

**IMPORTANT:**  
Read Before Using

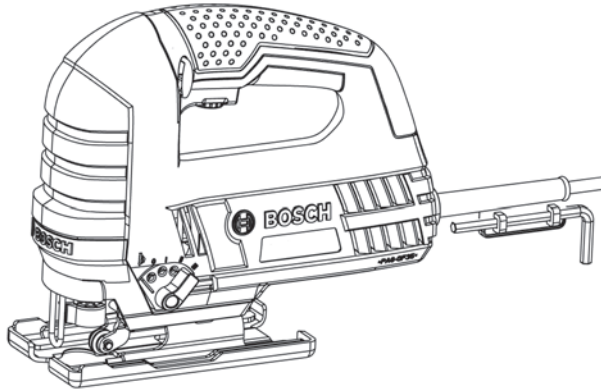
**IMPORTANT :**  
Lire avant usage

**IMPORTANTE:**  
Leer antes de usar



**Operating/Safety Instructions**  
**Consignes de fonctionnement/sécurité**  
**Instrucciones de funcionamiento y seguridad**

**JS260**



**BOSCH**

**Call Toll Free for  
Consumer Information  
& Service Locations**

**Pour obtenir des informations  
et les adresses de nos centres  
de service après-vente,  
appelez ce numéro gratuit**

**Llame gratis para  
obtener información  
para el consumidor y  
ubicaciones de servicio**

**1-877-BOSCH99 (1-877-267-2499) [www.boschtools.com](http://www.boschtools.com)**

**For English Version  
See page 2**

**Version française  
Voir page 13**

**Versión en español  
Ver la página 24**

## General Power Tool Safety Warnings

**⚠ WARNING** Read all safety warnings and all instructions. Failure to follow the warnings and instructions may result in electric shock, fire and/or serious injury.

### SAVE ALL WARNINGS AND INSTRUCTIONS FOR FUTURE REFERENCE

The term “power tool” in the warnings refers to your mains-operated (corded) power tool or battery-operated (cordless) power tool.

#### Work area safety

**Keep work area clean and well lit.** Cluttered or dark areas invite accidents.

**Do not operate power tools in explosive atmospheres, such as in the presence of flammable liquids, gases or dust.** Power tools create sparks which may ignite the dust or fumes.

**Keep children and bystanders away while operating a power tool.** Distractions can cause you to lose control.

#### Electrical safety

**Power tool plugs must match the outlet. Never modify the plug in any way. Do not use any adapter plugs with earthed (grounded) power tools.** Unmodified plugs and matching outlets will reduce risk of electric shock.

**Avoid body contact with earthed or grounded surfaces such as pipes, radiators, ranges and refrigerators.** There is an increased risk of electric shock if your body is earthed or grounded.

**Do not expose power tools to rain or wet conditions.** Water entering a power tool will increase the risk of electric shock.

**Do not abuse the cord. Never use the cord for carrying, pulling or unplugging the power tool. Keep cord away from heat, oil, sharp edges or moving parts.** Damaged or entangled cords increase the risk of electric shock.

**When operating a power tool outdoors, use an extension cord suitable for outdoor use.** Use of a cord suitable for outdoor use reduces the risk of electric shock.

**If operating a power tool in a damp location is unavoidable, use a Ground Fault Circuit Interrupter (GFCI) protected supply.** Use of an GFCI reduces the risk of electric shock.

#### Personal safety

**Stay alert, watch what you are doing and use common sense when operating a**

**power tool. Do not use a power tool while you are tired or under the influence of drugs, alcohol or medication.** A moment of inattention while operating power tools may result in serious personal injury.

**Use personal protective equipment. Always wear eye protection.** Protective equipment such as dust mask, non-skid safety shoes, hard hat, or hearing protection used for appropriate conditions will reduce personal injuries.

**Prevent unintentional starting. Ensure the switch is in the off-position before connecting to power source and / or battery pack, picking up or carrying the tool.** Carrying power tools with your finger on the switch or energizing power tools that have the switch on invites accidents.

**Remove any adjusting key or wrench before turning the power tool on.** A wrench or a key left attached to a rotating part of the power tool may result in personal injury.

**Do not overreach. Keep proper footing and balance at all times.** This enables better control of the power tool in unexpected situations.

**Dress properly. Do not wear loose clothing or jewelry. Keep your hair, clothing and gloves away from moving parts.** Loose clothes, jewelry or long hair can be caught in moving parts.

**If devices are provided for the connection of dust extraction and collection facilities, ensure these are connected and properly used.** Use of dust collection can reduce dust-related hazards.

#### Power tool use and care

**Do not force the power tool. Use the correct power tool for your application.** The correct power tool will do the job better and safer at the rate for which it was designed.

**Do not use the power tool if the switch does not turn it on and off.** Any power tool that cannot be controlled with the switch is dangerous and must be repaired.



**Disconnect the plug from the power source and/or the battery pack from the power tool before making any adjustments, changing accessories, or storing power tools.** Such preventive safety measures reduce the risk of starting the power tool accidentally.

**Store idle power tools out of the reach of children and do not allow persons unfamiliar with the power tool or these instructions to operate the power tool.** Power tools are dangerous in the hands of untrained users.

**Maintain power tools. Check for misalignment or binding of moving parts, breakage of parts and any other condition that may affect the power tool's operation. If damaged, have the power tool repaired before use.** Many accidents are caused by poorly maintained power tools.

**Keep cutting tools sharp and clean.** Properly maintained cutting tools with sharp cutting edges are less likely to bind and are easier to control.

**Use the power tool, accessories and tool bits etc. in accordance with these instructions, taking into account the working conditions and the work to be performed.** Use of the power tool for operations different from those intended could result in a hazardous situation.

### Service

**Have your power tool serviced by a qualified repair person using only identical replacement parts.** This will ensure that the safety of the power tool is maintained.

## Safety Rules for Jigsaws

**Hold power tool by insulated gripping surfaces, when performing an operation where the cutting accessory may contact hidden wiring or its own cord.** Cutting accessory contacting a "live" wire may make exposed metal parts of the power tool "live" and could give the operator an electric shock.

**Use clamps or another practical way to secure and support the workpiece to a stable platform.** Holding the work by your hand or against the body leaves it unstable and may lead to loss of control.

**Do not drill, fasten or break into existing walls or other blind areas where electrical wiring may exist.** If this situation is unavoidable, disconnect all fuses or circuit breakers feeding this worksite.

**Never leave the trigger locked "ON". Before plugging the tool in, check that the trigger lock is "OFF".** Accidental start-ups could cause injury.

**Be aware of the location and setting of the switch "Lock-ON" button.** If the switch is locked "ON" during the use, be ready for emergency situations to switch it "OFF", by first pulling the trigger then immediately releasing it without pressing the "Lock-ON" button.

**Keep hands away from cutting area. Do not reach under the material being cut.** The proximity of the blade to your hand is hidden from your sight.

**Keep hands from between the gear housing and saw blade holder.** The reciprocating blade holder can pinch your fingers.

**Do not use dull or damaged blades.** Bent blade can break easily or cause kickback.

**Before starting to cut, turn tool "ON" and allow the blade to come to full speed.** Tool can chatter or vibrate if blade speed is too slow at beginning of cut and possibly kickback.

**Always wear safety goggles or eye protection when using this tool. Use a dust mask or respirator for applications which generate dust.**

**Secure material before cutting. Never hold it in your hand or across legs.** Small or thin material may flex or vibrate with the blade, causing loss of control.

**Make certain all adjusting screws and the blade holder are tight before making a cut.** Loose adjusting screws and holders can cause the tool or blade to slip and loss of control may result.



**When removing the blade from the tool avoid contact with skin and use proper protective gloves when grasping the blade or accessory.** Accessories may be hot after prolonged use.

**If your tool is equipped with a dust bag, empty it frequently and after completion of sawing.** Spontaneous combustion, may in time, result from mixture of oil or water with dust particles. Be extremely careful of dust disposal, materials in fine particle form may be explosive. Do not throw contents on an open fire.

## Additional Safety Warnings

GFCI and personal protection devices like electrician's rubber gloves and footwear will further enhance your personal safety.

**Do not use AC only rated tools with a DC power supply.** While the tool may appear to work, the electrical components of the AC rated tool are likely to fail and create a hazard to the operator.

**Keep handles dry, clean and free from oil and grease.** Slippery hands cannot safely control the power tool.

**Develop a periodic maintenance schedule for your tool. When cleaning a tool be careful not to disassemble any portion of the tool since internal wires may be misplaced or pinched or safety guard return springs may be improperly mounted.** Certain cleaning agents such as gasoline, carbon tetrachloride, ammonia, etc. may damage plastic parts.

Risk of injury to user. The power cord must only be serviced by a Bosch Factory Service Center or Authorized Bosch Service Station.



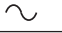
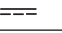


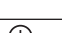





**⚠ WARNING** **Some dust created by power sanding, sawing, grinding, drilling, and other construction activities contains chemicals known to cause cancer, birth defects or other reproductive harm. Some examples of these chemicals are:**

- Lead from lead-based paints,
- Crystalline silica from bricks and cement and other masonry products, and
- Arsenic and chromium from chemically-treated lumber.

Your risk from these exposures varies, depending on how often you do this type of work. To reduce your exposure to these chemicals: work in a well ventilated area, and work with approved safety equipment, such as those dust masks that are specially designed to filter out microscopic particles.

## Symbols

**IMPORTANT:** Some of the following symbols may be used on your tool. Please study them and learn their meaning. Proper interpretation of these symbols will allow you to operate the tool better and safer.

Symbol	Name	Designation/Explanation
V	Volts	Voltage (potential)
A	Amperes	Current
Hz	Hertz	Frequency (cycles per second)
W	Watt	Power
kg	Kilograms	Weight
min	Minutes	Time
s	Seconds	Time
$\varnothing$	Diameter	Size of drill bits, grinding wheels, etc.
$n_0$	No load speed	Rotational speed, at no load
n	Rated speed	Maximum attainable speed
.../min	Revolutions or reciprocation per minute	Revolutions, strokes, surface speed, orbits etc. per minute
0	Off position	Zero speed, zero torque...
1, 2, 3, ... I, II, III,	Selector settings	Speed, torque or position settings. Higher number means greater speed
	Infinitely variable selector with off	Speed is increasing from 0 setting
	Arrow	Action in the direction of arrow
	Alternating current	Type or a characteristic of current
	Direct current	Type or a characteristic of current
	Alternating or direct current	Type or a characteristic of current
	Class II construction	Designates Double Insulated Construction tools.
	Earthing terminal	Grounding terminal
	Warning symbol	Alerts user to warning messages
	Li-ion RBRC seal	Designates Li-ion battery recycling program
	Ni-Cad RBRC seal	Designates Ni-Cad battery recycling program
	Read manual symbol	Alerts user to read manual
	Wear eye protection symbol	Alerts user to wear eye protection



## Symbols (continued)

**IMPORTANT:** Some of the following symbols may be used on your tool. Please study them and learn their meaning. Proper interpretation of these symbols will allow you to operate the tool better and safer.



This symbol designates that this tool is listed by Underwriters Laboratories.



This symbol designates that this tool is recognized by Underwriters Laboratories.



This symbol designates that this tool is listed by Underwriters Laboratories, to United States and Canadian Standards.



This symbol designates that this tool is listed by the Canadian Standards Association.



This symbol designates that this tool is listed by the Canadian Standards Association, to United States and Canadian Standards.



This symbol designates that this tool is listed by the Intertek Testing Services, to United States and Canadian Standards.



This symbol designates that this tool complies to NOM Mexican Standards.

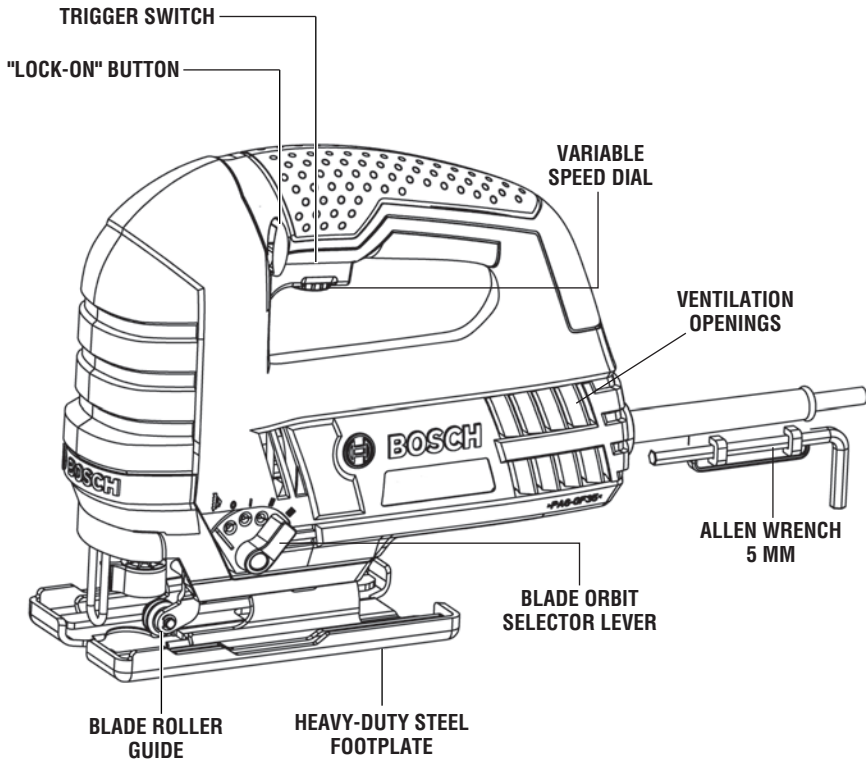


## Functional Description and Specifications

**⚠ WARNING** Disconnect the plug from the power source before making any assembly, adjustments or changing accessories. Such preventive safety measures reduce the risk of starting the tool accidentally.

### Jigsaw

**FIG. 1**



Model number JS260

**NOTE:** For tool specifications refer to the nameplate on your tool.

## Assembly

### BLADE INSTALLATION AND REMOVAL

**CAUTION** To prevent damage, do not turn blade ejector lever when there is no blade in the blade clamp or when inserting the blade.

#### BLADE INSTALLATION

Insert the saw blade (teeth in cutting direction) into the slot in the blade clamp until the blade ejector lever rotates to the LEFT, indicating that the clamp has engaged. (When inserting the saw blade, the back of the blade must rest in the groove of the guide roller Fig. 2.)

#### BLADE EJECTION

The tool should be held so that the blade is safely ejected. To remove the saw blade, rotate the blade ejector lever to the center stop to the RIGHT; this releases and ejects the saw blade (Fig. 3).

**BLADE CLAMP RESET – There are two situations in which it is necessary to reset the blade clamp:**

**RESET Type A:** If the blade ejection lever is rotated improperly, the “fingers” within the clamp may slip into the blade insert slot. To reset the clamp:

**Step 1** – Using a screwdriver, push down on blade clamp fingers (as viewed from the bottom of the jig saw), until clamp can be rotated.

**Step 2** – Rotate blade ejector lever to the RIGHT until it locks into place.

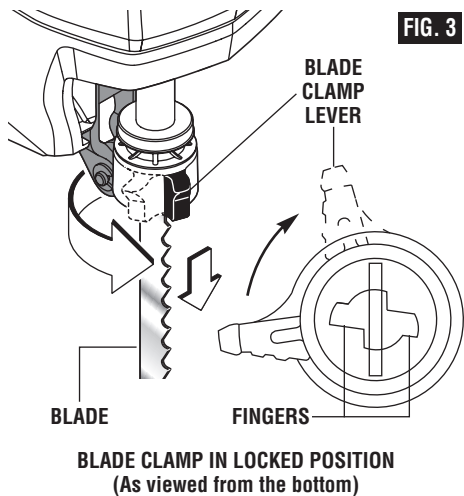
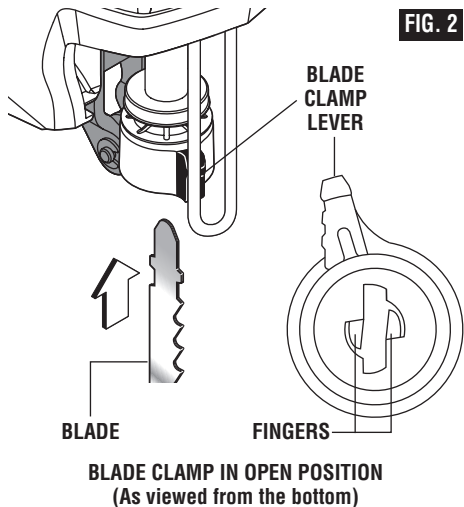
The clamp is now ready for use.

**RESET Type B:** If the two fingers inside the blade clamp accidentally get pushed too far into the plunger, they will prevent insertion of a blade. To bring the fingers back to their correction positions:

**Step 1** – Turn the blade ejector lever to the RIGHT (as viewed from the bottom of the jig saw)

**Step 2** – Continue the rotation unto fingers will snap into the correct open position.

The clamp is now ready for use.



## Operating Instructions

### VARIABLE SPEED CONTROLLED TRIGGER SWITCH

Your tool is equipped with a variable speed trigger switch. The tool can be turned "ON" or "OFF" by squeezing or releasing the trigger. The speed can

be adjusted from the minimum to maximum RPM as set on the variable speed dial by the pressure you apply to the trigger. Apply more pressure to increase the speed and release pressure to decrease speed (Fig. 1).



**"LOCK-ON" BUTTON**

The "Lock-ON" button, located in the handle of your tool allows for continuous operation at maximum RPM without holding the trigger (Fig. 1).

TO LOCK TRIGGER "ON": squeeze trigger, depress button and release trigger.




TO UNLOCK THE TRIGGER: squeeze trigger and release it without depressing the "Lock-ON" button.

**WARNING** If the "Lock-ON" button is continuously being depressed, the trigger can not be released.

**VARIABLE SPEED DIAL**

Your Jigsaw is also equipped with a variable speed dial. The blade maximum stroke rate may be adjusted during cutting operation by presetting the dial on or between any one of the six numbers (Fig. 1).

**Setting**

-  Low stroke rate
-  Medium stroke rate
-  High stroke rate

**PLUNGER SPEED**

The jigsaw cutting speed or stroke rate required depends on the material being cut, the type of blade used, and the feed rate preferred by the operator. The best speed for a particular application is largely determined by experience,

though as a general rule, slower speeds are for denser materials and faster speeds for soft materials. Note that when the jigsaw is used at low speed settings for any length of time, the motor temperature will rise due to the slower speed of the internal cooling fan. In such cases, it is necessary to occasionally run the tool at full speed for a few minutes to keep the motor operating at high efficiency.

**BLADE ORBIT**

Maximum cutting efficiency can be obtained by adjusting the blade orbit selector lever to suit the material being cut (Fig. 1). The following chart will help you determine which setting to use for your application. This chart is intended as a guideline only, and test cuts in scrap material should be performed first to determine the best setting.

- 0 hard materials such as metals or thin sheet metals and used with knife blades, grit edge blades or rasp work
- I soft materials where cleaner cutting or delicate scrolling work is performed
- II medium density materials such as harder woods or particle board
- III soft materials such as wood, plastics, etc.

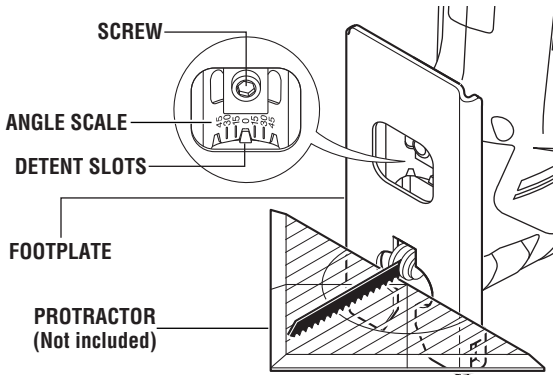
**CHIP BLOWER**

Your jigsaw is equipped with an always-on blower to help keep the cutting line clear of chips.

**FOOTPLATE ANGLE ADJUSTMENT**

The footplate may be tilted to allow angle cuts up to 45° in either direction. To adjust footplate, loosen screw with 5 mm allen wrench, slide the footplate towards the back of the tool, and rotate to the desired angle, as marked on the

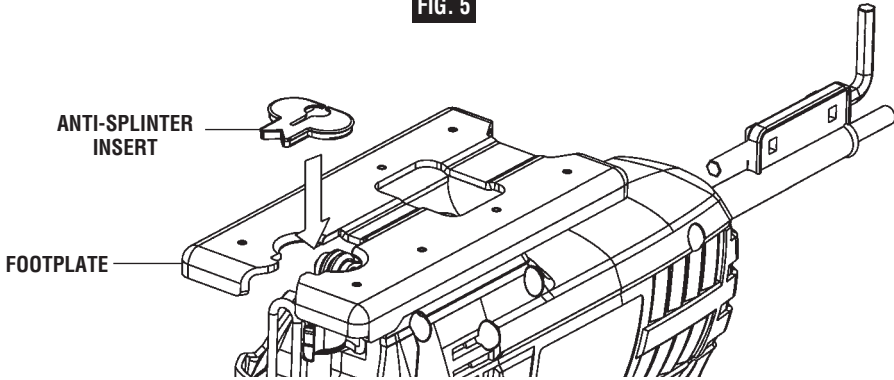
angle scale (Fig. 4). Detent slots will hold the footplate firmly at 45°, and there are additional position marks for 15° and 30° angles. Intermediate angles may be set with a protractor. After positioning the footplate, securely tighten screw).



**ANTI-SPLINTER INSERT**

To minimize splintering of the top surface of the material being cut, place the anti-splinter insert in the blade opening of the footplate (Fig. 5).

**Note:** This insert will only work with blades that have ground sides such as T301CD, T101B, T101D, and T101DP.

**FIG. 5****Tool Tips**

Always be certain that smaller workpieces are securely fastened to a bench or other support. Larger panels may be held in place by clamps on a bench or sawhorses.

To begin a cut, clearly mark the cutting line, and rest the front of the footplate on the work. Engage the switch, and move the blade into the work using only enough forward pressure to keep the blade cutting steadily. **DO NOT FORCE**, as this will not make the saw cut faster; let the blade do the work.

When cutting metal, it is often advisable to use a lubricant to cool the blade and extend its life.

Choose blades carefully, as the ability of the jigsaw to follow curves, provides smoother finishes, or faster cutting is directly related to the type of blade used.

**BLADE SELECTION**

- Choose blades carefully, as the ability of the jigsaw to make the fastest cuts, to follow tight curves, to achieve the smoothest finish and/or to maximize the life of the blade are directly related to the type of blade used.
- Always use a blade that is appropriate for the cutting task.
- Always make a test cut in a piece of scrap material.

- Most jigsaw blades have upward-pointing teeth, which helps to pull the jigsaw against the workpiece and minimizes vibration. Blades with upward-pointing teeth produce a clean cut on the bottom of the workpiece.

- Blades with downward-pointing teeth (reverse-tooth blade) can be used to produce a clean cut on the top of the workpiece (that side that faces the jigsaw's footplate), such as when cutting an already-installed countertop from the top. When using reverse-tooth blades, downward force must be applied to the jigsaw.

- Blades with teeth that point straight out (rather than up or down) allow splinter-free cutting on both sides of the workpiece. When using such blades, downward force must be applied to the jigsaw.

- The following types of blades should only be used with orbital Setting O:

1. Blades with teeth that point downward (reverse-tooth blades).
2. Blades with teeth that point straight out rather than up or down.
3. Carbide-tipped blades.
4. Grit-edge blades.

### PLUNGE CUTTING

Plunge cutting is useful and time-saving in making rough openings in softer materials. It is not necessary to drill a hole for an inside or pocket cut. Draw lines for the opening, hold the saw firmly, tilt it forward so that the toe of the saw foot rests on the work, but with the blade well clear of the work. Start the motor, and then very gradually lower the blade. When it touches, continue pressing down on the toe of the saw foot slowly pivoting the saw like a hinge until the blade cuts through and the foot rests flat on the work. Then saw ahead on the cutting line. We do not recommend plunge cutting with a scroll blade (Fig. 6).

To make sharp corners, cut up to the corner, then back up slightly before rounding the corner. After the opening is complete, go back to each corner and cut it from the opposite direction to square it off. Do not try to plunge cut into hard materials such as steel.

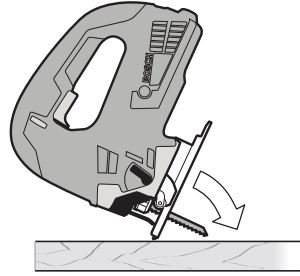
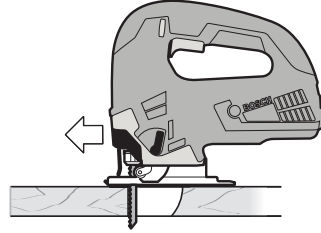


FIG. 6



## Maintenance

### Service

**⚠ WARNING** Preventive maintenance performed by unauthorized personnel may result in misplacing of internal wires and components which could cause serious hazard. We recommend that all tool service be performed by a Bosch Factory Service Center or Authorized Bosch Service Station.

### TOOL LUBRICATION

Your Bosch tool has been properly lubricated and is ready to use. It is recommended that tools with gears be regreased with a special gear lubricant at every brush change.

### CARBON BRUSHES

The brushes and commutator in your tool have been engineered for many hours of dependable service. To maintain peak efficiency of the motor, we recommend every two to six months the brushes be examined. Only genuine Bosch replacement brushes specially designed for your tool should be used.

### BEARINGS

Bearings which become noisy (due to heavy load or very abrasive material cutting) should be replaced at once to avoid overheating or motor failure.

### Cleaning

**⚠ WARNING** To avoid accidents always disconnect the tool from the power supply before cleaning or performing any maintenance. The tool may be cleaned most effectively with compressed dry air. **Always wear safety goggles when cleaning tools with compressed air.**

Ventilation openings and switch levers must be kept clean and free of foreign matter. Do not attempt to clean by inserting pointed objects through openings.

**⚠ CAUTION** Certain cleaning agents and solvents damage plastic parts. Some of these are: gasoline, carbon tetrachloride, chlorinated cleaning solvents, ammonia and household detergents that contain ammonia.

## Extension Cords

**⚠ WARNING** If an extension cord is necessary, a cord with adequate size conductors that is capable of carrying the current necessary for your tool must be used. This will prevent excessive voltage drop, loss of power or overheating. Grounded tools must use 3-wire extension cords that have 3-prong plugs and receptacles.

**NOTE:** The smaller the gauge number, the heavier the cord.

### RECOMMENDED SIZES OF EXTENSION CORDS 120 VOLT ALTERNATING CURRENT TOOLS

Tool's Ampere Rating	Cord Size in A.W.G.				Wire Sizes in mm <sup>2</sup>			
	Cord Length in Feet				Cord Length in Meters			
	25	50	100	150	15	30	60	120
3-6	18	16	16	14	0.75	0.75	1.5	2.5
6-8	18	16	14	12	0.75	1.0	2.5	4.0
8-10	18	16	14	12	0.75	1.0	2.5	4.0
10-12	16	16	14	12	1.0	2.5	4.0	—
12-16	14	12	—	—	—	—	—	—

## Accessories

- \* Allen wrench 5mm
- \* Anti-splinter insert
- \*\* Carrying bag
- \*\* Wide array of jigsaw blades

(\* = standard equipment)

(\*\* = optional accessories)



## Avertissements généraux concernant la sécurité des outils électroportatifs

### **A** AVERTISSEMENT

**Veillez lire tous les avertissements et toutes les consignes de sécurité.** Si l'on n'observe pas ces avertissements et ces consignes de sécurité, il existe un risque de choc électrique, d'incendie et/ou de blessures corporelles graves.

### CONSERVEZ TOUS LES AVERTISSEMENTS ET TOUTES LES CONSIGNES DE SÉCURITÉ POUR RÉFÉRENCE FUTURE.

Dans les avertissements, le terme « outil électroportatif » se rapporte à votre outil branché sur le secteur (avec fil) ou à votre outil alimenté par piles (sans fil).

#### Sécurité du lieu de travail

**Maintenez le lieu de travail propre et bien éclairé.** Les risques d'accident sont plus élevés quand on travaille dans un endroit encombré ou sombre.

**N'utilisez pas d'outils électroportatifs dans des atmosphères explosives, comme par exemple en présence de gaz, de poussières ou de liquides inflammables.** Les outils électroportatifs produisent des étincelles qui risquent d'enflammer les poussières ou les vapeurs.

**Éloignez les enfants et les visiteurs quand vous vous servez d'un outil électroportatif.** Vous risquez une perte de contrôle si on vous distrait.

#### Sécurité électrique

**Les fiches des outils électroportatifs doivent correspondre à la prise. Il ne faut absolument jamais modifier la fiche. N'utilisez pas d'adaptateur de prise avec des outils électroportatifs munis d'une fiche de terre.** Le risque de choc électrique est moindre si on utilise une fiche non modifiée sur une prise qui lui correspond.

**Évitez tout contact du corps avec des surfaces reliées à la terre tels que tuyaux, radiateurs, gazinières ou réfrigérateurs.** Le risque de choc électrique augmente si votre corps est relié à la terre.

**N'exposez pas les outils électroportatifs à la pluie ou à l'humidité.** Si de l'eau pénètre dans un outil électroportatif, le risque de choc électrique augmente.

**Ne maltraitez pas le cordon. Ne vous en servez jamais pour transporter l'outil électroportatif, pour le tirer ou pour le débrancher. Éloignez le cordon de la chaleur, des huiles, des arêtes coupantes ou des pièces mobiles.** Les cordons abîmés ou emmêlés augmentent les risques de choc électrique.

**Si vous utilisez un outil électroportatif à l'extérieur, employez une rallonge conçue pour l'extérieur.** Ces rallonges sont faites pour l'extérieur et réduisent le risque de choc électrique.

**S'il est absolument nécessaire d'utiliser l'outil électroportatif dans un endroit humide, utilisez une alimentation protégée par un disjoncteur de fuite de terre (GFCI).** L'utilisation d'un disjoncteur GFCI réduit les risques de choc électrique.

#### Sécurité personnelle

**Restez concentré, faites attention à ce que vous faites, et servez-vous de votre bon sens lorsque vous utilisez un outil électroportatif. N'employez pas d'outils électroportatifs quand vous êtes fatigué ou sous l'emprise de drogues, d'alcool ou de médicaments.** Quand on utilise des outils électroportatifs, il suffit d'un moment d'inattention pour causer des blessures corporelles graves.

**Utilisez des équipements de sécurité personnelle. Portez toujours une protection oculaire.** Le port d'équipements de sécurité tels que des masques antipoussières, des chaussures de sécurité antidérapantes, des casques de chantier et des protecteurs d'oreilles dans des conditions appropriées réduira le risque de blessure corporelle.

**Évitez les démarrages intempestifs. Assurez-vous que l'interrupteur est dans la position arrêt (Off) avant de brancher l'outil dans une prise de courant et/ou un bloc-piles, de le ramasser ou de le transporter.** Le transport d'un outil électroportatif avec le doigt sur la gâchette ou le branchement de cet outil quand l'interrupteur est en position de marche (ON) est une invite aux accidents.

**Enlevez toutes les clés de réglage avant de mettre l'outil électroportatif en marche.** Si on laisse une clé sur une pièce tournante de l'outil électroportatif, il y a risque de blessure corporelle.

**Ne vous penchez pas. Conservez toujours une bonne assise et un bon équilibre.** Ceci vous permettra de mieux maîtriser l'outil électroportatif dans des situations inattendues.

**Habillez-vous de manière appropriée. Ne portez pas de vêtements amples ou de bijoux. Attachez les cheveux longs. N'approchez pas les cheveux, les vêtements ou les gants des pièces en mouvement.** Les vêtements amples, les bijoux ou les cheveux longs risquent d'être happés par les pièces en mouvement.

**Si l'outil est muni de dispositifs permettant le raccordement d'un système d'aspiration et de collecte des poussières, assurez-vous que ces dispositifs sont raccordés et utilisés correctement.** L'utilisation d'un dépoussiéreur peut réduire les dangers associés à l'accumulation de poussière.





## Utilisation et entretien des outils électroportatifs

**Ne forcez pas sur l'outil électroportatif. Utilisez l'outil électroportatif qui convient à la tâche à effectuer.** L'outil qui convient à la tâche fait un meilleur travail et est plus sûr à la vitesse pour lequel il a été conçu.

**Ne vous servez pas de l'outil électroportatif si son interrupteur ne parvient pas à le mettre en marche ou à l'arrêter.** Tout outil électroportatif qui ne peut pas être commandé par son interrupteur est dangereux et doit être réparé.

**Débranchez la fiche de la prise ou enlevez le bloc-pile de l'outil électroportatif avant tout réglage, changement d'accessoires ou avant de ranger l'outil électroportatif.** De telles mesures de sécurité préventive réduisent le risque de démarrage intempestif de l'outil électroportatif.

**Rangez les outils électroportatifs dont vous ne vous servez pas hors de portée des enfants et ne permettez pas à des personnes qui ne connaissent pas l'outil électroportatif ou qui ignorent ces consignes de s'en servir.** Les outils électroportatifs sont dangereux dans les mains d'utilisateurs inexpérimentés.

**Entretenez les outils électroportatifs. Vérifiez que les pièces mobiles sont alignées correctement et ne coincent pas. Vérifiez qu'il n'y a pas de pièces cassées ou d'autre circonstance qui risquent d'affecter le fonctionnement de l'outil électroportatif. Si l'outil est abîmé, faites-le réparer avant de l'utiliser.** De nombreux accidents sont causés par des outils électroportatifs mal entretenus.

**Maintenez les outils coupants affûtés et propres.** Les outils coupants entretenus correctement et dotés de bords tranchants affûtés sont moins susceptibles de coincer et sont plus faciles à maîtriser.

**Utilisez l'outil électroportatif, les accessoires et les embouts d'outil, etc. conformément à ces instructions, en tenant compte des conditions de travail et des travaux à réaliser.** L'emploi d'outils électroportatifs pour des tâches différentes de celles pour lesquelles ils ont été prévus peut résulter en une situation dangereuse.

### Entretien

**Faites réparer votre outil électroportatif par un agent de service qualifié n'utilisant que des pièces de rechange identiques.** Ceci assure que la sécurité de l'outil électroportatif est préservée.

## Consignes de sécurité pour les scies à chantourner

**Tenez l'outil électroportatif par ses surfaces de préhension isolées lorsque vous effectuez une opération à l'occasion de laquelle l'accessoire de coupe risque d'entrer en contact avec un fil caché ou avec son propre cordon d'alimentation.** Tout contact de l'accessoire de coupe avec un fil sous tension risque de mettre aussi sous tension les parties métalliques exposées de l'outil électroportatif, ce qui pourrait causer un choc électrique pour l'opérateur.

**Utilisez des brides ou d'autres moyens pratiques de brider ou de supporter la pièce sur une plate-forme stable.** Tenir la pièce à la main ou contre le corps la rend instable et risque de résulter en une perte de contrôle.

**Il ne faut pas percer, assujettir ou casser des murs ou d'autres structures sans visibilité à l'intérieur desquels des fils électriques peuvent se trouver.** S'il n'est pas possible d'éviter une telle situation, déconnectez tous les fusibles ou disjoncteurs des circuits alimentant ce lieu de travail.

**Ne laissez jamais la gâchette verrouillée en position de marche (« ON »).** Avant de brancher l'outil, assurez-vous que le verrou de la gâchette est dans la

position « OFF » (Désactivée). Des mises en marche accidentelles risqueraient de causer des blessures.

**Assurez-vous que vous savez toujours où se trouve le bouton de l'interrupteur « Lock-ON » (Verrouillage activé) et dans quelle position il se trouve.** Si l'interrupteur est verrouillé dans la position « ON » (Activée) pendant l'emploi de l'outil, soyez prêt à le faire passer dans la position « OFF » (Désactivée) en cas d'urgence ; pour ce faire, tirez d'abord sur la gâchette, puis relâchez-la immédiatement sans appuyer sur le bouton « Lock-ON » (Verrouillage activé).

**Gardez les mains à distance de la zone de coupe. Ne mettez pas une main au-dessous du matériau que vous êtes en train de couper.** La distance entre la lame et votre main ne serait pas visible.

**Ne mettez pas les mains entre le carter d'engrenage et le porte-lame de la scie.** Le porte-lame de la scie alternative risquerait de vous pincer les doigts.

**N'utilisez pas de lames émoussées ou endommagées.** Une lame courbée risque de se casser facilement ou de produire un effet de rebond.

**Avant de commencer à couper, mettez l'outil en marche (« ON ») et attendez que la lame tourne à**





**pleine vitesse.** L'outil risque de trembler ou de vibrer si la lame tourne trop lentement au début de la coupe et de produire un effet de rebond.

**Portez toujours des lunettes de sécurité ou un dispositif de protection des yeux lorsque vous utilisez cet outil. Utilisez un masque antipoussières ou un respirateur pour les applications qui produisent de la poussière.**

**Assujettissez le matériau avant de le couper. Ne le tenez jamais entre vos mains ou sur vos genoux.** Les petits morceaux de matériau ou les matériaux minces peuvent se courber ou vibrer avec la lame, ce qui risquerait de causer une perte de contrôle de l'outil.

**Assurez-vous que toutes les vis de réglage et le porte-lame sont bien serrés avant de commencer une coupe.** Les vis de réglage et les porte-lame lâches

risquent de causer le dérapage de l'outil ou de la lame, ce qui peut produire une perte de contrôle.

**Lorsque vous retirez la lame de l'outil, évitez tout contact avec la peau et utilisez des gants de protection appropriés pour saisir la lame ou l'accessoire.** Les accessoires risquent d'être chauds après une utilisation prolongée.

**Si votre outil est muni d'un sac à poussière, videz-le fréquemment et après avoir fini de scier.** Une combustion spontanée peut se produire au bout d'un certain temps en conséquence du mélange d'huile ou d'eau avec des particules de poussière. Prenez les précautions nécessaires quand vous jetez de la poussière car des matériaux décomposés en fines particules risquent d'être explosifs. Ne jetez pas le contenu du sac sur des flammes vives.

## Avertissements supplémentaires concernant la sécurité

L'emploi d'un GFCI et de dispositifs de protection personnelle tels que gants et chaussures d'électricien en caoutchouc améliorent votre sécurité personnelle.

**N'utilisez pas un outil conçu uniquement pour le C.A. sur une alimentation en C.C.** Même si l'outil semble fonctionner, les composants électriques d'un outil prévu pour le C.A. tomberont probablement en panne et risquent de créer un danger pour l'utilisateur.

**Maintenez les poignées sèches et exemptes d'huile et de graisse.** On ne pas maîtriser un outil électroportatif en toute sécurité quand on a les mains glissantes.

**Créez un agenda d'entretien périodique pour votre outil. Quand vous nettoyez un outil, faites attention de n'en démonter aucune pièce car il est toujours possible de mal remonter ou de pincer les fils internes ou de remonter incorrectement les ressorts de rappel des capots de protection.** Certains agents de nettoyage tels que l'essence, le tétrachlorure de carbone, l'ammoniaque, etc. risquent d'abîmer les plastiques.

Risque de blessure pour l'utilisateur. Le cordon d'alimentation électrique ne doit être réparé que par un Centre de service usine de Bosch ou par une Station service agréée de Bosch.

**⚠ AVERTISSEMENT** Les travaux à la machine tel que ponçage, sciage, meulage, perçage et autres travaux du bâtiment peuvent créer des poussières contenant des produits chimiques qui sont des causes reconnues de cancer, de malformation congénitale ou d'autres problèmes reproductifs. Ces produits chimiques sont, par exemple :



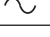
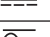








- Le plomb provenant des peintures à base de plomb,
- Les cristaux de silices provenant des briques et du ciment et d'autres produits de maçonnerie, et
- L'arsenic et le chrome provenant des bois traités chimiquement.

Le niveau de risque dû à cette exposition varie avec la fréquence de ces types de travaux. Pour réduire l'exposition à ces produits chimiques, il faut travailler dans un lieu bien ventilé et porter un équipement de sécurité approprié tel que certains masques à poussière conçus spécialement pour filtrer les particules microscopiques.



## Symboles

**IMPORTANT** : Certains des symboles suivants peuvent être utilisés sur votre outil. Veuillez les étudier et apprendre leur signification. Une interprétation appropriée de ces symboles vous permettra d'utiliser l'outil de façon plus efficace et plus sûre.

Symbole	Nom	Désignation/Explication
V	Volts	Tension (potentielle)
A	Ampères	Courant
Hz	Hertz	Fréquence (cycles par seconde)
W	Watt	Puissance
kg	Kilogrammes	Poids
min	Minutes	Temps
s	Secondes	Temps
∅	Diamètre	Taille des mèches de perceuse, meules, etc.
$n_0$	Vitesse à vide	Vitesse de rotation, à vide
n	Vitesse nominale	Vitesse maximum pouvant être atteinte
.../min	Tours ou mouvement alternatif par minute	Tours, coups, vitesse en surface, orbites, etc., par minute
0	Position d'arrêt	Vitesse zéro, couple zéro ...
1, 2, 3, ... I, II, III, ...	Réglages du sélecteur	Réglages de vitesse, de couple ou de position. Un nombre plus élevé signifie une vitesse plus grande
	Sélecteur variable à l'infini avec arrêt	La vitesse augmente depuis le réglage 0
	Flèche	Action dans la direction de la flèche
	Courant alternatif	Type ou caractéristique du courant
	Courant continu	Type ou caractéristique du courant
	Courant alternatif ou continu	Type ou caractéristique du courant
	Construction classe II	Désigne des outils construits avec double isolation
	Borne de terre	Borne de mise à la terre
	Symbole d'avertissement	Alerte l'utilisateur aux messages d'avertissement.
	Sceau Li-ion RBRC	Désigne le programme de recyclage des piles Li-ion.
	Sceau Ni-Cad RBRC	Désigne le programme de recyclage des piles Ni-Cad.
	Symbole de lecture du mode d'emploi	Alerte l'utilisateur pour lire le mode d'emploi
	Symbole de port de lunettes de sécurité	Alerte l'utilisateur pour porter des lunettes de sécurité



## Symboles (suite)

**IMPORTANT :** Certains des symboles suivants peuvent être utilisés sur votre outil. Veuillez les étudier et apprendre leur signification. Une interprétation appropriée de ces symboles vous permettra d'utiliser l'outil de façon plus efficace et plus sûre.



Ce symbole signifie que cet outil est approuvé par Underwriters Laboratories.



Ce symbole indique que cet outil est reconnu par Underwriters Laboratories.



Ce symbole signifie que cet outil est approuvé par Underwriters Laboratories selon les normes des États-Unis et du Canada.



Ce symbole signifie que cet outil est approuvé par l'Association canadienne de normalisation.



Ce symbole signifie que cet outil est approuvé par l'Association canadienne de normalisation selon les normes des États-Unis et du Canada.



Ce symbole signifie que cet outil est approuvé par Intertek Testing Services selon les normes des États-Unis et du Canada.



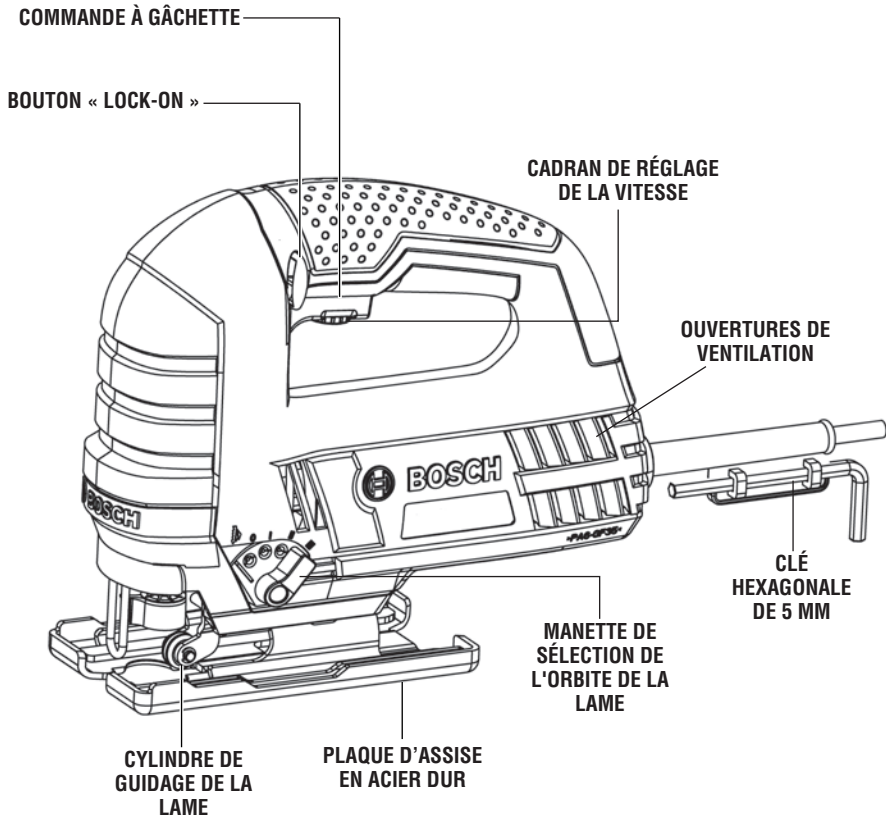
Ce symbole signifie que cet outil se conforme aux normes mexicaines NOM.

## Description fonctionnelle et spécifications

**⚠ AVERTISSEMENT** Débranchez la fiche de la prise de courant avant d'effectuer quelque assemblage ou réglage que ce soit ou de changer les accessoires. Ces mesures de sécurité préventive réduisent le risque d'une mise en marche accidentelle de l'outil.

### Scie à chantourner

FIG. 1



Numéro de modèle

JS260

**REMARQUE :** Pour spécifications de l'outil, reportez-vous à la plaque signalétique de votre outil.

## Assemblage

**MISE EN GARDE** Pour éviter tout risque de dommage, ne tournez pas le levier de l'éjecteur de lame quand il n'y a pas de lame dans la bride de fixation de lame ou pendant que vous insérez la lame.

### INSTALLATION DE LA LAME

Insérez la lame de la scie (avec les dents positionnées dans le sens de la coupe) dans la fente de la bride de fixation de lame jusqu'à ce que le levier de l'éjecteur de lame tourne vers la GAUCHE, ce qui indique que la bride s'est engagée. (Lors de l'insertion de la lame de la scie, l'arrière de la lame doit reposer dans la rainure du galet de guidage Fig.2.)

### ÉJECTION DE LA LAME

L'outil doit être tenu de telle sorte que la lame puisse être éjectée sans danger. Pour enlever la lame de la scie, tournez le levier de l'éjecteur de la lame vers la butée centrale à DROITE ; ceci libère et éjecte la lame de la scie (Fig. 3).

**REMISE DE LA BRIDE DE FIXATION DE LAME DANS SA POSITION INITIALE** – Il existe deux situations dans lesquelles il est nécessaire de remettre la bride de fixation de lame dans sa position initiale :

**RÉINITIALISATION de type A** – Si le levier d'éjection de la lame a été tourné de façon incorrecte, les « doigts » dans la bride de fixation risquent de glisser dans la fente d'insertion de la lame. Pour remettre la bride de fixation dans sa position initiale :

**Première étape** – En utilisant un tournevis, appuyez sur les doigts de la bride de fixation de la lame (en regardant depuis le bas de la scie sauteuse) jusqu'à ce que la bride de fixation puisse tourner.

**Deuxième étape** – Faites tourner le levier de l'éjecteur de la lame vers la DROITE jusqu'à ce qu'il se bloque en place.

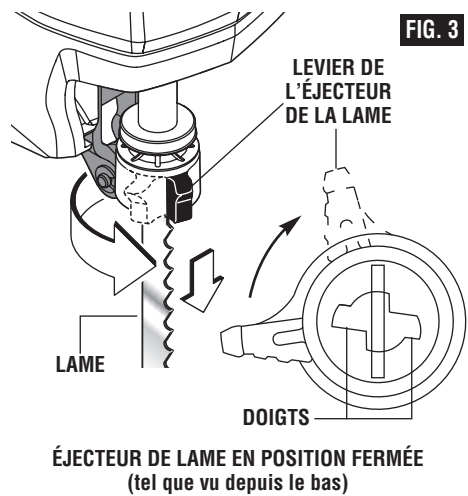
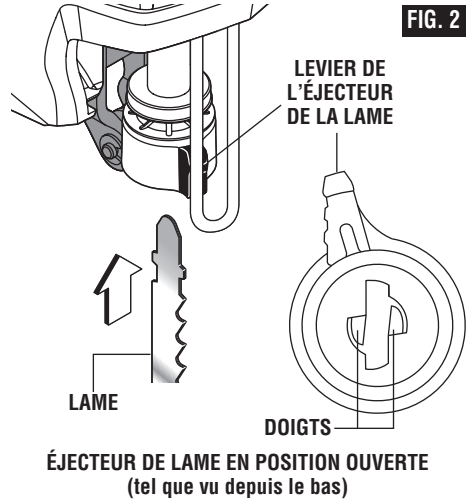
La bride de fixation est alors prête à être utilisée.

**RÉINITIALISATION de type B** : Si les deux doigts à l'intérieur de la bride de fixation de la lame sont poussés accidentellement trop loin à l'intérieur du piston, ils empêcheront toute insertion de lame. Pour remettre les doigts dans leurs positions correctes :

**Première étape** – Faites tourner le levier de l'éjecteur de la lame vers la DROITE (en regardant depuis le bas de la scie sauteuse).

**Deuxième étape** – Continuez la rotation jusqu'à ce que les doigts se coincent dans la position ouverte correcte.

La bride de fixation est alors prête à être utilisée.



## Instructions d'utilisation

### COMMANDE À GÂCHETTE À VITESSE VARIABLE

Votre outil est muni d'une commande à gâchette à vitesse variable. L'outil peut être mis en marche (« ON ») ou éteint (« OFF ») en comprimant ou en relâchant la gâchette. La vitesse (en tr/mn) peut être ajustée de la valeur minimum à la valeur maximum indiquée sur le

cadran de réglage de la vitesse de fonctionnement de la lame en appliquant une pression différente sur la gâchette. Augmentez la pression pour élever la vitesse de fonctionnement ou réduisez la pression pour abaisser la vitesse de fonctionnement (Fig. 1).

**BOUTON « LOCK-ON »**

Le bouton « Lock-On » (Verrouillage activé), situé dans la poignée de votre outil, permet un fonctionnement continu à la vitesse maximum sans que vous n'ayez besoin de continuer à maintenir la pression sur la gâchette (Fig. 1).

**POUR VERROUILLER LA GÂCHETTE EN POSITION DE MARCHÉ (« ON ») :** comprimez la gâchette, appuyez sur le bouton et relâchez la gâchette.

**POUR DÉVERROUILLER LA GÂCHETTE :** comprimez la gâchette et relâchez-la sans appuyer sur le bouton « Lock-On ».

**⚠ AVERTISSEMENT** Si le bouton « Lock-On » est enfoncé continuellement, il n'est pas possible de relâcher la gâchette.

**CADRAN DE RÉGLAGE DE LA VITESSE DE FONCTIONNEMENT DE LA LAME**

Votre scie à chantourner est munie d'un cadran de réglage de la vitesse. Le rythme de fonctionnement de la lame peut être ajusté pendant l'opération de coupe en réglant à l'avance le cadran sur l'un de ces six chiffres (ou même entre deux chiffres Fig. 1).

**Réglage**

-  Vitesse lente
-  Vitesse moyenne
-  Vitesse rapide

**VITESSE DU PISTON**

La vitesse de coupe (ou cadence) de la scie à chantourner dépend du matériau à couper, du type de lame utilisé et de la vitesse d'alimentation en matériau préféré par l'opérateur. La vitesse idéale pour une application donnée est déterminée dans une large

mesure par l'expérience, même si, en règle générale, les vitesses plus lentes conviennent mieux aux matériaux les plus denses et les vitesses plus rapides sont plus appropriées pour les matériaux doux. Notez que quand la scie à chantourner est utilisée à basse vitesse pendant une période prolongée, la température du moteur augmente en raison de la vitesse plus faible du ventilateur de refroidissement interne. Dans de tels cas, il est nécessaire de faire fonctionner l'outil à haute vitesse pendant quelques minutes de temps en temps afin de permettre au moteur de continuer à fonctionner au rendement maximum.

**ORBITE DE LA LAME**

Pour obtenir le rendement de coupe maximum, ajustez la manette de sélection de l'orbite de la lame en fonction du matériau qui doit être coupé (Fig. 1). Le tableau suivant vous aidera à déterminer quel réglage utiliser pour votre application. Ce tableau n'est conçu qu'à titre informatif, et il est recommandé de faire des coupes de test dans des résidus de matériaux pour pouvoir déterminer le meilleur réglage.

- 0 matériaux durs tels que des métaux ou des tôles fines, avec utilisation de couteaux, de lames à bord abrasif ou de râpes
- I matériaux doux pour des coupes plus nettes ou avec des lames de scie à ruban étroites délicates
- II matériaux de densité intermédiaire tels que des bois plus durs ou des panneaux de particules
- III matériaux doux tels que le bois, le plastique, etc.

**SOUFFLANTE DE COPEAUX**

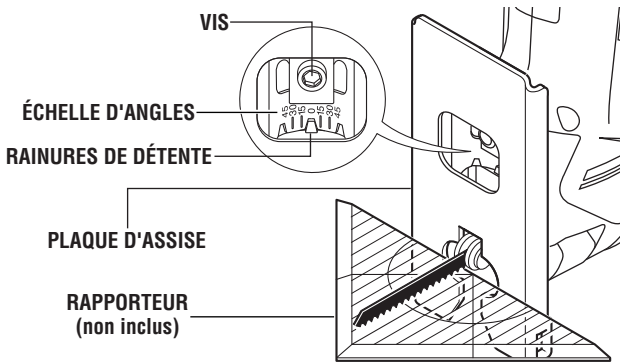
Votre scie à chantourner est munie d'une soufflante de copeaux qui est constamment en marche pour vous aider à déblayer les copeaux de la ligne de coupe.

**RÉGLAGE DE L'ANGLE DE LA PLAQUE D'ASSISE**

La plaque d'assise peut être inclinée pour permettre des angles de coupe pouvant aller jusqu'à 45° dans chaque sens. Pour effectuer un réglage de la plaque d'assise, desserrez la vis à l'aide d'une clé mâle à six pans de 5 mm, faites glisser la plaque d'assise vers l'arrière de l'outil et faites-la tourner à l'angle désiré en

vous basant sur les repères de l'échelle de mesure des angles (Fig. 4). Les rainures de détente maintiendront fermement la plaque d'assise à un angle de 45°, et il existe des repères de positionnement additionnels pour les angles de 15° et de 30°. Des angles intermédiaires peuvent être réglés à l'aide d'un rapporteur. Serrez à fond les vis après avoir positionné la plaque d'assise.

**FIG. 4**

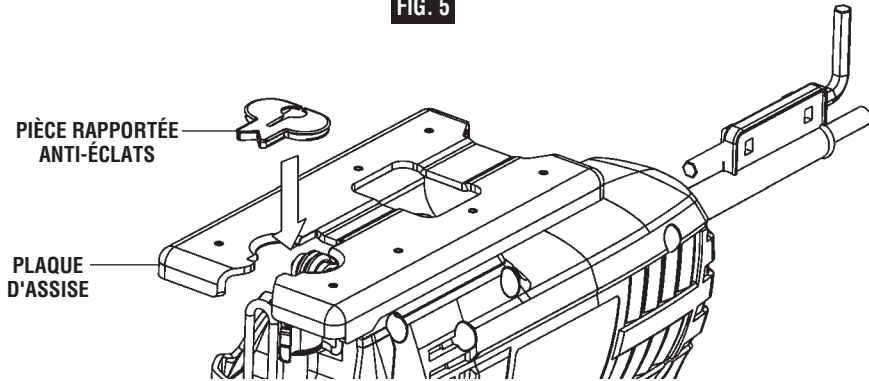


### PIÈCE RAPPORTÉE ANTI-ÉCLATS

Pour réduire au minimum la production d'éclats de la surface supérieure du matériau qui doit être coupé, placez la pièce rapportée anti-éclats dans l'ouverture de

la plaque d'assise prévue pour la lame (Fig. 5).  
**Remarque :** cette pièce rapportée n'est compatible qu'avec les lames qui ont des côtés rodés, telles que les modèles T301CD, T101B, T101D et T101DP.

FIG. 5



## Conseils pratiques sur les outils

Assurez-vous toujours que les ouvrages de petites dimensions sont solidement attachés à un établi ou un autre support. Les panneaux de grandes dimensions peuvent être tenus en place par des brides sur un établi ou être placés sur des chevalets de sciage.

Pour commencer une coupe, marquez clairement le trait de coupe et placez le devant de la plaque d'assise sur l'ouvrage. Engagez l'interrupteur et faites avancer la lame dans l'ouvrage en appliquant seulement assez de pression vers l'avant pour permettre à la lame de couper de façon uniforme. **NE FORCEZ PAS**, car cela augmenterait la vitesse de la scie ; laissez la lame faire son travail toute seule.

Lorsque vous coupez du métal, il est souvent utile d'utiliser un lubrifiant pour refroidir la lame et prolonger ainsi sa durée de vie.

Choisissez soigneusement les lames étant donné que la capacité de coupe de la scie à chantourner le long de courbes permet d'obtenir soit une meilleure finition, soit une coupe plus rapide selon le type de lame utilisé.

### SÉLECTION DE LA LAME

- Choisissez soigneusement les lames étant donné que la capacité de coupe de la scie à chantourner de faire des coupes rapides, de suivre des courbes difficiles, d'obtenir une excellente finition et/ou de prolonger au maximum la durée de vie de la lame dépend directement du type de lame utilisé.
- Utilisez toujours une lame qui est appropriée pour le type de coupe envisagé.
- Faites toujours une coupe de test dans un morceau de matériau résiduel.

- La plupart des lames de scie à chantourner ont des dents pointant vers le haut, ce qui contribue à attirer la scie à chantourner contre l'ouvrage tout en réduisant les vibrations au minimum. Les lames ayant des dents orientées vers le haut produisent une coupe nette sur le fond de l'ouvrage.

- Les lames qui ont des dents pointant vers le bas (lames à dents inversées) peuvent être utilisées pour produire une coupe nette sur le dessus de l'ouvrage (le côté qui fait face à la plaque d'assise de la scie à chantourner), comme quand on coupe un plan de travail déjà installé depuis le dessus. Quand on utilise des lames à dents inversées, il faut appliquer à la scie à chantourner une force poussant vers le bas.

- Les lames qui ont des dents pointant vers l'extérieur (plutôt que vers le haut ou vers le bas) permettent de faire des coupes sans produire d'éclats des deux côtés de l'ouvrage. Quand on utilise de telles lames, il faut appliquer à la scie à chantourner une force poussant vers le bas.

- Les types de lames suivants ne doivent être utilisés qu'avec le réglage orbital O :

1. Lames ayant des dents pointant vers le bas (lames à dents inversées).
2. Lames ayant des dents pointant vers l'extérieur (plutôt que vers le haut ou vers le bas).
3. Lames à plaquettes de carbure.
4. Lames à bord abrasif.

### COUPE EN PLONGÉE

La coupe en plongée est utile et permet de gagner du temps quand on doit couper des ouvertures grossières dans des matériaux doux. Il n'est pas nécessaire de percer un trou pour une coupe intérieure ou borgne. Tracez des lignes pour l'ouverture, tenez fermement la scie, inclinez-la vers l'avant de façon que le pied de la scie repose sur l'ouvrage, mais sans que la lame elle-même ne soit proche de l'ouvrage. Mettez le moteur en marche et abaissez ensuite la lame très progressivement. Quand elle entrera en contact, continuez à appuyer sur le pied de la scie tout en faisant pivoter lentement la scie comme s'il s'agissait d'une charnière jusqu'à ce que la lame traverse l'ouvrage et que le pied repose à plat sur l'ouvrage. Puis sciez vers l'avant le long du trait de coupe. Nous ne recommandons pas de coupe en plongée avec des lames de scie à ruban (Fig. 6).

Pour produire des coins aigus, coupez jusqu'au coin, puis revenez légèrement en arrière avant de tourner le coin. Une fois que l'ouverture est complète, retournez à chaque coin et coupez-le depuis le sens opposé pour finir la coupe. Ne tentez pas de couper en plongée des matériaux durs tels que l'acier.

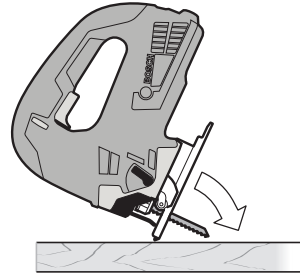
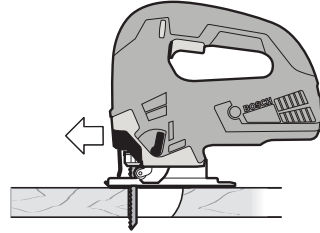


FIG. 6



## Entretien

### Service

**AVERTISSEMENT** Tout entretien préventif effectué par des personnels non autorisés peut résulter en mauvais placement de fils internes ou de pièces, ce qui peut présenter un danger grave. Nous vous conseillons de faire faire tout l'entretien par un centre de service d'usine Bosch ou une station service agréée Bosch.

### LUBRIFICATION DE L'OUTIL

Votre outil Bosch a été lubrifié correctement en usine et il est prêt à l'utilisation. Nous vous conseillons de re-graisser les outils qui comportent des engrenages avec un lubrifiant à engrenages spécial à chaque fois que vous changez les balais.

### BALAIS OU CHARBONS

Les balais (ou charbons) et le collecteur de votre outil ont été conçus pour apporter de nombreuses heures de fonctionnement fiable. Pour maintenir le rendement du moteur à son maximum, nous vous conseillons de contrôler les balais tous les deux à six mois. Il ne faut utiliser que des balais de rechange Bosch d'origine et conçus pour votre outil.

### PALIER

Si les paliers commencent à faire du bruit (à cause de surcharges importantes ou du toupillage de matériaux très abrasifs) il faut les faire remplacer immédiatement pour éviter la surchauffe ou une panne de moteur.

### Nettoyage

**AVERTISSEMENT** Pour éviter les accidents, il faut toujours débrancher l'outil avant de le nettoyer ou de l'entretenir. Le meilleur moyen de nettoyer l'outil est d'utiliser de l'air comprimé sec. Il faut toujours porter des lunettes de protection quand on utilise de l'air comprimé.

Les ouïes de ventilation et les leviers de l'interrupteur doivent rester propres et exempts de corps étrangers. Ne tentez pas de les nettoyer en enfonçant des objets pointus dans les orifices.

**MISE EN GARDE** Certains agents de nettoyages et certains dissolvants abîment les pièces en plastique. Parmi ceux-ci se trouvent: l'essence, le tétrachlorure de carbone, les dissolvants de nettoyage chlorés, l'ammoniaque ainsi que les détergents domestiques qui en contiennent.

## Cordons de rallonge

**⚠ AVERTISSEMENT** Si un cordon de rallonge s'avère nécessaire, vous devez utiliser un cordon avec conducteurs de dimension adéquate pouvant porter le courant nécessaire à votre outil. Ceci préviendra une chute excessive de tension, une perte de courant ou une surchauffe. Les outils mis à la terre doivent utiliser des cordons de rallonge trifilaires pourvus de fiches à trois broches ainsi que des prises à trois broches.

**REMARQUE :** Plus le calibre est petit, plus le fil est gros.

### DIMENSIONS DE RALLONGES RECOMMANDÉES OUTILS 120 VOLTS COURANT ALTERNATIF

Intensité nominale de l'outil	Calibre A.W.G.				Calibre en mm <sup>2</sup>			
	Longueur en pieds				Longueur en mètres			
	25	50	100	150	15	30	60	120
3-6	18	16	16	14	0,75	0,75	1,5	2,5
6-8	18	16	14	12	0,75	1,0	2,5	4,0
8-10	18	16	14	12	0,75	1,0	2,5	4,0
10-12	16	16	14	12	1,0	2,5	4,0	—
12-16	14	12	—	—	—	—	—	—

## Accessoires

\* Clé hexagonale de 5 mm

\* Pièce rapportée anti-éclats

\*\* Sac de transport

\*\* Gamme étendue de lames de scie à chantourner

(\* = équipement standard)

(\*\* = accessoire en option)



## Advertencias generales de seguridad para herramientas mecánicas

### **⚠ ADVERTENCIA**

Lea todas las advertencias de seguridad y todas las instrucciones. Si no se siguen las advertencias e instrucciones, el resultado podría ser sacudidas eléctricas, incendio y/o lesiones graves.

### **GUARDE TODAS LAS ADVERTENCIAS E INSTRUCCIONES PARA REFERENCIA FUTURA**

La expresión “herramienta mecánica” en las advertencias se refiere a su herramienta mecánica alimentada por la red eléctrica (herramienta alámbrica) o su herramienta mecánica alimentada por baterías (herramienta inalámbrica).

#### **Seguridad del área de trabajo**

**Mantenga el área de trabajo limpia y bien iluminada.**

Las áreas desordenadas u oscuras invitan a que se produzcan accidentes.

**No utilice herramientas mecánicas en atmósferas explosivas, como por ejemplo en presencia de líquidos, gases o polvos inflamables.** Las herramientas mecánicas generan chispas que pueden incendiar el polvo o los vapores.

**Mantenga alejados a los niños y a las personas que estén presentes mientras esté utilizando una herramienta mecánica.** Las distracciones pueden hacerle perder el control de la herramienta.

#### **Seguridad eléctrica**

**Los enchufes de las herramientas mecánicas deben coincidir con el tomacorriente. No modifique nunca el enchufe de ningún modo. No use enchufes adaptadores con herramientas mecánicas conectadas a tierra (puestas a tierra).** Los enchufes no modificados y los tomacorrientes coincidentes reducirán el riesgo de sacudidas eléctricas.

**Evite el contacto del cuerpo con las superficies conectadas o puestas a tierra, tales como tuberías, radiadores, estufas y refrigeradores.** Hay un aumento del riesgo de sacudidas eléctricas si el cuerpo del operador se conecta o pone a tierra.

**No esponga las herramientas mecánicas a la lluvia o a condiciones mojadas.** La entrada de agua en una herramienta mecánica aumentará el riesgo de que se produzcan sacudidas eléctricas.

**No maltrate el cordón de energía. No use nunca el cordón para transportar la herramienta mecánica, tirar de ella o desenchufarla. Mantenga el cordón alejado del calor, el aceite, los bordes afilados o las piezas móviles.** Los cordones dañados o enganchados aumentan el riesgo de que se produzcan sacudidas eléctricas.

**Cuando utilice una herramienta mecánica en el exterior, use un cordón de extensión adecuado para uso a la intemperie.** La utilización de un cordón adecuado para uso a la intemperie reduce el riesgo de que se produzcan sacudidas eléctricas.

**Si es inevitable utilizar una herramienta mecánica en un lugar húmedo, utilice una fuente de energía**

**protegida por un interruptor de circuito accionado por corriente de pérdida a tierra (GFCI).** El uso de un GFCI reduce el riesgo de sacudidas eléctricas.

#### **Seguridad personal**

**Manténgase alerta, fíjese en lo que está haciendo y use el sentido común cuando esté utilizando una herramienta mecánica. No use una herramienta mecánica cuando esté cansado o bajo la influencia de drogas, alcohol o medicamentos.** Un momento de distracción mientras esté utilizando herramientas mecánicas podría causar lesiones corporales graves.

**Use equipo de protección personal. Use siempre protección de los ojos.** El equipo de protección, como por ejemplo una máscara antipolvo, calzado de seguridad antideslizante, casco o protección de oídos, utilizado para las condiciones apropiadas, reducirá las lesiones corporales.

**Evite el arranque accidental. Asegúrese de que el interruptor esté en la posición de apagado antes de conectar la herramienta a la fuente de energía y / o al paquete de batería, levantar la herramienta o transportarla.** Transportar herramientas mecánicas con un dedo en el interruptor o encender herramientas mecánicas que tengan el interruptor en la posición de encendido invita a que se produzcan accidentes.

**Quite todas las llaves de ajuste o de tuerca antes de encender la herramienta mecánica.** Una llave de tuerca o de ajuste que se deje colocada en una pieza giratoria de la herramienta mecánica podría causar lesiones corporales.

**No intente alcanzar demasiado lejos. Mantenga un apoyo de los pies y un equilibrio apropiados en todo momento.** Esto permite controlar mejor la herramienta mecánica en situaciones inesperadas.

**Vístase adecuadamente. No use ropa holgada ni alhajas holgadas. Mantenga el pelo, la ropa y los guantes alejados de las piezas móviles.** La ropa holgada, las alhajas holgadas o el pelo largo pueden quedar atrapados en las piezas móviles.

**Si se proporcionan dispositivos para la conexión de instalaciones de extracción y recolección de polvo, asegúrese de que dichas instalaciones estén conectadas y se usen correctamente.** El uso de dispositivos de recolección de polvo puede reducir los peligros relacionados con el polvo.







## Uso y cuidado de las herramientas mecánicas

**No fuerce la herramienta mecánica. Use la herramienta mecánica correcta para la aplicación que desee realizar.** La herramienta mecánica correcta hará el trabajo mejor y con más seguridad a la capacidad nominal para la que fue diseñada.

**No use la herramienta mecánica si el interruptor no la enciende y apaga.** Toda herramienta mecánica que no se pueda controlar con el interruptor es peligrosa y debe ser reparada.

**Desconecte el enchufe de la fuente de energía y/o el paquete de batería de la herramienta mecánica antes de hacer cualquier ajuste, cambiar accesorios o almacenar herramientas mecánicas.** Dichas medidas preventivas de seguridad reducen el riesgo de arrancar accidentalmente la herramienta mecánica.

**Guarde las herramientas que no esté usando fuera del alcance de los niños y no deje que personas que no estén familiarizadas con la herramienta mecánica o con estas instrucciones utilicen la herramienta.** Las herramientas mecánicas son peligrosas en manos de usuarios que no hayan recibido capacitación.

**Mantenga las herramientas mecánicas. Compruebe si hay piezas móviles desalineadas o que se atoran, si**

**hay piezas rotas y si existe cualquier otra situación que podría afectar el funcionamiento de la herramienta mecánica. Si la herramienta mecánica está dañada, haga que la reparen antes de usarla.** Muchos accidentes son causados por herramientas mecánicas mantenidas deficientemente.

**Mantenga las herramientas de corte afiladas y limpias.** Es menos probable que las herramientas de corte mantenidas apropiadamente, con bordes de corte afilados, se atoren, y dichas herramientas son más fáciles de controlar.

**Utilice la herramienta mecánica, los accesorios, las brocas de la herramienta, etc., de acuerdo con estas instrucciones, teniendo en cuenta las condiciones de trabajo y el trabajo que se vaya a realizar.** El uso de la herramienta mecánica para operaciones distintas a aquéllas para las que fue diseñada podría causar una situación peligrosa.

### Servicio de ajustes y reparaciones

**Haga que su herramienta mecánica reciba servicio de un técnico de reparaciones calificado, utilizando únicamente piezas de repuesto idénticas.** Esto asegurará que se mantenga la seguridad de la herramienta mecánica.

## Normas de seguridad para sierras caladoras

**Agarre la herramienta eléctrica por las superficies de agarre con aislamiento cuando realice una operación en la que el accesorio de corte pueda entrar en contacto con cables ocultos o con su propio cable de alimentación.** El accesorio de corte que entre en contacto con un cable que tenga corriente puede hacer que las partes metálicas de la herramienta eléctrica que estén al descubierto tengan corriente y podrían causar una descarga eléctrica al operador.

**Use abrazaderas u otro modo práctico de asegurar y soportar la pieza de trabajo en una plataforma estable.** Si se sujeta la pieza de trabajo con la mano o contra el cuerpo, se crea una situación inestable y es posible que eso cause pérdida de control.

**No taladre, apriete elementos de sujeción ni rompa en paredes existentes u otras áreas ciegas en las que pueda haber cables eléctricos.** Si esta situación es inevitable, desconecte todos los fusibles o cortacircuitos que alimenten este lugar de trabajo.

**No deje nunca el gatillo bloqueado en la posición de "ENCENDIDO". Antes de enchufar la herramienta, asegúrese de que el cierre del gatillo esté en la posición de "APAGADO".** Los arranques accidentales podrían causar lesiones.

**Conozca la ubicación y el ajuste del botón de "Fijación en ENCENDIDO" del interruptor.** Si el interruptor está bloqueado en la posición de "ENCENDIDO" durante el uso, esté preparado para, en situaciones de emergencia, ponerlo en la posición de "APAGADO", tirando primero del gatillo y soltándolo inmediatamente después sin oprimir el botón de "Fijación en ENCENDIDO".

**Mantenga las manos alejadas del área de corte. No las ponga debajo del material que se esté cortando.** La proximidad de la hoja a la mano queda oculta a la vista.

**Mantenga las manos alejadas del área entre la caja de engranajes y el portahoja de sierra.** El portahoja de sierra alternativa puede pellizcarle los dedos.

**No utilice hojas desafiladas o dañadas.** Una hoja doblada se puede romper fácilmente o causar retroceso.

**Antes de comenzar a cortar, ENCIENDA la herramienta y deje que la hoja alcance su velocidad completa.** La herramienta puede chirriar o vibrar si la velocidad de la hoja es demasiado lenta al comienzo del corte y posiblemente experimentar retroceso.





**Use siempre anteojos de seguridad o protección ocular cuando utilice esta herramienta. Use una máscara antipolvo o un respirador para realizar aplicaciones que generen polvo.**

**Sujete firmemente el material antes de cortarlo. No lo sostenga nunca en la mano ni sobre las piernas.** El material pequeño o delgado puede combarse o vibrar con la hoja, causando pérdida de control.

**Asegúrese de que todos los tornillos de ajuste y el portahoja estén apretados antes de realizar un corte.** Los tornillos de ajuste y los portahojas flojos pueden hacer que la herramienta o la hoja resbale y el resultado de ello podría ser una pérdida de control.

**Cuando quite la hoja de la herramienta, evite el contacto con la piel y use guantes protectores adecuados cuando agarre la hoja o el accesorio.** Los accesorios pueden estar calientes después de un uso prolongado.

**Si la herramienta está equipada con una bolsa para polvo, vacíe dicha bolsa frecuentemente y después de completar la operación de aserrado.** Con el tiempo se puede producir una combustión espontánea como resultado de la mezcla de aceite o agua con partículas de polvo. Tenga sumo cuidado al desechar el polvo, ya que los materiales que estén en forma de partículas finas pueden ser explosivos. No tire el contenido de la bolsa a un fuego al descubierto.

## Advertencias de seguridad adicionales

Un GFCI y los dispositivos de protección personal, como guantes de goma y calzado de goma de electricista, mejorarán más su seguridad personal.

**No use herramientas mecánicas con capacidad nominal solamente para CA con una fuente de energía de CC.** Aunque pueda parecer que la herramienta funciona correctamente, es probable que los componentes eléctricos de la herramienta con capacidad nominal para CA fallen y creen un peligro para el operador.

**Mantenga los mangos secos, limpios y libres de aceite y grasa.** Las manos resbalosas no pueden controlar de modo seguro la herramienta mecánica.

**Desarrolle un programa de mantenimiento periódico de la herramienta. Cuando limpie una herramienta, tenga cuidado de no desmontar ninguna de sus partes, ya que los cables internos podrían reubicarse incorrectamente o pellizcarse, o los resortes de retorno de los protectores de seguridad podrían montarse incorrectamente.** Ciertos agentes de limpieza, tales como gasolina, tetracloruro de carbono, amoníaco, etc., podrían dañar las piezas de plástico.

Riesgo de lesiones para el usuario. El cordón de energía debe recibir servicio de ajustes y reparaciones solamente por un Centro de Servicio de Fábrica Bosch o una Estación de Servicio Bosch Autorizada.

**ADVERTENCIA** Cierta polvo generado por el lijado, aserrado, amolado y taladrado mecánicos, y por otras actividades de construcción, contiene agentes químicos que se sabe que causan cáncer, defectos de nacimiento u otros daños sobre la reproducción. Algunos ejemplos de estos agentes químicos son:

- Plomo de pinturas a base de plomo,
- Sílice cristalina de ladrillos y cemento y otros productos de mampostería, y
- Arsénico y cromo de madera tratada químicamente.

Su riesgo por causa de estas exposiciones varía, dependiendo de con cuánta frecuencia realice este tipo de trabajo. Para reducir su exposición a estos agentes químicos: trabaje en un área bien ventilada y trabaje con equipo de seguridad aprobado, como por ejemplo máscaras antipolvo que estén diseñadas especialmente para impedir mediante filtración el paso de partículas microscópicas.



## Símbolos

**IMPORTANTE:** Es posible que algunos de los símbolos siguientes se usen en su herramienta. Por favor, estúdielos y aprenda su significado. La interpretación adecuada de estos símbolos le permitirá utilizar la herramienta mejor y con más seguridad.

Símbolo	Nombre	Designación/explicación
V	Volt	Tensión (potencial)
A	Ampere	Corriente
Hz	Hertz	Frecuencia (ciclos por segundo)
W	Watt	Potencia
kg	Kilogramo	Peso
min	Minuto	Tiempo
s	Segundo	Tiempo
∅	Diámetro	Tamaño de las brocas taladradoras, muelas, etc
$n_0$	Velocidad sin carga	Velocidad rotacional sin carga
n	Velocidad nominal	Máxima velocidad obtenible
.../min	Revoluciones o alternación por minuto	Revoluciones, golpes, velocidad de superficie, órbitas, etc., por minuto
0	Posición "off" (apagado)	Velocidad cero, par motor cero...
1, 2, 3, ... I, II, III,	Graduaciones del selector	Graduaciones de velocidad, par motor o posición. Un número más alto significa mayor velocidad
	Selector infinitamente variable con apagado	La velocidad aumenta desde la graduación de 0
	Flecha	Acción en la dirección de la flecha
	Corriente alterna	Tipo o una característica de corriente
	Corriente continua	Tipo o una característica de corriente
	Corriente alterna o continua	Tipo o una característica de corriente
	Construcción de clase II	Designa las herramientas de construcción con aislamiento doble.
	Terminal de toma de tierra	Terminal de conexión a tierra
	Símbolo de advertencia	Alerta al usuario sobre mensajes de advertencia
	Sello RBRC de Li-ion	Designa el programa de reciclaje de baterías de Li-ion
	Sello RBRC de Ni-Cd	Designa el programa de reciclaje de baterías de Ni-Cd
	Símbolo de lectura del manual	Alerta al usuario para que lea el manual
	Símbolo de uso de protección de los ojos	Alerta al usuario para que use protección de los ojos



## Símbolos (continuación)

**IMPORTANTE:** Es posible que algunos de los símbolos siguientes se usen en su herramienta. Por favor, estúdielos y aprenda su significado. La interpretación adecuada de estos símbolos le permitirá utilizar la herramienta mejor y con más seguridad.



Este símbolo indica que esta herramienta está catalogada por Underwriters Laboratories.



Este símbolo indica que esta herramienta está reconocida por Underwriters Laboratories.



Este símbolo indica que Underwriters Laboratories ha catalogado esta herramienta indicando que cumple con las normas estadounidenses y canadienses.



Este símbolo indica que esta herramienta está catalogada por la Canadian Standards Association.



Este símbolo indica que la Canadian Standards Association ha catalogado esta herramienta indicando que cumple con las normas estadounidenses y canadienses.



Este símbolo indica que Intertek Testing Services ha catalogado esta herramienta indicando que cumple con las normas estadounidenses y canadienses.



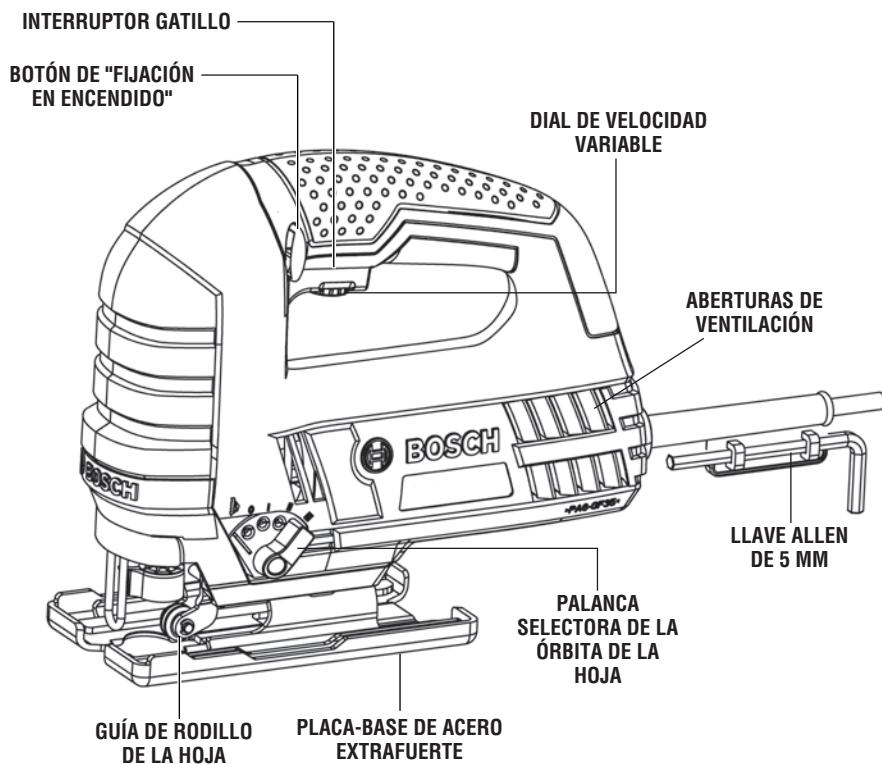
Este símbolo indica que esta herramienta cumple con la norma mexicana oficial (NOM).



## Descripción funcional y especificaciones

**⚠ ADVERTENCIA** Desconecte el enchufe de la fuente de energía antes de realizar cualquier ensamblaje o ajuste, o cambiar accesorios. Estas medidas de seguridad preventivas reducen el riesgo de arrancar la herramienta accidentalmente.

### Sierra caladora



Número de modelo

JS260

**NOTA:** Para obtener las especificaciones de la herramienta, consulte la placa del fabricante colocada en la herramienta.

## Ensamblaje

**PRECAUCIÓN** Para prevenir daños, no gire la palanca eyectora de la hoja cuando no haya una hoja en la abrazadera de la hoja ni cuando inserte la hoja.

### INSTALACIÓN DE LA HOJA

Inserte la hoja de sierra (con los dientes en el sentido de corte) en la ranura ubicada en la abrazadera de la hoja hasta que la palanca eyectora de la hoja rote hacia la IZQUIERDA, indicando que la abrazadera se ha acoplado. (Cuando inserte la hoja de sierra, el dorso de la hoja debe descansar en la ranura del rodillo de guía Fig. 2.)

### EYECCIÓN DE LA HOJA

La herramienta se debe sujetar de manera que la hoja sea eyectada de manera segura. Para retirar la hoja de sierra, rote la palanca eyectora de la hoja hasta el tope central ubicado a la DERECHA; esto libera y eyecta la hoja de sierra (Fig. 3).

**REAJUSTE DE LA ABRAZADERA DE LA HOJA:** Hay dos situaciones en las cuales es necesario reajustar la abrazadera de la hoja:

**REAJUSTE tipo A:** Si la palanca de eyección de la hoja se rota inapropiadamente, los "dedos" ubicados en el interior de la abrazadera podrían resbalar al interior de la ranura del inserto para la hoja. Para reajustar la abrazadera:

**Paso 1:** Utilizando un destornillador, empuje hacia abajo sobre los dedos de la abrazadera de la hoja (según se ve desde la parte inferior de la sierra caladora), hasta que se pueda rotar la abrazadera.

**Paso 2:** Rote la palanca eyectora de la hoja hacia la DERECHA hasta que quede fija en su sitio.

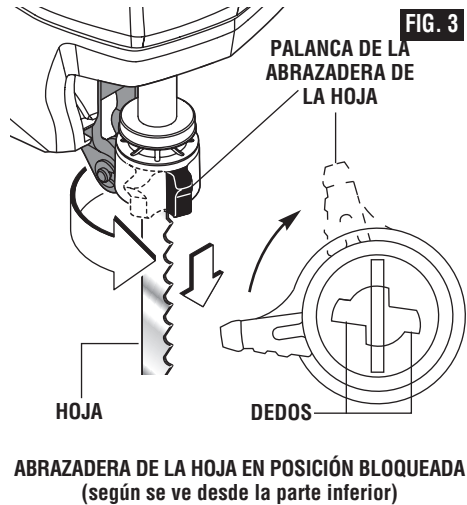
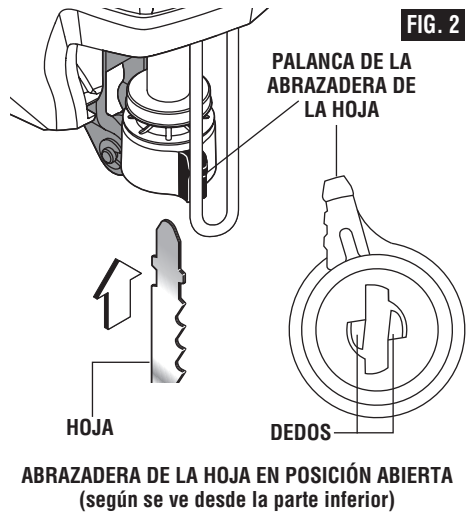
Ahora la abrazadera estará lista para utilizarse.

**REAJUSTE tipo B:** Si los dos dedos ubicados en el interior de la abrazadera de la hoja son empujados accidentalmente demasiado hacia el interior del émbolo, impedirán la inserción de una hoja. Para llevar los dedos de vuelta a sus posiciones de corrección:

**Paso 1:** Gire la palanca eyectora de la hoja hacia la DERECHA (según se ve desde la parte inferior de la sierra caladora).

**Paso 2:** Continúe la rotación hasta que los dedos se acoplen a presión en la posición abierta correcta.

Ahora la abrazadera estará lista para utilizarse.



## Instrucciones de uso

### INTERRUPTOR GATILLO CON CONTROL DE VELOCIDAD VARIABLE

La herramienta está equipada con un interruptor gatillo de velocidad variable. La herramienta se puede ENCENDER o APAGAR apretando o soltando el gatillo.

La velocidad se puede ajustar desde las RPM mínimas hasta las máximas, según está indicado en el dial de velocidad, por medio de la presión que usted aplique al gatillo. Aplique más presión para aumentar la velocidad y reduzca la presión para disminuir la velocidad (Fig. 1).

**BOTÓN DE "FIJACIÓN EN ENCENDIDO"**

El botón de "Fijación en ENCENDIDO", ubicado en el mango de la herramienta, permite el funcionamiento continuo a las RPM máximas sin tener que mantener apretado el gatillo (Fig. 1).

**PARA BLOQUEAR EL GATILLO EN LA POSICIÓN DE "ENCENDIDO":** apriete el gatillo, oprima el botón y suelte el gatillo.

**PARA DESBLOQUEAR EL GATILLO:** apriete el gatillo y súeltelo sin oprimir el botón de "Fijación en ENCENDIDO".

**ADVERTENCIA** Si se oprime continuamente el botón de "Fijación en ENCENDIDO", no se puede soltar el gatillo.

**DIAL DE VELOCIDAD VARIABLE**

La sierra caladora está equipada con un dial de velocidad variable. El número de carreras de la hoja se puede ajustar durante la operación de corte, preajustando el dial en cualquiera de los seis números o entre ellos (Fig. 1).

**Posición de ajuste**

-  Carrera baja
-  Carrera mediana
-  Carrera alta

**VELOCIDAD DEL ÉMBOLO**

La velocidad de corte de la sierra caladora o el número de carreras que se requiere depende del material que se esté cortando, el tipo de hoja que se esté utilizando y la velocidad de alimentación preferida por el operador. La mejor velocidad para una aplicación específica es determinada en gran medida por la experiencia, aunque como regla general, las velocidades más lentas son para

materiales más densos y las velocidades más rápidas son para materiales blandos. Tenga presente que cuando la sierra caladora se utilice en posiciones de ajuste de baja velocidad durante cualquier período de tiempo, la temperatura del motor subirá debido a la velocidad más lenta del ventilador de enfriamiento interno. En tales casos, es necesario hacer funcionar ocasionalmente la herramienta a velocidad completa durante unos minutos para que el motor siga funcionando con una eficiencia alta.

**ÓRBITA DE LA HOJA**

La máxima eficiencia de corte se puede lograr ajustando la palanca selectora de la órbita de la hoja para adaptarse al material que se esté cortando (Fig. 1). El cuadro siguiente le ayudará a determinar qué ajuste se debe usar para la aplicación que desea realizar. Este cuadro tiene como única finalidad servir de orientación y primero se deben realizar cortes de prueba en material de desecho para determinar el mejor ajuste.

0 materiales duros, tales como metales o chapas metálicas delgadas y que se usan con hojas de cuchillo, hojas con borde granulado o trabajo de raspado

I materiales bandos, en los casos en que se realice trabajo de corte más limpio o trabajo de contorneado delicado

II materiales de densidad mediana, tales como maderas más duras o tablero de aglomerado

III materiales blandos, tales como madera, plásticos, etc.

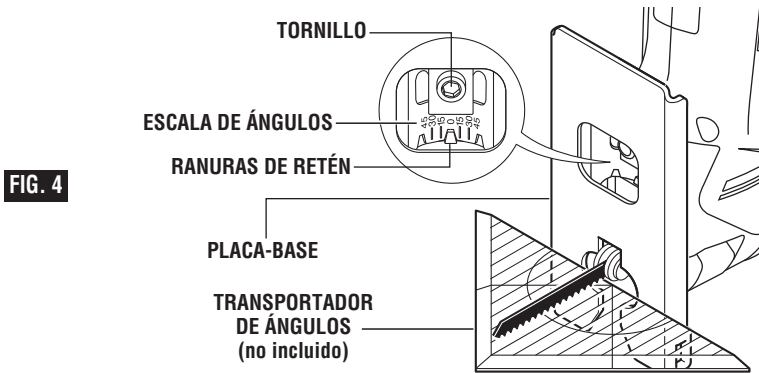
**SOPLADOR DE VIRUTAS**

Esta sierra caladora está equipada con un soplador permanente encendido para ayudar a mantener la línea de corte despejada de virutas.

**AJUSTE DEL ÁNGULO DE LA PLACA-BASE**

La placa-base se puede inclinar para permitir realizar cortes en ángulo hasta 45° en cualquiera de los dos sentidos. Para ajustar la placa-base, afloje el tornillo con la llave Allen de 5 mm, deslice la placa-base hacia la parte trasera de la herramienta y gírela hasta el ángulo deseado, tal y como está marcado en la escala de

ángulos (Fig. 4). Las ranuras de retén sujetarán firmemente la placa-base a 45° y hay marcas de posición adicionales para ángulos de 15° y 30°. Los ángulos intermedios se pueden ajustar con un transportador de ángulos. Después de posicionar la placa-base, apriete firmemente el tornillo.



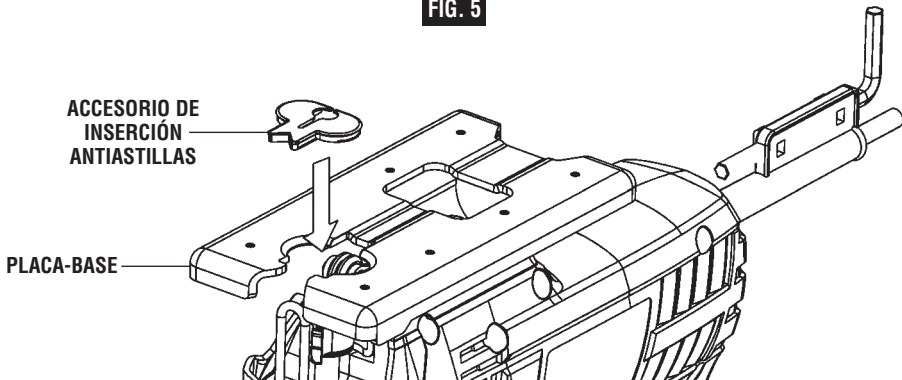
**FIG. 4**

### ACCESORIO DE INSERCIÓN ANTIASILLAS

Para minimizar el astillamiento de la superficie superior del material que se esté cortando, coloque el accesorio de inserción antiastillas en la abertura para la hoja

ubicada en la placa-base (Fig. 5). **Nota:** Este accesorio de inserción funcionará solamente con hojas que tengan lados amolados, tales como las hojas T301CD, T101B, T101D y T101DP.

FIG. 5



## Consejos para utilizar la herramienta

Asegúrese siempre de que las piezas de trabajo más pequeñas estén sujetas firmemente a un banco de trabajo u otro soporte. Los paneles más grandes se pueden sujetar en la posición deseada por medio de abrazaderas en un banco de trabajo o unos caballetes de aserrar.

Para comenzar un corte, marque claramente la línea de corte y apoye la parte delantera de la placa-base en la pieza de trabajo. Accione el interruptor y mueva la hoja para que penetre en la pieza de trabajo, ejerciendo solamente suficiente presión hacia delante como para hacer que la hoja siga cortando uniformemente. **NO FUERCE LA SIERRA**, ya que esto no hará que corte más rápidamente; deje que la hoja haga el trabajo.

Cuando corte metal, a menudo es aconsejable utilizar un lubricante para enfriar la hoja y prolongar su duración.

Seleccione las hojas cuidadosamente, ya que la capacidad de la sierra caladora para seguir curvas, lograr acabados más lisos o cortar más rápidamente está relacionada directamente con el tipo de hoja que se utilice.

### SELECCIÓN DE HOJAS

- Seleccione las hojas cuidadosamente, ya que la capacidad de la sierra caladora para hacer los cortes más rápidos, seguir curvas cerradas, lograr el acabado más liso y/o maximizar la duración de la hoja está relacionada directamente con el tipo de hoja utilizado.
- Use siempre una hoja que sea apropiada para la tarea de corte.
- Haga siempre un corte de prueba en un pedazo de material de desecho.

- La mayoría de las hojas de sierra caladora tienen dientes orientados hacia arriba, lo cual ayuda a tirar de la sierra caladora contra la pieza de trabajo y minimiza la vibración. Las hojas con dientes orientados hacia arriba producen un corte limpio en la parte de debajo de la pieza de trabajo.

- Las hojas con dientes orientados hacia abajo (hojas con dientes inversos) se pueden utilizar para producir un corte limpio en la parte de arriba de la pieza de trabajo (el lado que está orientado hacia la placa-base de la sierra caladora), como por ejemplo cuando se corta desde la parte de arriba en un tablero de mostrador ya instalado. Cuando se utilicen hojas con dientes inversos, se debe aplicar fuerza hacia abajo a la sierra caladora.

- Las hojas con dientes que están orientados directamente hacia afuera (en lugar de hacia arriba o hacia abajo) permiten realizar cortes libres de astillas en ambos lados de la pieza de trabajo. Cuando se utilicen dichas hojas, se debe aplicar fuerza hacia abajo a la sierra caladora.

- Los siguientes tipos de hojas se deben utilizar únicamente con el ajuste orbital O:

1. Hojas con dientes que están orientados hacia abajo (hojas con dientes inversos).
2. Hojas con dientes que están orientados directamente hacia fuera en lugar de hacia arriba o hacia abajo.
3. Hojas con puntas de carburo.
4. Hojas con borde granulado.



### CORTE POR PENETRACIÓN

El corte por penetración es útil y ahorra tiempo a la hora de hacer aberturas bastas en materiales más blandos. No es necesario taladrar un agujero para un corte interior o de bolsillo. Dibuje líneas para la abertura, sujete firmemente la sierra e inclínela hacia delante para que la punta de la placa-base de la sierra descansa sobre la pieza de trabajo, pero con la hoja suficientemente alejada de la pieza de trabajo. Arranque el motor y luego baje la hoja muy gradualmente. Cuando la hoja toque la pieza de trabajo, continúe presionando hacia abajo sobre la punta de la placa-base de la sierra, pivotando lentamente la sierra como una bisagra hasta que la hoja atraviese la pieza de trabajo y la placa-base descansa en posición plana sobre la pieza de trabajo. Luego, aserre hacia delante siguiendo la línea de corte. No recomendamos cortar por penetración con una hoja de sierra de contornear (Fig. 6).

Para hacer esquinas vivas, corte hasta la esquina y luego retroceda ligeramente antes de redondear la esquina. Después de completar la abertura, regrese a cada esquina y córtela desde el sentido opuesto para escuadrarla. No intente cortar por penetración en materiales duros, como por ejemplo acero.

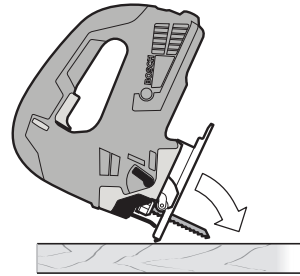
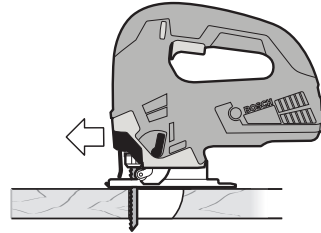


FIG. 6



## Mantenimiento

### Servicio

**⚠ ADVERTENCIA** El mantenimiento preventivo realizado por personal no autorizado puede dar lugar a la colocación incorrecta de cables y componentes internos que podría constituir un peligro serio. Recomendamos que todo el servicio de las herramientas sea realizado por un Centro de servicio de fábrica Bosch o por una Estación de servicio Bosch autorizada.

### LUBRICACION DE LAS HERRAMIENTAS

Su herramienta Bosch ha sido lubricada adecuadamente y está lista para la utilización. Se recomienda que las herramientas con engranajes se vuelvan a engrasar con un lubricante especial para engranajes en cada cambio de escobillas.

### ESCOBILLAS DE CARBON

Las escobillas y el conmutador de la herramienta han sido diseñados para muchas horas de servicio fiable. Para mantener un rendimiento óptimo del motor, recomendamos que cada dos a seis meses se examinen las escobillas. Sólo se deben usar escobillas de repuesto Bosch genuinas diseñadas específicamente para su herramienta.

### RODAMIENTOS

Los rodamientos que se vuelven ruidosos (debido a la pesada carga o al corte de materiales muy abrasivos) deben ser sustituidos inmediatamente para evitar el sobrecalentamiento o el fallo del motor.

### Limpieza

**⚠ ADVERTENCIA** Para evitar accidentes desconecte siempre la herramienta de la fuente de energía antes de la limpieza o de la realización de cualquier mantenimiento. La herramienta se puede limpiar más eficazmente con aire comprimido seco. **Use gafas de seguridad siempre que limpie herramientas con aire comprimido.**

Las aberturas de ventilación y las palancas de interruptor deben mantenerse limpias y libres de materias extrañas. No intente limpiar introduciendo objetos puntiagudos a través de las aberturas.

**⚠ PRECAUCION** Ciertos agentes de limpieza y disolventes dañan las piezas de plástico. Algunos de estos son: gasolina, tetracloruro de carbono, disolventes de limpieza clorados, amoníaco y detergentes domésticos que contienen amoníaco.

## Cordones de extensión

**⚠ ADVERTENCIA** Si es necesario un cordón de extensión, se debe usar un cordón con conductores de tamaño adecuado que sea capaz de transportar la corriente necesaria para la herramienta. Esto evitará caídas de tensión excesivas, pérdida de potencia o recalentamiento. Las herramientas conectadas a tierra deben usar cordones de extensión de 3 hilos que tengan enchufes de 3 terminales y receptáculos para 3 terminales.

**NOTA:** Cuanto más pequeño es el número de calibre, más grueso es el cordón.

### TAMAÑOS RECOMENDADOS DE CORDONES DE EXTENSION HERRAMIENTAS DE 120 V CORRIENTE ALTERNA

Capacidad nominal en amperes de la herramienta	Tamaño del cordón en A.W.G.				Tamaños del cable en mm <sup>2</sup>			
	Longitud del cordón en pies				Longitud del cordón en metros			
	25	50	100	150	15	30	60	120
3-6	18	16	16	14	0,75	0,75	1,5	2,5
6-8	18	16	14	12	0,75	1,0	2,5	4,0
8-10	18	16	14	12	0,75	1,0	2,5	4,0
10-12	16	16	14	12	1,0	2,5	4,0	—
12-16	14	12	—	—	—	—	—	—

## Accesorios

- \* Llave Allen de 5 mm
- \* Accesorio de inserción antiastillas
- \*\* Bolsa de transporte
- \*\* Amplia gama de hojas de sierra caladora

- (\* = equipo estándar)
- (\*\* = accesorios opcionales)



**Notes:**

**Remarques :**

**Notas:**





**LIMITED WARRANTY OF BOSCH PORTABLE AND BENCHTOP POWER TOOLS**

Robert Bosch Tool Corporation ("Seller") warrants to the original purchaser only, that all BOSCH portable and benchtop power tools will be free from defects in material or workmanship for a period of one year from date of purchase. SELLER'S SOLE OBLIGATION AND YOUR EXCLUSIVE REMEDY under this Limited Warranty and, to the extent permitted by law, any warranty or condition implied by law, shall be the repair or replacement of parts, without charge, which are defective in material or workmanship and which have not been misused, carelessly handled, or misrepaired by persons other than Seller or Authorized Service Station. To make a claim under this Limited Warranty, you must return the complete portable or benchtop power tool product, transportation prepaid, to any BOSCH Factory Service Center or Authorized Service Station. For Authorized BOSCH Power Tool Service Stations, please refer to your phone directory.

THIS LIMITED WARRANTY DOES NOT APPLY TO ACCESSORY ITEMS SUCH AS CIRCULAR SAW BLADES, DRILL BITS, ROUTER BITS, JIGSAW BLADES, SANDING BELTS, GRINDING WHEELS AND OTHER RELATED ITEMS.

ANY IMPLIED WARRANTIES SHALL BE LIMITED IN DURATION TO ONE YEAR FROM DATE OF PURCHASE. SOME STATES IN THE U.S., SOME CANADIAN PROVINCES DO NOT ALLOW LIMITATIONS ON HOW LONG AN IMPLIED WARRANTY LASTS, SO THE ABOVE LIMITATION MAY NOT APPLY TO YOU.

IN NO EVENT SHALL SELLER BE LIABLE FOR ANY INCIDENTAL OR CONSEQUENTIAL DAMAGES (INCLUDING BUT NOT LIMITED TO LIABILITY FOR LOSS OF PROFITS) ARISING FROM THE SALE OR USE OF THIS PRODUCT. SOME STATES IN THE U.S. AND SOME CANADIAN PROVINCES DO NOT ALLOW THE EXCLUSION OR LIMITATION OF INCIDENTAL OR CONSEQUENTIAL DAMAGES, SO THE ABOVE LIMITATION OR EXCLUSION MAY NOT APPLY TO YOU.

THIS LIMITED WARRANTY GIVES YOU SPECIFIC LEGAL RIGHTS, AND YOU MAY ALSO HAVE OTHER RIGHTS WHICH VARY FROM STATE TO STATE IN THE U.S., PROVINCE TO PROVINCE IN CANADA AND FROM COUNTRY TO COUNTRY.

THIS LIMITED WARRANTY APPLIES ONLY TO PORTABLE AND BENCHTOP ELECTRIC TOOLS SOLD WITHIN THE UNITED STATES OF AMERICA, CANADA AND THE COMMONWEALTH OF PUERTO RICO. FOR WARRANTY COVERAGE WITHIN OTHER COUNTRIES, CONTACT YOUR LOCAL BOSCH DEALER OR IMPORTER.

**GARANTIE LIMITÉE DES OUTILS ÉLECTRIQUES PORTATIFS ET D'ÉTABLI BOSCH**

Robert Bosch Tool Corporation (le « vendeur ») garantit à l'acheteur initial seulement que tous les outils électriques portatifs et d'établi BOSCH seront exempts de vices de matériaux ou d'exécution pendant une période d'un an depuis la date d'achat. LA SEULE OBLIGATION DU VENDEUR ET LE SEUL RECOURS DE L'ACHETEUR sous la présente garantie limitée, et en autant que la loi le permette sous toute garantie ou condition implicite qui en découlerait, sera l'obligation de remplacer ou réparer gratuitement les pièces défectueuses matériellement ou comme fabrication, pourvu que lesdites défectuosités ne soient pas attribuables à un usage abusif ou à quelque réparation bricolée par quelqu'un d'autre que le vendeur ou le personnel d'une station-service agréée. Pour présenter une réclamation en vertu de cette garantie limitée, vous devez renvoyer l'outil électrique portatif ou d'établi complet, port payé, à tout centre de service agréé ou centre de service usine. Veuillez consulter votre annuaire téléphonique pour les adresses.

LA PRÉSENTE GARANTIE NE S'APPLIQUE PAS AUX ACCESSOIRES TELS QUE LAMES DE SCIES CIRCULAIRES, MÊCHES DE PERCEUSES, FERS DE TOUPIES, LAMES DE SCIES SAUTEUSES, COURROIES DE PONÇAGE, MEULES ET AUTRES ARTICLES DU GENRE.

TOUTE GARANTIE IMPLICITE SERA LIMITÉE COMME DURÉE À UN AN À COMPTER DE LA DATE D'ACHAT. CERTAINS ÉTATS AMÉRICAINS, CERTAINES PROVINCES CANADIENNES N'ADMETTANT PAS LE PRINCIPE DE LA LIMITATION DE LA DURÉE DES GARANTIES IMPLICITES, IL EST POSSIBLE QUE LES LIMITATIONS CI-DESSUS NE S'APPLIQUENT PAS À VOTRE CAS.

EN AUCUN CAS LE VENDEUR NE SAURAIT ÊTRE TENU POUR RESPONSABLE DES INCIDENTS OU DOMMAGES INDIRECTS (INCLUANT, MAIS NE SE LIMITANT PAS AUX PERTES DE PROFITS) CONSÉQUENTS À LA VENTE OU L'USAGE DE CE PRODUIT. CERTAINS ÉTATS AMÉRICAINS ET CERTAINES PROVINCES CANADIENNES N'ADMETTANT PAS LE PRINCIPE DE LA LIMITATION NI L'EXCLUSION DES DOMMAGES INDIRECTS ET CONSÉQUENTIELS, IL EST POSSIBLE QUE LES LIMITATIONS OU EXCLUSIONS CI-DESSUS NE S'APPLIQUENT PAS À VOTRE CAS.

LA PRÉSENTE GARANTIE VOUS ACCORDE DES DROITS BIEN DÉTERMINÉS, Y COMPRIS POSSIBLEMENT CERTAINS DROITS VARIABLES DANS LES DIFFÉRENTS ÉTATS AMÉRICAINS, PROVINCES CANADIENNE ET DE PAYS À PAYS.

CETTE GARANTIE LIMITÉE NE S'APPLIQUE QU'ÀUX OUTILS ÉLECTRIQUES PORTATIFS ET D'ÉTABLI VENDUS AUX ÉTATS-UNIS D'AMÉRIQUE, AU CANADA ET AU COMMONWEALTH DE PUERTO RICO. POUR COUVERTURE DE GARANTIE DANS LES AUTRES PAYS, CONTACTEZ VOTRE IMPORTATEUR OU REVENDEUR BOSCH LOCAL.

**GARANTIA LIMITADA PARA HERRAMIENTAS MECANICAS PORTATILES Y PARA TABLERO DE BANCO BOSCH**

Robert Bosch Tool Corporation ("el Vendedor") garantiza, únicamente al comprador original, que todas las herramientas mecánicas portátiles y para tablero de banco BOSCH estarán libres de defectos de material o de fabricación durante un período de un año a partir de la fecha de compra. LA ÚNICA OBLIGACION DEL VENDEADOR Y EL RECURSO EXCLUSIVO QUE USTED TIENE bajo esta Garantía Limitada y, hasta donde la ley lo permita, bajo cualquier garantía o condición implícita por ley, consistirá en la reparación o sustitución sin costo de las piezas que presenten defectos de material o de fabricación y que no hayan sido utilizadas incorrectamente, manejadas descuidadamente o reparadas incorrectamente por personas que no sean el Vendedor o una Estación de servicio autorizada. Para efectuar una reclamación bajo esta Garantía Limitada, usted debe devolver el producto, que consiste en la herramienta mecánica portátil o para tablero de banco completa, con el transporte pagado, a cualquier Centro de servicio de fábrica o Estación de servicio autorizada. Para Estaciones de servicio autorizadas de herramientas mecánicas BOSCH, por favor, consulte el directorio telefónico.

ESTA GARANTIA LIMITADA NO SE APLICA A ARTICULOS ACCESORIOS TALES COMO HOJAS PARA SIERRAS CIRCULARES, BROCAS PARA TALADROS, BROCAS PARA FREASADORAS, HOJAS PARA SIERRAS DE VAIVEN, CORREAS PARA LIJAR, RUEDAS DE AMOLAR Y OTROS ARTICULOS RELACIONADOS.

TODAS LAS GARANTIAS IMPLICITAS TENDRAN UNA DURACION LIMITADA A UN AÑO A PARTIR DE LA FECHA DE COMPRA. ALGUNOS ESTADOS DE LOS EE.UU. Y ALGUNAS PROVINCIAS CANADIENSES NO PERMITEN LIMITACIONES EN CUANTO A LA DURACION DE UNA GARANTIA IMPLICITA, POR LO QUE ES POSIBLE QUE LA LIMITACION ANTERIOR NO SEA APLICABLE EN EL CASO DE USTED.

EL VENDEADOR NO SERA RESPONSABLE EN NINGUN CASO DE NINGUN DAÑO INCIDENTAL O EMERGENTE (INCLUYENDO PERO NO LIMITADO A RESPONSABILIDAD POR PERDIDA DE BENEFICIOS) QUE SE PRODUZCA COMO CONSECUENCIA DE LA VENTA O UTILIZACION DE ESTE PRODUCTO. ALGUNOS ESTADOS DE LOS EE.UU. Y ALGUNAS PROVINCIAS CANADIENSES NO PERMITEN LA EXCLUSION O LIMITACION DE LOS DAÑOS INCIDENTALES O EMERGENTES, POR LO QUE ES POSIBLE QUE LA LIMITACION O EXCLUSION ANTERIOR NO SEA APLICABLE EN EL CASO DE USTED.

ESTA GARANTIA LIMITADA LE CONFIERE A USTED DERECHOS LEGALES ESPECIFICOS Y ES POSIBLE QUE USTED TAMBIEN TENGA OTROS DERECHOS QUE VARIAN DE ESTADO A ESTADO EN LOS EE.UU., DE PROVINCIA A PROVINCIA EN CANADA Y DE UN PAIS A OTRO.

ESTA GARANTIA LIMITADA SE APLICA SOLAMENTE A HERRAMIENTAS ELECTRICAS PORTATILES Y PARA TABLERO DE BANCO VENDIDAS EN LOS ESTADOS UNIDOS DE AMERICA, CANADA Y EL ESTADO LIBRE ASOCIADO DE PUERTO RICO. PARA COBERTURA DE GARANTIA EN OTROS PAISES, PONGASE EN CONTACTO CON SU DISTRIBUIDOR O IMPORTADOR LOCAL DE BOSCH.

© Robert Bosch Tool Corporation 1800 W. Central Road Mt. Prospect, IL 60056-2230

Exportado por: Robert Bosch Tool Corporation Mt. Prospect, IL 60056 -2230, E.U.A.

Importado en México por: Robert Bosch, S.A. de C.V., Calle Robert Bosch No. 405, Zona Industrial, Toluca, Edo. de México, C.P. 50070, Tel. (722) 2792300



1 6 1 9 X 0 4 8 8 0

1619X04880 02/12

