

IMPORTANT:
Read Before Using

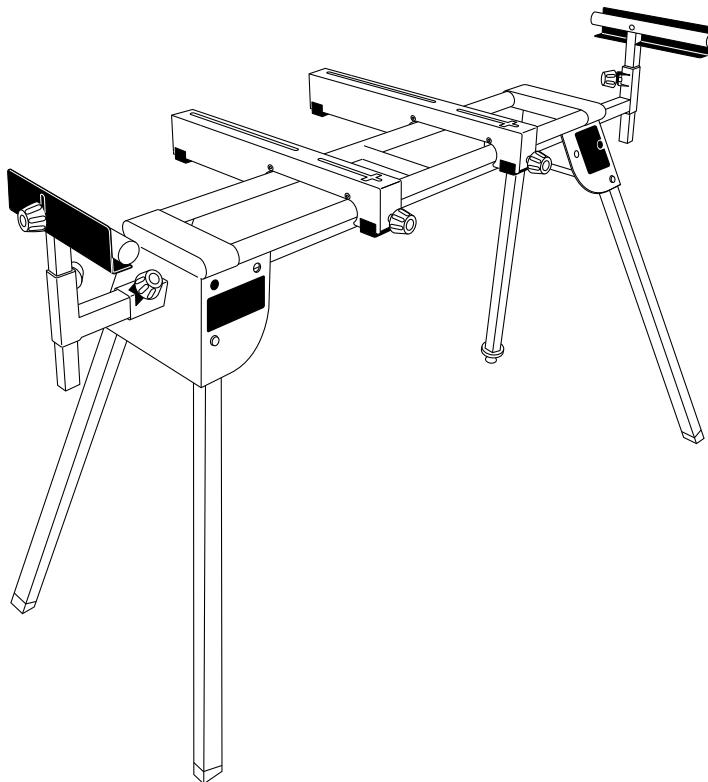
IMPORTANT :
Lire avant usage

IMPORTANTE:
Leer antes de usar



Operating/Safety Instructions
Consignes de fonctionnement/sécurité
Instrucciones de funcionamiento y seguridad

T1B



BOSCH

**Call Toll Free for
Consumer Information
& Service Locations**

**Pour obtenir des informations et
les adresses de nos centres de
service après-vente,
appelez ce numéro gratuit**

**Llame gratis para
obtener información
para el consumidor y
ubicaciones de servicio**

1-877-BOSCH99 (1-877-267-2499) www.boschtools.com

**For English Version
See page 2**

**Version française
Voir page 13**

**Versión en español
Ver la página 24**



Safety Symbols

The definitions below describe the level of severity for each signal word. Please read the manual and pay attention to these symbols.





	This is the safety alert symbol. It is used to alert you to potential personal injury hazards. Obey all safety messages that follow this symbol to avoid possible injury or death.
	DANGER indicates a hazardous situation which, if not avoided, will result in death or serious injury.
	WARNING indicates a hazardous situation which, if not avoided, could result in death or serious injury.
	CAUTION, used with the safety alert symbol, indicates a hazardous situation which, if not avoided, will result in minor or moderate injury.

Table of Contents

Table of Contents2	Assembly6-9
Safety Instructions for Miter Saw Stands3	Adjustments10
Unpacking and Checking Contents4	Operation11
Getting to Know Your Miter Saw Stand5	Maintenance12



Important Safety Instructions for Using This Miter Saw Stand

⚠ WARNING Read all safety warnings and all instructions. Failure to follow all instructions listed below and in your miter saw manual may result in serious personal injury.

Fully assemble and tighten all the fasteners required for this stand. Also remember to occasionally check the stand and make sure it is still tight. A loose stand is unstable and may shift in use and cause serious injury.

Turn tool switch off and disconnect power before mounting to the stand. Unintended startup during assembly can cause injury.

Before operating make sure the entire unit is placed on a solid, flat, level surface. Serious injury could occur if tool with stand is unstable and tips.

Never stand on tool or its stand or use as ladder or scaffolding. Serious injury could occur if the tool is tipped or the cutting tool is accidentally contacted. Do not store materials on or near the tool such that it is necessary to stand on the tool or its stand to reach them.

Use only Bosch replacement parts. Any others may create a hazard.

The Miter Saw should be firmly mounted to the stand per the instruction manual.

After mounting the Miter Saw to the stand, align, position and balance the Miter Saw per the instruction manual.

Before use, verify that all stand parts are free from damage and/or deformity.

Before use, verify that all parts or components of the stand are properly installed.

Before use, swing open each of the legs until the pin clicks, locking the legs in position.

When mounting the Miter Saw to the stand, make sure that the tool mounting brackets are in the "UNLOCK" position, so the tool mount will engage with the rails. Be sure to hold the saw until it is secured to prevent it from falling off the rails. Mounting bracket locking knobs should then be tightened.

When removing the Miter Saw from the stand, loosen the mounting bracket locking knobs until they rotate to the "UNLOCK" position. Hold the Miter Saw firmly to prevent the saw from falling off the rails. Carefully remove the Miter Saw.

Do not modify the stand in any manner or use the stand for any purpose other than is stated in these instructions.

Because cut material may cause the stand to become unbalanced, always be sure the material is supported properly. Also, if the piece being cut is placed far beyond the work support, stand legs on the opposite side may suddenly be lifted up due to weight imbalance. To prevent this from occurring, hold the opposite side firmly before cutting.

This T1B Miter Saw Stand is designed to be used with the following Bosch miter saws:

Other units may be compatible, but have not been verified for use with the T1B System.

Bosch Model Numbers:

GCM12SD, CM12SD, CM12, CM10GD, CM8S, 4212, 4212L, 4310, 4405, 4410, 4410L, 4412, 5412, 5412L, 3912, 3915, 3918, 3924

Unpacking and Checking Contents

⚠ WARNING For your own safety, never connect plug to power source outlet until all assembly steps are complete and until you have read and understood the entire owner's manual.

Model T1B Miter Saw Stand is shipped complete in one box.

Unpacking and Checking Contents

Separate all parts from packing materials and check each one with the "Table of Loose Parts" to make sure all items are accounted for before discarding any packing material.

⚠ WARNING If any parts are missing, do not attempt to assemble the stand until the missing parts are obtained and are installed correctly.

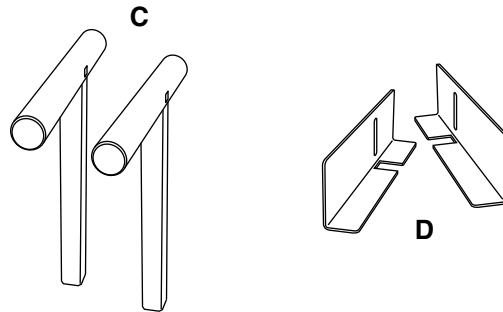
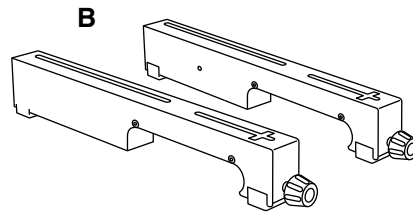
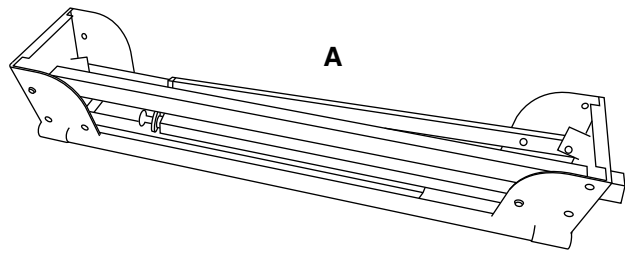
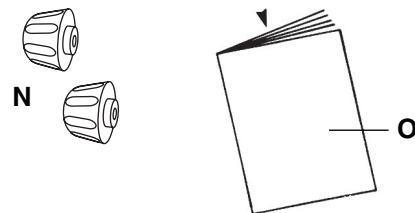
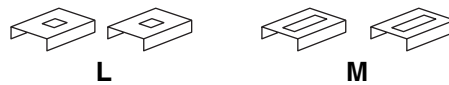
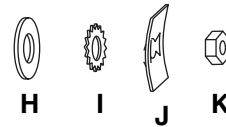
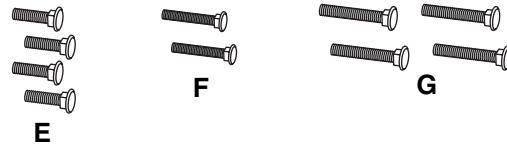


Table of Loose Parts

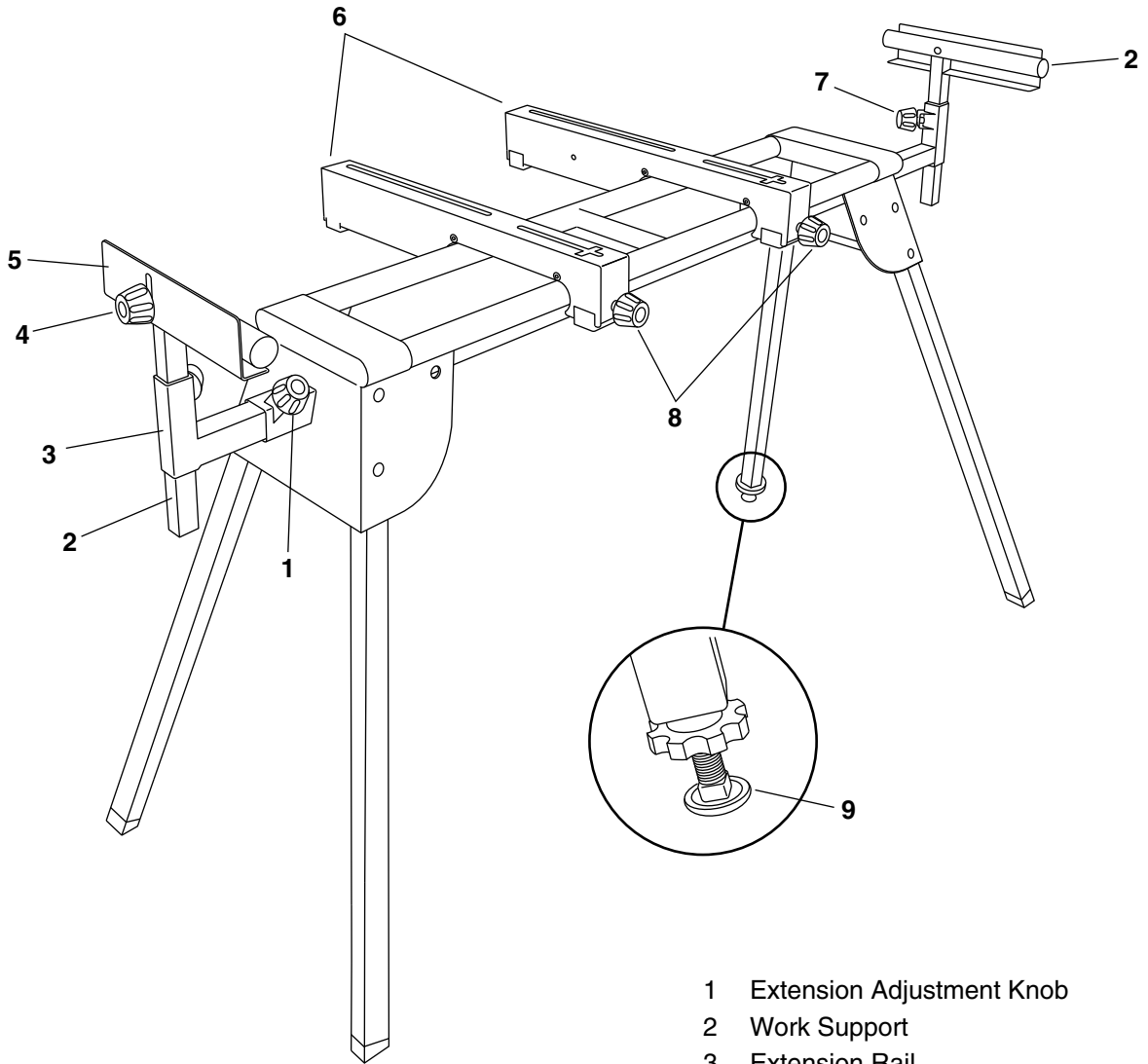
ITEM	DESCRIPTION	QTY.
A	Miter Saw Stand	1
B	Saw Mounting Brackets	2
C	Work Supports	2
D	Work Stops	2

STAND ASSEMBLY HARDWARE (packaged in one bag)

E	Carriage Bolts (M8 x 26 mm)	4
F	Carriage Bolts (M6 x 46 mm)	2
G	Carriage Bolts (M8 x 44 mm)	4
H	Flat Washers	4
I	Lock Washers	4
J	Bolt Retainer	2
K	Nuts	4
L	Short-Slot Sliding Mounting Plates	2
M	Long-Slot Sliding Mounting Plates	2
N	Work Stop Adjustment Knobs	2
O	Operating Guide	1



Getting To Know Your Miter Saw Stand



- 1 Extension Adjustment Knob
- 2 Work Support
- 3 Extension Rail
- 4 Work Stop Adjustment Knob
- 5 Work Stop
- 6 Saw Mounting Bracket
- 7 Work Support Adjustment Knob
- 8 Bracket Locking Knob
- 9 Adjustable Foot

Assembly

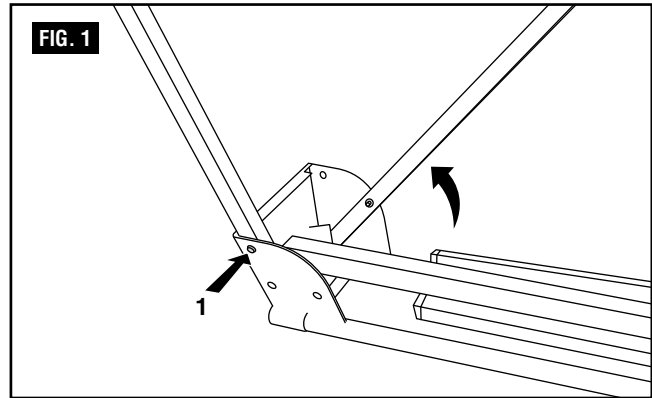
TOOLS NEEDED FOR ASSEMBLY

- Adjustable wrench
- Phillips® screwdriver

PREPARING THE STAND

See Figure 1.

1. Lay the stand's top surface down on the floor with the folded legs on top.
2. Push in a leg locking pin (1) and rotate that leg up until the locking pin clicks into place.
3. Repeat with the remaining three legs.
4. Lift the stand and place it in an upright position.
5. Check to ensure the stand is stable and all the legs have the locking pins engaged.



ASSEMBLING AND INSTALLING MATERIAL WORK SUPPORTS

See Figures 2 - 3.

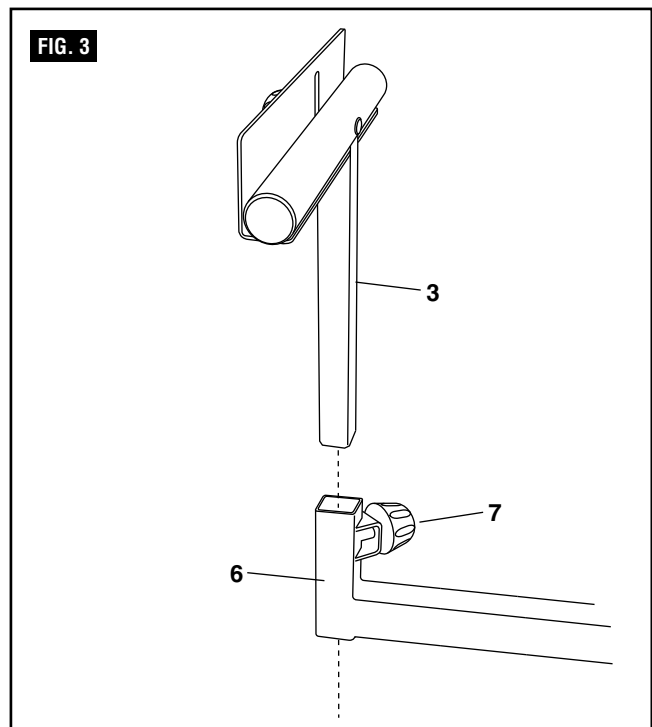
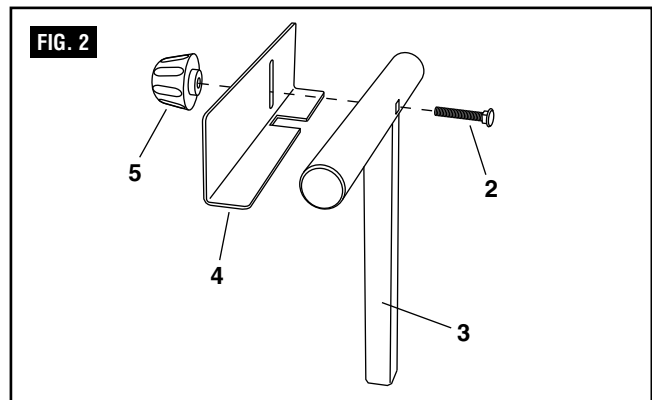
The material work supports help balance the workpiece during cutting operations.

To assemble the work support:

1. Slide a M6 x 46 mm carriage bolt (2) through the square hole in the work support (3) and extend through the other side.
2. Place the work stop (4) over the end of the bolt.
3. Thread a work stop adjustment knob (5) over the end of the bolt and tighten to secure.

To install the work supports:

1. Slide the work support (3) into the extension rail (6). Position the work support at the desired height on the extension rail and tighten (7) in place.
2. Repeat with the other support.



Assembly

PREPARING SAW MOUNTING BRACKETS

For GCM12SD, CM12SD, CM12, CM10GD, CM8S Miter Saws:

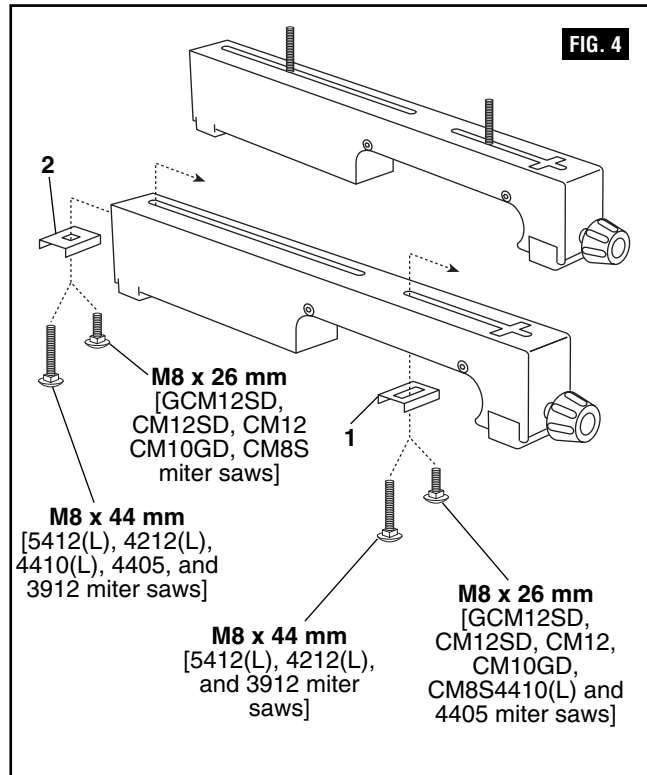
See Figure 4.

1. Place a Long-Slot Sliding Mounting Plate (1) onto two of the M8 x 26 mm carriage bolts and feed them into the front of the mounting bracket as shown in figure 4.
2. Place a Short-Slot Sliding Mounting Plate (2) onto two of the M8 x 26 mm carriage bolts and feed them into the rear of the mounting bracket as shown in figure 4.

For 5412(L), 4212(L), and 3912 Miter Saws:

See Figure 4.

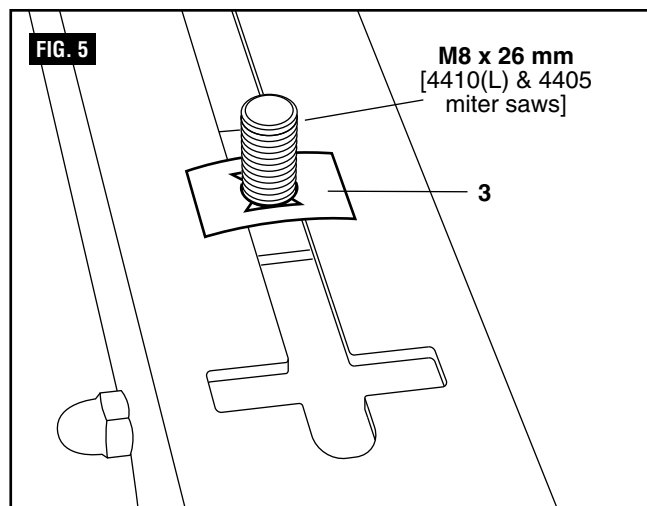
1. Place a Long-Slot Sliding Mounting Plate (1) onto two of the M8 x 44 mm carriage bolts and feed them into the front of the mounting bracket as shown in figure 4.
2. Place a Short-Slot Sliding Mounting Plate (2) onto two of the M8 x 44 mm carriage bolts and feed them into the rear of the mounting bracket as shown in figure 4.



For 4410(L) and 4405 Miter Saws:

See Figure 4 & 5.

1. Place a Long-Slot Sliding Mounting Plate (1) onto each of the M8 x 26 mm carriage bolts and feed them into the front of the mounting bracket as shown in figure 4.
2. Before sliding the mounting plate all the way forward, thread a Bolt Retainer (3) onto each bolt as shown in figure 5. When threaded completely, this will prevent the shorter bolt from falling below the top surface of the tool mount.
3. Place a Short-Slot Sliding Mounting Plate (2) onto two of the M8 x 44 mm carriage bolts and feed them into the rear of the mounting bracket as shown in figure 4.



Note: The Long-Slot Sliding Mounting Plate will align with the horizontal slot at the front of the mounting bracket to accommodate Bosch miter saws with offset mounting holes (5412(L), 4410(L) and 4212(L)).

Assembly

ATTACHING SAW TO SAW MOUNTING BRACKETS

See Figure 6 and 7.

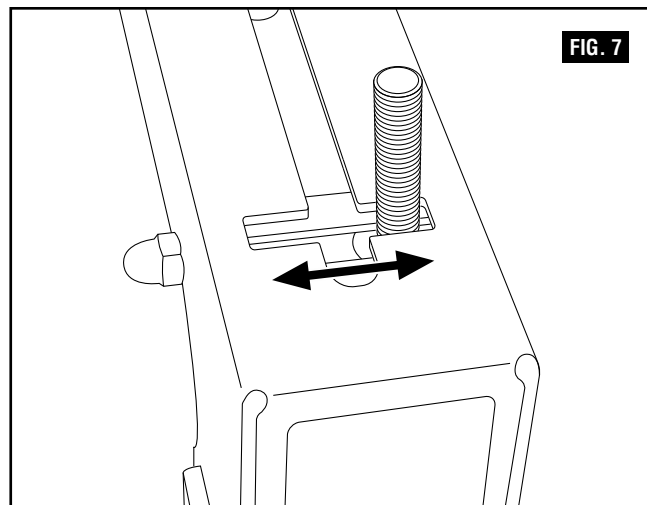
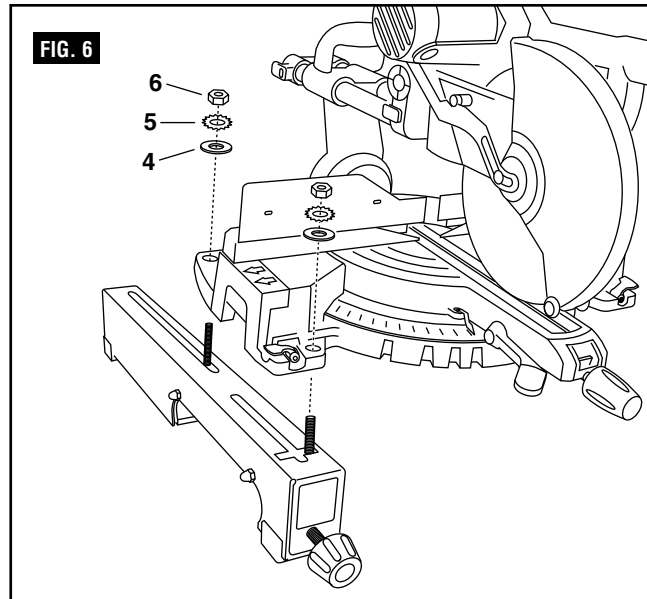
Always position the saw to achieve maximum balance and stability. All four corners of the saw must be bolted to the mounting brackets before use.

Your saw should have four holes that line up with the slots in the saw mounting brackets:

1. Unplug the saw and lock the saw arm in the down position.
2. Lift one side of the saw and place a saw mounting bracket underneath, aligning the carriage bolts with the miter saw mounting holes, as shown in figure 6.

Note: For saws with offset hole configurations, slide the front bolt left or right to properly align the tool to the mounting bracket as in Figure 7.

3. Lower the saw down onto the bracket, feeding the carriage bolts through the mounting holes.
4. Secure in place using a flat washer (4), lock washer (5), and nut (6).
5. Repeat steps 1 through 4 to install second bracket to the other side of the saw.
6. After making sure both brackets are parallel to each other, finger tighten all four nuts to hold in position. (See page 9 for mounting saw to the stand and final instructions on tightening nuts to properly secure saw to mounting brackets.)



Assembly

MOUNTING THE MITER SAW TO THE STAND

See Figures 8 - 9.

1. Lift the saw and bracket assembly, allowing the assembly to tilt slightly toward your body.
2. While still tilted toward you, hook the front edge of the bracket assembly onto the front rail (1) of the stand, figure 8.

⚠ WARNING To avoid serious personal injury, make sure the curved front edge of the mounting brackets are securely seated over the front rail before seating the other end of the brackets. Failure to do so could cause you to lose control of the saw mounting assembly.

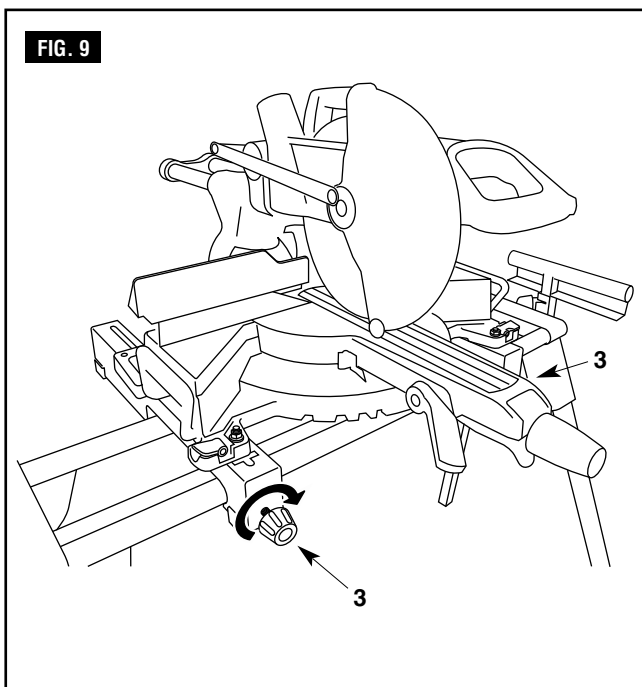
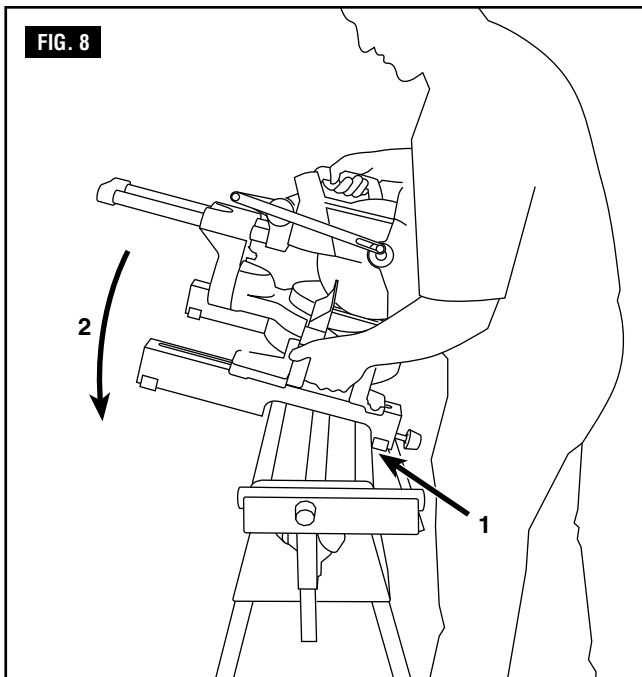
3. Lower the bracket assembly to allow the rear edge of the bracket to seat fully over the rear rail (2), figure 8.
4. Lock the brackets in position by tightening the locking knobs (3).

NOTE: Continue to hold the mounting bracket assembly with one hand until both levers are securely locked.

5. Check position and adjust, if necessary, to make sure the weight of the saw is evenly balanced over the rails as shown in figure 9.
6. Ensure the saw is fully seated and locked in position, then securely tighten the four nuts holding the saw to the saw mounting brackets.

To remove saw from stand:

1. Loosen the locking knobs to unlock the saw and mounting bracket assembly.
2. Lift the saw away from the rear rail of the stand to disengage.
3. With the assembly tilted slightly toward you, lift the front part of the assembly to disengage from the front rail of the stand.



⚠ WARNING The mounting brackets are designed to fit snugly over the stand rails. With the locking knobs in the tightened (locked) position, you should not be able to remove the saw and bracket assembly from the rails. If the mounting brackets will not fit over the rails, or if the mounting brackets can be removed from the rails when the brackets are locked, remove from the saw and bracket assembly immediately and tighten the bracket adjustment screw as described in the Adjustments section of this manual. Failure to heed this warning may result in personal injury.

Adjustments

BRACKET ADJUSTMENT SCREW

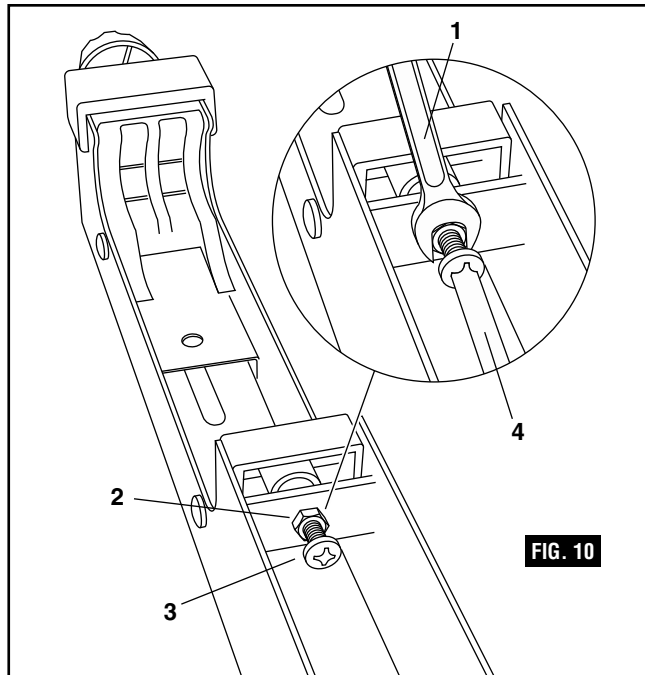
See Figure 10.

Mounting brackets are designed to fit snugly over the stand rails. When the locking knobs are tightened to their locked position, you should not be able to remove the saw and bracket assembly from the rails. If the saw and bracket assembly can be removed from the rails when locked, the bracket adjustment screws need to be tightened. If the saw and bracket assembly will not fit over both rails, the bracket adjustment screws need to be loosened.

NOTE: The saw should be removed from the mounting brackets before attempting to tighten or loosen the bracket adjustment screws.

To adjust:

1. Use a wrench (1) to slightly loosen the nut (2).
2. Turn the screw (3) with a phillips screwdriver (4). Rotate clockwise if the bracket assembly needs to be tightened or counterclockwise if the assembly needs to be loosened.
3. Install the bracket on the miter stand rails and lower the locking lever to check the adjustment.
4. When the correct position is achieved, wrench tighten the nut to secure.
5. Repeat with the second mounting bracket.



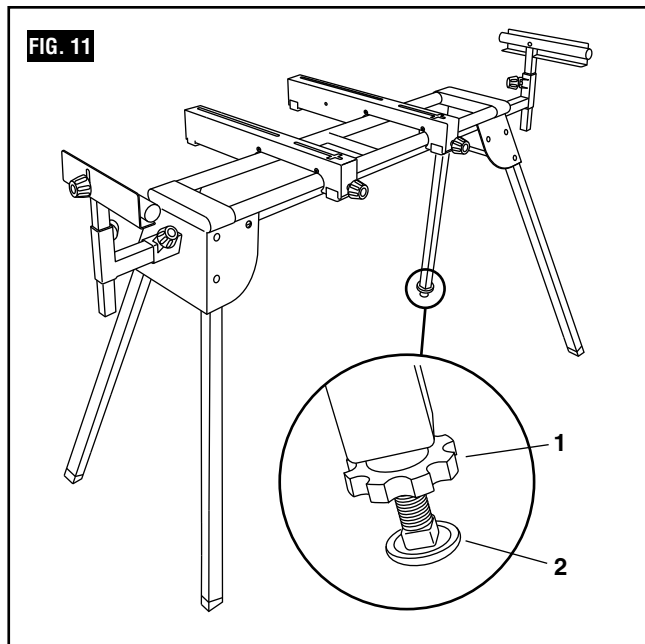
TO LEVEL STAND

See Figure 11.

The stand is equipped with an adjustable foot for leveling the stand.

To adjust: loosen wing nut (1) and adjust the height of the foot (2) by screwing the threaded shaft clockwise to raise foot or counter-clockwise to lower foot. Retighten wing nut securely.

⚠ WARNING To reduce the risk of injury, ensure the stand is stable and level before operating the saw. Choose a level area to set-up the stand and adjust the adjustable foot so that all four legs are touching the ground.



Operation

USING THE EXTENSION RAILS

See Figure 12.

Use the extension rails (1) when working with larger workpieces.

To extend the rails:

1. Loosen the extension adjustment knob (2).
2. Extend the rail (1) to the desired position.
3. Tighten the extension adjustment knob.

WORK SUPPORT HEIGHT ADJUSTMENT

See Figure 13.

1. Loosen the work support locking knob (3) located at the end of the expansion rail, as shown in figure 13, and raise the work height support (4) so it is level with the table top of the attached miter saw.
2. Retighten knob and repeat on opposite side.

⚠ WARNING To reduce the risk of injury, ensure that the work supports are adjusted so that the workpiece sits flat on the miter saw table. Workpieces that do not sit flat could cause the blade to bind during cutting.

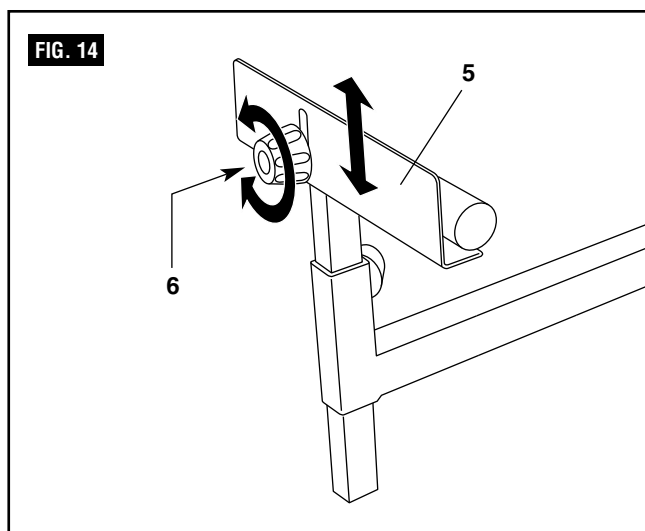
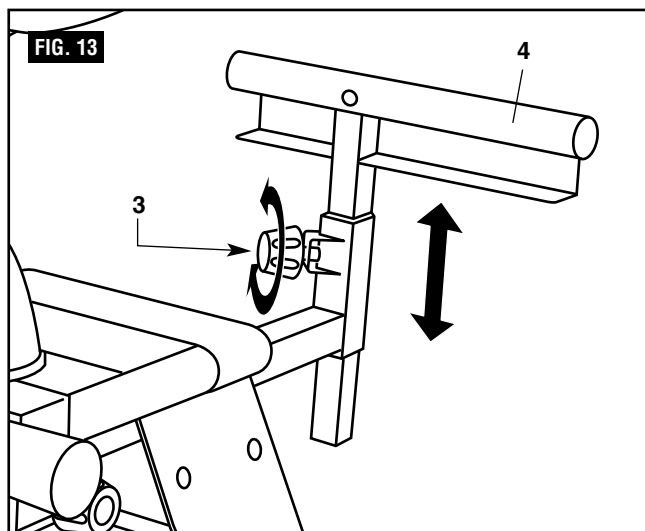
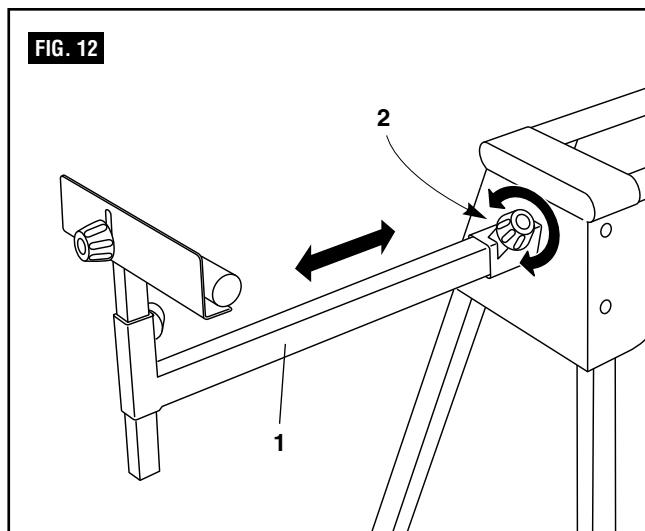
USING THE WORK STOPS

See Figure 14.

Raise the work stops (5) whenever you need to make repetitive cuts of the same size. To avoid a greater risk of binding or pinching, do not use both work stops at the same time.

To raise the work stops:

1. Loosen the work stop adjustment knob (6).
2. Raise the work stop (5) to the desired position.
3. Tighten the work stop adjustment knob.



Maintenance

⚠ WARNING To reduce the risk of injury, periodically check that all fasteners are attached and adjusted according to the assembly instructions included in this manual.

SERVICE

⚠ WARNING When servicing, use only identical Bosch replacement parts. Use of any other parts may create a hazard or cause product damage.

CLEANING

Avoid using solvents when cleaning plastic parts. Most plastics are susceptible to damage from various types of commercial solvents and may be damaged by their use. Use clean cloths to remove dirt, dust, oil, grease, etc.

⚠ WARNING Do not at any time let brake fluids, gasoline, petroleum-based products, penetrating oils, etc., come in contact with plastic parts. Chemicals can damage, weaken or destroy plastic which may result in serious personal injury.







<h2>Symboles relatifs à la sécurité</h2> <p>Les définitions ci-dessous décrivent le niveau de gravité pour chaque terme signalant un danger. Veuillez lire le mode d'emploi et lire la signification de ces symboles.</p>	
	<p>C'est le symbole d'alerte relatif à la sécurité. Il est utilisé pour vous avertir de l'existence possible d'un danger de lésion corporelle. Obéissez à tous les messages relatifs à la sécurité qui suivent ce symbole pour éviter tout risque de blessure ou même de mort.</p>
	<p>DANGER indique une situation dangereuse qui, si elle n'est pas évitée, causera la mort d'une personne ou une blessure grave.</p>
	<p>AVERTISSEMENT indique une situation dangereuse qui, si elle n'est pas évitée, pourrait causer la mort d'une personne ou une blessure grave.</p>
	<p>MISE EN GARDE, conjointement avec le symbole d'alerte en liaison avec la sécurité, indique une situation dangereuse qui, si elle n'est pas évitée, causera une blessure légère ou modérée.</p>

Table des matières

Table des matières	13	Assemblage	17-20
Consignes de sécurité pour les supports pour scie à onglet	14	Réglages.....	21
Déballage et inspection du contenu.....	15	Fonctionnement	22
Connaissance élémentaire de votre support pour scie à onglet	16	Entretien	23



Consignes de sécurité importantes pour l'utilisation de ce support pour scie à onglet

⚠ AVERTISSEMENT Veuillez lire tous les avertissements et toutes les consignes de sécurité. Le non-respect de toutes les instructions indiquées ci-dessous et dans le mode d'emploi de votre scie à onglet pourrait causer des blessures graves.

Assemblez complètement et serrez toutes les attaches de fixation requises pour ce support. Souvenez-vous aussi d'inspecter le support de temps en temps pour vous assurer que ses attaches de fixation sont toujours bien serrées. Un support dont les attaches de fixation seraient desserrées est instable et risquerait de bouger pendant l'emploi et de causer des blessures graves.

Mettez l'interrupteur de l'outil en position d'arrêt et débranchez le cordon d'alimentation avant de monter la scie sur le support. Une mise en marche accidentelle pendant le montage risquerait de causer des blessures graves.

Avant de mettre la scie en marche, assurez-vous qu'elle repose entièrement sur une surface solide, plate et horizontale. Le placement de la scie sur un support instable risquerait de la faire basculer et de causer des blessures graves.

Ne montez jamais sur la scie ou sur son support, et ne l'utilisez pas pour servir d'échelle ou d'échafaudage. Vous risqueriez une blessure grave si l'outil basculait ou en cas de contact accidentel avec l'outil. Ne placez pas de matériaux sur l'outil ou à proximité de celui-ci de telle manière qu'il pourrait être nécessaire de monter sur l'outil ou sur son support pour les atteindre.

N'utilisez que des pièces de rechange Bosch ; l'emploi de pièces différentes risquerait d'être dangereux.

La scie à onglet doit être montée fermement sur le support, conformément au mode d'emploi.

Après avoir monté la scie à onglet sur le support, alignez, positionnez et équilibrez la scie à onglet conformément au mode d'emploi.

Avant l'emploi, assurez-vous qu'aucune des parties du support n'est endommagée et/ou déformée.

Avant l'emploi, assurez-vous que tous les éléments ou composants du support sont installés correctement.

Avant l'emploi, ouvrez chacun des pieds jusqu'à ce que vous entendiez le dé clic indiquant que le pied est verrouillé en position ouverte.

Lorsque vous installez la scie à onglet sur le support, assurez-vous que les dispositifs de fixation de l'outil sont dans la position non verrouillée (« UNLOCK ») pour permettre à la monture de l'outil de s'engager sur les rails. Tenez toujours la scie dans vos mains tant qu'elle n'est pas assujettie en position verrouillée afin de ne pas risquer qu'elle tombe des rails. Serrez les boutons de verrouillage des dispositifs de fixation.

Lorsque vous retirez la scie à onglet du support, desserrez les boutons de verrouillage des dispositifs de fixation jusqu'à ce qu'ils tournent et se mettent dans la position non verrouillée (« UNLOCK »). Tenez fermement la scie à onglet pour l'empêcher de glisser hors des rails et de tomber. Retirez la scie à onglet avec précaution.

Ne modifiez pas le support de quelque manière que ce soit et ne l'utilisez pas dans un but autre que celui qui est indiqué dans ces instructions.

Étant donné que les matériaux que vous coupez risquent d'affecter l'équilibre du support, assurez-vous toujours que l'ouvrage est suffisamment supporté. En outre, si le matériau que vous coupez est placé de telle sorte qu'il dépasse nettement le support de la scie, les pieds du côté opposé risquent d'être soulevés tout à coup en raison du déséquilibre du poids. Pour ne pas risquer que cela se produise, tenez fermement le côté opposé avant de commencer à couper.

Ce support pour scie à onglet T1B est conçu pour emploi avec les scies à onglet Bosch suivantes :

D'autres scies peuvent être compatibles, mais leur compatibilité d'emploi avec le système T1B n'a pas été vérifiée.

Numéros de modèle Bosch :

GCM12SD, CM12SD, CM12, CM10GD, CM8S, 4212, 4212L, 4310, 4405, 4410, 4410L, 4412, 5412, 5412L, 3912, 3915, 3918, 3924

Déballage et inspection du contenu

⚠ AVERTISSEMENT Pour votre propre sécurité, ne branchez jamais la fiche dans une prise de courant avant que toutes les étapes de l'assemblage n'aient été accomplies – et avant d'avoir lu et compris tout le mode d'emploi.

Le support de la scie à onglet modèle T1B est expédié au complet dans une seule boîte.

Déballage et inspection du contenu

Déballage et inspection du contenu. Séparez toutes les « pièces en vrac » des matériaux d'emballage et comparez chaque élément à l'écriture correspondante dans le « Tableau des pièces en vrac » afin de vous assurer que tous les éléments sont présents avant de jeter de quelconques matériaux d'emballage.

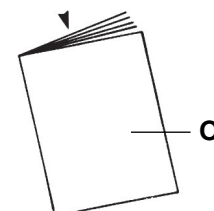
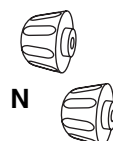
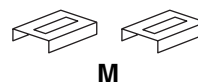
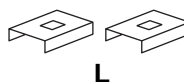
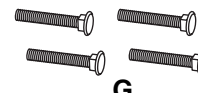
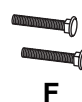
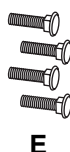
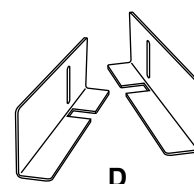
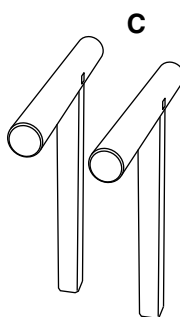
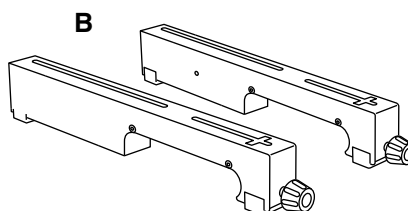
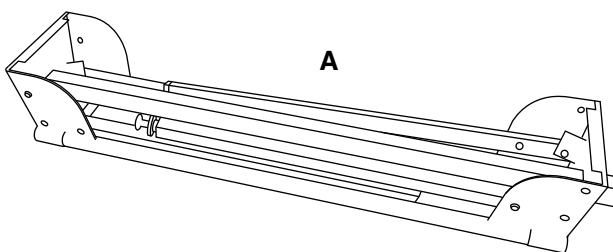
⚠ AVERTISSEMENT Si des pièces sont manquantes, ne tentez pas d'assembler le support avant de vous être procuré les pièces manquantes et de les avoir installées correctement.

Tableau des pièces en vrac

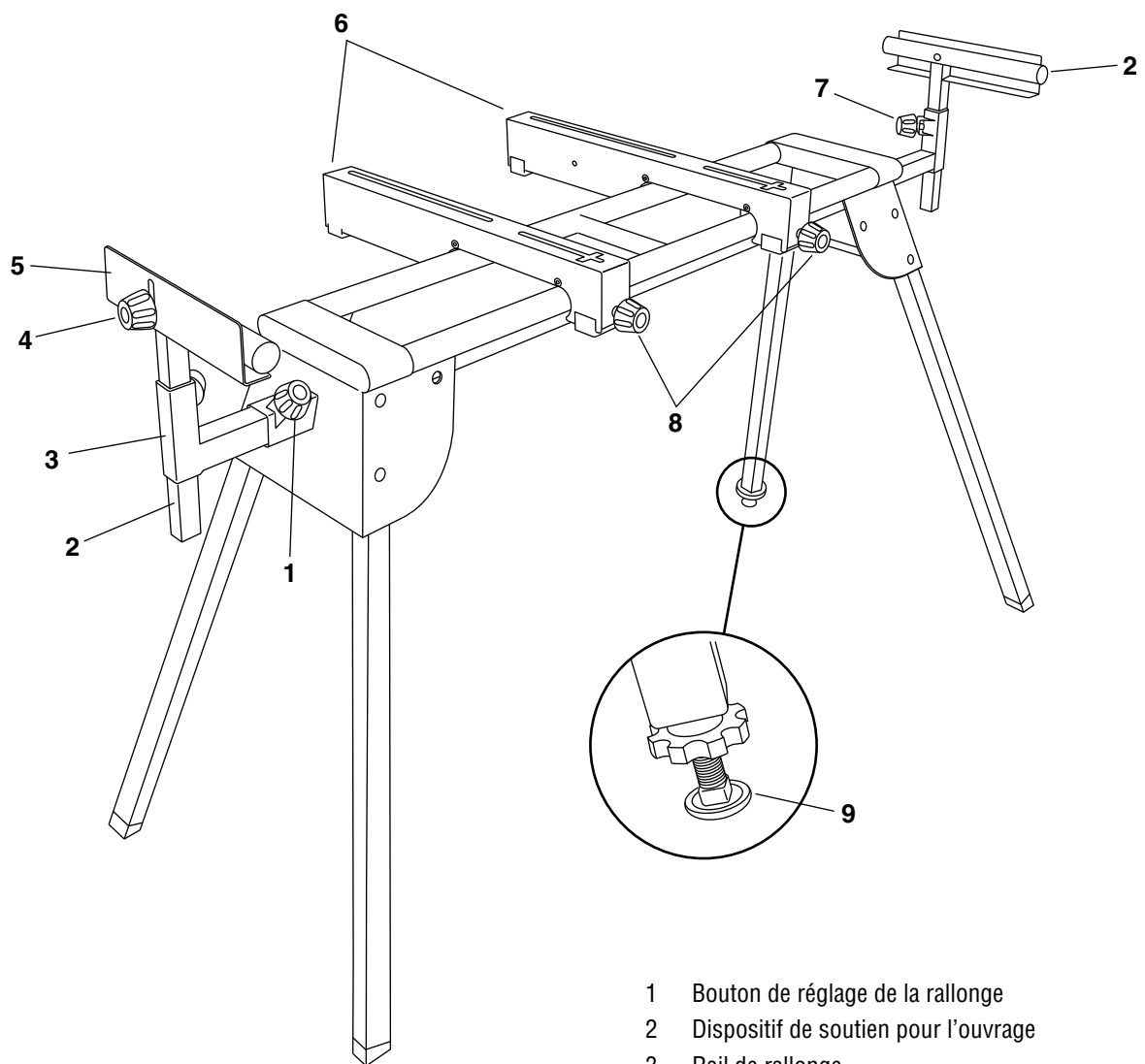
Article	Description	Qté
A	Support pour scie à onglet	1
B	Dispositifs de fixation de la scie	2
C	Dispositifs de soutien pour l'ouvrage	2
D	Butées pour l'ouvrage	2

QUINCAILLERIE DE MONTAGE DU SUPPORT (conditionnée dans un sac)

E	Boulons à tête bombée (M8 x 26 mm)	4
F	Boulons à tête bombée (M6 x 46 mm)	2
G	Boulons à tête bombée (M8 x 44 mm)	4
H	Rondelles plates	4
I	Rondelles Grower	4
J	Bolt Retainer	2
K	Écrous	4
L	Plaques de montage coulissantes à fente courte	2
M	Plaques de montage coulissantes à fente longue	2
N	Boutons de réglage des butées pour l'ouvrage	2
O	Guide d'utilisation	1



Connaissance élémentaire de votre support pour scie à onglet



- 1 Bouton de réglage de la rallonge
- 2 Dispositif de soutien pour l'ouvrage
- 3 Rail de rallonge
- 4 Bouton de réglage de la butée pour l'ouvrage
- 5 Butée pour l'ouvrage
- 6 Dispositif de fixation pour la scie
- 7 Bouton de réglage du dispositif de soutien de l'ouvrage
- 8 Bouton de verrouillage du dispositif de fixation
- 9 Pied réglable

Assemblage

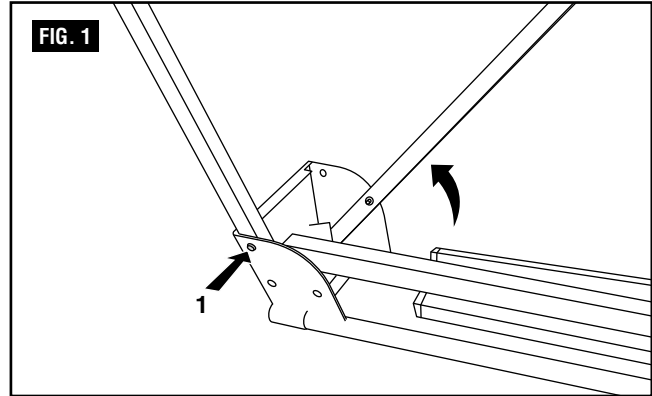
OUTILS NÉCESSAIRES À L'ASSEMBLAGE

- Clé à ouverture variable
- Tournevis à pointe cruciforme

PRÉPARATION DU SUPPORT

Voir Figure 1.

1. Posez la surface supérieure du support sur le sol avec les pieds repliés vers le haut.
2. Appuyez sur la broche de verrouillage du pied (1) et faites tourner ce pied vers le haut jusqu'à ce que la broche de verrouillage se mette à sa place en émettant un déclic.
3. Faites de même avec les trois autres pieds.
4. Soulevez le support et placez-le en position verticale.
5. Vérifiez pour vous assurer que le support est stable et que tous les pieds sont verrouillés par les broches prévues à cet effet.



ASSEMBLAGE ET INSTALLATION DES DISPOSITIFS DE SOUTIEN DE L'OUVRAGE

Voir Figures 2 – 3.

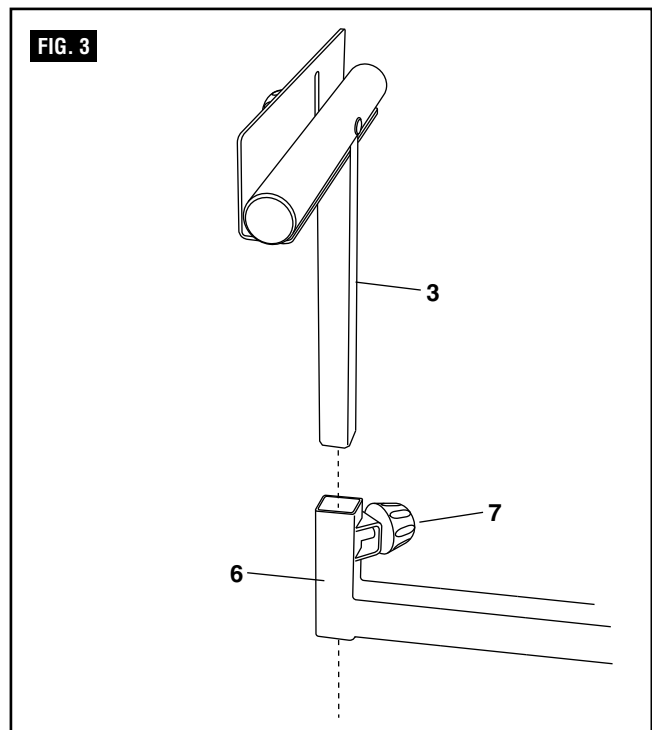
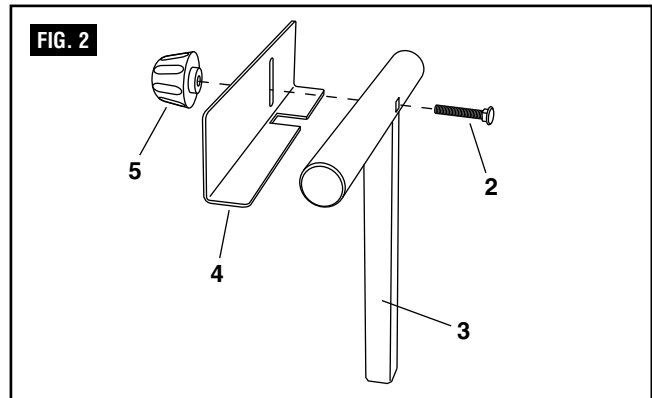
Les dispositifs de soutien de l'ouvrage contribuent à équilibrer celui-ci pendant les opérations de coupe.

Pour assembler les dispositifs de soutien de l'ouvrage :

1. Glissez un boulon à tête bombée M6 x 46 mm (2) à travers le trou carré dans le dispositif de soutien de l'ouvrage (3) et faites-le traverser jusqu'à l'autre côté.
2. Placez la butée pour l'ouvrage (4) au-dessus du bout du boulon.
3. Enfilez un bouton de réglage de la butée pour l'ouvrage (5) au-dessus du bout du boulon et serrez pour bien l'assujettir.

Pour installer les dispositifs de soutien de l'ouvrage :

1. Glissez le dispositif de soutien de l'ouvrage (3) sur le rail de rallonge (6). Positionnez le dispositif de soutien de l'ouvrage à la hauteur désirée sur le rail de rallonge et serrez (7) en place.
2. Faites de même avec l'autre dispositif de soutien.



Assemblage

PRÉPARATION DES DISPOSITIFS DE FIXATION DE LA SCIE

Pour les scies à onglet GCM12SD, CM12SD, CM12, CM10GD, CM8S :

Voir Figure 4.

1. Placez une plaque de montage coulissante à longue fente (1) sur deux des boulons de carrosserie M8 x 26 mm et faites avancer vers l'avant du support de montage comme illustré à la Figure 4.
2. Placez une plaque de montage coulissante à courte fente (2) sur deux des boulons de carrosserie M8 x 26 mm et faites avancer vers l'arrière du support de montage comme illustré à la Figure 4.

Pour les scies à onglet 5412(L), 4212(L) et 3912 :

Voir Figure 4.

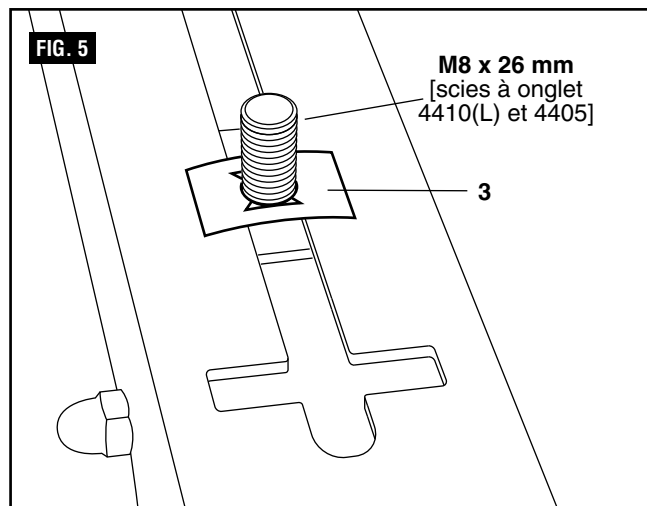
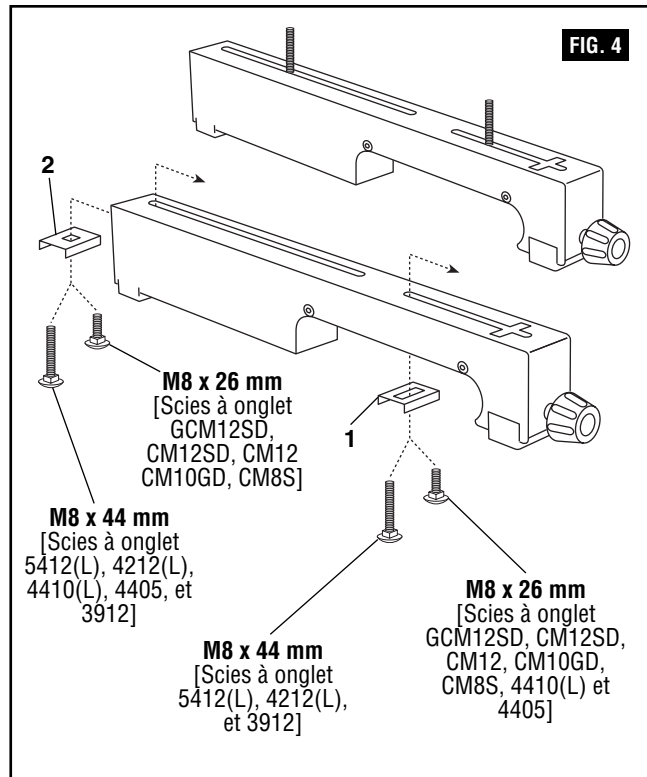
1. Placez une plaque de montage coulissante à fente longue (1) sur deux des boulons de carrosserie M8 x 44 mm, et enfillez-les dans la partie avant du support de montage comme illustré à la Figure 4.
2. Placez une plaque de montage coulissante à fente courte (2) sur deux des boulons de carrosserie M8 x 44 mm, et enfillez-les dans la partie arrière du support de montage comme illustré à la Figure 4.

Pour les scies à onglet 4410(L) et 4405 :

Voir Figures 4 & 5.

1. Placez une plaque de montage coulissante à fente longue (1) sur chacun des boulons de carrosserie M8 x 26 mm, et enfillez-les dans la partie avant du support de montage comme illustré à la Figure 4.
2. Avant de faire glisser la plaque de montage à fond vers l'avant, enfillez un dispositif de retenue de boulon (3) sur chaque boulon, comme illustré à la Figure 5. Quand il sera complètement enfilé, il empêchera le boulon le plus court de tomber au-dessous de la surface du haut de la monture de l'outil.
3. Placez une plaque de montage coulissante à fente courte (2) sur deux des boulons de carrosserie M8 x 44 mm, et enfillez-les dans la partie arrière du support de montage comme illustré à la Figure 4.

Remarque : la plaque de montage coulissante à fente longue s'alignera avec la fente horizontale à l'avant du dispositif de fixation pour recevoir des scies à onglet Bosch avec des trous de montage excentrés (5412L, 4410L et 4212L).



ATTACHEMENT DE LA SCIE AUX DISPOSITIFS DE FIXATION DE LA SCIE

Voir Figure 6 et 7.

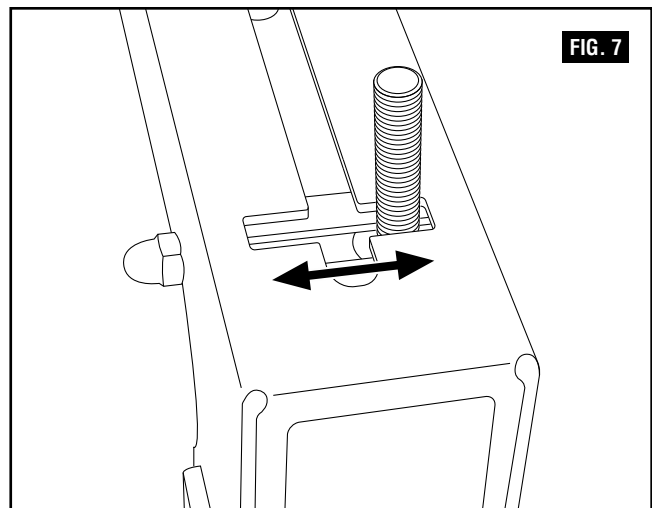
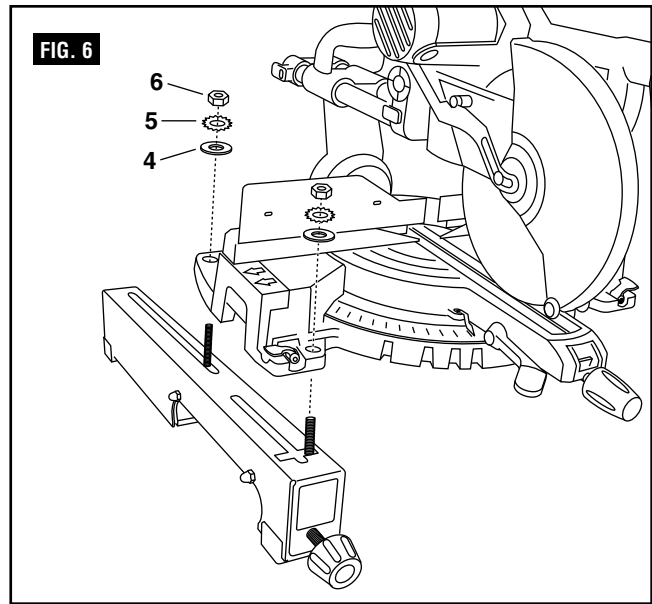
Positionnez toujours la scie de façon à assurer le meilleur équilibre possible et le maximum de stabilité. Tous les quatre coins de la scie doivent être boulonnés aux dispositifs de fixation avant l'emploi. Assurez-vous que les boulons ne dépassent pas au-dessus de la table sur laquelle la scie à onglet doit être placée.

Votre scie doit être pourvue de quatre trous qui s'alignent avec les fentes des dispositifs de fixation de la scie :

1. Débranchez la scie et verrouillez le bras de la scie en position abaissée.
2. Soulevez un côté de la scie et placez un dispositif de fixation de la scie en dessous, en alignant les boulons à tête bombée avec les trous de montage de la scie à onglet, comme illustré à la Figure 6.

Remarque : dans le cas des scies ayant des configurations avec des trous excentrés, faites glisser le boulon avant vers la gauche ou vers la droite pour aligner correctement l'outil avec le dispositif de fixation comme illustré à la Figure 7.

3. Abaissez la scie pour qu'elle repose sur le dispositif de soutien, et faites passer les boulons à tête bombée à travers les trous de montage.
4. Assujettissez en place au moyen d'une rondelle plate (4), d'une rondelle Grower (5) et d'un écrou (6).
5. Répétez les étapes 1 à 4 pour installer le deuxième dispositif de fixation de l'autre côté de la scie.
6. Après vous être assuré que les deux dispositifs de fixation sont parallèles l'un avec l'autre, serrez tous les quatre écrous à la main pour maintenir solidement en place.



Assemblage

MONTAGE DE LA SCIE À ONGLET SUR LE SUPPORT

Voir Figures 8 – 9.

1. Soulevez la scie et l'ensemble du dispositif de fixation en faisant en sorte que l'ensemble soit légèrement incliné vers vous.
2. Pendant que l'ensemble est toujours incliné vers vous, accrochez le bord avant de l'ensemble du dispositif de fixation sur le rail avant (1) du support, Figure 8.

⚠ AVERTISSEMENT Pour ne pas risquer de subir de blessure grave, assurez-vous que le bord avant recourbé des dispositifs de fixation repose bien au-dessus du rail du devant avant de mettre en place l'autre bout des dispositifs de fixation. Si vous ne faites pas cela, vous risquez de perdre le contrôle de l'ensemble de montage de la scie.

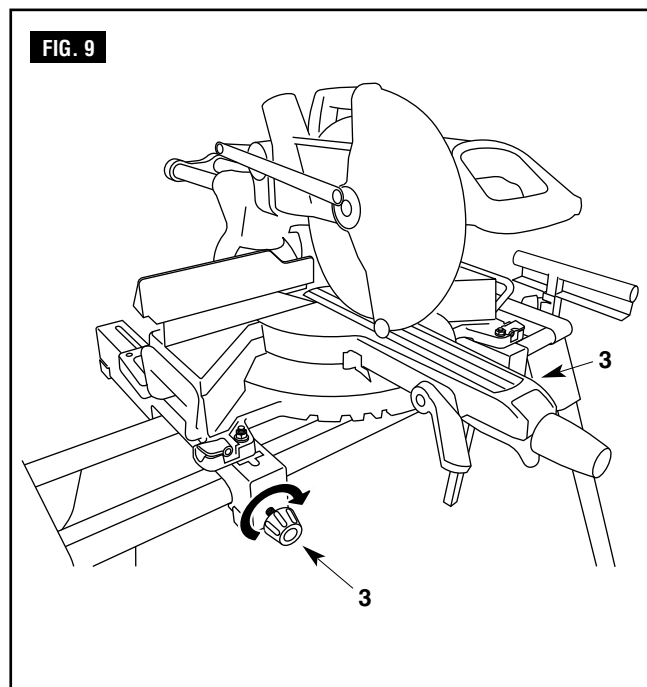
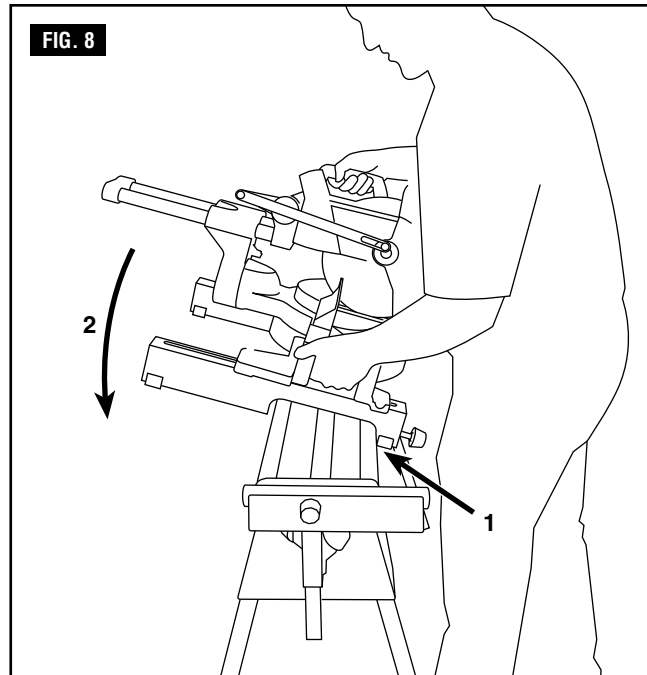
3. Abaissez l'ensemble du dispositif de fixation afin de permettre au bord arrière du dispositif de fixation de reposer complètement au-dessus (2) du rail arrière, Figure 8.
4. Verrouillez les dispositifs de fixation en place en serrant les boutons de verrouillage (3).

REMARQUE : continuez à tenir l'ensemble de dispositif de fixation d'une main jusqu'à ce que les deux leviers soient solidement verrouillés.

5. Vérifiez la position et ajustez-la, si nécessaire, pour vous assurer que le poids de la scie est équilibré de façon égale entre les rails, comme le montre la Figure 9.
6. Assurez-vous que la scie repose bien à sa place et qu'elle est verrouillée en position, puis serrez solidement les quatre écrous assujettissant la scie aux dispositifs de fixation de la scie.

Pour retirer la scie du support :

1. Desserrez les boutons de verrouillage afin de déverrouiller la scie et l'ensemble de dispositif de fixation.
2. Soulevez la scie pour l'éloigner du rail arrière du support afin de la libérer.
3. Avec l'ensemble incliné légèrement vers vous, soulevez la partie avant de l'ensemble pour le libérer du rail avant du support.



⚠ AVERTISSEMENT Les dispositifs de fixation sont conçus pour tenir parfaitement au-dessus des rails du support. Lorsque les boutons de verrouillage sont en position serrée (verrouillée), il ne devrait pas être possible de retirer la scie et l'ensemble de dispositif de fixation des rails. Si les dispositifs de fixation ne tiennent pas sur les rails, ou s'il s'avère possible de retirer les dispositifs de fixation des rails alors que lesdits dispositifs de fixation sont verrouillés, retirez-les immédiatement de la scie et de l'ensemble de fixation, et serrez la vis de réglage du dispositif de fixation comme cela est décrit sous la rubrique « Réglages » de ce mode d'emploi. Le non-respect de cet avertissement risquerait de causer de graves blessures corporelles.

Réglages

VIS DE RÉGLAGE DU DISPOSITIF DE FIXATION

Voir Figure 10.

Les dispositifs de fixation sont conçus pour tenir parfaitement au-dessus des rails du support. Lorsque les boutons de verrouillage sont serrés dans leur position verrouillée, il ne devrait pas être possible de retirer la scie et l'ensemble de dispositif de fixation des rails. S'il est possible de retirer la scie et l'ensemble de dispositif de fixation des rails quand les boutons sont en position verrouillée, il faut serrer les vis de réglage du dispositif de fixation. Si la scie et le dispositif de fixation ne tiennent pas sur les deux rails, il faut desserrer les vis de réglage du dispositif de fixation.

REMARQUE : il faut retirer la scie des dispositifs de fixation avant d'essayer de serrer ou de desserrer les vis de réglage des dispositifs de fixation.

Pour effectuer le réglage :

1. Utilisez une clé (1) pour desserrer légèrement l'écrou (2).
2. Tournez la vis (3) avec un tournevis à pointe cruciforme (4). Tournez dans le sens des aiguilles d'une montre s'il faut serrer l'ensemble de dispositif de fixation ou dans le sens contraire des aiguilles d'une montre s'il faut desserrer l'ensemble de dispositif de fixation.
3. Installez le dispositif de fixation sur les rails du support pour scie à onglet et abaissez le levier de verrouillage pour vérifier le réglage.
4. Après que la position correcte aura été obtenue, serrez l'écrou avec une clé pour verrouiller le dispositif de fixation en place.
5. Faites de même avec le second dispositif de fixation.

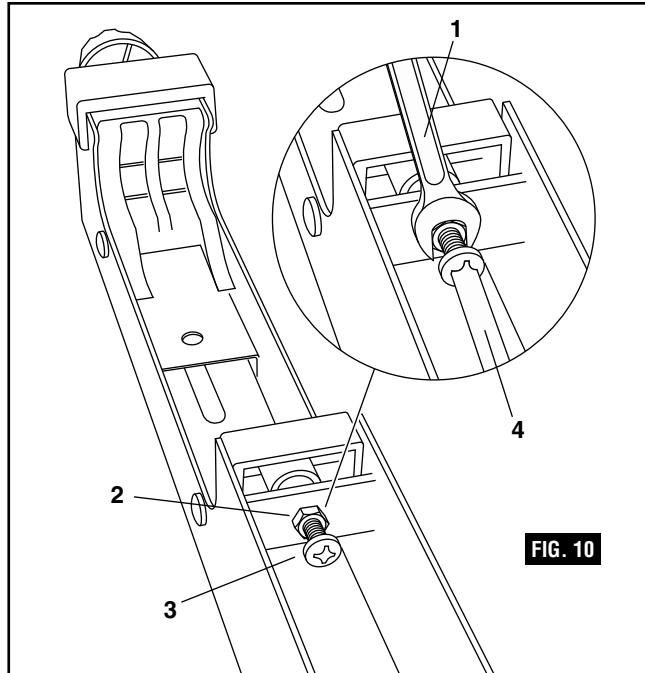


FIG. 10

MISE DE NIVEAU DU SUPPORT

Voir Figure 11.

Le support est muni d'un pied réglable qui permet d'effectuer une mise de niveau précise.

Pour effectuer le réglage : desserrez l'écrou à oreilles (1) et ajustez la hauteur du pied (2) en vissant l'arbre fileté dans le sens des aiguilles d'une montre pour élever le pied ou dans le sens contraire des aiguilles d'une montre pour abaisser le pied. Serrez à nouveau fermement l'écrou à oreilles.

AVERTISSEMENT Pour réduire le risque de blessure, assurez-vous que le support est stable et de niveau avant de vous servir de la scie. Choisissez une zone tout à fait horizontale pour y installer le support et ajustez la hauteur du pied réglable pour que tous les quatre pieds soient en contact avec le sol.

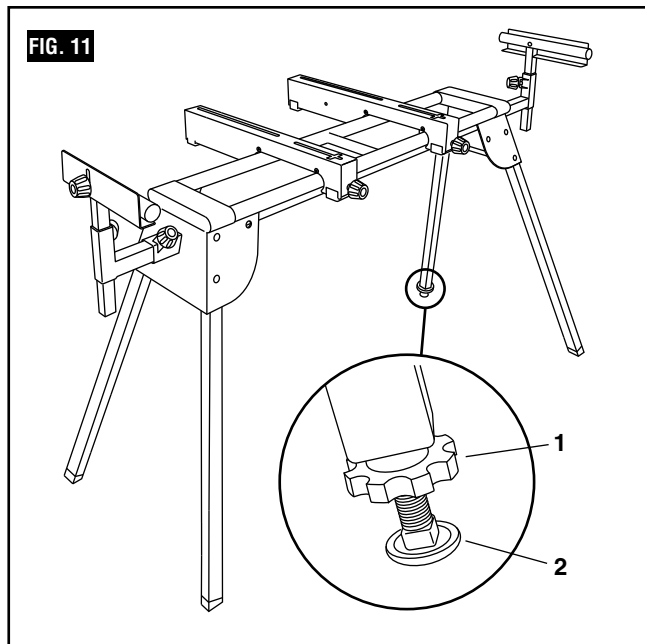


FIG. 11

Fonctionnement

UTILISATION DES RAILS DE RALLONGE

Voir Figure 12.

Utilisez les rails de rallonge (1) lorsque vous travaillez avec des ouvrages de grandes dimensions.

Pour allonger les rails :

1. Desserrez le bouton de réglage de l'allongement (2).
2. Allongez le rail (1) jusqu'à la position désirée.
3. Serrez le bouton de réglage de l'allongement.

RÉGLAGE DE LA HAUTEUR DU SUPPORT DE TRAVAIL

Voir Figure 13.

1. Desserrez le bouton de réglage du support de travail (3) qui se trouve au bout du rail de rallonge, comme on peut le voir à la Figure 13, et élevez la hauteur du support de travail (4) pour qu'il soit au même niveau que le dessus de la table sur laquelle se trouve la scie à onglet.
2. Serrez à nouveau le bouton et faites de même du côté opposé.

⚠ AVERTISSEMENT Pour réduire le risque de blessure, assurez-vous que les supports de travail sont ajustés de façon que l'ouvrage repose totalement à plat sur la table où se trouve la scie à onglet. Les ouvrages qui ne reposent pas totalement à plat peuvent causer le coincement de la lame pendant la coupe.

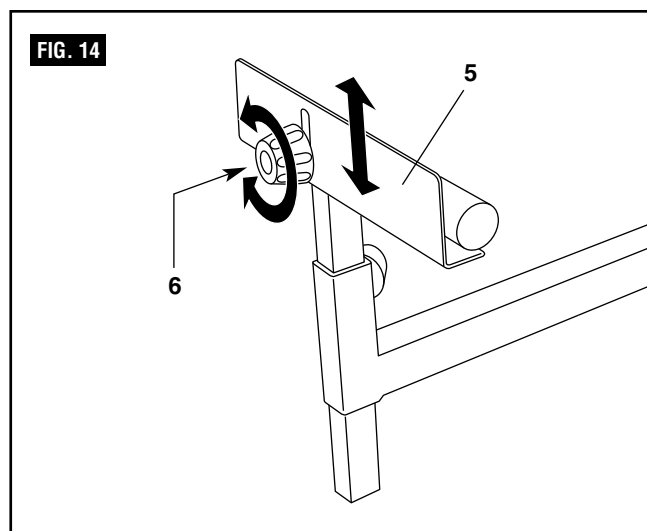
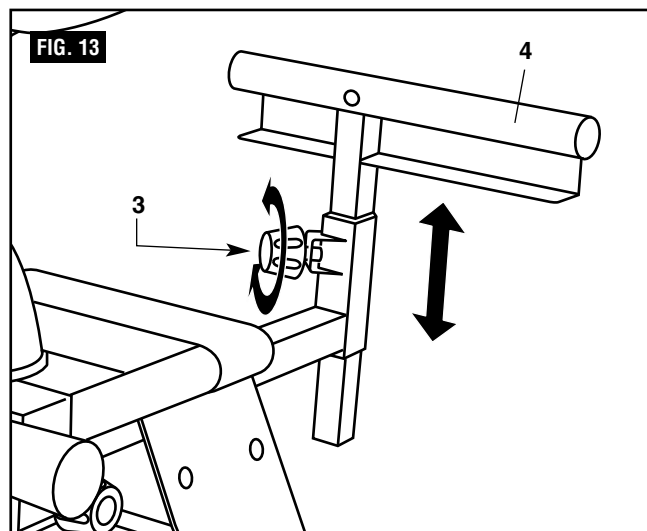
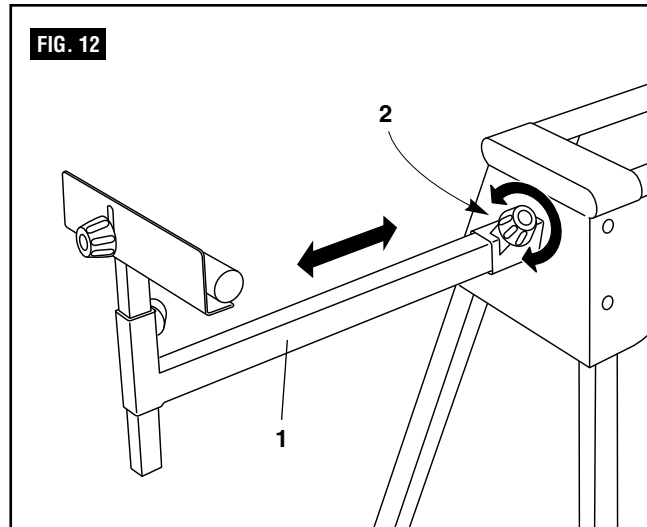
UTILISATION DES BUTÉES PRÉVUES POUR L'OUVRAGE

Voir Figure 14.

Élevez les butées prévues pour l'ouvrage (5) chaque fois que vous avez besoin de faire des coupes répétées de la même taille. Pour éviter un risque plus prononcé de coincement ou de pincement, n'utilisez pas les deux butées au même moment.

Pour élever les butées :

1. Desserrez le bouton de réglage de la butée pour l'ouvrage (6).
2. Élevez la butée (5) jusqu'à la position désirée.
3. Serrez le bouton de réglage de la butée pour l'ouvrage.



Entretien

⚠ Avertissement Pour réduire le risque de blessure, inspectez périodiquement toutes les attaches pour vous assurer qu'elles sont ajustées et fixées conformément aux instructions d'assemblage figurant dans ce mode d'emploi.

SERVICE APRÈS-VENTE

⚠ Avertissement N'utilisez que des pièces de rechange Bosch identiques lors de toute opération de service après-vente. L'utilisation de quelconques autres pièces pourrait créer un danger ou endommager le produit.

NETTOYAGE





Évitez d'utiliser des solvants lorsque vous nettoyez des pièces en plastique. La plupart des plastiques peuvent être endommagés par l'emploi de divers types de solvants commerciaux. Utilisez des tissus propres pour détacher les saletés, la poussière, l'huile, la graisse, etc.

⚠ Avertissement Ne laissez jamais des liquides de freins, de l'essence, des produits à base de pétrole, des huiles pénétrantes, etc. entrer en contact avec des pièces en plastique. Les produits chimiques risquent d'endommager, d'affaiblir ou de détruire les plastiques, ce qui pourrait causer indirectement de graves blessures corporelles.



Símbolos de seguridad

Las definiciones que aparecen a continuación describen el nivel de gravedad de cada palabra de señal de seguridad. Por favor, lea el manual y preste atención a estos símbolos.

	<p>Éste es el símbolo de alerta de seguridad. Se utiliza para alertarle a usted de posibles peligros de lesiones corporales. Obedezca todos los mensajes de seguridad que sigan a este símbolo para evitar posibles lesiones o muerte.</p>
	<p>PELIGRO indica una situación peligrosa que, si no se evita, causará la muerte o lesiones graves.</p>
	<p>ADVERTENCIA indica una situación peligrosa que, si no se evita, podría causar la muerte o lesiones graves.</p>
	<p>PRECAUCIÓN, cuando se utiliza con el símbolo de alerta de seguridad, indica una situación peligrosa que, si no se evita, causará lesiones leves o moderadas.</p>

Índice

Índice	24	Ensamblaje	28-31
Instrucciones de seguridad para bases de soporte para sierras para cortar ingletes	25	Ajustes	32
Desempaquetado y comprobación del contenido	26	Utilización	33
Familiarización con la base de soporte para sierras para cortar ingletes	27	Mantenimiento	34





Instrucciones de seguridad importantes para utilizar esta base de soporte para sierras para cortar ingletes

⚠ ADVERTENCIA Lea todas las advertencias de seguridad y todas las instrucciones. Si no se siguen todas las instrucciones que se indican a continuación y en el manual de su sierra para cortar ingletes, el resultado podría ser lesiones corporales graves.

Ensamble y apriete completamente todos los elementos de sujeción requeridos para esta base de soporte. Recuerde también comprobar ocasionalmente la base de soporte y asegurarse de que sigue estando apretada. Una base de soporte floja es inestable y podría desplazarse durante el uso y causar lesiones graves.

Ponga el interruptor de la herramienta en la posición de apagado y desconecte el enchufe de la fuente de alimentación antes de montar la base de soporte. Un arranque accidental durante el ensamblaje puede causar lesiones.

Antes de la utilización, asegúrese de que toda la unidad esté colocada sobre una superficie sólida, plana y nivelada. Podrían ocurrir lesiones graves si la herramienta con la base de soporte es inestable y se inclina.

No se suba nunca a la herramienta o a su base de soporte, ni la utilice como una escalera de mano o un andamio. Se podrían producir lesiones graves si la herramienta se vuelca o si se entra en contacto accidentalmente con la herramienta de corte. No almacene materiales sobre la herramienta ni cerca de ella de manera que sea necesario subirse a la herramienta o a su base de soporte para alcanzar dichos materiales.

Utilice únicamente piezas de repuesto Bosch; cualquier otra pieza podría crear un peligro.

La sierra para cortar ingletes se debe montar firmemente en la base de soporte de acuerdo con el manual de instrucciones.

Después de montar la sierra para cortar ingletes en la base de soporte, alinee, posicione y equilibre la sierra de acuerdo con el manual de instrucciones.

Antes de la utilización, verifique que todas las piezas de la base de soporte estén libres de daños y/o deformidad.

Antes de la utilización, verifique que todas las piezas o componentes de la base de soporte estén instalados correctamente.

Antes de la utilización, abra completamente cada una de las patas hasta que la espiga se acople con un chasquido, bloqueando las patas en esa posición.

Quando monte la sierra para cortar ingletes en la base de soporte, asegúrese de que los soportes de montaje de la herramienta estén en la posición "DESBLOQUEADA", para que la montura de la herramienta se acople con los rieles. Asegúrese de sostener la sierra hasta que esté firmemente sujeta, para evitar que se caiga de los rieles. Una vez que esté sujeta, se deben apretar los pomos de fijación de los soportes de montaje.

Quando retire de la base de soporte la sierra para cortar ingletes, afloje los pomos de fijación de los soportes de montaje hasta que giren hasta la posición "DESBLOQUEADA". Sostenga firmemente la sierra para cortar ingletes para evitar que se caiga de los rieles. Retire cuidadosamente la sierra para cortar ingletes.

No modifique la base de soporte de ninguna manera ni la utilice para propósitos que no sean los que se indican en estas instrucciones.

Debido a que el material cortado puede hacer que la base de soporte se desequilibre, asegúrese siempre de que el material esté soportado apropiadamente. Además, si la pieza de trabajo que se está cortando se coloca mucho más allá del soporte de la pieza de trabajo, las patas de la base de soporte ubicadas en el lado opuesto se podrían levantar repentinamente debido al desequilibrio de peso. Para evitar que esto ocurra, sostenga firmemente el lado opuesto antes de realizar el corte.

La base de soporte para sierras para cortar ingletes T1B está diseñada para utilizarse con las siguientes sierras para cortar ingletes Bosch:

Otras unidades pueden ser compatibles, pero no han sido verificadas para utilizarse con el Sistema T1B.

Números de modelo Bosch:

GCM12SD, CM12SD, CM12, CM10GD, CM8S, 4212, 4212L, 4310, 4405, 4410, 4410L, 4412, 5412, 5412L, 3912, 3915, 3918, 3924



Desempaquetado y comprobación del contenido

⚠ ADVERTENCIA Por su propia seguridad, no conecte nunca el enchufe al tomacorriente de la fuente de alimentación hasta que se hayan completado todos los pasos y hasta que usted haya leído y entendido todo el manual del usuario. La base de soporte para sierras para cortar ingletes modelo T1B se envía completa en una caja.

Desempaquetado y comprobación del contenido

Desempaquetado y comprobación del contenido. Separe todas las "piezas sueltas" de los materiales de empaquetamiento y compruebe cada artículo con la "Tabla de piezas sueltas", para asegurarse de que no falte ningún artículo antes de desechar cualquier material de empaquetamiento.

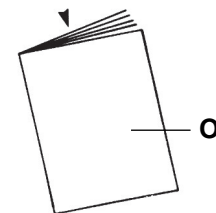
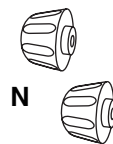
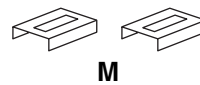
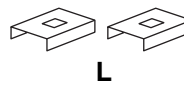
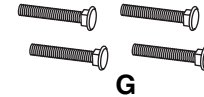
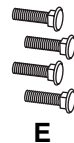
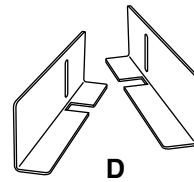
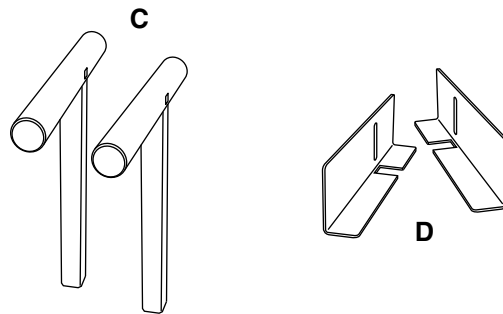
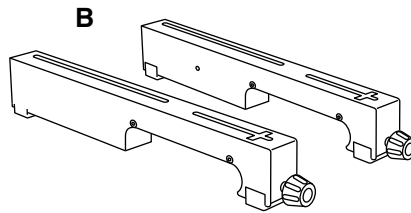
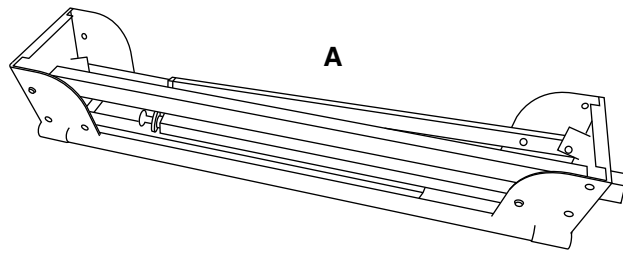
⚠ ADVERTENCIA Si falta alguna pieza, no intente ensamblar la base de soporte hasta que las piezas que faltan se hayan obtenido y se hayan instalado correctamente.

Tabla de piezas sueltas

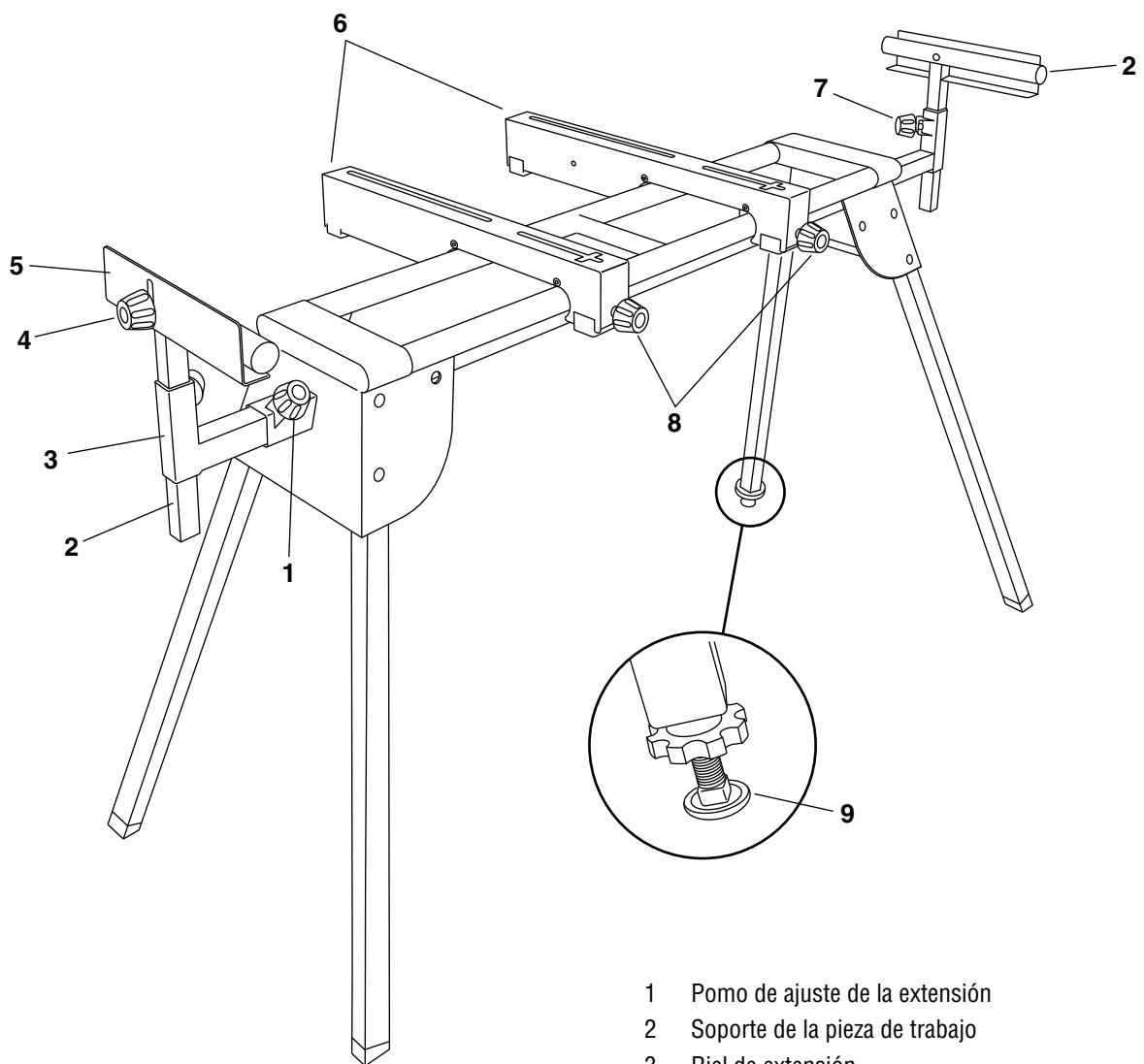
Artículo	Descripción	Cant.
A	Base de soporte para sierras para cortar ingletes	1
B	Soportes de montaje de la sierra	2
C	Soportes de la pieza de trabajo	2
D	Topes para la pieza de trabajo	2

HERRAJES DE ENSAMBLAJE DE LA BASE DE SOPORTE (empacados en una bolsa)

E	Pernos de carruaje (M8 x 26 mm)	4
F	Pernos de carruaje (M6 x 46 mm)	2
G	Pernos de carruaje (M8 x 44 mm)	4
H	Arandelas planas	4
I	Arandelas de seguridad	4
J	Bolt Retainer	2
K	Tuercas	4
L	Placas de montaje deslizantes de ranura corta	2
M	Placas de montaje deslizantes de ranura larga	2
N	Pomos de ajuste de los topes para la pieza de trabajo	2
O	Guía de utilización	1



Familiarización con la base de soporte para sierras para cortar ingletes



- 1 Pomo de ajuste de la extensión
- 2 Soporte de la pieza de trabajo
- 3 Riel de extensión
- 4 Pomo de ajuste del tope para la pieza de trabajo
- 5 Tope para la pieza de trabajo
- 6 Soporte de montaje de la sierra
- 7 Pomo de ajuste del soporte de la pieza de trabajo
- 8 Pomo de fijación de los soportes
- 9 Pie ajustable

Ensamblaje

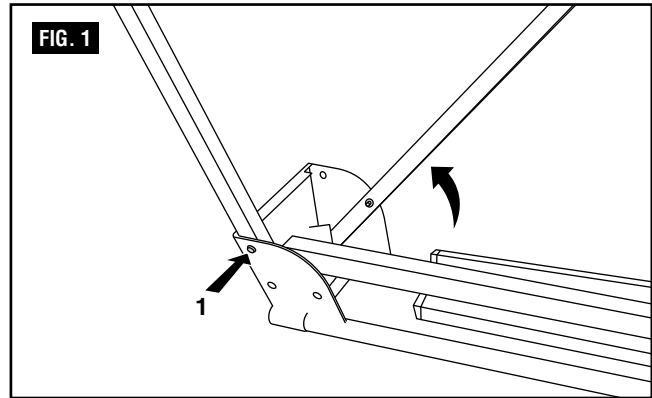
HERRAMIENTAS NECESARIAS PARA EL ENSAMBLAJE

- Llave de tuerca ajustable
- Destornillador Phillips®

PREPARACIÓN DE LA BASE DE SOPORTE

Vea la Figura 1.

1. Acueste la superficie superior de la base de soporte en el piso con las patas plegadas en la parte de arriba.
2. Empuje un pasador de fijación de pata (1) y gire esa pata hacia arriba hasta que el pasador de fijación se acople con un chasquido en la posición correcta.
3. Repita el procedimiento con las tres patas restantes.
4. Levante la base de soporte y póngala en posición vertical.
5. Asegúrese de que la base de soporte sea estable y de que todas las patas tengan acoplados los pasadores de fijación.



ENSAMBLAJE E INSTALACIÓN DE LOS SOPORTES DEL MATERIAL DE TRABAJO

Vea las Figuras 2 – 3.

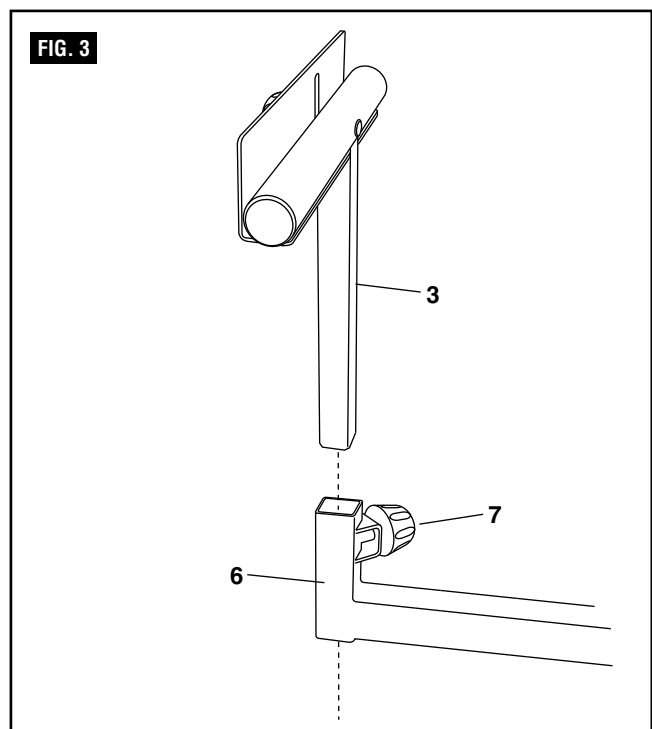
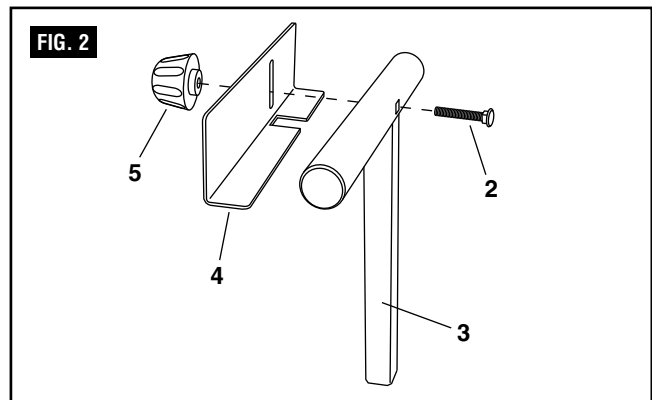
Los soportes del material de trabajo ayudan a equilibrar la pieza de trabajo durante las operaciones de corte.

Para ensamblar el soporte de la pieza de trabajo:

1. Deslice un perno de carruaje M6 x 46 mm (2) a través del agujero cuadrado ubicado en el soporte de la pieza de trabajo (3) y extiéndalo a través del otro lado.
2. Coloque el tope para la pieza de trabajo (4) sobre el extremo del perno.
3. Enrosque un pomo de ajuste del tope para la pieza de trabajo (5) en el extremo del perno y apriételo para sujetarlo firmemente.

Para instalar los soportes de la pieza de trabajo:

1. Deslice el soporte de la pieza de trabajo (3) al interior del riel de extensión (6). Posicione el soporte de la pieza de trabajo a la altura deseada en el riel de extensión y apriételo (7) en su sitio.
2. Repita el procedimiento con el otro soporte.



Ensamblaje

PREPARACIÓN DE LOS SOPORTES DE MONTAJE DE LA SIERRA

Para las sierras para cortar ingletes GCM12SD, CM12SD, CM12, CM10GD y CM8S:

Vea la Figura 4.

1. Coloque una placa de montaje deslizante de ranura larga (1) en dos de los pernos de carruaje M8 x 26 mm y pase los pernos a través de la parte delantera del soporte de montaje, de la manera que se muestra en la figura 4.
2. Coloque una placa de montaje deslizante de ranura corta (2) en dos de los pernos de carruaje M8 x 26 mm y pase los pernos a través de la parte trasera del soporte de montaje, de la manera que se muestra en la figura 4.

Para las sierras para cortar ingletes 5412(L), 4212(L) y 3912:

Vea la Figura 4.

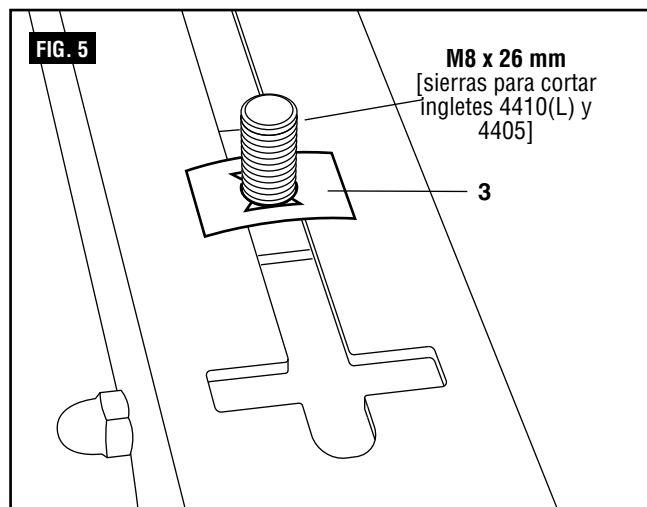
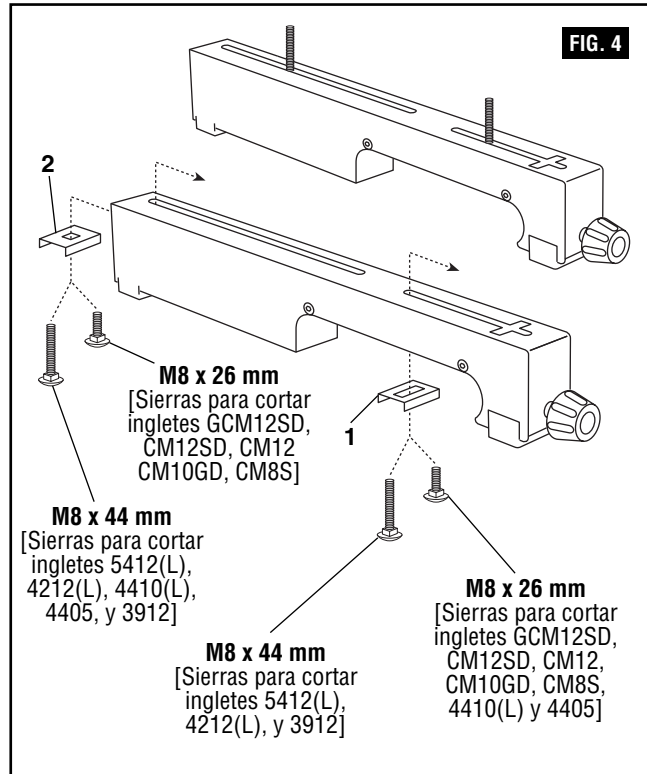
1. Coloque una placa de montaje deslizante de ranura larga (1) en dos de los pernos de carruaje M8 x 44 mm y pase los pernos a través de la parte delantera del soporte de montaje, de la manera que se muestra en la figura 4.
2. Coloque una placa de montaje deslizante de ranura corta (2) en dos de los pernos de carruaje M8 x 44 mm y pase los pernos a través de la parte trasera del soporte de montaje, de la manera que se muestra en la figura 4.

Para las sierras para cortar ingletes 4410(L) y 4405:

Vea las Figura 4 y 5.

1. Coloque una placa de montaje deslizante de ranura larga (1) en cada uno de los dos pernos de carruaje M8 x 26 mm y pase los pernos a través de la parte delantera del soporte de montaje, de la manera que se muestra en la figura 4.
2. Antes de deslizar la placa de montaje completamente hacia delante, enrosque un retenedor de perno (3) en cada perno, de la manera que se muestra en la figura 5. Cuando el retenedor esté enroscado completamente, esto evitará que el perno más corto caiga debajo de la superficie superior de la montura de la herramienta.
3. Coloque una placa de montaje deslizante de ranura corta (2) en dos de los pernos de carruaje M8 x 44 mm y pase los pernos a través de la parte trasera del soporte de montaje, de la manera que se muestra en la figura 4.

Nota: La placa de montaje deslizante de ranura larga se alineará con la ranura horizontal ubicada en la parte delantera del soporte de montaje para acomodar las sierras para cortar ingletes Bosch con agujeros de montaje desplazados (5412L, 4410L y 4212L).



Ensamblaje

INSTALACIÓN DE LA SIERRA EN LOS SOPORTES DE MONTAJE DE LA SIERRA

Vea la Figura 6 y 7.

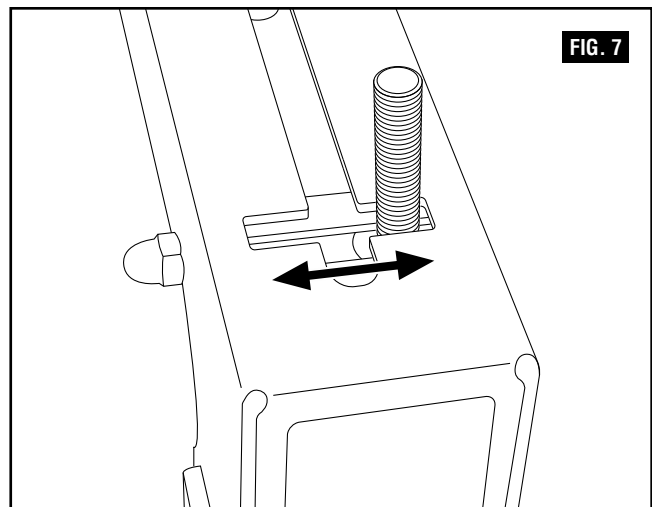
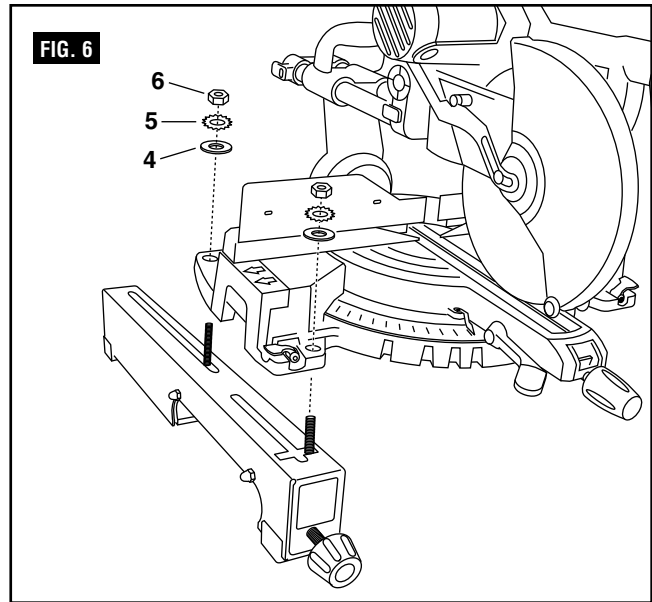
Posicione siempre la sierra de manera que se logre el máximo equilibrio y la máxima estabilidad. Las cuatro esquinas de la sierra se deben empernar a los soportes de montaje antes de la utilización. Asegúrese de que los pernos no se extiendan más allá de la mesa de la sierra para cortar ingletes.

Su sierra debería tener cuatro agujeros que se alinean con las ranuras ubicadas en los soportes de montaje de la sierra:

1. Desenchufe la sierra y bloquee el brazo de la sierra en la posición hacia abajo.
2. Levante un lado de la sierra y coloque un soporte de montaje de la sierra debajo de dicho lado, alineando los pernos de carruaje con los agujeros de montaje de la sierra para cortar ingletes, de la manera que se muestra en la figura 6.

Nota: En el caso de sierras con configuraciones de agujeros desplazados, deslice el perno delantero hacia la izquierda o hacia la derecha para alinear apropiadamente la herramienta con el soporte de montaje, de la manera que se muestra en la Figura 7.

3. Baje la sierra sobre el soporte, pasando los pernos de carruaje a través de los agujeros de montaje.
4. Sujete la sierra en la posición deseada utilizando una arandela plana (4), una arandela de seguridad (5) y una tuerca (6).
5. Repita los pasos 1 a 4 para instalar el segundo soporte en el otro lado de la sierra.
6. Después de asegurarse de que ambos soportes estén paralelos uno con otro, apriete con los dedos las cuatro tuercas para sujetarlos en la posición correcta.



Ensamblaje

MONTAJE DE LA SIERRA PARA CORTAR INGLETES EN LA BASE DE SOPORTE

Vea las Figuras 8 - 9.

1. Levante el ensamblaje de la sierra y los soportes, permitiendo que dicho ensamblaje se incline ligeramente hacia su cuerpo.
2. Mientras el ensamblaje aún está inclinado hacia usted, enganche el borde delantero del ensamblaje de los soportes en el riel delantero (1) de la base de soporte, figura 8.

⚠ ADVERTENCIA Para evitar lesiones corporales graves, asegúrese de que el borde delantero curvo de los soportes de montaje esté firmemente asentado sobre el riel delantero antes de asentar el otro extremo de los soportes. Si no se hace así, el resultado podría ser que usted pierda el control del ensamblaje de montaje de la sierra.

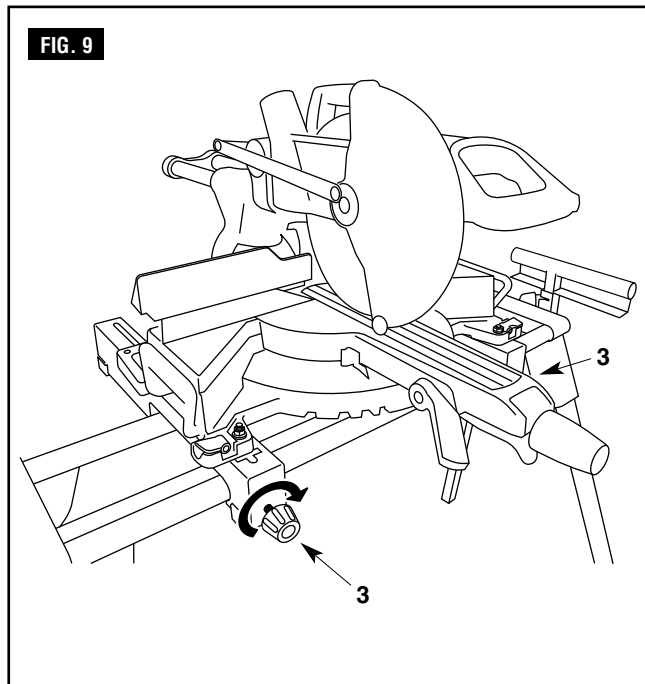
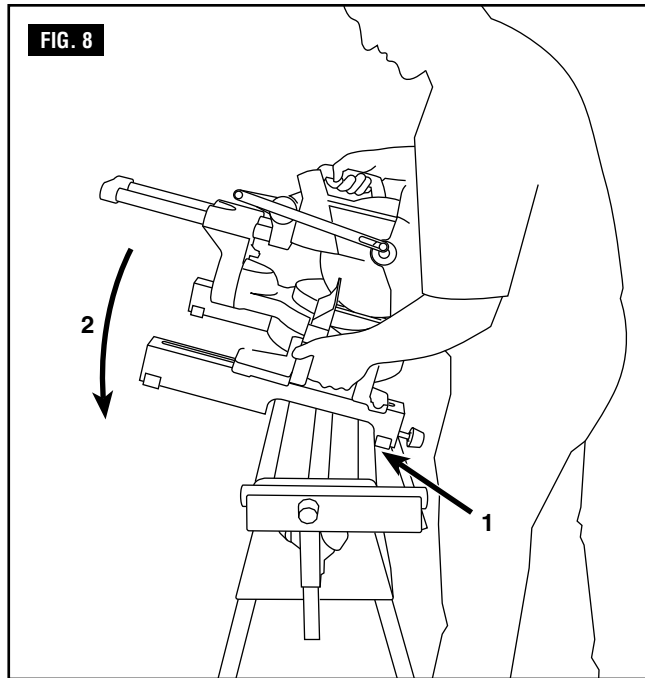
3. Baje el ensamblaje de los soportes para permitir que el borde trasero del soporte se asiente completamente sobre el riel trasero, figura 9.
4. Fije los soportes en la posición deseada apretando los pomos de fijación (3).

NOTA: Continúe sosteniendo el ensamblaje de los soportes de montaje con una mano hasta que ambas palancas estén firmemente bloqueadas.

5. Compruebe la posición y, si es necesario, ajústela para asegurarse de que el peso de la sierra esté equilibrado uniformemente sobre los rieles, de la manera que se muestra en la figura 9.
6. Asegúrese de que la sierra esté completamente asentada y fija en la posición deseada y luego apriete firmemente las cuatro tuercas que sujetan la sierra a los soportes de montaje de la sierra.

Para retirar la sierra de la base de soporte:

1. Afloje los pomos de fijación para desbloquear el ensamblaje de la sierra y los soportes de montaje.
2. Levante la sierra alejándola del riel trasero de la base de soporte para desacoplarla.
3. Con el ensamblaje inclinado ligeramente hacia usted, levante la parte delantera del ensamblaje para desacoplarlo del riel delantero de la base de soporte.



⚠ ADVERTENCIA Los soportes de montaje están diseñados para encajar perfectamente sobre los rieles de la base de soporte. Con los pomos de fijación en la posición apretada (bloqueados), usted no debería poder retirar de los rieles el ensamblaje de la sierra y los soportes. Si los soportes de montaje no encajan sobre los rieles, o si los soportes de montaje se pueden retirar de los rieles cuando estén bloqueados, retírelos inmediatamente del ensamblaje de la sierra y los soportes y apriete el tornillo de ajuste de cada soporte, tal y como se describe en la sección "Ajustes" de este manual. Si no se hace caso de esta advertencia, el resultado podría ser lesiones corporales graves.

Ajustes

TORNILLO DE AJUSTE DE LOS SOPORTES

Vea la Figura 10.

Los soportes de montaje están diseñados para encajar perfectamente sobre los rieles de la base de soporte. Con los pomos de fijación apretados en su posición bloqueada, usted no debería poder retirar de los rieles el ensamblaje de la sierra y los soportes. Si el ensamblaje de la sierra y los soportes se puede retirar de los rieles cuando esté bloqueado, será necesario apretar los tornillos de ajuste de los soportes. Si el ensamblaje de la sierra y los soportes no encaja sobre ambos rieles, será necesario aflojar los tornillos de ajuste de los soportes.

NOTA: La sierra se debe retirar de los soportes de montaje antes de intentar apretar o aflojar los tornillos de ajuste de los soportes.

Para ajustar los soportes:

1. Use una llave de tuerca (1) para aflojar ligeramente la tuerca (2).
2. Gire el tornillo (3) con un destornillador Phillips (4). Gírelo en el sentido de las agujas del reloj si es necesario apretar el ensamblaje de los soportes, o en sentido contrario al de las agujas del reloj si es necesario aflojar dicho ensamblaje.
3. Instale el soporte en los rieles de la base de soporte para sierras para cortar ingletes y baje la palanca de fijación para comprobar el ajuste.
4. Cuando se logre la posición correcta, apriete la tuerca para sujetarla firmemente, usando una llave de tuerca.
5. Repita el procedimiento con el segundo soporte de montaje.

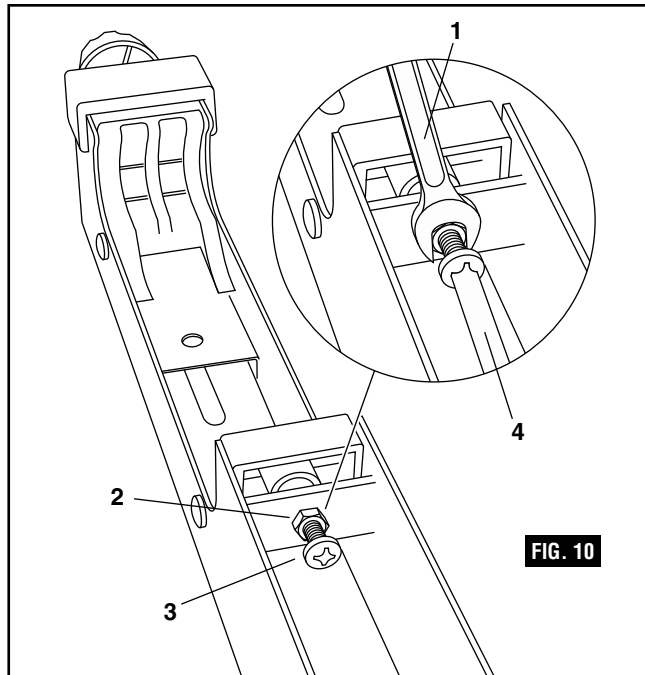


FIG. 10

PARA NIVELAR LA BASE DE SOPORTE

Vea la Figura 11.

La base de soporte está equipada con un pie ajustable para nivelarla.

Para ajustar el pie: afloje la tuerca de mariposa (1) y ajuste la altura del pie (2) enroscando el eje roscado en el sentido de las agujas del reloj para subir el pie, o en sentido contrario al de las agujas del reloj para bajarlo. Reapriete firmemente la tuerca de mariposa.

⚠ ADVERTENCIA Para reducir el riesgo de lesiones, asegúrese de que la base de soporte esté estable y nivelada antes de utilizar la sierra. Escoja un área nivelada para instalar la base de soporte y ajuste el pie ajustable para que las cuatro patas toquen el piso.

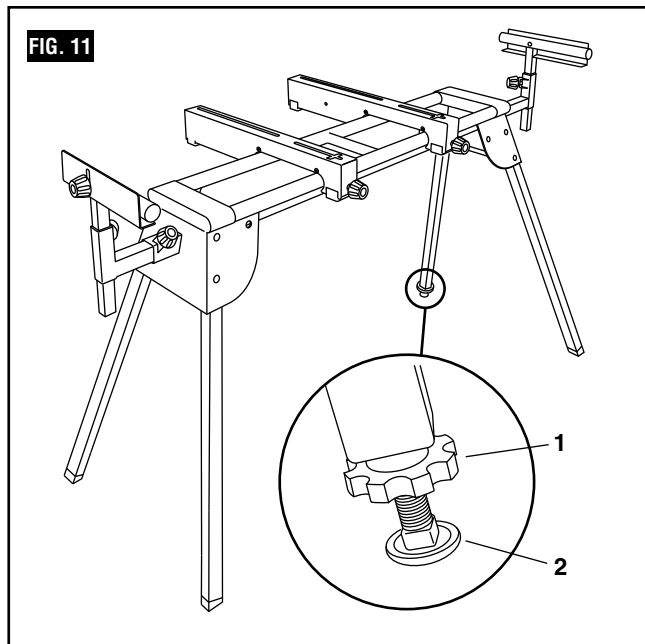


FIG. 11

Utilización

UTILIZACIÓN DE LOS RIELES DE EXTENSIÓN

Vea la Figura 12.

Utilice los rieles de extensión (1) cuando trabaje con piezas de trabajo más grandes.

Para extender los rieles:

1. Afloje el pomo de fijación de la extensión (2).
2. Extienda el riel (1) hasta la posición deseada.
3. Apriete el pomo de ajuste de la extensión.

AJUSTE DE LA ALTURA DE LOS SOPORTES DE LA PIEZA DE TRABAJO

Vea la Figura 13.

1. Afloje el pomo de fijación del soporte de la pieza de trabajo (3), ubicado en el extremo del riel de expansión, de la manera que se muestra en la figura 13, y suba el soporte de altura de la pieza de trabajo (4) de manera que quede nivelado con el tablero de la mesa de la sierra para cortar ingletes montada en la base de soporte.
2. Reapriete el pomo y repita el procedimiento en el lado opuesto.

⚠ ADVERTENCIA Para reducir el riesgo de lesiones, asegúrese de que los soportes de la pieza de trabajo estén ajustados de manera que la pieza de trabajo se asiente en posición plana sobre la mesa de la sierra para cortar ingletes. Las piezas de trabajo que no se asienten en posición plana podrían hacer que la hoja se atasque durante el corte.

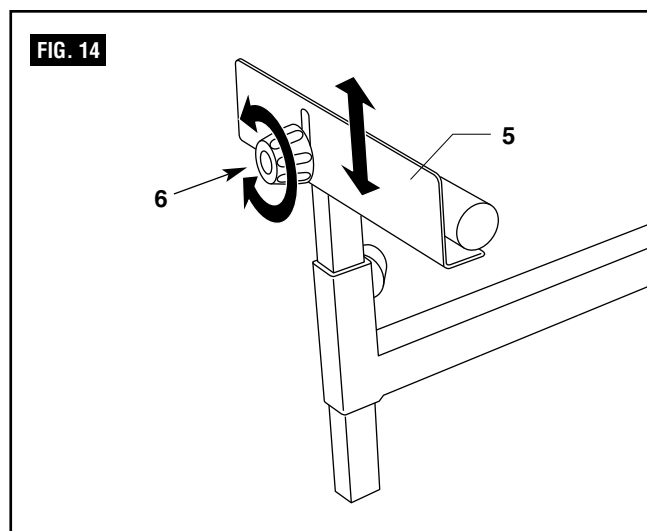
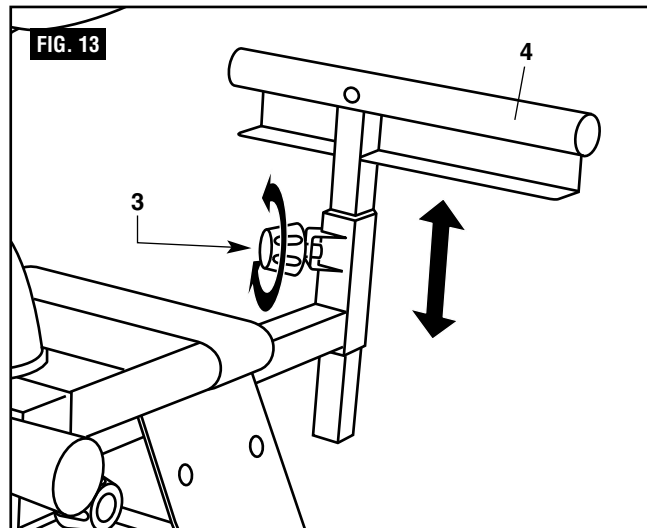
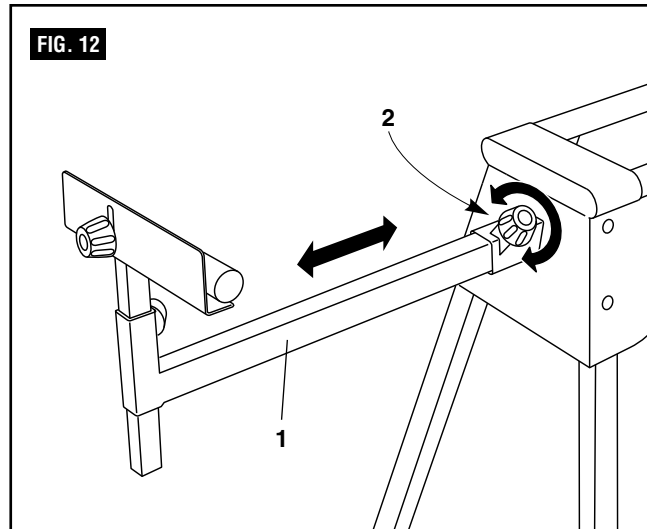
UTILIZACIÓN DE LOS TOPES PARA LA PIEZA DE TRABAJO

Vea la Figura 14.

Suba los topes para la pieza de trabajo (5) siempre que necesite hacer cortes repetitivos del mismo tamaño. Para evitar un riesgo mayor de atascamiento o pellizcamiento, no utilice ambos topes para la pieza de trabajo al mismo tiempo.

Para subir los topes para la pieza de trabajo:

1. Afloje el pomo de ajuste del tope para la pieza de trabajo (6).
2. Suba el tope para la pieza de trabajo (5) hasta la posición deseada.
3. Apriete el pomo de ajuste del tope para la pieza de trabajo.



Mantenimiento

⚠ ADVERTENCIA Para reducir el riesgo de lesiones, compruebe periódicamente que todos los elementos de sujeción estén instalados y ajustados de acuerdo con las instrucciones de ensamblaje incluidas en este manual.

SERVICIO

⚠ ADVERTENCIA Cuando haga servicio de ajustes y reparaciones, utilice únicamente piezas de repuesto Bosch idénticas. El uso de cualquier otra pieza puede crear un peligro o causar daños al producto.

LIMPIEZA

Evite utilizar solventes cuando limpie piezas de plástico. La mayoría de los plásticos son susceptibles a daños causados por varios tipos de solventes comerciales y pueden ser dañados por su uso. Use paños limpios para quitar la suciedad, el polvo, el aceite, la grasa, etc.

⚠ ADVERTENCIA No deje en ningún momento que líquidos de freno, gasolina, productos a base de petróleo, aceites penetrantes, etc., entren en contacto con las piezas de plástico. Las sustancias químicas pueden dañar, debilitar o destruir el plástico, lo cual podría causar lesiones corporales graves.



Notes / Remarques / Notas





LIMITED WARRANTY OF BOSCH PORTABLE AND BENCHTOP POWER TOOLS

Robert Bosch Tool Corporation ("Seller") warrants to the original purchaser only, that all BOSCH portable and benchtop power tools will be free from defects in material or workmanship for a period of one year from date of purchase. SELLER'S SOLE OBLIGATION AND YOUR EXCLUSIVE REMEDY under this Limited Warranty and, to the extent permitted by law, any warranty or condition implied by law, shall be the repair or replacement of parts, without charge, which are defective in material or workmanship and which have not been misused, carelessly handled, or misrepaired by persons other than Seller or Authorized Service Station. To make a claim under this Limited Warranty, you must return the complete portable or benchtop power tool product, transportation prepaid, to any BOSCH Factory Service Center or Authorized Service Station. For Authorized BOSCH Power Tool Service Stations, please refer to your phone directory.

THIS LIMITED WARRANTY DOES NOT APPLY TO ACCESSORY ITEMS SUCH AS CIRCULAR SAW BLADES, DRILL BITS, ROUTER BITS, JIGSAW BLADES, SANDING BELTS, GRINDING WHEELS AND OTHER RELATED ITEMS.

ANY IMPLIED WARRANTIES SHALL BE LIMITED IN DURATION TO ONE YEAR FROM DATE OF PURCHASE. SOME STATES IN THE U.S., SOME CANADIAN PROVINCES DO NOT ALLOW LIMITATIONS ON HOW LONG AN IMPLIED WARRANTY LASTS, SO THE ABOVE LIMITATION MAY NOT APPLY TO YOU.

IN NO EVENT SHALL SELLER BE LIABLE FOR ANY INCIDENTAL OR CONSEQUENTIAL DAMAGES (INCLUDING BUT NOT LIMITED TO LIABILITY FOR LOSS OF PROFITS) ARISING FROM THE SALE OR USE OF THIS PRODUCT. SOME STATES IN THE U.S. AND SOME CANADIAN PROVINCES DO NOT ALLOW THE EXCLUSION OR LIMITATION OF INCIDENTAL OR CONSEQUENTIAL DAMAGES, SO THE ABOVE LIMITATION OR EXCLUSION MAY NOT APPLY TO YOU.

THIS LIMITED WARRANTY GIVES YOU SPECIFIC LEGAL RIGHTS, AND YOU MAY ALSO HAVE OTHER RIGHTS WHICH VARY FROM STATE TO STATE IN THE U.S., PROVINCE TO PROVINCE IN CANADA AND FROM COUNTRY TO COUNTRY.

THIS LIMITED WARRANTY APPLIES ONLY TO PORTABLE AND BENCHTOP ELECTRIC TOOLS SOLD WITHIN THE UNITED STATES OF AMERICA, CANADA AND THE COMMONWEALTH OF PUERTO RICO. FOR WARRANTY COVERAGE WITHIN OTHER COUNTRIES, CONTACT YOUR LOCAL BOSCH DEALER OR IMPORTER.

GARANTIE LIMITÉE DES OUTILS ÉLECTRIQUES PORTATIFS ET D'ÉTABLI BOSCH

Robert Bosch Tool Corporation (le « vendeur ») garantit à l'acheteur initial seulement que tous les outils électriques portatifs et d'établi BOSCH seront exempts de vices de matériaux ou d'exécution pendant une période d'un an depuis la date d'achat. LA SEULE OBLIGATION DU VENDEUR ET LE SEUL RECOURS DE L'ACHETEUR sous la présente garantie limitée, et en autant que la loi le permette sous toute garantie ou condition implicite qui en découlerait, sera l'obligation de remplacer ou réparer gratuitement les pièces défectueuses matériellement ou comme fabrication, pourvu que lesdites déficiences ne soient pas attribuables à un usage abusif ou à quelque réparation bricolée par quelqu'un d'autre que le vendeur ou le personnel d'une station-service agréée. Pour présenter une réclamation en vertu de cette garantie limitée, vous devez renvoyer l'outil électrique portatif ou d'établi complet, port payé, à tout centre de service agréé ou centre de service usine. Veuillez consulter votre annuaire téléphonique pour les adresses.

LA PRÉSENTE GARANTIE NE S'APPLIQUE PAS AUX ACCESSOIRES TELS QUE LAMES DE SCIES CIRCULAIRES, MÈCHES DE PERCEUSES, FERS DE TOUPIES, LAMES DE SCIES SAUTEUSES, COURROIES DE PONÇAGE, MEULES ET AUTRES ARTICLES DU GENRE.

TOUTE GARANTIE IMPLICITE SERA LIMITÉE COMME DURÉE À UN AN À COMPTER DE LA DATE D'ACHAT. CERTAINS ÉTATS AMÉRICAINS, CERTAINES PROVINCES CANADIENNES N'ADMETTANT PAS LE PRINCIPE DE LA LIMITATION DE LA DURÉE DES GARANTIES IMPLICITES, IL EST POSSIBLE QUE LES LIMITATIONS CI-DESSUS NE S'APPLIQUENT PAS À VOTRE CAS.

EN AUCUN CAS LE VENDEUR NE SAURAIT ÊTRE TENU POUR RESPONSABLE DES INCIDENTS OU DOMMAGES INDIRECTS (INCLUANT, MAIS NE SE LIMITANT PAS AUX PERTES DE PROFITS) CONSÉCUTIFS À LA VENTE OU L'USAGE DE CE PRODUIT. CERTAINS ÉTATS AMÉRICAINS ET CERTAINES PROVINCES CANADIENNES N'ADMETTANT PAS LE PRINCIPE DE LA LIMITATION NI L'EXCLUSION DES DOMMAGES INDIRECTS ET CONSÉQUENTIELS, IL EST POSSIBLE QUE LES LIMITATIONS OU EXCLUSIONS CI-DESSUS NE S'APPLIQUENT PAS À VOTRE CAS.

LA PRÉSENTE GARANTIE VOUS ACCORDE DES DROITS BIEN DÉTERMINÉS, Y COMPRIS POSSIBLEMENT CERTAINS DROITS VARIABLES DANS LES DIFFÉRENTS ÉTATS AMÉRICAINS, PROVINCES CANADIENNE ET DE PAYS À PAYS.

CETTE GARANTIE LIMITÉE NE S'APPLIQUE QU'AUX OUTILS ÉLECTRIQUES PORTATIFS ET D'ÉTABLI VENDUS AUX ÉTATS-UNIS D'AMÉRIQUE, AU CANADA ET AU COMMONWEALTH DE PORTO RICO. POUR COUVERTURE DE GARANTIE DANS LES AUTRES PAYS, CONTACTEZ VOTRE IMPORTATEUR OU REVENDEUR BOSCH LOCAL.

GARANTIA LIMITADA PARA HERRAMIENTAS MECANICAS PORTATILES Y PARA TABLERO DE BANCO BOSCH

Robert Bosch Tool Corporation ("el Vendedor") garantiza, únicamente al comprador original, que todas las herramientas mecánicas portátiles y para tablero de banco BOSCH estarán libres de defectos de material o de fabricación durante un período de un año a partir de la fecha de compra. LA UNICA OBLIGACION DEL VENDEDOR Y EL RECURSO EXCLUSIVO QUE USTED TIENE bajo esta Garantía Limitada y, hasta donde la ley lo permita, bajo cualquier garantía o condición implícita por ley, consistirá en la reparación o sustitución sin costo de las piezas que presenten defectos de material o de fabricación y que no hayan sido utilizadas incorrectamente, manejadas descuidadamente o reparadas incorrectamente por personas que no sean el Vendedor o una Estación de servicio autorizada. Para efectuar una reclamación bajo esta Garantía Limitada, usted debe devolver el producto, que consiste en la herramienta mecánica portátil o para tablero de banco completa, con el transporte pagado, a cualquier Centro de servicio de fábrica o Estación de servicio autorizada. Para Estaciones de servicio autorizadas de herramientas mecánicas BOSCH, por favor, consulte el directorio telefónico.

ESTA GARANTIA LIMITADA NO SE APLICA A ARTICULOS ACCESORIOS TALES COMO HOJAS PARA SIERRAS CIRCULARES, BROCAS PARA TALADROS, BROCAS PARA FRESADORAS, HOJAS PARA SIERRAS DE VAIVEN, CORREAS PARA LIJAR, RUEDAS DE AMOLAR Y OTROS ARTICULOS RELACIONADOS.

TODAS LAS GARANTIAS IMPLICITAS TENDRAN UNA DURACION LIMITADA A UN AÑO A PARTIR DE LA FECHA DE COMPRA. ALGUNOS ESTADOS DE LOS EE.UU. Y ALGUNAS PROVINCIAS CANADIENSES NO PERMITEN LIMITACIONES EN CUANTO A LA DURACION DE UNA GARANTIA IMPLICITA, POR LO QUE ES POSIBLE QUE LA LIMITACION ANTERIOR NO SEA APLICABLE EN EL CASO DE USTED.

EL VENDEDOR NO SERA RESPONSABLE EN NINGUN CASO DE NINGUN DAÑO INCIDENTAL O EMERGENTE (INCLUYENDO PERO NO LIMITADO A RESPONSABILIDAD POR PERDIDA DE BENEFICIOS) QUE SE PRODUZCA COMO CONSECUENCIA DE LA VENTA O UTILIZACION DE ESTE PRODUCTO. ALGUNOS ESTADOS DE LOS EE.UU. Y ALGUNAS PROVINCIAS CANADIENSES NO PERMITEN LA EXCLUSION O LIMITACION DE LOS DAÑOS INCIDENTALES O EMERGENTES, POR LO QUE ES POSIBLE QUE LA LIMITACION O EXCLUSION ANTERIOR NO SEA APLICABLE EN EL CASO DE USTED.

ESTA GARANTIA LIMITADA LE CONFIERE A USTED DERECHOS LEGALES ESPECIFICOS Y ES POSIBLE QUE USTED TAMBIEN TENGA OTROS DERECHOS QUE VARIAN DE ESTADO A ESTADO EN LOS EE.UU., DE PROVINCIA A PROVINCIA EN CANADA Y DE UN PAIS A OTRO.

ESTA GARANTIA LIMITADA SE APLICA SOLAMENTE A HERRAMIENTAS ELECTRICAS PORTATILES Y PARA TABLERO DE BANCO VENDIDAS EN LOS ESTADOS UNIDOS DE AMERICA, CANADA Y EL ESTADO LIBRE ASOCIADO DE PUERTO RICO. PARA COBERTURA DE GARANTIA EN OTROS PAISES, PONGASE EN CONTACTO CON SU DISTRIBUIDOR O IMPORTADOR LOCAL DE BOSCH.

© Robert Bosch Tool Corporation 1800 W. Central Road Mt. Prospect, IL 60056-2230

Exportado por: Robert Bosch Tool Corporation Mt. Prospect, IL 60056-2230, E.U.A.

Importado en México por: Robert Bosch, S.A. de C.V., Calle Robert Bosch No. 405, Zona Industrial, Toluca, Edo. de México, C.P. 50070, Tel. (722) 2792300

