

IMPORTANT
Read Before Using

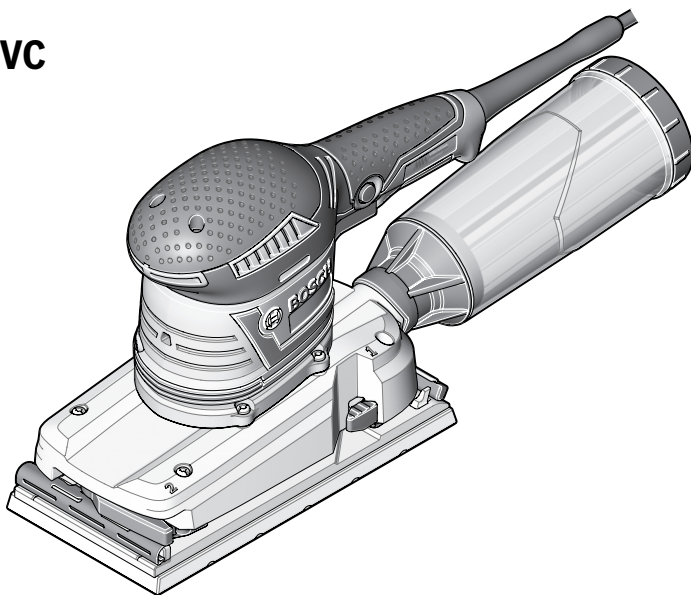
IMPORTANT
Lire avant usage

IMPORTANTE
Leer antes de usar



Operating / Safety Instructions
Consignes d'utilisation/de sécurité
Instrucciones de funcionamiento y seguridad

OS50VC



BOSCH

Call Toll Free for Consumer Information and Service Locations

Pour obtenir des informations et les adresses de nos centres de service après-vente, appelez ce numéro gratuit

Llame gratis para obtener información para el consumidor y ubicaciones de servicio

1-877-BOSCH99 (1-877-267-2499) www.boschtools.com





For English Version
See page 2

Version française
Voir page 14

Versión en español
Ver la página 26

Safety Symbols

The definitions below describe the level of severity for each signal word. Please read the manual and pay attention to these symbols.

	This is the safety alert symbol. It is used to alert you to potential personal injury hazards. Obey all safety messages that follow this symbol to avoid possible injury or death.
	DANGER indicates a hazardous situation which, if not avoided, will result in death or serious injury.
	WARNING indicates a hazardous situation which, if not avoided, could result in death or serious injury.
	CAUTION indicates a hazardous situation which, if not avoided, could result in minor or moderate injury.

General Power Tool Safety Warnings

WARNING Read all safety warnings, instructions, illustrations and specifications provided with this power tool. Failure to follow all instructions listed below may result in electric shock, fire and/or serious injury.

SAVE ALL WARNINGS AND INSTRUCTIONS FOR FUTURE REFERENCE

The term “power tool” in the warnings refers to your mains-operated (corded) power tool or battery-operated (cordless) power tool.

Work area safety

Keep work area clean and well lit. Cluttered or dark areas invite accidents.

Do not operate power tools in explosive atmospheres, such as in the presence of flammable liquids, gases or dust. Power tools create sparks which may ignite the dust or fumes.

Keep children and bystanders away while operating a power tool. Distractions can cause you to lose control.

Electrical safety

Power tool plugs must match the outlet. Never modify the plug in any way. Do not use any adapter plugs with earthed (grounded) power tools. Unmodified plugs and matching outlets will reduce risk of electric shock.

Avoid body contact with earthed or grounded surfaces, such as pipes, radiators, ranges and refrigerators. There is an increased risk of electric shock if your body is earthed or grounded.

Do not expose power tools to rain or wet conditions. Water entering a power tool will

increase the risk of electric shock.

Do not abuse the cord. Never use the cord for carrying, pulling or unplugging the power tool. Keep cord away from heat, oil, sharp edges or moving parts. Damaged or entangled cords increase the risk of electric shock.

When operating a power tool outdoors, use an extension cord suitable for outdoor use. Use of a cord suitable for outdoor use reduces the risk of electric shock.

If operating a power tool in a damp location is unavoidable, use a Ground Fault Circuit Interrupter (GFCI) protected supply. Use of an GFCI reduces the risk of electric shock.

Personal safety

Stay alert, watch what you are doing and use common sense when operating a power tool. Do not use a power tool while you are tired or under the influence of drugs, alcohol or medication. A moment of inattention while operating power tools may result in serious personal injury.

Use personal protective equipment. Always wear eye protection. Protective equipment such as dust mask, non-skid safety shoes, hard

hat, or hearing protection used for appropriate conditions will reduce personal injuries.

Prevent unintentional starting. Ensure the switch is in the off-position before connecting to power source and / or battery pack, picking up or carrying the tool. Carrying power tools with your finger on the switch or energizing power tools that have the switch on invites accidents.

Remove any adjusting key or wrench before turning the power tool on. A wrench or a key left attached to a rotating part of the power tool may result in personal injury.

Do not overreach. Keep proper footing and balance at all times. This enables better control of the power tool in unexpected situations.

Dress properly. Do not wear loose clothing or jewelry. Keep your hair, clothing and gloves away from moving parts. Loose clothes, jewelry or long hair can be caught in moving parts.

If devices are provided for the connection of dust extraction and collection facilities, ensure these are connected and properly used. Use of dust collection can reduce dust-related hazards.

Do not let familiarity gained from frequent use of tools allow you to become complacent and ignore tool safety principles. A careless action can cause severe injury within a fraction of a second.

Power tool use and care

Do not force the power tool. Use the correct power tool for your application. The correct power tool will do the job better and safer at the rate for which it was designed.

Do not use the power tool if the switch does not turn it on and off. Any power tool that cannot be controlled with the switch is dangerous and must be repaired.

Disconnect the plug from the power source and/or remove the battery pack, if detachable, from the power tool before making any adjustments, changing accessories, or storing power tools. Such preventive safety measures reduce the risk of starting the power tool accidentally.

Store idle power tools out of the reach of children and do not allow persons unfamiliar

with the power tool or these instructions to operate the power tool. Power tools are dangerous in the hands of untrained users.

Maintain power tools and accessories. Check for misalignment or binding of moving parts, breakage of parts and any other condition that may affect the power tool's operation. If damaged, have the power tool repaired before use. Many accidents are caused by poorly maintained power tools.

Keep cutting tools sharp and clean. Properly maintained cutting tools with sharp cutting edges are less likely to bind and are easier to control.

Use the power tool, accessories and tool bits etc. in accordance with these instructions, taking into account the working conditions and the work to be performed. Use of the power tool for operations different from those intended could result in a hazardous situation.

Keep handles and grasping surfaces dry, clean and free from oil and grease. Slippery handles and grasping surfaces do not allow for safe handling and control of the tool in unexpected situations.

Service

Have your power tool serviced by a qualified repair person using only identical replacement parts. This will ensure that the safety of the power tool is maintained.

Develop a periodic maintenance schedule for your tool. When cleaning a tool be careful not to disassemble any portion of the tool since internal wires may be misplaced or pinched or safety guard return springs may be improperly mounted. Certain cleaning agents such as gasoline, carbon tetrachloride, ammonia, etc. may damage plastic parts.

Preventive maintenance performed by unauthorized personnel may result in misplacing of internal wires and components which could cause serious hazard. We recommend that all tool service be performed by a Bosch Factory Service Center or Authorized Bosch Service Station.

Safety Rules for Orbital Sanders

Unplug the sander before changing accessories. Accidental start-ups may occur if sander is plugged in while changing an accessory.

Use clamps or other practical way to secure and support the workpiece to a stable platform. Holding the work by hand or against your body is unstable and may lead to loss of control.

Your tool is equipped with a dust canister; empty it frequently after completion of sanding and before storing the sander. Be extremely careful of dust disposal, materials in fine particle form may be explosive. Do not throw sanding dust on an open fire. Combustion from mixture of varnishes, lacquers, polyurethane, oil or water with dust particles can occur if there is a static discharge, spark introduced in the box, or excessive heat.

Always wear eye protection and a dust mask for dusty applications and when sanding overhead. Sanding particles can be

absorbed by your eyes and inhaled easily and may cause health complications.

Use special precautions when sanding chemically pressure treated lumber, paint that may be lead based, or any other materials that may contain carcinogens. A suitable breathing respirator and protective clothing must be worn by all persons entering the work area. Work area should be sealed by plastic sheeting and persons not protected should be kept out until work area is thoroughly cleaned.

Do not wet sand with this sander. Liquids entering the motor housing is an electrical shock hazard.

Do not use sandpaper intended for larger sanding pads. Larger sandpaper will extend beyond the sanding pad causing snagging, tearing of the paper or kick-back. Extra paper extending beyond the sanding pad can also cause serious lacerations.

Additional Safety Warnings

Do not use AC only rated tools with a DC power supply. While the tool may appear to work, the electrical components of the AC rated tool are likely to fail and create a hazard to the operator.

⚠ WARNING Some dust created by power sanding, sawing, grinding, drilling, and other construction activities contains chemicals known to cause cancer, birth defects or other reproductive harm. Some examples of these chemicals are:





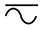


- Lead from lead-based paints,
- Crystalline silica from bricks and cement and other masonry products, and

- Arsenic and chromium from chemically-treated lumber.

Your risk from these exposures varies, depending on how often you do this type of work. To reduce your exposure to these chemicals: work in a well ventilated area, and work with approved safety equipment, such as those dust masks that are specially designed to filter out microscopic particles.

Symbols

IMPORTANT: Some of the following symbols may be used on your tool. Please study them and learn their meaning. Proper interpretation of these symbols will allow you to operate the tool better and safer.

Symbol	Designation / Explanation
V	Volts (voltage)
A	Amperes (current)
Hz	Hertz (frequency, cycles per second)
W	Watt (power)
kg	Kilograms (weight)
min	Minutes (time)
s	Seconds (time)
∅	Diameter (size of drill bits, grinding wheels, etc.)
n_0	No load speed (rotational speed at no load)
n	Rated speed (maximum attainable speed)
.../min	Revolutions or reciprocation per minute (revolutions, strokes, surface speed, orbits etc. per minute)
0	Off position (zero speed, zero torque...)
1, 2, 3, ... I, II, III,	Selector settings (speed, torque or position settings. Higher number means greater speed)
	Infinitely variable selector with off (speed is increasing from 0 setting)
	Arrow (action in the direction of arrow)
	Alternating current (type or a characteristic of current)
	Direct current (type or a characteristic of current)
	Alternating or direct current (type or a characteristic of current)
	Class II construction (designates double insulated construction tools)
	Earthing terminal (grounding terminal)

Symbols (continued)

IMPORTANT: Some of the following symbols may be used on your tool. Please study them and learn their meaning. Proper interpretation of these symbols will allow you to operate the tool better and safer.

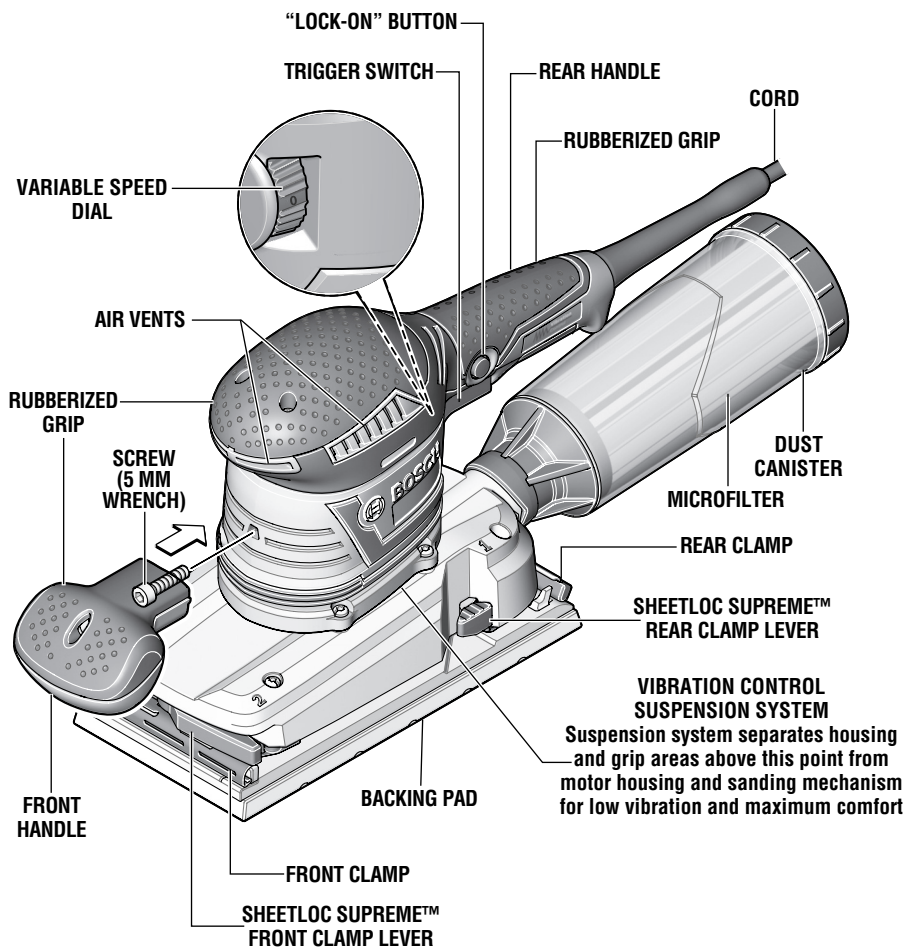
Symbol	Designation / Explanation
	Designates Li-ion battery recycling program
	Designates Ni-Cad battery recycling program
	Alerts user to read manual
	Alerts user to wear eye protection
	This symbol designates that this tool is listed by Underwriters Laboratories.
	This symbol designates that this component is recognized by Underwriters Laboratories.
	This symbol designates that this tool is listed by Underwriters Laboratories, to United States and Canadian Standards.
	This symbol designates that this tool is listed by the Canadian Standards Association.
	This symbol designates that this tool is listed by the Canadian Standards Association, to United States and Canadian Standards.
	This symbol designates that this tool is listed by the Intertek Testing Services, to United States and Canadian Standards.
	This symbol designates that this tool complies to NOM Mexican Standards.

Functional Description and Specifications

⚠ WARNING Disconnect the plug from the power source before making any assembly, adjustments or changing accessories. Such preventive safety measures reduce the risk of starting the tool accidentally.

Orbital Sander

FIG. 1



Model number	OS50VC
Voltage rating	120 V ~ 60Hz
Pad size	4 1/2" x 11" (1/2 sheet)

NOTE: For tool specifications refer to the nameplate on your tool.

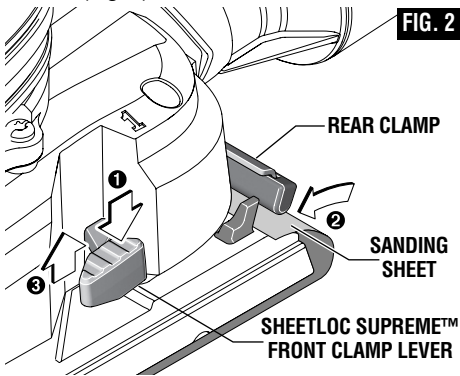
Assembly

⚠ WARNING Always disconnect the plug from the power source before attaching or removing abrasive sheets.

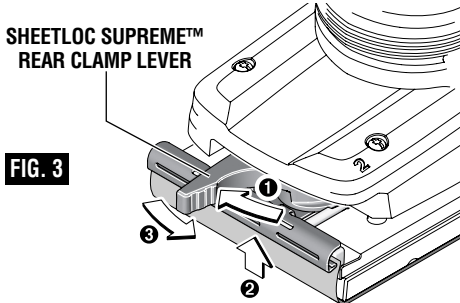
ATTACHING REGULAR SANDING SHEETS USING SHEETLOC™ SYSTEM

The Bosch-Exclusive Sheetloc Supreme™ Sandpaper Attachment System pulls regular abrasive sheets (sandpaper) flat and tight before clamping to prevent wrinkles, creases and tears for optimal sanding performance and longer paper life. Patents Pending

1. While pressing the rear clamp release lever, insert the abrasive sheet (grit side down) between the rear clamp and base plate. Make sure that sheet is centered under the rear clamp and inserted deep enough to be fully under the rear clamp, then release the lever (Fig. 2).



2. To open the front clamp, press the front clamp lever out from the tool (Fig. 3).

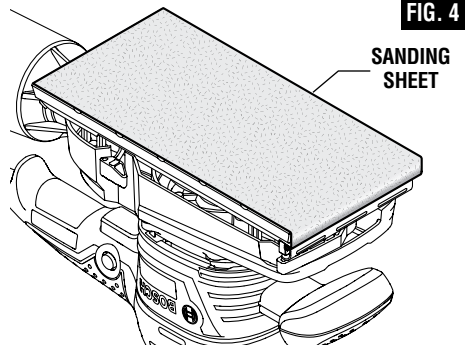


3. Wrap the abrasive sheet around the length of the pad and slide free end of sheet under the front clamp's black bar. Flatten the abrasive sheet by pushing it as far to the back as possible, then the move the front

clamp lever to the base plate and lock it in place. This action pulls the abrasive taut while clamping, which prevents wrinkles, creases and tears (Fig. 4).

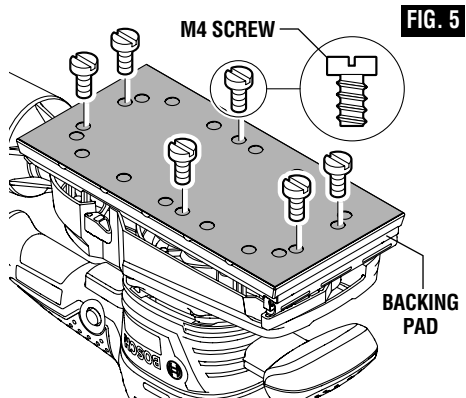
REMOVING REGULAR SANDING SHEETS

Simply press the rear clamp lever and release the front clamp lever to release the abrasive sheet (Fig. 2 & 3).



REPLACEMENT OF BACKING PAD

The backing pad can be replaced if needed. Remove the six M4 screws and remove the worn pad. Position the new pad over the screw holes, insert the screws and tighten (Fig. 5).



ATTACHING PSA "STICK-ON" ABRASIVE SHEETS

Your sander can also be used with PSA-backed "stick-on" abrasive sheets (sandpaper), which have pressure sensitive adhesive.

1. Peel protective sheet from the back of PSA sheet.
2. Align PSA sheet with backing pad and press firmly in place.

Notes:

- Make sure that SheetLoc™ System's front clamp lever is latched, even when PSA abrasive sheets are used.
- Remove PSA sheets soon after completing each sanding operation in order to prevent the adhesive from creating a hardened bond with the backing pad.

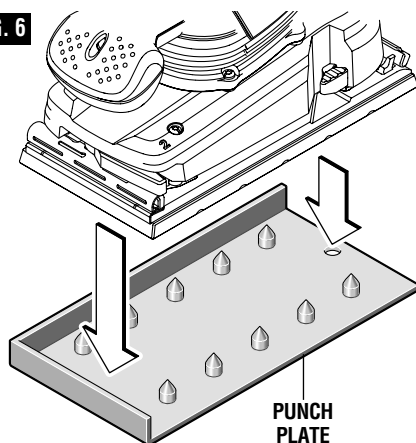
REMOVING PSA ABRASIVE SHEETS

CAUTION Attempting to remove a cold PSA sanding sheet from pad will likely damage the backing pad. If PSA paper is accidentally left on the pad, sand for a few minutes to soften the adhesive backing, then lift an edge of the PSA sheets with your fingernail and peel it off the backing pad.

PUNCH PLATE

After the paper has been installed, it will be necessary to punch holes into the paper using the punch plate provided with your sander.

Align sander base with punch plate and push down on sander until punch plate pierces the paper. Then remove punch plate from sander (Fig. 6).

FIG. 6**Dust Collection****MICROFILTER DUST CANISTER**

The integral dust extraction system collects sanding dust in canister supplied with your sander. For maximum efficiency, the dust canister should be emptied frequently during operation.

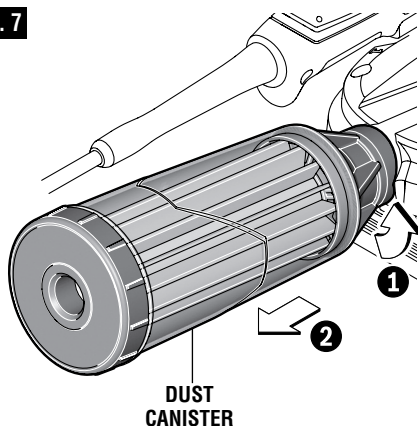
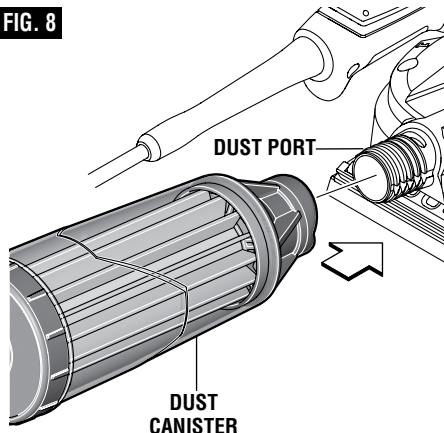
WARNING Your tool is equipped with a dust canister; empty it frequently after completion of sanding and before storing the sander. Be extremely careful of dust disposal, materials in fine particle form may be explosive. Do not throw sanding dust on an open fire.

Combustion from mixture of varnishes, lacquers, polyurethane, oil or water with dust particles can occur if there is a static discharge, spark introduced in the box, or excessive heat.

REMOVING AND INSTALLING DUST CANISTER

To remove dust canister: Twist the dust canister and simply pull away from the tool (Fig. 7).

To install dust canister: align dust port with hole in canister and push canister onto tool until it locks into place (Fig. 8).

FIG. 7**FIG. 8**

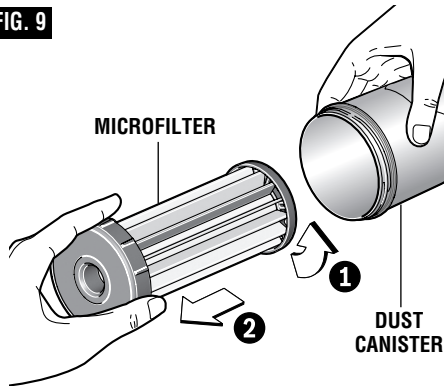
CLEANING AND EMPTYING THE DUST CANISTER

The dust canister is transparent which will allow you to easily see when emptying and cleaning is required.

To empty dust the canister: screw off and remove microfilter from the dust canister. Empty dust canister (Fig. 9).

It is recommended to loosen dust from the microfilter by gently striking it against a solid surface (Fig. 10).

FIG. 9

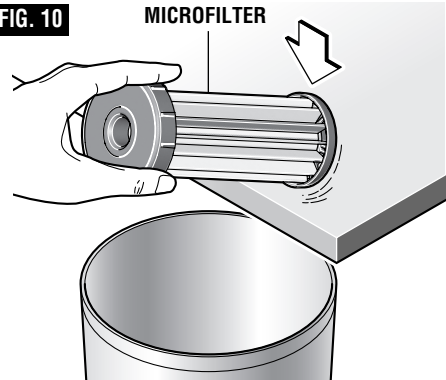


Knock excess dust out of the microfilter, or remove dust with your fingers or a soft brush. You may notice that all the dust may not come out of the canister. This will not affect sanding performance but will reduce dust collection efficiency.

NOTE: Do not wash the microfilter with soap and water. Dust may become more firmly lodged in the pores, which will reduce dust collection, and damage the micro filter.

To ensure optimum dust extraction, empty and clean the canister and microfilter frequently.

FIG. 10



ATTACHING A VACUUM CLEANER

Dust collection can also be achieved by attaching the tool to a vacuum cleaner / dust extractor, hose and adapter, if necessary (all sold separately).

1. Attach the hose to the vacuum cleaner / dust extractor.
2. Attach the hose to the tool's dust port in one of the following ways (Fig. 11):
 - Bosch VH-series hoses - The VX120 hose adapter is required (included with VH-series hoses).
 - Other 35mm and 22mm hoses, such as the Bosch VAC-series hoses - Connect hose directly to the tool.
 - Common 1-1/4" or 1-1/2" hoses - The Bosch VAC024 adapter is required.

SUCTION CONTROL

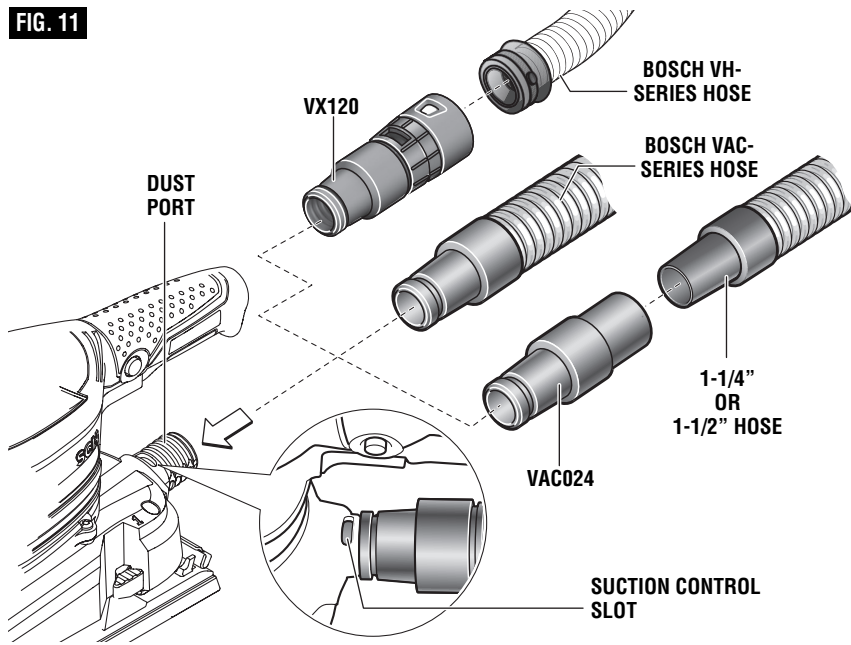
When using a vacuum hose with this sander the amount of suction can be adjusted by sliding the hose over or off the open slot in the hose port area on the sander.

The vacuum cleaner must be suitable for the material being sanded.

When vacuuming dry dust that is especially detrimental to health or may be carcinogenic, use a special vacuum cleaner.

When sanding on vertical surfaces, hold the power tool in such a manner that the vacuum hose faces downward.

FIG. 11



Operating Instructions

TRIGGER "ON-OFF" SWITCH

To turn the tool "ON" squeeze the trigger switch. To turn the tool "OFF", release the trigger switch, which is spring loaded and will return to the "OFF" position automatically (Fig. 1).

See START OF SANDING on page 12.

"LOCK-ON" BUTTON

The "Lock-ON" button, located near the trigger allows for continuous operation at maximum OPM without holding the trigger (Fig. 1).

TO LOCK TRIGGER "ON": squeeze trigger, depress button and release trigger.

TO UNLOCK THE TRIGGER: squeeze trigger and release it without depressing the "Lock-ON" button.

⚠ WARNING If the "Lock-ON" button is continuously being depressed, the trigger can not be released.

VARIABLE SPEED DIAL

Your sander is equipped with a variable speed dial (Fig. 1). The sander's orbital speed can be preset by rotating the dial to any of six positions from 1 (8000 OPM) to 6 (11000 OPM).

In general,

- Higher-speeds are used to achieve results

more quickly.

- Lower speeds are especially appropriate when sanding soft materials or thin veneers to minimize the possibility of over sanding.

The best results will be obtained by sanding a test sample of the workpiece material and determining the best combination of sanding speed and sanding sheet (sanding paper).

FRONT HANDLE

Your sander is equipped with a removable front handle when sanding in tight quarters. To remove handle, remove screw with 5 mm hex wrench. Always reinstall handle for normal operation (Fig. 1).

Depending on the task, you may grip the rear handle alone, the rear handle and the front handle, or the rear handle and the top of the ergonomically contoured soft grip motor housing, which is designed for that purpose.

ABRASIVE SHEETS (SANDPAPER)

Aluminum oxide, silicon carbide, or other synthetic abrasives are recommended for power sanding use. Natural abrasives, such as flint or garnet sheet are too soft for economical use in power sanding. For best results, use Bosch abrasive sheets: The uniform spacing between grains minimizes filling or loading. The high quality aluminum oxide sheet with

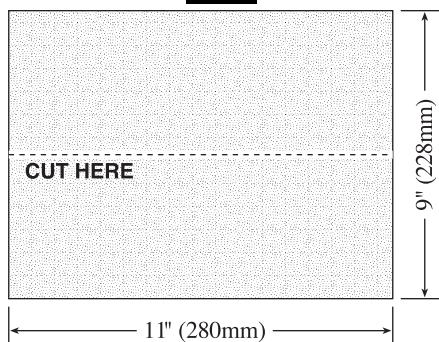
heavy backing cuts faster and lasts longer.

The following are recommended abrasive sheets and applications:

	Applications	Grit
Wood	For preliminary sanding of rough wood, unplaned boards.	Coarse 40, 60
	For mid-stage sanding and smoothing of small irregularities.	Medium 80, 100, 120
	For finish and fine sanding speed and sanding sheet (sandpaper)	Fine 180, 240, 320, 400
Paint/enamels and primers and fillers	For removing paint.	Coarse 40, 60
	For sanding primer.	Medium 80, 100, 120
	For final sanding of primers between coats.	Fine 180, 240, 320

Additional abrasive sheets can be conveniently cut from large-size commercially available sheets (standard size 9" x 11" (228 x 280mm)). Cut into two pieces of equal size. Choose the proper grit for the job.

FIG. 12



START OF SANDING

With the workpiece firmly secured, first place the sander's pad on the work surface, then switch the tool on.

DO NOT start the tool and bring it up to speed before applying to the work

DO NOT apply excessive pressure when switch the tool on (or at any other time)

Either method will likely create swirl marks.

Applying excessive pressure upon start-up will also shorten the life of the switch

SANDING TIPS

Bosch orbital sanders are designed to produce exceptional finishes on wood surfaces, speed stock removal, or to remove lacquer, varnish, and other coated finishes.

Orbital sanding provides fast, smooth final finishes. And this model can sand flush on all three sides of the tool to get in tight places typical of cabinets, desks and shelving.

- This sander's even weight distribution and the prevention of paper slippage by the SheetLoc system virtually eliminate any benefit from pressing on the sander. Excessive pressure to the sander may result in an uneven sanding job and premature grit wear. Constant and excessive pressure can cause overheating and possible damage to the motor, as well as premature wear out of the pad.
- It's usually best to work in strokes that parallel the grain, using some lateral motion so the main strokes are overlapped as much as 75%.
- If the surface is rough, start sanding with a coarse grit, then medium, and then finish with a fine or extra-fine grit. This procedure will vary with different types of materials and work.
- Continue to sand with each grit until the surface looks uniform.
- When going from one grit size to a finer size, do not skip more than two grit sizes.
- To remove the greatest amount of stock, use a coarse grit and move the sander steadily over the entire surface against the grain as well as with the grain. DO NOT REMAIN IN ONE SPOT TOO LONG. It may remove too much material and uneven sanding will result.
- Sanding with the grain of the wood gives the smoothest final finish.

REMOVING THE SANDER

Remove the sander from the work before turning the switch "OFF". Operating in this manner will prolong switch and motor life and will greatly increase the quality of your work.

STORING THE SANDER

- Do not store tool with PSA sheets on pad, as sanding creates heat, which will cause an

adhesive bond between the paper and the pad to harden when paper and pad cool down.

(See REMOVING PSA ABRASIVE SHEETS on page 8 and 9.)

Maintenance

Service

⚠ WARNING Preventive maintenance performed by unauthorized personnel may result in misplacing of internal wires and components which could cause serious hazard. We recommend that all tool service be performed by a Bosch Factory Service Center or Authorized Bosch Service Station.

TOOL LUBRICATION

Your Bosch tool has been properly lubricated and is ready to use. It is recommended that tools with gears be regreased with a special gear lubricant at every brush change.

CARBON BRUSHES

The brushes and commutator in your tool have been engineered for many hours of dependable service. To maintain peak efficiency of the motor, we recommend every two to six months the brushes be examined. Only genuine Bosch replacement brushes specially designed for your tool should be used.

BEARINGS

Bearings which become noisy (due to heavy load or very abrasive material cutting) should be replaced at once to avoid overheating or motor failure.

Cleaning

⚠ WARNING To avoid accidents always disconnect the tool from the power supply before cleaning or performing any maintenance.

Ventilation openings and switch levers must be kept clean and free of foreign matter. Do not attempt to clean by inserting pointed objects through openings.

⚠ CAUTION Certain cleaning agents and solvents damage plastic parts. Some of these are: gasoline, carbon tetrachloride, chlorinated cleaning solvents, ammonia and household detergents that contain ammonia.

Extension Cords

⚠ WARNING If an extension cord is necessary, a cord with adequate size conductors that is capable of carrying the current necessary for your tool must be used. This will prevent excessive voltage drop, loss of power or overheating. Grounded tools must use 3-wire extension cords that have 3-prong plugs and receptacles.

NOTE: The smaller the gauge number, the higher the cord capacity.

RECOMMENDED SIZES OF EXTENSION CORDS 120 VOLT ALTERNATING CURRENT TOOLS





Tool's Ampere Rating	Cord Size in A.W.G.				Wire Sizes in mm ²			
	Cord Length in Feet				Cord Length in Meters			
	25	50	100	150	15	30	60	120
3-6	18	16	16	14	0.75	0.75	1.5	2.5
6-8	18	16	14	12	0.75	1.0	2.5	4.0
8-10	18	16	14	12	0.75	1.0	2.5	4.0
10-12	16	16	14	12	1.0	2.5	4.0	–
12-16	14	12	–	–	–	–	–	–

Accessories and Attachments

Included	Available separately
Dust canister	Additional types of sanding sheets
Sanding sheet	VAC024 Vacuum hose adaptor
Sandpaper punch-plate	L-Boxx-3 Carrying Case
5 mm hex wrench	Vacuum hoses

Symboles relatifs à la sécurité

Les définitions ci-dessous décrivent le niveau de gravité pour chaque terme signalant un danger. Veuillez lire le mode d'emploi et lire la signification de ces symboles.

	<p>C'est le symbole d'alerte relatif à la sécurité. Il est utilisé pour vous avertir de l'existence possible d'un danger de lésion corporelle. Obéissez à tous les messages relatifs à la sécurité qui suivent ce symbole pour éviter tout risque de blessure ou même de mort.</p>
	<p>DANGER indique une situation dangereuse qui, si elle n'est pas évitée, causera la mort d'une personne ou une blessure grave.</p>
	<p>AVERTISSEMENT indique une situation dangereuse qui, si elle n'est pas évitée, pourrait causer la mort d'une personne ou une blessure grave.</p>
	<p>MISE EN GARDE indique une situation dangereuse qui, si elle n'est pas évitée, causera une blessure légère ou modérée.</p>

Avertissements généraux concernant la sécurité des outils électroportatifs

AVERTISSEMENT Lisez toutes les consignes de sécurité, instructions, illustrations et spécifications fournies avec cet outil électrique. Le non-respect de toutes les instructions figurant ci-après pourrait causer un choc électrique, un incendie et/ou des blessures graves.

CONSERVEZ TOUS LES AVERTISSEMENTS ET TOUTES LES CONSIGNES DE SÉCURITÉ POUR RÉFÉRENCE FUTURE.

Dans les avertissements, le terme « outil électroportatif » se rapporte à votre outil branché sur le secteur (avec fil) ou à votre outil alimenté par piles (sans fil).

Sécurité du lieu de travail

Maintenez le lieu de travail propre et bien éclairé.

Les risques d'accident sont plus élevés quand on travaille dans un endroit encombré ou sombre.

N'utilisez pas d'outils électroportatifs dans des atmosphères explosives, comme par exemple en présence de gaz, de poussières ou de liquides inflammables. Les outils électroportatifs produisent des étincelles qui risquent d'enflammer les poussières ou les vapeurs.

Éloignez les enfants et les visiteurs quand vous vous servez d'un outil électroportatif. Vous risquez une perte de contrôle si on vous distrait.

Sécurité électrique

Les fiches des outils électroportatifs doivent correspondre à la prise. Il ne faut absolument jamais modifier la fiche. N'utilisez pas d'adaptateur de prise avec des outils électroportatifs munis d'une fiche de terre. Le risque de choc électrique est moindre si on utilise une fiche non modifiée sur une prise qui lui correspond.

Évitez tout contact du corps avec des surfaces reliées à la terre tels que tuyaux, radiateurs, gazinières ou

réfrigérateurs. Le risque de choc électrique augmente si votre corps est relié à la terre.

N'exposez pas les outils électroportatifs à la pluie ou à l'humidité. Si de l'eau pénètre dans un outil électroportatif, le risque de choc électrique augmente.

Ne maltraitez pas le cordon. Ne vous en servez jamais pour transporter l'outil électroportatif, pour le tirer ou pour le débrancher. Éloignez le cordon de la chaleur, des huiles, des arêtes coupantes ou des pièces mobiles. Les cordons abîmés ou emmêlés augmentent les risques de choc électrique.

Si vous utilisez un outil électroportatif à l'extérieur, employez une rallonge conçue pour l'extérieur. Ces rallonges sont faites pour l'extérieur et réduisent le risque de choc électrique.

S'il est absolument nécessaire d'utiliser l'outil électroportatif dans un endroit humide, utilisez une alimentation protégée par un disjoncteur de fuite de terre (GFCI). L'utilisation d'un disjoncteur GFCI réduit les risques de choc électrique.

Sécurité personnelle

Restez concentré, faites attention à ce que vous

faites, et servez-vous de votre bon sens lorsque vous utilisez un outil électroportatif. N'employez pas d'outils électroportatifs quand vous êtes fatigué ou sous l'emprise de drogues, d'alcool ou de médicaments. Quand on utilise des outils électroportatifs, il suffit d'un moment d'inattention pour causer des blessures corporelles graves.

Utilisez des équipements de sécurité personnelle. Portez toujours une protection oculaire. Le port d'équipements de sécurité tels que des masques antipoussières, des chaussures de sécurité antidérapantes, des casques de chantier et des protecteurs d'oreilles dans des conditions appropriées réduira le risque de blessure corporelle.

Évitez les démarrages intempestifs. Assurez-vous que l'interrupteur est dans la position arrêt (Off) avant de brancher l'outil dans une prise de courant et/ou un bloc-piles, de le ramasser ou de le transporter. Le transport d'un outil électroportatif avec le doigt sur la gâchette ou le branchement de cet outil quand l'interrupteur est en position de marche (ON) est une invite aux accidents.

Enlevez toutes les clés de réglage avant de mettre l'outil électroportatif en marche. Si on laisse une clé sur une pièce tournante de l'outil électroportatif, il y a un risque de blessure corporelle.

Ne vous penchez pas. Conservez toujours une bonne assise et un bon équilibre. Ceci vous permettra de mieux maîtriser l'outil électroportatif dans des situations inattendues.

Habillez-vous de manière appropriée. Ne portez pas de vêtements amples ou de bijoux. Attachez les cheveux longs. N'approchez pas les cheveux, les vêtements ou les gants des pièces en mouvement. Les vêtements amples, les bijoux ou les cheveux longs risquent d'être happés par les pièces en mouvement.

Si l'outil est muni de dispositifs permettant le raccordement d'un système d'aspiration et de collecte des poussières, assurez-vous que ces dispositifs sont raccordés et utilisés correctement. L'utilisation d'un dépoussiéreur peut réduire les dangers associés à l'accumulation de poussière.

Ne laissez pas la familiarité résultant de l'utilisation fréquente des outils vous inciter à devenir complaisant(e) et à ignorer les principes de sécurité des outils. Une action négligente pourrait causer des blessures graves en une fraction de seconde.

Utilisation et entretien des outils électroportatifs

Ne forcez pas sur l'outil électroportatif. Utilisez l'outil électroportatif qui convient à la tâche à effectuer. L'outil qui convient à la tâche fait un meilleur travail et est plus sûr à la vitesse pour lequel il a été conçu.

Ne vous servez pas de l'outil électroportatif si son interrupteur ne parvient pas à le mettre en marche ou à l'arrêter. Tout outil électroportatif qui ne peut pas être commandé par son interrupteur est dangereux et doit être réparé.

Débranchez la fiche de la prise secteur et/ou retirez le

bloc-piles de l'outil électrique (s'il est amovible) avant d'y apporter de quelconques modifications, de changer d'accessoire ou de ranger l'outil électrique. De telles mesures de sécurité préventive réduisent le risque de démarrage intempestif de l'outil électroportatif.

Rangez les outils électroportatifs dont vous ne vous servez pas hors de portée des enfants et ne permettez pas à des personnes qui ne connaissent pas l'outil électroportatif ou qui ignorent ces consignes de s'en servir. Les outils électroportatifs sont dangereux dans les mains d'utilisateurs inexpérimentés.

Entretenez de façon appropriée les outils électriques et les accessoires. Vérifiez que les pièces mobiles sont alignées correctement et ne coincent pas. Vérifiez qu'il n'y a pas de pièces cassées ou d'autre circonstance qui risquent d'affecter le fonctionnement de l'outil électroportatif. Si l'outil est abîmé, faites-le réparer avant de l'utiliser. De nombreux accidents sont causés par des outils électroportatifs mal entretenus.

Maintenez les outils coupants affûtés et propres. Les outils coupants entretenus correctement et dotés de bords tranchants affûtés sont moins susceptibles de coincer et sont plus faciles à maîtriser.

Utilisez l'outil électroportatif, les accessoires et les embouts d'outil, etc. conformément à ces instructions, en tenant compte des conditions de travail et des travaux à réaliser. L'emploi d'outils électroportatifs pour des tâches différentes de celles pour lesquelles ils ont été prévus peut résulter en une situation dangereuse.

Gardez les poignées et les surfaces de préhension propres, sèches et exemptes de toute trace d'huile ou de graisse. Les poignées et les surfaces de préhension glissantes ne permettent pas une manipulation et un contrôle sûrs de l'outil dans des situations inattendues.

Entretien

Faites réparer votre outil électroportatif par un agent de service qualifié n'utilisant que des pièces de rechange identiques. Ceci assure que la sécurité de l'outil électroportatif est préservée.

Créez un agenda d'entretien périodique pour votre outil. Quand vous nettoyez un outil, faites attention de n'en démonter aucune pièce car il est toujours possible de mal remonter ou de pincer les fils internes ou de remonter incorrectement les ressorts de rappel des capots de protection. Certains agents de nettoyage tels que l'essence, le tétrachlorure de carbone, l'ammoniaque, etc. risquent d'abîmer les plastiques.

Tout entretien préventif effectué par des personnels non autorisés peut résulter en mauvais placement de fils internes ou de pièces, ce qui peut présenter un danger grave. Nous vous conseillons de faire faire tout l'entretien par un centre de service d'usine Bosch ou une station service agréée Bosch.

Consignes de sécurité de la ponceuse à orbite aléatoire

Débranchez la ponceuse avant de changer les accessoires. Une mise en marche accidentelle peut survenir si la ponceuse est branchée pendant le changement d'un accessoire.

Utilisez des brides ou d'autres moyens pratiques de brider ou de supporter la pièce sur une plate-forme stable. Tenir la pièce à la main ou contre le corps est instable et risque de résulter en une perte de contrôle.

Votre outil est muni d'un réservoir à poussière, videz-le fréquemment, après avoir fini de poncer et avant de ranger la ponceuse. Soyez très prudents quand vous jetez la poussière. Les matériaux sous forme de fines particules peuvent être explosifs. Ne jetez pas la poussière sur une flamme nue. Il y a risque de combustion de vernis, laques, polyuréthane, huile ou eau mélangés avec des particules de poussière en présence d'une décharge électrostatique, d'une étincelle introduite dans la boîte ou de chaleur excessive.

Utilisez des équipements de sécurité tels que masques à gaz, protection oculaire et vêtements de protection jetables quand vous ponchez des matériaux susceptibles de contenir des substances cancérigènes ou toxiques. Certaines opérations de ponçage risquent de libérer du matériau des éléments toxiques ou cancérigènes qui peuvent pénétrer dans les voies respiratoires.

Portez toujours des lunettes de protection et un masque anti-poussières pour les applications poussiéreuses et lors du ponçage au-dessus de la tête. Des particules de ponçage peuvent être

absorbées par vos yeux et inhalées facilement et peuvent causer des problèmes de santé.

Utilisez des précautions spéciales en ponçant le bois d'oeuvre traité chimiquement par pression, la peinture pouvant contenir du plomb, ou tout autre matériau qui peut contenir des agents cancérigènes. Toutes les personnes pénétrant dans la zone de travail doivent porter un respirateur et des vêtements protecteurs adéquats. L'aire de travail doit être scellée par des feuilles en plastique, et les personnes non protégées doivent être maintenues à l'extérieur jusqu'à ce que l'aire de travail soit dûment nettoyée.

Ne ponchez pas par voie humide à l'aide de cette ponceuse. La pénétration de liquides dans le carter du moteur constitue un risque de secousses électriques.

N'utilisez pas du papier de verre destiné à des blocs de ponçage plus gros. Le papier de verre de dimensions plus grandes fera saillie au-delà du bloc de ponçage entraînant ainsi des accrocs, un déchirement du papier ou un rebond. Le papier supplémentaire faisant saillie au-delà du bloc de ponçage peut également causer des lacérations graves.

Avertissements supplémentaires concernant la sécurité

N'utilisez pas un outil conçu uniquement pour le C.A. sur une alimentation en C.C. Même si l'outil semble fonctionner, les composants électriques d'un outil prévu pour le C.A. tomberont probablement en panne et risquent de créer un danger pour l'utilisateur.





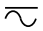


AVERTISSEMENT Les travaux à la machine tel que ponçage, sciage, meulage, perçage et autres travaux du bâtiment peuvent créer des poussières contenant des produits chimiques qui sont des causes reconnues de cancer, de malformation congénitale ou d'autres problèmes reproductifs. Ces produits chimiques sont, par exemple :

- Le plomb provenant des peintures à base de plomb,
- Les cristaux de silices provenant des briques et du ciment et d'autres produits de maçonnerie, et
- L'arsenic et le chrome provenant des bois traités chimiquement.

Le niveau de risque dû à cette exposition varie avec la fréquence de ces types de travaux. Pour réduire l'exposition à ces produits chimiques, il faut travailler dans un lieu bien ventilé et porter un équipement de sécurité approprié tel que certains masques à poussière conçus spécialement pour filtrer les particules microscopiques.












Symboles

IMPORTANT : Certains des symboles suivants peuvent être utilisés sur votre outil. Veuillez les étudier et apprendre leur signification. Une interprétation appropriée de ces symboles vous permettra d'utiliser l'outil de façon plus efficace et plus sûre.

Symbole	Désignation / Explication
V	Volts (voltage)
A	Ampères (courant)
Hz	Hertz (fréquence, cycles par seconde)
W	Watt (puissance)
kg	Kilogrammes (poids)
min	Minutes (temps)
s	Seconds (temps)
∅	Diamètre (taille des mèches de perceuse, meules, etc.)
n_0	Vitesse à vide (vitesse de rotation, à vide)
n	Vitesse nominale (vitesse maximum pouvant être atteinte)
.../min	Tours ou mouvement alternatif par minute (tours, coups, vitesse en surface, orbites, etc., par minute)
0	Position d'arrêt (vitesse zéro, couple zéro ...)
1, 2, 3, ... I, II, III,	Réglages du sélecteur (Réglages de vitesse, de couple ou de position. Un nombre plus élevé signifie une vitesse plus grande)
	Sélecteur variable à l'infini avec arrêt (La vitesse augmente depuis le réglage 0)
	Flèche (action dans la direction de la flèche)
	Courant alternatif (type ou caractéristique du courant)
	Courant continu (type ou caractéristique du courant)
	Courant alternatif ou continu (type ou caractéristique du courant)
	Construction classe II (désigne des outils construits avec double isolation)
	Borne de terre (borne de mise à la terre)

Symboles (suite)

IMPORTANT : Certains des symboles suivants peuvent être utilisés sur votre outil. Veuillez les étudier et apprendre leur signification. Une interprétation appropriée de ces symboles vous permettra d'utiliser l'outil de façon plus efficace et plus sûre.

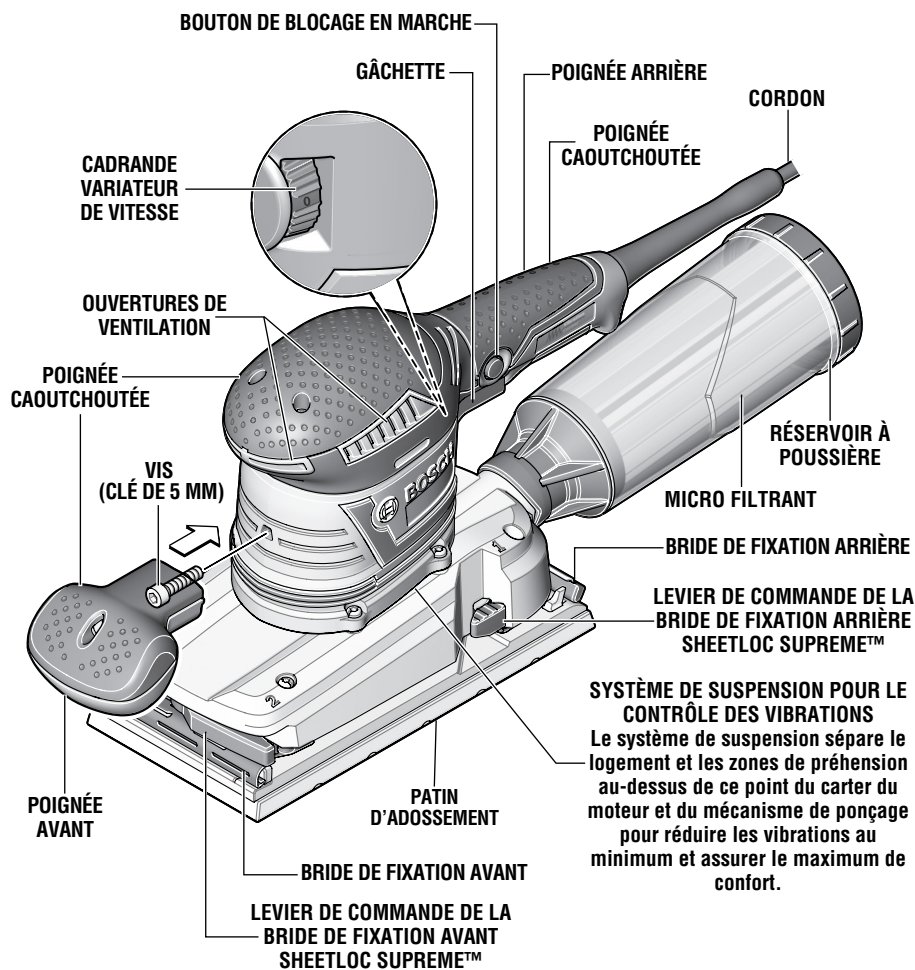
Symbole	Désignation / Explication
	Désigne le programme de recyclage des piles Li-ion.
	Désigne le programme de recyclage des piles Ni-Cad.
	Alerte l'utilisateur pour lire le mode d'emploi
	Alerte l'utilisateur pour porter des lunettes de sécurité
	Ce symbole signifie que cet outil est approuvé par Underwriters Laboratories.
	Ce symbole indique que ce composant est reconnu par Underwriters Laboratories.
	Ce symbole signifie que cet outil est approuvé par Underwriters Laboratories selon les normes des États-Unis et du Canada.
	Ce symbole signifie que cet outil est approuvé par l'Association canadienne de normalisation.
	Ce symbole signifie que cet outil est approuvé par l'Association canadienne de normalisation selon les normes des États-Unis et du Canada.
	Ce symbole signifie que cet outil est approuvé par Intertek Testing Services selon les normes des États-Unis et du Canada
	Ce symbole signifie que cet outil se conforme aux normes mexicaines NOM.

Description fonctionnelle et spécifications

AVERTISSEMENT Débranchez la fiche de la prise de courant avant d'effectuer quelque assemblage ou réglage que ce soit ou de changer les accessoires. Ces mesures de sécurité préventive réduisent le risque d'une mise en marche accidentelle de l'outil.

Ponceuse orbitale

FIG. 1



Numéro de modèle	OS50VC
Tension nominale	120 V ~ 60Hz
Dimension du patin	115 mm x 280 mm (1/2 feuille)

REMARQUE : Pour spécifications de l'outil, reportez-vous à la plaque signalétique de votre outil.

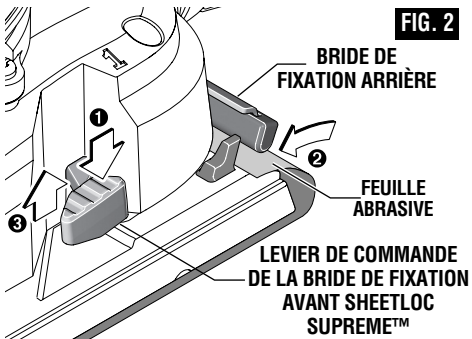
Assemblage

AVERTISSEMENT Débranchez toujours le cordon avant de fixer ou d'ôter les feuilles abrasives.

FIXATION DE FEUILLES ABRASIVES ORDINAIRES EN UTILISANT LE SYSTÈME SHEETLOC™

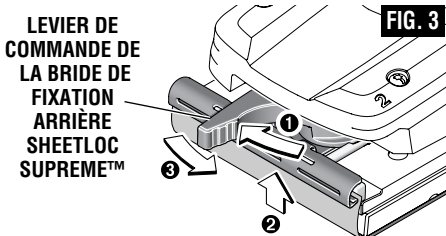
Le système de fixation de feuilles abrasives Sheetloc Supreme™, une exclusivité Bosch, attire les feuilles abrasives ordinaires (papier de verre) à plat et bien serrées avant de la fixer en place pour éviter les plissements, les rides et les déchirures afin de fournir un ponçage optimal et de prolonger la durée de vie du papier. Brevets en instance.

1. Tout en appuyant sur le levier de libération de la bride de fixation arrière, insérez la feuille abrasive (avec le côté du grain orienté vers le bas) entre la bride de fixation arrière et le socle. Assurez-vous que la feuille est centrée en dessous de la bride de fixation arrière et qu'elle est insérée assez profondément pour tenir entièrement en dessous de la bride de fixation arrière,



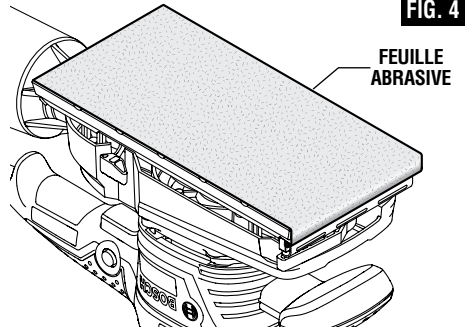
puis relâchez le levier (Fig. 2).

2. Pour ouvrir la bride de fixation avant, appuyez sur le levier de commande de la bride de fixation avant pour le faire sortir de l'outil (Fig. 3).
3. Enveloppez la feuille abrasive autour de la longueur du patin et faites glisser l'extrémité libre de la feuille en dessous de la barre noire de la bride de fixation avant. Aplatissez la feuille abrasive en la poussant aussi loin que possible vers l'arrière, puis poussez le levier de commande de la bride de fixation avant en direction du socle, et verrouillez-le place. Cette action permet de tirer sur la feuille abrasive pour la raidir, ce qui



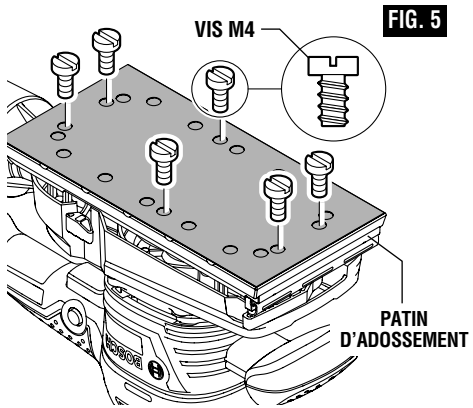
empêche la formation de plissements ou de rides et évite les déchirures (Fig. 4).

RETRAIT DE FEUILLES ABRASIVES ORDINAIRES
Appuyez simplement sur le levier de commande de la



bride de fixation arrière et relâchez le levier de commande de la bride de fixation avant pour libérer la feuille abrasive (Fig. 2 & 3).

REPLACEMENT DU PATIN D'ADOSSEMENT



Il est possible de remplacer le patin d'adossement si cela se révèle nécessaire. Retirez les six vis M4 et enlevez le patin usé. Positionnez le nouveau patin d'adossement au-dessus des trous de vis, insérez les vis et serrez (Fig. 5).

FIXATION DE FEUILLES ABRASIVES AUTOCOLLANTES « À COLLER »

Votre ponceuse peut également être utilisée avec des feuilles abrasives (papier de verre) « à coller » dont le dos est enduit d'adhésif autocollant.

1. Décollez la feuille protectrice située au verso de la feuille autocollante.
2. Placez la feuille autocollante en face du patin d'adossement et appuyez fermement.

Remarques :

- Assurez-vous que le levier de commande de la bride de fixation avant du système SheetLoc™ est verrouillé, même lorsque des feuilles abrasives autocollantes sont utilisées.
- Enlevez les feuilles autocollantes dès que vous avez fini de poncer afin d'empêcher l'adhésif de coller fortement au patin d'adossement.

POUR ENLEVER LES FEUILLES AUTOCOLLANTES

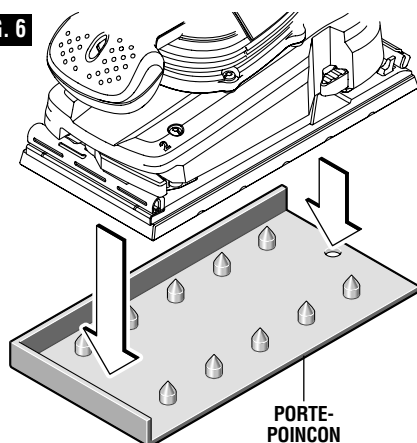
Une tentative de retrait d'une feuille de ponçage auto-adhésive froide du tampon endommagera probablement le tampon de soutien.

Si du papier auto-adhésif est laissé accidentellement sur le tampon, poncez pendant quelques minutes pour assouplir le côté auto-adhésif, puis soulevez un bord des feuilles auto-adhésives avec votre ongle, et pelez ensuite pour détacher du tampon de soutien.

PLAQUE PERFORANTE

Après avoir installé le papier, il faut y percer des trous à l'aide de la plaque perforante fournie avec votre outil. Alignez le socle de la ponceuse sur la plaque perforante et appuyez sur la ponceuse jusqu'à ce que la plaque

perforante perce le papier. Ensuite, enlevez la plaque perforante de la ponceuse (Fig. 6).

FIG. 6

Ramassage de la poussière

RÉSERVOIR À POUSSIÈRE MICRO FILTRANT

Le système de ramassage de poussière intégré stocke la poussière dans le réservoir fourni avec votre ponceuse. Pour en maximiser le rendement, il convient de vider le réservoir fréquemment pendant le ponçage.

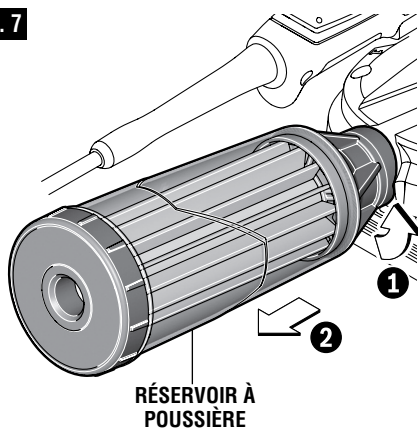
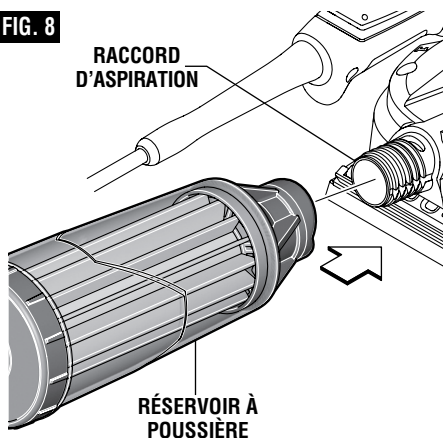
⚠ AVERTISSEMENT Votre outil est muni d'un réservoir à poussière, videz-le fréquemment, après avoir fini de poncer et avant de ranger la ponceuse. Soyez très prudents quand vous jetez la poussière. Les matériaux sous forme de fines particules peuvent être explosifs. Ne jetez pas la poussière sur une flamme nue. Il y a un risque de combustion de vernis, laques,

polyuréthane, huile ou eau mélangés avec des particules de poussière en présence d'une décharge électrostatique, d'une étincelle introduite dans la boîte ou de chaleur excessive.

DÉMONTAGE ET REMONTAGE DU RÉSERVOIR À POUSSIÈRE

Pour enlever le réservoir à poussière : Faites tourner le réservoir à poussière et tirez simplement dessus pour le séparer de l'outil (Fig. 7).

Pour remonter le réservoir à poussière : Mettez le raccord d'aspiration en face de l'orifice du réservoir et poussez ce dernier sur l'outil jusqu'à ce qu'il s'enclenche à sa place (Fig. 8).

FIG. 7**FIG. 8**

NETTOYAGE ET VIDAGE DU RÉSERVOIR À POUSSIÈRE

Le réservoir à poussière est transparent, ce qui vous permet de voir facilement quand il est nécessaire de le vider et de le nettoyer.

Pour vider la poussière qui se trouve dans le réservoir : dévissez et retirez le microfiltre du réservoir à poussière. Videz le réservoir à poussière (Fig. 9).

Il est recommandé de détacher la poussière qui adhère au microfiltre en le tapotant doucement contre une surface solide (Fig. 10).

Tapotez pour éliminer l'excédent de poussière du micro

filtre ou enlevez-la avec les doigts ou une brosse douce. Il est possible que vous ne parveniez pas à enlever toute la poussière du réservoir. Ceci n'affecte pas la performance de la ponceuse mais réduit l'efficacité de l'aspiration de poussière.

REMARQUE : Ne lavez pas le micro filtre à l'eau et au savon car la poussière risque de se loger plus fermement dans les pores, ce qui réduit le ramassage de poussière et abîme le micro filtre.

Pour assurer l'extraction optimale de la poussière, videz et nettoyez fréquemment le réservoir et le microfiltre.

FIG. 9

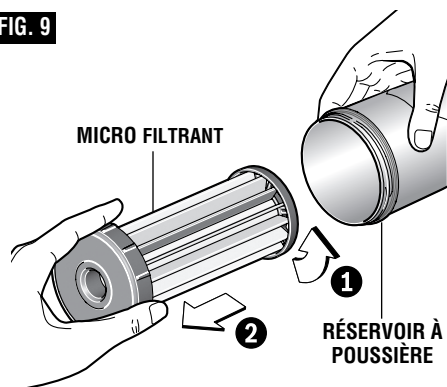
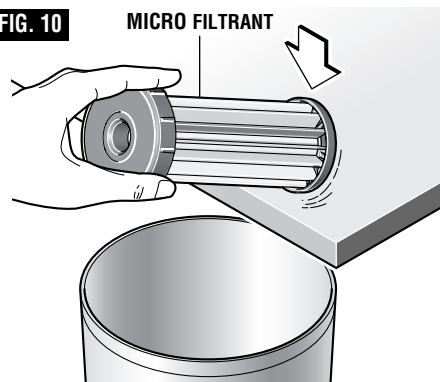


FIG. 10

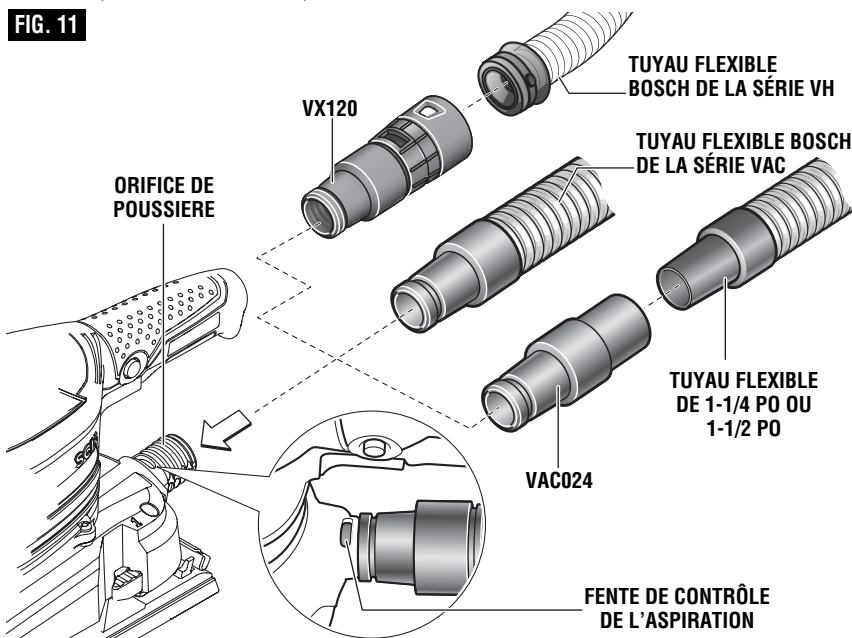


ATTACHEMENT D'UN ASPIRATEUR

La collecte de la poussière peut également être effectuée en attachant l'outil à un aspirateur/extracteur de poussière, avec un tuyau et un adaptateur, si nécessaire (tous vendus séparément).

1. Attachez le tuyau flexible à l'aspirateur/extracteur de poussière.
2. Attachez le tuyau flexible à l'orifice de poussière de l'outil de l'une des façons suivantes (Fig. 11):

FIG. 11



- Tuyaux flexibles Bosch de la série VH – L'adaptateur de tuyau flexible VX120 est nécessaire (inclus dans la série de tuyaux flexibles VH).
- Autres tuyaux flexibles de 35 mm et 22 mm, tels que les tuyaux flexibles Bosch de la série VAC – Raccordez le tuyau flexible directement à l'outil.
- Tuyaux flexibles standard de 1-1/4 po ou 1-1/2 po – L'adaptateur Bosch VAC024 est nécessaire.

CONTRÔLE DE L'ASPIRATION

Lorsque vous employez un aspirateur avec cette ponceuse, la force de l'aspiration peut être ajustée en faisant coulisser le tuyau au-dessus de la fente ouverte dans la zone de l'orifice prévu sur le tuyau sur la ponceuse ou en l'en retirant.

L'aspirateur doit être approprié pour le matériau qui doit être poncé.

Lorsque vous aspirez de la poussière sèche qui est particulièrement nuisible à la santé ou peut même être cancérigène, utilisez un aspirateur spécial.

Lorsque vous poncer sur des surfaces verticales, tenez l'outil électroportatif de manière que le tuyau de l'aspirateur soit orienté vers le bas.

Consignes de fonctionnement

GÂCHETTE DE COMMANDE MARCHE/ARRÊT

Pour mettre l'outil en marche, appuyez sur la gâchette. Pour mettre l'outil à l'arrêt, relâchez la gâchette qui est à ressort et reviendra automatiquement à la position d'arrêt (Fig. 1).

Voir DÉBUT DU PONÇAGE à la page 24.

BOUTON DE BLOCAGE EN MARCHÉ

La perceuse est également pourvue d'un bouton de blocage en marche situé du côté gauche de la poignée de la gâchette qui permet le fonctionnement en régime maximum — sans devoir tenir la gâchette (Fig. 1).

POUR BLOQUER L'INTERRUPTEUR EN MARCHÉ : appuyez sur la gâchette, appuyez sur le bouton et relâchez la gâchette.

POUR DEBLOQUER L'INTERRUPTEUR : appuyez sur la gâchette et relâchez-la sans appuyer sur le bouton de blocage en marche.

AVERTISSEMENT Si l'utilisateur appuie continuellement sur le bouton de blocage en marche, la gâchette ne peut pas être relâchée.

MOLLETTE DE RÉGLAGE DE LA VITESSE VARIABLE

Votre ponceuse est munie d'une mollette de réglage de la vitesse variable (Fig. 1). La vitesse orbitale de la ponceuse peut être réglée à l'avance en faisant tourner la mollette entre les six positions possibles, de 1 (8 000 OPM) à 6 (11 000 OPM).

En général :

- Les vitesses les plus élevées sont utilisées pour atteindre plus rapidement les résultats désirés.

- Les vitesses les plus basses sont particulièrement appropriées lorsque vous ponchez des matériaux doux ou des placages fins, afin de minimiser le risque de ponçage excessif.

Les meilleurs résultats seront obtenus en ponçant un échantillon d'essai du matériau de l'ouvrage et en déterminant la meilleure combinaison de vitesse de ponçage et de feuille abrasive (papier de verre).

POIGNÉE AVANT

Votre ponceuse est équipée d'une poignée avant amovible pour poncer dans des espaces restreints. Pour retirer la poignée, enlevez la vis à l'aide d'une clé hexagonale de 5 mm. Reposez toujours la poignée pour un fonctionnement normal. Suivant la nature du travail, vous pouvez tenir l'outil par la poignée arrière seule, la poignée arrière et la poignée avant, ou la poignée arrière et le dessus du logement de moteur à prise douce, de forme ergonomique, conçu à cette fin (Fig. 1).

FEUILLES ABRASIVES (PAPIER DE VERRE)

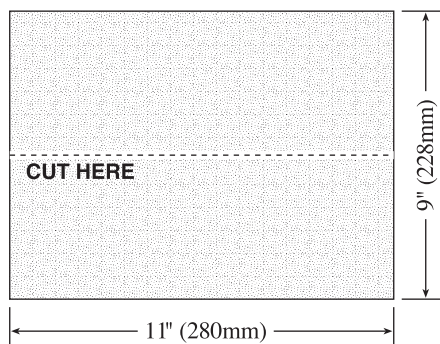
Nous conseillons d'utiliser du papier à l'oxyde d'aluminium, au carbure de silicium ou autres abrasifs synthétiques pour poncer à la ponceuse. Les abrasifs naturels tels que le grenat ou le silix ne sont pas assez durs pour pouvoir être utilisés économiquement pour poncer à la ponceuse. Pour obtenir les meilleurs résultats possibles, utilisez des feuilles abrasives Bosch : l'espace uniforme entre les grains minimise l'encrassement. Les feuilles à l'oxyde d'aluminium de haute qualité avec dos épais poncent plus vite et durent plus longtemps.

Ces feuilles abrasives sont recommandées pour les applications qui suivent :

	Applications	Grain
Bois	Pour le ponçage préliminaire de bois non dégrossi, des planches non rabotées.	grossie 40, 60
	Pour le ponçage intermédiaire et le lissage des petites irrégularités.	moyen 80, 100, 120
	Pour le ponçage de finition à la vitesse de ponçage fin et pour les feuilles abrasives (papier de verre).	fin 180, 240, 320, 400
Peinture/émaux et apprêts et agglomérés	Pour le décapage de peinture.	grossie 40, 60
	Pour poncer des apprêts.	moyen 80, 100, 120
	Pour le ponçage final des apprêts entre deux couches.	fin 180, 240, 320

Vous pouvez facilement découper des bandes supplémentaires à partir de feuilles de format régulier 228 x 280 mm (9" x 11"). Divisez-les en deux parties égales. Choisissez le grain qui convient à la tâche.

FIG. 12



DÉBUT DU PONÇAGE

Après avoir sécurisé l'ouvrage, placez le tampon de ponçage sur la surface de travail, puis mettez l'outil en marche.

NE mettez PAS l'outil en marche et ne le faites pas fonctionner à sa vitesse standard avant de l'avoir mis en contact avec l'ouvrage.

N'appliquez PAS une pression excessive lorsque vous mettez l'outil en marche (ou à tout autre moment).

Dans les deux cas, ceci créerait probablement des marques causées par le tourbillonnement.

L'application d'une pression excessive au moment de la mise en marche raccourcira également la durée de vie de l'interrupteur.

CONSEILS PRATIQUES

Les ponceuses orbitales Bosch sont conçues pour produire des finis exceptionnels sur les surfaces en bois, pour enlever de la matière rapidement ou pour décaper la laque, le vernis ou autres enduits de finition.

Le ponçage orbital produit rapidement un fini régulier. De plus, ce modèle peut poncer à ras sur 3 côtés de l'outil, ce qui permet de poncer dans des recoins comme on en trouve fréquemment dans les placards, les bureaux ou les étagères.

- Grâce à son poids distribué uniformément et à son système Sheetloc qui empêche le papier de glisser, il est pratiquement inutile d'appuyer sur la ponceuse. Si vous appuyez trop fort sur la ponceuse, le ponçage risque d'être irrégulier et le papier de s'user prématurément. Une pression excessive constante peut provoquer une surchauffe qui peut éventuellement abîmer le moteur ainsi qu'user prématurément le patin.
- Normalement, il est préférable de déplacer la ponceuse dans le sens du fil, avec un léger mouvement latéral pour que les coups principaux se recouvrent jusqu'à 75%.
- Si la surface est rugueuse, commencez le ponçage avec un gros grain, puis un grain moyen et enfin, finissez avec un grain fin ou ultra-fin. Cette méthode dépend du matériau et du type de travail à effectuer.
- Avec chaque grosseur de grain, poncez jusqu'à ce que la surface apparaisse régulière.
- Quand vous passez d'un grain donné à un grain plus fin, ne sautez pas plus de deux tailles de grains.
- Pour enlever le maximum de matière, utilisez un gros grain et déplacez la ponceuse sans vous arrêter sur toute la surface de la pièce dans le sens du fil ainsi que dans le sens opposé. **NE RESTEZ PAS TROP LONGTEMPS AU MÊME ENDROIT** car vous risquez d'enlever trop de matière, ce qui pourrait produire un ponçage inégal.
- Poncer dans le sens du fil produit la meilleure finition possible.

RETRAIT DE LA PONCEUSE

Retirez la ponceuse de l'ouvrage avant de couper l'interrupteur (OFF). L'utilisation de l'outil de cette manière prolongera la durée de vie de l'interrupteur et du moteur, et elle améliorera considérablement la qualité de votre travail.

RANGEMENT DE LA PONCEUSE

- Ne rangez pas l'outil avec une feuille autocollante collée au patin car le ponçage crée un échauffement qui cause le durcissement du lien adhésif entre le papier et le patin quand ils se refroidissent.

(Voir POUR ENLEVER LES FEUILLES AUTOCOLLANTES à la page 20 et 21.)

Entretien

Service

⚠ AVERTISSEMENT Tout entretien préventif effectué par des personnels non autorisés peut résulter en mauvais placement de fils internes ou de pièces, ce qui peut présenter un danger grave. Nous vous conseillons de faire faire tout l'entretien par un centre de service d'usine Bosch ou une station service agréée Bosch.

LUBRIFICATION DE L'OUTIL

Votre outil Bosch a été lubrifié correctement en usine et il est prêt à l'utilisation. Nous vous conseillons de re-graisser les outils qui comportent des engrenages avec un lubrifiant à engrenages spécial à chaque fois que vous changez les balais.

BALAIS OU CHARBONS

Les balais (ou charbons) et le collecteur de votre outil ont été conçus pour apporter de nombreuses heures de fonctionnement fiable. Pour maintenir le rendement du moteur à son maximum, nous vous conseillons de contrôler les balais tous les deux à six mois. Il ne faut utiliser que des balais de rechange Bosch d'origine et conçus pour votre outil.

PALIER

Si les paliers commencent à faire du bruit (à cause de surcharges importantes ou du toupillage de matériaux très abrasifs) il faut les faire remplacer immédiatement pour éviter la surchauffe ou une panne de moteur.

Nettoyage

⚠ AVERTISSEMENT Pour éviter les accidents, il faut toujours débrancher l'outil avant de le nettoyer ou de l'entretenir.

Les ouïes de ventilation et les leviers de l'interrupteur doivent rester propres et exempts de corps étrangers. Ne tentez pas de les nettoyer en enfonçant des objets pointus dans les orifices.

⚠ MISE EN GARDE Certains agents de nettoyage et certains dissolvants abîment les pièces en plastique. Parmi ceux-ci se trouvent: l'essence, le tétrachlorure de carbone, les dissolvants de nettoyage chlorés, l'ammoniaque ainsi que les détergents domestiques qui en contiennent.

Cordons de rallonge

⚠ AVERTISSEMENT Si un cordon de rallonge s'avère nécessaire, vous devez utiliser un cordon avec conducteurs de dimension adéquate pouvant porter le courant nécessaire à votre outil. Ceci préviendra une chute excessive de tension, une perte de courant ou une surchauffe. Les outils mis à la terre doivent utiliser des cordons de rallonge trifilaires pourvus de fiches à trois broches ainsi que des prises à trois broches.

REMARQUE : Plus le calibre du cordon est petit, plus sa capacité est élevée.

DIMENSIONS DE RALLONGES RECOMMANDÉES OUTILS 120 VOLTS COURANT ALTERNATIF





Intensité nominale de l'outil	Calibre A.W.G.				Calibre en mm ²			
	Longueur en pieds				Longueur en mètres			
	25	50	100	150	15	30	60	120
3-6	18	16	16	14	0.75	0.75	1.5	2.5
6-8	18	16	14	12	0.75	1.0	2.5	4.0
8-10	18	16	14	12	0.75	1.0	2.5	4.0
10-12	16	16	14	12	1.0	2.5	4.0	–
12-16	14	12	–	–	–	–	–	–

Accessoires et compléments

Éléments inclus	Disponibles séparément
Réservoir à poussière Feuille abrasive Plaque perforante Clé hexagonale de 5 mm	Types additionnels de feuilles abrasives Adaptateur pour tuyau d'aspiration VAC004 Tuyaux d'aspirateur Mallette de transport L-Boxx-3

Símbolos de seguridad

Las definiciones que aparecen a continuación describen el nivel de gravedad de cada palabra de señal de seguridad. Por favor, lea el manual y preste atención a estos símbolos.

	Éste es el símbolo de alerta de seguridad. Se utiliza para alertarle a usted de posibles peligros de lesiones corporales. Obedezca todos los mensajes de seguridad que sigan a este símbolo para evitar posibles lesiones o muerte.
	PELIGRO indica una situación peligrosa que, si no se evita, causará la muerte o lesiones graves.
	ADVERTENCIA indica una situación peligrosa que, si no se evita, podría causar la muerte o lesiones graves.
	PRECAUCIÓN indica una situación peligrosa que, si no se evita, podría causar lesiones leves o moderadas.

Advertencias generales de seguridad para herramientas mecánicas

ADVERTENCIA Lea todas las advertencias de seguridad, instrucciones, ilustraciones y especificaciones suministradas con esta herramienta eléctrica. Si no se siguen todas las instrucciones que se indican a continuación, es posible que el resultado sea descargas eléctricas, incendio y/o lesiones graves.

GUARDE TODAS LAS ADVERTENCIAS E INSTRUCCIONES PARA REFERENCIA FUTURA

La expresión "herramienta mecánica" en las advertencias se refiere a su herramienta mecánica alimentada por la red eléctrica (herramienta alámbrica) o su herramienta mecánica alimentada por baterías (herramienta inalámbrica).

Seguridad del área de trabajo

Mantenga el área de trabajo limpia y bien iluminada. Las áreas desordenadas u oscuras invitan a que se produzcan accidentes.

No utilice herramientas mecánicas en atmósferas explosivas, como por ejemplo en presencia de líquidos, gases o polvos inflamables. Las herramientas mecánicas generan chispas que pueden incendiar el polvo o los vapores.

Mantenga alejados a los niños y a las personas que estén presentes mientras esté utilizando una herramienta mecánica. Las distracciones pueden hacerle perder el control de la herramienta.

Seguridad eléctrica

Los enchufes de las herramientas mecánicas deben coincidir con el tomacorriente. No modifique nunca el enchufe de ningún modo. No use enchufes adaptadores con herramientas mecánicas conectadas a tierra (puestas a tierra). Los enchufes no modificados y los tomacorrientes coincidentes reducirán el riesgo de sacudidas eléctricas.

Evite el contacto del cuerpo con las superficies conectadas o puestas a tierra, tales como tuberías, radiadores, estufas y refrigeradores. Hay un aumento

del riesgo de sacudidas eléctricas si el cuerpo del operador se conecta o pone a tierra.

No exponga las herramientas mecánicas a la lluvia o a condiciones mojadas. La entrada de agua en una herramienta mecánica aumentará el riesgo de que se produzcan sacudidas eléctricas.

No maltrate el cordón de energía. No use nunca el cordón para transportar la herramienta mecánica, tirar de ella o desenchufarla. Mantenga el cordón alejado del calor, el aceite, los bordes afilados o las piezas móviles. Los cordones dañados o enganchados aumentan el riesgo de que se produzcan sacudidas eléctricas.

Cuando utilice una herramienta mecánica en el exterior, use un cordón de extensión adecuado para uso a la intemperie. La utilización de un cordón adecuado para uso a la intemperie reduce el riesgo de que se produzcan sacudidas eléctricas.

Si es inevitable utilizar una herramienta mecánica en un lugar húmedo, utilice una fuente de energía protegida por un interruptor de circuito accionado por corriente de pérdida a tierra (GFCI). El uso de un GFCI reduce el riesgo de sacudidas eléctricas.

Seguridad personal

Manténgase alerta, fíjese en lo que está haciendo y

use el sentido común cuando esté utilizando una herramienta mecánica. No use una herramienta mecánica cuando esté cansado o bajo la influencia de drogas, alcohol o medicamentos. Un momento de distracción mientras esté utilizando herramientas mecánicas podría causar lesiones corporales graves.

Use equipo de protección personal. Use siempre protección de los ojos. El equipo de protección, como por ejemplo una máscara antipolvo, calzado de seguridad antideslizante, casco o protección de oídos, utilizado para las condiciones apropiadas, reducirá las lesiones corporales.

Evite el arranque accidental. Asegúrese de que el interruptor esté en la posición de apagado antes de conectar la herramienta a la fuente de energía y / o al paquete de batería, levantar la herramienta o transportarla. Transportar herramientas mecánicas con un dedo en el interruptor o encender herramientas mecánicas que tengan el interruptor en la posición de encendido invita a que se produzcan accidentes.

Quite todas las llaves de ajuste o de tuerca antes de encender la herramienta mecánica. Una llave de tuerca o de ajuste que se deje colocada en una pieza giratoria de la herramienta mecánica podría causar lesiones corporales.

No intente alcanzar demasiado lejos. Mantenga un apoyo de los pies y un equilibrio apropiados en todo momento. Esto permite controlar mejor la herramienta mecánica en situaciones inesperadas.

Vístase adecuadamente. No use ropa holgada ni alhajas holgadas. Mantenga el pelo, la ropa y los guantes alejados de las piezas móviles. La ropa holgada, las alhajas holgadas o el pelo largo pueden quedar atrapados en las piezas móviles.

Si se proporcionan dispositivos para la conexión de instalaciones de extracción y recolección de polvo, asegúrese de que dichas instalaciones estén conectadas y se usen correctamente. El uso de dispositivos de recolección de polvo puede reducir los peligros relacionados con el polvo.

No deje que la familiaridad obtenida con el uso frecuente de las herramientas le haga volverse complaciente e ignorar los principios de seguridad de las herramientas. Una acción descuidada puede causar lesiones graves en una fracción de segundo.

Uso y cuidado de las herramientas mecánicas

No fuerce la herramienta mecánica. Use la herramienta mecánica correcta para la aplicación que desee realizar. La herramienta mecánica correcta hará el trabajo mejor y con más seguridad a la capacidad nominal para la que fue diseñada.

No use la herramienta mecánica si el interruptor no la enciende y apaga. Toda herramienta mecánica que no se pueda controlar con el interruptor es peligrosa y debe ser reparada.

Desconecte el enchufe de la fuente de alimentación y/o retire el paquete de batería de la herramienta

eléctrica, si es extraíble, antes de hacer cualquier ajuste, cambiar accesorios o almacenar herramientas eléctricas. Dichas medidas preventivas de seguridad reducen el riesgo de arrancar accidentalmente la herramienta mecánica.

Guarde las herramientas que no esté usando fuera del alcance de los niños y no deje que personas que no estén familiarizadas con la herramienta mecánica o con estas instrucciones utilicen la herramienta. Las herramientas mecánicas son peligrosas en manos de usuarios que no hayan recibido capacitación.

Mantenga las herramientas eléctricas y sus accesorios. Compruebe si hay piezas móviles desalineadas o que se atoren, si hay piezas rotas y si existe cualquier otra situación que podría afectar el funcionamiento de la herramienta mecánica. Si la herramienta mecánica está dañada, haga que la reparen antes de usarla. Muchos accidentes son causados por herramientas mecánicas mantenidas deficientemente.

Mantenga las herramientas de corte afiladas y limpias. Es menos probable que las herramientas de corte mantenidas apropiadamente, con bordes de corte afilados, se atoren, y dichas herramientas son más fáciles de controlar.

Utilice la herramienta mecánica, los accesorios, las brocas de la herramienta, etc., de acuerdo con estas instrucciones, teniendo en cuenta las condiciones de trabajo y el trabajo que se vaya a realizar. El uso de la herramienta mecánica para operaciones distintas a aquéllas para las que fue diseñada podría causar una situación peligrosa.

Mantenga secos, limpios y libres de aceite y grasa los mangos y las superficies de agarre. Si están resbalosos, los mangos y las superficies de agarre no permiten un manejo y un control seguros de la herramienta en situaciones inesperadas.

Servicio de ajustes y reparaciones

Haga que su herramienta mecánica reciba servicio de un técnico de reparaciones calificado, utilizando únicamente piezas de repuesto idénticas. Esto asegurará que se mantenga la seguridad de la herramienta mecánica.

Desarrolle un programa de mantenimiento periódico de la herramienta. Cuando limpie una herramienta, tenga cuidado de no desmontar ninguna de sus partes, ya que los cables internos podrían reubicarse incorrectamente o pellizcarse, o los resortes de retorno de los protectores de seguridad podrían montarse incorrectamente. Ciertos agentes de limpieza, tales como gasolina, tetracloruro de carbono, amoníaco, etc., podrían dañar las piezas de plástico.

El mantenimiento preventivo realizado por personal no autorizado puede dar lugar a la colocación incorrecta de cables y componentes internos que podría constituir un peligro serio. Recomendamos que todo el servicio de las herramientas sea realizado por un Centro de servicio de fábrica Bosch o por una Estación de servicio Bosch autorizada.

Normas de seguridad para lijadoras de órbita al azar

Desenchufe la lijadora antes de cambiar accesorios. Se pueden producir arranques accidentales si la lijadora está enchufada mientras se cambia un accesorio.

Use abrazaderas u otro modo práctico de sujetar y soportar la pieza de trabajo en una plataforma estable. Si se sujeta la pieza de trabajo con la mano o contra el cuerpo, se crea una situación inestable que podría causar pérdida de control.

La herramienta está equipada con un bote para polvo. Vacíelo frecuentemente, después de completar la operación de lijado y antes de almacenar la lijadora. Tenga sumo cuidado al deshacerse del polvo, ya que los materiales en forma de partículas finas pueden ser explosivos. No tire el polvo generado por el lijado a llamas al descubierto. Se puede producir combustión de la mezcla de barnices, lacas, poliuretano, aceite o agua con partículas de polvo si hay una descarga de electricidad estática, si se introduce una chispa en la caja o si hay calor excesivo.

Use siempre protección para los ojos y una máscara antipolvo para aplicaciones que generen polvo y al lijar en alto. Las partículas resultantes del lijado pueden ser absorbidas por los ojos e inhaladas fácilmente y pueden causar complicaciones de salud.

Use precauciones especiales al lijar madera tratada químicamente a presión, pintura que pueda estar

basada en plomo o cualquier otro material que pueda contener carcinógenos. Todas las personas que entren en el área de trabajo deben usar un aparato de respiración adecuado y ropa protectora. El área de trabajo debe cerrarse con cubiertas colgantes de plástico y debe mantenerse fuera a las personas no protegidas hasta que el área de trabajo haya sido limpiada a fondo.

No lije en mojado con esta lijadora. La entrada de líquidos en la caja del motor constituye un peligro de sacudidas eléctricas.

No use papel de lija diseñado para zapatas de lijar más grandes. El papel de lija más grande sobresaldrá de la zapata de lijar, causando atasco y rasgado del papel o retroceso. El papel extra que sobresalga de la zapata de lijar también puede causar laceraciones graves.

Advertencias de seguridad adicionales

No use herramientas mecánicas con capacidad nominal solamente para CA con una fuente de energía de CC. Aunque pueda parecer que la herramienta funciona correctamente, es probable que los componentes eléctricos de la herramienta con capacidad nominal para CA fallen y creen un peligro para el operador.








⚠ ADVERTENCIA **Cierto polvo generado por el lijado, aserrado, amolado y taladrado mecánicos, y por otras actividades de construcción, contiene agentes químicos que se sabe que causan cáncer, defectos de nacimiento u otros daños sobre la reproducción. Algunos ejemplos de estos agentes químicos son:**

- Plomo de pinturas a base de plomo,
- Sílice cristalina de ladrillos y cemento y otros productos de mampostería, y
- Arsénico y cromo de madera tratada químicamente.

Su riesgo por causa de estas exposiciones varía, dependiendo de con cuánta frecuencia realice este tipo de trabajo. Para reducir su exposición a estos agentes químicos: trabaje en un área bien ventilada y trabaje con equipo de seguridad aprobado, como por ejemplo máscaras antipolvo que estén diseñadas especialmente para impedir mediante filtración el paso de partículas microscópicas.

Símbolos

IMPORTANTE: Es posible que algunos de los símbolos siguientes se usen en su herramienta. Por favor, estúdielos y aprenda su significado. La interpretación adecuada de estos símbolos le permitirá utilizar la herramienta mejor y con más seguridad.

Símbolo	Désignation / Explication
V	Volt (tensión)
A	Ampere (corriente)
Hz	Hertz (frecuencia, ciclos por segundo)
W	Watt (potencia)
kg	Kilogramo (peso)
min	Minuto (tiempo)
s	Segundo (tiempo)
∅	Diámetro (tamaño de las brocas taladradoras, muelas, etc)
n_0	Velocidad sin carga (velocidad rotacional sin carga)
n	Velocidad nominal (máxima velocidad obtenible)
.../min	Revoluciones o alternación por minuto (revoluciones, golpes, velocidad de superficie, órbitas, etc., por minuto)
0	Posición "off" (velocidad cero, par motor cero...)
1, 2, 3, ... I, II, III,	Graduaciones del selector (graduaciones de velocidad, par motor o posición. Un número más alto significa mayor velocidad)
	Selector infinitamente variable con apagado (la velocidad aumenta desde la graduación de 0)
	Flecha (Acción en la dirección de la flecha)
	Corriente alterna (tipo o una característica de corriente)
	Corriente continua (tipo o una característica de corriente)
	Corriente alterna o continua (tipo o una característica de corriente)
	Construcción de clase II (designa las herramientas de construcción con aislamiento doble)
	Terminal de toma de tierra (terminal de conexión a tierra)

Símbolos (continuación)

IMPORTANTE: Es posible que algunos de los símbolos siguientes se usen en su herramienta. Por favor, estúdielos y aprenda su significado. La interpretación adecuada de estos símbolos le permitirá utilizar la herramienta mejor y con más seguridad.

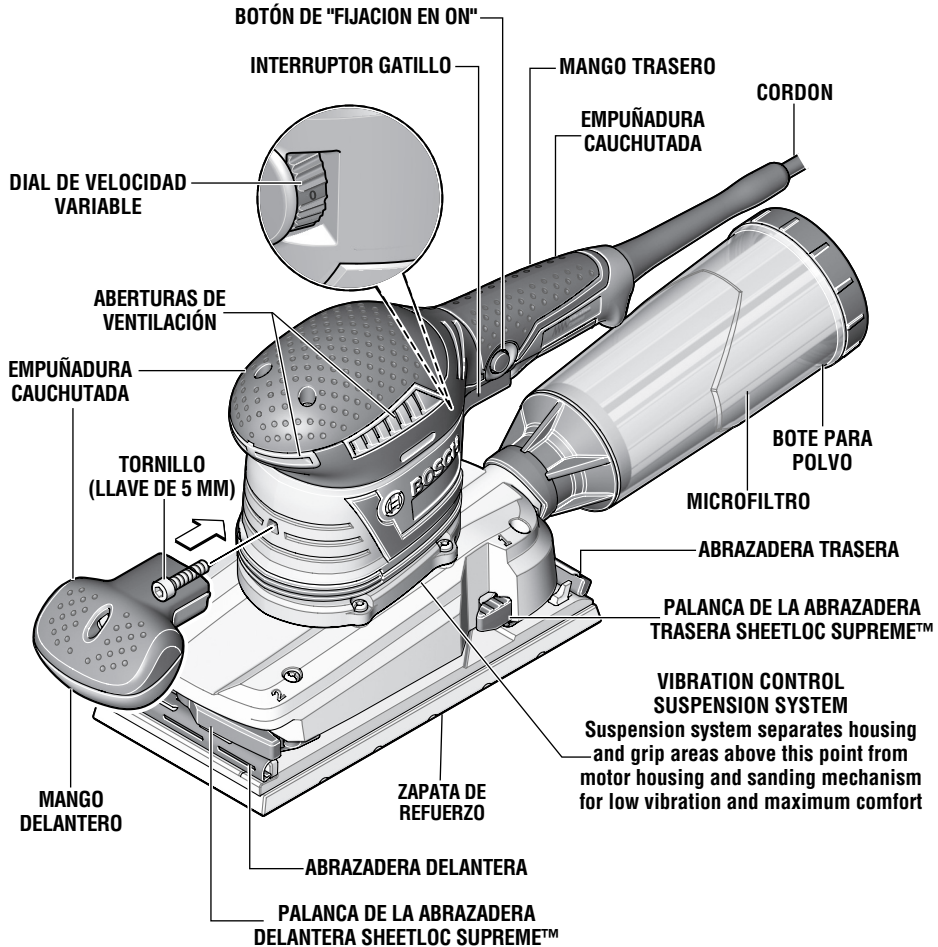
Símbolo	Designación/explicación
	Designa el programa de reciclaje de baterías de Li-ion.
	Designa el programa de reciclaje de baterías de Ni-Cd.
	Alerta al usuario para que lea el manual.
	Alerta al usuario para que use protección de los ojos.
	Este símbolo indica que esta herramienta está catalogada por Underwriters Laboratories.
	Este símbolo indica que este componente está reconocido por Underwriters Laboratories.
	Este símbolo indica que Underwriters Laboratories ha catalogado esta herramienta indicando que cumple con las normas estadounidenses y canadienses.
	Este símbolo indica que esta herramienta está catalogada por la Canadian Standards Association.
	Este símbolo indica que la Canadian Standards Association ha catalogado esta herramienta indicando que cumple con las normas estadounidenses y canadienses.
	Este símbolo indica que Intertek Testing Services ha catalogado esta herramienta indicando que cumple con las normas estadounidenses y canadienses.
	Este símbolo indica que esta herramienta cumple con la norma mexicana oficial (NOM).

Descripción funcional y especificaciones

ADVERTENCIA Desconecte el enchufe de la fuente de energía antes de realizar cualquier ensamblaje o ajuste, o cambiar accesorios. Estas medidas de seguridad preventivas reducen el riesgo de arrancar la herramienta accidentalmente.

Lijadora orbital

FIG. 1



Número de modelo	OS50VC
Tensión nominal	120 V ~ 60Hz
Tamaño de zapata	115 x 280 mm (1/2 hoja)

NOTA: Para obtener las especificaciones de la herramienta, consulte la placa del fabricante colocada en la herramienta.

Ensamblaje

ADVERTENCIA Desconecte siempre el enchufe de la fuente de energía antes de colocar o quitar las hojas abrasivas.

INSTALACIÓN DE HOJAS DE LIJAR REGULARES UTILIZANDO EL SISTEMA SHEETLOC™

El sistema de sujeción del papel de lija Sheetloc Supreme™ exclusivo de Bosch jala las hojas abrasivas regulares (papel de lija) hasta que quedan planas y tensas antes de sujetarlas, para prevenir las arrugas, los pliegues y las desgarraduras, con el fin de brindar un rendimiento de lijado óptimo y una vida útil más larga del papel. Patentes pendientes

1. Mientras presiona la palanca de liberación de la abrazadera trasera, inserte la hoja abrasiva (con el lado del grano hacia abajo) entre la abrazadera trasera y la placa-base. Asegúrese de que la hoja esté centrada debajo de la abrazadera trasera e insertada a una profundidad suficiente para estar completamente debajo de la abrazadera trasera, y luego suelte la palanca (Fig. 2).

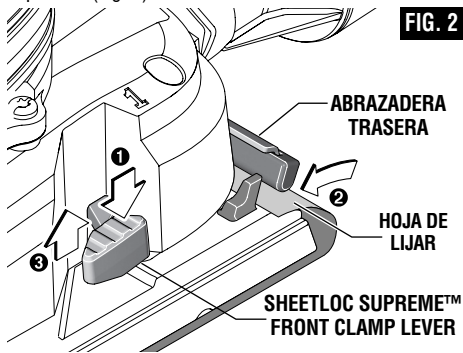


FIG. 2

2. Para abrir la abrazadera delantera, presione la palanca de la abrazadera delantera hacia fuera de la herramienta (Fig. 3).

PALANCA DE LA ABRAZADERA DELANTERA SHEETLOC SUPREME™

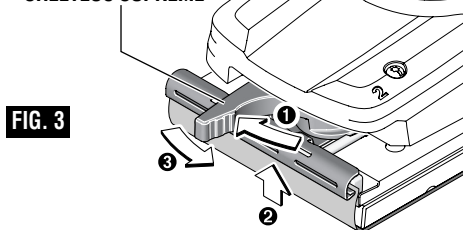


FIG. 3

3. Envuelva la hoja abrasiva alrededor de la longitud de la zapata y deslice el extremo libre de la hoja debajo la barra negra de la abrazadera delantera. Aplane la hoja abrasiva empujándola hacia atrás tanto como sea posible, luego mueva la palanca de la abrazadera

delantera hasta la placa-base y bloquéela en su sitio. Esta acción jala el abrasivo para tensarlo mientras se realiza la sujeción, lo cual previene las arrugas, los pliegues y las desgarraduras (Fig. 4).

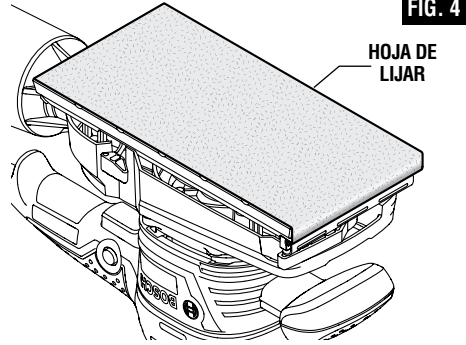


FIG. 4

REMOCIÓN DE HOJAS DE LIJAR REGULARES

Simplemente presione la palanca de la abrazadera trasera y suelte la palanca de la abrazadera delantera para liberar la hoja abrasiva (Fig. 2 y 3).

REEMPLAZO DE LA ZAPATA DE REFUERZO

Se puede reemplazar la zapata de refuerzo en caso de que sea necesario. Retire los seis tornillos M4 y retire la zapata desgastada. Posicione la zapata nueva sobre los agujeros para tornillo, inserte los tornillos y apriételos (Fig. 5).

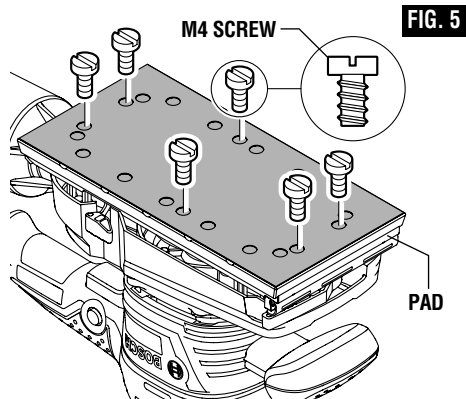


FIG. 5

COLOCACIÓN DE HOJAS ABRASIVAS "ADHESIVAS" DE PSA (ADHESIVO SENSIBLE A LA PRESIÓN)

La lijadora también se puede usar con hojas abrasivas "adhesivas" con refuerzo de PSA (papel de lija), que tienen adhesivo sensible a la presión.

1. Despegue la hoja protectora del refuerzo de la hoja de PSA.
2. Alinee la hoja de PSA con la zapata de refuerzo y presiónela firmemente en su sitio.

Notas:

- Asegúrese de que la palanca de la abrazadera delantera del sistema SheetLoc™ esté bloqueada con el pestillo, incluso cuando se estén utilizando hojas abrasivas de PSA.
- Quite las hojas de PSA poco después de completar cada operación de lijado, para evitar que el adhesivo cree una unión endurecida con la zapata de soporte.

REMOCIÓN DE HOJAS ABRASIVAS DE PSA

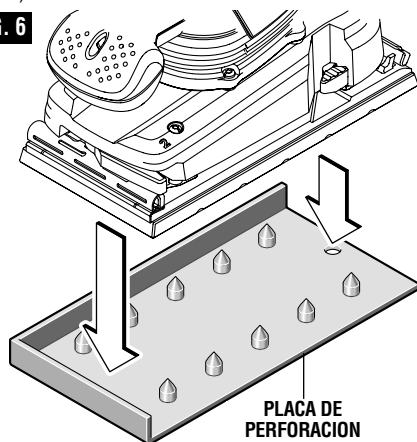
Un intento de retirar una hoja de lijado de PSA fría probablemente dañará la almohadilla de refuerzo.

Si se deja papel de PSA accidentalmente en la almohadilla, lije durante unos minutos para ablandar el refuerzo adhesivo y luego levante un borde de las hojas de PSA con la uña y despréndalo de la almohadilla de refuerzo.

PLACA DE PERFORACIÓN

Después de haber instalado el papel, será necesario perforar agujeros en él usando la placa de perforación provista con la lijadora. Alinee la base de la lijadora con

la placa de perforación y empuje hacia abajo sobre la lijadora hasta que la placa de perforación perfora el papel. Luego, quite la placa de perforación de la lijadora (Fig. 6).

FIG. 6**Recolección de polvo****BOTE PARA POLVO CON MICROFILTRO**

El sistema de extracción de polvo integral recolecta el polvo generado por el lijado en el bote provisto con la lijadora. Para lograr la máxima eficacia, el bote para polvo se debe vaciar frecuentemente durante la operación.

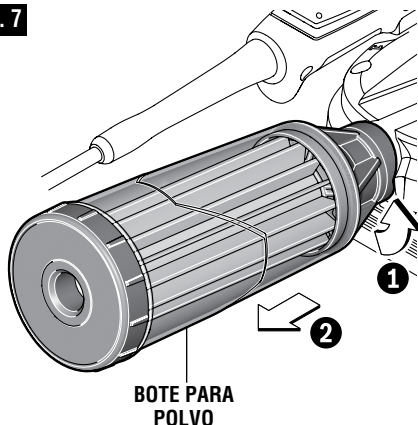
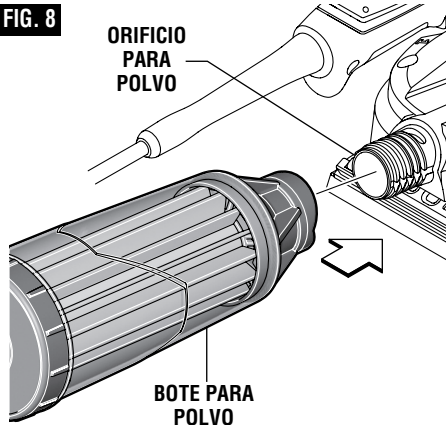
⚠ ADVERTENCIA La herramienta está equipada con un bote para polvo. Vacíelo frecuentemente, después de completar la operación de lijado y antes de almacenar la lijadora. Tenga sumo cuidado al deshacerse del polvo, ya que los materiales en forma de partículas finas pueden ser explosivos. No tire el polvo generado por el lijado a llamas al descubierto. Se puede

producir combustión de la mezcla de barnices, lacas, poliuretano, aceite o agua con partículas de polvo si hay una descarga de electricidad estática, si se introduce una chispa en la caja o si hay calor excesivo.

REMOCIÓN E INSTALACIÓN DEL BOTE PARA POLVO

Para quitar el bote para polvo: Gire el bote para polvo y simplemente jálelo alejándolo de la herramienta (Fig. 7).

Para instalar el bote para polvo: Alinee el orificio para polvo con el agujero ubicado en el bote y empuje el bote sobre la herramienta hasta que quede bloqueado en su sitio (Fig. 8).

FIG. 7**FIG. 8**

LIMPIEZA Y VACIADO DEL BOTE PARA POLVO

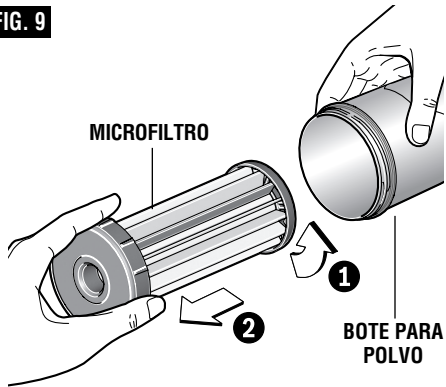
El bote para polvo es transparente, lo cual le permite a usted ver fácilmente cuando se requiere vaciarlo y limpiarlo.

Para vaciar el bote para polvo: Desenrosque y retire el microfiltro del bote para polvo. Vacíe el bote para polvo (Fig. 9).

Se recomienda desprender el polvo del microfiltro golpeándolo suavemente contra una superficie maciza (Fig. 10).

Empuje firmemente hacia arriba sobre la lengüeta ubicada en el extremo de la tapa y quite la tapa del bote. Haga salir

FIG. 9

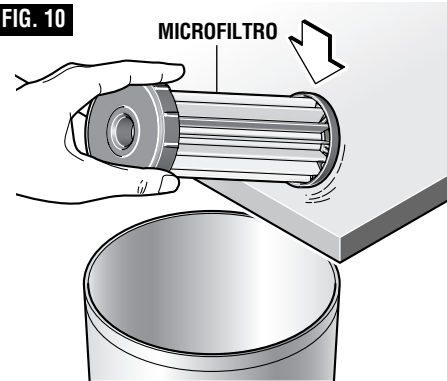


el exceso de polvo del microfiltro dando golpecitos o quite el polvo con los dedos o con un cepillo suave. Es posible que observe que no todo el polvo sale del bote. Este no afectará el rendimiento de lijado, pero reducirá la eficacia de la recolección de polvo.

NOTA: No lave el microfiltro con agua y jabón. El polvo se podría incrustar más firmemente en los poros, lo cual reducirá la recolección de polvo y dañará el microfiltro.

Para asegurar una extracción de polvo óptima, vacíe y limpie frecuentemente el bote para polvo y el microfiltro.

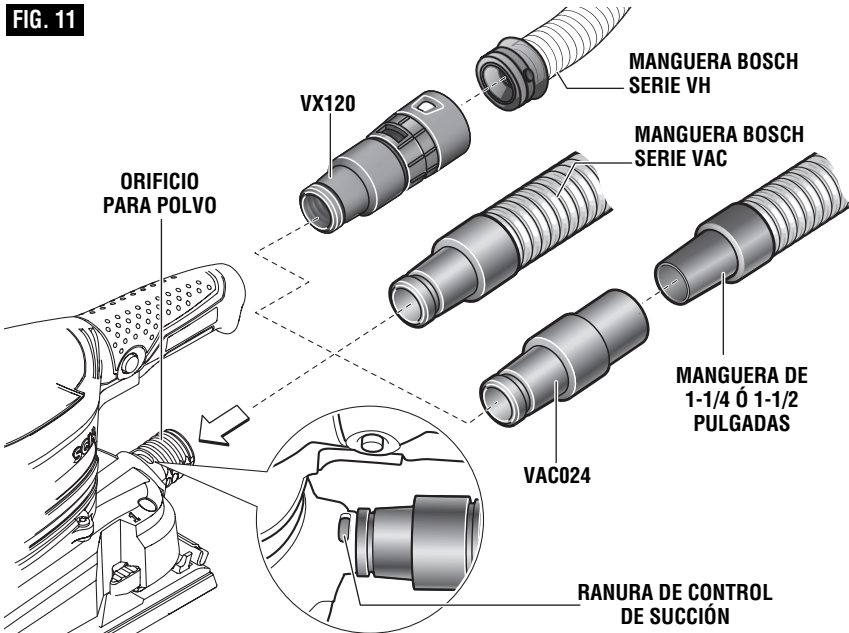
FIG. 10



CONEXIÓN DE UNA ASPIRADORA

La recolección de polvo también se puede lograr conectando la herramienta a una aspiradora / un extractor de polvo, una manguera y un adaptador, si es necesario

FIG. 11



1. Conecte la manguera a la aspiradora / al extractor de polvo.
2. Conecte la manguera al orificio para polvo de la herramienta de una de las siguientes maneras (Fig. 11):

- Mangueras Bosch serie VH: Se requiere el adaptador de manguera VX120 (incluido con las mangueras serie VH).
- Otras mangueras de 35 y 22 mm, tales como las mangueras Bosch serie VAC: Conecte la manguera directamente a la herramienta.
- Mangueras comunes de 1-1/4 o 1-1/2 pulgadas: Se requiere el adaptador Bosch VAC024.

CONTROL DE SUCCIÓN

Cuando utilice una manguera de aspiración con esta lijadora, la cantidad de succión se puede ajustar deslizando la manguera sobre o fuera de la ranura

abierta ubicada en el área del orificio para manguera de la lijadora.

La aspiradora debe ser adecuada para el material que se esté lijando.

Cuando aspire polvo seco que sea especialmente perjudicial para la salud o pueda ser cancerígeno, utilice una aspiradora especial.

Cuando lije en superficies verticales, sostenga la herramienta eléctrica de manera que la manguera de aspiración este orientada hacia abajo.

Instrucciones de funcionamiento

INTERRUPTOR GATILLO "ON/OFF" (DE ENCENDIDO Y APAGADO)

Para encender la herramienta (posición "ON"), apriete el interruptor gatillo. Para apagar la herramienta (posición "OFF"), suelte el interruptor gatillo que está accionado por resorte y volverá a la posición "OFF" automáticamente (Fig. 1).

Consulte COMIENZO DEL LIJADO en la página 36.

BOTON DE "FIJACION EN ON"

La herramienta también esta equipada con un botón de "Fijación en ON" ubicado en el lado izquierdo del mango gatillo, el cual permite un funcionamiento continuo a RPM máximas sin tener que mantener apretado el gatillo (Fig. 1).

PARA FIJAR EL INTERRUPTOR EN LA POSICION ON: apriete el gatillo, oprima el botón y suelte el gatillo.

PARA DESBLOQUEAR EL INTERRUPTOR: apriete el gatillo y suéltelo sin oprimir el botón de "Fijación en ON".

⚠ ADVERTENCIA Si se oprime continuamente el botón de "Fijación en ON", no se puede soltar el gatillo.

DIAL DE VELOCIDAD VARIABLE

La lijadora está equipada con un dial de velocidad variable (Fig. 1). La velocidad orbital de la lijadora se puede preajustar rotando el dial hasta cualquiera de las seis posiciones de 1 (8 000 OPM) a 6 (11 000 OPM).

En general,

- Las velocidades más altas se utilizan para lograr resultados más rápidamente.
- Las velocidades más bajas son especialmente apropiadas cuando se lijan

materiales blandos o enchapados delgados, para minimizar la posibilidad de sobrelijar.

Los mejores resultados se obtendrán lijando una muestra de prueba del material de la pieza de trabajo y determinando la mejor combinación de velocidad de lijado y hoja de lijar (papel de lija).

MANGO DELANTERO

La lijadora está equipada con un mango delantero extraíble para poder para lijar en espacios reducidos. Para quitar el mango, saque el tornillo con la llave hexagonal de 5 mm. Vuelva a instalar siempre el mango para la utilización normal. Según el trabajo, puede agarrar el mango trasero solo, el mango trasero y el mango delantero o el mango trasero y la parte superior de la caja del motor de agarre suave con contorno ergonómico, que está diseñada para ese fin (Fig. 1).

HOJAS ABRASIVAS (PAPEL DE LIJA)

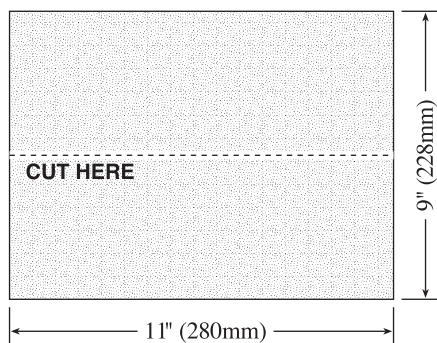
Se recomiendan el óxido de aluminio, el carburo de silicio u otros abrasivos sintéticos para utilizarse en el lijado mecánico. Los abrasivos naturales, tales como el pedernal o la hoja de granate, son demasiado blandos para el uso económico en el lijado mecánico. Para obtener los mejores resultados, use hojas abrasivas Bosch. La separación uniforme entre los granos minimiza la obturación o el ensuciamiento. La hoja de óxido de aluminio de alta calidad con refuerzo pesado corta más rápido y dura más tiempo.

Se recomiendan las hojas abrasivas y las aplicaciones que se indican a continuación:

	Aplicaciones	Grano
Madera	Para realizar lijado preliminar de tableros no acepillados de madera basta.	grueso 40, 60
	Para realizar lijado y alisado de etapa intermedia de irregularidades pequeñas.	mediano 80, 100, 120
	Para velocidad de acabado y lijado fijo y para hoja de lijar (papel de lija).	fino 180, 240, 320, 400
Pintura/esmaltes e imprimadores y materiales de relleno	Para retirar pintura.	grueso 40, 60
	Para lijar imprimador.	mediano 80, 100, 120
	Para realizar lijado final de imprimadores entre capas.	fino 180, 240, 320

Se pueden obtener hojas abrasivas adicionales convenientemente cortando hojas de tamaño grande disponibles comercialmente (tamaño estándar de 9" x 11" (228 x 280 mm)). Córteles en dos piezas de igual tamaño. Elija el grano adecuado para el trabajo.

FIG. 12



COMIENZO DEL LIJADO

Con la pieza de trabajo firmemente sujeta, coloque primero la almohadilla de la lijadora sobre la superficie de trabajo y luego encienda la herramienta.

NO ponga en marcha la herramienta y deje que alcance su velocidad máxima antes de aplicarla a la pieza de trabajo

NO aplique una presión excesiva cuando encienda la herramienta (ni en ningún otro momento)

Es probable que cualquiera de los dos métodos genere marcas de remolino.

La aplicación de una presión excesiva al poner en marcha la herramienta también acortará la vida útil del interruptor.

CONSEJOS DE LIJADO

Las lijadoras orbitales Bosch están diseñadas para producir acabados excepcionales en superficies de madera, quitar material rápidamente o quitar laca, barniz y otros acabados recubiertos.

El lijado orbital proporciona acabados finales rápidos y lisos. Y este modelo puede lijar al ras en los tres lados de la herramienta para llegar a lugares estrechos típicos de armarios, escritorios y estantes.

- La distribución uniforme del peso de esta lijadora y la prevención del deslizamiento del papel mediante el sistema SheetLoc eliminan prácticamente cualquier beneficio de presionar sobre la lijadora. La presión excesiva sobre la lijadora puede producir un trabajo de lijado desigual y un desgaste prematuro del grano. Una presión constante y excesiva puede causar recalentamiento y posibles daños al motor, así como desgaste prematuro de la zapata.
- Generalmente, lo mejor es trabajar en pasadas paralelas a la fibra, usando un poco de movimiento lateral para que las pasadas principales se superpongan tanto como en un 75%.
- Si la superficie es rugosa, empiece a lijar con un grano grueso, use luego un grano mediano y acabe con un grano fino o extrafino. Este procedimiento variará con diferentes tipos de materiales y trabajo.
- Continúe lijando con cada grano hasta que la superficie tenga un aspecto uniforme.
- Cuando pase de un tamaño de grano a un tamaño más fino, no salte más de dos tamaños de grano.
- Para quitar la mayor cantidad de material, use un grano grueso y mueva firmemente la lijadora sobre toda la superficie a contrafibra, así como en dirección de la fibra. **NO PERMANEZCA EN UN MISMO PUNTO DEMASIADO TIEMPO.** Si lo hace, podría quitar demasiado material y el resultado será un lijado desigual.
- El lijado en dirección de la fibra de la madera da el acabado final más liso.

RETIRADA DE LA LIJADORA

Retire la lijadora de la pieza de trabajo antes de poner el interruptor en la posición de "APAGADO". Al utilizar la lijadora de esta manera se prolongará la vida útil del interruptor y del motor y se aumentará enormemente la calidad del trabajo que se realice.

ALMACENAMIENTO DE LA LIJADORA

- No almacene la herramienta con las hojas de PSA en la zapata, ya que el lijado genera calor, el cual hará que la unión adhesiva entre el papel y la zapata se endurezca cuando el papel y la zapata se enfrien.

(Consulte REMOCIÓN DE HOJAS ABRASIVAS DE PSA que aparece en la página 33.)

Mantenimiento

Servicio

⚠ ADVERTENCIA El mantenimiento preventivo realizado por personal no autorizado puede dar lugar a la colocación incorrecta de cables y componentes internos que podría constituir un peligro serio. Recomendamos que todo el servicio de las herramientas sea realizado por un Centro de servicio de fábrica Bosch o por una Estación de servicio Bosch autorizada.

LUBRICACION DE LAS HERRAMIENTAS

Su herramienta Bosch ha sido lubricada adecuadamente y está lista para la utilización. Se recomienda que las herramientas con engranajes se vuelvan a engrasar con un lubricante especial para engranajes en cada cambio de escobillas.

ESCOBILLAS DE CARBÓN

Las escobillas y el conmutador de la herramienta han sido diseñados para muchas horas de servicio fiable. Para mantener un rendimiento óptimo del motor, recomendamos que cada dos a seis meses se examinen las escobillas. Sólo se deben usar escobillas de repuesto Bosch genuinas diseñadas específicamente para su herramienta.

RODAMIENTOS

Los rodamientos que se vuelven ruidosos (debido a la pesada carga o al corte de materiales muy abrasivos) deben ser sustituidos inmediatamente para evitar el sobrecalentamiento o el fallo del motor.

Limpieza

⚠ ADVERTENCIA Para evitar accidentes desconecte siempre la herramienta de la fuente de energía antes de la limpieza o de la realización de cualquier mantenimiento.

Las aberturas de ventilación y las palancas de interruptor deben mantenerse limpias y libres de materias extrañas. No intente limpiar introduciendo objetos puntiagudos a través de las aberturas.

⚠ PRECAUCIÓN Ciertos agentes de limpieza y disolventes dañan las piezas de plástico. Algunos de estos son: gasolina, tetracloruro de carbono, disolventes de limpieza clorados, amoníaco y detergentes domésticos que contienen amoníaco.

Cordones de extensión

⚠ ADVERTENCIA Si es necesario un cordón de extensión, se debe usar un cordón con conductores de tamaño adecuado que sea capaz de transportar la corriente necesaria para la herramienta. Esto evitará caídas de tensión excesivas, pérdida de potencia o recalentamiento. Las herramientas conectadas a tierra deben usar cordones de extensión de 3 hilos que tengan enchufes de 3 terminales y receptáculos para 3 terminales.

NOTA: Cuanto más pequeño sea el número de calibre, más alta será la capacidad del cordón.

TAMAÑOS RECOMENDADOS DE CORDONES DE EXTENSION HERRAMIENTAS DE 120 V CORRIENTE ALTERNA

Capacidad nominal en amperes de la herramienta	Tamaño del cordón en A.W.G.				Tamaños del cable en mm ²			
	Longitud del cordón en metros							
	25	50	100	150	15	30	60	120
3-6	18	16	16	14	0.75	0.75	1.5	2.5
6-8	18	16	14	12	0.75	1.0	2.5	4.0
8-10	18	16	14	12	0.75	1.0	2.5	4.0
10-12	16	16	14	12	1.0	2.5	4.0	–
12-16	14	12	–	–	–	–	–	–

Accesorios y aditamentos

Artículos incluidos	Disponibles por separado
Bote para polvo Hoja abrasiva Placa de perforación Llave hexagonal de 5 mm	Tipos adicionales de hojas de lijar Adaptador de manguera de aspiración VAC024 Manguera de aspiración Maletín de transporte L-Boxx-3

Notes / Notas / Remarques

This page was intentionally left blank
Cette page a été laissée vierge intentionnellement.
Esta página se dejó intencionalmente en blanco

Notes / Notas / Remarques

This page was intentionally left blank
Cette page a été laissée vierge intentionnellement.
Esta página se dejó intencionalmente en blanco

LIMITED WARRANTY OF BOSCH PORTABLE AND BENCHTOP POWER TOOLS

Robert Bosch Tool Corporation ("Seller") warrants to the original purchaser only, that all BOSCH portable and benchtop power tools will be free from defects in material or workmanship for a period of one year from date of purchase. SELLER'S SOLE OBLIGATION AND YOUR EXCLUSIVE REMEDY under this Limited Warranty and, to the extent permitted by law, any warranty or condition implied by law, shall be the repair or replacement of parts, without charge, which are defective in material or workmanship and which have not been misused, carelessly handled, or misrepaired by persons other than Seller or Authorized Service Station. To make a claim under this Limited Warranty, you must return the complete portable or benchtop power tool product, transportation prepaid, to any BOSCH Factory Service Center or Authorized Service Station. For Authorized BOSCH Power Tool Service Stations, please refer to your phone directory.

THIS LIMITED WARRANTY DOES NOT APPLY TO ACCESSORY ITEMS SUCH AS CIRCULAR SAW BLADES, DRILL BITS, ROUTER BITS, JIGSAW BLADES, SANDING BELTS, GRINDING WHEELS AND OTHER RELATED ITEMS.

ANY IMPLIED WARRANTIES SHALL BE LIMITED IN DURATION TO ONE YEAR FROM DATE OF PURCHASE. SOME STATES IN THE U.S., SOME CANADIAN PROVINCES DO NOT ALLOW LIMITATIONS ON HOW LONG AN IMPLIED WARRANTY LASTS, SO THE ABOVE LIMITATION MAY NOT APPLY TO YOU.

IN NO EVENT SHALL SELLER BE LIABLE FOR ANY INCIDENTAL OR CONSEQUENTIAL DAMAGES (INCLUDING BUT NOT LIMITED TO LIABILITY FOR LOSS OF PROFITS) ARISING FROM THE SALE OR USE OF THIS PRODUCT. SOME STATES IN THE U.S. AND SOME CANADIAN PROVINCES DO NOT ALLOW THE EXCLUSION OR LIMITATION OF INCIDENTAL OR CONSEQUENTIAL DAMAGES, SO THE ABOVE LIMITATION OR EXCLUSION MAY NOT APPLY TO YOU.

THIS LIMITED WARRANTY GIVES YOU SPECIFIC LEGAL RIGHTS, AND YOU MAY ALSO HAVE OTHER RIGHTS WHICH VARY FROM STATE TO STATE IN THE U.S., PROVINCE TO PROVINCE IN CANADA AND FROM COUNTRY TO COUNTRY.

THIS LIMITED WARRANTY APPLIES ONLY TO PORTABLE AND BENCHTOP ELECTRIC TOOLS SOLD WITHIN THE UNITED STATES OF AMERICA, CANADA AND THE COMMONWEALTH OF PUERTO RICO. FOR WARRANTY COVERAGE WITHIN OTHER COUNTRIES, CONTACT YOUR LOCAL BOSCH DEALER OR IMPORTER.

GARANTIE LIMITÉE DES OUTILS ÉLECTRIQUES PORTATIFS ET D'ÉTABLI BOSCH

Robert Bosch Tool Corporation (le « vendeur ») garantit à l'acheteur initial seulement que tous les outils électriques portatifs et d'établi BOSCH seront exempts de vices de matériaux ou d'exécution pendant une période d'un an depuis la date d'achat. LA SEULE OBLIGATION DU VENDEUR ET LE SEUL RECOURS DE L'ACHETEUR sous la présente garantie limitée, et en autant que la loi le permette sous toute garantie ou condition implicite qui en découlerait, sera l'obligation de remplacer ou réparer gratuitement les pièces défectueuses matériellement ou comme fabrication, pourvu que lesdites défectuosités ne soient pas attribuables à un usage abusif ou à quelque réparation bricolée par quelqu'un d'autre que le vendeur ou le personnel d'une station-service agréée. Pour présenter une réclamation en vertu de cette garantie limitée, vous devez renvoyer l'outil électrique portatif ou d'établi complet, port payé, à tout centre de service agréé ou centre de service usine. Veuillez consulter votre annuaire téléphonique pour les adresses.

LA PRÉSENTE GARANTIE NE S'APPLIQUE PAS AUX ACCESSOIRES TELS QUE LAMES DE SCIES CIRCULAIRES, MÊCHES DE PERCEUSES, FERS DE TOUPIES, LAMES DE SCIES SAUTEUSES, COURROIES DE PONÇAGE, MEULES ET AUTRES ARTICLES DU GENRE.

TOUTE GARANTIE IMPLICITE SERA LIMITÉE COMME DURÉE À UN AN À COMPTER DE LA DATE D'ACHAT. CERTAINS ÉTATS AMÉRICAINS, CERTAINES PROVINCES CANADIENNES N'ADMETTENT PAS LE PRINCIPE DE LA LIMITATION DE LA DURÉE DES GARANTIES IMPLICITES, IL EST POSSIBLE QUE LES LIMITATIONS CI-DESSUS NE S'APPLIQUENT PAS À VOTRE CAS.

EN AUCUN CAS LE VENDEUR NE SAURAIT ÊTRE TENU POUR RESPONSABLE DES INCIDENTS OU DOMMAGES INDIRECTS (INCLUANT, MAIS NE SE LIMITANT PAS AUX PERTES DE PROFITS) CONSÉQUENTS À LA VENTE OU L'USAGE DE CE PRODUIT. CERTAINS ÉTATS AMÉRICAINS ET CERTAINES PROVINCES CANADIENNES N'ADMETTENT PAS LE PRINCIPE DE LA LIMITATION NI L'EXCLUSION DES DOMMAGES INDIRECTS ET CONSÉQUENTIELS, IL EST POSSIBLE QUE LES LIMITATIONS OU EXCLUSIONS CI-DESSUS NE S'APPLIQUENT PAS À VOTRE CAS.

LA PRÉSENTE GARANTIE VOUS ACCORDE DES DROITS BIEN DÉTERMINÉS, Y COMPRIS POSSIBLEMENT CERTAINS DROITS VARIABLES DANS LES DIFFÉRENTS ÉTATS AMÉRICAINS, PROVINCES CANADIENNES ET DE PAYS À PAYS.

CETTE GARANTIE LIMITÉE NE S'APPLIQUE QU'AUX OUTILS ÉLECTRIQUES PORTATIFS ET D'ÉTABLI VENDUS AUX ÉTATS-UNIS D'AMÉRIQUE, AU CANADA ET AU COMMONWEALTH DE PORTO RICO. POUR COUVERTURE DE GARANTIE DANS LES AUTRES PAYS, CONTACTEZ VOTRE IMPORTATEUR OU REVENDEUR BOSCH LOCAL.

GARANTIA LIMITADA PARA HERRAMIENTAS MECANICAS PORTATILES Y PARA TABLERO DE BANCO BOSCH

Robert Bosch Tool Corporation ("el Vendedor") garantiza, únicamente al comprador original, que todas las herramientas mecánicas portátiles y para tablero de banco BOSCH estarán libres de defectos de material o de fabricación durante un periodo de un año a partir de la fecha de compra. LA ÚNICA OBLIGACION DEL VENDEDOR Y EL RECURSO EXCLUSIVO QUE USTED TIENE bajo esta Garantía Limitada y, hasta donde la ley lo permita, bajo cualquier garantía o condición implícita por ley, consistirá en la reparación o sustitución sin costo de las piezas que presenten defectos de material o de fabricación y que no hayan sido utilizadas incorrectamente, manejadas descuidadamente o reparadas incorrectamente por personas que no sean el Vendedor o una Estación de servicio autorizada. Para efectuar una reclamación bajo esta Garantía Limitada, usted debe devolver el producto, que consiste en la herramienta mecánica portátil o para tablero de banco completa, con el transporte pagado, a cualquier Centro de servicio de fábrica o Estación de servicio autorizada. Para Estaciones de servicio autorizadas de herramientas mecánicas BOSCH, por favor, consulte el directorio telefónico.

ESTA GARANTIA LIMITADA NO SE APLICA A ARTICULOS ACCESORIOS TALES COMO HOJAS PARA SIERRAS CIRCULARES, BROCAS PARA TALADROS, BROCAS PARA FRESADORAS, HOJAS PARA SIERRAS DE VAIVEN, CORREAS PARA LIJAR, RUEDAS DE AMOLAR Y OTROS ARTICULOS RELACIONADOS.

TODAS LAS GARANTIAS IMPLICITAS TENDRAN UNA DURACION LIMITADA A UN AÑO A PARTIR DE LA FECHA DE COMPRA. ALGUNOS ESTADOS DE LOS EE.UU. Y ALGUNAS PROVINCIAS CANADIENSES NO PERMITEN LIMITACIONES EN CUANTO A LA DURACION DE UNA GARANTIA IMPLICITA, POR LO QUE ES POSIBLE QUE LA LIMITACION ANTERIOR NO SEA APLICABLE EN EL CASO DE USTED.

EL VENDEDOR NO SERA RESPONSABLE EN NINGUN CASO DE NINGUN DAÑO INCIDENTAL O EMERGENTE (INCLUYENDO PERO NO LIMITADO A RESPONSABILIDAD POR PERDIDA DE BENEFICIOS) QUE SE PRODUZCA COMO CONSECUENCIA DE LA VENTA O UTILIZACION DE ESTE PRODUCTO. ALGUNOS ESTADOS DE LOS EE.UU. Y ALGUNAS PROVINCIAS CANADIENSES NO PERMITEN LA EXCLUSION O LIMITACION DE LOS DAÑOS INCIDENTALES O EMERGENTES, POR LO QUE ES POSIBLE QUE LA LIMITACION O EXCLUSION ANTERIOR NO SEA APLICABLE EN EL CASO DE USTED.

ESTA GARANTIA LIMITADA LE CONFIERE A USTED DERECHOS LEGALES ESPECIFICOS Y ES POSIBLE QUE USTED TAMBIEN TENGA OTROS DERECHOS QUE VARIAN DE ESTADO A ESTADO EN LOS EE.UU., DE PROVINCIA A PROVINCIA EN CANADA Y DE UN PAIS A OTRO.

ESTA GARANTIA LIMITADA SE APLICA SOLAMENTE A HERRAMIENTAS ELECTRICAS PORTATILES Y PARA TABLERO DE BANCO VENDIDAS EN LOS ESTADOS UNIDOS DE AMERICA, CANADA Y EL ESTADO LIBRE ASOCIADO DE PUERTO RICO. PARA COBERTURA DE GARANTIA EN OTROS PAISES, PONGASE EN CONTACTO CON SU DISTRIBUIDOR O IMPORTADOR LOCAL DE BOSCH.

© Robert Bosch Tool Corporation 1800 W. Central Road Mt. Prospect, IL 60056-2230

Exportado por: Robert Bosch Tool Corporation Mt. Prospect, IL 60056-2230, E.U.A.

Importado en México por: Robert Bosch, S.A. de C.V., Calle Robert Bosch No. 405, Zona Industrial, Toluca, Edo. de México, C.P. 50070, Tel. (722) 2792300



2 6 1 0 0 5 1 9 5 4

2610051954 08/18