

IMPORTANT:
Read Before Using

IMPORTANT :
Lire avant usage

IMPORTANTE:
Leer antes de usar



Operating / Safety Instructions

Consignes d'utilisation / de sécurité

Instrucciones de funcionamiento y seguridad

GLL 50
GLL 55



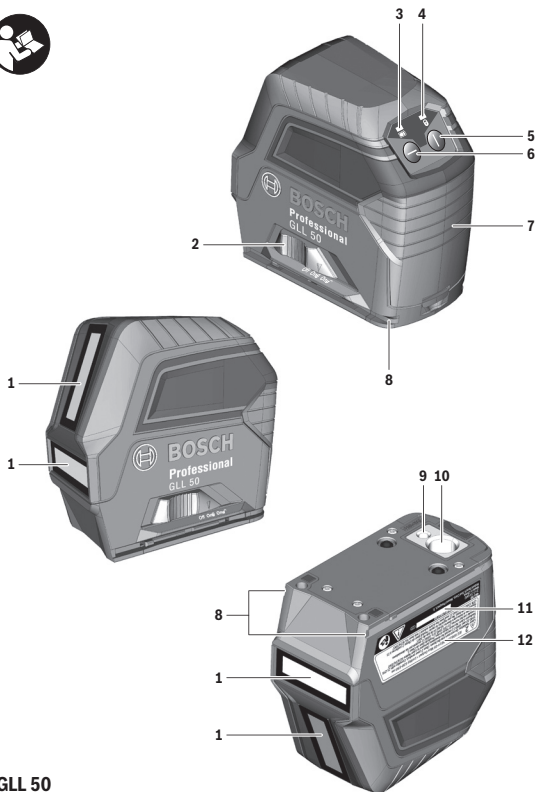
BOSCH

1-877-BOSCH99 (1-877-267-2499) www.boschtools.com

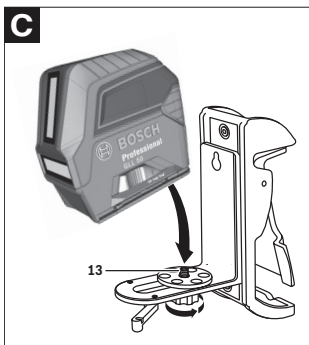
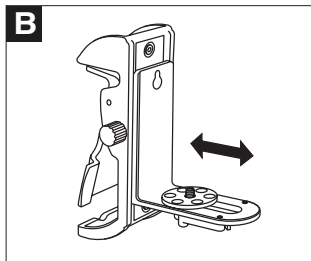
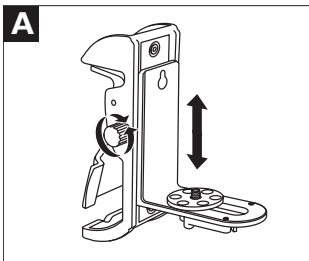
English Version
See page 7

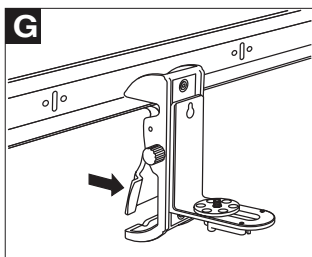
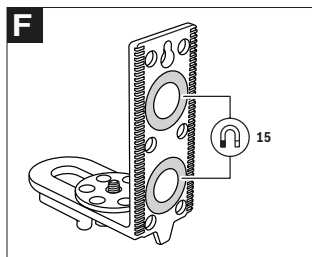
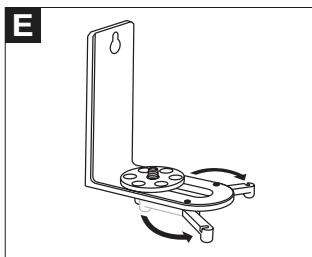
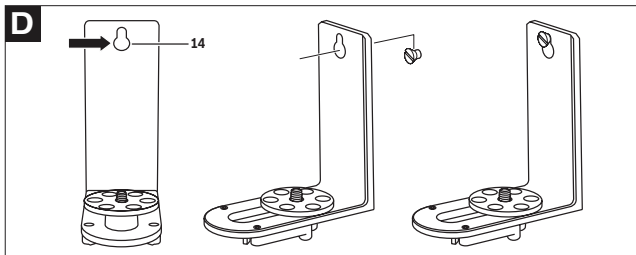
Version française
Voir page 34

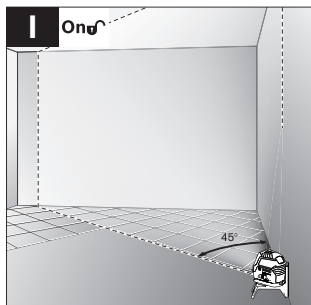
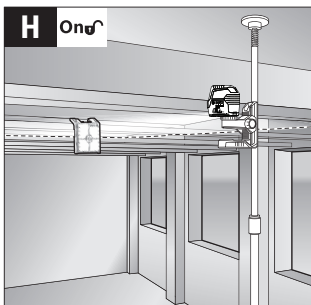
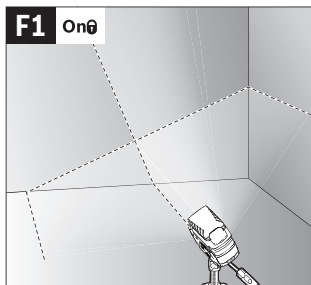
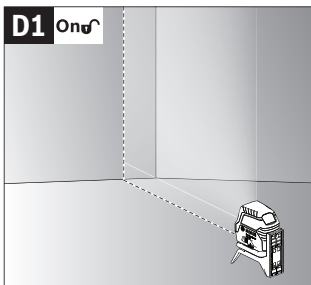
Versión en español
Ver la página 65

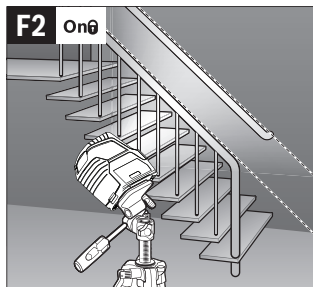
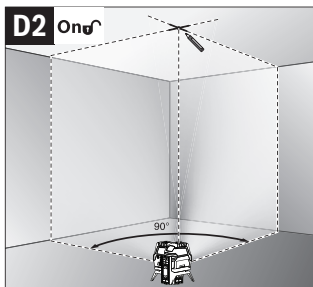
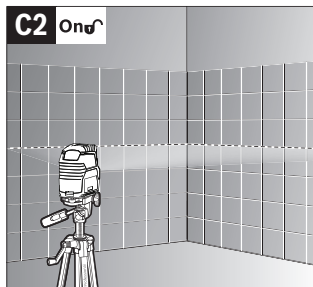
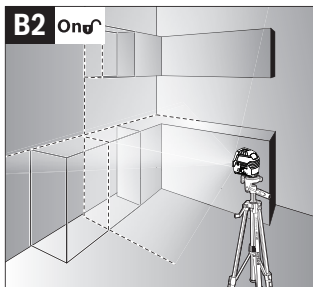


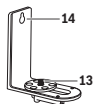
GLL 50



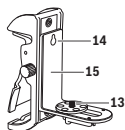








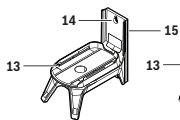
16
(1 600 A00 19K)



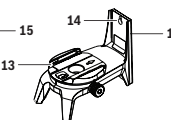
17
BM 3 (1 600 A00 19K)



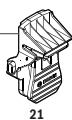
18
1 600 A00 19K



19
RM 1 (0 601 092 610)



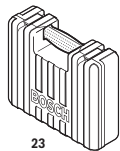
20
RM 2 (0 601 092 710)



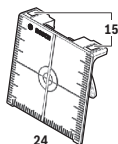
21
BM 1 (0 601 015 A11)



22
1 618 C01 44F



23
1 618 C01 44K



24
1 608 M00 806



25
BT 150
(0 601 096 B10)







26
BP 350
(0 601 015 B10)



27
1 608 M00 70J

Safety Symbols

The definitions below describe the level of severity for each signal word. Please read the manual and pay attention to these symbols.

	This is the safety alert symbol. It is used to alert you to potential personal injury hazards. Obey all safety messages that follow this symbol to avoid possible injury or death.
	DANGER indicates a hazardous situation which, if not avoided, will result in death or serious injury.
	WARNING indicates a hazardous situation which, if not avoided, will result in death or serious injury.
	CAUTION, used with the safety alert symbol, indicates a hazardous situation which, if not avoided, will result in minor or moderate injury.

General Safety Rules




WARNING

Read all instructions. Failure to follow all instructions listed below may result in hazardous radiation exposure, electric shock, fire and/or serious injury.

SAVE ALL WARNINGS AND INSTRUCTIONS FOR FUTURE REFERENCE

The term “tool” in the warnings listed below refers to your mains-operated (corded) tool or battery-operated (cordless) tool.

The following labels are on your laser tool for your convenience and safety. They indicate where the laser light is emitted by the tool. **ALWAYS BE AWARE** of their location when using the tool.

 IEC 60825-1:2014-05 Max Output <1mW@ 630-650 nm Laser Radiation. Do not stare into the beam. Class 2 Laser product. Complies with 21 CFR 1040.10 and 1040.11 except for deviations pursuant to Laser Notice 50, 6/24/2007
Radiación Láser. No mirar hacia el rayo. Producto Láser de Clase 2.
Cumple con las normas 21 CFR 1040.10 y 1040.11 excepto por las desviaciones conforme al Aviso para láseres 50 del 24 de julio de 2007.
Rayonnement laser. Ne pas regarder le rayon. Produit laser de Classe 2 conforme à 21 CFR 1040.10 et 1040.11 sauf pour les écarts suivant l'avis laser 50, 6/24/2007



DO NOT direct the laser beam at persons or animals and do not stare into the laser beam yourself.

This tool produces laser class 2 laser radiation and complies with 21 CFR 1040.10 and 1040.11 except for deviations pursuant to Laser Notice No. 50, dated June 24, 2007. This can lead to persons being blinded.

DO NOT remove or deface any warning or caution labels. Removing labels increases the risk of exposure to laser radiation.

Use of controls or adjustments or performance of procedures other than those specified in this manual, may result in hazardous radiation exposure.

ALWAYS make sure that any bystanders in the vicinity of use are made aware of the dangers of looking directly into the laser tool.

DO NOT place the laser tool in a position that may cause anyone to stare into the laser beam intentionally or unintentionally. Serious eye injury could result.

ALWAYS position the laser tool securely. Damage to the laser tool and/or serious injury to the user could result if the laser tool falls.

ALWAYS use only the accessories that are recommended by the manufacturer of your laser tool. Use of accessories that have been designed for use with other laser tools could result in serious injury or unsatisfactory performance.

DO NOT use this laser tool for any purpose other than those outlined in this manual. This could result in serious injury or unsatisfactory performance.

DO NOT leave the laser tool “ON” unattended in any operating mode.

DO NOT disassemble the laser tool. There are no user serviceable parts inside. Do not modify the product in any way. Modifying the laser tool may result in hazardous laser radiation exposure.

Work area safety

Keep work area clean and well lit. Cluttered or dark areas invite accidents.

DO NOT operate the laser tool around children or allow children to operate the laser tool. Serious eye injury could result.

Do not operate the measuring tool in explosive environments, such as in the presence of flammable liquids, gases or dusts. Sparks can be created in the measuring tool which may ignite the dust or fumes.

Electrical safety

Batteries can explode or leak, cause injury or fire. To reduce this risk, always follow all instructions and warnings on the battery label and package.

DO NOT short any battery terminals.

DO NOT charge alkaline batteries.

DO NOT mix old and new batteries.

Replace all of them at the same time with new batteries of the same brand and type.

DO NOT mix battery chemistries. Dispose of or recycle batteries per local code.

DO NOT dispose of batteries in fire.

Keep batteries out of reach of children.

Remove batteries if the device will not be used for several months.

Personal safety

If laser radiation strikes your eye, you must deliberately close your eyes and immediately turn your head away from the beam.

Do not make any modifications to the laser equipment.

Do not use the laser viewing glasses as safety goggles. The laser viewing glasses are used for improved visualisation of the laser beam, but they do not protect against laser radiation.

Do not use the laser viewing glasses as sun glasses or in traffic. The laser viewing glasses do not afford complete UV protection and reduce colour perception.

DO NOT use any optical tools such as, but not limited to, telescopes or transits to view the laser beam. Serious eye injury could result.

Stay alert, watch what you are doing and use common sense when operating a tool. Do not use a tool while you are tired or under the influence of drugs, alcohol or medication. A moment of inattention while operating a tool may result in serious personal injury or incorrect measurement results.

Use safety equipment. Always wear eye protection. Safety equipment such as dust mask, non-skid safety shoes, hard hat, or hearing protection used for appropriate conditions will reduce personal injuries.

Magnets

Keep the tool, L-bracket (16), BM 1 (21), laser target (24), BM 3 (17), and magnetic rotating mounts (19, 20) away from cardiac pacemakers. The magnets of the tool and laser target plate generate a field that can impair the function of cardiac pacemakers.



Keep the tool, L-bracket (16), BM 1 (21), laser target (24), BM 3 (17), and magnetic rotating mounts (19, 20) away from magnetic data medium and magnetically-sensitive equipment. The effect of the magnets of the tool and laser target plate can lead to irreversible data loss.

Use and care

Use the correct tool for your application. The correct tool will do the job better and safer.

Do not use the tool if the switch does not turn it on and off. Any tool that cannot be controlled with the switch is dangerous and must be repaired.

Store idle tool out of the reach of children and do not allow persons unfamiliar with the tool or these instructions to operate the tool. Tools are dangerous in the hands of untrained users.

Maintain tools. Check for misalignment or binding of moving parts, breakage of parts and any other condition that may affect the operation. If damaged, tool repaired before use. Many accidents are caused by poorly maintained tools.

Use the tool, accessories, etc., in accordance with these instructions and in the manner intended for the particular type of tool, taking into account the working conditions and the work to be performed. Use of the tool for operations different from those intended could result in a hazardous situation.

Service

Have your tool serviced by a qualified repair person using only identical replacement parts. This will ensure that the safety of the tool is maintained.

Develop a periodic maintenance schedule for tool. When cleaning a tool be careful not to disassemble any portion of the tool since internal wires may be misplaced or pinched or may be improperly mounted. Certain cleaning agents such as gasoline, carbon tetrachloride, ammonia, etc. may damage plastic parts.

SAVE THESE INSTRUCTIONS.

Intended Use

The measuring tool is intended for determining and checking horizontal and vertical lines.

Features

The numbering of the product features shown refers to the illustration of the tool on the graphic page.

- | | |
|---|--|
| 1 Exit opening for laser beam | 15 Magnets |
| 2 On/Off switch | 16 L-bracket* |
| 3 Battery capacity indicator | 17 Bracket with Ceiling grid clip (BM 3)* |
| 4 Working without automatic leveling indicator | 18 Ceiling grid clip* |
| 5 Button for vertical line operating mode | 19 Magnetic Rotating Mount (RM 1)* |
| 6 Button for horizontal line operating mode | 20 Magnetic Rotating Mount w/ Fine Adjust (RM 2)* |
| 7 Battery lid | 21 Positioning device (BM 1)* |
| 8 Mounting slot | 22 Protective pouch* |
| 9 Tripod mount 1/4" | 23 Case* |
| 10 Tripod mount 5/8" | 24 Laser target plate* |
| 11 Serial number | 25 Compact tripod (BT 150)* |
| 12 Laser warning label | 26 Telescopic rod (BP 350)* |
| 13 Tool Mount | 27 Laser viewing glasses* |
| 14 Fastening slot | |

* The accessories illustrated or described are not included as standard delivery.

Technical Data

Model Number	GLL 50 / GLL 55
Article number0601063F1X
Working range ¹⁾50 ft (15 m)
Leveling Accuracy	$\pm 1/8$ @ 33 ft (3 mm @ 10 m)
Self-leveling range, typically	$\pm 4^\circ$
Leveling duration, typically	< 4 s
Operating temperature	14° F to 122° F (-10° C to +50° C)
Storage temperature	-4° F to 158° F (-20° C to +70° C)
Relative air humidity, max.	90%
Laser class	2
Laser type	630-650 nm, <1 mW
C ₆	1
Divergence	0.5 mrad (full angle)
Tripod mount1/4", 5/8"
Batteries	3 x 1.5 V LR06 (AA)
Operating duration in operating mode	
Cross-line operation11 h
Line operation	19 h
Weight	1.08 lbs (0.49 kg)
Dimensions	4.4 x 2.2 x 4.2 in (112 x 55 x 106 mm)
Degree of protection	IP 54 (dust and splash water protected)

The tool can be clearly identified with the serial number on the type plate.

¹⁾ The working range can be decreased by unfavorable environmental conditions (e.g. direct sun exposure).

Preparation

Inserting/Replacing the Battery

Alkali-manganese batteries are recommended for the measuring tool.

– Fold open the battery lid **7** and insert the batteries. When inserting, pay attention to the correct polarity according to the representation on the inside of the battery compartment.

If the batteries become weak, the battery capacity indicator **3** will flash green. The laser lines will also flash every 10 mins for approx. 5 s. The measuring tool can be operated for approx. 1 hour after the first flashing. If the batteries become empty, the laser lines will flash again before automatic shutoff.

Always replace all batteries at the same time. Only use batteries from one brand and with the identical capacity.

Remove the batteries from the measuring tool when not using it for extended periods. When storing for extended periods, the batteries can corrode and self-discharge.

Working with the BM 3 (see figures A – G)

The L-bracket **16** of the BM 3 **17** provides easy ability to properly position the laser line or lines.

It attaches to job site surfaces as follows:

- To drywall or wood walls using No. 8 screws
- To sit on the floor using retractable feet
- To steel studs using the magnets on the back
- To ceiling grid rails using the clip functionality

It can also be used as a mini tripod.

- To attach the laser tool, screw the 1/4"-20 mount **13** into the tool and tighten. Turn the knob and tool together as necessary to properly position the laser line or lines.

- To adjust the height of the laser lines, adjust the height using the adjustment knob on the ceiling grid clip **18** of the BM 3 **17**.

Tip: It is recommended to clean the back of the L-bracket **16** before mounting via the magnets to make sure you have the optimal magnetic hold of the tool on the mounting surface. Cleaning this will reduce the amount of interference from any dust or debris between the magnets **15**, L-bracket **16** and the mounting surface on the jobsite.

Operation

Initial Operation

 **WARNING** Protect the measuring tool against moisture and direct sun exposure.


Do not subject the measuring tool to extreme temperatures or variations in temperature. For example, do not leave it in vehicles for a long time. In case of large variations in temperature, allow the measuring tool to adjust to the ambient temperature before putting it into operation. In case of extreme temperatures or variations in temperature, the accuracy of the measuring tool can be impaired.

Avoid heavy impact to or falling down of the measuring tool. Damage to the measuring tool can impair its accuracy. After heavy impact or shock, compare the laser lines with a known horizontal or vertical reference line.

Switch the tool off during transport. Slide the On/Off switch **2** to the "Off" position when transporting the measuring tool. This locks the leveling unit, which can be damaged in case of intense movement.


Switching On and Off

To save energy, only switch the measuring tool on when you are using it.

 **WARNING** Do not leave the switched-on measuring tool unattended and switch the measuring tool off after use. Other persons could be blinded by the laser beam.

– To **switch on** the measuring tool, slide the On/Off switch **2** to position “**On**” (for working without automatic leveling) or to position “**On**” (for working with automatic leveling).

As soon as it is switched on, the measuring tool projects laser lines from the exit openings **1**.

 **WARNING** Do not point the laser beam at persons or animals and do not look into the laser beam yourself, not even from a long distance.

– To **switch off** the measuring tool, slide the On/Off switch **2** to position “**Off**”.

The pendulum unit is locked when the tool is switched off.

When exceeding the maximum permitted operating temperature of 122° F (+ 50° C), the measuring tool switches off to protect the laser diode. After cooling down, the measuring tool is ready for operation and can be switched on again.

Automatic Shut-off

When no button on the measuring tool is pressed for approx. 120 minutes, the measuring tool automatically switches off to save battery life.

– To switch the measuring tool back on after automatic shutoff, you can either slide the On/Off switch **2** to position “**Off**” first and then switch the measuring tool back on, or press button **6**.

Deactivating the Automatic Shut-off:

– To deactivate automatic shut-off, hold down button **6** for at least 3 s with the measuring tool switched on. When automatic shut-off is deactivated, the laser lines will flash briefly as confirmation.

Note: When the operating temperature exceeds 113° F (+ 45° C), the automatic shut-off can no longer be deactivated.

Activating the Automatic Shut-off:

– To activate the automatic shut-off, switch the measuring tool off and then on again.

Setting the Operating Mode (see figures B1–F1)

The measuring tool has several operating modes between which you can switch at any time:

– Cross-line operation: The measuring tool generates a horizontal and a vertical laser line facing forward.

The laser lines cross at a 90° angle.

– Horizontal line operation: The measuring tool generates a horizontal laser line facing forward.

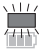

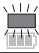





– Vertical line operation: The measuring tool generates a vertical laser line facing forward.

When the measuring tool is positioned in the room, the vertical laser line is displayed on the ceiling beyond the upper laser point.

When the measuring tool is positioned directly against a wall, the vertical laser line generates an almost completely allround laser line (360° line).

All modes can be selected both with and without automatic leveling.

Working with Automatic Leveling

Sequence of actions	Horizontal line operation	Vertical line operation	Indicator 3 for battery capacity	Indicator 4 for working without automatic leveling	Figure
On/Off switch 2 in position “ On ”	● ● Cross-line operation		 green		B2
Press button for horizontal line operating mode 6 once	● —		 green		C2, H
Mode Press button for vertical line operating mode 5 once	— ●		 green		I, D2
Press button for vertical line operating mode 5 once and horizontal line operating mode 6 once	● ●		 green		F1, F2

If the measuring tool is outside of the self-leveling range, the laser lines will flash quickly.

If during work with automatic leveling you switch to the “working without automatic leveling” mode (On/Off switch **2** in position “**On**”), the first combination of this mode’s lines is always activated.

Working without Automatic Leveling

The laser lines flash slowly in the “working without automatic leveling” mode.

If during work without automatic leveling you switch to the “working with automatic leveling” mode (On/Off switch **2** in position “**On**”), the first combination of this mode’s indicators is always activated.

Automatic Leveling

Working with Automatic Leveling (see figures B1–E1)

- Position the measuring tool on a level, firm support or attach it to the rotating mount **19** and **20**.
- For work with automatic leveling, slide the On/Off switch **2** to position “**On**”.

After switching on, the leveling function automatically compensates irregularities within the self-leveling range of $\pm 4^\circ$. The measuring tool is levelled in as soon as the laser lines no longer flash.

The laser beam will flash if the automatic leveling is not possible. This can be caused by placing the measuring tool on a surface that deviates by more than 4° from the horizontal plane. In this case, bring the measuring tool to the level position and wait for the self-leveling to take place.

In case of ground vibrations or position changes during operation, the measuring tool is automatically levelled in again. To avoid errors by moving the measuring tool, check the position of the laser beams with regard to the reference points upon re-leveling.

Working without Automatic Leveling (see figure F1)

- For work without automatic leveling, slide the On/Off switch **2** to position “**Off**”. When automatic leveling is switched off, the laser lines will flash continuously.

When automatic leveling is switched off, you can hold the measuring tool freely in your hand or place it on an inclined surface. The laser beams no longer necessarily run perpendicular to each other.

Leveling Accuracy

Influences on Accuracy

The ambient temperature has the greatest influence. Temperature differences occurring from the ground upward, can divert the laser beam.

In addition to external influences, device-specific influences (e.g. falls or heavy impacts) can also lead to deviations. For this reason, check the leveling accuracy each time before beginning work.

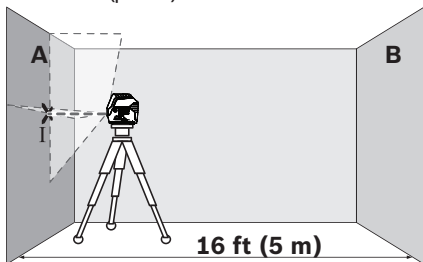
First, check both the height as well as the leveling accuracy of the horizontal laser line, then the leveling accuracy of the vertical laser line.

Should the measuring tool exceed the maximum deviation during one of the tests, please have it repaired by a Bosch after-sales service.

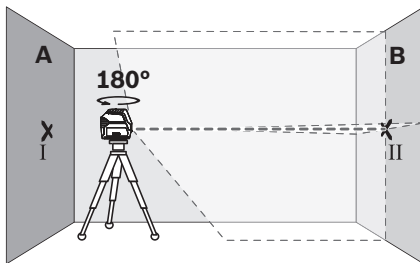
Checking the Height Accuracy of the Horizontal Line

For this check, a free measuring distance of 16 ft (5 m) on a firm surface between two walls A and B is required.

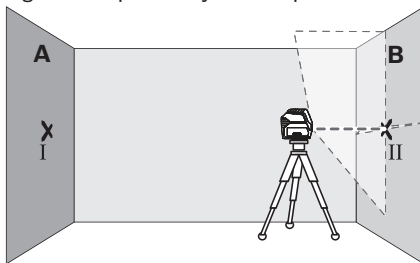
- Mount the measuring tool onto a tripod or place it on a firm and level surface close to wall A. Switch on the measuring tool. Select cross-line operation with automatic leveling.
- Direct the laser against the close wall A and allow the measuring tool to level in. Mark the center of the point where the laser lines cross each other on the wall (point I).



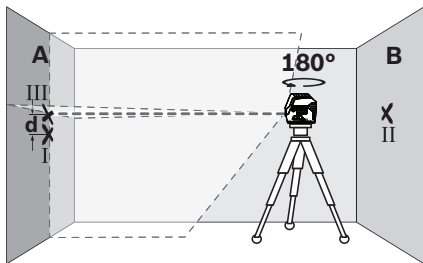
- Turn the measuring tool by 180°, allow it to level in and mark the cross point of the laser lines on the opposite wall B (point II).



- Without turning the measuring tool, position it close to wall B. Switch the measuring tool on and allow it to level in.
- Align the height of the measuring tool (using a tripod or by underlaying, if required) in such a manner that the cross point of the laser lines is projected against the previously marked point II on the wall B.



- Without changing the height, turn around the measuring tool by 180°. Direct it against the wall A in such a manner that the vertical laser line runs through the already marked point I. Allow the measuring tool to level in and mark the cross point of the laser lines on the wall A (point III).



– The difference d of both marked points I and III on wall A indicates the actual height deviation of the measuring tool.

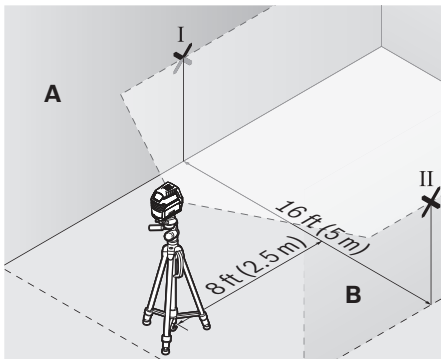
The maximum permitted deviation d_{max} can be calculated as follows:
 $d_{max} = \text{double the distance between the walls} \times 0.0118 \text{ in (0.3 mm)}$

Example: If the distance between the walls is 16 ft (5 m), the maximum deviation is $d_{max} = 2 \times 16 \text{ ft} \times 0.0118 \text{ in} = 0.118 \text{ in}$ ($2 \times 5 \text{ m} \times 0.3 \text{ mm/m} = 3 \text{ mm}$). The marks must therefore be maximum 0.118 in (3 mm) apart.

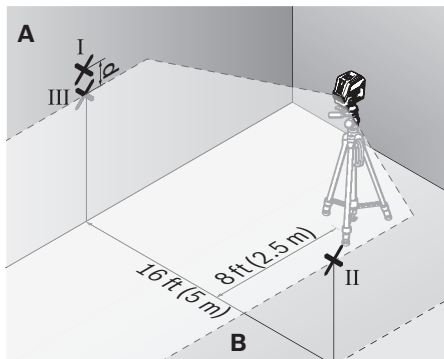
Checking the Leveling Accuracy of the Horizontal Line

For the check, an open area of approx. 16 x 16 ft is required.

- Set up the measuring tool on a firm, level surface between both walls A and B. Allow the measuring tool to level in while in horizontal operation.
- At a distance of 8 ft (2.5 m) from the measuring tool, mark the center of the laser line (point I on wall A and point II on wall B) on both walls.



- Set up the measuring tool 16 ft (5 m) away turned by 180° and allow it to level in.
- Align the height of the measuring tool (using a tripod or by underlaying, if required) in such a manner that the center of the laser line is projected exactly against the previously marked point II on wall B.
- Mark the center of the laser line as point III (vertically above or below point I) on the wall A.



– The difference d of both marked points I and III on wall A indicates the actual deviation of the measuring tool from the level plane.

The maximum permitted deviation d_{max} can be calculated as follows:
 $d_{max} = \text{double the distance between the walls} \times 0.0118 \text{ in (0.3 mm)}$

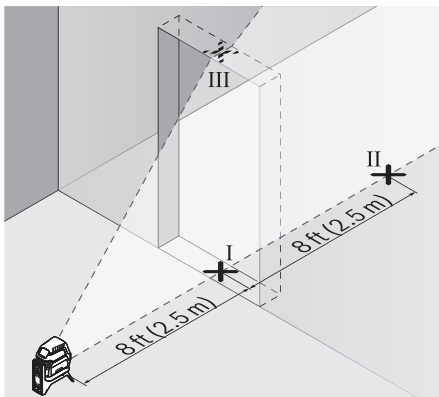
Example: If the distance between the walls is 16 ft (5 m), the maximum deviation is $d_{max} = 2 \times 16 \text{ ft} \times 0.0118 \text{ in} = 0.118 \text{ in}$ ($2 \times 5 \text{ m} \times 0.3 \text{ mm/m} = 3 \text{ mm}$). The marks must therefore be maximum 0.118 in (3 mm) apart.

Checking the Leveling Accuracy of the Vertical Line

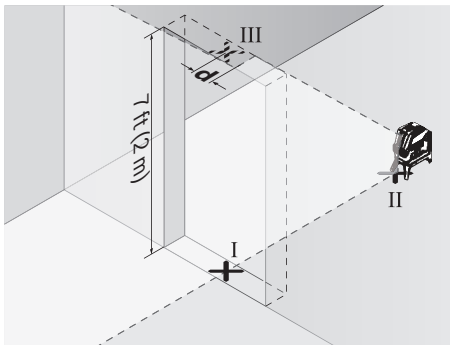
For this check, a door opening is required with at least 8 ft (2.5 m) of space (on a firm surface) to each side of the door.

– Position the measuring tool on a firm, level surface (not on a tripod) 8 ft (2.5 m) away from the door opening. Allow the measuring tool to level in while in cross-line operation mode, and direct the laser beams at the door opening.

- Mark the center of the vertical laser line at the floor of the door opening (point I), at a distance of 16 ft (5 m) beyond the other side of the door opening (point II) and at the upper edge of the door opening (point III).



- Position the measuring tool on the other side of the door opening directly behind point II. Allow the measuring tool to level in and align the vertical laser line in such a manner that its center runs exactly through points I and II.



- The difference d between point III and the center of the laser line at the upper edge of the door opening results in the actual deviation of the measuring tool from the vertical plane.
- Measure the height of the door opening.

The maximum permitted deviation d_{max} is calculated as follows:

$d_{max} = \text{double height of the door opening} \times 0.0118 \text{ in (} 0.3 \text{ mm/m)}$

Example: With a door opening height of 7 ft (2 m), the maximum permitted deviation is

$d_{max} = 2 \times 7 \text{ ft} \times 0.0118 \text{ in} = 0.0472 \text{ in (} 2 \times 2 \text{ m} \times 0.3 \text{ mm/m} = 1.2 \text{ mm)}$.

Thus, the marks must not be more than 0.0472 in (1.2 mm) apart.

Working Advice

- For marking, always use only the center of the laser line. The width of the laser line changes with distance.

Working with the Tripod (Accessory)

A tripod offers a stable, height-adjustable measuring support. Position the measuring tool with the 1/4" tripod mount **10** onto the thread of the tripod or a commercially available camera tripod. For fastening to a commercially available construction tripod, use the 5/8" tripod mount **11**. Tighten the measuring tool with the tripod mounting stud.

- Adjust the tripod before switching on the measuring tool.

Fastening with the Positioning Device (Accessory) (see figure H)

With the positioning devices **16, 17, 21**, you can fasten the measuring tool, e.g., to vertical surfaces, pipes or magnetizable materials. The positioning device is also suitable for use as a ground tripod and makes the height adjustment of the measuring tool easier.

- Adjust the positioning device **16, 17, 21** before switching on the measuring tool.

Working with the Laser Target Plate (see figure H)

The laser target plate **24** increases the visibility of the laser beam under unfavorable conditions and at large distances.

The reflective part of the laser target plate (located in the center of the plate) improves the visibility of the laser line. Thanks to the transparent strip, the laser line is also visible from the back side of the laser target plate.

Laser Viewing Glasses (Accessory)

The laser viewing glasses filter out the ambient light. This makes the red light of the laser appear brighter to the eyes.

Work Examples (see figures B2–F2, H and I)

Application examples for the measuring tool can be found on the graphics pages.

Always position the measuring tool close to the surface or edge you want to check, and allow it to level in prior to each measurement.

Always measure the distances between the laser beam and a surface or edge at two points as far as possible away from each other.

Maintenance and Service

⚠ WARNING Store and transport the tool only in the supplied protective case.

Keep the tool clean at all times.

Do not immerse the tool into water or other fluids.

Wipe off debris using a moist and soft cloth. Do not use any cleaning agents or solvents.

Regularly clean the surfaces of the laser beam outlets in particular, and pay attention to any fluff of fibers.

If the tool should fail despite the care taken in manufacturing and testing procedures, repair should be carried out by an authorized after-sales service center for Bosch power tools.

In all correspondence and spare parts orders, please always include the 10-digit article number given on the type plate of the tool.

ENVIRONMENT PROTECTION



Recycle raw materials & batteries instead of disposing of waste. The unit, accessories, packaging & used batteries should be sorted for environmentally friendly recycling in accordance with the latest regulations.

LIMITED WARRANTY OF BOSCH LASER AND MEASURING TOOL PRODUCTS

Robert Bosch Tool Corporation (“Seller”) warrants to the original purchaser only, that all Bosch lasers and measuring tools will be free from defects in material or workmanship for a period of one (1) year from date of purchase. Bosch will extend warranty coverage to two (2) years when you register your product within eight (8) weeks after date of purchase. Product registration card must be complete and mailed to Bosch (postmarked within eight weeks after date of purchase), or you may register on-line at www.boschtools.com/Service/ProductRegistration. If you choose not to register your product, a one (1) year limited warranty will apply to your product.

30 Day Money Back Refund or Replacement -

If you are not completely satisfied with the performance of your laser and measuring tools, for any reason, you can return it to your Bosch dealer within 30 days of the date of purchase for a full refund or replacement. To obtain this 30-Day Refund or Replacement, your return must be accompanied by the original receipt for purchase of the laser or optical instrument product. A maximum of 2 returns per customer will be permitted.

SELLER’S SOLE OBLIGATION AND YOUR EXCLUSIVE REMEDY under this Limited Warranty and, to the extent permitted by law, any warranty or condition implied by law, shall be the repair or replacement of parts, without charge, which are defective in material or workmanship and which have not been misused, carelessly handled, or misrepaired by persons other than Seller or Authorized Service Center. To make a claim under this Limited Warranty, you must return the complete Bosch laser or measuring tool, transportation prepaid, to any BOSCH Factory Service Center or Authorized Service Center. Please include a dated proof of purchase with your tool. For locations of nearby service centers, please use our on-line service locator or call 1-877-267-2499.

THIS WARRANTY PROGRAM DOES NOT APPLY TO TRIPODS AND RODS. Robert Bosch Tool Corporation (“Seller”) warrants tripods and leveling rods for a period of one (1) year from date of purchase.

THIS LIMITED WARRANTY DOES NOT APPLY TO OTHER ACCESSORY ITEMS AND RELATED ITEMS. THESE ITEMS RECEIVE A 90 DAY LIMITED WARRANTY.

To make a claim under this Limited Warranty, you must return the complete product, transportation prepaid. For details to make a claim under this Limited Warranty please visit www.boschtools.com or call 1-877-267-2499.

ANY IMPLIED WARRANTIES SHALL BE LIMITED IN DURATION TO ONE YEAR FROM DATE OF PURCHASE. SOME STATES IN THE U.S., AND SOME CANADIAN PROVINCES DO NOT ALLOW LIMITATIONS ON HOW LONG AN IMPLIED WARRANTY LASTS, SO THE ABOVE LIMITATION MAY NOT APPLY TO YOU.





IN NO EVENT SHALL SELLER BE LIABLE FOR ANY INCIDENTAL OR CONSEQUENTIAL DAMAGES (INCLUDING BUT NOT LIMITED TO LIABILITY FOR LOSS OF PROFITS) ARISING FROM THE SALE OR USE OF THIS PRODUCT. SOME STATES IN THE U.S., AND SOME CANADIAN PROVINCES DO NOT ALLOW THE EXCLUSION OR LIMITATION OF INCIDENTAL OR CONSEQUENTIAL DAMAGES, SO THE ABOVE LIMITATION MAY NOT APPLY TO YOU.

THIS LIMITED WARRANTY GIVES YOU SPECIFIC LEGAL RIGHTS, AND YOU MAY ALSO HAVE OTHER RIGHTS WHICH VARY FROM STATE TO STATE IN THE U.S., OR PROVINCE TO PROVINCE IN CANADA AND FROM COUNTRY TO COUNTRY.

THIS LIMITED WARRANTY APPLIES ONLY TO PRODUCTS SOLD WITHIN THE UNITED STATES OF AMERICA, CANADA AND THE COMMONWEALTH OF PUERTO RICO. FOR WARRANTY COVERAGE WITHIN OTHER COUNTRIES, CONTACT YOUR LOCAL BOSCH DEALER OR IMPORTER.

Symboles relatifs à la sécurité

Les définitions ci-dessous décrivent le niveau de gravité pour chaque terme signalant un danger. Veuillez lire le mode d'emploi et lire la signification de ces symboles.

	<p>C'est le symbole d'alerte relatif à la sécurité. Il est utilisé pour vous avertir de l'existence possible d'un danger de lésion corporelle. Obéissez à tous les messages relatifs à la sécurité qui suivent ce symbole pour éviter tout risque de blessure ou même de mort.</p>
	<p>DANGER indique une situation dangereuse qui, si elle n'est pas évitée, causera la mort d'une personne ou une blessure grave.</p>
	<p>AVERTISSEMENT indique une situation dangereuse qui, si elle n'est pas évitée, causera la mort d'une personne ou une blessure grave.</p>
	<p>MISE EN GARDE, conjointement avec le symbole d'alerte en liaison avec la sécurité, indique une situation dangereuse qui, si elle n'est pas évitée, causera une blessure légère ou modérée.</p>

Consignes générales de sécurité

⚠️ AVERTISSEMENT

Lisez toutes les instructions. Le non-respect de toutes les instructions figurant ci-dessous risquerait de causer une exposition dangereuse aux rayonnements, un choc électrique, un incendie et/ou des blessures graves.

CONSERVEZ TOUS LES AVERTISSEMENTS ET TOUTES LES CONSIGNES DE SÉCURITÉ POUR RÉFÉRENCE FUTURE.

Dans les avertissements, le terme « outil électroportatif » se rapporte à votre outil branché sur le secteur (avec fil) ou à votre outil alimenté par piles (sans fil).

Les étiquettes suivantes sont apposées sur votre instrument laser pour votre commodité et votre sécurité. Elles indiquent où la lumière laser est émise par l'instrument. IL FAUT TOUJOURS CONNAÎTRE sa position lors de l'utilisation de l'instrument. Utilisez l'outil correct pour votre application.



Ne dirigez pas le faisceau laser en direction de personnes ou d'animaux, et ne regardez pas directement le faisceau laser vous-même. Cet instrument produit des rayonnements laser de classe

2 et est conforme aux normes 21 CFR 1040.10 et 1040.11, à l'exception des déviations en vertu de l'Avis relatif au laser N° 50 daté du 24 juin 2007. Ceci risquerait de causer l'aveuglement des personnes affectées.

Si le rayon laser frappe vos yeux, vous devez les fermer délibérément et tourner immédiatement la tête pour cesser d'exposer votre visage au faisceau.

N'apportez pas de modifications à l'équipement laser.

N'utilisez pas les lunettes pour laser afin de remplacer des lunettes de sécurité. Les lunettes pour laser sont utilisées pour améliorer le visionnement du faisceau laser, mais elles ne protègent pas contre les rayonnements laser.

N'utilisez pas les lunettes pour laser afin de remplacer des lunettes de soleil et ne les portez pas pour conduire. Les lunettes pour laser ne protègent pas complètement contre les rayons UV, et elles réduisent la perception des couleurs.

N'UTILISEZ PAS d'instruments optiques tels, que, entre autres, des télescopes ou des lunettes d'astronome pour regarder le faisceau laser. Ceci risquerait de causer des blessures graves aux yeux.

Ne faites réparer l'instrument de mesure que par des spécialistes compétents utilisant des pièces de rechange d'origine. Ceci assure le maintien de la sécurité de l'instrument de mesure.

Ne laissez pas les enfants utiliser l'instrument de mesure laser sans supervision. Ils risqueraient d'aveugler accidentellement d'autres personnes, ou eux-mêmes.

Ne vous servez pas de l'instrument de mesure dans des environnements explosifs, comme en présence de liquides, de gaz ou de poussières inflammables. Des étincelles pouvant être créées dans l'instrument de mesure pour mettre le feu aux poussières ou fumées explosives.

Gardez l'instrument de mesure, le marqueur de centrage du laser 21, et le support de montage rotatif magnétique 13 à

distance des personnes ayant un stimulateur cardiaque. Les aimants contenus dans l'instrument de mesure et le support de montage rotatif produisent un champ qui peut affecter négativement le fonctionnement des stimulateurs cardiaques.

Gardez l'instrument de mesure, le marqueur de centrage du laser 21, et le support de montage rotatif magnétique 13 à distance des supports de données magnétiques et des équipements sensibles aux forces magnétiques. L'effet des aimants contenus dans l'instrument de mesure et le support de montage rotatif pourrait causer des pertes de données irréversibles.

Sécurité sur le lieu de travail

Maintenez votre lieu de travail propre et bien éclairé. Les lieux de travail encombrés ou sombres invitent les accidents.

N'UTILISEZ PAS l'instrument laser à proximité d'enfants, et ne laissez pas des enfants se servir de l'instrument laser. Cela risquerait de produire des blessures graves aux yeux.

Sécurité électrique

Les piles risquent d'exploser ou de fuir, et de causer des blessures ou un incendie. Afin de réduire ce risque, suivez toujours toutes les instructions et tous les avertissements figurant sur l'étiquette des piles et sur l'emballage.

NE COURT-CIRCUITEZ PAS de bornes des piles.

NE RECHARGEZ PAS des piles alcalines.

NE MÉLANGEZ PAS des piles neuves et des piles usagées.

Remplacez toutes les piles en même temps par des piles neuves de la même marque et du même type.

NE MÉLANGEZ PAS des piles ayant des compositions chimiques différentes. Jetez ou recyclez les piles

conformément aux règlements du code local.

NE JETEZ PAS des piles dans un feu.

Gardez les piles hors de la portée des enfants.

Retirez les piles si vous ne pensez pas utiliser cet instrument pendant plusieurs mois.

Sécurité personnelle

Restez alerte, surveillez ce que vous êtes en train de faire et faites preuve de bons sens lorsque vous utilisez un quelconque outil. N'utilisez pas un outil pendant que vous êtes fatigué(e) ou sous l'influence de drogues, d'alcool ou de médicaments.

Un moment d'inattention pendant que vous vous servez d'un outil risquerait de causer de graves blessures personnelles ou de produire des résultats de mesures imprécis.

Utilisez des équipements de sécurité. Portez toujours une protection des yeux. Des équipements tels que des masques antipoussières, des chaussures de sécurité antidérapantes, un casque ou une protection des oreilles utilisés pour les conditions appropriées réduiront les blessures corporelles.

Aimants



Gardez l'instrument, les L-Bracket (16), BM 1 (21) le marqueur de centrage du laser (24) , BM 3 (17) et le support de montage rotatif magnétique (19, 20) à distance des stimulateurs cardiaques. Les aimants de l'appareil de mesure et de la platine de mesure laser génèrent un

champ qui peut entraver le fonctionnement des stimulateurs cardiaques.

Gardez l'instrument, les L-Bracket (16), BM 1 (21) le marqueur de centrage du laser (24) , BM 3 (17) et le support de montage

rotatif magnétique (19, 20) à distance des supports de données magnétiques et des appareils réagissant aux sources magnétiques. L'effet des aimants de l'appareil de mesure et de la platine de mesure laser peut entraîner des pertes de données irréversibles.

Utilisation et entretien

Utilisez l'outil correct pour votre application. L'instrument de mesure, de détection et de tracé de topologies correct vous permettra de faire un meilleur travail et avec plus de sécurité à la vitesse pour laquelle il a été conçu.

N'utilisez pas cet instrument si l'interrupteur ne s'allume pas ou ne s'éteint pas. Un instrument qui ne peut pas être contrôlé par son interrupteur est dangereux et doit être réparé.

Rangez l'instrument hors de la portée des enfants lorsque vous ne vous en servez pas, et ne laissez pas de personnes ne connaissant pas bien cet instrument ou n'ayant pas lu ce mode d'emploi mettre l'outil en marche. De tels instruments pourraient être dangereux entre les mains d'utilisateurs n'ayant pas reçu la formation nécessaire à leur utilisation.

Entretenez vos instruments. Assurez-vous que les pièces sont alignées correctement et que les pièces mobiles ne se coincent pas, qu'il n'y a pas de pièces brisées ou d'autres conditions pouvant affecter le fonctionnement. Réparez tout instrument endommagé avant de vous en servir. De nombreux accidents sont causés par des instruments de mesure, de détection et de tracé de topologies mal entretenus.

Utilisez l'outil, les accessoires, etc. conformément à ce mode d'emploi et de la manière prévue pour le type particulier

d'instrument, en tenant compte des conditions du travail à réaliser. L'emploi de cet instrument pour des opérations différentes de celles qui sont indiqués dans le mode d'emploi risquerait de causer une situation dangereuse.

Service après-vente

Faites réparer votre instrument par un réparateur agréé n'utilisant que des pièces de rechange identiques. Ceci assurera le respect des prescriptions de sécurité pour l'instrument.

Préparez un calendrier de maintenance périodique pour l'instrument. Lorsque vous nettoyez un instrument, faites attention de ne pas démonter une partie quelconque de l'instrument étant donné que des fils internes risqueraient d'être déplacés ou pincés, ou qu'ils pourraient être remontés de façon incorrecte. Certains produits de nettoyage tels que de l'essence, du tétrachlorure de carbone, de l'ammoniac, etc. risqueraient d'endommager les composants en plastique.

CONSERVEZ CES INSTRUCTIONS.

Emploi prévu

L'instrument de mesure a été conçu pour déterminer et vérifier les lignes horizontales et verticales.

Légende

La numérotation des différents éléments du produit montrée fait référence à l'illustration de l'instrument sur la page des schémas.

- | | |
|--|---|
| 1 Ouverture de sortie pour le faisceau laser | 14 Fente de fixation |
| 2 Interrupteur Marche/Arrêt | 15 Aimants |
| 3 Voyant d'indication de charge des piles | 16 L-Bracket* |
| 4 Fonctionnement sans indicateur de mise à niveau automatique | 17 Support avec pince de fixation sur l'ossature de support du plafond (BM 3)* |
| 5 Bouton pour le mode de fonctionnement à lignes verticales | 18 Pince de fixation sur l'ossature de support du plafond* |
| 6 Bouton pour le mode de fonctionnement à lignes horizontales | 19 Support de montage rotatif magnétique (RM 1)* |
| 7 Couverture du compartiment des piles | 20 Support de montage rotatif magnétique avec fonctionnalité de réglage précis (RM 2)* |
| 8 Fente de montage | 21 Dispositif de positionnement (BM 1)* |
| 9 Support de montage sur trépied à filet de 1/4 po | 22 Pochette de protection* |
| 10 Support de montage sur trépied à filet de 5/8 po | 23 Étui* |
| 11 Numéro de série | 24 Marqueur d'objectif à laser* |
| 12 Étiquette d'avertissement laser | 25 Trépied compact (BT 150)* |
| 13 Support de montage de l'outil | 26 Système de perche télescopique (BP 350)* |
| | 27 Lunettes pour laser* |

*Les accessoires illustrés ou décrits ne sont pas inclus dans la fourniture standard de l'instrument.

Données techniques

Numéro de modèle	GLL 50 / GLL 55
Numéro de l'article	0601063F1X
Plage de fonctionnement ¹⁾	50 pi (15 m)
Précision de la mise à niveau	±1/8 à 33 pi (3 mm à 10 m)
Plage type de mise à niveau automatique	±4°
Durée type de la mise à niveau	< 4 s
Température de fonctionnement	de 14° F à 122° F (de -10° C à +50° C)
Température de stockage	de -4° F à 158° F (de -20° C à +70° C)
Humidité relative de l'air, max	90 %
Classe de laser	2
Type de laser	630-650 nm, <1 mW
C ₆	1
Divergence	0,5mrad (angle plein)
Support de montage sur trépied	1/4 po, 5/8 po
Piles	3 x 1,5 V LR06 (AA)
Durée de fonctionnement dans le mode de fonctionnement	
Fonctionnement en mode à lignes croisées	11 h
Fonctionnement en mode à lignes	19 h
Poids	1,08 lb (0,49 kg)
Dimensions	4,4 x 2,2 x 4,2 po (112 x 55 x 106 mm)
Degré de protection	IP 54 (protégé contre la poussière et les éclaboussures)

Pour permettre une identification précise de votre appareil de mesure, le numéro de série est marqué sur la plaque signalétique.

¹⁾ La portée de mesure de l'instrument peut être réduite par des conditions environnementales défavorables (p. ex., rayonnement solaire direct).

Préparation

Insertion/remplacement des piles

Des piles alcalines au manganèse sont recommandées pour l'instrument de mesure.

– Repliez le couvercle du compartiment des piles **7** afin de l'ouvrir, et insérez les piles. Lors de leur insertion, tenez compte de la polarité correcte en vous aidant de la représentation sur l'intérieur du compartiment des piles.

Si les piles faiblissent, le voyant indiquant la capacité restante des piles **3** clignotera en vert. Les lignes laser clignoteront également toutes les 10 minutes pendant environ 5 secondes. L'instrument de mesure pourra continuer à fonctionner pendant environ une heure après les premiers clignotements. Si les piles sont complètement déchargées, les lignes laser clignoteront à nouveau juste avant que l'instrument de mesure s'éteigne automatiquement.

Remplacez toujours toutes les piles en même temps. N'utilisez que des piles de la même marque et ayant une capacité identique.

- Retirez les piles de l'instrument de mesure lorsque vous ne l'utilisez pas pendant des périodes prolongées. Lorsque des piles placées dans l'instrument ne sont pas utilisées pendant des périodes prolongées, elles risquent de se corroder et de se décharger.

Travail avec le BM 3 (voir Figures A et G)

Le L-Bracket **16** du support BM 3 **17** permet de positionner facilement et correctement la ligne ou les lignes laser.

Il s'attache aux surfaces du lieu de travail comme suit :

- Pour une cloison sèche ou un mur en bois, en utilisant des vis N° 8.
- Pour reposer sur le sol, en utilisant les pieds rétractables.
- Aux montants en acier en utilisant les aimants à l'arrière
- Pour des rails de support de plafond suspendu, en utilisant la fonctionnalité d'attachement amovible.

Il peut aussi être utilisé comme mini-trépied.

- Pour attacher l'outil laser, vissez le support de montage de 1/4 po-20 **13** dans l'outil et serrez. Tournez le bouton et l'outil ensemble suivant les besoins pour positionner correctement la ligne ou les lignes laser.
- Pour ajuster la hauteur des lignes laser, ajustez la hauteur au moyen du bouton de réglage sur la pince de fixation à l'ossature de support du plafond **18** du support BM 3 **17**.

Conseil : Il est recommandé de nettoyer l'arrière du L-Bracket 16 avant de procéder au montage avec les aimants afin de vous assurer que l'adhérence de l'outil sur la surface de montage grâce aux aimants est aussi bonne que possible. Le nettoyage de l'arrière du support réduira l'interférence pouvant être causée par la présence de poussière ou de débris entre les aimants **15**, le L-Bracket **16** et la surface de montage sur le lieu de travail.

Consignes d'utilisation

Utilisation initiale

⚠ AVERTISSEMENT Protégez l'instrument de mesure contre l'humidité et l'exposition à la lumière directe du soleil.

N'exposez pas l'instrument de mesure à des températures extrêmes ou à des variations importantes de la température.

À titre d'exemple, ne le laissez pas dans un véhicule pendant une longue période. En cas de variations importantes de la température, attendez que l'instrument de mesure s'ajuste à la température ambiante avant de commencer à vous en servir. En cas de températures extrêmes ou de variations importantes de la température, l'exactitude de l'instrument de mesure pourrait être affectée.

Évitez les grands chocs et ne laissez pas tomber l'instrument de mesure. Tout endommagement de l'instrument de mesure pourrait affecter son exactitude. En cas de choc ou d'impact majeur, comparez les lignes laser à une ligne de référence horizontale ou verticale connue.

Eteignez l'appareil de mesure quand vous le transportez.

Appuyez sur l'interrupteur Marche/Arrêt (On/Off) **2** pour le mettre dans la position d'arrêt (« Off ») lors du transport de l'outil de mesure. Ceci verrouille le dispositif de nivellement, qui risquerait sans cela d'être endommagé en cas de mouvement intense.

Mise sous tension et hors tension

Pour faire des économies d'énergie, ne mettez l'instrument de mesure sous tension que lorsque vous avez besoin de l'utiliser.

⚠ AVERTISSEMENT Ne laissez pas un instrument de mesure sous tension sans surveillance, et mettez-le hors tension dès que vous avez fini de l'utiliser. D'autres personnes risqueraient d'être aveuglées par le faisceau laser.

– Pour **mettre sous tension** l'instrument de mesure, faites glisser l'interrupteur Marche/Arrêt **2** dans la position « **On** » (pour travailler sans mise à niveau automatique) ou dans la position « **On** » (pour travailler sans mise à niveau automatique).

Dès qu'il est mis sous tension, l'instrument de mesure émet des lignes laser depuis les ouvertures de sortie **1**.

⚠ AVERTISSEMENT N'orientez pas le faisceau laser vers des personnes ou vers des animaux et ne regardez par le faisceau laser vous-même, même de très loin.

– Pour **mettre hors tension** l'instrument de mesure, faites glisser l'interrupteur Marche/Arrêt **2** dans la position d'arrêt « **Off** ».

Le pendule est verrouillé quand l'instrument est mis hors tension.

Lorsque la température de fonctionnement maximum permise de 122° F (+50° C) est atteinte, l'instrument de mesure se met automatiquement hors tension pour protéger la diode laser. Après avoir refroidi, l'instrument de mesure est prêt à fonctionner à nouveau et peut être remis sous tension.

Fermeture automatique

Quand aucun bouton de l'instrument de mesure n'est enfoncé pendant environ deux heures, l'instrument de mesure se met automatiquement hors tension pour économiser la capacité de charge des piles.

– Pour remettre l'instrument de mesure en marche après une fermeture automatique, vous pouvez soit faire glisser d'abord l'interrupteur Marche/Arrêt **2** dans la position d'arrêt « **Off** » et remettre en suite l'instrument de mesure sous tension, soit appuyer sur le bouton **5** ou le bouton **6**.

Désactivation de la fermeture automatique :

– Pour désactiver la fermeture automatique, appuyez sur le bouton **6** et maintenez-le enfoncé pendant au moins trois secondes lorsque l'instrument de mesure est sous tension. Lorsque la fonction de fermeture automatique est désactivée, les lignes laser clignotent brièvement pour confirmer la désactivation.

Remarque : Lorsque la température de fonctionnement dépasse 113° F (+45° C), la fonction de fermeture automatique ne peut plus être désactivée.

Activation de la fermeture automatique :

– Pour activer la fermeture automatique, mettez l'instrument de mesure hors tension, puis à nouveau sous tension.

Réglage du mode de fonctionnement (voir Figures B1-F1)

L'instrument de mesure comporte plusieurs modes de fonctionnement que vous pouvez sélectionner à tout moment :

– Fonctionnement avec lignes transversales : l'outil de mesure produit une ligne laser horizontale et une ligne laser verticale dirigées vers l'avant.

Les lignes laser se croisent à un angle de 90°.

– Fonctionnement en mode à ligne horizontale : l'instrument de mesure produit une ligne laser horizontale orientée vers l'avant.

– Fonctionnement en mode à ligne verticale : l'instrument de

mesure produit une ligne laser verticale orientée vers l'avant. Lorsque l'outil de mesure est positionné dans la salle, la ligne laser verticale est projetée sur le plafond au-delà du point laser le plus élevé.

Lorsque l'outil de mesure est positionné directement contre un mur, la ligne laser verticale produit une ligne laser presque complètement circulaire (ligne 360°).

Tous les modes peuvent être sélectionnés à la fois avec et sans nivellement automatique.

Travail avec la mise à niveau automatique

Séquence des actions	Fonctionnement en mode à ligne horizontale	Fonctionnement en mode à ligne verticale	Voyant 3 d'indication de la charge des piles	Voyant 4 pour le travail sans mise à niveau automatique	Figure
Interrupteur de Marche/Arrêt 2 dans la position « On »	●	●	vert		B2
Appuyez une fois sur le bouton pour le mode de fonctionnement à lignes horizontales 6	●	—	vert		C2, H
Appuyez une fois sur le bouton pour le mode de fonctionnement à lignes verticales 5	—	●	vert		I, D2
Mode Appuyez une fois sur le bouton pour le mode de fonctionnement à lignes verticales 5 , puis appuyez une fois sur le bouton pour le mode de fonctionnement à lignes horizontales 6	●	●	vert		F1, F2

Si l'instrument de mesure est situé à l'extérieur de la plage de mise à niveau automatique, les lignes laser clignoteront rapidement.

Si, pendant le travail avec la mise à niveau automatique, vous passez au mode de « travail sans la mise à niveau automatique » (l'interrupteur de Marche/Arrêt **2** étant dans la position « **On** »), la première combinaison de lignes de ce mode est toujours activée.

Travail sans la mise à niveau automatique

Les lignes laser clignotent lentement dans le mode de « travail sans la mise à niveau automatique ».

Si, pendant le travail sans la mise à niveau automatique, vous passez au mode de « travail avec la mise à niveau automatique » (l'interrupteur de Marche/Arrêt **2** étant dans la position « **On** »), la première combinaison d'indicateurs de ce mode est toujours activée.

Mise à niveau automatique

Travail avec la mise à niveau automatique (voir Figures B1-E1)

– Positionnez l'instrument de mesure sur un support ferme et horizontal, ou attachez-le au support de montage rotatif **19** et **20**.

– Pour le travail avec la mise à niveau automatique, faites glisser l'interrupteur de Marche/Arrêt **2** dans la position « **On** ».

Après avoir mis l'instrument sous tension, la fonction de mise à niveau compense automatiquement les irrégularités à l'intérieur de la plage de mise à niveau automatique de $\pm 4^\circ$. L'instrument de mesure est mis à niveau dès que les lignes laser cessent de clignoter.

Le faisceau laser clignotera si la mise à niveau automatique n'est pas possible. Ce problème peut être causé par le placement de l'instrument de mesure sur une surface déviant de plus de 4° de l'horizontale. Dans ce cas, mettez l'instrument de mesure à l'horizontale et attendez que la mise à niveau automatique se produise.

En cas de vibrations du sol ou de changements de position pendant le fonctionnement, l'instrument de mesure est mis à nouveau à niveau automatiquement. Pour ne pas risquer de faire des erreurs en déplaçant l'instrument de mesure, vérifiez la position des faisceaux laser par rapport aux points de référence après l'avoir remis à niveau.

Travail sans la mise à niveau automatique (voir Figure F1)

– Pour le travail sans la mise à niveau automatique, faites glisser l'interrupteur de Marche/Arrêt **2** dans la position « **Off** ». Lorsque la mise à niveau automatique est désactivée, les lignes laser clignotent continuellement.

Lorsque la mise à niveau automatique est désactivée, vous pouvez tenir librement l'instrument de mesure dans votre main ou le placer sur une surface inclinée. Les faisceaux laser ne sont plus nécessairement perpendiculaire l'un par rapport à l'autre.

Exactitude de la mise à niveau

Influences sur l'exactitude

C'est la température ambiante qui a le plus d'influence. Les différences de température intervenant en montant depuis le sol, en particulier, peuvent causer une déviation du faisceau laser.

En plus des influences externes, certaines influences spécifiques provenant, par exemple, d'une chute ou d'un choc peuvent également entraîner des déviations. Pour cette raison, vérifiez l'exactitude de la mise à niveau à chaque fois avant de commencer à travailler avec cet instrument.

En premier lieu, vérifiez à la fois la hauteur et l'exactitude de la mise à niveau de la ligne laser horizontale, puis l'exactitude de la mise à niveau de la ligne laser verticale.

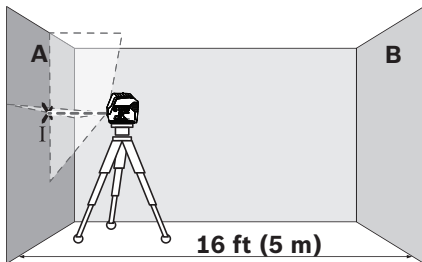
Si l'instrument de mesure dépasse la déviation maximum pendant l'un des tests, veuillez le faire réparer dans un centre de service après-vente Bosch.

Vérification de l'exactitude de la hauteur de la ligne horizontale

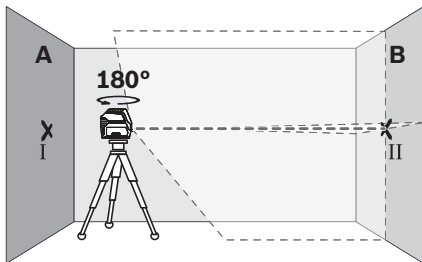
Pour cette vérification, une distance de mesure libre de 16 pi (5 m) sur une surface ferme entre deux murs A et B est nécessaire.

– Montez l'instrument de mesure sur un trépied ou placez-le sur une surface horizontale ferme près du mur A. Mettez l'instrument de mesure sous tension. Sélectionnez le mode de fonctionnement à lignes croisées avec la mise à niveau automatique.

- Dirigez le laser contre le mur proche A et laissez l'instrument de mesure se mettre à niveau. Marquez le centre du point où les lignes laser se croisent sur le mur (point I).

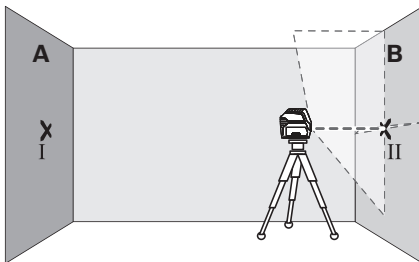


- Faites tourner l'instrument de mesure de 180°. Laissez-le se mettre à niveau et marquez le point d'intersection des lignes laser sur le mur opposé B (point II).

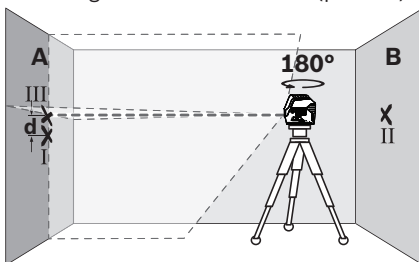


- Sans tourner l'instrument de mesure, positionnez-le près du mur B. Mettez cet instrument sous tension et laissez-le se mettre à niveau.

– Aligned la hauteur de l'instrument de mesure (en utilisant un trépied ou une couche de support supplémentaire, si nécessaire) de telle manière que le point de croisement des lignes laser soit projeté contre le point II ayant été marqué précédemment sur le mur B.



– Sans changer la hauteur, faites tourner l'instrument de mesure de 180°. Dirigez-le contre le mur A de telle manière que la ligne laser verticale traverse le point I déjà marqué. Attendez que l'instrument de mesure se mette à niveau et marquez le point d'intersection des lignes laser sur le mur A (point III).



– La différence d entre les deux points marqués I et III sur le mur A indique la déviation de hauteur réelle de l'instrument de mesure.

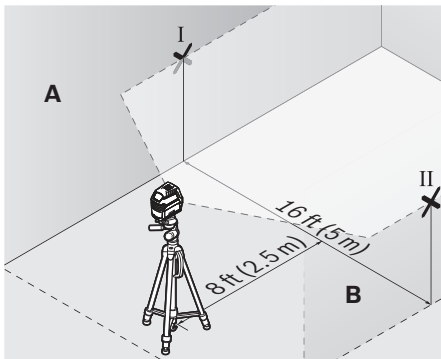
La déviation maximum permise d_{max} peut être calculée de la manière suivante : d_{max} = double de la distance entre les murs $\times 0,0118$ po (0,3 mm). Exemple : si la distance entre les deux murs est de 16 pi (5 m), la déviation maximum est $d_{max} = 2 \times 16 \text{ pi} \times 0,0118 \text{ po} = 0,118 \text{ po}$ ($2 \times 5 \text{ m} \times 0,3 \text{ mm/m} = 3 \text{ mm}$). Les marques doivent donc être séparées de 0,118 po (3 mm) au maximum.

Vérification de l'exactitude de la mise à niveau de la ligne horizontale

Une aire ouverte d'environ 16 x 16 pi (5 m) est nécessaire pour pouvoir faire la vérification.

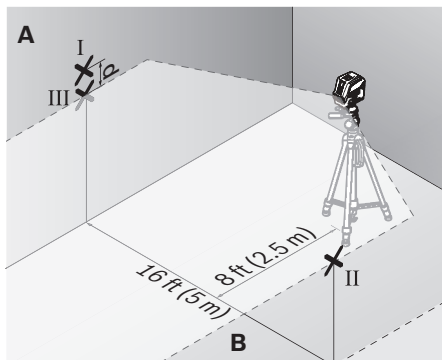
– Installez l'instrument de mesure sur une surface horizontale ferme entre les deux murs A et B. Laissez l'instrument de mesure se mettre à niveau pendant que vous êtes dans le mode de fonctionnement horizontal.

– À une distance de 8 pi (2,5 m) de l'instrument de mesure, marquez le centre de la ligne laser (point I sur le mur A et point II sur le mur B) sur les deux murs.



- Installez l'instrument de mesure à 16 pi (5 m) en le faisant tourner de 180°, et attendez qu'il se mette à niveau.
- Aligned la hauteur de l'instrument de mesure (en utilisant un trépied ou une couche de support supplémentaire, si nécessaire) de telle manière que le centre de la ligne laser soit projeté exactement contre le point II ayant été marqué précédemment sur le mur B.

- Marquez le centre de la ligne laser comme point I (verticalement au-dessus ou au-dessous du point I) sur le mur A.



- La différence d entre les deux points I et III marqués sur le mur A indique la déviation réelle de l'instrument de mesure par rapport au plan horizontal.

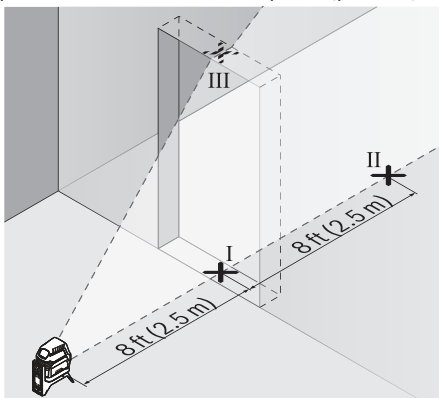
La déviation maximum permise d_{max} peut être calculée de la façon suivante : $d_{max} = \text{double de la distance entre les murs} \times 0,0118 \text{ po}$ (0,3 mm). Exemple : si la distance entre les deux murs est de 16 pi (5 m), la déviation maximum est $d_{max} = 2 \times 16 \text{ pi} \times 0,0118 \text{ po} = 0,118 \text{ po}$ ($2 \times 5 \text{ m} \times 0,3 \text{ mm/m} = 3 \text{ mm}$). Les marques doivent donc être séparées de 0,118 po (3 mm) au maximum.

Vérification de l'exactitude de la mise à niveau de la ligne verticale

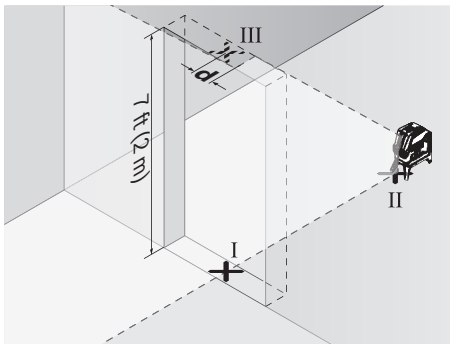
Pour pouvoir faire cette vérification, une ouverture de porte est requise avec au moins 8 pi (2,5 m) d'espace (sur une surface ferme) de chaque côté de la porte.

– Positionnez l'instrument de mesure sur une surface horizontale ferme (pas sur un trépied) à 8 pi (2,5 m) de distance de l'ouverture de la porte. Attendez que l'instrument de mesure se mette à niveau pendant que vous êtes dans le mode de fonctionnement à lignes croisées, et dirigez les faisceaux laser sur l'ouverture de la porte.

– Marquez le centre de la ligne laser verticale sur le sol de l'ouverture de la porte (point I), à une distance de 16 pi (5 m) au-delà de l'autre côté de l'ouverture de la porte (point II) et sur le côté supérieur de l'ouverture de la porte (point III).



– Positionnez l'instrument de mesure de l'autre côté de l'ouverture de la porte, directement derrière le point II. Attendez que l'instrument de mesure se mette à niveau et alignez la ligne laser verticale de telle manière que son centre traverse exactement les points I et II.



– La différence d entre le point III et le centre de la ligne laser sur le bord supérieur de l'ouverture de la porte produit la déviation réelle de l'instrument de mesure par rapport au plan vertical.

– Mesurez la hauteur de l'ouverture de la porte.

La déviation maximum autorisée est calculée de la manière suivante : $d_{max} = \text{double de la hauteur de l'ouverture de la porte} \times 0,0118 \text{ po}$ (0,3 mm/m)

Exemple : avec une hauteur d'ouverture de porte de 7 pi (2 m), la déviation maximum permise est la suivante : $d_{max} = 2 \times 7 \text{ pi} \times 0,0118 \text{ po} = 0,0472 \text{ po}$ ($2 \times 2 \text{ m} \times 0,3 \text{ mm/m} = 1,2 \text{ mm}$).

Ainsi, les marques ne doivent pas être à plus de 0,0472 po (1,2 mm) l'une de l'autre.

Conseils pour l'utilisation

- Pour le marquage, utilisez toujours exclusivement le centre de la ligne laser. La largeur de la ligne laser change en fonction de la distance.

Travail avec le trépied (accessoire)

Un trépied constitue un support de mesure stable et de hauteur réglable. Positionnez l'instrument de mesure avec le support de montage sur trépied de 1/4 po **10** sur le filet du trépied ou sur un trépied pour caméra disponible dans le commerce. Pour attacher l'instrument de mesure à un trépied de construction disponible dans le commerce, utilisez le support de montage sur trépied de 5/8 po **11**. Serrez l'instrument de mesure avec le goujon de montage de trépied.

- Ajustez le trépied avant de mettre l'instrument de mesure sous tension.

Fixation avec le dispositif de positionnement (accessoire) (voir Figure H)

Le dispositif de positionnement **16, 17, 21** vous permet d'attacher l'instrument de mesure, entre autres, à des surfaces verticales, des tuyaux ou des matériaux magnétisables. Le dispositif de support universel peut également être utilisé comme trépied de sol, et il facilite le réglage de la hauteur de l'instrument de mesure.

- Ajustez le dispositif de positionnement **16, 17, 21** avant de mettre l'instrument de mesure sous tension.

Travail avec le marqueur de centrage du laser (voir Figure H)

Le marqueur de centrage du laser **24** augmente la visibilité du faisceau laser dans des conditions défavorables et lorsque la distance est grande.

La partie réfléchissante du marqueur de centrage du laser **25** améliore la visibilité de la ligne laser. Grâce à la bande transparente, la ligne laser est également visible depuis le côté arrière du marqueur de centrage du laser.

Lunettes pour laser (accessoire)

Les lunettes pour laser filtrent la lumière ambiante. Ceci a pour effet de rendre la lumière rouge du laser plus brillante pour les yeux.

Exemples de tâches (voir Figures B2-F2, H et I)

Vous trouverez des exemples d'applications de l'instrument de mesure sur les pages de schémas.

Positionnez toujours l'instrument de mesure près de la surface ou du bord que vous voulez mesurer, et attendez qu'il se mette à niveau pour commencer chaque mesure.

Mesurez toujours les distances entre le faisceau laser et une surface ou un bord à deux points situés aussi loin que possible l'un de l'autre.

Maintenance et service

⚠ AVERTISSEMENT Ne transporter et ranger l'appareil de mesure que dans son étui de protection fourni avec l'appareil.

Maintenir l'appareil de mesure propre.

Ne jamais plonger l'appareil de mesure dans l'eau ou dans d'autres liquides.

Nettoyer l'appareil à l'aide d'un chiffon doux et humide. Ne pas utiliser de détergents ou de solvants.

Nettoyer régulièrement en particulier les surfaces se trouvant près de l'ouverture de sortie du laser en veillant à éliminer les poussières. Si, malgré tous les soins apportés à la fabrication et au contrôle de l'appareil de mesure, celui-ci devait avoir un défaut, la réparation ne doit être confiée qu'à une station de service après-vente agréée pour outillage Bosch.

Pour toute demande de renseignement ou commande de pièces de rechange, nous préciser impérativement le numéro d'article à dix chiffres de l'appareil de mesure indiqué sur la plaque signalétique.

PROTECTION DE L'ENVIRONNEMENT



Recyclez les matières premières et les piles au lieu de les mettre au rebut. L'instrument, ses accessoires, son conditionnement et les piles usées doivent être triés en vue d'un recyclage écologique conforme aux lois les plus récentes.

GARANTIE LIMITÉE DES PRODUITS LASER ET AUTRES INSTRUMENTS DE MESURE BOSCH

Robert Bosch Tool Corporation (« Vendeur ») garantit, exclusivement à l'acheteur initial, que tous les outils laser et de mesure de Bosch ne comporteront aucun défaut de matériau ou de fabrication pendant une période d'un (1) an à compter de la date de l'achat. Bosch fournira une couverture de garantie portée à deux (2) ans si vous enregistrez votre produit dans les huit (8) semaines suivant la date de l'achat. La carte d'enregistrement du produit doit être complète et envoyée à Bosch (avec un cachet de la poste indiquant une date de moins de huit semaines après la date de l'achat), ou vous pouvez vous inscrire en ligne à www.boschtools.com/Service/ProductRegistration. Si vous décidez de ne pas faire enregistrer votre produit, une garantie limitée d'un (1) an s'appliquera à votre produit

Remboursement ou remplacement du produit jusqu'à 30 jours -

Si vous n'êtes pas complètement satisfait(e) par la performance de vos outils laser et de mesure pour quelque raison que ce soit, vous pouvez les rapporter à votre détaillant Bosch dans les 30 jours suivant la date de l'achat pour obtenir un remboursement intégral ou un remplacement. Pour obtenir ce remboursement du prix ou ce remplacement du produit jusqu'à 30 jours après l'achat, votre retour doit être accompagné par l'original du reçu correspondant à l'achat du produit laser ou de l'instrument optique. Un maximum de deux retours par client sera autorisé

LA SEULE OBLIGATION DU VENDEUR ET VOTRE SEUL REMÈDE en vertu de cette Garantie limitée et, dans la mesure où la loi le permet, de toute autre garantie ou condition légalement implicite, seront la réparation ou le remplacement à titre gratuit des pièces qui seront jugées défectueuses pour cause de vice de matériau ou de fabrication et qui n'auront pas été utilisées de façon abusive, manipulées sans précautions ou réparées incorrectement par des personnes autres que le Vendeur ou un Centre de service après-vente agréé. Pour vous prévaloir de la présente Garantie limitée, vous devez retourner la totalité de l'outil laser ou de l'outil

de mesure Bosch, en port payé, à un Centre de service après-vente usine ou à un centre de service après-vente agréé de BOSCH. Veuillez inclure un justificatif d'achat dûment daté avec votre outil. Pour trouver les adresses des centres de service après-vente, veuillez utiliser notre guide en ligne service locator. ou téléphoner au 1-877-267-2499.

CE PROGRAMME DE GARANTIE NE S'APPLIQUE PAS AUX TRÉPIEDS OU AUX MIRES DE NIVELLEMENT. Robert Bosch Tool Corporation (« Vendeur ») garantit les trépieds et les mires de nivellement pendant une période d'un (1) an à compter de la date de l'achat.

CETTE GARANTIE LIMITÉE NE S'APPLIQUE PAS À D'AUTRES ACCESSOIRES ET ARTICLES COMPLÉMENTAIRES. CES DERNIERS BÉNÉFICIENT D'UNE GARANTIE LIMITÉE DE 90 JOURS.

Pour vous prévaloir de la présente Garantie limitée, vous devez retourner la totalité du produit en port payé. Pour plus de détails sur le recours à la présente Garantie limitée, veuillez visiter www.boschtools.com ou téléphoner au 1-877-267-2499.

LA DURÉE DE TOUTE GARANTIE IMPLICITE SERA LIMITÉE À UN AN À COMPTER DE LA DATE DE L'ACHAT. COMME CERTAINS ÉTATS AUX ÉTATS-UNIS ET CERTAINES PROVINCES AU CANADA NE PERMETTENT PAS DE LIMITATIONS SUR LA DURÉE D'UNE GARANTIE IMPLICITE, LA LIMITATION CI-DESSUS NE S'APPLIQUE PEUT-ÊTRE PAS À VOUS.





LE VENDEUR NE SERA EN AUCUN CAS RESPONSABLE POUR TOUS DOMMAGES INDIRECTS OU SECONDAIRES (Y COMPRIS, MAIS SANS LIMITATION, LA RESPONSABILITÉ AU TITRE DE LA PERTE DE BÉNÉFICES) RÉSULTANT DE LA VENTE OU DE L'EMPLOI DE CE PRODUIT. COMME CERTAINS ÉTATS AUX ÉTATS-UNIS ET CERTAINES PROVINCES AU CANADA NE PERMETTENT PAS L'EXCLUSION OU LA LIMITATION DE LA RESPONSABILITÉ POUR DOMMAGES INDIRECTS OU SECONDAIRES, LA LIMITATION CI-DESSUS NE S'APPLIQUE PEUT-ÊTRE PAS À VOUS.

CETTE GARANTIE LIMITÉE VOUS CONFÈRE DES GARANTIES JURIDIQUES PARTICULIÈRES, ET VOUS POUVEZ AUSSI AVOIR D'AUTRES DROITS, QUI VARIENT D'UN ÉTAT À L'AUTRE AUX ÉTATS-UNIS, D'UNE PROVINCE À L'AUTRE AU CANADA OU D'UN PAYS À L'AUTRE.

CETTE GARANTIE LIMITÉE NE S'APPLIQUE QU'AUX PRODUITS VENDUS AUX ÉTATS-UNIS D'AMÉRIQUE, AU CANADA ET À PORTO RICO. CONTACTEZ VOTRE DISTRIBUTEUR OU IMPORTATEUR BOSCH POUR OBTENIR DES INFORMATIONS SUR LA COUVERTURE DE LA GARANTIE DANS LES AUTRES PAYS.

Símbolos de seguridad

Las definiciones que aparecen a continuación describen el nivel de gravedad de cada palabra de señal de seguridad. Por favor, lea el manual y preste atención a estos símbolos.

	<p>Éste es el símbolo de alerta de seguridad. Se utiliza para alertarle a usted de posibles peligros de lesiones corporales. Obedezca todos los mensajes de seguridad que sigan a este símbolo para evitar posibles lesiones o muerte.</p>
	<p>PELIGRO indica una situación peligrosa que, si no se evita, causará la muerte o lesiones graves.</p>
	<p>ADVERTENCIA indica una situación peligrosa que, si no se evita, causará la muerte o lesiones graves.</p>
	<p>PRECAUCIÓN, cuando se utiliza con el símbolo de alerta de seguridad, indica una situación peligrosa que, si no se evita, causará lesiones leves o moderadas.</p>

Normas generales de seguridad

⚠️ ADVERTENCIA

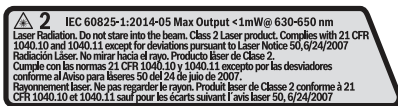
Lea todas las instrucciones. Si no se siguen todas las instrucciones que aparecen a continuación, el resultado podría ser exposición a radiación peligrosa, descargas eléctricas, incendio y/o lesiones graves.

GUARDE TODAS LAS ADVERTENCIAS E INSTRUCCIONES PARA REFERENCIA FUTURA

La expresión “herramienta mecánica” en las advertencias se refiere a su herramienta mecánica alimentada por la red eléctrica (herramienta alámbrica) o su herramienta mecánica alimentada por baterías (herramienta inalámbrica).

Las siguientes etiquetas están colocadas en su herramienta láser para brindarle conveniencia

y seguridad. Indican el lugar donde la luz láser es emitida por el nivel. CONOZCA SIEMPRE su ubicación cuando utilice el nivel.



No dirija el rayo láser hacia personas o animales y no mire al rayo láser usted mismo. Esta herramienta produce radiación láser de clase 2 y cumple con las normas 21 CFR 1040.10 y 1040.11, excepto por las desviaciones conformes al Aviso sobre láser No. 50, de fecha 24 de junio de 2007. Esto puede causar ceguera en las personas.

Si la radiación láser le da en un ojo, usted debe cerrar los ojos deliberadamente y girar de inmediato la cabeza de manera que se aleje del rayo.

No haga ninguna modificación al equipo láser.

No utilice los anteojos de visión láser como anteojos de seguridad. Los anteojos de visión láser se utilizan para mejorar la visualización del rayo láser, pero no protegen contra la radiación láser.

No use los anteojos de visión láser como lentes de sol o en tráfico. Los anteojos de visión láser no ofrecen protección completa contra los rayos UV y reducen la percepción de los colores.

NO use herramientas ópticas, tales como, pero no limitadas a, telescopios o telescopios meridianos, para ver el rayo láser. El resultado podría ser lesiones graves en los ojos.

Haga que la herramienta de medición sea reparada únicamente a través de especialistas calificados, utilizando piezas de repuesto originales. Esto garantiza que se mantenga la seguridad de la herramienta de medición.

No deje que los niños usen la herramienta de medición sin supervisión. Podrían cegar accidentalmente a otras personas o cegarse a sí mismos.

No utilice la herramienta de medición en entornos explosivos, tales como los existentes en presencia de líquidos, gases o polvos inflamables. Se pueden generar chispas en la herramienta de medición, las cuales es posible que incendien el polvo o los vapores.

Mantenga la herramienta de medición, el objetivo para el láser 21 y la montura rotativa magnética 13 alejados de los marcapasos cardíacos. Los imanes que se encuentran dentro de la herramienta de medición y la montura rotativa generan un campo que puede interferir con el funcionamiento de los marcapasos cardíacos.

Mantenga la herramienta de medición, el objetivo para el láser 21 y la montura rotativa magnética 13 alejados de los medios de datos magnéticos y los equipos magnéticamente sensibles. El efecto de los imanes que se encuentran dentro de la herramienta de medición y la montura rotativa puede causar una pérdida de datos irreversible.

Seguridad en el área de trabajo

Mantenga el área de trabajo limpia y bien iluminada. Las áreas desordenadas u oscuras invitan a que se produzcan accidentes.

NO utilice la herramienta láser cerca de niños ni deje que los niños utilicen la herramienta láser. El resultado podría ser lesiones graves en los ojos.

Seguridad eléctrica

Las baterías pueden explotar o tener fugas y causar lesiones o incendios. Para reducir este riesgo, siga siempre todas las instrucciones y advertencias que están en la etiqueta y en el paquete de las baterías.

NO haga cortocircuito en los terminales de las baterías.

NO cargue baterías alcalinas.

NO mezcle baterías viejas y nuevas. Reemplace todas las baterías al mismo tiempo con baterías nuevas de la misma marca y el mismo tipo.

NO mezcle las químicas de las baterías.

Deseche o recicle las baterías de acuerdo con el código local.

NO deseche las baterías en un fuego.

Mantenga las baterías fuera del alcance de los niños.

Retire las baterías si el dispositivo no se va a usar durante varios meses.

Seguridad personal

Manténgase alerta, fíjese en lo que está haciendo y use el sentido común cuando utilice una herramienta. No utilice una herramienta mientras esté cansado o bajo la influencia de drogas, alcohol o medicamentos. Un momento de descuido mientras se utiliza una herramienta puede causar lesiones personales graves o resultados de medición incorrectos.

Use equipo de seguridad. Use siempre protección de los ojos.

El equipo de seguridad, tal como una máscara antipolvo, zapatos de seguridad antideslizantes, casco o protección de la audición, utilizado para las condiciones apropiadas, reducirá las lesiones corporales.

Imanes

Mantenga la herramienta, el soporte en L (16), BM 1 (21) el objetivo para el láser (24), BM 3 (17) y la montura rotativa magnética (19, 20) alejados de los marcapasos cardíacos. Los imanes del aparato de medición y de la tablilla reflectante producen un campo magnético que puede perturbar el funcionamiento de los marcapasos.



Mantenga la herramienta, el soporte en L (16), BM 1 (21) el objetivo para el láser (24), BM 3 (17) y la montura rotativa magnética (19, 20) alejados de los soportes de datos magnéticos y de los aparatos sensibles a los campos magnéticos. Los imanes del aparato de medición y de la tablilla reflectante pueden provocar una pérdida de datos irreversible.

Uso y cuidado

Use la herramienta correcta para la aplicación que vaya a realizar. La herramienta correcta de medición, detección y disposición hará el trabajo mejor y de manera más segura a la capacidad nominal para la que fue diseñada.

No utilice la herramienta si el interruptor no la enciende y apaga.

Cualquier herramienta que no se pueda controlar con el interruptor es

peligrosa y debe ser reparada.

Cuando no esté utilizando la herramienta, almacénela fuera del alcance de los niños y no deje que las personas que no estén familiarizadas con ella o con estas instrucciones utilicen la herramienta. Las herramientas son peligrosas en las manos de los usuarios que no hayan recibido capacitación.

Mantenga las herramientas. Compruebe si hay piezas desalineadas o que se atoren, si hay piezas rotas y si existe cualquier otra situación que pueda afectar al funcionamiento. Si la herramienta está dañada, se debe reparar antes de utilizarla. Muchos accidentes son causados por herramientas de medición, detección y disposición mal mantenidas.

Utilice la herramienta, los accesorios, etc., de acuerdo con estas instrucciones y de la manera prevista para el tipo específico de herramienta, teniendo en cuenta las condiciones de trabajo y el trabajo que se vaya a realizar. El uso de la herramienta para realizar operaciones distintas a las previstas podría causar una situación peligrosa.

Servicio

Haga que su herramienta reciba servicio de ajustes y reparaciones por un técnico de reparaciones calificado, utilizando únicamente piezas de repuesto idénticas. Esto asegurará que se mantenga la seguridad de la herramienta.

Desarrolle un programa de mantenimiento periódico para su herramienta. Cuando limpie una herramienta, tenga cuidado de no desarmar ninguna parte de la herramienta, ya que los cables internos se pueden descolocar o pellizcar, o se pueden montar incorrectamente. Ciertos agentes de limpieza, tales como gasolina, tetracloruro de carbono, amoníaco, etc., pueden dañar las piezas de plástico.

GUARDE ESTAS INSTRUCCIONES.

Uso previsto

La herramienta de medición está diseñada para determinar y comprobar líneas horizontales y verticales.

Características

La numeración mostrada de las características del producto se refiere a la ilustración de la herramienta en la página gráfica.

- | | |
|---|--|
| 1 Abertura de salida para el rayo láser | 14 Ranura de sujeción |
| 2 Interruptor de encendido y apagado | 15 Imanes |
| 3 Indicador de capacidad de la batería | 16 Soporte en L* |
| 4 Trabajo con el indicador de nivelación automática | 17 Soporte con pinza para rejilla de techo (BM 3)* |
| 5 Botón de modo de funcionamiento con línea vertical | 18 Pinza para rejilla de techo* |
| 6 Botón de modo de funcionamiento con línea horizontal | 19 Montura rotativa magnética (RM 1)* |
| 7 Tapa de las baterías | 20 Montura rotativa magnética con ajuste fino (RM 2)* |
| 8 Ranura de montaje | 21 Dispositivo de posicionamiento (BM 1)* |
| 9 Montura de trípode de 1/4 de pulgada | 22 Funda protectora* |
| 10 Montura de trípode de 5/8 de pulgada | 23 Maletín* |
| 11 Número de serie | 24 Placa objetivo para el láser* |
| 12 Etiqueta de advertencias del láser | 25 Trípode compacto (BT 150)* |
| 13 Montura para la herramienta | 26 Sistema de poste telescópico (BP 350)* |
| | 27 Anteojos de visión láser* |

* Los accesorios ilustrados o descritos no se incluyen como entrega estándar.

Datos Técnicos

Número de modelo	GLL 50 / GLL 55
Número de artículo	0601063F1X
Alcance de trabajo ¹⁾	50 pies (15 m) sin receptor
Precisión de la nivelación	±1/8 a 33 pies (3 mm a 10 m)
Intervalo de autonivelación, típicamente	±4°
Duración de la nivelación, típicamente	< 4 s
Temperatura de funcionamiento	14 a 122 °F (-10 a +50 °C)
Temperatura de almacenamiento	-4 a 158 °F (-20 a +70 °C)
Humedad relativa del aire, máx	90%
Clase de láser	2
Tipo de láser	630-650 nm, <1 mW
C6	1
Divergencia	0,5mrad (ángulo completo)
Montura de trípode	1/4 de pulgada, 5/8 de pulgada
Baterías	3 x 1,5 V LR06 (AA)
Duración de funcionamiento en el modo de funcionamiento	
Funcionamiento con líneas en cruz	11 h
Funcionamiento con líneas	19 h
Peso	1,08 lb (0,49 kg)
Dimensiones	4,4 x 2,2 x 4,2 pulgadas (112 x 55 x 106 mm)
Grado de protección	IP 54 (protegida contra el polvo y las salpicaduras de agua)

El número de serie grabado en la placa de características permite identificar de forma unívoca el aparato de medida.

¹⁾ El alcance de trabajo puede ser reducido por las condiciones ambientales desfavorables (por ej., radiación solar directa)

Preparación

Inserción/reemplazo de la batería

Se recomiendan baterías alcalinas de manganeso para la herramienta de medición.

– Abra la tapa de las baterías **7** e inserte las baterías. Cuando las inserte, preste atención especial a la polaridad correcta, de acuerdo con la representación que se encuentra en el interior del compartimiento de las baterías.

Si las baterías se debilitan, el indicador de capacidad de la batería **3** parpadeará de color verde. Las líneas láser también parpadearán cada 10 minutos durante aproximadamente 5 s. La herramienta de medición se puede utilizar durante aproximadamente 1 hora después del primer parpadeo. Si las baterías se descargan completamente, las líneas láser parpadearán de nuevo directamente antes de que ocurra el apagado automático.

Reemplace siempre todas las baterías al mismo tiempo. Utilice únicamente baterías de una marca y con capacidad idéntica.

- Retire las baterías de la herramienta de medición cuando ésta no se vaya a utilizar por períodos prolongados. Durante el almacenamiento por períodos prolongados, las baterías se pueden corroer y autodescargar.

Trabajo con el BM 3 (vea las figuras A - G)

El soporte en L **16** del BM 3 **17** brinda capacidad para posicionar de manera fácil y adecuada la línea o líneas láser.

Se instala en las superficies del lugar de la obra de la manera siguiente:

- En panel de yeso o paredes de madera utilizando tornillos No. 8
 - Para que se asiente en el piso
 - En montantes de acero utilizando los imanes ubicados en la parte trasera
 - En rieles de rejilla de cielo raso utilizando la funcionalidad de clip
- También se puede utilizar como minitripode.

- Para instalar la herramienta láser, enrosque la montura de 1/4 de pulgada-20 **13** en la herramienta y apriétela. Gire el pomo y la herramienta juntos según sea necesario para posicionar adecuadamente la línea o líneas láser.

- Para ajustar la altura de las líneas láser, utilice el pomo de ajuste ubicado en la pinza para rejilla de techo **18** del BM 3 **17**.

Consejo: Se recomienda limpiar la parte trasera del soporte en L **16** antes de realizar el montaje por medio de los imanes, para asegurarse de tener una sujeción magnética óptima de la herramienta sobre la superficie de montaje. Al limpiar dicha parte trasera se reducirá la cantidad de interferencia causada por cualquier polvo o residuos entre los imanes **15**, el soporte en L **16** y la superficie de montaje en el sitio de construcción.

Operación

Utilización inicial



Proteja la herramienta de medición contra la humedad y la exposición directa al sol.

No someta la herramienta de medición a temperaturas extremas ni a variaciones extremas de temperatura. Como ejemplo, no la deje en vehículos durante períodos prolongados. En el caso de grandes variaciones de temperatura, deje que la herramienta de medición se ajuste hasta la temperatura ambiente antes de ponerla en funcionamiento. En el caso de temperaturas extremas o variaciones extremas de temperatura, la precisión de la herramienta de medición puede resultar afectada.

Evite los impactos fuertes a la herramienta de medición o que ésta se caiga. Los daños a la herramienta de medición pueden afectar a su precisión. Después de un impacto o golpe fuerte, compare las líneas láser con una línea de referencia horizontal o vertical conocida.

Desconecte el aparato de medición cuando vaya a transportarlo. Presione el interruptor de encendido y apagado **2** hasta la posición de apagado (“Off”) cuando transporte la herramienta de medición. Esto bloquea la unidad de nivelación, la cual puede resultar dañada en el caso de un movimiento intenso.

Encendido y apagado

Para ahorrar energía, encienda la herramienta de medición solamente cuando la esté usando.



No deje desatendida la herramienta de medición cuando esté encendida, y

apáguela después de usarla. Otras personas podrían resultar cegadas por el rayo láser.

– Para **encender** la herramienta de medición, deslice el interruptor de encendido y apagado **2** hasta la posición de encendido “**On**” (para trabajar sin la nivelación automática) o hasta la posición de encendido “**On**” (para trabajar con la nivelación automática).

En cuanto se enciende, la herramienta de medición emite líneas láser por las aberturas de salida **1**.

⚠ ADVERTENCIA **No apunte el rayo láser hacia personas o animales, y no mire directamente al rayo láser, ni tan siquiera desde larga distancia.**

– Para **apagar** la herramienta de medición, deslice el interruptor de encendido y apagado **2** hasta la posición de “**Off**” (Apagado).

La unidad del péndulo se bloquea al apagar la herramienta.

Cuando se excede la temperatura de funcionamiento máxima permitida de 122 °F (+ 50 °C), la herramienta de medición se apaga para proteger el diodo láser. Después de enfriarse, la herramienta de medición está lista para utilizarse y se puede encender de nuevo.

Apagado automático

Cuando no se presione ningún botón de la herramienta de medición durante aproximadamente 120 minutos, la herramienta de medición se apagará automáticamente para conservar la vida útil de las baterías.

– Para encender de nuevo la herramienta de medición después de un apagado automático, usted puede deslizar el interruptor de encendido y apagado **2** hasta la posición de “**Off**” (Apagado) primero y luego encender de nuevo la herramienta de medición, o presionar el botón **5** o el botón **6**.

Desactivación del apagado automático:

– Para desactivar el apagado automático, mantenga presionado el botón **6** durante por lo menos 3 s con la herramienta de medición encendida. Cuando se desactive el apagado automático, las líneas láser parpadearán brevemente como confirmación.

Nota: Cuando la temperatura de funcionamiento exceda 113 °F (+ 45 °C), el apagado automático ya no se podrá desactivar.

Activación del apagado automático:

– Para activar el apagado automático, apague la herramienta de medición y luego enciéndala de nuevo.

Configuración del modo de funcionamiento (vea las figuras B1–F1)

La herramienta de medición tiene varios modos de funcionamiento, entre los cuales usted puede cambiar en cualquier momento:

– Funcionamiento con líneas cruzadas: La herramienta de medición genera una línea láser horizontal y una línea láser vertical orientadas hacia delante.

Las líneas láser se cruzan a un ángulo de 90°.

– Funcionamiento con puntos: La herramienta de medición genera un punto láser orientado hacia arriba y un punto láser vertical orientado hacia abajo.

– Funcionamiento con línea horizontal: La herramienta de medición genera una línea láser horizontal orientada hacia delante.










– Funcionamiento con línea vertical: La herramienta de medición genera una línea láser vertical orientada hacia delante.

Cuando la herramienta de medición esté posicionada en el cuarto, la línea láser vertical se mostrará en el techo más allá del punto láser superior.

Cuando la herramienta de medición esté posicionada directamente contra una pared, la línea láser vertical generará una línea láser casi completamente a su alrededor (línea de 360°).

Todos los modos se pueden seleccionar tanto con nivelación automática como sin ella.

Trabajo con nivelación automática

Secuencia de acciones	Funcionamiento con línea horizontal	Funcionamiento con línea vertical	Indicador 3 de capacidad de la batería	Indicador 4 para trabajar sin nivelación automática	Figura
Interrupción de encendido y apagado 2 en la posición de encendido "On" 	●	●	 verde		B2
Presione una vez el botón de modo de funcionamiento con línea horizontal 6	●	—	 verde		C2, H
Presione una vez el botón de modo de funcionamiento con línea vertical 5	—	●	 verde		I, D2
Presione una vez el botón de modo de funcionamiento con línea vertical 5 y una vez el botón de modo de funcionamiento con línea horizontal 6	●	●	 verde		F1, F2

Si la herramienta de medición está fuera del intervalo de autonivelación, las líneas y/o los puntos láser parpadearán rápidamente.

Si durante el trabajo con nivelación automática usted cambia al modo de "trabajo sin nivelación automática" (interrupción de

encendido y apagado **2** en la posición de encendido “**On**”), la primera combinación de las líneas de este modo siempre estará activada.

Trabajo sin nivelación automática

Las líneas láser parpadean lentamente en el modo de “trabajo sin nivelación automática”.

Si durante el trabajo sin nivelación automática usted cambia al modo de “trabajo con nivelación automática” (interruptor de encendido y apagado **2** en la posición de encendido “**On**”), la primera combinación de los indicadores de este modo se activa siempre.

Nivelación automática

Trabajo con nivelación automática (vea las figuras B1–E1)

- Posicione la herramienta de medición sobre un soporte nivelado y firme o instálela en la montura rotativa **19** et **20**.
- Para realizar trabajo con nivelación automática, deslice el interruptor de encendido y apagado **2** hasta la posición de encendido “**On**”.

Después de encender la unidad, la función de nivelación compensa automáticamente las irregularidades dentro del intervalo de autonivelación de $\pm 4^\circ$. La herramienta de medición está nivelada en cuanto las líneas láser dejan de parpadear.

El rayo láser parpadeará si la nivelación automática no es posible.

Esto puede ser causado por la colocación de la herramienta de medición sobre una superficie que se desvía en más de 4° del plano horizontal. En este caso, lleve la herramienta de medición hasta la posición nivelada y espere a que la autonivelación tenga lugar.

En el caso de vibraciones del terreno o cambios de posición durante la utilización, la herramienta de medición se nivela de nuevo automáticamente. Para evitar errores por causa de mover la herramienta de medición, compruebe la posición de los rayos láser con respecto a los puntos de referencia después de renivelar la herramienta.

Trabajo sin nivelación automática (vea la figura F1)

– Para realizar trabajo sin nivelación automática, deslice el interruptor de encendido y apagado **2** hasta la posición de encendido “**On**”. Cuando la nivelación automática está apagada, las líneas láser parpadean continuamente.

Cuando la nivelación automática está apagada, la herramienta de medición se puede sostener libremente con la mano o colocar sobre una superficie inclinada. Los rayos láser ya no van necesariamente perpendiculares uno respecto a otro.

Precisión de nivelación

Influencias en la precisión

La temperatura ambiente tiene la mayor influencia. Las diferencias de temperatura que ocurren desde el terreno hacia arriba, especialmente, pueden desviar el rayo láser.

Además de las influencias externas, las influencias específicas sobre el dispositivo (p. ej., caídas o golpes fuertes) también pueden causar desviaciones. Por este motivo, compruebe la precisión de nivelación cada vez que vaya a comenzar a trabajar.

Primero, compruebe tanto la altura como la precisión de nivelación de la línea láser horizontal y luego la precisión de nivelación de la línea láser vertical.

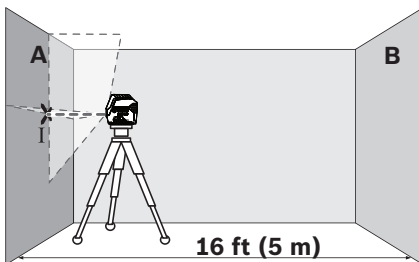
En el caso de que la herramienta de medición exceda la desviación máxima durante una de las pruebas, sírvase hacer

que sea reparada por un servicio posventa Bosch.

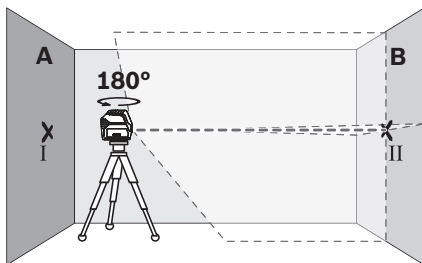
Comprobación de la precisión de la altura de la línea horizontal

Para realizar esta comprobación se requiere una distancia de medición libre de 16 pies (5 m) sobre una superficie firme entre dos paredes A y B.

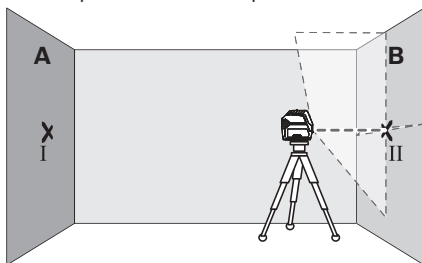
- Monte la herramienta de medición en un trípode o colóquela sobre una superficie firme y nivelada cerca de la pared A. Encienda la herramienta de medición. Seleccione funcionamiento con líneas en cruz con nivelación automática.
- Dirija el láser contra la pared A cercana y deje que la herramienta de medición se nivele. Marque el centro del punto donde las líneas láser se cruzan una con otra en la pared (punto I).



- Gire la herramienta de medición 180°, deje que se nivele y marque el punto de cruce de las líneas láser en la pared opuesta B (punto II).

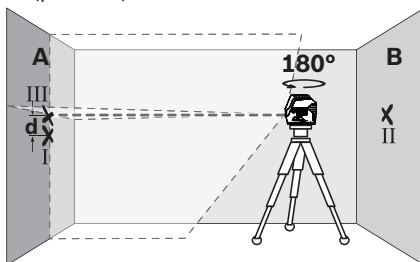


- Sin girar la herramienta de medición, posicónela cerca de la pared B. Encienda la herramienta de medición y deje que se nivele.
- Alinee la altura de la herramienta de medición (utilizando un trípode o colocando un soporte debajo, en caso de que sea necesario) de manera que el punto de cruce de las líneas láser se proyecte contra el punto II marcado previamente en la pared B.



- Sin cambiar la altura, gire la herramienta de medición 180°. Diríjala contra la pared A de tal manera que la línea láser vertical

pase a través del punto I ya marcado. Deje que la herramienta de medición se nivele y marque el punto de cruce de las líneas láser en la pared A (punto III).



– La diferencia d de ambos puntos marcados I y III en la pared A indica la desviación de altura real de la herramienta de medición. La desviación máxima permitida d_{max} se puede calcular de la siguiente manera:

d_{max} = el doble de la distancia entre las paredes x 0,0118 pulgadas (0.3 mm)

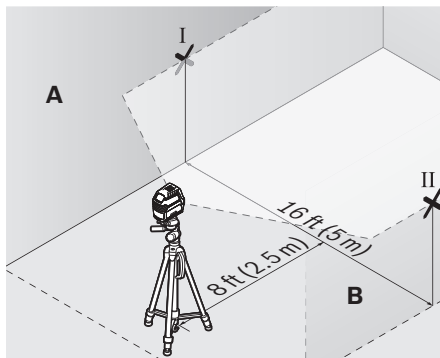
Ejemplo: Si la distancia entre las paredes es 16 pies (5 m), la desviación máxima es $d_{max} = 2 \times 16$ pies x 0,0118 pulgadas = 0,118 pulgadas (2×5 m x 0,3 mm/m = 3 mm). Por lo tanto, las marcas deben estar separadas entre sí 0,118 pulgadas (3 mm) como máximo.

Comprobación de la precisión de nivelación de la línea horizontal

Para realizar la comprobación se requiere un área despejada de aproximadamente 16 x 16 pies.

– Coloque la herramienta de medición sobre una superficie firme y nivelada entre las dos paredes A y B. Deje que la herramienta de medición se nivele mientras está en funcionamiento horizontal.

– A una distancia de 8 pies (2,5 m) de la herramienta de medición, marque el centro de la línea láser (punto I en la pared A y punto II en la pared B) en ambas paredes.

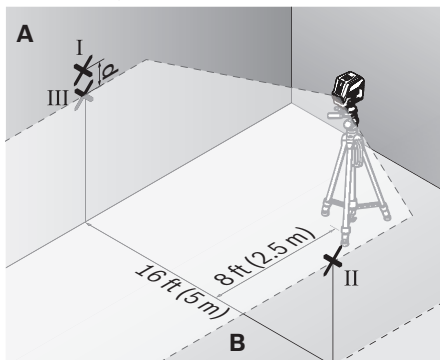


– Coloque la herramienta de medición a una distancia de 16 pies (5 m), girada 180°, y deje que se nivele.

– Alinee la altura de la herramienta de medición (utilizando un trípode o colocando un soporte debajo, en caso de que sea necesario) de tal manera que el centro de la línea láser se

proyecte exactamente contra el punto II marcado previamente en la pared B.

– Marque el centro de la línea láser como punto III (verticalmente por encima o por debajo del punto I) en la pared A.



– La diferencia d de ambos puntos marcados I y III en la pared A indica la desviación real de la herramienta de medición respecto al plano nivelado.

La desviación máxima permitida d_{max} se puede calcular de la siguiente manera:

d_{max} = el doble de la distancia entre las paredes x 0,0118 pulgadas (0,3 mm)

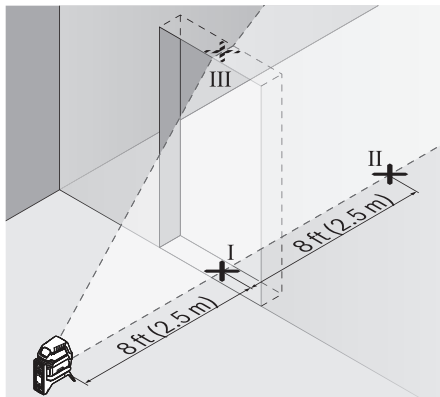
Ejemplo: Si la distancia entre las paredes es 16 pies (5 m), la desviación máxima es $d_{max} = 2 \times 16$ pies x 0,0118 pulgadas = 0,118 pulgadas (2×5 m x 0,3 mm/m = 3 mm). Por lo tanto, las marcas deben estar separadas entre sí 0,118 pulgadas (3 mm) como máximo.

Comprobación de la precisión de nivelación de la línea vertical

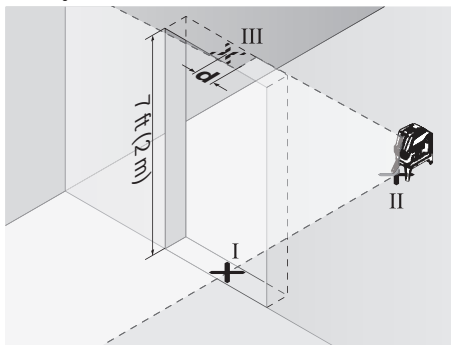
Para realizar esta comprobación, se requiere una abertura de puerta con por lo menos 8 pies (2,5 m) de espacio (sobre una superficie firme) a cada lado de la puerta.

– Posicione la herramienta de medición sobre una superficie firme y nivelada (no sobre un trípode) a una distancia de 8 pies (2,5 m) de la abertura de la puerta. Deje que la herramienta de medición se nivele mientras está en el modo de funcionamiento con líneas en cruz y dirija los rayos láser hacia al abertura de la puerta.

– Marque el centro de la línea láser vertical en el piso de la abertura de la puerta (punto I), a una distancia de 16 pies (5 m) más allá del otro lado de la abertura de la puerta (punto II) y en el borde superior de la abertura de la puerta (punto III).



– Posicione la herramienta de medición en el otro lado de la abertura de la puerta, directamente detrás del punto II. Deje que la herramienta de medición se nivele y alinee la línea láser vertical de tal manera que su centro pase exactamente a través de los puntos I y II.



– La diferencia d entre el punto III y el centro de la línea láser en el borde superior de la abertura de la puerta da como resultado la desviación real de la herramienta de medición respecto al plano vertical.

– Mida la altura de la abertura de la puerta.

La desviación máxima permitida d_{max} se calcula de la siguiente manera:

d_{max} = el doble de la altura de la abertura de la puerta x 0,0118 pulgadas (0,3 mm/m)

Ejemplo: Con una altura de la abertura de la puerta de 7 pies (2 m), la desviación máxima permitida es

$d_{\max} = 2 \times 7 \text{ pies} \times 0,0118 \text{ pulgadas} = 0,0472 \text{ pulgadas} (2 \times 2 \text{ m} \times 0,3 \text{ mm/m} = 1,2 \text{ mm})$.

Por lo tanto, las marcas no deben estar separadas entre sí más de 0,0472 pulgadas (1,2 mm).

Consejos de Trabajo

- Para marcar, utilice siempre sólo el centro de la línea láser. La anchura de la línea láser cambia con la distancia.

Trabajo con el trípode (accesorio)

Un trípode ofrece un soporte de medición estable de altura ajustable. Posicione la herramienta de medición con la montura de trípode de 1/4 de pulgada **10** sobre la rosca del trípode o un trípode de cámara disponible comercialmente. Para sujetar la herramienta a un trípode de construcción disponible comercialmente, utilice la montura de trípode de 5/8 de pulgada **11**. Apriete la herramienta de medición con el espárrago de montaje del trípode.

– Ajuste el trípode antes de encender la herramienta de medición.

Sujeción con el dispositivo de posicionamiento (accesorio) (vea la figura H)

Con el dispositivo de posicionamiento **16, 17, 21**, usted puede sujetar la herramienta de medición, p. ej., a superficies verticales, tuberías o materiales magnetizables. El soporte universal también es adecuado para utilizarse como trípode sobre el terreno y facilita el ajuste de la altura de la herramienta de medición.

– Ajuste el dispositivo de posicionamiento **16, 17, 21** antes de encender la herramienta de medición.

Trabajo con la placa objetivo para el láser (vea la figura H)

La placa objetivo para el láser **24** aumenta la visibilidad del rayo láser en condiciones desfavorables y a largas distancias.

La parte reflectora de la placa objetivo para el láser **24** mejora la visibilidad de la línea láser. Gracias a la franja transparente, la línea láser también es visible desde el lado trasero de la placa objetivo para el láser.

Anteojos de visión láser (accesorio)

Los anteojos de visión láser impiden el paso de la luz ambiental. Esto hace que a los ojos la luz roja del láser les parezca más brillante.

Ejemplos de trabajo (vea las figuras B2–F2, H e I)

En las páginas gráficas se pueden encontrar ejemplos de aplicaciones para la herramienta de medición.

Posicione siempre la herramienta de medición cerca de la superficie o del borde que desee comprobar, y deje que se nivele antes de realizar cada medición.

Mida siempre las distancias entre el rayo láser y una superficie o borde en dos puntos que estén lo más alejados posible uno de otro.

Mantenimiento y servicio

⚠ ADVERTENCIA

Solamente guarde y transporte el aparato demedida en el estuche de protección adjunto.

Mantenga limpio siempre el aparato de medida.

No sumerja el aparato de medición en agua ni en otros líquidos.

Limpiar el aparato con un paño húmedo y suave. No usar detergentes ni disolventes.

Limpie con regularidad sobre todo el área en torno a la abertura de salida del láser, cuidando que no queden motas.

Si a pesar de los esmerados procesos de fabricación y control, el aparato de medida llegase a averiarse, la reparación deberá encargarse a un taller de servicio autorizado para herramientas eléctricas Bosch.

Al realizar consultas o solicitar piezas de repuesto, es imprescindible indicar siempre el nº de artículo de 10 dígitos que figura en la placa de características del aparato de medida.

PROTECCIÓN AMBIENTAL



Recicle materias primas en vez de botarlas a la basura. La máquina, los accesorios y el empaque deberán ser clasificados para un reciclado compatible con el ambiente.

GARANTÍA LIMITADA PARA PRODUCTOS DE HERRAMIENTAS LÁSER Y DE MEDICIÓN BOSCH

Robert Bosch Tool Corporation (el “Vendedor”) garantiza, solamente al comprador original, que todas las herramientas láser y de medición Bosch estarán libres de defectos de material o de fabricación durante un período de un (1) año a partir de la fecha de compra. Bosch extenderá la cobertura de garantía a dos (2) años cuando usted registre su producto dentro del plazo de ocho (8) semanas a partir de la fecha de compra. La tarjeta de registro del producto debe ser completada y enviada por correo a Bosch (sellada por la oficina de correos dentro del plazo de ocho semanas después de la compra), o usted puede registrar su producto por Internet en www.boschtools.com/Service/ProductRegistration. Si decide no registrar su producto, al mismo se le aplicará una garantía limitada de un (1) año.

Reembolso de devolución del dinero o reemplazo durante 30 días:

Si no está completamente satisfecho con el rendimiento de sus herramientas láser y de medición, por cualquier motivo, puede devolver el producto a su distribuidor Bosch dentro del plazo de 30 días a partir de la fecha de compra para obtener un reembolso completo o un reemplazo. Para obtener este reembolso o reemplazo dentro del plazo de 30 días, su devolución debe estar acompañada por el recibo de compra original del producto tipo láser o instrumento óptico. Se permitirá un máximo de 2 devoluciones por cliente.

LA OBLIGACIÓN EXCLUSIVA DEL VENDEDOR Y EL RECURSO EXCLUSIVO QUE USTED TIENE bajo esta Garantía Limitada y, en hasta donde la ley lo permita, cualquier garantía o condición implícita por ley, consistirán en la reparación o el reemplazo de las piezas, sin cargo, que presenten defectos de material o de fabricación y que no hayan sido utilizadas incorrectamente, manejadas descuidadamente o reparadas incorrectamente por personas que no sean el Vendedor o un Centro de Servicio Autorizado. Para presentar un reclamo bajo esta Garantía

Limitada, usted debe devolver la herramienta láser o de medición Bosch completa, con el transporte prepagado, a cualquier Centro de Servicio de Fábrica o Centro de Servicio Autorizado BOSCH. Sírvase incluir un comprobante de compra fechado con su herramienta. Para averiguar las ubicaciones de los centros de servicio cercanos, sírvase usar nuestro localizador de servicio por Internet o llamar al 1-877-267-2499.

ESTE PROGRAMA DE GARANTÍA NO SE APLICA A LOS TRÍPODES NI A LAS VARILLAS. Robert Bosch Tool Corporation (el “Vendedor”) garantiza los trípodes y las varillas niveladoras durante un período de un (1) año a partir de la fecha de compra.

ESTA GARANTÍA LIMITADA NO SE APLICA A OTROS ARTÍCULOS ACCESORIOS NI ARTÍCULOS RELACIONADOS. ESTOS ARTÍCULOS RECIBEN UNA GARANTÍA LIMITADA DE 90 DÍAS.

Para presentar un reclamo bajo esta Garantía Limitada, usted debe devolver el producto completo, con el transporte prepagado. Para obtener detalles con el fin de presentar un reclamo bajo esta Garantía Limitada, sírvase visitar www.boschtools.com o llamar al 1-877-267-2499.

TODAS LAS GARANTÍAS IMPLÍCITAS ESTARÁN LIMITADAS EN DURACIÓN A UN AÑO A PARTIR DE LA FECHA DE COMPRA. ALGUNOS ESTADOS DE LOS EE.UU. Y ALGUNAS PROVINCIAS CANADIENSES NO PERMITEN LIMITACIONES EN CUANTO A LA DURACIÓN DE UNA GARANTÍA IMPLÍCITA, POR LO QUE ES POSIBLE QUE LA LIMITACIÓN QUE ANTECEDE NO TENGA APLICACIÓN EN EL CASO DE USTED.

EL VENDEDOR NO SERÁ RESPONSABLE EN NINGÚN CASO POR DAÑOS INCIDENTALES O EMERGENTES (INCLUYENDO PERO SIN ESTAR LIMITADOS A RESPONSABILIDAD POR PÉRDIDA DE UTILIDADES) QUE SURJAN DE LA VENTA DE ESTE PRODUCTO. ALGUNOS ESTADOS DE LOS EE.UU. Y ALGUNAS PROVINCIAS CANADIENSES NO PERMITEN LA EXCLUSIÓN NI LA LIMITACIÓN

DE LOS DA—OS INCIDENTALES O EMERGENTES, POR LO QUE ES POSIBLE QUE LA LIMITACIÓN QUE ANTECEDE NO TENGA APLICACIÓN EN EL CASO DE USTED.

ESTA GARANTÍA LIMITADA LE CONFIERE A USTED DERECHOS LEGALES ESPECÍFICOS Y ES POSIBLE QUE USTED TENGA TAMBIÉN OTROS DERECHOS QUE VARÍAN DE UN ESTADO A OTRO EN LOS EE.UU. O DE UNA PROVINCIA A OTRA EN CANADÁ Y DE UN PAÍS A OTRO.

ESTA GARANTÍA LIMITADA SE APLICA SÓLO A LOS PRODUCTOS VENDIDOS EN LOS ESTADOS UNIDOS DE AMÉRICA, CANADÁ Y LA MANCOMUNIDAD DE PUERTO RICO. PARA OBTENER COBERTURA DE GARANTÍA EN OTROS PAÍSES, CONTACTE A SU DISTRIBUIDOR O IMPORTADOR BOSCH LOCAL.

© Robert Bosch Tool Corporation 1800 W. Central Road Mt. Prospect, IL 60056-2230
Exportado por: Robert Bosch Tool Corporation Mt. Prospect, IL 60056-2230, E.U.A.
Importado en México por: Robert Bosch, S.A. de C.V., Calle Robert Bosch No. 405, Zona
Industrial, Toluca, Edo. de México, C.P. 50070, Tel. (722) 2792300



2 6 1 0 0 4 1 7 7 8

03/2016

Printed in China