

IMPORTANT:
Read Before Using

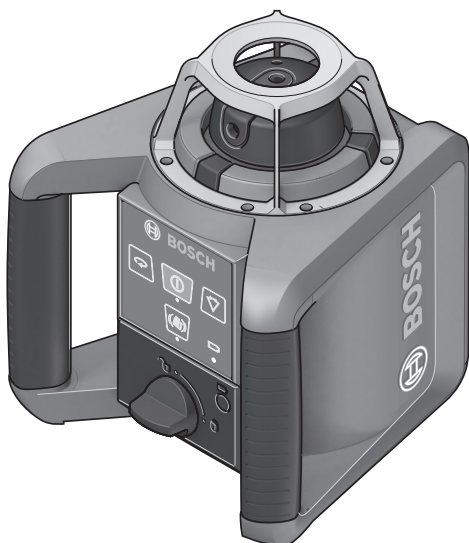
IMPORTANT :
Lire avant usage

IMPORTANTE:
Leer antes de usar



Operating/Safety Instructions
Consignes de fonctionnement/sécurité
Instrucciones de funcionamiento y seguridad

GRL 240 HV
GRL 245 HV
GRL 250 HV
GRL 300 HV
GRL 300 HVG



BOSCH

Call Toll Free for
Consumer Information
& Service Locations

Pour obtenir des informations
et les adresses de nos centres
de service après-vente, appelez
ce numéro gratuit

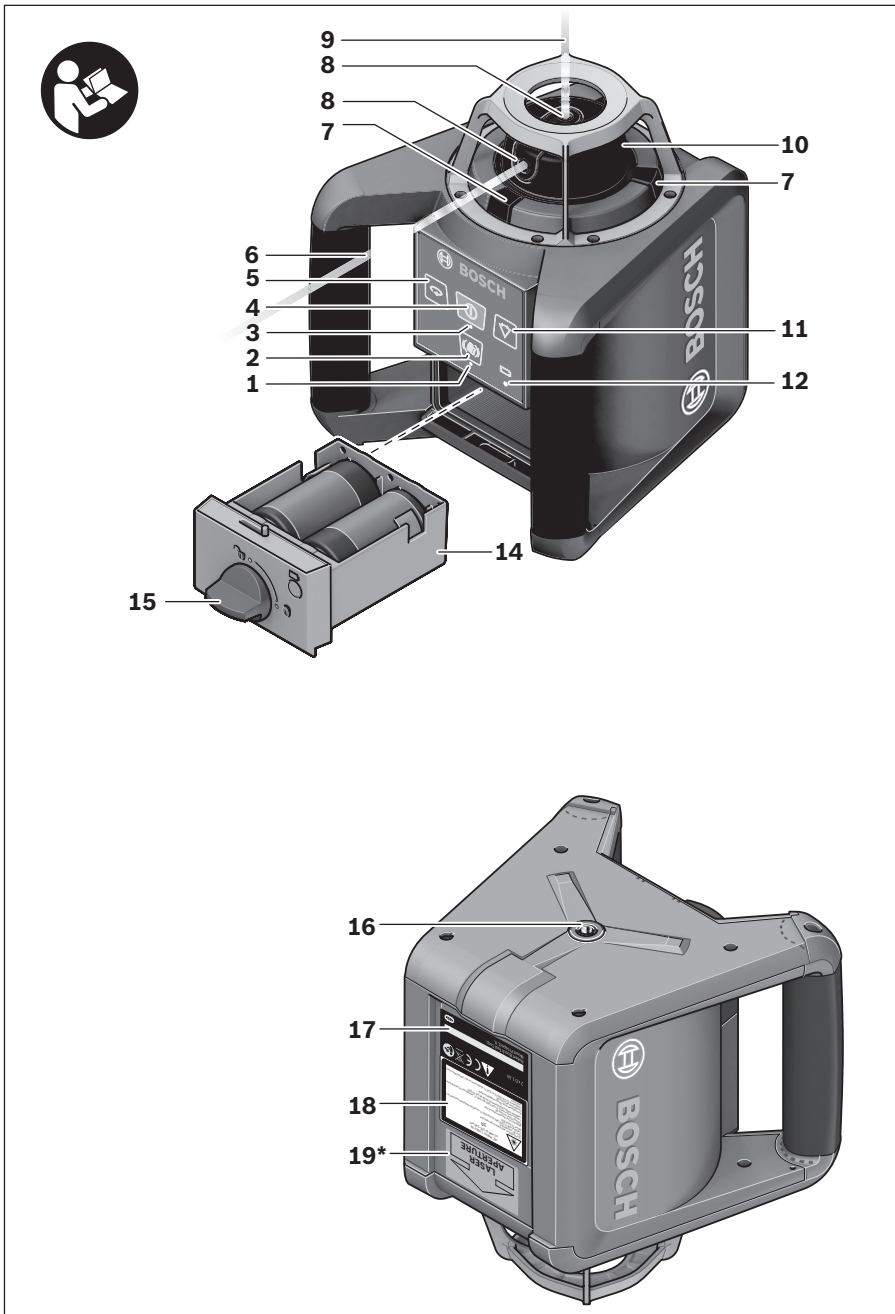
Llame gratis para
obtener información
para el consumidor y
ubicaciones de servicio

1-877-BOSCH99 (1-877-267-2499) www.boschtools.com

For English Version
See page 6

Version française
Voir page 25

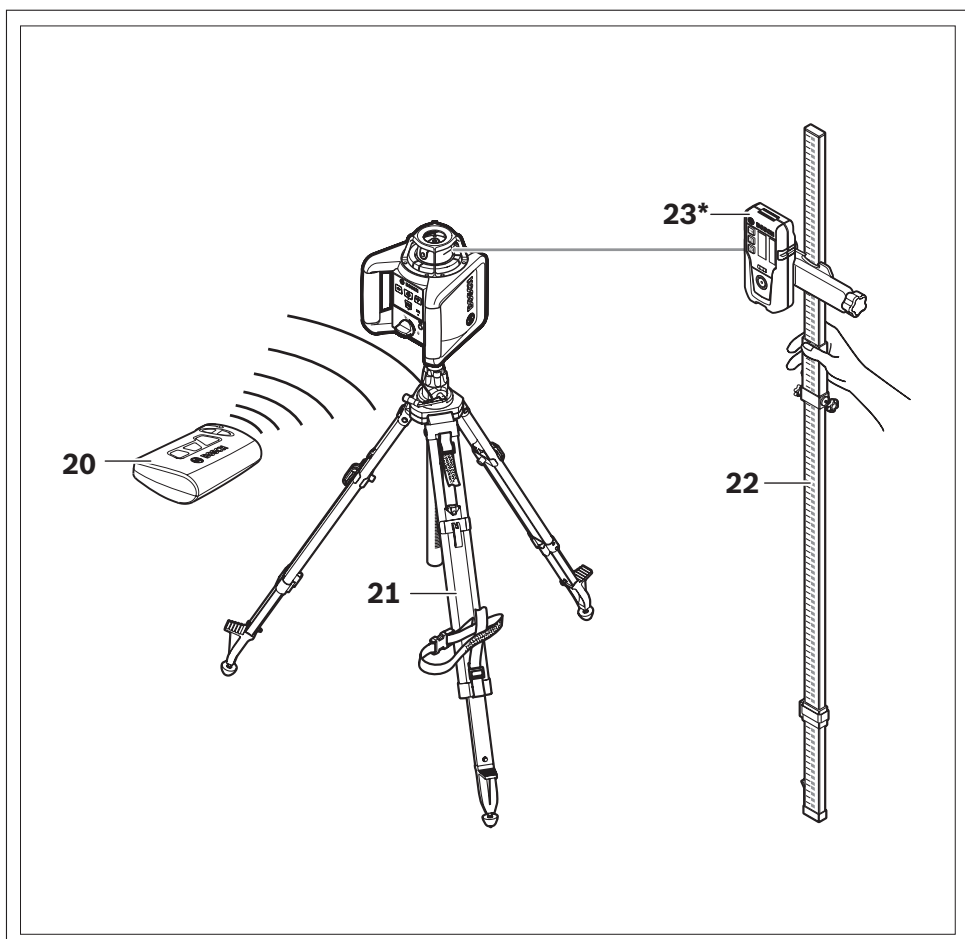
Versión en español
Ver la página 44



*3R aperture warning applies only to GRL 250 HV, GRL 300 HV, GRL 300 HVG

*L'avertissement relatif à l'ouverture 3R ne s'applique qu'aux modèles GRL 250 HV, GRL 300 HV et GRL 300 HVG

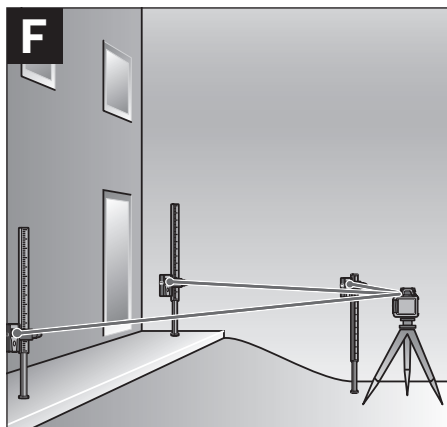
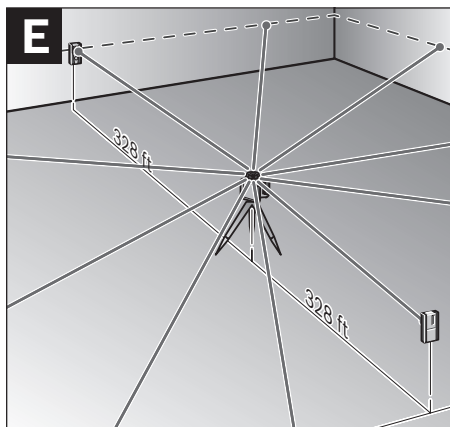
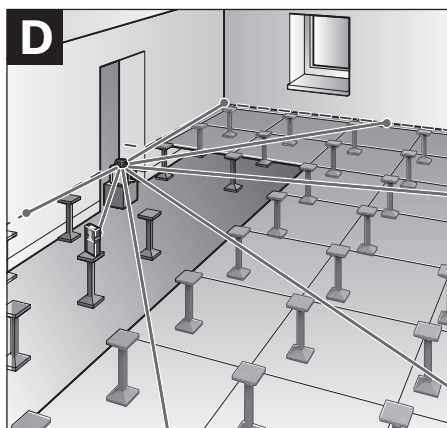
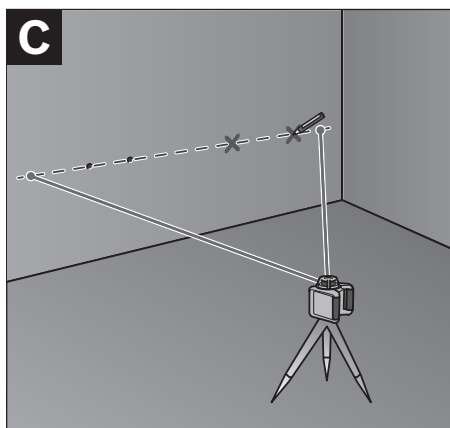
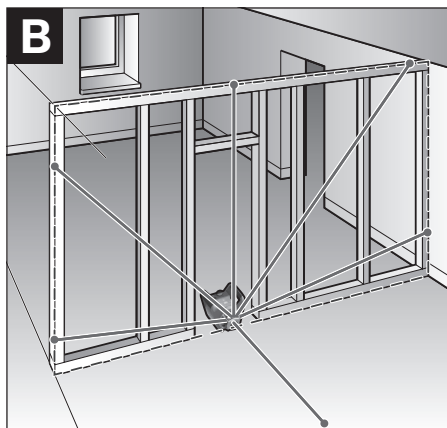
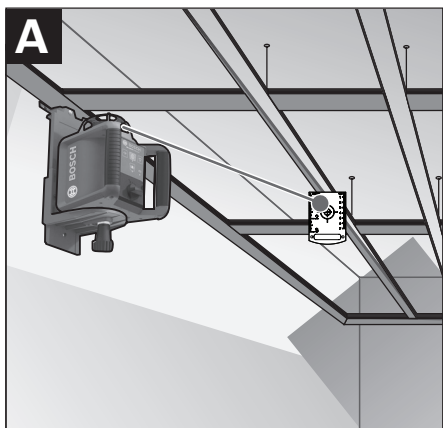
*La advertencia de apertura 3R se aplica sólo a los modelos GRL 250 HV, GRL 300 HV y GRL 300 HVG

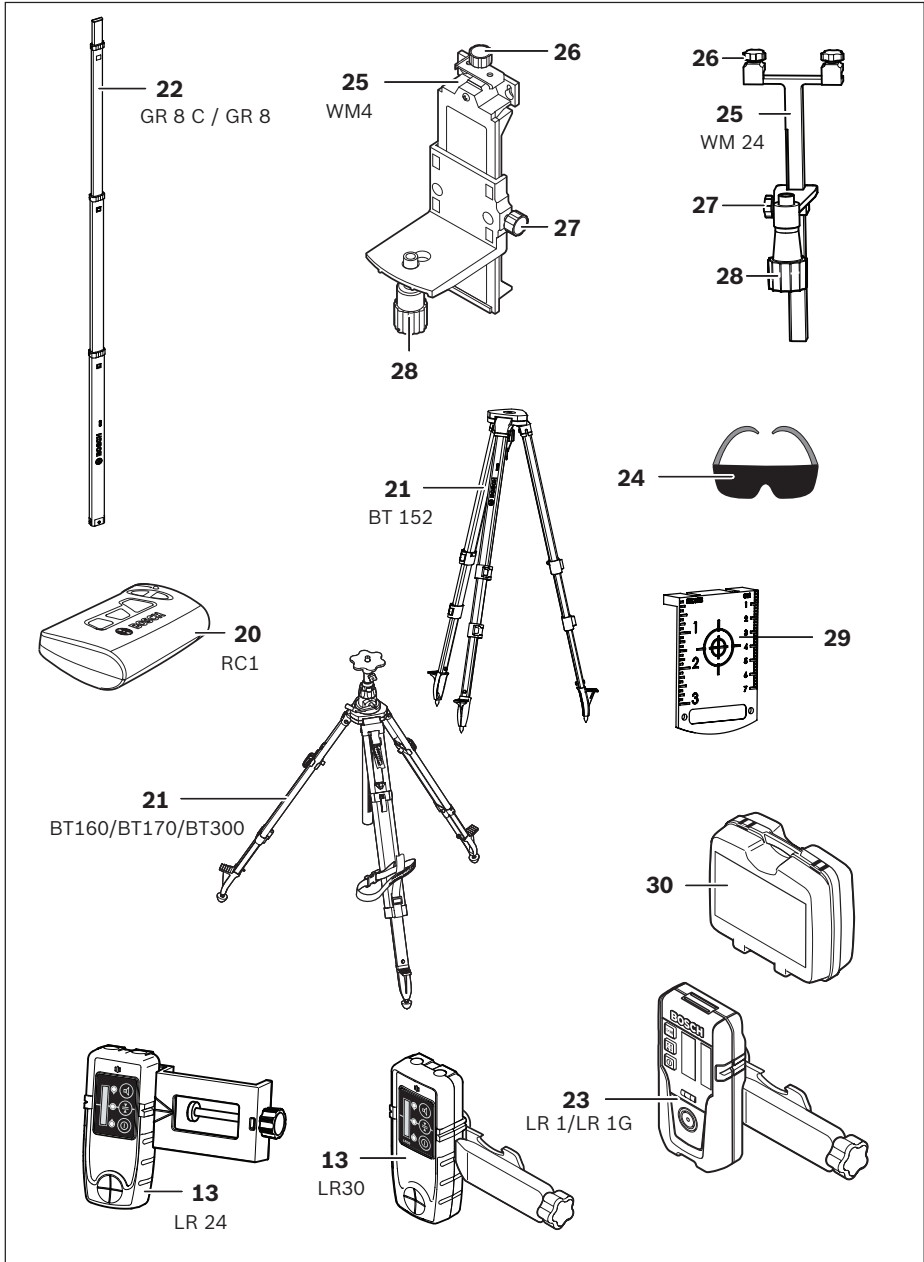


* For GRL 240 HV, GRL 245 HV and GRL 250 HV refer to LR 24 and LR 30 receiver and bracket

* Pour les modèles GRL 240 HV, GRL 245 HV et GRL 250 HV, référez-vous aux récepteurs et supports LR 24 et LR 30.

* Para los modelos GRL 240 HV, GRL 245 HV y GRL 250 HV, consulte el receptor y soporte LR 24 y LR 30





General Safety Rules



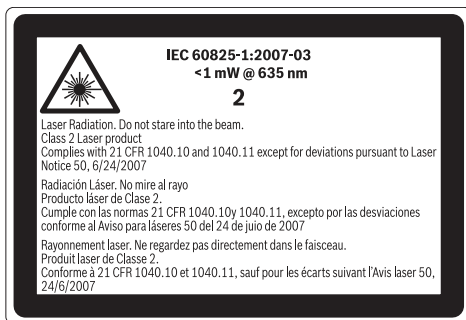
WARNING

Read all instructions. Failure to follow all instructions listed below may result in hazardous radiation exposure, electric shock, fire and/or serious injury. The term "tool" in all of the warnings listed below refers to your battery-operated (cordless) tool.

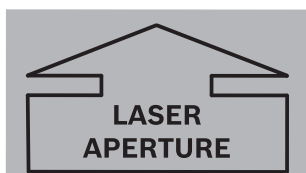
The following labels are on your laser tool for your convenience and safety. They indicate where the laser light is emitted by the tool. ALWAYS BE AWARE of their location when using the tool.

GRL 240 HV / GRL 245 HV

The measuring tool is provided with a warning label in English (marked with number **18** in the representation of the measuring tool on the graphics page).

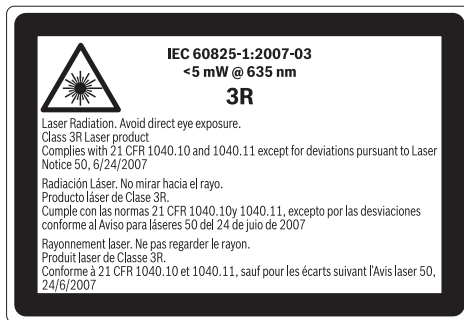


The following labels are on your laser tool for your convenience and safety. They indicate where the laser light is emitted by the tool. ALWAYS BE AWARE of their location when using the tool.

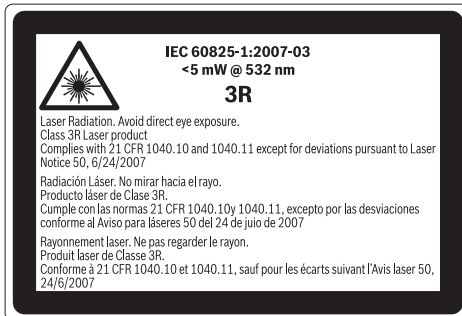


GRL 250 HV / GRL 300 HV

The measuring tool is provided with a warning label in English (marked with number **18** and **19** in the representation of the measuring tool on the graphics page).



GRL 300 HVG



Complies with 21CFR 1040.10 and 1040.11 except for deviations pursuant to laser notice No. 50, dated June 24, 2007.



DO NOT direct the laser beam at persons or animals and do not stare into the laser beam yourself. This tool produces laser class 2 laser radiation and complies with 21 CFR 1040.10 and 1040.11 except for deviations pursuant to Laser Notice No. 50, dated June 24, 2007. This can lead to persons being blinded.

DO NOT remove or deface any danger, warning or caution labels. Removing labels increases the risk of exposure to laser radiation.

Use of controls or adjustments or performance of procedures other than those specified in this manual, may result in hazardous radiation exposure.

ALWAYS make sure that any bystanders in the vicinity of use are made aware of the dangers of looking directly into the laser tool.

DO NOT place the laser tool in a position that may cause anyone to stare into the laser beam intentionally or unintentionally. Serious eye injury could result.

ALWAYS position the laser tool securely. Damage to the laser tool and/or serious injury to the user could result if the laser tool falls.

ALWAYS use only the accessories that are recommended by the manufacturer of your laser tool. Use of accessories that have been designed for use with other laser tools could result in serious injury or unsatisfactory performance.

DO NOT use this laser tool for any purpose other than those outlined in this manual. This could result in serious injury or unsatisfactory performance.

DO NOT leave the laser tool “ON” unattended in any normal operating mode.

DO NOT disassemble the laser tool. There are no user serviceable parts inside. Do not modify the product in any way. Modifying the laser tool may result in hazardous laser radiation exposure.

SAVE THESE INSTRUCTIONS

FCC Statement

This product has been tested and found to comply with the limits for a Class B digital device, pursuant to Part 15 of the FCC rules. These limits are designed to provide reasonable protection against harmful interference in a residential installation. This equipment generates, uses, and can radiate radio frequency energy and, if not installed and used in accordance with the instructions, may cause harmful interference to radio communications. However, there is no guarantee that interference will not occur in a particular installation. If this equipment does cause harmful interference to radio or television reception, which can be determined by turning the equipment off and on, the user is encouraged to try to correct the interference by one or more of the following measures:

- Reorient or relocate the receiving antenna.
- Increase the separation between the equipment and receiver.
- Consult the dealer or an experienced radio/TV technician for help.

SAVE THESE INSTRUCTIONS

Declaration of Conformity

We declare under our sole responsibility that the product described under “Technical Data” is in conformity with the following standards or standardization documents: EN 61010-1, EN 60825-1 (measurement tool) according to the provisions of the directives 2006/95/EC, 2004/108/EC, 2006/42/EC.

WORK AREA SAFETY

Keep work area clean and well lit. Cluttered or dark areas invite accidents.

DO NOT operate the laser tool around children or allow children to operate the laser tool. Serious eye injury could result.

DO NOT use measuring tools, attachments and accessories outdoors when lightening conditions are present.

DO NOT operate the measuring tool in explosive atmospheres, such as in the presence of flammable liquids, gases, or dust.

ELECTRICAL SAFETY

Batteries can explode or leak, cause injury or fire. To reduce this risk, always follow all instructions and warnings on the battery label and package.

Do not short any battery terminals.

Do not charge alkaline batteries.

Do not mix old and new batteries.

Replace all old batteries at the same time with new batteries of the same brand and type.

Do not mix battery chemistries.

Dispose of or recycle batteries per local code.

Do not dispose of batteries in fire.

Keep batteries out of reach of children.

Remove the batteries from the tool when not using for extended periods. When storing for extended periods, the batteries can corrode and discharge themselves.

PERSONAL SAFETY

Stay alert, watch what you are doing and use common sense when operating a measuring tool. Do not use a measuring tool while you are tired or under the influence of drugs, alcohol or medication. A moment of inattention while using a measuring tool may result in serious personal injury or incorrect measurement results.

Use safety equipment. Always wear eye protection. Safety equipment such as dust mask, non-skid safety shoes, hard hat, or hearing protection used for appropriate conditions will reduce personal injuries.

DO NOT use the laser viewing glasses as safety goggles. The laser viewing glasses are used for improved visualization of the laser beam, but they do not protect against laser radiation.


DO NOT use the laser viewing glasses as sun glasses or in traffic. The laser viewing glasses do not afford complete UV protection and reduce color perception.

DO NOT use any optical tools such as, but not limited to, telescopes or transits to view the laser beam. Serious eye injury could result.

DO NOT stare directly at the laser beam or project the laser beam directly into the eyes of others. Serious eye injury could result.

Use caution when using measuring tools in the vicinity of electrical hazards.

Wear eye protection. If Spirit Level leaks, soak up with appropriate absorbent material and dispose of safely. Spirit Level contains flammable liquid that may cause respiratory tract, eye and skin irritation.

 **WARNING** **NOISE INFORMATION**
Do not hold the measuring tool close to your ear! Typically, the A-weighted sound pressure level of the audio signal at one meter distance is 75-85 db(A). Measured sound values determined according to EN60745. Serious injury can result.

USE AND CARE

Use the correct measuring tool for your application. The correct measuring tool will do the job better and safer.

Do not use the measuring tool if the switch does not turn it on and off. Any measuring tool that cannot be controlled with the switch is dangerous and must be repaired.

Store idle measuring tools out of the reach of children and do not allow persons unfamiliar with the measuring tool or these instructions to operate the measuring tool. Measuring Tools are dangerous in the hands of untrained users.

Maintain measuring tools. Check for misalignment or binding of moving parts, breakage of parts and any other condition that may affect the measuring, detection and layout tools operation. If damaged, have the measuring tool repaired before use. Many accidents are caused by poorly maintained measuring tools.

Use the measuring tool, accessories, etc., in accordance with these instructions and in the manner intended for the particular type of measuring tool, taking into account the working conditions and the work to be performed. Use of the measuring tool for operations different from those intended could result in a hazardous situation.

SERVICE

Have your measuring tool serviced by a qualified repair person using only identical replacement parts. This will ensure that the safety of the tool is maintained.

Develop a periodic maintenance schedule for tool. Follow checking and recalibration procedures outlined in the instruction manual.

When cleaning a tool be careful not to disassemble any portion of the tool since internal wires may be misplaced or pinched or may be improperly mounted. Certain cleaning agents such as gasoline, carbon tetrachloride, ammonia, etc. may damage plastic parts.

SAVE THESE INSTRUCTIONS.

Intended Use

Rotational Laser Level

The measuring tool is intended for determining and checking precise horizontal partitions, vertical lines, building lines and plumb points.

The measuring tool is suitable for indoor and outdoor use.

⚠ WARNING Working safely with the rotary laser is possible only when the operating and safety information are read completely and the instructions contained therein are strictly followed. Never make warning labels on the rotary laser unrecognizable.

Use of controls or adjustments or performance of procedures other than those specified herein may result in hazardous radiation exposure.

The use of optical instruments with this product will increase risk of eye injury.

Have the rotary laser repaired only through qualified specialist using original spare parts. This ensures that the safety of the rotary laser is maintained.

Do not allow children to use the rotary laser without supervision. They could unintentionally blind other persons.

Do not use the laser viewing glasses as safety goggles. The laser viewing glasses are used for improved visualization of the laser beam, but they do not protect against laser radiation.

Do not use the laser viewing glasses as sun glasses or in traffic. The laser viewing glasses do not afford complete UV protection and reduce color perception.

Preparation

Inserting/Replacing the Battery

⚠ WARNING ALWAYS turn off the laser and the main power switch before removing and replacing batteries.


Alkaline batteries are recommended for the tool.

Always replace all batteries at the same time. Use only batteries from one brand and with the identical capacity.

Remove the batteries from the tool when not using it for extended periods. When storing for extended periods, the batteries can corrode and discharge themselves.

When inserting, pay attention to the correct polarity according to the representation of the inside battery lid.

It is the user's responsibility to periodically check the accuracy of the measuring tool as work progresses. Always check the accuracy of the measuring tool after it has been dropped or subject to extreme temperatures and temperature variations.

To open the battery compartment **14**, turn the locking knob **15** to position  and pull out the battery compartment.

Always replace all batteries at the same time. Only use batteries from one brand and with the identical capacity.

Shut the battery compartment **14** and turn the locking knob **15** to the  position.

In case the batteries have been inserted incorrectly, the measuring tool cannot be switched on. Insert the batteries with correct polarity.

Remove the batteries from the tool when not using it for extended periods. When storing for extended periods, the batteries can corrode and discharge themselves.

Low Battery Indicator

When the charge-control indicator **12** flashes red for the first time, the measuring tool can still be operated for approx. 2 h.

When the charge-control indicator **12** lights up red continuously, measurements are no longer possible. The measuring tool switches off automatically after 1 minute.

Technical Data

Rotational Laser Level	GRL 240 HV	GRL 245 HV	GRL 250 HV
Working range (Diameter) –without laser receiver	approx. 200 ft approx. 60 m	approx. 200 ft approx. 60 m	approx. 200 ft approx. 60 m
–with laser receiver	approx. 800 ft approx. 240 m	approx. 800 ft approx. 240 m	approx. 1000 ft approx. 300 m
Levelling Accuracy ^{1) 2)}	± 1/4" @ 100 ft ± 2.0 mm @ 10 m	± 1/8" @ 100 ft ± 1.0 mm @ 10 m	± 1/8" @ 100 ft ± 1.0 mm @ 10 m
Self-levelling range, typ.	± 8% (± 5°)	± 8% (± 5°)	± 8% (± 5°)
Levelling duration, typically	15 s	15 s	15 s
Rotational speed	150/300/600min ⁻¹	150/300/600min ⁻¹	150/300/600min ⁻¹
Scan angle for line operation	10°/25°/50°	10°/25°/50°	10°/25°/50°
Operating temperature	0...+50°C	0...+50°C	0...+50°C
Storage temperature	-20...+70°C	-20...+70°C	-20...+70°C
Relative air humidity, max.	90 %	90%	90 %
Laser class	2	2	3R
Laser type	635nm, <1mW	635nm, <1mW	635nm, <5mW
Laser beam Ø at the exit opening, approx. ¹⁾	5mm	5mm	5mm
Tripod mount (horizontal)	5/8"-11	5/8"-11	5/8"-11
Batteries (alkali-manganese)	2 x 1.5 VD (LR20)	2 x 1.5 VD (LR20)	2 x 1.5 VD (LR20)
Operating life time, approx. –Batteries (alkali-manganese) ¹⁾	50 h	50 h	50 h
Weight according to EPTA-Procedure 01/2003	3.9 lbs	3.9 lbs	3.9 lbs
Dimensions	190 x 180 x 170 mm	190 x 180 x 170 mm	190 x 180 x 170 mm
Degree of protection	IP54 (dust and splash water protected)	IP54 (dust and splash water protected)	IP54 (dust and splash water protected)

1) at 68° F (20 °C)

2) alongside the axes

Please observe the article number on the type plate of your measuring tool. The trade names of the individual measuring tools may vary.

The measuring tool can be clearly identified with the serial number **17** on the type plate.

Rotational Laser Level	GRL 300 HV	GRL 300 HVG
Working range (Diameter) –without laser receiver	approx. 200 ft approx. 60 m	approx. 330 ft approx. 100 m
–with laser receiver	approx. 1000 ft approx. 300 m	approx. 1000 ft approx. 300 m
Levelling Accuracy ^{1) 2)}	± 1/8" @ 100 ft ± 1.0 mm @ 10 m	± 1/8" @ 100 ft ± 1.0 mm @ 10 m
Self-levelling range, typ.	± 8% (± 5°)	± 8% (± 5°)
Levelling duration, typically	15 s	15 s
Rotational speed	150/300/600min ⁻¹	150/300/600min ⁻¹
Scan angle for line operation	10°/25°/50°	10°/25°/50°
Operating temperature	0...+50°C	0...+40°C
Storage temperature	-20...+70°C	-20...+70°C
Relative air humidity, max.	90 %	90 %
Laser class Laser type	3R 635nm, <5mW	3R 532nm, <5mW
Laser beam Ø at the exit opening, approx. ¹⁾	5mm	5mm
Tripod mount (horizontal)	5/8"-11	5/8"-11
Batteries (alkali-manganese)	2 x 1.5 VD (LR20)	2 x 1.5 VD (LR20)
Operating life time, approx. –Batteries (alkali-manganese) ¹⁾	50 h	30 h
Weight according to EPTA-Procedure 01/2003	3.9 lbs	3.9 lbs
Dimensions	190 x 180 x 170 mm	190 x 180 x 170 mm
Degree of protection	IP54 (dust and splash water protected)	IP54 (dust and splash water protected)

Features

The numbering of the product features shown refers to the illustration of the tool on page 2, 3 and 5.

Rotational Laser Level

- 1** Shock-warning indicator
- 2** Shock-warning button
- 3** Automatic leveling indicator
- 4** On/Off button
- 5** Rotational speed selection
- 6** Variable laser beam
- 7** Reception lens for remote control

- 8** Exit opening for laser beam
- 9** Plumb beam
- 10** Rotation head
- 11** Line operation and length selection
- 12** Low Battery indicator
- 13** LR 24/LR 30 Laser Receiver*
- 14** Battery compartment
- 15** Battery compartment lock

- 16** 5/8"-11 tripod mount
- 17** Serial number
- 18** Laser warning label
- 19** Warning label, laser radiation exit opening (GRL 250 HV, GRL 300 HV, GRL 300 HVG only)
- 20** Remote control*
- 21** Tripod*
- 22** Leveling rod*
- 23** LR 1/LR 1 G Laser receiver*
- 24** Laser viewing glasses*

- 25** Wall mount/alignment unit*
- 26** Wall mount fastening screw*
- 27** Wall mount locking screw*
- 28** 5/8"-11 instrument mount*
- 29** Ceiling measurement plate*
- 30** Case

***Illustrated accessory may be optional on some models and not included in standard package.**

Operation

Initial Operation

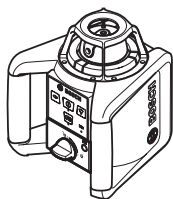
⚠ WARNING Protect the tool against moisture and direct sun irradiation.

Do not subject the tool to extreme temperatures or variations in temperature. As an example, do not leave it in vehicles for longer periods. In case of large variations in temperature, allow the tool to adjust to the ambient temperature before putting it into operation. In case of extreme temperatures or variations in temperature, the accuracy of the tool can be impaired.

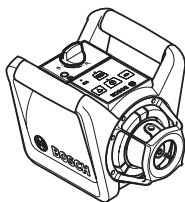
It is the user's responsibility to periodically check the accuracy of the measuring tool as work progresses. Always check the accuracy of the measuring tool after it has been dropped or subject to extreme temperatures and temperature variations.

Avoid heavy impact or and prevent the tool from falling. After heavy exterior impact on the tool, an accuracy check should always be carried out before continuing to work (see "Leveling Accuracy").

Setting Up the Tool



Horizontal position



Vertical position

Set up the laser tool on a sturdy surface in the horizontal or vertical position; mount it on a tripod **21** or to the wall mount with alignment unit **25**.

Due to the high leveling accuracy, the laser tool reacts sensitively to ground vibrations and position changes. Therefore, pay attention that the position of the laser tool is stable in order to avoid operational interruptions due to re-leveling.

Turning on the Tool

⚠ WARNING **DO NOT** direct the laser beam at persons or animals and do not stare into the laser beam yourself, not even from a large distance.

Do not leave the switched on laser tool unattended and switch the laser tool off after use. Serious eye injury could result from the laser beam.

Immediately after switching on, the laser tool sends out the vertical plumb beam **9** and the variable laser beam **6**.

For **switching on** the laser tool, press the On/Off button **4**. The indicators **1**, **3** and **12** light up briefly. The laser tool immediately starts the automatic leveling. During the leveling, the leveling indicator **3** lights up green and the laser flashes in point operation.

The laser tool is leveled in as soon as leveling indicator **3** lights up green continuously and the laser beam is steady. After the leveling is completed, the laser tool automatically starts in rotational operation.

With the operating mode buttons **5** and **11**, the operating modes can already be specified during leveling in (see "Operating Modes, page 13). In this case, the laser tool starts in the set operating mode upon completion of leveling in.

Turning off the Tool

To **switch off** the laser tool, press the On/Off button **4** again.

- **Do not leave the switched on laser tool unattended and switch the laser tool off after use.**

To save the batteries, the laser tool is automatically switched off when not within the self-leveling range for more than 2 h or when the shock warning is actuated for more than 2 h (see "Automatic Leveling"). Reposition the laser tool and switch it on again.

Working Advice

Always use the center of the laser point for marking. The size of the laser point changes with the distance.

Operating Modes

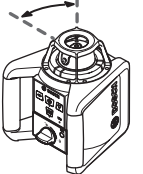
Overview

All three operating modes are possible with the laser tool in horizontal and vertical position.



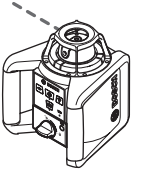
Rotational Operation

Rotational operation is especially recommended when using the laser receiver. You can select between different rotational speeds.



Line Operation

In this operation mode, the variable laser beam moves within a limited aperture angle. This increases the visibility of the laser beam in comparison to rotational operation. You can select between different aperture angles.



Point Operation

This operation mode enables the best visibility of the variable laser beam. As an example, it is used for easy projecting of heights or checking building lines.

Rotation Mode (150/300/600 min⁻¹)



Each time after switching on, the laser tool is in rotational operation mode with average rotational speed.

To switch from line operation to rotational operation, press the rotational operation button **5**.

Rotational operation starts with average rotational speed.

To change the rotational speed, press the rotational operation button **5** again until the requested speed is reached.

When working with the laser receiver, the highest rotational speed should be set. When working

without laser receiver, reduce the rotational speed for improved visibility of the laser beam and use the laser viewing glasses **24**.

Line Operation, Point Operation (10°/25°/50°, 0°)



To switch to line or point operation, press the line operation button **11**. The laser tool switches to line operation with the smallest aperture angle.

To change the aperture angle, press the line operation button **11**. The aperture angle is increased in two steps; at the same time, the rotational speed is increased with each step.

When pressing the line operation button **11** a third time, the laser tool switches to point operation after brief post-pulsation. Pressing button **11** again takes you back to line operation with the smallest aperture angle.

Note: Due to inertia, it is possible for the laser to slightly move beyond the end point of the laser line.

To position the laser line or the laser point within the rotational plane, manually turn the rotation head **10** to the requested position or use the remote control **20**.

Turning the Rotational Plane when in the Vertical Position

When the laser tool is in the vertical position, it is possible to rotate the laser point, laser line or rotational plane around the vertical axis with help of the remote control **20**. For this, observe the operating instructions of the remote control.

Leveling Accuracy

Automatic leveling

Overview

After switching on, the laser tool automatically detects the horizontal or vertical position. To change between the horizontal and vertical position, switch the laser tool off, reposition it and switch on again.

After switching on, the laser tool checks the horizontal and vertical position and automatically levels out any unevenness within the self-leveling range of approx. 8 % (5°).

When the laser tool is inclined by more than 8 % after switching on or after a position change, leveling in is no longer possible. In this case, the rotor is stopped, the laser flashes and leveling indicator **3** continuously lights up red. Reposition the laser tool and wait for it to re-level. Without repositioning, the laser is automatically switched off after 2 minutes and the laser tool after 2 hours.

When the laser tool is leveled in, it continuously checks the horizontal and vertical position. Automatic re-leveling takes place after position changes. To avoid faulty measurements, the rotor stops during the leveling process, the laser flashes and the leveling indicator **3** flashes green.

Shock-warning Function



The laser tool has a shock-warning function; after position changes or shock to the laser tool, or in case of ground vibrations, it keeps the laser tool from leveling in at changed heights, and thus prevents vertical errors.

To **switch on** the shock-warning function, press the shock-warning button **2**. The shock-warning indicator **1** continuously lights up green, and the shock-warning function is activated after 30 seconds.

When the leveling-accuracy range is exceeded after a position change of the laser tool or when heavy ground vibrations are detected, the shock-warning function is actuated: The rotation is stopped, the laser flashes, the leveling indicator **3** goes out and the shock-warning indicator **1** flashes red. The current operating mode is stored.

After the shock-warning function has actuated, press the shock-warning button **2**.

The shock-warning function is restarted and the laser tool starts the leveling. As soon as the laser tool is leveled in (leveling indicator **3** continuously lights up green), it starts in the stored operating mode. Now, check the height of the laser beam with a reference point and correct the height, if required.

When the function is not restarted by pressing button **2** after the shock-warning function has actuated, the laser is automatically switched off after 2 minutes and the laser tool after 2 hours.

To switch off the shock-warning function, press shock-warning button **2** once, or, when the shock warning is actuated (shock-warning indicator **1** flashing red) press it twice. When the shock-warning function is shut off, the shock warning indicator **1** goes out.

Influences on Accuracy

The ambient temperature has the greatest influence. Especially temperature differences occurring from the ground upward can divert the laser beam.

The deviations play a role in excess of approx. 65 ft measuring distance and can easily reach two to four times the deviation at 328 ft.

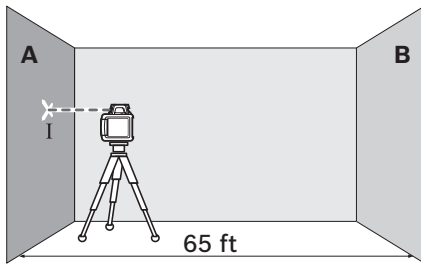
Because the largest difference in temperature layers is close to the ground, the laser tool should always be mounted on a tripod when measuring distances exceeding 65 ft. If possible, also set up the laser tool in the center of the work area.

Accuracy Check

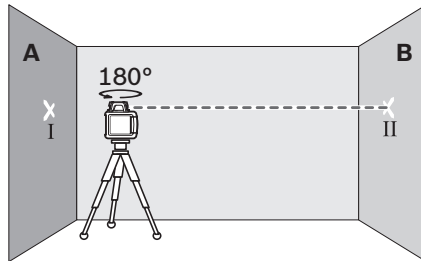
Apart from exterior influences, device-specific influences (such as heavy impact or falling down) can lead to deviations. Therefore, check the accuracy of the laser tool each time before starting your work.

For the accuracy check, an unobstructed measuring distance of 65 ft on firm ground between two walls A and B is required. With the laser tool in the horizontal position, a transit measurement is to be carried out across both axes X and Y (both positive and negative) (altogether 4 complete measurements).

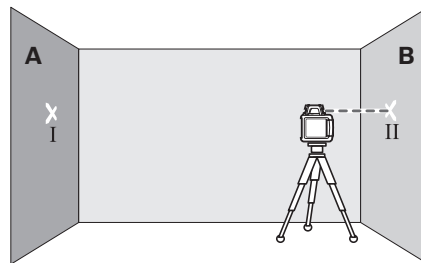
- Mount the laser tool in the horizontal position onto a tripod **21** (accessory) or place it on a firm and level surface near wall A. Switch the laser tool on.



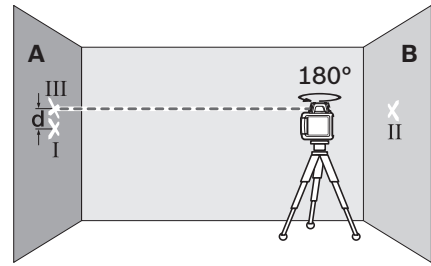
- After leveling, direct the laser beam in point operation onto the close wall A. Mark the center point of the laser beam on the wall (point I).



- Turn the laser tool around by 180°, allow it to level in and mark the center point of the laser beam on the opposite wall B (point II).
- Without turning the laser tool, position it close to wall B. Switch the laser tool on and allow it to level in.



- Align the height of the laser tool (using the tripod or by underlaying, if required) in such a manner that the center point of the laser beam is projected exactly against the previously marked point II on wall B.



- Rotate the laser tool by 180° without changing the height. Allow it to level in and mark the center point of the laser beam on wall A (point III). Take care that point III is as vertical as possible above or below point I.
- The difference d of both marked points I and III on wall A amounts to the actual deviation of the laser tool for the measured axis.

Repeat the measuring procedure for the other three axes. For this, turn the laser tool prior to each measuring procedure by 90°.

On the measuring section of $2 \times 65 \text{ ft} = 130 \text{ ft}$, the maximum allowable deviation is: $130 \text{ ft} \times \pm 0.0012 \text{ in/ft} = \pm 0.157 \text{ in}$ (For the GRL 240 HV, the maximum allowable deviation is: $130 \text{ ft} \times \pm 0.0024 \text{ in/ft} = \pm 0.314 \text{ in}$).

Consequently, the difference d between points I and III for each of the four individual measurements may not exceed 0.314 in max (For the GRL 240 HV, 0.628 in max).

If the laser tool should exceed the maximum deviation in anyone of the four measuring procedures, have it checked at a Bosch aftersales service agent.

Applications

Indicating a Plumb Line/Vertical Plane (see figure B)

To indicate a plumb line or a vertical plane, set up the laser tool in the vertical position.

When the vertical plane is supposed to run at a right angle to a reference line (e.g. a wall), then align the plumb beam **9** with this reference line.

The plumb line is indicated by the variable laser beam **6**.

Working without Laser Receiver (see figure C)

Under favorable light conditions (dark environment) and for short distances, it is possible to work without the laser receiver. For better visibility of the laser beam, either select line operation, or select point operation and manually rotate the rotation head **10** to the target location.

Working with the Laser Receiver (see figure D)

Under unfavorable light conditions (bright environment, direct sunlight) and for larger

distances, use the laser receiver for improved finding of the laser beam. When working with the laser receiver, select rotational operation with the highest rotational speed.

Measuring Over Long Distances (see figure E)




When measuring over long distances, the laser receiver must be used to find the laser beam. In order to reduce interferences, the laser tool should always be set up in the center of the work surface and on a tripod.

Working Outdoors (see figure F)

The laser receiver should always be used when working outdoors.

When working on unstable ground, mount the laser tool onto the tripod **21**. Activate the shock-warning function in order to avoid faulty measurements in case of ground vibrations or shock to the laser tool.

Overview of Indications

	Laser beam	Rotation of the laser*			
	green	red	green	red	
Switching on the measuring tool (1 s self-check)			●		●
Leveling in or re-leveling	2x/s	○	2x/s		
Measuring tool leveled in/ready for operation	●	●	●		
Self-leveling range exceeded	2x/s	○		●	
Shock-warning function activated				●	
Shock warning actuated	2x/s	○			2x/s
Battery voltage for ≤2 h operation					2x/s
Battery empty	○	○			●

* for line and rotational operation

2x/s Flashing frequency (twice per second)

● Continuous operation

○ Function stopped

Use with Accessories

Laser Viewing Glasses (Accessory)

⚠ WARNING **DO NOT use the laser viewing glasses as safety goggles.** The laser viewing glasses are used for improved visualization of the laser beam, but they do not protect against laser radiation.

DO NOT use the laser viewing glasses as sun glasses or in traffic. The laser viewing glasses do not afford complete UV protection and reduce color perception.

The laser viewing glasses filter out the ambient light. This makes the red light of the laser appear brighter for the eyes.

- Do not use the laser viewing glasses as safety goggles. The laser viewing glasses are used for improved visualization of the laser beam, but they do not protect against laser radiation.
- Do not use the laser viewing glasses as sun glasses or in traffic. The laser viewing glasses do not afford complete UV protection and reduce color perception.

Working with the Laser Receiver (Accessory)

⚠ WARNING **Have your measuring tool serviced by a qualified repair person using only identical replacement parts.** This will ensure that the safety of the tool is maintained.

Read and strictly observe the safety warnings in the operating instructions of the rotational laser.

Under unfavorable light conditions (bright environment, direct sunlight) and for larger distances, use the laser receiver for improved finding of the laser beam **23** and **13**.

When working with the laser receiver, select rotational operation with the highest rotational speed.

Before working with the laser receiver, read and observe the laser receiver operating instructions.

Working with the Remote Control (Accessory)

While pressing the operator buttons, the laser tool can be brought out of alignment so that the rotation is briefly stopped. This effect is avoided when using the remote control **20**.

Reception lenses **7** for the remote control are located on three sides of the laser tool (GRL 240 HV / GRL 245 HV has a single reception

lens located on the front of the laser tool), among other locations above the control panel on the front side.

Working with the Tripod (Accessory)

The laser tool is equipped with a 5/8" tripod mount for horizontal operation on a tripod.

Place the laser tool via the tripod mount **16** onto the 5/8" male thread of the tripod and screw the locking screw of the tripod tight.

On a tripod **21** with a measuring scale on the elevator column, the height difference can be adjusted directly.

Working with Wall Mount/Alignment Unit (Accessory) (see figure A)

You can also mount the laser tool to the wall mount with alignment unit **25**. For this, screw the 5/8" screw **28** of the wall mount into the tripod mount **16** of the laser tool.

Mounting to a wall: Mounting to a wall is recommended, e.g., for work above the elevation height of tripods or for work on unstable surfaces and without tripod. For this, fasten the wall mount **25**, with the laser tool mounted, as vertical as possible to a wall.

For mounting to the wall, you can either fasten the wall mount **25** with fastening screw **26** to a lath (width maximal 8 mm) or hang it up with two hooks.

Mounting on a tripod: The wall mount **25** can also be screwed onto a tripod with the tripod mount on the back side. This method of fastening is especially recommended for work where the rotational plane is to be aligned with a reference line.

With the alignment unit, the mounted laser tool can be moved vertically (when mounted to the wall) or horizontally (when mounted to a tripod) within a range of approx. 16 cm. For this, loosen screw **27** on the alignment unit, move the laser tool to the desired position, and retighten screw **27** again.

Working with the Ceiling Measurement Plate (see figure A)

As an example, the ceiling measurement plate **29** can be used for easy height adjustment of drop ceilings. Fasten the ceiling measurement plate with the magnetic holder, e.g., to a beam.

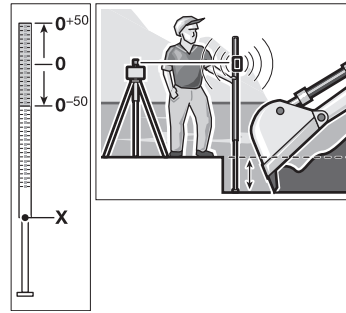
The reflecting half of the ceiling measurement plate improves the visibility of the laser beam in unfavorable conditions; the laser beam can also be seen from the rear side through the transparent half.

Working with the Measuring Rod (Accessory) (see figure F)

⚠ DANGER Do not operate during storms or near high voltage. Risk of being struck by lightning or electrocution.

Keep at a safe distance from electrical installations. When it is essential to work in this environment, first contact the safety authorities responsible for the electrical installations and follow their instructions.

For checking irregularities or projecting gradients, it is recommended to use the measuring rod **22** together with the laser receiver.



A relative millimeter scale (± 50 cm) is marked on the top of the measuring rod **22**. Its zero height can be preset at the bottom of the elevator column. This allows for direct reading of deviations from the specified height.

Maintenance and Service

⚠ WARNING Store and transport the tool only in the supplied protective case.

Check the tool each time before using.

Keep the tool clean and dry at all times to ensure proper and safe operation.

Do not immerse the tool into water or other fluids.

Wipe off debris using a moist and soft cloth. Do not use any cleaning agents or solvents.

Regularly clean the surfaces at the exit opening of the laser.

In case of visible damage or loose components in the interior of the tool, the safe function is no longer ensured.

If the tool should fail despite the care taken in manufacturing and testing procedures, repair should be carried out by an authorized after-sales service center for Bosch power tools.

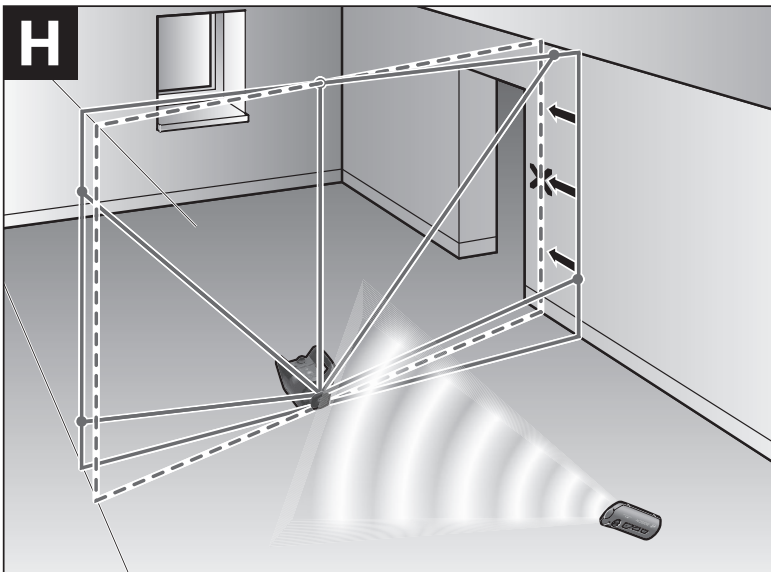
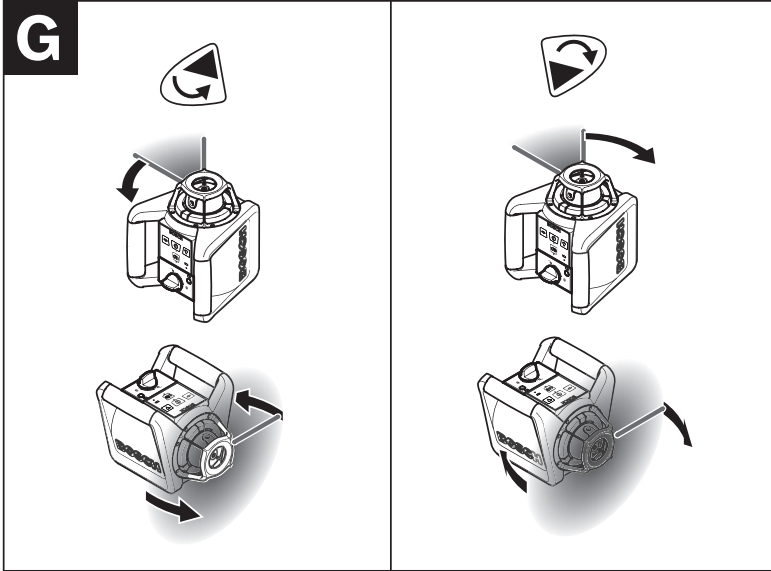
In all correspondence and spare parts orders, please always include the 10-digit article number given on the type plate of the tool.

In case of repairs, send in the tool packed in its protective case **30**.

ENVIRONMENT PROTECTION

Recycle raw materials & batteries instead of disposing of waste. The unit, accessories, packaging & used batteries should be sorted for environmentally friendly recycling in accordance with the latest regulations.





RC1 General Safety Rules



Read and observe all instructions.

SAVE THESE INSTRUCTIONS FOR FUTURE REFERENCE.

- **Have the remote control repaired only through a qualified repair person and only using identical replacement parts. This will ensure that the functionality of the remote control is maintained.**
- **Do not operate the remote control in explosive atmospheres, such as in the presence of flammable liquids, gases or dusts.** Sparks can be created in the remote control which may ignite the dust or fumes.
- **Read and strictly observe the safety warnings in the operating instructions of the rotational laser.**

RC1 Intended Use

The remote control is intended for controlling rotational laser levels in indoor and outdoor use.

RC1 Preparation

Inserting/Replacing the Battery

Using alkali-manganese batteries is recommended for operation of the remote control.

To open the battery lid **8A**, press the latch **9A** in the direction of the arrow and remove the battery lid. Insert the battery provided.

When inserting, pay attention to the correct polarity according to the representation on the inside of the battery compartment.

- **Remove the battery from the remote control when not using it for longer periods.** When storing for longer periods, the battery can corrode and discharge itself.

RC1 Technical Data

Remote control	RC1
Working range ¹⁾	100 ft (30 m)
Operating temperature	-10 °C ~ +50 °C
Storage temperature	-20 °C ~ +70 °C
Battery	1 x 1.5 V LR06 (AA)
Weight according to EPTA-Procedure 01/2003	2.4 oz. (69 g)

1) The working range can be decreased by unfavorable environmental conditions (e.g. direct sun irradiation).

Please observe the article number on the type plate of your remote control.

The trade names of individual remote controls may vary.

For clear identification of your remote control, see the serial number **10A** on the type plate.

RC1 Features

The numbering of the product features refers to the illustrations on the remote control graphics page 18.

- 1A** Button for rotational operation and selection of the rotation speed
- 2A** Button for line operation and line length selection
- 3A** Shock-warning reset button
- 4A** Button for “rotation in clockwise direction”

- 5A** Button for “rotation in anticlockwise direction”
- 6A** Operation indicator
- 7A** Outlet opening for infra-red beam
- 8A** Battery lid
- 9A** Latch of battery lid
- 10A** Serial number

The accessories illustrated or described are not included as standard delivery.

RC1 Operation

Initial Operation

- **Protect the remote control against moisture and direct sunlight.**
- **Do not subject the remote control to extreme temperatures or variations in temperature.** As an example, do not leave it in vehicles for longer periods. In case of large variations in temperature, allow the remote control to adjust to the ambient temperature before putting it into operation.

The remote control remains ready for operation as long as a battery with sufficient voltage is inserted.

Set up the rotational laser in such a manner that the signals of the remote control directly reach one of the reception lenses on the rotational laser (for this, see the operating instructions of the rotational laser). When the remote control cannot be pointed directly against a reception lens, the working range is reduced. By reflecting the signal (e.g. against walls), the working range can be improved, even for indirect signals.

After pressing a button on the remote control, the illuminated operation indicator **6A** indicates that a signal was sent out.

Switching the rotational laser on/off with the remote control is not possible.

RC1 Operating Modes

For detailed information of the rotational laser functions, see the operating instructions of the rotational laser.



Rotational Operation (150/300/600 min-1)

The function of the button for rotational operation **1A** on the remote control is identical with that on the rotational laser.

Each time after switching on, the rotational laser is in rotational operation mode with average rotational speed.

To switch from line operation to rotational operation, press the rotational operation button **1A**. Rotational operation starts with average rotational speed.

To change the rotational speed, press the rotational operation button **1A** again until the requested speed is reached.



Line Operation, Point Operation (10°/25°/50°, 0°)

The function of the button for line operation **2A** on the remote control is identical with that on the rotational laser.

To switch to line or point operation, press the line operation button **2A**. The rotational laser switches to line operation with the smallest aperture angle.

To change the aperture angle, press the line operation button **2A**. The aperture angle is increased in two steps; at the same time, the rotational speed is increased with each step. When pressing the line operation button **2A** a third time, the rotational laser switches to point operation after brief post-pulsation. Pressing button **2A** again takes you back to line operation with the smallest aperture angle.

Note: Due to inertia, it is possible for the laser to slightly move beyond the end point of the laser line.



Rotating the Laser Line/ Laser Dot or the Rotational Plane (see figure G)

Rotating the laser line/laser dot or the rotational plane is possible only with the remote control.

When the rotational laser is in the **horizontal position**, the laser line (in line operation) or the laser dot (in point operation) can be positioned within the rotational plane of the laser. Rotation is possible by 360°.

Press button **4A** to rotate in clockwise direction, and button **5A** to rotate in counter-clockwise direction. In rotational operation, pressing the buttons has no effect.

When the rotational laser is in the **vertical position**, it is possible to rotate the laser point, laser line or rotational plane around the vertical axis. Rotating is possible only within the self-leveling range (5° toward the left or right).

Press button **4A** to rotate in clockwise direction, and button **5A** to rotate in counter-clockwise direction.



Reset Shock-warning Function

The rotational laser has a shock-warning function; after position changes or shock to the rotational laser, or in case of ground vibrations, it keeps the rotational laser from leveling in at changed heights, and thus prevents vertical errors.

Switching the shock-warning function on and off is possible only on the rotational laser. Once the shock-warning function has actuated, it can be restarted via the remote control.

After actuation of the shock-warning function, the rotation of the laser is stopped, the laser flashes, the leveling indicator goes out, and the shock-warning indicator flashes red. The current operating mode is stored.

After the shock-warning function has actuated, press the shock warning reset button **3A**. The shock-warning function is restarted and the rotational laser starts leveling. As soon as the rotational laser is levelled in (the leveling indicator on the rotational laser continuously lights up green), it starts in the stored operating mode. Now, check the height of the laser beam with a reference point and correct the height, if required.

RC1 Applications

Application Example

Turning the Rotational Plane when in the Vertical Position (see figure H)

To align the vertical laser line or the rotational plane against a reference point on a wall, set up the rotational laser in the vertical position, and roughly align the laser

line or the rotational plane with the reference point. For precise alignment with the reference point, press button **4A** (clockwise rotation) or **5A** (counterclockwise rotation).

RC1 Maintenance and Service

Maintenance and Cleaning

Keep the remote control clean at all times.

Do not immerse the remote control into water or other fluids.

Wipe off debris using a moist and soft cloth. Do not use any cleaning agents or solvents.

If the remote control should fail despite the care taken in manufacture and testing, repair should be carried out by an authorized customer services agent for Bosch power tools. Do not open the remote control yourself.

In all correspondence and spare parts orders, please always include the 10-digit article number given on the type plate of the remote control.

ENVIRONMENT PROTECTION

Recycle raw materials & batteries instead of disposing of waste. The unit, accessories, packaging & used batteries should be sorted for environmentally friendly recycling in accordance with the latest regulations.



LIMITED WARRANTY OF BOSCH LASER AND MEASURING TOOL PRODUCTS

Robert Bosch Tool Corporation ("Seller") warrants to the original purchaser only, that all Bosch lasers and measuring tools will be free from defects in material or work-manship for a period of one (1) year from date of purchase. Bosch will extend warranty coverage to two (2) years when you register your product within eight (8) weeks after date of purchase. Product registration card must be complete and mailed to Bosch (postmarked within eight weeks after date of purchase), or you may register on-line at www.boschtools.com/Service/ProductRegistration. If you choose not to register your product, a one (1) year limited warranty will apply to your product.

30 Day Money Back Refund or Replacement -

If you are not completely satisfied with the performance of your laser and measuring tools, for any reason, you can return it to your Bosch dealer within 30 days of the date of purchase for a full refund or replacement. To obtain this 30-Day Refund or Replacement, your return must be accompanied by the original receipt for purchase of the laser or optical instrument product. A maximum of 2 returns per customer will be permitted.

SELLER'S SOLE OBLIGATION AND YOUR EXCLUSIVE REMEDY under this Limited Warranty and, to the extent permitted by law, any warranty or condition implied by law, shall be the repair or replacement of parts, without charge, which are defective in material or workmanship and which have not been misused, carelessly handled, or misrepaired by persons other than Seller or Authorized Service Center. To make a claim under this Limited Warranty, you must return the complete Bosch laser or measuring tool, transportation prepaid, to any BOSCH Factory Service Center or Authorized Service Center. Please include a dated proof of purchase with your tool. For locations of nearby service centers, please use our on-line service locator or call 1-877-267-2499.

THIS WARRANTY PROGRAM DOES NOT APPLY TO TRIPODS AND RODS. Robert Bosch Tool Corporation ("Seller") warrants tripods and leveling rods for a period of one (1) year from date of purchase.

THIS LIMITED WARRANTY DOES NOT APPLY TO OTHER ACCESSORY ITEMS AND RELATED ITEMS. THESE ITEMS RECEIVE A 90 DAY LIMITED WARRANTY.

To make a claim under this Limited Warranty, you must return the complete product, transportation prepaid. For details to make a claim under this Limited Warranty please visit www.boschtools.com or call 1-877-267-2499.

ANY IMPLIED WARRANTIES SHALL BE LIMITED IN DURATION TO ONE YEAR FROM DATE OF PURCHASE. SOME STATES IN THE U.S., AND SOME CANADIAN PROVINCES DO NOT ALLOW LIMITATIONS ON HOW LONG AN IMPLIED WARRANTY LASTS, SO THE ABOVE LIMITATION MAY NOT APPLY TO YOU.

IN NO EVENT SHALL SELLER BE LIABLE FOR ANY INCIDENTAL OR CONSEQUENTIAL DAMAGES (INCLUDING BUT NOT LIMITED TO LIABILITY FOR LOSS OF PROFITS) ARISING FROM THE SALE OR USE OF THIS PRODUCT. SOME STATES IN THE U.S., AND SOME CANADIAN PROVINCES DO NOT ALLOW THE EXCLUSION OR LIMITATION OF INCIDENTAL OR CONSEQUENTIAL DAMAGES, SO THE ABOVE LIMITATION MAY NOT APPLY TO YOU.

THIS LIMITED WARRANTY GIVES YOU SPECIFIC LEGAL RIGHTS, AND YOU MAY ALSO HAVE OTHER RIGHTS WHICH VARY FROM STATE TO STATE IN THE U.S., OR PROVINCE TO PROVINCE IN CANADA AND FROM COUNTRY TO COUNTRY.

THIS LIMITED WARRANTY APPLIES ONLY TO PRODUCTS SOLD WITHIN THE UNITED STATES OF AMERICA, CANADA AND THE COMMONWEALTH OF PUERTO RICO. FOR WARRANTY COVERAGE WITHIN OTHER COUNTRIES, CONTACT YOUR LOCAL BOSCH DEALER OR IMPORTER.

Consignes générales de sécurité



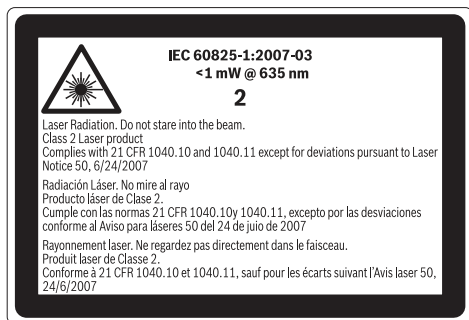
Lisez toutes les instructions. Le non-respect de toutes les instructions figurant ci-dessous risquerait de causer une exposition dangereuse

aux rayonnements, un choc électrique, un incendie et/ou des blessures graves. L'expression « instrument de topologies » dans tous les avertissements figurant plus bas fait référence à votre instrument de mesure, de détection et de tracé de topologies branché sur le secteur (avec cordon) ou à votre instrument de mesure, de détection et de tracé de topologies à piles (sans fil).

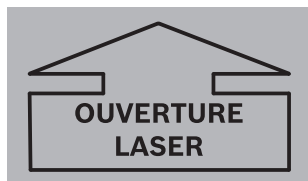
Les étiquettes suivantes ont été apposées sur votre outil laser à des fins de sécurité et de commodité. Elles indiquent où la lumière laser est émise par l'outil. IL FAUT TOUJOURS SAVOIR où cette lumière est émise lors de l'utilisation de l'outil.

GRL 240 HV / GRL 245 HV

Cet appareil de mesure est fourni avec une plaque d'avertissement en langue anglaise (dans la représentation de l'appareil de mesure se trouvant sur la page des graphiques elle est marquée du numéro **18**).



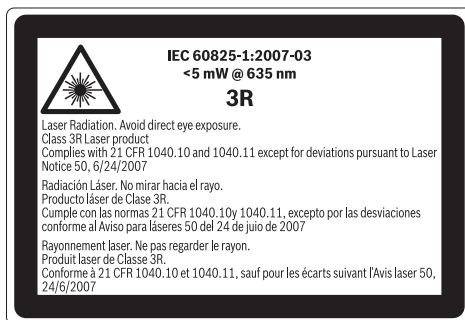
Les étiquettes suivantes sont apposées sur votre instrument laser pour votre commodité et votre sécurité. Elles indiquent où la lumière laser est émise par le instrument. IL FAUT TOUJOURS CONNAÎTRE sa position lors de l'utilisation du instrument.



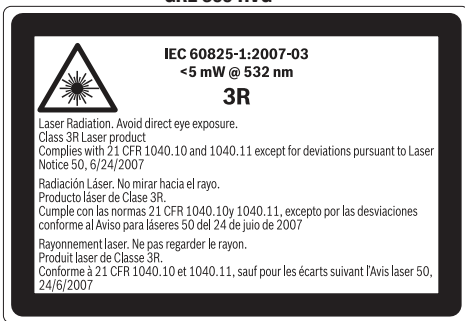
Conforme à 21 CFR 1040.10 et 1040.11, sauf pour les écarts suivant l'Avis laser 50, 24/6/2007. Utilisez l'outil correct pour votre application.

GRL 250 HV / GRL 300 HV

Cet appareil de mesure est fourni avec deux plaques d'avertissement en langue anglaise (dans la représentation de l'appareil de mesure se trouvant sur la page des graphiques, elles portent les numéros **18** et **19**).



GRL 300 HVG



Ne dirigez pas le faisceau laser en direction de personnes ou d'animaux, et ne regardez pas directement le faisceau laser vous-même. Cet instrument produit des rayonnements laser de classe 2 et est conforme aux normes 21 CFR 1040.10 et 1040.11, à l'exception des déviations en vertu de l'Avis latif au laser N° 50 daté du 24 juin 2007. Ceci risquerait de causer l'aveuglement des personnes affectées.

NE RETIREZ PAS et n'effacez pas des étiquettes d'avertissement ou de mise en garde. Le retrait de telles étiquettes augmente le risque d'exposition aux rayonnements laser. L'emploi de commandes ou de réglages autres que ceux qui sont indiqués dans ce mode d'emploi risquerait de causer une exposition dangereuse aux rayonnements.

ASSUREZ-VOUS TOUJOURS que les personnes présentes aux environs de l'endroit où vous employez cet instrument sont au courant des dangers résultant de l'observation directe du faisceau laser.

NE PLACEZ PAS l'instrument dans une position telle que cela permettrait à quiconque de regarder directement le faisceau laser intentionnellement ou non. Ceci risquerait de causer des blessures graves aux yeux.

POSITIONNEZ TOUJOURS l'instrument de façon qu'il soit stable. La chute de l'instrument risquerait d'endommager ce dernier et/ou de causer des blessures graves à son utilisateur.

N'UTILISEZ TOUJOURS que les accessoires qui sont recommandés par le fabricant de votre instrument. L'utilisation d'accessoires ayant été conçus en vue d'emploi avec d'autres outils laser pourrait causer de graves blessures ou une performance insatisfaisante.

N'UTILISEZ PAS cet instrument dans un but autre que ceux qui sont indiqués dans ce mode d'emploi. Ceci risquerait de causer des blessures graves.

NE LAISSEZ PAS l'instrument allumé (« ON ») sans surveillance dans un mode de fonctionnement quelconque.

NE DÉMONTÉZ PAS l'instrument. Il ne contient aucune pièce pouvant être réparée par l'utilisateur. Ne modifiez ce produit en aucune façon. Toute modification de cet instrument risquerait de causer une exposition dangereuse aux rayonnements.

N'UTILISEZ PAS les verres de visionnement du laser à la place de lunettes de protection. Les verres de visionnement du laser sont utilisés pour améliorer la visualisation du faisceau laser, mais ils ne protègent pas contre les rayonnements laser.

N'UTILISEZ PAS pas les verres de visionnement du laser en guise de lunette de soleil ou lorsque vous conduisez un véhicule. Ces verres n'assurent pas une protection complète contre les rayons UV et ils réduisent la perception des couleurs.

N'UTILISEZ PAS d'instruments optiques tels, que, entre autres, des télescopes ou des lunettes d'astronome pour regarder le faisceau laser. Ceci risquerait de causer des blessures graves aux yeux.

NE FIXEZ PAS directement des yeux le faisceau laser et ne projetez pas la faisceau laser directement dans les yeux d'autres personnes. Ceci risquerait de causer des blessures graves aux yeux.

CONSERVEZ CES INSTRUCTIONS.

Déclaration de la FCC

Ce produit a été testé et déclaré conforme aux limites autorisées pour un appareil numérique de Classe B, conformément à la Partie 15 des règles de la FCC. Ces limites sont conçues pour fournir une protection raisonnable contre toute interférence nuisible dans une installation résidentielle. Cet équipement génère, utilise et peut émettre une énergie de fréquence radio et, s'il n'est pas installé et utilisé conformément aux instructions, il peut causer des interférences nuisibles avec les communications radio. Toutefois, il n'existe aucune garantie qu'aucune interférence ne surviendra dans une installation particulière. Si cet équipement se révèle causer une interférence nuisible à la réception radio ou de télévision, qui peut être déterminée en mettant l'équipement hors et sous tension, on encourage l'utilisateur à essayer de corriger l'interférence par l'une ou plusieurs des mesures suivantes:

- Réorientation ou déplacement de l'antenne de réception.
- Augmentation de la distance de séparation entre l'équipement et le récepteur.
- Consultation auprès du revendeur ou d'un technicien radio/TV expérimenté pour assistance.

CONSERVEZ CES INSTRUCTIONS.

Déclaration de conformité

Nous déclarons sous notre propre responsabilité que le produit décrit sous « Caractéristiques Techniques » est en conformité avec les normes ou documents normatifs suivants : EN 61010-1, EN 60825-1 (instruments de mesure) et/ou EN 60950-1 (chargeurs d'accumulateurs), conformément aux réglementations des directives 2006/95/CE, 2004/108/CE, 2006/42/CE.

SÉCURITÉ SUR LE LIEU DE TRAVAIL

Maintenez votre lieu de travail propre et bien éclairé. Les lieux de travail encombrés ou sombres invitent les accidents.

N'UTILISEZ PAS l'instrument laser à proximité d'enfants, et ne laissez pas des enfants se servir de l'instrument laser. Cela risquerait de produire des blessures graves aux yeux.

NE PAS utiliser d'outils de mesures, de compléments ou d'accessoires à l'extérieur en cas de risque d'éclairs.

SÉCURITÉ ÉLECTRIQUE

Les piles risquent d'exploser ou de fuir, et de causer des blessures ou un incendie. Afin de réduire ce risque, suivez toujours toutes les instructions et tous les avertissements figurant sur l'étiquette des piles et sur l'emballage.

NE COURT-CIRCUITEZ PAS de bornes des piles.

NE RECHARGEZ PAS des piles alcalines.

NE MÉLANGEZ PAS des piles neuves et des piles usagées. Remplacez toutes les piles en même temps par des piles neuves de la même marque et du même type.

NE MÉLANGEZ PAS des piles ayant des compositions chimiques différentes.

Jetez ou recyclez les piles conformément aux règlements du code local.

NE JETEZ PAS des piles dans un feu.

Gardez les piles hors de la portée des enfants. Retirez les piles si vous ne pensez pas utiliser cet instrument pendant plusieurs mois.

Retirez les piles de l'outil lorsque vous ne pensez pas l'utiliser pendant une période prolongée. Si vous rangez l'outil pendant une période prolongée avec les piles à l'intérieur, celles-ci risquent de se corroder et de se décharger.

SÉCURITÉ PERSONNELLE

Restez alerte, surveillez ce que vous êtes en train de faire et faites preuve de bons sens lorsque vous utilisez un quelconque outil. N'utilisez pas un outil pendant que vous êtes fatigué(e) ou sous l'influence de drogues, d'alcool ou de médicaments. Un moment d'inattention pendant que vous vous servez d'un outil risquerait de causer de graves blessures personnelles ou de produire des résultats de mesures imprécis.

Utilisez des équipements de sécurité. Portez toujours une protection des yeux. Des équipements tels que des masques

antipoussières, des chaussures de sécurité antidérapantes, un casque ou une protection des oreilles utilisés pour les conditions appropriées réduiront les blessures corporelles.

Prenez toutes les précautions nécessaires lorsque vous utilisez des outils de mesure à proximité de pointe de danger électrique.

Portez des dispositifs de protection pour les yeux. En cas de fuites du niveau à bulle, absorbez le liquide avec un matériau absorbant approprié et jetez-le en toute sécurité. Le niveau à bulle contient un liquide inflammable qui peut causer des irritations des voies respiratoires, des yeux et de la peau.

INFORMATIONS CONCERNANT LE NIVEAU SONORE.

⚠ AVERTISSEMENT Ne placez pas l'outil de mesure à proximité de vos oreilles! Une blessure grave pourrait en résulter. Typiquement, le niveau de pression sonore pondéré A à une distance d'un mètre est de 75-85 db(A). Les valeurs sonores mesurées sont déterminées conformément à EN60745.

UTILISATION ET ENTRETIEN

Utilisez l'outil correct pour votre application. L'instrument de mesure, de détection et de tracé de topologies correct vous permettra de faire un meilleur travail et avec plus de sécurité à la vitesse pour laquelle il a été conçu.

N'utilisez pas cet instrument si l'interrupteur ne s'allume pas ou ne s'éteint pas. Un instrument qui ne peut pas être contrôlé par son interrupteur est dangereux et doit être réparé.

Rangez l'instrument hors de la portée des enfants lorsque vous ne vous en servez pas, et ne laissez pas de personnes ne connaissant pas bien cet instrument ou n'ayant pas lu ce mode d'emploi mettre l'outil en marche. De tels instruments pourraient être dangereux entre les mains d'utilisateurs n'ayant pas reçu la formation nécessaire à leur utilisation.

Entretenez vos instruments. Assurez-vous que les pièces sont alignées correctement et que les pièces mobiles ne se coincent pas, qu'il n'y a pas de pièces brisées ou d'autres conditions pouvant affecter le fonctionnement. Réparez tout instrument endommagé avant de vous en servir. De nombreux accidents par des instruments de mesure, de détection et de tracé de topologies mal entretenus.

Utilisez l'outil, les accessoires, etc. conformément à ce mode d'emploi et de la manière prévue pour le type particulier d'instrument, en tenant compte des conditions de travail à réaliser. L'emploi de cet instrument pour des opérations différentes de celles qui sont indiqués dans le mode d'emploi risquerait de causer une situation dangereuse.

SERVICE APRÈS-VENTE

Faites réparer votre instrument par un réparateur agréé n'utilisant que des pièces de rechange identiques. Ceci assurera le respect des prescriptions de sécurité pour l'instrument.

Préparez un calendrier de maintenance périodique pour l'instrument. Lorsque vous nettoyez un instrument, faites attention de ne pas démonter une partie quelconque de l'instrument

étant donné que des fils internes risqueraient d'être déplacés ou pincés, ou qu'ils pourraient être remontés de façon incorrecte. Certains produits de nettoyage tels que de l'essence, du tétrachlorure de carbone, de l'ammoniac, etc. risqueraient d'endommager les composants en plastique.

CONSERVEZ CES INSTRUCTIONS.

Emploi prévu

Utilisation conforme Laser rotatif

L'appareil de mesure est conçu pour la détermination et le contrôle de tracés et plans parfaitement horizontaux, de lignes verticales, d'alignements et de points d'aplomb.

L'appareil de mesure est approprié pour une utilisation en intérieur et en extérieur.

⚠ AVERTISSEMENT Il n'est possible de travailler en toute sécurité avec le laser rotatif qu'après avoir lu complètement les informations relatives à l'utilisation et à la sécurité et que si toutes les instructions contenues aux présentes sont rigoureusement respectées. Ne rendez jamais illisibles les étiquettes d'avertissement figurant sur le laser rotatif.

L'utilisation de commandes, la réalisation de réglages ou l'exécution de procédures autres que celles qui sont indiquées aux présentes peut entraîner une exposition à des rayonnements dangereux.

L'utilisation d'instruments optiques avec ce produit augmentera les risques de lésions oculaires.

Ne faites réparer le laser rotatif que par un spécialiste qualifié utilisant des pièces de rechange d'origine. Ceci assurera la sécurité du laser rotatif à l'avenir.

Ne laissez pas des enfants utiliser le laser rotatif sans supervision. Ils risqueraient d'aveugler accidentellement d'autres personnes.

N'utilisez pas les lunettes pour laser à la place de lunettes de sécurité. Les lunettes pour laser sont utilisées pour améliorer la visualisation du faisceau laser, mais elles ne protègent pas contre les rayonnements laser.

N'utilisez pas les lunettes pour laser à la place de lunettes de soleil ou pour conduire. Les lunettes pour laser ne fournissent pas une protection complète contre les rayons UV et réduisent la perception des couleurs.

Préparation

Mise en place/changement des piles

⚠ AVERTISSEMENT Éteignez TOUJOURS le laser et coupez l'alimentation électrique au niveau de l'interrupteur principal avant de retirer et de remplacer les piles.

Des piles alcalines sont recommandées pour l'outil.

Remplacez toujours toutes les piles au même moment. N'utilisez que des piles de la même marque et ayant une capacité identique.

Retirez les piles de l'outil lorsque vous ne pensez pas l'utiliser pendant une période prolongée. Si vous rangez l'outil pendant une période prolongée avec les piles à l'intérieur, celles-ci risquent de se corroder et de se décharger.

Il incombe à l'utilisateur de vérifier périodiquement l'exactitude de l'outil de mesure pendant la réalisation d'une tâche.

Vérifiez toujours l'exactitude de l'outil de mesure après une chute ou s'il a été soumis à des températures extrêmes ou à des variations importantes de la température.

Pour ouvrir le compartiment à piles **14**, tournez le blocage **15** en position  et retirez le compartiment à piles.

Remplacez toujours toutes les piles en même temps. N'utilisez que des piles de la même marque avec la même capacité.

Fermez le compartiment à piles **14** et tournez le blocage **15** en position .

Si des piles ont été insérées dans le mauvais sens, l'appareil de mesure fonctionnera pas. Respectez la polarité en insérant les piles.

⚠ AVERTISSEMENT Sortez les piles de l'appareil de mesure au cas où l'appareil ne serait pas utilisé pendant une période prolongée. En cas de stockage prolongé, les piles peuvent se corroder et se décharger.

Indicateur de décharge partielle des piles

Si le voyant lumineux indiquant l'état de charge **12** se met à clignoter rouge pour la première fois, l'appareil de mesure peut continuer à fonctionner pendant 2 heures.

Si le voyant lumineux indiquant l'état de charge **12** reste constamment allumé rouge, il n'est plus possible d'effectuer des mesures. L'appareil de mesure s'arrête automatiquement au bout d'une minute.

Données techniques

	GRL 240 HV	GRL 245 HV	GRL 250 HV
Plage de travail (Diamètre) ¹⁾ –sans récepteur, env.	60 m 200 ft	60 m 200 ft	60 m 200 ft
–avec récepteur, env	240 m 800 ft	240 m 800 ft	300 m 1000 ft
Précision de nivellement ^{1) 2)}	± 2.0 mm @ 10 m ± 1/4" @ 100 ft	± 1.0 mm @ 10 m ± 1/8" @ 100 ft	± 1.0 mm @ 10 m ± 1/8" @ 100 ft
Plage typique de nivellement automatique	± 8% (± 5°)	± 8% (± 5°)	± 8% (± 5°)
Temps typique de nivellement	15 s	15 s	15 s
Vitesse de rotation	150/300/600min ⁻¹	150/300/600min ⁻¹	150/300/600min ⁻¹
Angle d'ouverture en mode traçage de lignes	10°/25°/50°	10°/25°/50°	10°/25°/50°
Température de fonctionnement	0...+50°C	0...+50°C	0...+50°C
Température de stockage	-20...+70°C	-20...+70°C	-20...+70°C
Humidité relative de l'air max.	90 %	90 %	90 %
Classe laser	2	2	3R
Type de laser	635nm, <1mW	635nm, <1mW	635nm, <5mW
Ø Faisceau laser à l'orifice de sortie env. ¹⁾	5mm	5mm	5mm
Raccord de trépied (horizontal)	5/8"-11	5/8"-11	5/8"-11
Piles (alcalines au manganèse)	2 x 1.5 VD (LR20)	2 x 1.5 VD (LR20)	2 x 1.5 VD (LR20)
Autonomie env. –Piles (alcalines au manganèse) ¹⁾	50 h	50 h	50 h
Poids suivant EPTA-Procédure 01/2003	1.8 kgs	1.8 kgs	1.8 kgs
Dimensions	190 x 180 x 170 mm	190 x 180 x 170 mm	190 x 180 x 170 mm
Type de protection	IP54 (étanche à la poussière et aux projections d'eau)	IP54 (étanche à la poussière et aux projections d'eau)	IP54 (étanche à la poussière et aux projections d'eau)

1) pour 20°C

2) le long des axes

Le numéro de série **17** qui se trouve sur la plaque signalétique permet une identification précise de votre appareil.

Attention au numéro d'article se trouvant sur la plaque signalétique de l'appareil de mesure. Les désignations commerciales des différents appareils peuvent varier.

	GRL 300 HV	GRL 300 HVG
Plage de travail (Diamètre) ¹⁾ –sans récepteur, env.	60 m 200 ft	100 m 330 ft
–avec récepteur, env.	300 m 1000 ft	300 m 1000 ft
Précision de nivellement ^{1) 2)}	± 1.0 mm @ 10 m ± 1/8" @ 100 ft	± 1.0 mm @ 10 m ± 1/8" @ 100 ft
Plage typique de nivellement automatique	± 8% (± 5°)	± 8% (± 5°)
Temps typique de nivellement	15 s	15 s
Vitesse de rotation	150/300/600min ⁻¹	150/300/600min ⁻¹
Angle d'ouverture en mode traçage de lignes	10°/25°/50°	10°/25°/50°
Température de fonctionnement	0...+50°C	0...+40°C
Température de stockage	-20...+70°C	-20...+70°C
Humidité relative de l'air max.	90 %	90 %
Classe laser	3R	3R
Type de laser	635nm, <5mW	532nm, <5mW
Ø Faisceau laser à l'orifice de sortie env. ¹⁾	5mm	5mm
Raccord de trépied (horizontal)	5/8"-11	5/8"-11
Piles (alcalines au manganèse)	2 x 1.5 VD (LR20)	2 x 1.5 VD (LR20)
Autonomie env. –Piles (alcalines au manganèse) ¹⁾	50 h	30 h
Poids suivant EPTA-Procédure 01/2003	1.8 kgs	1.8 kgs
Dimensions	190 x 180 x 170 mm	190 x 180 x 170 mm
Type de protection	IP54 (étanche à la poussière et aux projections d'eau)	IP54 (étanche à la poussière et aux projections d'eau)

Features

La numérotation des éléments de l'appareil se réfère à la représentation du laser rotatif et du chargeur sur les pages graphiques.

Niveau a laser rotatif

- 1** Voyant d'alerte fonction anti-chocs
- 2** Touche d'alerte anti-chocs
- 3** Affichage nivellement automatique
- 4** Interrupteur Marche/Arrêt laser rotatif

- 5** Touche du mode rotation et du choix de la vitesse de rotation
- 6** Faisceau laser en rotation
- 7** Cellule de réception pour télécommande
- 8** Orifice de sortie du faisceau laser

- 9** Faisceau d'aplomb
- 10** Tête de rotation
- 11** Touche du mode traçage de lignes et du choix de la longueur de ligne
- 12** L'indicateur bas de pile

- 13** LR 24/LR 30 Récepteur* (l'accessoire facultatif sur quelques modèles)
- 14** Compartiment à piles
- 15** Blocage du compartiment à piles

16 Raccord de trépied 5/8"

17 Numéro de série

18 Plaque signalétique du laser

19 Plaque signalétique orifice de sortie du faisceau laser (GRL300HVG,

GRL300HV, GRL 250 HV)

20 Télécommande*

21 Trépied*

22 Platine de mesure du laser de chantier*

23 LR 1/LR 1 G Récepteur*

24 Lunettes de vision du faisceau laser*

25 Dispositif de fixation murale/unité d'alignement*

26 Vis de fixation du dispositif de fixation murale*

27 Vis de l'unité d'alignement*

28 Vis 5/8-11 sur le dispositif de fixation murale*

29 Platine de mesure de plafond*

30 Coffret

***Les accessoires illustré peut être facultatif sur quelques modèles et pas inclus dans le packet standard.**

Consignes d'utilisation

Mise en service

⚠ AVERTISSEMENT Protéger l'appareil de mesure contre l'humidité, ne pas l'exposer aux rayons directs du soleil.

Ne pas exposer l'appareil de mesure à des températures extrêmes ou de forts changements de température. Ne le laissez pas traîner longtemps dans la voiture par ex. En cas d'importants changements de température, laissez l'appareil de mesure prendre la température ambiante avant de le mettre en service. Des températures extrêmes ou de forts changement de température peuvent entraver la précision de l'appareil de mesure.

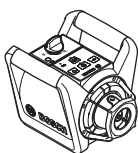
Il incombe à l'utilisateur de vérifier périodiquement l'exactitude de l'outil de mesure pendant la réalisation d'une tâche. Vérifiez toujours l'exactitude de l'outil de mesure après une chute ou s'il a été soumis à des températures extrêmes ou à des variations importantes de la température

Éviter les chocs ou les chutes de l'appareil de mesure. Lorsque l'appareil de mesure a été soumis à de fortes influences extérieures, toujours effectuer un contrôle de précision avant de continuer à travailler (voir « Précision de nivellement »).

Montage de l'appareil de mesure



Position horizontale



Position verticale

Positionnez l'appareil de mesure sur un support stable en position horizontale ou verticale, montez-le sur un trépied **21** ou sur le dispositif de fixation murale **25** avec unité d'alignement.

Compte tenu de sa précision de nivellement, l'appareil de mesure réagit très sensiblement aux chocs et aux changements de position. Veillez pour cette raison à maintenir l'appareil de mesure dans une position stable afin d'éviter d'interrompre son fonctionnement après une opération de renouvellement.

⚠ AVERTISSEMENT Mise en marche **NE PAS** diriger le faisceau laser vers des personnes ou des animaux, et ne pas fixer le faisceau laser des yeux, même pas depuis une grande distance.

Ne laissez pas un outil laser allumé sans surveillance, et éteignez l'outil laser après avoir fini de l'utiliser. Le faisceau laser risquerait de causer des blessures graves aux yeux.

L'appareil de mesure envoie un faisceau d'aplomb vertical **9** et un faisceau laser variable **6**.

Pour mettre en marche l'appareil de mesure, appuyez sur l'interrupteur Marche/Arrêt **4**. Les affichages **1**, **3** et **12** s'allument brièvement. L'appareil de mesure commence immédiatement le nivellement automatique. Pendant le processus de nivellement, l'affichage de nivellement **3** clignote vert et le laser clignote en mode marquage des points.

Le nivellement de l'appareil de mesure est terminé lorsque l'affichage de nivellement **3** reste allumé vert en permanence et le laser reste allumé en permanence. Une fois le nivellement terminé, l'appareil de mesure se met automatiquement en mode rotation.

Les touches **5** et **11** permettent de sélectionner le mode de fonctionnement même durant le processus de nivellement (voir « Modes du laser rotatif », page 32). Dans ce cas-là, une fois le processus de nivellement terminé, l'appareil de mesure se met dans le mode sélectionné.

Mise en arrêt

Pour **arrêter** l'appareil de mesure, appuyez à nouveau sur la touche Marche/Arrêt **4**.

- **Ne laissez pas sans surveillance l'appareil de mesure allumé et éteignez-le après l'utilisation.**

L'appareil de mesure s'arrête automatiquement

pour ménager les piles, s'il se trouve en dehors de la plage de nivellement automatique pendant plus de 2 h ou lorsque l'avertissement de choc a été déclenché pendant plus de 2 h (voir « Nivellement automatique du laser rotatif »). Positionnez l'appareil de mesure à nouveau et redémarrez-le.

Instructions d'utilisation

Pour marquer, n'utiliser toujours que le milieu de la ligne laser. La largeur de la ligne laser change avec la distance.

Modes de fonctionnement

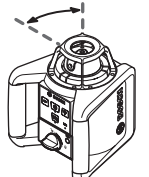
Vue d'ensemble

Les trois modes de fonctionnement sont possibles en position horizontale ou verticale de l'appareil de mesure.



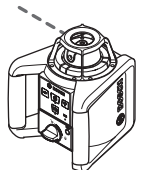
Mode rotation

Le mode rotation est surtout recommandé lorsque le récepteur est utilisé. Vous pouvez choisir entre différentes vitesses de rotation.



Mode traçage de lignes

Dans ce mode de fonctionnement, le faisceau laser en rotation se déplace dans un angle d'ouverture limité. De ce fait, la visibilité du faisceau laser s'en trouve accrue par rapport au mode rotation. Vous pouvez choisir entre différents angles d'ouverture.



Mode marquage de points

C'est dans ce mode de fonctionnement que l'on atteint la meilleure visibilité du faisceau laser en rotation. Ce mode de fonctionnement est utilisé par ex. pour le simple report de hauteurs ou pour le contrôle de tracés en

hauteur parfaitement horizontaux.

Mode rotation (150/300/600 tr/min)

Après sa mise en marche, l'appareil de mesure se trouve toujours en mode rotation à la vitesse de rotation moyenne.

Pour passer du mode traçage de lignes au mode rotation, appuyez sur la touche du mode rotation **5**. Le mode rotation démarre à la vitesse de rotation moyenne.

Pour modifier la vitesse de rotation, appuyez à

nouveau sur la touche du mode rotation **5** jusqu'à ce que la vitesse souhaitée soit atteinte.

Il est recommandé de choisir la vitesse de rotation la plus élevée lorsque vous travaillez avec le récepteur. Lors du travail sans récepteur, réduisez la vitesse de rotation pour une meilleure visibilité du faisceau laser et utilisez les lunettes de vision de faisceau laser **24**.



Mode traçage de lignes, mode marquage de points (10°/25°/50°, 0°)

Pour passer au mode traçage de lignes ou au mode marquage de points, appuyez sur la touche du mode traçage de lignes **11**. L'appareil de mesure passe au service de traçage de lignes avec le plus petit angle d'ouverture.

Pour modifier l'angle d'ouverture, appuyez sur la touche du service de traçage de lignes **11**. L'angle d'ouverture est agrandi en deux étapes et la vitesse de rotation augmente avec chaque étape. Si l'on appuie sur la touche du service traçage de lignes **11** une troisième fois, l'appareil de mesure passe en mode marquage de points à la suite d'une brève durée d'oscillation.

Appuyer à nouveau sur la touche **11** remet l'appareil en service de traçage de lignes avec le plus petit angle d'ouverture.

Note: En raison de l'inertie, le laser peut dépasser légèrement les points extrêmes de la ligne laser.

Pour positionner la ligne laser ou le point laser à l'intérieur du plan de rotation, tournez la tête de rotation **10** manuellement dans la position souhaitée ou utilisez la télécommande **20**.

Tourner le plan de rotation en position verticale

Lorsque l'appareil de mesure est en position verticale, il est possible d'ajuster le point laser, la ligne laser ou le plan de rotation autour du sens vertical au moyen de la télécommande **20**. Respectez les instructions d'utilisation de la télécommande.

Précision de nivellement


Après avoir été mis en marche, l'appareil de mesure détecte lui-même la position horizontale ou verticale. Pour passer de la position horizontale à la position verticale et inversement, éteignez l'appareil de mesure, repositionnez le et remettez-le en marche.

Après avoir été mis en fonctionnement, l'appareil de mesure contrôle la position horizontale ou verticale et compense automatiquement les inégalités à l'intérieur de la plage de nivellement automatique de 8 % env. (5°).

Au cas où l'appareil de mesure serait incliné de plus de 8 % après avoir été mis en fonctionnement ou après une modification de position, le nivellement n'est plus possible. Dans ce cas, le rotor s'arrête, le laser clignote et l'affichage de nivellement reste allumé rouge en permanence.

Positionnez l'appareil de mesure à nouveau et attendez le nivellement. Sans nouveau positionnement, le laser s'arrête automatiquement au bout de 2 min, et l'appareil de mesure au bout de 2 h.

Lorsque l'appareil de mesure est nivelé, il contrôle constamment la position horizontale ou verticale. Lorsque la position est modifiée, un nivellement automatique est effectué. Le rotor s'arrête afin d'éviter des mesures erronées durant le processus de nivellement, le laser clignote et l'affichage de nivellement clignote vert.

L'appareil de mesure dispose d'une fonction  d'alerte anti-chocs empêchant, en cas de modifications de position ou de secousses de l'appareil de mesure, ou en cas de vibrations, le nivellement sur une hauteur modifiée, évitant ainsi des erreurs de hauteur.

Pour l'avertissement de choc, appuyez sur la touche avertissement de choc. L'avertissement de choc reste allumé vert en permanence, et au bout de 30 s, l'avertissement de choc est activé.

Si lors d'une modification de position de l'appareil de mesure, la plage de précision du nivellement est dépassée ou si une forte secousse est détectée, l'avertissement de choc est déclenché. La rotation s'arrête, le laser clignote, l'affichage de nivellement s'éteint et l'affichage de l'avertissement de choc clignote rouge. Le mode de service actuel est mémorisé.

Appuyez sur la touche avertissement de choc quand l'avertissement de choc est déclenché. La fonction d'avertissement de choc redémarre et l'appareil de mesure commence le nivellement. Dès que l'appareil de mesure est nivelé (l'affichage

de nivellement

reste allumé vert en permanence), il démarre dans le mode deservice mémorisé. Vérifiez maintenant la hauteur du faisceau laser à partir d'un point de référence et, le cas échéant, corrigez la hauteur.

Si, quand l'avertissement de choc est déclenché, la fonction ne redémarre pas lorsque l'on appuie sur la touche, le laser s'arrête automatiquement au bout de 2 min, et l'appareil de mesure au bout de 2 h.

Pour la fonction avertissement de choc, appuyez une fois sur la touche avertissement de choc, ou bien deux fois, si l'avertissement de choc est déclenché (affichage d'avertissement de choc clignote rouge). L'affichage d'avertissement de choc s'éteint quand l'avertissement de choc est arrêté.

C'est la température ambiante qui exerce la plus grande influence. Ce sont notamment les différences de température entre le sol et la hauteur de travail qui peuvent faire dévier le faisceau laser.

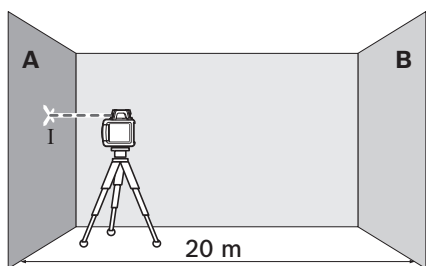
Ces déviations commencent à avoir de l'importance à partir d'une distance à mesurer de 20 m env. et, à une distance de 100 m, elles peuvent dépasser de deux à quatre fois la déviation à 20 m.

Puisque la stratification de la température est à son maximum à proximité du sol, l'appareil de mesure devrait toujours être monté sur un trépied à partir d'une distance à mesurer de 20 m. En plus, si possible, installez l'appareil de mesure au centre de la zone de travail.

Outre les influences extérieures, des causes particulières à l'appareil (par ex. chutes ou chocs violents) peuvent entraîner de légères divergences. Avant de commencer tout travail, contrôlez donc la précision de l'appareil de mesure.

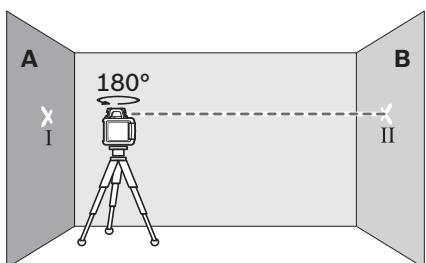
Pour ce contrôle, il est nécessaire de travailler sur une distance dégagée de 20 m sur un sol stable entre deux murs A et B. Lorsque – l'appareil de mesure se trouve en position horizontale – il faut effectuer un mesurage d'inversion dans les deux sens X et Y (pour chaque axe en positif et négatif) (en tout 4 mesurages complets).

- Montez l'appareil de mesure en position horizontale près du mur A sur un trépied (accessoire) ou placez-le sur un sol solide et plan. Mettez l'appareil de mesure en marche.
- Après avoir effectué le nivellement, dirigez le faisceau laser en mode marquage de points



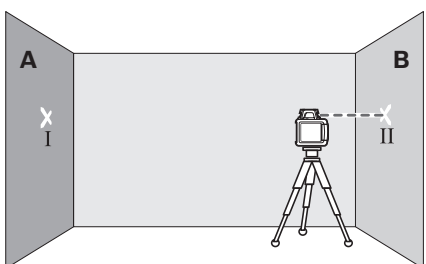
sur le mur le plus proche A. Marquez le milieu du point du faisceau laser près du mur (point I).

- Tournez l'appareil de mesure de 180°, laissez-le effectuer un nivellement

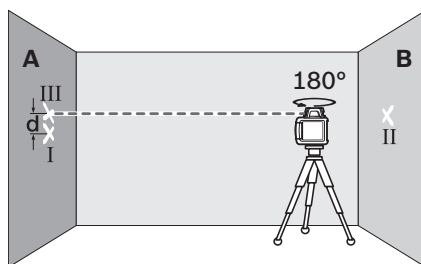


automatique et marquez le point de croisement des faisceaux laser sur le mur d'en face B (point II).

- Placez l'appareil de mesure sans le tourner près du mur B, mettez-le en marche et laissez le se niveler automatiquement.
- Ajustez l'appareil de mesure en hauteur



(à l'aide du trépied ou, le cas échéant, à l'aide de cales appropriées) de sorte que le point de croisement des faisceaux laser touche le point II sur le mur B tracé auparavant.



- Tournez l'appareil de mesure de 180° sans modifier la hauteur. Laissez-le se niveler automatiquement et marquez le milieu du point du faisceau laser sur le mur A (point III). Veillez à ce que point III soit positionné aussi verticalement que possible au-dessus ou en-dessous du point I.
- L'écart d entre les deux points I et III marqués sur le mur A indique la divergence de précision réelle de l'appareil de mesure pour le sens mesuré.

Répétez ce processus de mesure pour les trois autres sens. Pour ce faire, tournez l'appareil de mesure avant chaque processus de mesure de 90°.

Pour une distance à mesurer de $2 \times 20 \text{ m} = 40 \text{ m}$, la divergence de précision max. admissible est de $\pm 4 \text{ mm}$.

$40 \text{ m} \times \pm 0,1 \text{ mm/m} = \pm 4 \text{ mm}$. (Pour le modèle GRL 240 HV, l'écart permissible maximum est : $40 \text{ m} \times \pm 0,1 \text{ mm/m} = \pm 8 \text{ mm}$).

Par conséquent, la différence d entre les points I et III pour chacun des quatre mesurages ne doit être que 8 mm max (Pour le modèle GRL 240 HV 16 mm max).

Si l'appareil de mesure dépasse la divergence maximale de précision pour un des quatre mesurages, le faire contrôler par un service après-vente Bosch.

Applications

Traçage des verticales/des plans verticaux (voir figure B)

Pour tracer une verticale ou un plan vertical, positionnez l'appareil de mesure verticalement. Si le plan vertical doit être perpendiculaire par rapport à une ligne de référence (par ex. mur), alignez le faisceau d'aplomb **9** sur cette ligne de référence.

La verticale est indiquée par le faisceau laser en rotation **6**.

Travailler sans récepteur (voir figure C)

Dans des conditions d'éclairage favorables (environnement sombre) et sur des distances courtes, il est possible de travailler sans récepteur.

Pour une meilleure visibilité du faisceau laser, choisissez soit le mode traçage de lignes soit le mode marquage des points et tournez la tête de rotation **10** manuellement vers le lieu cible.

Travailler avec récepteur (voir figure D)

Dans des conditions d'éclairage défavorables (environnement éclairé, soleil en direct) et sur des

grandes distances, utilisez le récepteur afin de détecter plus facilement les lignes laser.

Pour travailler avec récepteur, choisissez le mode rotation à la vitesse de rotation la plus élevée.

Mesurages sur des grandes distances (voir figure E)

Pour les mesurages sur des grandes distances, il est toujours nécessaire d'utiliser le récepteur de faisceau laser pour trouver le faisceau laser.

Afin de réduire des perturbations, il est recommandé de positionner l'appareil de mesure toujours au milieu d'un plan de travail et sur un trépied.

Travailler à l'extérieur (voir figure F)

Il est recommandé de toujours utiliser le récepteur à l'extérieur.

Pour les travaux sur un sol peu fiable, montez l'appareil sur le trépied **21**. Activez la fonction d'avertissement de choc afin d'éviter des mesures erronées dans le cas de mouvements de sol ou des secousses de l'appareil de mesure.



	Faisceau laser	Rotation du laser*		
	vert	rouge	vert	rouge
Mettre en fonctionnement l'appareil de mesure (test automatique pendant 1 sec)		●		● ●
Nivellement automatique ou nivellement ultérieur	2x/s	○	2x/s	
Appareil de mesure nivelé/prêt à fonctionner	●	●	●	
Dépassement de la plage de nivellement automatique	2x/s	○	●	
Avertissement de choc activé				●
Avertissement de choc déclenché	2x/s	○		2x/s
Tension de la pile pour un fonctionnement de ≤ 2 h				2x/s
Pile déchargée	○	○		●

* en mode traçage des lignes ou en mode rotation

2x/s Fréquence de clignotement (deux fois par seconde)

● Service permanent

○ Fonction arrêtée

Utiliser avec la accessoires

Lunettes de vision du faisceau laser (accessoire)

⚠ AVERTISSEMENT Les lunettes de vision du faisceau laser filtrent la lumière ambiante. L'oeil perçoit ainsi la lumière rouge du laser comme étant plus claire.

Ne pas utiliser les lunettes de vision du faisceau laser en tant que lunettes de protection. Les lunettes de vision du faisceau laser servent à mieux visualiser le faisceau laser, elles ne protègent cependant pas du rayonnement laser.

Ne pas utiliser les lunettes de vision du faisceau laser en tant que lunettes de soleil ou en circulation routière. Les lunettes de vision du faisceau laser ne protègent pas parfaitement contre les rayons ultra-violetes et réduisent la perception des couleurs.

Travailler avec récepteur (accessoire)

⚠ AVERTISSEMENT Faites réparer votre outil de mesure par un réparateur qualifié n'utilisant que des pièces de rechange identiques. Ceci assurera la sécurité du laser rotatif à l'avenir.

Lisez et observez strictement les avertissements relatifs à la sécurité dans les instructions d'utilisation du laser rotatif.

Dans des conditions d'éclairage défavorables (environnement éclairé, soleil en direct) et sur de grandes distances, utilisez le récepteur **23** et **13** afin de détecter plus facilement le faisceau laser.

Pour travailler avec le récepteur, choisissez le mode de rotation avec la vitesse de rotation la plus élevée.

Pour travailler avec le récepteur, lisez et tenez compte du mode d'emploi de ce dernier.

Travailler avec la télécommande (accessoire)

Lorsqu'on appuie sur les touches de commande, l'appareil de mesure peut être dénivelé de sorte que la rotation s'arrête pour une courte durée. Cet effet est évité par l'utilisation de la télécommande **20**.

Les lentilles de réception **7** de la télécommande se trouvent sur les quatre côtés de l'appareil de mesure (Le modèle GRL 240 HV / GRL 245 HV a une lentille de réception unique située sur le devant de l'outil laser.), entre autres au dessus du tableau de commande sur la face avant.

Travailler avec le trépied (accessoire)

L'appareil de mesure dispose d'un support de trépied 5/8" pour mode horizontal sur un trépied.

Placez l'appareil de mesure avec le raccord du trépied **16** sur le filet 5/8" du trépied et serrez-le au moyen de la vis de blocage du trépied.

Si le trépied **21** dispose d'une graduation sur la rallonge le décalage en hauteur peut être réglé directement.

Travailler avec le dispositif de fixation murale et unité d'alignement (accessoire) (voir figure A)

Il est également possible de monter l'appareil de mesure sur le dispositif de fixation murale avec l'unité d'alignement **25**. Vissez à cet effet la vis 5/8" **28** du dispositif de fixation murale dans le raccord du trépied **16** se trouvant sur l'appareil de mesure.

Montage sur un mur : Le montage sur un mur est recommandé p.ex. pour les travaux à une hauteur supérieure à la rallonge de trépieds ou pour les travaux sur un sol instable et sans trépied. Pour ce faire, fixez le dispositif de fixation murale **25** avec l'appareil de mesure monté aussi verticalement que possible sur un mur.

Pour le montage mural, vous pouvez soit serrer le dispositif de fixation murale **25** à l'aide de la vis de fixation **26** sur une barre d'une largeur de 8 mm max, soit l'accrocher à l'aide de deux crochets.

Montage sur un trépied : Il est également possible de visser le dispositif de fixation murale **25** avec le support de trépied sur le dos sur un trépied. Cette fixation est recommandée surtout pour des travaux pour lesquels le plan de rotation doit être dirigé vers une ligne de référence.

A l'aide de l'unité d'alignement, il est possible de décaler l'appareil de mesure verticalement (lors d'un montage sur un mur) ou horizontalement (lors d'un montage sur un trépied) dans une plage de 16 cm environ. Desserrez à cet effet la vis **27** se trouvant sur l'unité d'alignement, décalez l'appareil de mesure pour le mettre dans la position souhaitée et resserrez la vis **27**.

Travailler avec la platine de mesure de plafond (voir figure A)

⚠ AVERTISSEMENT N'utilisez pas cet instrument de mesure pendant des orages ou à proximité de fils électriques à haute tension. Vous risqueriez d'être frappé(e) par la foudre ou électrocuté(e).

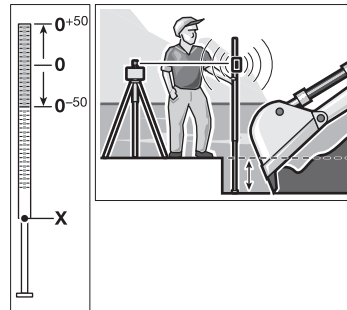
Travaillez à une distance suffisamment éloignée des installations électriques. Quand il est essentiel de travailler dans cet environnement, contactez d'abord les autorités en charge de la sécurité qui ont la responsabilité des installations électriques et suivez leurs instructions.

Pour un alignement en hauteur **29** facile de plafonds suspendus, il est possible d'utiliser la platine de mesure de plafond. Fixez la platine de mesure de plafond au moyen de la fixation magnétique par ex. sur un support.

La moitié réfléchissante de la platine de mesure de plafond améliore la visibilité du faisceau laser dans des conditions défavorables, la moitié transparente rend le faisceau laser visible même du côté arrière.

Travailler avec la mire graduée (accessoire) (voir figure F)

Pour le contrôle de planéité ou le marquage des inclinaisons, il est recommandé d'utiliser la mire graduée **22** en combinaison avec le récepteur de faisceau laser.



Une graduation relative (± 50 cm) est sur la mire graduée **22**. Sa hauteur zéro peut être présélectionnée sur la rallonge. Ceci permet de lire directement des écarts de la hauteur souhaitée.

Maintenance et service

⚠ AVERTISSEMENT Ne transporter et ranger l'appareil de mesure que dans son étui de protection fourni avec l'appareil.

Inspectez l'outil à chaque fois avant de l'utiliser.

Vérifiez toujours que l'outil est propre et sec pour assurer qu'il fonctionne de façon appropriée et en toute sécurité.

Maintenir l'appareil de mesure propre.

Ne jamais plonger l'appareil de mesure dans l'eau ou dans d'autres liquides.

Nettoyez régulièrement les surfaces de l'orifice de sortie du laser. Son fonctionnement sans danger n'est plus garanti en cas de dommages visibles ou de détachement de composants à l'intérieur de l'instrument.

Nettoyer l'appareil à l'aide d'un chiffon doux et humide. Ne pas utiliser de détergents ou de solvants.

Nettoyer régulièrement en particulier les surfaces se trouvant près de l'ouverture

de sortie du laser en veillant à éliminer les poussières.

Si, malgré tous les soins apportés à la fabrication et au contrôle de l'appareil de mesure, celui-ci devait avoir un défaut, la réparation ne doit être confiée qu'à une station de service après-vente agréée pour outillage Bosch.

Pour toute demande de renseignement ou commande de pièces de rechange, nous précisons impérativement le numéro d'article à dix chiffres de l'appareil de mesure indiqué sur la plaque signalétique.

Au cas où l'appareil devrait être réparé, l'envoyer dans son étui de protection **30**.

PROTECTION DE L'ENVIRONNEMENT

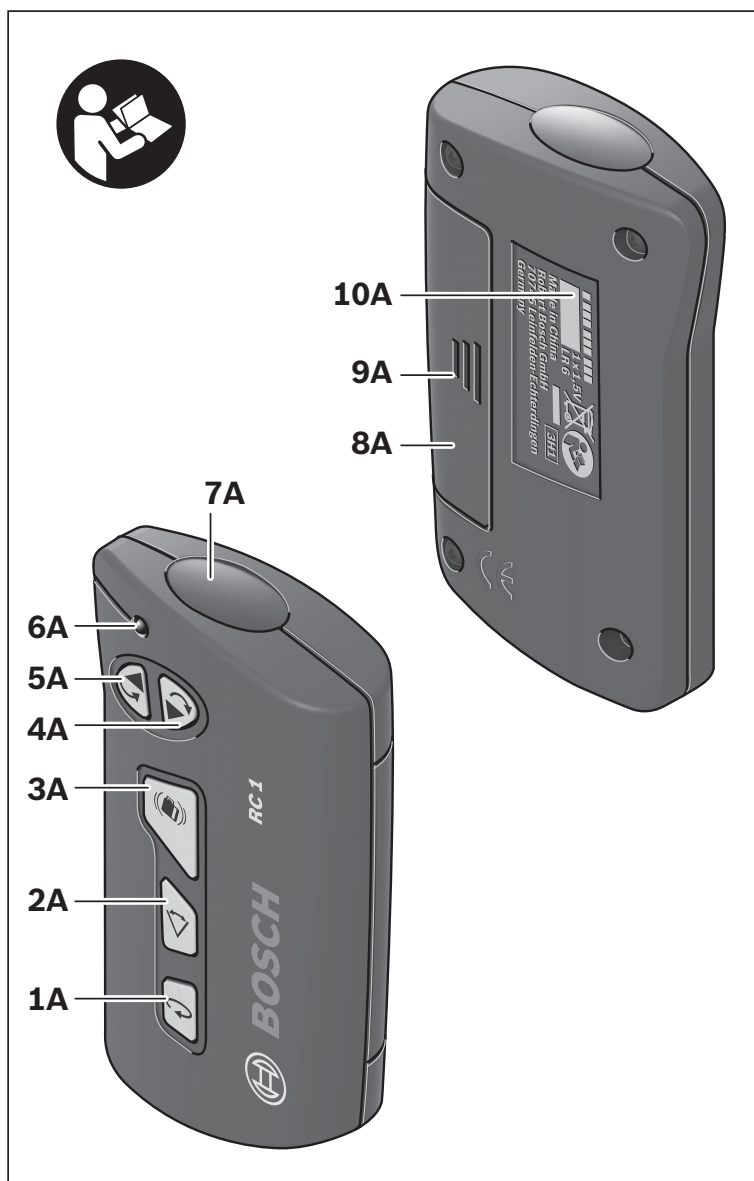
Recyclez les matières premières et les piles au lieu de les mettre au rebut.

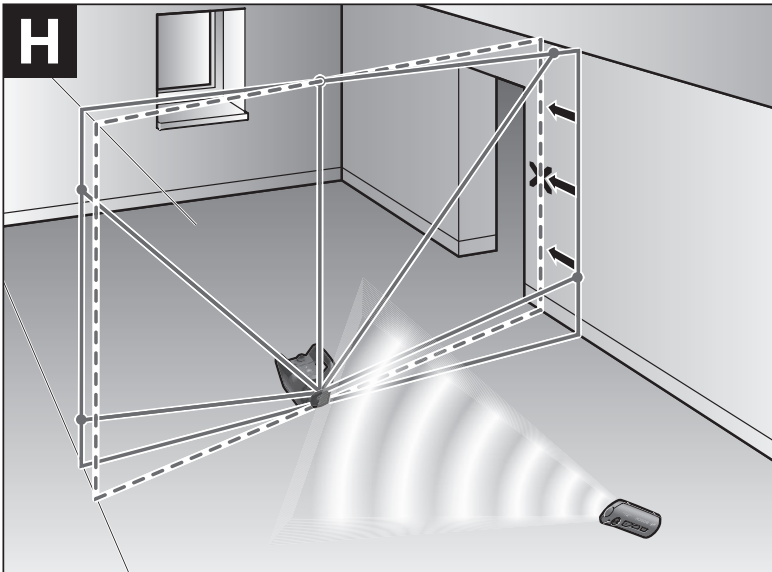
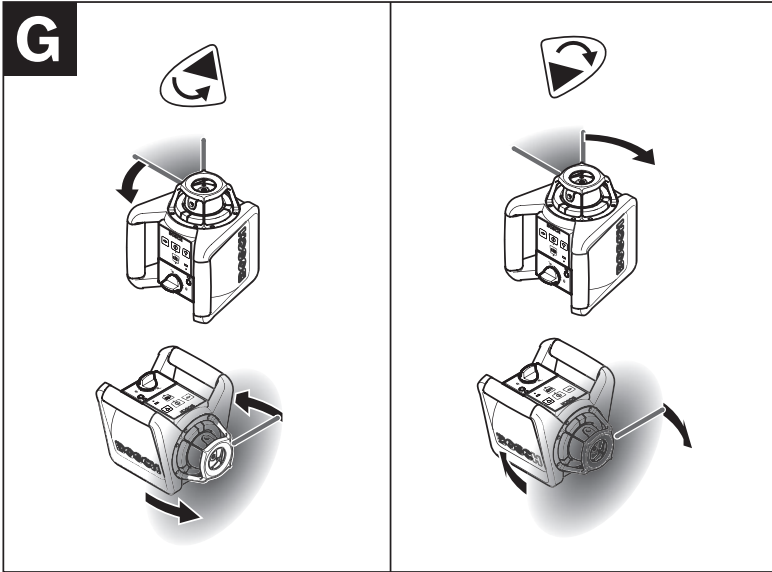
L'instrument, ses accessoires, son conditionnement et les piles usées doivent être triés en vue d'un recyclage écologique conforme aux lois les plus récentes.



RC1 télécommande

(Accessoire en option pour le modèle GRL 240 HV)





RC1 Consignes générales de sécurité

Il est impératif de lire et de respecter toutes les instructions.



GARDER PRÉCIEUSEMENT CES INSTRUCTIONS.

- **Ne faire réparer la télécommande que par un personnel qualifié et seulement avec des pièces de rechange d'origine.** Ceci permet d'assurer le bon fonctionnement de la télécommande.
- **Ne faites pas fonctionner la télécommande en atmosphère explosive, par exemple en présence de liquides inflammables, de gaz ou de poussières.** La télécommande peut produire des étincelles qui peuvent enflammer les poussières ou les vapeurs.
- **Lire et respecter strictement les instructions de sécurité se trouvant dans les instructions d'utilisation du laser rotatif.**

RC1 Emploi prévu

La télécommande est conçue pour contrôler des lasers rotatifs en intérieur et en extérieur.

RC1 Préparation

Mise en place/changement de la pile

Pour le fonctionnement de la télécommande, nous recommandons d'utiliser des piles alcalines au manganèse.

Pour ouvrir le couvercle du compartiment à piles **8A**, appuyez sur le blocage **9A** dans le sens de la flèche et enlevez le couvercle du compartiment à piles.

Introduisez la pile fournie. Veillez à la bonne position des pôles qui doit correspondre à la figure se trouvant dans le compartiment à piles.

- **Sortez la pile de la télécommande au cas où elle ne serait pas utilisée pour une période prolongée.** En cas de stockage prolongé, la pile peut se corroder ou se décharger.

RC1 Données techniques

Télécommande	RC1
Portée ¹⁾	30 m
Température de fonctionnement	-10 °C ~ +50 °C
Température de stockage	-20 °C ~ +70 °C
Pile	1 x 1,5 V LR06 (AA)
Poids suivant EPTA-Procédure 01/2003	69 g

1) La portée peut être réduite par des conditions défavorables (par ex. exposition directe au soleil).

Faire attention au numéro d'article se trouvant sur la plaque signalétique de la télécommande. Les désignations commerciales des différentes télécommandes peuvent varier.

Pour permettre une identification précise de votre télécommande, le numéro de série **10A** est marqué sur la plaque signalétique.

RC1 Features

La numérotation des éléments de la télécommande se réfère à la représentation de la télécommande sur la page graphique.

- 1A** Touche du mode rotation et du choix de la vitesse de rotation
- 2A** Touche du mode traçage de lignes et du choix de la longueur de ligne
- 3A** Touche reset avertissement de choc
- 4A** Touche « Rotation en sens horaire »
- 5A** Touche « Rotation en sens anti-horaire »

- 6A** Voyant de fonctionnement
- 7A** Orifice de sortie du faisceau infra-rouge
- 8A** Couverture du compartiment à piles
- 9A** Dispositif de blocage du couvercle du compartiment à piles
- 10A** Numéro de série

Les accessoires décrits ou illustrés ne sont pas tous compris dans la fourniture.

RC1 Consignes d'utilisation

Mise en service

Protégez la télécommande contre l'humidité, ne l'exposez pas aux rayons directs du soleil.

N'exposez pas la télécommande à des températures extrêmes ou de forts changements de température.

Ne la laissez pas trop longtemps dans une voiture p.ex. Si elle est exposée à d'importants changements de température, laissez-la revenir à la température ambiante avant de la mettre en service.

Tant que la pile insérée dispose de suffisamment de tension, la télécommande est prête à fonctionner.

Placez le laser rotatif de façon à ce que les signaux de la télécommande atteignent une des cellules de réception sur le laser rotatif en direction de celui-ci (voir les instructions d'utilisation du laser rotatif). Si la télécommande ne peut pas être dirigée directement sur une cellule de réception, la zone de travail s'en trouve réduite. Il est possible d'améliorer la portée même pour un signal indirect en réfléchissant le signal (p.ex. auprès d'un mur).

Dès qu'une touche de la télécommande a été appuyée, le voyant de fonctionnement **6A** s'allume et indique ainsi qu'un signal a été émis.

Il n'est pas possible de mettre en marche/arrêter le laser rotatif au moyen de la télécommande.

RC1 Modes de fonctionnement

Vous trouverez des informations détaillées concernant les fonctions du laser rotatif dans les instructions d'utilisation du laser rotatif.



Mode rotation
(150/300/600 tr/min)

La fonction de la touche du mode rotation **1A** sur la télécommande est identique avec celle du laser rotatif.

Le laser rotatif est toujours en mode rotation, à la vitesse de rotation moyenne, quand il est mis en service.

Pour passer du mode traçage de lignes au mode rotation, appuyez sur la touche du mode rotation **1A**. Le mode rotation démarre à la vitesse de rotation moyenne.

Pour modifier la vitesse de rotation, appuyez à nouveau sur la touche du mode rotation **1A** jusqu'à ce que la vitesse souhaitée soit atteinte.



Mode traçage de lignes, mode marquage de points (10°/25°/50°, 0°)

La fonction de la touche du mode traçage de lignes **2A** sur la télécommande est identique avec celle du laser rotatif.

Pour passer au mode traçage de lignes ou au mode marquage de points, appuyez sur la touche du mode traçage de lignes **2A**. Le laser rotatif passe au mode traçage de lignes avec le plus petit angle d'ouverture.

Pour modifier l'angle d'ouverture, appuyez sur la touche du mode traçage de lignes **2A**. L'angle d'ouverture est agrandi en deux étapes, en même temps la vitesse de rotation est augmentée à chaque étape. Si l'on appuie sur la touche du mode traçage de lignes **2A** une troisième fois, le laser rotatif passe en mode marquage de points après une courte durée de postoscillation. Appuyer à nouveau sur la touche **2A** remet l'appareil en mode traçage de lignes avec le plus petit angle d'ouverture.

Note : En raison de l'inertie, le laser peut dépasser légèrement les points extrêmes de la ligne laser.



Rotation de la ligne laser/du point laser ou du plan de rotation
(voir figure G)

Une rotation de la ligne laser/du point laser ou du plan de rotation n'est possible qu'au moyen de la télécommande.

Lorsque le laser rotatif est en position horizontale, il est possible de positionner la ligne laser (en mode traçage de lignes) ou le point laser (en mode marquage de points) à l'intérieur du plan de rotation du laser. Une rotation de 360° est possible.

Pour une rotation dans le sens horaire, appuyez sur la touche **4A**, pour une rotation dans le sens anti-horaire, appuyez sur la touche **5A**. En mode rotation, appuyer sur les touches n'a aucun effet.

Lorsque le laser rotatif est en position verticale, il est possible de tourner le point laser, la ligne laser ou le plan de rotation autour de l'axe verticale. La rotation n'est possible qu'à l'intérieur de la plage de nivellement automatique (5° vers la gauche ou vers la droite).

Pour une rotation vers la droite, appuyez sur la touche **4A**, pour une rotation vers la gauche, appuyez sur la touche **5A**.

Reset fonction d'avertissement de choc

Le laser rotatif dispose d'une fonction d'avertissement de choc empêchant, en cas de modifications de position ou de secousses du laser rotatif, ou en cas de vibrations, le nivellement sur une hauteur modifiée, évitant ainsi des erreurs de hauteur.

La mise en marche ou l'arrêt de la fonction d'avertissement de choc n'est possible que sur le laser rotatif. Une fois que la fonction d'avertissement de choc a été déclenchée, elle peut être redémarrée au moyen de la télécommande.

Après le déclenchement de la fonction d'avertissement de choc, la rotation du laser est arrêtée sur le laser rotatif, le laser se met à clignoter, l'affichage de nivellement s'éteint et l'affichage de l'avertissement de choc clignote rouge. Le mode de service actuel est mémorisé.

Appuyez sur la touche reset avertissement de choc **3A** quand l'avertissement de choc est déclenché. La fonction d'avertissement de choc est redémarrée et le laser rotatif commence le nivellement.

Dès que le laser rotatif est nivelé (l'affichage de nivellement du laser rotatif reste allumé vert en permanence), il démarre dans le mode de service mémorisé. Vérifiez maintenant la hauteur du faisceau laser à partir d'un point de référence et, le cas échéant, corrigez la hauteur.

RC1 Applications

Exemple de travail

Tourner le plan de rotation en position verticale (voir figure H)

Pour aligner la ligne laser verticale ou le plan de rotation auprès d'un point de référence sur un mur, positionnez le laser rotatif verticalement et alignez la

ligne laser ou le plan de rotation grossièrement vers le point de référence. Pour un alignement précis sur le point de référence, appuyez sur la touche **4A** (rotation vers la droite) ou **5A** (rotation vers la gauche).

RC1 Maintenance et service

Nettoyage et entretien

Maintenez la télécommande toujours propre.

N'immergez pas la télécommande dans l'eau ou d'autres liquides.

Nettoyez l'appareil à l'aide d'un chiffon doux et humide. N'utilisez pas de détergents ou de solvants.

Si, malgré tous les soins apportés à la fabrication et au contrôle de la télécommande, celle-ci présentait un défaut, la réparation ne doit être confiée qu'à une station de Service Après-Vente agréée pour outillage Bosch. Ne démontez pas la télécommande vous-même.

Pour toute demande de renseignement ou commande de pièces de rechange, nous précisons impérativement le numéro d'article à dix chiffres de la télécommande indiqué sur la plaque signalétique.

PROTECTION DE L'ENVIRONNEMENT

Recyclez les matières premières et les piles au lieu de les mettre au rebut. L'instrument, ses accessoires, son conditionnement et les piles usées doivent être triés en vue d'un recyclage écologique conforme aux lois les plus récentes.



GARANTIE LIMITÉE DES PRODUITS LASER ET AUTRES INSTRUMENTS DE MESURE BOSCH

Robert Bosch Tool Corporation (« Vendeur ») garantit, exclusivement à l'acheteur initial, que tous les outils laser et de mesure de Bosch ne comporteront aucun défaut de matériau ou de fabrication pendant une période de un (1) an à compter de la date de l'achat. Bosch fournira une couverture de garantie portée à deux (2) ans si vous enregistrez votre produit dans les huit (8) semaines suivant la date de l'achat. La carte d'enregistrement du produit doit être complète et envoyée à Bosch (avec un cachet de la poste indiquant une date de moins de huit semaines après la date de l'achat), ou vous pouvez vous inscrire en ligne à www.boschtools.com/Service/ProductRegistration. Si vous décidez de ne pas faire enregistrer votre produit, une garantie limitée d'un (1) an s'appliquera à votre produit.

Remboursement ou remplacement du produit jusqu'à 30 jours -

Si vous n'êtes pas complètement satisfait(e) par la performance de vos outils laser et de mesure pour quelque raison que ce soit, vous pouvez les rapporter à votre détaillant Bosch dans les 30 jours suivant la date de l'achat pour obtenir un remboursement intégral ou un remplacement. Pour obtenir ce remboursement du prix ou ce remplacement du produit jusqu'à 30 jours après l'achat, votre retour doit être accompagné par l'original du reçu correspondant à l'achat du produit laser ou de l'instrument optique. Un maximum de deux retours par client sera autorisé.

LA SEULE OBLIGATION DU VENDEUR ET VOTRE SEUL REMÈDE en vertu de cette Garantie limitée et, dans la mesure où la loi le permet, de toute autre garantie ou condition légalement implicite, seront la réparation ou le remplacement à titre gratuit des pièces qui seront jugées défectueuses pour cause de vice de matériau ou de fabrication et qui n'auront pas été utilisées de façon abusive, manipulées sans précautions ou réparées incorrectement par des personnes autres que le Vendeur ou un Centre de service après-vente agréé. Pour vous prévaloir de la présente Garantie limitée, vous devez retourner la totalité de l'outil laser ou de l'outil de mesure Bosch, en port payé, à un Centre de service après-vente usine ou à un centre de service après-vente agréé de BOSCH. Veuillez inclure un justificatif d'achat dûment daté avec votre outil. Pour trouver les adresses des centres de service après-vente, veuillez utiliser notre guide en ligne service locator. ou téléphoner au 1-877-267-2499.

CE PROGRAMME DE GARANTIE NE S'APPLIQUE PAS AUX TRÉPIEDS OU AUX MIRES DE NIVELLEMENT. Robert Bosch Tool Corporation (« Vendeur ») garantit les trépieds et les mires de nivellement pendant une période d'un (1) an à compter de la date de l'achat.

CETTE GARANTIE LIMITÉE NE S'APPLIQUE PAS À D'AUTRES ACCESSOIRES ET ARTICLES COMPLÉMENTAIRES. CES DERNIERS BÉNÉFICIENT D'UNE GARANTIE LIMITÉE DE 90 JOURS.

Pour vous prévaloir de la présente Garantie limitée, vous devez retourner la totalité du produit en port payé. Pour plus de détails sur le recours à la présente Garantie limitée, veuillez visiter www.boschtools.com ou téléphoner au 1-877-267-2499.

LA DURÉE DE TOUTE GARANTIE IMPLICITE SERA LIMITÉE À UN AN À COMPTER DE LA DATE DE L'ACHAT. COMME CERTAINS ÉTATS AUX ÉTATS-UNIS ET CERTAINES PROVINCES AU CANADA NE PERMETTENT PAS DE LIMITATIONS SUR LA DURÉE D'UNE GARANTIE IMPLICITE, LA LIMITATION CI-DESSUS NE S'APPLIQUE PEUT-ÊTRE PAS À VOUS.

LE VENDEUR NE SERA EN AUCUN CAS RESPONSABLE POUR TOUS DOMMAGES INDIRECTS OU SECONDAIRES (Y COMPRIS, MAIS SANS LIMITATION, LA RESPONSABILITÉ AU TITRE DE LA PERTE DE BÉNÉFICES) RÉSULTANT DE LA VENTE OU DE L'EMPLOI DE CE PRODUIT. COMME CERTAINS ÉTATS AUX ÉTATS-UNIS ET CERTAINES PROVINCES AU CANADA NE PERMETTENT PAS L'EXCLUSION OU LA LIMITATION DE LA RESPONSABILITÉ POUR DOMMAGES INDIRECTS OU SECONDAIRES, LA LIMITATION CI-DESSUS NE S'APPLIQUE PEUT-ÊTRE PAS À VOUS.

CETTE GARANTIE LIMITÉE VOUS CONFÈRE DES GARANTIES JURIDIQUES PARTICULIÈRES, ET VOUS POUVEZ AUSSI AVOIR D'AUTRES DROITS, QUI VARIENT D'UN ÉTAT À L'AUTRE AUX ÉTATS-UNIS, D'UNE PROVINCE À L'AUTRE AU CANADA OU D'UN PAYS À L'AUTRE.

CETTE GARANTIE LIMITÉE NE S'APPLIQUE QU'AUX PRODUITS VENDUS AUX ÉTATS-UNIS D'AMÉRIQUE, AU CANADA ET À PORTO RICO. CONTACTEZ VOTRE DISTRIBUTEUR OU IMPORTATEUR BOSCH POUR OBTENIR DES INFORMATIONS SUR LA COUVERTURE DE LA GARANTIE DANS LES AUTRES PAYS.

Nomas generales de seguridad

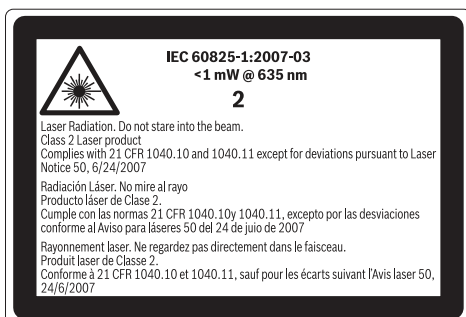
⚠ ADVERTENCIA

Lea todas las instrucciones. Si no se siguen todas las instrucciones que aparecen a continuación, el resultado podría ser exposición a radiación peligrosa, descargas eléctricas, incendio y/o lesiones graves. La expresión "herramienta de medición, detección y disposición" en todas las advertencias que aparecen a continuación se refiere a su herramienta de medición, detección y disposición alimentada por la red eléctrica (alámbrica) o su herramienta de medición, detección y disposición alimentada por baterías (inalámbrica).

Las siguientes etiquetas están en la herramienta láser para brindarle a usted conveniencia y seguridad. Dichas etiquetas indican por donde emite la herramienta la luz láser. TENGA SIEMPRE CONOCIMIENTO de su ubicación cuando utilice la herramienta.

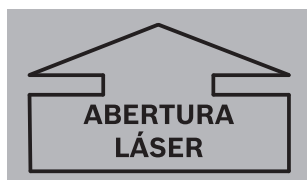
GRL 240 HV / GRL 245 HV

El aparato de medición se suministra de serie con una señal de advertencia en inglés (en la ilustración del aparato de medición, ésta corresponde a la posición 18).



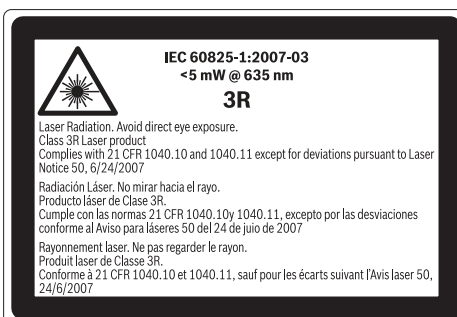
⚠ ADVERTENCIA

Las siguientes etiquetas están colocadas en su herramienta láser para brindarle conveniencia y seguridad. Indican el lugar donde la luz láser es emitida por el nivel. CONOZCA SIEMPRE su ubicación cuando utilice el nivel.

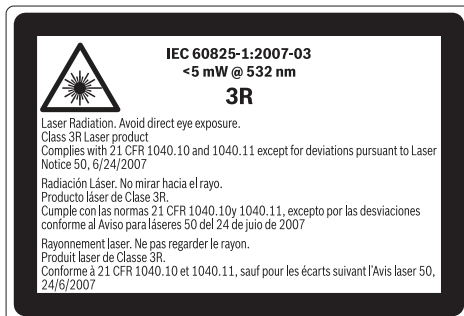


GRL 250 HV / GRL 300 HV

El aparato de medición se suministra de serie con dos señales de aviso en inglés (en la ilustración del aparato de medición, éstas corresponden a las posiciones 18 y 19).



GRL 300 HVG



Cumple con las normas 21 CFR 1040.10 y 1040.11, excepto por las desviaciones conforme al Aviso para láseres 50 del 24 de junio de 2007



No dirija el rayo láser hacia personas o animales y no mire al rayo láser usted mismo. Esta herramienta produce radiación láser de clase 2 y cumple con los códigos de los reglamentos federales estadounidenses 21 CFR 1040.10 y 1040.11, excepto por las desviaciones conforme al Aviso sobre Láseres No. 50, de fecha 24 de junio de 2007. Esto puede llegar a causar ceguera en las personas.

NO retire ni desfigure ninguna etiqueta de advertencia o de precaución. Si se retiran las etiquetas, se aumenta el riesgo de exposición a radiación láser.

La utilización de controles o ajustes, o la realización de procedimientos que no sean los especificados en este manual, puede causar exposición a radiación peligrosa.

Asegúrese SIEMPRE de que todas las personas que se encuentren en la vecindad del lugar de uso conozcan los peligros de mirar directamente al láser.

NO coloque la herramienta en una posición que pueda hacer que alguien mire al rayo láser de manera intencional o accidental. El resultado podría ser lesiones graves en los ojos.

Posicione SIEMPRE la herramienta de manera segura. Si la herramienta falla, el resultado podría ser daños a la misma y/o lesiones graves al usuario.

Utilice SIEMPRE sólo los accesorios que estén recomendados por el fabricante de su herramienta. El uso de accesorios que se han diseñado para utilizarse con otras herramientas láser podría causar lesiones graves o un rendimiento insatisfactorio.

NO utilice esta herramienta para propósitos que no sean los indicados en este manual. Si lo hace, el resultado podría ser lesiones graves.

NO deje la herramienta láser “ENCENDIDA” desatendida en ningún modo de funcionamiento.

NO desarme la herramienta. En su interior no hay piezas reparables ni reemplazables por el usuario. No modifique el producto de ninguna manera. Si se modifica la herramienta, el resultado podría ser exposición a radiación láser peligrosa.

NO utilice los anteojos de visión láser como anteojos de seguridad. Los anteojos de visión láser se utilizan para mejorar la visualización del rayo láser, pero no protegen contra la radiación láser.

NO utilice los anteojos de visión láser como lentes de sol o en tráfico. Los anteojos de visión láser no ofrecen protección completa contra los rayos UV y reducen la percepción de los colores.

NO use herramientas ópticas, tales como, pero no limitadas a, telescopios o telescopios meridianos, para ver el rayo láser. El resultado podría ser lesiones graves en los ojos.

NO mire directamente al rayo láser ni proyecte el rayo láser directamente a los ojos de otras personas. El resultado podría ser lesiones graves en los ojos.

GUARDE ESTAS INSTRUCCIONES

Declaración de FCC

Este producto ha sido testeado y hallado en cumplimiento con las limitaciones para un dispositivo digital Clase B, de conformidad con la Parte 15 de las reglas FCC. Estos límites han sido diseñados para brindar una protección razonable contra interferencias perjudiciales en una instalación residencial. Este equipo genera, utiliza y puede irradiar energía de radiofrecuencia y, de no estar instalado y usado de acuerdo con las instrucciones, puede causar interferencias perjudiciales a las comunicaciones de radio. Sin embargo, no hay garantía alguna de que no habrá interferencias en una instalación en particular. Si este equipo causa interferencias perjudiciales en la recepción de radio o televisión que pudieren determinarse encendiendo o apagando el equipo, se insta al usuario a intentar corregirlas siguiendo una o varias de las siguientes medidas:

- Reorientar o reubicar la antena receptora.
- Aumentar la separación entre el equipo y el receptor.
- Solicitar asistencia al distribuidor o a un técnico de radio/TV con experiencia.

GUARDE ESTAS INSTRUCCIONES.

Declaración de conformidad

Declaramos bajo nuestra responsabilidad, que el producto descrito bajo “Datos técnicos” está en conformidad con las normas o documentos normalizados siguientes: EN 61010-1,

EN 60825-1 (aparatos de medición) y EN 60950-1 (cargador de acumuladores) de acuerdo con las disposiciones en las directivas 2006/95/CE, 2004/108/CE, 2006/42/CE.

Seguridad en el área de trabajo

Mantenga el área de trabajo limpia y bien iluminada. Las áreas desordenadas u oscuras invitan a que se produzcan accidentes.

NO utilice la herramienta láser cerca de niños ni deje que los niños utilicen la herramienta láser. El resultado podría ser lesiones graves en los ojos.

NO utilice al aire libre herramientas, aditamentos ni accesorios de medición cuando existan condiciones en que se produzcan rayos.

NO utilice al aire libre herramientas, aditamentos ni accesorios de medición cuando existan condiciones en que se produzcan rayos.

Seguridad eléctrica

Las baterías pueden explotar o tener fugas y causar lesiones o incendios. Para reducir este riesgo, siga siempre todas las instrucciones y advertencias que están en la etiqueta y en el paquete de las baterías.

NO haga cortocircuito en los terminales de las baterías.

NO cargue baterías alcalinas.

NO mezcle baterías viejas y nuevas. Reemplace todas las baterías al mismo tiempo con baterías nuevas de la misma marca y el mismo tipo.

NO mezcle las químicas de las baterías.

Deseche o recicle las baterías de acuerdo con el código local.

NO deseche las baterías en un fuego.

Mantenga las baterías fuera del alcance de los niños.

Retire las baterías de la herramienta cuando no la vaya a utilizar durante períodos prolongados. Durante el almacenamiento por períodos prolongados, las baterías se pueden corroer y autodescargar.

Seguridad personal

Manténgase alerta, fíjese en lo que está haciendo y use el sentido común cuando utilice una herramienta. No utilice una herramienta mientras esté cansado o bajo la influencia de drogas, alcohol o medicamentos. Un momento de descuido mientras se utiliza una herramienta puede causar lesiones personales graves o resultados de medición incorrectos.

Use equipo de seguridad. Use siempre protección de los ojos. El equipo de seguridad, tal como una máscara antipolvo, zapatos de seguridad antideslizantes, casco o protección de la audición, utilizado para las condiciones apropiadas, reducirá las lesiones corporales.

Tenga precaución cuando utilice herramientas de medición cerca de peligros eléctricos.

Use protección de los ojos. Si el nivel de burbuja se rompe, imprégnelo con material absorbente apropiado y deséchelo de manera segura. El nivel de burbuja contiene líquido inflamable que puede causar irritación de las vías respiratorias, los ojos y la piel.

Información sobre el ruido

ADVERTENCIA ¡No sostenga la herramienta de medición cerca del oído! Típicamente, el nivel de presión sonora con ponderación A de la señal de audio a un metro de distancia es de 75-85 db(A). Los valores de sonido medidos se han determinado de acuerdo con la norma EN60745. Pueden ocurrir lesiones graves.

Uso y cuidado

Use la herramienta correcta para la aplicación que vaya a realizar. La herramienta correcta de medición, detección y disposición hará el trabajo mejor y de manera más segura a la capacidad nominal para la que fue diseñada.

No utilice la herramienta si el interruptor no la enciende y apaga. Cualquier herramienta que no se pueda controlar con el interruptor es peligrosa y debe ser reparada.

Cuando no esté utilizando la herramienta, almacénela fuera del alcance de los niños y no deje que las personas que no estén familiarizadas con ella o con estas instrucciones utilicen la herramienta. Las herramientas son peligrosas en las manos de los usuarios que no hayan recibido capacitación.

Mantenga las herramientas. Compruebe si hay piezas desalineadas o que se atoren, si hay piezas rotas y si existe cualquier otra situación que pueda afectar al funcionamiento. Si la herramienta está dañada, se debe reparar antes de utilizarla. Muchos accidentes son causados por herramientas de medición, detección y disposición mal mantenidas.

Utilice la herramienta, los accesorios, etc., de acuerdo con estas instrucciones y de la manera prevista para el tipo específico de herramienta, teniendo en cuenta las condiciones de trabajo y el trabajo que se vaya a realizar. El uso de la herramienta para realizar operaciones distintas a las previstas podría causar una situación peligrosa.

Servicio

Haga que su herramienta reciba servicio de ajustes y reparaciones por un técnico de reparaciones calificado, utilizando únicamente piezas de repuesto idénticas. Esto asegurará que se mantenga la seguridad de la herramienta.

Desarrolle un programa de mantenimiento periódico para la herramienta. Siga los procedimientos de comprobación y recalibración indicados en el manual de instrucciones.

Desarrolle un programa de mantenimiento periódico para su herramienta. Cuando limpie una herramienta, tenga cuidado de no desarmar ninguna parte de la herramienta, ya que los cables internos se pueden descolocar o pellizcar, o se pueden montar incorrectamente. Ciertos agentes de limpieza, tales como gasolina, tetracloruro de carbono, amoniaco, etc., pueden dañar las piezas de plástico.

GUARDE ESTAS INSTRUCCIONES.

Uso previsto

Láser rotativo

El aparato de medición ha sido proyectado para determinar y controlar con exactitud niveles horizontales,

líneas perpendiculares, alineaciones y puntos de plomada.

El aparato de medición es apropiado para ser utilizado en el interior y a la intemperie.

⚠ ADVERTENCIA Sólo es posible trabajar de manera segura con el láser rotativo cuando la información de utilización de seguridad se lee por completo y las instrucciones de seguridad contenidas en el presente documento se siguen estrictamente. No haga nunca que las etiquetas de advertencia colocadas en el láser rotativo queden irreconocibles.

El uso de controles o ajustes, o la realización de procedimientos que no sean los especificados en este documento, puede causar exposición a radiación peligrosa.

El use de instrumentos ópticos con este producto aumentará el riesgo de lesiones en los ojos.

Haga que el láser rotativo sea reparado únicamente a través de un especialista calificado, utilizando piezas de repuesto originales. Esto garantiza que se mantenga la seguridad del láser rotativo.

No deje que los niños usen el láser rotativo sin supervisión. Podrían cegar accidentalmente a otras personas.

No utilice los anteojos de visión láser como anteojos de seguridad. Los anteojos de visión láser se utilizan para mejorar la visualización del rayo láser, pero no protegen contra la radiación láser.

No utilice los anteojos de visión láser como gafas de sol ni en tráfico. Los anteojos de visión láser no brindan protección completa contra los rayos UV y reducen la percepción de los colores.

Preparación

Inserción y cambio de la pila

⚠ ADVERTENCIA Apague **SIEMPRE** el láser y ponga **SIEMPRE** el interruptor de alimentación principal en la posición de apagado antes de retirar y reemplazar las baterías.


Se recomiendan baterías alcalinas para la herramienta.

Reemplace siempre todas las baterías al mismo tiempo. Utilice únicamente baterías de una marca y con capacidad idéntica.


Cuando no vaya a utilizar la herramienta durante períodos prolongados, retire las baterías. Durante el almacenamiento por períodos prolongados, las baterías se pueden corroer y autodescargar.

Al insertar las pilas, respete la polaridad correcta mostrada en el alojamiento de las mismas.

Es responsabilidad del usuario comprobar periódicamente la precisión de la herramienta de medición a medida que el trabajo progresa. Compruebe siempre la precisión de la herramienta de medición después de que ésta se haya caído o haya estado sometida a temperaturas extremas y variaciones de temperatura.

Para cambiar el bloque acumulador **14** gire el enclavamiento **15** a la posición  y saque el alojamiento de las pilas.

Siempre sustituya todas las pilas al mismo tiempo. Utilice pilas del mismo fabricante e igual capacidad.

Cierre el alojamiento de las pilas **14** y gire el enclavamiento **15** a la posición .

Si hubiese montado las pilas incorrectamente no es posible conectar el aparato de medición. Inserte las pilas respetando la polaridad.

⚠ ADVERTENCIA Saque las pilas del aparato de medida si pretende no utilizarlo durante largo tiempo. Tras un tiempo de almacenaje prolongado, las pilas se puede llegar a corroer y autodescargar.

indicador bajo de batería

Si el indicador de estado de carga **12** comienza a parpadear en rojo por primera vez, el aparato de medición puede seguirse utilizando unas 2 h.

Al encenderse permanentemente el indicador de estado de carga **12** no es posible realizar ninguna medición. El aparato de medición se desconecta automáticamente tras 1 min.

Datos Técnicos

Láser rotativo	GRL 240 HV	GRL 245 HV	GRL 250 HV
Alcance (Diámetro) ¹⁾ –sin receptor láser, aprox.	60 m 200 ft	60 m 200 ft	60 m 200 ft
–con receptor láser, aprox.	240 m 800 ft	240 m 800 ft	300 m 1000 ft
Precisión de nivelación ^{1) 2)}	± 2.0 mm @ 10 m ± 1/4" @ 100 ft	± 1.0 mm @ 10 m ± 1/8" @ 100 ft	± 1.0 mm @ 10 m ± 1/8" @ 100 ft
Margen de autonivelación, típico	± 8% (± 5°)	± 8% (± 5°)	± 8% (± 5°)
Tiempo de nivelación, típico	15 s	15 s	15 s
Velocidad de rotación	150/300/600min ⁻¹	150/300/600min ⁻¹	150/300/600min ⁻¹
Ángulos de apertura en operación lineal	10°/25°/50°	10°/25°/50°	10°/25°/50°
Temperatura de operación	0...+50°C	0...+50°C	0...+50°C
Temperatura de almace- namiento	-20...+70°C	-20...+70°C	-20...+70°C
Humedad relativa máx.	90 %	90 %	90 %
Clase de láser	2	2	3R
Tipo de láser	635nm, <1mW	635nm, <1mW	635nm, <5mW
Ø del rayo láser a la salida aprox ¹⁾	5mm	5mm	5mm
Fijación para trípode (horizontal)	5/8"-11	5/8"-11	5/8"-11
Pilas (alcalinas-manga- neso)	2 x 1.5 VD (LR20)	2 x 1.5 VD (LR20)	2 x 1.5 VD (LR20)
Autonomía aprox. –Pilas (alcalinas-manga- neso)	50 h	50 h	50 h
Peso según EPTA-Proce- dure 01/2003	1.8 kgs	1.8 kgs	1.8 kgs
Dimensiones	190 x 180 x 170 mm	190 x 180 x 170 mm	190 x 180 x 170 mm
Grado de protección	IP54 (étanche à la poussière et aux projections d'eau)	IP54 (étanche à la poussière et aux projec- tions d'eau)	IP54 (étanche à la poussière et aux projections d'eau)

1)a 20°C

2)a lo largo de los ejes

El número de serie **17** grabado en la placa de características permite identificar de forma unívoca el aparato de medición.

Preste atención al nº de artículo que figura en la placa de características de su aparato de medición, ya que pueden variar las denominaciones comerciales en ciertos aparatos de medición.

Datos Técnicos

Láser rotativo	GRL 300 HV	GRL 300 HVG
Alcance (Diámetro) ¹⁾ –sin receptor láser, aprox.	60 m 200 ft	100 m 330 ft
–con receptor láser, aprox.	300 m 1000 ft	300 m 1000 ft
Precisión de nivelación ^{1) 2)}	± 1.0 mm @ 10 m ± 1/8" @ 100 ft	± 1.0 mm @ 10 m ± 1/8" @ 100 ft
Margen de autonivelación, típico	± 8% (± 5°)	± 8% (± 5°)
Tiempo de nivelación, típico	15 s	15 s
Velocidad de rotación	150/300/600min ⁻¹	150/300/600min ⁻¹
Ángulos de apertura en operación lineal	10°/25°/50°	10°/25°/50°
Temperatura de operación	0...+50°C	0...+40°C
Temperatura de almace- namiento	-20...+70°C	-20...+70°C
Humedad relativa máx.	90 %	90 %
Clase de láser	3R	3R
Tipo de láser	635nm, <5mW	532nm, <5mW
Ø del rayo láser a la salida aprox ¹⁾	5mm	5mm
Fijación para trípode (horizontal)	5/8"-11	5/8"-11
Pilas (alcalinas-manga- neso)	2 x 1.5 VD (LR20)	2 x 1.5 VD (LR20)
Autonomía aprox. –Pilas (alcalinas-manga- neso)	50 h	30 h
Peso según EPTA-Proce- dure 01/2003	1.8 kgs	1.8 kgs
Dimensiones	190 x 180 x 170 mm	190 x 180 x 170 mm
Grado de protección	IP54 (étanche à la poussière et aux projections d'eau)	IP54 (étanche à la pou- sière et aux projections d'eau)

Características

La numeración de los componentes está referida a la imagen del aparato de medición en la página ilustrada.

Nivel láser rotacional

- 1** Indicador de sacudidas
- 2** Tecla del avisador de sacudidas
- 3** Indicador de nivelación automática
- 4** Tecla de conexión/desconexión del láser rotativo
- 5** Tecla para la operación con rotación y selección de la velocidad de rotación
- 6** Rayo láser orientable
- 7** Lente receptora para el mando a distancia

- 8** Abertura de salida del rayo láser
- 9** Rayo de plomada
- 10** Cabezal giratorio
- 11** Tecla para operación lineal y selección de la longitud de la línea
- 12** Indicador bajo de batería
- 13** LR 24/LR 30 Receptor láser*(el accesorio opcional en algunos modelos)
- 14** Alojamiento de las pilas

- 15** Enclavamiento del alojamiento de las pilas
- 16** Fijación para trípode de 5/8-11
- 17** Número de serie
- 18** Señal de aviso láser
- 19** Señal de aviso en abertura de salida del rayo láser (GRL 300 HVG, GRL 300 HV, GRL 250 HV)
- 20** Mando a distancia*
- 21** Trípode*
- 22** Escala de nivelación del láser de construcción*
- 23** LR 1/LR 1 G

- Receptor láser*
- 24** Gafas para láser*
- 25** Soporte mural/dispositivo de ajuste*
- 26** Tornillo de sujeción del soporte mural*
- 27** Tornillo en dispositivo de ajuste*
- 28** Tornillo de 5/8-11 del soporte mural*
- 29** Placa de medición para techos*
- 30** Maletín

*** El accesorio ilustrado no puede ser opcional en algunos modelos e incluido en el paquete estándar.**

Operación

Puesta en marcha

Proteja el aparato de medida de la humedad y de la exposición directa al sol.

No exponga el aparato de medición ni a temperaturas extremas ni a cambios bruscos de temperatura. No lo deje, p.ej., en el coche durante un largo tiempo. Si el aparato de medición ha quedado sometido a un cambio fuerte de temperatura, antes de ponerlo en servicio, esperar primero a que se atempere. Las temperaturas extremas o los cambios bruscos de temperatura pueden afectar a la precisión del aparato de medición.

Es responsabilidad del usuario comprobar periódicamente la precisión de la herramienta de medición a medida que el trabajo progresa. Compruebe siempre la precisión de la herramienta de medición después de que ésta se haya caído o haya estado sometida a temperaturas extremas y variaciones de temperatura.

Evite las sacudidas o caídas fuertes del aparato de medida. En caso de que el aparato de medida haya quedado sometido a unas sollicitaciones fuertes exteriores, antes de continuar trabajando con él deberá realizarse una comprobación de la precisión (ver "Precisión de nivelación").

Colocación del aparato de medición

Posición horizontal Posición vertical

Coloque el aparato de medición en posición horizontal o vertical sobre una base firme, fíjelo a un trípode **21**, o móntelo en un soporte mural **25** dotado con un dispositivo de ajuste.

Debido a su alta precisión de nivelación, el aparato de medición reacciona de manera muy sensible a las sacudidas y variaciones de nivel. Por ello, preste atención a que el aparato de medición esté colocado en una posición firme para evitar una discontinuidad en su funcionamiento al tener que autocorregir la nivelación.

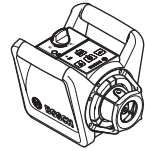
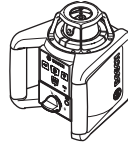
Conexión

NO dirija el rayo láser hacia personas o animales y no mire directamente al rayo láser, ni tan siquiera desde larga distancia.

No deje desatendida la herramienta láser cuando esté encendida y apáguela después de usarla. El rayo láser podría causar lesiones graves en los ojos.

Para **conectar** el aparato de medición pulse la tecla de conexión/desconexión **4**. Los indicadores **1**, **3** y **12** se iluminan brevemente. El aparato comienza inmediatamente con el proceso de nivelación automático. Durante el proceso de nivelación, el indicador de nivelación **3** parpadea de color verde y el láser parpadea en el modo de operación por puntos.

El aparato de medición se encuentra nivelado



cuando el láser y el indicador de nivelación **3** verde se iluminan permanentemente. Al finalizar el proceso de nivelación, el aparato de medición se pone a funcionar automáticamente en el modo de rotación.

Las teclas selectoras del modo de operación **5** y **11** le permiten fijar la modalidad deseada incluso durante el proceso de nivelación (ver "Modos de operación del láser rotativo"). En ese caso, una vez concluido el proceso de nivelación, el aparato de medición comienza a operar en la modalidad preseleccionada.

desconexión

Para **desconectar** el aparato de medición pulse nuevamente la tecla de conexión/desconexión **4**.



ADVERTENCIA

- **No deje desatendido el aparato de medición estando conectado, y desconéctelo después de cada uso.**

El aparato de medición se desconecta automáticamente para proteger las pilas si éste se encuentra fuera del margen de autonivelación durante más de 2 h, o si el avisador de sacudidas estuviese activo durante más de 2 h (ver "Nivelación automática del láser rotativo", página 51). Corrija la posición del aparato de medición y vuelva a conectarlo.

Instrucciones para la operación

- **Siempre utilice el centro del haz del láser para marcar un punto.** El tamaño del haz del láser varía con la distancia.

Modos de funcionamiento

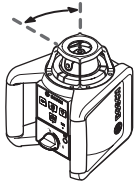
Vista general

Los tres modos de operación pueden aplicarse con el aparato de medición colocado en posición horizontal o vertical.



Operación con rotación

La operación con rotación es especialmente recomendable en combinación con el receptor láser. Ud. puede elegir entre diversas velocidades de rotación.



Operación lineal

En este modo de operación el rayo láser orientable efectúa un movimiento giratorio oscilante de recorrido limitado. En esta modalidad se percibe con mayor intensidad el rayo láser que al operar con rotación. Ud. puede optar entre diversos ángulos de oscilación.



Operación por puntos

En esta modalidad se consigue la mayor perceptibilidad del rayo láser orientable. Se emplea, p.ej., para trazar alturas o controlar alineaciones.

Operación con rotación (150/300/600 min⁻¹)



Siempre que conecte el aparato de medición éste se encuentra en el modo de operación con rotación a velocidad mediana.

Para cambiar del modo de operación lineal al modo rotativo, pulse la tecla para la operación con rotación **5**. La operación con rotación comienza a una velocidad de rotación mediana.


Para modificar la velocidad de rotación pulse de nuevo la tecla para la operación con rotación **5** hasta alcanzar la velocidad deseada.

Al trabajar con el receptor láser se recomienda emplear la velocidad de rotación máxima. Si trabaja

sin el receptor láser, reduzca la velocidad de rotación y emplee unas gafas para láser **24** para percibir mejor el rayo láser.

Operación lineal, operación por puntos (10°/25°/50°, 0°)

Para cambiar a la modalidad lineal o por puntos, pulse la tecla para la operación lineal **11**. El aparato de medición cambia a la operación lineal con el ángulo de oscilación más pequeño.

Para cambiar el ángulo de oscilación pulse la  tecla de operación lineal **11**. El ángulo de oscilación es aumentado en dos etapas incrementándose al mismo tiempo la velocidad de rotación en cada etapa. Al pulsar por tercera vez la tecla de operación lineal **11**, tras un breve lapso de ajuste, el aparato de medición cambia al modo de operación por puntos. Pulsando nuevamente la tecla **11** se ajusta otra vez la operación lineal con el ángulo de oscilación mínimo.

Observación: Por efecto de la inercia puede ocurrir que el haz del láser sobrepase ligeramente los puntos extremos de la línea.

Para posicionar la línea o el punto del láser dentro del plano de rotación gire el cabezal giratorio **10** a la posición deseada a mano, o bien, con el mando a distancia **20**.

Giro del plano de rotación en posición vertical

Con el aparato de medición en posición vertical puede Ud. girar con el mando a distancia **20** el punto del láser, la línea del láser, o el plano de rotación respecto al eje vertical. Observe al respecto las instrucciones de servicio del mando a distancia.

Precisión de nivelación

Nivelación automática del láser rotativo

Vista general

Tras su conexión, el aparato de medición detecta automáticamente si se encuentra en posición horizontal o vertical. Para cambiar de posición el aparato de medición, desconéctelo primero y vuélvalo a conectar después de haberlo colocado en la otra posición.

Al conectar el aparato de medición, éste controla primero si se encuentra en la posición horizontal o vertical, y compensa automáticamente posibles desniveles, siempre que se encuentren dentro del margen de autonivelación de aprox. 8 % (5°).

Si después de la conexión, o un cambio de posición del aparato de medición, éste tuviese una inclinación superior a un 8 %, no es posible que el aparato se nivele de forma automática. En este caso se detiene el rotor, el láser parpadea, y el indicador de nivelación **3** se enciende permanentemente de color rojo. Corrija convenientemente la posición del aparato de medición y espera que se nivele. Si no se corrige la posición, el láser se desconecta automáticamente después de 2 min, y el aparato de medición transcurre 2 h.

Una vez nivelado el aparato de medición, éste controla continuamente las posibles variaciones respecto a la posición horizontal o vertical. En caso de alterarse la posición, el nivel es corregido automáticamente. Para evitar mediciones erróneas durante el proceso de nivelación, el rotor se detiene, el láser parpadea, y el indicador de nivelación **3** parpadea de color verde.

Función del avisador de sacudidas



El aparato de medición dispone de un avisador de sacudidas que no permite renivelar en caso de un cambio de posición, al sufrir sacudidas el aparato de medición, o al vibrar el firme, evitando así que se obtengan mediciones erróneas.

Para **conectar** el avisador de sacudidas pulse la tecla del avisador de sacudidas **2**. El indicador de sacudidas **1** se enciende permanentemente de color verde y tras 30 s se activa el avisador de sacudidas.

El avisador de sacudidas se dispara en caso de alterar la posición del aparato de medición de manera que llegue a superarse el margen de la precisión de nivelación, o en caso de detectarse una fuerte sacudida: La rotación se interrumpe, el láser parpadea, el indicador de nivelación **3** se apaga y el indicador de sacudidas **1** parpadea

de color rojo. El modo de operación actual es memorizado.

Si ha se disparado el avisador de sacudidas pulse la tecla del avisador de sacudidas **2**. El avisador de sacudidas se vuelve a activar y el aparato de medición inicia el proceso de nivelación. Una vez nivelado el aparato de medición (el indicador de nivelación **3** verde se ilumina permanentemente) éste comienza a trabajar en el modo de operación memorizado. Controle entonces la altura del rayo láser tomando un punto de referencia y corrija su altura, si procede.

Si, habiéndose disparado el avisador de sacudidas, la función no vuelve a activarse pulsando la tecla **2**, el láser se desconecta automáticamente después de 2 min y el aparato de medición después de 2 h.

Para **desactivar** la función del avisador de sacudidas, pulse una vez la tecla del avisador de sacudidas **2**, y vuelva a pulsarla de nuevo si se hubiese disparado el avisador de sacudidas (el indicador de sacudidas **1** parpadea). Una vez desactivado el avisador de sacudidas se apaga el indicador de sacudidas **1**.

Factores que afectan a la precisión

La influencia más fuerte la tiene la temperatura ambiente. Especialmente las variaciones de temperatura que pudieran existir a diferente altura respecto al suelo pueden provocar una desviación del rayo láser.

Las desviaciones resultan apreciables a partir de una distancia aprox. de 20 m, y a distancias de 100 m pueden suponer desde el doble hasta el cuádruple de la desviación obtenida a 20 m.

Ya que las variaciones de temperatura son mayores cerca del suelo se recomienda montar siempre el aparato de medición sobre un trípode al medir distancias superiores a los 20 m. Siempre que sea posible, coloque además el aparato de medición en el centro del área de trabajo.

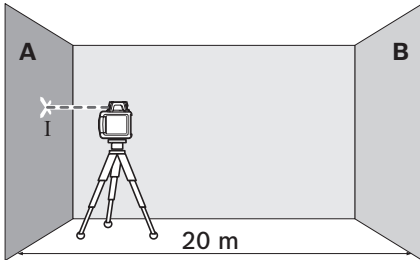
Comprobación de la precisión del aparato de medición

Además de las influencias externas, también aquellas propias del aparato (p.ej. caídas o fuertes golpes) pueden provocar ciertos errores de medición. Por ello, antes de comenzar a trabajar, recomendamos controlar primero la precisión del aparato de medición.

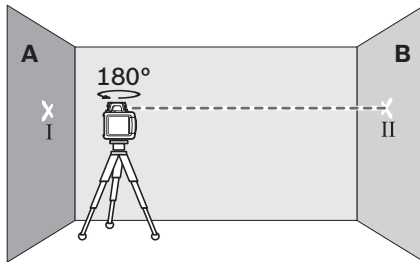
Para la comprobación se requiere un tramo libre de 20 m, de firme consistente, entre dos paredes A y B. Es necesario realizar – con el aparato de medición en posición horizontal – una medición

combinada para ambos ejes X e Y (positiva y negativa, respectivamente, o sea 4 procesos de medición completos).

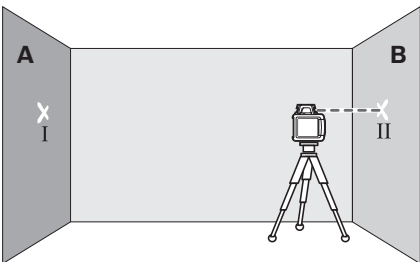
- Coloque el aparato de medición en posición horizontal cerca de la pared A montándolo sobre un trípode **21** (accesorio especial), o colocándolo sobre un firme consistente y plano. Conecte el aparato de medición.



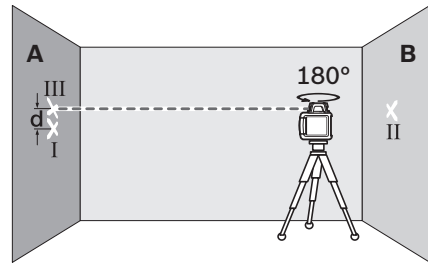
- Una vez concluido el proceso de nivelación oriente el rayo láser en la modalidad de operación por puntos contra la cercana pared A. Marque en la pared el centro del rayo láser (punto I).



- Gire 180° el aparato de medición, espere a que se haya nivelado, y marque el centro del rayo láser en la pared opuesta B (punto II).
- Posicione el aparato de medición – sin girarlo – cerca de la pared B, conéctelo, y espere a que se nivele.



- Variar el nivel de altura del aparato de medición (con el trípode o bien calzándolo) de manera que el centro del haz incida exactamente contra el punto II marcado previamente en la pared B.



- Gire 180° el aparato de medición, sin modificar su altura. Espere a que se haya nivelado, y marque el centro del rayo láser en la pared A (punto III). Preste atención a que el punto III esté lo más perpendicular posible por encima o por debajo del punto I.
- La diferencia d entre ambos puntos I y III marcados sobre la pared A corresponde a la desviación real del aparato para el eje medido.

Repita este proceso de medición para los otros tres ejes. Para ello, antes de iniciar cada proceso de medición, gire 90° el aparato de medición.

En un tramo de medición de $2 \times 20 \text{ m} = 40 \text{ m}$, la desviación máxima admisible es de:

$40 \text{ m} \times \pm 0,1 \text{ mm/m} = \pm 4 \text{ mm}$. (Para el modelo GRL 240 HV, la desviación permisible máxima es: $40 \text{ m} \times \pm 0,06 \text{ mm/m} = \pm 8 \text{ mm}$).

Por lo tanto, la diferencia entre los puntos I y III en cada una de las cuatro mediciones, deberá ser como máximo de 8 mm (Para el modelo GRL 240 HV, máximo de 16 mm).

Si al realizar estas cuatro comprobaciones se llegase a sobrepasar en alguna de ellas la desviación máxima admisible, deje revisar el aparato de medición en un servicio técnico Bosch.

Aplicaciones

Visualización de líneas/planos verticales (ver figura B)

Para visualizar líneas perpendiculares o planos verticales coloque el aparato de medición en posición vertical. Si desea que el plano vertical forme un ángulo recto con una línea de referencia (p.ej. una pared), alinee el rayo de plomada **9** con dicha línea de referencia.

La línea perpendicular es representada por el rayo láser **6** variable.

Operación sin receptor láser (ver figura C)

Si las condiciones de luz son favorables (entorno oscuro) y si las distancias son cortas, puede Ud. trabajar sin el receptor láser. Para mejorar la visibilidad del rayo láser seleccione la operación lineal o ajuste la operación por puntos y oriente manualmente el cabezal giratorio **10** contra el punto previsto.

Operación con receptor láser (ver figura D)

Si las condiciones de luz fuesen desfavorables (entorno

claro, radiación solar directa) o si las distancias fuesen grandes, utilice el receptor láser para detectar más fácilmente el rayo láser. Al trabajar con el receptor láser en el modo de rotación elija la velocidad de rotación más alta.

Medición a gran distancia (ver figura E)

Al medir a gran distancia es necesario emplear el receptor láser para lograr localizar el rayo láser.

Para reducir los efectos perturbadores se recomienda siempre colocar el aparato de medición sobre un trípode en el centro de la superficie de trabajo.

Operación en el exterior (ver figura F)

Al usarse en el exterior se recomienda utilizar siempre el receptor láser. Si el firme fuese irregular monte sobre un trípode **21** el aparato de medición. Active el avisador de sacudidas para evitar mediciones erróneas en caso de que el firme ceda, o si el aparato de medición queda sometido a sacudidas.

Cuadro sinóptico de los indicadores

	Rayo láser	Rotación del láser*	Verde	Rojo	Verde	Rojo
Conexión del aparato de medición (autodiagnóstico 1 s)			●		●	●
Nivelación o corrección de la nivelación	2x/s	○	2x/s			
Aparato de medición nivelado/ en disposición de funcionamiento	●	●	●			
Se ha excedido el margen de autonivelación	2x/s	○		●		
Avisador de sacudidas activado					●	
El avisador de sacudidas se ha disparado	2x/s	○				2x/s
Tensión de la pila para operar ≤ 2 h						2x/s
Pila agotada	○	○				●

* en operación lineal y con rotación

2x/s Frecuencia de centelleo (dos veces por segundo)

● Operación permanente

○ Función desactivada

Utilice con accesorio

Gafas para láser (accesorio especial)

⚠ ADVERTENCIA **No utilice los anteojos de visión láser como anteojos de seguridad.** Los anteojos de visión láser se utilizan para mejorar la visualización del rayo láser, pero no protegen contra la radiación láser.

No utilice los anteojos de visión láser como gafas de sol ni en tráfico. Los anteojos de visión láser no brindan protección completa contra los rayos UV y reducen la percepción de los colores.

Las gafas para láser filtran la luz del entorno. Ello permite apreciar con mayor intensidad la luz roja del láser.

- **No use las gafas para láser como gafas de protección.** Las gafas para láser le ayudan a detectar mejor el rayo láser, pero no le protegen de la radiación láser.
- **No emplee las gafas para láser como gafas de sol ni para circular.** Las gafas para láser no le protegen suficientemente contra los rayos ultravioleta y además no le permiten apreciar correctamente los colores.

Operación con receptor láser (accesorio especial)

⚠ ADVERTENCIA **Haga que su herramienta de medición profesional reciba servicio de ajustes y reparaciones por una persona únicamente piezas de repuesto idénticas.** Esto garantizará que se mantenga la seguridad de la herramienta.

Lea y siga estrictamente las advertencias de seguridad contenidas en las instrucciones de utilización del láser rotativo.

Si las condiciones de luz fuesen desfavorables (entorno claro, radiación solar directa) o si las distancias fuesen grandes, utilice el receptor láser para detectar más fácilmente el rayo láser **23** y **13**.

Al trabajar con el receptor láser en el modo de rotación elija la velocidad de rotación más alta.

Para trabajar con el receptor láser lea y atégase a las instrucciones de uso del mismo.

Operación con el mando a distancia (accesorio especial)

Al pulsar las teclas de manejo del aparato de medición puede ocurrir que éste llegue a desnivelarse, en cuyo caso se interrumpe brevemente el movimiento de rotación. Aplicando un mando a distancia **20** se anula este efecto.

Las lentes de recepción **7** para el mando a distancia van colocadas en tres lados del aparato de medición, p.ej. (El modelo GRL 240 HV / GRL 245 HV tiene un lente de recepción sencillo ubicado en la parte delantera de la herramienta láser), por encima del panel de mando en el frente.

Operación con trípode (accesorio especial)

El aparato de medición incorpora una fijación para trípode de 5/8" para la operación horizontal.

Encare la fijación para trípode **16** del aparato de medición con la rosca de 5/8" del trípode, y sujételo apretando el tornillo de fijación del mismo.

En los trípodes **21** de columna con escala graduada puede ajustarse directamente el desnivel en altura.

Operación con soporte mural y dispositivo de ajuste (accesorio especial) (ver figura A)

El aparato de medición puede montarse también en un soporte mural dotado con un dispositivo de ajuste **25**. Para ello, enrosque el tornillo de 5/8" **28** del soporte mural en la fijación para trípode **16** del aparato de medición.

Fijación a la pared: La fijación a la pared es recomendable, p.ej., al realizar trabajos a una altura superior a la de un trípode, o al trabajar sobre firmes inestables y sin trípode. Para ello sujete a la pared el soporte mural **25** con el aparato de medición montado, cuidando que quede lo más perpendicular posible.

Para montarlo en la pared puede Ud. sujetar el soporte mural **25** con el tornillo de sujeción **26** a un listón de un ancho máximo de 8 mm, o colgarlo con dos ganchos.

Montaje sobre un trípode: La fijación para trípode situada al dorso del soporte mural **25** permite sujetarlo también a un trípode. Este tipo de sujeción es especialmente recomendable para aquellos trabajos en los que el plano de rotación deba coincidir con una línea de referencia.

Con el dispositivo de ajuste, el aparato de medición acoplado puede desplazarse verticalmente (fijación a la pared) u horizontalmente (montaje sobre trípode) dentro de un margen de 16 cm, aprox. Para ello, afloje el tornillo **27** del dispositivo de ajuste, desplace el aparato de medición a la posición deseada, y apriete firmemente el tornillo **27**.

Aplicación de la placa de medición para techos (ver figura A)

La placa de medición para techos **29** puede usarse, p.ej., para nivelar fácilmente falsos techos a la misma altura.

Sujete la placa de medición para techos con el soporte magnético, p.ej., a una viga.

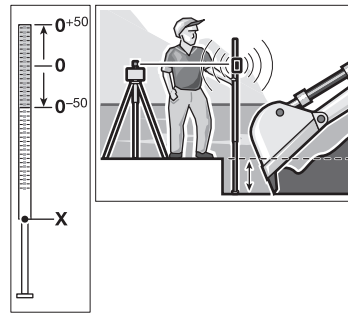
La mitad reflectante de la placa de medición para techos hace más perceptible el rayo láser y la otra mitad, transparente, permite ver el rayo láser también por el dorso.

⚠ ADVERTENCIA **Aplicación de la escala de nivelación (accesorio especial) (ver figura F)**

No utilice la herramienta durante tormentas ni cerca de alto voltaje. Riesgo de ser alcanzado por rayos o de electrocución.

Mantenga la herramienta a una distancia segura de las instalaciones eléctricas. Cuando sea esencial trabajar en este entorno, contacte primero a las autoridades de seguridad responsables de las instalaciones eléctricas y siga las instrucciones de dichas autoridades.

Para controlar planicies o para trazar



desniveles se recomienda utilizar la escala de nivelación **22** junto con el receptor láser.

La escala de nivelación **22** lleva en su parte superior una escala relativa (± 50 cm). El nivel de altura de su punto de cero puede ajustarse en la base extraíble. De esta manera es posible

Mantenimiento y servicio

⚠ ADVERTENCIA **Mantenga limpios siempre el láser rotativo y el cargador.**

Cada vez que vaya a usar la herramienta, compruébela antes de usarla.

Mantenga la herramienta limpia y seca en todo momento para asegurar una utilización apropiada y segura.

No sumerja el láser rotativo ni el cargador en agua ni en otros líquidos.

Limpiar el aparato con un paño húmedo y suave. No usar detergentes ni disolventes.

Limpie con regularidad el láser rotativo, sobre todo el área en torno a la abertura de salida del láser, cuidando que no queden motas.

Limpie regularmente las superficies de la abertura de salida del láser. En el caso de daños visibles o componentes flojos en el interior de la herramienta, el funcionamiento de manera segura ya no está garantizado.

Si a pesar de los esmerados procesos de fabricación y control, el láser rotativo o el cargador llegasen a averiarse, la reparación

deberá encargarse a un taller de servicio autorizado para herramientas eléctricas Bosch.

No abra Ud. el láser rotativo ni el cargador.

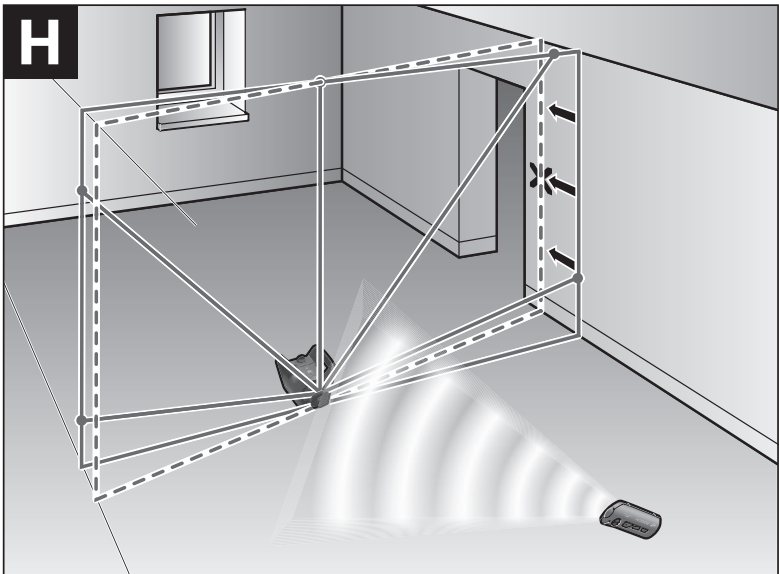
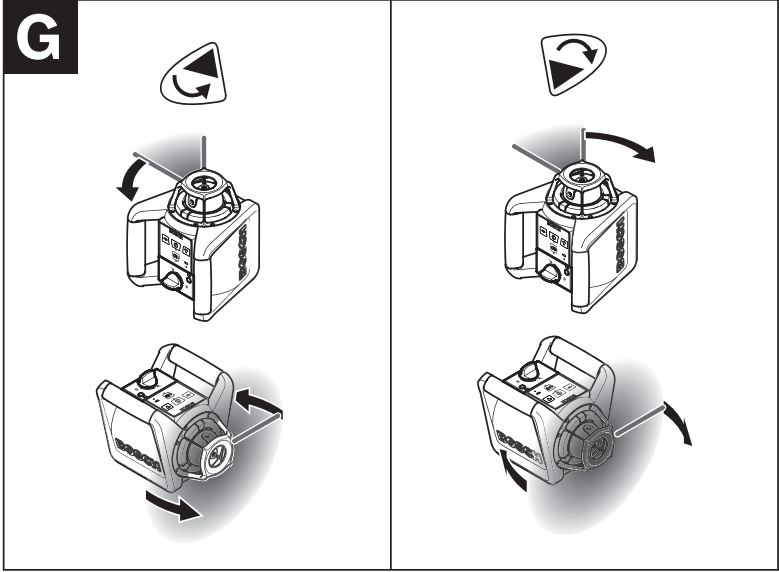
Para cualquier consulta o pedido de piezas de repuesto es imprescindible indicar el nº de artículo de 10 dígitos que figura en la placa de características del láser rotativo o del cargador.

En caso de una reparación, envíe el aparato en el estuche de protección **30**.

PROTECCIÓN AMBIENTAL

Recicle las materias primas y las baterías en lugar de desecharlas como desperdicios. La unidad, los accesorios, el empaquetamiento y las baterías usadas se deben separar para reciclarlos de manera respetuosa con el medio ambiente, de acuerdo con los reglamentos más recientes.





RC1 Nomas generales de seguridad



Deberán leerse y respetarse todas las instrucciones.
GUARDE ESTAS INSTRUCCIONES EN UN LUGAR SEGURO.

- **Únicamente haga reparar el mando a distancia por un profesional, empleando exclusivamente piezas de repuesto originales.** Solamente así se mantiene la funcionalidad del mando a distancia.
- **No utilice el mando a distancia en un entorno con peligro de explosión, en el que se encuentren combustibles líquidos, gases o material en polvo.** El mando a distancia puede producir chispas e inflamar los materiales en polvo o vapores.
- **Lea y atégase estrictamente a las instrucciones de seguridad que figuran en las instrucciones de manejo del láser rotativo.**

RC1 Uso previsto

El mando a distancia ha sido diseñado para gobernar láser rotativos en interiores y exteriores.

RC1 Preparación

Inserción y cambio de la pila

Se recomienda utilizar pilas alcalinas de manganeso en el mando a distancia.

Para abrir la tapa del alojamiento de la pila **8A** presione el enclavamiento **9A** en sentido de la flecha y retire la tapa. Inserte la pila que se adjunta. Respete la polaridad indicada en el

alojamiento de las pilas.

- **Saque la pila del mando a distancia si pretende no utilizarlo durante largo tiempo.** Con el transcurso del tiempo la pila puede llegarse a corroer o autodescargar.

RC1 Datos Técnicos

Mando a distancia	RC1
Alcance ¹⁾	30 m
Temperatura de operación	-10 °C ~ +50 °C
Temperatura de almacenamiento	-20 °C ~ +70 °C
Pila	1 x 1,5 V LR06 (AA)
Peso según EPTA-Procedure 01/2003	69 g

1) El trabajo bajo unas condiciones ambientales desfavorables (p.ej. en caso de una exposición directa al sol) puede llegar a mermar el alcance del aparato.

Preste atención al nº de artículo que figura en la placa de características de su mando a distancia, ya que la denominación comercial de algunos de ellos puede variar.

El número de serie **10A** grabado en la placa de características permite identificar de forma unívoca el mando a distancia.

RC1 Características

La numeración de los componentes está referida a la imagen del mando a distancia en la página ilustrada.

- 1A** Tecla para la operación con rotación y selección de la velocidad de rotación
- 2A** Tecla para operación lineal y selección de la longitud de la línea
- 3A** Tecla de reset del avisador de sacudidas
- 4A** Tecla "Giro en el sentido de las agujas del reloj"

- 5A** Tecla "Giro en sentido contrario a las agujas del reloj"
- 6A** Indicador de operación
- 7A** Abertura de salida del rayo infrarrojo
- 8A** Tapa del alojamiento de las pilas
- 9A** Enclavamiento de la tapa del alojamiento de las pilas
- 10A** Número de serie

Los accesorios descritos e ilustrados no corresponden al material que se adjunta de serie.

RC1 Operación

Puesta en marcha

- **Proteja el mando a distancia de la humedad y de la exposición directa al sol.**
- **No exponga el mando a distancia ni a temperaturas extremas ni a cambios bruscos de temperatura.** No lo deje, p.ej., en el coche durante un largo tiempo. Si el mando a distancia ha sufrido un cambio fuerte de temperatura, antes de ponerlo en servicio, esperar primero a que se atempere.

El mando a distancia queda en disposición de funcionamiento siempre que sea suficiente la tensión de la pila aplicada.

Coloque el láser rotativo de manera que las señales que emite el mando a distancia incidan directamente sobre una de las lentes de recepción del láser rotativo (ver instrucciones de manejo del láser rotativo). El alcance del mando a distancia se reduce si éste no puede orientarse directamente contra una de las lentes de recepción. El alcance en señales indirectas puede que vuelva a mejorar si la señal es reflejada (p.ej. por paredes).

Tras pulsar una de las teclas del mando a distancia se enciende el indicador de operación **6A** para indicar que se ha emitido una señal.

El láser rotativo no puede conectarse/desconectarse con el mando a distancia.

RC1 Modos de funcionamiento

Informaciones detalladas sobre las funciones del láser rotativo las encontrará en las instrucciones de servicio del mismo.



Operación con rotación (150/300/600 min-1)

La función de la tecla para operación con rotación **1A** del mando a distancia es idéntica a aquella del láser rotativo.

Siempre que conecte el láser rotativo éste se encuentra en el modo de operación con rotación a velocidad mediana.

Para cambiar del modo de operación lineal al modo rotativo, pulse a tecla para la operación con rotación **1A**. La operación con rotación comienza a una velocidad de rotación mediana.

Para modificar la velocidad de rotación pulse de nuevo la tecla para a operación con rotación **1A** hasta alcanzar la velocidad deseada.



Operación lineal, operación por puntos (10°/25°/50°, 0°)

La función de la tecla para operación lineal **2A** del mando a distancia es idéntica a aquella del láser rotativo.

Para cambiar a la modalidad lineal o por puntos,

pulse la tecla para la operación lineal **2A**. El láser rotativo cambia a la operación lineal con el ángulo de oscilación más pequeño.

Para cambiar el ángulo de oscilación pulse la tecla de operación lineal **2A**. El ángulo de oscilación es aumentado en dos etapas incrementándose al mismo tiempo la velocidad de rotación en cada etapa.

Al pulsar por tercera vez la tecla de operación lineal **2A**, tras un breve lapso de ajuste, el láser rotativo cambia al modo de operación por puntos. Pulsando nuevamente la tecla **2A** se ajusta otra vez la operación lineal con el ángulo de oscilación mínimo.

Observación: Por efecto de la inercia puede ocurrir que el haz del láser sobre pase ligeramente los puntos extremos de la línea.



Giro de la línea/punto láser o del plano de rotación (ver figura G)

El giro de la línea/punto láser o del plano de rotación solamente puede llevarse a cabo con el mando a distancia.

Con el láser rotativo en **posición horizontal** puede

Ud. posicionar la línea láser (en la operación lineal) o el punto del láser (en la operación por puntos) dentro del plano de rotación del láser. El giro puede ser de hasta 360°.

Para efectuar una rotación en el sentido de las agujas del reloj pulse la tecla **4A**, y si lo desea hacer en sentido inverso, pulse la tecla **5A**.

En la operación con rotación ambas teclas se mantienen inoperativas.

Con el láser rotativo en **posición vertical** puede Ud. girar el punto de láser, la línea del láser, o el plano de rotación respecto al eje vertical.

Este giro solamente puede realizarse dentro del margen de autonivelación (5° hacia la izquierda o derecha).

Para efectuar una rotación hacia la derecha pulse la tecla **4A** y para realizarlo hacia la izquierda pulse la tecla **5A**.



Reset del avisador de sacudidas

El láser rotativo dispone de un avisador de sacudidas que no permite que el láser rotativo sea renivelado si se desniveló al cambiarlo de posición, sufrir una sacudida, o al vibrar el firme, evitando

así que se obtengan mediciones erróneas.

La conexión y desconexión del avisador de sacudidas solamente puede realizarse en el láser rotativo. Si el avisador de sacudidas se disparó éste puede volver a rearmarse con el mando a distancia.

Al dispararse el avisador de sacudidas del láser rotativo, la rotación del láser se interrumpe, el láser parpadea, el indicador de nivelación se apaga, y el indicador de sacudidas parpadea de color rojo. El modo de operación actual es memorizado.

Si se ha disparado el avisador de sacudidas pulse la tecla de reset del avisador de sacudidas **3A**.

El avisador de sacudidas se rearma de nuevo y el aparato de medición inicia el proceso de nivelación. Una vez nivelado el láser rotativo (el indicador de nivelación del láser rotativo se ilumina permanentemente de color verde) éste comienza a trabajar en el modo de operación memorizado. Controle entonces la altura del rayo láser respecto a un punto de referencia y corrija su altura, si procede.

RC1 Aplicaciones

Ejemplo de aplicación

Giro del plano de rotación en posición vertical (ver figura H)

Para alinear la línea láser vertical o el plano de rotación con un punto de referencia en la pared coloque el láser

rotativo en la posición vertical y alinee de forma aproximada la línea láser vertical o el plano de rotación con dicho punto de referencia. Para la alineación exacta con el punto de referencia pulse la tecla **4A** (giro a derechas) o **5A** (giro a izquierdas).

RC1 Mantenimiento y servicio

Mantenimiento y limpieza

Mantenga limpio siempre el mando a distancia.

No sumerja el mando a distancia en agua ni en otros líquidos.

Limpiar el aparato con un paño húmedo y suave. No usar detergentes ni disolventes.

Si a pesar de los esmerados procesos de fabricación y control, el mando a distancia llegase a averiarse, la reparación deberá encargarse a un taller de servicio autorizado para herramientas eléctricas Bosch. No abra Ud. mismo el mando a distancia.

Para cualquier consulta o pedido de piezas

de repuesto es imprescindible indicar el nº de artículo de 10 dígitos que figura en la placa de características del mando a distancia.

PROTECCIÓN AMBIENTAL

Recicle las materias primas y las baterías en lugar de desecharlas como desperdicios. La unidad, los accesorios, el empaquetamiento y las baterías usadas se deben separar para reciclarlos de manera respetuosa con el medio ambiente, de acuerdo con los reglamentos más recientes.



GARANTÍA LIMITADA PARA PRODUCTOS DE HERRAMIENTAS LÁSER Y DE MEDICIÓN BOSCH

Robert Bosch Tool Corporation (el "Vendedor") garantiza, solamente al comprador original, que todas las herramientas láser y de medición Bosch estarán libres de defectos de material o de fabricación durante un periodo de un (1) año a partir de la fecha de compra. Bosch extenderá la cobertura de garantía a dos (2) años cuando usted registre su producto dentro del plazo de ocho (8) semanas a partir de la fecha de compra. La tarjeta de registro del producto debe ser completada y enviada por correo a Bosch (sellada por la oficina de correos dentro del plazo de ocho semanas después de la compra), o usted puede registrar su producto por Internet en www.boschtools.com/Service/ProductRegistration. Si decide no registrar su producto, al mismo se le aplicará una garantía limitada de un (1) año.

Reembolso de devolución del dinero o reemplazo durante 30 días:

Si no está completamente satisfecho con el rendimiento de sus herramientas láser y de medición, por cualquier motivo, puede devolver el producto a su distribuidor Bosch dentro del plazo de 30 días a partir de la fecha de compra para obtener un reembolso completo o un reemplazo. Para obtener este reembolso o reemplazo dentro del plazo de 30 días, su devolución debe estar acompañada por el recibo de compra original del producto tipo láser o instrumento óptico. Se permitirá un máximo de 2 devoluciones por cliente.

LA OBLIGACIÓN EXCLUSIVA DEL VENDEDOR Y EL RECURSO EXCLUSIVO QUE USTED TIENE bajo esta Garantía Limitada y, en hasta donde la ley lo permita, cualquier garantía o condición implícita por ley, consistirán en la reparación o el reemplazo de las piezas, sin cargo, que presenten defectos de material o de fabricación y que no hayan sido utilizadas incorrectamente, manejadas descuidadamente o reparadas incorrectamente por personas que no sean el Vendedor o un Centro de Servicio Autorizado. Para presentar un reclamo bajo esta Garantía Limitada, usted debe devolver la herramienta láser o de medición Bosch completa, con el transporte prepago, a cualquier Centro de Servicio de Fábrica o Centro de Servicio Autorizado BOSCH. Sírvase incluir un comprobante de compra fechado con su herramienta. Para averiguar las ubicaciones de los centros de servicio cercanos, sírvase usar nuestro localizador de servicio por Internet o llamar al 1-877-267-2499.

ESTE PROGRAMA DE GARANTÍA NO SE APLICA A LOS TRÍPODES NI A LAS VARILLAS. Robert Bosch Tool Corporation (el "Vendedor") garantiza los trípodes y las varillas niveladoras durante un período de un (1) año a partir de la fecha de compra.

ESTA GARANTÍA LIMITADA NO SE APLICA A OTROS ARTÍCULOS ACCESORIOS NI ARTÍCULOS RELACIONADOS. ESTOS ARTÍCULOS RECIBEN UNA GARANTÍA LIMITADA DE 90 DÍAS.

Para presentar un reclamo bajo esta Garantía Limitada, usted debe devolver el producto completo, con el transporte prepago. Para obtener detalles con el fin de presentar un reclamo bajo esta Garantía Limitada, sírvase visitar www.boschtools.com o llamar al 1-877-267-2499.

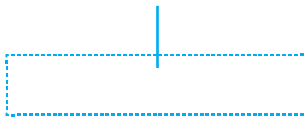
TODAS LAS GARANTÍAS IMPLÍCITAS ESTARÁN LIMITADAS EN DURACIÓN A UN A—O A PARTIR DE LA FECHA DE COMPRA. ALGUNOS ESTADOS DE LOS EE.UU. Y ALGUNAS PROVINCIAS CANADIENSES NO PERMITEN LIMITACIONES EN CUANTO A LA DURACIÓN DE UNA GARANTÍA IMPLÍCITA, POR LO QUE ES POSIBLE QUE LA LIMITACIÓN QUE ANTECEDE NO TENGA APLICACIÓN EN EL CASO DE USTED.

EL VENDEDOR NO SERÁ RESPONSABLE EN NINGÚN CASO POR DA—OS INCIDENTALES O EMERGENTES (INCLUYENDO PERO SIN ESTAR LIMITADOS A RESPONSABILIDAD POR PÉRDIDA DE UTILIDADES) QUE SURJAN DE LA VENTA DE ESTE PRODUCTO. ALGUNOS ESTADOS DE LOS EE.UU. Y ALGUNAS PROVINCIAS CANADIENSES NO PERMITEN LA EXCLUSIÓN NI LA LIMITACIÓN DE LOS DA—OS INCIDENTALES O EMERGENTES, POR LO QUE ES POSIBLE QUE LA LIMITACIÓN QUE ANTECEDE NO TENGA APLICACIÓN EN EL CASO DE USTED.

ESTA GARANTÍA LIMITADA LE CONFIERE A USTED DERECHOS LEGALES ESPECÍFICOS Y ES POSIBLE QUE USTED TENGA TAMBIÉN OTROS DERECHOS QUE VARIAN DE UN ESTADO A OTRO EN LOS EE.UU. O DE UNA PROVINCIA A OTRA EN CANADÁ Y DE UN PAÍS A OTRO.

ESTA GARANTÍA LIMITADA SE APLICA SÓLO A LOS PRODUCTOS VENDIDOS EN LOS ESTADOS UNIDOS DE AMÉRICA, CANADÁ Y LA MANCOMUNIDAD DE PUERTO RICO. PARA OBTENER COBERTURA DE GARANTÍA EN OTROS PAÍSES, CONTACTE A SU DISTRIBUIDOR O IMPORTADOR BOSCH LOCAL.

Insert Barcode



© Robert Bosch Tool Corporation
1800 W. Central Road Mt. Prospect, IL 60056-2230

Exportado por: Robert Bosch Tool Corporation
Mt. Prospect, IL 60056-2230, E.U.A.

Importado en México por: Robert Bosch, S.A. de C.V., Calle Robert Bosch No. 405, Zona Industrial, Toluca, Edo. de México, C.P. 50070, Tel. (722) 2792300