

**IMPORTANT:**  
Read Before Using

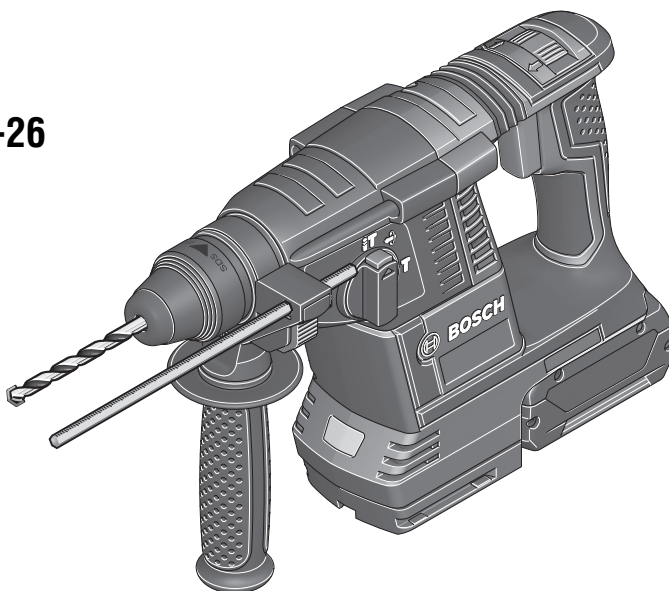
**IMPORTANT :**  
Lire avant usage

**IMPORTANTE:**  
Leer antes de usar



**Operating/Safety Instructions**  
**Consignes de fonctionnement/sécurité**  
**Instrucciones de funcionamiento y seguridad**

**GBH18V-26**



**BOSCH**

Call Toll Free for  
Consumer Information  
& Service Locations

Pour obtenir des informations  
et les adresses de nos centres  
de service après-vente,  
appelez ce numéro gratuit

Llame gratis para  
obtener información  
para el consumidor y  
ubicaciones de servicio

**1-877-BOSCH99 (1-877-267-2499) [www.boschtools.com](http://www.boschtools.com)**





For English Version  
See page 2

Version française  
Voir page 16

Versión en español  
Ver la página 30

## Safety Symbols

The definitions below describe the level of severity for each signal word. Please read the manual and pay attention to these symbols.

	This is the safety alert symbol. It is used to alert you to potential personal injury hazards. Obey all safety messages that follow this symbol to avoid possible injury or death.
	DANGER indicates a hazardous situation which, if not avoided, will result in death or serious injury.
	WARNING indicates a hazardous situation which, if not avoided, could result in death or serious injury.
	CAUTION, used with the safety alert symbol, indicates a hazardous situation which, if not avoided, will result in minor or moderate injury.

## General Power Tool Safety Warnings

**WARNING** Read all safety warnings and all instructions. Failure to follow the warnings and instructions may result in electric shock, fire and/or serious injury.

### SAVE ALL WARNINGS AND INSTRUCTIONS FOR FUTURE REFERENCE

The term "power tool" in the warnings refers to your mains-operated (corded) power tool or battery-operated (cordless) power tool.

#### Work area safety

**Keep work area clean and well lit.** Cluttered or dark areas invite accidents.

**Do not operate power tools in explosive atmospheres, such as in the presence of flammable liquids, gases or dust.** Power tools create sparks which may ignite the dust or fumes.

**Keep children and bystanders away while operating a power tool.** Distractions can cause you to lose control.

#### Electrical safety

**Power tool plugs must match the outlet. Never modify the plug in any way. Do not use any adapter plugs with earthed (grounded) power tools.** Unmodified plugs and matching outlets will reduce risk of electric shock.

**Avoid body contact with earthed or grounded surfaces such as pipes, radiators, ranges and refrigerators.** There is an increased risk of electric shock if your body is earthed or grounded.

**Do not expose power tools to rain or wet conditions.** Water entering a power tool will increase the risk of electric shock.

**Do not abuse the cord. Never use the cord for carrying, pulling or unplugging the power tool. Keep cord away from heat, oil, sharp edges or moving parts.** Damaged or entangled cords increase the risk of electric shock.

**When operating a power tool outdoors, use an extension cord suitable for outdoor use.** Use of a cord suitable for outdoor use reduces the risk of electric shock.

**If operating a power tool in a damp location is unavoidable, use a Ground Fault Circuit Interrupter (GFCI) protected supply.** Use of an GFCI reduces the risk of electric shock.

#### Personal safety

**Stay alert, watch what you are doing and use common sense when operating a power tool. Do not use a power tool while you are tired or under the influence of drugs, alcohol or medication.** A moment of inattention while operating power tools may result in serious personal injury.

**Use personal protective equipment. Always wear eye protection.** Protective equipment such as dust mask, non-skid safety shoes, hard hat, or hearing protection used for appropriate conditions will reduce personal injuries.

**Prevent unintentional starting. Ensure the switch is in the off-position before connecting to power source and / or battery pack, picking up or carrying the tool.** Carrying power tools with your finger on the switch or energizing power tools that have the switch on invites accidents.

**Remove any adjusting key or wrench before turning the power tool on.** A wrench or a key left attached to a rotating part of the power tool may result in personal injury.

**Do not overreach. Keep proper footing and balance at all times.** This enables better control of the power tool in unexpected situations.

**Dress properly. Do not wear loose clothing or jewelry. Keep your hair, clothing and gloves away from moving parts.** Loose clothes, jewelry or long hair can be caught in moving parts.

**If devices are provided for the connection of dust extraction and collection facilities, ensure these are connected and properly used.** Use of dust collection can reduce dust-related hazards.

### **Power tool use and care**

**Do not force the power tool. Use the correct power tool for your application.** The correct power tool will do the job better and safer at the rate for which it was designed.

**Do not use the power tool if the switch does not turn it on and off.** Any power tool that cannot be controlled with the switch is dangerous and must be repaired.

**Disconnect the plug from the power source and/or the battery pack from the power tool before making any adjustments, changing accessories, or storing power tools.** Such preventive safety measures reduce the risk of starting the power tool accidentally.

**Store idle power tools out of the reach of children and do not allow persons unfamiliar with the power tool or these**

**instructions to operate the power tool.** Power tools are dangerous in the hands of untrained users.

**Maintain power tools. Check for misalignment or binding of moving parts, breakage of parts and any other condition that may affect the power tool's operation. If damaged, have the power tool repaired before use.** Many accidents are caused by poorly maintained power tools.

**Keep cutting tools sharp and clean.** Properly maintained cutting tools with sharp cutting edges are less likely to bind and are easier to control.

**Use the power tool, accessories and tool bits etc. in accordance with these instructions, taking into account the working conditions and the work to be performed.** Use of the power tool for operations different from those intended could result in a hazardous situation.

### **Battery tool use and care**

**Recharge only with the charger specified by the manufacturer.** A charger that is suitable for one type of battery pack may create a risk of fire when used with another battery pack.

**Use power tools only with specifically designated battery packs.** Use of any other battery packs may create a risk of injury and fire.

**When battery pack is not in use, keep it away from other metal objects, like paper clips, coins, keys, nails, screws, or other small metal objects that can make a connection from one terminal to another.** Shorting the battery terminals together may cause burns or a fire.

**Under abusive conditions, liquid may be ejected from the battery, avoid contact. If contact accidentally occurs, flush with water. If liquid contacts eyes, additionally seek medical help.** Liquid ejected from the battery may cause irritation or burns.

### **Service**

**Have your power tool serviced by a qualified repair person using only identical replacement parts.** This will ensure that the safety of the power tool is maintained.

## Safety Rules for Cordless Hammer Drills

**Wear ear protectors when impact drilling.** Exposure to noise can cause hearing loss.

**Use auxiliary handle(s), if supplied with the tool.** Loss of control can cause personal injury.

**Hold power tool by insulated gripping surfaces, when performing an operation where the cutting accessory may contact hidden wiring.** Cutting accessory contacting a "live" wire may make exposed metal parts of the power tool "live" and could give the operator an electric shock.

**Use clamps or another practical way to secure and support the workpiece to a stable platform.** Holding the work by hand or against your body leaves it unstable and may lead to loss of control.

**Do not drill, fasten or break into existing walls or other blind areas where electrical wiring may exist.** If this situation is unavoidable, disconnect all fuses or circuit breakers feeding this worksite.

**Always wear safety goggles or eye protection when using this tool. Use a dust mask or respirator for applications which generate dust.**

**Use thick cushioned gloves and limit the exposure time by taking frequent rest periods.** Vibration caused by hammer-drill action may be harmful to your hands and arms.

**Secure the material being drilled. Never hold it in your hand or across legs.** Unstable support can cause the drill bit to bind causing loss of control and injury.

**Disconnect battery pack from tool before making any assembly, adjustments or changing accessories.** Such preventive

safety measures reduce the risk of starting the tool accidentally.

**Position yourself to avoid being caught between the tool or side handle and walls or posts.** Should the bit become bound or jammed in the work, the reaction torque of the tool could crush your hand or leg.

**If the bit becomes bound in the workpiece, release the trigger immediately, reverse the direction of rotation and slowly squeeze the trigger to back out the bit.** Be ready for a strong reaction torque. The drill body will tend to twist in the opposite direction as the drill bit is rotating.

**Do not grasp the tool or place your hands too close to the spinning chuck or drill bit.** Your hand may be lacerated.

**When installing a drill bit, insert the shank of the bit well within the jaws of the chuck.** If the bit is not inserted deep enough, the grip of the jaws over the bit is reduced and the loss of control is increased.

**Do not use dull or damaged bits and accessories.** Dull or damaged bits have a greater tendency to bind in the workpiece.

**When removing the bit from the tool avoid contact with skin and use proper protective gloves when grasping the bit or accessory.** Accessories may be hot after prolonged use.

**Check to see that keys and adjusting wrenches are removed from the drill before switching the tool "ON".** Keys or wrenches can fly away at high velocity striking you or a bystander.

**Do not run the tool while carrying it at your side.** A spinning drill bit could become entangled with clothing and injury may result.

## Additional Safety Warnings

GFCI and personal protection devices like electrician's rubber gloves and footwear will further enhance your personal safety.

**Do not use AC only rated tools with a DC power supply.** While the tool may appear to work, the electrical components of the AC rated tool are likely to fail and create a hazard to the operator.

**Keep handles dry, clean and free from oil and grease.** Slippery hands cannot safely control the power tool.

**Develop a periodic maintenance schedule for your tool. When cleaning a tool be careful not to disassemble any portion of the tool since internal wires may be misplaced or pinched or safety guard return springs may be improperly mounted.** Certain cleaning agents such as gasoline, carbon tetrachloride, ammonia, etc. may damage plastic parts.

**Ensure the switch is in the off position before inserting battery pack.** Inserting the battery pack into power tools that have the switch on invites accidents.








**⚠ WARNING** Some dust created by power sanding, sawing, grinding, drilling, and other construction activities contains chemicals known to cause cancer, birth defects or other reproductive harm. Some examples of these chemicals are:

- Lead from lead-based paints,
- Crystalline silica from bricks and cement and other masonry products, and
- Arsenic and chromium from chemically-treated lumber.

Your risk from these exposures varies, depending on how often you do this type of work. To reduce your exposure to these chemicals: work in a well ventilated area, and work with approved safety equipment, such as those dust masks that are specially designed to filter out microscopic particles.

## Symbols

**IMPORTANT:** Some of the following symbols may be used on your tool. Please study them and learn their meaning. Proper interpretation of these symbols will allow you to operate the tool better and safer.

Symbol	Designation / Explanation
V	Volts (voltage)
A	Amperes (current)
Hz	Hertz (frequency, cycles per second)
W	Watt (power)
kg	Kilograms (weight)
min	Minutes (time)
s	Seconds (time)
∅	Diameter (size of drill bits, grinding wheels, etc.)
$n_0$	No load speed (rotational speed at no load)
n	Rated speed (maximum attainable speed)
.../min	Revolutions or reciprocation per minute (revolutions, strokes, surface speed, orbits etc. per minute)
0	Off position (zero speed, zero torque...)
1, 2, 3, ... I, II, III,	Selector settings (speed, torque or position settings. Higher number means greater speed)
	Infinitely variable selector with off (speed is increasing from 0 setting)
	Arrow (action in the direction of arrow)
	Alternating current (type or a characteristic of current)
	Direct current (type or a characteristic of current)
	Alternating or direct current (type or a characteristic of current)
	Class II construction (designates double insulated construction tools)
	Earthing terminal (grounding terminal)

## Symbols (continued)

**IMPORTANT:** Some of the following symbols may be used on your tool. Please study them and learn their meaning. Proper interpretation of these symbols will allow you to operate the tool better and safer.

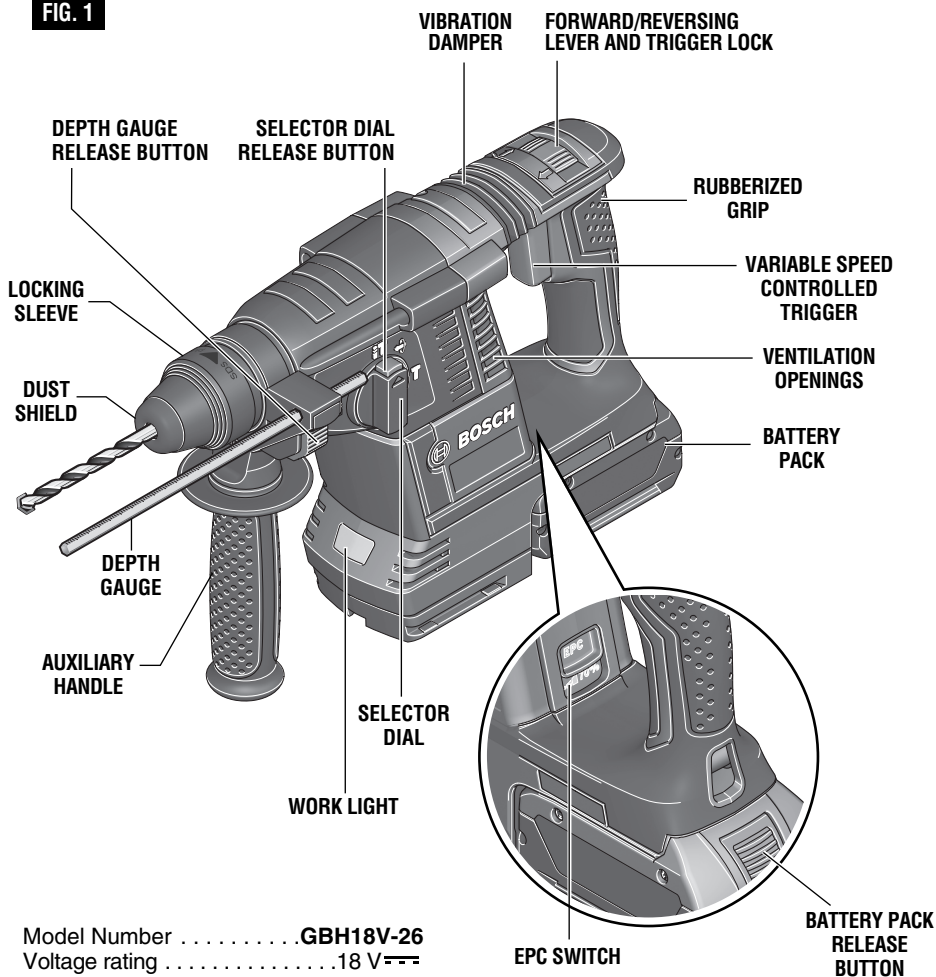
Symbol	Designation / Explanation
	Designates Li-ion battery recycling program
	Designates Ni-Cad battery recycling program
	Alerts user to read manual
	Alerts user to wear eye protection
	This symbol designates that this tool is listed by Underwriters Laboratories.
	This symbol designates that this component is recognized by Underwriters Laboratories.
	This symbol designates that this tool is listed by Underwriters Laboratories, to United States and Canadian Standards.
	This symbol designates that this tool is listed by the Canadian Standards Association.
	This symbol designates that this tool is listed by the Canadian Standards Association, to United States and Canadian Standards.
	This symbol designates that this tool is listed by the Intertek Testing Services, to United States and Canadian Standards.
	This symbol designates that this tool complies to NOM Mexican Standards.

## Functional Description and Specifications

**WARNING** Disconnect battery pack from tool or place the switch in the locked or off position before making any assembly, adjustments or changing accessories. Such preventive safety measures reduce the risk of starting the tool accidentally.

### Cordless Hammer Drill

**FIG. 1**



Model Number . . . . . **GBH18V-26**  
 Voltage rating . . . . . 18 V  $\equiv$   
 Shank style . . . . . SDS-plus®

#### Maximum Drilling Diameter in:

Concrete . . . . . 1-1/32" (26mm)  
 Steel . . . . . 1/2" (13mm)  
 Wood . . . . . 1-3/16" (30mm)

#### Battery Packs/Chargers

Please refer to the Charger Manual included with your tool.

**NOTE:** For tool specifications refer to the nameplate on your tool.



## Assembly

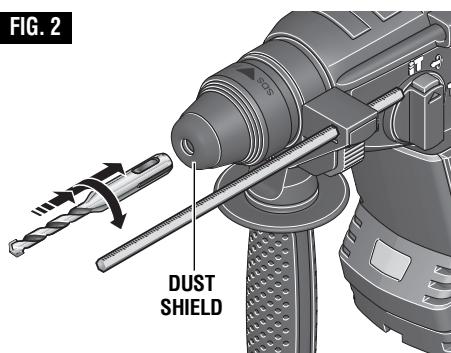
**⚠ WARNING** Disconnect battery pack from tool or place the switch in the locked or off position before making any assembly, adjustments or changing accessories. Such preventive safety measures reduce the risk of starting the tool accidentally.

### INSTALLING SDS-plus® ACCESSORIES

Clean the insert shank end of the accessory to remove any debris, then lightly grease with a light oil or lubricant.

Insert accessory into the chuck through the dust shield, while twisting and pushing inward until it locks automatically into place. Pull outward on the accessory to be certain it is locked into the chuck (Fig. 2).

**FIG. 2**



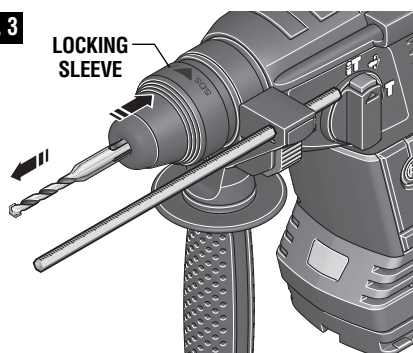
**NOTE:** The high efficiency available from the rotary hammers can only be obtained if sharp and undamaged accessories are used. The "cost" to maintain sharp and undamaged accessories is more than offset by the "time saved" in operating the tool with sharp accessories.

### REMOVING SDS-plus® ACCESSORIES

**⚠ WARNING** Accessories may be hot after use. Avoid contact with skin and use proper protective gloves or cloth to remove.

To remove an accessory, pull locking sleeve backward and pull bit forward. All accessories should be wiped clean after removing (Fig. 3).

**FIG. 3**



**⚠ WARNING** Disconnect battery pack from tool or place the switch in the locked or off position before making any assembly, adjustments or changing accessories. Such preventive safety measures reduce the risk of starting the tool accidentally.

### INSTALLING & REMOVING 3-JAW CHUCK (Not included, available as accessory)

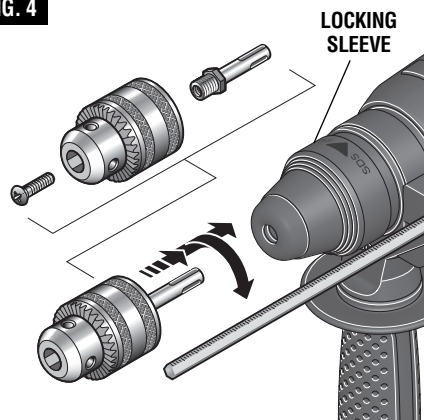
The 3 Jaw Chuck with SDS Shank can convert your tool for use with straight shank bits.

Clean the insert shank end of the accessory to remove any debris, then lightly grease with a light oil or lubricant

Insert accessory into the chuck through the dust shield, while twisting and pushing inward until it locks automatically into place. Pull outward on the accessory to be certain it is locked into the chuck (Fig. 4).

To remove the chuck, pull the locking sleeve backward (towards the rear of tool), while pulling the chuck forward.

**FIG. 4**



## INSTALLING & REMOVING ACCESSORIES

### 3-JAW CHUCK

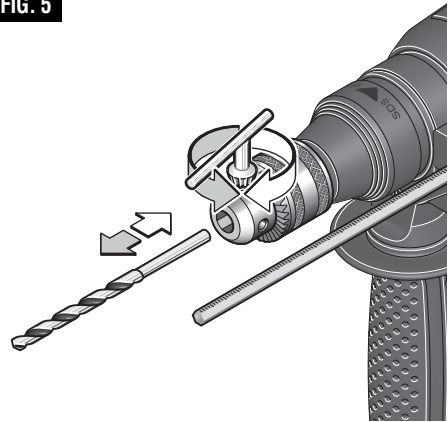
For small bits, open jaws enough to insert the bit up to the flutes. For large bits, insert the bit as far as it will go. Center the bit as you close the jaws by hand. This positions the bit properly, giving maximum contact between the chuck jaws and the bit shank (Fig. 5).

To tighten chuck, insert key into each of the three key holes in succession and tighten clockwise firmly.

The chuck can be released by using one hole only.

**Note:** The 3-Jaw Chuck is for use only in "Drill only" mode. The 3-Jaw Chuck is not for use when drilling with hammering action.

**FIG. 5**



### AUXILIARY HANDLE

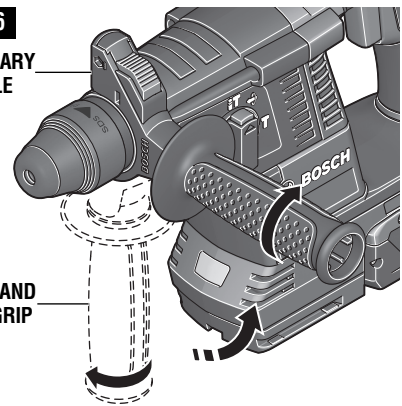
The tool must be supported with the auxiliary handle, which can be swiveled 360°.

To reposition and/or swivel the handle, loosen the hand grip, move the handle to the desired position along the barrel and securely retighten the hand grip (Fig. 6).

**FIG. 6**

AUXILIARY HANDLE

HAND GRIP



### DEPTH GAUGE

Your drilling depth can be pre-set and/or repeated by using the depth gauge.

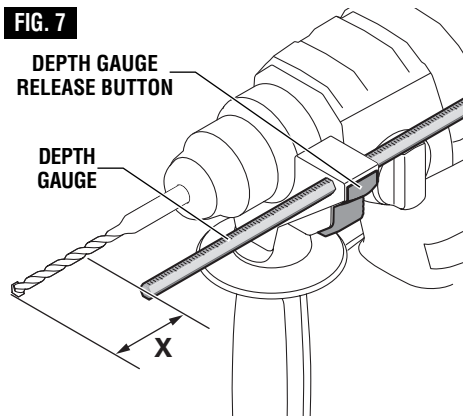
Setting depth: After the auxiliary handle is installed, make sure the accessory has been fully inserted into the tool holder before setting the depth gauge (Fig. 7).

To adjust depth, push the depth gauge release button, slide the depth gauge to desired depth and release pressure on button to lock the depth gauge in place.

**FIG. 7**

DEPTH GAUGE  
RELEASE BUTTON

DEPTH  
GAUGE



## Operating Instructions

### VARIABLE SPEED CONTROLLED TRIGGER SWITCH

Your tool is equipped with a variable speed trigger switch. The tool can be turned "ON" or "OFF" by squeezing or releasing the trigger. The speed can be adjusted from the minimum to maximum nameplate RPM by the pressure you apply to the trigger. Apply more pressure to increase the speed and release pressure to decrease speed (Fig. 1).

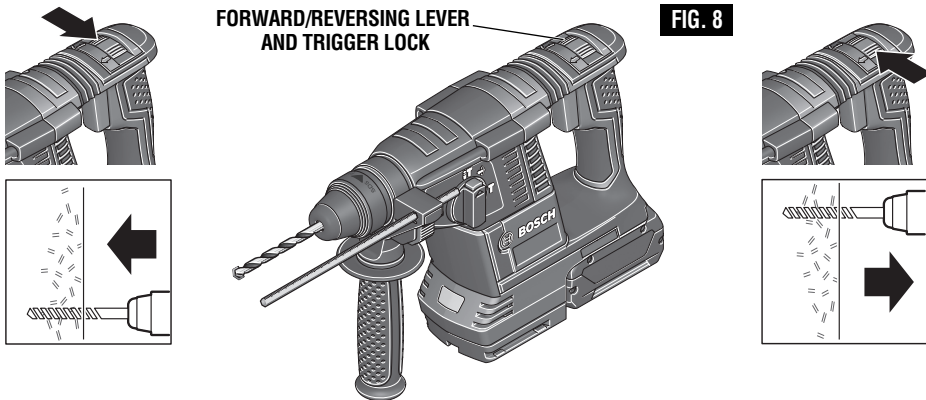
**⚠ WARNING** To reduce the risk of injury immediately discontinue use of the tool if the variable speed control ceases to function. Subsequent loss of on/off control of the trigger switch is likely.

### FORWARD/REVERSING LEVER & TRIGGER LOCK

Your tool is equipped with a forward/reversing lever and trigger lock located above the trigger (Fig. 8). This lever was designed for changing rotation of the chuck, and for locking the trigger in an "OFF" position to help prevent accidental starts and accidental battery discharge.

For forward rotation, (with chuck pointed away from you) move the lever to the far left. For reverse rotation move the lever to the far right. To activate trigger lock move lever to the center off position.

**⚠ CAUTION** Do not change direction of rotation until the tool comes to a complete stop. Shifting during rotation of the chuck can cause damage to the tool.



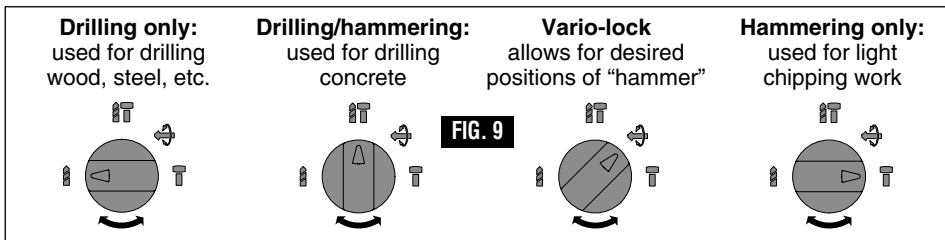
### MODE SELECTOR DIAL

The mode selector dial allows the tool to be set for various applications as listed in the following chart, (Fig. 9).

**⚠ CAUTION** Do not operate the selection dial until the

tool comes to a complete stop. Shifting during rotation of the chuck can cause damage to the tool.

When using demolition or chipping bits such as bull points, chisels, spades, gouges, etc. the "Hammer Only" mode must be selected.



### “VARIO-LOCK”

The Vario-Lock position is intended for use with chipping bits such as bull points, spades, gouges, etc. Choose a position which is best suited for your operation.

Turn the mode selector dial, to the “vario-lock” setting. Next, rotate the locking sleeve, along with the accessory, to the desired position. Then turn the mode selector dial to the “hammer only” setting and slightly turn the locking sleeve to have it automatically lock into a definite position (Fig. 10).

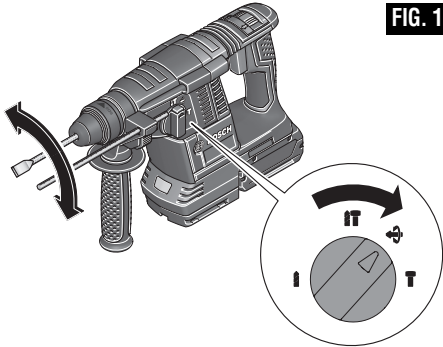


FIG. 10

### SLIP CLUTCH

The tool has an internal pre-set slip clutch. The output spindle will stop rotating if the accessory binds and overloads the tool.

### BRAKE

When the trigger is released it activates the electrical brake to stop the chuck quickly. This is especially useful in the repetitive driving and removal of screws.

### Electronic Precision Control (EPC)

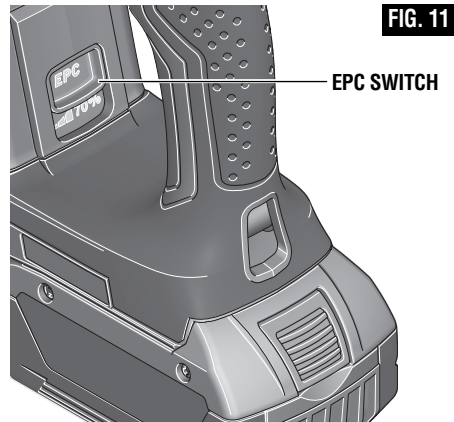
EPC assists you when working with impact in sensitive materials by ensuring slow start-up and reduced operating speed.

### INSERTING AND RELEASING BATTERY PACK

Set Forward/Reversing lever to the center (off position). Slide charged battery pack into the housing until the battery pack locks into position.

Your tool is equipped with a secondary locking latch to prevent the battery pack from completely falling out of the handle, should it become loose due to vibration.

To remove the battery pack, press the battery pack release button and slide the battery pack completely out of tool housing (Fig. 12).



Slide the EPC switch to the desired position:



Position for maximum operating speed

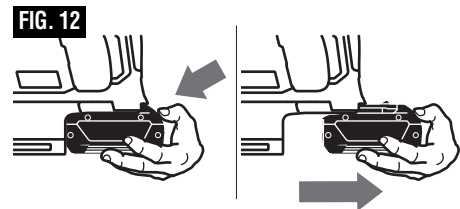


Position for slow start-up and reduced operating speed

### KICKBACK CONTROL

The rapid shut-off feature enables better control and improves user's comfort. The power tool automatically shuts off in case of sudden and unexpected rotation of the power tool around the drilling axis (for example jamming of the drill bit in reinforcing steel or wedging application tool). To restart the machine, release the On/Off switch and then actuate again.

Kickback Control can activate only when the power tool is running at maximum operating speed and can rotate freely around the drill bit axis.



### TOOL TIPS

Following a few simple tips will reduce wear on the tool and the chance of injury to the operator.

**NOTE:** The high efficiency available from the rotary hammers can only be obtained if sharp and undamaged accessories are used. The “cost” to maintain sharp and undamaged accessories is more than offset by the “time saved” in operating the tool with sharp accessories.

You will extend the life of your bits and do neater work if you always put the bit in contact with the workpiece **BEFORE** pulling the trigger. During operation, hold the drill firmly and exert moderate, steady pressure. Too much pressure at low speed will stall the hammer. Too little pressure will keep the bit from cutting and cause excess friction by sliding over the surface. This can be damaging to the drill and bit.

Shanks of all drill bits should be wiped clean prior to using and immediately after removing.

#### **Recall these instructions for safe operation:**

1. Some materials require slow drilling speeds; whereas, others require higher speed to produce the best results.
2. All work must be supported or secured before drilling and steady, even pressure applied in line with the drill bit.
3. As the drill bit cuts through the opposite side, reduce the pressure and continue running the drill as the bit is withdrawn.

Materials such as glass, porcelain, ceramics, tiles, plastics, etc., should be drilled at low speeds with specially designed drill bits and lubricants.

### DRILLING WOOD OR PLASTIC

If backing block is not used, ease up on the pressure just before the bit breaks through the wood to avoid splintering. Complete the hole from the opposite side immediately after the point breaks through. If bit binds, reverse the drilling operation to help remove the bit from the work.

### DRILLING METAL

Make a center punch in the material for easier starting. Use enough pressure to keep the bit cutting. If the bit is allowed to merely spin in the hole, it will become dull within a short time. When drilling a larger hole, it is faster and easier on your power pack to first make a smaller hole and enlarge it to the required size. Lubricate the tip of the bit occasionally with **CUTTING OIL** for easier metal drilling. If bit binds, reverse the drilling to help remove the bit from the work.

### DRILLING MASONRY

Use carbide-tipped masonry bit for cinder block, mortar, common brick, soft stone and other materials. The amount of pressure to be used is dependent upon the type of material being drilled. Soft materials require less pressure while the hard materials need more pressure to prevent the drill bit from spinning.

## Dust Extraction

### For drilling operations only:

The HDC200, HDC250 Bosch dust extraction attachments are designed to be used in drilling applications in concrete and masonry type materials.

Drilling Capacity	
HDC 200	HDC250
1/4" — 1-3/8"	2-1/4" — 5"
2-5/8" maximum *	6" maximum **
* brush ring 2 must be removed for diameters larger than 1-3/8"	** brush ring 2 must be removed for diameters larger than 5"

The **HDC200** is optimized for use with drill bit diameters from 1/4" to 1-3/8". The maximum bit diameter is 2-5/8". When using with brush ring 2 maximum bit diameter is no larger than 1-3/8".

The **HDC250** is designed for use with large diameter bits including diamond and carbide tipped core bits. It is optimized for bit diameters from 2-1/4" to 5". The maximum bit diameter is 6". When using with brush ring 2 maximum bit diameter is no larger than 5".

Insert the vacuum hose 6 from the dust extractor into the dust port 3 of the dust extraction unit (Fig. A).

The Bosch dust extractor provides two methods for connecting the hose to the dust extraction attachment: sleeve nozzle 5 and snap-in connector 4. To use the sleeve

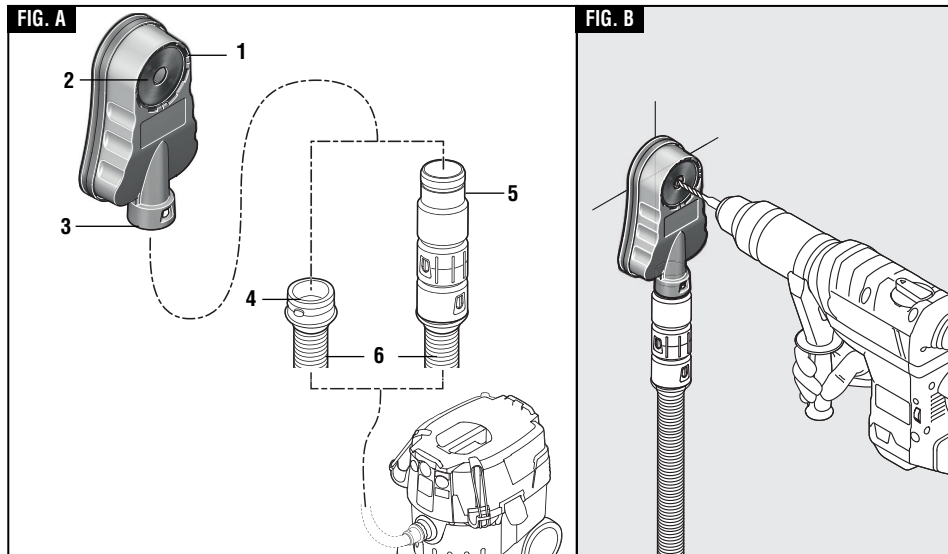
nozzle slide the nozzle into the dust port of the attachment. To use the snap-in connector for more secure connection, remove the rubber nozzle 5 from the vacuum hose 6. Press the snap-in connector into the dust port 3 until you hear the click (Fig. A).

Dust port adaptors are also available to connect the Bosch dust extraction attachment to any common size vacuum hose. See [Boschtools.com](http://Boschtools.com) for details.

Turn the dust extractor on and place the attachment 1 on the wall (or the floor), over the desired drilling location so that the center of the hole lines up with the center of the opening of the brush ring 2. Note: the suction from the dust extractor will hold the attachment in place on the work surface. Place the drill bit through the opening in the brush ring in the desired drilling location and drill the desired hole (Fig. B). In certain situations, where precise hold drilling is required, first place the drill bit through the opening in the brush ring 2, in the attachment 1, and position the tip of the drill bit in the desired drilling location. Follow all tool safety and operating instructions.

Note: for best results, continue running the tool even when removing the bit from the hole. The combination of the vacuum with the spinning motion of the bit helps remove a majority of the dust from the hole.

See Bosch HDC200, HDC250 instruction manual for more details.



## Maintenance

### Service

**⚠ WARNING** NO USER SERVICE-ABLE PARTS INSIDE.

Preventive maintenance performed by unauthorized personnel may result in misplacing of internal wires and components which could cause serious hazard. We recommend that all tool service be performed by a Bosch Factory Service Center or Authorized Bosch Service Station. **SERVICEMEN:** Disconnect tool and/or charger from power source before servicing.

### BATTERIES

**Be alert for battery packs that are nearing their end of life.** If you notice decreased tool performance or significantly shorter running time between charges then it is time to replace the battery pack. Failure to do so can cause the tool to operate improperly or damage the charger.

### TOOL LUBRICATION

Your Bosch tool has been properly lubricated and is ready for use.

### D.C. MOTORS

The motor in your tool has been engineered for many hours of dependable service. To

maintain peak efficiency of the motor, we recommend it be examined every six months. Only a genuine Bosch replacement motor specially designed for your tool should be used.

### Cleaning

**⚠ WARNING** To avoid accidents, always disconnect the tool and/or charger from the power supply before cleaning. The tool may be cleaned most effectively with compressed dry air. Always wear safety goggles when cleaning tools with compressed air.

Ventilation openings and switch levers must be kept clean and free of foreign matter. Do not attempt to clean by inserting pointed objects through opening.

**⚠ CAUTION** Certain cleaning agents and solvents damage plastic parts. Some of these are: gasoline, carbon tetrachloride, chlorinated cleaning solvents, ammonia and household detergents that contain ammonia.

## Accessories

360° Auxiliary Handle\*

Depth Gauge\*

Carrying Case\*

3-Jaw Chuck\*\*

Straight Chuck SDS Adaptor\*\*

(\* = standard equipment)

(\*\* = optional accessories)

## Symboles relatifs à la sécurité

Les définitions ci-dessous décrivent le niveau de gravité pour chaque terme signalant un danger. Veuillez lire le mode d'emploi et lire la signification de ces symboles.

	<p>C'est le symbole d'alerte relatif à la sécurité. Il est utilisé pour vous avertir de l'existence possible d'un danger de lésion corporelle. Obéissez à tous les messages relatifs à la sécurité qui suivent ce symbole pour éviter tout risque de blessure ou même de mort.</p>
	<p>DANGER indique une situation dangereuse qui, si elle n'est pas évitée, causera la mort d'une personne ou une blessure grave.</p>
	<p>AVERTISSEMENT indique une situation dangereuse qui, si elle n'est pas évitée, pourrait causer la mort d'une personne ou une blessure grave.</p>
	<p>MISE EN GARDE, conjointement avec le symbole d'alerte en liaison avec la sécurité, indique une situation dangereuse qui, si elle n'est pas évitée, causera une blessure légère ou modérée.</p>

## Avertissements généraux concernant la sécurité des outils électroportatifs

**AVERTISSEMENT** Veuillez lire tous les avertissements et toutes les consignes de sécurité. Si l'on n'observe pas ces avertissements et ces consignes de sécurité, il existe un risque de choc électrique, d'incendie et/ou de blessures corporelles graves.

### CONSERVEZ TOUS LES AVERTISSEMENTS ET TOUTES LES CONSIGNES DE SÉCURITÉ POUR RÉFÉRENCE FUTURE.

Dans les avertissements, le terme « outil électroportatif » se rapporte à votre outil branché sur le secteur (avec fil) ou à votre outil alimenté par piles (sans fil).

#### Sécurité du lieu de travail

**Maintenez le lieu de travail propre et bien éclairé.** Les risques d'accident sont plus élevés quand on travaille dans un endroit encombré ou sombre.

**N'utilisez pas d'outils électroportatifs dans des atmosphères explosives, comme par exemple en présence de gaz, de poussières ou de liquides inflammables.** Les outils électroportatifs produisent des étincelles qui risquent d'enflammer les poussières ou les vapeurs.

**Éloignez les enfants et les visiteurs quand vous vous servez d'un outil électroportatif.** Vous risquez une perte de contrôle si on vous distrait.

#### Sécurité électrique

**Les fiches des outils électroportatifs doivent correspondre à la prise. Il ne faut absolument jamais modifier la fiche. N'utilisez pas d'adaptateur de prise avec des outils électroportatifs munis d'une fiche de terre.** Le risque de choc électrique est moindre si on utilise une fiche non modifiée sur une prise qui lui correspond.

**Évitez tout contact du corps avec des surfaces reliées à la terre tels que tuyaux, radiateurs, gazinières ou**

**réfrigérateurs.** Le risque de choc électrique augmente si votre corps est relié à la terre.

**N'exposez pas les outils électroportatifs à la pluie ou à l'humidité.** Si de l'eau pénètre dans un outil électroportatif, le risque de choc électrique augmente.

**Ne maltraitez pas le cordon. Ne vous en servez jamais pour transporter l'outil électroportatif, pour le tirer ou pour le débrancher. Éloignez le cordon de la chaleur, des huiles, des arêtes coupantes ou des pièces mobiles.** Les cordons abîmés ou emmêlés augmentent les risques de choc électrique.

**Si vous utilisez un outil électroportatif à l'extérieur, employez une rallonge conçue pour l'extérieur.** Ces rallonges sont faites pour l'extérieur et réduisent le risque de choc électrique.

**S'il est absolument nécessaire d'utiliser l'outil électroportatif dans un endroit humide, utilisez une alimentation protégée par un disjoncteur de fuite de terre (GFCI).** L'utilisation d'un disjoncteur GFCI réduit les risques de choc électrique.

#### Sécurité personnelle

**Restez concentré, faites attention à ce que vous faites, et servez-vous de votre bon sens lorsque vous**



**utilisez un outil électroportatif. N'employez pas d'outils électroportatifs quand vous êtes fatigué ou sous l'emprise de drogues, d'alcool ou de médicaments.** Quand on utilise des outils électroportatifs, il suffit d'un moment d'inattention pour causer des blessures corporelles graves.

**Utilisez des équipements de sécurité personnelle. Portez toujours une protection oculaire.** Le port d'équipements de sécurité tels que des masques antipoussières, des chaussures de sécurité antidérapantes, des casques de chantier et des protecteurs d'oreilles dans des conditions appropriées réduira le risque de blessure corporelle.

**Évitez les démarrages intempestifs. Assurez-vous que l'interrupteur est dans la position arrêt (Off) avant de brancher l'outil dans une prise de courant et/ou un bloc-piles, de le ramasser ou de le transporter.** Le transport d'un outil électroportatif avec le doigt sur la gâchette ou le branchement de cet outil quand l'interrupteur est en position de marche (ON) est une invite aux accidents.

**Enlevez toutes les clés de réglage avant de mettre l'outil électroportatif en marche.** Si on laisse une clé sur une pièce tournante de l'outil électroportatif, il y a risque de blessure corporelle.

**Ne vous penchez pas. Conservez toujours une bonne assise et un bon équilibre.** Ceci vous permettra de mieux maîtriser l'outil électroportatif dans des situations inattendues.

**Habilitez-vous de manière appropriée. Ne portez pas de vêtements amples ou de bijoux. Attachez les cheveux longs. N'approchez pas les cheveux, les vêtements ou les gants des pièces en mouvement.** Les vêtements amples, les bijoux ou les cheveux longs risquent d'être happés par les pièces en mouvement.

**Si l'outil est muni de dispositifs permettant le raccordement d'un système d'aspiration et de collecte des poussières, assurez-vous que ces dispositifs sont raccordés et utilisés correctement.** L'utilisation d'un dépoussiéreur peut réduire les dangers associés à l'accumulation de poussière.

### **Utilisation et entretien des outils électroportatifs**

**Ne forcez pas sur l'outil électroportatif. Utilisez l'outil électroportatif qui convient à la tâche à effectuer.** L'outil qui convient à la tâche fait un meilleur travail et est plus sûr à la vitesse pour lequel il a été conçu.

**Ne vous servez pas de l'outil électroportatif si son interrupteur ne parvient pas à le mettre en marche ou à l'arrêter.** Tout outil électroportatif qui ne peut pas être commandé par son interrupteur est dangereux et doit être réparé.

**Débranchez la fiche de la prise ou enlevez le bloc-pile de l'outil électroportatif avant tout réglage, changement d'accessoires ou avant de ranger l'outil électroportatif.** De telles mesures de sécurité

préventive réduisent le risque de démarrage intempestif de l'outil électroportatif.

**Rangez les outils électroportatifs dont vous ne vous servez pas hors de portée des enfants et ne permettez pas à des personnes qui ne connaissent pas l'outil électroportatif ou qui ignorent ces consignes de s'en servir.** Les outils électroportatifs sont dangereux dans les mains d'utilisateurs inexpérimentés.

**Entretenez les outils électroportatifs. Vérifiez que les pièces mobiles sont alignées correctement et ne coincent pas. Vérifiez qu'il n'y a pas de pièces cassées ou d'autre circonstance qui risquent d'affecter le fonctionnement de l'outil électroportatif. Si l'outil est abîmé, faites-le réparer avant de l'utiliser.** De nombreux accidents sont causés par des outils électroportatifs mal entretenus.

**Maintenez les outils coupants affûtés et propres.** Les outils coupants entretenus correctement et dotés de bords tranchants affûtés sont moins susceptibles de coincer et sont plus faciles à maîtriser.

**Utilisez l'outil électroportatif, les accessoires et les embouts d'outil, etc. conformément à ces instructions, en tenant compte des conditions de travail et des travaux à réaliser.** L'emploi d'outils électroportatifs pour des tâches différentes de celles pour lesquelles ils ont été prévus peut résulter en une situation dangereuse.

### **Utilisation et entretien des outils à piles**

**Rechargez les piles uniquement avec le chargeur spécifié par le fabricant.** Un chargeur qui convient à un type de bloc-piles peut entraîner un risque d'incendie quand il est utilisé avec un autre bloc-piles.

**Utilisez des outils électroportatifs uniquement avec les bloc-piles spécifiquement désignés pour eux.** L'utilisation de tout autre bloc-piles peut créer un risque de blessures et d'incendie.

**Lorsque le bloc-piles n'est pas utilisé, gardez-le à distances d'autres objets métalliques tels que des trombones, des pièces de monnaie, des clés, des clous, des vis ou de tout autre objet métallique pouvant faire une connexion entre une borne et une autre.** Court-circuiter les bornes des piles peut causer des brûlures ou un incendie.

**Dans des conditions abusives, du liquide peut être éjecté de la pile ; dans un tel cas, évitez tout contact avec ce liquide. Si un contact se produit accidentellement, rincez avec de l'eau. Si le liquide entre en contact avec les yeux, consultez un médecin.** Du liquide éjecté de la pile peut causer des irritations ou des brûlures.

### **Entretien**

**Faites réparer votre outil électroportatif par un agent de service qualifié n'utilisant que des pièces de rechange identiques.** Ceci assure que la sécurité de l'outil électroportatif est préservée.

## Consignes de sécurité pour les perceuses à percussion sans fil

**Portez des protecteurs d'oreilles quand vous utilisez des perceuses à percussion.** L'exposition au bruit peut causer une perte d'acuité auditive.

**Utilisez la ou les poignée(s) auxiliaire(s) si elle est/elles sont fournie(s) avec l'outil.** Une perte de contrôle pourrait causer des blessures physiques.

**Tenez l'outil électroportatif par ses surfaces de préhension isolées lorsque vous effectuez une opération à l'occasion de laquelle l'accessoire de coupe risque d'entrer en contact avec un fil caché.** Tout contact de l'accessoire de coupe avec un fil sous tension risque de mettre aussi sous tension les parties métalliques exposées de l'outil électroportatif, ce qui pourrait causer un choc électrique pour l'opérateur.

**Utilisez des brides ou d'autres moyens pratiques de brider ou de supporter la pièce sur une plate-forme stable.** Tenir la pièce à la main ou contre le corps est instable et risque de résulter en une perte de contrôle.

**Ne percez, fixez et ne rentrez pas dans des murs existants ou autres endroits aveugles pouvant abriter des fils électriques.** Si cette situation est inévitable, débranchez tous les fusibles ou les disjoncteurs alimentant ce site.

**Portez toujours des lunettes à coques latérales ou des lunettes de protection en utilisant cet outil.** Utilisez un respirateur ou un masque anti-poussières pour les applications produisant de la poussière.

**Utilisez des gants rembourrés épais et limitez le temps d'exposition en prenant des pauses fréquentes.** Les vibrations causées par l'action du marteau-perceuse peuvent être nocives pour vos mains et vos bras.

**Assujettissez l'ouvrage à percer. Ne le tenez jamais dans votre main ou par-dessus vos jambes.** Un support instable peut faire gripper le foret, provoquant ainsi une perte de contrôle et des blessures.

**Débranchez le bloc-piles de l'outil avant d'effectuer tout assemblage ou réglage, ou de changer des**

**accessoires.** Ces mesures de sécurité préventives réduisent le risque d'une mise en marche accidentelle de l'outil.

**Placez-vous de manière à éviter d'être pris entre l'outil ou la poignée latérale et les murs ou les montants.** Si le foret se coince ou grippe dans l'ouvrage, le couple de réaction de l'outil pourrait écraser votre main ou votre pied.

**Si le foret grippe dans l'ouvrage, relâchez la gâchette immédiatement, inversez le sens de rotation et appuyez lentement sur la gâchette pour faire ressortir le foret.** Soyez prêt à un fort couple de réaction. Le corps de la perceuse aura tendance à tordre en sens opposé à mesure que le foret tourne.

**Ne saisissez pas l'outil et ne placez vos mains trop près du foret ou du mandrin en rotation.** Votre main pourrait être lacérée.

**En installant un foret, insérez la tige du foret bien à l'intérieur des mâchoires du mandrin.** Si le foret n'est pas inséré assez profondément, la prise des mâchoires sur le foret est réduite et la perte de contrôle est accrue.

**N'utilisez pas de forets et d'accessoires émoussés ou endommagés.** Les forets émoussés ou endommagés ont tendance à gripper dans l'ouvrage.

**En retirant le foret de l'outil, évitez tout contact avec la peau et utilisez des gants protecteurs appropriés en saisissant le foret ou l'accessoire.** Les accessoires peuvent être chauds après une utilisation prolongée.

**Assurez-vous que les clés de serrage et de réglage sont retirées de la perceuse avant de mettre l'outil en marche.** Les clés de serrage ou de réglage peuvent être projetées à grande vitesse et frapper une personne présente ou vous-même.

**Ne faites pas fonctionner la outli en la portant à votre côté.** Un foret en rotation pourrait s'emmêler à vos vêtements, ce qui pourrait causer des blessures.

## Avertissements supplémentaires concernant la sécurité

L'emploi d'un GFCI et de dispositifs de protection personnelle tels que gants et chaussures d'électricien en caoutchouc améliorent votre sécurité personnelle.

**N'utilisez pas un outil conçu uniquement pour le C.A. sur une alimentation en C.C.** Même si l'outil semble fonctionner, les composants électriques d'un outil prévu pour le C.A. tomberont probablement en panne et risquent de créer un danger pour l'utilisateur.

**Maintenez les poignées sèches et exemptes d'huile et de graisse.** On ne peut pas maîtriser un outil électroportatif en toute sécurité quand on a les mains glissantes.

**Créez un agenda d'entretien périodique pour votre outil. Quand vous nettoyez un outil, faites attention de n'en démonter aucune pièce car il est toujours possible de mal remonter ou de pincer les fils internes ou de remonter incorrectement les ressorts de rappel des capots de protection.** Certains agents de nettoyage tels que l'essence, le tétrachlorure de carbone, l'ammoniaque, etc. risquent d'abîmer les plastiques.

**Veillez à ce que l'interrupteur soit dans la position de fermeture avant d'insérer le bloc-piles.** L'insertion d'un bloc-piles dans un outil électroportatif dont l'interrupteur est dans la position de marche est une invite aux accidents.





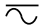


**⚠ AVERTISSEMENT** Les travaux à la machine tel que ponçage, sciage, meulage, perçage et autres travaux du bâtiment peuvent créer des poussières contenant des produits chimiques qui sont des causes reconnues de cancer, de malformation congénitale ou d'autres problèmes reproductifs. Ces produits chimiques sont, par exemple :

- Le plomb provenant des peintures à base de plomb,
- Les cristaux de silices provenant des briques et du ciment et d'autres produits de maçonnerie, et
- L'arsenic et le chrome provenant des bois traités chimiquement.

Le niveau de risque dû à cette exposition varie avec la fréquence de ces types de travaux. Pour réduire l'exposition à ces produits chimiques, il faut travailler dans un lieu bien ventilé et porter un équipement de sécurité approprié tel que certains masques à poussière conçus spécialement pour filtrer les particules microscopiques

## Symboles

**IMPORTANT** : Certains des symboles suivants peuvent être utilisés sur votre outil. Veuillez les étudier et apprendre leur signification. Une interprétation appropriée de ces symboles vous permettra d'utiliser l'outil de façon plus efficace et plus sûre.

Symbole	Désignation / Explication
V	Volts (voltage)
A	Ampères (courant)
Hz	Hertz (fréquence, cycles par seconde)
W	Watt (puissance)
kg	Kilogrammes (poids)
min	Minutes (temps)
s	Seconds (temps)
∅	Diamètre (taille des mèches de perceuse, meules, etc.)
$n_0$	Vitesse à vide (vitesse de rotation, à vide)
n	Vitesse nominale (vitesse maximum pouvant être atteinte)
.../min	Tours ou mouvement alternatif par minute (tours, coups, vitesse en surface, orbites, etc., par minute)
0	Position d'arrêt (vitesse zéro, couple zéro ...)
1, 2, 3, ... I, II, III,	Réglages du sélecteur (Réglages de vitesse, de couple ou de position. Un nombre plus élevé signifie une vitesse plus grande)
	Sélecteur variable à l'infini avec arrêt (La vitesse augmente depuis le réglage 0)
	Flèche (action dans la direction de la flèche)
	Courant alternatif (type ou caractéristique du courant)
	Courant continu (type ou caractéristique du courant)
	Courant alternatif ou continu (type ou caractéristique du courant)
	Construction classe II (désigne des outils construits avec double isolation)
	Borne de terre (borne de mise à la terre)

## Symboles (suite)

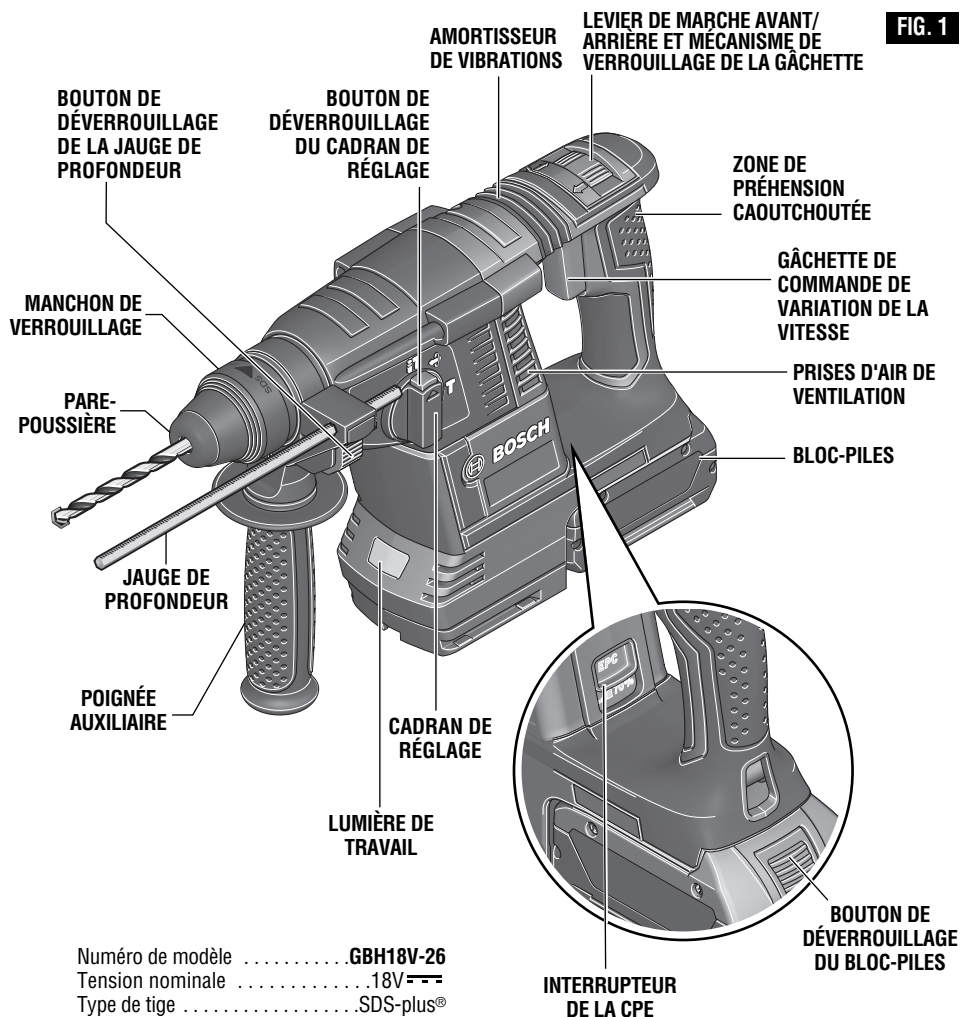
**IMPORTANT** : Certains des symboles suivants peuvent être utilisés sur votre outil. Veuillez les étudier et apprendre leur signification. Une interprétation appropriée de ces symboles vous permettra d'utiliser l'outil de façon plus efficace et plus sûre.

Symbole	Désignation / Explication
	Désigne le programme de recyclage des piles Li-ion.
	Désigne le programme de recyclage des piles Ni-Cad.
	Alerte l'utilisateur pour lire le mode d'emploi
	Alerte l'utilisateur pour porter des lunettes de sécurité
	Ce symbole signifie que cet outil est approuvé par Underwriters Laboratories.
	Ce symbole indique que ce composant est reconnu par Underwriters Laboratories.
	Ce symbole signifie que cet outil est approuvé par Underwriters Laboratories selon les normes des États-Unis et du Canada.
	Ce symbole signifie que cet outil est approuvé par l'Association canadienne de normalisation.
	Ce symbole signifie que cet outil est approuvé par l'Association canadienne de normalisation selon les normes des États-Unis et du Canada.
	Ce symbole signifie que cet outil est approuvé par Intertek Testing Services selon les normes des États-Unis et du Canada
	Ce symbole signifie que cet outil se conforme aux normes mexicaines NOM.

## Description fonctionnelle et spécifications

**AVERTISSEMENT** Déconnectez le bloc-piles de l'outil ou mettez l'interrupteur dans la position de verrouillage ou d'arrêt avant de réaliser un montage, un réglage ou un changement d'accessoires. De telles mesures de sécurité préventives réduisent le risque de démarrage accidentel de l'outil.

### Perceuse à percussion sans fil



#### Diamètre de perçage maximum en :

Béton .....	.26 mm
Acie .....	.13 mm
Bois .....	.30 mm

#### Bloc-piles/chargeurs

Veuillez vous reporter au mode d'emploi de votre pile / chargeur qui accompagne votre outil.

**REMARQUE :** Pour spécifications de l'outil, reportez-vous à la plaque signalétique de votre outil.

## Assemblage

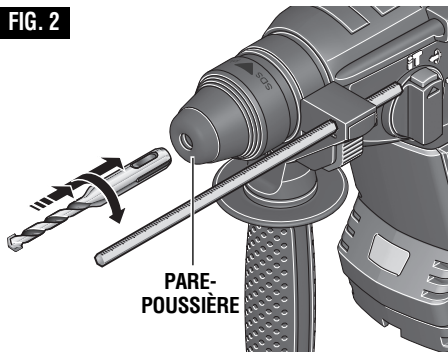
**⚠ AVERTISSEMENT** Déconnectez le bloc-piles de l'outil ou mettez l'interrupteur dans la position de verrouillage ou d'arrêt avant de réaliser un montage, un réglage ou un changement d'accessoires. De telles mesures de sécurité préventives réduisent le risque de démarrage accidentel de l'outil.

### INSTALLATION DES ACCESSOIRES SDS-PLUS®

Nettoyez l'extrémité de la tige d'insertion de l'accessoire pour retirer tous débris éventuels, puis graissez légèrement en utilisant une huile ou un lubrifiant léger.

Insérez l'accessoire dans le mandrin à travers le pare-poussière tout en le faisant tourner et en le poussant vers l'intérieur jusqu'à ce qu'il se bloque automatiquement en place. Tirez l'accessoire vers l'extérieur pour vous assurer qu'il est bien verrouillé

FIG. 2



PARE-  
POUSSIÈRE

dans le mandrin (Fig. 2).

**REMARQUE :** L'efficacité élevée des marteaux rotatifs ne peut être obtenue que si des accessoires tranchants et en bon état sont utilisés. Le "coût" de l'entretien d'accessoires tranchants en bon état est plus que compensé par le « gain de temps » résultant de l'emploi de l'outil avec des accessoires tranchants.

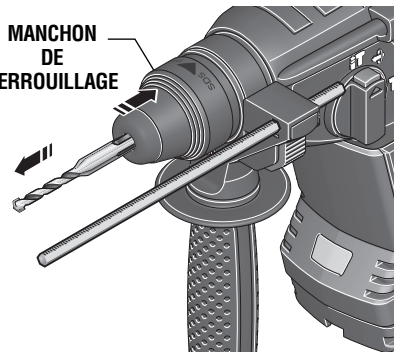
### RETRAIT DES ACCESSOIRES SDS-PLUS®

**⚠ AVERTISSEMENT** Les accessoires peuvent être très chauds après l'emploi. Évitez tout contact avec la peau et utilisez un chiffon ou des gants de protection appropriés pour les retirer.

Pour retirer un accessoire, tirez le manchon de verrouillage vers l'arrière et tirez l'embout vers l'avant. Il faut essuyer tous les accessoires pour les nettoyer après les avoir retirés (Fig. 3).

FIG. 3

MANCHON  
DE  
VERROUILLAGE



**⚠ AVERTISSEMENT** Déconnectez le bloc-piles de l'outil ou mettez l'interrupteur dans la position de verrouillage ou d'arrêt avant de réaliser un montage, un réglage ou un changement d'accessoires. De telles mesures de sécurité préventives réduisent le risque de démarrage accidentel de l'outil.

### INSTALLATION ET RETRAIT DU MANDRIN À TROIS MÂCHOIRES

(Non inclus, disponible en tant qu'accessoire)

Le mandrin à trois mâchoires avec la tige SDS peut convertir votre outil pour permettre son utilisation avec des embouts à tige droite.

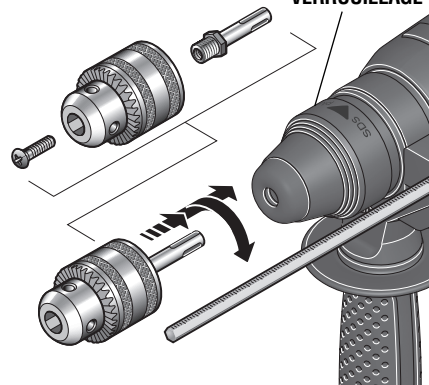
Nettoyez l'extrémité de la tige d'insertion de l'accessoire pour retirer tous débris éventuels, puis graissez légèrement en utilisant une huile ou un lubrifiant léger.

Insérez l'accessoire dans le mandrin à travers le pare-poussière tout en le faisant tourner et le poussant vers l'intérieur jusqu'à ce qu'il se bloque automatiquement en place. Tirez l'accessoire vers l'extérieur pour vous assurer qu'il est bien verrouillé dans le mandrin (Fig. 4).

Pour retirer le mandrin, tirez le manchon de verrouillage vers l'arrière (de l'outil) tout en tirant le mandrin vers l'avant.

Fig. 4

MANCHON DE  
VERROUILLAGE



### INSTALLATION ET RETRAIT DES ACCESSOIRES DU MANDRIN À TROIS MÂCHOIRES

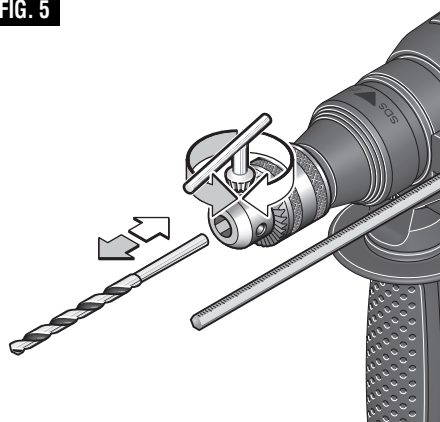
Pour les embouts de petite taille, ouvrez les mâchoires suffisamment pour insérer l'embout jusqu'aux goujures. Pour les embouts de grande taille, insérez les embouts aussi loin que possible. Centrez l'embout tout en fermant les mâchoires à la main. Ceci met l'embout dans la position appropriée, produisant le maximum de contact entre les mâchoires du mandrin et la tige de l'embout (Fig. 5).

Pour serrer le mandrin, insérez la clé dans chacun des trois trous de serrure en succession et serrez à fond dans le sens des aiguilles d'une montre.

Le mandrin peut être déverrouillé en utilisant seulement un trou.

**Remarque :** Le mandrin à trois mâchoires ne peut être utilisé que dans le mode de perçage. Le mandrin à trois mâchoires ne peut pas être utilisé pour percer avec une action de percussion.

FIG. 5

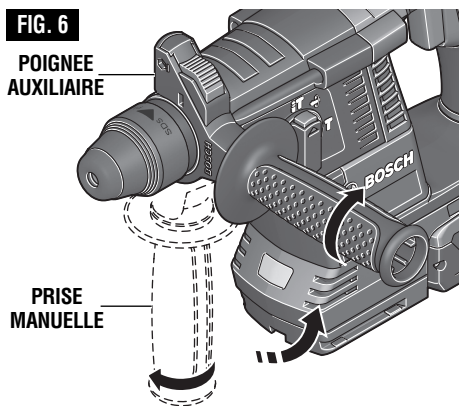


### POIGNEE AUXILIAIRE

L'outil doit être supporté avec la poignée auxiliaire, qui peut pivoter sur 360°.

Pour repositionner et/ou faire pivoter la poignée, desserrez la prise manuelle, mettez la poignée dans la position désirée le long du manche cylindrique et resserrez la prise manuelle de façon sécurisée (Fig. 6).

FIG. 6



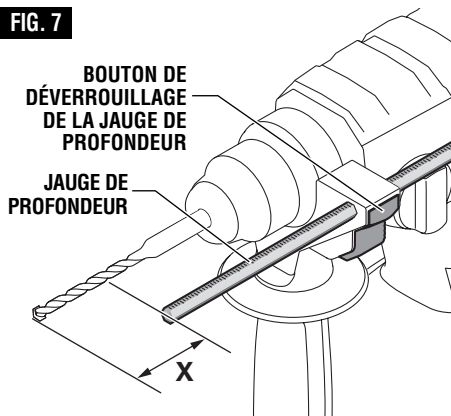
### JAUGE DE PROFONDEUR

Votre profondeur de perçage peut être fixée à l'avance et/ou répétée en utilisant la jauge de profondeur.

Réglage de la profondeur : Après l'installation de la poignée auxiliaire, vérifiez que l'accessoire a été inséré complètement dans le porte-outil avant de régler la jauge de profondeur (Fig. 7).

Pour régler la profondeur, appuyez sur le bouton de déverrouillage de la jauge de profondeur, faites glisser la jauge de profondeur à la profondeur désirée et relâchez la pression sur le bouton pour verrouiller la jauge de profondeur en place.

FIG. 7





## Consignes de fonctionnement

### COMMANDE DE VARIATION DE LA VITESSE INTERRUPTEUR A GÂCHETTE

Votre outil est muni d'un interrupteur à gâchette pour la commande de variation de la vitesse. L'outil peut être activé (ON) ou désactivé (OFF) en comprimant ou relâchant l'interrupteur à gâchette. La vitesse peut être ajustée de la valeur minimum à la valeur maximum figurant sur la plaque signalétique en fonction de la pression que vous exercez sur la gâchette. Exercez plus de pression pour accroître la vitesse ou moins de pression pour réduire la vitesse (Fig. 1).

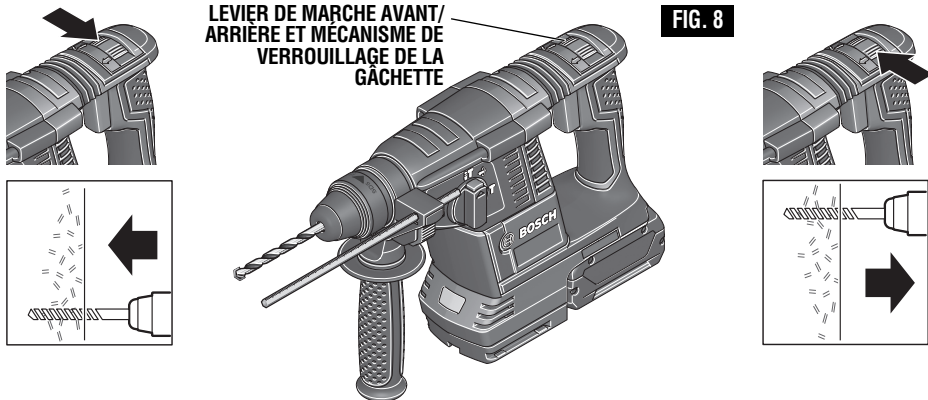
**⚠ AVERTISSEMENT** Pour réduire le risque de blessure, arrêtez immédiatement d'utiliser l'outil si la commande de variation de la vitesse cesse de fonctionner. Une perte ultérieure de contrôle sur l'activation/la désactivation de l'interrupteur à gâchette est vraisemblable.

### LEVIER DE MARCHÉ AVANT/ARRIÈRE ET VERROUILLAGE DE LA GÂCHETTE

Votre outil est muni d'un levier de marche avant/arrière et d'un mécanisme de verrouillage de la gâchette situé au-dessus de la gâchette (Fig. 8). Ce levier a été conçu pour changer le sens de rotation du mandrin et pour verrouiller la gâchette en position d'arrêt (OFF) afin de contribuer à empêcher un démarrage accidentel ainsi que la décharge accidentelle des piles.

Pour une rotation vers l'avant (avec le mandrin orienté dans le sens opposé à celui dans lequel vous trouvez), déplacez le levier le plus loin possible à gauche. Pour une rotation dans le sens inverse (arrière), déplacez le levier le plus loin possible à droite. Pour activer le mécanisme de verrouillage de la gâchette, déplacez le levier vers la position d'arrêt centrale.

**⚠ MISE EN GARDE** Ne changez pas le sens de rotation avant que l'outil ne se soit complètement arrêté. Tout déplacement pendant la rotation du mandrin risquerait d'endommager l'outil.



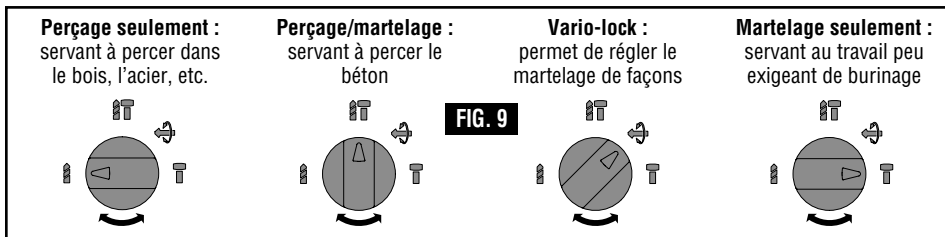
### CADRAN DE SÉLECTION DE MODE

Le cadran de sélection de mode permet de régler l'outil en fonction de diverses applications, conformément aux indications du tableau suivant (Fig. 9).

**⚠ MISE EN GARDE** Ne vous servez pas du cadran de sélection avant l'arrêt complet de l'outil. Un changement de

mode intervenant pendant que le mandrin tourne risquerait d'endommager l'outil.

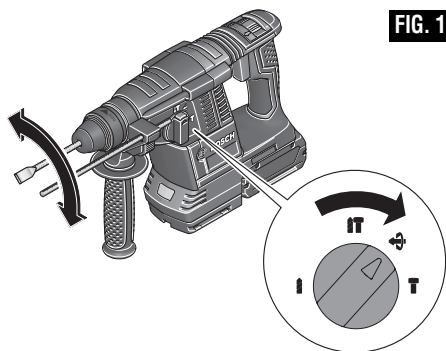
Lorsque vous utilisez des embouts de démolition ou de burinage tels que des pics, des burins, des bêches, des ciseaux, etc., le mode « Hammer Only / Marteau seulement » doit être sélectionné.



**« VARIO-LOCK »**

La position Vario-Lock est conçue pour emploi avec des embouts burineurs tels que des pointes à tête hémisphérique, des forets plats, des embouts cannelés, etc. Choisissez la position qui est la plus appropriée pour votre activité.

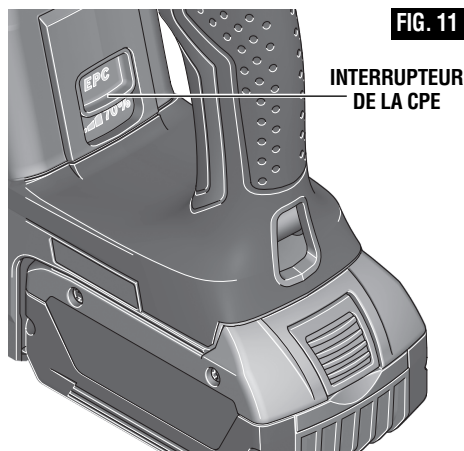
Faites tourner le cadran de réglage du mode pour le mettre dans la position « vario-lock ». Puis faites tourner le manchon de verrouillage avec l'accessoire pour le mettre dans la position désirée. Ensuite, faites tourner le cadran de réglage du mode dans la position « percussion seulement » et faites tourner légèrement le manchon de verrouillage pour qu'il se verrouille automatiquement dans une position définie (Fig. 10).

**FIG. 10****EMBRAYAGE DE SECURITE**

L'outil est muni d'un embrayage de sécurité interne réglé en usine. La broche de sortie cessera de tourner si l'accessoire se coince et cause une surcharge pour l'outil.

**FREIN**

Le desserrement de la gâchette active le frein électrique, qui arrête rapidement le mandrin. Ceci est particulièrement utile en cas d'enfoncement et d'extraction répétés de vis.

**FIG. 11****INTERRUPTEUR DE LA CPE****COMMANDE DE PRÉCISION ÉLECTRONIQUE (CPE)**

La CPE vous aide lorsque vous travaillez dans un mode de percussion dans des matériaux sensibles en assurant un démarrage lent et une vitesse de fonctionnement réduite.

Faites glisser l'interrupteur de la CPE dans la position désirée :



Position permettant la vitesse de fonctionnement maximum



Position permettant un démarrage lent et une vitesse de fonctionnement réduite

**CONTROLE DES RISQUES DE REBOND**

La fonctionnalité de fermeture rapide permet un meilleur contrôle et améliore le confort de l'utilisateur. L'outil électrique s'éteint automatiquement en cas de rotation soudaine et inattendue de l'outil autour de l'axe de perçage (par exemple, si la mèche se coince dans de l'acier renforcé ou se bloque dans un coin). Pour remettre la machine en marche, relâchez l'interrupteur de marche/arrêt, puis réactivez-le.

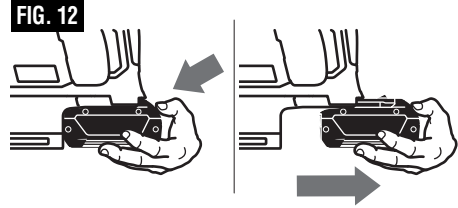
La fonction de contrôle des risques de rebond ne peut s'activer que lorsque l'outil électrique fonctionne à la vitesse maximum et quand il peut tourner librement autour de l'axe du foret de perçage.

## INSERTION ET RETRAIT DU BLOC-PILES

Régler le levier de marche avant/arrière dans la position centrale (arrêt). Faites glisser le bloc-piles dans le boîtier jusqu'à ce que le bloc-piles se bloque en place.

Votre outil est muni d'un mécanisme de verrouillage secondaire pour empêcher que le bloc-piles ne sorte complètement de la poignée au cas où il se détacherait de celle-ci en conséquence des vibrations.

Pour retirer le bloc-piles, appuyez sur le bouton de libération du bloc-piles et faites glisser le bloc-piles complètement en dehors du boîtier de l'outil (Fig. 12).



### CONSEIL RELATIFS A L'UTILISATION DE L'OUTIL

Suivez ces quelques conseils très simples pour réduire l'usure de l'outil et les risques de blessure de l'opérateur.

**REMARQUE :** L'efficacité élevée des marteaux rotatifs ne peut être obtenue que si des accessoires tranchants et en bon état sont utilisés. Le "coût" de l'entretien d'accessoires tranchants en bon état est plus que compensé par le « gain de temps » résultant de l'emploi de l'outil avec des accessoires tranchants.

Vous prolongerez la durée de vie de vos embouts et vous ferez un travail plus soigné si vous mettez toujours l'embout en contact avec l'ouvrage AVANT de tirer sur la gâchette. Pendant le fonctionnement, tenez fermement la perceuse et exercez une pression constante, mais modérée. Une pression excessive à basse vitesse fera caler le marteau. Une pression insuffisante empêchera l'embout de couper et causera des frottements excessifs en glissant sur la surface. Ceci pourrait causer des dommages à la perceuse aussi bien qu'à la mèche.

Les tiges de tous les mèches de perçage doivent être nettoyées avant leur utilisation et tout de suite après leur retrait.

#### Souvenez-vous de ces instructions pour pouvoir utiliser l'outil en toute sécurité :

1. Certains matériaux nécessitent des vitesses de perçage lentes, tandis que d'autres nécessitent des vitesses plus rapides afin de produire les meilleurs résultats possibles.
2. Tous les ouvrages doivent être supportés ou sécurisés avant de commencer le perçage et une pression constante et uniforme doit être appliquée dans le sens du mouvement de la mèche de perçage.
3. Lorsque la mèche atteint le côté opposé, réduisez la pression et continuez à laisser tourner la mèche à vide pendant son retrait.

Des matériaux tels que le verre, la porcelaine, la céramique, les carreaux, les plastiques, etc. doivent être percés à faible vitesse, avec des embouts spécialement conçus et l'application de lubrifiants appropriés.

### PERÇAGE DE BOIS OU DE PLASTIQUE

Si vous n'utilisez pas de bloc de support, relâchez la pression juste avant que la mèche ne perce le côté opposé du bois pour éviter l'éclatement du matériau à proximité du trou. Effectuez la finition du trou depuis le côté opposé immédiatement après que la mèche aura fini de percer le trou. Si la mèche se coince, inversez le sens de rotation de la mèche afin de faciliter son retrait de l'ouvrage.

### PERÇAGE DE MÉTAL

Réalisez une petite entaille dans le matériau à l'endroit désiré pour faciliter le perçage. Exercez suffisamment de pression pour permettre à la mèche de continuer à couper. Si vous laissez la mèche tourner à vide dans le trou, elle s'émoussera au bout de très peu de temps. Lorsque vous percez un trou de grand diamètre, faites un petit trou pour commencer et agrandissez-le progressivement pour atteindre la taille requise. Ceci sera plus rapide et consommera moins d'énergie. Lubrifiez occasionnellement la pointe de la mèche avec de l'HUILE DE COUPE pour pouvoir percer plus facilement le métal. Si la mèche se coince, inversez le sens de rotation de la mèche afin de faciliter son retrait de l'ouvrage.

### PERÇAGE DE MAÇONNERIE

Utilisez un embout à pointe au carbure pour maçonnerie si vous devez couper des blocs de béton ou mâchefer, du mortier, de pierre tendre et d'autres matériaux de ce genre. La pression à exercer dépend du type de matériau à percer. Les matériaux tendres nécessitent moins de pression que les matériaux durs pour éviter que la mèche de la perceuse ne tourne à vide.

## Extraction de la poussière

### Pour les applications de perçage seulement :

Les attachements d'extraction de la poussière HDC200, HDC250 Bosch sont conçus pour être utilisés dans des applications de perçage de matériaux tels que du béton et de la maçonnerie.

Capacité de perçage	
HDC 200	HDC250
6 - 35mm (¼" - 1⅜")	57 - 127mm (2¼" - 5")
66.7mm (2⅝") maximum *	152mm (6") maximum **
* La brosse circulaire <b>2</b> doit être retirée pour les diamètres de plus de 35mm (1⅜").	** La brosse circulaire <b>2</b> doit être retirée pour les diamètres de plus de 127mm (5")

**Le modèle HDC200** est optimisé en vue d'utilisation avec des mèches de diamètre compris entre 1/4 po et 1-3/8 po. Le diamètre de la mèche ne doit pas dépasser 2-5/8 po. En cas d'utilisation avec la couronne à brosse **2**, le diamètre de la mèche ne doit pas dépasser 1-3/8 po.

**Le modèle HDC250** est conçu pour être utilisé avec des mèches de grand diamètre, y compris des mèches pointes diamantées et au carbure. Il est optimisé en vue d'utilisation avec des mèches de diamètre compris entre 2-1/4 po et 5 po. Le diamètre de la mèche ne doit pas dépasser 6 po. En cas d'utilisation avec la couronne à brosse **2**, le diamètre de la mèche ne doit pas dépasser 5 po.

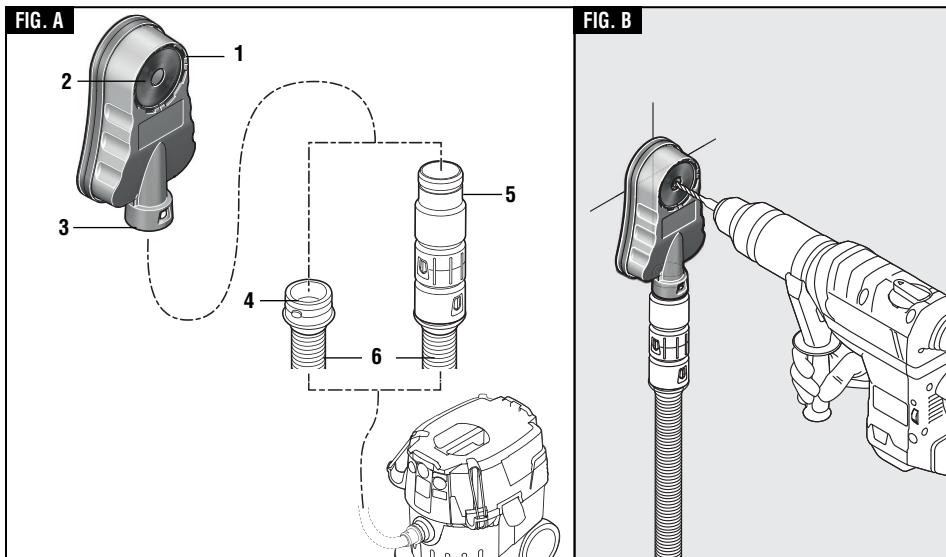
Insérez le tuyau flexible de l'aspirateur **6** provenant de

l'extracteur de poussière/de l'aspirateur dans l'orifice de dépoussiérage **3** du système d'extraction de la poussière (Fig. A).

L'extracteur de poussière/l'aspirateur Bosch comporte deux méthodes pour raccorder le tuyau flexible à l'attachement d'extraction de la poussière : le suceur à manchon **5** et le connecteur encliquetable **4**. Pour utiliser le suceur à manchon, faites glisser le suceur dans l'orifice de dépoussiérage de l'attachement. Pour utiliser le connecteur encliquetable afin de réaliser un raccordement plus sécurisé, retirez le suceur en caoutchouc **5** du tuyau flexible de l'aspirateur **6**. Enfoncez le connecteur encliquetable dans l'orifice de dépoussiérage **3** jusqu'à ce que vous entendiez un déclic (Fig. A).

Des adaptateurs d'orifices de dépoussiérage sont également disponibles pour connecter l'accessoire d'extraction de poussière Bosch à n'importe quel tuyau flexible d'aspirateur de taille standard. Voir [Boschtools.com](http://Boschtools.com) pour plus de détails.

Mettez l'extracteur de poussière/l'aspirateur en marche et placez l'attachement **1** sur le mur (ou sur le sol), au-dessus de l'emplacement de perçage désiré de façon que le centre du trou soit aligné sur le centre de l'ouverture de la couronne à brosse **2**. Remarque : la force d'aspiration provenant de l'extracteur de poussière/de l'aspirateur maintiendra l'attachement en place sur la surface de travail. Placez la mèche dans l'ouverture de la couronne à brosse à l'endroit désiré pour le perçage, et percez le trou désiré (Fig. B). Dans certaines situations, lorsqu'il est essentiel de



maintenir la mèche dans une position très précise, commencez par placer la mèche dans l'ouverture de la couronne à brosse **2** dans l'attachement **1**, puis positionnez la pointe de la mèche à l'endroit désiré pour le perçage. Suivez toutes les instructions d'utilisation de l'outil et toutes les consignes de sécurité y afférentes.

Remarque : pour obtenir les meilleurs résultats,

laissez l'outil en marche même pendant que vous retirez la mèche du trou. La combinaison de l'aspiration et du mouvement de rotation de la mèche aide à retirer la plus grande partie de la poussière du trou.

Voir le mode d'emploi Bosch HDC200, HDC250 pour plus de détails.

## Entretien

### Service

**⚠ AVERTISSEMENT** **IL N'EXISTE À L'INTÉRIEUR AUCUNE PIÈCE SUSCEPTIBLE D'ÊTRE ENTRETENUE PAR L'UTILISATEUR. L'entretien préventif exécuté par des personnes non autorisés peut entraîner un positionnement erroné des composants et des fils internes, ce qui peut présenter de graves dangers.**

Nous recommandons de confier toute intervention d'entretien sur l'outil à un centre de service-usine Bosch ou à un centre de service après-vente Bosch agréé. **TECHNICIENS :** Débranchez l'outil et/ou le chargeur de la source de courant avant d'entretenir.

### PILES

**Faire attention aux blocs-piles qui approchent la fin de leur vie.** Si vous remarquez une diminution dans les performances de votre outil ou une durée de fonctionnement réduite de manière significative entre charges, il est temps de remplacer le bloc-piles. S'il n'est pas remplacé, il se peut qu'il endommage le chargeur ou que l'outil fonctionne incorrectement.

### GRAISSAGE DE L'OUTIL

Votre outil Bosch a été graissé de manière appropriée et il est prêt à l'usage.

### MOTEURS C.C.

Le moteur de votre outil a été conçu pour de nombreuses heures d'utilisation fiable. Pour maintenir l'efficacité maximale du moteur, nous recommandons de l'examiner tous les six mois. Seul un moteur de remplacement Bosch authentique, conçu spécialement pour votre outil, doit être utilisé.

### Nettoyage

**⚠ AVERTISSEMENT** **Pour éviter les accidents, débranchez toujours l'outil et/ou le chargeur de la source de courant avant de nettoyer.** La façon la plus efficace de nettoyer l'outil est à l'aide d'air sec comprimé. **Portez toujours des lunettes de sécurité en nettoyant les outils à l'air comprimé.**

Les prises d'air et les leviers de commutation doivent être gardés propres et exempts de corps étrangers. Ne tentez pas de nettoyer en insérant des objets pointus à travers l'ouverture.

**⚠ MISE EN GARDE** **Certains agents de nettoyages et certains dissolvants abîment les pièces en plastique.** Parmi ceux-ci se trouvent: l'essence, le tétrachlorure de carbone, les dissolvants de nettoyage chlorés, l'ammoniaque ainsi que les détergents domestiques qui en contiennent.

## Accessoires

Poignée auxiliaire 360°\*

Guide de profondeur\*

Étui\*

Mandrin 3 mors\*\*





Adaptateur SDS pour mandrin standard\*\*

(\* = équipement standard)

(\*\* = accessoire en option)

## Símbolos de seguridad

Las definiciones que aparecen a continuación describen el nivel de gravedad de cada palabra de señal de seguridad. Por favor, lea el manual y preste atención a estos símbolos.

	<p>Éste es el símbolo de alerta de seguridad. Se utiliza para alertarle a usted de posibles peligros de lesiones corporales. Obedezca todos los mensajes de seguridad que sigan a este símbolo para evitar posibles lesiones o muerte.</p>
	<p>PELIGRO indica una situación peligrosa que, si no se evita, causará la muerte o lesiones graves.</p>
	<p>ADVERTENCIA indica una situación peligrosa que, si no se evita, podría causar la muerte o lesiones graves.</p>
	<p>PRECAUCIÓN, cuando se utiliza con el símbolo de alerta de seguridad, indica una situación peligrosa que, si no se evita, causará lesiones leves o moderadas.</p>

## Advertencias generales de seguridad para herramientas mecánicas

**ADVERTENCIA** Lea todas las advertencias de seguridad y todas las instrucciones. Si no se siguen las advertencias e instrucciones, el resultado podría ser sacudidas eléctricas, incendio y/o lesiones graves.

### GUARDE TODAS LAS ADVERTENCIAS E INSTRUCCIONES PARA REFERENCIA FUTURA

La expresión "herramienta mecánica" en las advertencias se refiere a su herramienta mecánica alimentada por la red eléctrica (herramienta alámbrica) o su herramienta mecánica alimentada por baterías (herramienta inalámbrica).

#### Seguridad del área de trabajo

**Mantenga el área de trabajo limpia y bien iluminada.** Las áreas desordenadas u oscuras invitan a que se produzcan accidentes.

**No utilice herramientas mecánicas en atmósferas explosivas, como por ejemplo en presencia de líquidos, gases o polvos inflamables.** Las herramientas mecánicas generan chispas que pueden incendiar el polvo o los vapores.

**Mantenga alejados a los niños y a las personas que estén presentes mientras esté utilizando una herramienta mecánica.** Las distracciones pueden hacerle perder el control de la herramienta.

#### Seguridad eléctrica

**Los enchufes de las herramientas mecánicas deben coincidir con el tomacorriente. No modifique nunca el enchufe de ningún modo. No use enchufes adaptadores con herramientas mecánicas conectadas a tierra (puestas a tierra).** Los enchufes no modificados y los tomacorrientes coincidentes reducirán el riesgo de sacudidas eléctricas.

**Evite el contacto del cuerpo con las superficies conectadas o puestas a tierra, tales como tuberías,**

**radiadores, estufas y refrigeradores.** Hay un aumento del riesgo de sacudidas eléctricas si el cuerpo del operador se conecta o pone a tierra.

**No exponga las herramientas mecánicas a la lluvia o a condiciones mojadas.** La entrada de agua en una herramienta mecánica aumentará el riesgo de que se produzcan sacudidas eléctricas.

**No maltrate el cordón de energía. No use nunca el cordón para transportar la herramienta mecánica, tirar de ella o desenchufarla. Mantenga el cordón alejado del calor, el aceite, los bordes afilados o las piezas móviles.** Los cordones dañados o enganchados aumentan el riesgo de que se produzcan sacudidas eléctricas.

**Cuando utilice una herramienta mecánica en el exterior, use un cordón de extensión adecuado para uso a la intemperie.** La utilización de un cordón adecuado para uso a la intemperie reduce el riesgo de que se produzcan sacudidas eléctricas.

**Si es inevitable utilizar una herramienta mecánica en un lugar húmedo, utilice una fuente de energía protegida por un interruptor de circuito accionado por corriente de pérdida a tierra (GFCI).** El uso de un GFCI reduce el riesgo de sacudidas eléctricas.

## Seguridad personal

**Manténgase alerta, fíjese en lo que está haciendo y use el sentido común cuando esté utilizando una herramienta mecánica. No use una herramienta mecánica cuando esté cansado o bajo la influencia de drogas, alcohol o medicamentos.** Un momento de distracción mientras esté utilizando herramientas mecánicas podría causar lesiones corporales graves.

**Use equipo de protección personal. Use siempre protección de los ojos.** El equipo de protección, como por ejemplo una máscara antipolvo, calzado de seguridad antideslizante, casco o protección de oídos, utilizado para las condiciones apropiadas, reducirá las lesiones corporales.

**Evite el arranque accidental. Asegúrese de que el interruptor esté en la posición de apagado antes de conectar la herramienta a la fuente de energía y / o al paquete de batería, levantar la herramienta o transportarla.** Transportar herramientas mecánicas con un dedo en el interruptor o encender herramientas mecánicas que tengan el interruptor en la posición de encendido invita a que se produzcan accidentes.

**Quite todas las llaves de ajuste o de tuerca antes de encender la herramienta mecánica.** Una llave de tuerca o de ajuste que se deje colocada en una pieza giratoria de la herramienta mecánica podría causar lesiones corporales.

**No intente alcanzar demasiado lejos. Mantenga un apoyo de los pies y un equilibrio apropiados en todo momento.** Esto permite controlar mejor la herramienta mecánica en situaciones inesperadas.

**Vístase adecuadamente. No use ropa holgada ni alhajas holgadas. Mantenga el pelo, la ropa y los guantes alejados de las piezas móviles.** La ropa holgada, las alhajas holgadas o el pelo largo pueden quedar atrapados en las piezas móviles.

**Si se proporcionan dispositivos para la conexión de instalaciones de extracción y recolección de polvo, asegúrese de que dichas instalaciones estén conectadas y se usen correctamente.** El uso de dispositivos de recolección de polvo puede reducir los peligros relacionados con el polvo.

### Uso y cuidado de las herramientas mecánicas

**No fuerce la herramienta mecánica. Use la herramienta mecánica correcta para la aplicación que desee realizar.** La herramienta mecánica correcta hará el trabajo mejor y con más seguridad a la capacidad nominal para la que fue diseñada.

**No use la herramienta mecánica si el interruptor no la enciende y apaga.** Toda herramienta mecánica que no se pueda controlar con el interruptor es peligrosa y debe ser reparada.

**Desconecte el enchufe de la fuente de energía y/o el paquete de batería de la herramienta mecánica antes de hacer cualquier ajuste, cambiar accesorios o almacenar herramientas mecánicas.** Dichas medidas preventivas de seguridad reducen el riesgo de arrancar

accidentalmente la herramienta mecánica.

**Guarde las herramientas que no esté usando fuera del alcance de los niños y no deje que personas que no estén familiarizadas con la herramienta mecánica o con estas instrucciones utilicen la herramienta.** Las herramientas mecánicas son peligrosas en manos de usuarios que no hayan recibido capacitación.

**Mantenga las herramientas mecánicas. Compruebe si hay piezas móviles desalineadas o que se atoran, si hay piezas rotas y si existe cualquier otra situación que podría afectar el funcionamiento de la herramienta mecánica. Si la herramienta mecánica está dañada, haga que la reparen antes de usarla.** Muchos accidentes son causados por herramientas mecánicas mantenidas deficientemente.

**Mantenga las herramientas de corte afiladas y limpias.** Es menos probable que las herramientas de corte mantenidas apropiadamente, con bordes de corte afilados, se atoren, y dichas herramientas son más fáciles de controlar.

**Utilice la herramienta mecánica, los accesorios, las brocas de la herramienta, etc., de acuerdo con estas instrucciones, teniendo en cuenta las condiciones de trabajo y el trabajo que se vaya a realizar.** El uso de la herramienta mecánica para operaciones distintas a aquéllas para las que fue diseñada podría causar una situación peligrosa.

### Uso y cuidado de las herramientas alimentadas por baterías

**Recargue las baterías solamente con el cargador especificado por el fabricante.** Un cargador que es adecuado para un tipo de paquete de batería puede crear un riesgo de incendio cuando se utiliza con otro paquete de batería.

**Utilice las herramientas mecánicas solamente con paquetes de batería designados específicamente.** El uso de cualquier otro paquete de batería puede crear un riesgo de lesiones e incendio.

**Cuando el paquete de batería no se esté usando, manténgalo alejado de otros objetos metálicos, tales como sujetapapeles, monedas, llaves, clavos, tornillos u otros objetos metálicos pequeños que pueden hacer una conexión de un terminal a otro.** Si se cortocircuitan los terminales de la batería uno con otro, se pueden causar quemaduras o un incendio.

**En condiciones abusivas, es posible que se eyecte líquido de la batería. Evite el contacto. Si se produce un contacto accidental, enjuáguese con agua. Si el líquido entra en contacto con los ojos, obtenga además ayuda médica.** El líquido que salga eyectado de la batería puede causar irritación o quemaduras.

### Servicio de ajustes y reparaciones

**Haga que su herramienta mecánica reciba servicio de un técnico de reparaciones calificado, utilizando únicamente piezas de repuesto idénticas.** Esto asegurará que se mantenga la seguridad de la herramienta mecánica.

## Normas de seguridad para taladros de percusión sin cordón

**Use protectores de oídos con los taladros de percusión.** La exposición al ruido puede causar pérdida de audición.

**Utilice el mango o mangos auxiliares si se suministran con la herramienta.** La pérdida de control puede causar lesiones corporales.

**Agarre la herramienta eléctrica por las superficies de agarre con aislamiento cuando realice una operación en la que el accesorio de corte pueda entrar en contacto con cables ocultos.** El accesorio de corte que entre en contacto con un cable que tenga corriente puede hacer que las partes metálicas de la herramienta eléctrica que estén al descubierto tengan corriente y podrían causar una descarga eléctrica al operador.

**Use abrazaderas u otro modo práctico de sujetar y soportar la pieza de trabajo en una plataforma estable.** Si se sujeta la pieza de trabajo con la mano o contra el cuerpo, se crea una situación inestable que podría causar pérdida de control.

**No taladre, rompa, ni haga trabajo de sujeción en paredes existentes ni en otras áreas ciegas donde pueda haber cables eléctricos.** Si esta situación es inevitable, desconecte todos los fusibles o cortacircuitos que alimentan este sitio de trabajo.

**Use siempre gafas de seguridad o protección de los ojos cuando utilice esta herramienta. Use una máscara antipolvo o un respirador para aplicaciones que generan polvo.**

**Use guantes con almohadillado grueso y limite el tiempo de exposición tomando frecuentes períodos de descanso.** La vibración causada por la acción de percusión y taladrado puede ser perjudicial para las manos y los brazos.

**Fije el material que se está taladrando. Nunca lo tenga en las manos ni sobre las piernas.** Un soporte inestable puede hacer que la broca taladradora se atasque, causando pérdida de control y lesiones.

**Desconecte el paquete de batería de la herramienta antes de realizar cualquier ensamblaje, ajuste o cambio de accesorios.** Dichas medidas preventivas de seguridad reducen el riesgo de arrancar la herramienta accidentalmente.

**Sitúese de modo que evite ser atrapado entre la herramienta o el mango lateral y las paredes o los postes.** Si la broca se atasca o se engancha en la pieza de trabajo, el par motor de reacción de la herramienta podría aplastarle la mano o la pierna.

**Si la broca se atasca en la pieza de trabajo, suelte el gatillo inmediatamente, invierta el sentido de giro y apriete lentamente el gatillo para sacar la broca.** Esté preparado para un fuerte par motor de reacción. El cuerpo del taladro tenderá a torcerse en sentido contrario al del giro de la broca.

**No agarre la herramienta ni ponga las manos demasiado cerca del mandril o la broca taladradora que gira.** Podría sufrir laceraciones en la mano.

**Al instalar una broca taladradora, introduzca el cuerpo de la broca bien a fondo entre las mordazas del mandril.** Si la broca no se introduce hasta una profundidad suficiente, se reduce el agarre de las mordazas sobre la broca y se aumenta la pérdida de control.

**No utilice brocas ni accesorios desafilados o dañados.** Las brocas o accesorios desafilados o dañados tienen mayor tendencia a atascarse en la pieza de trabajo.

**Al sacar la broca de la herramienta, evite el contacto con la piel y use guantes protectores adecuados al agarrar la broca o el accesorio.** Los accesorios pueden estar calientes después de un uso prolongado.

**Compruebe que las llaves de ajuste y de tuerca se hayan quitado del taladro antes de encender la herramienta.** Las llaves de ajuste o de tuerca pueden salir despedidas a gran velocidad y golpearle a usted o golpear a alguien que se esté presente.

**No tenga en marcha la herramienta mientras lo lleva a su lado.** Una broca taladradora que gira podría engancharse en la ropa y producir lesiones.



## Advertencias de seguridad adicionales

Un GFCI y los dispositivos de protección personal, como guantes de goma y calzado de goma de electricista, mejorarán más su seguridad personal.

**No use herramientas mecánicas con capacidad nominal solamente para CA con una fuente de energía de CC.** Aunque pueda parecer que la herramienta funciona correctamente, es probable que los componentes eléctricos de la herramienta con capacidad nominal para CA fallen y creen un peligro para el operador.

**Mantenga los mangos secos, limpios y libres de aceite y grasa.** Las manos resbalosas no pueden controlar de modo seguro la herramienta mecánica.

**Desarrolle un programa de mantenimiento periódico de la herramienta. Cuando limpie una herramienta, tenga cuidado de no desmontar ninguna de sus partes, ya que los cables internos podrían reubicarse incorrectamente o pellizcarse, o los resortes de retorno de los protectores de seguridad podrían montarse incorrectamente.** Ciertos agentes de limpieza, tales como gasolina, tetracloruro de carbono, amoníaco, etc., podrían dañar las piezas de plástico.

**Asegúrese de que el interruptor esté en la posición de apagado antes de introducir el paquete de batería.** Si

se introduce el paquete de batería en herramientas mecánicas que tengan el interruptor en la posición de encendido, se invita a que se produzcan accidentes.





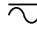


**⚠ ADVERTENCIA** Cierta polvos generados por el lijado, aserrado, amolado y taladrado mecánicos, y por otras actividades de construcción, contiene agentes químicos que se sabe que causan cáncer, defectos de nacimiento u otros daños sobre la reproducción. Algunos ejemplos de estos agentes químicos son:

- Plomo de pinturas a base de plomo,
- Sílice cristalina de ladrillos y cemento y otros productos de mampostería, y
- Arsénico y cromo de madera tratada químicamente.

Su riesgo por causa de estas exposiciones varía, dependiendo de con cuánta frecuencia realice este tipo de trabajo. Para reducir su exposición a estos agentes químicos: trabaje en un área bien ventilada y trabaje con equipo de seguridad aprobado, como por ejemplo máscaras antipolvo que estén diseñadas especialmente para impedir mediante filtración el paso de partículas microscópicas.

## Símbolos

**IMPORTANTE:** Es posible que algunos de los símbolos siguientes se usen en su herramienta. Por favor, estúdielos y aprenda su significado. La interpretación adecuada de estos símbolos le permitirá utilizar la herramienta mejor y con más seguridad.

Símbolo	Désignación / Explicación
V	Volt (tensión)
A	Ampere (corriente)
Hz	Hertz (frecuencia, ciclos por segundo)
W	Watt (potencia)
kg	Kilogramo (peso)
min	Minuto (tiempo)
s	Segundo (tiempo)
∅	Diámetro (tamaño de las brocas taladradoras, muelas, etc)
$n_0$	Velocidad sin carga (velocidad rotacional sin carga)
n	Velocidad nominal (máxima velocidad obtenible)
.../min	Revoluciones o alternación por minuto (revoluciones, golpes, velocidad de superficie, órbitas, etc., por minuto)
0	Posición "off" (velocidad cero, par motor cero...)
1, 2, 3, ... I, II, III,	Graduaciones del selector (graduaciones de velocidad, par motor o posición. Un número más alto significa mayor velocidad)
	Selector infinitamente variable con apagado (la velocidad aumenta desde la graduación de 0)
	Flecha (Acción en la dirección de la flecha)
	Corriente alterna (tipo o una característica de corriente)
	Corriente continua (tipo o una característica de corriente)
	Corriente alterna o continua (tipo o una característica de corriente)
	Construcción de clase II (designa las herramientas de construcción con aislamiento doble)
	Terminal de toma de tierra (terminal de conexión a tierra)

## Símbolos (continuación)

**IMPORTANTE:** Es posible que algunos de los símbolos siguientes se usen en su herramienta. Por favor, estúdielos y aprenda su significado. La interpretación adecuada de estos símbolos le permitirá utilizar la herramienta mejor y con más seguridad.

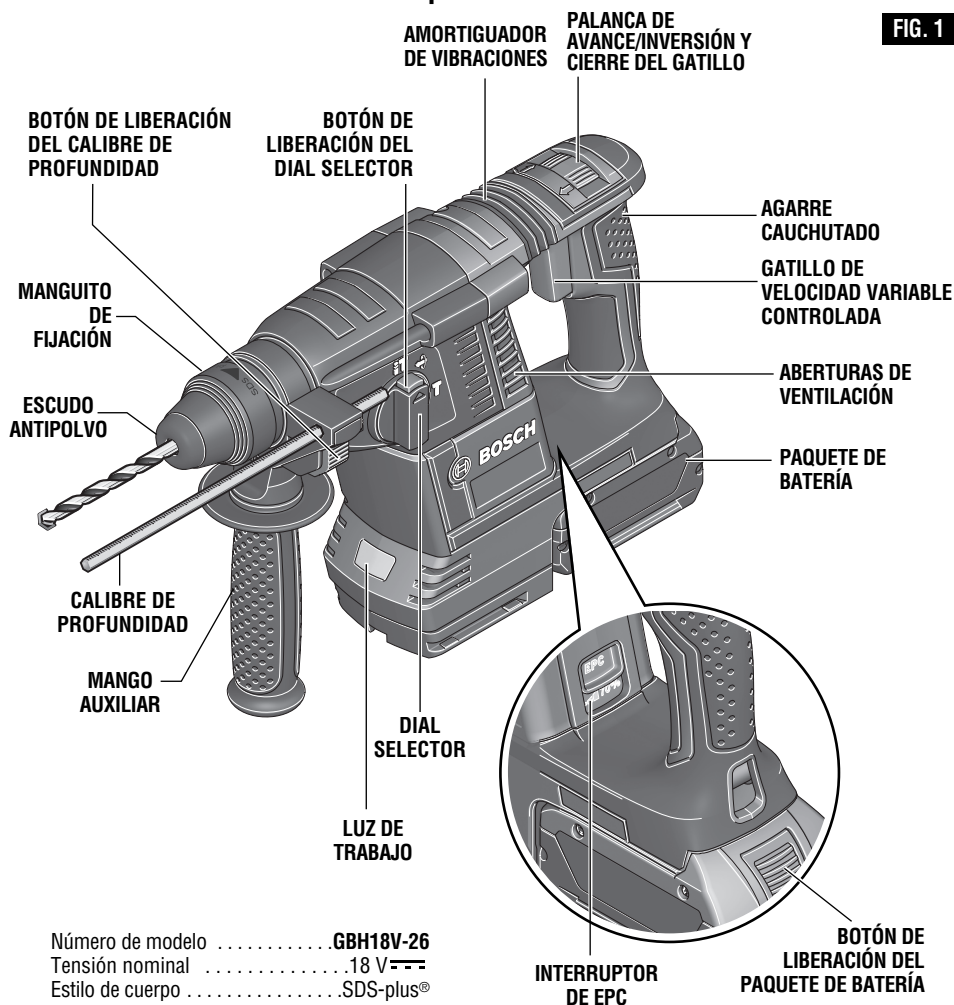
Símbolo	Désignación / Explicación
	Designa el programa de reciclaje de baterías de Li-ion.
	Designa el programa de reciclaje de baterías de Ni-Cd.
	Alerta al usuario para que lea el manual.
	Alerta al usuario para que use protección de los ojos.
	Este símbolo indica que esta herramienta está catalogada por Underwriters Laboratories.
	Este símbolo indica que este componente está reconocido por Underwriters Laboratories.
	Este símbolo indica que Underwriters Laboratories ha catalogado esta herramienta indicando que cumple con las normas estadounidenses y canadienses.
	Este símbolo indica que esta herramienta está catalogada por la Canadian Standards Association.
	Este símbolo indica que la Canadian Standards Association ha catalogado esta herramienta indicando que cumple con las normas estadounidenses y canadienses.
 Intertek	Este símbolo indica que Intertek Testing Services ha catalogado esta herramienta indicando que cumple con las normas estadounidenses y canadienses.
	Este símbolo indica que esta herramienta cumple con la norma mexicana oficial (NOM).

## Descripción funcional y especificaciones

**ADVERTENCIA** Desconecte el paquete de batería de la herramienta o ponga el interruptor en la posición bloqueada o de apagado antes de realizar cualquier ensamblaje o ajuste, o cambiar accesorios. Dichas medidas preventivas de seguridad reducen el riesgo de arrancar accidentalmente la herramienta.

### Taladros de percusión sin cordón

FIG. 1



Número de modelo ..... GBH18V-26  
 Tensión nominal ..... 18 V  $\equiv$   
 Estilo de cuerpo ..... SDS-plus®

#### Máximo diámetro de taladrado en:

Hormigón ..... 26 mm  
 Acero ..... 13 mm  
 Madera ..... 30 mm

#### Paquetes de batería/Cargadores de baterías

Sírvase consultar el Manual de la batería/cargador que se incluye con su herramienta.

**NOTA:** Para obtener las especificaciones de la herramienta, consulte la placa del fabricante colocada en la herramienta.

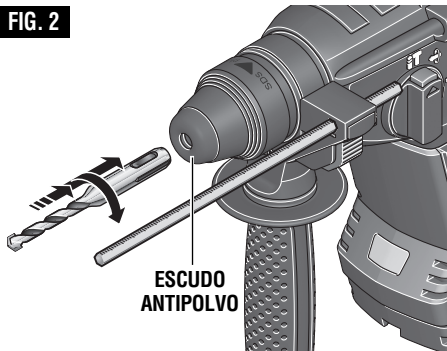
## Ensamblaje

**⚠ ADVERTENCIA** Desconecte el paquete de batería de la herramienta o ponga el interruptor en la posición bloqueada o de apagado antes de realizar cualquier ensamble o ajuste, o cambiar accesorios. Dichas medidas preventivas de seguridad reducen el riesgo de arrancar accidentalmente la herramienta.

**INSTALACION DE LOS ACCESORIOS SDS-PLUS®**  
Limpie el extremo del vástago de inserción para retirar cualquier residuo y luego engráselo ligeramente con un aceite o lubricante ligero.

Inserte el accesorio en el mandril a través del escudo antipolvo, mientras lo gira y empuja hacia dentro hasta que quede fijo automáticamente en la posición correcta. Jale el accesorio hacia fuera para asegurarse de que esté fijo en el interior del mandril (Fig. 2).

**FIG. 2**

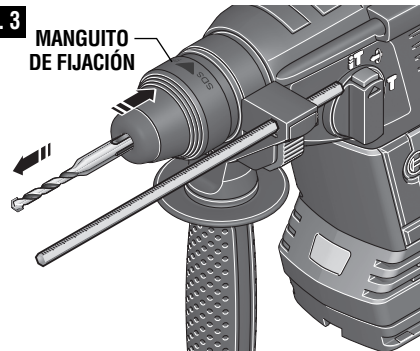


**NOTA:** La alta eficiencia ofrecida por los martillos rotativos sólo se puede obtener si se utilizan accesorios afilados y sin daños. El "costo" de mantener los accesorios afilados y sin daños es sobrecompensado ampliamente por el "tiempo ahorrado" al utilizar la herramienta con accesorios afilados.

**REMOCIÓN DE ACCESORIOS SDS-PLUS®**  
**⚠ ADVERTENCIA** Puede que los accesorios estén calientes después de usarlos. Evite el contacto con la piel y use guantes protectores adecuados o un paño para retirarlos.

Para retirar un accesorio, jale hacia atrás el manguito de fijación y jale la broca hacia delante. Todos los accesorios se deberán limpiar con un paño después de retirarlos (Fig. 3).

**FIG. 3**



**⚠ ADVERTENCIA** Desconecte el paquete de batería de la herramienta o ponga el interruptor en la posición bloqueada o de apagado antes de realizar cualquier ensamble o ajuste, o cambiar accesorios. Dichas medidas preventivas de seguridad reducen el riesgo de arrancar accidentalmente la herramienta.

### INSTALACION Y REMOCION DEL MANDRIL DE 3 MORDAZAS (no incluido, disponible como accesorio)

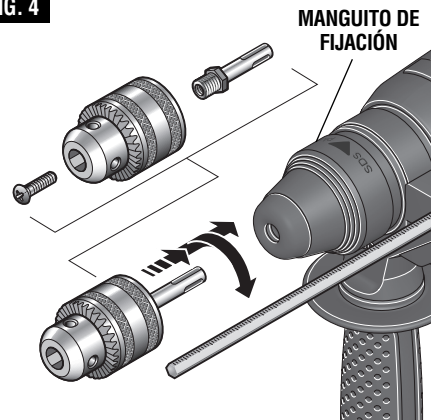
El mandril de 3 mordazas con vástago SDS puede convertir su herramienta para utilizarla con brocas de vástago recto.

Limpie el extremo del vástago de inserción del accesorio para retirar cualquier residuo y luego engráselo ligeramente con un aceite o lubricante ligero.

Inserte el accesorio en el mandril a través del escudo antipolvo, mientras gira y empuja el accesorio hacia dentro hasta que quede fijo automáticamente en la posición correcta. Jale hacia fuera el accesorio para asegurarse de que esté fijo en el interior del mandril (Fig. 4).

Para retirar el mandril, jale hacia atrás el manguito de fijación (hacia la parte trasera de la herramienta), mientras jala hacia delante el mandril.

**FIG. 4**



### INSTALACION Y REMOCION DE ACCESORIOS MANDRIL DE 3 MORDAZAS

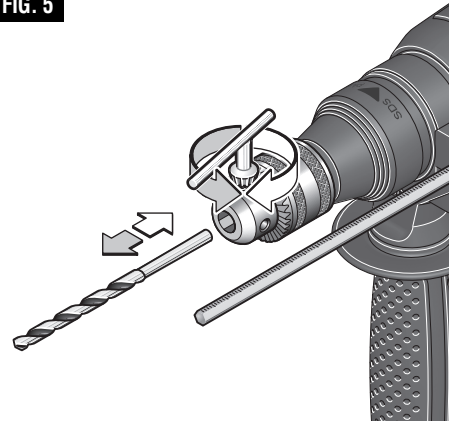
En el caso de brocas pequeñas, abra las mordazas lo suficiente como para poder insertar la broca hasta las estrías. En el caso de brocas grandes, inserte la broca tanto como se pueda. Centre la broca mientras cierra las mordazas con la mano. Esto posiciona apropiadamente la broca, brindando el máximo contacto entre las mordazas del mandril y el vástago de la broca (Fig. 5).

Para apretar el mandril, inserte la llave en cada uno de los tres agujeros para llave uno tras otro y apriételo firmemente en el sentido de las agujas del reloj.

El mandril se puede liberar usando sólo un agujero.

**Nota:** El mandril de 3 mordazas está diseñado para utilizarse sólo en el modo de "Taladro solamente". El mandril de 3 mordazas no está diseñado para utilizarse cuando se taladre con acción de percusión.

FIG. 5

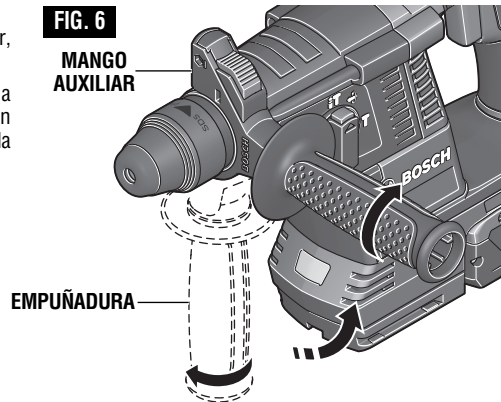


### MANGO AUXILIAR

La herramienta se debe soportar con el mango auxiliar, que se puede girar 360°.

Para reposicionar y/o girar el mango, afloje la empuñadura, mueva el mango hasta la posición deseada a lo largo del cilindro y reapriete firmemente la empuñadura (Fig. 6).

FIG. 6



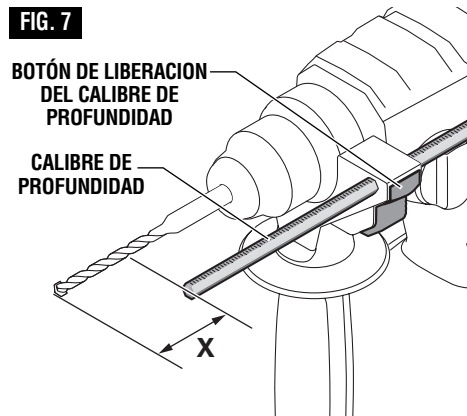
### CALIBRE DE PROFUNDIDAD

La profundidad de taladrado se puede preajustar y/o repetir utilizando el calibre de profundidad.

Ajuste de la profundidad: Después de instalar el mango auxiliar, asegúrese de que el accesorio se haya insertado completamente en el portaherramienta antes de ajustar el calibre de profundidad (Fig. 7).

Para ajustar la profundidad, presione el botón de liberación del calibre de profundidad, deslice dicho calibre hasta la profundidad deseada y reduzca la presión sobre el botón para bloquear el calibre de profundidad en la posición deseada.

FIG. 7



## Instrucciones de funcionamiento

### INTERRUPTOR GATILLO DE VELOCIDAD VARIABLE CONTROLADA

La herramienta está equipada con un interruptor gatillo de velocidad variable. La herramienta se puede "ENCENDER" o "APAGAR" apretando o soltando el gatillo. La velocidad se puede ajustar desde las RPM mínimas hasta las RPM máximas indicadas en la placa de especificaciones por medio de la presión que se ejerza sobre el gatillo. Ejerza más presión para aumentar la velocidad y disminuya la presión para reducir la velocidad (Fig. 1).

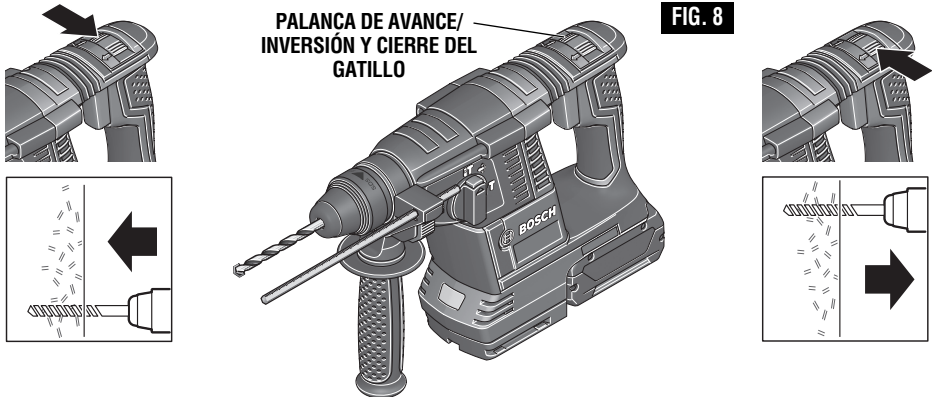
**⚠ ADVERTENCIA** Para reducir el riesgo de lesiones, suspenda inmediatamente el uso de la herramienta si el control de velocidad variable deja de funcionar. Es probable que haya una pérdida subsiguiente de control de encendido y apagado con el gatillo.

### PALANCA DE AVANCE/INVERSIÓN Y CIERRE DEL GATILLO

La herramienta está equipada con una palanca de avance/inversión y un cierre del gatillo ubicado sobre el gatillo (Fig. 8). Esta palanca se diseñó para cambiar la rotación del mandril y para bloquear el gatillo en la posición de "APAGADO" con el fin de ayudar a prevenir los arranques accidentales y la descarga accidental de la batería.

Para seleccionar la rotación de avance (con el mandril orientado de manera que se aleje de usted), mueva la palanca totalmente hacia la izquierda. Para seleccionar la rotación inversa, mueva la palanca totalmente hacia la derecha. Para activar el cierre del gatillo, mueva la palanca hasta la posición central de apagado.

**⚠ PRECAUCIÓN** No cambie el sentido de rotación hasta que la herramienta se detenga por completo. Si se cambia el sentido durante la rotación del mandril, se pueden causar daños a la herramienta.



PALANCA DE AVANCE/  
INVERSIÓN Y CIERRE DEL  
GATILLO

FIG. 8

### DIAL SELECTOR DE MODO

El dial selector de modo permite ajustar la herramienta para diversas aplicaciones, tal y como se indica en el siguiente cuadro (Fig. 9).

**⚠ PRECAUCIÓN** No utilice el dial de selección hasta que la herramienta se haya detenido por completo. La

realización de cambios durante la rotación del mandril puede causar daños a la herramienta.

Cuando utilice brocas de demolición o desbastadoras, tales como puntas de bala, cinceles, brocas planas, gubias, etc., se debe seleccionar el modo de "Martillo solamente".

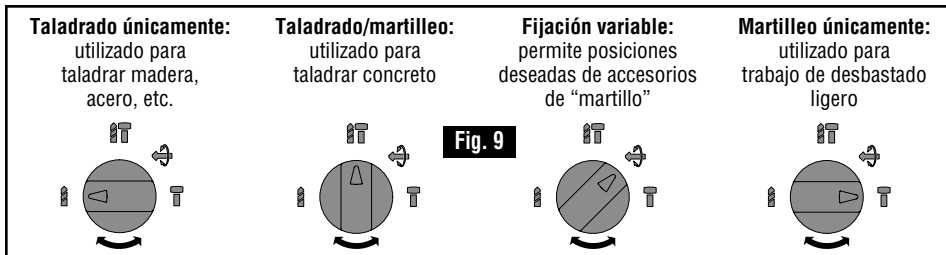
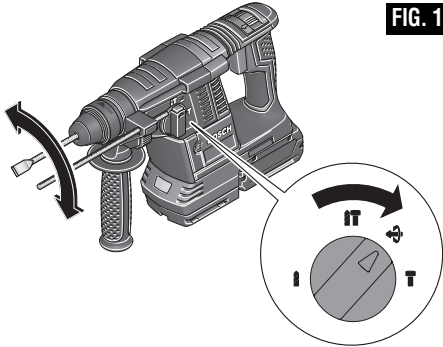


Fig. 9

**“VARIO-LOCK”**

La posición de fijación variable Vario-Lock está diseñada para utilizarse con brocas desbastadoras, tales como brocas de punta rompedora, brocas planas, gubias, etc. Escoja una posición que sea la más adecuada para la operación que vaya a realizar.

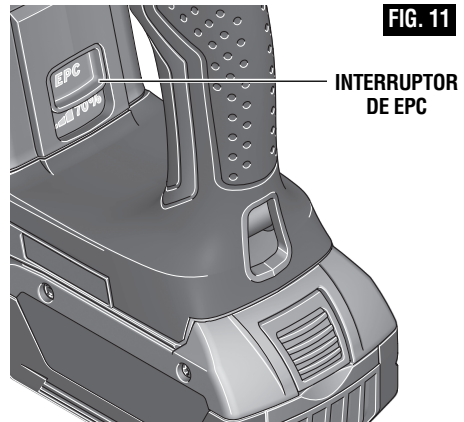
Gire el dial selector de modo hasta la posición “vario-lock”. A continuación, rote el manguito de fijación, junto con el accesorio, hasta la posición deseada. Luego, gire el dial selector de modo hasta la posición de “martillo solamente” y gire ligeramente el manguito de fijación para hacer que se bloquee automáticamente en una posición definitiva (Fig. 10).

**FIG. 10****EMBRAGUE DESLIZANTE**

La herramienta tiene un embrague deslizante preajustado interno. El husillo de salida dejará de rotar si el accesorio se atora y sobrecarga la herramienta.

**FRENO**

Al soltar el gatillo, éste activa el freno eléctrico para detener rápidamente el mandril. Esto es especialmente útil en el apriete y la remoción de tornillos de manera repetitiva.

**FIG. 11****INTERRUPTOR DE EPC****CONTROL ELECTRÓNICO DE PRECISIÓN (EPC)**

El EPC le ayuda cuando trabaja con percusión en materiales sensibles, asegurando un arranque lento y una velocidad de funcionamiento reducida.

Deslice el interruptor de EPC hasta la posición deseada:



Posición de velocidad de funcionamiento máxima



Posición de arranque lento y velocidad de funcionamiento reducida

**CONTROL ANTIRRETROCESO**

La función de apagado rápido permite un mejor control y mejora la comodidad del usuario. La herramienta eléctrica se apaga automáticamente en el caso de que rote repentina e inesperadamente alrededor del eje de taladrado (por ejemplo, atoramiento de la broca taladradora en acero de refuerzo o agarrotamiento de la herramienta de aplicación). Para rearrancar la máquina, suelte el interruptor de encendido y apagado y actívelo de nuevo.

El control antirretrocreso se puede activar solamente cuando la herramienta eléctrica está operando a la máxima velocidad de funcionamiento y puede rotar libremente alrededor del eje de la broca taladradora.

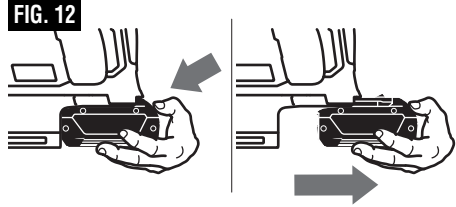


## INTRODUCCIÓN Y SUELTA DEL PAQUETE DE BATERÍAS

Ajuste la palanca de avance/inversión en la posición central (de apagado). Deslice el paquete de batería cargado al interior de la carcasa, hasta que dicho paquete quede fijo en la posición correcta.

La herramienta está equipada con un pestillo de fijación secundario para impedir que el paquete de batería se caiga por completo del mango, en el caso de que se suelte debido a las vibraciones.

Para retirar el paquete de batería, presione el botón de liberación del paquete de batería y deslice dicho paquete hasta sacarlo completamente de la carcasa de la herramienta (Fig. 12).



### CONSEJOS PARA LA HERRAMIENTA

Si se siguen unos cuantos consejos se reducirán el desgaste de la herramienta y la posibilidad de que el operador sufra lesiones.

**NOTA:** La alta eficiencia ofrecida por los martillos rotativos sólo se puede obtener si se utilizan accesorios afilados y sin daños. El “costo” de mantener los accesorios afilados y sin daños es sobrecompensado ampliamente por el “tiempo ahorrado” al utilizar la herramienta con accesorios afilados.

Usted prolongará la vida útil de las brocas y hará un trabajo más nítido si siempre pone la broca en contacto con la pieza de trabajo ANTES de apretar el gatillo. Durante la utilización, agarre firmemente el taladro y ejerza una presión moderada y firme. Demasiada presión a baja velocidad detendrá el martillo. Una presión demasiado baja impedirá que la broca corte y causará una fricción excesiva al deslizarse sobre la superficie. Esto puede ser dañino para el taladro y la broca.

Los vástagos de todas las brocas taladradoras se deberán limpiar con un paño antes de utilizar las brocas e inmediatamente después de retirarlas.

#### Recuerde estas instrucciones para usar la herramienta de manera segura:

1. Algunos materiales requieren velocidades de taladrado lentas, mientras que otros requieren una velocidad más alta para producir los mejores resultados.
2. Todas las piezas de trabajo se deben soportar o asegurar antes de taladrar, y se debe aplicar una presión firme y uniforme en línea con la broca taladradora.
3. A medida que la broca taladradora corte atravesando hasta el lado opuesto, reduzca la presión y continúe haciendo funcionar el taladro mientras retira la broca.

Los materiales como el vidrio, la porcelana, la cerámica, las baldosas, los plásticos, etc., se deberán taladrar a velocidades lentas con brocas taladradoras y lubricantes que se hayan diseñado especialmente.

### TALADRADO DE MADERA O PLÁSTICO

Si no se usa un bloque de soporte, reduzca la presión justo antes de que la broca atraviese la madera, para evitar astillarla. Complete el agujero desde el lado opuesto inmediatamente después de que la punta atraviese el material. Si la broca se atora, invierta la operación de taladrado para ayudar a sacar la broca de la pieza de trabajo.

### TALADRADO DE METAL

Haga un agujero centrador en el material con un punzón para facilitar la penetración inicial de la broca. Use suficiente presión para que la broca siga cortando. Si se permite que la broca simplemente gire dentro del agujero, se desafilará en un corto período de tiempo. Al taladrar un agujero más grande, es más rápido y más fácil para el paquete de alimentación hacer primero un agujero más pequeño y aumentarlo hasta el tamaño requerido. Lubrique la punta de la broca ocasionalmente con ACEITE DE CORTE para facilitar el taladrado de metal. Si la broca se atora, invierta el sentido de taladrado para ayudar a sacarla de la pieza de trabajo.

### TALADRADO DE MAMPOSTERÍA

Utilice una broca para mampostería con punta de carburo para ladrillo de ceniza, mortero, ladrillo común, piedra blanda y otros materiales. La cantidad de presión que se debe usar depende del tipo de material que se esté taladrando. Los materiales blandos requieren menos presión, mientras que los materiales duros necesitan más presión para evitar que la broca taladradora gire sin penetrar.

## Extracción de polvo

### Para operaciones de taladrado solamente:

Los aditamentos de extracción de polvo Bosch HDC200 y HDC250 están diseñados para utilizarse en aplicaciones de taladrado en materiales tipo concreto y mampostería.

Capacidad de taladrado	
HDC 200	HDC250
6 - 35mm (¼" - 1½")	57 - 127mm (2¼" - 5")
66.7mm (2½") máxima *	152mm (6") máxima **
* el anillo con cepillo 2 se debe retirar para diámetros mayores de 35mm (1½").	** el anillo con cepillo 2 se debe retirar para diámetros mayores de 127mm (5")

**El HDC200** está optimizado para utilizarse con diámetros de broca taladradora desde 1/4 de pulgada hasta 1-3/8 pulgadas. El diámetro de broca máximo es 2-5/8 pulgadas. Cuando se utilice con el anillo con cepillo 2, el diámetro de broca máximo no deberá ser mayor de 1-3/8 pulgadas.

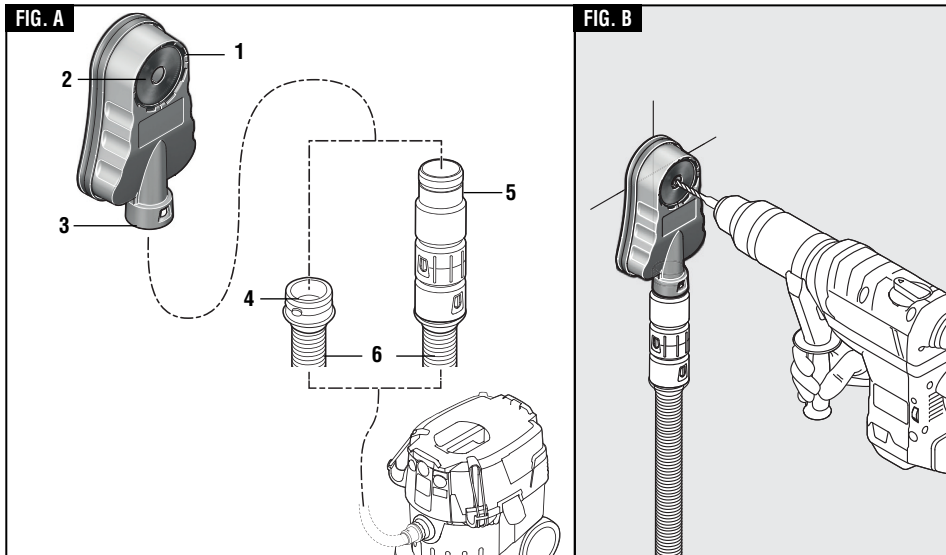
**El HDC250** está diseñado para utilizarse con brocas de diámetro grande, incluyendo brocas sacanúcleos con puntas de diamante y de carburo. Está optimizado para diámetros de broca desde 2-1/4 pulgadas hasta 5 pulgadas. El diámetro de broca máximo es 6 pulgadas. Cuando se utilice con el anillo con cepillo 2, el diámetro de broca máximo no deberá ser mayor de 5 pulgadas.

Inserte la manguera de aspiración 6 procedente del extractor de polvo/aspiradora en el orificio para polvo 3 de la unidad de extracción de polvo (Fig. A).

El extractor de polvo/aspiradora Bosch ofrece dos métodos para conectar la manguera al aditamento de extracción de polvo: boquilla de manguito 5 y conector de ajuste a presión 4. Para utilizar la boquilla de manguito, deslice la boquilla hacia el interior del orificio para polvo del aditamento. Para utilizar el conector de ajuste a presión con el fin de realizar una conexión más segura, retire la boquilla de caucho 5 de la manguera de aspiración 6. Presione el conector de ajuste a presión hacia el interior del orificio para polvo 3 hasta que oiga un clic (Fig. A).

También hay adaptadores de orificio para polvo disponibles para conectar el aditamento de extracción de polvo Bosch a cualquier manguera de aspiración de tamaño común. Visite [Boschtools.com](http://Boschtools.com) para obtener detalles.

Encienda el extractor de polvo/aspiradora y coloque el aditamento 1 en la pared (o el piso), sobre la ubicación de taladrado deseada, de manera que el centro del agujero se alinee con el centro de la abertura del anillo con cepillo 2. Nota: la succión del extractor de polvo/aspiradora sujetará el aditamento en la posición correcta sobre la superficie de trabajo. Coloque la broca taladradora a través de la abertura del anillo con cepillo en la ubicación de taladrado deseada y taladre el agujero deseado (Fig. B). En ciertas situaciones en las que se requiera un taladrado preciso del agujero, coloque primero la broca taladradora a través de la abertura del anillo con cepillo 2, en el aditamento 1, y posicione la punta de la broca taladradora en la ubicación de taladrado deseada. Siga todas las instrucciones de seguridad y utilización de la herramienta.



Nota: para obtener los mejores resultados, continúe teniendo la herramienta en funcionamiento cuando saque la broca del agujero. La combinación de la aspiración con el movimiento giratorio de la broca ayuda a sacar la mayor parte del polvo del agujero.

Consulte el manual de instrucciones Bosch HDC200 y HDC250 para obtener más detalles.

## Mantenimiento

### Servicio

**⚠ ADVERTENCIA** **NO HAY PIEZAS EN EL INTERIOR QUE PUEDAN SER AJUSTADAS O REPARADAS POR EL USUARIO. El mantenimiento preventivo realizado por personal no autorizado puede dar lugar a la colocación incorrecta de cables y componentes internos que podría constituir un peligro serio.** Recomendamos que todo el servicio de las herramientas sea realizado en un Centro de servicio de fábrica Bosch o en una Estación de servicio Bosch autorizada. **TECNICOS DE REPARACIONES:** Desconecten la herramienta y/o el cargador de la fuente de energía antes de realizar servicio de ajustes y reparaciones.

### BATERÍAS

**Esté alerta a los paquetes de baterías que estén aproximándose al final de su vida útil.** Si observa una disminución del rendimiento de la herramienta o un tiempo de funcionamiento significativamente más corto entre cargas, entonces ha llegado el momento de cambiar el paquete de baterías. Si no se hace esto, el resultado puede ser que la herramienta funcione incorrectamente o que el cargador se dañe.

### LUBRICACION DE LAS HERRAMIENTAS

Su herramienta Bosch ha sido lubricada adecuadamente y está lista para la utilización.

### MOTORES “CORRIENTE DIRECTA”

El motor de la herramienta ha sido diseñado para muchas horas de servicio fiable. Para mantener un rendimiento óptimo del motor, recomendamos que éste sea examinado cada seis meses. Sólo se debe usar un motor de repuesto Bosch genuino diseñado especialmente para la herramienta.

### Limpieza

**⚠ ADVERTENCIA** **Para evitar accidentes, desconecte siempre la herramienta y/o el cargador de la fuente de energía antes de la limpieza.** La herramienta se puede limpiar más eficazmente con aire comprimido seco. **Use gafas de seguridad siempre que limpie herramientas con aire comprimido.**

Las aberturas de ventilación y las palancas de interruptor deben mantenerse limpias y libres de materias extrañas. No intente limpiar introduciendo objetos puntiagudos a través de las aberturas.

**⚠ PRECAUCION** **Ciertos agentes de limpieza y disolventes dañan las piezas de plástico.** Algunos de estos son: gasolina, tetracloruro de carbono, disolventes de limpieza clorados, amoníaco y detergentes domésticos que contienen amoníaco.

## Accesorios

Mango auxiliar de 360°\*

Calibre de profundidad\*

Estuche de transporte\*

Mandril de 3 mordazas\*\*

Adaptador SDS de mandril recto\*\*

(\* = equipo estándar)

(\*\* = accesorios opcionales)

**LIMITED WARRANTY OF BOSCH PORTABLE AND BENCHTOP POWER TOOLS**

Robert Bosch Tool Corporation ("Seller") warrants to the original purchaser only, that all BOSCH portable and benchtop power tools will be free from defects in material or workmanship for a period of one year from date of purchase. SELLER'S SOLE OBLIGATION AND YOUR EXCLUSIVE REMEDY under this Limited Warranty and, to the extent permitted by law, any warranty or condition implied by law, shall be the repair or replacement of parts, without charge, which are defective in material or workmanship and which have not been misused, carelessly handled, or misrepaired by persons other than Seller or Authorized Service Station. To make a claim under this Limited Warranty, you must return the complete portable or benchtop power tool product, transportation prepaid, to any BOSCH Factory Service Center or Authorized Service Station. For Authorized BOSCH Power Tool Service Stations, please refer to your phone directory.

THIS LIMITED WARRANTY DOES NOT APPLY TO ACCESSORY ITEMS SUCH AS CIRCULAR SAW BLADES, DRILL BITS, ROUTER BITS, JIGSAW BLADES, SANDING BELTS, GRINDING WHEELS AND OTHER RELATED ITEMS.

ANY IMPLIED WARRANTIES SHALL BE LIMITED IN DURATION TO ONE YEAR FROM DATE OF PURCHASE. SOME STATES IN THE U.S., SOME CANADIAN PROVINCES DO NOT ALLOW LIMITATIONS ON HOW LONG AN IMPLIED WARRANTY LASTS, SO THE ABOVE LIMITATION MAY NOT APPLY TO YOU.

IN NO EVENT SHALL SELLER BE LIABLE FOR ANY INCIDENTAL OR CONSEQUENTIAL DAMAGES (INCLUDING BUT NOT LIMITED TO LIABILITY FOR LOSS OF PROFITS) ARISING FROM THE SALE OR USE OF THIS PRODUCT. SOME STATES IN THE U.S. AND SOME CANADIAN PROVINCES DO NOT ALLOW THE EXCLUSION OR LIMITATION OF INCIDENTAL OR CONSEQUENTIAL DAMAGES, SO THE ABOVE LIMITATION OR EXCLUSION MAY NOT APPLY TO YOU.

THIS LIMITED WARRANTY GIVES YOU SPECIFIC LEGAL RIGHTS, AND YOU MAY ALSO HAVE OTHER RIGHTS WHICH VARY FROM STATE TO STATE IN THE U.S., PROVINCE TO PROVINCE IN CANADA AND FROM COUNTRY TO COUNTRY.

THIS LIMITED WARRANTY APPLIES ONLY TO PORTABLE AND BENCHTOP ELECTRIC TOOLS SOLD WITHIN THE UNITED STATES OF AMERICA, CANADA AND THE COMMONWEALTH OF PUERTO RICO. FOR WARRANTY COVERAGE WITHIN OTHER COUNTRIES, CONTACT YOUR LOCAL BOSCH DEALER OR IMPORTER.

**GARANTIE LIMITÉE DES OUTILS ÉLECTRIQUES PORTATIFS ET D'ÉTABLI BOSCH**

Robert Bosch Tool Corporation (le « vendeur ») garantit à l'acheteur initial seulement que tous les outils électriques portatifs et d'établi BOSCH seront exempts de vices de matériaux ou d'exécution pendant une période d'un an depuis la date d'achat. LA SEULE OBLIGATION DU VENDEUR ET LE SEUL RECOURS DE L'ACHETEUR sous la présente garantie limitée, et en autant que la loi le permette sous toute garantie ou condition implicite qui en découlerait, sera l'obligation de remplacer ou réparer gratuitement les pièces défectueuses matériellement ou comme fabrication, pourvu que lesdites défectuosités ne soient pas attribuables à un usage abusif ou à quelque réparation bricolée par quelqu'un d'autre que le vendeur ou le personnel d'une station-service agréée. Pour présenter une réclamation en vertu de cette garantie limitée, vous devez renvoyer l'outil électrique portatif ou d'établi complet, port payé, à tout centre de service agréé ou centre de service usine. Veuillez consulter votre annuaire téléphonique pour les adresses.

LA PRÉSENTE GARANTIE NE S'APPLIQUE PAS AUX ACCESSOIRES TELS QUE LAMES DE SCIES CIRCULAIRES, MÊCHES DE PERCEUSES, FERS DE TOUPIES, LAMES DE SCIES SAUTEUSES, COURROIES DE PONÇAGE, MEULES ET AUTRES ARTICLES DU GENRE.

TOUTE GARANTIE IMPLICITE SERA LIMITÉE COMME DURÉE À UN AN À COMPTER DE LA DATE D'ACHAT. CERTAINS ÉTATS AMÉRICAINS, CERTAINES PROVINCES CANADIENNES N'ADMETTANT PAS LE PRINCIPE DE LA LIMITATION DE LA DURÉE DES GARANTIES IMPLICITES, IL EST POSSIBLE QUE LES LIMITATIONS CI-DESSUS NE S'APPLIQUENT PAS À VOTRE CAS.

EN AUCUN CAS LE VENDEUR NE SAURAIT ÊTRE TENU POUR RESPONSABLE DES INCIDENTS OU DOMMAGES INDIRECTS (INCLUANT, MAIS NE SE LIMITANT PAS AUX PERTES DE PROFITS) CONSÉCUTIFS À LA VENTE OU L'USAGE DE CE PRODUIT. CERTAINS ÉTATS AMÉRICAINS ET CERTAINES PROVINCES CANADIENNES N'ADMETTANT PAS LE PRINCIPE DE LA LIMITATION NI L'EXCLUSION DES DOMMAGES INDIRECTS ET CONSÉQUENTS, IL EST POSSIBLE QUE LES LIMITATIONS OU EXCLUSIONS CI-DESSUS NE S'APPLIQUENT PAS À VOTRE CAS.

LA PRÉSENTE GARANTIE VOUS ACCORDE DES DROITS BIEN DÉTERMINÉS, Y COMPRIS POSSIBLEMENT CERTAINS DROITS VARIABLES DANS LES DIFFÉRENTS ÉTATS AMÉRICAINS, PROVINCES CANADIENNE ET DE PAYS À PAYS.

CETTE GARANTIE LIMITÉE NE S'APPLIQUE QU'ÀUX OUTILS ÉLECTRIQUES PORTATIFS ET D'ÉTABLI VENDUS AUX ÉTATS-UNIS D'AMÉRIQUE, AU CANADA ET AU COMMONWEALTH DE PORTO RICO. POUR COUVERTURE DE GARANTIE DANS LES AUTRES PAYS, CONTACTEZ VOTRE IMPORTATEUR OU REVENDEUR BOSCH LOCAL.

**GARANTIA LIMITADA PARA HERRAMIENTAS MECANICAS PORTATILES Y PARA TABLERO DE BANCO BOSCH**

Robert Bosch Tool Corporation (el Vendedor) garantiza, únicamente al comprador original, que todas las herramientas mecánicas portátiles y para tablero de banco BOSCH estarán libres de defectos de material o de fabricación durante un periodo de un año a partir de la fecha de compra. LA ÚNICA OBLIGACION DEL VENDEDOR Y EL RECURSO EXCLUSIVO QUE USTED TIENE bajo esta Garantía Limitada y, hasta donde la ley lo permita, bajo cualquier garantía o condición implícita por ley, consistirá en la reparación o sustitución sin costo de las piezas que presenten defectos de material o de fabricación y que no hayan sido utilizadas incorrectamente, manejadas descuidadamente o reparadas incorrectamente por personas que no sean el Vendedor o una Estación de servicio autorizada. Para efectuar una reclamación bajo esta Garantía Limitada, usted debe devolver el producto, que consiste en la herramienta mecánica portátil o para tablero de banco completa, con el transporte pagado, a cualquier Centro de servicio de fábrica o Estación de servicio autorizada. Para Estaciones de servicio autorizadas de herramientas mecánicas BOSCH, por favor, consulte el directorio telefónico.

ESTA GARANTIA LIMITADA NO SE APLICA A ARTICULOS ACCESORIOS TALES COMO HOJAS PARA SIERRAS CIRCULARES, BROCAS PARA TALADROS, BROCAS PARA FRESADORAS, HOJAS PARA SIERRAS DE VAIVEN, CORREAS PARA LIJAR, RUEDAS DE AMOLAR Y OTROS ARTICULOS RELACIONADOS.

TODAS LAS GARANTIAS IMPLICITAS TENDRAN UNA DURACION LIMITADA A UN AÑO A PARTIR DE LA FECHA DE COMPRA. ALGUNOS ESTADOS DE LOS EE.UU. Y ALGUNAS PROVINCIAS CANADIENSES NO PERMITEN LIMITACIONES EN CUANTO A LA DURACION DE UNA GARANTIA IMPLICITA, POR LO QUE ES POSIBLE QUE LA LIMITACION ANTERIOR NO SEA APLICABLE EN EL CASO DE USTED.

EL VENDEDOR NO SERA RESPONSABLE EN NINGUN CASO DE NINGUN DAÑO INCIDENTAL O EMERGENTE (INCLUYENDO PERO NO LIMITADO A RESPONSABILIDAD POR PERDIDA DE BENEFICIOS) QUE SE PRODUZCA COMO CONSECUENCIA DE LA VENTA O UTILIZACION DE ESTE PRODUCTO. ALGUNOS ESTADOS DE LOS EE.UU. Y ALGUNAS PROVINCIAS CANADIENSES NO PERMITEN LA EXCLUSION O LIMITACION DE LOS DAÑOS INCIDENTALES O EMERGENTES, POR LO QUE ES POSIBLE QUE LA LIMITACION O EXCLUSION ANTERIOR NO SEA APLICABLE EN EL CASO DE USTED.

ESTA GARANTIA LIMITADA LE CONFIERE A USTED DERECHOS LEGALES ESPECIFICOS Y ES POSIBLE QUE USTED TAMBIEN TENGA OTROS DERECHOS QUE VARIAN DE ESTADO A ESTADO EN LOS EE.UU., DE PROVINCIA A PROVINCIA EN CANADA Y DE UN PAIS A OTRO.

ESTA GARANTIA LIMITADA SE APLICA SOLAMENTE A HERRAMIENTAS ELECTRICAS PORTATILES Y PARA TABLERO DE BANCO VENDIDAS EN LOS ESTADOS UNIDOS DE AMERICA, CANADA Y EL ESTADO LIBRE ASOCIADO DE PUERTO RICO. PARA COBERTURA DE GARANTIA EN OTROS PAISES, PONGASE EN CONTACTO CON SU DISTRIBUIDOR O IMPORTADOR LOCAL DE BOSCH.

© Robert Bosch Tool Corporation 1800 W. Central Road Mt. Prospect, IL 60056-2230

Exportado por: Robert Bosch Tool Corporation Mt. Prospect, IL 60056-2230, E.U.A.

Importado en México por: Robert Bosch, S.A. de C.V., Calle

Robert Bosch No. 405, Zona Industrial, Toluca, Edo. de

México, C.P. 50070, Tel. (722) 2792300



2 6 1 0 0 4 7 9 8 8

2610047988 06/17