

IMPORTANT
Read Before Using

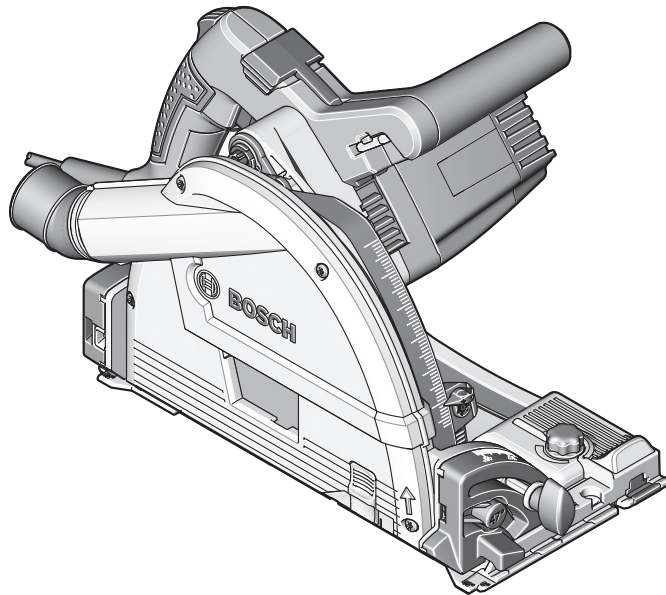
IMPORTANT
Lire avant usage

IMPORTANTE
Leer antes de usar



Operating / Safety Instructions
Consignes d'utilisation/de sécurité
Instrucciones de funcionamiento y seguridad

GKT13-225



BOSCH

Call Toll Free for Consumer Information and Service Locations

Pour obtenir des informations et les adresses de nos centres de service après-vente, appelez ce numéro gratuit

Llame gratis para obtener información para el consumidor y ubicaciones de servicio

1-877-BOSCH99 (1-877-267-2499) www.boschtools.com





For English Version
See page 2

Version française
Voir page 27

Versión en español
Ver la página 55

Safety Symbols

The definitions below describe the level of severity for each signal word. Please read the manual and pay attention to these symbols.

	This is the safety alert symbol. It is used to alert you to potential personal injury hazards. Obey all safety messages that follow this symbol to avoid possible injury or death.
	DANGER indicates a hazardous situation which, if not avoided, will result in death or serious injury.
	WARNING indicates a hazardous situation which, if not avoided, could result in death or serious injury.
	CAUTION indicates a hazardous situation which, if not avoided, could result in minor or moderate injury.

General Power Tool Safety Warnings

WARNING Read all safety warnings, instructions, illustrations and specifications provided with this power tool. Failure to follow all instructions listed below may result in electric shock, fire and/or serious injury.

SAVE ALL WARNINGS AND INSTRUCTIONS FOR FUTURE REFERENCE

The term “power tool” in the warnings refers to your mains-operated (corded) power tool or battery-operated (cordless) power tool.

Work area safety

Keep work area clean and well lit. Cluttered or dark areas invite accidents.

Do not operate power tools in explosive atmospheres, such as in the presence of flammable liquids, gases or dust. Power tools create sparks which may ignite the dust or fumes.

Keep children and bystanders away while operating a power tool. Distractions can cause you to lose control.

Electrical safety

Power tool plugs must match the outlet. Never modify the plug in any way. Do not use any adapter plugs with earthed (grounded) power tools. Unmodified plugs and matching outlets will reduce risk of electric shock.

Avoid body contact with earthed or grounded surfaces, such as pipes, radiators, ranges and refrigerators. There is an increased risk of electric shock if your body is earthed or grounded.

Do not expose power tools to rain or wet conditions. Water entering a power tool will increase the risk of electric shock.

Do not abuse the cord. Never use the cord for carrying, pulling or unplugging the power tool. Keep cord away from heat, oil, sharp edges or moving parts. Damaged or entangled cords increase the risk of electric shock.

When operating a power tool outdoors, use an extension cord suitable for outdoor use. Use of a cord suitable for outdoor use reduces the risk of electric shock.

If operating a power tool in a damp location is unavoidable, use a Ground Fault Circuit Interrupter (GFCI) protected supply. Use of an GFCI reduces the risk of electric shock.

Personal safety

Stay alert, watch what you are doing and use common sense when operating a power tool. Do not use a power tool while you are tired or under the influence of drugs, alcohol or medication. A moment of

General Power Tool Safety Warnings

inattention while operating power tools may result in serious personal injury.

Use personal protective equipment. Always wear eye protection. Protective equipment such as dust mask, non-skid safety shoes, hard hat, or hearing protection used for appropriate conditions will reduce personal injuries.

Prevent unintentional starting. Ensure the switch is in the off-position before connecting to power source and / or battery pack, picking up or carrying the tool. Carrying power tools with your finger on the switch or energizing power tools that have the switch on invites accidents.

Remove any adjusting key or wrench before turning the power tool on. A wrench or a key left attached to a rotating part of the power tool may result in personal injury.

Do not overreach. Keep proper footing and balance at all times. This enables better control of the power tool in unexpected situations.

Dress properly. Do not wear loose clothing or jewelry. Keep your hair, clothing and gloves away from moving parts. Loose clothes, jewelry or long hair can be caught in moving parts.

If devices are provided for the connection of dust extraction and collection facilities, ensure these are connected and properly used. Use of dust collection can reduce dust-related hazards.

Do not let familiarity gained from frequent use of tools allow you to become complacent and ignore tool safety principles. A careless action can cause severe injury within a fraction of a second.

Power tool use and care

Do not force the power tool. Use the correct power tool for your application. The correct power tool will do the job better and safer at the rate for which it was designed.

Do not use the power tool if the switch does not turn it on and off. Any power tool that cannot be controlled with the switch is dangerous and must be repaired.

Disconnect the plug from the power source and/or the battery pack from the power tool before making any adjustments, changing accessories, or storing power tools. Such preventive safety measures reduce the risk of starting the power tool accidentally.

Store idle power tools out of the reach of children and do not allow persons unfamiliar with the power tool or these instructions to operate the power tool. Power tools are dangerous in the hands of untrained users.

Maintain power tools and accessories. Check for misalignment or binding of moving parts, breakage of parts and any other condition that may affect the power tool's operation. If damaged, have the power tool repaired before use. Many accidents are caused by poorly maintained power tools.

Keep cutting tools sharp and clean. Properly maintained cutting tools with sharp cutting edges are less likely to bind and are easier to control.

Use the power tool, accessories and tool bits etc. in accordance with these instructions, taking into account the working conditions and the work to be performed. Use of the power tool for operations different from those intended could result in a hazardous situation.

Keep handles and grasping surfaces dry, clean and free from oil and grease. Slippery handles and grasping surfaces do not allow for safe handling and control of the tool in unexpected situations.

Service

Have your power tool serviced by a qualified repair person using only identical replacement parts. This will ensure that the safety of the power tool is maintained.

Safety Rules for Circular Saws

⚠ DANGER Keep hands away from cutting area and the blade.

Keep your second hand on auxiliary handle, or motor housing. If both hands are holding the saw, they cannot be cut by the blade.

Do not reach underneath the workpiece. The guard cannot protect you from the blade below the workpiece.

Adjust the cutting depth to the thickness of the workpiece. Less than a full tooth of the blade teeth should be visible below the workpiece.

Never hold piece being cut in your hands or across your leg. Secure the workpiece to a stable platform. It is important to support the work properly to minimize body exposure, blade binding, or loss of control.

Hold the power tool by insulated gripping surfaces only, when performing an operation where the cutting tool may contact hidden wiring or its own cord. Contact with a "live" wire will also make exposed metal parts of the power tool "live" and could give the operator an electric shock.

When ripping, always use track, rip fence or straight edge guide. This improves the accuracy of cut and reduces the chance of blade binding.

Always use blades with correct size and shape (diamond versus round) of arbor holes. Blades that do not match the mounting hardware of the saw will run eccentrically, causing loss of control.

Never use damaged or incorrect blade washers or bolt. The blade washers and bolt were specially designed for your saw, for optimum performance and safety of operation.

Inspect the condition and quality of the wood and remove all nails from lumber before cutting. Wet lumber, green lumber or pressure treated lumber require special attention during cutting operation to prevent kickback.

Hold the saw firmly to prevent loss of control. Figures in this manual illustrate typical hand support of the saw.

Depending upon use, the switch may not last the life of the saw. If the switch should fail in the "OFF" position, the saw may not

start. If it should fail while the saw is running, the saw may not shut off. If either occurs, unplug the saw immediately and do not use until repaired.

This circular saw should not be mounted to a table and converted to a table saw. Circular saws are not designed or intended to be used as table saws.

Kickback causes and related warnings

Kickback is a sudden reaction to a pinched, jammed or misaligned saw blade, causing an uncontrolled saw to lift up and out of the workpiece toward the operator.

When the blade is pinched or jammed tightly by the kerf closing down, the blade stalls and the motor reaction drives the unit rapidly back toward the operator.

If the blade becomes twisted or misaligned in the cut, the teeth at the back edge of the blade can dig into the top surface of the wood causing the blade to climb out of the kerf and jump back toward the operator.

Kickback is the result of saw misuse and/or incorrect operating procedures or conditions and can be avoided by taking proper precautions as given below:

Maintain a firm grip with both hands on the saw and position your arms to resist kickback forces. Position your body to either side of the blade, but not in line with the blade. Kickback could cause the saw to jump backwards, but kickback forces can be controlled by the operator, if proper precautions are taken.

When blade is binding, or when interrupting a cut for any reason, release the trigger and hold the saw motionless in the material until the blade comes to a complete stop. Never attempt to remove the saw from the work or pull the saw backward while the blade is in motion or kickback may occur. Investigate and take corrective action to eliminate the cause of blade binding.

When restarting a saw in the workpiece, center the saw blade in the kerf so that the saw teeth are not engaged into the material. If saw blade binds, it may walk up or kickback from the workpiece as the saw is restarted.

Safety Rules for Circular Saws

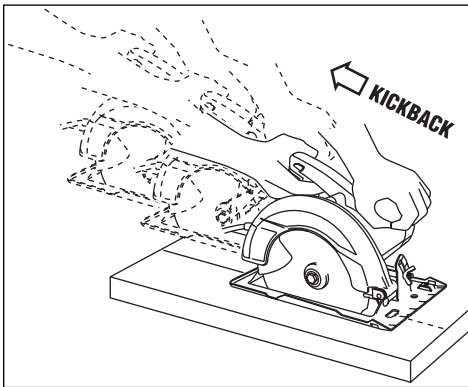
Support large panels to minimize the risk of blade pinching and kickback. Large panels tend to sag under their own weight. Supports must be placed under the panel on both sides, near the line of cut and near the edge of the panel.

Do not use dull or damaged blades. Unsharpened or improperly set blades produce narrow kerf causing excessive friction, blade binding and kickback.

Blade depth and bevel adjusting locking levers must be tight and secure before making the cut. If blade adjustment shifts while cutting, it may cause binding and kickback.

Use extra caution when sawing into existing walls or other blind areas. The protruding blade may cut objects that can cause kickback.

The blade washers and the bolt on your saw have been designed to work as a clutch to reduce the intensity of a kickback. Understand the operation and settings of the VARI-TORQUE CLUTCH. The proper setting of the clutch, combined with firm handling of the saw will allow you to control kickback.



Never place your hand behind the saw blade. Kickback could cause the saw to jump backwards over your hand.

Do not use the saw with an excessive depth of cut setting. Too much blade

exposure increases the likelihood of the blade twisting in the kerf and increases the surface area of the blade available for pinching that leads to kickback.

Guard function

Check the guard for proper closing before each use. Do not operate the saw if the guard does not move freely and enclose the blade instantly. Never clamp or tie the guard so that the blade is exposed. If the saw is accidentally dropped, the guard may be bent. Check to make sure that the guard moves freely and does not touch the blade or any other part, in all angles and depths of cut.

Check the operation and condition of the guard return spring. If the guard and the spring are not operating properly, they must be serviced before use. The guard may operate sluggishly due to damaged parts, gummy deposits, or a build-up of debris.

Assure that the base plate of the saw will not shift while performing a "plunge cut". Blade shifting sideways will cause binding and likely kick back.

Always observe that the guard is covering the blade before placing the saw down on bench or floor. An unprotected, coasting blade will cause the saw to walk backwards, cutting whatever is in its path. Be aware of the time it takes for the blade to stop after the switch is released.

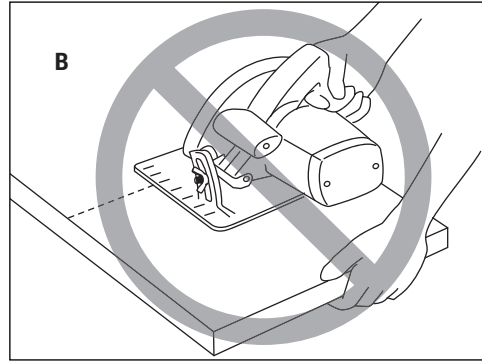
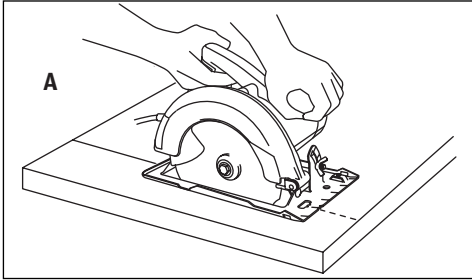
Do not run the tool while carrying it at your side. Guard may be opened by a contact with your clothing. Accidental contact with the spinning saw blade could result in serious personal injury.

Periodically clean the guard and the guard spring area with compressed air. Preventive maintenance and properly operating guard will reduce the probability of an accident.

Place the wider portion of the footplate on that part of the workpiece, which is solidly supported, not on the section that will fall

Safety Rules for Circular Saws

off when the cut is made. As examples, Fig. A illustrates the RIGHT way to cut off the end of a board, and Fig. B the WRONG way.



If the workpiece is short or small, clamp it down. DO NOT TRY TO HOLD SHORT PIECES BY HAND!

Additional Safety Warnings

GFCI and personal protection devices like electrician's rubber gloves and footwear will further enhance your personal safety.

Do not use AC only rated tools with a DC power supply. While the tool may appear to work, the electrical components of the AC rated tool are likely to fail and create a hazard to the operator.

Keep handles dry, clean and free from oil and grease. Slippery hands cannot safely control the power tool.

Use clamps or another practical way to secure and support the workpiece to a stable platform. Holding the work by hand or against your body leaves it unstable and may lead to loss of control.

Develop a periodic maintenance schedule for your tool. When cleaning a tool be careful not to disassemble any portion of the tool since internal wires may be misplaced or pinched or safety guard return springs may be improperly mounted. Certain cleaning agents such as gasoline, carbon tetrachloride, ammonia, etc. may damage plastic parts.

Risk of injury to user. The power cord must only be serviced by a Bosch Factory Service Center or Authorized Bosch Service Station.

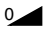



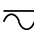


⚠ WARNING Some dust created by power sanding, sawing, grinding, drilling, and other construction activities contains chemicals known to cause cancer, birth defects or other reproductive harm. Some examples of these chemicals are:

- Lead from lead-based paints,
- Crystalline silica from bricks and cement and other masonry products, and
- Arsenic and chromium from chemically-treated lumber.

Your risk from these exposures varies, depending on how often you do this type of work. To reduce your exposure to these chemicals: work in a well ventilated area, and work with approved safety equipment, such as those dust masks that are specially designed to filter out microscopic particles.

Symbols

Important: Some of the following symbols may be used on your tool. Please study them and learn their meaning. Proper interpretation of these symbols will allow you to operate the tool better and safer.

Symbol	Designation / Explanation
V	Volts (voltage)
A	Amperes (current)
Hz	Hertz (frequency, cycles per second)
W	Watt (power)
kg	Kilograms (weight)
min	Minutes (time)
s	Seconds (time)
∅	Diameter (size of drill bits, grinding wheels, etc.)
n_0	No load speed (rotational speed at no load)
n	Rated speed (maximum attainable speed)
.../min	Revolutions or reciprocation per minute (revolutions, strokes, surface speed, orbits etc. per minute)
0	Off position (zero speed, zero torque...)
1, 2, 3, ... I, II, III,	Selector settings (speed, torque or position settings. Higher number means greater speed)
	Ininitely variable selector with off (speed is increasing from 0 setting)
	Arrow (action in the direction of arrow)
	Alternating current (type or a characteristic of current)
	Direct current (type or a characteristic of current)
	Alternating or direct current (type or a characteristic of current)
	Class II construction (designates double insulated construction tools)
	Earthing terminal (grounding terminal)

Symbols

Important: Some of the following symbols may be used on your tool. Please study them and learn their meaning. Proper interpretation of these symbols will allow you to operate the tool better and safer.

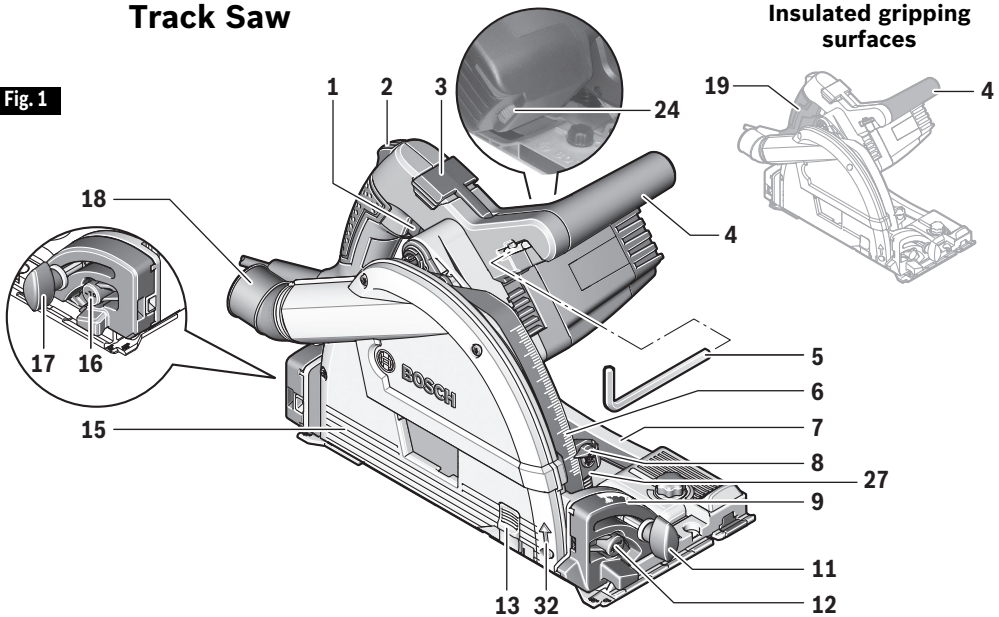
Symbol	Designation / Explanation
	Designates Li-ion battery recycling program
	Designates Ni-Cad battery recycling program
	Alerts user to read manual
	Alerts user to wear eye protection
	This symbol designates that this tool is listed by Underwriters Laboratories.
	This symbol designates that this component is recognized by Underwriters Laboratories.
	This symbol designates that this tool is listed by Underwriters Laboratories, to United States and Canadian Standards.
	This symbol designates that this tool is listed by the Canadian Standards Association.
	This symbol designates that this tool is listed by the Canadian Standards Association, to United States and Canadian Standards.
	This symbol designates that this tool is listed by the Intertek Testing Services, to United States and Canadian Standards.
	This symbol designates that this tool complies to NOM Mexican Standards.

Getting to Know Your Saw

⚠ WARNING Disconnect the plug from the power source before making any assembly, adjustments or changing accessories. Such preventive safety measures reduce the risk of starting the tool accidentally.

Track Saw

Fig. 1



- 1 On/Off switch
- 2 Lock-off button (for On/Off switch)
- 3 Depth lock lever
- 4 Auxiliary handle (insulated gripping surface)
- 5 Hex wrench
- 6 Cutting-depth scale
- 7 Footplate (Base plate)
- 8 Cutting-depth indicator
- 9 Bevel scale
- 10 Wing bolt for rip fence**
- 11 Bevel adjustment knob, front
- 12 Button for 47° bevel angle
- 13 Viewing window

- 14 Rip fence**
- 15 Blade guard
- 16 Button for -1° bevel angle
- 17 Bevel lock knob, rear
- 18 Swiveling dust port
- 19 Handle (insulated gripping surface)
- 20 Blade stud*
- 21 Outer washer*
- 22 Saw blade* **
- 23 Inner washer*
- 24 Speed dial
- 25 Shaft lock button*
- 26 Blade shaft*
- 27 Depth stop slider
- 28 Line guide 0° *

- 29 Line guide 45° *
- 30 Plastic insert*
- 31 Knurled alignment knobs*
- 32 Direction of rotation arrow
- 33 Straight edge guide*
- 34 Vacuum hose * **
- 35 Front cut limit mark*
- 36 Rear cut limit mark*

* Not Shown. See further in these operating instructions.

** Sold separately

Specifications

Model number	GKT13-225
Blade	6-1/2"
Blade arbor hole	20mm Round
Tooth thickness	0.1" (2.6mm)* *minimum 0.07" (1.8mm)
Blade thickness	0.07" (1.8mm) Maximum
Depth of cut at 90°	2-1/4" (57mm) Maximum
Depth of cut at 45°	1.65" (42mm) Maximum
Depth of cut at 47°	1.6" (40.8mm) Maximum

NOTE: For tool specifications refer to the nameplate on your tool.

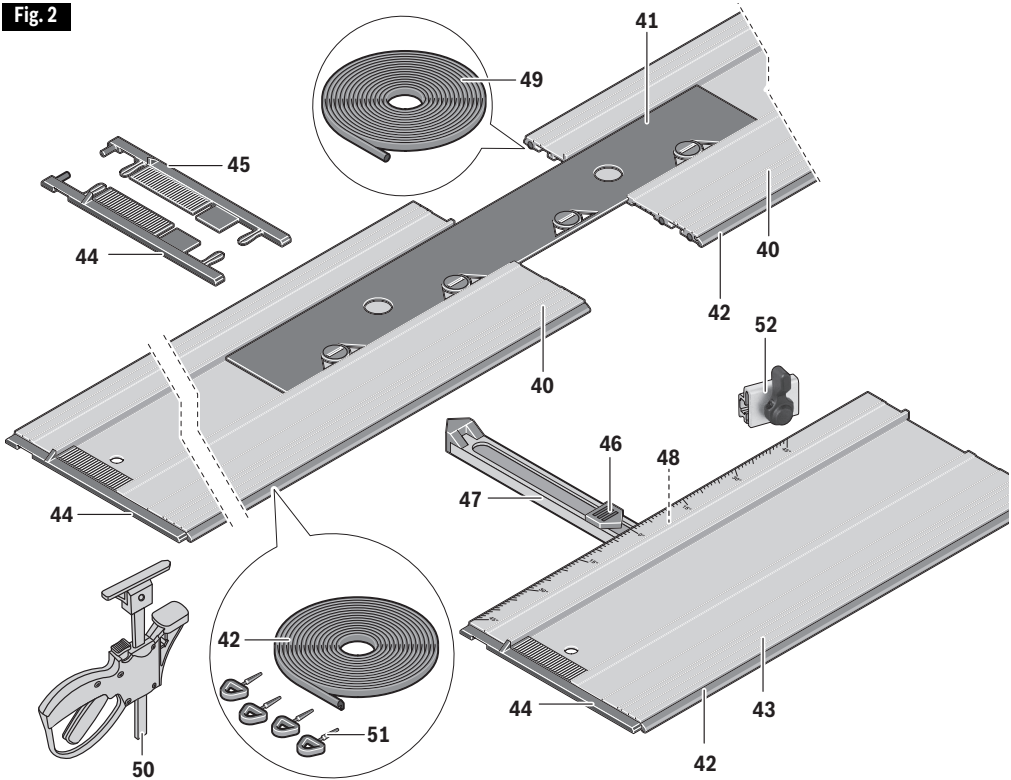
Certified to

CAN/CSA C22.2 No. 62841-2-5-16
UL 62841-2-5 (Ed.1)
in conjunction with
CAN/CSA C22.2 No. 62841-1-15
UL 62841-1 (Ed.1)

Including CSA Initial factory evaluation

Getting to Know Your Track

Fig. 2



- | | | |
|------------------------------|---------------------------------|-----------------------------|
| 40 Track | 45 End cap, right | 50 Track Clamps (x2) |
| 41 Track Connector | 46 Miter angle indicator | 51 Spikes |
| 42 Anti-splinter edge | 47 Fence | 52 Travel Stop |
| 43 Miter guide | 48 Miter locking knob | |
| 44 End cap, left | 49 Traction strip | |

Saw Assembly

► Replacing The Blade

⚠ WARNING Disconnect the plug from the power source before making any assembly, adjustments or changing accessories. Such preventive safety measures reduce the risk of starting the tool accidentally.

⚠ WARNING Use only 6-1/2" blade rated 6250/min (RPM) or greater. Do not use abrasive wheels. Using blade not designed for the saw may result in serious personal injury and property damage.

Hex wrench **5** is stored in the auxiliary handle (Fig. 1).

▼ REMOVING THE BLADE

- Squeeze the depth stop slider **27** and move it all the way down (Fig. 1). For changing the blade, it is best to place the saw on the side of the motor housing (Fig. 3).
- Pivot lever **3** toward the front (Fig. 3).
- Push lock-off button **2** toward the front and press the saw toward footplate **7** until it audibly engages in the position for changing the saw blade (the blade stud **20** or the blade shaft **26** is accessible through the window in the blade guard **15**).

- Press and hold the shaft lock button **25**.

Note: The shaft lock button **25** may be actuated only when the saw is at a standstill. Otherwise, the saw can be damaged.

- With the hex wrench **5**, loosen the blade stud **20** turning in rotation direction **b** (counterclockwise).
- Remove the outer washer **21** and the saw blade **22** from the blade shaft **26**.

▼ ATTACHING THE BLADE

- Make sure the replacement saw blade **22** and washers **21** and **23** are clean. Place the saw blade **22** on to the inner washer **23**. Make sure the saw blade teeth and arrow **36** on the blade point in the same direction as the arrow **32** on the blade guard **15**.
- Mount the outer washer **21** and screw

the blade stud **20** into the blade shaft **26** turning in rotation direction **a** (clockwise). Observe correct mounting position of the mounting flange **23** and clamping flange **21**.

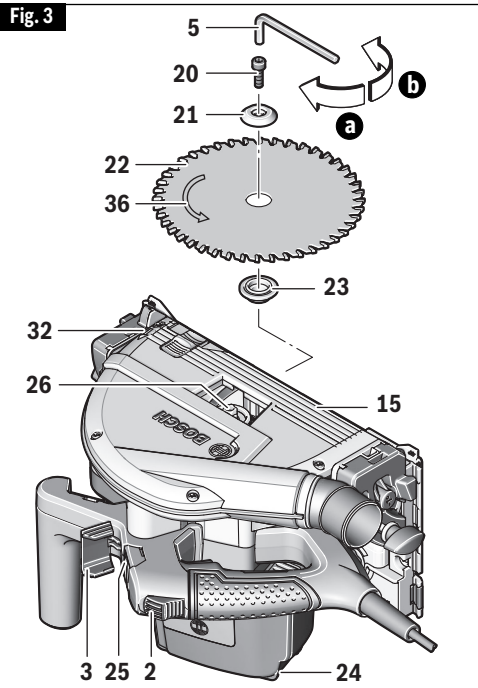
- Press and hold the shaft lock button **25**. First tighten blade stud **20** finger tight, then with the hex wrench **5**, tighten the blade stud **20** 1/8 turn (45°) in rotation direction **a** (clockwise).

Note: Do not use wrenches with longer handles, since it may lead to over tightening of the blade stud.

- Pivot the depth lock lever **3** back. When doing this, the saw retracts back to the starting position.

▼ VARI-TORQUE CLUTCH

This clutching action is provided by the friction of the outer washer **21** against the blade **22** and permits the blade shaft **26** to turn when the blade encounters excessive resistance. When the blade stud **20** is properly tightened (as described in step I of "Attaching The



Saw Assembly

Blade”), the blade will slip when it encounters excessive resistance, thus reducing saw’s tendency to kickback.

One setting may not be sufficient for cutting all materials. If excessive blade

slippage occurs, tighten the blade stud a fraction of a turn more (less than 1/8 turn). OVERTIGHTENING THE BLADE STUD NULLIFIES THE EFFECTIVENESS OF THE CLUTCH.

Track Assembly

▼ ADAPTING THE FOOT PLATE TO VARIOUS TRACKS

The GKT13-225 is designed specifically for precision straight cutting while using a track for guidance.

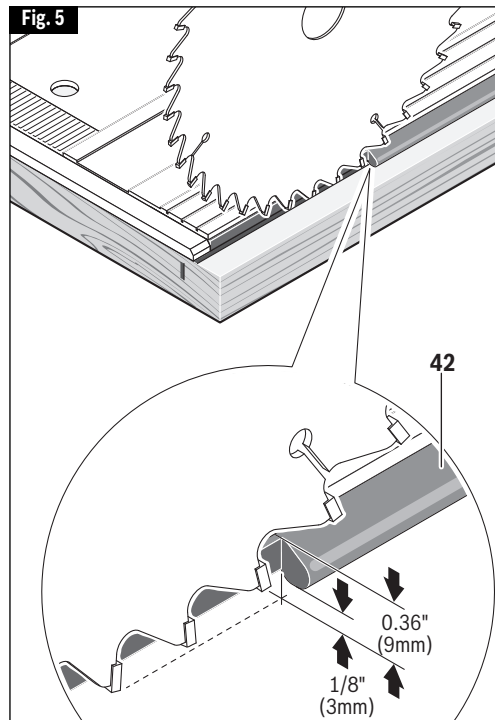
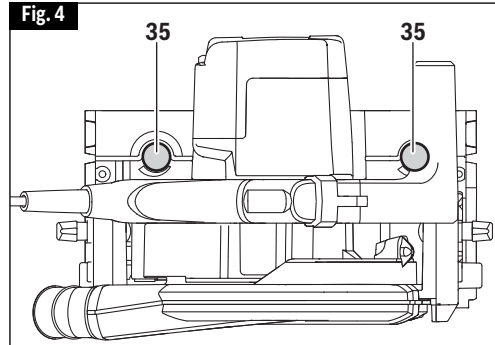
The Bosch tracks (sold separately) are available in five sizes:

FSN800	31.5” (800 mm)
FSN1100	43.3” (1100 mm)
FSN1600	63” (1600 mm)
FSN2100	82.7” (2100 mm)

▼ PREPARING TRACK

Prior to using a track for the first time, the track’s rubber anti-splinter edge **42** must be adapted to the specific saw and blade to be used.

- Place the complete length of track onto a scrap workpiece that is at least 3/4” (19mm) thick.
- Secure the tracks as described in “SECURING TRACKS” further.
- Place the saw onto the tracks and adjust the accuracy of its fit using the two knurled alignment knobs **35** (Fig. 4).
 - Clockwise rotation of the knobs tightens the fit of the saws footplate on to the track’s guiderail
 - Counterclockwise rotation of the knobs loosens the fit of the saws footplate on to the track’s guiderail.
- Move cutting-depth indicator **8** to its upper position (See Fig. 21).
- Make sure that the cutting depth indicator **8** is in position **b** (Fig. 21)



Track Assembly

- F. Adjust the saw's cutting depth to approximately 0.36" (9 mm) and the bevel angle to 0°. This will result in the blade extending 1/8" (3mm) below the anti-splinter edge.
- G. Following the instructions in the "SWITCHING ON AND OFF" section on page 19, switch on the saw and guide it uniformly with a slow feed rate through the end of the track.

▼ SECURING TRACKS

⚠ WARNING To avoid the risk of injury and/or property damage, only use the track clamps to secure the track.

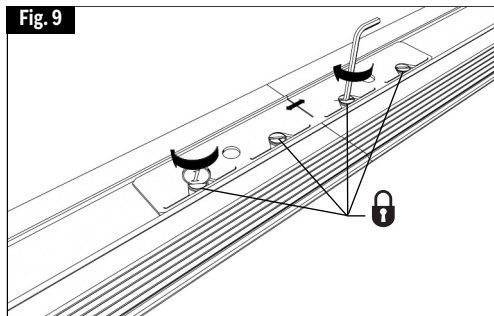
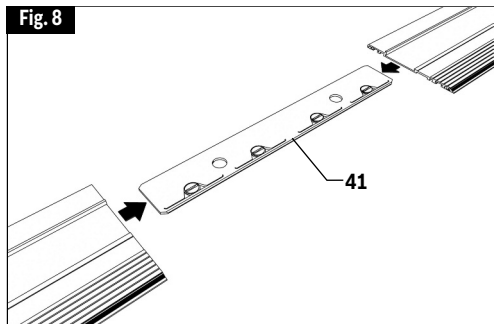
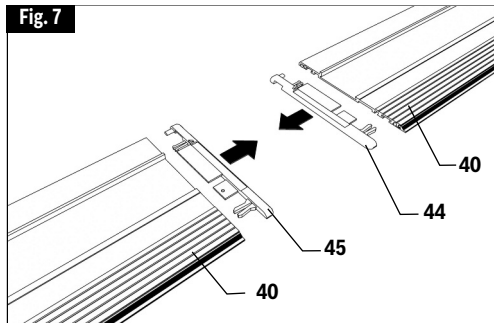
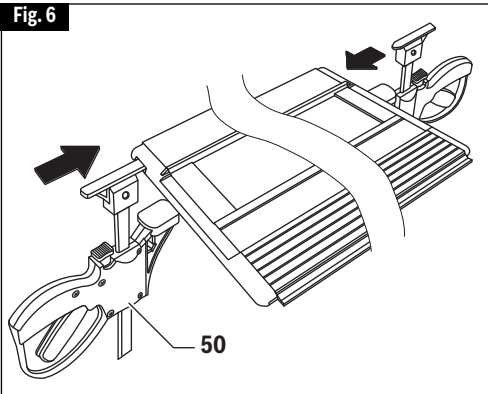
Once the track has been placed in the desired position, insert a track clamp **50** in from each end of the track, then tighten the clamps against the workpiece (Fig. 6).

▼ PROTECTIVE END CAPS

These caps help to protect the ends of the tracks from damage, such as when dropped on their ends. The left **44** and right **45** caps are NOT interchangeable. If one or both of the end caps become damaged, they should simply be replaced.

▼ CONNECTING MULTIPLE TRACKS

- A. Pull out the end caps **44** and **45** from facing ends of the tracks **40** to be connected. Store the end caps in a safe place (Fig. 7).
- B. Insert the connector **41** into one of the tracks **40** as shown and then slide another track onto the other end of the connector (Fig. 8).
- C. Make sure that the tracks have no gap in between them. Move the connector **41** so that the center mark "⇄" is positioned at the joint line. Turn all four locks with a screw driver or a coin to secure the connection (Fig. 9).



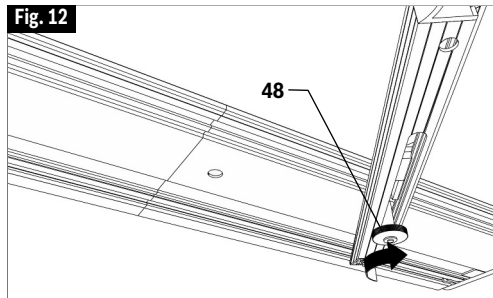
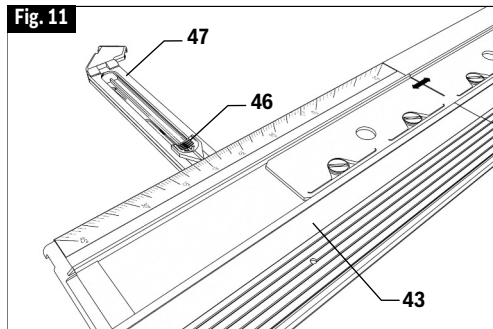
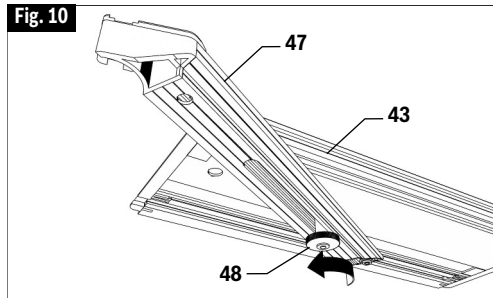
Track Assembly

▼ MITER GUIDE

The miter guide **43** (sold separately) can be used to precisely position a track from 60° left to 45° right.

The miter guide must be positioned at the front end of track.

- A. Loosen the knob **48** on the bottom of the miter guide (Fig. 10).
- B. Follow instructions in “Connecting Multiple Tracks” to attach the miter guide to the desired track using connector **41**.
- C. Use the fence **47** to set the desired angle. As the fence is moved, the indicator **46** shows the angle (Fig. 11).
- D. Once the desired angle is set, tighten the knob **48** on the bottom of the miter guide to hold it at that angle (Fig. 12).
- E. Position the fence and connected track such that the fence rests against the workpiece.
- F. Once the miter guide and connected track have been positioned as desired, secure the miter guide and connected track in place (refer to “Securing Tracks”).

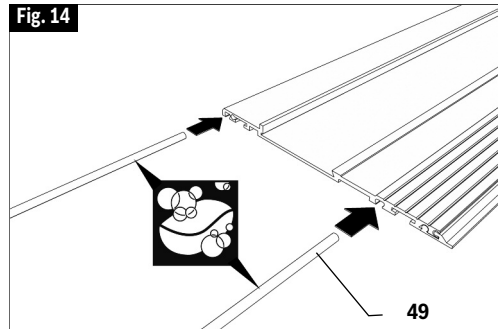
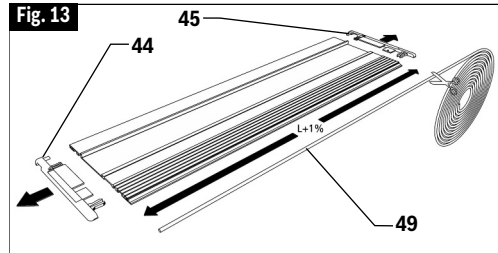


Track Assembly

▼ TRACTION STRIPS

It is important that the two rubberlike strips on the bottom of the tracks maintain their ability to minimize the possibility of the track shifting during a cut. If one or both of the strips become worn, they should be replaced. The traction strip roll is 11 feet (3.35m) long.

- Pull out both end caps **44** and **45** and remove the worn out strips (Fig. 13).
- Unroll and cut two lengths of traction strip **49** that are 1% longer than the length of the track. E.g. for FSN800 the length of strip should be 80.8cm/31.8" (Fig. 13).
- Place a light coating of soap on the new strip to make it easier to slide in the grooves on the bottom side of tracks. Pull the strip though the groove to the far end of the track. Cut off the excess strips (Fig. 14).
- Re-insert both end caps **44** and **45**.

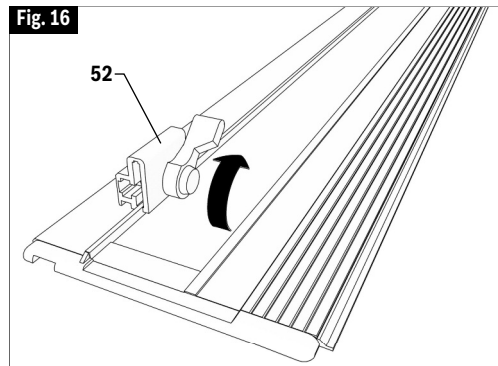
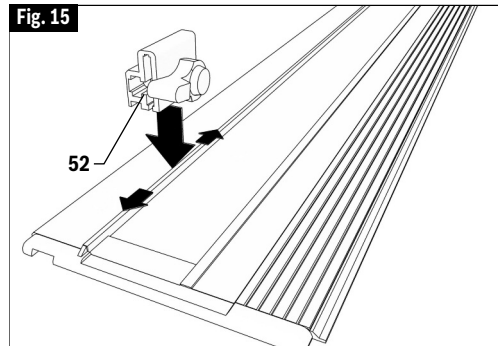


▼ TRAVEL STOP FOR TRACK

The travel stop **52** (sold separately) can be used to limit the saw's range of travel (cutting distance) on a track. The stop can be used to help set the starting location of plunge cut or the end point of the cut.

- Align the track along the intended cut line and clamp into place as described in "Securing Tracks" on page 13.
- Orient the stop on the track as shown (Fig. 15).
- Determine the desired start point or end point for the cut.
- Position the saw such that it will sit in the position where the plunge cut is supposed to start or end.
- Once the saw placed in the desired location, tighten the stop **52** in place using its lever (Fig. 16).

Move the saw forward to continue the cut until the desired endpoint. When the desired end point is reached, pull the saw's head up, and it will retract to the starting position, and the plunging mechanism becomes locked again.



Track Assembly

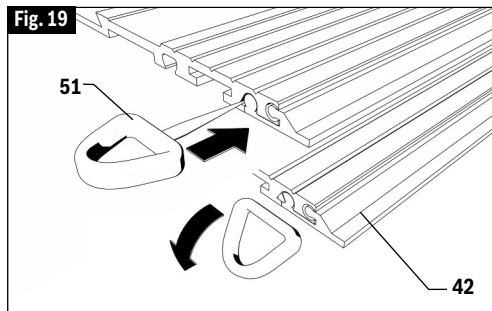
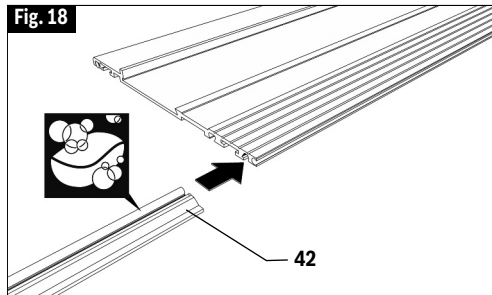
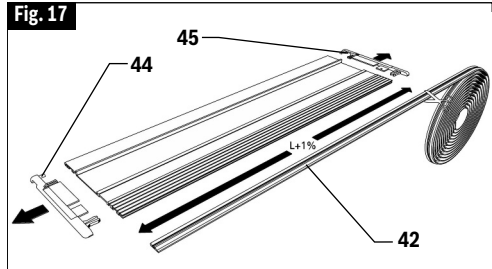
▼ ANTI-SPLINTER EDGE

To minimize splintering of the workpiece, a worn edge should be replaced. The anti-splinter edge comes in a roll that is 11 feet (3.35m) long and can be cut to size for any given track.

- Pull out both end caps **44** and **45** and remove the worn out anti-splinter edge. (Fig. 17).
- Unroll and cut a length of anti-splinter edge **42** that is 1% longer than the length of the track. E.g. for FSN800 the length of strip should be 80.8cm/31.8" (Fig. 17).
- Place a light coating of soap on the new edge to make it easier to slide in the grooves on the bottom side of track (Fig. 18).
- Pull the edge through the groove to the far end of the track. Cut off the excess strips. To help prevent the anti-splinter strip from shifting, press one of the spikes **51** into the track alongside the strip at each end. Bend the spike's handle down to break off the handle (Fig. 19).
- Re-insert the end caps **44** and **45**.
- See "Preparing Track" section on page 12 about adapting the anti-splinter edge to a given saw and blade.

▼ CARRY BAG

The rugged bag accepts two FSN1600 tracks (or shorter) and has a pocket for a Connector and/or a pair of the track quick clamps.



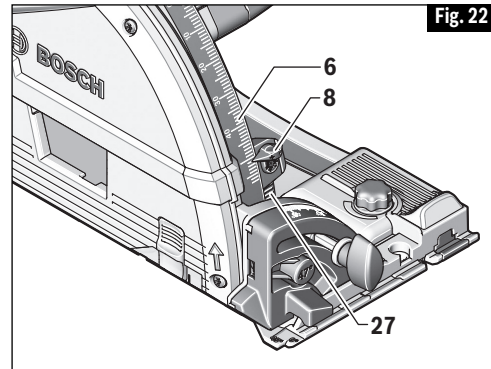
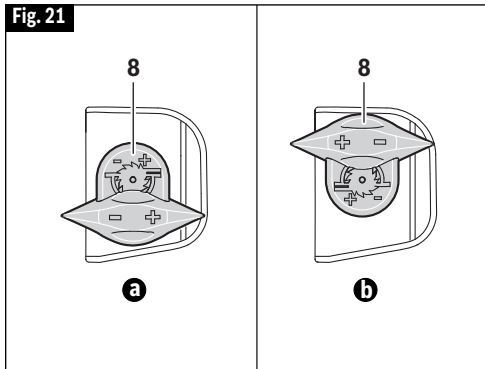
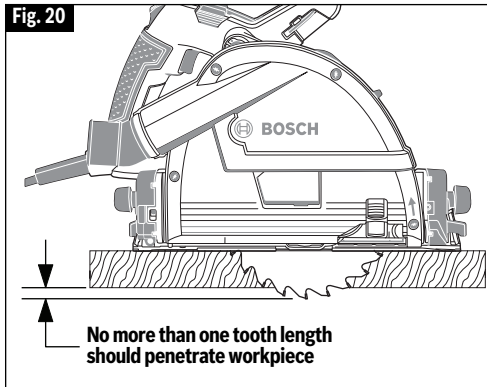
Operating Instructions

► Depth adjustment

⚠ WARNING To reduce the risk of injury, no more than one tooth length of the blade should extend below the material to be cut.

- Disconnect plug from power source.
- Turn cutting-depth indicator **8** to the bottom position **a** for sawing without track, or to the upper position **b** for sawing with track (Fig. 21).
- Squeeze the depth-stop slider **27** and move it to the desired depth (material thickness plus one tooth length) on cutting-depth scale **6** (Fig. 22).

Note: Correct depth setting can also reduce splintering.



► Bevel Adjustment

⚠ WARNING Because of the increased amount of blade engagement in the work and decreased stability of the foot, blade binding may occur. Keep the saw steady and the foot firmly on the workpiece.

- Loosen the knobs **11** and **17**. Tilt the saw sideward (Fig 1).
- Adjust the saw to the desired bevel angle on the scale **9**. Tighten the knobs **11** and **17** again.

The bevel angle of the saw can be adjusted to -1° or $+47^\circ$.

For the -1° bevel angle, additionally push button **16** while tilting, or for the $+47^\circ$ bevel angle, push button **12** while tilting (Fig. 1).

Note: For bevel cuts, the cutting depth is smaller than the setting indicated on the cutting-depth scale **6**.

Note: Before making bevel cuts, retract the clear viewing window **13** all the way up.

Operating Instructions

► Cutting line guides

The 0° cutting line guide **28** indicates the position of the saw blade for straight cuts whether or not a track is used. When a track is used, it indicates the position of the blade at any bevel angle. The 45° line guide **29** indicates the position of the saw blade for 45° bevel cuts when not using the track (Fig. 23).

- The farthest-back point of a full-depth plunge cut is indicated by the cast-in cut limit mark **36** (Fig. 23).
- The farthest-forward point of a full-depth plunge cut is indicated by the red front cut limit mark **35** on the clear plastic window (Fig. 23).

► Dust/Chip Management

The saw's dust port **18** swivels, allowing the dust to exit in the desired direction.

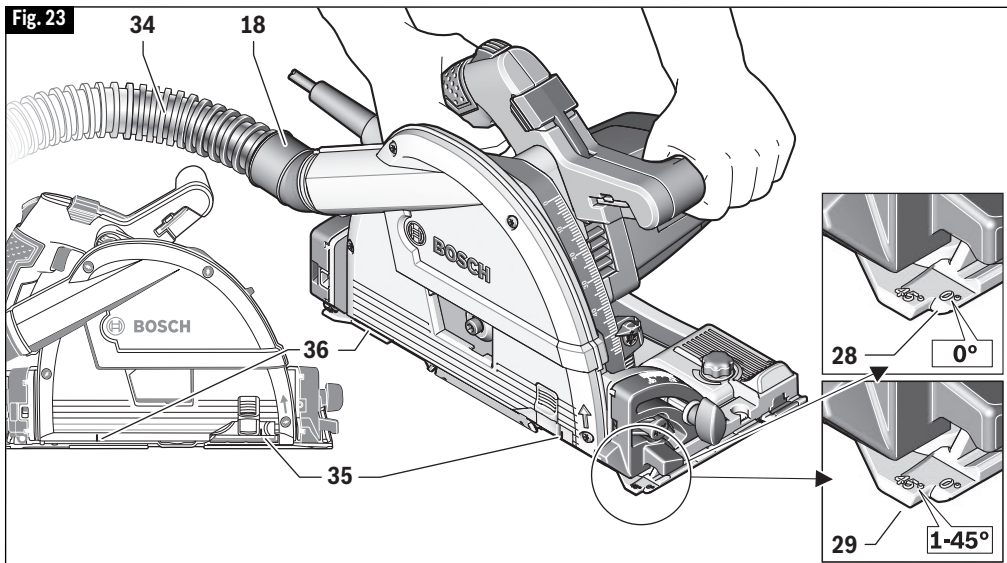
▼ DUST EXTRACTION

The dust port **18** will also accept the typical rubber-like nozzles from 35 mm vacuum cleaner hoses, such as the VX120 that is included with the Bosch VF-Series hoses.

To connect the saw to a 1-1/4" or 1-1/2" hose, the Bosch VAC024 adapter (sold separately) can be used.

Connect the other end of the hose to a suitable dust extractor.

The dust extractor or vacuum cleaner must be suitable for the type of dust that will be created by sawing the workpiece.



Operating Instructions

► Basic operations

⚠ WARNING When starting the tool, hold it with both hands. The torque from the motor can cause the tool to twist.

▼ SPEED SELECTION

The required speed can be preselected with the speed dial **24** before the operation (Fig. 1).

The required speed depends on the saw blade being used and on the material being cut (see overview of saw blades at the end of these operating instructions).

▼ SWITCHING ON AND OFF

To start the machine, first push the lock-off button for the On/Off switch **2** and then press the On/Off switch **1** and keep it pressed.

Actuating lock-off button **2** releases the plunging device at the same time, and allows for the saw to be pushed down. This makes the saw blade plunge into the workpiece. When pulling up, the saw retracts to the starting position and the plunging device is locked again.

To switch off the machine, release the On/Off switch **1**.

Note: For safety reasons, the On/Off switch **1** cannot be locked on; it must remain pressed during the entire operation.

Your saw should be running at the desired full speed BEFORE starting the cut, and turned off only AFTER completing the cut. To increase switch life, do not turn switch on and off while cutting.

▼ SOFT START

The soft start feature limits the power consumption when switching the tool on and enables operation from a 13-ampere fuse.

▼ CONSTANT ELECTRONIC CONTROL

Constant electronic control holds the speed constant at no-load and under load, and helps to ensure uniform working performance.

► General Cutting Instructions

⚠ WARNING After completing a cut and the trigger has been released, be aware of the necessary time it takes for the blade to come to a complete stop during coast down. Be aware of the blade exposure.

Always hold the saw handle with one hand and the auxiliary handle or housing with the other.

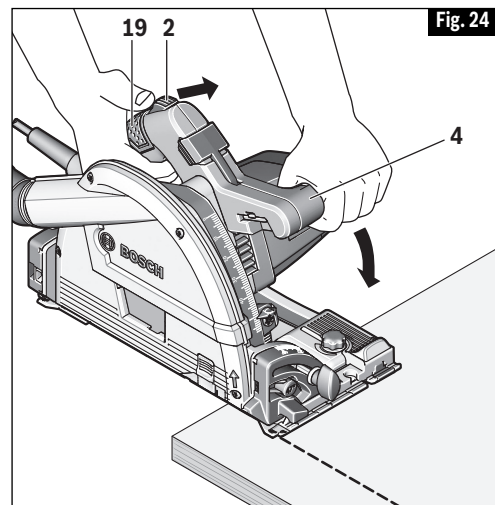
Ensure workpiece is securely clamped.

Maintain a firm grip and operate the switch with a decisive action. Never force the saw. Use light and continuous pressure.

Always allow the blade to reach the full speed (as set on the speed dial) before the blade contacts the workpiece. Unless a plunge cut is required, lower the saw blade to the preset depth before moving the saw forward and into the workpiece.

When cutting is interrupted, to resume cutting: squeeze the trigger and allow the blade to reach full speed, re-enter the cut slowly and resume cutting.

When cutting across the grain, the fibers of the wood have a tendency to tear and lift. Advancing the saw slowly minimizes this effect. For a finish cut, a crosscut blade or miter blade is recommended.



Operating Instructions

▼ CUTTING WITHOUT PLUNGE ACTION

Hold the tool firmly with both hands (one hand on the main handle **19** and the other on the auxiliary handle **4**).

Set the front of footplate on the workpiece to be cut without the blade making any contact (ensure the blade will not make contact with workpiece after it is pushed down to its preset cutting depth).

Push the lock-off button **2** and press the on/off switch **1** to turn the tool on.

Wait until the blade comes to full speed and press down the saw head slowly to the preset depth of cut (Fig. 24).

Push the saw slowly forward over the workpiece surface, keeping it flat and advancing smoothly until the sawing is complete.

At the end of the cut, release on/off switch and wait until the saw blade comes to a complete stop before pulling the saw head up (it will retract to the starting position, and the plunging mechanism becomes locked again).

Note: If the cut did not properly follow your intended cut line, DO NOT attempt to push the saw back to the intended cut line. Doing so may bind the blade and lead to dangerous kickback and possible serious injury. Release on/off

switch, wait for blade to come to a complete stop and then withdraw saw. Realign saw on new cut line, turn tool on and wait for blade come to full speed and then start to cut again.

► Working Advice

Protect saw blades against impact and shock.

Guide the machine evenly and with light feed in the cutting direction.

Excessive feed significantly reduces the service life of the saw blade and can cause damage to the saw.

Sawing performance and cutting quality depend essentially on the condition and the tooth profile of the saw blade. Therefore, use only sharp saw blades that are suited for the material to be cut.

▼ SAWING WOOD

The correct selection of the saw blade depends on the type and quality of the wood and whether lengthway or crossway cuts are required.

When cutting spruce lengthways, long spiral chips are formed.

Beech and oak dusts are especially detrimental to health. Therefore, work only with dust extraction.

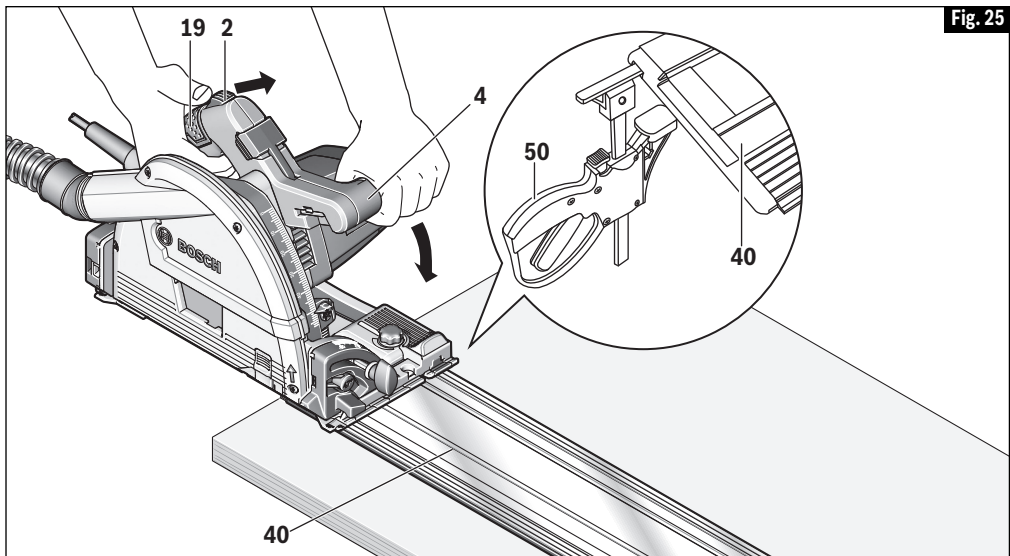


Fig. 25

Operating Instructions

▼ SAWING OTHER MATERIALS

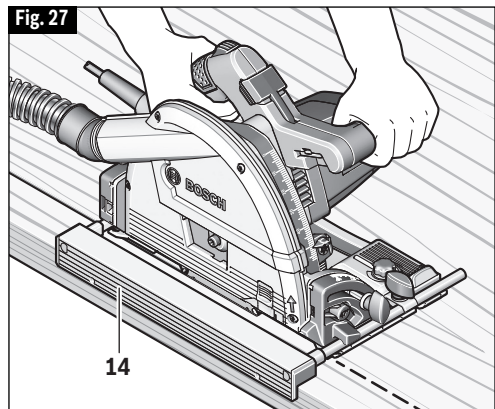
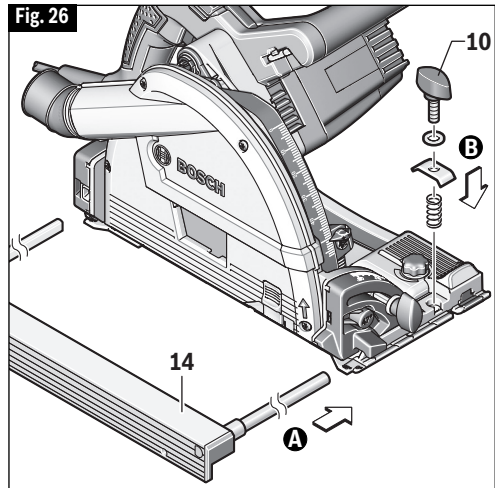
The instructions for cutting wood can also be used for cutting structurally stable plastic materials. When cutting plastic materials, always make a test cut to see if the saw causes the material to melt. If necessary, adjust the cutting speed and/or feed rate as necessary to minimize melting.

This saw is not designed to cut metal or masonry.

► Precision Sawing With Track

The GKT13-225 is designed specifically for precision straight cutting while using a track for guidance (Fig. 25).

- Make sure that track **40** is prepared, positioned and clamped as shown in “Preparing Track” section on page 12.
- Make sure that the saw’s footplate is properly placed on track.
- Take extra care when placing saw on portion of a track that extends beyond the leading or ending edge of the workpiece.
- When starting a cut in from the leading edges of the workpiece, following instructions in “Plunge Cuts” section below.
- Prior to removing saw from track, raise saw head and retract blade first and allow blade to come to a complete stop.



► Sawing with Rip Fence

The rip fence **14** (sold separately) enables exact cuts along a workpiece edge and cutting strips of the same dimension.

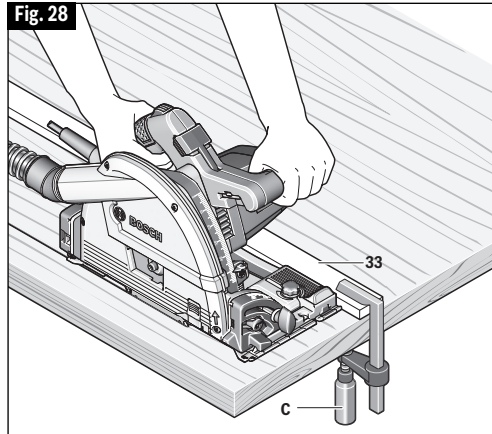
- A. Slide the guide rods of rip fence **14** through the guides in footplate **7**.
- B. Mount the wing bolt assemblies **10** on both ends as shown, but do not tighten the wing bolt yet (Fig. 26).
- C. Adjust the desired cutting width as the scale value at the respective line guides **32** or **33**, see section “Cutting Line Guides”.
- D. Tighten the wing bolts **10**.

Operating Instructions

▶ Sawing with Straight Edge Guide

For sawing large workpieces or straight edges, a board or strip can be secured with clamp **C** (sold separately) to the workpiece as a straight edge guide. The footplate of the circular saw can be guided alongside the straight edge guide **33** (Fig. 28).

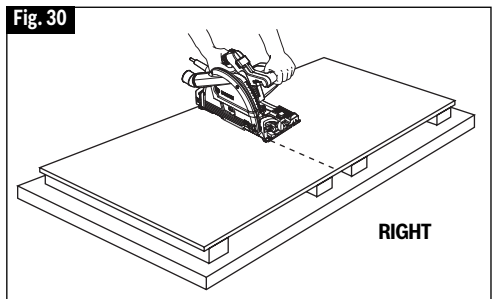
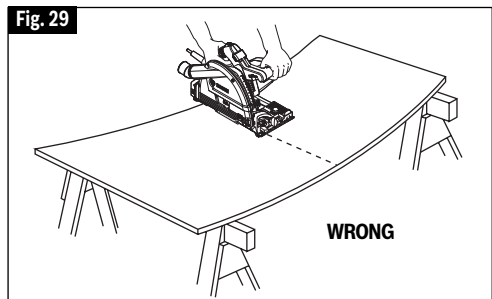
- The straight edge guide should be positioned such that the motor side of the saw rides against it when cutting the desired line.
- The deeper the cut, the thinner the straight edge guide must be, because the clearance below the motor along the motor side of the base is very limited.
- Ensure that the clamps do not interfere with free movement of the saw.



▶ Cutting Large Sheets

Large sheets and long boards sag or bend, depending on support. If you attempt to cut without leveling and properly supporting the piece, the blade will tend to bind, causing KICK-BACK and extra load on the motor (Fig. 29).

Whether or not a track is being used to make the cut, support the panel or board close to the cut, as shown in Fig. 30. Be sure to set the depth of the cut so that you cut through the sheet or board only and not the table or work bench. The two-by-fours used to raise and support the work should be positioned so that the broadest sides support the work and rest on the table or bench. Do not support the work with the narrow sides as this is an unsteady arrangement. If the sheet or board to be cut is too large for a table or work bench, use the supporting two-by-fours on the floor and secure.



Operating Instructions

► Plunge Cuts

⚠ WARNING Do not perform plunge cut without using track. Plunge cuts without track increase the risk of injury.

Install track to workpiece to be cut (See “Securing Tracks” section for details).

Place the saw on the track **40** at the desired plunge position. Install travel stop **52** (sold separately) on the track with it against the rear edge of the saw footplate (Fig 31, **A**). As an alternate solution to using the travel stop, fabricate a fixed stop or equivalent that is clamped on the track (Fig 31, **B**).

Pull the clear window **13** down until it touches the workpiece. Cut limit marks **35** and **36** show the length of plunge cut when the depth of cut is set to

maximum.

Hold the saw firmly with both hands (one hand on the main handle **19** and the other on the auxiliary handle **4**).

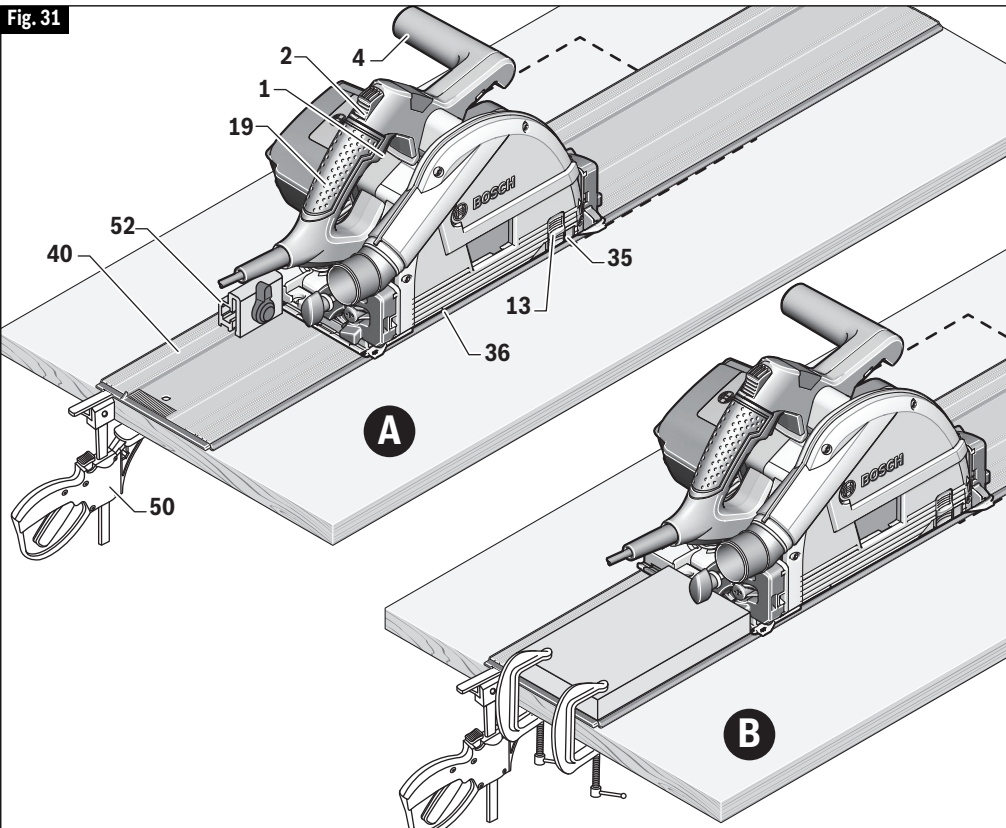
Push the lock-off button **2** and press the on/off switch **1** to turn the saw on.

Wait until the blade comes to full speed and press down the saw head slowly to the preset depth of cut.

Push the saw slowly forward, keeping the footplate flat against the track and advancing smoothly until the sawing is complete.

At the end of the plunge cut, release on/off switch and wait until the saw blade comes to a complete stop before pulling the saw head up (it will retract to the starting position, and the plunging mechanism becomes locked again).

Fig. 31



Maintenance

⚠ WARNING To avoid accidents always disconnect the tool from the power supply before cleaning or performing any maintenance.

⚠ WARNING Preventive maintenance performed by unauthorized personnel may result in misplacing of internal wires and components which could cause serious hazard. We recommend that all tool service be performed by a Bosch Factory Service Center or Authorized Bosch Service Station.

► Tool Lubrication

Your Bosch tool has been properly lubricated and is ready to use. It is recommended that tools with gears be regreased with a special gear lubricant at every brush change.

► Carbon Brushes

The brushes and commutator in your tool have been engineered for many hours of dependable service. To maintain peak efficiency of the motor, we recommend every two to six months the brushes be examined. Only genuine Bosch replacement brushes specially designed for your tool should be used.

► Bearings

Bearings which become noisy (due to heavy load or very abrasive material cutting) should be replaced at once to avoid overheating or motor failure.

► Cleaning

⚠ CAUTION Certain cleaning agents and solvents damage plastic parts. Some of these are: gasoline, carbon tetrachloride, chlorinated cleaning solvents, ammonia and household detergents that contain ammonia.

Ventilation openings and switch levers must be kept clean and free of foreign matter. Do not attempt to clean by inserting pointed objects through openings.

► Care of Blades

Blades become dull even from cutting regular lumber. If you find yourself forcing the saw forward to cut instead of just guiding it through the cut, chances are the blade is dull or coated with wood pitch.

When cleaning gum and wood pitch from blade, unplug the saw and remove the blade. Remember, blades are designed to cut, so handle carefully. Wipe the blade with kerosene or similar solvent to remove the gum and pitch. Unless you are experienced in sharpening blades, we recommend you do not try.

Extension Cords

⚠ WARNING If an extension cord is necessary, a cord with adequate size conductors that is capable of carrying the current necessary for your tool must be used. This will prevent excessive voltage drop, loss of power or overheating. Grounded tools must use 3-wire extension cords that have 3-prong plugs and receptacles.

NOTE: The smaller the gauge number, the higher the cord capacity.

RECOMMENDED SIZES OF EXTENSION CORDS
120 VOLT ALTERNATING CURRENT TOOLS

Tool's Ampere Rating	Cord Size in A.W.G.				Wire Sizes in mm ²							
	Cord Length in Feet								Cord Length in Meters			
	25	50	100	150	15	30	60	120				
3-6	18	16	16	14	0.75	0.75	1.5	2.5				
6-8	18	16	14	12	0.75	1.0	2.5	4.0				
8-10	18	16	14	12	0.75	1.0	2.5	4.0				
10-12	16	16	14	12	1.0	2.5	4.0	-				
12-16	14	12	-	-	-	-	-	-				

Attachments and Accessories

⚠ WARNING The use of any other attachments or accessories not specified in this manual may create a hazard.

Store accessories in a dry and temperate environment to avoid corrosion and deterioration.

Bosch No.	Description	Included	Sold Separately
Accessories			
PRO648TS	48-tooth blade for wood and wood composites	●	●
PRO624TS	24-tooth blade for wood and wood composites	–	●
Attachments			
FSN...	Tracks	–	●
FSNKK	Track Clamps	–	●
FSNVEL	Track Connector	–	●
FSNWAN	Track Miter Guide	–	●
FSNRS	Track Travel Stop	–	●
FSNSS	Anti-splinter Edge	–	●
FSNHB	Traction Strip	–	●
FSNBAG	Carry Bag	–	●
GKTPA	Rip Fence	–	●
VAC024	Vacuum hose adapter for 1-1/4" and 1-1/2" hoses	–	●
VX120	Vacuum hose adapter for Bosch VH-series Hoses	–	●





Troubleshooting

⚠ WARNING Read instruction manual first! Remove plug from the power source before making adjustments or assembling the blade.

PROBLEM	CAUSE	CORRECTIVE ACTION
Saw will not start	<ol style="list-style-type: none"> 1. Power cord is not plugged in. 2. Power source fuse or circuit breaker tripped. 3. Cord damaged. 4. Burned out switch. 5. Trigger does not turn tool on. 	<ol style="list-style-type: none"> 1. Plug saw in. 2. Replace fuse or reset tripped circuit breaker. 3. Inspect cord for damage. If damaged, have cord replaced by an Authorized Bosch Service Center or Service Station. 4. Have switch replaced by an Authorized Bosch Service Center or Service Station. 5. Disengage lock-off button 2 as described on page 19
Blade does not come up to speed	<ol style="list-style-type: none"> 1. Extension cord too light or too long. 2. Low house voltage. 	<ol style="list-style-type: none"> 1. Replace with adequate cord. 2. Contact your electric company.
Excessive vibration	<ol style="list-style-type: none"> 1. Blade out of balance. 2. Workpiece not clamped or supported properly. 	<ol style="list-style-type: none"> 1. Discard Blade and use different blade. 2. Clamp or support workpiece as shown on pages 20, 21, 22.
Cannot make square cut when crosscutting	<ol style="list-style-type: none"> 1. Foot plate not adjusted properly. 	<ol style="list-style-type: none"> 1. See "Operating Instructions" section, "Bevel Adjustment" (page 18), "Cutting Line Guides" (page 18), and "Cutting Large Sheets" (page 22).
Cut binds, burns, stalls motor when ripping	<ol style="list-style-type: none"> 1. Dull blade with improper tooth set. 2. Warped board. 3. Blade binds. 4. Improper workpiece support. 	<ol style="list-style-type: none"> 1. Discard blade and use a different blade. 2. Make sure concave or hollow side is facing "DOWN" feed slowly, see page 22. 3. Assemble blade and tighten Vari-Torque clutch per "Saw Assembly" instructions. See page 11. 4. Clamp or support workpiece as shown on pages 20, 21, 22.
Blade slipping	<ol style="list-style-type: none"> 1. Tool does not cut workpiece. 	<ol style="list-style-type: none"> 1. Assemble blade and tighten Vari-Torque clutch per "Saw Assembly" instructions. See page 11.

Symboles relatifs à la sécurité

Les définitions ci-dessous décrivent le niveau de gravité pour chaque terme signalant un danger. Veuillez lire le mode d'emploi et lire la signification de ces symboles.

	C'est le symbole d'alerte relatif à la sécurité. Il est utilisé pour vous avertir de l'existence possible d'un danger de lésion corporelle. Obéissez à tous les messages relatifs à la sécurité qui suivent ce symbole pour éviter tout risque de blessure ou même de mort.
	DANGER indique une situation dangereuse qui, si elle n'est pas évitée, causera la mort d'une personne ou une blessure grave.
	AVERTISSEMENT indique une situation dangereuse qui, si elle n'est pas évitée, pourrait causer la mort d'une personne ou une blessure grave.
	MISE EN GARDE indique une situation dangereuse qui, si elle n'est pas évitée, causera une blessure légère ou modérée.

Avertissements généraux concernant la sécurité des outils électroportatifs

AVERTISSEMENT Lisez toutes les consignes de sécurité, instructions, illustrations et spécifications fournies avec cet outil électrique. Le non-respect de toutes les instructions figurant ci-après pourrait causer un choc électrique, un incendie et/ou des blessures graves.

CONSERVEZ TOUS LES AVERTISSEMENTS ET TOUTES LES CONSIGNES DE SÉCURITÉ POUR RÉFÉRENCE FUTURE.

Dans les avertissements, le terme « outil électroportatif » se rapporte à votre outil branché sur le secteur (avec fil) ou à votre outil alimenté par piles (sans fil).

Sécurité du lieu de travail

Maintenez le lieu de travail propre et bien éclairé. Les risques d'accident sont plus élevés quand on travaille dans un endroit encombré ou sombre.

N'utilisez pas d'outils électroportatifs dans des atmosphères explosives, comme par exemple en présence de gaz, de poussières ou de liquides inflammables. Les outils électroportatifs produisent des étincelles qui risquent d'enflammer les poussières ou les vapeurs.

Éloignez les enfants et les visiteurs quand vous vous servez d'un outil électroportatif. Vous risquez une perte de contrôle si on vous distrait.

Sécurité électrique

Les fiches des outils électroportatifs

doivent correspondre à la prise. Il ne faut absolument jamais modifier la fiche. N'utilisez pas d'adaptateur de prise avec des outils électroportatifs munis d'une fiche de terre. Le risque de choc électrique est moindre si on utilise une fiche non modifiée sur une prise qui lui correspond.

Évitez tout contact du corps avec des surfaces reliées à la terre tels que tuyaux, radiateurs, gazinières ou réfrigérateurs. Le risque de choc électrique augmente si votre corps est relié à la terre.

N'exposez pas les outils électroportatifs à la pluie ou à l'humidité. Si de l'eau pénètre dans un outil électroportatif, le risque de choc électrique augmente.

Ne maltraitez pas le cordon. Ne vous en servez jamais pour transporter l'outil électroportatif, pour le tirer ou pour le débrancher. Éloignez le cordon de la chaleur, des huiles, des arêtes coupantes

Avertissements généraux concernant la sécurité des outils électroportatifs

ou des pièces mobiles. Les cordons abîmés ou emmêlés augmentent les risques de choc électrique.

Si vous utilisez un outil électroportatif à l'extérieur, employez une rallonge conçue pour l'extérieur. Ces rallonges sont faites pour l'extérieur et réduisent le risque de choc électrique.

S'il est absolument nécessaire d'utiliser l'outil électroportatif dans un endroit humide, utilisez une alimentation protégée par un disjoncteur de fuite de terre (GFCI). L'utilisation d'un disjoncteur GFCI réduit les risques de choc électrique.

Sécurité personnelle

Restez concentré, faites attention à ce que vous faites, et servez-vous de votre bon sens lorsque vous utilisez un outil électroportatif. N'employez pas d'outils électroportatifs quand vous êtes fatigué ou sous l'emprise de drogues, d'alcool ou de médicaments. Quand on utilise des outils électroportatifs, il suffit d'un moment d'inattention pour causer des blessures corporelles graves.

Utilisez des équipements de sécurité personnelle. Portez toujours une protection oculaire. Le port d'équipements de sécurité tels que des masques antipoussières, des chaussures de sécurité antidérapantes, des casques de chantier et des protecteurs d'oreilles dans des conditions appropriées réduira le risque de blessure corporelle.

Évitez les démarrages intempestifs. Assurez-vous que l'interrupteur est dans la position arrêt (Off) avant de brancher l'outil dans une prise de courant et/ou un bloc-piles, de le ramasser ou de le transporter. Le transport d'un outil électroportatif avec le doigt sur la gâchette ou le branchement de cet outil quand l'interrupteur est en position de marche (ON) est une invite aux accidents.

Enlevez toutes les clés de réglage avant de mettre l'outil électroportatif en marche. Si on laisse une clé sur une pièce tournante de l'outil électroportatif, il y a un risque de blessure corporelle.

Ne vous penchez pas. Conservez toujours une bonne assise et un bon équilibre. Ceci vous permettra de mieux maîtriser l'outil électroportatif dans des situations inattendues.

Habillez-vous de manière appropriée. Ne portez pas de vêtements amples ou de bijoux. Attachez les cheveux longs. N'approchez pas les cheveux, les vêtements ou les gants des pièces en mouvement. Les vêtements amples, les bijoux ou les cheveux longs risquent d'être happés par les pièces en mouvement.

Si l'outil est muni de dispositifs permettant le raccordement d'un système d'aspiration et de collecte des poussières, assurez-vous que ces dispositifs sont raccordés et utilisés correctement. L'utilisation d'un dépoussiéreur peut réduire les dangers associés à l'accumulation de poussière.

Ne laissez pas la familiarité résultant de l'utilisation fréquente des outils vous inciter à devenir complaisant(e) et à ignorer les principes de sécurité des outils. Une action négligente pourrait causer des blessures graves en une fraction de seconde.

Utilisation et entretien des outils électroportatifs

Ne forcez pas sur l'outil électroportatif. Utilisez l'outil électroportatif qui convient à la tâche à effectuer. L'outil qui convient à la tâche fait un meilleur travail et est plus sûr à la vitesse pour lequel il a été conçu.

Ne vous servez pas de l'outil électroportatif si son interrupteur ne parvient pas à le mettre en marche ou à l'arrêter. Tout outil électroportatif qui ne peut pas être commandé par son interrupteur est dangereux et doit être réparé.

Débranchez la fiche de la prise secteur et/ou retirez le bloc-piles de l'outil électrique (s'il est amovible) avant d'y apporter de quelconques modifications, de changer d'accessoire ou de ranger l'outil électrique. De telles mesures de sécurité préventive réduisent le risque de démarrage intempestif de l'outil électroportatif.

Avertissements généraux concernant la sécurité des outils électroportatifs

Rangez les outils électroportatifs dont vous ne vous servez pas hors de portée des enfants et ne permettez pas à des personnes qui ne connaissent pas l'outil électroportatif ou qui ignorent ces consignes de s'en servir. Les outils électroportatifs sont dangereux dans les mains d'utilisateurs inexpérimentés.

Entretenez de façon appropriée les outils électriques et les accessoires. Vérifiez que les pièces mobiles sont alignées correctement et ne coincent pas. Vérifiez qu'il n'y a pas de pièces cassées ou d'autre circonstance qui risquent d'affecter le fonctionnement de l'outil électroportatif. Si l'outil est abîmé, faites-le réparer avant de l'utiliser. De nombreux accidents sont causés par des outils électroportatifs mal entretenus.

Maintenez les outils coupants affûtés et propres. Les outils coupants entretenus correctement et dotés de bords tranchants affûtés sont moins susceptibles de coincer et sont plus faciles à maîtriser.

Utilisez l'outil électroportatif, les accessoires et les embouts d'outil, etc. conformément à ces instructions, en tenant compte des conditions de travail et des travaux à réaliser. L'emploi d'outils électroportatifs pour des tâches différentes de celles pour lesquelles ils ont été prévus peut résulter en une situation dangereuse.

Gardez les poignées et les surfaces de préhension propres, sèches et exemptes de toute trace d'huile ou de graisse. Les poignées et les surfaces de préhension glissantes ne permettent pas une manipulation et un contrôle sûrs de l'outil dans des situations inattendues.

Entretien

Faites réparer votre outil électroportatif par un agent de service qualifié n'utilisant que des pièces de rechange identiques. Ceci assure que la sécurité de l'outil électroportatif est préservée.

Consignes de sécurité pour scies circulaires

▲ DANGER **Tenez les mains à l'écart de l'aire de coupe et de la lame. Gardez votre deuxième main sur la poignée auxiliaire ou le carter du moteur.** Quand les mains tiennent la scie, elles ne peuvent pas être coupées par la lame.

N'introduisez pas la main sous la pièce à travailler. Le garde ne peut pas vous protéger de la lame sous la pièce à travailler.

Ajustez la profondeur de coupe en fonction de l'épaisseur de la pièce à travailler. Il doit seulement être possible de voir moins d'une dent complète des dents de la lame au-dessous de la pièce à travailler.

Ne tenez jamais la pièce à couper dans vos mains ou sur vos jambes. Fixez la pièce à travailler sur une plateforme stable. Il importe de supporter l'ouvrage adéquatement afin de minimiser l'exposition corporelle, le grippage de lame ou la perte de contrôle.

Tenez l'outil électroportatif par les surfaces isolées de préhension quand vous effectuez une opération au cours de laquelle l'outil de coupe peut venir en contact avec des fils dissimulés ou son propre cordon. Le contact avec un fil sous tension rendra également les parties métalliques exposées de l'outil sous tension et de causer un choc électrique à l'opérateur.

Lors d'une coupe en long, utilisez toujours un dispositif de suivi, un guide de refente ou un guide à bord droit. Ceci améliore l'exactitude de la coupe et réduit les possibilités de grippage de la lame.

Utilisez toujours des lames avec trous d'arbre de la dimension et de la forme appropriées (en diamant par rapport à rondes). Les lames qui ne se marient pas avec le système de montage de la scie ne tourneront pas rond. Il en résultera une perte de contrôle.

N'utilisez jamais des rondelles ou boulon de lame abîmés ou incorrects. Les

Consignes de sécurité pour scies circulaires

rondelles et le boulon de lame ont été conçus spécialement pour votre scie, pour une performance optimale et pour un fonctionnement des plus sûrs.

Inspectez la condition et la qualité du bois et si vous trouvez des clous, retirez-les avant de couper. Le bois mouillé, le bois vert ou le bois traité par pression nécessitent une attention spéciale durant la coupe pour prévenir le rebond.

Tenez la scie fermement pour prévenir une perte de contrôle. Les figures de ce manuel illustrent le support manuel typique de la scie.

Suivant l'usage, l'interrupteur peut ne pas durer aussi longtemps que la scie. Si l'interrupteur fait défaut en position d'arrêt, la scie peut ne pas se mettre en marche. S'il devient défectueux pendant que la scie est en marche, la scie peut ne pas s'arrêter. Dans l'un ou l'autre cas, débranchez la scie immédiatement et ne l'utilisez pas avant qu'elle ne soit réparée.

Cette scie circulaire ne doit pas être montée sur une table et convertie en scie de table. Les scies circulaires ne sont pas conçues ni destinées à être utilisées comme scies de table.

Causes des rebonds et avertissements associés

Le rebond est une réaction soudaine à une lame de scie pincée, coincée ou mal alignée, provoquant le soulèvement et le retrait d'une scie qui n'est plus contrôlée depuis l'ouvrage vers l'opérateur.

Lorsque la lame est pincée ou coincée étroitement dans l'entaille créée par le trait de scie, la lame cale et la réaction du moteur ramène rapidement l'instrument vers l'opérateur.

Si la lame devient tordue ou mal alignée dans la coupe, les dents du bord arrière de la lame peuvent s'enfoncer dans la surface supérieure du bois, amenant ainsi la lame à sortir du trait de scie et à revenir vers l'opérateur.

Le rebond est la conséquence d'une utilisation incorrecte de la scie et/ou de conditions inappropriées ou de procédures opérationnelles incorrectes ; il peut être évité en prenant des précautions

appropriées, comme indiqué ci-dessous :

Maintenez une prise ferme avec les deux mains sur la scie et positionnez vos bras de manière à résister aux forces de rebond. Positionnez votre corps d'un côté ou de l'autre de la lame, mais pas dans la trajectoire de la lame. Le rebond peut faire que la lame saute en arrière, mais l'opérateur peut contrôler les forces de rebond en prenant les précautions appropriées.

Lorsque la lame grippe ou lorsqu'une coupe est interrompue pour quelque motif que ce soit, relâchez la gâchette et tenez la scie sans bouger dans l'ouvrage jusqu'à ce que la lame s'arrête complètement. Ne tentez jamais de retirer la scie de l'ouvrage ou de tirer la scie vers l'arrière pendant que la lame est en mouvement, ce qui pourrait provoquer un rebond. Recherchez la cause du grippage de lame et prenez les mesures nécessaires pour le corriger.

Lorsque vous remettez une scie en marche dont la lame est engagée dans un ouvrage, centrez la lame de la scie sur le trait de coupe de manière que les dents de la scie ne soient pas engagées dans le matériau. Si la lame de la scie se coince, cela risquerait de causer un effet de rebond depuis l'ouvrage ou la scie risquerait de sortir de celui-ci lorsque la scie sera remise en marche.

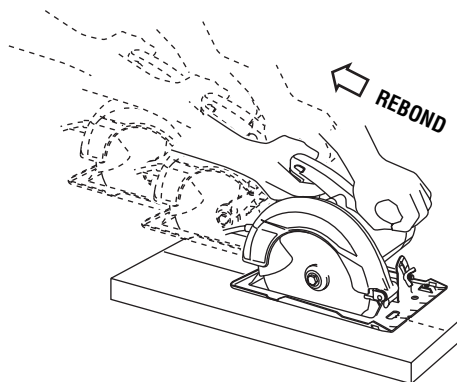
Supportez les gros panneaux pour minimiser le risque de pincement de lame et de rebond. Les gros panneaux ont tendance à s'affaisser sous leur propre poids. Des supports doivent être placés sous le panneau des deux côtés, près de la ligne de coupe et près du bord du panneau.

N'utilisez pas une lame émoussée ou abîmée. Les lames non affûtées ou réglées de façon inappropriée produisent un trait de scie étroit, ce qui cause une friction excessive, un grippage de lame et un rebond.

Les leviers de réglage de la profondeur de coupe de la lame et de réglage du biseau doivent être bien serrés et sécurisés avant que l'opérateur ne commence à couper. Un déplacement du réglage de lame durant la coupe peut causer un grippage et un rebond.

Redoubler de prudence en pratiquant une

Consignes de sécurité pour scies circulaires



opérations de sciage dans des murs existants ou autres parties aveugles. La lame faisant saillie peut couper des objets qui peuvent causer un rebond.

Les rondelles de lame et le boulon sur votre scie ont été conçus de manière à travailler comme un embrayage pour réduire l'intensité des rebonds. Comprenez le fonctionnement et les réglages de l'EMBRAYAGE À COUPLE VARIABLE. Le réglage approprié de l'embrayage, combiné au maniement ferme de la scie, vous permettra de contrôler le rebond.

Ne placez jamais votre main derrière la lame de la scie. Le rebond pourrait faire sauter la scie vers l'arrière par-dessus votre main.

N'utilisez pas la scie avec un réglage excessif de profondeur de coupe. Une exposition excessive de la lame accroît la possibilité de torsion de la lame dans le trait de scie. Elle accroît également la surface de lame pouvant être pincée, ce qui entraînerait un rebond.

Fonctionnement du dispositif de protection

Inspectez le dispositif de protection de la lame pour vous assurer qu'il se ferme complètement avant chaque utilisation. N'utilisez pas l'outil si le dispositif de protection de la lame ne se déplace pas librement et ne se ferme pas instantanément autour de la lame. N'utilisez jamais de brides de fixation et n'attachez pas le dispositif de fixation de

telle sorte que la lame soit exposée. Si la scie est tombée accidentellement, il se peut que le dispositif de fixation soit tordu. Vérifiez que le dispositif de protection bouge librement et ne touche pas la lame ou toute autre partie de la scie, dans tous les angles et à toutes les profondeurs de coupe.

Vérifiez le fonctionnement et l'état du ressort de retour du dispositif de protection. Si le dispositif de protection et le ressort ne fonctionnent pas correctement, il faut les réparer avant de recommencer à utiliser la scie. Le dispositif de protection peut fonctionner lentement en raison de pièces endommagées, de dépôts gluants ou d'une accumulation de débris.

Assurez-vous que la plaque de base de la scie ne bouge pas pendant que vous effectuez une « coupe en plongée ». Un déplacement latéral de la lame causera le coincement de la scie et provoquera probablement un rebond.

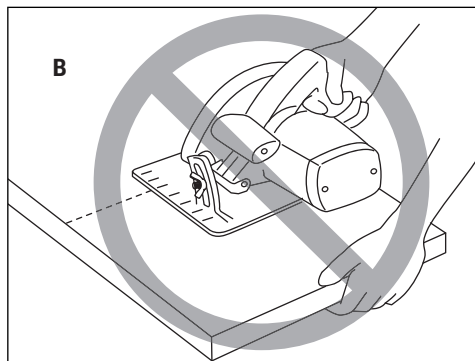
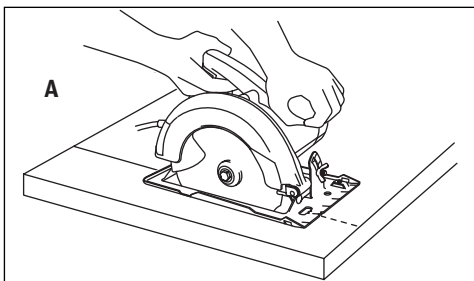
Observez toujours que le dispositif de protection recouvre la lame avant de poser la scie sur un banc ou sur le sol. Une lame en train de tourner librement sans protection causera un mouvement vers l'arrière de la scie, qui coupera tout ce qui est sur son chemin. Déterminez le temps nécessaire pour que la lame s'arrête après avoir actionné l'interrupteur, et tenez-en compte.

Ne laissez pas l'outil en marche pendant que vous le transportez à côté de vous. Le dispositif de protection pourrait être ouvert par un contact avec vos vêtements. Tout contact accidentel avec la lame de scie en rotation pourrait causer une blessure grave.

Nettoyez périodiquement le dispositif de protection et la zone du ressort du dispositif de protection à l'air comprimé. Une maintenance préventive et un dispositif de protection fonctionnant correctement réduiront les risques d'accidents.

Placez la partie la plus large de la plaque d'assise sur la partie de l'ouvrage qui est solidement soutenue, et non sur la section qui tombera lors de la coupe. À titre d'exemples, la Fig. A illustre la façon CORRECTE de couper l'extrémité d'une planche, et la Fig. B, la façon INCORRECTE.

Consignes de sécurité pour scies circulaires



Si le matériau à couper est court ou petit, attachez-le avec des brides de fixation. **NE TENTEZ PAS DE TENIR DES MATÉRIAUX COURTS À LA MAIN !**

Avertissements supplémentaires concernant la sécurité

L'emploi d'un GFCI et de dispositifs de protection personnelle tels que gants et chaussures d'électricien en caoutchouc améliorent votre sécurité personnelle.

N'utilisez pas un outil conçu uniquement pour le C.A. sur une alimentation en C.C. Même si l'outil semble fonctionner, les composants électriques d'un outil prévu pour le C.A. tomberont probablement en panne et risquent de créer un danger pour l'utilisateur.

Maintenez les poignées sèches et exemptes d'huile et de graisse. On ne pas maîtriser un outil électroportatif en toute sécurité quand on a les mains glissantes.

Utilisez des brides ou d'autres moyens pratiques de brider ou de supporter la pièce sur une plate-forme stable. Tenir la pièce à la main ou contre le corps est instable et risque de résulter en une perte de contrôle.

Créez un agenda d'entretien périodique pour votre outil. Quand vous nettoyez un outil, faites attention de n'en démonter aucune pièce car il est toujours possible de mal remonter ou de pincer les fils internes ou de remonter incorrectement les ressorts de rappel des capots de protection. Certains agents de nettoyage tels que l'essence, le tétrachlorure de carbone, l'ammoniaque, etc. risquent

d'abîmer les plastiques.

Risque de blessure pour l'utilisateur. Le cordon d'alimentation électrique ne doit être réparé que par un Centre de service usine de Bosch ou par une Station service agréée de Bosch.





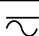

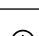
⚠ AVERTISSEMENT Les travaux à la machine tel que ponçage, sciage, meulage, perçage et autres travaux du bâtiment peuvent créer des poussières contenant des produits chimiques qui sont des causes reconnues de cancer, de malformation congénitale ou d'autres problèmes reproductifs. Ces produits chimiques sont, par exemple :

- Le plomb provenant des peintures à base de plomb,
- Les cristaux de silices provenant des briques et du ciment et d'autres produits de maçonnerie, et
- L'arsenic et le chrome provenant des bois traités chimiquement.

Le niveau de risque dû à cette exposition varie avec la fréquence de ces types de travaux. Pour réduire l'exposition à ces produits chimiques, il faut travailler dans un lieu bien ventilé et porter un équipement de sécurité approprié tel que certains masques à poussière conçus spécialement pour filtrer les particules microscopiques.

Symboles

Important : Certains des symboles suivants peuvent être utilisés sur votre outil. Veuillez les étudier et apprendre leur signification. Une interprétation appropriée de ces symboles vous permettra d'utiliser l'outil de façon plus efficace et plus sûre.

Symbole	Désignation/Explication
V	Volts (voltage)
A	Ampères (courant)
Hz	Hertz (fréquence, cycles par seconde)
W	Watt (puissance)
kg	Kilograms (poids)
min	Minutes (temps)
s	Seconds (temps)
∅	Diamètre (taille des mèches de perceuse, meules, etc.)
n_0	Vitesse à vide (vitesse de rotation, à vide)
n	Vitesse nominale (vitesse maximum pouvant être atteinte)
.../min	Tours ou mouvement alternatif par minute (tours, coups, vitesse en surface, orbites, etc., par minute)
0	Position d'arrêt (vitesse zéro, couple zéro ...)
1, 2, 3, ... I, II, III,	Réglages du sélecteur (Réglages de vitesse, de couple ou de position. Un nombre plus élevé signifie une vitesse plus grande)
	Sélecteur variable à l'infini avec arrêt (La vitesse augmente depuis le réglage 0)
	Flèche (action dans la direction de la flèche)
	Courant alternatif (type ou caractéristique du courant)
	Courant continu (type ou caractéristique du courant)
	Courant alternatif ou continu (type ou caractéristique du courant)
	Construction classe II (désigne des outils construits avec double isolation)
	Borne de terre (borne de mise à la terre)

Symboles

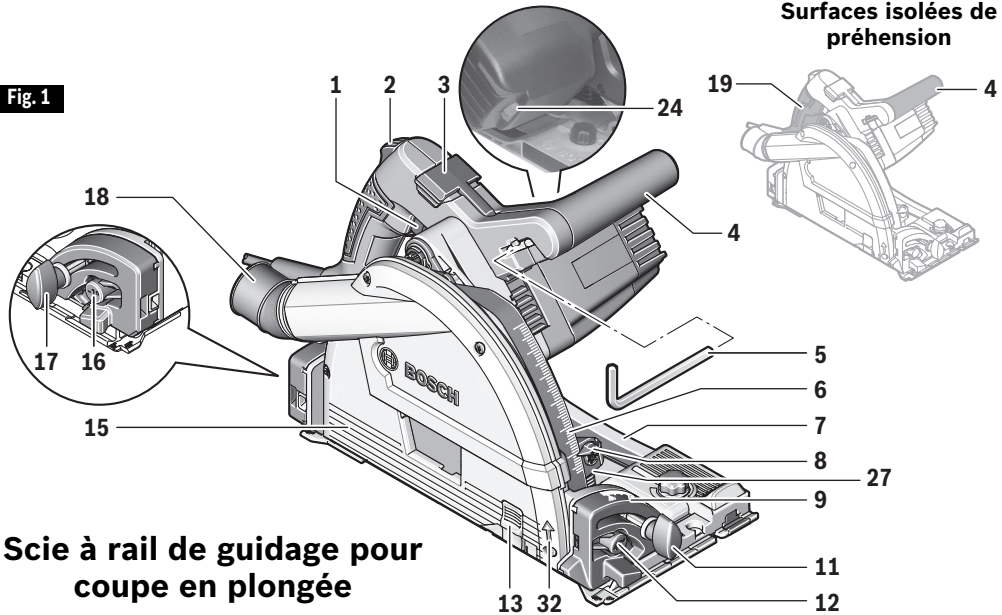
Important : Certains des symboles suivants peuvent être utilisés sur votre outil. Veuillez les étudier et apprendre leur signification. Une interprétation appropriée de ces symboles vous permettra d'utiliser l'outil de façon plus efficace et plus sûre.

Symbole	Désignation / Explication
	Désigne le programme de recyclage des piles Li-ion.
	Désigne le programme de recyclage des piles Ni-Cad.
	Alerte l'utilisateur pour lire le mode d'emploi
	Alerte l'utilisateur pour porter des lunettes de sécurité
	Ce symbole signifie que cet outil est approuvé par Underwriters Laboratories.
	Ce symbole indique que ce composant est reconnu par Underwriters Laboratories.
	Ce symbole signifie que cet outil est approuvé par Underwriters Laboratories selon les normes des États-Unis et du Canada.
	Ce symbole signifie que cet outil est approuvé par l'Association canadienne de normalisation.
	Ce symbole signifie que cet outil est approuvé par l'Association canadienne de normalisation selon les normes des États-Unis et du Canada.
	Ce symbole signifie que cet outil est approuvé par Intertek Testing Services selon les normes des États-Unis et du Canada
	Ce symbole signifie que cet outil se conforme aux normes mexicaines NOM.

Familiarisez-vous avec votre scie

AVERTISSEMENT Débranchez la fiche de la prise de courant avant d'effectuer quelque assemblage ou réglage que ce soit ou de changer les accessoires. Ces mesures de sécurité préventive réduisent le risque d'une mise en marche accidentelle de l'outil.

Fig. 1



Scie à rail de guidage pour coupe en plongée

- | | |
|---|---|
| 1 Interrupteur marche/arrêt | 16 Bouton pour l'angle de biseau de -1° |
| 2 Bouton de verrouillage en position désactivée (pour l'interrupteur de marche/arrêt) | 17 Bouton de verrouillage du biseau, arrière |
| 3 Levier de verrouillage de la profondeur | 18 Orifice de dépoussiérage pivotant |
| 4 Poignée auxiliaire (surface de préhension isolée) | 19 Poignée (surface de préhension isolée) |
| 5 Clé hexagonale | 20 Goujon de fixation de la lame* |
| 6 Échelle de profondeur de coupe | 21 Rondelle extérieure* |
| 7 Plaque d'assise (plaque de base) | 22 Lame de la scie** |
| 8 Indicateur de profondeur de coupe | 23 Rondelle intérieure* |
| 9 Échelle d'angles de biseau | 24 Cadran de réglage de la vitesse |
| 10 Boulon à oreilles pour le guide de refente** | 25 Bouton de verrouillage de l'arbre* |
| 11 Bouton de réglage du biseau, avant | 26 Arbre de la lame* |
| 12 Bouton pour l'angle de biseau de 47° | 27 Commande coulissante de la butée de profondeur |
| 13 Fenêtre d'observation | 28 Guide de trait de coupe 0° * |
| 14 Guide de refente** | 29 Guide de trait de coupe 45° * |
| 15 Dispositif de protection de la lame | 30 Pièce rapportée en plastique* |
| | 31 Bouton d'alignement moletés* |
| | 32 Flèche de sens de rotation |
| | 33 Guide à bord droit* |

Familiarisez-vous avec votre scie

- 34** Tuyau flexible d'aspiration* **
35 Repère de limite de coupe avant*
36 Repère de limite de coupe arrière*

- * Non illustré. Voir ci-dessous pour consulter le mode d'emploi.
 ** Vendu séparément

Spécifications

Numéro de modèle	GKT13-225
Lame	6-1/2 po (165mm)
Moyeu de lame	20mm rond
Épaisseur des dents	0.1 po (2.6mm)* *minimum 0.07" (1.8mm)
Épaisseur de la lame	0.07 po (1.8mm) Maximum
Profondeur de coupe à 90°	2-1/4 po (57mm) Maximum
Profondeur de coupe à 45°	1.65 po (42mm) Maximum
Profondeur de coupe à 47°	1.6 po (40.8mm) Maximum

REMARQUE : Pour spécifications de l'outil, reportez-vous à la plaque signalétique de votre outil.

Certifiée conforme à

CAN/CSA C22.2 N° 62841-2-5-16

UL 62841-2-5 (Éd. 1)

conjointement avec

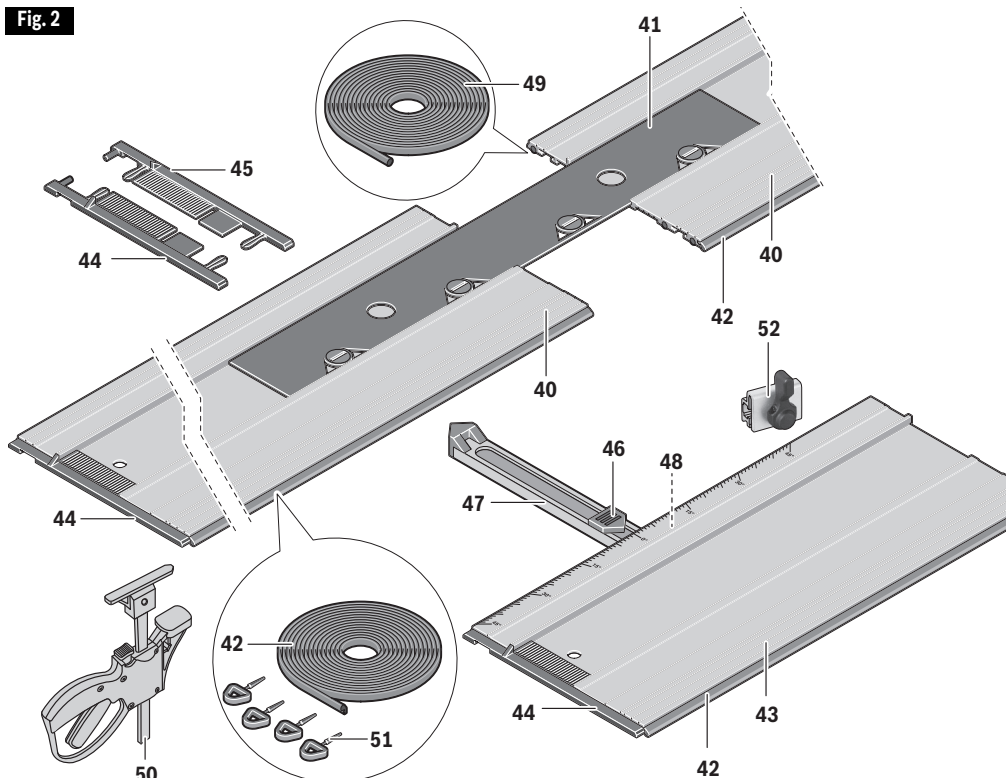
CAN/CSA C22.2 N° 62841-1-15

UL 62841-1 (Éd. 1)

Y compris évaluation initiale en usine de conformité aux normes de la CSA

Familiarisez-vous avec votre scie à rail de guidage

Fig. 2



- | | |
|---------------------------------|---|
| 40 Rail | 47 Guide |
| 41 Connecteur de rail | 48 Bouton de verrouillage de l'angle d'onglet |
| 42 Bord anti-éclats | 49 Bande de traction |
| 43 Guide d'onglet | 50 Brides de fixation du rail (x2) |
| 44 Capuchon d'extrémité, gauche | 51 Pointes |
| 45 Capuchon d'extrémité, droit | 52 Butée d'arrêt de déplacement |
| 46 Indicateur d'angle d'onglet | |

Montage de la scie

► Remplacement de la lame

⚠ AVERTISSEMENT Débranchez la fiche de la prise de courant avant d'effectuer quelque assemblage ou réglage que ce soit ou de changer les accessoires. Ces mesures de sécurité préventive réduisent le risque d'une mise en marche accidentelle de l'outil.

⚠ AVERTISSEMENT N'utilisez que des lames de 16,5 cm (6-1/2 po) ayant une vitesse de rotation nominale de 3 250 tr/min ou plus. N'utilisez pas de meules abrasives. L'utilisation d'une lame non conçue pour cette scie pourrait causer de graves blessures et des dommages matériels.

Montage de la scie

La clé hexagonale **5** est rangée dans la poignée auxiliaire (Fig. 1).

▼ RETRAIT DE LA LAME

- A. Comprimez la commande coulissante de la butée de profondeur **27** et déplacez-la au maximum vers le bas (Fig. 1) Pour changer la lame, il est recommandé de placer la scie sur le côté du boîtier du moteur (Fig. 3).
- B. Pivotez le levier **3** vers l'avant (Fig. 3).
- C. Poussez le bouton de verrouillage en position désactivée **2** vers l'avant et enfoncez la scie vers la plaque d'assise **7** jusqu'à ce qu'elle s'enclenche en émettant un déclic dans la position de changement de lame (le goujon de fixation de la lame **20** ou l'arbre de lame **26** est accessible par la fenêtre du dispositif de protection de la lame **15**).
- D. Appuyez sur le bouton de verrouillage de l'arbre **25**.

Remarque : Le bouton de verrouillage de l'arbre **25** ne peut être actionné que lorsque la scie est à l'arrêt. Sans cela, la scie risquerait d'être endommagée.

- E. Utilisez la clé hexagonale **5** pour desserrer le goujon de fixation de la lame **20** en le faisant tourner dans le sens **b** (sens contraire des aiguilles d'une montre).
- F. Retirez la rondelle extérieure **21** et la lame de la scie **22** de l'arbre de la scie **26**.

▼ FIXATION DE LA LAME

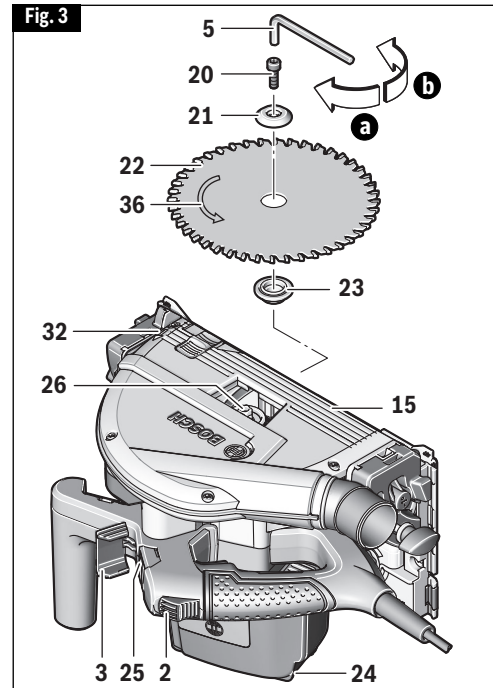
- G. Assurez-vous que la lame de scie de rechange **22** et les rondelles **21** et **23** sont propres. Placez la lame de scie **22** sur la rondelle intérieure **23**. Assurez-vous que les dents de la lame de scie et la flèche **36** sur la lame soient orientées dans le même sens que la flèche **32** sur le dispositif de protection de la lame **15**.
- H. Montez la rondelle extérieure **21** et vissez le goujon de fixation de la lame **20** sur l'arbre de la lame **26** en tournant dans le sens **a** (sens des aiguilles d'une montre). Observez la position de montage correcte de la

bride de montage **23** et de la bride de fixation **21**.

- I. Appuyez sur le bouton de verrouillage de l'arbre **25** et maintenez-le enfoncé. Commencez par serrer à la main le goujon de fixation de la lame **20**, puis serrez le goujon de fixation de la lame **20** de 1/8 de tour (45°) en le faisant tourner dans le sens **a** (sens des aiguilles d'une montre) avec la clé hexagonale **5**.
- REMARQUE :** N'utilisez pas de clés avec des manches plus longs étant donné que cela risquerait de causer un serrage excessif du goujon de fixation de la lame.
- J. Pivotez le levier de verrouillage de la profondeur **3** vers l'arrière. Lorsque vous ferez ceci, la scie se rétractera jusqu'à sa position de départ.

▼ EMBRAYAGE « VARI-TORQUE »

L'embrayage est assuré par la friction de la rondelle extérieure **21** sur la lame **22** et il permet à l'arbre **26** de continuer à



Montage de la scie

tourner si la lame éprouve une résistance excessive. Si le goujon de la lame **20** est correctement serré (tel qu'il est expliqué à l'étape I du chapitre intitulé Montage de la lame), la lame glissera sur son arbre quand elle éprouve une résistance excessive, ce qui réduit le risque de rebond.

Il est possible qu'un seul et même réglage ne convienne pas à tous les matériaux. En cas de glissement exagéré de la lame, resserrez-en légèrement le goujon (moins de 1/8 de tour). LE SERRAGE EXCESSIF DU GOUJON DE LA LAME REND LE DISPOSITIF DE DÉBRAYAGE ABSOLUMENT INUTILE.

Montage des rails

▼ ADAPTATION DE LA PLAQUE D'ASSISE AUX DIVERS RAILS

Le modèle GKT13-225 est conçu spécifiquement pour effectuer des coupes droites précises tout en utilisant un rail de guidage.

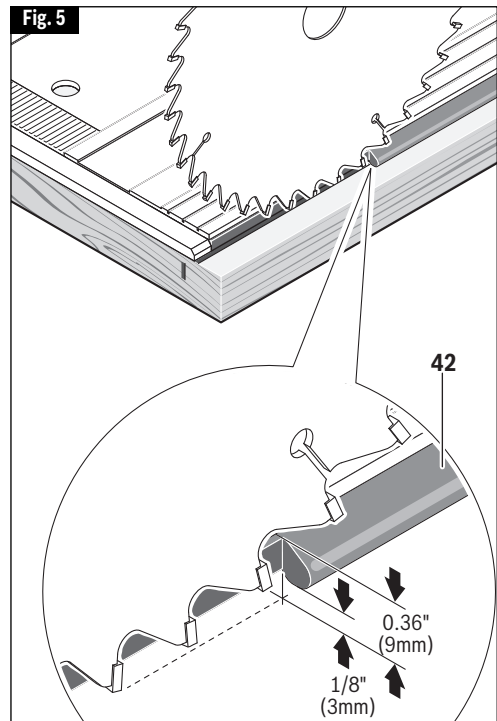
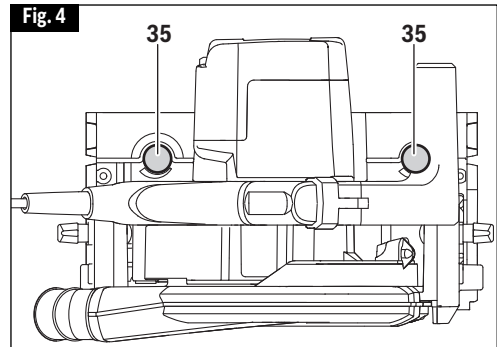
Les rails Bosch (vendus séparément) sont disponibles en cinq tailles :

FSN800	31.5" (800 mm)
FSN1100	43.3" (1100 mm)
FSN1600	63" (1600 mm)
FSN2100	82.7" (2100 mm)

▼ PRÉPARATION DES RAILS

Avant d'utiliser un rail pour la première fois, le bord anti-éclats en caoutchouc du rail **42** doit être adapté à la scie et à la lame spécifique à utiliser.

- Placez toute la longueur du rail sur un morceau de matériau à mettre au rebut ayant une épaisseur d'au moins 19 mm (3/4 po).
- Sécurisez les rails comme cela est décrit sous la rubrique « SÉCURISATION DES RAILS » ci-dessous.
- Placez la scie sur les rails et ajustez la précision du positionnement au moyen des deux boutons d'alignement moletés **35** (Fig. 4).
 - Faites tourner les boutons dans le sens des aiguilles d'une montre pour serrer le positionnement de la plaque d'assise de la scie sur le rail de guidage.
 - Faites tourner les boutons dans le sens contraire des aiguilles d'une montre pour desserrer le positionnement de la plaque d'assise



Montage des rails

de la scie sur le rail de guidage.

- D. Déplacez l'indicateur de profondeur de coupe **8** jusqu'à sa position la plus élevée possible (voir Fig. 21).
- E. Assurez-vous que l'indicateur de profondeur de coupe **8** est dans la position **b** (Fig. 21)
- F. Réglez la profondeur de coupe de la scie sur environ 9 mm / 0,36 po et l'angle de biseau sur 0°. Ceci aura pour effet que la lame s'étendra à 3 mm (1/8 po) en dessous du bord anti-éclats.
- G. En suivant les instructions de la section « MISE SOUS TENSION ET HORS TENSION » à la page 46, mettez la scie sous tension et guidez-la uniformément avec une vitesse d'avance lente jusqu'au bout du rail de guidage.

▼ SÉCURISATION DES RAILS

⚠ AVERTISSEMENT Pour éviter les risques de blessures et/ou de dommages matériels, utilisez uniquement les brides de fixation de rails pour sécuriser le rail.

Une fois que le rail aura été placé dans la position souhaitée, insérez une bride de fixation **50** dans chaque extrémité du rail, puis serrez les brides contre l'ouvrage (Fig. 6).

▼ CAPUCHONS D'EXTRÉMITÉ PROTECTEURS

Ces capuchons aident à protéger les extrémités des rails contre les dommages, comme quand on fait tomber les rails sur leurs extrémités. Les capuchons de gauche **44** et de droite **45** ne sont PAS interchangeables. Si l'un des capuchons d'extrémité ou les deux capuchons sont endommagés, ils doivent simplement être remplacés.

▼ RACCORDEMENT DE PLUSIEURS RAILS

- A. Tirez les capuchons d'extrémité **44** et **45** qui font face aux extrémités des rails **40** afin de les raccorder l'un à l'autre. Rangez les capuchons d'extrémité en lieu sûr (Fig. 7).

Fig. 6

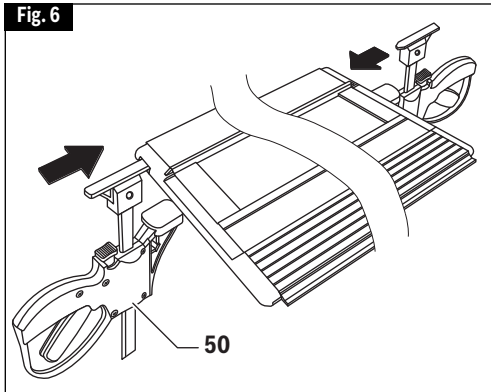


Fig. 7

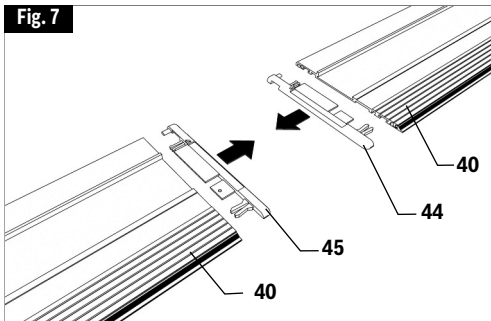


Fig. 8

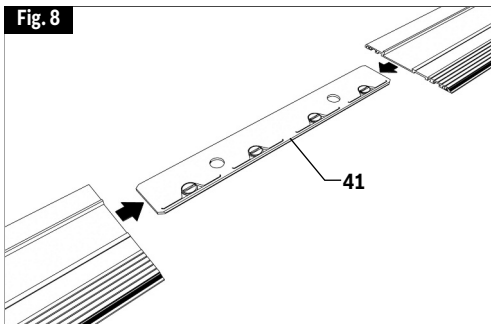
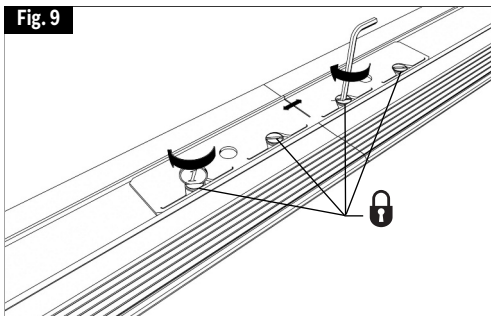


Fig. 9



Montage des rails

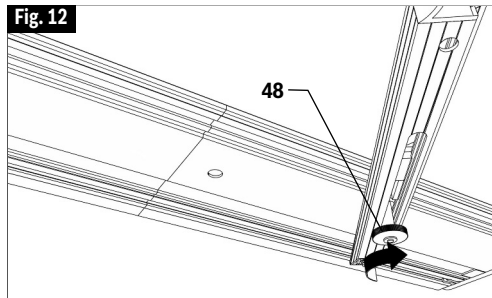
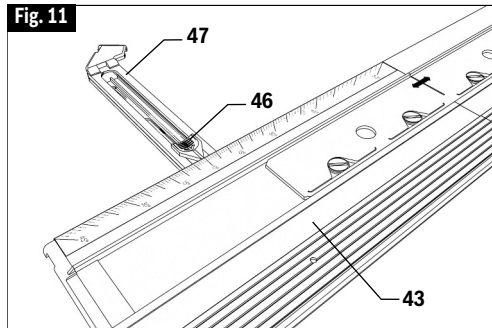
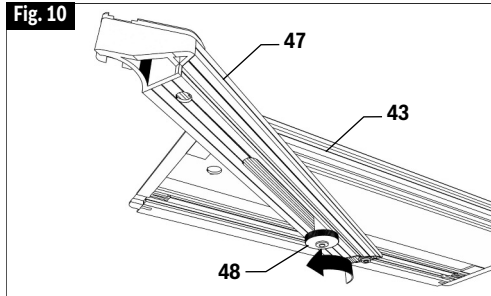
- B. Insérez le connecteur **41** dans l'un des rails **40** comme illustré, puis faites glisser un autre rail dans l'autre extrémité du connecteur (Fig. 8).
- C. Assurez-vous qu'il n'y a pas d'écart entre les rails. Déplacez le connecteur **41** de façon que le repère central « $\Leftarrow|\Rightarrow$ » soit positionné sur la ligne de raccordement. Tournez les quatre verrous avec un tournevis ou une pièce de monnaie pour sécuriser la connexion (Fig. 9).

▼ GUIDE D'ONGLET

Le guide d'onglet **43** vendu séparément peut être utilisé pour positionner un rail de façon précise entre 60° à gauche et 45° à droite.

Le guide d'onglet doit être positionné à l'extrémité avant du rail.

- A. Desserrez le bouton **48** au bas du guide d'onglet (Fig. 10).
- B. Suivez les instructions de la rubrique « Raccordement de plusieurs rails » pour attacher le guide d'onglet au rail désiré en utilisant le connecteur **41**.
- C. Utilisez le guide **47** pour fixer l'angle désiré. Lorsque le guide est déplacé, l'indicateur **46** montre l'angle (Fig. 11).
- D. Une fois que l'angle désiré aura été fixé, serrez le bouton **48** au bas du guide d'onglet pour le maintenir à cet angle (Fig. 12).
- E. Positionnez le guide et le rail connecté de telle façon que le guide repose contre l'ouvrage.
- F. Une fois que le guide d'onglet et le rail connecté auront été positionnés comme souhaité, sécurisez le guide d'onglet et le rail connecté en place (reportez-vous à la rubrique « Sécurisation des rails »).

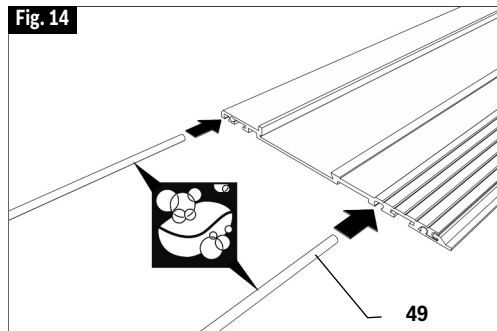
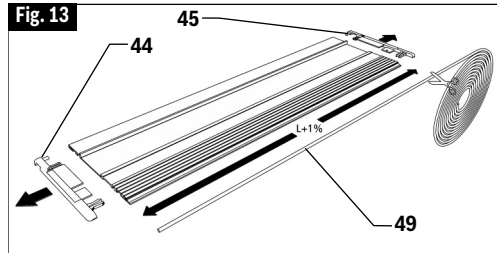


▼ BANDES DE TRACTION

Il est important que les deux bandes ressemblant à du caoutchouc situées au bas des rails conservent leur capacité à minimiser le risque que le rail se déplace pendant une coupe. Si une bande ou les deux bandes deviennent usées, il faut les remplacer. Le rouleau de bande de traction mesure 3,35 m / 11 pi de long.

Montage des rails

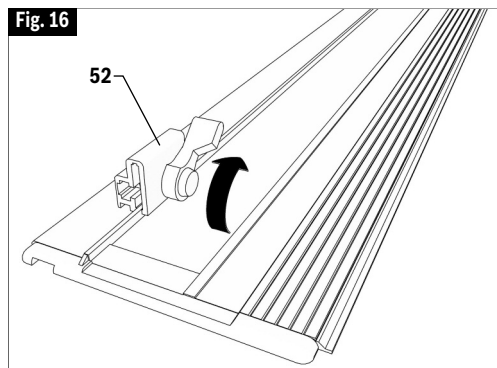
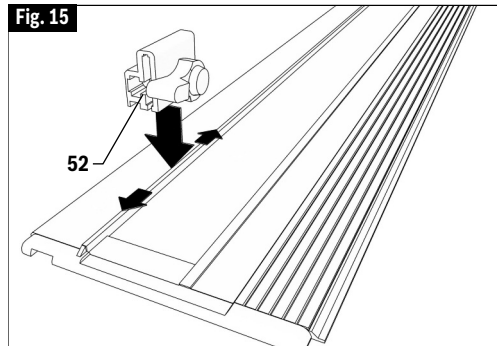
- Tirez sur les deux capuchons d'extrémité **44** et **45** pour les faire sortir, puis retirez les bandes usées (Fig. 13).
- Déroulez et coupez deux longueurs de bande de traction **49** qui sont plus longues de 1 % que la longueur du rail. P. ex., pour le modèle FSN800, la longueur de la bande devrait être de 80,8 cm / 31,8 po (Fig. 13).
- Placez une légère couche de savon sur la nouvelle bande pour faciliter son glissement dans les rainures sur la partie inférieure des rails. Tirez la bande à travers la rainure jusqu'à l'extrémité du rail. Coupez la longueur excédentaire de bande (Fig. 14).
- Réinsérez les deux capuchons d'extrémité **44** et **45**.



▼ BUTÉE DE FIN DE COURSE POUR LE RAIL

La butée de fin de course **52** (vendue séparément) peut être utilisée pour limiter la plage de déplacement de la scie (distance de coupe) sur un rail. La butée peut être utilisée pour aider à fixer le point de départ d'une coupe en plongée ou le point final de la coupe.

- Alignez le rail le long de la ligne de coupe et fixez-le en place tel que cela est décrit sous la rubrique « Sécurisation des rails » à la page 40.
- Orientez la butée sur le rail comme illustré (Fig. 15).
- Déterminez le point de départ ou le point final désiré pour la coupe.
- Positionnez la scie de telle sorte qu'elle repose dans la position dans laquelle la coupe en plongée est censée commencer ou finir.
- Une fois que la scie aura été placée à l'endroit désiré, serrez la butée **52** en place au moyen de son levier (Fig. 16).



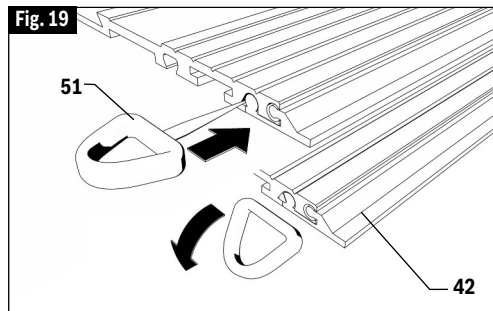
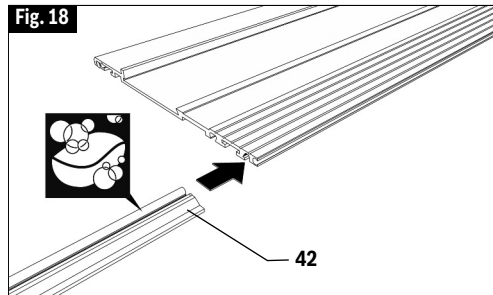
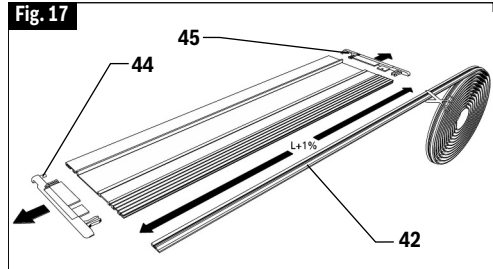
Déplacez la scie vers l'avant pour continuer la coupe jusqu'au point final désiré. Lorsque le point final désiré est atteint, tirez la tête de la scie vers le haut, celle-ci se rétractera jusqu'à la position de départ et le mécanisme plongeant se verrouillera à nouveau.

Montage des rails

▼ BORD ANTI-ÉCLATS

Pour réduire au minimum le risque de causer des éclats sur l'ouvrage, un bord usé doit être remplacé. Le bord anti-éclats est fourni dans un rouleau de 3,35 m / 11 pi qui peut être coupé à la longueur désirée en fonction du rail utilisé.

- Tirez sur les deux capuchons d'extrémité **44** et **45** pour les faire sortir, puis retirez le bord anti-éclats usé (Fig. 17).
- Déroulez et coupez une longueur de bord anti-éclats **42** qui est plus longue de 1 % que la longueur du rail. P. ex., pour le modèle FSN800, la longueur de la bande devrait être de 80,8 cm / 31,8 po (Fig. 17).
- Placez une légère couche de savon sur le nouveau bord pour faciliter son glissement dans les rainures sur la partie inférieure du rail (Fig. 18).
- Tirez le bord à travers la rainure jusqu'à l'extrémité distante du rail. Coupez la longueur de bande excédentaire. Pour éviter que la bande anti-éclats ne se déplace, appuyez l'une des pointes **51** contre le rail à côté de la bande à chaque extrémité. Courbez la poignée de la pointe vers le bas pour briser la poignée (Fig. 19).
- Réinsérez les deux capuchons d'extrémité **44** et **45**.
- Voir la rubrique « Préparation du rail » à la page 39 pour apprendre à adapter le bord anti-éclats à une scie et à une lame données.



▼ SAC DE TRANSPORT

Le sac robuste peut contenir deux rails FSN1600 (ou plus courts), et il comprend une poche où il est possible de placer un connecteur et/ou une paire de brides de fixation rapide des rails.

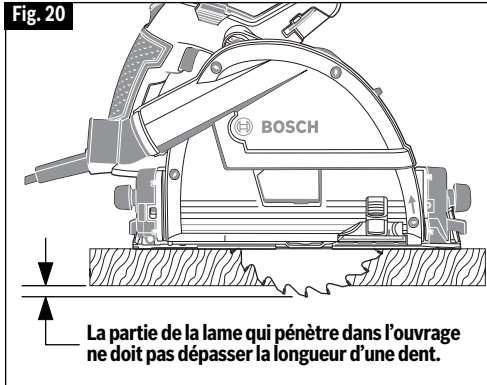
Consignes de fonctionnement

► Règlement de la profondeur

⚠ AVERTISSEMENT Pour réduire le risque de blessure, la partie de la lame qui dépasse en dessous du matériau à couper ne doit pas dépasser la longueur d'une dent de la scie.

- Débranchez la fiche de la prise de courant.
- Faites tourner l'indicateur de profondeur de coupe **8** dans la position du bas **a** pour scier sans rail ou dans la position du haut **b** pour scier avec un rail (Fig. 21).
- Comprimez la commande coulissante de la butée de profondeur **27** et déplacez-la jusqu'à la profondeur désirée (épaisseur du matériau plus une longueur de dent) sur l'échelle de profondeur de coupe **6** (Fig. 22).

Fig. 20



Remarque : Le réglage correct de la profondeur de coupe peut également réduire les éclats.

Fig. 21

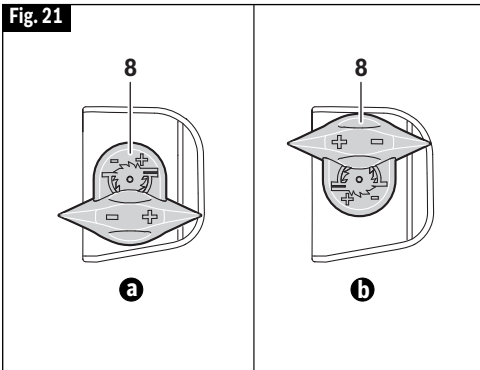
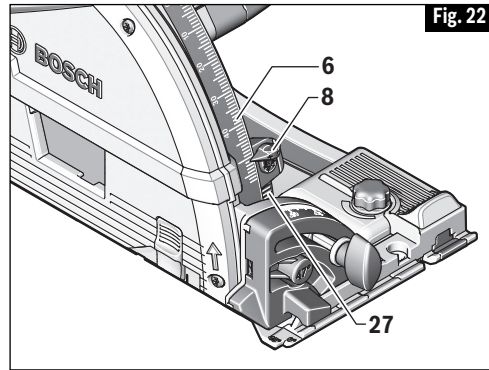


Fig. 22



► Réglage du biseau

⚠ AVERTISSEMENT Because of the increased amount of blade engagement in the work and decreased stability of the foot, blade binding may occur. Keep the saw steady and the foot firmly on the workpiece.

- Desserrez les boutons **11** et **17**. Inclinez la scie sur le côté (Fig. 1).
- Régalez la scie à l'angle de biseau désiré sur l'échelle **9**. Serrez à nouveau les boutons **11** et **17**.

L'angle de biseau de la scie peut être réglé sur -10 ou $+47^\circ$.

Pour l'angle de biseau de -1° , appuyez également sur le bouton poussoir **16** tout en inclinant, ou pour l'angle de biseau de $+47^\circ$, appuyez sur le bouton **12** tout en inclinant (Fig. 1).

Remarque : Pour les coupes en biseau, la profondeur de coupe est plus petite que le paramètre de réglage indiqué sur l'échelle de profondeur de coupe **6**.

Remarque : Avant de faire des coupes en biseau, rétractez la fenêtre d'observation **13** complètement vers le haut.

Consignes de fonctionnement

► Guides de trait de coupe

Le guide de trait de coupe à 0° **28** indique la position de la lame de la scie pour les coupes droites, qu'un rail soit utilisé ou non. Quand un rail est utilisé, il indique la position de la lame à n'importe quel angle de biseau. Le guide de trait de coupe à 45° **29** indique la position de la lame de scie pour des coupes en biseau à 45° lorsque le rail n'est pas utilisé (Fig. 23).

- Le point arrière le plus éloigné d'une coupe en plongée sur toute la profondeur est indiqué par le repère de limite de coupe fixé en usine **36** (Fig. 23).
- Le point avant le plus éloigné d'une coupe en plongée sur toute la profondeur est indiqué par le repère de limite de coupe avant rouge **35** sur la fenêtre d'observation en plastique (Fig. 23).

► Gestion de la poussière/des copeaux

L'orifice de dépoussiérage de la scie **18** pivote, ce qui permet à la scie de sortir dans le sens désiré.

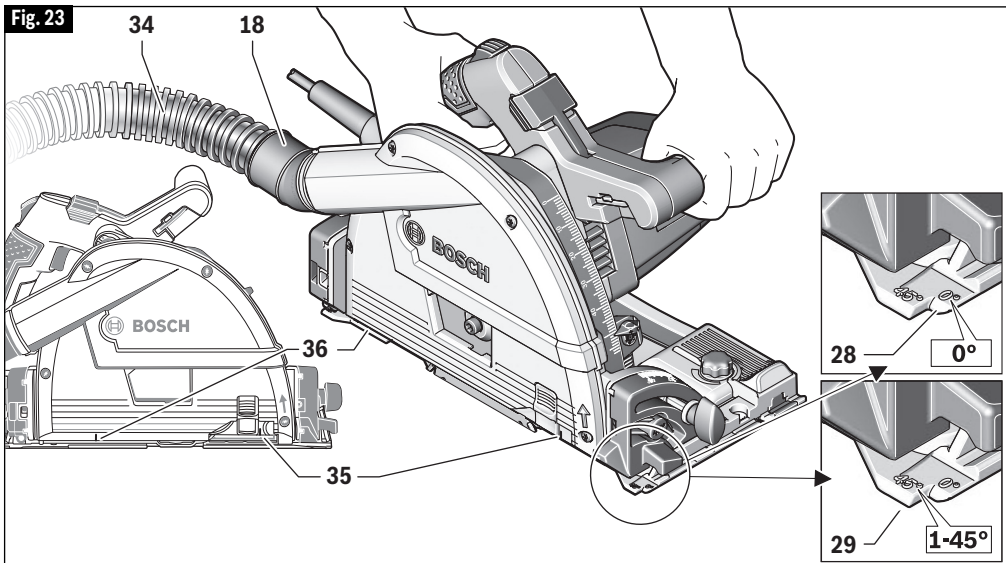
▼ EXTRACTION DE POUSSIÈRE

L'orifice de dépoussiérage **18** est compatible avec les suceurs typiques ressemblant à du caoutchouc des tuyaux flexibles d'aspirateur de 35 mm, tels que le modèle VX120 qui est fourni avec les tuyaux flexibles Bosch de la série VH.

Pour connecter la scie avec un tuyau flexible de 1-¼ po ou de 1-½ po, l'adaptateur Bosch VAC024 (vendu séparément) peut être utilisé.

Connectez l'autre extrémité du tuyau flexible à un extracteur de poussière approprié.

L'extracteur de poussière ou l'aspirateur doit être approprié pour le type de poussière qui sera créé en sciant le matériau de l'ouvrage.



Consignes de fonctionnement

► Opérations basiques

⚠ AVERTISSEMENT Tenez l'outil des deux mains lorsque vous le mettez en marche. Le couple du moteur peut causer une torsion de l'outil.

▼ SÉLECTION DE LA VITESSE

La vitesse requise peut être sélectionnée à l'avance au moyen du cadran de vitesse **24** avant le début de l'opération (Fig. 1).

La vitesse requise dépend de la lame de scie utilisée et du matériau à couper (voir l'aperçu sur les lames de scie à la fin de ce mode d'emploi).

▼ MISE SOUS TENSION ET HORS TENSION

Pour mettre la machine en marche, appuyez d'abord sur le bouton de verrouillage en position désactivée pour l'interrupteur de marche/arrêt **2**, puis appuyez sur l'interrupteur de marche/arrêt **1** et maintenez-le enfoncé.

L'actionnement du bouton de verrouillage en position désactivée **2** relâche le dispositif de plongée en même temps, ce qui permet de pousser la scie vers le bas. Ceci permet à la lame de la scie de plonger dans l'ouvrage. Lors du tirage vers le haut, la scie se rétracte dans la position de démarrage et le dispositif de plongée est verrouillé à nouveau.

Pour éteindre la machine, relâchez l'interrupteur de marche/arrêt **1**.

Remarque : Pour des raisons de sécurité, l'interrupteur de marche/arrêt **1** ne peut pas être verrouillé en position activée ; il faut continuer à le tenir enfoncé pendant toute la durée de l'opération.

Votre scie doit fonctionner à plein régime AVANT que vous ne commenciez à couper, et elle ne doit être mise hors tension qu'APRÈS avoir terminé la coupe. Pour augmenter la durée de vie de l'interrupteur, n'alternez pas entre l'activation et la désactivation de la scie au moyen de l'interrupteur pendant que vous êtes en train de faire une coupe.

▼ DÉMARRAGE EN DOUCEUR

La fonctionnalité de démarrage en douceur limite la consommation d'énergie lorsque vous mettez l'outil sous tension et permet un fonctionnement avec un fusible de 13 ampères.

▼ CONTRÔLE ÉLECTRONIQUE CONSTANT

La fonctionnalité de contrôle électronique constant maintient la vitesse constante à vide aussi bien qu'en charge et contribue à assurer une performance de travail uniforme.

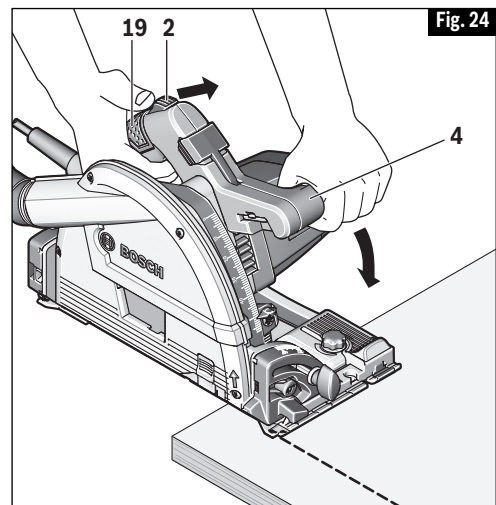
► Instructions générales pour la coupe

⚠ AVERTISSEMENT Après avoir fini une coupe et relâché la gâchette de l'interrupteur, tenez compte du temps nécessaire pour que la lame s'arrête complètement après que vous aurez relâché la gâchette. Observez aussi la lame et son exposition.

Tenez toujours l'outil par la poignée de la scie d'une main et par la poignée auxiliaire ou le boîtier de l'autre.

Assurez-vous que l'ouvrage est bien sécurisé.

Maintenez une prise ferme et actionnez l'interrupteur d'une manière décisive. Ne



Consignes de fonctionnement

forcez jamais la scie. Appliquez une légère pression continuellement.

Attendez toujours que la lame tourne à plein régime (tel qu'indiqué sur le cadran de vitesse) avant de la mettre en contact avec l'ouvrage. À moins qu'une coupe en plongée ne soit nécessaire, abaissez la lame de scie à la profondeur pré réglée avant de déplacer la scie vers l'avant et la faire pénétrer dans l'ouvrage.

En cas d'interruption de la coupe, pour reprendre la coupe ensuite : comprimez la gâchette de l'interrupteur et laissez la lame atteindre son plein régime, remettez la lame dans l'ouvrage à l'endroit où elle était auparavant et recommencez à couper.

Lorsque vous coupez contre le grain, les fibres du bois ont tendance à se déchirer et à se soulever. Si vous faites avancer la scie lentement, vous minimiserez cet effet. Il est recommandé d'utiliser une lame à coupe transversale ou une lame à onglet pour réaliser une coupe de finition.

▼ COUPE SANS ACTION DE PLONGÉE

Tenez l'outil fermement des deux mains (une main sur la poignée principale **19** et l'autre main sur la poignée auxiliaire **4**).

Placez l'avant de la plaque d'assise sur l'ouvrage sans que la lame ne soit en contact (assurez-vous que la lame n'entre pas en contact avec l'ouvrage après l'avoir poussée jusqu'à sa profondeur de coupe pré réglée).

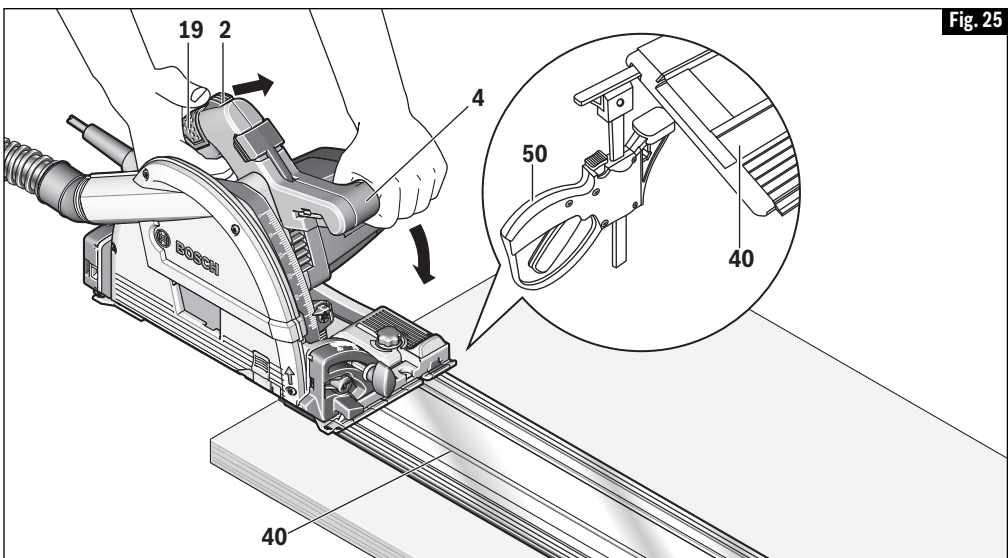
Appuyez sur le bouton de verrouillage en position désactivée **2** et appuyez sur l'interrupteur de marche/arrêt **1** pour mettre l'outil sous tension.

Attendez que la lame fonctionne à plein régime et appuyez lentement sur la tête de la scie jusqu'à la profondeur de coupe pré réglée (Fig. 24).

Poussez la scie lentement vers l'avant sur la surface de l'ouvrage en la gardant plate et en avançant délicatement jusqu'à ce que l'opération de sciage soit terminée.

À la fin de la coupe, relâchez l'interrupteur de marche/arrêt et attendez que la lame s'arrête complètement avant de tirer la tête de la scie vers le haut (elle se rétractera jusqu'à la position de départ et le mécanisme de plongée se verrouillera à nouveau).

Remarque : Si la coupe ne suit pas correctement la ligne de coupe prévue, NE tentez PAS de repousser la scie vers la ligne de coupe prévue. Ceci risquerait de coincer la lame et de causer un effet de rebond dangereux et des blessures graves



Consignes de fonctionnement

possibles. Relâchez l'interrupteur de marche/arrêt et attendez que la lame s'arrête complètement, puis retirez la lame. Alignez à nouveau la scie sur la nouvelle ligne de coupe, mettez l'outil sous tension, attendez que la lame tourne à plein régime et recommencez à couper.

► Conseils pour l'utilisation

Protégez les lames de scie contre les impacts et les chocs.

Guidez la machine de façon uniforme et en la dirigeant délicatement dans le sens de la coupe.

Si vous poussez trop fort, cela risque de réduire substantiellement la durée de vie utile de la lame de la scie et d'endommager la scie.

La performance de la scie et la qualité de la coupe dépendent essentiellement de l'état et du profil des dents de la lame de la scie. Par conséquent, n'utilisez que des lames de scie bien aiguisées qui sont appropriées pour le matériau à couper.

▼ SCIAGE DE BOIS

La sélection correcte de la lame de scie dépend du type et de la qualité du bois, ainsi que des types de coupes requis (en longueur ou transversales).

Lorsque vous coupez du bois d'épicea dans le sens de la longueur, de longs copeaux spiralés seront formés.

Les poussières produites par la coupe du bois de hêtre et de chêne sont particulièrement toxiques. Par conséquent, travaillez toujours dans ce cas avec le système d'extraction de la poussière activé.

▼ SCIAGE D'AUTRES MATÉRIEAUX

Les instructions pour couper du bois peuvent également être utilisées pour couper des matériaux en plastique structurellement stable. Lorsque vous devez couper des matériaux en plastique, effectuez toujours un test de coupe pour déterminer si la scie a tendance à faire fondre le matériau coupé. Si nécessaire, ajustez la vitesse de coupe et/ou d'alimentation suivant

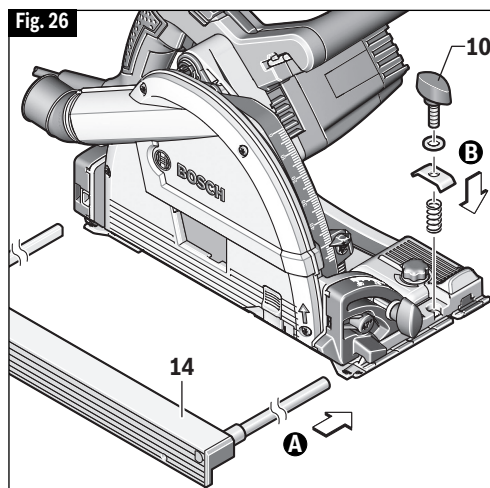
les besoins pour réduire cette tendance à fondre au minimum.

Cette scie n'est pas conçue pour couper du métal ou de la maçonnerie.

► Sciage de précision avec un rail

Le modèle GKT13-225 est conçu spécifiquement pour effectuer des coupes droites précises tout en utilisant un rail de guidage (Fig. 25).

- Assurez-vous que le rail **40** est préparé, positionné et fixé en place comme indiqué sous la rubrique « Préparation du rail » à la page 39.
- Assurez-vous que la plaque d'assise de la scie est bien positionnée sur le rail.
- Faites particulièrement attention quand vous placez la scie sur la partie du rail qui s'étend au-delà du bord d'attaque ou du bord de fuite de l'ouvrage.
- Lorsque vous commencez une coupe à partir des bords d'attaque de l'ouvrage, suivez les instructions de la rubrique « Coupes en plongée » ci-dessous.
- Avant de retirer la scie du rail, soulevez la tête de la scie et rétractez la lame en premier, puis attendez que la lame s'arrête complètement de tourner.



Consignes de fonctionnement

► Sciage avec un guide de refente

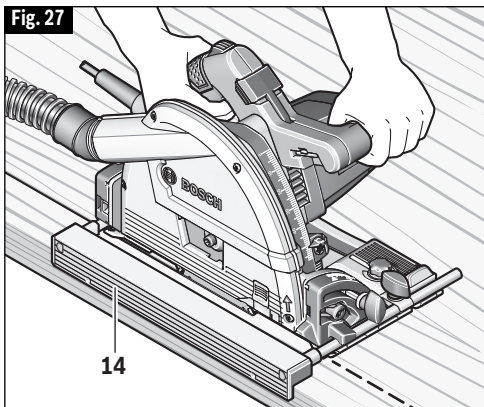
Le guide de refente **14** (vendu séparément) permet d'effectuer des coupes précises le long du bord d'un ouvrage et de couper des bandes de la même dimension.

- Faites glisser les tiges de guidage du guide de refente **14** à travers les guides de la plaque d'assise **7**.
- Montez les ensembles de boulons à oreilles **10** sur les deux extrémités comme illustré, mais ne serrez pas encore les boulons à oreilles (Fig. 26).
- Ajustez la largeur de coupe désirée comme la valeur de l'échelle sur les guides de lignes respectifs **32** ou **33**, voir la rubrique « Guides pour les lignes de coupe ».
- Serrez les boulons à oreilles **10**.

► Sciage avec le guide à bord droit

Pour scier de grands ouvrages ou des bords droits, une planche ou autre bande de matériau peut être assujettie au moyen de la bride de fixation **C** (vendue séparément) à l'ouvrage comme un guide à bord droit. La plaque d'assise de la scie circulaire peut être guidée le long du guide à bord droit **33** (Fig. 28).

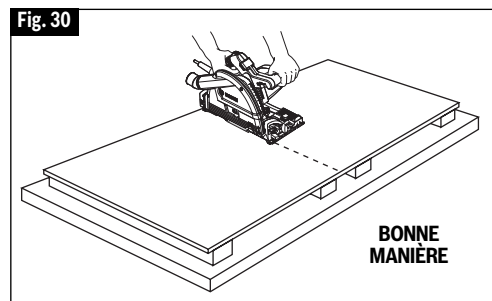
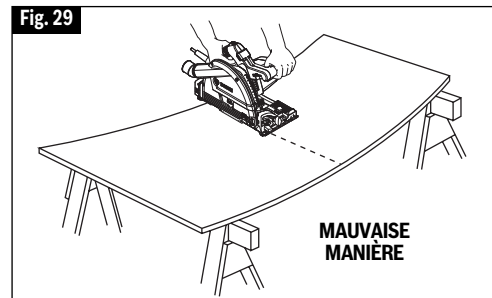
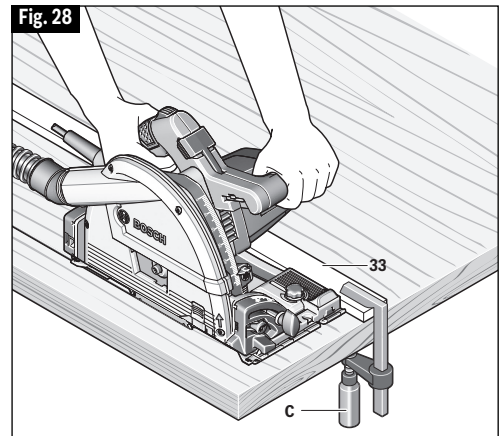
- Le guide à bord droit doit être positionné de telle sorte que le côté moteur de la scie se déplace contre lui lors de la coupe de la ligne désirée.



- Plus la coupe est profonde, plus le guide à bord droit doit être mince, car le dégagement sous le moteur le long du moteur de la base est très limité.
- Assurez-vous que les brides de fixation n'entravent pas le libre mouvement de la scie.

► Coupe de grandes feuilles

Les grandes feuilles et les longs panneaux fléchissent ou plient, selon la



Consignes de fonctionnement

façon dont ils sont soutenus. Si vous essayez de les couper sans les avoir mis au niveau et soutenus par des supports au préalable, la lame aura tendance à gripper provoquant des REBONDS et la surcharge du moteur (Fig. 29).

Qu'un rail soit utilisé ou non pour effectuer la coupe, supportez le panneau ou la planche près de la coupe, comme illustré à la Fig. 30. Assurez-vous que la profondeur de coupe est réglée de manière à ce que la lame ne traverse que la feuille ou la planche à couper, sans faire d'entailles dans la table de travail ou l'établi. Les deux-par-quatre utilisés pour soulever et soutenir la pièce devraient reposer à plat entre celle-ci et la table ou l'établi. Ne placez jamais les deux-par-quatre sur leurs côtés plus étroits car cet arrangement manquerait

de stabilité. Si la feuille ou le panneau est plus grand que la table ou l'établi, placez-le sur des deux-par-quatre sur le plancher et assujettissez-le.

► Coupes en plongée

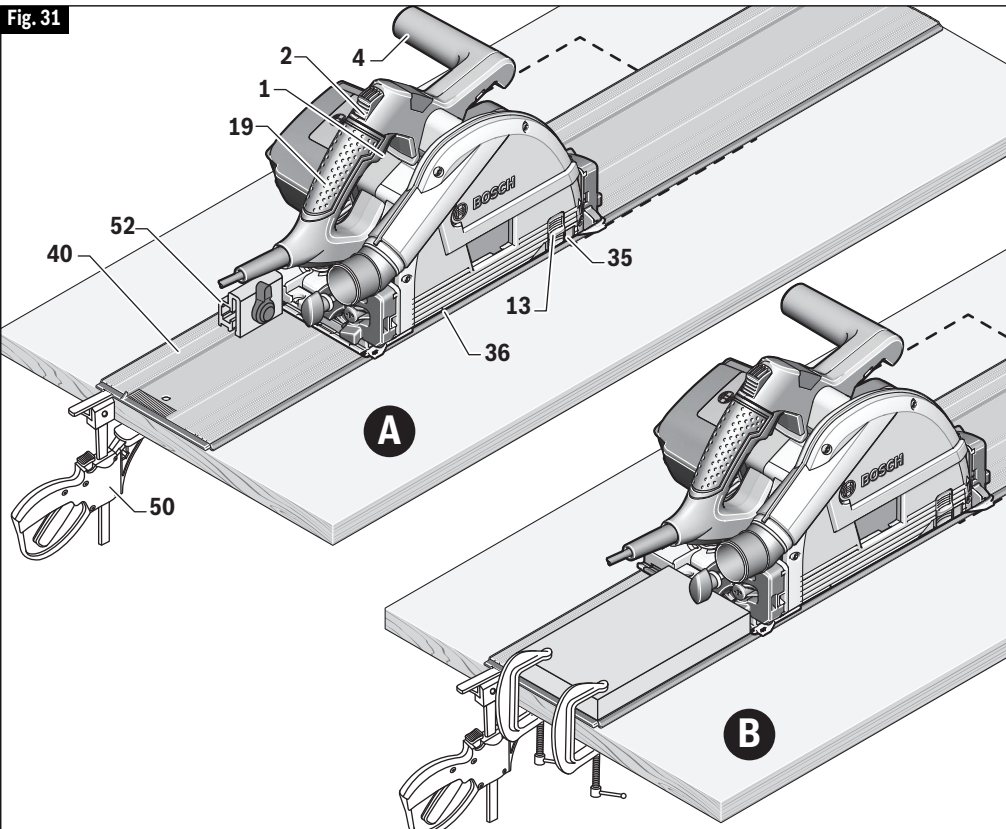
⚠ AVERTISSEMENT N'effectuez pas de coupe

en plongée sans utiliser un rail. La réalisation de coupes en plongée sans rail augmente le risque de blessure.

Installation du rail sur l'ouvrage à couper (voir la rubrique « Sécurisation des rails » pour plus de détails).

Placez la scie sur le rail **40** dans la position de plongée désirée. Installez la butée de fin de course **52** (vendue séparément) sur le rail, contre le bord arrière de la plaque d'assise de la scie

Fig. 31



Consignes de fonctionnement

(Fig. 31, **A**). Si vous ne voulez pas utiliser la butée de fin de course, fabriquez une butée fixe ou équivalente qui sera assujettie au rail (Fig. 31, **B**).

Tirez la fenêtre d'observation **13** vers le bas jusqu'à ce qu'elle entre en contact avec l'ouvrage. Les repères de limite de coupe **35** et **36** montrent la longueur de la coupe en plongée quand la profondeur de coupe est réglée sur la valeur maximum.

Tenez la scie fermement des deux mains (une main sur la poignée principale **19** et l'autre main sur la poignée auxiliaire **4**).

Appuyez sur le bouton de verrouillage en position désactivée **2** et appuyez sur l'interrupteur de marche/arrêt **1** pour mettre la scie sous tension.

Attendez que la lame fonctionne à plein régime et appuyez lentement sur la tête de la scie jusqu'à la profondeur de coupe préréglée.

Poussez la scie lentement vers l'avant en gardant la plaque d'assise à plat contre le rail et en avançant délicatement jusqu'à ce que l'opération de sciage soit terminée.

À la fin de la coupe en plongée, relâchez l'interrupteur de marche/arrêt et attendez que la lame s'arrête complètement avant de tirer la tête de la scie vers le haut (elle se rétractera jusqu'à la position de départ et le mécanisme de plongée se verrouillera à nouveau).

Cordons de rallonge

⚠ AVERTISSEMENT Si un cordon de rallonge s'avère nécessaire, vous devez utiliser un cordon avec conducteurs de dimension adéquate pouvant porter le courant nécessaire à votre outil. Ceci préviendra une chute excessive de tension, une perte de courant ou une surchauffe. Les outils mis à la terre doivent utiliser des cordons de rallonge trifilaires pourvus de fiches à trois broches ainsi que des prises à trois broches.

REMARQUE : Plus le calibre du cordon est petit, plus sa capacité est élevée.

DIMENSIONS DE RALLONGES RECOMMANDÉES OUTILS 120 VOLTS COURANT ALTERNATIF

Intensité nominale de l'outil	Calibre A.W.G.				Calibre en mm ²			
	Longueur en pieds				Longueur en mètres			
	25	50	100	150	15	30	60	120
3-6	18	16	16	14	0.75	0.75	1.5	2.5
6-8	18	16	14	12	0.75	1.0	2.5	4.0
8-10	18	16	14	12	0.75	1.0	2.5	4.0
10-12	16	16	14	12	1.0	2.5	4.0	-
12-16	14	12	-	-	-	-	-	-

Entretien

⚠ AVERTISSEMENT Pour éviter les accidents, il faut toujours débrancher l'outil avant de le nettoyer ou de l'entretenir.

⚠ AVERTISSEMENT Tout entretien préventif effectué par des personnels non autorisés peut résulter en mauvais placement de fils internes ou de pièces, ce qui peut présenter un danger grave. Nous vous conseillons de faire faire tout l'entretien par un centre de service d'usine Bosch ou une station service agréée Bosch.

► Lubrification de l'outil

Votre outil Bosch a été lubrifié correctement en usine et il est prêt à l'utilisation. Nous vous conseillons de re-graisser les outils qui comportent des engrenages avec un lubrifiant à engrenages spécial à chaque fois que vous changez les balais.

► Balais ou charbons

Les balais (ou charbons) et le collecteur de votre outil ont été conçus pour apporter de nombreuses heures de fonctionnement fiable. Pour maintenir le rendement du moteur à son maximum, nous vous conseillons de contrôler les balais tous les deux à six mois. Il ne faut utiliser que des balais de rechange Bosch d'origine et conçus pour votre outil.

► Paliers

Si les paliers commencent à faire du bruit (à cause de surcharges importantes ou du toupillage de matériaux très abrasifs) il faut les faire remplacer immédiatement pour éviter la surchauffe ou une panne de moteur.

► Nettoyage

⚠ MISE EN GARDE Certains agents de nettoyages et certains dissolvants abîment les pièces en plastique. Parmi ceux-ci se trouvent: l'essence, le tétrachlorure de carbone, les dissolvants de nettoyage chlorés, l'ammoniaque ainsi que les détergents domestiques qui en contiennent.

Les ouïes de ventilation et les leviers de l'interrupteur doivent rester propres et exempts de corps étrangers. Ne tentez pas de les nettoyer en enfonçant des objets pointus dans les orifices.

► Entretien des lames

Les lames finissent par s'émousser, même à couper des pièces de bois régulières. Si vous constatez que vous devez forcer la scie à avancer plutôt que de la guider simplement vers la ligne de coupe, il est probable que la lame est émoussée ou souillée de résine.

Quand vous devez enlever la gomme et la résine de la lame de votre scie, débranchez d'abord la scie avant d'enlever la lame. Souvenez-vous que les lames sont des objets tranchants et qu'elles doivent être manipulées avec soin. Essayez la lame avec du kérosène ou un dissolvant similaire pour enlever l'accumulation de gomme et de résine. À moins que vous soyez parfaitement familier avec l'affûtage des lames, nous vous déconseillons de l'essayer.

Attachements et accessoires

⚠ AVERTISSEMENT L'utilisation d'autres accessoires ou attachements non spécifiés dans ce mode d'emploi pourrait être dangereuse.

Ranger les accessoires dans un environnement sec et tempéré pour éviter les risques de corrosion et de détérioration.

Bosch No.	Description	Inclus	Vendu séparément
Accessoires			
PRO648TS	Lame à 48 dents pour le bois et les composites de bois	●	●
PRO624TS	Lame à 24 dents pour le bois et les composites de bois	–	●
Attachements			
FSN...	Rails	–	●
FSNKK	Brides de fixation des rails	–	●
FSNVEL	Connecteur de rail	–	●
FSNWAN	Guide d'onglet pour les rails	–	●
FSNRS	Butée de fin de course pour le rail	–	●
FSNSS	Bord anti-éclats	–	●
FSNHB	Bande de traction	–	●
FSNBAG	Sac de transport	–	●
GKTPA	Guide de refente	–	●
VAC024	Adaptateur de tuyau flexible d'aspirateur pour des tuyaux flexibles de 1-1/4 po et 1-1/2 po	–	●
VX120	Adaptateur de tuyau flexible d'aspirateur pour les tuyaux flexibles de la série VH de Bosch	–	●





Guide de diagnostic

⚠ AVERTISSEMENT Commencer par lire le mode d'emploi ! Débranchez le cordon d'alimentation de la prise de courant avant d'effectuer des réglages ou d'assembler la lame.

PROBLÈME	CAUSE	ACTION CORRECTIVE
La scie ne démarre pas.	<ol style="list-style-type: none"> 1. Le cordon d'alimentation n'est pas branché. 2. Le fusible est grillé ou le disjoncteur est déclenché. 3. Le cordon d'alimentation est endommagé. 4. L'interrupteur est grillé. 5. L'actionnement de la gâchette ne met pas l'outil en marche. 	<ol style="list-style-type: none"> 1. Brancher le cordon de la scie. 2. Remplacer le fusible ou réenclencher le disjoncteur. 3. Inspecter le cordon pour évaluer les dommages possibles. En cas d'endommagement, faire remplacer le cordon par un Centre de service ou une station service Bosch agréé. 4. Faire remplacer l'interrupteur par un Centre de service ou une station service Bosch agréé. 5. Désengagez le bouton de verrouillage en position désactivée 2 comme décrit à la page 46.
La lame ne tourne pas à une vitesse suffisante.	<ol style="list-style-type: none"> 1. La rallonge du cordon d'alimentation est trop long ou son calibre est trop faible. 2. La tension secteur est insuffisante. 	<ol style="list-style-type: none"> 1. Utiliser une rallonge adéquate. 2. Contacter la compagnie d'électricité.
Vibrations excessives.	<ol style="list-style-type: none"> 1. La lame est déséquilibrée. 2. L'ouvrage n'est pas assujéti ou supporté comme il faudrait. 	<ol style="list-style-type: none"> 1. Mettre la lame au rebut et en utiliser une autre. 2. Assujettir ou supporter l'ouvrage comme illustré aux pages 46 – 50.
Les coupes transversales ne sont pas d'équerre.	<ol style="list-style-type: none"> 1. La plaque d'assise n'est pas ajustée de façon appropriée. 	<ol style="list-style-type: none"> 1. Dans la section « Consignes de fonctionnement », voir les rubriques intitulées « Réglage du biseau » (page 44), « Guides de trait de coupe » (page 45) et « Coupe de grandes feuilles » (page 49).
La lame se coince ou subit un échauffement excessif, ou le moteur cale pendant les coupes en long.	<ol style="list-style-type: none"> 1. La lame est émoussée et la voie des dents est mal adaptée. 2. L'ouvrage est gondolé. 3. La lame se bloque. 4. L'ouvrage n'est pas supporté adéquatement. 	<ol style="list-style-type: none"> 1. Mettre la lame au rebut et en utiliser une autre. 2. S'assurer que l'ouvrage est placé avec le côté concave (creux) VERS LE BAS, et faire avancer lentement (page 49). 3. Assemblez la lame et serrez l'embrayage Vari-Torque en suivant les instructions de la rubrique « Montage de la scie ». Voir Page 38. 4. Assujettir ou supporter l'ouvrage comme illustré aux pages pages 46 – 50.
Dérapage de la lame.	<ol style="list-style-type: none"> 1. L'outil ne coupe pas l'ouvrage. 	<ol style="list-style-type: none"> 1. Assemblez la lame et serrez l'embrayage Vari-Torque en suivant les instructions de la rubrique « Montage de la scie ». Voir Page 38.

Símbolos de seguridad

Las definiciones que aparecen a continuación describen el nivel de gravedad de cada palabra de señal de seguridad. Por favor, lea el manual y preste atención a estos símbolos.

	<p>Éste es el símbolo de alerta de seguridad. Se utiliza para alertarle a usted de posibles peligros de lesiones corporales. Obedezca todos los mensajes de seguridad que sigan a este símbolo para evitar posibles lesiones o muerte.</p>
	<p>PELIGRO indica una situación peligrosa que, si no se evita, causará la muerte o lesiones graves.</p>
	<p>ADVERTENCIA indica una situación peligrosa que, si no se evita, podría causar la muerte o lesiones graves.</p>
	<p>PRECAUCIÓN indica una situación peligrosa que, si no se evita, podría causar lesiones leves o moderadas.</p>

Advertencias generales de seguridad para herramientas mecánicas

ADVERTENCIA Lea todas las advertencias de seguridad, instrucciones, ilustraciones y especificaciones suministradas con esta herramienta eléctrica. Si no se siguen todas las instrucciones que se indican a continuación, es posible que el resultado sea descargas eléctricas, incendio y/o lesiones graves.

GUARDE TODAS LAS ADVERTENCIAS E INSTRUCCIONES PARA REFERENCIA FUTURA

La expresión "herramienta mecánica" en las advertencias se refiere a su herramienta mecánica alimentada por la red eléctrica (herramienta alámbrica) o su herramienta mecánica alimentada por baterías (herramienta inalámbrica).

Seguridad del área de trabajo

Mantenga el área de trabajo limpia y bien iluminada. Las áreas desordenadas u oscuras invitan a que se produzcan accidentes.

No utilice herramientas mecánicas en atmósferas explosivas, como por ejemplo en presencia de líquidos, gases o polvos inflamables. Las herramientas mecánicas generan chispas que pueden incendiar el polvo o los vapores.

Mantenga alejados a los niños y a las personas que estén presentes mientras esté utilizando una herramienta mecánica. Las distracciones pueden hacerle perder el control de la herramienta.

Seguridad eléctrica

Los enchufes de las herramientas

mecánicas deben coincidir con el tomacorriente. No modifique nunca el enchufe de ningún modo. No use enchufes adaptadores con herramientas mecánicas conectadas a tierra (puestas a tierra). Los enchufes no modificados y los tomacorrientes coincidentes reducirán el riesgo de sacudidas eléctricas.

Evite el contacto del cuerpo con las superficies conectadas o puestas a tierra, tales como tuberías, radiadores, estufas y refrigeradores. Hay un aumento del riesgo de sacudidas eléctricas si el cuerpo del operador se conecta o pone a tierra.

No exponga las herramientas mecánicas a la lluvia o a condiciones mojadas. La entrada de agua en una herramienta mecánica aumentará el riesgo de que se produzcan sacudidas eléctricas.

No maltrate el cordón de energía. No use nunca el cordón para transportar la

Advertencias generales de seguridad para herramientas mecánicas

herramienta mecánica, tirar de ella o desenchufarla. Mantenga el cordón alejado del calor, el aceite, los bordes afilados o las piezas móviles. Los cordones dañados o enganchados aumentan el riesgo de que se produzcan sacudidas eléctricas.

Cuando utilice una herramienta mecánica en el exterior, use un cordón de extensión adecuado para uso a la intemperie. La utilización de un cordón adecuado para uso a la intemperie reduce el riesgo de que se produzcan sacudidas eléctricas.

Si es inevitable utilizar una herramienta mecánica en un lugar húmedo, utilice una fuente de energía protegida por un interruptor de circuito accionado por corriente de pérdida a tierra (GFCI). El uso de un GFCI reduce el riesgo de sacudidas eléctricas.

Seguridad personal

Manténgase alerta, fíjese en lo que está haciendo y use el sentido común cuando esté utilizando una herramienta mecánica. No use una herramienta mecánica cuando esté cansado o bajo la influencia de drogas, alcohol o medicamentos. Un momento de distracción mientras esté utilizando herramientas mecánicas podría causar lesiones corporales graves.

Use equipo de protección personal. Use siempre protección de los ojos. El equipo de protección, como por ejemplo una máscara antipolvo, calzado de seguridad antideslizante, casco o protección de oídos, utilizado para las condiciones apropiadas, reducirá las lesiones corporales.

Evite el arranque accidental. Asegúrese de que el interruptor esté en la posición de apagado antes de conectar la herramienta a la fuente de energía y / o al paquete de batería, levantar la herramienta o transportarla. Transportar herramientas mecánicas con un dedo en el interruptor o encender herramientas mecánicas que tengan el interruptor en la posición de encendido invita a que se produzcan accidentes.

Quite todas las llaves de ajuste o de tuerca antes de encender la herramienta

mecánica. Una llave de tuerca o de ajuste que se deje colocada en una pieza giratoria de la herramienta mecánica podría causar lesiones corporales.

No intente alcanzar demasiado lejos. Mantenga un apoyo de los pies y un equilibrio apropiados en todo momento. Esto permite controlar mejor la herramienta mecánica en situaciones inesperadas.

Vístase adecuadamente. No use ropa holgada ni alhajas holgadas. Mantenga el pelo, la ropa y los guantes alejados de las piezas móviles. La ropa holgada, las alhajas holgadas o el pelo largo pueden quedar atrapados en las piezas móviles.

Si se proporcionan dispositivos para la conexión de instalaciones de extracción y recolección de polvo, asegúrese de que dichas instalaciones estén conectadas y se usen correctamente. El uso de dispositivos de recolección de polvo puede reducir los peligros relacionados con el polvo.

No deje que la familiaridad obtenida con el uso frecuente de las herramientas le haga volverse complaciente e ignorar los principios de seguridad de las herramientas. Una acción descuidada puede causar lesiones graves en una fracción de segundo.

Uso y cuidado de las herramientas mecánicas

No fuerce la herramienta mecánica. Use la herramienta mecánica correcta para la aplicación que desee realizar. La herramienta mecánica correcta hará el trabajo mejor y con más seguridad a la capacidad nominal para la que fue diseñada.

No use la herramienta mecánica si el interruptor no la enciende y apaga. Toda herramienta mecánica que no se pueda controlar con el interruptor es peligrosa y debe ser reparada.

Desconecte el enchufe de la fuente de alimentación y/o retire el paquete de batería de la herramienta eléctrica, si es extraíble, antes de hacer cualquier ajuste, cambiar accesorios o almacenar herramientas eléctricas. Dichas medidas preventivas de seguridad reducen el riesgo

Advertencias generales de seguridad para herramientas mecánicas

de arrancar accidentalmente la herramienta mecánica.

Guarde las herramientas que no esté usando fuera del alcance de los niños y no deje que personas que no estén familiarizadas con la herramienta mecánica o con estas instrucciones utilicen la herramienta. Las herramientas mecánicas son peligrosas en manos de usuarios que no hayan recibido capacitación.

Mantenga las herramientas eléctricas y sus accesorios. Compruebe si hay piezas móviles desalineadas o que se atoran, si hay piezas rotas y si existe cualquier otra situación que podría afectar el funcionamiento de la herramienta mecánica. Si la herramienta mecánica está dañada, haga que la reparen antes de usarla. Muchos accidentes son causados por herramientas mecánicas mantenidas deficientemente.

Mantenga las herramientas de corte afiladas y limpias. Es menos probable que las herramientas de corte mantenidas apropiadamente, con bordes de corte afilados, se atoren, y dichas herramientas son más fáciles de controlar.

Utilice la herramienta mecánica, los accesorios, las brocas de la herramienta, etc., de acuerdo con estas instrucciones, teniendo en cuenta las condiciones de trabajo y el trabajo que se vaya a realizar. El uso de la herramienta mecánica para operaciones distintas a aquéllas para las que fue diseñada podría causar una situación peligrosa.

Mantenga secos, limpios y libres de aceite y grasa los mangos y las superficies de agarre. Si están resbalosos, los mangos y las superficies de agarre no permiten un manejo y un control seguros de la herramienta en situaciones inesperadas.

Servicio de ajustes y reparaciones

Haga que su herramienta mecánica reciba servicio de un técnico de reparaciones calificado, utilizando únicamente piezas de repuesto idénticas. Esto asegurará que se mantenga la seguridad de la herramienta mecánica.

Normas de seguridad para sierras circulares

⚠ PELIGRO Mantenga las manos alejadas del área de corte y de la hoja. Mantenga la segunda mano en el mango auxiliar o en la caja del motor. Si las manos están sujetando la sierra, la hoja no puede cortarlas.

No ponga la mano debajo de la pieza de trabajo. El protector no puede protegerle de la hoja debajo de la pieza de trabajo.

Ajuste la profundidad de corte al grosor de la pieza de trabajo. Menos de un diente completo de los dientes de la hoja debería ser visible por debajo de la pieza de trabajo.

Nunca tenga en las manos ni apoye en la pierna la pieza que se está cortando. Sujete firmemente la pieza de trabajo a una plataforma estable. Es importante apoyar la pieza de trabajo adecuadamente para minimizar la exposición del cuerpo, el atasco de la hoja y la pérdida de control.

Sujete la herramienta mecánica por las

superficies de agarre aisladas al realizar una operación en la que la herramienta de corte pueda entrar en contacto con cables ocultos o con su propio cordón. El contacto con un cablel con corriente también hará que las partes metálicas al descubierto de la herramienta lleven corriente y el resultado podría ser una descarga eléctrica al operador.

Cuando corte al hilo, utilice siempre el carril guía, el tope-guía para cortar al hilo o una guía de borde recto. Esto aumenta la precisión del corte y reduce las posibilidades de que la hoja se atasque.

Utilice siempre hojas con agujeros de eje portaherramienta de tamaño y forma correctos (diamante frente a redondo). Las hojas que no coincidan con las piezas de montaje de la sierra girarán excéntricamente, causando pérdida de control.

Nunca utilice arandelas o perno de hoja

Normas de seguridad para sierras circulares

dañados o incorrectos. Las arandelas y el perno de la hoja se diseñaron especialmente para la sierra con objeto de lograr un rendimiento óptimo y un funcionamiento con seguridad.

Inspeccione el estado y la calidad de la madera y quítele todos los clavos antes de realizar el corte. La madera mojada, la madera verde y la madera tratada a presión requieren atención especial durante la operación de corte para prevenir el retroceso.

Sujete la sierra firmemente para evitar la pérdida de control. Las figuras que aparecen en este manual ilustran la manera típica de sujetar la sierra con las manos.

Según el uso, es posible que el interruptor no dure toda la vida de la sierra. Si el interruptor falla en la posición "OFF" (apagado), puede que la sierra no arranque. Si falla mientras la sierra está en marcha, puede que ésta no se pueda apagar. Si se produce cualquiera de estas dos situaciones, desenchufe la sierra inmediatamente y no la utilice hasta que haya sido reparada.

Esta sierra circular no se debe montar en una mesa para convertirla en una sierra de mesa. Las sierras circulares no están diseñadas ni concebidas para usarse como sierras de mesa.

Causas del retroceso y advertencias relacionadas

El retroceso es una reacción repentina a una hoja de sierra pellizcada, atorada o desalineada, que hace que una sierra descontrolada se levante y se salga de la pieza de trabajo hacia el operador.

Cuando la hoja resulte pellizcada o se atore fuertemente debido a que la sección de corte se cierra, la hoja se detiene y la reacción del motor impulsa rápidamente la unidad hacia atrás, hacia el operador.

Si la hoja se tuerce o se desalinea en el corte, los dientes del filo trasero de la hoja pueden penetrar en la superficie superior de la madera, haciendo que la hoja se salga de la separación de corte y salte hacia atrás en dirección al operador.

El retroceso es el resultado de un uso indebido de la sierra y/o procedimientos o

situaciones de utilización incorrectos que se pueden evitar tomando las precauciones adecuadas, tal y como se indica a continuación:

Mantenga un agarre firme de la sierra con las dos manos y sitúe los brazos para resistir las fuerzas de retroceso. Sitúe el cuerpo en cualquiera de los dos lados de la hoja, pero no en línea con la hoja. El retroceso podría hacer que la sierra salte hacia atrás, pero las fuerzas de retroceso pueden ser controladas por el operador, si se toman las precauciones adecuadas.

Cuando la hoja se atasque o cuando se interrumpa un corte por cualquier razón, suelte el gatillo y sujete la sierra en posición inmóvil en el material hasta que la hoja se detenga por completo. Nunca intente retirar la sierra de la pieza de trabajo ni tirar de la sierra hacia atrás mientras la hoja está en movimiento o de lo contrario se podrá producir retroceso. Investigue y tome medidas correctoras para eliminar la causa del atasco de la hoja.

Cuando reorganice una sierra en la pieza de trabajo, centre la hoja de sierra en la sección de corte de manera que los dientes de la sierra no estén acoplados en el material. Si la hoja de sierra se atora, es posible que se desvíe o experimente retroceso respecto a la pieza de trabajo al reorganizar la sierra.

Soporte los paneles grandes para minimizar el riesgo de que se produzcan pellizcamiento de la hoja y retroceso. Los paneles grandes tienden a combarse bajo su propio peso. Se deben colocar soportes bajo el panel a ambos lados, cerca de la línea de corte y cerca del borde del panel.

No utilice una broca desafilada o dañada. Las hojas desafiladas o ajustadas incorrectamente producen una separación de corte estrecha, causando fricción excesiva, atasco de la hoja y retroceso.

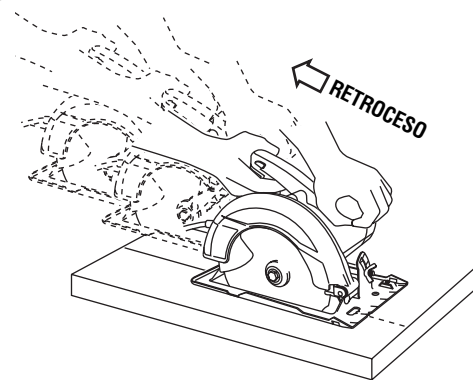
Las palancas de fijación de profundidad de la hoja y de ajuste de bisel deben estar apretadas y seguras antes de realizar el corte. Si el ajuste de la hoja cambia mientras se está haciendo un corte, puede causar atasco y retroceso.

Tenga precaución especial al hacer un operaciones de aserrado en paredes existentes o en otras áreas ciegas. La hoja

Normas de seguridad para sierras circulares

que sobresale puede cortar objetos que pueden causar retroceso.

Las arandelas y el perno de la hoja de la sierra se han diseñado para funcionar como un embrague para reducir la intensidad de un retroceso. Entienda el funcionamiento y las posiciones del EMBRAGUE DE PAR MOTOR VARIABLE. El ajuste apropiado del embrague, combinado con un manejo firme de la sierra, le permitirá controlar el retroceso.



Nunca ponga la mano detrás de la hoja de sierra. El retroceso podría hacer que la sierra salte hacia atrás sobre la mano.

No utilice la sierra con un ajuste de la profundidad de corte que sea excesivo. Si una parte demasiado grande de la hoja queda al descubierto, se aumentan las posibilidades de que la hoja se tuerza en la sección de corte y se aumenta el área de superficie de la hoja disponible para causar un pellizco que produzca retroceso.

Función del protector

Compruebe si el protector se cierra correctamente antes de cada uso. No utilice la sierra si el protector no se mueve libremente y encierra la hoja instantáneamente. No fije nunca con abrazaderas ni amarre el protector de manera que la hoja quede al descubierto. Si la sierra se cae accidentalmente, es posible que el protector se doble. Compruebe el protector para asegurarse de que se mueve libremente y no toca la hoja ni ninguna otra parte, en todos los ángulos y todas las profundidades de corte.

59

Compruebe el funcionamiento y el estado del resorte de retorno del protector. Si el protector y el resorte no están funcionando correctamente, debe recibir servicio de ajustes y reparaciones antes de utilizar la herramienta. Es posible que el protector funcione con dificultad debido a piezas dañadas, depósitos de goma o una acumulación de residuos.

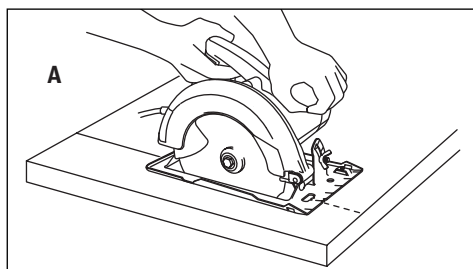
Asegúrese de que la placa-base de la sierra no se mueva mientras se realiza un “corte por inmersión”. Un movimiento lateral de la hoja causará atoramiento y probablemente retroceso.

Observe siempre que el protector esté cubriendo la hoja antes de dejar la sierra en un banco o en el piso. Una hoja desprotegida y que esté desacelerando hará que la sierra se desvíe hacia atrás, cortando todo aquello que esté en su trayectoria. Tenga en cuenta el tiempo que se toma para que la hoja se detenga después de soltar el interruptor.

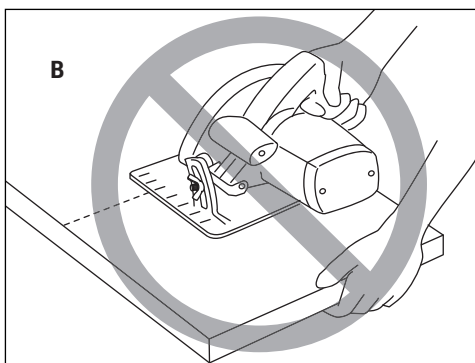
No tenga la herramienta en marcha mientras la lleve a su lado. Es posible que el protector se abra por causa de un contacto con su ropa. Un contacto accidental con la hoja de sierra cuando esté girando podría causar lesiones corporales graves.

Limpie periódicamente el protector y el área del resorte del protector con aire comprimido. Un mantenimiento preventivo y un protector que funcione correctamente reducirán la probabilidad de un accidente.

Coloque la parte más ancha de la placa-base sobre esa parte de la pieza de trabajo, que está soportada sólidamente, no sobre la sección que se caerá cuando se haga el corte. Como ejemplos, la Fig. A ilustra la manera CORRECTA de cortar el extremo de una tabla y la Fig. B muestra la manera INCORRECTA.



Normas de seguridad para sierras circulares



Si la pieza de trabajo es corta o pequeña, fijela con abrazaderas. ¡NO INTENTE SUJETAR CON LA MANO PIEZAS DE TRABAJO CORTAS!

Advertencias de seguridad adicionales

Un GFCI y los dispositivos de protección personal, como guantes de goma y calzado de goma de electricista, mejorarán más su seguridad personal.

No use herramientas mecánicas con capacidad nominal solamente para CA con una fuente de energía de CC. Aunque pueda parecer que la herramienta funciona correctamente, es probable que los componentes eléctricos de la herramienta con capacidad nominal para CA fallen y creen un peligro para el operador.

Mantenga los mangos secos, limpios y libres de aceite y grasa. Las manos resbalosas no pueden controlar de modo seguro la herramienta mecánica.

Use abrazaderas u otro modo práctico de sujetar y soportar la pieza de trabajo en una plataforma estable. Si se sujeta la pieza de trabajo con la mano o contra el cuerpo, se crea una situación inestable que podría causar pérdida de control.

Desarrolle un programa de mantenimiento periódico de la herramienta. Cuando limpie una herramienta, tenga cuidado de no desmontar ninguna de sus partes, ya que los cables internos podrían reubicarse incorrectamente o pellizcarse, o los resortes de retorno de los protectores de seguridad podrían montarse incorrectamente. Ciertos agentes de limpieza, tales como gasolina, tetracloruro

de carbono, amoníaco, etc., podrían dañar las piezas de plástico.

Riesgo de lesiones para el usuario. El cordón de energía debe recibir servicio de ajustes y reparaciones solamente por un Centro de Servicio de Fábrica Bosch o una Estación de Servicio Bosch Autorizada.





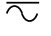


⚠ ADVERTENCIA Cierta cantidad de polvo generado por el lijado, aserrado, amolado y taladrado mecánicos, y por otras actividades de construcción, contiene agentes químicos que se sabe que causan cáncer, defectos de nacimiento u otros daños sobre la reproducción. Algunos ejemplos de estos agentes químicos son:

- Plomo de pinturas a base de plomo,
- Sílice cristalina de ladrillos y cemento y otros productos de mampostería, y
- Arsénico y cromo de madera tratada químicamente.

Su riesgo por causa de estas exposiciones varía, dependiendo de con cuánta frecuencia realice este tipo de trabajo. Para reducir su exposición a estos agentes químicos: trabaje en un área bien ventilada y trabaje con equipo de seguridad aprobado, como por ejemplo máscaras antipolvo que estén diseñadas especialmente para impedir mediante filtración el paso de partículas microscópicas.

Símbolos

Importante: Es posible que algunos de los símbolos siguientes se usen en su herramienta. Por favor, estúdielos y aprenda su significado. La interpretación adecuada de estos símbolos le permitirá utilizar la herramienta mejor y con más seguridad.

Símbolo	Désignación/Explicación
V	Volt (tensión)
A	Ampere (corriente)
Hz	Hertz (frecuencia, ciclos por segundo)
W	Watt (potencia)
kg	Kilogramo (peso)
min	Minuto (tiempo)
s	Segundo (tiempo)
∅	Diámetro (tamaño de las brocas taladradoras, muelas, etc)
n_0	Velocidad sin carga (velocidad rotacional sin carga)
n	Velocidad nominal (máxima velocidad obtenible)
.../min	Revoluciones o alternación por minuto (revoluciones, golpes, velocidad de superficie, órbitas, etc., por minuto)
0	Posición "off" (velocidad cero, par motor cero...)
1, 2, 3, ... I, II, III,	Graduaciones del selector (graduaciones de velocidad, par motor o posición. Un número más alto significa mayor velocidad)
	Selector infinitamente variable con apagado (la velocidad aumenta desde la graduación de 0)
	Flecha (Acción en la dirección de la flecha)
	Corriente alterna (tipo o una característica de corriente)
	Corriente continua (tipo o una característica de corriente)
	Corriente alterna o continua (tipo o una característica de corriente)
	Construcción de clase II (designa las herramientas de construcción con aislamiento doble)
	Terminal de toma de tierra (terminal de conexión a tierra)

Símbolos

Importante: Es posible que algunos de los símbolos siguientes se usen en su herramienta. Por favor, estúdielos y aprenda su significado. La interpretación adecuada de estos símbolos le permitirá utilizar la herramienta mejor y con más seguridad.

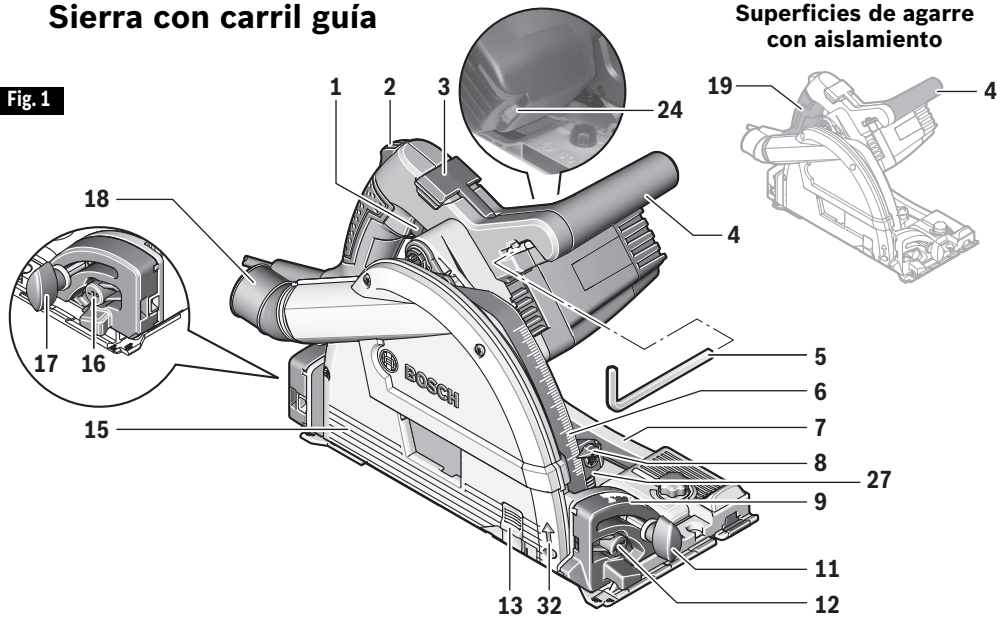
Símbolo	Désignación/Explicación
	Designa el programa de reciclaje de baterías de Li-ion.
	Designa el programa de reciclaje de baterías de Ni-Cd.
	Alerta al usuario para que lea el manual.
	Alerta al usuario para que use protección de los ojos.
	Este símbolo indica que esta herramienta está catalogada por Underwriters Laboratories.
	Este símbolo indica que este componente está reconocido por Underwriters Laboratories.
	Este símbolo indica que Underwriters Laboratories ha catalogado esta herramienta indicando que cumple con las normas estadounidenses y canadienses.
	Este símbolo indica que esta herramienta está catalogada por la Canadian Standards Association.
	Este símbolo indica que la Canadian Standards Association ha catalogado esta herramienta indicando que cumple con las normas estadounidenses y canadienses.
	Este símbolo indica que Intertek Testing Services ha catalogado esta herramienta indicando que cumple con las normas estadounidenses y canadienses.
	Este símbolo indica que esta herramienta cumple con la norma mexicana oficial (NOM).

Familiarización con la sierra

⚠ ADVERTENCIA Desconecte el enchufe de la fuente de energía antes de realizar cualquier ensamblaje o ajuste, o cambiar accesorios. Estas medidas de seguridad preventivas reducen el riesgo de arrancar la herramienta accidentalmente.

Sierra con carril guía

Fig. 1



- | | | |
|---|---|--|
| 1 Interruptor de encendido y apagado | 11 Pomo de ajuste de bisel delantero | 26 Eje para la hoja* |
| 2 Botón de fijación en apagado (para el interruptor de encendido y apagado) | 12 Botón para el ángulo de bisel de 47° | 27 Deslizador del tope de profundidad |
| 3 Palanca de fijación de profundidad | 13 Ventana de visualización | 28 Guía de línea de 0° * |
| 4 Mango auxiliar (superficie de agarre con aislamiento) | 14 Tope-guía para cortar al hilo** | 29 Guía de línea de 45° * |
| 5 Llave hexagonal | 15 Protector de la hoja | 30 Inserto de plástico* |
| 6 Escala de profundidad de corte | 16 Botón para el ángulo de bisel de -1° | 31 Pomos de alineación estriados* |
| 7 Placa-base (placa de la base) | 17 Pomo de fijación de bisel trasero | 32 Flecha de sentido de rotación |
| 8 Indicador de profundidad de corte | 18 Orificio para polvo giratorio | 33 Guía de borde recto* |
| 9 Escala de bisel | 19 Asa (superficie de agarre con aislamiento) | 34 Manguera de aspiración * ** |
| 10 Perno de mariposa para el tope-guía para cortar al hilo** | 20 Espárrago de la hoja* | 35 Marca delantera de límite de corte* |
| | 21 Arandela externa* | 36 Marca trasera de límite de corte* |
| | 22 Hoja de sierra* ** | |
| | 23 Arandela interna* | |
| | 24 Dial de velocidad | |
| | 25 Botón de fijación del eje* | |

* No se muestra. Vea más en estas instrucciones de utilización.

** Vendido por separado

Especificaciones

Modelo	GKT13-225
Hoja	6-1/2 pulg. (165 mm)
Agujero de eje porta-herramienta de la hoja	20mm Redondo
Grosor de los dientes	0.1" (2.6mm)* *Mínimo 0.07 pulg. (1.8mm)
Grosor de la hoja	0.07 pulg. (1.8mm) Máximo
Profundidad de corte a 90°	2-1/4 pulg. (57mm) Máximo
Profundidad de corte a 45°	1.65 pulg. (42mm) Máximo
Profundidad de corte a 47°	1.6 pulg. (40.8mm) Máximo

NOTA: Para obtener las especificaciones de la herramienta, consulte la placa del fabricante colocada en la herramienta.

Certificada conforme a

CAN/CSA C22.2 No. 62841-2-5-16
UL 62841-2-5 (Ed.1)

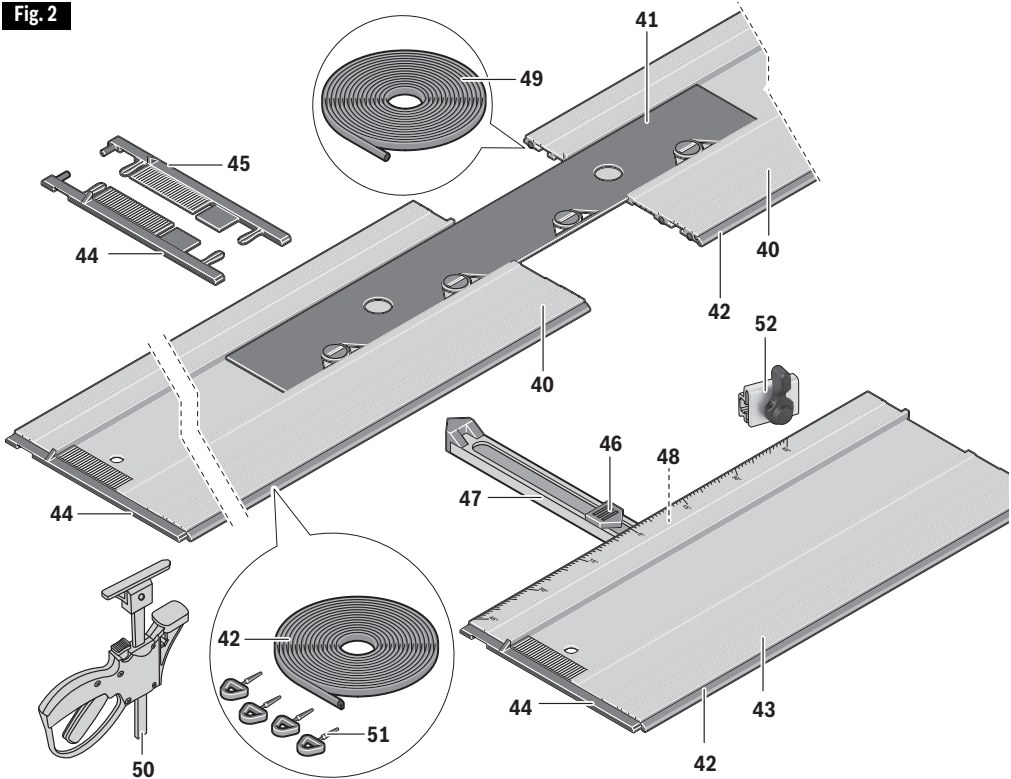
en combinación con

CAN/CSA C22.2 No. 62841-1-15
UL 62841-1 (Ed.1)

Incluyendo la evaluación de fábrica inicial de CSA

Familiarización con el carril guía

Fig. 2



- | | | |
|------------------------------|-----------------------------------|--------------------------------------|
| 40 Carril guía | 45 Tapa de extremo derecha | 49 Franja de tracción |
| 41 Conector para carril guía | 46 Indicador de ángulo de inglete | 50 Abrazaderas para carril guía (x2) |
| 42 Borde antiastillas | 47 Tope-guía | 51 Espigas |
| 43 Guía de inglete | 48 Pomo de fijación de inglete | 52 Tope de recorrido |
| 44 Tapa de extremo izquierda | | |

Ensamblaje de la sierra

► Reemplazo de la hoja

⚠ ADVERTENCIA Desconecte el enchufe de la fuente de energía antes de realizar cualquier ensamblaje o ajuste, o cambiar accesorios. Estas medidas de seguridad preventivas reducen el riesgo de arrancar la herramienta accidentalmente.

⚠ ADVERTENCIA Utilice únicamente una hoja de 6-1/2 pulgadas con capacidad nominal de 6250/min (RPM) o mayor. No use ruedas abrasivas. La utilización de una hoja que no esté diseñada para la sierra puede causar lesiones corporales graves y daños materiales. La llave hexagonal 5 se almacena en el mango auxiliar (Fig. 1).

Ensamblaje de la sierra

▼ RETIRADA DE LA HOJA

- Comprima el deslizador del tope de profundidad **27** y muévalo completamente hacia abajo (Fig. 1). Para cambiar la hoja, lo mejor es apoyar la sierra sobre el lado de la carcasa del motor (Fig. 3).
- Pivote la palanca **3** hacia la parte delantera (Fig. 3).
- Empuje el botón de fijación en apagado **2** hacia la parte delantera y presione la sierra hacia la placa-base **7** hasta que se acople audiblemente en la posición correcta para cambiar la hoja de sierra (el espárrago de la hoja **20** o el eje para la hoja **26** es accesible a través de la ventana ubicada en el protector de la hoja **15**).
- Presione y mantenga presionado el botón de fijación del eje **25**.

Nota: El botón de fijación del eje **25** solamente se podrá accionar cuando la sierra esté inmóvil. De lo contrario, la sierra puede resultar dañada.

- Con la llave hexagonal **5**, afloje el espárrago de la hoja **20** girando en el sentido de rotación **b** (en sentido contrario al de las agujas del reloj).
- Retire la arandela externa **21** y la hoja de sierra **22** del eje para la hoja **26**.

▼ INSTALACIÓN DE LA HOJA

- Asegúrese de que la hoja de sierra **22** de repuesto y las arandelas **21** y **23** estén limpias. Coloque la hoja de sierra **22** sobre la arandela interna **23**. Asegúrese de que los dientes de la hoja de sierra y la flecha **36** ubicada en la hoja apunten en el mismo sentido que la flecha **32** que se encuentra el protector de la hoja **15**.
- Monte la arandela externa **21** y enrosque el espárrago de la hoja **20** en el eje para la hoja **26** girándolo en el sentido rotación **a** (sentido de las agujas del reloj). Observe la posición de montaje correcta de la pestaña de montaje **23** y la pestaña de fijación **21**.
- Presione y mantenga presionado el botón de fijación del eje **25**. Apriete primero con los dedos el espárrago de

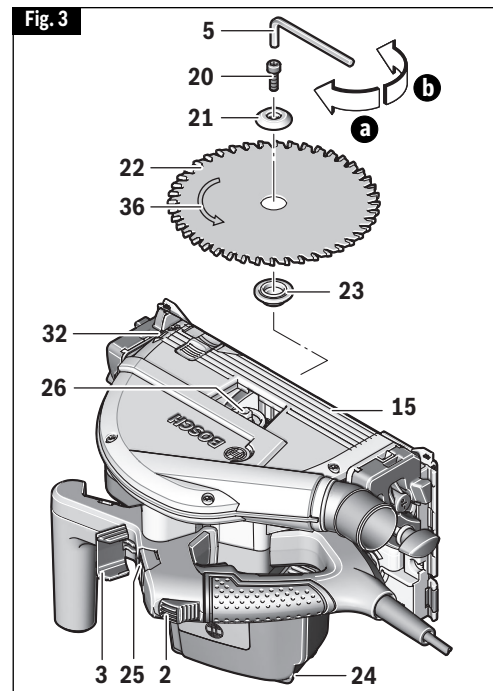
la hoja **20**, y luego con la llave hexagonal **5**, apriete el espárrago de la hoja **20** 1/8 de vuelta (45°) en el sentido de rotación **a** (sentido de las agujas del reloj).

Nota: No utilice llaves de tuerca que tengan mangos más largos, ya que es posible que causen sobreapriete del espárrago de la hoja.

- Pivote hacia atrás la palanca de fijación de profundidad **3**. Cuando haga esto, la sierra se retraerá de vuelta a la posición de comienzo.

▼ EMBRAGUE DE PAR MOTOR VARIABLE

Esta acción de embrague es proporcionada por la fricción de la arandela exterior **21** contra la hoja **22** y permite que el eje de la hoja **26** gire cuando la hoja encuentra una resistencia excesiva. Cuando el espárrago de la hoja **20** está apretado adecuadamente (tal como se describe en el No. 1 de Colocación de la hoja), la hoja patinará



Ensamblaje de la sierra

al encontrar una resistencia excesiva, por lo que reducirá la tendencia de la sierra al retroceso.

Una posición de ajuste puede no ser suficiente para cortar todos los ma-

teriales. Si la hoja patina demasiado, apriete el perno de la hoja una fracción de vuelta más (menos de 1/8 de vuelta). EL APRETAR EXCESIVAMENTE EL PERNO DE LA HOJA ANULA LA EFICACIA DEL EMBRAGUE.

Ensamblaje del carril guía

▼ ADAPTACIÓN DE LA PLACA-BASE A DIVERSOS CARRILES GUÍA

La GKT13-225 está diseñada específicamente para realizar cortes de precisión rectos mientras se utiliza un carril para guiarla.

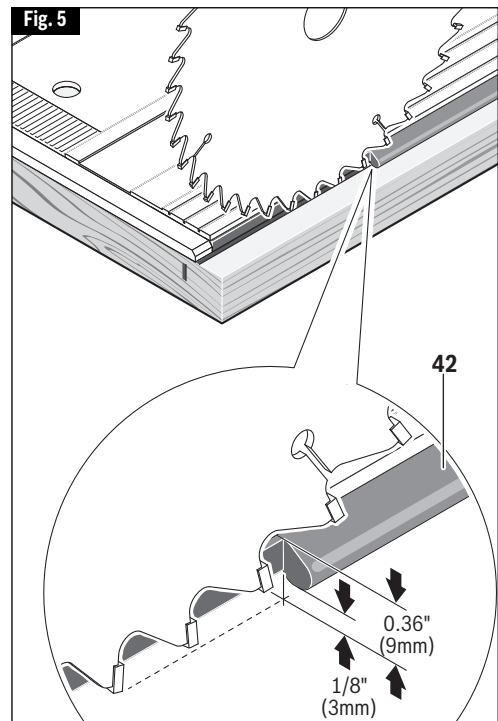
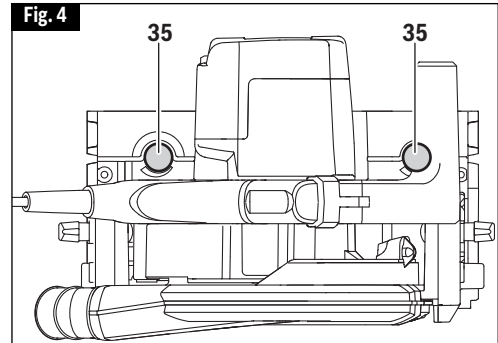
Los carriles guía Bosch (vendidos por separado) están disponibles en cinco tamaños:

FSN800	31.5 pulg. (800 mm)
FSN1100	43.3 pulg. (1100 mm)
FSN1600	63 pulg. (1600 mm)
FSN2100	82.7 pulg. (2100 mm)

▼ PREPARACIÓN DEL CARRIL GUÍA

Antes de utilizar un carril guía por primera vez, el borde antiastillas de caucho **42** del carril guía se debe adaptar a la sierra específica y la hoja específica que se vayan a utilizar.

- Coloque la longitud completa del carril guía sobre una pieza de trabajo de desecho que tenga al menos 3/4 de pulgada (19 mm) de grosor.
- Fije firmemente los carriles guía tal y como se describe adicionalmente en "FIJACIÓN DE LOS CARRILES GUÍA".
- Coloque la sierra sobre los carriles guía y ajuste la precisión de su encaje utilizando los dos pomos de alineación estriados **35** (Fig. 4).
 - La rotación de los pomos en el sentido de las agujas del reloj aprieta el ajuste de la placa-base de la sierra sobre el riel guía del carril guía
 - La rotación de los pomos en sentido contrario al de las agujas del reloj afloja el ajuste de la placa-base de la sierra sobre el riel de guía del carril guía.
- Mueva el indicador de profundidad

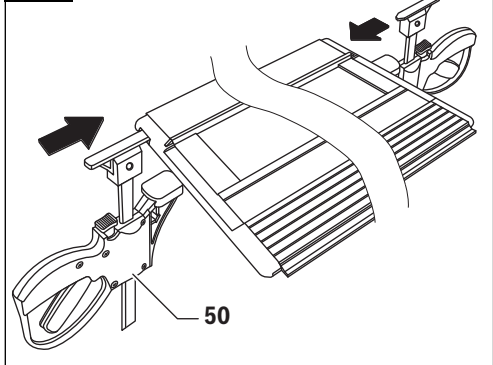


de corte **8** hasta su posición superior (vea la Fig. 21).

Ensamblaje del carril guía

- E. Asegúrese de que el indicador de profundidad de corte **8** esté en la posición **b** (Fig. 21)
- F. Ajuste la profundidad de corte de la sierra aproximadamente a 0,36 pulgadas (9 mm) y el ángulo de bisel a 0°. Esto hará que la hoja sobresalga 1/8 de pulgada (3 mm) por debajo del borde antiastillas.
- G. Siguiendo las instrucciones de la sección "ENCENDIDO Y APAGADO" que se encuentra en la página 74, encienda la sierra y guíela uniformemente con una velocidad de avance lenta hasta el final del carril guía.

Fig. 6

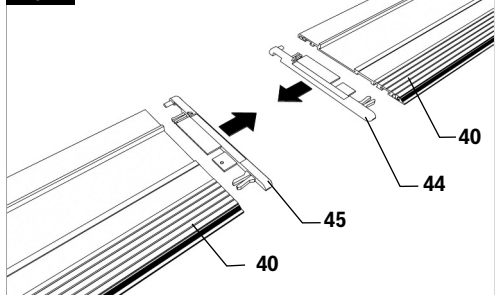


▼ FIJACIÓN DE LOS CARRILES GUÍA

⚠ ADVERTENCIA Para evitar el riesgo de lesiones y / o daños materiales, utilice únicamente las abrazaderas para carril guía para sujetar firmemente dicho carril.

Una vez que el carril guía haya sido colocado en la posición deseada, inserte una abrazadera para carril guía **50** desde cada extremo del carril guía y luego apriete las abrazaderas contra la pieza de trabajo (Fig. 6).

Fig. 7



▼ TAPAS DE EXTREMO PROTECTORAS

Estas tapas ayudan a proteger los extremos de los carriles guía contra los daños, por ejemplo cuando se caen sobre sus extremos. Las tapas izquierda **44** y derecha **45** NO son intercambiables. Si una o ambas tapas de extremo resultan dañadas, simplemente deberán ser reemplazadas.

▼ CONEXIÓN DE MÚLTIPLES CARRILES GUÍA

- A. Jale hacia fuera las tapas de extremo **44** y **45** desde los extremos que se enfrentan de los carriles guía **40** que se vayan a conectar. Almacene las tapas de extremo en un lugar seguro (Fig. 7).
- B. Inserte el conector **41** en uno de los carriles guía **40** de la manera que se muestra en la ilustración y luego deslice otro carril guía sobre el otro extremo del conector (Fig. 8).

Fig. 8

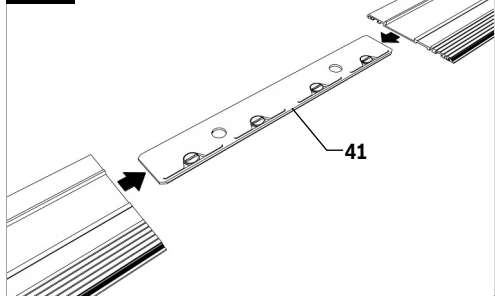
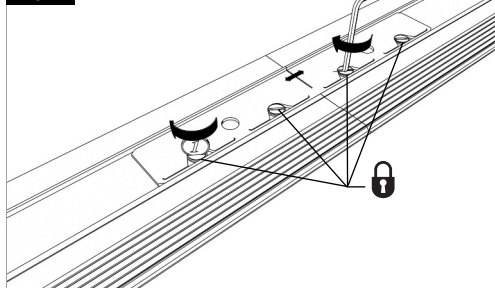


Fig. 9



Ensamblaje del carril guía

- C. Asegúrese de que los carriles guía no tengan holguras entre ellos. Mueva el conector **41** de manera que la marca central “ $\leftarrow|\rightarrow$ ” esté posicionada en la línea de unión. Gire los cuatro cierres con un destornillador o una moneda para fijar la conexión (Fig. 9)

▼ GUÍA DE INGLETE

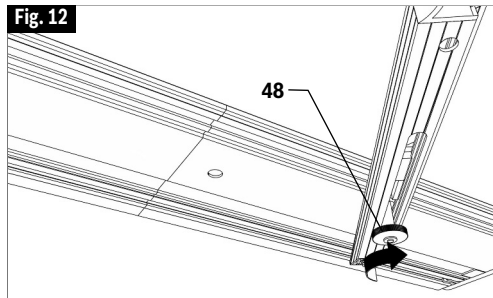
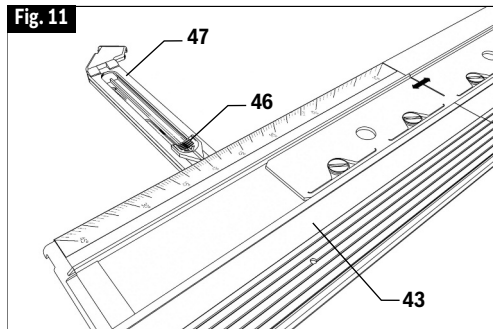
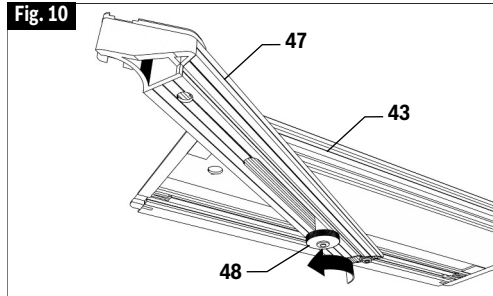
La guía de inglete **43** (vendida por separado) se puede utilizar para posicionar con precisión un carril guía desde 60° a la izquierda hasta 45° a la derecha.

La guía de inglete se debe posicionar en el extremo delantero del carril guía.

- Afloje el pomo **48** ubicado en la parte inferior de la guía de inglete (Fig. 10).
- Siga las instrucciones indicadas en “Conexión de múltiples carriles guía” para fijar la guía de inglete al carril guía deseado utilizando el conector **41**.
- Utilice el tope-guía **47** para ajustar el ángulo deseado. A medida que se mueve el tope-guía, el indicador **46** muestra el ángulo (Fig. 11).
- Una vez que se haya ajustado el ángulo, apriete el pomo **48** ubicado en la parte inferior de la guía de inglete para mantenerla en ese ángulo (Fig. 12).
- Posicione el tope-guía y el carril guía conectado de manera que el tope-guía descansa contra la pieza de trabajo.
- Una vez que la guía de inglete y el carril guía conectado se hayan posicionado de la manera deseada, fije en la posición correcta la guía de inglete y el carril guía conectado (consulte “Fijación de los carriles guía”).

▼ FRANJAS DE TRACCIÓN

Es importante que las dos franjas tipo caucho ubicadas en la parte inferior de los carriles guía mantengan su capacidad para minimizar la posibilidad de que dichos carriles se muevan durante un corte. Si una o ambas franjas se desgastan, deberán ser reemplazadas. El rollo de franja de tracción mide 11 pies (3,35 m) de largo.



- Jale hacia fuera ambas tapas de extremo **44** y **45** retire las franjas desgastadas (Fig. 13).
- Desenrolle y corte dos tramos de franja de tracción **49** que sean un 1% más largos que la longitud del carril guía. P. ej., para el FSN800, la longitud del carril guía deberá ser de 80,8 cm/31,8 pulgadas (Fig. 13).
- Ponga un ligero recubrimiento de jabón sobre la franja nueva para hacer que se deslice más fácilmente hacia el interior de las ranuras ubicadas en el lado inferior de los carriles guía. Jale la franja a través de la ranura hasta el

Ensamblaje del carril guía

extremo alejado del carril guía. Corte y retire las franjas que sobren (Fig. 14).

- D. Reinserte ambas tapas de extremo **44** y **45**.

▼ TOPE DE RECORRIDO PARA EL CARRIL GUÍA

El tope de recorrido **52** (vendido por separado) se puede utilizar para limitar el intervalo de recorrido (distancia de corte) de la sierra sobre un carril guía. El tope se puede usar para ayudar a ajustar la ubicación de inicio del corte por inmersión o el punto final del corte.

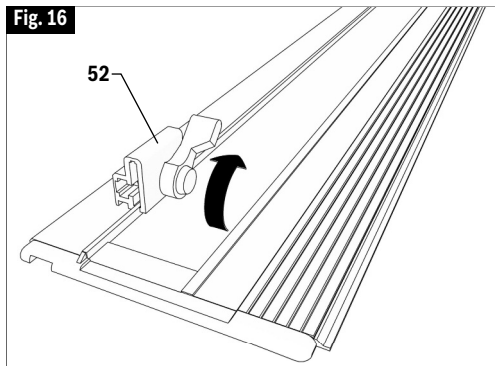
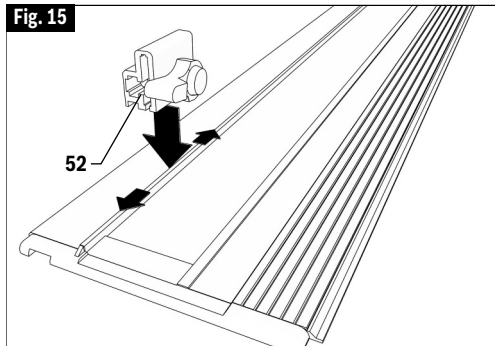
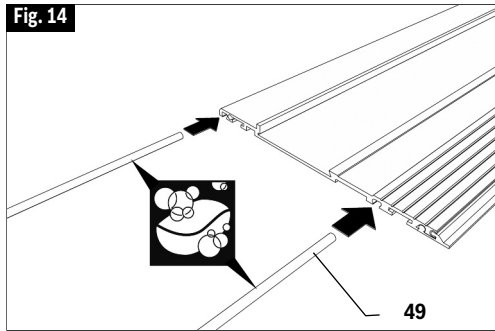
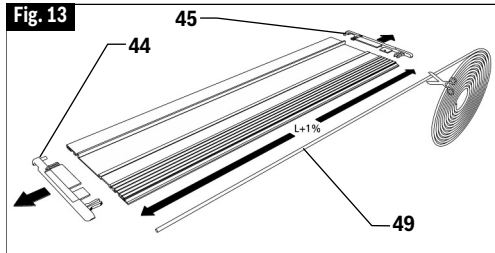
- Alinee el carril guía a lo largo de la línea de corte prevista y fíjelo con abrazaderas en la posición correcta tal y como se describe en "Fijación de los carriles guía" en la página 68.
- Oriente el tope sobre el carril guía de la manera que se muestra en la ilustración (Fig. 15).
- Determine el punto de inicio o el punto final deseado para el corte.
- Posicione la sierra de manera que se asiente en la posición correcta donde se supone que el corte por inmersión empezará o acabará.
- Una vez que la sierra esté colocada en la ubicación deseada, apriete el tope **52** en la posición correcta utilizando su palanca (Fig. 16).

Mueva la sierra hacia delante para continuar el corte hasta el punto final deseado. Cuando se alcance el punto final deseado, jale el cabezal de la sierra hacia arriba y se retraerá hasta la posición de comienzo, y el mecanismo de inmersión quedará bloqueado de nuevo.

▼ BORDE ANTIASILLAS

Para minimizar el astillamiento de la pieza de trabajo, si un borde está desgastado deberá ser reemplazado. El borde antiastillas viene en un rollo que mide 11 pies (3,35 m) de largo y se puede cortar con el tamaño deseado para cualquier carril guía dado.

- Jale hacia fuera ambas tapas de



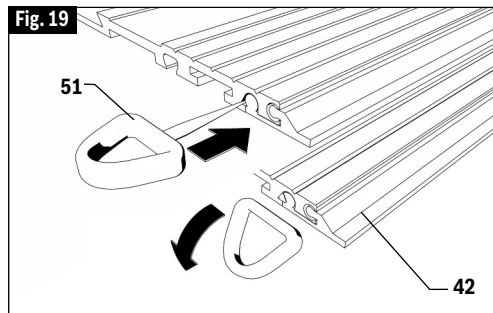
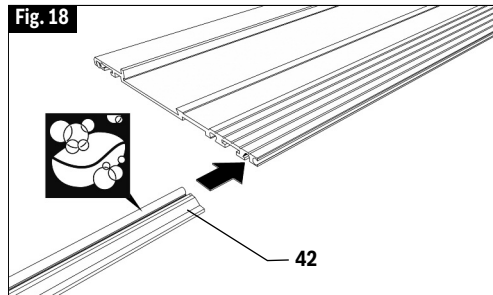
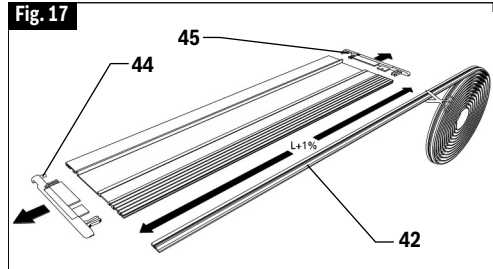
Ensamblaje del carril guía

extremo **44** y **45** y retire el borde antiastillas desgastado (Fig. 17).

- B. Desenrolle y corte un tramo del borde antiastillas **42** que sea un 1 % más largo que la longitud del carril guía. P. ej., para el FSN800 la longitud de la franja deberá ser de 80,8 cm/31,8 pulgadas (Fig. 17).
- C. Ponga un ligero recubrimiento de jabón sobre la franja nueva para hacer que se deslice más fácilmente por el interior de las ranuras ubicadas en el lado inferior del carril guía (Fig. 18).
- D. Jale el borde a través de la ranura hasta el extremo alejado del carril guía. Corte y retire las franjas que sobren. Para ayudar a evitar que la franja antiastillas se mueva, presione una de las espigas **51** hacia el interior del carril guía junto a la franja en cada extremo. Doble el mango de la espiga hacia abajo para romper dicho mango (Fig. 19).
- E. Reinserte las tapas de extremo **44** y **45**.
- F. Consulte la sección “Preparación del carril guía” en la página 67 acerca de adaptar el borde antiastillas a una sierra y una hoja dadas.

▼ BOLSA DE TRANSPORTE

La robusta bolsa acepta dos carriles guía FSN1600 (o más cortos) y tiene un bolsillo para un conector y/o un par de abrazaderas rápidas para carril guía.



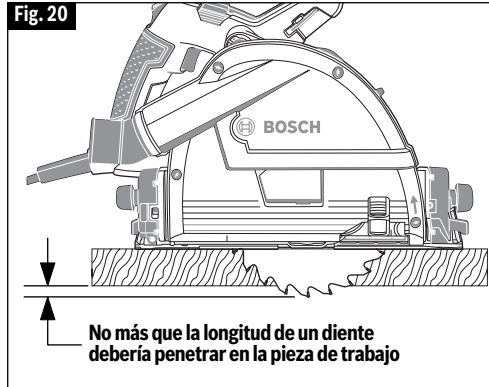
Instrucciones de funcionamiento

► Ajuste de profundidad

⚠ ADVERTENCIA Para reducir el riesgo de lesiones, no más que la longitud de un diente de la hoja debería sobresalir por debajo del material que se vaya a cortar.

- Desconecte el enchufe de la fuente de alimentación.
- Gire el indicador de profundidad de corte **8** hasta la posición inferior **a** para aserrar sin carril guía, o hasta la posición superior **b** para aserrar con carril guía (Fig. 21).
- Comprima el deslizador del tope de profundidad **27** y muévalo hasta la profundidad deseada (el grosor del material más la longitud de un diente) en la escala de profundidad **6** (Fig. 22).

Fig. 20



Nota: Un ajuste de profundidad correcto también puede reducir el astillamiento.

Fig. 21

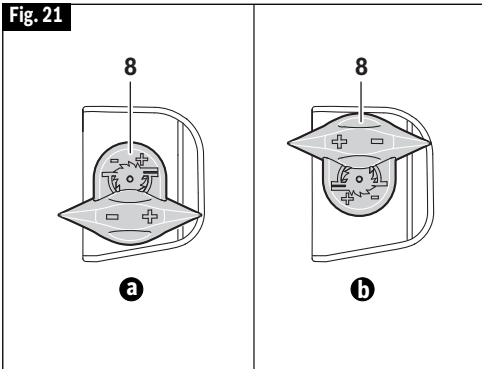
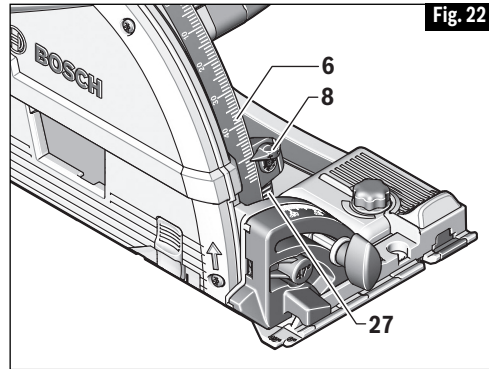


Fig. 22



► Ajuste de bisel

⚠ ADVERTENCIA Debido al aumento en la cantidad de acoplamiento de la hoja en la pieza de trabajo y a la disminución en la estabilidad de la base, se puede producir atasco de la hoja. Mantenga la sierra estable y la base firme sobre la pieza de trabajo.

- Afloje los pomos **11** y **17**. Incline la sierra hacia un lado (Fig. 1).
- Ajuste la sierra al ángulo de bisel deseado en la escala **9**. Apriete de nuevo los pomos **11** y **17**.

El ángulo de bisel de la sierra se puede ajustar a -1° o $+47^\circ$.

Para el ángulo de bisel de -1° , presione adicionalmente el botón **16** mientras inclina la sierra, o para el ángulo de bisel de $+47^\circ$, presione el botón **12** mientras inclina la sierra (Fig. 1).

Nota: Para hacer cortes en bisel, la profundidad de corte es más pequeña que el ajuste indicado en la escala de profundidad de corte **6**.

Nota: Antes de hacer cortes en bisel, retraiga la ventana de visualización transparente **13** completamente hacia arriba.

Instrucciones de funcionamiento

► Guías de línea de corte

La guía de línea de corte de 0° **28** indica la posición de la hoja de sierra para realizar cortes rectos tanto si se utiliza un carril guía como se no se utiliza. Cuando se utiliza un carril guía, dicha guía indica la posición de la hoja en cualquier ángulo de bisel. La guía de línea de 45° **29** indica la posición de la hoja de sierra para realizar cortes en bisel de 45° cuando no se utiliza el carril guía (Fig. 23).

- El punto más hacia atrás de un corte por inmersión de profundidad completa es indicado por la marca de límite de corte fundida con la pieza **36** (Fig. 23).
- El punto más hacia delante de un corte por inmersión de profundidad completa es indicado por la marca delantera roja de límite de corte **35** ubicada en la ventana de plástico transparente (Fig. 23).

► Control del polvo y las virutas

El orificio para polvo **18** de la sierra gira, con lo cual permite que el polvo salga en el sentido deseado.

▼ EXTRACCIÓN DE POLVO

El orificio para polvo **18** también aceptará las típicas boquillas tipo caucho de las mangueras de aspiradora de 35 mm, tales como la VX120 que se incluye con las mangueras Bosch Serie VF.

Para conectar la sierra a una manguera de 1-1/4 o 1-1/2 pulgadas, se puede usar el adaptador Bosch VAC024 (vendido por separado).

Conecte el otro extremo de la manguera a un extractor de polvo adecuado.

El extractor de polvo o la aspiradora deben ser adecuados para el tipo de polvo que se generará al aserrar la pieza de trabajo.

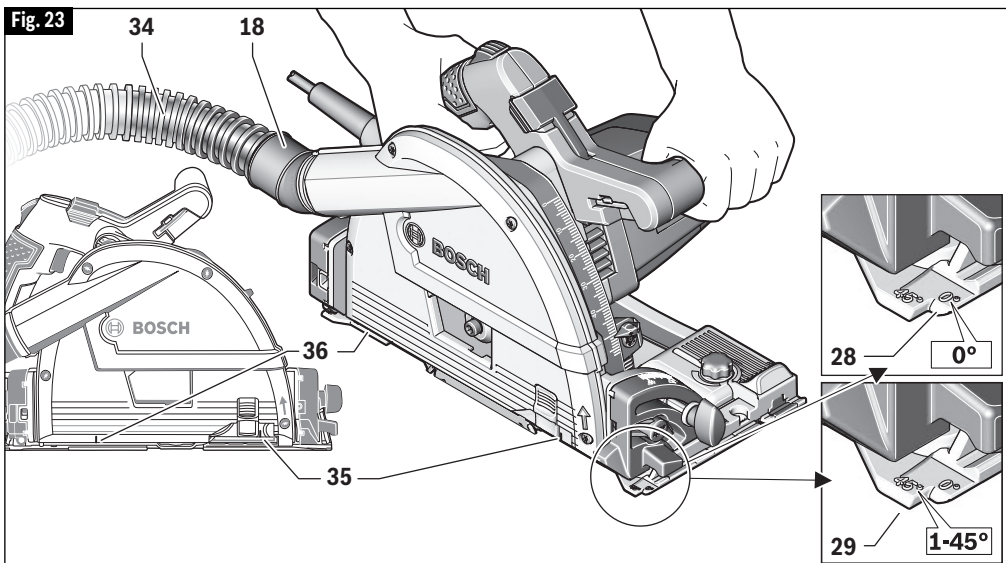
► Operaciones básicas

⚠ ADVERTENCIA Cuando ponga en marcha la herramienta, agárrela con las dos manos. La fuerza de torsión del motor puede hacer que la herramienta se tuerza.

▼ SELECCIÓN DE VELOCIDAD

La velocidad requerida se puede preseleccionar con el dial de velocidad **24** antes de utilizar la herramienta (Fig. 1).

La velocidad requerida depende de la hoja de sierra que se esté utilizando y del material que se esté cortando



Instrucciones de funcionamiento

(consulte la información general sobre hojas de sierra que se encuentra al final de estas instrucciones de uso).

▼ ENCENDIDO Y APAGADO

Para poner en marcha la máquina, presione el botón de fijación en apagado para el interruptor de encendido y apagado **2** y luego presione el interruptor de encendido y apagado **1** y manténgalo presionado.

El accionamiento del botón de fijación en apagado **2** libera el dispositivo de inmersión al mismo tiempo y permite empujar la sierra hacia abajo. Esto hace que la hoja de sierra se sumerja en la pieza de trabajo. Al jalar hacia arriba, la sierra se retrae hasta la posición de comienzo y el dispositivo de inmersión queda bloqueado de nuevo.

Para apagar la máquina, suelte el botón de encendido y apagado **1**.

Nota: Por motivos de seguridad, el interruptor de encendido y apagado **1** no se puede bloquear en la posición de encendido; debe permanecer presionado durante toda la operación.

La sierra deberá estar funcionando a la velocidad máxima deseada ANTES de comenzar el corte y se debe apagar solamente DESPUÉS de completar el corte. Para aumentar la vida útil del interruptor, no encienda y apague la sierra mientras está cortando.

▼ ARRANQUE SUAVE

La función de arranque suave limita el consumo de energía al encender la herramienta y permite que la misma funcione con un fusible de 13 A.

▼ CONTROL ELECTRÓNICO CONSTANTE

El control electrónico constante mantiene la velocidad constante sin carga y con carga, y ayuda a asegurar un rendimiento de trabajo uniforme.

► Instrucciones generales de corte

⚠ ADVERTENCIA Después de completar un corte y haber soltado el gatillo, tenga

presente el tiempo necesario que se toma para que la hoja se detenga por completo durante la desaceleración. Tenga cuidado con la exposición de la hoja.

Agarre siempre el asa de la sierra con una mano y el mango auxiliar o la carcasa con la otra.

Asegúrese de que la pieza de trabajo esté firmemente sujeta con abrazaderas.

Mantenga un agarre firme y opere el interruptor con una acción decisiva. No fuerce nunca la sierra. Utilice una presión ligera y continua.

Deje siempre que la hoja alcance la velocidad máxima (tal y como se haya ajustado en el dial de velocidad) antes de que la hoja entre en contacto con la pieza de trabajo. A menos que se requiera un corte por inmersión, baje la hoja de sierra hasta la profundidad preajustada antes de mover la sierra hacia delante y hacia la pieza de trabajo.

Cuando se interrumpa el corte, para reanudar la operación de corte: comprima el gatillo y deje que la hoja alcance su velocidad máxima, reingrese lentamente en el corte y reanude la operación de corte.

Al cortar transversalmente a la veta, las fibras de la madera tienen tendencia a desgarrarse y levantarse. Al hacer avanzar la sierra lentamente se minimiza

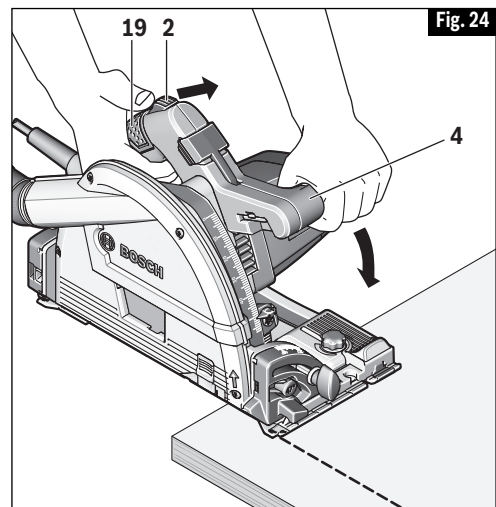


Fig. 24

Instrucciones de funcionamiento

este efecto. Para realizar un corte de acabado, se recomienda una hoja de corte transversal o una hoja ingletadora.

▼ CORTE SIN ACCIÓN DE INMERSIÓN

Agarre firmemente la herramienta con las dos manos (una mano en el asa principal **19** y la otra mano en el mango auxiliar **4**).

Ajuste la parte delantera de la placa-base sobre la pieza de trabajo que se vaya a cortar, sin que la hoja haga ningún contacto (asegúrese de que la hoja no haga contacto con la pieza de trabajo hasta después de que sea empujada hacia abajo hasta su profundidad de corte preajustada).

Presione el botón de fijación en apagado **2** y presione el interruptor de encendido y apagado **1** para encender la herramienta.

Espera hasta que la hoja alcance su velocidad máxima y presione lentamente hacia abajo el cabezal de la sierra hasta la profundidad preajustada (Fig. 24).

Empuje la sierra lentamente hacia delante sobre la superficie de la pieza de trabajo, manteniéndola plana y avanzando suavemente hasta que se haya completado el aserrado.

Al final del corte, suelte el interruptor de encendido y apagado y espere hasta que la hoja de sierra se detenga por completo

antes de jalar el cabezal de la sierra hacia arriba (se retraerá hasta la posición de comienzo y el mecanismo de inmersión quedará bloqueado de nuevo).

Nota: Si el corte no siguió correctamente la línea de corte prevista, NO intente empujar la sierra de vuelta a la línea de corte prevista. Si lo hace, es posible que atore la hoja y produzca un retroceso peligroso y posibles lesiones graves. Suelte el interruptor de encendido y apagado, espere a que la hoja se detenga por completo y luego retire la sierra. Realinee la sierra sobre una línea de corte nueva, encienda la herramienta, espere a que la hoja alcance su velocidad máxima y luego comience a cortar de nuevo.

► Consejos para trabajar

Proteja las hojas de sierra contra los impactos y los golpes.

Guíe la máquina de manera uniforme y con un avance ligero en el sentido de corte.

Un avance excesivo reduce significativamente la vida de servicio de la hoja de sierra y puede causar daños a la sierra.

El rendimiento de aserrado y la calidad de corte dependen esencialmente del

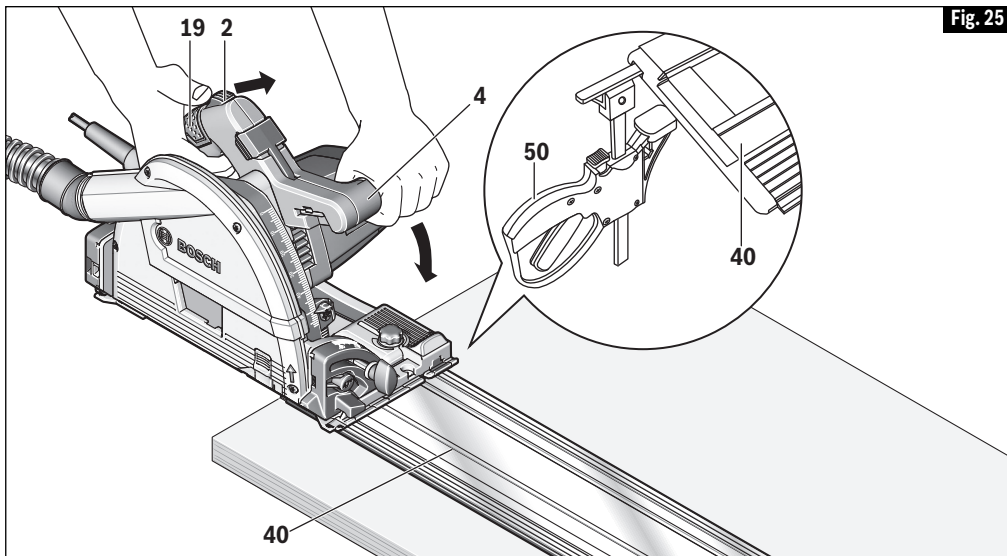


Fig. 25

Instrucciones de funcionamiento

estado y el perfil de los dientes de la hoja de sierra. Por lo tanto, utilice únicamente hojas de sierra afiladas que sean adecuadas para el material que se vaya a cortar.

▼ ASERRADO DE MADERA

La selección correcta de la hoja de sierra depende del tipo y la calidad de la madera y de si se requieren cortes longitudinales o transversales.

Cuando corte picea longitudinalmente, se formarán virutas espirales largas.

El polvo de haya y de roble es especialmente perjudicial para la salud. Por lo tanto, deberá trabajar solamente con extracción de polvo.

▼ ASERRADO DE OTROS MATERIALES

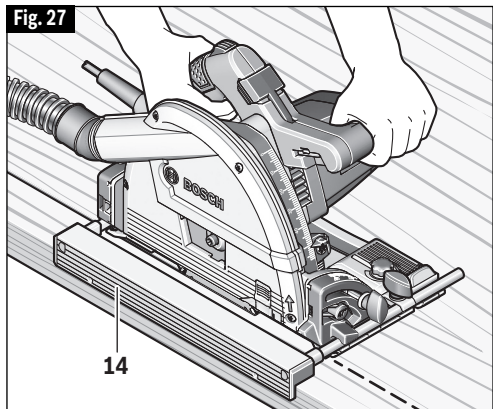
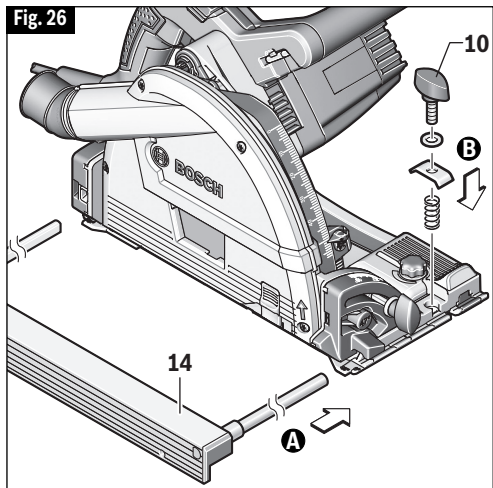
Las instrucciones para cortar madera también se pueden usar para cortar materiales de plástico estructuralmente estables. Cuando corte materiales de plástico, haga siempre un corte de prueba para comprobar si la sierra hace que el material se derrita. Si es necesario, ajuste la velocidad de corte y/o la velocidad de avance según sea necesario para minimizar el derretimiento.

Esta sierra no está diseñada para cortar metal ni mampostería.

► Aserrado de precisión con carril guía

La GKT13-225 está diseñada específicamente para realizar cortes de precisión rectos mientras se utiliza un carril para guiarla (Fig. 25).

- Asegúrese de que el carril guía **40** esté preparado, posicionado y sujeto con abrazaderas de la manera que se muestra en la sección "Preparación del carril guía" que se encuentra en la página 67.
- Asegúrese de que la placa-base de la sierra esté colocada correctamente sobre el carril guía.
- Tenga cuidado adicional cuando coloque la sierra sobre la parte de un carril guía que sobresalga del borde de entrada o de salida de la pieza de trabajo.



- Cuando comience un corte hacia dentro desde los bordes de entrada de la pieza de trabajo, siga las instrucciones de la sección "Corte por inmersión" que se encuentra más adelante.
- Antes de retirar la sierra del carril guía, suba el cabezal de la sierra y retraiga la hoja primero y deje que se detenga por completo.

► Aserrado con el tope-guía para cortar al hilo

El tope-guía para cortar al hilo **14** (vendido por separado) permite realizar cortes exactos a lo largo del borde de la pieza de trabajo y cortar franjas de la misma dimensión.

Instrucciones de funcionamiento

- Deslice las varillas guía del tope-guía para cortar al hilo **14** a través de las guías ubicadas en la placa-base **7**.
- Monte los ensamblajes de perno de mariposa **10** en ambos extremos de la manera que se muestra en la ilustración, pero no apriete todavía los pernos de mariposa (Fig. 26).
- Ajuste la anchura de corte deseada como el valor de la escala en las respectivas guías de línea **32** o **33**, consulte la sección "Guías de línea de corte".
- Apriete los pernos de mariposa **10**.

► Aserrado con una guía de borde recto

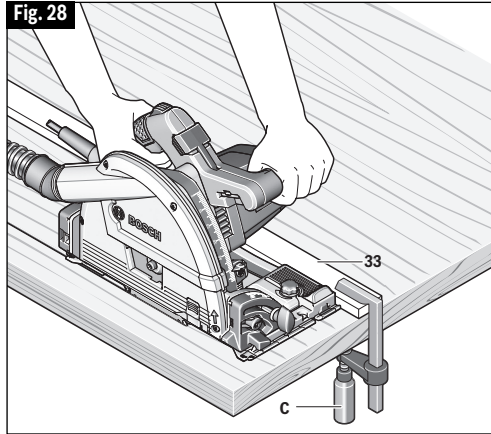
Para aserrar piezas de trabajo grandes o bordes rectos, se puede sujetar una tabla o una franja con la abrazadera **C** (vendida por separado) a la pieza de trabajo como guía de borde recto. La placa-base de la sierra circular se puede guiar a lo largo de la guía de borde recto **33** (Fig. 28).

- La guía de borde recto deberá estar posicionada de manera que el lado de la sierra donde está el motor se desplace contra ella al cortar la línea deseada.
- Cuanto más profundo sea el corte, más delgada deberá ser la guía de borde recto, debido a que la holgura debajo del motor a lo largo del lado de la base donde está el motor es muy limitada.
- Asegúrese de que las abrazaderas no interfieran con el movimiento libre de la sierra.

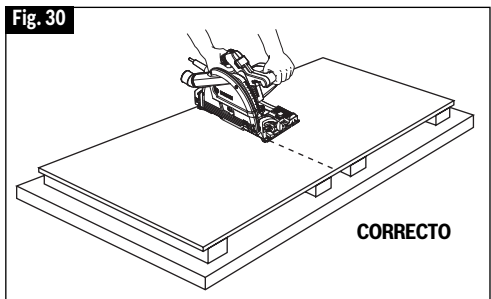
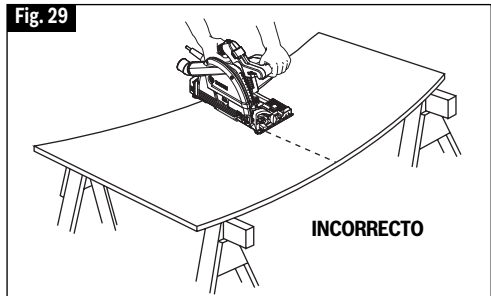
► Corte de planchas grandes

Las planchas grandes y los tableros largos se comban o se doblan según el apoyo. Si usted intenta cortar sin nivelar y sin apoyar la pieza adecuadamente, la hoja tenderá a atascarse, produciendo RETROCESO y una sobrecarga en el motor (Fig. 29).

Tanto si se está utilizando un carril guía para realizar el corte como si no, soporte el panel o la tabla cerca del corte, de la manera que se muestra en la Fig. 30.



Asegúrese de ajustar la profundidad de corte para cortar la plancha o el tablero solamente y no la mesa o el banco de trabajo. Las tablas de dos por cuatro pulgadas utilizadas para elevar y apoyar la pieza de trabajo deben colocarse de manera que los lados más anchos soporten la pieza de trabajo y descansen en la mesa o en el banco. No apoye la pieza de trabajo en los lados estrechos, ya que esta disposición es inestable. Si la plancha o el tablero a cortar es



Instrucciones de funcionamiento

demasiado grande para una mesa o un banco de trabajo, utilice las tablas de apoyo de dos por cuatro pulgadas sobre el suelo y fije la pieza de trabajo.

► Cortes por inmersión

⚠ ADVERTENCIA No realice un corte por inmersión sin usar el carril guía. Los cortes por inmersión sin el carril guía aumentan el riesgo de lesiones.

Instale el carril guía en la pieza de trabajo que se vaya a cortar (consulte la sección "Fijación de los carriles guía" para obtener detalles).

Coloque la sierra sobre el carril guía **40** en la posición de inmersión deseada. Instale un tope de recorrido **52** (vendido por separado) sobre el carril guía ubicándolo

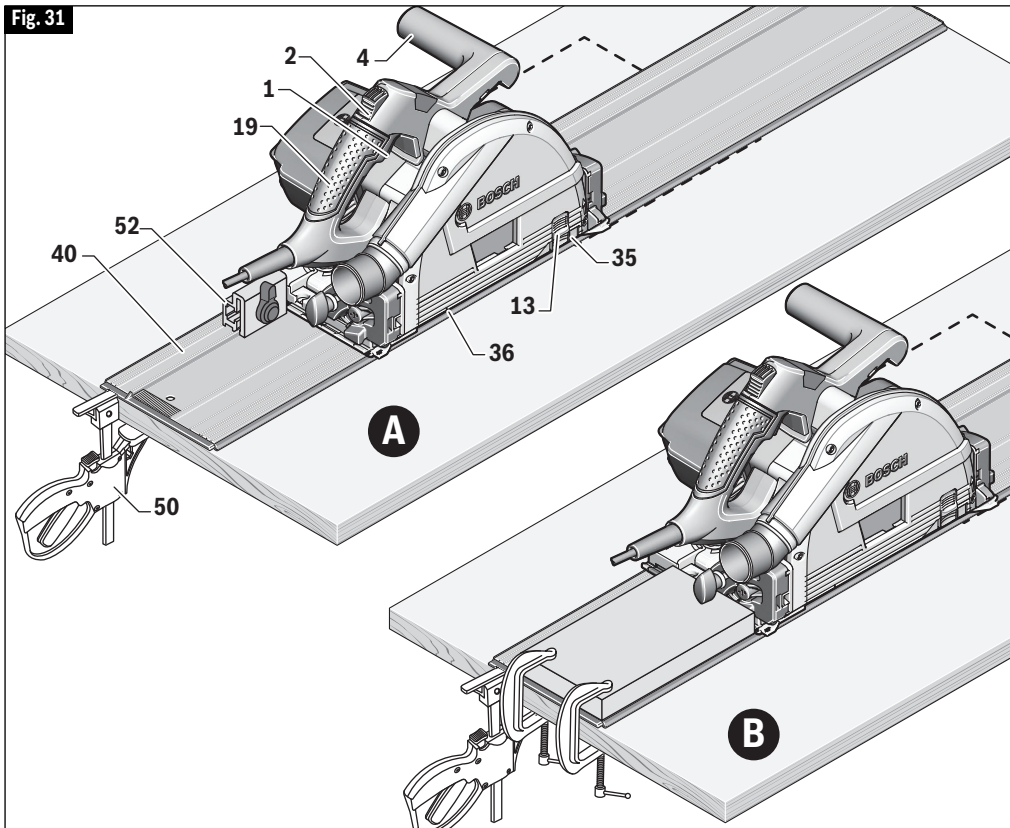
contra el borde trasero de la placa-base de la sierra (Fig. 31, **A**). Como solución alternativa a utilizar el tope de recorrido, fabrique un tope fijo o equivalente que se sujete con abrazaderas sobre el carril guía (Fig. 31, **B**).

Jale la ventana transparente **13** hacia abajo hasta que toque la pieza de trabajo. Las marcas de límite de corte **35** y **36** muestran la longitud del corte por inmersión cuando la profundidad de corte está ajustada al máximo.

Agarre firmemente la sierra con las dos manos (una mano en el asa principal **19** y la otra en el mango auxiliar **4**).

Presione el botón de fijación en apagado **2** y presione el interruptor de encendido y apagado **1** para encender la sierra.

Espera hasta que la hoja alcance su velocidad máxima y presione lentamente



Instrucciones de funcionamiento

hacia abajo el cabezal de la sierra hasta la profundidad de corte preajustada.

Empuje la sierra lentamente hacia delante, manteniendo la placa-base plana contra el carril guía y avanzando suavemente hasta que se complete el aserrado.

Al final del corte por inmersión, suelte el

interruptor de encendido y apagado y espere hasta que la hoja de sierra se detenga por completo antes de jalar el cabezal de la sierra hacia arriba (se retraerá hasta la posición de comienzo y el mecanismo de inmersión quedará bloqueado de nuevo).

Mantenimiento

⚠ ADVERTENCIA Para evitar accidentes desconecte siempre la herramienta de la fuente de energía antes de la limpieza o de la realización de cualquier mantenimiento.

⚠ ADVERTENCIA El mantenimiento preventivo realizado por personal no autorizado puede dar lugar a la colocación incorrecta de cables y componentes internos que podría constituir un peligro serio. Recomendamos que todo el servicio de las herramientas sea realizado por un Centro de servicio de fábrica Bosch o por una Estación de servicio Bosch autorizada.

► Lubricación de las herramientas

Su herramienta Bosch ha sido lubricada adecuadamente y está lista para la utilización. Se recomienda que las herramientas con engranajes se vuelvan a engrasar con un lubricante especial para engranajes en cada cambio de escobillas.

► Escobillas de carbón

Las escobillas y el conmutador de la herramienta han sido diseñados para muchas horas de servicio fiable. Para mantener un rendimiento óptimo del motor, recomendamos que cada dos a seis meses se examinen las escobillas. Sólo se deben usar escobillas de repuesto Bosch genuinas diseñadas específicamente para su herramienta.

► Rodamientos

Los rodamientos que se vuelven ruidosos (debido a la pesada carga o al corte de materiales muy abrasivos) deben ser sustituidos inmediatamente para evitar el sobrecalentamiento o el fallo del motor.

► Limpieza

⚠ PRECAUCIÓN Ciertos agentes de limpieza y disolventes dañan las piezas de plástico. Algunos de estos son: gasolina, tetracloruro de carbono, disolventes de limpieza clorados, amoníaco y detergentes domésticos que contienen amoníaco.

Las aberturas de ventilación y las palancas de interruptor deben mantenerse limpias y libres de materias extrañas. No intente limpiar introduciendo objetos puntiagudos a través de las aberturas.

► Cuidado de las hojas

Las hojas se desafilan incluso al cortar madera normal. Si usted tiene que forzar la sierra hacia adelante para que corte, en vez de simplemente guiarla a través del corte, lo más probable es que la hoja esté desafilada o cubierta de resina de madera.

Cuando limpie la hoja para quitarle la goma y la resina de madera, desenchufe la sierra y quite la hoja. Recuerde, las hojas están diseñadas para cortar, así que manipúlelas cuidadosamente. Limpie la hoja con queroseno o con un disolvente similar para eliminar la goma y la resina. A menos que usted tenga experiencia en afilar hojas, le recomendamos que no lo intente de trabajo.

Cordones de extensión

⚠ ADVERTENCIA Si es necesario un cordón de extensión, se debe usar un cordón con conductores de tamaño adecuado que sea capaz de transportar la corriente necesaria para la herramienta. Esto evitará caídas de tensión excesivas, pérdida de potencia o recalentamiento. Las herramientas conectadas a tierra deben usar cordones de extensión de 3 hilos que tengan enchufes de 3 terminales y receptáculos para 3 terminales.

NOTA: Cuanto más pequeño sea el número de calibre, más alta será la capacidad del cordón.

TAMAÑOS RECOMENDADOS DE CORDONES DE EXTENSION HERRAMIENTAS DE 120 V CORRIENTE ALTERNA

Capacidad nominal en amperes de la herramienta	Tamaño del cordón en A.W.G.				Tamaños del cable en mm ²			
	Longitud del cordón en pies				Longitud del cordón en metros			
	25	50	100	150	15	30	60	120
3-6	18	16	16	14	0.75	0.75	1.5	2.5
6-8	18	16	14	12	0.75	1.0	2.5	4.0
8-10	18	16	14	12	0.75	1.0	2.5	4.0
10-12	16	16	14	12	1.0	2.5	4.0	-
12-16	14	12	-	-	-	-	-	-

Aditamentos y accesorios

⚠ ADVERTENCIA Es posible que el uso de cualquier otro aditamento o accesorio no especificado en este manual cree un peligro.

Almacene los accesorios en un ambiente seco y templado para evitar la corrosión y el deterioro.

Bosch No.	Descripción	Se incluye(n)	Se vende(n) por separado
Accesorios			
PRO648TS	Hoja de 48 dientes para madera y materiales compuestos de madera	●	●
PRO624TS	Hoja de 24 dientes para madera y materiales compuestos de madera	-	●
Aditamentos			
FSN...	Carriles guía	-	●
FSNKK	Abrazaderas para carril guía	-	●
FSNVEL	Abrazaderas para carril guía	-	●
FSNWAN	Guía de ingletes para carril guía	-	●
FSNRS	Tope del recorrido para carril guía	-	●
FSNSS	Borde antiastillas	-	●
FSNHB	Franja de tracción	-	●
FSNBAG	Bolsa de transporte	-	●
GKTPA	Tope-guía para cortar al hilo	-	●
VAC024	Adaptador de manguera de aspiración para mangueras de 1-1/4 y 1-1/2 pulgadas	-	●
VX120	Adaptador de manguera de aspiración para mangueras Bosch Serie VH	-	●

Resolución de problemas

⚠ ADVERTENCIA Lea primero el manual de instrucciones! Saque el enchufe de la fuente de energía antes de hacer ajustes o ensamblar la hoja.

PROBLEMA	CAUSA	MEDIDA CORRECTIVA
La sierra no arranca	<ol style="list-style-type: none"> 1. El cordón de energía no está enchufado. 2. El fusible o el cortacircuitos de la fuente de energía ha saltado. 3. El cordón está dañado. 4. El interruptor está quemado. 5. El gatillo no enciende la herramienta. 	<ol style="list-style-type: none"> 1. Enchufe la sierra. 2. Reemplace el fusible o reajuste el cortacircuitos que ha saltado. 3. Inspeccione el cordón para comprobar si está dañado. Si está dañado, haga que sea reemplazado por un Centro de Servicio Bosch Autorizado o una Estación de Servicio Bosch Autorizada. 4. Haga que el interruptor sea reemplazado por un Centro de Servicio Bosch Autorizado o una Estación de Servicio Bosch Autorizada. 5. Desacople el botón de fijación en apagado 2 tal y como se describe en la página 74
La hoja no alcanza toda su velocidad	<ol style="list-style-type: none"> 1. El cordón de extensión es demasiado ligero o demasiado largo. 2. El voltaje de la red doméstica es bajo. 	<ol style="list-style-type: none"> 1. Reemplace el cordón de extensión con un cordón adecuado. 2. Contacte a la compañía eléctrica.
Vibración excesiva	<ol style="list-style-type: none"> 1. La hoja está desequilibrada. 2. La pieza de trabajo no está sujeta con abrazaderas o soportada apropiadamente. 	<ol style="list-style-type: none"> 1. Deseche la hoja y use una hoja diferente. 2. Sujete con abrazaderas o soporte la pieza de trabajo de la manera que se muestra en las páginas 75 – 78.
No se puede hacer un corte en ángulo recto al cortar transversalmente	<ol style="list-style-type: none"> 1. La placa-base no está ajustada correctamente. 	<ol style="list-style-type: none"> 1. Consulte la sección “Instrucciones de funcionamiento”, “Ajuste de bisel” (página 72), “Guías de línea de corte” (página 73), “Corte de planchas grandes” (página 77).

Resolución de problemas

PROBLEMA	CAUSA	MEDIDA CORRECTIVA
El corte se atora, quema o detiene el motor al cortar al hilo	<ol style="list-style-type: none"> 1. La hoja está desafilada y tiene un triscado inadecuado de los dientes. 2. La tabla está combada. 3. La hoja se atora. 4. Soporte inapropiado de la pieza de trabajo. 	<ol style="list-style-type: none"> 1. Deseche la hoja y use una hoja diferente. 2. Asegúrese de que el lado cóncavo o ahuecado esté orientado "HACIA ABAJO" y haga avanzar lentamente, consulte la página 77. 3. Ensamble la hoja y apriete el embrague Vari-Torque de acuerdo con las instrucciones de "Ensamblaje de la sierra". Consulte la página 55. 4. Sujete con abrazaderas o soporte la pieza de trabajo de la manera que se muestra en las páginas 75 – 78.
La hoja resbala	<ol style="list-style-type: none"> 1. La herramienta no corta la pieza de trabajo. 	<ol style="list-style-type: none"> 1. Ensamble la hoja y apriete el embrague Vari-Torque de acuerdo con las instrucciones de "Ensamblaje de la sierra". Consulte la página 55.

Notes • Remarques • Notas

This page was intentionally left blank
Cette page a été laissée vierge intentionnellement.
Esta página se dejó intencionalmente en blanco

LIMITED WARRANTY OF BOSCH PORTABLE AND BENCHTOP POWER TOOLS

Robert Bosch Tool Corporation ("Seller") warrants to the original purchaser only, that all BOSCH portable and benchtop power tools will be free from defects in material or workmanship for a period of one year from date of purchase. SELLER'S SOLE OBLIGATION AND YOUR EXCLUSIVE REMEDY under this Limited Warranty and, to the extent permitted by law, any warranty or condition implied by law, shall be the repair or replacement of parts, without charge, which are defective in material or workmanship and which have not been misused, carelessly handled, or misrepaired by persons other than Seller or Authorized Service Station. To make a claim under this Limited Warranty, you must return the complete portable or benchtop power tool product, transportation prepaid, to any BOSCH Factory Service Center or Authorized Service Station. For Authorized BOSCH Power Tool Service Stations, please refer to your phone directory.

THIS LIMITED WARRANTY DOES NOT APPLY TO ACCESSORY ITEMS SUCH AS CIRCULAR SAW BLADES, DRILL BITS, ROUTER BITS, JIGSAW BLADES, SANDING BELTS, GRINDING WHEELS AND OTHER RELATED ITEMS.

ANY IMPLIED WARRANTIES SHALL BE LIMITED IN DURATION TO ONE YEAR FROM DATE OF PURCHASE. SOME STATES IN THE U.S., SOME CANADIAN PROVINCES DO NOT ALLOW LIMITATIONS ON HOW LONG AN IMPLIED WARRANTY LASTS, SO THE ABOVE LIMITATION MAY NOT APPLY TO YOU.

IN NO EVENT SHALL SELLER BE LIABLE FOR ANY INCIDENTAL OR CONSEQUENTIAL DAMAGES (INCLUDING BUT NOT LIMITED TO LIABILITY FOR LOSS OF PROFITS) ARISING FROM THE SALE OR USE OF THIS PRODUCT. SOME STATES IN THE U.S. AND SOME CANADIAN PROVINCES DO NOT ALLOW THE EXCLUSION OR LIMITATION OF INCIDENTAL OR CONSEQUENTIAL DAMAGES, SO THE ABOVE LIMITATION OR EXCLUSION MAY NOT APPLY TO YOU.

THIS LIMITED WARRANTY GIVES YOU SPECIFIC LEGAL RIGHTS, AND YOU MAY ALSO HAVE OTHER RIGHTS WHICH VARY FROM STATE TO STATE IN THE U.S., PROVINCE TO PROVINCE IN CANADA AND FROM COUNTRY TO COUNTRY.

THIS LIMITED WARRANTY APPLIES ONLY TO PORTABLE AND BENCHTOP ELECTRIC TOOLS SOLD WITHIN THE UNITED STATES OF AMERICA, CANADA AND THE COMMONWEALTH OF PUERTO RICO. FOR WARRANTY COVERAGE WITHIN OTHER COUNTRIES, CONTACT YOUR LOCAL BOSCH DEALER OR IMPORTER.

GARANTIE LIMITÉE DES OUTILS ÉLECTRIQUES PORTATIFS ET D'ÉTABLI BOSCH

Robert Bosch Tool Corporation (le « vendeur ») garantit à l'acheteur initial seulement que tous les outils électriques portatifs et d'établi BOSCH seront exempts de vices de matériaux ou d'exécution pendant une période d'un an depuis la date d'achat. LA SEULE OBLIGATION DU VENDEUR ET LE SEUL RECOURS DE L'ACHETEUR sous la présente garantie limitée, et en autant que la loi le permette sous toute garantie ou condition implicite qui en découlerait, sera l'obligation de remplacer ou réparer gratuitement les pièces défectueuses matériellement ou comme fabrication, pourvu que lesdites défectuosités ne soient pas attribuables à un usage abusif ou à quelque réparation bricolée par quelqu'un d'autre que le vendeur ou le personnel d'une station-service agréée. Pour présenter une réclamation en vertu de cette garantie limitée, vous devez renvoyer l'outil électrique portatif ou d'établi complet, port payé, à tout centre de service agréé ou centre de service usiné. Veuillez consulter votre annuaire téléphonique pour les adresses.

LA PRÉSENTE GARANTIE NE S'APPLIQUE PAS AUX ACCESSOIRES TELS QUE LAMES DE SCIES CIRCULAIRES, MÊCHES DE PERCEUSES, FERS DE TOUPIES, LAMES DE SCIES SAUTEUSES, COURROIES DE PONÇAGE, MEULES ET AUTRES ARTICLES DU GENRE.

TOUTE GARANTIE IMPLICITE SERA LIMITÉE COMME DURÉE À UN AN À COMPTER DE LA DATE D'ACHAT. CERTAINS ÉTATS AMÉRICAINS, CERTAINES PROVINCES CANADIENNES N'ADMETTANT PAS LE PRINCIPE DE LA LIMITATION DE LA DURÉE DES GARANTIES IMPLICITES, IL EST POSSIBLE QUE LES LIMITATIONS CI-DESSUS NE S'APPLIQUENT PAS À VOTRE CAS.

EN AUCUN CAS LE VENDEUR NE SAURAIT ÊTRE TENU POUR RESPONSABLE DES INCIDENTS OU DOMMAGES INDIRECTS (INCLUANT, MAIS NE SE LIMITANT PAS AUX PERTES DE PROFITS) CONSÉQUENTS À LA VENTE OU L'USAGE DE CE PRODUIT. CERTAINS ÉTATS AMÉRICAINS ET CERTAINES PROVINCES CANADIENNES N'ADMETTANT PAS LE PRINCIPE DE LA LIMITATION NI L'EXCLUSION DES DOMMAGES INDIRECTS ET CONSÉQUENTIELS, IL EST POSSIBLE QUE LES LIMITATIONS OU EXCLUSIONS CI-DESSUS NE S'APPLIQUENT PAS À VOTRE CAS.

LA PRÉSENTE GARANTIE VOUS ACCORDE DES DROITS BIEN DÉTERMINÉS, Y COMPRIS POSSIBLEMENT CERTAINS DROITS VARIABLES DANS LES DIFFÉRENTS ÉTATS AMÉRICAINS, PROVINCES CANADIENNE ET DE PAYS À PAYS.

CETTE GARANTIE LIMITÉE NE S'APPLIQUE QU'ÀUX OUTILS ÉLECTRIQUES PORTATIFS ET D'ÉTABLI VENDUS AUX ÉTATS-UNIS D'AMÉRIQUE, AU CANADA ET AU COMMONWEALTH DE PORTO RICO. POUR COUVERTURE DE GARANTIE DANS LES AUTRES PAYS, CONTACTEZ VOTRE IMPORTATEUR OU REVENDEUR BOSCH LOCAL.

GARANTIA LIMITADA PARA HERRAMIENTAS MECANICAS PORTATILES Y PARA TABLERO DE BANCO BOSCH

Robert Bosch Tool Corporation (el Vendedor) garantiza, únicamente al comprador original, que todas las herramientas mecánicas portátiles y para tablero de banco BOSCH estarán libres de defectos de material o de fabricación durante un período de un año a partir de la fecha de compra. LA ÚNICA OBLIGACIÓN DEL VENDEADOR Y EL RECURSO EXCLUSIVO QUE USTED TIENE bajo esta Garantía Limitada y, hasta donde la ley lo permita, bajo cualquier garantía o condición implícita por ley, consistirá en la reparación o sustitución sin costo de las piezas que presenten defectos de material o de fabricación y que no hayan sido utilizadas incorrectamente, manejadas descuidadamente o reparadas incorrectamente por personas que no sean el Vendedor o una Estación de servicio autorizada. Para efectuar una reclamación bajo esta Garantía Limitada, usted debe devolver el producto, que consiste en la herramienta mecánica portátil o para tablero de banco completa, con el transporte pagado, a cualquier Centro de servicio de fábrica o Estación de servicio autorizada. Para Estaciones de servicio autorizadas de herramientas mecánicas BOSCH, por favor, consulte el directorio telefónico.

ESTA GARANTIA LIMITADA NO SE APLICA A ARTICULOS ACCESORIOS TALES COMO HOJAS PARA SIERRAS CIRCULARES, BROCAS PARA TALADROS, BROCAS PARA FRESADORAS, HOJAS PARA SIERRAS DE VAIVEN, CORREAS PARA LIJAR, RUEDAS DE AMOLAR Y OTROS ARTICULOS RELACIONADOS.

TODAS LAS GARANTIAS IMPLICITAS TENDRAN UNA DURACION LIMITADA A UN AÑO A PARTIR DE LA FECHA DE COMPRA. ALGUNOS ESTADOS DE LOS EE.UU. Y ALGUNAS PROVINCIAS CANADIENSES NO PERMITEN LIMITACIONES EN CUANTO A LA DURACION DE UNA GARANTIA IMPLICITA, POR LO QUE ES POSIBLE QUE LA LIMITACION ANTERIOR NO SEA APLICABLE EN EL CASO DE USTED.

EL VENDEADOR NO SERA RESPONSABLE EN NINGUN CASO DE NINGUN DAÑO INCIDENTAL O EMERGENTE (INCLUYENDO PERO NO LIMITADO A RESPONSABILIDAD POR PERDIDA DE BENEFICIOS) QUE SE PRODUZCA COMO CONSECUENCIA DE LA VENTA O UTILIZACION DE ESTE PRODUCTO. ALGUNOS ESTADOS DE LOS EE.UU. Y ALGUNAS PROVINCIAS CANADIENSES NO PERMITEN LA EXCLUSION O LIMITACION DE LOS DAÑOS INCIDENTALES O EMERGENTES, POR LO QUE ES POSIBLE QUE LA LIMITACION O EXCLUSION ANTERIOR NO SEA APLICABLE EN EL CASO DE USTED.

ESTA GARANTIA LIMITADA LE CONFIERE A USTED DERECHOS LEGALES ESPECIFICOS Y ES POSIBLE QUE USTED TAMBIEN TENGA OTROS DERECHOS QUE VARIAN DE ESTADO A ESTADO EN LOS EE.UU., DE PROVINCIA A PROVINCIA EN CANADA Y DE UN PAIS A OTRO.

ESTA GARANTIA LIMITADA SE APLICA SOLAMENTE A HERRAMIENTAS ELECTRICAS PORTATILES Y PARA TABLERO DE BANCO VENDIDAS EN LOS ESTADOS UNIDOS DE AMERICA, CANADA Y EL ESTADO LIBRE ASOCIADO DE PUERTO RICO. PARA COBERTURA DE GARANTIA EN OTROS PAISES, PONGASE EN CONTACTO CON SU DISTRIBUIDOR O IMPORTADOR LOCAL DE BOSCH.

© Robert Bosch Tool Corporation 1800 W. Central Road Mt. Prospect, IL 60056-2230

Exportado por: Robert Bosch Tool Corporation Mt. Prospect, IL 60056-2230, E.U.A.

Importado en México por: Robert Bosch, S.A. de C.V., Calle Robert Bosch No. 405, Zona Industrial, Toluca, Edo. de México, C.P. 50070, Tel. (722) 2792300



2 6 1 0 0 5 1 8 4 4

2610051844 06/19