

**IMPORTANT**  
Read Before Using

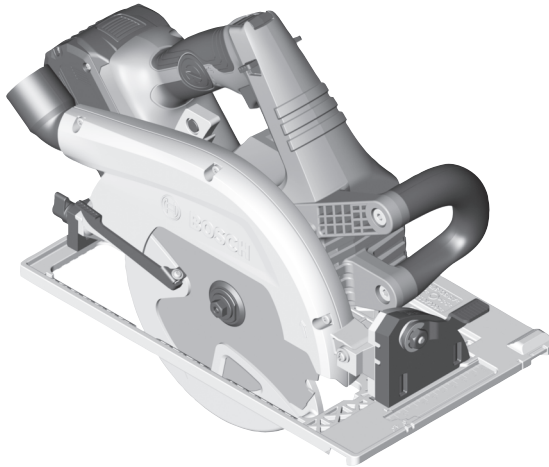
**IMPORTANT**  
Lire avant usage

**IMPORTANTE**  
Leer antes de usar



**Operating / Safety Instructions**  
**Consignes d'utilisation/de sécurité**  
**Instrucciones de funcionamiento y seguridad**

**GKS18V-25GC**



**BOSCH**

Call Toll Free for Consumer Information and Service Locations

Pour obtenir des informations et les adresses de nos centres de service après-vente, appelez ce numéro gratuit

Llame gratis para obtener información para el consumidor y ubicaciones de servicio

**1-877-BOSCH99 (1-877-267-2499) [www.boschtools.com](http://www.boschtools.com)**





For English Version  
See page 2

Version française  
Voir page 29

Versión en español  
Ver la página 58

## Safety Symbols

The definitions below describe the level of severity for each signal word. Please read the manual and pay attention to these symbols.

	This is the safety alert symbol. It is used to alert you to potential personal injury hazards. Obey all safety messages that follow this symbol to avoid possible injury or death.
	DANGER indicates a hazardous situation which, if not avoided, will result in death or serious injury.
	WARNING indicates a hazardous situation which, if not avoided, could result in death or serious injury.
	CAUTION indicates a hazardous situation which, if not avoided, could result in minor or moderate injury.

## General Power Tool Safety Warnings

**WARNING** Read all safety warnings, instructions, illustrations and specifications provided with this power tool. Failure to follow all instructions listed below may result in electric shock, fire and/or serious injury.

### SAVE ALL WARNINGS AND INSTRUCTIONS FOR FUTURE REFERENCE

The term “power tool” in the warnings refers to your mains-operated (corded) power tool or battery-operated (cordless) power tool.

#### 1. Work area safety

- Keep work area clean and well lit.** Cluttered or dark areas invite accidents.
- Do not operate power tools in explosive atmospheres, such as in the presence of flammable liquids, gases or dust.** Power tools create sparks which may ignite the dust or fumes.
- Keep children and bystanders away while operating a power tool.** Distractions can cause you to lose control.

#### 2. Electrical safety

- Power tool plugs must match the outlet. Never modify the plug in any way. Do not use any adapter plugs with earthed (grounded) power tools.** Unmodified plugs and matching outlets will reduce risk of electric shock.
- Avoid body contact with earthed or grounded surfaces, such as pipes, radiators, ranges and refrigerators.** There is an increased risk of electric shock if your body is earthed or grounded.
- Do not expose power tools to rain or wet**

**conditions.** Water entering a power tool will increase the risk of electric shock.

- Do not abuse the cord. Never use the cord for carrying, pulling or unplugging the power tool. Keep cord away from heat, oil, sharp edges or moving parts.** Damaged or entangled cords increase the risk of electric shock.
- When operating a power tool outdoors, use an extension cord suitable for outdoor use.** Use of a cord suitable for outdoor use reduces the risk of electric shock.
- If operating a power tool in a damp location is unavoidable, use a Ground Fault Circuit Interrupter (GFCI) protected supply.** Use of an GFCI reduces the risk of electric shock.

#### 3. Personal safety

- Stay alert, watch what you are doing and use common sense when operating a power tool. Do not use a power tool while you are tired or under the influence of drugs, alcohol or medication.** A moment of inattention while operating power tools may result in serious personal injury.
- Use personal protective equipment. Always**

## General Power Tool Safety Warnings

**wear eye protection.** Protective equipment such as dust mask, non-skid safety shoes, hard hat, or hearing protection used for appropriate conditions will reduce personal injuries.

- c. **Prevent unintentional starting. Ensure the switch is in the off-position before connecting to power source and / or battery pack, picking up or carrying the tool.** Carrying power tools with your finger on the switch or energizing power tools that have the switch on invites accidents.
- d. **Remove any adjusting key or wrench before turning the power tool on.** A wrench or a key left attached to a rotating part of the power tool may result in personal injury.
- e. **Do not overreach. Keep proper footing and balance at all times.** This enables better control of the power tool in unexpected situations.
- f. **Dress properly. Do not wear loose clothing or jewelry. Keep your hair, clothing and gloves away from moving parts.** Loose clothes, jewelry or long hair can be caught in moving parts.
- g. **If devices are provided for the connection of dust extraction and collection facilities, ensure these are connected and properly used.** Use of dust collection can reduce dust-related hazards.
- h. **Do not let familiarity gained from frequent use of tools allow you to become complacent and ignore tool safety principles.** A careless action can cause severe injury within a fraction of a second.

### 4. Power tool use and care

- a. **Do not force the power tool. Use the correct power tool for your application.** The correct power tool will do the job better and safer at the rate for which it was designed.
- b. **Do not use the power tool if the switch does not turn it on and off.** Any power tool that cannot be controlled with the switch is dangerous and must be repaired.
- c. **Disconnect the plug from the power source and/or remove the battery pack, if detachable, from the power tool before making any adjustments, changing accessories, or storing power tools.** Such preventive safety measures reduce the risk of starting the power tool accidentally.
- d. **Store idle power tools out of the reach of children and do not allow persons**

**unfamiliar with the power tool or these instructions to operate the power tool.** Power tools are dangerous in the hands of untrained users.

- e. **Maintain power tools and accessories. Check for misalignment or binding of moving parts, breakage of parts and any other condition that may affect the power tool's operation. If damaged, have the power tool repaired before use.** Many accidents are caused by poorly maintained power tools.
- f. **Keep cutting tools sharp and clean.** Properly maintained cutting tools with sharp cutting edges are less likely to bind and are easier to control.
- g. **Use the power tool, accessories and tool bits etc. in accordance with these instructions, taking into account the working conditions and the work to be performed.** Use of the power tool for operations different from those intended could result in a hazardous situation.
- h. **Keep handles and grasping surfaces dry, clean and free from oil and grease.** Slippery handles and grasping surfaces do not allow for safe handling and control of the tool in unexpected situations.

### 5. Battery tool use and care

- a. **Recharge only with the charger specified by the manufacturer.** A charger that is suitable for one type of battery pack may create a risk of fire when used with another battery pack.
- b. **Use power tools only with specifically designated battery packs.** Use of any other battery packs may create a risk of injury and fire.
- c. **When battery pack is not in use, keep it away from other metal objects like paper clips, coins, keys, nails, screws, or other small metal objects that can make a connection from one terminal to another.** Shorting the battery terminals together may cause burns or a fire.
- d. **Under abusive conditions, liquid may be ejected from the battery, avoid contact. If contact accidentally occurs, flush with water. If liquid contacts eyes, additionally seek medical help.** Liquid ejected from the battery may cause irritation or burns.
- e. **Do not use a battery pack or tool that is damaged or modified.** Damaged or modified

## General Power Tool Safety Warnings

batteries may exhibit unpredictable behaviour resulting in fire, explosion or risk of injury.


- f. **Do not expose a battery pack or tool to fire or excessive temperature.** Exposure to fire or temperature above 265 °F may cause explosion.
- g. **Follow all charging instructions and do not charge the battery pack or tool outside the temperature range specified in the instructions.** Charging improperly or at temperatures outside the specified range may damage the battery and increase the risk of fire.

## 6. Service

- a. **Have your power tool serviced by a qualified repair person using only identical replacement parts.** This will ensure that the safety of the power tool is maintained.
- b. **Never service damaged battery packs.** Service of battery packs should only be performed by the manufacturer or authorized service providers.

## Safety Instructions for Circular Saws

### Cutting procedures

- a.  **DANGER** **Keep hands away from cutting area and the blade. Keep your second hand on auxiliary handle, or motor housing.** If both hands are holding the saw, they cannot be cut by the blade.
- b. **Do not reach underneath the workpiece.** The guard cannot protect you from the blade below the workpiece.
- c. **Adjust the cutting depth to the thickness of the workpiece.** Less than a full tooth of the blade teeth should be visible below the workpiece.
- d. **Never hold the workpiece in your hands or across your leg while cutting. Secure the workpiece to a stable platform.** It is important to support the work properly to minimize body exposure, blade binding, or loss of control.
- e. **Hold the power tool by insulated gripping surfaces, when performing an operation where the cutting tool may contact hidden wiring.** Contact with a “live” wire will also make exposed metal parts of the power tool “live” and could give the operator an electric shock.
- f. **When ripping, always use a rip fence or straight edge guide.** This improves the accuracy of cut and reduces the chance of blade binding.
- g. **Always use blades with correct size and shape (diamond versus round) of arbor holes.** Blades that do not match the mounting hardware of the saw will run off-center, causing loss of control.
- h. **Never use damaged or incorrect blade**

**washers or bolt.** The blade washers and bolt were specially designed for your saw, for optimum performance and safety of operation.

### Kickback causes and related warnings

Kickback is a sudden reaction to a pinched, jammed or misaligned saw blade, causing an uncontrolled saw to lift up and out of the workpiece toward the operator.

When the blade is pinched or jammed tightly by the kerf closing down, the blade stalls and the motor reaction drives the unit rapidly back toward the operator.

If the blade becomes twisted or misaligned in the cut, the teeth at the back edge of the blade can dig into the top surface of the wood causing the blade to climb out of the kerf and jump back toward the operator.

Kickback is the result of saw misuse and/or incorrect operating procedures or conditions and can be avoided by taking proper precautions as given below:

- a. **Maintain a firm grip with both hands on the saw and position your arms to resist kickback forces. Position your body to either side of the blade, but not in line with the blade.** Kickback could cause the saw to jump backwards, but kickback forces can be controlled by the operator, if proper precautions are taken.
- b. **When blade is binding, or when interrupting a cut for any reason, release the trigger and hold the saw motionless in the material until the blade comes to a complete stop. Never attempt to remove**

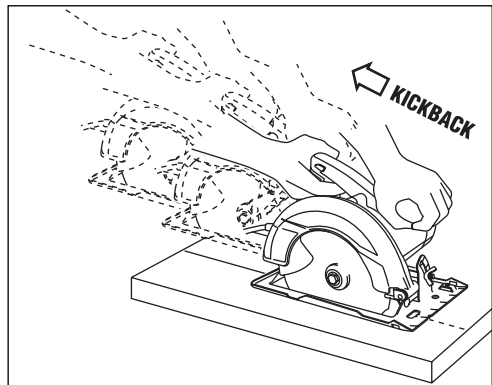
## Safety Instructions for Circular Saws

- the saw from the work or pull the saw backward while the blade is in motion or kickback may occur. Investigate and take corrective action to eliminate the cause of blade binding.
- When restarting a saw in the workpiece, center the saw blade in the kerf so that the saw teeth are not engaged into the material.** If a saw blade binds, it may walk up or kickback from the workpiece as the saw is restarted.
  - Support large panels to minimize the risk of blade pinching and kickback.** Large panels tend to sag under their own weight. Supports must be placed under the panel on both sides, near the line of cut and near the edge of the panel.
  - Do not use dull or damaged blades.** Unsharpened or improperly set blades produce narrow kerf causing excessive friction, blade binding and kickback.
  - Blade depth and bevel adjusting locking levers must be tight and secure before making cut.** If blade adjustment shifts while cutting, it may cause binding and kickback.
  - Use extra caution when sawing into existing walls or other blind areas.** The protruding blade may cut objects that can cause kickback.
- Check the lower guard for proper closing before each use. Do not operate the saw if the lower guard does not move freely and close instantly. Never clamp or tie the lower guard into the open position.** If the saw is accidentally dropped, the lower guard may be bent. Raise the lower guard with the retracting handle and make sure it moves freely and does not touch the blade or any other part, in all angles and depths of cut.
  - Check the operation of the lower guard spring. If the guard and the spring are not operating properly, they must be serviced before use.** Lower guard may operate sluggishly due to damaged parts, gummy deposits, or a build-up of debris.
  - The lower guard may be retracted manually only for special cuts such as “plunge cuts” and “compound cuts”. Raise the lower guard by the retracting handle and as soon as the blade enters the material, the lower guard must be released.** For all other sawing, the lower guard should operate automatically.
  - Always observe that the lower guard is covering the blade before placing the saw down on bench or floor.** An unprotected, coasting blade will cause the saw to walk backwards, cutting whatever is in its path. Be aware of the time it takes for the blade to stop after the switch is released.

### Lower Guard Function

## Additional Safety Instructions for Circular Saws

- Inspect the condition and quality of the wood and remove all nails from lumber before cutting.** Wet lumber, green lumber or pressure treated lumber require special attention during cutting operation to prevent kickback.
- Hold the saw firmly to prevent loss of control.** Figures in this manual illustrate typical hand support of the saw.
- Depending upon use, the switch may not last the life of the saw. If the switch should fail in the “OFF” position, the saw may not start. If it should fail while the saw is running, the saw may not shut off.** If either occurs, remove the battery pack from the saw immediately and do not use until repaired.
- This circular saw should not be mounted to a table and converted to a table saw.** Circular saws are not designed or intended to be used as table saws.
- The blade washers and the bolt on your saw have been designed to work as a clutch to reduce the intensity of a kickback.**



## Additional Safety Instructions for Circular Saws

- Understand the operation and settings of the VARI-TORQUE CLUTCH.** The proper setting of the clutch, combined with firm handling of the saw will allow you to control kickback.
- f. Never place your hand behind the saw blade.** Kickback could cause the saw to jump backwards over your hand.
- g. Do not use the saw with an excessive depth of cut setting.** Too much blade exposure increases the likelihood of the blade twisting in the kerf and increases the surface area of the blade available for pinching that leads to kickback.
- h. Do not run the tool while carrying it at your side. Lower guard may be opened by a contact with your clothing.** Accidental contact with the spinning saw blade could result in serious personal injury.
- i. Periodically remove the blade, clean the upper, lower guards and the hub area with kerosene and wipe it dry.** Preventive maintenance and properly operating guard will reduce the probability of an accident.
- j. Ensure the switch is in the off position before inserting battery pack.** Inserting the battery pack into power tools that have the switch on invites accidents.
- k. Avoid overheating saw blade tips.**

## Additional Safety Warnings

GFCI and personal protection devices like electrician's rubber gloves and footwear will further enhance your personal safety.

**Develop a periodic maintenance schedule for your tool. When cleaning a tool be careful not to disassemble any portion of the tool since internal wires may be misplaced or pinched or safety guard return springs may be improperly mounted.** Certain cleaning agents such as gasoline, carbon tetrachloride, ammonia, etc. may damage plastic parts.








**⚠ WARNING** Some dust created by power sanding, sawing, grinding, drilling, and other construction activities contains chemicals known to cause cancer, birth defects or other reproductive harm. Some examples of these chemicals are:

- Lead from lead-based paints,
- Crystalline silica from bricks and cement and other masonry products, and
- Arsenic and chromium from chemically-treated lumber.

Your risk from these exposures varies, depending on how often you do this type of work. To reduce your exposure to these chemicals: work in a well ventilated area, and work with approved safety equipment, such as those dust masks that are specially designed to filter out microscopic particles.












## Symbols

**Important:** Some of the following symbols may be used on your tool. Please study them and learn their meaning. Proper interpretation of these symbols will allow you to operate the tool better and safer.

Symbol	Designation / Explanation
V	Volts (voltage)
Ah	Amp hour (measurement of battery capacity)
A	Amperes (current)
Hz	Hertz (frequency, cycles per second)
W	Watt (power)
kg	Kilograms (weight)
min	Minutes (time)
s	Seconds (time)
∅	Diameter (size of drill bits, grinding wheels, etc.)
$n_0$	No load speed (rotational speed at no load)
n	Rated speed (maximum attainable speed)
.../min	Revolutions or reciprocation per minute (revolutions, strokes, surface speed, orbits etc. per minute)
0	Off position (zero speed, zero torque...)
1, 2, 3, ... I, II, III,	Selector settings (speed, torque or position settings. Higher number means greater speed)
	Infinitely variable selector with off (speed is increasing from 0 setting)
	Arrow (action in the direction of arrow)
	Alternating current (type or a characteristic of current)
	Direct current (type or a characteristic of current)
	Alternating or direct current (type or a characteristic of current)
	Class II construction (designates double insulated construction tools)
	Earthing terminal (grounding terminal)

## Symbols

**Important:** Some of the following symbols may be used on your tool. Please study them and learn their meaning. Proper interpretation of these symbols will allow you to operate the tool better and safer.

Symbol	Designation / Explanation
	Alerts user to read manual
	Alerts user to wear eye protection
	This symbol designates that this tool is listed by Underwriters Laboratories.
	This symbol designates that this component is recognized by Underwriters Laboratories.
	This symbol designates that this tool is listed by Underwriters Laboratories, to United States and Canadian Standards.
	This symbol designates that this tool is listed by the Canadian Standards Association.
	This symbol designates that this tool is listed by the Canadian Standards Association, to United States and Canadian Standards.
	This symbol designates that this tool is listed by the Intertek Testing Services, to United States and Canadian Standards.
	This symbol designates that this tool complies to NOM Mexican Standards.
	Designates Li-ion battery recycling program
	Designates Ni-Cad battery recycling program

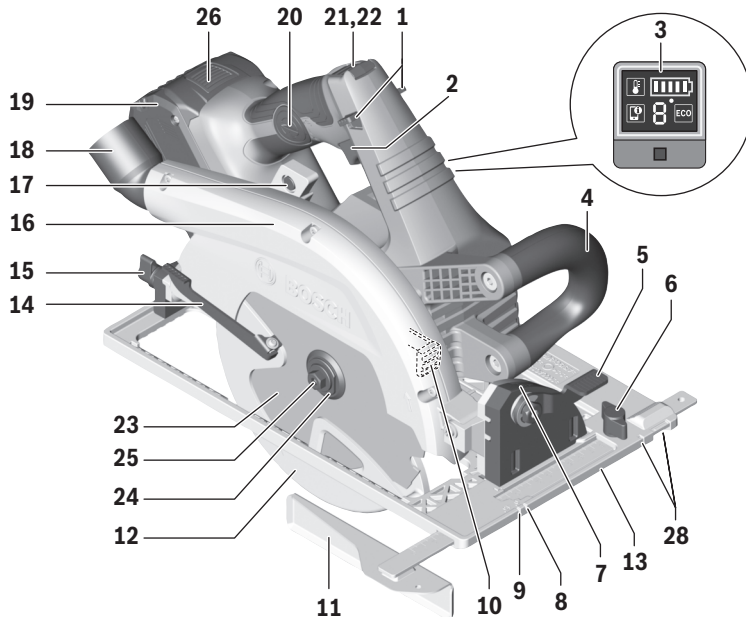


## Getting to Know Your Saw

**WARNING** Disconnect battery pack from tool before making any assembly, adjustments or changing accessories. Such preventive safety measures reduce the risk of starting the tool accidentally.

### Cordless Circular Saw GKS18V-25GC

**Fig. 1**



- |   |  |
|---|--|
| 1 Lock-off release buttons                      | 16 Upper guard                         |
| 2 Trigger switch                                | 17 Cutting depth scale                 |
| 3 User interface                                | 18 Dust port                           |
| 4 Auxiliary handle (insulated gripping surface) | 19 Battery pack                        |
| 5 Bevel adjustment lever                        | 20 Connectivity module compartment     |
| 6 Wing nut (included with rip fence)            | 21 Depth control release button        |
| 7 Bevel scale                                   | 22 Depth control locking button        |
| 8 Cutting line guide notch 0°                   | 23 Blade                               |
| 9 Cutting line guide notch 45°                  | 24 Outer washer                        |
| 10 Shaft lock button                            | 25 Blade stud                          |
| 11 Rip fence*                                   | 26 Battery pack release button         |
| 12 Lower guard                                  | 27 Handle (insulated gripping surface) |
| 13 Foot   | 28 Track Slots                         |
| 14 Lower guard lift lever (Retracting handle)   |  |
| 15 Bevel adjustment knob, rear                  |  |

\* Sold separately

For track system refer to pages 22–27

## Specifications

Model number	GKS18V-25GC
Voltage rating	18 V <sup>---</sup>
No load speed	$n_0$ 2,500–5,000/min
Blade*	7-1/4"
Blade arbor hole	5/8" (16mm) Round
Blade tooth thickness	7/64" (2.6mm)* *minimum 3/64" (1.0 mm)
Blade body thickness	0.079" (2.0mm) Maximum
Depth of cut at 0°	2-1/2" (63.5mm) Maximum
Depth of cut at 45°	1-13/16" (46mm) Maximum
Depth of cut at 50°	1-5/8" (41.3mm) Maximum
Allowed ambient temperature – during charging – during operation and storage	32...95 °F (0...+35 °C) –4...122 °F (–20...+50 °C)

- \* For replacement blades we recommend Bosch Cordless Circular saw blades. Their thin kerf and tooth design deliver the superior speed, quality of cut, and reduce battery drain. Use of standard blades will substantially affect the performance and reduce run-time.

### Connectivity Module (sold separately)

Please refer to the operating/safety instructions, included with connectivity module.

### Battery Packs/Chargers

Please refer to the battery/charger list, included with your tool.

## Intended Use

**⚠ WARNING** Use this saw only as intended. Unintended use may result in personal injury and property damage.

**This product is intended to cut wood and wood-like products only.** Dust build up around the lower guard and hub from other materials (plastic, masonry or metal) may disable the lower guard operation.

### Cutting Masonry/Metal

**⚠ WARNING** Do not cut metal or masonry with this circular saw. The dust from metal or masonry cutting will cause the lower guard to become sluggish and may not close fully and quickly after cutting these materials.

**⚠ WARNING** Do not use abrasive wheels. This tool is not

intended for usage with metal or masonry cut-off wheels.

**⚠ WARNING** Do not use Wet Diamond cutting off wheel or water feed devices with this circular saw. Masonry cutting waste will enter the lower guard system, harden and cause the guard to become inoperable. Use of water in masonry cutting applications with an electric circular saw will cause electric shock hazards.

This tool is not intended for usage with metal or masonry cut-off wheels.

## Saw Assembly

**⚠ WARNING** Disconnect battery pack from tool before making any assembly, adjustments or changing accessories. Such preventive safety measures reduce the risk of starting the tool accidentally.

### Inserting and Releasing Battery Pack

**⚠ WARNING** Use only Bosch batteries recommended in the battery/charger list, included with your tool. Using other types of batteries may result in personal injury or property damage.

Slide charged battery pack **19** into the housing until the battery pack locks into position (Fig. 2).

Your tool is equipped with a secondary locking latch to prevent the battery pack from completely falling out of the handle, should it become loose due to vibration.

To remove the battery pack **19**, press the battery pack release button **26** and slide the battery pack forward.

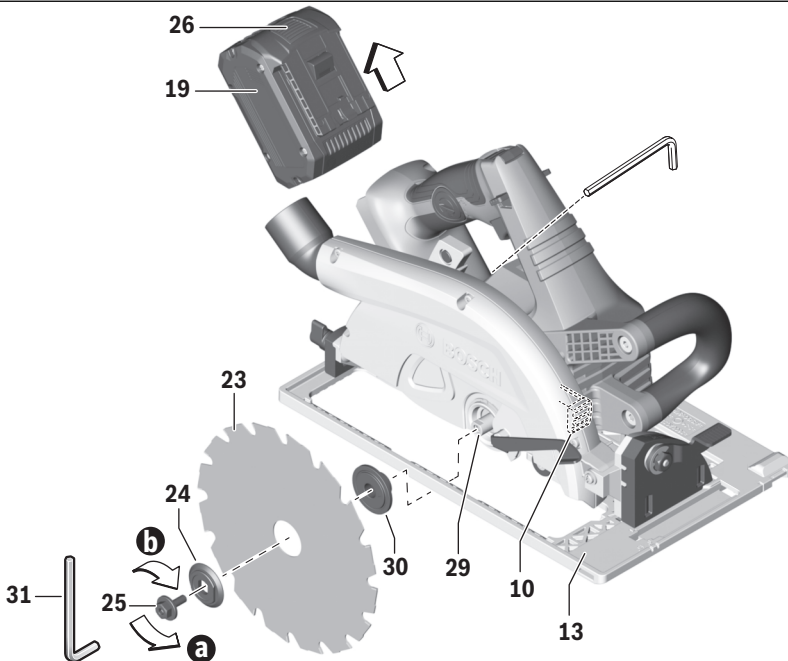
Press the battery pack release button **26** again and slide the battery pack completely out of tool housing (Fig. 2).

### Attaching the Blade

**⚠ WARNING** Use only 7-1/4" (184mm) blade. Use only blade rated 5000/min (RPM) or greater. Using blade not designed for the saw may result in serious personal injury and property damage.

1. Press and hold the shaft lock button **10**. Turn blade stud **25** with provided wrench **31** in the direction **a** and remove blade stud **25** and outer washer **24**. **Note:** the wrench is stored near the battery compartment (Fig. 2).
2. Make sure the saw teeth and arrow on the blade point in the same direction as the arrow on the lower guard.
3. Retract the lower guard all the way up into the upper guard. While retracting the lower guard, check operation and condition of the LOWER GUARD SPRING.

Fig. 2



## Saw Assembly

- Slide blade **23** through slot in the foot **13** and mount it against the inner washer **30** on the shaft **29**. Be sure the large diameter of the outer washer **24** lays flush against the blade (Fig. 2).
- Reinstall outer washer and tighten blade stud **25** finger tight in the direction **b**. Press and hold lock button **10** to lock shaft and TIGHTEN BLADE STUD COUNTER-CLOCKWISE 1/4 TURN WITH THE WRENCH PROVIDED (Fig. 2).

Do not use wrenches with longer handles, since it may lead to over tightening of the blade stud.

### VARI-TORQUE CLUTCH

This clutching action is provided by the friction of the outer washer **24** against the blade **23** and permits the blade shaft to turn when the blade encounters excessive resistance. When the blade stud **25** is properly tightened (as described in No. 5 of Attaching The Blade), the blade will slip when it encounters excessive resistance, thus reducing saw's tendency to KICKBACK.

One setting may not be sufficient for cutting all materials. If excessive blade slippage occurs, tighten the blade stud one mark more. OVERTIGHTENING THE BLADE STUD NULLIFIES THE EFFECTIVENESS OF THE CLUTCH.

## Dust Extraction

**⚠ WARNING** To reduce the risk of injury, always position dust port and vacuum hose so that they do not interfere with the lower guard, or the cutting operation at all settings.

### DUST PORT

The dust port **18** swivels so that dust can be directed in the desired direction (Fig. 3).

### DUST BAG (sold separately)

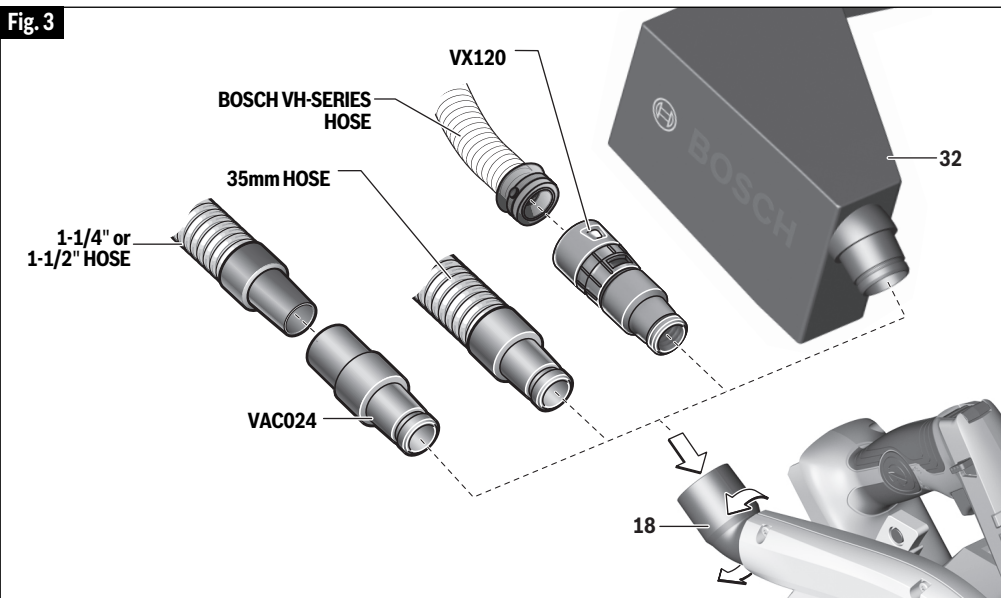
**Using Dust Bag** – To attach the empty dust bag **32**, press-fit its coupler end into the saw's dust port **18** (Fig. 3).

**Cleaning Dust Bag** – After the dust bag is 2/3 to 3/4 full, remove it from the saw. Bring the bag to a proper container and pull open the zipper located on the bottom of the bag. Hold the bag by the coupler end and shake it vigorously until all the dust and debris fall from it. Close zipper and reattach the bag.

NOTE: Clean the bag at the end of the cutting session and before transporting or storing the saw.

**⚠ WARNING** Be extremely careful when disposing of dust. Materials in fine particle form may be

Fig. 3



## Saw Assembly

**explosive. Do not throw sawdust on an open fire. Spontaneous combustion, in time, may result from the mixture of oil or water with dust particles.**

### CONNECTION TO VACUUM CLEANER / DUST EXTRACTOR

Connect the vacuum cleaner hose to the dust port (Fig. 3).

- Bosch VH-series hoses - The VX120 hose adapter is required (included with VH-series hoses).
- Other 35mm and 22mm hoses, such as the Bosch VAC-series hoses - Connect hose directly to the tool.

- Common 1¼" or 1½" hoses - The Bosch VAC024 adapter is required (sold separately).

Connect the vacuum hose to a vacuum cleaner.

**The vacuum cleaner must be suitable for the material being worked on.**

**When vacuuming dry dust that is especially detrimental to health or carcinogenic, use a special vacuum cleaner / dust extractor.**

## Brake Action

**⚠ WARNING** Let the saw blade come to a complete stop before setting the tool down. The brake action of this circular saw is not intended as a safety feature. Unintended contact with a rotating saw blade can cause property damage and/or personal injury.

**⚠ WARNING** Know the charge state of your battery. The electric braking action is initiated ONLY by the release of the trigger switch and in a tool that has power available. When electrical power is lost due to a discharged battery or other causes, the electric brake will not operate and the motor will gradually slow down. Unexpected run down time may cause property damage and/or personal injury.

Your circular saw is equipped with an automatic electric brake, which is designed to stop the saw blade from spinning in approximately two (2) seconds after you release the trigger switch. This feature helps improve jobsite productivity.

Braking starts once the power is turned off. The brake requires a charged battery to function. Stopping time will vary depending on, among other factors, saw blade used, and number of actuations. The electric brake of your circular saw has been designed for a high degree of reliability, but unexpected circumstances such as contamination or failure of the motor's components can cause the brake to not activate. If the tool operates but the brake does not consistently stop the blade in about 2 seconds, DO NOT use the circular saw and have it serviced by a Bosch Factory Service Center or Bosch authorized service facility.

## Operating Instructions

**⚠ WARNING** Disconnect battery pack from tool before making any assembly, adjustments or changing accessories. Such preventive safety measures reduce the risk of starting the tool accidentally.

### Depth Adjustment

**⚠ WARNING** Adjust the cutting depth so that no more than one tooth is visible below the work piece. Excessive blade exposure below the workpiece could result in personal injury and/or property damage.

**⚠ WARNING** The depth adjustment system should be not used to change the depth while the saw is in operation, or for plunge cutting. If blade adjustment shifts while cutting, it may cause binding and kickback.

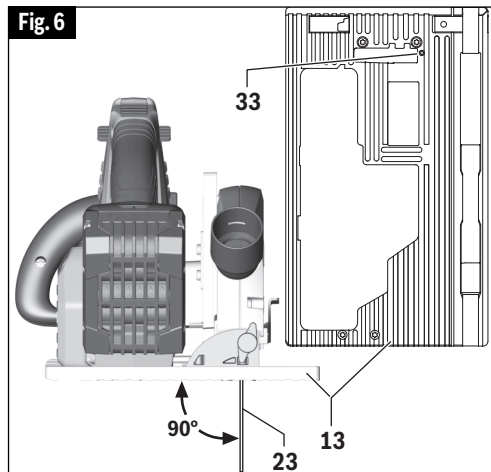
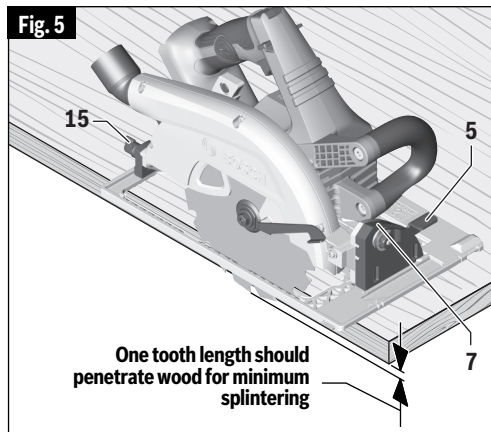
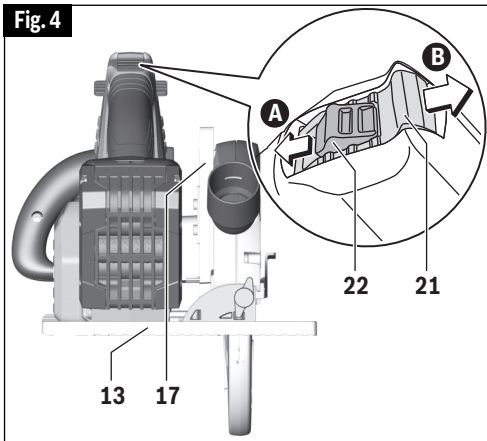
To adjust the cutting depth follow these instructions (Fig. 4):

- A. Disconnect battery pack from tool.
- B. Depressing the depth control locking button **22**.
- C. Slide the depth control release button **21** forward.
  - For a smaller cutting depth, pull the saw away from the foot **13**;
  - for a deeper cutting depth, push the saw toward the foot **13**. The cutting depth scale **17** has both inch and metric scales.

**Note:** Not more than one tooth length of the blade should extend below the material to be cut, for minimum splintering (Fig. 5).

### 90° Cutting Angle Check

- A. Disconnect battery pack from tool.
- B. Set foot to maximum depth of cut setting.
- C. Loosen adjustment lever **5** and the rear bevel adjustment knob **15**, set to 0° on bevel scale **7**, retighten lever **5** and knob **15** (Fig. 5).
- D. Check for 90° angle between the blade and bottom plane of foot **13** with a square (Fig. 6). If necessary, make adjustments by turning the small alignment screw **33** from bottom side of foot **13** with a 2.5 mm allen wrench [not included] (Fig. 6).



## Operating Instructions

### Bevel Adjustment

- Disconnect battery pack from tool.
- Loosen the bevel adjustment lever **5** and the rear bevel adjustment knob **15**.
- Align to desired angle on the bevel scale **7**. The foot can be adjusted up to 50°.
- Tighten bevel adjustment knob **15** and lever **5** (Fig. 5).

Because of the increased amount of blade engagement in the work and decreased stability of the foot, blade binding may occur. Keep the saw steady and the foot firmly on the workpiece.

### Cutting Line Guide Notches

The marked notches **8** and **9** at the front of the footplate indicate the approximate line of the cut (Fig. 7).

#### When track is not being used:

- For a non-bevelled cut, use 0° notch **8**.
- For 45° and 50° bevel cuts, use 45° notch **9**.

#### When track is being used:

- For both beveled and non-beveled cuts use 0° notch **8**.

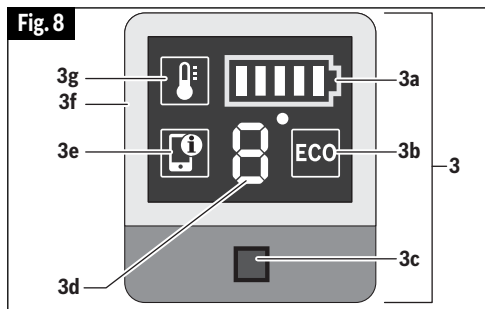
#### For all cuts:

- To ensure minimum splintering on the good side of the material to be cut, face the good side down.
- Make sample cuts in scrap lumber to verify actual line of cut. This will be helpful because of the variety of blade types and thicknesses that are available.
- Use RIGHT side of notch when the part of the workpiece that is to the left of the

blade is the scrap piece (Fig. 7a).

- Use LEFT side of notch when the part of the workpiece that is to the right of the blade is the scrap piece (Fig. 7b).

### User Interface (Fig. 8)



The user interface **3** is used to select the preset speed levels and to indicate the status of the power tool and battery.

### ECO MODE

When full power is not needed, the saw's energy-saving ECO mode can be used to reduce the saw's output power in order to extend the runtime.

If the ECO mode is active, the speed level/mode indicator **3d** displays the symbol "E" and "ECO" icon **3b** lights up.

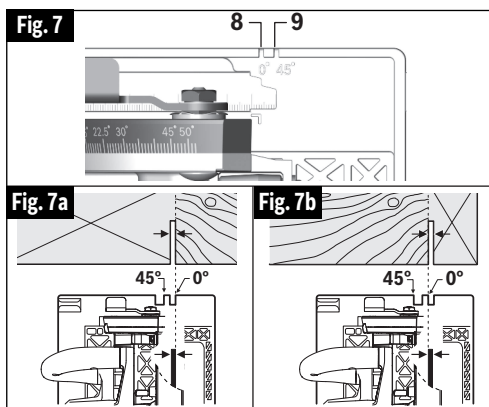
### SPEED PRESETS

The speed settings and the ECO mode are preprogrammed and can be adjusted via the 'Bosch Toolbox' app. For more information on the 'Bosch Toolbox' application, refer to the "Connectivity" chapter on the next page. The table below describes the preset speeds and ECO mode speed.

	Preset Speeds
<b>Eco</b>	3630/min
<b>1</b>	2500/min
<b>2</b>	3000/min
<b>3</b>	3500/min
<b>4</b>	4000/min
<b>5</b>	4500/min
<b>6</b>	5000/min

### BATTERY CHARGE INDICATOR

When the battery charge indicator **3a** is glowing **green**, the battery is charged and the number of bars shows the level of the



## Operating Instructions

charge.

Glowing **yellow** and only one bar indicates that the battery needs to be charged or replaced soon.

Glowing **red** and only one bar means that the battery charge is depleted.

### TEMPERATURE INDICATOR

If the temperature indicator **3g** is glowing **yellow**, the critical temperature of the motor, electronics or battery has been reached. Run the power tool at no load and allow it to cool down.

If the temperature indicator is glowing **red**, power tool is overheated and will switch off. Allow the power tool to cool down.

### SMARTPHONE STATUS INDICATOR

It is necessary to purchase and install a Bosch connectivity module and install the 'BoschToolbox' app to receive information and messages as alerted by the smartphone status indicator. See the Connectivity chapter on the next page.

**Green** Smartphone status indicator **3e** means that there is non-critical information available in the 'Bosch Toolbox' app for user to read.

**Yellow** smartphone status indicator **3e** means that there is important information available (e.g. temperature warning).

**Red** smartphone status indicator **3e** means that there is critical information available. It is recommended that the user reviews the message immediately.

### POWER TOOL STATUS FRAME

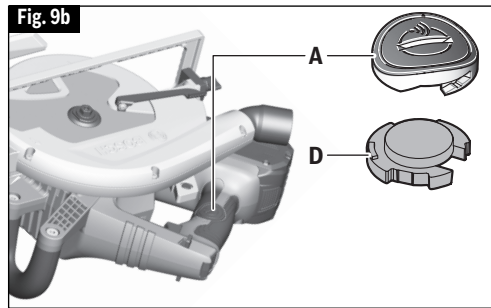
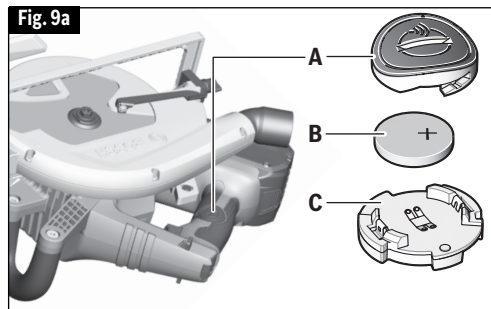
**Green light** of the power tool status frame **3f** means everything is functioning properly.

**Yellow light** means that:

- Critical temperature has been reached (the temperature indicator **3g** is also glowing yellow) - run the tool at no load and allow it to cool down, or
- Battery is almost depleted (the battery charge indicator **3a** is also glowing yellow) - charge or replace the battery soon.

**Red light** means that:

- The tool is overheated (the temperature indicator **3g** is glowing red) - turn the tool off and on again, or
- Battery is depleted (the battery charge indicator **3a** is also glowing red) -



charge or replace the battery.

**Flashing blue light** means that the power tool is connected to a mobile device or settings are being transferred. The user must press the user interface button **3c** to accept and store the new setting(s).

## Connectivity

**WARNING** To reduce the risk of injury read the operating instructions included with Bosch connectivity module. Operating instructions for connectivity module include important information not covered in this manual.

This power tool is Bluetooth capable and select features can be adjusted remotely using a mobile device. Utilizing these features requires installation of a Bosch Bluetooth connectivity module and a mobile device with the Bosch Toolbox app installed.

If connectivity module is not purchased with the tool, or if the replacement of the module or the battery becomes necessary, please follow this procedure (See Fig. 9a):

- Using a flat screwdriver or a coin,



## Operating Instructions

- remove the cover **A** from the side of the handle, by turning it 1/4 turn counter-clockwise (Fig. 9a or 9b).
- If the tool is already equipped with the connectivity module, remove the battery **B**, but do not remove the connectivity module **C**.
  - If the connectivity module is installed for the first time, remove the plastic placeholder **D** from the connectivity module compartment, and place the connectivity module **C** in the compartment observing correct orientation (Fig. 9b). **Note:** Store the placeholder **D** in a safe place. Reinsert the placeholder again if the communications module is removed.
  - Next place new battery **B** on the top of the connectivity module with the “+” polarity facing up (Fig. 9a).
  - Place the cover **A** over the battery and turn it ¼-turn clockwise to lock using a flat screwdriver or a coin.

### USING THE ‘BOSCH TOOLBOX’ APP




The 'Bosch Toolbox' app can be downloaded from the App Store or Google Play.

Install the 'Bosch Toolbox' app on your mobile device or make sure you are running the latest version of the app.

Launch the 'Bosch Toolbox' app on your mobile device and click on “My Tools” icon/tile. Follow the app directions to pair the tool with the mobile device.

### BENEFITS SUMMARY OF CONNECTIVITY MODULE AND APP

When used with the connectivity module, the 'Bosch Toolbox' app will allow for the following with the tool:

- Registration and personalisation
  - Status check and warning messages
  - General information and settings
  - Adjusting the speed levels
-  The help button on the app explains the features of the app.
  -  The info button on the app displays tool information and specifications.
  -  The alerts button displays any alerts received from the tool.

### Lock-off Release Buttons

The Lock-off release buttons are designed

to prevent accidental starts. To operate, press the release button **1** with your thumb on either side of handle to disengage the lock, then pull the trigger **2** (Fig. 1). When the trigger is released the button will engage the safety switch automatically, and the trigger will no longer operate.

### Switch

**When starting the tool, hold it with both hands.** The torque from the motor can cause the tool to twist.

To turn tool on, press the lock-off release button **1** with your thumb on either side of handle to disengage the lock, then pull the trigger **2** (Fig. 1). To turn the tool “OFF”, release the trigger switch, which is spring loaded and will return to the off position automatically.

Your saw should be running at full speed BEFORE starting the cut, and turned off only AFTER completing the cut. To increase switch life, do not turn switch on and off while cutting.

### All Cuts

**⚠ WARNING** Always be sure either hand does not interfere with the free movement of the lower guard.

**⚠ WARNING** After completing a cut and the trigger has been released, be aware of the necessary time it takes for the blade to come to a complete stop during coast down. Do not allow the saw to brush against your leg or side, since the lower guard is retractable, it could catch on your clothing and expose the blade. Be aware of the necessary blade exposures that exist in both the upper and lower guard areas.

Always hold the saw handle with one hand and the auxiliary handle or housing with the other.

Always make sure saw foot rests on portion of work surface that does not drop off.

Maintain a firm grip and operate the switch with a decisive action. Never force the saw. Use light and continuous pressure.

When cutting is interrupted, to resume cutting: squeeze the trigger and allow the blade to reach full speed, re-enter the cut slowly and resume cutting.

## Operating Instructions

When cutting across the grain, the fibers of the wood have a tendency to tear and lift. Advancing the saw slowly minimizes this effect. For a finished cut, a cross cut blade or miter blade is recommended.

### Plunge Cuts

**⚠ WARNING** Adjust the cutting depth to the thickness of the workpiece. Less than a full tooth of the blade teeth should be visible below the workpiece.

**⚠ WARNING** The depth adjustment system should be used to change the depth while the saw is in operation, or for plunge cutting. If blade adjustment shifts while cutting, it may cause binding and kickback.

**⚠ WARNING** As blade starts cutting the material, release the lower guard immediately. When the foot rests flat on the surface being cut, proceed cutting in forward direction to end of cut.

**⚠ WARNING** Allow blade to come to a complete stop before lifting the saw from cut. Also, never pull the saw backward since blade will climb out of the material and KICKBACK will occur. Turn saw around and finish the cut in the normal manner, sawing forward. If corners of your pocket cut are not completely cut through, use a jigsaw or hand saw to finish the corners.

Disconnect battery pack from tool before making adjustments. Set depth adjustment according to material to be cut. Reattach battery pack to the saw. Tilt saw forward with cutting guide notch lined up with the line you've drawn. Raise the lower guard, using lift lever **14** and hold the saw by the front and rear handles (Fig. 10).

With the blade just clearing the material to be cut, start the motor. Gradually lower the back end of saw using the front end of the foot **13** as the hinge point.

### Cutting Large Sheets

Large sheets and long boards sag or bend, depending on support. If you attempt to cut without leveling and properly supporting the piece, the blade will tend to bind, causing KICK-BACK and extra load on the motor (Fig. 11).

Fig. 10

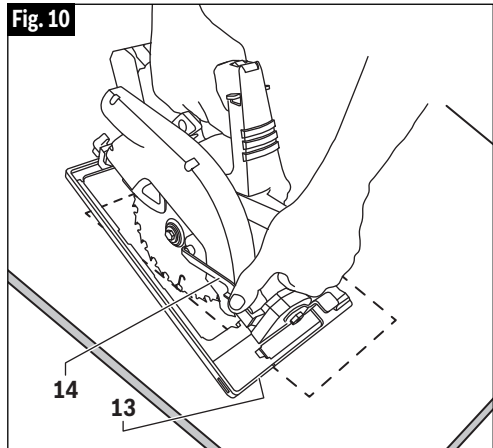


Fig. 11

WRONG

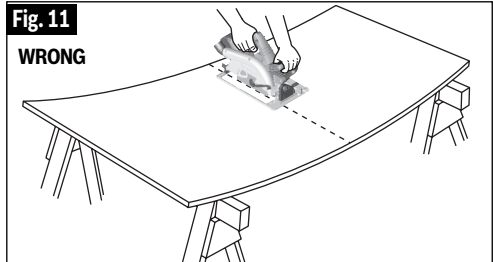
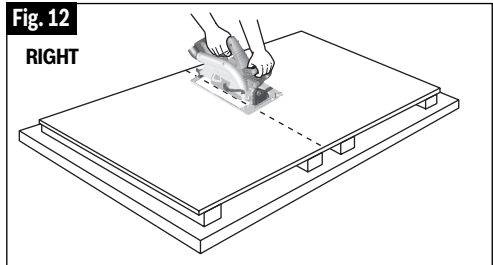


Fig. 12

RIGHT



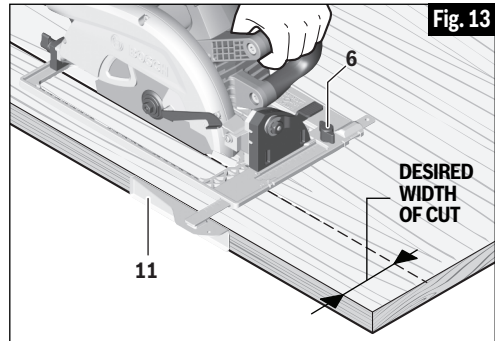
Support the panel or board close to the cut, as shown in (Fig. 12). Be sure to set the depth of the cut so that you cut through the sheet or board only and not the table or work bench. The two-by-fours used to raise and support the work should be positioned so that the broadest sides support the work and rest on the table or bench. Do not support the work with the narrow sides as this is an unsteady arrangement. If the sheet or board to be cut is too large for a table or work bench, use the supporting two-by-fours on the floor and secure.

## Operating Instructions

### Rip Cuts

**⚠ WARNING** After attaching or adjusting the rip fence, be sure the rip fence does not touch or interfere with the free movement of the lower guard or contact the saw blade.

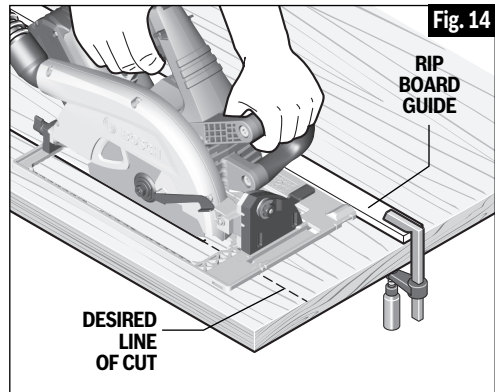
The combination blade provided with your saw is for both cross cuts and rip cuts. Ripping is cutting lengthwise with the grain of the wood. Narrow rip cuts are easy to do with a rip fence (Fig. 13). To attach optional rip fence **11**, insert fence through slots in foot to desired width as shown and secure with the knob **6**.



### Rip Board Guide

When rip cutting large sheets, the rip fence may not allow the desired width of cut. Clamp or nail a straight piece of 1" (25 mm) lumber to the sheet as a guide (Fig. 14). Use the left side of the foot against the board guide.

The GKS18V-25GC's auxiliary handle is designed to allow lumber as thick as 2x ("2-by") to be used as a guide.



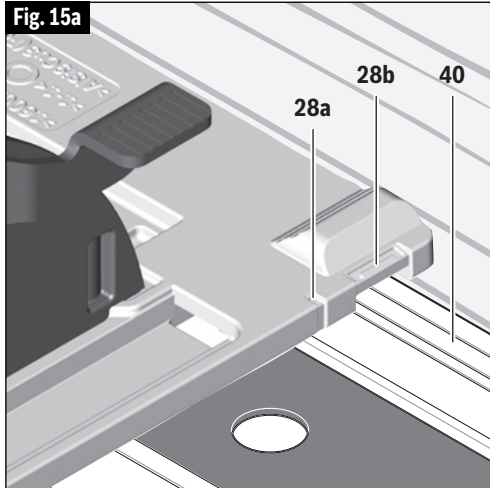
## Operating Instructions

### Precision Sawing With Track

**⚠ WARNING** The depth adjustment system should be not used to change the depth while the saw is in operation, or for plunge cutting. If blade adjustment shifts while cutting, it may cause binding and kickback.

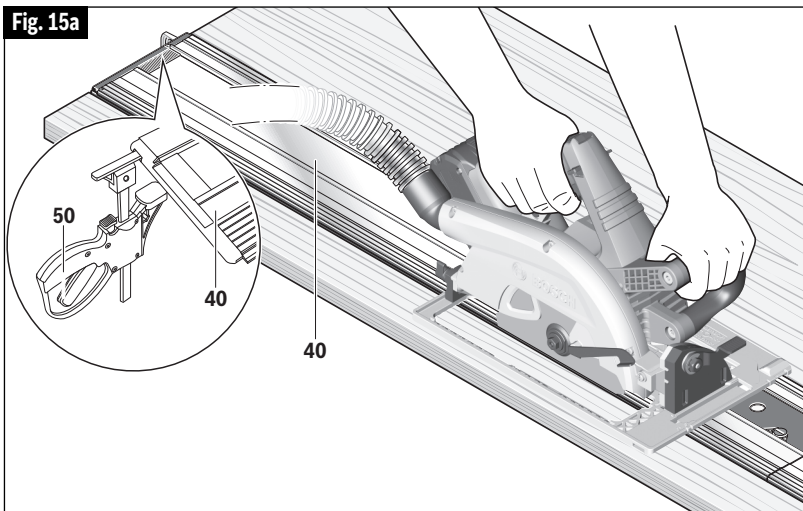
The GKS18V-25GC can be used with the Bosch track system to enhance the straightness of the cut (Fig. 15b).

- Make sure that track **40** is prepared, positioned and clamped as shown in “Preparing Track” section on page 22.
- Make sure that the saw’s footplate is properly placed on track. This is achieved when the **28a** slot on the bottom of the saw is placed over the raised ridge in the Bosch tracks (Fig. 15a). (The **28b** slot will fit over some tracks from other manufacturers, but we recommend that this saw be used only with Bosch saw tracks.)
- Take extra care when placing saw on portion of a track that extends beyond



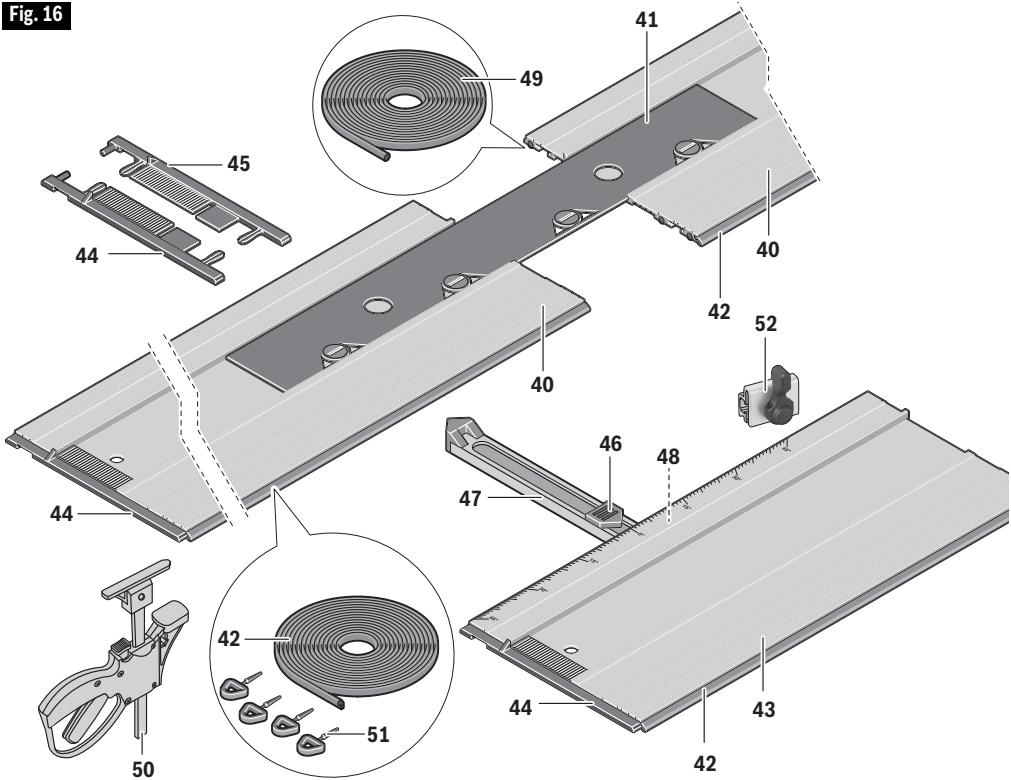
the leading or ending edge of the workpiece.

- Prior to removing saw from track, raise saw head and retract blade first and allow blade to come to a complete stop.



## Getting to Know Your Track System

**Fig. 16**



- |                              |                                 |                             |
|------------------------------|---------------------------------|-----------------------------|
| <b>40</b> Track              | <b>45</b> End cap, right        | <b>50</b> Track Clamps (x2) |
| <b>41</b> Track Connector    | <b>46</b> Miter angle indicator | <b>51</b> Spikes            |
| <b>42</b> Anti-splinter edge | <b>47</b> Fence                 | <b>52</b> Travel Stop       |
| <b>43</b> Miter guide        | <b>48</b> Miter locking knob    |                             |
| <b>44</b> End cap, left      | <b>49</b> Traction strip        |                             |

**The track system is sold separately**

## Track Assembly

### ADAPTING THE FOOT PLATE TO VARIOUS TRACKS

The GKS18V-25GC is designed specifically for precision straight cutting while using a track for guidance.

The Bosch tracks (sold separately) are available in four sizes:

FSN800	31.5" (800 mm)
FSN1100	43.3" (1100 mm)
FSN1600	63" (1600 mm)
FSN2100	82.7" (2100 mm)

### PREPARING TRACK

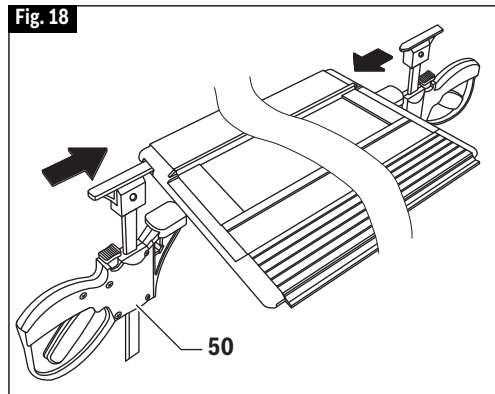
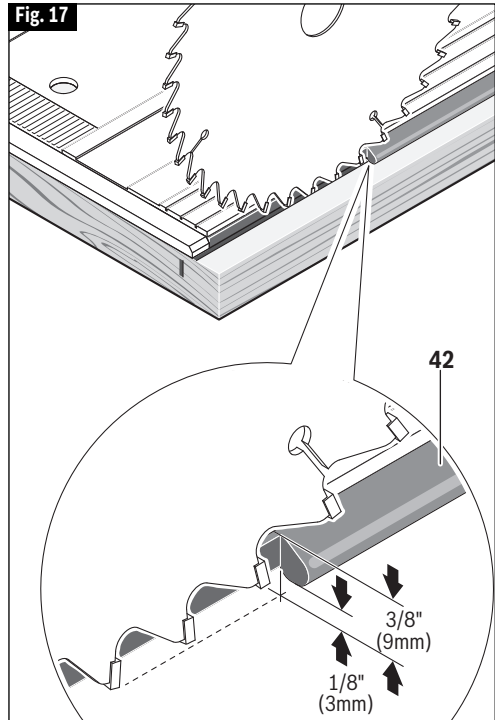
Prior to using a track for the first time, the track's rubber anti-splinter edge **42** must be adapted to the specific saw and blade to be used.

- Place the complete length of track onto a scrap workpiece that is at least 3/4" (19mm) thick.
- Secure the tracks as described in "SECURING TRACKS" further.
- Place the saw onto the tracks.
- Adjust the saw's cutting depth to approximately 3/8" (9 mm) and the bevel angle to 0°. This will result in the blade extending 1/8" (3mm) below the anti-splinter edge (Fig. 17).
- Following the instructions in the "Switch" section on page 17, switch on the saw and guide it uniformly with a slow feed rate through the end of the track.

### SECURING TRACKS

**⚠ WARNING** To avoid the risk of injury and/or property damage, only use the track clamps to secure the track.

Once the track has been placed in the desired position, insert a track clamp **50** in from each end of the track, then tighten the clamps against the workpiece (Fig. 18).



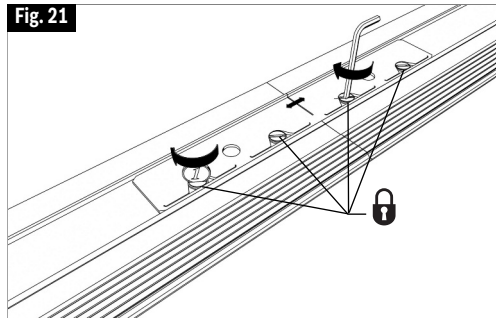
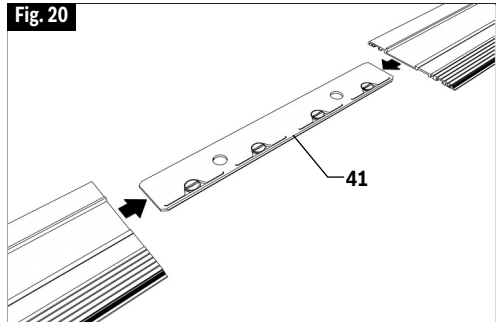
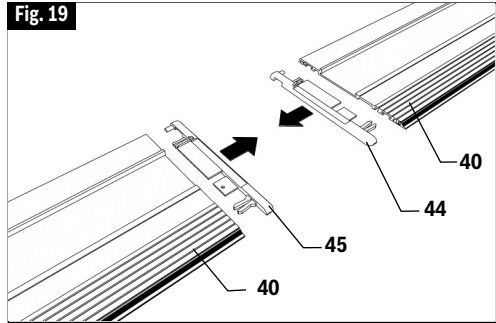
## Track Assembly

### PROTECTIVE END CAPS

These caps help to protect the ends of the tracks from damage, such as when dropped on their ends (Fig. 19). The left **44** and right **45** caps are NOT interchangeable. If one or both of the end caps become damaged, they should simply be replaced.

### CONNECTING MULTIPLE TRACKS

- A. Pull out the end caps **44** and **45** from facing ends of the tracks **40** to be connected. Store the end caps in a safe place (Fig. 19).
- B. Insert the connector **41** into one of the tracks **40** as shown and then slide another track onto the other end of the connector (Fig. 20).
- C. Make sure that the tracks have no gap in between them. Move the connector **41** so that the center mark “ $\leftarrow| \rightarrow$ ” is positioned at the joint line. Turn all four locks with a screw driver or a coin to secure the connection (Fig. 21).



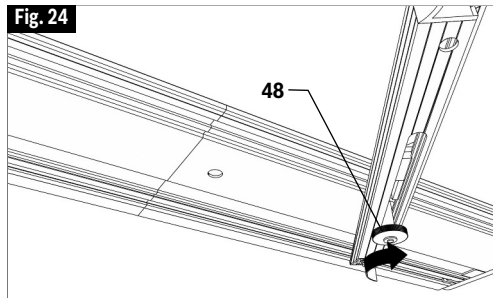
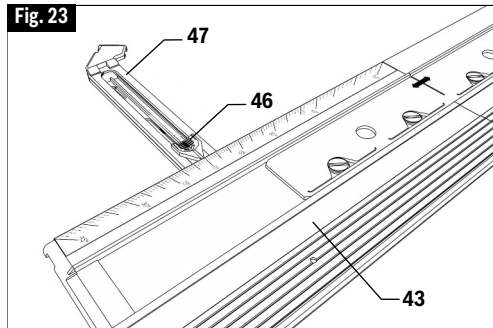
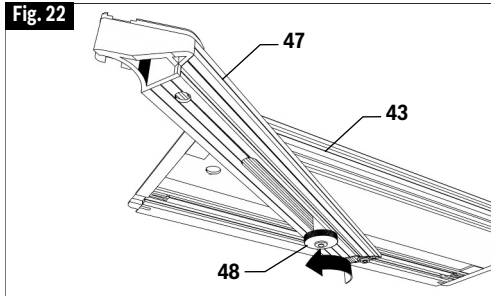
## Track Assembly

### MITER GUIDE

The miter guide **43** (sold separately) can be used to precisely position a track from 60° left to 45° right.

The miter guide must be positioned at the front end of track.

- A. Loosen the knob **48** on the bottom of the miter guide (Fig. 22).
- B. Follow instructions in “Connecting Multiple Tracks” to attach the miter guide to the desired track using connector **41**.
- C. Use the fence **47** to set the desired angle. As the fence is moved, the indicator **46** shows the angle (Fig. 23).
- D. Once the desired angle is set, tighten the knob **48** on the bottom of the miter guide to hold it at that angle (Fig. 24).
- E. Position the fence and connected track such that the fence rests against the workpiece.
- F. Once the miter guide and connected track have been positioned as desired, secure the miter guide and connected track in place (refer to “Securing Tracks”).



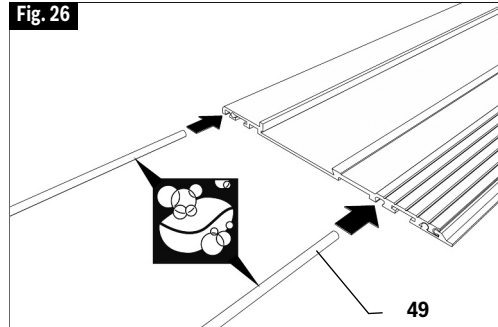
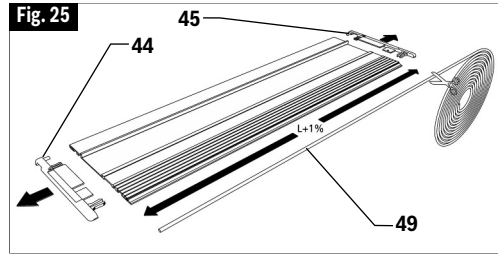


## Track Assembly

### TRACTION STRIPS

It is important that the two rubberlike strips on the bottom of the tracks maintain their ability to minimize the possibility of the track shifting during a cut. If one or both of the strips become worn, they should be replaced. The traction strip roll is 11 feet (3.35m) long.

- Pull out both end caps **44** and **45** and remove the worn out strips (Fig. 25).
- Unroll and cut two lengths of traction strip **49** that are 1% longer than the length of the track. E.g. for FSN800 the length of strip should be 80.8cm/31.8" (Fig. 25).
- Place a light coating of soap on the new strip to make it easier to slide in the grooves on the bottom side of tracks. Pull the strip through the groove to the far end of the track. Cut off the excess strips (Fig. 26).
- Re-insert both end caps **44** and **45**.

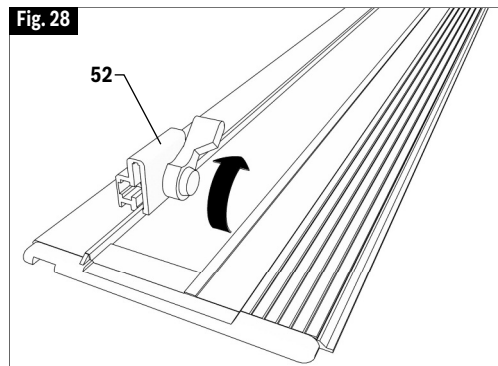
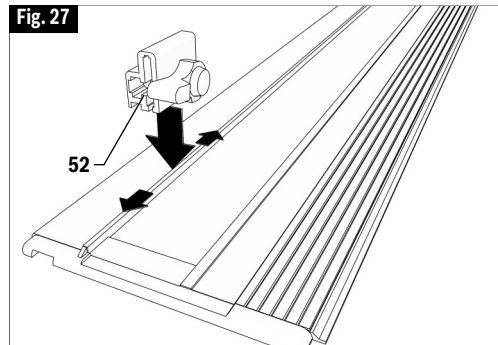


### TRAVEL STOP FOR TRACK

The travel stop **52** (sold separately) can be used to limit the saw's range of travel (cutting distance) on a track. The stop can be used to help set the starting location of plunge cut or the end point of the cut.

- Align the track along the intended cut line and clamp into place as described in "Securing Tracks" on page 23.
- Orient the stop on the track as shown (Fig. 27).
- Determine the desired start point or end point for the cut.
- Position the saw such that it will sit in the position where the plunge cut is supposed to start or end.
- Once the saw placed in the desired location, tighten the stop **52** in place using its lever (Fig. 28).

Move the saw forward to continue the cut until the desired endpoint. When the desired end point is reached, pull the saw's head up, and it will retract to the starting position, and the plunging mechanism becomes locked again.



## Track Assembly

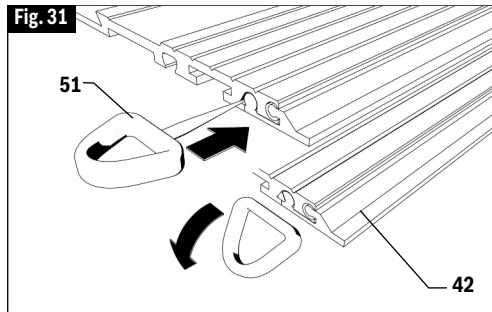
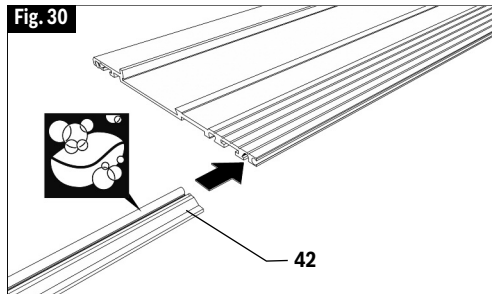
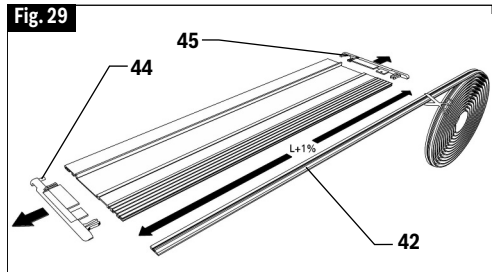
### ANTI-SPLINTER EDGE

To minimize splintering of the workpiece, a worn edge should be replaced. The anti-splinter edge comes in a roll that is 11 feet (3.35m) long and can be cut to size for any given track.

- A. Pull out both end caps **44** and **45** and remove the worn out anti-splinter edge. (Fig. 29).
- B. Unroll and cut a length of anti-splinter edge **42** that is 1% longer than the length of the track. E.g. for FSN800 the length of strip should be 80.8cm/31.8" (Fig. 29).
- C. Place a light coating of soap on the new edge to make it easier to slide in the grooves on the bottom side of track (Fig. 30).
- D. Pull the edge though the groove to the far end of the track. Cut off the excess strips. To help prevent the anti-splinter strip from shifting, press one of the spikes **51** into the track alongside the strip at each end. Bend the spike's handle down to break off the handle (Fig. 31).
- E. Re-insert the end caps **44** and **45**.
- F. See "Preparing Track" section on page 22 about adapting the anti-splinter edge to a given saw and blade.

### CARRY BAG

The rugged bag accepts two FSN1600 tracks (or shorter) and has a pocket for a Connector and/or a pair of the track quick clamps.



## Maintenance

**⚠ WARNING** To avoid accidents, always disconnect battery pack from tool before cleaning or performing any maintenance.

### Service

**⚠ WARNING** NO USER SERVICE-ABLE PARTS INSIDE. Preventive maintenance performed by unauthorized personnel may result in misplacing of internal wires and components which could cause serious hazard. We recommend that all tool service be performed by a Bosch Factory Service Center or Authorized Bosch Service Station.

### Batteries

**Be alert for battery packs that are nearing their end of life.** If you notice decreased tool performance or significantly shorter running time between charges then it is time to replace the battery pack. Failure to do so can cause the tool to operate improperly or damage the charger.

### Tool Lubrication

Your Bosch tool has been properly lubricated and is ready for use.

### D.C. Motors

The motor in your tool has been engineered for many hours of dependable service. To maintain peak efficiency of the motor, we recommend it be examined every six months. Only a genuine Bosch replacement motor specially designed for your tool should be used.

### Bearings

Bearings which become noisy (due to heavy load or very abrasive material cutting) should be replaced at once to avoid overheating and motor failure.

### Cleaning

**⚠ CAUTION** Certain cleaning agents and solvents damage plastic parts. Some of these are: gasoline, carbon tetrachloride, chlorinated cleaning solvents, ammonia and household detergents that contain ammonia.

Ventilation openings and switch levers must be kept clean and free of foreign matter. Do not attempt to clean by inserting pointed objects through opening.

**Develop a periodic maintenance schedule for your tool. When cleaning a tool be careful not to disassemble any portion of the tool since internal wires may be misplaced or pinched or safety guard return springs may be improperly mounted.** Certain cleaning agents such as gasoline, carbon tetrachloride, ammonia, etc. may damage plastic parts.

### Care of Blades

Blades become dull even from cutting regular lumber. If you find yourself forcing the saw forward to cut instead of just guiding it through the cut, chances are the blade is dull or coated with wood pitch.

When cleaning gum and wood pitch from blade, remove the battery from the saw and remove the blade. Remember, blades are designed to cut, so handle carefully. Wipe the blade with kerosene or similar solvent to remove the gum and pitch. Unless you are experienced in sharpening blades, we recommend you do not try.

## Accessories and Attachments





**⚠ WARNING** The use of any other attachments or accessories not specified in this manual may create a hazard.

Store accessories in a dry and temperate environment to avoid corrosion and deterioration.

Bosch No.	Description	Included	Sold Separately
<b>Accessories</b>			
CBCL724	7¼" (184mm) thin kerf 24 tooth carbide blade	●	●
<b>Attachments</b>			
2610041761	Carry Bag	●	●
GKSRIP	Rip fence	-	●
160541101V	Dust Bag	-	●
Various	Vacuum Hoses	-	●
VAC024	Vacuum Hose Adapter for 1/14" and 1-1/2" Hoses	-	●
GCY42	Connectivity module	-	●
FSN...	Tracks	-	●
FSNKK	Track Clamps	-	●
FSNVEL	Track Connector	-	●
FSNWAN	Track Miter Guide	-	●
FSNRS	Track Travel Stop	-	●
FSNSS	Anti-splinter Edge	-	●
FSNHB	Traction Strip	-	●
FSNBAG	Carry Bag	-	●

## Symboles relatifs à la sécurité

Les définitions ci-dessous décrivent le niveau de gravité pour chaque terme signalant un danger. Veuillez lire le mode d'emploi et lire la signification de ces symboles.

	C'est le symbole d'alerte relatif à la sécurité. Il est utilisé pour vous avertir de l'existence possible d'un danger de lésion corporelle. Obéissez à tous les messages relatifs à la sécurité qui suivent ce symbole pour éviter tout risque de blessure ou même de mort.
	DANGER indique une situation dangereuse qui, si elle n'est pas évitée, causera la mort d'une personne ou une blessure grave.
	AVERTISSEMENT indique une situation dangereuse qui, si elle n'est pas évitée, pourrait causer la mort d'une personne ou une blessure grave.
	MISE EN GARDE indique une situation dangereuse qui, si elle n'est pas évitée, causera une blessure légère ou modérée.

## Avertissements généraux concernant la sécurité des outils électroportatifs

**AVERTISSEMENT** Lisez toutes les consignes de sécurité, instructions, illustrations et spécifications fournies avec cet outil électrique. Le non-respect de toutes les instructions figurant ci-après pourrait causer un choc électrique, un incendie et/ou des blessures graves.

### CONSERVEZ TOUS LES AVERTISSEMENTS ET TOUTES LES CONSIGNES DE SÉCURITÉ POUR RÉFÉRENCE FUTURE.

Dans les avertissements, le terme « outil électroportatif » se rapporte à votre outil branché sur le secteur (avec fil) ou à votre outil alimenté par piles (sans fil).

## 1. Sécurité du lieu de travail

- Maintenez le lieu de travail propre et bien éclairé.** Les risques d'accident sont plus élevés quand on travaille dans un endroit encombré ou sombre.
- N'utilisez pas d'outils électroportatifs dans des atmosphères explosives, comme par exemple en présence de gaz, de poussières ou de liquides inflammables.** Les outils électroportatifs produisent des étincelles qui risquent d'enflammer les poussières ou les vapeurs.
- Éloignez les enfants et les visiteurs quand vous vous servez d'un outil électroportatif.** Vous risquez une perte de contrôle si on vous distrait.

## 2. Sécurité électrique

- Les fiches des outils électroportatifs doivent correspondre à la prise. Il ne faut absolument jamais modifier la fiche. N'utilisez pas d'adaptateur de prise avec des outils électroportatifs munis d'une**

**fiche de terre.** Le risque de choc électrique est moindre si on utilise une fiche non modifiée sur une prise qui lui correspond.

- Évitez tout contact du corps avec des surfaces reliées à la terre tels que tuyaux, radiateurs, gazinières ou réfrigérateurs.** Le risque de choc électrique augmente si votre corps est relié à la terre.
- N'exposez pas les outils électroportatifs à la pluie ou à l'humidité.** Si de l'eau pénètre dans un outil électroportatif, le risque de choc électrique augmente.
- Ne maltraitez pas le cordon. Ne vous en servez jamais pour transporter l'outil électroportatif, pour le tirer ou pour le débrancher. Éloignez le cordon de la chaleur, des huiles, des arêtes coupantes ou des pièces mobiles.** Les cordons abîmés ou emmêlés augmentent les risques de choc électrique.
- Si vous utilisez un outil électroportatif à l'extérieur, employez une rallonge conçue pour l'extérieur.** Ces rallonges sont faites pour l'extérieur et réduisent le risque de

## Avertissements généraux concernant la sécurité des outils électroportatifs

choc électrique.

- f. S'il est absolument nécessaire d'utiliser l'outil électroportatif dans un endroit humide, utilisez une alimentation protégée par un disjoncteur de fuite de terre (GFCI).** L'utilisation d'un disjoncteur GFCI réduit les risques de choc électrique.

### 3. Sécurité personnelle

- a. Restez concentré, faites attention à ce que vous faites, et servez-vous de votre bon sens lorsque vous utilisez un outil électroportatif. N'employez pas d'outils électroportatifs quand vous êtes fatigué ou sous l'emprise de drogues, d'alcool ou de médicaments.** Quand on utilise des outils électroportatifs, il suffit d'un moment d'inattention pour causer des blessures corporelles graves.
- b. Utilisez des équipements de sécurité personnelle. Portez toujours une protection oculaire.** Le port d'équipements de sécurité tels que des masques antipoussières, des chaussures de sécurité antidérapantes, des casques de chantier et des protecteurs d'oreilles dans des conditions appropriées réduira le risque de blessure corporelle.
- c. Évitez les démarrages intempestifs. Assurez-vous que l'interrupteur est dans la position arrêt (Off) avant de brancher l'outil dans une prise de courant et/ou un bloc-piles, de le ramasser ou de le transporter.** Le transport d'un outil électroportatif avec le doigt sur la gâchette ou le branchement de cet outil quand l'interrupteur est en position de marche (ON) est une invite aux accidents.
- d. Enlevez toutes les clés de réglage avant de mettre l'outil électroportatif en marche.** Si on laisse une clé sur une pièce tournante de l'outil électroportatif, il y a risque de blessure corporelle.
- e. Ne vous penchez pas. Conservez toujours une bonne assise et un bon équilibre.** Ceci vous permettra de mieux maîtriser l'outil électroportatif dans des situations inattendues.
- f. Habillez-vous de manière appropriée. Ne portez pas de vêtements amples ou de bijoux. Attachez les cheveux longs. N'approchez pas les cheveux, les vêtements ou les gants des pièces en mouvement.** Les vêtements amples, les bijoux ou les cheveux longs risquent d'être happés par les pièces en mouvement.

- g. Si l'outil est muni de dispositifs permettant le raccordement d'un système d'aspiration et de collecte des poussières, assurez-vous que ces dispositifs sont raccordés et utilisés correctement.** L'utilisation d'un dépoussiéreur peut réduire les dangers associés à l'accumulation de poussière.
- h. Ne laissez pas la familiarité résultant de l'utilisation fréquente des outils vous inciter à devenir complaisant(e) et à ignorer les principes de sécurité des outils.** Une action négligente pourrait causer des blessures graves en une fraction de seconde.

### 4. Utilisation et entretien des outils électroportatifs

- a. Ne forcez pas sur l'outil électroportatif. Utilisez l'outil électroportatif qui convient à la tâche à effectuer.** L'outil qui convient à la tâche fait un meilleur travail et est plus sûr à la vitesse pour lequel il a été conçu.
- b. Ne vous servez pas de l'outil électroportatif si son interrupteur ne parvient pas à le mettre en marche ou à l'arrêter.** Tout outil électroportatif qui ne peut pas être commandé par son interrupteur est dangereux et doit être réparé.
- c. Débranchez la fiche de la prise secteur et/ou retirez le bloc-piles de l'outil électrique (s'il est amovible) avant d'y apporter de quelconques modifications, de changer d'accessoire ou de ranger l'outil électrique.** De telles mesures de sécurité préventive réduisent le risque de démarrage intempestif de l'outil électroportatif.
- d. Rangez les outils électroportatifs dont vous ne vous servez pas hors de portée des enfants et ne permettez pas à des personnes qui ne connaissent pas l'outil électroportatif ou qui ignorent ces consignes de s'en servir.** Les outils électroportatifs sont dangereux dans les mains d'utilisateurs inexpérimentés.
- e. Entretenez de façon appropriée les outils électriques et les accessoires. Assurez-vous que les pièces en mouvement sont bien alignées et qu'elles ne se coincent pas, qu'il n'y a pas de pièces cassées ou qu'il n'existe aucune situation pouvant affecter le fonctionnement de l'outil électrique. Si l'outil est abîmé, faites-le réparer avant de l'utiliser.** De nombreux accidents sont causés par des outils électroportatifs mal entretenus.

## Avertissements généraux concernant la sécurité des outils électroportatifs

- f. **Maintenez les outils coupants affûtés et propres.** Les outils coupants entretenus correctement et dotés de bords tranchants affûtés sont moins susceptibles de coincer et sont plus faciles à maîtriser.
  - g. **Utilisez l'outil électroportatif, les accessoires et les embouts d'outil, etc. conformément à ces instructions, en tenant compte des conditions de travail et des travaux à réaliser.** L'emploi d'outils électroportatifs pour des tâches différentes de celles pour lesquelles ils ont été prévus peut résulter en une situation dangereuse.
  - h. **Gardez les poignées et les surfaces de préhension propres, sèches et exemptes de toute trace d'huile ou de graisse.** Les poignées et les surfaces de préhension glissantes ne permettent pas une manipulation et un contrôle sûrs de l'outil dans des situations inattendues.
- un incendie.
  - d. **Dans des conditions abusives, du liquide peut être éjecté de la pile ; dans un tel cas, évitez tout contact avec ce liquide. Si un contact se produit accidentellement, rincez avec de l'eau. Si le liquide entre en contact avec les yeux, consultez un médecin.** Du liquide éjecté de la pile peut causer des irritations ou des brûlures.
  - e. **N'utilisez pas un bloc-piles ou un outil qui est endommagé ou a été modifié.** Des piles endommagées ou modifiées peuvent se comporter de façon imprévisible et causer un incendie ou une explosion, ou entraîner des blessures.
  - f. **N'exposez pas un bloc-piles ou un outil à un incendie ou à une température excessive.** L'exposition à un incendie ou à une température supérieure à 265° F (130° C) pourrait causer une explosion.
  - g. **Suivez toutes les instructions relatives à la charge et ne chargez pas le bloc-piles ou l'outil en dehors de la plage de température indiquée dans les instructions.** Une charge dans des conditions appropriées ou à des températures en dehors de la plage spécifiée pourrait endommager les piles et augmenter le risque d'incendie.

### 5. Utilisation et entretien des outils à piles


- a. **Rechargez les piles uniquement avec le chargeur spécifié par le fabricant.** Un chargeur qui convient à un type de bloc-piles peut entraîner un risque d'incendie quand il est utilisé avec un autre bloc-piles.
- b. **Utilisez des outils électroportatifs uniquement avec les bloc-piles spécifiquement désignés pour eux.** L'utilisation de tout autre bloc-piles peut créer un risque de blessures et d'incendie.
- c. **Lorsque le bloc-piles n'est pas utilisé, gardez-le à distances d'autres objets métalliques tels que des trombones, des pièces de monnaie, des clés, des clous, des vis ou de tout autre objet métallique pouvant faire une connexion entre une borne et une autre.** Court-circuiter les bornes des piles peut causer des brûlures ou

### 6. Entretien

- a. **Faites réparer votre outil électroportatif par un agent de service qualifié n'utilisant que des pièces de rechange identiques.** Ceci assure que la sécurité de l'outil électroportatif est préservée.
- b. **Ne tentez jamais de réparer des blocs-piles endommagés.** La réparation de blocs-piles ne doit être effectuée que par le fabricant ou un prestataire de services agréé.

## Consignes de sécurité pour les scies circulaires

### Procédures de coupe

- a. ** DANGER** Tenez les mains à l'écart de l'aire de coupe et de la lame. Gardez votre deuxième main sur la poignée auxiliaire ou le carter du moteur. Quand les mains tiennent la scie, elles ne peuvent pas être coupées par la lame.
- b. **N'introduisez pas la main sous la pièce à travailler.** Le garde ne peut pas vous protéger de la lame sous la pièce à travailler.
- c. **Ajustez la profondeur de coupe en fonction de l'épaisseur de la pièce à travailler.** Il doit seulement être possible de voir moins d'une dent complète des dents de la lame au-dessous de la pièce à travailler.
- d. **Ne tenez jamais l'ouvrage dans vos mains ou sur vos jambes pendant la coupe. Sécurisez l'ouvrage sur une plateforme stable.** Il importe de supporter l'ouvrage adéquatement afin de minimiser l'exposition corporelle, le grippage de lame ou la perte de contrôle.
- e. **Tenez l'outil électroportatif par les surfaces isolées de préhension quand vous effectuez une opération au cours de laquelle l'outil de coupe peut venir en contact avec des fils dissimulés.** Le contact avec un fil sous tension rendra également les parties métalliques exposées de l'outil sous tension et causera des chocs à l'opérateur.
- f. **En refendant, utilisez toujours un guide de refente ou une règle.** Ceci améliore la précision de la coupe et réduit le risque de coincement de la lame.
- g. **Utilisez toujours des lames avec trous d'arbre de la dimension et de la forme appropriées (en diamant par rapport à rondes).** Les lames qui ne correspondent pas au matériel de fixation de la scie se décentreront et causeront une perte de contrôle.
- h. **N'utilisez jamais des rondelles ou boulon de lame abîmés ou incorrects.** Les rondelles et le boulon de lame ont été conçus spécialement pour votre scie, pour une performance optimale et pour un fonctionnement des plus sûrs.

### Causes des rebonds et avertissements associés

Le rebond est une réaction soudaine à une lame de scie pincée, coincée ou mal alignée,

provoquant le soulèvement et le retrait d'une scie qui n'est plus contrôlée depuis l'ouvrage vers l'opérateur.

Lorsque la lame est pincée ou coincée étroitement dans l'entaille créée par le trait de scie, la lame cale et la réaction du moteur ramène rapidement l'instrument vers l'opérateur.

Si la lame devient tordue ou mal alignée dans la coupe, les dents du bord arrière de la lame peuvent s'enfoncer dans la surface supérieure du bois, amenant ainsi la lame à sortir du trait de scie et à revenir vers l'opérateur.

Le rebond est le résultat d'une utilisation erronée de la scie et/ou de méthodes ou de conditions de fonctionnement incorrectes, et on peut l'éviter en prenant les précautions appropriées, comme indiqué ci-après :

- a. **Maintenez une prise ferme avec les deux mains sur la scie et positionnez vos bras de manière à résister aux forces de rebond. Positionnez votre corps d'un côté ou de l'autre de la lame, mais pas dans la trajectoire de la lame.** Le rebond peut faire que la lame saute en arrière, mais l'opérateur peut contrôler les forces de rebond en prenant les précautions appropriées.
- b. **Lorsque la lame grippe ou lorsqu'une coupe est interrompue pour quelque motif que ce soit, relâchez la gâchette et tenez la scie sans bouger dans l'ouvrage jusqu'à ce que la lame s'arrête complètement. Ne tentez jamais de retirer la scie de l'ouvrage ou de tirer la scie vers l'arrière pendant que la lame est en mouvement, ce qui pourrait provoquer un rebond.** Recherchez la cause du grippage de lame et prenez les mesures nécessaires pour le corriger.
- c. **Lorsque vous remettez une scie dont la lame est engagée dans un ouvrage en marche, centrez la lame de la scie sur le trait de coupe de manière que les dents de la scie ne soient pas engagées dans le matériau.** Si une lame de scie se coince, elle risque de remonter ou de rebondir hors de l'ouvrage lorsque la scie est remise en marche.
- d. **Supportez les gros panneaux pour minimiser le risque de pincement de lame et de rebond.** Les gros panneaux ont tendance à s'affaisser sous leur propre poids. Des supports doivent être placés sous le panneau des deux côtés, près de la ligne de coupe et près du bord du panneau.
- e. **N'utilisez pas une lame émoussée ou abîmée.** Les lames non affûtées ou réglées de



## Consignes de sécurité pour les scies circulaires

façon inappropriée produisent un trait de scie étroit, ce qui cause une friction excessive, un grippage de lame et un rebond.

- f. **Les leviers de blocage de réglage de biseau et de profondeur de lame doivent être serrés et fermes avant de pratiquer la coupe.** Un déplacement du réglage de lame durant la coupe peut causer un grippage et un rebond.
- g. **Les leviers de blocage de réglage de biseau et de profondeur de lame doivent être serrés et fermes avant de pratiquer la coupe.** Un déplacement du réglage de lame durant la coupe peut causer un grippage et un rebond.

### Fonction du garde inférieur

- a. **Vérifiez le garde inférieur pour vous assurer qu'il ferme adéquatement avant chaque usage. N'utilisez pas la scie si le garde inférieur ne bouge pas librement et ne ferme pas instantanément. N'immobilisez jamais (que ce soit par une bride ou un fil quelconque) le garde inférieur en position ouverte.** Si vous avez laissé tomber la scie accidentellement, il se peut que le garde inférieur soit tordu. Soulevez le garde inférieur avec la poignée rétractable et assurez-vous qu'il bouge librement et ne

touche pas la lame ou toute autre pièce, à tous les angles et à toutes les profondeurs de la coupe.

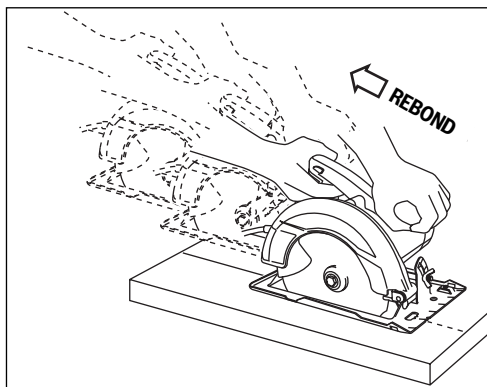
- b. **Vérifiez le fonctionnement du ressort du garde inférieur. Si le garde et le ressort ne fonctionnent pas correctement, ils doivent être réparés avant toute nouvelle utilisation.** Le garde inférieur risque de fonctionner lentement à cause de pièces endommagées, de dépôts de gomme ou d'une accumulation de débris.
- c. **Le garde inférieur ne peut être rétracté manuellement que pour des coupes spéciales telles que les « coupes plongeantes » et les « coupes composées ». Soulevez le garde inférieur par la poignée rétractable et, dès que la lame pénètre dans le matériau, le garde inférieur doit être relâché.** Pour toutes les autres opérations de sciage, le garde inférieur doit pouvoir fonctionner automatiquement.
- d. **Observez toujours que le garde inférieur recouvre la lame avant de poser la scie sur un banc ou sur le sol.** Une lame en train de tourner librement sans protection causera un mouvement vers l'arrière de la scie, qui coupera tout ce qui est sur son chemin. Déterminez le temps nécessaire pour que la lame s'arrête après avoir actionné l'interrupteur, et tenez-en compte.

## Consignes de sécurité supplémentaires pour les scies circulaires

- a. **Inspectez la condition et la qualité du bois et si vous trouvez des clous, retirez-les avant de couper.** Le bois mouillé, le bois vert ou le bois traité par pression nécessite une attention spéciale durant la coupe pour prévenir le rebond.
- b. **Tenez la scie fermement pour prévenir une perte de contrôle.** Les figures de ce manuel illustrent le support manuel typique de la scie.
- c. **Suivant l'usage, l'interrupteur peut ne pas durer aussi longtemps que la scie. Si l'interrupteur fait défaut en position d'arrêt, la scie peut ne pas se mettre en marche. S'il devient défectueux pendant que la scie est en marche, la scie peut ne pas s'arrêter.** Dans l'un ou l'autre cas, retirez immédiatement le bloc-piles de la scie et ne l'utilisez pas avant qu'il ne soit réparé.
- d. **Cette scie circulaire ne doit pas être montée sur une table et convertie en scie de table.** Les scies circulaires ne sont pas conçues ni destinées à être utilisées comme scies de table.
- e. **Les rondelles de lame et le boulon sur votre scie ont été conçus de manière à travailler comme un embrayage pour réduire l'intensité des rebonds. Comprenez le fonctionnement et les réglages de l'EMBRAYAGE À COUPLE VARIABLE.** Le réglage approprié de l'embrayage, combiné au maniement ferme de la scie, vous permettra de contrôler le rebond.
- f. **Ne placez jamais votre main derrière la lame de la scie.** Le rebond pourrait faire sauter la scie vers l'arrière par-dessus votre main.
- g. **N'utilisez pas la scie avec un réglage excessif de profondeur de coupe.** Une exposition excessive de la lame accroît la possibilité de torsion de la lame dans le trait

## Consignes de sécurité supplémentaires pour les scies circulaires

de scie. Elle accroît également la surface de lame pouvant être pincée, ce qui entraînerait un rebond.



**h. Ne faites pas fonctionner l'outil quand vous le portez sur votre hanche. Le garde**

**inférieur peut s'ouvrir au contact avec vos vêtements.** Un contact accidentel avec la lame de scie en rotation pourrait provoquer des blessures graves.

- i. À intervalles périodiques, déposez la lame, nettoyez les gardes supérieur et inférieur et la région du moyeu à l'aide de kérosène et essuyez pour sécher.** Une maintenance préventive et une utilisation correcte du garde réduiront la probabilité d'un accident.
- j. Veillez à ce que l'interrupteur soit dans la position de fermeture avant d'insérer le bloc-piles.** L'insertion d'un bloc-piles dans un outil électroportatif dont l'interrupteur est dans la position de marche est une invite aux accidents.
- k. Évitez de causer la surchauffe des pointes de la lame de la scie.**

## Avertissements supplémentaires concernant la sécurité

L'emploi d'un GFCI et de dispositifs de protection personnelle tels que gants et chaussures d'électricien en caoutchouc améliorent votre sécurité personnelle.

**Créez un agenda d'entretien périodique pour votre outil. Quand vous nettoyez un outil, faites attention de n'en démonter aucune pièce car il est toujours possible de mal remonter ou de pincer les fils internes ou de remonter incorrectement les ressorts de rappel des capots de protection.** Certains agents de nettoyage tels que l'essence, le tétrachlorure de carbone, l'ammoniaque, etc. risquent d'abîmer les plastiques.







**⚠ AVERTISSEMENT** Les travaux à la machine tel que ponçage, sciage, meulage, perçage et autres travaux du bâtiment peuvent créer des poussières contenant des produits chimiques qui sont des causes reconnues de cancer, de malformation congénitale ou d'autres problèmes reproductifs. Ces produits chimiques sont, par exemple :

- Le plomb provenant des peintures à base de plomb,
- Les cristaux de silices provenant des briques et du ciment et d'autres produits de maçonnerie, et
- L'arsenic et le chrome provenant des bois traités chimiquement.

Le niveau de risque dû à cette exposition varie avec la fréquence de ces types de travaux. Pour réduire l'exposition à ces produits chimiques, il faut travailler dans un lieu bien ventilé et porter un équipement de sécurité approprié tel que certains masques à poussière conçus spécialement pour filtrer les particules microscopiques.

## Symboles

**Important :** Certains des symboles suivants peuvent être utilisés sur votre outil. Veuillez les étudier et apprendre leur signification. Une interprétation appropriée de ces symboles vous permettra d'utiliser l'outil de façon plus efficace et plus sûre.

Symbole	Désignation / Explication
V	Volts (voltage)
Ah	Ampères/heure (mesure de la capacité de la pile)
A	Ampères (courant)
Hz	Hertz (fréquence, cycles par seconde)
W	Watt (puissance)
kg	Kilogrammes (poids)
min	Minutes (temps)
s	Seconds (temps)
∅	Diamètre (taille des mèches de perceuse, meules, etc.)
$n_0$	Vitesse à vide (vitesse de rotation, à vide)
n	Vitesse nominale (vitesse maximum pouvant être atteinte)
.../min	Tours ou mouvement alternatif par minute (tours, coups, vitesse en surface, orbites, etc., par minute)
0	Position d'arrêt (vitesse zéro, couple zéro ...)
1, 2, 3, ... I, II, III,	Réglages du sélecteur (Réglages de vitesse, de couple ou de position. Un nombre plus élevé signifie une vitesse plus grande)
	Sélecteur variable à l'infini avec arrêt (La vitesse augmente depuis le réglage 0)
	Flèche (action dans la direction de la flèche)
	Courant alternatif (type ou caractéristique du courant)
	Courant continu (type ou caractéristique du courant)
	Courant alternatif ou continu (type ou caractéristique du courant)
	Construction classe II (désigne des outils construits avec double isolation)
	Borne de terre (borne de mise à la terre)

## Symboles

**Important :** Certains des symboles suivants peuvent être utilisés sur votre outil. Veuillez les étudier et apprendre leur signification. Une interprétation appropriée de ces symboles vous permettra d'utiliser l'outil de façon plus efficace et plus sûre.

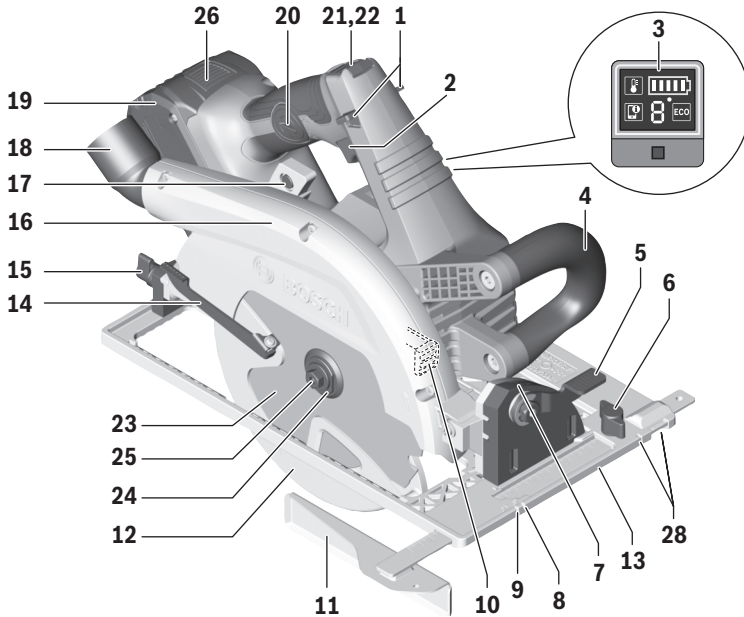
Symbole	Désignation / Explication
	Alerte l'utilisateur pour lire le mode d'emploi
	Alerte l'utilisateur pour porter des lunettes de sécurité
	Ce symbole signifie que cet outil est approuvé par Underwriters Laboratories.
	Ce symbole indique que ce composant est reconnu par Underwriters Laboratories.
	Ce symbole signifie que cet outil est approuvé par Underwriters Laboratories selon les normes des États-Unis et du Canada.
	Ce symbole signifie que cet outil est approuvé par l'Association canadienne de normalisation.
	Ce symbole signifie que cet outil est approuvé par l'Association canadienne de normalisation selon les normes des États-Unis et du Canada.
	Ce symbole signifie que cet outil est approuvé par Intertek Testing Services selon les normes des États-Unis et du Canada
	Ce symbole signifie que cet outil se conforme aux normes mexicaines NOM.
	Désigne le programme de recyclage des piles Li-ion.
	Désigne le programme de recyclage des piles Ni-Cad.

## Familiarisez-vous avec votre scie

**⚠ AVERTISSEMENT** Débranchez le bloc-piles de l'outil avant d'effectuer tout assemblage ou réglage, ou de changer des accessoires. Ces mesures de sécurité préventives réduisent le risque d'une mise en marche accidentelle de l'outil.

### Scies circulaires sans fil GKS18V-25GC

Fig. 1



- |  |  |
|--|--|
| 1 Boutons de relâchement du verrouillage à l'état d'arrêt    | 15 Bouton de verrouillage du biseau, arrière           |
| 2 Gâchette   | 16 Garde supérieur                                     |
| 3 Interface utilisateur                                      | 17 Échelle de profondeur de coupe                      |
| 4 Poignée auxiliaire (surface de préhension isolée)          | 18 Orifice de dépoussiérage                            |
| 5 Levier de réglage du biseau                                | 19 Bloc-piles  |
| 6 Écrou à oreilles (inclus avec le guide de refente)         | 20 Compartiment du module de connectivité              |
| 7 Secteur gradué de biseau                                   | 21 Bouton de relâchement de la commande de profondeur  |
| 8 Encoche de guidage du trait de coupe 0°                    | 22 Bouton de verrouillage de la commande de profondeur |
| 9 Encoche de guidage du trait de coupe 45°                   | 23 Lame  |
| 10 Bouton de verrouillage de l'arbre                         | 24 Rondelle extérieure                                 |
| 11 Guide de refente*   | 25 Goujon de fixation de la lame                       |
| 12 Garde inférieur   | 26 Bouton de déclenchement du bloc-piles               |
| 13 Semelle   | 27 Poignée (surface de préhension isolée)              |
| 14 Levier de levage du garde inférieur (Poignée retractable) | 28 Fentes pour le rails                                |

\* Vendu séparément

Référez-vous aux pages 50–55 pour le système de rail.

## Spécifications

Número de modèle	GKS18V-25GC
Tension nominale	18 V==
Régime à vide	$n_0$ 2 500–5 000/min
Lame*	7-1/4" (184 mm)
Moyeu de lame	5/8" (16 mm) Rond
Épaisseur des dents de la lame	7/64 po (2.6 mm)* *minimum 3/64 po (1,0 mm)
Épaisseur du corps de la lame	0.079 po (2,0 mm) Maximum
Profondeur de coupe à 0°	2-1/2 po (63,5 mm) Maximum
Profondeur de coupe à 45°	1-13/16 po (46 mm) Maximum
Profondeur de coupe à 50°	1-5/8" (41,3 mm) Maximum
Température ambiante autorisée – pendant la charge – pendant le fonctionnement et stockage	32...95 °F (0...+35 °C) –4...122 °F (–20...+50 °C)

\* Pour des lames de remplacement, nous recommandons les lames de scies circulaires sans fil de Bosch. Grâce à la conception de leurs dents et à leur trait de coupe très fin, elles fournissent une coupe de qualité à une vitesse supérieure, et elles réduisent la vitesse d'épuisement des piles. L'utilisation de lames standard affectera substantiellement la performance et réduira l'autonomie de fonctionnement.

### Module de connectivité (vendu séparément)

Veuillez vous référer aux instructions d'utilisation/consignes de sécurité incluses avec le module de connectivité.

### Bloc-piles/chargeurs

Veuillez vous référer à la liste des piles/chargeurs accompagnant votre outil.

## Utilisation prévue

**⚠ AVERTISSEMENT** **N'utilisez cette scie que dans le but pour lequel elle a été conçue.** Une utilisation non conforme pourrait causer des blessures et des dommages matériels.

**Ce produit est conçu pour scier du bois et produits similaires.** L'accumulation de bran de scie provenant d'autres matériaux (plastique, maçonnerie ou métaux) autour du garde inférieur et du moyeu risque d'entraver le fonctionnement du garde inférieur.

### Cutting Masonry/Metal

**⚠ AVERTISSEMENT** **Ne coupez pas de métaux ou de matériaux de maçonnerie avec cette scie circulaire.** La poussière produite par le sciage de métaux ou de matériaux de maçonnerie ralentira le mouvement de la garde inférieure et il est possible que celle-ci ne puisse pas se fermer rapidement et complètement après la coupe de tels matériaux ou métaux.

**⚠ AVERTISSEMENT** **N'utilisez pas de meules abrasives.** Cet outil n'est pas conçu pour un emploi avec des meules de tronçonnage du métal ou de la maçonnerie.

**⚠ AVERTISSEMENT** **N'utilisez pas cette scie circulaire avec une meule à diamant humide ou avec des dispositifs fonctionnant avec de l'eau.** Les déchets provenant de la coupe de matériaux de maçonnerie pénétreront dans le système de garde inférieur, le durciront et le rendront inutilisable. L'utilisation d'eau dans des applications de coupe de matériaux de maçonnerie avec une scie circulaire entraînerait un risque de choc électrique.

Cet outil n'est pas conçu pour un emploi avec des meules de tronçonnage du métal ou de la maçonnerie.

## Montage de la scie

**⚠ AVERTISSEMENT** Débranchez le bloc-piles de l'outil avant d'effectuer tout assemblage ou réglage, ou de changer des accessoires. Ces mesures de sécurité préventives réduisent le risque d'une mise en marche accidentelle de l'outil.

### Insertion et retrait du bloc-piles

**⚠ WARNING** N'utilisez que des piles Bosch recommandées sur la liste des chargeurs/piles et incluses avec votre outil. L'utilisation d'autres types de piles pourrait causer des blessures ou des dommages matériels.

Faites glisser le bloc-piles chargé **19** dans le bâti jusqu'à ce que le bloc-piles se bloque en position (Fig. 2).

Votre outil est muni d'un loquet de verrouillage secondaire qui empêche le bloc-piles de se séparer complètement de la poignée et de tomber au cas où il viendrait à se décrocher à cause des vibrations.

Pour retirer le bloc-piles **19**, appuyez sur le bouton de déclenchement du bloc-piles **26** et faites glisser le bloc-piles vers l'avant.

Appuyez une fois de plus sur le bouton de

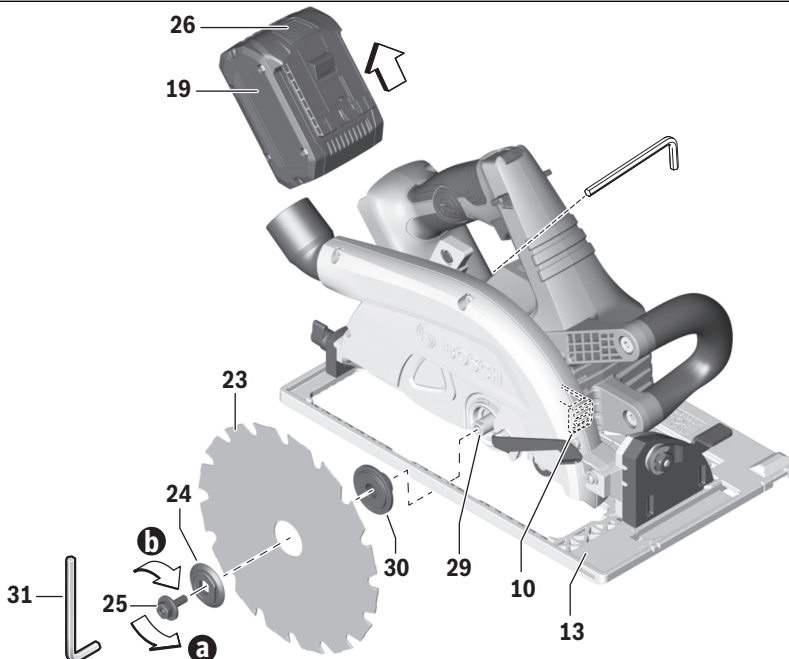
déclenchement du bloc-piles **26** et faites glisser le bloc-piles jusqu'à ce qu'il sorte complètement du bâti de l'outil (Fig. 2).

### Montage de la lame

**⚠ WARNING** Utilisez seulement une lame de 184 mm / 7-1/4 po. Utilisez seulement une lame ayant une vitesse nominale d'au moins 5 000 tr/min. L'utilisation d'une lame non conçue pour cette scie pourrait causer de graves blessures et des dommages matériels.

1. Appuyez sur le bouton de verrouillage de l'arbre **10**. Faites tourner la tige de la lame **25** au moyen de la clé **31** fournie dans le sens **a** et retirez la tige de la lame **25** et la rondelle extérieure **24**. Remarque: la clé se range près du compartiment des piles (Fig. 2).
2. Assurez-vous que les dents de la scie et la flèche sur la lame sont dirigées dans le même sens que la flèche figurant sur

Fig. 2



## Montage de la scie

- le garde inférieur de la lame.
- Faites remonter le garde inférieur de la lame en le laissant coulisser totalement à l'intérieur du capot. Profitez-en pour vérifier l'état et le fonctionnement du RESSORT DU GARDE INFÉRIEUR.
  - Glissez la lame **23** dans la fente de la semelle **13** et placez-la contre la rondelle intérieure **30** de l'arbre **29**. Assurez-vous que le plus grand côté de rondelle extérieure **24** appuie carrément sur la lame (Fig. 2).
  - Réinstallez la rondelle extérieure et serrez la tige de la lame **25** à la main dans le sens **b**. Appuyez sur le bouton de verrouillage **10** et maintenez-le enfoncé pour verrouiller l'arbre et SERREZ LA TIGE DE LA LAME D'UN QUART DE TOUR AVEC LA CLÉ FOURNIE (Fig. 2)

N'utilisez pas de clés plus longues car vous risqueriez de trop serrer le goujon.

### EMBRAYAGE « VARI-TORQUE »

L'embrayage est assuré par la friction de la rondelle extérieure **24** sur la lame **23** et il permet à l'arbre de continuer à tourner si la lame éprouve une résistance excessive. Si le goujon de la lame **25** est correctement serré (tel qu'il est expliqué à l'étape 5 du chapitre intitulé montage de la lame), la lame glissera sur son arbre quand elle éprouve une résistance excessive, ce qui réduit le risque de REBOND.

Il est possible qu'un seul et même réglage ne convienne pas pour couper tous les matériaux. Si la lame patine trop, serrez le goujon de lame d'une graduation de plus. LE SERRAGE EXCESSIF DU GOUJON DE LA LAME REND LE DISPOSITIF DE DÉBRAYAGE ABSOLUMENT INUTILE.

### Extraction de poussière

**⚠ AVERTISSEMENT** Pour réduire le risque de blessure, positionnez toujours l'orifice de dépoussiérage et le tuyau de l'aspirateur de telle sorte qu'ils n'affectent pas le fonctionnement du dispositif de protection inférieur ou l'opération de coupe quel que soit le réglage choisi.

### ORIFICE DE DÉPOUSSIÉRAGE

L'orifice de dépoussiérage **18** pivote pour permettre de diriger la poussière dans le sens souhaité (Fig. 3).

### SAC À POUSSIÈRE (vendu séparément)

**Utilisation du sac à poussière** – Pour attacher le sac à poussière vide **32**, appuyez pour enfoncer son extrémité de couplage dans l'orifice de dépoussiérage de la scie **18** (Fig. 3).

**Nettoyage du sac à poussière** – Quand le sac à poussière est plein aux 2/3 ou aux 3/4, retirez-le de la scie. Trouvez un contenant approprié et ouvrez la fermeture à glissière située sur la partie inférieure du sac. Tenez le sac par l'extrémité où se trouve le coupleur et secouez le sac vigoureusement jusqu'à ce que toute la poussière et tous les débris en soient sortis. Fermez la fermeture à glissière et rattachez le sac.

REMARQUE : Nettoyez le sac après toute séance de coupe et avant de transporter ou de ranger la scie.

**⚠ AVERTISSEMENT** Faites très attention quand vous vous débarrassez de la poussière. Les matériaux, quand ils ont pris la forme de particules fines, peuvent être explosifs. Ne jetez pas la sciure de bois dans un feu. Une combustion pourrait se produire, après un certain temps, en conséquence du mélange d'huile ou d'eau avec des particules de poussière.

### RACCORDEMENT À UN ASPIRATEUR / EXTRACTEUR DE POUSSIÈRE

Connectez le tuyau flexible de l'aspirateur à l'orifice de dépoussiérage (Fig. 3).

- Tuyaux flexibles Bosch de la série VH - L'adaptateur de tuyau flexible VX120 est requis (inclus avec les tuyaux flexibles de la série VH).
- Autres tuyaux flexibles de 35 mm et de 22 mm, tels que ceux de la série VAC de Bosch - Connectez le tuyau flexible directement à l'outil.
- Tuyaux flexibles courants de 1-1/4 po ou de 1-1/2 po - L'adaptateur Bosch VAC024 est requis (vendu séparément).

Connectez le tuyau flexible de l'aspirateur à un aspirateur.

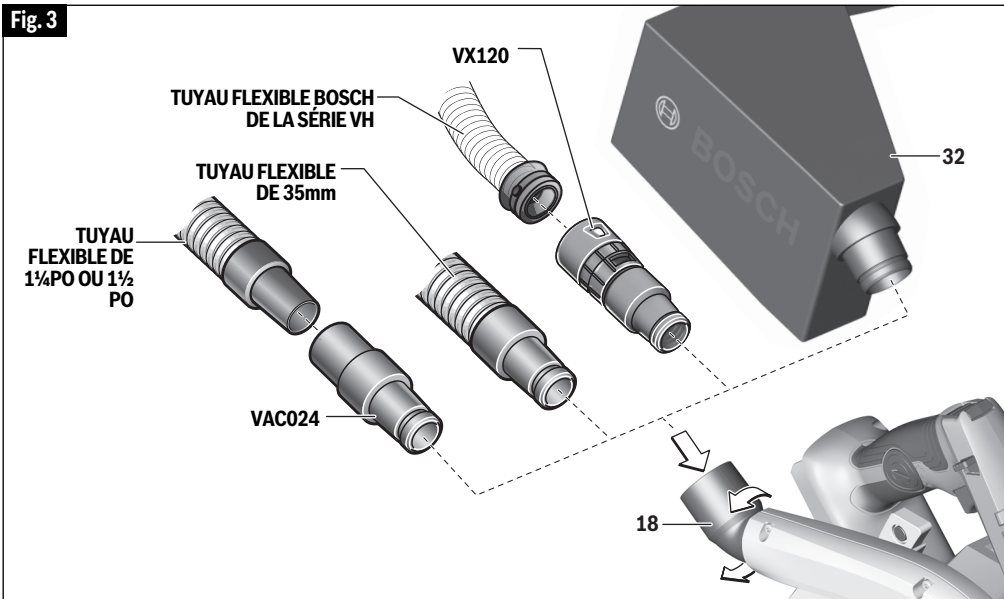
**L'aspirateur doit être approprié pour le matériau sur lequel vous devez travailler.**

**Lorsque vous aspirez de la poussière sèche qui est particulièrement toxique pour la santé ou peut même être**



## Montage de la scie

Fig. 3



cancérogène, utilisez un aspirateur / extracteur de poussière conçu

spécifiquement pour une telle application.

## Action de freinage

**⚠ AVERTISSEMENT** Attendez que la scie cesse complètement de tourner avant de poser l'outil. L'action de freinage de cette scie circulaire n'est pas conçue comme une fonctionnalité associée à la sécurité. Tout contact imprévu avec une lame de scie en rotation pourrait causer des blessures aux personnes et/ou des dommages matériels.

**⚠ AVERTISSEMENT** Surveillez régulièrement le niveau de charge de vos piles. L'action de freinage électrique n'est déclenchée QUE par le relâchement de l'interrupteur à gâchette, et seulement dans un outil ayant de l'énergie électrique disponible. En cas de coupure de l'alimentation électrique causée par la décharge de piles ou pour d'autres raisons, le frein électrique ne fonctionnera pas et le moteur se ralentira progressivement. Une interruption imprévue du fonctionnement peut causer des dommages matériels et/ou des blessures.

Votre scie circulaire est munie d'un frein électrique automatique, qui est conçu pour arrêter la rotation de la lame de la scie environ deux (2) secondes après que vous aurez relâché l'interrupteur à gâchette. Cette fonctionnalité contribue à améliorer la productivité sur le lieu de travail.

Le freinage commence dès que l'alimentation électrique est perdue. Le frein nécessite une pile chargée pour fonctionner. Le temps d'arrêt variera en fonction, entre autres facteurs, de la lame de scie utilisée et du nombre d'actionnements. Le frein électrique de votre scie circulaire a été conçu pour un degré élevé de fiabilité, mais des circonstances inattendues telles que la contamination ou la défaillance de composants du moteur peuvent empêcher l'activation du frein. Si l'outil fonctionne mais que le frein n'arrête pas systématiquement la lame en 2 secondes environ, N'UTILISEZ PAS la scie circulaire et faites-la réviser par un centre de service d'usine de Bosch ou un centre de service après-vente agréé de Bosch.

## Consignes de fonctionnement

**⚠ AVERTISSEMENT** Débranchez le bloc-piles de l'outil avant d'effectuer tout assemblage ou réglage, ou de changer des accessoires. Ces mesures de sécurité préventives réduisent le risque d'une mise en marche accidentelle de l'outil.

### Réglage de la profondeur de coupe

**⚠ AVERTISSEMENT** Ajustez la profondeur de coupe de telle façon que seulement une dent soit visible en dessous de l'ouvrage. Une exposition excessive de la lame en dessous de l'ouvrage pourrait causer des blessures et/ou des dommages matériels.

**⚠ AVERTISSEMENT** Le système de réglage de la profondeur ne doit pas être utilisé pour changer la profondeur pendant que la scie est en marche ou pour une coupe en plongée. Si le réglage de la lame change pendant la coupe, cela peut créer un risque de coincement et de choc en retour.

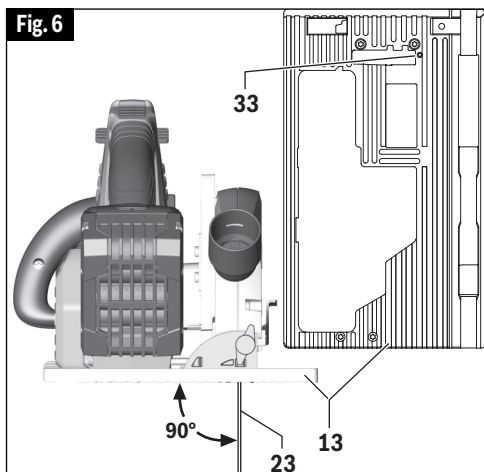
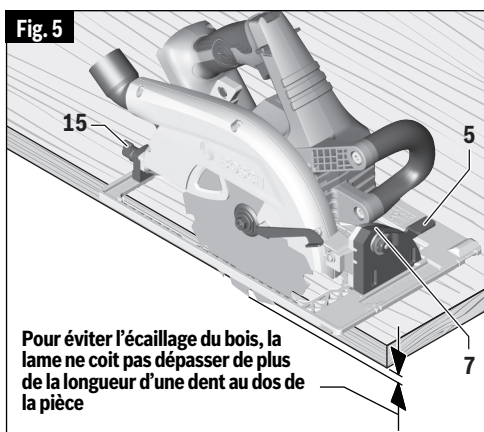
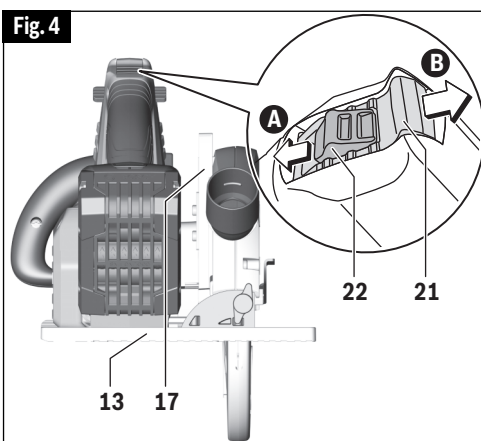
Pour ajuster la profondeur de coupe, suivez ces instructions (Fig. 4) :

- A. Débranchez le bloc-piles de l'outil.
- B. Appuyez sur le bouton de verrouillage de la commande de profondeur **22**.
- C. Faites glisser vers l'avant le bouton de relâchement de la commande de profondeur **21**.
  - Pour une profondeur de coupe réduite, tirez sur la scie pour l'éloigner du pied **13**.
  - Pour une profondeur de coupe accrue, poussez la scie en direction du pied **13**. L'échelle de profondeur de coupe est à la fois en pouces et en unités métriques.

**Remarque :** Il ne faut pas que plus de la longueur d'une dent de la lame dépasse en dessous du matériau à couper pour réduire au minimum le risque d'éclatement du bois (Fig. 5).

### Vérification de l'angle de coupe 90°

- A. Débranchez le bloc-piles de l'outil.
- B. Réglez le pied sur le réglage de profondeur de coupe maximum.



## Consignes de fonctionnement

- C. Desserrez le levier de réglage **5** et le bouton de réglage du biseau arrière **15**, réglez sur  $0^\circ$  sur l'échelle de biseaux **7**, resserrez le levier **5** et le bouton **15** (Fig. 5).
- D. Vérifiez l'angle de  $90^\circ$  entre la lame et le plan inférieur du pied **13** à l'aide d'une équerre (Fig. 6). Si nécessaire, effectuez les réglages en tournant la petite vis d'alignement **33** depuis le côté inférieur du pied **13** avec une clé Allen de 2,5 mm [non fournie] (Fig. 6).

### Réglage de la coupe en biseau

- A. Débranchez le bloc-piles de l'outil.
- B. Desserrez le levier de réglage du biseau **5** et le bouton de réglage du biseau arrière **15**.
- C. Alignez à l'angle désiré sur l'échelle de biseaux **7**. Le pied peut être ajusté jusqu'à  $50^\circ$ .
- D. Serrez le bouton de réglage du biseau **15** et le levier **5** (Fig. 5).

En raison de l'engagement d'une plus grande surface de la lame dans la pièce et la stabilité réduite de la semelle, la lame risque de gripper. Suivez la ligne de coupe, la semelle de la scie bien d'aplomb sur la pièce.

### Encoches de guidage du trait de coupe

Les encoches marquées **8** et **9** à l'avant de la semelle indiquent le trait de coupe approximatif (Fig. 7).

#### Lorsque le rail n'est pas utilisé :

- Pour une coupe sans biseau, utilisez

l'encoche **8** à  $0^\circ$ .

- Pour des coupes à biseaux de  $45^\circ$  et de  $50^\circ$ , utilisez l'encoche **9** à  $45^\circ$ .

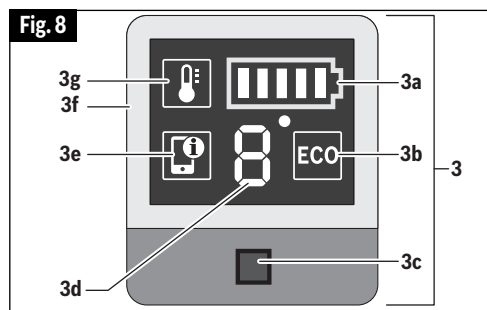
#### Lorsque le rail n'est pas utilisé :

- Pour les coupes avec et sans biseau, utilisez l'encoche **8** à  $0^\circ$ .

#### Pour toutes les coupes :

- Pour assurer le minimum d'éclatements sur le bon côté du matériau à couper, orientez le bon côté vers le bas.
- Effectuez des coupes de test dans des déchets de bois pour vérifier le trait de coupe réel. Ceci sera utile en raison de la variété de types et d'épaisseurs de lames qui sont disponibles.
- Utilisez le côté DROIT de l'encoche lorsque la partie de l'ouvrage qui est à gauche de la lame est le morceau qui sera rebuté (Fig. 7a).
- Utilisez le côté GAUCHE de l'encoche lorsque la partie de l'ouvrage qui est à droite de la lame est le morceau qui sera rebuté (Fig. 7b).

### Interface utilisateur (Fig. 8)

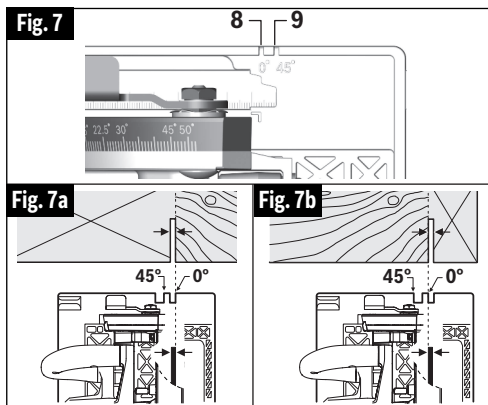


L'interface utilisateur **3** est utilisée pour sélectionner les niveaux de vitesse présélectionnés et pour indiquer le statut de l'outil électrique et des piles.

### MODE ECO

Quand il n'est pas nécessaire d'utiliser la scie à sa puissance maximale, son mode ECO pour réaliser des économies de consommation d'énergie peut être utilisé afin de réduire la puissance de la scie et de prolonger son autonomie de fonctionnement.

Si le mode ECO est activé, l'indicateur de



## Consignes de fonctionnement

niveau de vitesse/mode **3d** affiche le symbole « E », et l'icône « ECO » **3b** s'allume.

### PRÉSÉLECTION DE LA VITESSE

Les paramètres de réglage de la vitesse et le mode ECO sont préprogrammés, et ils peuvent être ajustés au moyen de l'appli « Bosch Toolbox ». Pour obtenir plus de renseignements sur l'appli « Bosch Toolbox », référez-vous au chapitre « Connectivité » à la page suivante. Le tableau ci-dessous décrit les vitesses présélectionnées et la vitesse dans le mode ECO.

	Vitesses présélectionnées
<b>1</b>	2500/min
<b>2</b>	3000/min
<b>3</b>	3500/min
<b>4</b>	4000/min
<b>5</b>	4500/min
<b>6</b>	5000/min
<b>Eco</b>	3630/min

### INDICATEUR DE CHARGE DE LA PILE

Quand l'indicateur de charge des piles **3a** brille en **vert**, cela signifie que les piles sont chargées, et le nombre de barres montre le niveau de la charge.

S'il brille de façon continue **en jaune** et s'il n'y a qu'une seule barre, cela signifie que la pile doit être chargée ou remplacée très bientôt.

S'il brille de façon continue **en rouge** et s'il n'y a qu'une seule barre, cela signifie que la pile est complètement déchargée.

### INDICATEUR DE TEMPERATURE

Si l'indicateur de température **3g** brille de façon continue **en jaune**, cela signifie que la température critique du moteur, de l'électronique ou de la pile a été atteinte. Faites fonctionner l'outil électrique à vide et laissez-le refroidir.

Si l'indicateur de température brille de façon continue **en rouge**, cela signifie que l'outil électrique est en état de surchauffe et qu'il s'éteindra. Attendez que l'outil électrique ait suffisamment refroidi.

### INDICATEUR DE NOTIFICATION DU TELEPHONE INTELLIGENT

Il est nécessaire d'acheter et d'installer un module de connectivité Bosch et d'installer l'appli « Bosch Toolbox » pour recevoir des informations et des messages en conséquence des alertes de l'indicateur de

statut du smartphone. Voir le chapitre « Connectivité » à la page suivante.

L'indicateur de statut du smartphone (voyant **vert**) **3e** indique que des informations non essentielles sont disponibles dans l'appli « Bosch Toolbox » à l'intention de l'utilisateur.

L'indicateur de statut du smartphone (voyant **jaune**) **3e** indique que des informations importantes sont disponibles (p. ex., avertissement relatif à la température).

L'indicateur de statut du smartphone (voyant **rouge**) **3e** indique que des informations cruciales sont disponibles. Il est recommandé que l'utilisateur lise immédiatement le message.

### CADRE INDICATEUR DE L'ETAT DE FONCTIONNEMENT DE L'OUTIL ELECTRIQUE

La **lumière verte** du cadre de statut de l'outil électrique **3f** signifie que tout fonctionne correctement.

La **lumière jaune** signifie que :

- Une température critique a été atteinte (le voyant de température **3g** brille également en jaune) – faites fonctionner l'outil à vide et laissez-le refroidir, ou
- Les piles sont presque complètement déchargées (le voyant de charge des piles **3a** brille également en jaune) – chargez ou remplacez les piles dès que possible.

La **lumière rouge** signifie que :

- L'outil est surchauffé (le voyant de température **3g** brille en rouge) – éteignez l'outil et rallumez-le, ou
- Les piles sont déchargées (le voyant de charge des piles **3a** brille également en rouge) – chargez ou remplacez les piles.

Le **voyant bleu clignotant** signifie que l'outil électrique est connecté à un dispositif mobile ou que les paramètres de réglage sont en train d'être transférés. L'utilisateur doit appuyer sur le bouton d'interface utilisateur **3c** pour accepter et enregistrer le(s) nouveau(x) paramètre(s).

### Connectivité

**⚠ AVERTISSEMENT** Pour réduire le risque de blessure, lisez les instructions d'utilisation qui sont jointes au module de

## Consignes de fonctionnement

**connectivité Bosch.** Les instructions d'utilisation pour le module de connectivité contiennent des informations importantes qui ne sont pas couvertes dans ce mode d'emploi.

Cet outil électrique a la capacité d'utiliser Bluetooth, et certaines fonctionnalités peuvent être ajustées à distance en utilisant un dispositif mobile. L'utilisation de ces fonctionnalités nécessite l'installation d'un module de connectivité Bosch Bluetooth et d'un dispositif mobile avec l'appli Bosch Toolbox installée.

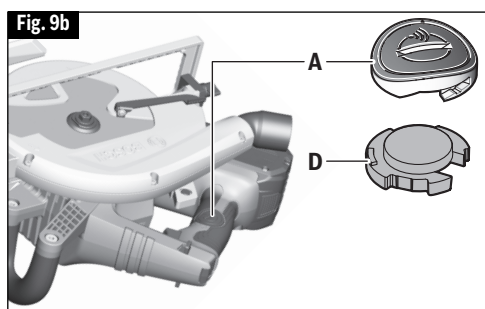
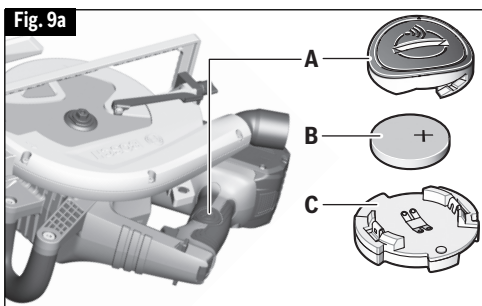
Si le module de connectivité n'est pas acheté avec l'outil, ou si le remplacement du module ou des piles devient nécessaire, veuillez suivre cette procédure (voir Fig. 9a) :

- En utilisant un tournevis à lame plate ou une pièce de monnaie, retirez le couvercle **A** du côté de la poignée en tournant d'un 1/4 de tour dans le sens contraire des aiguilles d'une montre (Fig. 9a ou 9b).
- Si l'outil est déjà muni du module de connectivité, retirez la pile **B** mais pas le module de connectivité **C**.
- Si le module de connectivité est installé pour la première fois, retirez le support de mise en place en plastique **D** du compartiment du module de connectivité et placez le module de connectivité **C** dans le compartiment en respectant l'orientation correcte (Fig. 9b). **Remarque :** Rangez le support de mise en place **D** en lieu sûr. Réinsérez le support de mise en place si le module de communications est retiré.
- Puis placez la nouvelle pile **B** sur le module de connectivité avec la polarité « + » orientée vers le haut (Fig. 9a).
- Placez le couvercle **A** sur la pile et tournez d'un 1/4 de tour dans le sens des aiguilles d'une montre pour verrouiller en utilisant un tournevis à lame plate ou une pièce de monnaie.

### UTILISATION DE L'APPLICATION « BOSCH TOOLBOX »

L'appli « Bosch Toolbox » peut être téléchargée depuis l'App Store ou Google Play.

Installez l'appli « Bosch Toolbox » sur votre dispositif mobile ou assurez-vous que vous



utilisez bien la toute dernière version de l'appli.

Lancez l'appli « Bosch Toolbox » sur votre dispositif mobile et cliquez sur l'icône/le titre « My Tools » (Mes outils). Suivez les instructions de l'appli pour appairer l'outil avec le dispositif mobile.

### RÉSUMÉ DES AVANTAGES DU MODULE DE CONNECTIVITÉ ET DE L'APPLICATION

Quand elle est utilisée avec le module de connectivité, l'appli « Bosch Toolbox » permettra de faire ce qui suit avec l'outil :

- Enregistrement et personnalisation
- Vérification du statut et messages d'avertissement
- Informations générales et paramètres
- Réglage des niveaux de vitesse

❓ Le bouton d'aide (Help) sur l'appli explique les fonctionnalités de l'appli.

i Le bouton Info sur l'appli affiche des informations sur l'outil et ses spécifications.

⚠ Le bouton d'alerte affiche toutes les alertes reçues de la l'outil.

## Consignes de fonctionnement

### Boutons de relâchement du verrouillage à l'état d'arrêt

Les boutons de relâchement du verrouillage à l'état d'arrêt sont conçus pour prévenir des mises en marche accidentelles. Pour mettre l'outil en service, appuyez sur le bouton de relâchement **1** avec votre pouce d'un côté ou de l'autre de la poignée afin de désengager le mécanisme de verrouillage, puis tirez sur l'interrupteur à gâchette **2** (Fig. 1). Lorsque vous appuyez sur la gâchette, le bouton engagera automatiquement l'interrupteur de sécurité, et la gâchette sera désactivée.

### Interrupteur

**Tenez l'outil des deux mains lorsque vous le mettez en marche.** Le couple du moteur peut causer une torsion de l'outil.

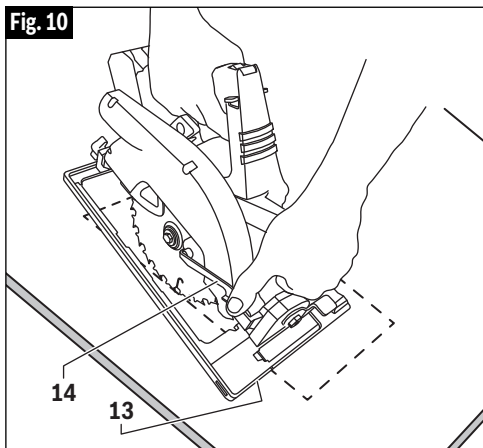
Pour mettre l'outil en service, appuyez sur le bouton de relâchement **1** avec votre pouce d'un côté ou de l'autre de la poignée afin de désengager le mécanisme de verrouillage, puis tirez sur l'interrupteur à gâchette **2** (Fig. 1). Pour mettre l'outil à l'arrêt (« OFF »), relâchez l'interrupteur à gâchette (qui est à ressort) et il retournera automatiquement dans la position « OFF ».

La scie devrait tourner à plein régime AVANT de commencer à scier et elle ne devrait être arrêtée qu'APRÈS avoir terminé la coupe. Pour prolonger la durée utile de l'interrupteur, évitez de mettre le moteur en marche et de l'arrêter en sciant.

### Toutes les coupes

**⚠ AVERTISSEMENT** Assurez-vous que vos mains ne gênent pas le mouvement de la

**⚠ AVERTISSEMENT** Après avoir terminé une coupe et relâché la gâchette, souvenez-vous que la lame ralentit et qu'il lui faut un certain temps pour s'arrêter complètement. Évitez que la scie ne vienne frôler votre jambe ou votre côté car, étant donné qu'il est rétractible, le garde inférieur de la lame risquerait de s'agripper à vos vêtements et d'exposer la lame. Sachez qu'une partie de la lame est exposée en permanence à l'endroit où finissent le capot et le garde inférieur de la lame.



Tenez toujours la poignée de la scie d'une main et la poignée auxiliaire ou le logement de l'autre main.

Assurez-vous que la semelle de la scie repose toujours sur la portion de la surface de la pièce qui ne plonge pas.

Serrez-la fermement et actionnez l'interrupteur énergiquement. Ne forcez jamais la scie outre mesure. Exercez une pression modérée et soutenue.

Pour recommencer à scier, suivant un arrêt, appuyez sur la gâchette et attendez que la lame ait atteint son régime maximal avant de rentrer lentement dans la pièce.

Lors de coupes en travers, les fibres du bois ont tendance à se déchiqueter et à se soulever. Vous pouvez minimiser le problème en avançant lentement la scie. Pour réaliser une coupe nette, il est recommandé d'utiliser une lame pour coupe en travers ou à onglets.

### Coupes en guichet

**⚠ AVERTISSEMENT** Ajustez la profondeur de coupe en fonction de l'épaisseur de l'ouvrage. Il faut que moins de la longueur d'une dent de la lame soit visible en dessous de l'ouvrage.

**⚠ AVERTISSEMENT** Le système de réglage de la profondeur ne doit pas être utilisé pour changer la profondeur pendant que la scie est en marche ou pour une coupe en plongée. Si le réglage de la lame change pendant la coupe, cela peut créer un risque

## Consignes de fonctionnement

de coincement et de choc en retour.

**⚠ AVERTISSEMENT** Aussitôt que la lame commence à trancher le matériau, relâchez le garde inférieur immédiatement. Dès que la semelle repose bien à plat sur la surface que vous coupez, continuez la coupe en poussant la scie vers l'avant jusqu'à la fin de la ligne.

**⚠ AVERTISSEMENT** Attendez l'arrêt complet de la lame avant de retirer la scie du trait que vous venez de tailler dans le matériau. De même, ne ramenez jamais la scie vers l'arrière, car la lame peut sortir du matériau risquant de provoquer un REBOND. Soulevez la scie et tournez-la en sens opposé pour achever normalement la coupe dans l'autre sens. Si les coins de votre coupe en guichet ne sont pas complètement taillés, finissez-les à la scie sauteuse ou à l'égoïne.

Débranchez le bloc-piles de l'outil avant de procéder aux réglages. Réglez la lame à la profondeur correspondant à l'épaisseur du matériau à tailler. Rattachez le bloc-piles à la scie. Inclinez la scie vers l'avant en alignant l'encoche-guide sur la ligne de coupe. Relevez le garde inférieur de la lame, au moyen du levier de levage **14**, et tenez la scie par ses poignées avant et arrière (Fig. 10).

La lame touchant presque à la pièce à tailler, mettez le moteur en marche. Abaissez graduellement l'arrière de la scie en utilisant l'extrémité avant de la semelle **13** comme point d'appui.

### Coupe de grandes feuilles

Les grandes feuilles et les longs panneaux fléchissent ou plient, selon la façon dont ils sont soutenus. Si vous essayez de les couper sans les avoir mise au niveau et soutenus par des supports au préalable, la lame aura tendance à gripper provoquant des REBONDS et la surcharge du moteur (Fig. 11).

Placez le panneau ou la planche sur des supports situés à proximité de la ligne de coupe, comme l'indique la (Fig. 12). Assurez-vous que la profondeur de coupe est réglée de manière à ce que la lame ne traverse que la feuille ou la planche à couper, sans faire d'entailles dans la table de travail ou l'établi. Les deux-par-quatre utilisés pour soulever et soutenir la pièce devraient reposer à plat entre celle-ci et la

Fig. 11

MAUVAISE  
MANIÈRE

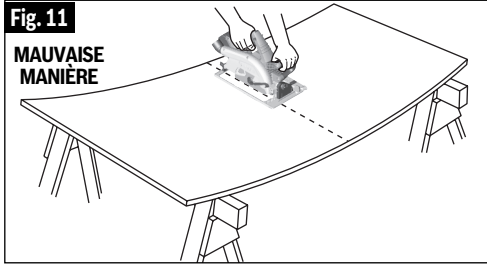


Fig. 12

BONNE  
MANIÈRE

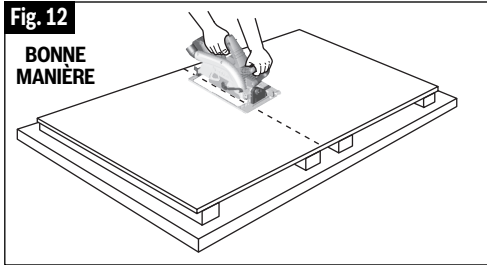


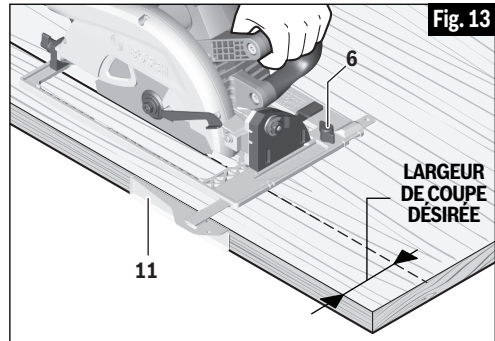
table ou l'établi. Ne placez jamais les deux-par-quatre sur leurs côtés plus étroits car cet arrangement manquerait de stabilité. Si la feuille ou le panneau est plus grand que la table ou l'établi, placez-le sur des deux-par-quatre sur le plancher et assujettissez-le.

## Consignes de fonctionnement

### Coupes de refente

**⚠ AVERTISSEMENT** Après avoir attaché ou ajusté le guide de refente, assurez-vous que celui-ci n'affecte pas la liberté de mouvement du garde inférieur et ne fait pas obstacle à ce mouvement, et qu'il n'entre pas en contact avec la lame de la scie.

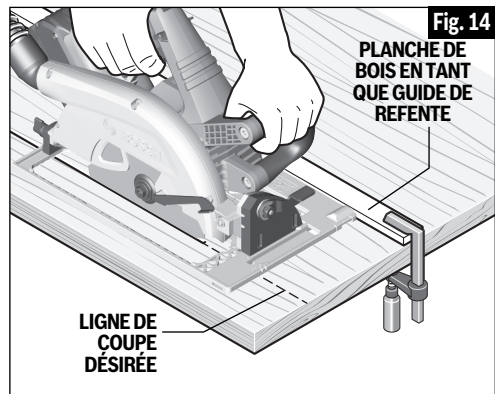
La lame universelle fournie avec la scie convient tant pour les coupes en travers que pour les coupes de refente. La refente est la coupe en long, en sens du grain du bois. Les coupes de refente sont facile à exécuter avec un guide de refente (Fig. 13). Pour attacher le guide de refente **11** en option, insérez le guide à travers les fentes dans le pied jusqu'à la largeur désirée comme illustré, et sécurisez à l'aide du bouton **6**.



### Utilisation d'une planche comme guide de refente

Si vous devez exécuter une coupe de refente sur de grandes feuilles, il est possible que le guide de refente ne soit pas assez long pour permettre d'exécuter une coupe à la largeur désirée. Dans ce cas, une planche bien droite de 25 mm (1 po) d'épaisseur fixée à la feuille au moyen de serres ou de clous peut servir de guide (Fig. 14). Faites glisser le côté gauche de la semelle contre la planche.

La poignée auxiliaire de GKS18V-25GC est conçue pour permettre d'utiliser du bois d'œuvre aussi épais que 2x (« 2 par ») comme guide.





## Consignes de fonctionnement

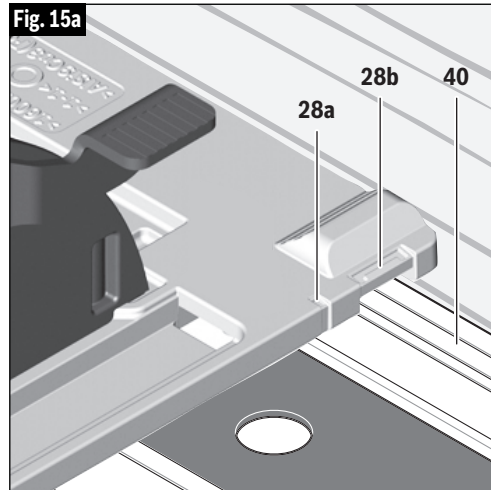
### Sciage de précision avec un rail

**⚠ AVERTISSEMENT** Le système de réglage de la profondeur ne doit pas être utilisé pour changer la profondeur pendant que la scie est en marche ou pour une coupe en plongée. Si le réglage de la lame change pendant la coupe, cela peut créer un risque de coincement et de choc en retour.

GKS18V-25GC peut être utilisé avec le système de rail Bosch pour améliorer la rectitude de la coupe (Fig. 15b).

- Assurez-vous que le rail **40** est préparé, positionné et fixé en place comme indiqué sous la rubrique « Préparation du rail » à la page 50.
- Assurez-vous que la plaque d'assise de la scie est bien positionnée sur le rail. Ceci est réalisé lorsque la fente **28a** sur le côté inférieur de la scie est placée au-dessus de la crête des rails Bosch (Fig. 15a). (La fente **28b** est compatible avec certains rails d'autres fabricants, mais nous recommandons que cette scie ne soit utilisée qu'avec des rails de scie Bosch.)
- Faites particulièrement attention

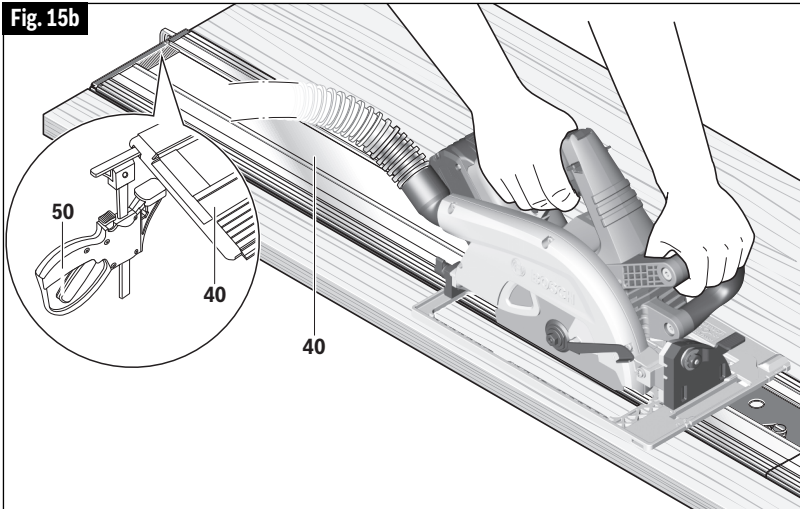
Fig. 15a



quand vous placez la scie sur la partie du rail qui s'étend au-delà du bord d'attaque ou du bord de fuite de l'ouvrage.

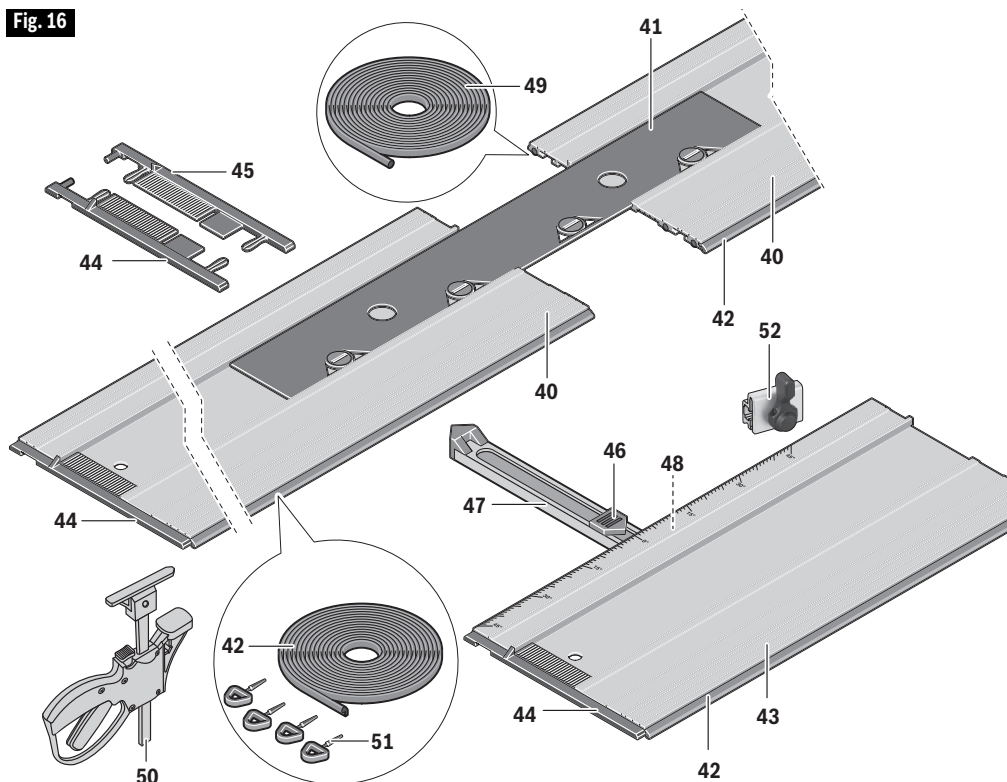
- Avant de retirer la scie du rail, soulevez la tête de la scie et rétractez la lame en premier, puis attendez que la lame s'arrête complètement de tourner.

Fig. 15b



## Familiarisez-vous avec votre système de scie à rail de guidage

**Fig. 16**



- |  |  |
|--|--|
| <b>40</b> Rail                         | <b>47</b> Guide                                      |
| <b>41</b> Connecteur de rail           | <b>48</b> Bouton de verrouillage de l'angle d'onglet |
| <b>42</b> Bord anti-éclats             | <b>49</b> Bande de traction                          |
| <b>43</b> Guide d'onglet               | <b>50</b> Brides de fixation du rail (x2)            |
| <b>44</b> Capuchon d'extrémité, gauche | <b>51</b> Pointes                                    |
| <b>45</b> Capuchon d'extrémité, droit  | <b>52</b> Butée d'arrêt de déplacement               |
| <b>46</b> Indicateur d'angle d'onglet  |  |

**Le système de rail de guidage est vendu séparément.**

## Montage des rails

### ADAPTATION DE LA PLAQUE D'ASSISE AUX DIVERS RAILS

Le modèle GKS18V-25GC est conçu spécifiquement pour effectuer des coupes droites précises tout en utilisant un rail de guidage.

Les rails Bosch (vendus séparément) sont disponibles en quatre tailles :

FSN800	31.5" (800 mm)
FSN1100	43.3" (1100 mm)
FSN1600	63" (1600 mm)
FSN2100	82.7" (2100 mm)

### PRÉPARATION DES RAILS

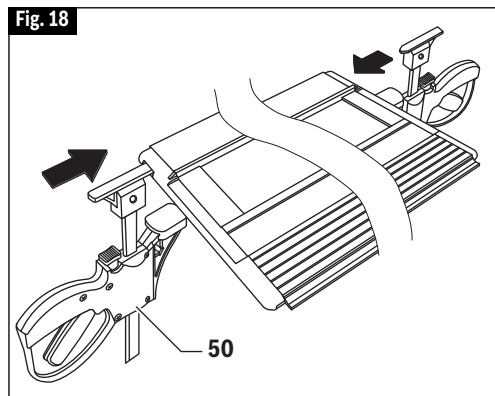
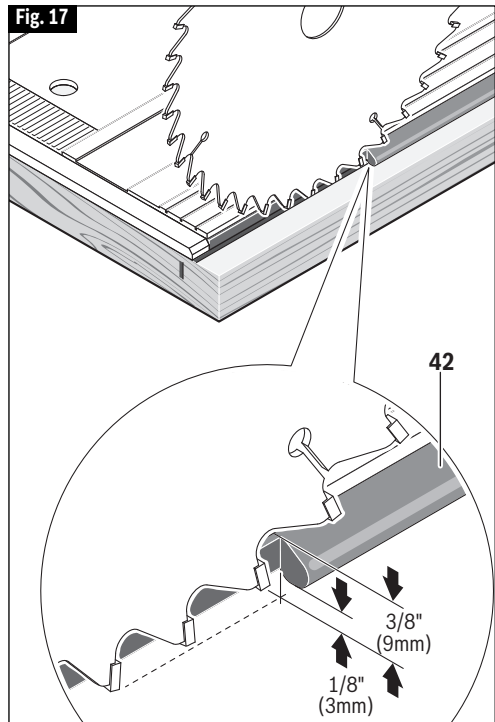
Avant d'utiliser un rail pour la première fois, le bord anti-éclats en caoutchouc du rail **42** doit être adapté à la scie et à la lame spécifique à utiliser.

- Placez toute la longueur du rail sur un morceau de matériau à mettre au rebut ayant une épaisseur d'au moins 19 mm (3/4 po).
- Sécurisez les rails comme cela est décrit sous la rubrique « SÉCURISATION DES RAILS » ci-dessous.
- Placez la scie sur les rails .
- Réglez la profondeur de coupe de la scie sur environ 9 mm (3/8 po) et l'angle de biseau sur 0°. Ceci aura pour effet que la lame s'étendra à 3 mm (1/8 po) en dessous du bord anti-éclats (Fig. 17).
- En suivant les instructions de la section « Interrupteur » à la page 46, mettez la scie sous tension et guidez-la uniformément avec une vitesse d'avance lente jusqu'au bout du rail de guidage.

### SÉCURISATION DES RAILS

**⚠ AVERTISSEMENT** Pour éviter les risques de blessures et/ou de dommages matériels, utilisez uniquement les brides de fixation de rails pour sécuriser le rail.

Une fois que le rail aura été placé dans la position souhaitée, insérez une bride de fixation **50** dans chaque extrémité du rail, puis serrez les brides contre l'ouvrage (Fig. 18).



### CAPUCHONS D'EXTRÉMITÉ PROTECTEURS

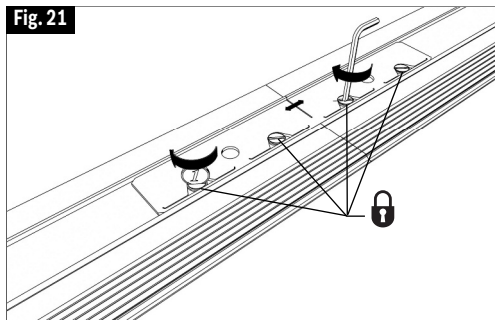
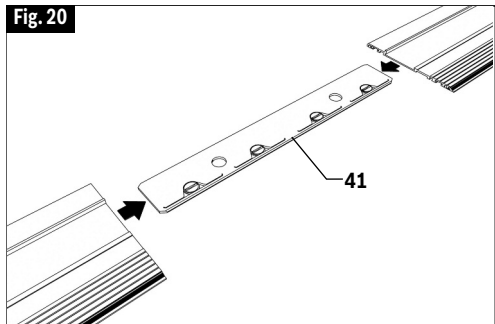
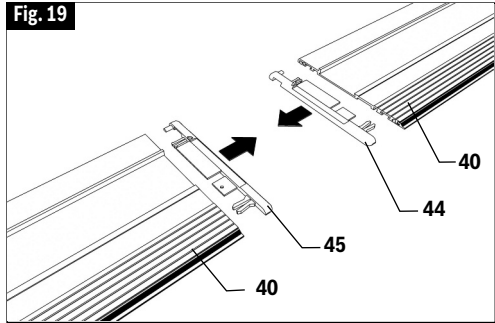
Ces capuchons aident à protéger les extrémités des rails contre les dommages, comme quand on fait tomber les rails sur leurs extrémités (Fig. 19). Les capuchons de gauche **44** et de droite **45** ne sont PAS

## Montage des rails

interchangeables. Si l'un des capuchons d'extrémité ou les deux capuchons sont endommagés, ils doivent simplement être remplacés.

### RACCORDEMENT DE PLUSIEURS RAILS

- A. Tirez les capuchons d'extrémité **44** et **45** qui font face aux extrémités des rails **40** afin de les raccorder l'un à l'autre. Rangez les capuchons d'extrémité en lieu sûr (Fig. 19).
- B. Insérez le connecteur **41** dans l'un des rails **40** comme illustré, puis faites glisser un autre rail dans l'autre extrémité du connecteur (Fig. 20).
- C. Assurez-vous qu'il n'y a pas d'écart entre les rails. Déplacez le connecteur **41** de façon que le repère central «  $\Leftarrow|\Rightarrow$  » soit positionné sur la ligne de raccordement.. Tournez les quatre verrous avec un tournevis ou une pièce de monnaie pour sécuriser la connexion (Fig. 21).



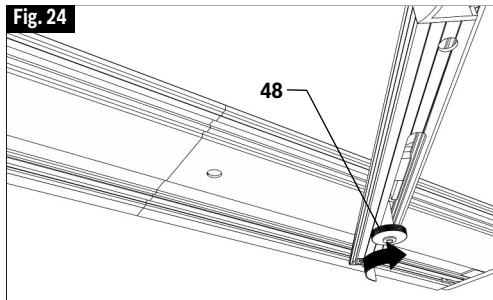
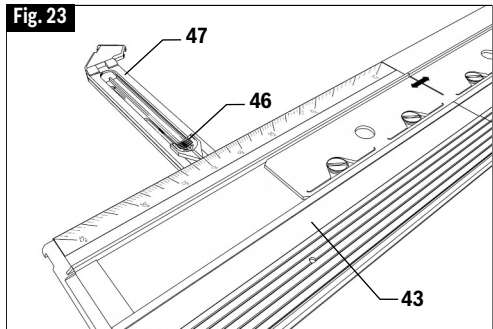
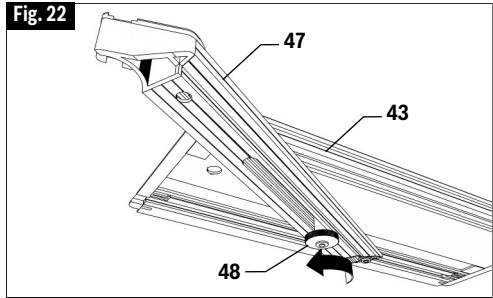
## Montage des rails

### GUIDE D'ONGLET

Le guide d'onglet **43** (vendu séparément) peut être utilisé pour positionner un rail de façon précise entre 60° à gauche et 45° à droite.

Le guide d'onglet doit être positionné à l'extrémité avant du rail.

- A. Desserrez le bouton **48** au bas du guide d'onglet (Fig. 22).
- B. Suivez les instructions de la rubrique « Raccordement de plusieurs rails » pour attacher le guide d'onglet au rail désiré en utilisant le connecteur **41**.
- C. Utilisez le guide **47** pour fixer l'angle désiré. Lorsque le guide est déplacé, l'indicateur **46** montre l'angle (Fig. 23).
- D. Une fois que l'angle désiré aura été fixé, serrez le bouton **48** au bas du guide d'onglet pour le maintenir à cet angle (Fig. 24).
- E. Positionnez le guide et le rail connecté de telle façon que le guide repose contre l'ouvrage.
- F. Une fois que le guide d'onglet et le rail connecté auront été positionnés comme souhaité, sécurisez le guide d'onglet et le rail connecté en place (reportez-vous à la rubrique « Sécurisation des rails »).

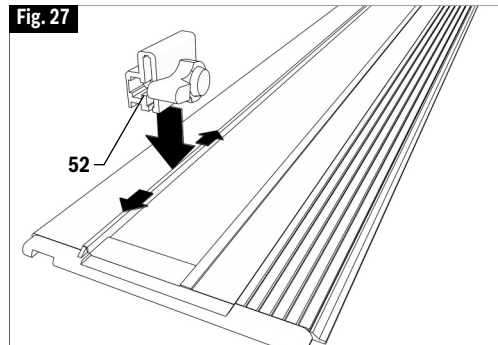
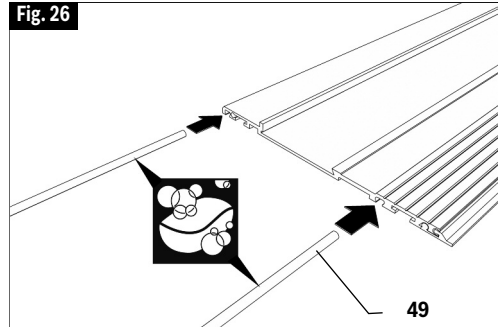
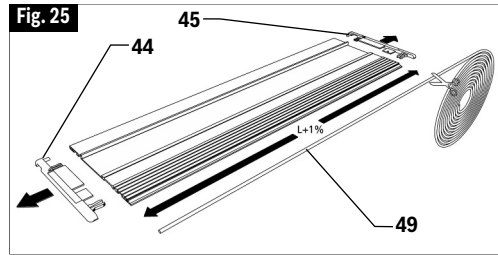


## Montage des rails

### BANDES DE TRACTION

Il est important que les deux bandes ressemblant à du caoutchouc situées au bas des rails conservent leur capacité à minimiser le risque que le rail se déplace pendant une coupe. Si une bande ou les deux bandes deviennent usées, il faut les remplacer. Le rouleau de bande de traction mesure 3,35 m / 11 pi de long.

- Tirez sur les deux capuchons d'extrémité **44** et **45** pour les faire sortir, puis retirez les bandes usées (Fig. 25).
- Déroulez et coupez deux longueurs de bande de traction **49** qui sont plus longues de 1 % que la longueur du rail. P. ex., pour le modèle FSN800, la longueur de la bande devrait être de 80,8 cm / 31,8 po (Fig. 25).
- Placez une légère couche de savon sur la nouvelle bande pour faciliter son glissement dans les rainures sur la partie inférieure des rails. Tirez la bande à travers la rainure jusqu'à l'extrémité du rail. Coupez la longueur excédentaire de bande (Fig. 26).
- Réinsérez les deux capuchons d'extrémité **44** et **45**.

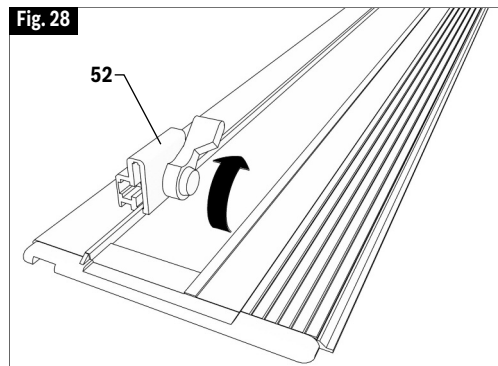


### BUTÉE DE FIN DE COURSE POUR LE RAIL

La butée de fin de course **52** (vendue séparément) peut être utilisée pour limiter la plage de déplacement de la scie (distance de coupe) sur un rail. La butée peut être utilisée pour aider à fixer le point de départ d'une coupe en plongée ou le point final de la coupe.

- Alignez le rail le long de la ligne de coupe et fixez-le en place tel que cela est décrit sous la rubrique « Sécurisation des rails » à la page 51.
- Orientez la butée sur le rail comme illustré (Fig. 27).
- Déterminez le point de départ ou le point final désiré pour la coupe.
- Positionnez la scie de telle sorte qu'elle repose dans la position dans laquelle la coupe en plongée est censée commencer ou finir.
- Une fois que la scie aura été placée à l'endroit désiré, serrez la butée **52** en place au moyen de son levier (Fig. 28).

Déplacez la scie vers l'avant pour continuer la coupe jusqu'au point final désiré. Lorsque le point final désiré est atteint,



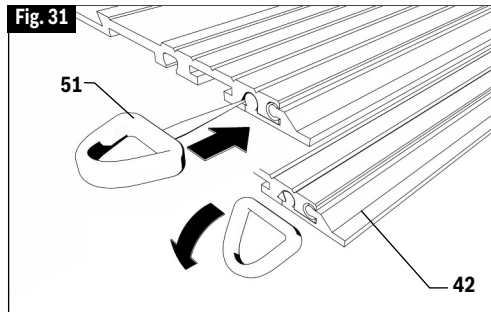
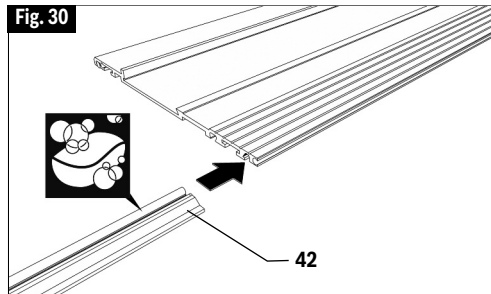
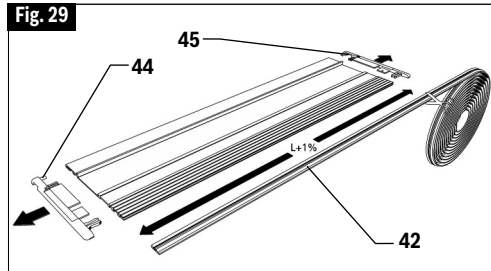
## Montage des rails

tirez la tête de la scie vers le haut, celle-ci se rétractera jusque dans la position de départ et le mécanisme plongeant se verrouillera à nouveau.

### BORD ANTI-ÉCLATS

Pour réduire au minimum le risque de causer des éclats sur l'ouvrage, un bord usé doit être remplacé. Le bord anti-éclats est fourni dans un rouleau de 3,35 m / 11 pi qui peut être coupé à la longueur désirée en fonction du rail utilisé.

- Tirez sur les deux capuchons d'extrémité **44** et **45** pour les faire sortir, puis retirez le bord anti-éclats usé (Fig. 29).
- Déroulez et coupez une longueur de bord anti-éclats **42** qui est plus longue de 1 % que la longueur du rail. P. ex., pour le modèle FSN800, la longueur de la bande devrait être de 80,8 cm / 31,8 po (Fig. 29).
- Placez une légère couche de savon sur le nouveau bord pour faciliter son glissement dans les rainures sur la partie inférieure du rail (Fig. 30).
- Tirez le bord à travers la rainure jusqu'à l'extrémité distante du rail. Coupez la longueur de bande excédentaire. Pour éviter que la bande anti-éclats ne se déplace, appuyez l'une des pointes **51** contre le rail à côté de la bande à chaque extrémité. Courbez la poignée de la pointe vers le bas pour briser la poignée (Fig. 31).
- Réinsérez les deux capuchons d'extrémité **44** et **45**.
- Voir la rubrique « Préparation du rail » à la page 51 pour apprendre à adapter le bord anti-éclats à une scie et à une lame données.



### SAC DE TRANSPORT

Le sac robuste peut contenir deux rails FSN1600 (ou plus courts), et il comprend une poche où il est possible de placer un connecteur et/ou une paire de brides de fixation rapide des rails.

## Entretien

**⚠ AVERTISSEMENT** Pour éviter le risque d'accidents, débranchez le bloc-piles de l'outil avant de procéder au nettoyage ou à l'entretien.

### Service

**⚠ AVERTISSEMENT** IL N'EXISTE À L'INTÉRIEUR AUCUNE PIÈCE SUSCEPTIBLE D'ÊTRE ENTRETENUE PAR L'UTILISATEUR. L'entretien préventif exécuté par des personnes non autorisés peut entraîner un positionnement erroné des composants et des fils internes, ce qui peut présenter de graves dangers. Nous recommandons de confier toute intervention d'entretien sur l'outil à un centre de service-usine Bosch ou à un centre de service après-vente Bosch agréé.

### Piles

Faire attention aux blocs-piles qui approchent la fin de leur vie. Si vous remarquez une diminution dans les performances de votre outil ou une durée de fonctionnement réduite de manière significative entre charges, il est temps de remplacer le bloc-piles. S'il n'est pas remplacé, il se peut qu'il endommage le chargeur ou que l'outil fonctionne incorrectement.

### Graissage de l'outil

Votre outil Bosch a été graissé de manière appropriée et il est prêt à l'usage.

### Moteurs C.C.

Le moteur de votre outil a été conçu pour de nombreuses heures d'utilisation fiable. Pour maintenir l'efficacité maximale du moteur, nous recommandons de l'examiner tous les six mois. Seul un moteur de remplacement Bosch authentique, conçu spécialement pour votre outil, doit être utilisé.

### Roulements

Les roulements qui deviennent bruyants (en raison d'une charge importante ou de la coupe de matériaux très abrasifs) doivent être remplacés immédiatement pour éviter la surchauffe et les défaillances du moteur.

### Nettoyage

**⚠ MISE EN GARDE** Certains agents de nettoyage et certains dissolvants abîment les pièces en plastique. Parmi ceux-ci se trouvent: l'essence, le tétrachlorure de carbone, les dissolvants de nettoyage chlorés, l'ammoniaque ainsi que les détergents domestiques qui en contiennent.

Gardez les prises d'air et les interrupteurs propres et libres de débris. N'essayez pas de les nettoyer en introduisant des objets pointus dans leurs ouvertures.

**Créez un agenda d'entretien périodique pour votre outil. Quand vous nettoyez un outil, faites attention de n'en démonter aucune pièce car il est toujours possible de mal remonter ou de pincer les fils internes ou de remonter incorrectement les ressorts de rappel des capots de protection.** Certains agents de nettoyage tels que l'essence, le tétrachlorure de carbone, l'ammoniaque, etc. risquent d'abîmer les plastiques.

### Entretien des lames

Les lames finissent par s'émousser, même à couper des pièces de bois régulières. Si vous constatez que vous devez forcer la scie à avancer plutôt que de la guider simplement vers la ligne de coupe, il est probable que la lame est émoussée ou souillée de résine.

Lorsque vous nettoyez la gomme et la poix de bois accumulées sur la lame, retirez la pile de la scie et enlevez la lame. Souvenez-vous que les lames sont des objets tranchants et qu'elles doivent être manipulées avec soin. Essuyez la lame avec du kérosène ou un dissolvant similaire pour enlever l'accumulation de gomme et de résine. À moins que vous soyez parfaitement familier avec l'affûtage des lames, nous vous déconseillons de l'essayer.



## Attachements et accessoires





**AVERTISSEMENT** L'utilisation d'autres accessoires ou atachements non spécifiés dans ce mode d'emploi pourrait être dangereuse.

Ranger les accessoires dans un environnement sec et tempéré pour éviter les risques de corrosion et de détérioration.

Bosch No.	Description	Inclus	Vendu séparément
<b>Accessoires</b>			
	Lame carbure de 7¼ po (184 mm) à 24 dents à voie étroite	-	●
<b>Attachements</b>			
2610041761	Sac de transport	●	●
GKSRIP	Guide de refente	-	●
160541101V	Sac à poussière	-	●
Divers	Tuyaux flexibles d'aspirateur	-	●
VAC024	Adaptateur de tuyau flexible d'aspirateur pour des tuyaux flexibles de 1-1/4 po et de 1-1/2 po	-	●
GCY42	Module de connectivité	-	●
FSN...	Rails	-	●
FSNKK	Brides de fixation des rails	-	●
FSNVEL	Connecteur de rail	-	●
FSNWAN	Guide d'onglet pour les rails	-	●
FSNRS	Butée de fin de course pour le rail	-	●
FSNSS	Bord anti-éclats	-	●
FSNHB	Bande de traction	-	●
FSNBAG	Sac de transport	-	●

## Símbolos de seguridad

Las definiciones que aparecen a continuación describen el nivel de gravedad de cada palabra de señal de seguridad. Por favor, lea el manual y preste atención a estos símbolos.

	<p>Éste es el símbolo de alerta de seguridad. Se utiliza para alertarle a usted de posibles peligros de lesiones corporales. Obedezca todos los mensajes de seguridad que sigan a este símbolo para evitar posibles lesiones o muerte.</p>
	<p>PELIGRO indica una situación peligrosa que, si no se evita, causará la muerte o lesiones graves.</p>
	<p>ADVERTENCIA indica una situación peligrosa que, si no se evita, podría causar la muerte o lesiones graves.</p>
	<p>PRECAUCIÓN indica una situación peligrosa que, si no se evita, podría causar lesiones leves o moderadas.</p>

## Advertencias generales de seguridad para herramientas mecánicas

**ADVERTENCIA** Lea todas las advertencias de seguridad, instrucciones, ilustraciones y especificaciones suministradas con esta herramienta eléctrica. Si no se siguen todas las instrucciones que se indican a continuación, es posible que el resultado sea descargas eléctricas, incendio y/o lesiones graves.

### GUARDE TODAS LAS ADVERTENCIAS E INSTRUCCIONES PARA REFERENCIA FUTURA

La expresión "herramienta mecánica" en las advertencias se refiere a su herramienta mecánica alimentada por la red eléctrica (herramienta alámbrica) o su herramienta mecánica alimentada por baterías (herramienta inalámbrica).

## 1. Seguridad del área de trabajo

- Mantenga el área de trabajo limpia y bien iluminada.** Las áreas desordenadas u oscuras invitan a que se produzcan accidentes.
- No utilice herramientas mecánicas en atmósferas explosivas, como por ejemplo en presencia de líquidos, gases o polvos inflamables.** Las herramientas mecánicas generan chispas que pueden incendiar el polvo o los vapores.
- Mantenga alejados a los niños y a las personas que estén presentes mientras esté utilizando una herramienta mecánica.** Las distracciones pueden hacerle perder el control de la herramienta.

## 2. Seguridad eléctrica

- Los enchufes de las herramientas mecánicas deben coincidir con el tomacorriente. No modifique nunca el**

**enchufe de ningún modo. No use enchufes adaptadores con herramientas mecánicas conectadas a tierra (puestas a tierra).** Los enchufes no modificados y los tomacorrientes coincidentes reducirán el riesgo de sacudidas eléctricas.

- Evite el contacto del cuerpo con las superficies conectadas o puestas a tierra, tales como tuberías, radiadores, estufas y refrigeradores.** Hay un aumento del riesgo de sacudidas eléctricas si el cuerpo del operador se conecta o pone a tierra.
- No exponga las herramientas mecánicas a la lluvia o a condiciones mojadas.** La entrada de agua en una herramienta mecánica aumentará el riesgo de que se produzcan sacudidas eléctricas.
- No maltrate el cordón de energía. No use nunca el cordón para transportar la herramienta mecánica, tirar de ella o desenchufarla. Mantenga el cordón alejado del calor, el aceite, los bordes afilados o las piezas móviles.** Los cordones dañados o enganchados aumentan el riesgo de que se

## Advertencias generales de seguridad para herramientas mecánicas

produzcan sacudidas eléctricas.

- e. **Cuando utilice una herramienta mecánica en el exterior, use un cordón de extensión adecuado para uso a la intemperie.** La utilización de un cordón adecuado para uso a la intemperie reduce el riesgo de que se produzcan sacudidas eléctricas.
- f. **Si es inevitable utilizar una herramienta mecánica en un lugar húmedo, utilice una fuente de energía protegida por un interruptor de circuito accionado por corriente de pérdida a tierra (GFCI).** El uso de un GFCI reduce el riesgo de sacudidas eléctricas.

### 3. Seguridad personal

- a. **Manténgase alerta, fíjese en lo que está haciendo y use el sentido común cuando esté utilizando una herramienta mecánica. No use una herramienta mecánica cuando esté cansado o bajo la influencia de drogas, alcohol o medicamentos.** Un momento de distracción mientras esté utilizando herramientas mecánicas podría causar lesiones corporales graves.
- b. **Use equipo de protección personal. Use siempre protección de los ojos.** El equipo de protección, como por ejemplo una máscara antipolvo, calzado de seguridad antideslizante, casco o protección de oídos, utilizado para las condiciones apropiadas, reducirá las lesiones corporales.
- c. **Evite el arranque accidental. Asegúrese de que el interruptor esté en la posición de apagado antes de conectar la herramienta a la fuente de energía y / o al paquete de batería, levantar la herramienta o transportarla.** Transportar herramientas mecánicas con un dedo en el interruptor o encender herramientas mecánicas que tengan el interruptor en la posición de encendido invita a que se produzcan accidentes.
- d. **Quite todas las llaves de ajuste o de tuerca antes de encender la herramienta mecánica.** Una llave de tuerca o de ajuste que se deje colocada en una pieza giratoria de la herramienta mecánica podría causar lesiones corporales.
- e. **No intente alcanzar demasiado lejos. Mantenga un apoyo de los pies y un equilibrio apropiados en todo momento.** Esto permite controlar mejor la herramienta mecánica en situaciones inesperadas.
- f. **Vístase adecuadamente. No use ropa**

**holgada ni alhajas holgadas. Mantenga el pelo, la ropa y los guantes alejados de las piezas móviles.** La ropa holgada, las alhajas holgadas o el pelo largo pueden quedar atrapados en las piezas móviles.

- g. **Si se proporcionan dispositivos para la conexión de instalaciones de extracción y recolección de polvo, asegúrese de que dichas instalaciones estén conectadas y se usen correctamente.** El uso de dispositivos de recolección de polvo puede reducir los peligros relacionados con el polvo.
- h. **No deje que la familiaridad obtenida con el uso frecuente de las herramientas le haga volverse complaciente e ignorar los principios de seguridad de las herramientas.** Una acción descuidada puede causar lesiones graves en una fracción de segundo.

### 4. Uso y cuidado de las herramientas mecánicas

- a. **No fuerce la herramienta mecánica. Use la herramienta mecánica correcta para la aplicación que desee realizar.** La herramienta mecánica correcta hará el trabajo mejor y con más seguridad a la capacidad nominal para la que fue diseñada.
- b. **No use la herramienta mecánica si el interruptor no la enciende y apaga.** Toda herramienta mecánica que no se pueda controlar con el interruptor es peligrosa y debe ser reparada.
- c. **Desconecte el enchufe de la fuente de alimentación y/o retire el paquete de batería de la herramienta eléctrica, si es extraíble, antes de hacer cualquier ajuste, cambiar accesorios o almacenar herramientas eléctricas.** Dichas medidas preventivas de seguridad reducen el riesgo de arrancar accidentalmente la herramienta mecánica.
- d. **Guarde las herramientas que no esté usando fuera del alcance de los niños y no deje que personas que no estén familiarizadas con la herramienta mecánica o con estas instrucciones utilicen la herramienta.** Las herramientas mecánicas son peligrosas en manos de usuarios que no hayan recibido capacitación.
- e. **Mantenga las herramientas eléctricas y sus accesorios. Compruebe si hay piezas móviles desalineadas o atoradas, si hay piezas rotas y cualquier otra situación que pueda afectar al funcionamiento de la**

## Advertencias generales de seguridad para herramientas mecánicas

**herramienta eléctrica. Si la herramienta eléctrica está dañada, haga que sea reparada antes de utilizarla.** Muchos accidentes son causados por herramientas mecánicas mantenidas deficientemente.

- f. Mantenga las herramientas de corte afiladas y limpias.** Es menos probable que las herramientas de corte mantenidas apropiadamente, con bordes de corte afilados, se atoren, y dichas herramientas son más fáciles de controlar.
  - g. Utilice la herramienta mecánica, los accesorios, las brocas de la herramienta, etc., de acuerdo con estas instrucciones, teniendo en cuenta las condiciones de trabajo y el trabajo que se vaya a realizar.** El uso de la herramienta mecánica para operaciones distintas a aquéllas para las que fue diseñada podría causar una situación peligrosa.
  - h. Mantenga secos, limpios y libres de aceite y grasa los mangos y las superficies de agarre.** Si están resbalosos, los mangos y las superficies de agarre no permiten un manejo y un control seguros de la herramienta en situaciones inesperadas.
- e. No utilice un paquete de batería o una herramienta que hayan sido dañados o modificados.** Es posible que las baterías dañadas o modificadas exhiban un comportamiento impredecible que cause un incendio, una explosión o riesgo de lesiones.
  - f. No exponga un paquete de batería o una herramienta a un fuego o una temperatura excesiva.** Es posible que la exposición a un fuego o una temperatura superior a 265 °F cause una explosión.
  - g. Siga todas las instrucciones de carga y no cargue el paquete de batería ni la herramienta fuera del intervalo de temperatura especificado en las instrucciones.** Es posible que realizar una carga incorrectamente o a temperaturas que estén fuera del intervalo especificado dañe la batería y aumente el riesgo de incendio.

### 5. Uso y cuidado de las herramientas alimentadas por baterías

- a. Recargue las baterías solamente con el cargador especificado por el fabricante.** Un cargador que es adecuado para un tipo de paquete de batería puede crear un riesgo de incendio cuando se utiliza con otro paquete de batería.
- b. Utilice las herramientas mecánicas solamente con paquetes de batería designados específicamente.** El uso de cualquier otro paquete de batería puede crear un riesgo de lesiones e incendio.
- c. Cuando el paquete de batería no se esté usando, manténgalo alejado de otros objetos metálicos, tales como sujetapapeles, monedas, llaves, clavos, tornillos u otros objetos metálicos pequeños que pueden hacer una conexión de un terminal a otro.** Si se cortocircuitan los terminales de la batería uno con otro, se pueden causar quemaduras o un incendio.
- d. En condiciones abusivas, es posible que se eyecte líquido de la batería. Evite el contacto. Si se produce un contacto**

### 6. Servicio de ajustes y reparaciones

- a. Haga que su herramienta mecánica reciba servicio de un técnico de reparaciones calificado, utilizando únicamente piezas de repuesto idénticas.** Esto asegurará que se mantenga la seguridad de la herramienta mecánica.
- b. No haga nunca servicio de ajustes y reparaciones de paquetes de batería dañados.** El servicio de ajustes y reparaciones de los paquetes de batería deberá ser realizado únicamente por el fabricante o por proveedores de servicio autorizados.

## Instrucciones de seguridad para sierras circulares

### Procedimientos de corte

- a. **⚠ PELIGRO** Mantenga las manos alejadas del área de corte y de la hoja. Mantenga la segunda mano en el mango auxiliar o en la caja del motor. Si las manos están sujetando la sierra, la hoja no puede cortarlas.
- b. **No ponga la mano debajo de la pieza de trabajo.** El protector no puede protegerle de la hoja debajo de la pieza de trabajo.
- c. **Ajuste la profundidad de corte al grosor de la pieza de trabajo.** Menos de un diente completo de los dientes de la hoja debería ser visible por debajo de la pieza de trabajo.
- d. **No sostenga nunca la pieza de trabajo en las manos ni sobre una pierna mientras esté cortando. Sujete firmemente la pieza de trabajo a una plataforma estable.** Es importante apoyar la pieza de trabajo adecuadamente para minimizar la exposición del cuerpo, el atasco de la hoja y la pérdida de control.
- e. **Sujete la herramienta mecánica por las superficies de agarre aisladas al realizar una operación en la que la herramienta de corte pueda entrar en contacto con cables ocultos.** El contacto con un cable con corriente también hará que las partes metálicas al descubierto de la herramienta lleven corriente y causará descargas eléctricas al operador.
- f. **Al cortar al hilo, utilice siempre un tope-guía para cortar al hilo o una guía de borde recto.** Esto mejora la precisión de corte y reduce la probabilidad de que la hoja se atore.
- g. **Utilice siempre hojas con agujeros de eje portaherramienta de tamaño y forma correctos (diamante frente a redondo).** Las hojas que no coincidan con los herrajes de montaje de la sierra girarán descentradas y con ello causarán pérdida de control.
- h. **Nunca utilice arandelas o perno de hoja dañados o incorrectos.** Las arandelas y el perno de la hoja se diseñaron especialmente para la sierra con objeto de lograr un rendimiento óptimo y un funcionamiento con seguridad.

### Causas del retroceso y advertencias relacionadas

El retroceso es una reacción repentina a una hoja de sierra pellizcada, atorada o desalineada, que hace que una sierra descontrolada se levante y se salga de la pieza de trabajo hacia el operador.

Cuando la hoja resulte pellizcada o se atore fuertemente debido a que la sección de corte se cierra, la hoja se detiene y la reacción del motor impulsa rápidamente la unidad hacia atrás, hacia el operador.

Si la hoja se tuerce o se desalinea en el corte, los dientes del filo trasero de la hoja pueden penetrar en la superficie superior de la madera, haciendo que la hoja se salga de la separación de corte y salte hacia atrás en dirección al operador.

El retroceso es el resultado del uso incorrecto de la sierra y/o de procedimientos o condiciones de funcionamiento incorrectos y se puede evitar tomando las precauciones adecuadas que se indican a continuación:

- a. **Mantenga un agarre firme de la sierra con las dos manos y sitúe los brazos para resistir las fuerzas de retroceso. Sitúe el cuerpo en cualquiera de los dos lados de la hoja, pero no en línea con la hoja.** El retroceso podría hacer que la sierra salte hacia atrás, pero las fuerzas de retroceso pueden ser controladas por el operador, si se toman las precauciones adecuadas.
- b. **Cuando la hoja se atasque o cuando se interrumpa un corte por cualquier razón, suelte el gatillo y sujete la sierra en posición inmóvil en el material hasta que la hoja se detenga por completo. Nunca intente retirar la sierra de la pieza de trabajo ni tirar de la sierra hacia atrás mientras la hoja está en movimiento o de lo contrario se podrá producir retroceso.** Investigue y tome medidas correctoras para eliminar la causa del atasco de la hoja.
- c. **Cuando re arranque una sierra en la pieza de trabajo, centre la hoja de sierra en la sección de corte, de manera que los dientes de la sierra no estén acoplados en el material.** Si una hoja de sierra se atora, es posible que trepe o experimente retroceso de la pieza de trabajo al re arrancar la sierra.
- d. **Soporte los paneles grandes para minimizar el riesgo de que se produzcan pellizcamiento de la hoja y retroceso.** Los

## Instrucciones de seguridad para sierras circulares

paneles grandes tienden a combarse bajo su propio peso. Se deben colocar soportes bajo el panel a ambos lados, cerca de la línea de corte y cerca del borde del panel.

- e. **No utilice una hoja desafilada o dañada.** Las hojas desafiladas o ajustadas incorrectamente producen una separación de corte estrecha, causando fricción excesiva, atasco de la hoja y retroceso.
- f. **Las palancas de fijación de profundidad de la hoja y de ajuste de inclinación de la hoja deben estar apretadas y fijas antes de hacer el corte.** Si el ajuste de la hoja cambia mientras se está haciendo un corte, puede causar atasco y retroceso.
- g. **Tenga precaución especial al hacer un operaciones de aserrado en paredes existentes o en otras áreas ciegas.** La hoja que sobresale puede cortar objetos que pueden causar retroceso.

### Función del protector inferior

- a. **Compruebe si el protector inferior cierra correctamente antes de cada uso. No haga funcionar la sierra si el protector inferior no se mueve libremente y no se cierra instantáneamente. No fije nunca con abrazaderas ni amarre el protector inferior en la posición abierta.** Si la sierra se cae accidentalmente, es posible que el protector inferior se doble. Suba el protector inferior con el mango retráctil y

asegúrese de que se mueva libremente y no toque la hoja ni ninguna otra parte, en todos los ángulos y profundidades de corte.

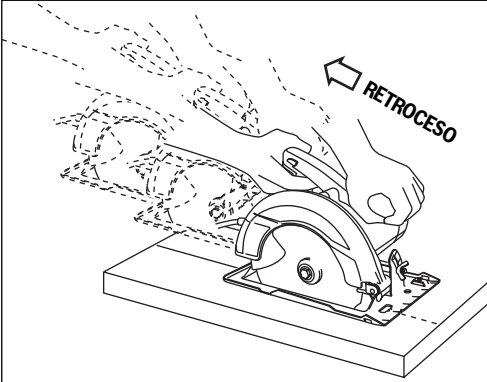
- b. **Compruebe el funcionamiento del resorte del protector inferior. Si el protector y el resorte no están funcionando correctamente, deben recibir servicio de ajustes y reparaciones antes de utilizarlos.** Es posible que el protector inferior funcione con dificultad debido a que haya piezas dañadas, depósitos gomosos o una acumulación de residuos.
- c. **El protector inferior se puede retirar manualmente solo para cortes especiales, tales como "cortes por inmersión" y "cortes compuestos". Suba el protector inferior por el mango retráctil y en cuanto la hoja entre en contacto con el material, el protector inferior se debe soltar.** Para todos los demás cortes de aserrado, el protector inferior debería funcionar automáticamente.
- d. **Observe siempre que el protector inferior esté cubriendo la hoja antes de dejar la sierra en un banco o en el piso.** Una hoja desprotegida y que esté desacelerando hará que la sierra se desvíe hacia atrás, cortando todo aquello que esté en su trayectoria. Tenga en cuenta el tiempo que se toma para que la hoja se detenga después de soltar el interruptor.

## Instrucciones de seguridad adicionales para sierras circulares

- a. **Inspeccione el estado y la calidad de la madera y quítele todos los clavos antes de realizar el corte.** La madera mojada, la madera verde y la madera tratada a presión requieren atención especial durante la operación de corte para prevenir el retroceso.
- b. **Sujete la sierra firmemente para evitar la pérdida de control.** Las figuras que aparecen en este manual ilustran la manera típica de sujetar la sierra con las manos.
- c. **Según el uso, es posible que el interruptor no dure toda la vida de la sierra. Si el interruptor falla en la posición "OFF" (apagado), puede que la sierra no arranque.** Si falla mientras la sierra está en marcha, puede que ésta no se pueda apagar. Si se produce cualquiera de estas dos situaciones, retire inmediatamente el paquete de batería de la sierra y no utilice la sierra hasta que haya sido reparada.
- d. **Esta sierra circular no se debe montar en una mesa para convertirla en una sierra de mesa.** Las sierras circulares no están diseñadas ni concebidas para usarse como sierras de mesa.
- e. **Las arandelas y el perno de la hoja de la sierra se han diseñado para funcionar**

## Instrucciones de seguridad adicionales para sierras circulares

como un embrague para reducir la intensidad de un retroceso. Entienda el funcionamiento y las posiciones del EMBRAGUE DE PAR MOTOR VARIABLE. El ajuste apropiado del embrague, combinado con un manejo firme de la sierra, le permitirá controlar el retroceso.



- f. **Nunca ponga la mano detrás de la hoja de sierra.** El retroceso podría hacer que la sierra salte hacia atrás sobre la mano.
- g. **No utilice la sierra con un ajuste de la profundidad de corte que sea excesivo.** Si una parte demasiado grande de la hoja queda al descubierto, se aumentan las posibilidades de que la hoja se tuerza en la sección de corte y se aumenta el área de superficie de la hoja disponible para causar un pellizco que produzca retroceso.
- h. **No tenga la herramienta en marcha mientras la lleva a su lado. El protector inferior se puede abrir al entrar en contacto con su ropa.** El contacto accidental con la hoja de sierra que gira podría ocasionar lesiones personales graves.
- i. **Asegúrese de que el interruptor esté en la posición de apagado antes de introducir el paquete de batería.** Si se introduce el paquete de batería en herramientas mecánicas que tengan el interruptor en la posición de encendido, se invita a que se produzca accidente.
- j. **Periódicamente quite la hoja, limpie con queroseno los protectores superior e inferior y el área central y séquelos con un trapo.** El mantenimiento preventivo y un protector que funcione correctamente reducirán la probabilidad de que se produzca un accidente.
- k. **Evite sobrecalentar las puntas de la hoja de sierra.**

## Advertencias de seguridad adicionales

Un GFCI y los dispositivos de protección personal, como guantes de goma y calzado de goma de electricista, mejorarán más su seguridad personal.

**Desarrolle un programa de mantenimiento periódico de la herramienta. Cuando limpie una herramienta, tenga cuidado de no desmontar ninguna de sus partes, ya que los cables internos podrían reubicarse incorrectamente o pellizcarse, o los resortes de retorno de los protectores de seguridad podrían montarse incorrectamente.** Ciertos agentes de limpieza, tales como gasolina, tetracloruro de carbono, amoníaco, etc., podrían dañar las piezas de plástico.

**⚠ ADVERTENCIA** Cierta cantidad de polvo generado por el lijado, aserrado, amolado y taladrado mecánicos, y por otras actividades de




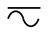

construcción, contiene agentes químicos que se sabe que causan cáncer, defectos de nacimiento u otros daños sobre la reproducción. Algunos ejemplos de estos agentes químicos son:

- Plomo de pinturas a base de plomo,
- Sílice cristalina de ladrillos y cemento y otros productos de mampostería, y
- Arsénico y cromo de madera tratada químicamente.

Su riesgo por causa de estas exposiciones varía, dependiendo de con cuánta frecuencia realice este tipo de trabajo. Para reducir su exposición a estos agentes químicos: trabaje en un área bien ventilada y trabaje con equipo de seguridad aprobado, como por ejemplo máscaras antipolvo que estén diseñadas especialmente para impedir mediante filtración el paso de partículas microscópicas.

## Símbolos

**Importante:** Es posible que algunos de los símbolos siguientes se usen en su herramienta. Por favor, estúdielos y aprenda su significado. La interpretación adecuada de estos símbolos le permitirá utilizar la herramienta mejor y con más seguridad.

Símbolo	Désignación / Explicación
V	Volt (tensión)
Ah	Amperios-hora (medición de la capacidad de la batería)
A	Ampere (corriente)
Hz	Hertz (frecuencia, ciclos por segundo)
W	Watt (potencia)
kg	Kilogramo (peso)
min	Minuto (tiempo)
s	Segundo (tiempo)
∅	Diámetro (tamaño de las brocas taladradoras, muelas, etc)
$n_0$	Velocidad sin carga (velocidad rotacional sin carga)
n	Velocidad nominal (máxima velocidad obtenible)
.../min	Revoluciones o alternación por minuto (revoluciones, golpes, velocidad de superficie, órbitas, etc., por minuto)
0	Posición "off" (velocidad cero, par motor cero...)
1, 2, 3, ... I, II, III,	Graduaciones del selector (graduaciones de velocidad, par motor o posición. Un número más alto significa mayor velocidad)
	Selector infinitamente variable con apagado (la velocidad aumenta desde la graduación de 0)
	Flecha (Acción en la dirección de la flecha)
	Corriente alterna (tipo o una característica de corriente)
	Corriente continua (tipo o una característica de corriente)
	Corriente alterna o continua (tipo o una característica de corriente)
	Construcción de clase II (designa las herramientas de construcción con aislamiento doble)
	Terminal de toma de tierra (terminal de conexión a tierra)



## Símbolos

**Importante:** Es posible que algunos de los símbolos siguientes se usen en su herramienta. Por favor, estúdielos y aprenda su significado. La interpretación adecuada de estos símbolos le permitirá utilizar la herramienta mejor y con más seguridad.

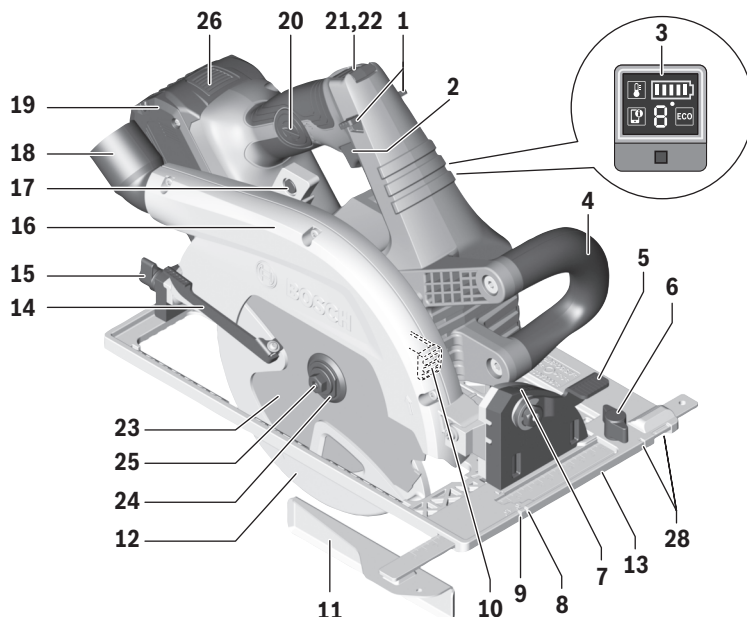
Símbolo	Désignación / Explicación
	Alerta al usuario para que lea el manual.
	Alerta al usuario para que use protección de los ojos.
	Este símbolo indica que esta herramienta está catalogada por Underwriters Laboratories.
	Este símbolo indica que este componente está reconocido por Underwriters Laboratories.
	Este símbolo indica que Underwriters Laboratories ha catalogado esta herramienta indicando que cumple con las normas estadounidenses y canadienses.
	Este símbolo indica que esta herramienta está catalogada por la Canadian Standards Association.
	Este símbolo indica que la Canadian Standards Association ha catalogado esta herramienta indicando que cumple con las normas estadounidenses y canadienses.
	Este símbolo indica que Intertek Testing Services ha catalogado esta herramienta indicando que cumple con las normas estadounidenses y canadienses.
	Este símbolo indica que esta herramienta cumple con la norma mexicana oficial (NOM).
	Designa el programa de reciclaje de baterías de Li-ion.
	Designa el programa de reciclaje de baterías de Ni-Cd.

## Familiarización con la sierra

**⚠ ADVERTENCIA** Desconecte el paquete de batería de la herramienta antes de realizar cualquier ensamblaje, ajuste o cambio de accesorios. Dichas medidas preventivas de seguridad reducen el riesgo de arrancar la herramienta accidentalmente.

### Sierras circulares sin cordón GKS18V-25GC

Fig. 1



- |    |  |    |  |
|----|--|----|--|
| 1  | Botón de liberación de fijación en apagado                         | 15 | Pomo de fijación de bisel trasero              |
| 2  | Gatillo  | 16 | Protector superior                             |
| 3  | Interfaz del usuario   | 17 | Escala de profundidad de corte                 |
| 4  | Mango auxiliar (superficie de agarre con aislamiento)              | 18 | Orificio para polvo                            |
| 5  | Palanca de ajuste de bisel   | 19 | Paquete de baterías                            |
| 6  | Tuerca de mariposa (incluida con el tope-guía para cortar al hilo) | 20 | Compartimiento del módulo de conectividad      |
| 7  | Cuadrante de inclinación calibrado                                 | 21 | Botón de liberación del control de profundidad |
| 8  | Muesca de guía de la línea de corte a 0°                           | 22 | Botón de fijación del control de profundidad   |
| 9  | Muesca de guía de la línea de corte a 45°                          | 23 | Hoja   |
| 10 | Botón del cierre del eje   | 24 | Arandela exterior                              |
| 11 | Tope-guía para cortar al hilo*                                     | 25 | Perno de la hoja                               |
| 12 | Protector inferior   | 26 | Botón de liberación del paquete de baterías    |
| 13 | Base   | 27 | Mango (superficie de agarre con aislamiento)   |
| 14 | Palanca de elevación del protector inferior (Mango retractil)      | 28 | Ranuras para carril guía                       |

\* Vendido por separado

Para el sistema de carril guía, consulte las páginas 79–84

## Especificaciones

Número de modelo	GKS18V-25GC
Tensión nominal	18 V <sup>---</sup>
Capacidad sin carga	$n_0$ 2 500–5 000/min
Hoja*	7-1/4 pulg. (184 mm)
Agujero de eje porta-herramienta de la hoja	5/8 pulg. (16 mm) Redondo
Grosor de los dientes de la hoja	7/64 pulg. (2,6mm)* *mínimo 3/64 pulg. (1,0 mm)
Grosor del cuerpo de la hoja	0.079 pulg. (2,0 mm) Máximo
Profundidad de corte a 0°	2-1/2 pulg. (63,5 mm) Máximo
Profundidad de corte a 45°	1-13/16 pulg. (46 mm) Máximo
Profundidad de corte a 50°	1-5/8 pulg. (41,3 mm) Máximo
Temperatura ambiente permitida – durante el proceso de carga – durante la utilización /almacenamiento	32...95 °F (0...+35 °C) –4...122 °F (–20...+50 °C)

\* Para hojas de repuesto, recomendamos hojas de sierra circular inalámbrica Bosch. Su diseño de sección de corte delgada y dientes delgados ofrece una velocidad extraordinaria y gran calidad de corte, y reduce el desgaste de la batería. El uso de hojas estándar afectará sustancialmente al rendimiento y reducirá el tiempo de funcionamiento.

### Módulo de conectividad (vendido por separado)

Sírvase consultar las instrucciones de utilización y seguridad incluidas con el módulo de conectividad.

### Paquetes de batería/Cargadores de baterías:

Sírvase consultar la lista de baterías/cargadores incluidas con su herramienta.

## Uso previsto

**⚠ ADVERTENCIA** Utilice esta sierra solo según lo previsto. Es posible que un uso no previsto cause lesiones corporales y daños materiales.

**Este producto está diseñado para cortar madera y productos tipo madera solamente.** Es posible que la acumulación de polvo alrededor del protector inferior y el núcleo, procedente de otros materiales (plástico, mampostería o metal), inutilice el protector inferior.

### Corte de mampostería y metal

**⚠ ADVERTENCIA** No corte metal ni mampostería con esta sierra circular. El polvo generado al cortar metal o mampostería hará que el protector inferior funcione con dificultad y es posible que no se cierre completa y rápidamente después de cortar estos materiales.

**⚠ ADVERTENCIA** No use ruedas abrasivas. Esta herramienta no está diseñada para utilizarse con discos recortadores para metal o mampostería.

**⚠ ADVERTENCIA** No utilice una rueda abrasiva de diamante de corte en húmedo ni dispositivos de alimentación de agua con esta sierra circular. Los residuos de los cortes de mampostería entrarán en el sistema del protector inferior, se endurecerán y harán que el protector se vuelva inoperable. El uso de agua en las aplicaciones de corte de mampostería con una sierra circular eléctrica causará peligros de descargas eléctricas.

Esta herramienta no está diseñada para utilizarse con discos recortadores para metal o mampostería.

## Ensamblaje de la sierra

**⚠ ADVERTENCIA** Desconecte el paquete de batería de la herramienta antes de realizar cualquier ensamblaje, ajuste o cambio de accesorios. Dichas medidas preventivas de seguridad reducen el riesgo de arrancar la herramienta accidentalmente.

### Introducción y suelta del paquete de baterías

**⚠ ADVERTENCIA** Utilice únicamente baterías Bosch recomendadas en la lista de baterías/cargadores incluida con su herramienta. Es posible que el uso de otros tipos de baterías cause lesiones corporales o daños materiales.

Deslice el paquete de baterías cargado **19** al interior de la carcasa hasta que dicho paquete se acople en su sitio (Fig. 2).

La herramienta está equipado con un pestillo de fijación secundario para impedir que dicho paquete se caiga y salga completamente del mango, en caso de que se afloje debido a la vibración.

Para quitar el paquete de baterías **19**, oprima el botón de liberación del paquete de baterías **26** y deslice dicho paquete hacia delante.

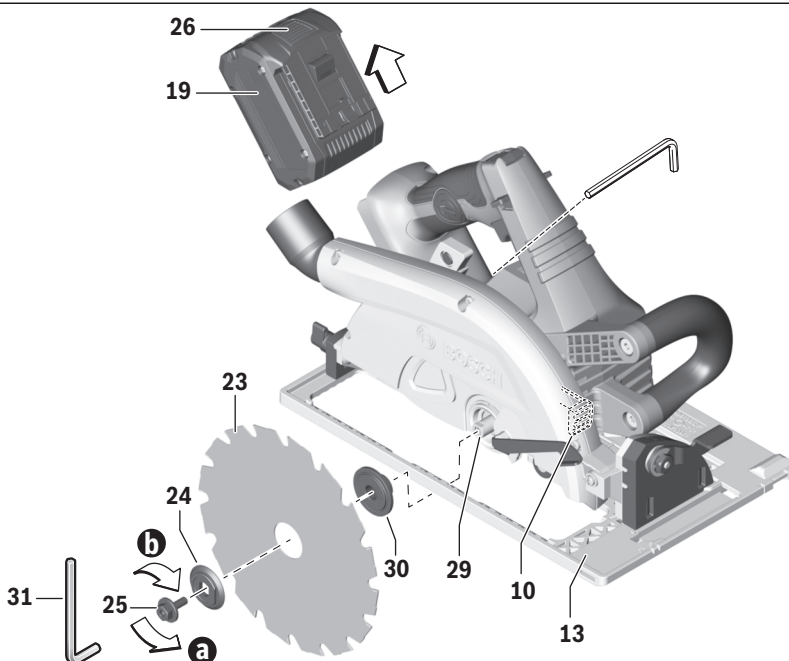
Oprima de nuevo el botón de liberación del paquete de baterías **26** y deslice dicho paquete completamente hacia afuera hasta sacarlo de la carcasa de la herramienta (Fig. 2).

### Colocación de la hoja

**⚠ ADVERTENCIA** Utilice solo una hoja de 7-1/4 pulgadas (184 mm). Utilice solo una hoja que tenga una capacidad nominal de 5000/min (RPM) o mayor. La utilización de una hoja que no esté diseñada para la sierra puede causar lesiones corporales graves y daños materiales.

1. Presione y mantenga presionado el botón de fijación del eje **10**. Gire el perno de la hoja **25** con la llave hexagonal suministrada **31** en el sentido **a** y retire el perno de la hoja **25** y la arandela externa **24**. **Nota:** la llave hexagonal se almacena cerca del compartimiento de la batería (Fig. 2).

Fig. 2



## Ensamblaje

2. Asegúrese de que los dientes de la sierra y la flecha de la hoja están dirigidos en la misma dirección que la flecha del protector inferior.
3. Retraiga el protector inferior por completo hasta el interior del protector superior. Mientras que retrae el protector inferior, revise el funcionamiento y el estado del MUELLE DEL PROTECTOR INFERIOR.
4. Deslice la hoja **23** a través de la ranura de la base **13** y móntela junto a la arandela interior **30** en el eje **29**. Asegúrese de que no queda espacio entre el diámetro grande de la arandela exterior **24** y la hoja (Fig. 2).
5. Reinstale la arandela externa y apriete el perno de la hoja **25** con los dedos en el sentido **b**. Presione y mantenga presionado el botón de fijación **10** para fijar el eje y APRIETE EL PERNO DE LA HOJA EN SENTIDO CONTRARIO AL DE LAS AGUJAS DEL RELOJ 1/4 DE VUELTA CON LA LLAVE HEXAGONAL SUMINISTRADA (Fig. 2).

No utilice llaves con mangos más largos, ya que pueden hacer que el perno de la hoja quede excesivamente apretado.

### EMBRAGUE DE PAR MOTOR VARIABLE

Esta acción de embrague es proporcionada

por la fricción de la arandela exterior **24** contra la hoja **23** y permite que el eje de la hoja gire cuando la hoja encuentra una resistencia excesiva. Cuando el perno de la hoja **25** esté apretado adecuadamente (tal como se describe en el No. 5 de Colocación de la hoja), la hoja patinará al encontrar una resistencia excesiva, por lo que reducirá la tendencia de la sierra al RETROCESO.

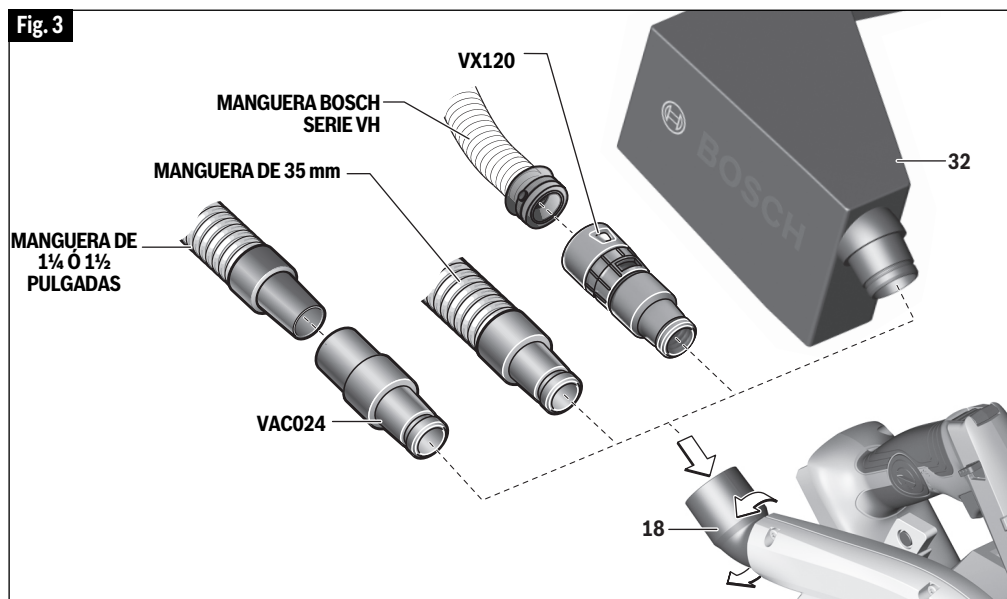
Una posición de ajuste puede no ser suficiente para cortar todos los materiales. Si la hoja patina demasiado, apriete el perno de la hoja una marca más. **EL APRETAR EXCESIVAMENTE EL PERNO DE LA HOJA ANULA LA EFICACIA DEL EMBRAGUE.**

### Extracción de polvo

**⚠ ADVERTENCIA** Para reducir el riesgo de lesiones, posicione siempre el orificio para polvo y la manguera de aspiración de manera que no interfieran con el protector inferior ni con la operación de corte en todas las configuraciones.

### ORIFICIO PARA POLVO

El orificio para polvo **18** gira para que el polvo se pueda dirigir en el sentido deseado (Fig. 3).



## Ensamblaje

**BOLSA COLECTORA DE POLVO** (vendida por separado)

**Utilización de una bolsa colectora de polvo:** Para instalar la bolsa colectora de polvo vacía **32**, presione el extremo de su acoplador para ajustarlo en el orificio para polvo de la sierra **18** (Fig. 3).

**Limpieza de la bolsa para polvo:** Después de que la bolsa para polvo esté llena de 2/3 a 3/4, retírela de la sierra. Lleve la bolsa a un recipiente apropiado y abra la cremallera ubicada en la parte de abajo de la bolsa. Agarre la bolsa por el extremo donde está ubicado el acoplador y sacúdala vigorosamente hasta que todo el polvo y todos los residuos hayan caído de ella. Cierre la cremallera y reinstale la bolsa.

NOTA: Limpie la bolsa al final de la sesión de corte y antes de transportar o almacenar la sierra.

**⚠ ADVERTENCIA** Tenga sumo cuidado cuando deseche el polvo. Los materiales en forma de partículas finas pueden ser explosivos. No arroje aserrín a un fuego al descubierto. Con el tiempo se puede

producir una combustión espontánea como resultado de la mezcla de aceite o agua con las partículas de polvo.

### CONEXIÓN A UNA ASPIRADORA / UN EXTRACTOR DE POLVO

Conecte la manguera de la aspiradora al orificio para polvo (Fig. 3).

- Mangueras Bosch serie VH: Se requiere el adaptador de manguera VX120 (incluido con las mangueras serie VH).
- Otras mangueras de 35 y 22 mm, tales como las mangueras Bosch serie VAC: Conecte la manguera directamente a la herramienta.
- Mangueras comunes de 1-1/4 o 1-1/2 pulgadas: Se requiere el adaptador Bosch VAC024 (vendido por separado).

Conecte la manguera de aspiración a una aspiradora.

**La aspiradora debe ser adecuada para el material en el cual se esté trabajando.**

**Cuando aspire polvo seco que sea especialmente perjudicial para la salud o cancerígeno, utilice una aspiradora o un extractor de polvo especial.**

## Acción de freno

**⚠ ADVERTENCIA** Deje que la hoja de la sierra se detenga por completo antes de dejar la herramienta en algún lugar. La acción de freno de esta sierra circular no está diseñada como función de seguridad. Un contacto accidental con una hoja de sierra que esté rotando puede causar daños materiales y/o lesiones corporales.

**⚠ ADVERTENCIA** Conozca el estado de carga de la batería. La acción de frenado eléctrico es iniciada SOLO por la liberación del interruptor gatillo y en una herramienta que tenga alimentación eléctrica disponible. Cuando se pierda la alimentación eléctrica debido a que la batería se haya descargado o a otras causas, el freno eléctrico no funcionará y el motor reducirá su velocidad gradualmente. Es posible que un tiempo inesperado de desaceleración cause daños materiales y/o lesiones corporales.

Esta sierra circular está equipada con un freno eléctrico automático, el cual está

diseñado para hacer que la hoja de sierra deje de girar en aproximadamente dos (2) segundos después de que usted suelte el interruptor gatillo. Esta función ayuda a mejorar la productividad en el sitio de construcción.

La acción de frenado comienza una vez que se apague la herramienta. Para que el freno funcione es necesario que la batería esté cargada. El tiempo de parada variará dependiendo, entre otros factores, de la hoja de sierra que se esté utilizando y del número de accionamientos. El freno eléctrico de esta sierra circular ha sido diseñado para ofrecer un alto grado de confiabilidad, pero las circunstancias inesperadas, tales como la contaminación o una falla de los componentes del motor, pueden hacer que el freno no detenga uniformemente la hoja en aproximadamente 2 segundos. NO utilice la sierra circular y haga que reciba servicio de ajustes y reparaciones por un Centro de Servicio de Fábrica Bosch o por un centro de servicio autorizado Bosch.

## Instrucciones de funcionamiento

**⚠ ADVERTENCIA** Desconecte el paquete de batería de la herramienta antes de realizar cualquier ensamblaje, ajuste o cambio de accesorios. Dichas medidas preventivas de seguridad reducen el riesgo de arrancar la herramienta accidentalmente.

### Ajuste de profundidad

**⚠ ADVERTENCIA** Ajuste la profundidad de corte de manera que no más de un diente sea visible debajo de la pieza de trabajo. Una exposición excesiva de la hoja por debajo de la pieza de trabajo podría causar lesiones corporales y/o daños materiales.

**⚠ ADVERTENCIA** El sistema de ajuste de profundidad no se deberá utilizar para cambiar la profundidad mientras la sierra esté en funcionamiento ni para cortar por inmersión. Si el ajuste de la hoja cambia mientras se realiza el corte, es posible que cause atoramiento y retroceso.

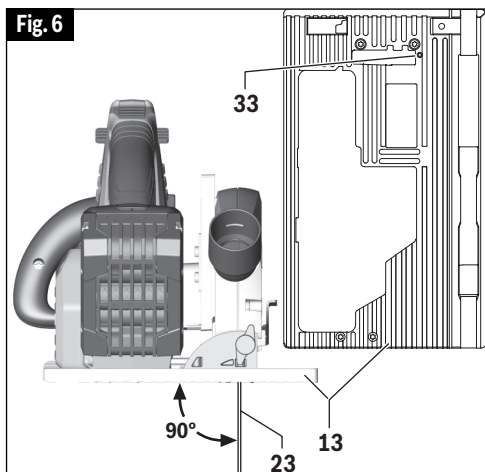
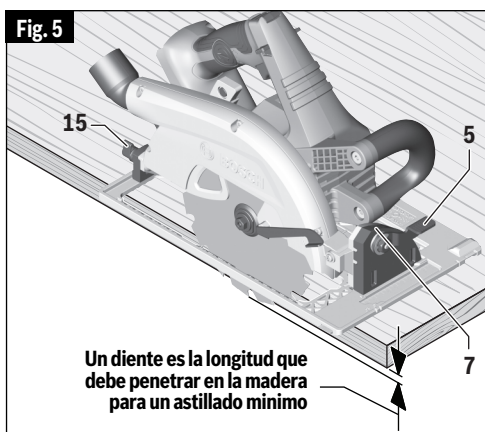
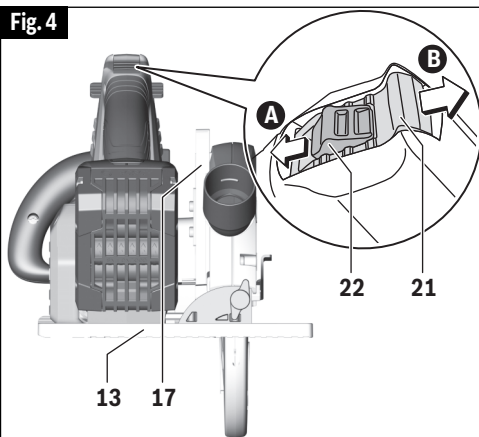
Para ajustar la profundidad de corte, siga estas instrucciones (Fig. 4):

- Desconecte el paquete de batería de la herramienta.
- Presione el botón de fijación del control de profundidad **22**.
- Deslice el botón de liberación del control de profundidad **21** hacia delante.
  - Para obtener una profundidad de corte más pequeña, jale la sierra alejándola del pie **13**;
  - Para obtener una profundidad de corte más grande, empuje la sierra hacia el pie **13**. La escala de profundidad de corte **17** tiene unidades tanto en pulgadas como métricas.

**Nota:** No más de la longitud de un diente de la hoja debería sobresalir por debajo del material que se vaya a cortar, para que el astillamiento sea mínimo (Fig. 5).

### Verificación del ángulo de corte de 90°

- Desconecte el paquete de batería de la herramienta.
- Ajuste el pie a la configuración de profundidad de corte máxima.



## Instrucciones de funcionamiento

- C. Afloje la palanca de ajuste **5** y el pomo de ajuste de bisel trasero **15**, ajuste el ángulo a 0° en la escala de bisel **7** y reapriete la palanca **5** y el pomo **15** (Fig. 5).
- D. Compruebe si el ángulo es de 90° entre la hoja y el plano inferior del pie **13** con una escuadra (Fig. 6). Si es necesario, haga ajustes girando el tornillo de alineación pequeño **33** ubicado en el lado inferior del pie **13** con una llave Allen de 2,5 mm [no incluida] (Fig. 6).

### Ajuste de inclinación

- A. Desconecte el paquete de batería de la herramienta.
- B. Afloje la palanca de ajuste de bisel **5** y el pomo de ajuste de bisel trasero **15**.
- C. Realice la alineación al ángulo deseado en la escala de bisel **7**. El pie se puede ajustar hasta 50°.
- D. Apriete el pomo de ajuste de bisel **15** y la palanca **5** (Fig. 5).

Debido al aumento en la cantidad de acoplamiento de la hoja en la pieza de trabajo y a la disminución en la estabilidad de la base, se puede producir el atasco de la hoja. Mantenga la sierra estable y la base firme sobre la pieza de trabajo.

### Muecas de guía de la línea de corte

Las muescas marcadas **8** y **9** ubicadas en la parte delantera de la placa-base indican la línea de corte aproximada (Fig. 7).

**Cuando el carril guía no se esté utilizando:**

- Para realizar un corte no biselado, utilice

la muesca de 0° **8**.

- Para realizar cortes en bisel a 45° y 50°, utilice la muesca de 45° **9**.

**Cuando se esté utilizando el carril guía:**

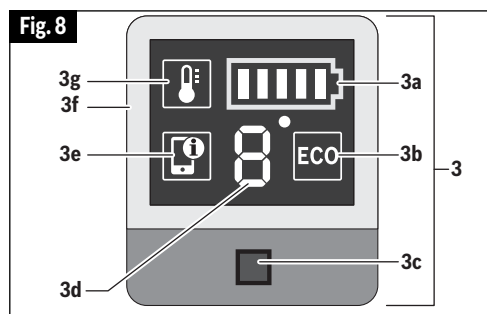
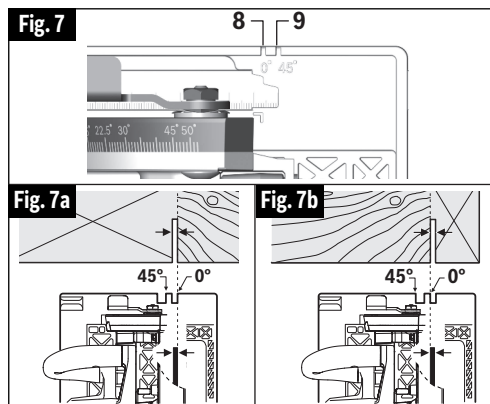
- Tanto para cortes biselados como no biselados, utilice la muesca de 0° **8**.

**Para todos los cortes:**

- Para asegurarse de que el astillamiento sea mínimo en el lado bueno del material que se vaya a cortar, oriente el lado bueno hacia abajo.
- Haga cortes de muestra en madera de desecho para verificar la línea de corte real. Esto será útil debido a la variedad de tipos y grosores de hoja que están disponibles.
- Utilice el lado DERECHO de la muesca cuando la parte de la pieza de trabajo que está a la izquierda de la hoja sea la pieza de desecho (Fig. 7a).
- Utilice el lado IZQUIERDO de la muesca cuando la parte de la pieza de trabajo que está a la derecha de la hoja sea la pieza de desecho (Fig. 7b).

### Interfaz del usuario (Fig. 8)

La interfaz del usuario **3** se utiliza para seleccionar los niveles de velocidad preestablecidos y para indicar el estado de la herramienta eléctrica y la batería.



### MODO ECO

Cuando no se necesite la potencia completa, el modo Eco de ahorro de energía de la sierra se puede utilizar para reducir la potencia de salida de la sierra con el fin de prolongar el tiempo de funcionamiento.

Si el modo ECO está activo, el indicador de nivel/modo de velocidad **3d** mostrará el



## Instrucciones de funcionamiento

símbolo “E” y el ícono “ECO” **3b** se iluminará.

### PREAJUSTES DE VELOCIDAD

Los ajustes de velocidad y el modo ECO están preprogramados y se pueden ajustar a través de la aplicación “Bosch Toolbox”. Para obtener más información sobre la aplicación “Bosch Toolbox”, consulte el capítulo “Conectividad” que se encuentra en la página siguiente. La tabla que aparece a continuación describe las velocidades preestablecidas y la velocidad del modo ECO.

	Velocidades preestablecidas
Eco	3630/min
<b>1</b>	2500/min
<b>2</b>	3000/min
<b>3</b>	3500/min
<b>4</b>	4000/min
<b>5</b>	4500/min
<b>6</b>	5000/min

### INDICADOR DE CARGA DE LA BATERIA

Cuando el indicador de carga de la batería **3a** se encienda en **verde**, la batería estará cargada y el número de barras mostrará el nivel de carga.

Si se enciende en **amarillo** y con solo una barra, indica que es necesario reemplazar o cargar pronto la batería.

Si se enciende en **rojo** y con solo una barra, significa que la carga de la batería se ha agotado.

### INDICADOR DE TEMPERATURA

Si el indicador de temperatura **3g** se enciende en **amarillo**, se habrá alcanzado la temperatura crítica del motor, los componentes electrónicos o la batería. Tenga la herramienta en funcionamiento sin carga y deje que se enfríe.

Si el indicador de temperatura se enciende en **rojo**, la herramienta eléctrica está sobrecalentada y se apagará. Deje que la herramienta eléctrica se enfríe.

### INDICADOR DE ESTADO DEL TELEFONO INTELIGENTE

Es necesario comprar e instalar un módulo de conectividad Bosch e instalar la aplicación “Bosch Toolbox” para recibir información y mensajes cuando haya alertas del indicador de estado del teléfono inteligente. Consulte el capítulo

Conectividad que se encuentra en la página siguiente.

El indicador de estado del teléfono inteligente **3e verde** significa que hay información no crítica disponible en la aplicación “Bosch Toolbox” para que el usuario la lea.

El indicador de estado del teléfono inteligente **3e amarillo** significa que hay información importante disponible (p. ej., advertencia de temperatura).

El indicador de estado del teléfono inteligente **3e rojo** significa que hay información crítica disponible. Se recomienda que el usuario revise inmediatamente el mensaje.

### MARCO DE ESTADO DE LA HERRAMIENTA ELECTRICA

La **luz verde** del marco de estado de la herramienta eléctrica **3f** significa que todo está funcionando correctamente.

La **luz amarilla** significa que:

- Se ha alcanzado la temperatura crítica (el indicador de temperatura **3g** también se enciende en amarillo). Tenga la herramienta en funcionamiento sin carga y deje que se enfríe o
- La batería está casi agotada (el indicador de carga de la batería **3a** también se enciende en amarillo). Cargue o reemplace pronto la batería.

Una **luz roja** significa que:

- La herramienta se ha sobrecalentado (el indicador de temperatura **3g** está se enciende en rojo). Apague la herramienta y enciéndala de nuevo, o
- La batería está agotada (el indicador de carga de la batería **3a** también se enciende en rojo). Cargue o reemplace la batería.

Una **luz azul parpadeante** significa que la herramienta eléctrica está conectada a un dispositivo móvil o que se están transfiriendo los ajustes. El usuario debe presionar el botón de la interfaz del usuario **3c** para aceptar y almacenar uno o varios ajustes nuevos.

### Conectividad

**⚠ ADVERTENCIA** Para reducir el riesgo de lesiones, lea las instrucciones de utilización incluidas con el módulo de

## Instrucciones de funcionamiento

**conectividad Bosch.** Las instrucciones de utilización del módulo de conectividad incluyen información importante que no se cubre en este manual.

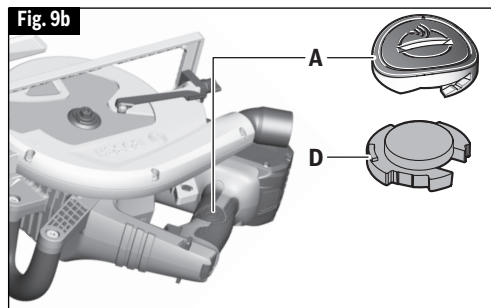
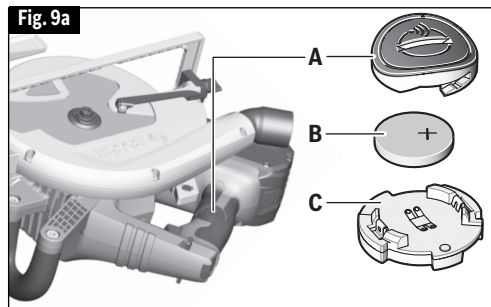
Esta herramienta eléctrica es compatible con Bluetooth y varias funciones selectas se pueden ajustar remotamente utilizando un dispositivo móvil. La utilización de estas funciones requiere la instalación de un módulo de conectividad Bosch Bluetooth y un dispositivo móvil con la aplicación Bosch Toolbox instalada.

Si el módulo de conectividad no se compra con la herramienta, o si se hace necesario reemplazar el módulo o la batería, por favor, siga este procedimiento (vea la Fig. 9a):

- Utilizando un destornillador plano o una moneda, retire la cubierta **A** del lado del mango, girándola 1/4 de vuelta en sentido contrario al de las agujas del reloj (Fig. 9a o 9b).
- Si la herramienta ya está equipada con el módulo de conectividad, retire la batería **B**, pero no retire el módulo de conectividad **C**.
- Si el módulo de conectividad se instala por primera vez, retire el marcador de posición de plástico **D** del compartimiento del módulo de conectividad y coloque el módulo de conectividad **C** en el compartimiento, prestando atención a la orientación correcta (Fig. 9b). **Nota:** Guarde el marcador de posición **D** en un lugar seguro. Reinserte de nuevo el marcador de posición si se retira el módulo de comunicaciones.
- Seguidamente, coloque la batería nueva **B** en la parte de arriba del módulo de conectividad con la polaridad “+” orientada hacia arriba (Fig. 9a).
- Coloque la cubierta **A** sobre la batería y gírela 1/4 de vuelta en el sentido de las agujas del reloj utilizando un destornillador plano o una moneda.

### UTILIZACIÓN DE LA APLICACIÓN “BOSCH TOOLBOX”

La aplicación “Bosch Toolbox” se puede descargar de la tienda App Store o Google Play.



Instale la aplicación “Bosch Toolbox” en su dispositivo móvil o asegúrese de que está utilizando la versión más reciente de la aplicación.

Lance la aplicación “Bosch Toolbox” en su dispositivo móvil y haga clic en el ícono/mosaico “My Tools” (Mis herramientas). Siga las instrucciones de la aplicación para emparejar la herramienta con el dispositivo móvil.

### RESUMEN DE LAS VENTAJAS DEL MÓDULO DE CONECTIVIDAD Y LA APLICACIÓN

Cuando se utilice con el módulo de conectividad, la aplicación “Bosch Toolbox” permitirá lo siguiente con la herramienta:

- Inscripción y personalización
- Comprobación del estado y comunicación de mensajes de advertencia
- Información general y ajustes
- Ajuste de los niveles de velocidad
- ❓ El botón de ayuda de la aplicación explica las funciones de la misma.
- ℹ El botón de información de la aplicación muestra la información y las especificaciones de la herramienta.

## Instrucciones de funcionamiento

**⚠** El botón de alertas muestra cualquier alerta recibida desde la herramienta.

### Botones de liberación de fijación en apagado

Los botones de liberación de fijación en apagado están diseñados para prevenir los arranques accidentales. Para utilizarlos, presione el botón de liberación **1** con el dedo pulgar en cualquiera de los dos lados del asa para desacoplar el cierre y luego apriete el gatillo **2** (Fig. 1). Cuando se suelte el gatillo, el botón acoplará automáticamente el interruptor de seguridad y el gatillo ya no funcionará.

### Interruptor

**Cuando arranque la herramienta, agárrela con las dos manos.** La fuerza de torsión producida por el motor puede hacer que la herramienta se tuerza.

Para encender la herramienta, presione el botón de liberación de fijación de apagado **1** con el dedo pulgar en cualquiera de los dos lados del asa para desacoplar el cierre y luego apriete el gatillo **2** (Fig. 1). Para "APAGAR" la herramienta, suelte el interruptor gatillo, que está accionado por resorte y regresará automáticamente a la posición de apagado.

La sierra debe funcionar a toda velocidad ANTES de comenzar el corte y se debe apagar únicamente DESPUES que se haya terminado el corte. Para aumentar la vida del interruptor, no apague y encienda el interruptor mientras esté cortando.

### Todos los cortes

**⚠ ADVERTENCIA** Asegúrese siempre de que las manos no interfieran con el movimiento libre del protector inferior.

**⚠ ADVERTENCIA** Después de completar un corte y haber soltado el gatillo, tenga en cuenta el tiempo que se necesita para que la hoja se detenga por completo durante la desaceleración con movimiento por inercia. No permita que la sierra le roce la pierna o el lado, ya que como el protector inferior es retráctil podría engancharse en la ropa y poner la hoja al descubierto. Tenga en cuenta los sitios en que la hoja está al descubierto por necesidad tanto

en las áreas del protector inferior como del superior.

Sujete siempre el mango de la sierra con una mano y el mango auxiliar o la caja protectora con la otra.

Asegúrese siempre de que la base suave descance sobre la parte de la superficie de trabajo que no vaya a caerse.

Agarre firmemente y accione el interruptor con una acción decidida. Nunca fuerce la sierra. Utilice una velocidad ligera y continua.

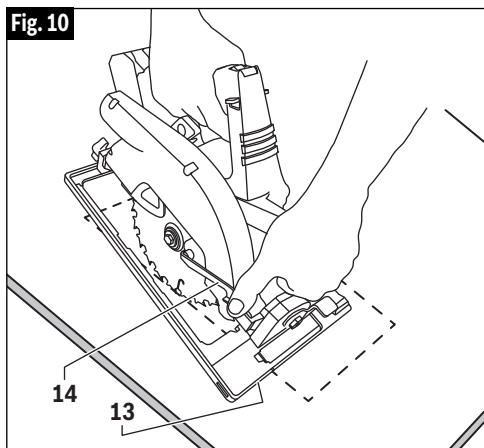
Cuando se interrumpe el corte, para seguir cortando: apriete el gatillo y deje que la hoja se ponga a toda velocidad, vuelva a entrar en el corte lentamente y siga cortando.

Cuando se corta a contrahilo, las fibras de la madera tienden a rasgarse y levantarse. El hacer que la sierra avance lentamente minimiza este efecto. Para un corte acabado se recomienda una hoja de corte transversal o una hoja de cortar a inglete.

### Cortes por penetración

**⚠ ADVERTENCIA** Ajuste la profundidad de corte al grosor de la pieza de trabajo. Menos de un diente completo de los dientes de la hoja debería ser visible debajo de la pieza de trabajo.

**⚠ ADVERTENCIA** El sistema de ajuste de profundidad no se deberá utilizar para cambiar la profundidad mientras la sierra esté en funcionamiento ni para cortar por inmersión. Si el ajuste de la hoja cambia mientras se realiza el corte, es posible que



## Instrucciones de funcionamiento

cause atoramiento y retroceso.

**⚠ ADVERTENCIA** Cuando la hoja comience a cortar el material, suelte el protector inferior inmediatamente. Cuando la base descansa horizontalmente sobre la superficie que se está cortando, siga cortando en dirección hacia adelante hasta el final del corte.

**⚠ ADVERTENCIA** Deje que la hoja se detenga por completo antes de sacar la sierra del corte. Además, nunca intente mover la sierra hacia atrás, ya que la hoja se saldrá del material y se producirá RETROCESO.

De la vuelta a la sierra y termine el corte de manera normal, aserrando hacia adelante. Si las esquinas del corte de bolsillo no están completamente cortadas, utilice una sierra de vaivén o una sierra de mano para terminar las esquinas.

Desconecte el paquete de baterías de la herramienta antes de realizar ajustes. Coloque el ajuste de profundidad de acuerdo con el material que va a cortar. Reinstale el paquete de baterías en la sierra. Incline la sierra hacia adelante con la muesca de la guía de corte alineada con la línea que usted ha trazado. Levante el protector inferior utilizando la palanca de elevación **14** y sujete la sierra con los mangos frontal y posterior (Fig. 10).

Con la hoja muy cerca del material que se va a cortar, pero sin tocarlo, arranque el motor. Baje gradualmente la parte posterior de la sierra utilizando el extremo frontal de la base **13** como punto de bisagra.

### Corte de planchas grandes

Las planchas grandes y los tableros largos se comban o se doblan según el apoyo. Si usted intenta cortar sin nivelar y sin apoyar la pieza adecuadamente, la hoja tenderá a atascarse, produciendo RETROCESO y una sobrecarga en el motor (Fig. 11).

Apoye el panel o el tablero cerca del corte, tal como se muestra en la (Fig. 12). Asegúrese de ajustar la profundidad de corte para cortar la plancha o el tablero solamente y no la mesa o el banco de trabajo. Las tablas de dos por cuatro pulgadas utilizadas para elevar y apoyar la pieza de trabajo deben colocarse de manera que los lados más anchos soporten la pieza de trabajo y descansen en la mesa o en

Fig. 11

INCORRECTO

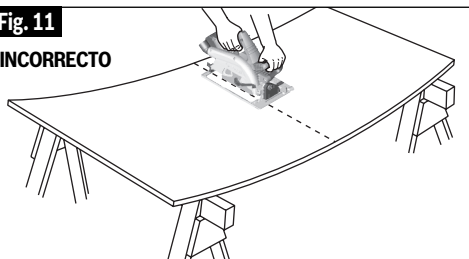
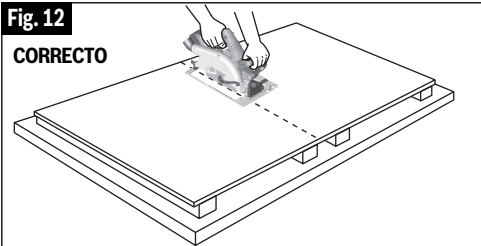


Fig. 12

CORRECTO



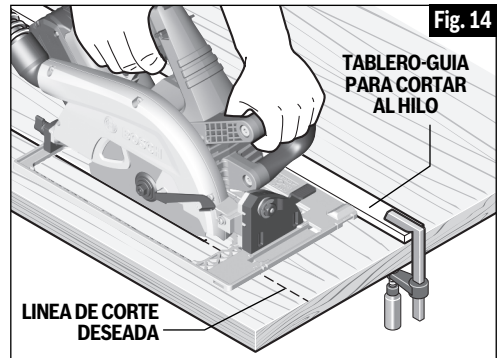
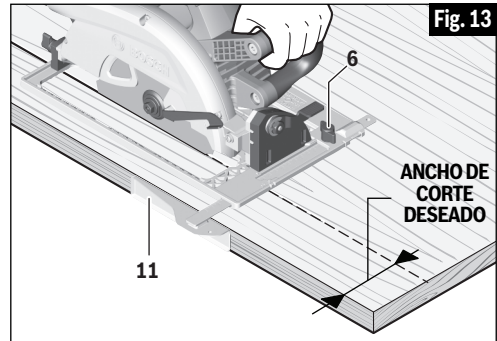
el banco. No apoye la pieza de trabajo en los lados estrechos, ya que esta disposición es inestable. Si la plancha o el tablero a cortar es demasiado grande para una mesa o un banco de trabajo, utilice los tablas de apoyo de dos por cuatro pulgadas sobre el suelo y fije la pieza de trabajo.

## Instrucciones de funcionamiento

### Cortes al hilo

**⚠ ADVERTENCIA** Después de instalar o ajustar el tope-guía para cortar al hilo, asegúrese de que dicho tope-guía no toque el protector inferior ni interfiera con el movimiento libre de dicho protector, y asegúrese también de que dicho tope-guía no entre en contacto con la hoja de sierra.

La hoja combinada suministrada con la sierra sirve tanto para cortes transversales como para cortes al hilo. El corte al hilo consiste en cortar a lo largo siguiendo la veta de la madera. Los cortes al hilo estrechos son fáciles de hacer con un tope-guía para cortar al hilo (Fig. 13). Para instalar el tope-guía para cortar al hilo opcional **11**, inserte dicho tope-guía a través de las ranuras ubicadas en el pie hasta la anchura deseada, de la manera que se muestra en la ilustración, y fíjelo con el pomo **6**.



### Tablero-guía para cortar al hilo

Cuando se cortan al hilo planchas grandes, puede que el tope-guía para cortar al hilo no permita el ancho de corte deseado. Sujete o clave una pieza recta de madera de 1" (25mm) a la plancha como guía (Fig. 14). Utilice el lado izquierdo de la base apoyándolo en la tablero-guía.

El mango auxiliar de la GKS18V-25GC está diseñado para permitir que se utilice como guía madera de construcción tan gruesa como 2x ("2 por").

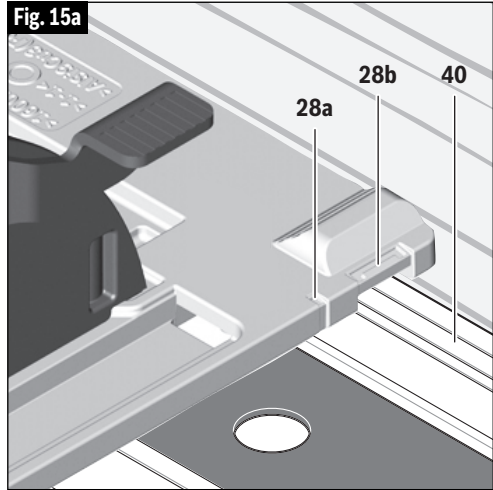
## Instrucciones de funcionamiento

### Aserrado de precisión con carril guía

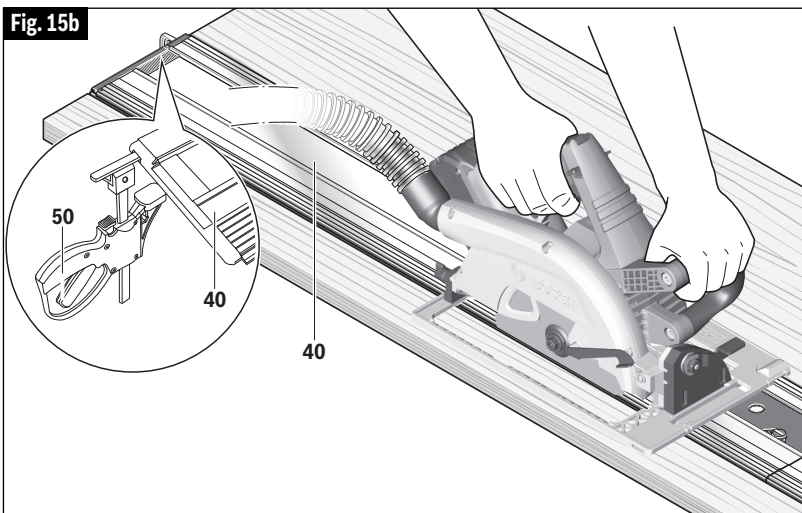
**⚠ ADVERTENCIA** El sistema de ajuste de la profundidad de corte no se deberá utilizar para cambiar la profundidad mientras la sierra esté en funcionamiento ni para cortar por inmersión. Si el ajuste de la hoja cambia mientras se realiza el corte, es posible que cause atoramiento y retroceso.

La GKS18V-25GC se puede utilizar con el sistema de carril guía Bosch para mejorar la rectitud del corte (Fig. 15b).

- Asegúrese de que el carril guía **40** esté preparado, posicionado y sujeto con abrazaderas de la manera que se muestra en la sección “Preparación del carril guía” que se encuentra en la página 78.
- Asegúrese de que la placa-base de la sierra esté colocada correctamente sobre el carril guía. Esto se logra cuando la ranura **28a** ubicada en la parte inferior de la sierra se coloca sobre el saliente elevado ubicado en los carriles guía Bosch (Fig. 15a). (La ranura **28b** encajará sobre algunos carriles guía de otros fabricantes, pero recomendamos que esta sierra se utilice únicamente con carriles guía de sierra Bosch.)

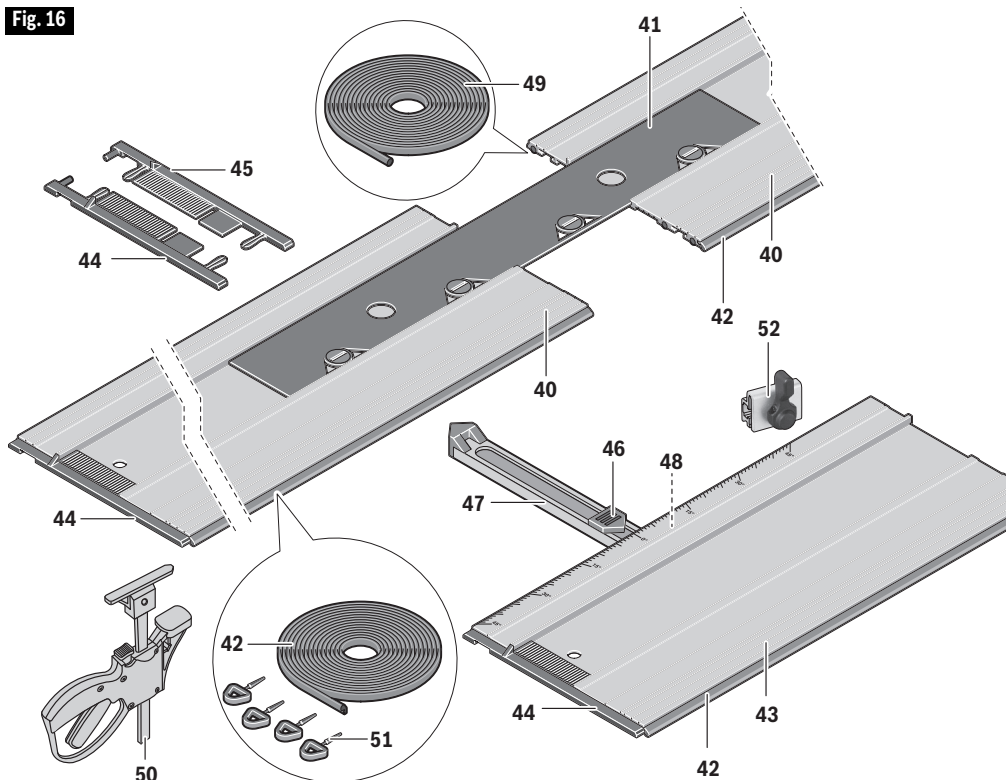


- Tenga cuidado adicional cuando coloque la sierra sobre la parte de un carril guía que sobresalga del borde de entrada o de salida de la pieza de trabajo.
- Antes de retirar la sierra del carril guía, suba el cabezal de la sierra y retraiga la hoja primer



## Familiarización con el sistema de carril guía

**Fig. 16**



- |                                   |                                      |
|-----------------------------------|--------------------------------------|
| 40 Carril guía                    | 47 Tope-guía                         |
| 41 Conector para carril guía      | 48 Pomo de fijación de inglete       |
| 42 Borde antiastillas             | 49 Franja de tracción                |
| 43 Guía de inglete                | 50 Abrazaderas para carril guía (x2) |
| 44 Tapa de extremo izquierda      | 51 Espigas                           |
| 45 Tapa de extremo derecha        | 52 Tope de recorrido                 |
| 46 Indicador de ángulo de inglete |                                      |

**El sistema de carril guía se vende por separado**

## Ensamblaje del carril guía

### ADAPTACIÓN DE LA PLACA-BASE A DIVERSOS CARRILES GUÍA

La GKS18V-25GC está diseñada específicamente para realizar cortes de precisión rectos mientras se utiliza un carril para guiarla.

Los carriles guía Bosch (vendidos por separado) están disponibles en cuatro tamaños:

FSN800	31.5 pulg. (800 mm)
FSN1100	43.3 pulg. (1100 mm)
FSN1600	63 pulg. (1600 mm)
FSN2100	82.7 pulg. (2100 mm)

### PREPARACIÓN DEL CARRIL GUÍA

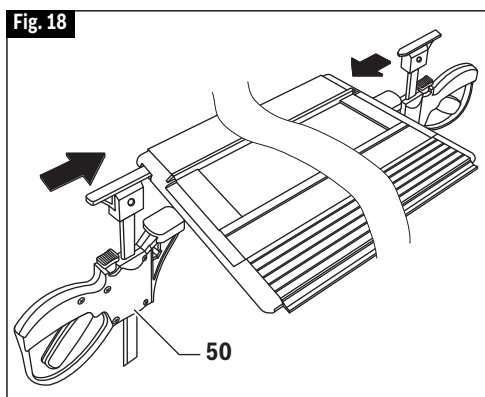
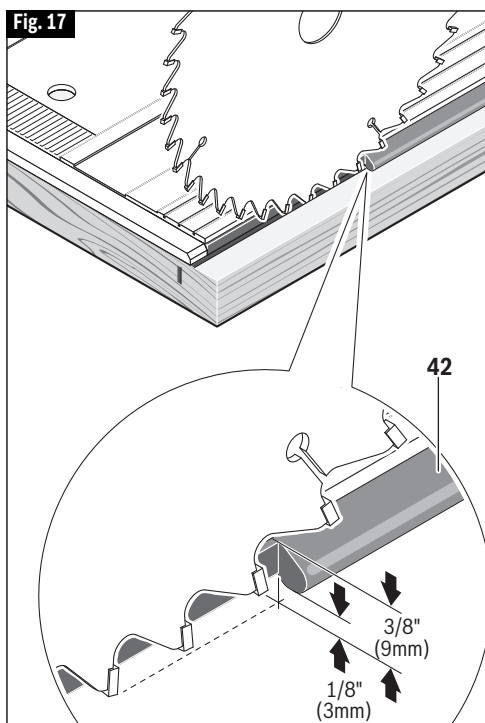
Antes de utilizar un carril guía por primera vez, el borde antiastillas de caucho **42** del carril guía se debe adaptar a la sierra específica y la hoja específica que se vayan a utilizar.

- Coloque la longitud completa del carril guía sobre una pieza de trabajo de desecho que tenga al menos 3/4 de pulgada (19 mm) de grosor.
- Fije firmemente los carriles guía tal y como se describe adicionalmente en "FIJACIÓN DE LOS CARRILES GUÍA".
- Coloque la sierra sobre los carriles guía.
- Ajuste la profundidad de corte de la sierra aproximadamente a 3/8 pulgadas (9 mm) y el ángulo de bisel a 0°. Esto hará que la hoja sobresalga 1/8 de pulgada (3 mm) por debajo del borde antiastillas (Fig. 17).
- Siguiendo las instrucciones de la sección "Interruptor" que se encuentra en la página 75, encienda la sierra y guíela uniformemente con una velocidad de avance lenta hasta el final del carril guía.

### FIJACIÓN DE LOS CARRILES GUÍA

**⚠ ADVERTENCIA** Para evitar el riesgo de lesiones y / o daños materiales, utilice únicamente las abrazaderas para carril guía para sujetar firmemente dicho carril.

Una vez que el carril guía haya sido colocado en la posición deseada, inserte una abrazadera para carril guía **50** desde cada extremo del carril guía y luego apriete las abrazaderas contra la pieza de trabajo (Fig. 18).



### TAPAS DE EXTREMO PROTECTORAS

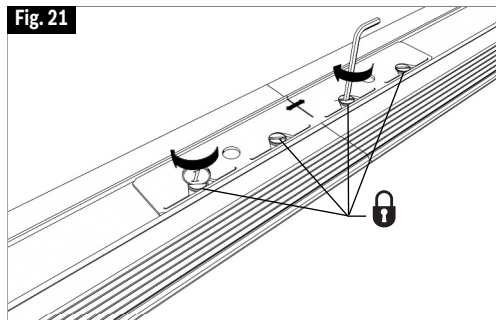
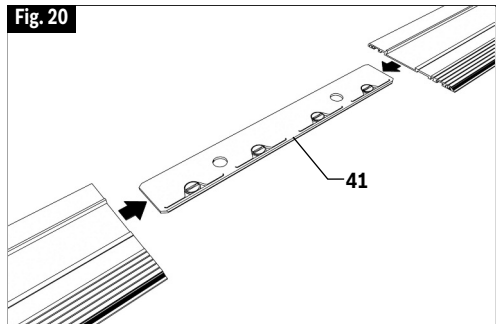
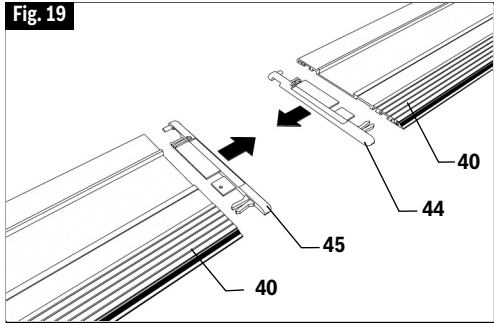
Estas tapas ayudan a proteger los extremos de los carriles guía contra los daños, por ejemplo cuando se caen sobre sus extremos (Fig. 19). Las tapas izquierda **44** y derecha **45** NO son intercambiables. Si una o ambas tapas de extremo resultan dañadas, simplemente deberán ser reemplazadas.



## Ensamblaje del carril guía

### CONEXIÓN DE MÚLTIPLES CARRILES GUÍA

- A. Jale hacia fuera las tapas de extremo **44** y **45** desde los extremos que se enfrentan de los carriles guía **40** que se vayan a conectar. Almacene las tapas de extremo en un lugar seguro (Fig. 19).
- B. Inserte el conector **41** en uno de los carriles guía **40** de la manera que se muestra en la ilustración y luego deslice otro carril guía sobre el otro extremo del conector (Fig. 20).
- C. Asegúrese de que los carriles guía no tengan holguras entre ellos. Mueva el conector **41** de manera que la marca central “ $\Leftarrow| \Rightarrow$ ” esté posicionada en la línea de unión. Gire los cuatro cierres con un destornillador o una moneda para fijar la conexión (Fig. 21).



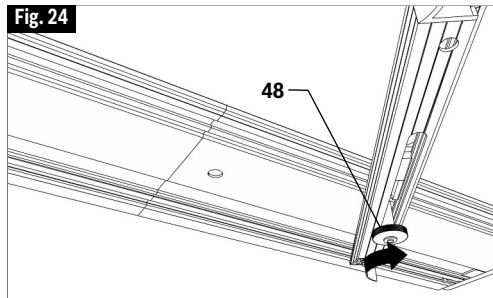
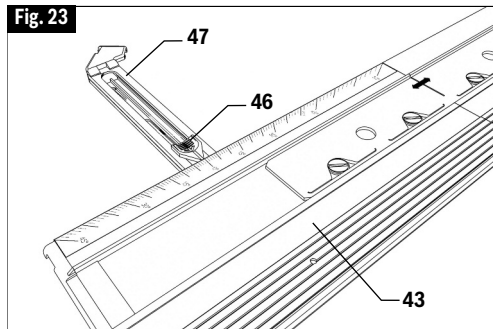
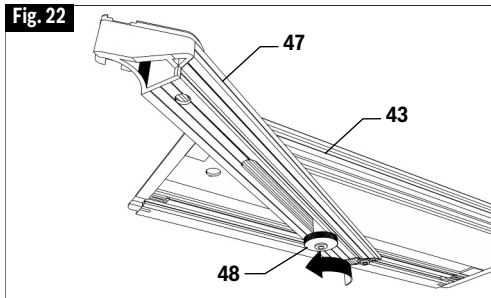
## Ensamblaje del carril guía

### GUÍA DE INGLETE

La guía de inglete **43** (vendida por separado) se puede utilizar para posicionar con precisión un carril guía desde 60° a la izquierda hasta 45° a la derecha.

La guía de inglete se debe posicionar en el extremo delantero del carril guía.

- A. Afloje el pomo **48** ubicado en la parte inferior de la guía de inglete (Fig. 22).
- B. Siga las instrucciones indicadas en “Conexión de múltiples carriles guía” para fijar la guía de inglete al carril guía deseado utilizando el conector **41**.
- C. Utilice el tope-guía **47** para ajustar el ángulo deseado. A medida que se mueve el tope-guía, el indicador **46** muestra el ángulo (Fig. 23).
- D. Una vez que se haya ajustado el ángulo, apriete el pomo **48** ubicado en la parte inferior de la guía de inglete para mantenerla en ese ángulo (Fig. 24).
- E. Posicione el tope-guía y el carril guía conectado de manera que el tope-guía descansa contra la pieza de trabajo.
- F. Una vez que la guía de inglete y el carril guía conectado se hayan posicionado de la manera deseada, fije en la posición correcta la guía de inglete y el carril guía conectado (consulte “Fijación de los carriles guía”).

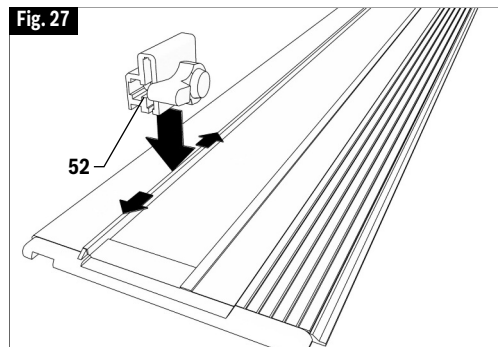
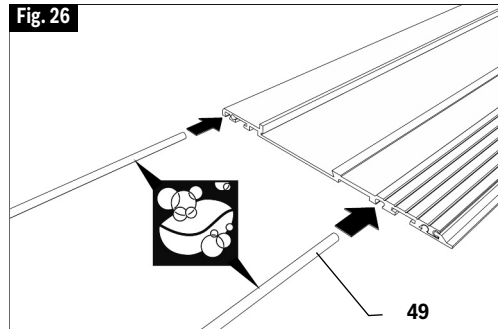
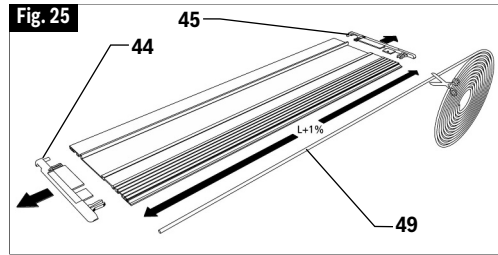


## Ensamblaje del carril guía

### FRANJAS DE TRACCIÓN

Es importante que las dos franjas tipo caucho ubicadas en la parte inferior de los carriles guía mantengan su capacidad para minimizar la posibilidad de que dichos carriles se muevan durante un corte. Si una o ambas franjas se desgastan, deberán ser reemplazadas. El rollo de franja de tracción mide 11 pies (3,35 m) de largo.

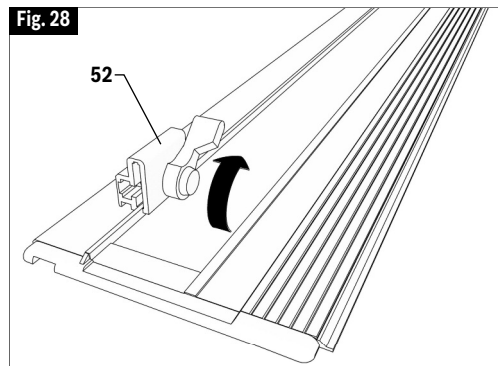
- Jale hacia fuera ambas tapas de extremo **44** y **45** retire las franjas desgastadas (Fig. 25).
- Desenrolle y corte dos tramos de franja de tracción **49** que sean un 1% más largos que la longitud del carril guía. P. ej., para el FSN800, la longitud del carril guía deberá ser de 80,8 cm/31,8 pulgadas (Fig. 25).
- Ponga un ligero recubrimiento de jabón sobre la franja nueva para hacer que se deslice más fácilmente hacia el interior de las ranuras ubicadas en el lado inferior de los carriles guía. Jale la franja a través de la ranura hasta el extremo alejado del carril guía. Corte y retire las franjas que sobren (Fig. 26).
- Reinserte ambas tapas de extremo **44** y **45**.



### TOPE DE RECORRIDO PARA EL CARRIL GUÍA

El tope de recorrido **52** (vendido por separado) se puede utilizar para limitar el intervalo de recorrido (distancia de corte) de la sierra sobre un carril guía. El tope se puede usar para ayudar a ajustar la ubicación de inicio del corte por inmersión o el punto final del corte.

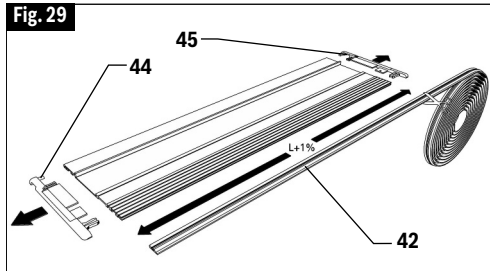
- Alinee el carril guía a lo largo de la línea de corte prevista y fíjelo con abrazaderas en la posición correcta tal y como se describe en "Fijación de los carriles guía" en la página 80.
- Oriente el tope sobre el carril guía de la manera que se muestra en la ilustración (Fig. 27).
- Determine el punto de inicio o el punto final deseado para el corte.
- Posicione la sierra de manera que se asiente en la posición correcta donde se supone que el corte por inmersión empezará o acabará.



## Ensamblaje del carril guía

- E. Una vez que la sierra esté colocada en la ubicación deseada, apriete el tope **52** en la posición correcta utilizando su palanca (Fig. 28).

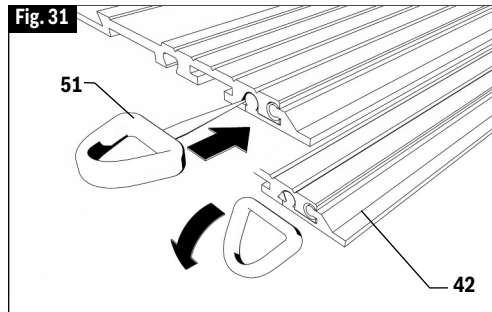
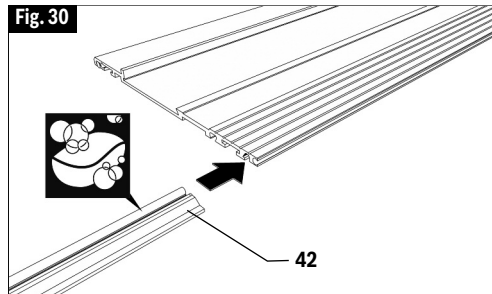
Mueva la sierra hacia delante para continuar el corte hasta el punto final deseado. Cuando se alcance el punto final deseado, jale el cabezal de la sierra hacia arriba y se retraerá hasta la posición de comienzo, y el mecanismo de inmersión quedará bloqueado de nuevo.



### BORDE ANTIASBILLAS

Para minimizar el astillamiento de la pieza de trabajo, si un borde está desgastado deberá ser reemplazado. El borde antiastillas viene en un rollo que mide 11 pies (3,35 m) de largo y se puede cortar con el tamaño deseado para cualquier carril guía dado.

- A. Jale hacia fuera ambas tapas de extremo **44** y **45** y retire el borde antiastillas desgastado (Fig. 29).
- B. Desenrolle y corte un tramo del borde antiastillas **42** que sea un 1 % más largo que la longitud del carril guía. P. ej., para el FSN800 la longitud de la franja deberá ser de 80,8 cm/31,8 pulgadas (Fig. 29).
- C. Ponga un ligero recubrimiento de jabón sobre la franja nueva para hacer que se deslice más fácilmente por el interior de las ranuras ubicadas en el lado inferior del carril guía (Fig. 30).
- D. Jale el borde a través de la ranura hasta el extremo alejado del carril guía. Corte y retire las franjas que sobren. Para ayudar a evitar que la franja antiastillas se mueva, presione una de las espigas **51** hacia el interior del carril guía junto a la franja en cada extremo. Doble el mango de la espiga hacia abajo para romper dicho mango (Fig. 31).
- E. Reinserte las tapas de extremo **44** y **45**.
- F. Consulte la sección "Preparación del carril guía" en la página 80 acerca de adaptar el borde antiastillas a una sierra y una hoja dadas.



### BOLSA DE TRANSPORTE

La robusta bolsa acepta dos carriles guía FSN1600 (o más cortos) y tiene un bolsillo para un conector y/o un par de abrazaderas rápidas para carril guía.

## Mantenimiento

**⚠ ADVERTENCIA** Para evitar accidentes desconecte el paquete de batería de la herramienta antes de la limpieza o de la realización de cualquier mantenimiento.

### Servicio

**⚠ ADVERTENCIA** NO HAY PIEZAS EN EL INTERIOR QUE PUEDAN SER AJUSTADAS O REPARADAS POR EL USUARIO. El mantenimiento preventivo realizado por personal no autorizado puede dar lugar a la colocación incorrecta de cables y componentes internos que podría constituir un peligro serio. Recomendamos que todo el servicio de las herramientas sea realizado en un Centro de servicio de fábrica Bosch o en una Estación de servicio Bosch autorizada.

### Baterías

Esté alerta a los paquetes de baterías que estén aproximándose al final de su vida útil. Si observa una disminución del rendimiento de la herramienta o un tiempo de funcionamiento significativamente más corto entre cargas, entonces ha llegado el momento de cambiar el paquete de baterías. Si no se hace esto, el resultado puede ser que la herramienta funcione incorrectamente o que el cargador se dañe.

### Lubricación de las herramientas

Su herramienta Bosch ha sido lubricada adecuadamente y está lista para la utilización.

### Motores “Corriente Directa”

El motor de la herramienta ha sido diseñado para muchas horas de servicio fiable. Para mantener un rendimiento óptimo del motor, recomendamos que éste sea examinado cada seis meses. Sólo se debe usar un motor de repuesto Bosch genuino diseñado especialmente para la herramienta.

### Rodamientos

Los rodamientos que se vuelven ruidosos (debido a la pesada carga o al corte de materiales muy abrasivos) deben ser sustituidos inmediatamente para evitar el

sobrecalentamiento y el fallo del motor.

### Limpieza

**⚠ PRECAUCIÓN** Ciertos agentes de limpieza y disolventes dañan las piezas de plástico. Algunos de estos son: gasolina, tetracloruro de carbono, disolventes de limpieza clorados, amoníaco y detergentes domésticos que contienen amoníaco.

Las aberturas de ventilación y las palancas de interruptor deben mantenerse limpias y libres de materias extrañas. No intente limpiar introduciendo objetos puntiagudos a través de las aberturas.

**Desarrolle un programa de mantenimiento periódico de la herramienta. Cuando limpie una herramienta, tenga cuidado de no desmontar ninguna de sus partes, ya que los cables internos podrían reubicarse incorrectamente o pellizcarse, o los resortes de retorno de los protectores de seguridad podrían montarse incorrectamente.** Ciertos agentes de limpieza, tales como gasolina, tetracloruro de carbono, amoníaco, etc., podrían dañar las piezas de plástico.

### Cuidado de las hojas

Las hojas se desafilan incluso al cortar madera normal. Si usted tiene que forzar la sierra hacia adelante para que corte, en vez de simplemente guiarla a través del corte, lo más probable es que la hoja esté desafilada o cubierta de resina de madera.

Quando limpie la hoja para eliminar la goma y la resina de madera, saque la batería de la sierra y retire la hoja. Recuerde, las hojas están diseñadas para cortar, así que manipúlelas cuidadosamente. Limpie la hoja con queroseno o con un disolvente similar para eliminar la goma y la resina. A menos que usted tenga experiencia en afilar hojas, le recomendamos que no lo intente de trabajo.

## Aditamentos y accesorios

**⚠ ADVERTENCIA** Es posible que el uso de cualquier otro aditamento o accesorio no especificado en este manual cree un peligro.

Almacene los accesorios en un ambiente seco y templado para evitar la corrosión y el deterioro.

Bosch No.	Descripción	Se incluye(n)	Se vende(n) por separado
<b>Accesorios</b>			
CBCL724	Hoja de carburo de 7-1/4 pulg. (184 mm) con 24 dientes para separación de corte estrecha	●	●
<b>Aditamentos</b>			
2610041761	Bolsa de transporte	●	●
GKSRIP	Tope-guía para cortar al hilo	–	●
160541101V	Bolsa colectora de polvo	–	●
Varios	Mangueras de aspiración	–	●
VAC024	Adaptador de manguera de aspiración para mangueras de 1-1/4 y 1-1/2 pulgadas	–	●
VAC020	Adaptador de manguera de aspiración para mangueras de 2-1/2 pulgadas	–	●
GCY42	Módulo de conectividad	–	●
FSN...	Carriles guía	–	●
FSNKK	Abrazaderas para carril guía	–	●
FSNVEL	Abrazaderas para carril guía	–	●
FSNWAN	Guía de ingletes para carril guía	–	●
FSNRS	Tope del recorrido para carril guía	–	●
FSNSS	Borde antiastillas	–	●
FSNHB	Franja de tracción	–	●
FSNBAG	Bolsa de transporte	–	●

## Notes / Remarques / Notas

This page was intentionally left blank  
Cette page a été laissée vierge intentionnellement.  
Esta página se dejó intencionalmente en blanco

**LIMITED WARRANTY OF BOSCH PORTABLE AND BENCHTOP POWER TOOLS**

Robert Bosch Tool Corporation ("Seller") warrants to the original purchaser only, that all BOSCH portable and benchtop power tools will be free from defects in material or workmanship for a period of one year from date of purchase. SELLER'S SOLE OBLIGATION AND YOUR EXCLUSIVE REMEDY under this Limited Warranty and, to the extent permitted by law, any warranty or condition implied by law, shall be the repair or replacement of parts, without charge, which are defective in material or workmanship and which have not been misused, carelessly handled, or misrepaired by persons other than Seller or Authorized Service Station. To make a claim under this Limited Warranty, you must return the complete portable or benchtop power tool product, transportation prepaid, to any BOSCH Factory Service Center or Authorized Service Station. For Authorized BOSCH Power Tool Service Stations, please refer to your phone directory.

THIS LIMITED WARRANTY DOES NOT APPLY TO ACCESSORY ITEMS SUCH AS CIRCULAR SAW BLADES, DRILL BITS, ROUTER BITS, JIGSAW BLADES, SANDING BELTS, GRINDING WHEELS AND OTHER RELATED ITEMS.

ANY IMPLIED WARRANTIES SHALL BE LIMITED IN DURATION TO ONE YEAR FROM DATE OF PURCHASE. SOME STATES IN THE U.S., SOME CANADIAN PROVINCES DO NOT ALLOW LIMITATIONS ON HOW LONG AN IMPLIED WARRANTY LASTS, SO THE ABOVE LIMITATION MAY NOT APPLY TO YOU.

IN NO EVENT SHALL SELLER BE LIABLE FOR ANY INCIDENTAL OR CONSEQUENTIAL DAMAGES (INCLUDING BUT NOT LIMITED TO LIABILITY FOR LOSS OF PROFITS) ARISING FROM THE SALE OR USE OF THIS PRODUCT. SOME STATES IN THE U.S. AND SOME CANADIAN PROVINCES DO NOT ALLOW THE EXCLUSION OR LIMITATION OF INCIDENTAL OR CONSEQUENTIAL DAMAGES, SO THE ABOVE LIMITATION OR EXCLUSION MAY NOT APPLY TO YOU.

THIS LIMITED WARRANTY GIVES YOU SPECIFIC LEGAL RIGHTS, AND YOU MAY ALSO HAVE OTHER RIGHTS WHICH VARY FROM STATE TO STATE IN THE U.S., PROVINCE TO PROVINCE IN CANADA AND FROM COUNTRY TO COUNTRY.

THIS LIMITED WARRANTY APPLIES ONLY TO PORTABLE AND BENCHTOP ELECTRIC TOOLS SOLD WITHIN THE UNITED STATES OF AMERICA, CANADA AND THE COMMONWEALTH OF PUERTO RICO. FOR WARRANTY COVERAGE WITHIN OTHER COUNTRIES, CONTACT YOUR LOCAL BOSCH DEALER OR IMPORTER.

**GARANTIE LIMITÉE DES OUTILS ÉLECTRIQUES PORTATIFS ET D'ÉTABLI BOSCH**

Robert Bosch Tool Corporation (le « vendeur ») garantit à l'acheteur initial seulement que tous les outils électriques portatifs et d'établi BOSCH seront exempts de vices de matériaux ou d'exécution pendant une période d'un an depuis la date d'achat. LA SEULE OBLIGATION DU VENDEUR ET LE SEUL RECOURS DE L'ACHETEUR sous la présente garantie limitée, et en autant que la loi le permette sous toute garantie ou condition implicite qui en découlerait, sera l'obligation de remplacer ou réparer gratuitement les pièces défectueuses matériellement ou comme fabrication, pourvu que lesdites défectuosités ne soient pas attribuables à un usage abusif ou à quelque réparation bricolée par quelqu'un d'autre que le vendeur ou le personnel d'une station-service agréée. Pour présenter une réclamation en vertu de cette garantie limitée, vous devez renvoyer l'outil électrique portatif ou d'établi complet, port payé, à tout centre de service agréé ou centre de service usine. Veuillez consulter votre annuaire téléphonique pour les adresses.

LA PRÉSENTE GARANTIE NE S'APPLIQUE PAS AUX ACCESSOIRES TELS QUE LAMES DE SCIES CIRCULAIRES, MÊCHES DE PERCEUSES, FERS DE TOUPIES, LAMES DE SCIES SAUTEUSES, COURROIES DE PONÇAGE, MEULES ET AUTRES ARTICLES DU GENRE.

TOUTE GARANTIE IMPLICITE SERA LIMITÉE COMME DURÉE À UN AN À COMPTER DE LA DATE D'ACHAT. CERTAINS ÉTATS AMÉRICAINS, CERTAINES PROVINCES CANADIENNES N'ADMETTANT PAS LE PRINCIPE DE LA LIMITATION DE LA DURÉE DES GARANTIES IMPLICITES, IL EST POSSIBLE QUE LES LIMITATIONS CI-DESSUS NE S'APPLIQUENT PAS À VOTRE CAS.

EN AUCUN CAS LE VENDEUR NE SAURAIT ÊTRE TENU POUR RESPONSABLE DES INCIDENTS OU DOMMAGES INDIRECTS (INCLUANT, MAIS NE SE LIMITANT PAS AUX PERTES DE PROFITS) CONSÉCUTIFS À LA VENTE OU L'USAGE DE CE PRODUIT. CERTAINS ÉTATS AMÉRICAINS ET CERTAINES PROVINCES CANADIENNES N'ADMETTANT PAS LE PRINCIPE DE LA LIMITATION NI L'EXCLUSION NI L'EXCLUSION DES DOMMAGES INDIRECTS ET CONSÉQUENTIELS, IL EST POSSIBLE QUE LES LIMITATIONS OU EXCLUSIONS CI-DESSUS NE S'APPLIQUENT PAS À VOTRE CAS.

LA PRÉSENTE GARANTIE VOUS ACCORDE DES DROITS BIEN DÉTERMINÉS, Y COMPRIS POSSIBLEMENT CERTAINS DROITS VARIABLES DANS LES DIFFÉRENTS ÉTATS AMÉRICAINS, PROVINCES CANADIENNE ET DE PAYS À PAYS.

CETTE GARANTIE LIMITÉE NE S'APPLIQUE QU'AUX OUTILS ÉLECTRIQUES PORTATIFS ET D'ÉTABLI VENDUS AUX ÉTATS-UNIS D'AMÉRIQUE, AU CANADA ET AU COMMONWEALTH DE PORTO RICO. POUR COUVERTURE DE GARANTIE DANS LES AUTRES PAYS, CONTACTEZ VOTRE IMPORTATEUR OU REVENDEUR BOSCH LOCAL.

**GARANTIA LIMITADA PARA HERRAMIENTAS MECANICAS PORTATILES Y PARA TABLERO DE BANCO BOSCH**

Robert Bosch Tool Corporation ("el Vendedor") garantiza, únicamente al comprador original, que todas las herramientas mecánicas portátiles y para tablero de banco BOSCH estarán libres de defectos de material o de fabricación durante un periodo de un año a partir de la fecha de compra. LA ÚNICA OBLIGACION DEL VENDEADOR Y EL RECURSO EXCLUSIVO QUE USTED TIENE bajo esta Garantía Limitada y, hasta donde la ley lo permita, bajo cualquier garantía o condición implícita por ley, consistirá en la reparación o sustitución sin costo de las piezas que presenten defectos de material o de fabricación y que no hayan sido utilizadas incorrectamente, manejadas descuidadamente o reparadas incorrectamente por personas que no sean el Vendedor o una Estación de servicio autorizada. Para efectuar una reclamación bajo esta Garantía Limitada, usted debe devolver el producto, que consiste en la herramienta mecánica portátil o para tablero de banco completa, con el transporte pagado, a cualquier Centro de servicio de fábrica o Estación de servicio autorizada. Para Estaciones de servicio autorizadas de herramientas mecánicas BOSCH, por favor, consulte el directorio telefónico.

ESTA GARANTIA LIMITADA NO SE APLICA A ARTICULOS ACCESORIOS TALES COMO HOJAS PARA SIERRAS CIRCULARES, BROCAS PARA TALADROS, BROCAS PARA FRESADORAS, HOJAS PARA SIERRAS DE VAIVEN, CORREAS PARA LIJAR, RUEDAS DE AMOLAR Y OTROS ARTICULOS RELACIONADOS.

TODAS LAS GARANTIAS IMPLICITAS TENDRAN UNA DURACION LIMITADA A UN AÑO A PARTIR DE LA FECHA DE COMPRA. ALGUNOS ESTADOS DE LOS EE.UU. Y ALGUNAS PROVINCIAS CANADIENSES NO PERMITEN LIMITACIONES EN CUANTO A LA DURACION DE UNA GARANTIA IMPLICITA, POR LO QUE ES POSIBLE QUE LA LIMITACION ANTERIOR NO SEA APLICABLE EN EL CASO DE USTED.

EL VENDEADOR NO SERA RESPONSABLE EN NINGUN CASO DE NINGUN DAÑO INCIDENTAL O EMERGENTE (INCLUYENDO PERO NO LIMITADO A RESPONSABILIDAD POR PERDIDA DE BENEFICIOS) QUE SE PRODUZCA COMO CONSECUENCIA DE LA VENTA O UTILIZACION DE ESTE PRODUCTO. ALGUNOS ESTADOS DE LOS EE.UU. Y ALGUNAS PROVINCIAS CANADIENSES NO PERMITEN LA EXCLUSION O LIMITACION DE LOS DAÑOS INCIDENTALES O EMERGENTES, POR LO QUE ES POSIBLE QUE LA LIMITACION O EXCLUSION ANTERIOR NO SEA APLICABLE EN EL CASO DE USTED.

ESTA GARANTIA LIMITADA LE CONFIERE A USTED DERECHOS LEGALES ESPECIFICOS Y ES POSIBLE QUE USTED TAMBIEN TENGA OTROS DERECHOS QUE VARIAN DE ESTADO A ESTADO EN LOS EE.UU., DE PROVINCIA A PROVINCIA EN CANADA Y DE UN PAIS A OTRO.

ESTA GARANTIA LIMITADA SE APLICA SOLAMENTE A HERRAMIENTAS ELECTRICAS PORTATILES Y PARA TABLERO DE BANCO VENDIDAS EN LOS ESTADOS UNIDOS DE AMERICA, CANADA Y EL ESTADO LIBRE ASOCIADO DE PUERTO RICO. PARA COBERTURA DE GARANTIA EN OTROS PAISES, PONGASE EN CONTACTO CON SU DISTRIBUIDOR O IMPORTADOR LOCAL DE BOSCH.

© Robert Bosch Tool Corporation 1800 W. Central Road Mt. Prospect, IL 60056-2230

Exportado por: Robert Bosch Tool Corporation Mt. Prospect, IL 60056-2230, E.U.A.

Importado en México por: Robert Bosch, S.A. de C.V., Calle Robert Bosch No. 405, Zona Industrial,

Toluca, Edo. de México, C.P. 50070, Tel. (722) 2792300



1 6 0 0 A 0 1 U V 3

1600A01UV3 04/20