

IMPORTANT
Read Before Using

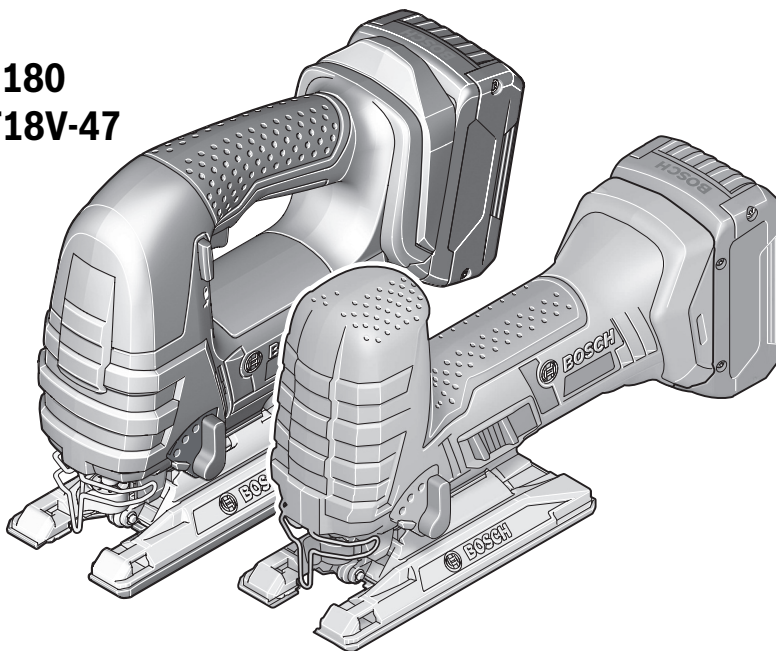
IMPORTANT
Lire avant usage

IMPORTANTE
Leer antes de usar



Operating / Safety Instructions
Consignes d'utilisation/de sécurité
Instrucciones de funcionamiento y seguridad

JSH180
GST18V-47



BOSCH

Call Toll Free for Consumer Information and Service Locations

Pour obtenir des informations et les adresses de nos centres de service après-vente, appelez ce numéro gratuit

Llame gratis para obtener información para el consumidor y ubicaciones de servicio

1-877-BOSCH99 (1-877-267-2499) www.boschtools.com





For English Version
See page 2

Version française
Voir page 18

Versión en español
Ver la página 36

Safety Symbols

The definitions below describe the level of severity for each signal word. Please read the manual and pay attention to these symbols.

| | |
|---|--|
|  | This is the safety alert symbol. It is used to alert you to potential personal injury hazards. Obey all safety messages that follow this symbol to avoid possible injury or death. |
|  | DANGER indicates a hazardous situation which, if not avoided, will result in death or serious injury. |
|  | WARNING indicates a hazardous situation which, if not avoided, could result in death or serious injury. |
|  | CAUTION indicates a hazardous situation which, if not avoided, could result in minor or moderate injury. |

General Power Tool Safety Warnings

WARNING Read all safety warnings, instructions, illustrations and specifications provided with this power tool. Failure to follow all instructions listed below may result in electric shock, fire and/or serious injury.

SAVE ALL WARNINGS AND INSTRUCTIONS FOR FUTURE REFERENCE

The term “power tool” in the warnings refers to your mains-operated (corded) power tool or battery-operated (cordless) power tool.

1. Work area safety

- Keep work area clean and well lit.** Cluttered or dark areas invite accidents.
- Do not operate power tools in explosive atmospheres, such as in the presence of flammable liquids, gases or dust.** Power tools create sparks which may ignite the dust or fumes.
- Keep children and bystanders away while operating a power tool.** Distractions can cause you to lose control.

2. Electrical safety

- Power tool plugs must match the outlet. Never modify the plug in any way. Do not use any adapter plugs with earthed (grounded) power tools.** Unmodified plugs and matching outlets will reduce risk of electric shock.
- Avoid body contact with earthed or grounded surfaces, such as pipes, radiators, ranges and refrigerators.** There is an increased risk of electric shock if your body is earthed or grounded.
- Do not expose power tools to rain or wet**

conditions. Water entering a power tool will increase the risk of electric shock.

- Do not abuse the cord. Never use the cord for carrying, pulling or unplugging the power tool. Keep cord away from heat, oil, sharp edges or moving parts.** Damaged or entangled cords increase the risk of electric shock.
- When operating a power tool outdoors, use an extension cord suitable for outdoor use.** Use of a cord suitable for outdoor use reduces the risk of electric shock.
- If operating a power tool in a damp location is unavoidable, use a Ground Fault Circuit Interrupter (GFCI) protected supply.** Use of an GFCI reduces the risk of electric shock.

3. Personal safety

- Stay alert, watch what you are doing and use common sense when operating a power tool. Do not use a power tool while you are tired or under the influence of drugs, alcohol or medication.** A moment of inattention while operating power tools may result in serious personal injury.

General Power Tool Safety Warnings

- b. **Use personal protective equipment. Always wear eye protection.** Protective equipment such as dust mask, non-skid safety shoes, hard hat, or hearing protection used for appropriate conditions will reduce personal injuries.
 - c. **Prevent unintentional starting. Ensure the switch is in the off-position before connecting to power source and / or battery pack, picking up or carrying the tool.** Carrying power tools with your finger on the switch or energizing power tools that have the switch on invites accidents.
 - d. **Remove any adjusting key or wrench before turning the power tool on.** A wrench or a key left attached to a rotating part of the power tool may result in personal injury.
 - e. **Do not overreach. Keep proper footing and balance at all times.** This enables better control of the power tool in unexpected situations.
 - f. **Dress properly. Do not wear loose clothing or jewelry. Keep your hair, clothing and gloves away from moving parts.** Loose clothes, jewelry or long hair can be caught in moving parts.
 - g. **If devices are provided for the connection of dust extraction and collection facilities, ensure these are connected and properly used.** Use of dust collection can reduce dust-related hazards.
 - h. **Do not let familiarity gained from frequent use of tools allow you to become complacent and ignore tool safety principles.** A careless action can cause severe injury within a fraction of a second.
- before making any adjustments, changing accessories, or storing power tools.** Such preventive safety measures reduce the risk of starting the power tool accidentally.
- d. **Store idle power tools out of the reach of children and do not allow persons unfamiliar with the power tool or these instructions to operate the power tool.** Power tools are dangerous in the hands of untrained users.
 - e. **Maintain power tools and accessories. Check for misalignment or binding of moving parts, breakage of parts and any other condition that may affect the power tool's operation. If damaged, have the power tool repaired before use.** Many accidents are caused by poorly maintained power tools.
 - f. **Keep cutting tools sharp and clean.** Properly maintained cutting tools with sharp cutting edges are less likely to bind and are easier to control.
 - g. **Use the power tool, accessories and tool bits etc. in accordance with these instructions, taking into account the working conditions and the work to be performed.** Use of the power tool for operations different from those intended could result in a hazardous situation.
 - h. **Keep handles and grasping surfaces dry, clean and free from oil and grease.** Slippery handles and grasping surfaces do not allow for safe handling and control of the tool in unexpected situations.

4. Power tool use and care

- a. **Do not force the power tool. Use the correct power tool for your application.** The correct power tool will do the job better and safer at the rate for which it was designed.
- b. **Do not use the power tool if the switch does not turn it on and off.** Any power tool that cannot be controlled with the switch is dangerous and must be repaired.
- c. **Disconnect the plug from the power source and/or remove the battery pack, if detachable, from the power tool**

5. Battery tool use and care

- a. **Recharge only with the charger specified by the manufacturer.** A charger that is suitable for one type of battery pack may create a risk of fire when used with another battery pack.
- b. **Use power tools only with specifically designated battery packs.** Use of any other battery packs may create a risk of injury and fire.
- c. **When battery pack is not in use, keep it away from other metal objects like paper clips, coins, keys, nails, screws, or other small metal objects that can make a connection from one terminal to another.** Shorting the battery terminals together may cause burns or a fire.
- d. **Under abusive conditions, liquid may be ejected from the battery, avoid contact.**

General Power Tool Safety Warnings

If contact accidentally occurs, flush with water. If liquid contacts eyes, additionally seek medical help. Liquid ejected from the battery may cause irritation or burns.

- e. **Do not use a battery pack or tool that is damaged or modified.** Damaged or modified batteries may exhibit unpredictable behaviour resulting in fire, explosion or risk of injury.
- f. **Do not expose a battery pack or tool to fire or excessive temperature.** Exposure to fire or temperature above 265 °F may cause explosion.
- g. **Follow all charging instructions and do not charge the battery pack or tool outside the temperature range specified in the instructions.** Charging improperly

or at temperatures outside the specified range may damage the battery and increase the risk of fire.

6. Service

- a. **Have your power tool serviced by a qualified repair person using only identical replacement parts.** This will ensure that the safety of the power tool is maintained.
- b. **Never service damaged battery packs.** Service of battery packs should only be performed by the manufacturer or authorized service providers.

Safety Rules for Cordless Jig Saws

- a. **Hold the power tool by insulated gripping surfaces, when performing an operation where the cutting accessory may contact hidden wiring.** Cutting accessory contacting a "live" wire may make exposed metal parts of the power tool "live" and could give the operator an electric shock.
- b. **Use clamps or another practical way to secure and support the workpiece to a stable platform.** Holding the workpiece by hand or against your body leaves it unstable and may lead to loss of control.
- c. **Do not drill, fasten or break into existing walls or other blind areas where electrical wiring may exist.** If this situation is unavoidable, disconnect all fuses or circuit breakers feeding this worksite.
- d. **Disconnect battery pack from tool or place the switch in the locked or off position before making any assembly, adjustments or changing accessories.** Such preventive safety measures reduce the risk of starting the tool accidentally.
- e. **Never leave the trigger locked "ON". Before inserting the battery pack, check that the trigger lock is "OFF".** Accidental start-ups could cause injury.
- f. **Keep hands away from cutting area. Do not reach under the material being cut.** The proximity of the blade to your

hand is hidden from your sight.

- g. **Keep hands from between the gear housing and saw blade holder.** The reciprocating blade holder can pinch your fingers.
- h. **Do not use dull or damaged blades.** Bent blade can break easily or cause kickback.
- i. **Before starting to cut, turn tool "ON" and allow the blade to come to full speed.** Tool can chatter or vibrate if blade speed is too slow at beginning of cut and possibly kickback.
- j. **Secure material before cutting. Never hold it in your hand or across legs.** Small or thin material may flex or vibrate with the blade, causing loss of control.
- k. **Make certain all adjusting screws and the blade holder are tight before making a cut.** Loose adjusting screws and holders can cause the tool or blade to slip and loss of control may result.
- l. **When removing the blade from the tool avoid contact with skin and use proper protective gloves when grasping the blade or accessory.** Accessories may be hot after prolonged use.

Additional Safety Warnings

GFCI and personal protection devices like electrician's rubber gloves and footwear will further enhance your personal safety.

Keep handles dry, clean and free from oil and grease. Slippery hands cannot safely control the power tool.

Develop a periodic maintenance schedule for your tool. When cleaning a tool be careful not to disassemble any portion of the tool since internal wires may be misplaced or pinched or safety guard return springs may be improperly mounted. Certain cleaning agents such as gasoline, carbon tetrachloride, ammonia, etc. may damage plastic parts.

Ensure the switch is in the off position before inserting battery pack. Inserting the battery pack into power tools that have the switch on invites accidents.

⚠ WARNING





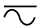


Some dust created by power sanding, sawing, grinding, drilling, and other construction activities contains chemicals known to cause cancer, birth defects or other reproductive harm. Some examples of these chemicals are:

- Lead from lead-based paints,
- Crystalline silica from bricks and cement and other masonry products, and
- Arsenic and chromium from chemically-treated lumber.

Your risk from these exposures varies, depending on how often you do this type of work. To reduce your exposure to these chemicals: work in a well ventilated area, and work with approved safety equipment, such as those dust masks that are specially designed to filter out microscopic particles.









Symbols

Important: Some of the following symbols may be used on your tool. Please study them and learn their meaning. Proper interpretation of these symbols will allow you to operate the tool better and safer.

| Symbol | Designation / Explanation |
|---|---|
| V | Volts (voltage) |
| Ah | Amp hour (measurement of battery capacity) |
| A | Amperes (current) |
| Hz | Hertz (frequency, cycles per second) |
| W | Watt (power) |
| kg | Kilograms (weight) |
| min | Minutes (time) |
| s | Seconds (time) |
| ∅ | Diameter (size of drill bits, grinding wheels, etc.) |
| n_0 | No load speed (rotational speed at no load) |
| n | Rated speed (maximum attainable speed) |
| .../min | Revolutions or reciprocation per minute (revolutions, strokes, surface speed, orbits etc. per minute) |
| 0 | Off position (zero speed, zero torque...) |
| 1, 2, 3, ... I, II, III, | Selector settings (speed, torque or position settings. Higher number means greater speed) |
|  | Infinitely variable selector with off (speed is increasing from 0 setting) |
|  | Arrow (action in the direction of arrow) |
|  | Alternating current (type or a characteristic of current) |
|  | Direct current (type or a characteristic of current) |
|  | Alternating or direct current (type or a characteristic of current) |
|  | Class II construction (designates double insulated construction tools) |
|  | Earthing terminal (grounding terminal) |

Symbols

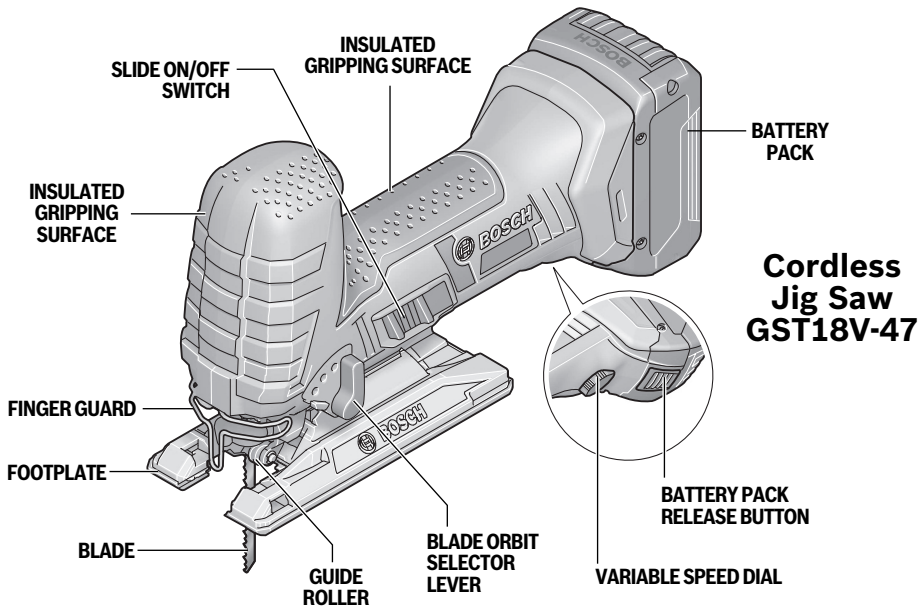
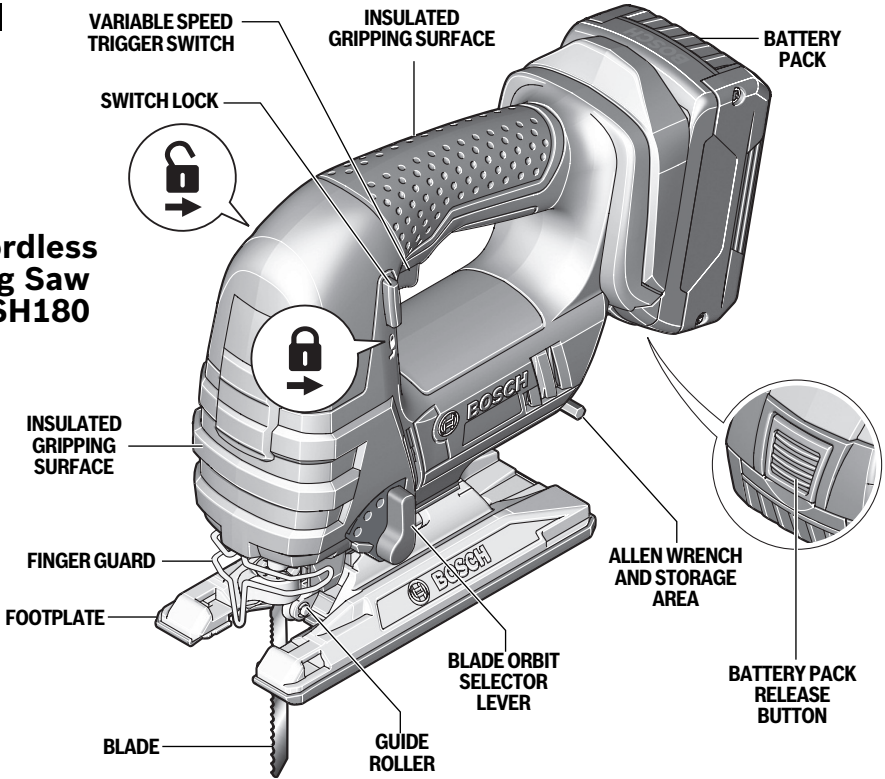
Important: Some of the following symbols may be used on your tool. Please study them and learn their meaning. Proper interpretation of these symbols will allow you to operate the tool better and safer.

| Symbol | Designation / Explanation |
|---|---|
|  | Alerts user to read manual |
|  | Alerts user to wear eye protection |
|  | This symbol designates that this tool is listed by Underwriters Laboratories. |
|  | This symbol designates that this component is recognized by Underwriters Laboratories. |
|  | This symbol designates that this tool is listed by Underwriters Laboratories, to United States and Canadian Standards. |
|  | This symbol designates that this tool is listed by the Canadian Standards Association. |
|  | This symbol designates that this tool is listed by the Canadian Standards Association, to United States and Canadian Standards. |
|  | This symbol designates that this tool is listed by the Intertek Testing Services, to United States and Canadian Standards. |
|  | This symbol designates that this tool complies to NOM Mexican Standards. |
|  | Designates Li-ion battery recycling program |
|  | Designates Ni-Cad battery recycling program |

Functional Description and Specifications

Fig. 1

Cordless Jig Saw JSH180



Functional Description and Specifications

| | | |
|-----------------------------|----------------------------|------------------------|
| Model Number | GST18V-47 | JSH180 |
| Voltage rating | 18 V ^{Li-Ion} | 18 V ^{Li-Ion} |
| No load speed | n_0 550–2,700/min | n_0 0–2,700/min |
| Maximum Capacities | | |
| Stroke length | 1" (25.4 mm) | 1" (25.4 mm) |
| Wood | 4-23/32" (120 mm) | 4-23/32" (120 mm) |
| Aluminum | 13/16" (20.5 mm) | 13/16" (20.5 mm) |
| Mild steel | 5/16" (8 mm) | 5/16" (8 mm) |
| Allowed ambient temperature | | |
| – during charging | 32...113 °F (0...+45 °C) | |
| – during operation | –4...122 °F (–20...+50 °C) | |
| – during storage | 32...122 °F (0...+50 °C) | |

Battery Packs/Chargers

Please refer to the battery/charger list, included with your tool.

Assembly

⚠ WARNING Disconnect battery pack from tool or place the switch in the locked or off position before making any assembly, adjustments or changing accessories. Such preventive safety measures reduce the risk of starting the tool accidentally.

Inserting and Releasing Battery Pack

Slide charged battery pack into the housing until the battery pack locks into position.

Your tool is equipped with a secondary locking latch to prevent the battery pack from completely falling out of the handle, should it become loose due to vibration.

To remove the battery pack, press the battery pack release button and slide the battery pack forward (Fig. 1).

Press the battery pack release button again and slide the battery pack completely out of tool housing.

Blade Installation And Removal

⚠ CAUTION To prevent damage, do not turn blade ejector lever when there is no blade in the blade clamp or when inserting the blade.

BLADE INSTALLATION

Insert the saw blade (teeth in cutting direction) into the slot in the blade clamp until the blade ejector lever rotates to the LEFT, indicating that the clamp has engaged. When inserting the saw blade, the back of the blade must rest in the groove of the guide roller (Fig. 2.)

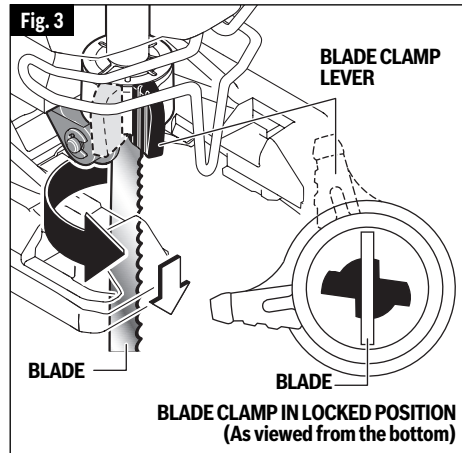
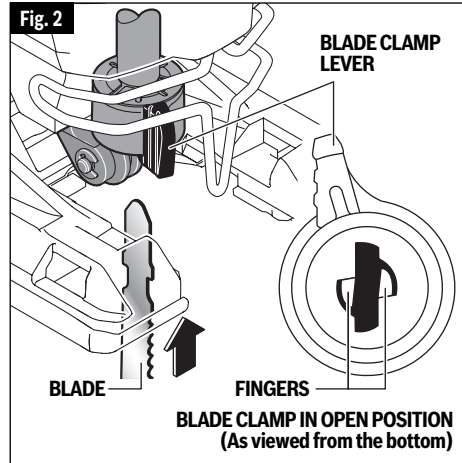
BLADE EJECTION

The tool should be held so that the blade is safely ejected. To remove the saw blade, rotate the blade ejector lever to the RIGHT to the center stop; this releases and ejects the saw blade (Fig. 3).

BLADE CLAMP RESET

There are two situations in which it is necessary to reset the blade clamp:

RESET Type A: If the blade ejection lever is rotated improperly, the “fingers” within the clamp may slip into the blade insert slot. To reset the clamp:



Step 1 – Using a screwdriver, push down on blade clamp fingers (as viewed from the bottom of the jig saw), until clamp can be rotated.

Step 2 – Rotate blade ejector lever to the RIGHT until it locks into place.

The clamp is now ready for use.

RESET Type B: If the two fingers inside the blade clamp accidentally get pushed too far into the plunger, they will prevent insertion of a blade. To bring the fingers back to their correction positions:

Step 1 – Turn the blade ejector lever to

Assembly

the RIGHT (as viewed from the bottom of the jig saw)

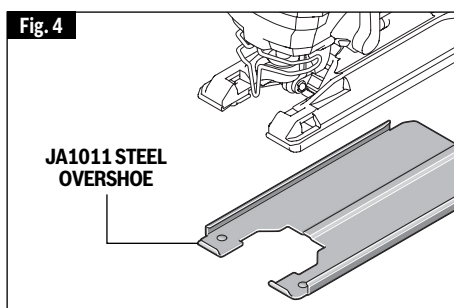
Step 2 – Continue the rotation until fingers will snap into the correct open position.

The clamp is now ready for use.

Attaching JA1011Steel Overshoe (Sold separately)

Your tool is equipped with a protective plastic overshoe that protects finer surfaces. An optional heavy-duty steel overshoe is sold separately.

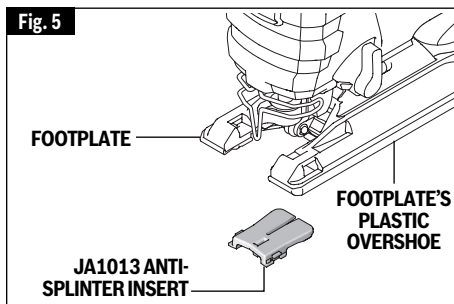
To attach, slide overshoe in direction of arrow completely onto metal footplate (Fig. 4).



Anti-Splinter Insert

To minimize splintering of the top surface of the material being cut, place the JA1013 anti-splinter insert in the blade opening of the footplate's plastic overshoe (Fig. 5).

Note: This insert will only work with


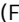


blades that have ground sides such as T301CD, T101B, T101D, and T101DP.

Operating Instructions

⚠ WARNING Disconnect battery pack from tool or place the switch in the locked or off position before making any assembly, adjustments or changing accessories. Such preventive safety measures reduce the risk of starting the tool accidentally.

Switch Lock (Model JSH180 only)

The switch lock is designed to prevent accidental starts. To operate switch, press the switch lock button with your thumb to the unlock  symbol. To lock the switch, press the switch lock button to the lock  symbol (Fig. 1).

Variable Speed Trigger Switch (Model JSH180 only)

Your tool is equipped with a variable speed trigger switch. The tool can be turned "ON" or "OFF" by squeezing or releasing the trigger. The speed can be adjusted from the minimum to maximum nameplate SPM by the pressure you apply to the trigger. Apply more

pressure to increase the speed and release pressure to decrease speed (Fig. 1).

Variable Speed Dial (Model GST18V-47 only)

Your jig saw is equipped with a variable speed dial. The blade stroke rate may be adjusted during cutting operation by presetting the dial on or between any one of the six numbers (Fig. 1).

Slide On-Off Switch (Model GST18V-47 only)

The tool is switched "ON" by the switch button located at the side of the motor housing. The switch locks in the "ON" position, a convenience for continuous

Operating Instructions

operation (Fig. 1).

To turn the tool "ON" slide the switch button forward.

TO UNLOCK THE SWITCH, slide the switch button backward.

Work Light

Your tool is equipped with work light for better visibility during operation. When the tool is turned on, the light turns on. When the tool is turned off, the light turns off.

Chip Blower

Your jig saw is equipped with an "always on" blower to help keep the intended cut line visible. When the tool is turned on, the blower is turned on. When the tool is turned off, the blower is off.

Protection Against Deep Discharging

The lithium ion battery is protected against deep discharging by the "Electronic Cell Protection (ECP)". When the battery is empty, the tool is switched off by means of a protective circuit.

Temperature-dependent Overload Protection

In normal conditions of use, the tool cannot be overloaded. However, if the power tool is overloaded or not kept within the permitted battery temperature range, the speed is reduced or the power tool switches off. If the tool speed is automatically reduced in such situations, the tool will run again at full speed once the permitted battery temperature is reached or the load is reduced. During automatic shut-down, switch off the power tool, allow the battery to cool down, and then switch the power tool back on (Fig. 1).

Brake

When the trigger is released it activates the electrical brake to stop the blade quickly. This feature is especially useful when making repetitive cuts.

Blade Orbit Selector Lever

Maximum cutting efficiency can be obtained by adjusting the blade orbit selector lever to suit the material being cut.

The following chart will help you determine which setting to use for your application. This chart is intended as a guideline only, and test cuts in scrap material should be performed first to determine the best setting.

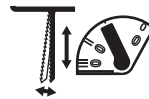
Setting 0

Hard materials such as metals or thin sheet metals. This setting can be used with knife blades, grit edge blades, rasp work, and down cutting blades.



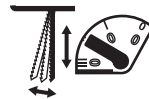
Setting 1

Soft materials where cleaner cutting or delicate scrolling work is performed.



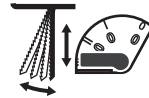
Setting 2

Medium density materials such as harder woods or particle board.



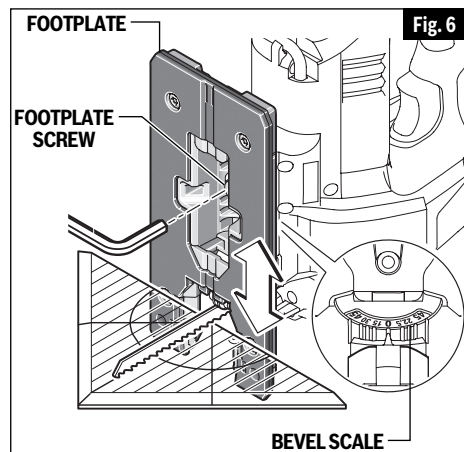
Setting 3

Soft materials such as wood, plastics, etc. and when fast cutting is more important than a clean cut.



Footplate Angle Adjustment (Model JSH180 only)

The footplate may be tilted to allow angle cuts up to 45° in either direction.



Operating Instructions

Note: before adjusting the footplate, remove anti-splinter insert, if used.

To adjust footplate, loosen screw with allen wrench provided, slide the footplate slightly forward towards the front of tool, then rotate to desired angle. The detent slots will hold the footplate firmly at 45°, and there are additional position marks for 15° and 30° angles. Intermediate angles may be set with a protractor. After positioning the footplate securely tighten screw (Fig. 6).

Flush Cutting

To allow the saw to make a perpendicular cut close to a vertical surface in front of the saw, the footplate may be repositioned as follows:

Loosen screw, move the footplate back in the 0° alignment slot, and securely tighten screw. Note that when the footplate is retracted in this manner, only 90° cuts are possible, and the optional cutting guide and anti-splinter insert guide may not be used.

Tool Tips

⚠ WARNING Always hold the saw by the insulated gripping surfaces on the front of the tool and the switch handle. Failure to hold the tool by the insulated gripping surface may result in electric shock or electrocution if sawing into a blind area where live wiring exists.

Always be certain that smaller workpieces are securely fastened to a bench or other support. Larger panels may be held in place by clamps on a bench or sawhorses.

To begin a cut, clearly mark the cutting line, and rest the front of the footplate on the work. Engage the switch, and move the blade into the work using only enough forward pressure to keep the blade cutting steadily. Do not force, as this will not make the saw cut faster; let the blade do the work.

When sawing metal or similar materials, apply coolant/lubricant alongside the cutting line.

Use of reverse-tooth blade such as the Bosch T101BR requires the orbital

setting to be “0” and that downward pressure be applied to the top of the saw.

Blade Selection

- Choose blades carefully, as the ability of the jigsaw to make the fastest cuts, to follow tight curves, to achieve the smoothest finish and/or to maximize the life of the blade are directly related to the type of blade used.
- Always use a blade that is appropriate for the cutting task.
- Always make a test cut in a piece of scrap material.
- For tight curves it is best to use a narrow or scroll blade.
- Most jigsaw blades have upward-pointing teeth, which helps to pull the jigsaw against the workpiece and minimize vibration. Blades with upward-pointing teeth produce a clean cut on the bottom of the workpiece.
- Blades with downward-pointing teeth (reverse-tooth blade) can be used to produce a clean cut on the top of the workpiece (that side that faces the jigsaw's footplate), such as when cutting an already-installed countertop from the top. When using reverse-tooth blades, downward force must be applied to the jigsaw.
- Blades with teeth that point straight out (rather than up or down) allow splinter-free cutting on both sides of the workpiece. When using such blades, downward force must be applied to the jigsaw.
- The following types of blades should only be used with orbital Setting 0:
 1. Blades with teeth that point downward (reverse-tooth blades).
 2. Blades with teeth that point straight out rather than up or down.
 3. Carbide-tipped blades.
 4. Grit-edge blades.

Plunge Cutting

Plunge cutting is useful and time-saving in making rough openings in softer

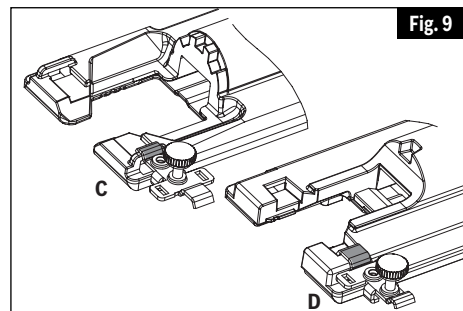
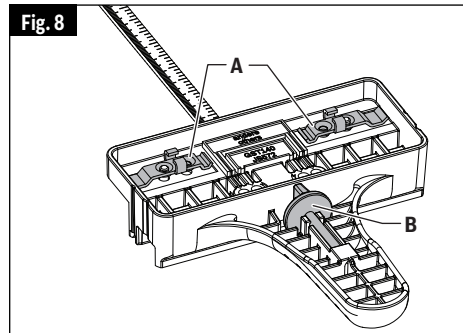
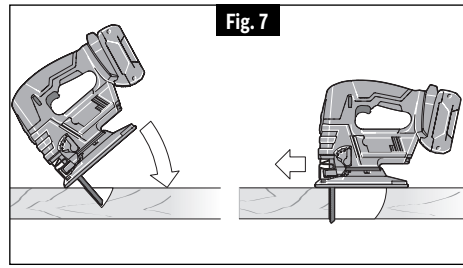
Operating Instructions

materials. It is not necessary to drill a hole for an inside or pocket cut. The longest blade to be used for plunge cutting is 3-1/8" (80 mm). Footplate must be set 0° setting.

Draw lines for the opening, hold the saw firmly, tilt it forward so that the toe of the saw foot rests on the work, but with the blade well clear of the work. Turn the tool on and run at top speed, and then very gradually lower the blade (Fig. 7).

When it touches, continue pressing down on the toe of the saw foot slowly pivoting the saw like a hinge until the blade cuts through and the foot rests flat on the work. Then saw ahead on the cutting line. We do not recommend plunge cutting with a scroll blade. Do not try to plunge cut into hard materials such as steel.

To make sharp corners, cut up to the corner, then back up slightly before rounding the corner. After the opening is complete, go back to each corner and cut it from the opposite direction to square it off.

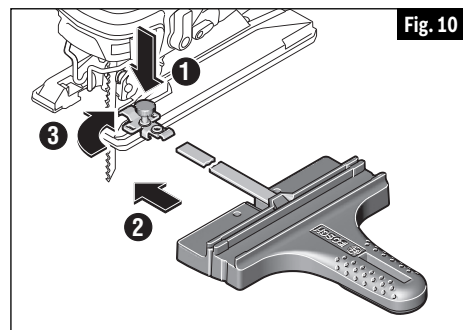


JA1010 Circle and Parallel Cutting Guide (Sold separately)

The JA1010 is used for fast and accurate straight and circle cutting. It includes the guide, two clamps **A** for attaching it to the jig saw, and a center pin **B** for guiding circle cuts. The clamps and the centering pin can be stored on the guide (Fig. 8).

One end of the clamp is used to attach the guide's bar to jig saws that have narrow tops on their footplate mounting slots (**C**) and the other end is used to attach the guide's bar to jig saws that have wide tops on their footplate mounting slots (**D**) (Fig. 9).

When possible, attach the bar to the jig saw using both clamps for enhanced grip and precision.



ATTACHING GUIDE TO JIG SAW

1. Orient the blade clamp so that the proper end is placed on the jig saw foot from either side of the tool.
2. Insert guide's bar through a clamp, then through the slots provided in foot, with the guide's fence orientated correctly for the intended

application, parallel cutting or circle cutting. (If possible, place second clamp on bar from opposite side of jig saw.)

3. Place lock knob(s) on proper side of

Operating Instructions

clamp(s) and securely tighten lock knob(s) on the clamp(s) (Fig. 10).

PARALLEL CUTTING

Parallel cuts can be made from 5/8" to 6" in from the edge of the workpiece.

1. The guide fence surface needs to be positioned **ALONGSIDE** the workpiece (Fig. 11).
2. Hook clamp(s) onto footplate, adjust fence to desired width and place lock knob(s) on proper side of clamp(s)
3. Securely tighten lock knob(s) on the clamp(s) (Fig. 10).
4. Insert jig saw's plug into power source, hold the saw firmly, squeeze trigger and slowly push the saw forward (Fig. 11).

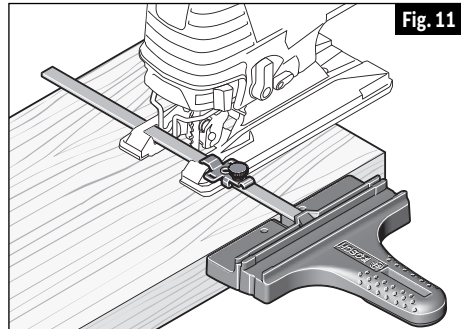


Fig. 11

CIRCLE CUTTING

Circle cuts can be made from 5" to 16-1/2" in diameter

1. Determine the center point of the desired circle.
2. Drill a 3/16" (5 mm) center hole 7/8" (23 mm) deep in workpiece. (For enhanced precision, drill the hole using a drill press, if possible).
3. Drill or plunge cut near the circle's edge, turn saw off, and disconnect battery pack from the tool.
4. Insert guide bar through a clamp, then through the slots provided in foot, from either side of foot (Fig. 5). (If possible, place second clamp on bar from opposite side of jig saw).
5. Remove guide pin **B** from end of guide, push pin through proper hole provided in guide, then into center hole of workpiece. (When used with a Bosch JS572 jig saw – or the JSH180/GST18V-47 cordless jig saw – the holes labeled for the JS572 should be used.) For other jig saws, one of the other holes should be used.
6. Measure the distance from the center of the hole to the desired circle radius. Adjust that measurement as necessary to account for the width of the blade:

- When cutting a hole, cut from inside the intended radius.
- When cutting wheels or discs, cut from the outside the intended radius.

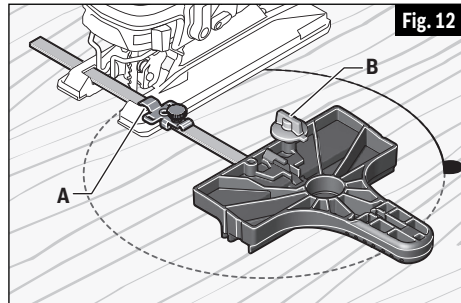


Fig. 12

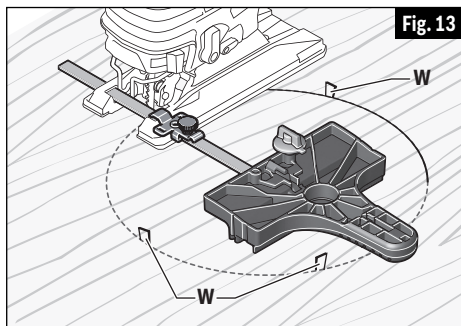


Fig. 13

7. Hook clamp(s) onto footplate, and position the guide to that adjusted radius measurement.
8. Place lock knob(s) on proper side of clamp(s) and securely tighten lock knob(s) on the clamp(s) (Fig. 10).
9. Insert battery pack into jig saw, hold the saw firmly, squeeze trigger and slowly push the saw forward.

CIRCLE-CUTTING TIPS:

- Place small wedges **W** in the cut as shown in Fig. 13, to keep the inner circle from spreading when near the end of the cut.
- Use a thick jig saw blade, such as the

Operating Instructions

Bosh T101TP or T144DP whenever possible.

- Make sure that the jig saw's orbital setting is at 0 (zero)
- Cut slowly so the blade will stay straight in the cut.

Maintenance

⚠ WARNING To avoid accidents, always disconnect the battery pack from tool before servicing or cleaning.

Service

⚠ WARNING **NO USER SERVICE-ABLE PARTS INSIDE.** Preventive maintenance performed by unauthorized personnel may result in misplacing of internal wires and components which could cause serious hazard. We recommend that all tool service be performed by a Bosch Factory Service Center or Authorized Bosch Service Station. **SERVICEMEN:** Disconnect tool and/or charger from power source before servicing.

Batteries

Be alert for battery packs that are nearing their end of life. If you notice decreased tool performance or significantly shorter running time between charges then it is time to replace the battery pack. Failure to do so can cause the tool to operate improperly or damage the charger.

Tool Lubrication

Your Bosch tool has been properly lubricated and is ready for use.

Motors

The motor in your tool has been engineered for many hours of dependable service. To maintain peak efficiency of the motor, we recommend it be examined every six months. Only a genuine Bosch replacement motor specially designed for your tool should be used.

Bearings

Bearings which become noisy (due to heavy load or very abrasive material cutting) should be replaced at once to avoid overheating and motor failure.

Cleaning

⚠ CAUTION **Certain cleaning agents and solvents damage plastic parts.** Some of these are: gasoline, carbon tetrachloride, chlorinated cleaning solvents, ammonia and household detergents that contain ammonia.

Ventilation openings and switch levers must be kept clean and free of foreign matter. Do not attempt to clean by inserting pointed objects through opening.

CLEANING BLADE HOLDER

Clean the saw blade holder regularly. For this, remove the saw blade from the tool and lightly tap footplate on a level surface.

Regularly spray penetrating oil onto the saw blade holder.

Check the guide roller regularly. If worn, it must be replaced through an authorized Bosch Factory Service Center

Lubricate the guide roller occasionally with a drop of oil.

Accessories and Attachments





⚠ WARNING The use of any other attachments or accessories not specified in this manual may create a hazard.

Store accessories in a dry and temperate environment to avoid corrosion and deterioration.

| Standard equipment | Optional accessories and attachments |
|---|--|
| <ul style="list-style-type: none">- JA1013 Anti splinter insert- Bosch T-shank jig saw blade | <ul style="list-style-type: none">- JA1011 Steel overshoe- JA1010 Circle and parallel cutting guide- Carrying bag- Other Bosch T-shank jig saw blades |

Symboles relatifs à la sécurité

Les définitions ci-dessous décrivent le niveau de gravité pour chaque terme signalant un danger. Veuillez lire le mode d'emploi et lire la signification de ces symboles.

| | |
|---|---|
|  | C'est le symbole d'alerte relatif à la sécurité. Il est utilisé pour vous avertir de l'existence possible d'un danger de lésion corporelle. Obéissez à tous les messages relatifs à la sécurité qui suivent ce symbole pour éviter tout risque de blessure ou même de mort. |
|  | DANGER indique une situation dangereuse qui, si elle n'est pas évitée, causera la mort d'une personne ou une blessure grave. |
|  | AVERTISSEMENT indique une situation dangereuse qui, si elle n'est pas évitée, pourrait causer la mort d'une personne ou une blessure grave. |
|  | MISE EN GARDE indique une situation dangereuse qui, si elle n'est pas évitée, causera une blessure légère ou modérée. |

Avertissements généraux concernant la sécurité des outils électroportatifs

AVERTISSEMENT Lisez toutes les consignes de sécurité, instructions, illustrations et spécifications fournies avec cet outil électrique.

Le non-respect de toutes les instructions figurant ci-après pourrait causer un choc électrique, un incendie et/ou des blessures graves.

CONSERVEZ TOUS LES AVERTISSEMENTS ET TOUTES LES CONSIGNES DE SÉCURITÉ POUR RÉFÉRENCE FUTURE.

Dans les avertissements, le terme « outil électroportatif » se rapporte à votre outil branché sur le secteur (avec fil) ou à votre outil alimenté par piles (sans fil).

1. Sécurité du lieu de travail

- Maintenez le lieu de travail propre et bien éclairé.** Les risques d'accident sont plus élevés quand on travaille dans un endroit encombré ou sombre.
 - N'utilisez pas d'outils électroportatifs dans des atmosphères explosives, comme par exemple en présence de gaz, de poussières ou de liquides inflammables.** Les outils électroportatifs produisent des étincelles qui risquent d'enflammer les poussières ou les vapeurs.
 - Éloignez les enfants et les visiteurs quand vous servez d'un outil électroportatif.** Vous risquez une perte de contrôle si on vous distrait.
- N'utilisez pas d'adaptateur de prise avec des outils électroportatifs munis d'une fiche de terre.** Le risque de choc électrique est moindre si on utilise une fiche non modifiée sur une prise qui lui correspond.
 - Évitez tout contact du corps avec des surfaces reliées à la terre tels que tuyaux, radiateurs, gazinières ou réfrigérateurs.** Le risque de choc électrique augmente si votre corps est relié à la terre.
 - N'exposez pas les outils électroportatifs à la pluie ou à l'humidité.** Si de l'eau pénètre dans un outil électroportatif, le risque de choc électrique augmente.
 - Ne maltraitez pas le cordon. Ne vous en servez jamais pour transporter l'outil électroportatif, pour le tirer ou pour le débrancher.** Éloignez le cordon de la chaleur, des huiles, des arêtes coupantes ou des pièces mobiles. Les cordons abîmés ou emmêlés augmentent les risques de choc électrique.

2. Sécurité électrique

- Les fiches des outils électroportatifs doivent correspondre à la prise. Il ne faut absolument jamais modifier la fiche.**

Avertissements généraux concernant la sécurité des outils électroportatifs

- e. **Si vous utilisez un outil électroportatif à l'extérieur, employez une rallonge conçue pour l'extérieur.** Ces rallonges sont faites pour l'extérieur et réduisent le risque de choc électrique.
- f. **S'il est absolument nécessaire d'utiliser l'outil électroportatif dans un endroit humide, utilisez une alimentation protégée par un disjoncteur de fuite de terre (GFCI).** L'utilisation d'un disjoncteur GFCI réduit les risques de choc électrique.

3. Sécurité personnelle

- a. **Restez concentré, faites attention à ce que vous faites, et servez-vous de votre bon sens lorsque vous utilisez un outil électroportatif. N'employez pas d'outils électroportatifs quand vous êtes fatigué ou sous l'emprise de drogues, d'alcool ou de médicaments.** Quand on utilise des outils électroportatifs, il suffit d'un moment d'inattention pour causer des blessures corporelles graves.
- b. **Utilisez des équipements de sécurité personnelle. Portez toujours une protection oculaire.** Le port d'équipements de sécurité tels que des masques antipoussières, des chaussures de sécurité antidérapantes, des casques de chantier et des protecteurs d'oreilles dans des conditions appropriées réduira le risque de blessure corporelle.
- c. **Évitez les démarrages intempestifs. Assurez-vous que l'interrupteur est dans la position arrêt (Off) avant de brancher l'outil dans une prise de courant et/ou un bloc-piles, de le ramasser ou de le transporter.** Le transport d'un outil électroportatif avec le doigt sur la gâchette ou le branchement de cet outil quand l'interrupteur est en position de marche (ON) est une invite aux accidents.
- d. **Enlevez toutes les clés de réglage avant de mettre l'outil électroportatif en marche.** Si on laisse une clé sur une pièce tournante de l'outil électroportatif, il y a risque de blessure corporelle.
- e. **Ne vous penchez pas. Conservez toujours une bonne assise et un bon équilibre.** Ceci vous permettra de mieux maîtriser l'outil électroportatif dans des situations inattendues.
- f. **Habilitez-vous de manière appropriée. Ne portez pas de vêtements amples ou de bijoux. Attachez les cheveux longs. N'approchez pas les cheveux, les vêtements ou les gants des pièces en mouvement.** Les vêtements amples, les bijoux ou les cheveux longs risquent d'être happés par les pièces en mouvement.
- g. **Si l'outil est muni de dispositifs permettant le raccordement d'un système d'aspiration et de collecte des poussières, assurez-vous que ces dispositifs sont raccordés et utilisés correctement.** L'utilisation d'un dépoussiéreur peut réduire les dangers associés à l'accumulation de poussière.
- h. **Ne laissez pas la familiarité résultant de l'utilisation fréquente des outils vous inciter à devenir complaisant(e) et à ignorer les principes de sécurité des outils.** Une action négligente pourrait causer des blessures graves en une fraction de seconde.

4. Utilisation et entretien des outils électroportatifs

- a. **Ne forcez pas sur l'outil électroportatif. Utilisez l'outil électroportatif qui convient à la tâche à effectuer.** L'outil qui convient à la tâche fait un meilleur travail et est plus sûr à la vitesse pour lequel il a été conçu.
- b. **Ne vous servez pas de l'outil électroportatif si son interrupteur ne parvient pas à le mettre en marche ou à l'arrêter.** Tout outil électroportatif qui ne peut pas être commandé par son interrupteur est dangereux et doit être réparé.
- c. **Débranchez la fiche de la prise secteur et/ou retirez le bloc-piles de l'outil électrique (s'il est amovible) avant d'y apporter de quelconques modifications, de changer d'accessoire ou de ranger l'outil électrique.** De telles mesures de sécurité préventive réduisent le risque de démarrage intempestif de l'outil électroportatif.
- d. **Rangez les outils électroportatifs dont vous ne vous servez pas hors de portée des enfants et ne permettez pas à des personnes qui ne connaissent pas l'outil électroportatif ou qui ignorent ces consignes de s'en servir.** Les outils électroportatifs sont dangereux dans les mains d'utilisateurs inexpérimentés.

Avertissements généraux concernant la sécurité des outils électroportatifs

- e. **Entretenez de façon appropriée les outils électriques et les accessoires. Assurez-vous que les pièces en mouvement sont bien alignées et qu'elles ne se coincent pas, qu'il n'y a pas de pièces cassées ou qu'il n'existe aucune situation pouvant affecter le fonctionnement de l'outil électrique. Si l'outil est abîmé, faites-le réparer avant de l'utiliser.** De nombreux accidents sont causés par des outils électroportatifs mal entretenus.
- f. **Maintenez les outils coupants affûtés et propres.** Les outils coupants entretenus correctement et dotés de bords tranchants affûtés sont moins susceptibles de coincer et sont plus faciles à maîtriser.
- g. **Utilisez l'outil électroportatif, les accessoires et les embouts d'outil, etc. conformément à ces instructions, en tenant compte des conditions de travail et des travaux à réaliser.** L'emploi d'outils électroportatifs pour des tâches différentes de celles pour lesquelles ils ont été prévus peut résulter en une situation dangereuse.
- h. **Gardez les poignées et les surfaces de préhension propres, sèches et exemptes de toute trace d'huile ou de graisse.** Les poignées et les surfaces de préhension glissantes ne permettent pas une manipulation et un contrôle sûrs de l'outil dans des situations inattendues.
- d. **Dans des conditions abusives, du liquide peut être éjecté de la pile ; dans un tel cas, évitez tout contact avec ce liquide. Si un contact se produit accidentellement, rincez avec de l'eau. Si le liquide entre en contact avec les yeux, consultez un médecin.** Du liquide éjecté de la pile peut causer des irritations ou des brûlures.
- e. **N'utilisez pas un bloc-piles ou un outil qui est endommagé ou a été modifié.** Des piles endommagées ou modifiées peuvent se comporter de façon imprévisible et causer un incendie ou une explosion, ou entraîner des blessures.
- f. **N'exposez pas un bloc-piles ou un outil à un incendie ou à une température excessive.** L'exposition à un incendie ou à une température supérieure à 265° F (130° C) pourrait causer une explosion.
- g. **Suivez toutes les instructions relatives à la charge et ne chargez pas le bloc-piles ou l'outil en dehors de la plage de température indiquée dans les instructions.** Une charge dans des conditions appropriées ou à des températures en dehors de la plage spécifiée pourrait endommager les piles et augmenter le risque d'incendie.

5. Utilisation et entretien des outils à piles

- a. **Rechargez les piles uniquement avec le chargeur spécifié par le fabricant.** Un chargeur qui convient à un type de bloc-piles peut entraîner un risque d'incendie quand il est utilisé avec un autre bloc-piles.
- b. **Utilisez des outils électroportatifs uniquement avec les bloc-piles spécifiquement désignés pour eux.** L'utilisation de tout autre bloc-piles peut créer un risque de blessures et d'incendie.
- c. **Lorsque le bloc-piles n'est pas utilisé, gardez-le à distances d'autres objets métalliques tels que des trombones, des pièces de monnaie, des clés, des clous,**

6. Entretien

- a. **Faites réparer votre outil électroportatif par un agent de service qualifié n'utilisant que des pièces de rechange identiques.** Ceci assure que la sécurité de l'outil électroportatif est préservée.
- b. **Ne tentez jamais de réparer des blocs-piles endommagés.** La réparation de blocs-piles ne doit être effectuée que par le fabricant ou un prestataire de services agréé.

Règles de sécurité concernant les scies sauteuses

- a. **Tenez l'outil électroportatif par ses surfaces de préhension isolées lorsque vous effectuez une opération à l'occasion de laquelle l'accessoire de coupe risque d'entrer en contact avec un fil caché.** Tout contact de l'accessoire de coupe avec un fil sous tension risque de mettre aussi sous tension les parties métalliques exposées de l'outil électroportatif, ce qui pourrait causer un choc électrique pour l'opérateur.
- b. **Utilisez des brides ou d'autres moyens pratiques de brider ou de supporter la pièce sur une plate-forme stable.** Tenir la pièce à la main ou contre le corps est instable et risque de résulter en une perte de contrôle.
- c. **Ne percez, fixez et ne rentrez pas dans des murs existants ou autres endroits aveugles pouvant abriter des fils électriques.** Si cette situation est inévitable, débranchez tous les fusibles ou les disjoncteurs alimentant ce site.
- d. **Débranchez le bloc-pile de l'outil ou placez l'interrupteur à la position de blocage ou d'arrêt avant d'effectuer tout assemblage ou réglage ou de changer les accessoires.** Ces mesures de sécurité préventives réduisent le risque d'une mise en marche accidentelle de l'outil.
- e. **Ne tenez jamais la gâchette bloquée en position de marche. Avant d'insérer le bloc-pile, vérifiez que le blocage de gâchette est en position « arrêt » (OFF).** Les mises en marche accidentelles peuvent causer des blessures.
- f. **Gardez les mains à l'écart de la zone de coupe. Ne placez surtout pas la main sous le matériau que vous coupez.** Il est impossible de déterminer exactement la proximité de la lame de votre main.
- g. **Évitez de vous placer les mains entre le carter d'engrenages et le porte-lame de la scie.** Le porte-lame à mouvement alternatif risquerait de vous pincer les doigts.
- h. **N'utilisez pas de lames émoussées ou endommagées.** Les lames pliées peuvent aisément se fracturer ou causer un rebond.
- i. **Avant de commencer à couper, mettez l'outil en marche et attendez que la lame atteigne sa vitesse maximale.** L'outil peut trembler ou vibrer si la vitesse de la lame est trop lente au début de la coupe, et il peut éventuellement rebondir.
- j. **Il importe de bien assujettir la pièce sur laquelle vous travaillez. Ne la tenez jamais dans votre main ou sur vos jambes.** Les pièces minces et plus petites peuvent fléchir ou vibrer avec la lame, risquant ainsi de vous faire perdre le contrôle.
- k. **Avant de commencer à scier, assurez-vous que toutes les vis de réglage et que le porte-lame sont serrés.** Les vis de réglage et porte-lame lâches peuvent faire glisser l'outil ou la lame et ainsi vous faire perdre le contrôle.
- l. **En retirant la lame de l'outil, évitez le contact avec la peau et utilisez des gants protecteurs appropriés en saisissant la lame ou l'accessoire.** Les accessoires peuvent être chauds après un usage prolongé.

Avertissements supplémentaires concernant la sécurité

L'emploi d'un GFCI et de dispositifs de protection personnelle tels que gants et chaussures d'électricien en caoutchouc améliorent votre sécurité personnelle.

Créez un agenda d'entretien périodique pour votre outil. Quand vous nettoyez un outil, faites attention de n'en démonter aucune pièce car il est toujours possible de mal remonter ou de pincer les fils internes ou de remonter incorrectement les ressorts de rappel des capots de protection. Certains agents de nettoyage tels que l'essence, le tétrachlorure de carbone, l'ammoniaque, etc. risquent d'abîmer les plastiques.

Veillez à ce que l'interrupteur soit dans la position de fermeture avant d'insérer le bloc-piles. L'insertion d'un bloc-piles dans un outil électroportatif dont l'interrupteur est dans la position de marche est une invite aux accidents.





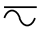


⚠ AVERTISSEMENT Les travaux à la machine tel que ponçage, sciage, meulage, perçage et autres travaux du bâtiment peuvent créer des poussières contenant des produits chimiques qui sont des causes reconnues de cancer, de malformation congénitale ou d'autres problèmes reproductifs. Ces produits chimiques sont, par exemple :

- Le plomb provenant des peintures à base de plomb,
- Les cristaux de silices provenant des briques et du ciment et d'autres produits de maçonnerie, et
- L'arsenic et le chrome provenant des bois traités chimiquement.

Le niveau de risque dû à cette exposition varie avec la fréquence de ces types de travaux. Pour réduire l'exposition à ces produits chimiques, il faut travailler dans un lieu bien ventilé et porter un équipement de sécurité approprié tel que certains masques à poussière conçus spécialement pour filtrer les particules microscopiques.

Symboles

Important : Certains des symboles suivants peuvent être utilisés sur votre outil. Veuillez les étudier et apprendre leur signification. Une interprétation appropriée de ces symboles vous permettra d'utiliser l'outil de façon plus efficace et plus sûre.

| Symbole | Désignation / Explication |
|---|--|
| V | Volts (tension) |
| Ah | Ampères/heure (mesure de la capacité de la pile) |
| A | Ampères (courant) |
| Hz | Hertz (fréquence, cycles par seconde) |
| W | Watt (puissance) |
| kg | Kilogrammes (poids) |
| min | Minutes (temps) |
| s | Secondes (temps) |
| ∅ | Diamètre (taille des mèches de perceuse, meules, etc.) |
| n_0 | Vitesse à vide (vitesse de rotation, à vide) |
| n | Vitesse nominale (vitesse maximum pouvant être atteinte) |
| .../min | Tours ou mouvement alternatif par minute (tours, coups, vitesse en surface, orbites, etc., par minute) |
| 0 | Position d'arrêt (vitesse zéro, couple zéro ...) |
| 1, 2, 3, ... I, II, III, | Réglages du sélecteur (Réglages de vitesse, de couple ou de position. Un nombre plus élevé signifie une vitesse plus grande) |
|  | Sélecteur variable à l'infini avec arrêt (La vitesse augmente depuis le réglage 0) |
|  | Flèche (action dans la direction de la flèche) |
|  | Courant alternatif (type ou caractéristique du courant) |
|  | Courant continu (type ou caractéristique du courant) |
|  | Courant alternatif ou continu (type ou caractéristique du courant) |
|  | Construction classe II (désigne des outils construits avec double isolation) |
|  | Borne de terre (borne de mise à la terre) |

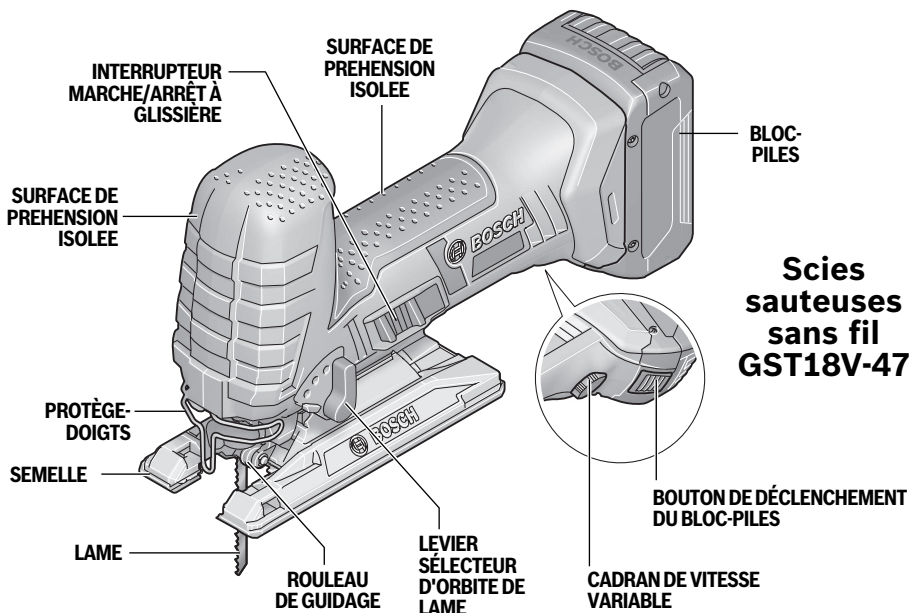
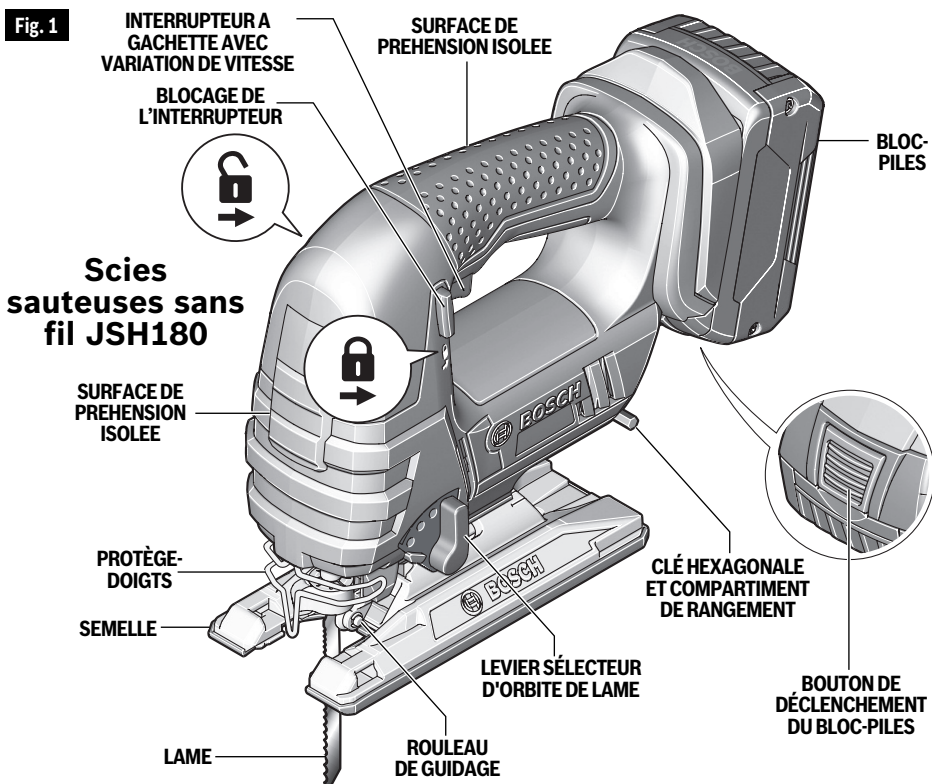
Symboles

Important : Certains des symboles suivants peuvent être utilisés sur votre outil. Veuillez les étudier et apprendre leur signification. Une interprétation appropriée de ces symboles vous permettra d'utiliser l'outil de façon plus efficace et plus sûre.

| Symbole | Désignation / Explication |
|---|--|
|  | Alerte l'utilisateur pour lire le mode d'emploi |
|  | Alerte l'utilisateur pour porter des lunettes de sécurité |
|  | Ce symbole signifie que cet outil est approuvé par Underwriters Laboratories. |
|  | Ce symbole indique que ce composant est reconnu par Underwriters Laboratories. |
|  | Ce symbole signifie que cet outil est approuvé par Underwriters Laboratories selon les normes des États-Unis et du Canada. |
|  | Ce symbole signifie que cet outil est approuvé par l'Association canadienne de normalisation. |
|  | Ce symbole signifie que cet outil est approuvé par l'Association canadienne de normalisation selon les normes des États-Unis et du Canada. |
|  | Ce symbole signifie que cet outil est approuvé par Intertek Testing Services selon les normes des États-Unis et du Canada |
|  | Ce symbole signifie que cet outil se conforme aux normes mexicaines NOM. |
|  | Désigne le programme de recyclage des piles Li-ion. |
|  | Désigne le programme de recyclage des piles Ni-Cad. |

Description fonctionnelle et spécifications

Fig. 1



Description fonctionnelle et spécifications

| | | |
|--------------------------------|----------------------------|---------------------|
| Numéro de modèle | GST18V-47 | JSH180 |
| Tension nominale | 18 V | 18 V |
| Régime à vide | n_0 550–2 700/min | n_0 0–2 700/min |
| Capacités maximales | | |
| Longueur de la course | 1 po (25,4 mm) | 1 po (25,4 mm) |
| Bois | 4-23/32 po (120 mm) | 4-23/32 po (120 mm) |
| Aluminium | 13/16 po (20,5 mm) | 13/16 po (20,5 mm) |
| Acier doux | 5/16 po (8 mm) | 5/16 po (8 mm) |
| Température ambiante autorisée | | |
| – pendant la charge | 32...113 °F (0...+45 °C) | |
| – pendant le fonctionnement | –4...122 °F (–20...+50 °C) | |
| – pendant le stockage | 32...122 °F (0...+50 °C) | |

Bloc-piles/chargeurs

Veuillez vous référer à la liste des piles/chargeurs accompagnant votre outil.

Assemblage

⚠ AVERTISSEMENT Débranchez le bloc-pile de l'outil ou placez l'interrupteur à la position de blocage ou d'arrêt avant d'effectuer tout assemblage ou réglage ou de changer les accessoires. Ces mesures de sécurité préventives réduisent le risque d'une mise en marche accidentelle de l'outil.

Insertion et retrait du bloc-piles

Faites glisser le bloc-piles chargé dans le bâti jusqu'à ce que le bloc-piles se bloque en position.

Votre outil est muni d'un loquet de verrouillage secondaire qui empêche le bloc-piles de se séparer complètement de la poignée et de tomber au cas où il viendrait à se décrocher à cause des vibrations.

Pour retirer le bloc-piles, appuyez sur le bouton de déclenchement du bloc-piles et faites glisser le bloc-piles vers l'avant (Fig. 1).

Appuyez une fois de plus sur le bouton de déclenchement du bloc-piles et faites glisser le bloc-piles jusqu'à ce qu'il sorte complètement du bâti de l'outil.

Installation et retrait de la lame

⚠ MISE EN GARDE Pour éviter tout risque de dommage, ne tournez pas le levier de l'éjecteur de lame quand il n'y a pas de lame dans la bride de fixation de lame ou pendant que vous insérez la lame.

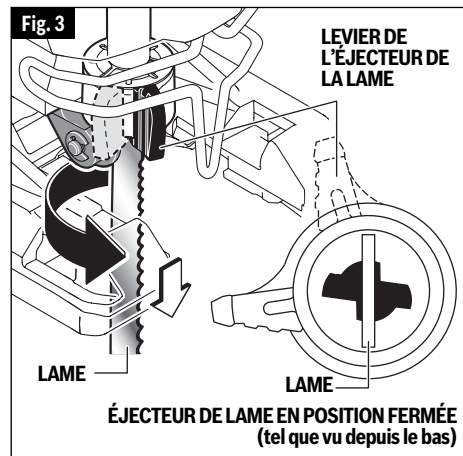
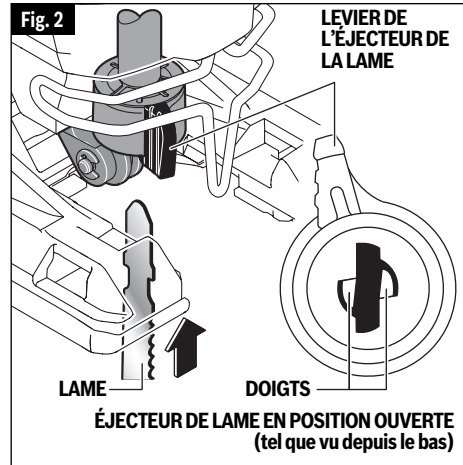
INSTALLATION DE LA LAME

Insérez la lame de la scie (avec les dents positionnées dans le sens de la coupe) dans la fente de la bride de fixation de lame jusqu'à ce que le levier de l'éjecteur de lame tourne vers la GAUCHE, ce qui indique que la bride s'est engagée. Lors de l'insertion de la lame de la scie, l'arrière de la lame doit reposer dans la rainure du galet de guidage (Fig. 2).

ÉJECTION DE LA LAME

L'outil doit être tenu de telle sorte que la lame puisse être éjectée sans danger. Pour enlever la lame de la scie, faites tourner le levier de l'éjecteur de la lame vers la DROITE, jusqu'à la butée centrale; ceci libère et éjecte la lame de la scie (Fig. 3).

REMISE DE LA BRIDE DE FIXATION



DE LAME DANS SA POSITION INITIALE

Il existe deux situations dans lesquelles il est nécessaire de remettre la bride de fixation de lame dans sa position initiale :

RÉINITIALISATION de type A – Si le levier d'éjection de la lame a été tourné de façon incorrecte, les « doigts » dans la bride de fixation risquent de glisser dans la fente d'insertion de la lame. Pour remettre la bride de fixation dans sa position initiale :

Assemblage

Première étape – En utilisant un tournevis, appuyez sur les doigts de la bride de fixation de la lame (en regardant depuis le bas de la scie sauteuse) jusqu'à ce que la bride de fixation puisse tourner.

Deuxième étape – Faites tourner le levier de l'éjecteur de la lame vers la DROITE jusqu'à ce qu'il se bloque en place.

La bride de fixation est alors prête à être utilisée.

RÉINITIALISATION de type B : Si les deux doigts à l'intérieur de la bride de fixation de la lame sont poussés accidentellement trop loin à l'intérieur du piston, ils empêcheront toute insertion de lame. Pour remettre les doigts dans leurs positions correctes :

Première étape – Faites tourner le levier de l'éjecteur de la lame vers la DROITE (en regardant depuis le bas de la scie sauteuse).

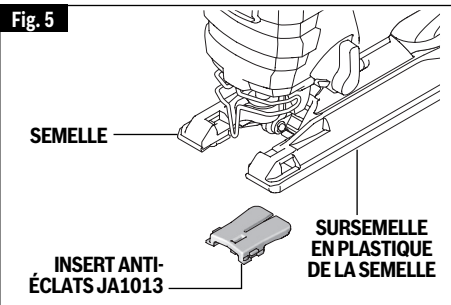
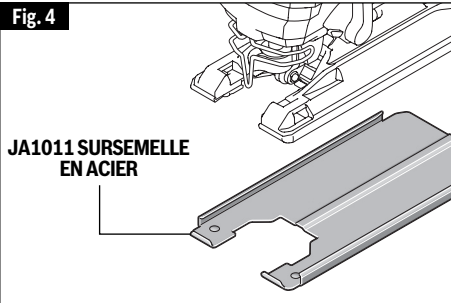
Deuxième étape – Continuez la rotation jusqu'à ce que les doigts se coincent dans la position ouverte correcte.

La bride de fixation est alors prête à être utilisée.

Pose de la sursemelle en acier JA1011; (vendue séparément)

Votre outil est pourvu d'une sursemelle protectrice en plastique qui protège les surfaces plus fines. Une sursemelle robuste en acier disponible en accessoire pour travailler dans des conditions difficiles est vendue séparément.

Pour attacher la sursemelle, faites-la glisser à fond dans le sens de la flèche sur la semelle en métal (Fig. 4).



Insert anti-éclats



Afin de réduire au minimum le risque d'écaillage de la surface supérieure du matériau qui est en train d'être coupé, placez la pièce rapportée de protection contre l'écaillage JA1013 dans l'ouverture de la lame de la sursemelle en plastique de la semelle (Fig. 5).

Remarque : Cet insert ne fonctionnera qu'avec des lames possédant des côtés rectifiés, telles que les T301CD, T101B, T101D et T101DP.

Consignes de fonctionnement

⚠ AVERTISSEMENT Débranchez le bloc-pile de l'outil ou placez l'interrupteur à la position de blocage ou d'arrêt avant d'effectuer tout assemblage ou réglage ou de changer les accessoires. Ces mesures de sécurité préventives réduisent le risque d'une mise en marche accidentelle de l'outil.

Blocage de l'interrupteur (Modèle JSH180 seulement)

Le blocage de l'interrupteur est conçu pour empêcher les démarrages intempestifs. Pour utiliser l'interrupteur, appuyez sur le bouton de blocage de l'interrupteur avec le pouce et mettez-le en face du symbole « déverrouillé » . Pour verrouiller l'interrupteur, appuyez sur le bouton de blocage de l'interrupteur et mettez-le en face de la position « verrouillé »  (Fig. 1).

Gâchette avec variation de vitesse (Modèle JSH180 seulement)

Votre outil est doté d'un interrupteur à gâchette avec variation de vitesse. Enfoncez ou relâchez la gâchette pour démarrer ou arrêter l'outil. La vitesse peut être réglée entre les valeurs mini et maxi indiquées à la plaque signalétique en faisant varier la pression exercée sur la gâchette. Plus la pression est élevée, plus la vitesse est grande (Fig. 1).

Cadran de vitesse variable (Modèle GST18V-47 seulement)

Votre scie sauteuse est pourvue d'un cadran de vitesse variable. Vous pouvez régler la course de la lame durant l'opération de coupe en pré-réglant le cadran sur ou entre n'importe lequel de six numéros (Fig. 1).

Interrupteur marche-arrêt à glissière (Modèle GST18V-47 seulement)

L'outil se met en marche à l'aide du bouton interrupteur situé sur le côté du carter du moteur. L'interrupteur se bloque à la position de marche, ce qui est pratique pour le sciage en continu (Fig. 1).

POUR METTRE L'OUTIL EN MARCHÉ, faites glisser le bouton interrupteur vers

l'avant.

POUR DÉBLOQUER L'INTERRUPTEUR, faites-le glisser vers l'arrière.

Lampe de travail

Votre outil est muni d'une lampe de travail à DEL assurant une meilleure visibilité pendant le fonctionnement. Lorsque l'outil est activé, la lampe s'allume. Lorsque l'outil est désactivé, la lampe s'éteint.

Souffleuse à copeaux

Votre scie sauteuse est pourvue d'une souffleuse « toujours activée » pour vous aider à assurer la visibilité continue du trait de coupe. Lorsque l'outil est activé, la souffleuse est également activée. Lorsque l'outil est désactivé, la souffleuse est également désactivée.

Protection contre les décharges profondes

La pile lithium-ion est protégée contre les décharges profondes par un système ECP (Electronic Cell Protection). La pile lithium-ion est protégée contre les décharges profondes par un système ECP (Electronic Cell Protection). Lorsque la pile est vide, l'outil est mis automatiquement hors service au moyen d'un circuit de protection.

Protection contre les surcharges en fonction de la température

Dans des conditions d'emploi normales, l'outil ne peut pas être en état de surcharge. Cependant, si l'outil à commande mécanique est surchargé ou n'est pas maintenu à l'intérieur de la plage de température des piles permise, la vitesse est réduite ou l'outil s'éteint alors. Si la vitesse de l'outil est réduite automatiquement dans une telle situation, l'outil recommencera à fonctionner à sa vitesse maximum dès que la température permise des piles

Consignes de fonctionnement

sera atteinte ou après que la charge aura été réduite. En cas de mise hors tension automatique, éteignez l'outil de façon normale, laissez les piles refroidir, puis remettez l'outil à commande mécanique en marche de la façon normale (Fig. 1).

Frein

Quand on relâche la gâchette, le frein est actionné et arrête rapidement la lame. Cette caractéristique est des plus utiles lors de sciages à répétition.

Levier sélecteur d'orbite de lame

On peut obtenir une efficacité maximale de coupe en réglant le levier sélecteur d'orbite de lame en fonction du matériau qu'on coupe.

Le tableau suivant vous aidera à déterminer le réglage à utiliser pour votre application. Ce tableau est destiné uniquement à servir de guide, et vous devez d'abord procéder à des coupes d'essai dans des matériaux de rebut afin de déterminer le meilleur réglage.



abrasif, du travail de râpe, et des lames de coupe vers le bas.

Réglage 0

Matériaux durs tels que métaux ou tôles minces et utilisés avec des lames de couteau, des lames à bord



Réglage 1

Matériaux mous où un travail de coupe plus nette ou de chantournage délicat est exécuté.



Réglage 2

Matériaux à densité moyenne tels que bois plus durs et panneaux d'agglomérés.



Réglage 3

Matériaux mous tels que bois, plastiques, etc., et lorsqu'une coupe rapide est plus importante qu'une coupe nette.

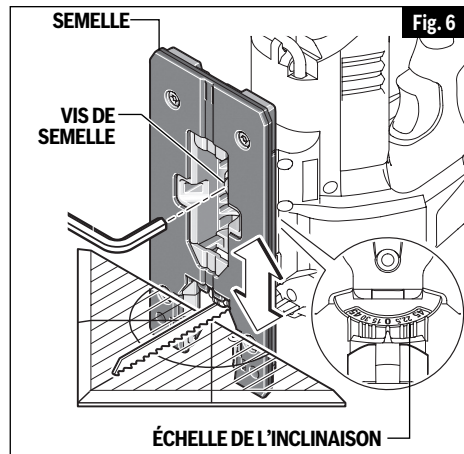
Réglage de l'angle de la semelle (Modèle JSH180)

seulement)

La semelle peut être inclinée de manière à permettre des coupes à angle jusqu'à 45° dans un sens ou dans l'autre.

Remarque : avant de procéder au réglage de la semelle, retirez la pièce rapportée de protection contre l'écaillage si vous l'avez installée.

Pour ajuster la semelle, desserrez la vis à l'aide de la clé Allen fournie, faites glisser la semelle légèrement vers l'avant en direction de l'avant de l'outil, puis faites tourner à l'angle désiré. Les fentes à cran tiendront la semelle fermement à 45°, et des marques de position supplémentaires sont prévues pour les angles de 15 et de 30 degrés. Des angles intermédiaires peuvent être réglés à l'aide d'un rapporteur. Après le positionnement de la semelle, serrez la vis solidement (Fig. 6).



Coupe à affleurement

Pour permettre à la scie de faire une coupe perpendiculaire proche d'une surface verticale devant la scie, la semelle peut être repositionnée de la façon suivante :

Desserrez la vis, remettez la semelle dans la fente d'alignement de 0°, et serrez la vis solidement. Il convient de remarquer que lorsque la semelle est ainsi rétractée, seules des coupes de 90° sont possibles, et le guide de coupe et le guide d'insert anti-éclats en option ne peuvent pas être utilisés.

Consignes de fonctionnement

Conseils concernant les outils

⚠ AVERTISSEMENT **T e n e z toujours la scie par ses surfaces de préhension isolées à l'avant de l'outil et par la poignée de l'interrupteur.** Le fait de ne pas tenir l'outil par la surface de préhension isolée pourrait causer un choc électrique ou une électrocution dans le cas où la scie entrerait en contact avec un fil électrique sous tension dans une zone sans visibilité.

Assurez-vous toujours que les ouvrages plus petits sont fixés solidement à un établi ou autre support. Les panneaux plus grands peuvent être tenus en place à l'aide de pinces de fixation sur un établi ou de chevalets de scieur.

Pour commencer une coupe, marquez clairement la ligne de coupe, et faites reposer l'avant de la semelle sur l'ouvrage. Engagez l'interrupteur, et mettez la lame dans l'ouvrage en n'utilisant qu'une pression avant afin que la lame continue à couper régulièrement. Ne forcez pas, car ceci n'entraînera pas une coupe plus rapide, laissez la lame faire le travail.

Lors du sciage de métaux ou de matériaux similaires, appliquez un liquide de refroidissement/ lubrification le long de la ligne de coupe.

L'utilisation d'une lame à dents inversées telle que la lame Bosch T101BR nécessite un réglage orbital sur « 0 » et l'application d'une pression descendante sur le haut de la lame.

Sélection de la lame

- Choisissez soigneusement les lames étant donné que la capacité de la scie à chantourner de faire des coupes rapides, de suivre des courbes difficiles, d'obtenir une excellente finition et/ou de prolonger au maximum la durée de vie de la lame dépend directement du type de lame utilisé.
- Utilisez toujours une lame qui est appropriée pour le type de coupe envisagé.
- Faites toujours une coupe de test

dans un morceau de matériau résiduel.

- Pour les courbes serrées il est préférable d'utiliser une lame étroite ou à chantourner.
- La plupart des lames de scie à chantourner ont des dents pointant vers le haut, ce qui contribue à attirer la scie à chantourner contre l'ouvrage tout en réduisant les vibrations au minimum. Les lames ayant des dents orientées vers le haut produisent une coupe nette sur le fond de l'ouvrage.
- Les lames qui ont des dents pointant vers le bas (lames à dents inversées) peuvent être utilisées pour produire une coupe nette sur le dessus de l'ouvrage (le côté qui fait face à la plaque d'assise de la scie à chantourner), comme quand on coupe un plan de travail déjà installé depuis le dessus. Quand on utilise des lames à dents inversées, il faut appliquer à la scie à chantourner une force poussant vers le bas.
- Les lames qui ont des dents pointant vers l'extérieur (plutôt que vers le haut ou vers le bas) permettent de faire des coupes sans produire d'éclats des deux côtés de l'ouvrage. Quand on utilise de telles lames, il faut appliquer à la scie à chantourner une force poussant vers le bas.
- Les types de lames suivants ne doivent être utilisés qu'avec le réglage orbital O :
 1. Lames ayant des dents pointant vers le bas (lames à dents inversées).
 2. Lames ayant des dents pointant vers l'extérieur (plutôt que vers le haut ou vers le bas).
 3. Lames à plaquettes de carbure.
 4. Lames à bord abrasif.

Coupe en plongée

La coupe en plongée est utile et pratique pour pratiquer des ouvertures grossières dans les matériaux plus mous. Il n'est pas nécessaire de percer un trou pour une coupe intérieure ou en guichet. La lame la plus longue pouvant être utilisée pour effectuer des coupes en plongée est de 3 1/8 po (80 mm). La

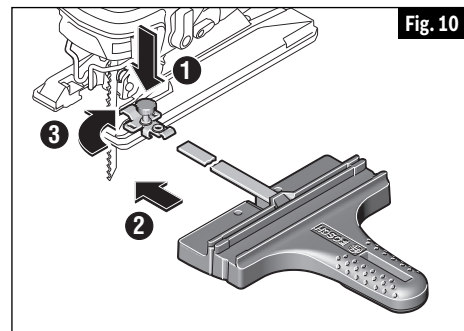
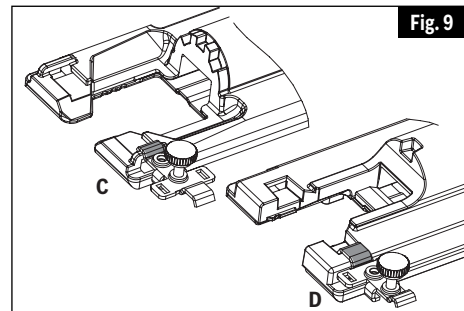
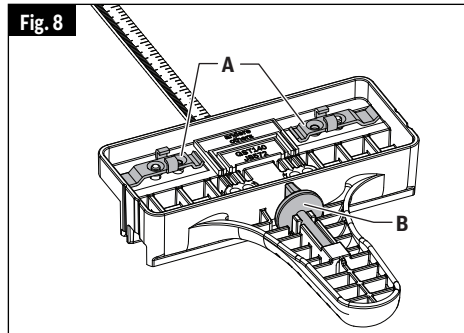
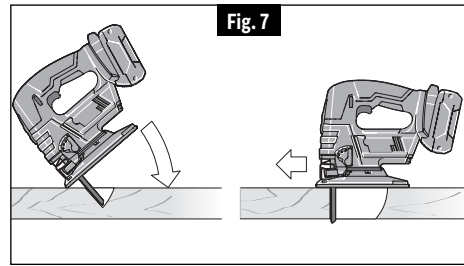
Consignes de fonctionnement

semelle doit être réglée sur 0°.

Tracez les lignes de l'ouverture, tenez fermement la scie, inclinez-la de sorte que l'extrémité avant de sa semelle repose sur la pièce, mais la lame suffisamment éloignée. Mettez l'outil sous tension et faites-le fonctionner à la vitesse maximum, puis abaissez très progressivement la lame (Fig. 7).

Quand elle touche à la pièce, continuez d'appuyer sur l'extrémité avant de la semelle en rabattant lentement la scie comme une charnière jusqu'à ce que la lame traverse le matériau et que la semelle repose à plat sur la pièce. Ensuite, continuez de scier dans la ligne. Nous ne recommandons pas la coupe en plongée avec une lame à chantourner. N'essayez pas de pratiquer la coupe en plongée dans des matériaux durs tels que l'acier.

Pour produire des coins bien carrés, coupez jusqu'au coin, puis reculez légèrement avant de contourner le coin. Une fois que l'ouverture est réalisée, retournez à chaque coin et coupez-le depuis le sens opposé pour l'égaliser.



JA1010 Coupe-cercles et guide parallèle (vendue séparément)

Le kit d'accessoires JA1010 est utilisé pour effectuer des coupes droites et circulaires rapides et précises. Il comprend le guide, deux brides de fixation pour l'attacher à la scie sauteuse **A** et une cheville centrale pour guider les coupes circulaires **B**. Les brides de fixation et la cheville centrale peuvent être rangées sur le guide (Fig. 8).

Une extrémité de la bride de fixation est utilisée pour attacher la barre du guide aux scies sauteuses qui ont des sommets étroits sur leurs fentes de montage de la plaque d'assise (**C**) et l'autre extrémité est utilisée pour attacher la barre du guide aux scies sauteuses qui ont des sommets larges sur leurs fentes de montage de la plaque d'assise (**D**) (Fig. 9).

Dans la mesure du possible, attachez la barre à la scie sauteuse en utilisant les deux brides de fixation pour renforcer l'assujettissement et améliorer la précision.

RACCORDEMENT DU GUIDE À LA SCIE SAUTEUSE

1. Orientez la bride de fixation de la lame de telle façon que son extrémité appropriée puisse être lacée sur le

Consignes de fonctionnement

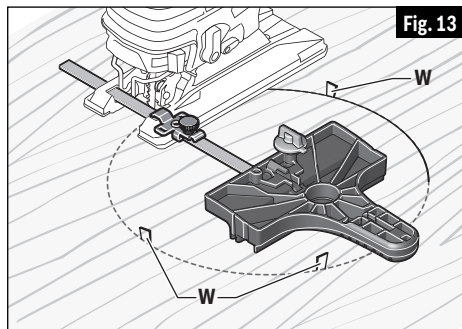
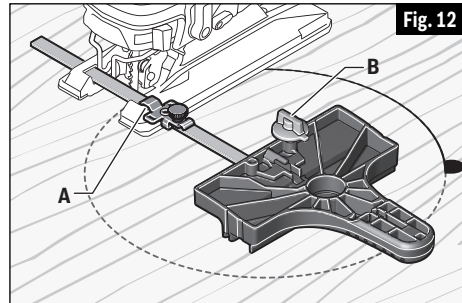
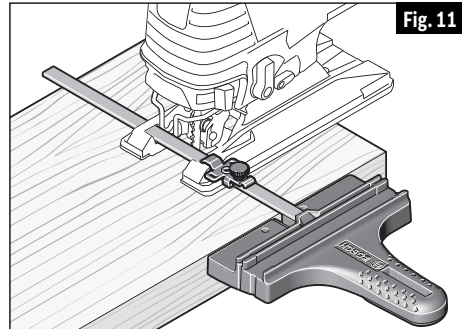
piéd de la scie sauteuse depuis n'importe quel côté de l'outil.

2. Insérez la barre du guide à travers une bride de fixation, puis à travers les fentes pratiquées dans le pied, afin que le guide longitudinal soit orienté correctement pour l'application prévue, que ce soit une coupe parallèle ou une coupe circulaire. (Si possible, placez la deuxième bride de fixation sur la barre depuis le côté opposé de la scie sauteuse.)
3. Placez le(s) bouton(s) de verrouillage du côté approprié de la bride ou des brides de fixation, puis serrez à fond le(s) bouton(s) sur la bride ou les brides de fixation (Fig. 10).

COUPE PARALLÈLE

Des coupes parallèles peuvent être effectuées de 5/8 po (16 mm) à 6 po (170 mm) depuis le bord de l'ouvrage.

1. La surface du guide longitudinal doit être positionnée LE LONG de l'ouvrage (Fig. 11).
2. Accrochez la ou les bride(s) de fixation sur la plaque d'assise, ajustez le guide longitudinal pour qu'il ait la largeur désirée et placez le(s) bouton(s) de verrouillage du côté approprié de la ou des bride(s) de fixation.
3. Serrez fermement le(s) bouton(s) de verrouillage sur la ou les bride(s) de fixation (Fig. 11).
4. Insérez la fiche de la scie sauteuse dans la source d'alimentation, tenez la scie fermement, comprimez la gâchette et poussez lentement la scie vers l'avant.



COUPE CIRCULAIRE

Des coupes circulaires de 5 po (127 mm) à 16 1/2 po (420 mm) de diamètre peuvent être effectuées.

1. Déterminez le point central du cercle désiré.
2. Percez un trou central de 16 po (5 mm) dans l'ouvrage 7/8" (23 mm) profondeur. (Pour plus de précision, percez le trou en utilisant une perceuse à colonne si cela est possible).
3. Percez ou effectuez une coupe en plongée près du bord du cercle, arrêtez la scie et déconnectez le bloc-piles de l'outil.

4. Insérez la barre du guide à travers une bride de fixation, puis à travers les trous pratiqués dans le pied, depuis n'importe quel côté du pied, (Fig. 12). (Si possible, placez la deuxième bride de fixation sur la barre depuis le côté opposé de la scie sauteuse.)
5. Retirez la cheville du guide **B** de l'extrémité du guide, enfoncez la cheville à travers le trou approprié dans le guide, puis dans le trou central de l'ouvrage. (En cas d'utilisation avec une scie sauteuse Bosch JS572 – ou avec la scie sauteuse sans fil JSH180/GST18V-47 – les trous comportant des

Consignes de fonctionnement

- repères pour JS572 doivent être utilisés.) Pour d'autres scies sauteuses, l'un des autres trous doit être utilisé.
6. Mesurez la distance depuis le centre du trou jusqu'au rayon du cercle désiré. Ajustez cette mesure suivant les besoins pour tenir compte de la largeur de la lame :
 - Lors de la coupe d'un trou, coupez depuis l'intérieur du rayon prévu.
 - Lors de la coupe de roues ou de disques, coupez depuis l'extérieur du rayon prévu.
 7. Accrochez la ou les bride(s) de fixation à la plaque d'assise, et positionnez le guide en fonction de cette mesure du ajustée du rayon.
 8. Placez le(s) bouton(s) de fixation du côté approprié de la bride ou des brides de fixation, et serrez fermement le(s) bouton(s) de verrouillage sur la ou les bride(s) de fixation (Fig. 10).
 9. Insérez le bloc-piles dans la scie sauteuse, tenez la scie fermement, comprimez la gâchette et poussez lentement la scie vers l'avant.

CONSEILS POUR LES COUPES CIRCULAIRES :

- Placez de petits coins **W** dans la coupe comme illustré à la Fig. 13, afin d'empêcher le cercle intérieur de s'étendre lorsque vous approchez de la fin de la coupe.
- Utilisez une lame de scie sauteuse épaisse, telle que la lame de scie Bosh T101TP ou T144DP dans la mesure du possible.
- Assurez-vous que le paramètre de réglage orbital de la scie sauteuse est 0 (zéro).
- Coupez lentement afin que la lame reste engagée tout droit dans la coupe.

Entretien

AVERTISSEMENT Pour éviter les accidents, débranchez toujours le bloc-piles de l'outil avant toute opération de maintenance ou de nettoyage.

Service

AVERTISSEMENT IL N'EXISTE À L'INTÉRIEUR AUCUNE PIÈCE SUSCEPTIBLE D'ÊTRE ENTRETENUE PAR L'UTILISATEUR. L'entretien préventif exécuté par des personnes non autorisés peut entraîner un positionnement erroné des composants et des fils internes, ce qui peut présenter de graves dangers. Nous recommandons de confier toute intervention d'entretien sur l'outil à un centre de service-usine Bosch ou à un centre de service après-vente Bosch agréé. TECHNICIENS : Débranchez l'outil et/ou le chargeur de la source de courant avant d'entretenir.

Piles

Faire attention aux blocs-piles qui approchent la fin de leur vie. Si vous remarquez une diminution dans les

performances de votre outil ou une durée de fonctionnement réduite de manière significative entre charges, il est temps de remplacer le bloc-piles. S'il n'est pas remplacé, il se peut qu'il endommage le chargeur ou que l'outil fonctionne incorrectement.

Graissage de l'outil

Votre outil Bosch a été graissé de manière appropriée et il est prêt à l'usage.

Paliers

Si les paliers commencent à faire du bruit (à cause de surcharges importantes ou du toupillage de matériaux très abrasifs) il faut les faire remplacer immédiatement pour éviter la surchauffe ou une panne de moteur.

Entretien

Moteurs

Le moteur de votre outil a été conçu pour de nombreuses heures d'utilisation fiable. Pour maintenir l'efficacité maximale du moteur, nous recommandons de l'examiner tous les six mois. Seul un moteur de remplacement Bosch authentique, conçu spécialement pour votre outil, doit être utilisé.

Nettoyage

⚠ MISE EN GARDE Certains agents de nettoyage et certains dissolvants abîment les pièces en plastique. Parmi ceux-ci se trouvent: l'essence, le tétrachlorure de carbone, les dissolvants de nettoyage chlorés, l'ammoniaque ainsi que les détergents domestiques qui en contiennent.

Gardez les prises d'air et les interrupteurs propres et libres de débris. N'essayez pas de les nettoyer en introduisant des objets pointus dans leurs ouvertures.

NETTOYAGE DU PORTE-LAME

Nettoyez périodiquement le porte-lame. Pour ce faire, retirez la lame de la scie de l'outil et tapotez légèrement la semelle sur une surface horizontale.

Vaporisez périodiquement de l'huile dégrissante sur le porte-lame de scie.

Vérifiez périodiquement le rouleau du système de guidage. S'il est usé, il doit être remplacé par un Centre de service après-vente usine Bosch agréé.

Lubrifiez occasionnellement le rouleau du système de guidage avec une goutte d'huile.

Accessoires et attachements





⚠ AVERTISSEMENT L'utilisation d'autres accessoires ou attachements non spécifiés dans ce mode d'emploi pourrait être dangereuse.

Ranger les accessoires dans un environnement sec et tempéré pour éviter les risques de corrosion et de détérioration.

| Équipement standard | Accessoires en option |
|---|---|
| <ul style="list-style-type: none"> - Dispositif anti-éclats JA1013 - Lame de scie à chantourner à tige en T Bosch | <ul style="list-style-type: none"> - JA1011 Sursemelle en acier - Coupe-cercles et guide parallèle JA1010 - Sac de transport - Autres lames de scie à chantourner à tige en T Bosch |

Símbolos de seguridad

Las definiciones que aparecen a continuación describen el nivel de gravedad de cada palabra de señal de seguridad. Por favor, lea el manual y preste atención a estos símbolos.

| | |
|---|---|
|  | Éste es el símbolo de alerta de seguridad. Se utiliza para alertarle a usted de posibles peligros de lesiones corporales. Obedezca todos los mensajes de seguridad que sigan a este símbolo para evitar posibles lesiones o muerte. |
|  | PELIGRO indica una situación peligrosa que, si no se evita, causará la muerte o lesiones graves. |
|  | ADVERTENCIA indica una situación peligrosa que, si no se evita, podría causar la muerte o lesiones graves. |
|  | PRECAUCIÓN indica una situación peligrosa que, si no se evita, podría causar lesiones leves o moderadas. |

Advertencias generales de seguridad para herramientas mecánicas

ADVERTENCIA Lea todas las advertencias de seguridad, instrucciones, ilustraciones y especificaciones suministradas con esta herramienta eléctrica. Si no se siguen todas las instrucciones que se indican a continuación, es posible que el resultado sea descargas eléctricas, incendio y/o lesiones graves.

GUARDE TODAS LAS ADVERTENCIAS E INSTRUCCIONES PARA REFERENCIA FUTURA

La expresión "herramienta mecánica" en las advertencias se refiere a su herramienta mecánica alimentada por la red eléctrica (herramienta alámbrica) o su herramienta mecánica alimentada por baterías (herramienta inalámbrica).

1. Seguridad del área de trabajo

- Mantenga el área de trabajo limpia y bien iluminada.** Las áreas desordenadas u oscuras invitan a que se produzcan accidentes.
- No utilice herramientas mecánicas en atmósferas explosivas, como por ejemplo en presencia de líquidos, gases o polvos inflamables.** Las herramientas mecánicas generan chispas que pueden incendiar el polvo o los vapores.
- Mantenga alejados a los niños y a las personas que estén presentes mientras esté utilizando una herramienta mecánica.** Las distracciones pueden hacerle perder el control de la herramienta.

2. Seguridad eléctrica

- Los enchufes de las herramientas mecánicas deben coincidir con el tomacorriente. No modifique nunca el enchufe de ningún modo. No use enchufes adaptadores con herramientas**

mecánicas conectadas a tierra (puestas a tierra). Los enchufes no modificados y los tomacorrientes coincidentes reducirán el riesgo de sacudidas eléctricas.

- Evite el contacto del cuerpo con las superficies conectadas o puestas a tierra, tales como tuberías, radiadores, estufas y refrigeradores.** Hay un aumento del riesgo de sacudidas eléctricas si el cuerpo del operador se conecta o pone a tierra.
- No exponga las herramientas mecánicas a la lluvia o a condiciones mojadas.** La entrada de agua en una herramienta mecánica aumentará el riesgo de que se produzcan sacudidas eléctricas.
- No maltrate el cordón de energía. No use nunca el cordón para transportar la herramienta mecánica, tirar de ella o desenchufarla. Mantenga el cordón alejado del calor, el aceite, los bordes afilados o las piezas móviles.** Los cordones dañados o enganchados aumentan el riesgo de que se produzcan sacudidas eléctricas.
- Cuando utilice una herramienta mecánica en el exterior, use un cordón**

Advertencias generales de seguridad para herramientas mecánicas

- de extensión adecuado para uso a la intemperie.** La utilización de un cordón adecuado para uso a la intemperie reduce el riesgo de que se produzcan sacudidas eléctricas.
- f. Si es inevitable utilizar una herramienta mecánica en un lugar húmedo, utilice una fuente de energía protegida por un interruptor de circuito accionado por corriente de pérdida a tierra (GFCI).** El uso de un GFCI reduce el riesgo de sacudidas eléctricas.
- f. Vístase adecuadamente. No use ropa holgada ni alhajas holgadas. Mantenga el pelo, la ropa y los guantes alejados de las piezas móviles.** La ropa holgada, las alhajas holgadas o el pelo largo pueden quedar atrapados en las piezas móviles.
- g. Si se proporcionan dispositivos para la conexión de instalaciones de extracción y recolección de polvo, asegúrese de que dichas instalaciones estén conectadas y se usen correctamente.** El uso de dispositivos de recolección de polvo puede reducir los peligros relacionados con el polvo.

3. Seguridad personal

- a. Manténgase alerta, fíjese en lo que está haciendo y use el sentido común cuando esté utilizando una herramienta mecánica. No use una herramienta mecánica cuando esté cansado o bajo la influencia de drogas, alcohol o medicamentos.** Un momento de distracción mientras esté utilizando herramientas mecánicas podría causar lesiones corporales graves.
- h. No deje que la familiaridad obtenida con el uso frecuente de las herramientas le haga volverse complaciente e ignorar los principios de seguridad de las herramientas.** Una acción descuidada puede causar lesiones graves en una fracción de segundo.

4. Uso y cuidado de las herramientas mecánicas

- b. Use equipo de protección personal. Use siempre protección de los ojos.** El equipo de protección, como por ejemplo una máscara antipolvo, calzado de seguridad antideslizante, casco o protección de oídos, utilizado para las condiciones apropiadas, reducirá las lesiones corporales.
- a. No fuerce la herramienta mecánica. Use la herramienta mecánica correcta para la aplicación que desee realizar.** La herramienta mecánica correcta hará el trabajo mejor y con más seguridad a la capacidad nominal para la que fue diseñada.
- c. Evite el arranque accidental. Asegúrese de que el interruptor esté en la posición de apagado antes de conectar la herramienta a la fuente de energía y / o al paquete de batería, levantar la herramienta o transportarla.** Transportar herramientas mecánicas con un dedo en el interruptor o encender herramientas mecánicas que tengan el interruptor en la posición de encendido invita a que se produzcan accidentes.
- b. No use la herramienta mecánica si el interruptor no la enciende y apaga.** Toda herramienta mecánica que no se pueda controlar con el interruptor es peligrosa y debe ser reparada.
- d. Quite todas las llaves de ajuste o de tuerca antes de encender la herramienta mecánica.** Una llave de tuerca o de ajuste que se deje colocada en una pieza giratoria de la herramienta mecánica podría causar lesiones corporales.
- c. Desconecte el enchufe de la fuente de alimentación y/o retire el paquete de batería de la herramienta eléctrica, si es extraíble, antes de hacer cualquier ajuste, cambiar accesorios o almacenar herramientas eléctricas.** Dichas medidas preventivas de seguridad reducen el riesgo de arrancar accidentalmente la herramienta mecánica.
- e. No intente alcanzar demasiado lejos. Mantenga un apoyo de los pies y un equilibrio apropiados en todo momento.** Esto permite controlar mejor la herramienta mecánica en situaciones inesperadas.
- d. Guarde las herramientas que no esté usando fuera del alcance de los niños y no deje que personas que no estén familiarizadas con la herramienta mecánica o con estas instrucciones utilicen la herramienta.** Las herramientas mecánicas son peligrosas en manos de usuarios que no hayan recibido capacitación.
- e. Mantenga las herramientas eléctricas y**

Advertencias generales de seguridad para herramientas mecánicas

sus accesorios. Compruebe si hay piezas móviles desalineadas o atoradas, si hay piezas rotas y cualquier otra situación que pueda afectar al funcionamiento de la herramienta eléctrica. Si la herramienta eléctrica está dañada, haga que sea reparada antes de utilizarla. Muchos accidentes son causados por herramientas mecánicas mantenidas deficientemente.

- f. Mantenga las herramientas de corte afiladas y limpias.** Es menos probable que las herramientas de corte mantenidas apropiadamente, con bordes de corte afilados, se atoren, y dichas herramientas son más fáciles de controlar.
- g. Utilice la herramienta mecánica, los accesorios, las brocas de la herramienta, etc., de acuerdo con estas instrucciones, teniendo en cuenta las condiciones de trabajo y el trabajo que se vaya a realizar.** El uso de la herramienta mecánica para operaciones distintas a aquéllas para las que fue diseñada podría causar una situación peligrosa.
- h. Mantenga secos, limpios y libres de aceite y grasa los mangos y las superficies de agarre.** Si están resbalosos, los mangos y las superficies de agarre no permiten un manejo y un control seguros de la herramienta en situaciones inesperadas.

5. Uso y cuidado de las herramientas alimentadas por baterías

- a. Recargue las baterías solamente con el cargador especificado por el fabricante.** Un cargador que es adecuado para un tipo de paquete de batería puede crear un riesgo de incendio cuando se utiliza con otro paquete de batería.
- b. Utilice las herramientas mecánicas solamente con paquetes de batería designados específicamente.** El uso de cualquier otro paquete de batería puede crear un riesgo de lesiones e incendio.
- c. Cuando el paquete de batería no se esté usando, manténgalo alejado de otros objetos metálicos, tales como sujetapapeles, monedas, llaves, clavos, tornillos u otros objetos metálicos pequeños que pueden hacer una conexión de un terminal a otro.** Si se cortocircuitan los terminales de la batería

uno con otro, se pueden causar quemaduras o un incendio.

- d. En condiciones abusivas, es posible que se eyecte líquido de la batería. Evite el contacto. Si se produce un contacto accidental, enjuáguese con agua. Si el líquido entra en contacto con los ojos, obtenga además ayuda médica.** El líquido que salga eyectado de la batería puede causar irritación o quemaduras.
- e. No utilice un paquete de batería o una herramienta que hayan sido dañados o modificados.** Es posible que las baterías dañadas o modificadas exhiban un comportamiento impredecible que cause un incendio, una explosión o riesgo de lesiones.
- f. No exponga un paquete de batería o una herramienta a un fuego o una temperatura excesiva.** Es posible que la exposición a un fuego o una temperatura superior a 265 °F cause una explosión.
- g. Siga todas las instrucciones de carga y no cargue el paquete de batería ni la herramienta fuera del intervalo de temperatura especificado en las instrucciones.** Es posible que realizar una carga incorrectamente o a temperaturas que estén fuera del intervalo especificado dañe la batería y aumente el riesgo de incendio.

6. Servicio de ajustes y reparaciones

- a. Haga que su herramienta mecánica reciba servicio de un técnico de reparaciones calificado, utilizando únicamente piezas de repuesto idénticas.** Esto asegurará que se mantenga la seguridad de la herramienta mecánica.
- b. No haga nunca servicio de ajustes y reparaciones de paquetes de batería dañados.** El servicio de ajustes y reparaciones de los paquetes de batería deberá ser realizado únicamente por el fabricante o por proveedores de servicio autorizados.

Normas de seguridad para sierras caladoras sin cordón

- a. **Agarre la herramienta eléctrica por las superficies de agarre con aislamiento cuando realice una operación en la que el accesorio de corte pueda entrar en contacto con cables ocultos.** El accesorio de corte que entre en contacto con un cable que tenga corriente puede hacer que las partes metálicas de la herramienta eléctrica que estén al descubierto tengan corriente y podrían causar una descarga eléctrica al operador.
- b. **Use abrazaderas u otro modo práctico de sujetar y soportar la pieza de trabajo en una plataforma estable.** Si se sujeta la pieza de trabajo con la mano o contra el cuerpo, se crea una situación inestable que podría causar pérdida de control.
- c. **No taladre, rompa, ni haga trabajo de sujeción en paredes existentes ni en otras áreas ciegas donde pueda haber cables eléctricos.** Si esta situación es inevitable, desconecte todos los fusibles o cortacircuitos que alimentan este sitio de trabajo.
- d. **Desconecte el paquete de baterías de la herramienta o ponga el interruptor en la posición fijada o de apagado antes de hacer cualquier ensamblaje, ajustes o cambiar accesorios.** Dichas medidas preventivas de seguridad reducen el riesgo de arrancar la herramienta accidentalmente.
- e. **Nunca deje el gatillo fijo en la posición "ON" (encendido). Antes de introducir el paquete de baterías, asegúrese de que el cierre del gatillo esté en la posición de apagado.** Un arranque accidental podría causar lesiones.
- f. **Mantenga las manos alejadas del área de corte. No ponga la mano debajo del material que se está cortando.** La proximidad de la hoja a la mano queda oculta a la vista.
- g. **Mantenga las manos alejadas del espacio entre la caja de engranajes y el soporte de la hoja de sierra.** El soporte de la hoja de vaivén puede pellizcarle los dedos.
- h. **No utilice hojas desfiladas ni dañadas.** Una hoja doblada puede romperse fácilmente o causar retroceso.
- i. **Antes de comenzar el corte, encienda la herramienta y deje que la hoja alcance toda su velocidad.** La herramienta puede chirriar o vibrar si la velocidad de la hoja es demasiado lenta al comienzo del corte y posiblemente puede experimentar retroceso.
- j. **Fije el material antes de cortar. Nunca lo tenga en la mano ni sobre las piernas.** El material pequeño o delgado puede curvarse o vibrar con la hoja, causando pérdida de control.
- k. **Asegúrese de que todos los tornillos de ajuste y el soporte de la hoja estén apretados antes de hacer un corte.** Si los tornillos de ajuste y los soportes están flojos, pueden hacer que la herramienta o la hoja resbale, pudiendo producirse pérdida de control.
- l. **Al quitar la hoja de la herramienta, evite el contacto con la piel y use guantes protectores adecuados al agarrar la hoja o el accesorio.** Los accesorios pueden estar calientes después del uso prolongado.

Advertencias de seguridad adicionales

Un GFCI y los dispositivos de protección personal, como guantes de goma y calzado de goma de electricista, mejorarán más su seguridad personal.

Mantenga los mangos secos, limpios y libres de aceite y grasa. Las manos resbalosas no pueden controlar de modo seguro la herramienta mecánica.

Desarrolle un programa de mantenimiento periódico de la herramienta. Cuando limpie una herramienta, tenga cuidado de no desmontar ninguna de sus partes, ya que los cables internos podrían reubicarse incorrectamente o pellizcarse, o los resortes de retorno de los protectores de seguridad podrían montarse incorrectamente. Ciertos agentes de limpieza, tales como gasolina, tetracloruro de carbono, amoníaco, etc., podrían dañar las piezas de plástico.

Asegúrese de que el interruptor esté en la posición de apagado antes de introducir el paquete de batería. Si se introduce el paquete de batería en herramientas mecánicas que tengan el interruptor en la posición de encendido, se invita a que se produzcan accidentes.

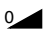


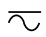

⚠ ADVERTENCIA Cierta **polvo generado por el lijado, aserrado, amolado y taladrado mecánicos, y por otras actividades de construcción, contiene agentes químicos que se sabe que causan cáncer, defectos de nacimiento u otros daños sobre la reproducción. Algunos ejemplos de estos agentes químicos son:**

- Plomo de pinturas a base de plomo,
- Sílice cristalina de ladrillos y cemento y otros productos de mampostería, y
- Arsénico y cromo de madera tratada químicamente.

Su riesgo por causa de estas exposiciones varía, dependiendo de con cuánta frecuencia realice este tipo de trabajo. Para reducir su exposición a estos agentes químicos: trabaje en un área bien ventilada y trabaje con equipo de seguridad aprobado, como por ejemplo máscaras antipolvo que estén diseñadas especialmente para impedir mediante filtración el paso de partículas microscópicas.

Símbolos

Importante: Es posible que algunos de los símbolos siguientes se usen en su herramienta. Por favor, estúdielos y aprenda su significado. La interpretación adecuada de estos símbolos le permitirá utilizar la herramienta mejor y con más seguridad.

| Símbolo | Désignación / Explicación |
|---|---|
| V | Volt (tensión) |
| Ah | Amperios-hora (medición de la capacidad de la batería) |
| A | Ampere (corriente) |
| Hz | Hertz (frecuencia, ciclos por segundo) |
| W | Watt (potencia) |
| kg | Kilogramo (peso) |
| min | Minuto (tiempo) |
| s | Segundo (tiempo) |
| ∅ | Diámetro (tamaño de las brocas taladradoras, muelas, etc) |
| n_0 | Velocidad sin carga (velocidad rotacional sin carga) |
| n | Velocidad nominal (máxima velocidad obtenible) |
| .../min | Revoluciones o alternación por minuto (revoluciones, golpes, velocidad de superficie, órbitas, etc., por minuto) |
| 0 | Posición "off" (velocidad cero, par motor cero...) |
| 1, 2, 3, ... I, II, III, | Graduaciones del selector (graduaciones de velocidad, par motor o posición. Un número más alto significa mayor velocidad) |
|  | Selector infinitamente variable con apagado (la velocidad aumenta desde la graduación de 0) |
|  | Flecha (Acción en la dirección de la flecha) |
|  | Corriente alterna (tipo o una característica de corriente) |
|  | Corriente continua (tipo o una característica de corriente) |
|  | Corriente alterna o continua (tipo o una característica de corriente) |
|  | Construcción de clase II (designa las herramientas de construcción con aislamiento doble) |
|  | Terminal de toma de tierra (terminal de conexión a tierra) |

Símbolos

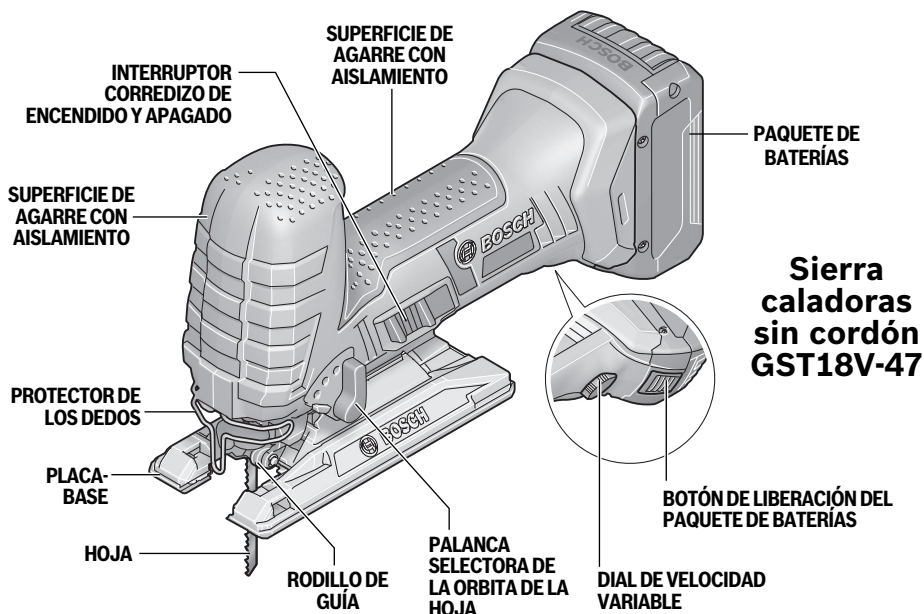
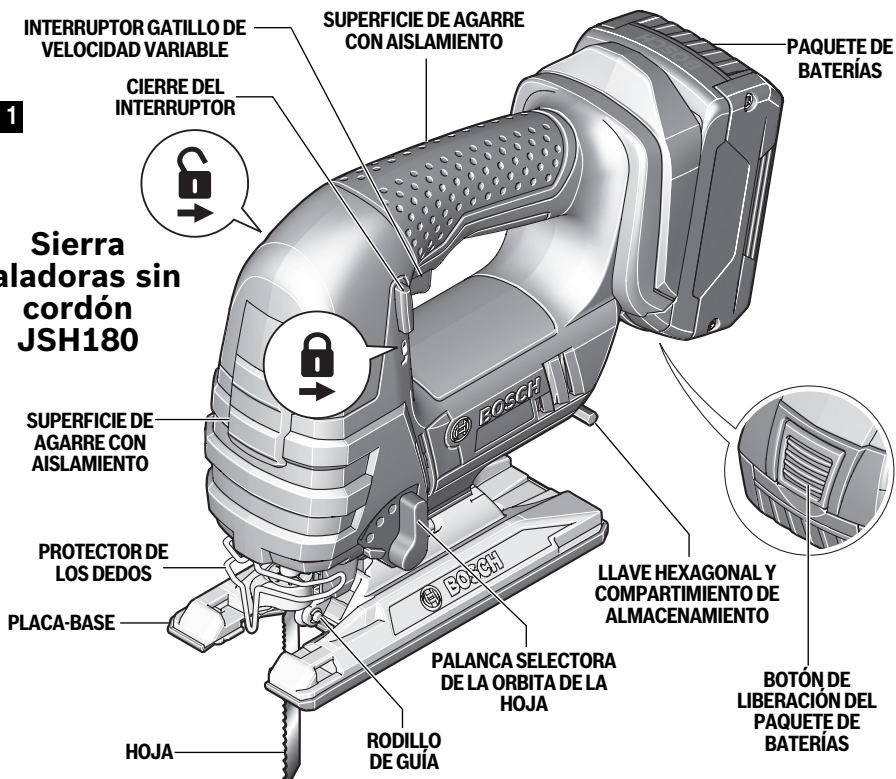
Importante: Es posible que algunos de los símbolos siguientes se usen en su herramienta. Por favor, estúdielos y aprenda su significado. La interpretación adecuada de estos símbolos le permitirá utilizar la herramienta mejor y con más seguridad.

| Símbolo | Désignación / Explicación |
|---|---|
|  | Alerta al usuario para que lea el manual. |
|  | Alerta al usuario para que use protección de los ojos. |
|  | Este símbolo indica que esta herramienta está catalogada por Underwriters Laboratories. |
|  | Este símbolo indica que este componente está reconocido por Underwriters Laboratories. |
|  | Este símbolo indica que Underwriters Laboratories ha catalogado esta herramienta indicando que cumple con las normas estadounidenses y canadienses. |
|  | Este símbolo indica que esta herramienta está catalogada por la Canadian Standards Association. |
|  | Este símbolo indica que la Canadian Standards Association ha catalogado esta herramienta indicando que cumple con las normas estadounidenses y canadienses. |
|  | Este símbolo indica que Intertek Testing Services ha catalogado esta herramienta indicando que cumple con las normas estadounidenses y canadienses. |
|  | Este símbolo indica que esta herramienta cumple con la norma mexicana oficial (NOM). |
|  | Designa el programa de reciclaje de baterías de Li-ion. |
|  | Designa el programa de reciclaje de baterías de Ni-Cd. |

Descripción funcional y especificaciones

FIG. 1

Sierra caladoras sin cordón JSH180



Descripción funcional y especificaciones

| | | |
|--------------------------------|----------------------------|------------------------|
| Número de modelo | GST18V-47 | JSH180 |
| Tensión nominal | 18 V ⁻⁻⁻ | 18 V ⁻⁻⁻ |
| Velocidad sin carga | n_0 550–2 700/min | n_0 0–2 700/min |
| Capacidades máximas | | |
| Longitud de carrera | 1 pulg. (25,4 mm) | 1 pulg. (25,4 mm) |
| Madera | 4-23/32 pulg. (120 mm) | 4-23/32 pulg. (120 mm) |
| Aluminio | 13/16 pulg. (20,5 mm) | 13/16 pulg. (20,5 mm) |
| Acero suave | 5/16 pulg. (8 mm) | 5/16 pulg. (8 mm) |
| Temperatura ambiente permitida | | |
| – durante el proceso de carga | 32...113 °F (0...+45 °C) | |
| – durante la utilización | –4...122 °F (–20...+50 °C) | |
| – durante la almacenamiento | 32...122 °F (0...+50 °C) | |

Paquetes de batería/Cargadores de baterías:

Sírvase consultar la lista de baterías/cargadores incluidas con su herramienta.

Ensamblaje

⚠ ADVERTENCIA Desconecte el paquete de baterías de la herramienta o ponga el interruptor en la posición fijada o de apagado antes de hacer cualquier ensamblaje, ajustes o cambiar accesorios. Dichas medidas preventivas de seguridad reducen el riesgo de arrancar la herramienta accidentalmente.

Introducción y suelta del paquete de baterías

Deslice el paquete de baterías cargado al interior de la carcasa hasta que dicho paquete se acople en su sitio.

La herramienta está equipada con un pestillo de fijación secundario para impedir que dicho paquete se caiga y salga completamente del mango, en caso de que se afloje debido a la vibración.

Para quitar el paquete de baterías, oprima el botón de liberación del paquete de baterías y deslice dicho paquete hacia delante (Fig. 1).

Oprima de nuevo el botón de liberación del paquete de baterías y deslice dicho paquete completamente hacia afuera hasta sacarlo de la carcasa de la herramienta.

Instalación y remoción de la hoja

⚠ PRECAUCION Para prevenir daños, no gire la palanca eyectora de la hoja cuando no haya una hoja en la abrazadera de la hoja ni cuando inserte la hoja.

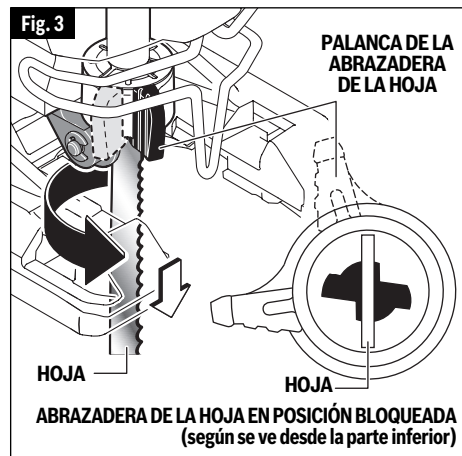
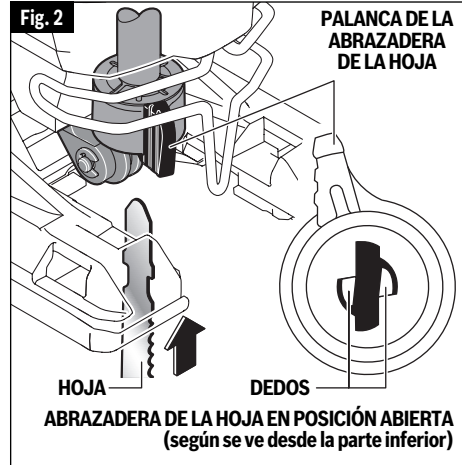
INSTALACIÓN DE LA HOJA

Inserte la hoja de sierra (con los dientes en el sentido de corte) en la ranura ubicada en la abrazadera de la hoja hasta que la palanca eyectora de la hoja rote hacia la IZQUIERDA, indicando que la abrazadera se ha acoplado. (Cuando inserte la hoja de sierra, el dorso de la hoja debe descansar en la ranura del rodillo de guía Fig. 2.)

EYECCIÓN DE LA HOJA

La herramienta se debe sujetar de manera que la hoja sea eyectada de manera segura. Para retirar la hoja de sierra, rote la palanca eyectora de la hoja hacia la DERECHA hasta el tope central; esto libera y eyecta la hoja de sierra (Fig. 3).

REAJUSTE DE LA ABRAZADERA DE LA HOJA



Hay dos situaciones en las cuales es necesario reajustar la abrazadera de la hoja:

REAJUSTE tipo A: Si la palanca de eyección de la hoja se rota inapropiadamente, los “dedos” ubicados en el interior de la abrazadera podrían resbalar al interior de la ranura del inserto para la hoja. Para reajustar la abrazadera:

Paso 1: Utilizando un destornillador, empuje hacia abajo sobre los dedos de la abrazadera de la hoja (según se ve desde la parte inferior de la sierra

Ensamblaje

caladora), hasta que se pueda rotar la abrazadera.

Paso 2: Rote la palanca eyectora de la hoja hacia la DERECHA hasta que quede fija en su sitio.

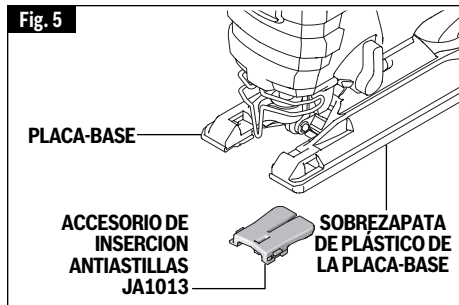
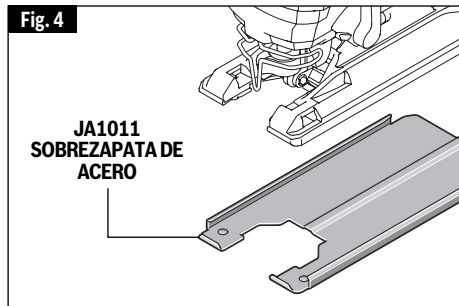
Ahora la abrazadera estará lista para utilizarse.

REAJUSTE tipo B: Si los dos dedos ubicados en el interior de la abrazadera de la hoja son empujados accidentalmente demasiado hacia el interior del émbolo, impedirán la inserción de una hoja. Para llevar los dedos de vuelta a sus posiciones de corrección:

Paso 1: Gire la palanca eyectora de la hoja hacia la DERECHA (según se ve desde la parte inferior de la sierra caladora).

Paso 2: Continúe la rotación hasta que los dedos se acoplen a presión en la posición abierta correcta.

Ahora la abrazadera estará lista para utilizarse.



Instalación de la sobrepapata de acero JA1011

La herramienta está equipada con una sobrepapata protectora de plástico que protege las superficies más finas. Se vende por separado una sobrepapata de acero extrafuerte opcional para realizar trabajo en condiciones difíciles.

Para utilizar esta función, inserte el tubo de extracción en la placa-base (Fig. 4).

Accesorio de inserción antiastillas



Para minimizar el astillamiento de la superficie superior del material que se esté cortando, coloque el accesorio de inserción antiastillas en la abertura para la hoja ubicada en la sobrepapata de plástico de la placa-base (Fig. 5).

Nota: Este accesorio de inserción sólo funciona con hojas que tengan lados amolados, como la T301CD, T101B, T101D y T101DP.

Instrucciones de funcionamiento

⚠ ADVERTENCIA Desconecte el paquete de baterías de la herramienta o ponga el interruptor en la posición fijada o de apagado antes de hacer cualquier ensamblaje, ajustes o cambiar accesorios. Dichas medidas preventivas de seguridad reducen el riesgo de arrancar la herramienta accidentalmente.

Cierre del interruptor (Modelo JSH180 solamente)

El cierre del interruptor está diseñado para evitar los arranques accidentales. Para accionar el interruptor, oprima el botón de fijación del interruptor con el dedo pulgar hasta el símbolo de desbloqueo . Para bloquear el interruptor, oprima el botón de fijación del interruptor hasta el símbolo de bloqueo  (Fig. 1).

Interruptor gatillo de velocidad variable controlada (Modelo JSH180 solamente)

La herramienta está equipada con un interruptor gatillo de velocidad variable. La herramienta se puede encender (posición "ON") o apagar (posición "OFF") apretando o soltando el gatillo. La velocidad se puede ajustar desde las CPM mínimas hasta las CPM máximas indicadas en la placa del fabricante por medio de la presión que usted ejerce sobre el gatillo. Ejerza más presión para aumentar la velocidad y disminuya la presión para reducir la velocidad (Fig. 1).

Dial de velocidad variable (Modelo GST18V-47 solamente)

La sierra caladora está equipada con un dial de velocidad variable. La velocidad de carrera de la hoja puede ajustarse durante la operación de corte preajustando el dial en cualquiera de los seis números o entre ellos (Fig. 1).

Interruptor corredizo de encendido y apagado (Modelo GST18V-47 solamente)

La herramienta se enciende mediante el botón del interruptor ubicado en un lado de la caja del motor. El interruptor se fija en la posición de encendido, lo

cual resulta práctico para el funcionamiento continuo (Fig. 1).

PARA ENCENDER LA HERRAMIENTA, deslice el botón del interruptor hacia adelante.

PARA DESBLOQUEAR EL INTERRUPTOR, deslice el botón del interruptor hacia atrás.

Luz de trabajo

Esta herramienta está equipada con una luz de trabajo para ofrecer una mejor visibilidad durante su utilización. Al encender la herramienta, la luz se encenderá. Al apagar la herramienta, la luz se apagará.

Soplador de virutas

Esta sierra caladora está equipada con un soplador "siempre encendido" para ayudar a mantener visible la línea de corte prevista. Al encender la herramienta, el soplador se encenderá. Al apagar la herramienta, el soplador se apagará.

Protección contra la descarga profunda

La batería de iones de litio está protegida contra la descarga profunda por la "protección con células electrónicas" (Electronic Cell Protection, ECP). Cuando la batería esté vacía, la herramienta se apagará por medio de un circuito protector.

Protección contra sobrecargas dependiente de la temperatura

Dans des conditions d'emploi normales, l'outil ne peut pas être en état de surcharge. Cependant, si l'outil à commande mécanique est surchargé ou n'est pas maintenu à l'intérieur de la plage de température des piles permise, la vitesse est réduite ou l'outil s'éteint alors. Si la vitesse de l'outil est réduite automatiquement dans une telle

Instrucciones de funcionamiento

situation, l'outil recommencera à fonctionner à sa vitesse maximum dès que la température permise des piles sera atteinte ou après que la charge aura été réduite. En cas de mise hors tension automatique, éteignez l'outil de façon normale, laissez les piles refroidir, puis remettez l'outil à commande mécanique en marche de la façon normale (Fig. 1).

Freno

Cuando se suelta el gatillo, éste activa el freno eléctrico para detener la hoja rápidamente. Este dispositivo es especialmente útil cuando se hacen cortes repetitivos.

Palanca selectora de la órbita de la hoja

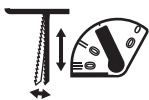
Puede lograrse una eficiencia de corte máxima ajustando la palanca selectora de la órbita de la hoja para convenir con el material que se esté cortando.

El cuadro siguiente le ayudará a determinar qué posición debe usar para la aplicación que desea realizar. La finalidad de este cuadro es servir solamente como recomendación y deben realizarse primero cortes de prueba en material de desecho para determinar la mejor posición.

Posición 0



Materiales duros, como metales o chapas metálicas finas. Posición usada con cuchillas, hojas de filo de grano abrasivo, en trabajo de raspado y con hojas de corte hacia abajo.



Posición 1

Materiales blandos donde se realizan cortes más limpios o trabajo de contorno delicado.



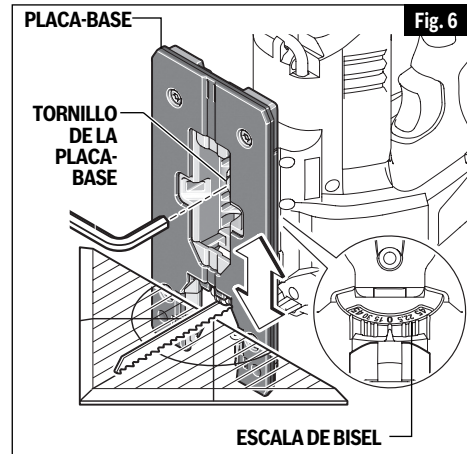
Posición 2

Materiales de densidad intermedia, como maderas más duras o tablero de partículas de madera.



Posición 3

Materiales blandos, como madera, plásticos, etc., y cuando el corte rápido sea más importante que un



corte limpio.

Ajuste del ángulo de la placa-base (Modelo JSH180 solamente)

La placa-base puede inclinarse para permitir realizar cortes en ángulo de hasta 45° en cualquier sentido.

Nota: Antes de ajustar la placa-base, retire el accesorio de inserción antiastillas si se han utilizado.

Para ajustar la placa-base, afloje el tornillo con la llave Allen suministrada, deslice la placa-base ligeramente hacia adelante, hacia la parte delantera de la herramienta, y luego gírela hasta el ángulo deseado. Las ranuras de retén sujetarán la placa-base firmemente a 45° y hay marcas de posición adicionales para ángulos de 15° y 30°. Pueden ajustarse ángulos intermedios con un transportador de ángulos. Después de posicionar la placa-base, apriete firmemente el tornillo (Fig. 6).

Corte al ras

Para permitir que la sierra haga un corte perpendicular cerca de una superficie vertical delante de la sierra, la placa-base se podrá reposicionar de la manera siguiente:

Afloje el tornillo, mueva la placa-base de vuelta a la ranura de alineación a 0° y apriete firmemente el tornillo. Tenga en cuenta que cuando la placa-base se retrae de esta manera, solamente es

Instrucciones de funcionamiento

posible realizar cortes a 90°, y que la guía de corte opcional y la guía del accesorio de inserción antiastillas no pueden utilizarse.

Consejos para la herramienta

⚠ ADVERTENCIA **A g a r r e siempre la sierra por las superficies de agarre con aislamiento ubicadas en la parte delantera de la herramienta y el mango con interruptor.** Si no se agarra la herramienta por la superficie de agarre con aislamiento, es posible que el resultado sea descargas eléctricas o electrocución si se aserra en un área ciega donde haya cables con corriente.

Asegúrese siempre de que las piezas de trabajo más pequeñas estén sujetas firmemente a un banco u otro soporte. Los paneles más grandes pueden sujetarse en su sitio mediante abrazaderas sobre un banco o caballetes de aserrar.

Para comenzar un corte, marque claramente la línea de corte y apoye la parte delantera de la placa-base sobre la pieza de trabajo. Accione el interruptor y mueva la hoja hacia el interior de la pieza de trabajo utilizando solamente suficiente presión hacia adelante para mantener la hoja cortando uniformemente. No fuerce la sierra, ya que esto no hará que corte más rápidamente; deje que la hoja haga el trabajo.

Al aserrar metal o materiales similares, aplique refrigerante/ lubricante a lo largo de la línea de corte.

El uso de una hoja de dientes inversos, tal como la Bosch T101BR, requiere que el ajuste orbital esté en "0" y que se aplique presión hacia abajo en la parte superior de la sierra.

Selección de hojas

- Seleccione las hojas cuidadosamente, ya que la capacidad de la sierra caladora para hacer los cortes más rápidos, seguir curvas cerradas, lograr el acabado más liso y/o maximizar la duración de la hoja está relacionada directamente con el tipo de hoja utilizado.

- Use siempre una hoja que sea apropiada para la tarea de corte.
- Haga siempre un corte de prueba en un pedazo de material de desecho.
- Para cortar curvas pronunciadas, lo mejor es usar una hoja estrecha o de contornear.
- La mayoría de las hojas de sierra caladora tienen dientes orientados hacia arriba, lo cual ayuda a tirar de la sierra caladora contra la pieza de trabajo y minimiza la vibración. Las hojas con dientes orientados hacia arriba producen un corte limpio en la parte de debajo de la pieza de trabajo.
- Las hojas con dientes orientados hacia abajo (hojas con dientes inversos) se pueden utilizar para producir un corte limpio en la parte de arriba de la pieza de trabajo (el lado que está orientado hacia la placa-base de la sierra caladora), como por ejemplo cuando se corta desde la parte de arriba en un tablero de mostrador ya instalado. Cuando se utilicen hojas con dientes inversos, se debe aplicar fuerza hacia abajo a la sierra caladora.
- Las hojas con dientes que están orientados directamente hacia afuera (en lugar de hacia arriba o hacia abajo) permiten realizar cortes libres de astillas en ambos lados de la pieza de trabajo. Cuando se utilicen dichas hojas, se debe aplicar fuerza hacia abajo a la sierra caladora.
- Los siguientes tipos de hojas se deben utilizar únicamente con el ajuste orbital O:
 1. Hojas con dientes que están orientados hacia abajo (hojas con dientes inversos).
 2. Hojas con dientes que están orientados directamente hacia fuera en lugar de hacia arriba o hacia abajo.
 3. Hojas con puntas de carburo.
 4. Hojas con borde granulado.

Corte mediante descenso vertical

El corte mediante descenso vertical es útil y ahorra tiempo al hacer aberturas bastas en materiales más blandos. No es

Instrucciones de funcionamiento

necesario hacer un agujero para un corte interior o de bolsillo. La hoja más larga que se debe utilizar para realizar cortes mediante descenso vertical es de 3-1/8 pulgadas (80 mm). La placa-base se debe ajustar a la posición de 0°.

Trace líneas para la abertura, agarre la sierra firmemente e inclínela hacia adelante para que la punta de la base de la sierra esté apoyada sobre la pieza de trabajo, pero con la hoja bien alejada de la pieza de trabajo. Encienda la herramienta, hágala funcionar a la máxima velocidad y luego baje muy gradualmente la hoja (Fig. 7).

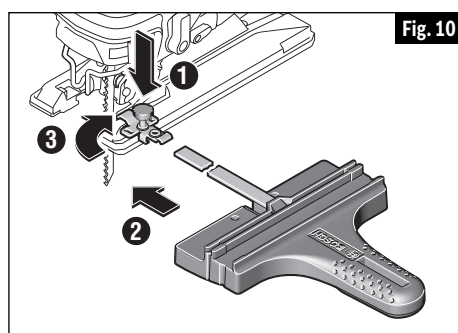
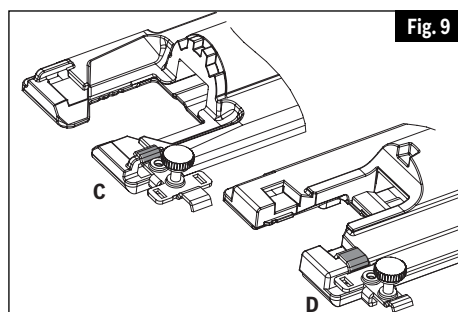
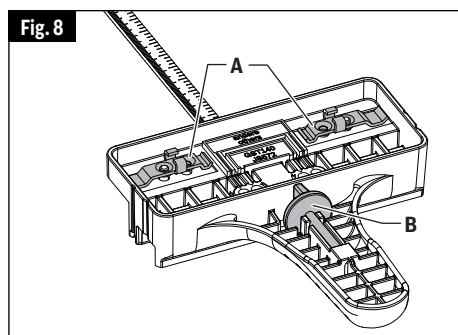
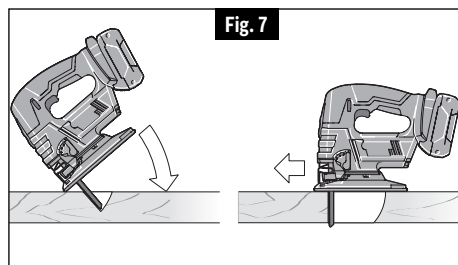
Cuando haga contacto, continúe ejerciendo presión hacia abajo sobre la punta de la base de la sierra, haciendo pivotar la sierra lentamente como una bisagra hasta que la hoja corte y la base se apoye horizontalmente sobre la pieza de trabajo. Luego, aserre hacia adelante siguiendo la línea de corte. No recomendamos el corte mediante descenso vertical con una hoja para desplazamiento continuo. No intente cortar mediante descenso vertical en materiales duros como por ejemplo acero.

Para hacer esquinas muy pronunciadas, corte hasta la esquina y luego retroceda ligeramente antes de redondear la esquina. Después de completar la abertura, regrese a cada esquina y córtela desde el sentido contrario para completar el ángulo recto.

JA1010 Guía de corte circular y paralelo (vendido por separado)

La JA1010 se utiliza para realizar cortes rectos y de círculos de manera rápida y precisa. Incluye la guía, dos abrazaderas **A** para sujetar la guía a la sierra caladora y un pasador central **B** para guiar los cortes de círculos. Las abrazaderas y el pasador centrador se pueden almacenar en la guía (Fig. 8).

Un extremo de la abrazadera se utiliza para sujetar la barra de la guía a las sierras caladoras que tienen partes superiores estrechas en sus ranuras de montaje de la placa-base (**C**) y el otro extremo se utiliza para sujetar la barra de la guía a las sierras caladoras que tienen partes superiores anchas en sus ranuras



de montaje de la placa base (**D**) (Fig. 9).

Cuando sea posible, sujete la barra a la sierra caladora utilizando ambas abrazaderas para brindar un mejor agarre y una mayor precisión.

Instrucciones de funcionamiento

INSTALACIÓN DE LA GUÍA EN UNA SIERRA CALADORA

1. Oriente la abrazadera de la hoja de manera que el extremo apropiado esté colocado sobre el pie de la sierra caladora desde cualquiera de los dos lados de la herramienta.
2. Inserte la barra de la guía a través de una abrazadera y luego a través de las ranuras provistas en el pie, con el tope-guía de la guía orientado correctamente para la aplicación prevista, corte paralelo o corte de un círculo. (Si es posible, coloque una segunda abrazadera sobre la barra desde el lado opuesto de la sierra caladora.)
3. Coloque el pomo o los pomos en el lado apropiado de la(s) abrazadera(s) y apriete firmemente el pomo o los pomos en la(s) abrazadera(s) (Fig. 10).

CORTE PARALELO

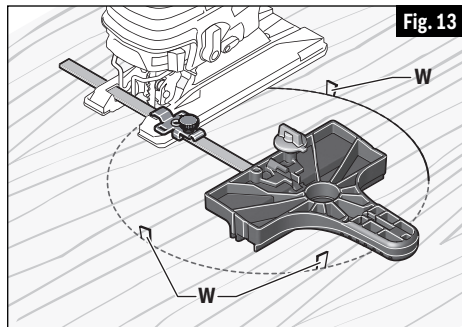
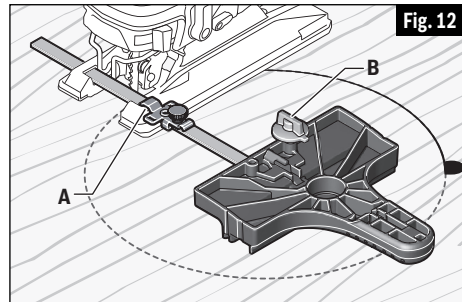
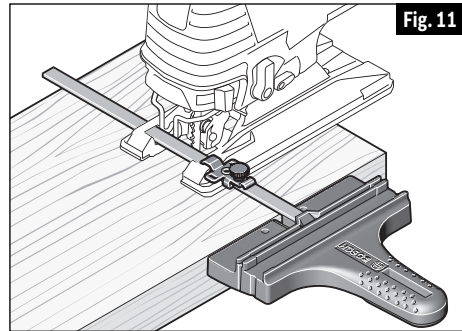
Se pueden hacer cortes paralelos de 5/8 de pulgada (16 mm) a 6 pulgadas (170 mm) a hacia el interior desde el borde de la pieza de trabajo.

1. La superficie del tope-guía de la guía se debe posicionar A LO LARGO de la pieza de trabajo (Fig. 11)
2. Enganche la(s) abrazadera(s) a la placa-base, ajuste el tope-guía a la anchura deseada y coloque el pomo o los pomos de fijación en el lado apropiado de la(s) abrazadera(s)
3. Apriete firmemente el pomo o los pomos de fijación en la(s) abrazadera(s) (Fig. 11)
4. Inserte el enchufe de la sierra caladora en la fuente de alimentación, sujete firmemente la sierra, comprima el gatillo y empuje lentamente la sierra hacia delante.

CORTE DE CÍRCULOS

Se pueden hacer cortes de círculos de 5 pulgadas (127 mm) a 16-1/2 pulgadas (420 mm) de diámetro.

1. Determine el punto central del círculo deseado.
2. Taladre un agujero central de 3/16 de pulgada (5 mm) en la pieza de trabajo 7/8" (23 mm) profundidad. (Para lograr una mejor precisión, taladre el agujero utilizando una



prensa taladradora, si es posible.)

3. Taladre o haga un corte por inmersión cerca del borde del círculo, apague la sierra y desconecte el paquete de batería de la herramienta.
4. Inserte la barra de la guía a través de una abrazadera y luego a través de las ranuras provistas en el pie, desde cualquiera de los dos lados del pie, (Fig. 12). (Si es posible, coloque una segunda abrazadera sobre la barra desde el lado opuesto de la sierra caladora.)
5. Retire el pasador de guía B del extremo de la guía y empuje el pasador a través del agujero

Instrucciones de funcionamiento

- apropiado provisto en la guía y luego al interior del agujero central de la pieza de trabajo. (Cuando la guía se utilice con una sierra caladora Bosch JS572 – o con la sierra caladora inalámbrica JSH180/GST18V-47 – se deberán usar los agujeros etiquetados para la JS572.) En el caso de otras sierras caladoras, se deberá usar uno de los otros agujeros.
- Mida la distancia desde el centro del agujero hasta el radio del círculo deseado. Ajuste esa medida según sea necesario para tener en cuenta la anchura de la hoja:
 - Cuando corte un agujero, corte desde el interior del radio previsto.
 - Cuando corte ruedas o discos, corte desde el exterior del radio previsto.
 - Enganche la(s) abrazadera(s) a la placa-base y posicione la guía respecto a esa medida de radio ajustada.
 - Coloque el pomo o los pomos de fijación en el lado apropiado de la(s) abrazadera(s) y apriete firmemente el pomo o los pomos de fijación en la(s) abrazadera(s) (Fig. 10).
 - Inserte el paquete de batería en la sierra caladora, sujete firmemente la sierra, comprima el gatillo y empuje lentamente la sierra hacia delante.

CONSEJOS PARA CORTAR CÍRCULOS:

- Coloque cuñas pequeñas **W** en el corte de la manera que se muestra en la Fig. 13, para impedir que el círculo interno se extienda cuando se esté cerca del final del corte.
- Utilice una hoja de sierra caladora gruesa, tal como la Bosh T101TP o la T144DP, siempre que sea posible.
- Asegúrese de que el ajuste orbital de la sierra caladora esté en 0 (cero)
- Corte lentamente para que la hoja se mantenga recta en el corte.

Mantenimiento

⚠ ADVERTENCIA Para evitar accidentes, desconecte siempre el paquete de batería de la herramienta antes de realizar servicio de ajustes y reparaciones o limpieza.

Servicio

⚠ ADVERTENCIA NO HAY PIEZAS EN EL INTERIOR QUE PUEDAN SER AJUSTADAS O REPARADAS POR EL USUARIO. El mantenimiento preventivo realizado por personal no autorizado puede dar lugar a la colocación incorrecta de cables y componentes internos que podría constituir un peligro serio. Recomendamos que todo el servicio de las herramientas sea realizado en un Centro de servicio de fábrica Bosch o en una Estación de servicio Bosch autorizada. **TECNICOS DE REPARACIONES:** Desconecten la herramienta y/o el cargador de la fuente de energía antes de realizar servicio de ajustes y reparaciones.

Baterías

Esté alerta a los paquetes de baterías que estén aproximándose al final de su vida útil. Si observa una disminución del rendimiento de la herramienta o un tiempo de funcionamiento significativamente más corto entre cargas, entonces ha llegado el momento de cambiar el paquete de baterías. Si no se hace esto, el resultado puede ser que la herramienta funcione incorrectamente o que el cargador se dañe.

Lubricación de las herramientas

Su herramienta Bosch ha sido lubricada adecuadamente y está lista para la utilización.

Mantenimiento

Rodamientos

Los rodamientos que se vuelven ruidosos (debido a la pesada carga o al corte de materiales muy abrasivos) deben ser sustituidos inmediatamente para evitar el sobrecalentamiento o el fallo del motor.

Motores

El motor de la herramienta ha sido diseñado para muchas horas de servicio fiable. Para mantener un rendimiento óptimo del motor, recomendamos que éste sea examinado cada seis meses. Sólo se debe usar un motor de repuesto Bosch genuino diseñado especialmente para la herramienta.

Limpieza

⚠ PRECAUCIÓN Ciertos agentes de limpieza y disolventes dañan las piezas de plástico. Algunos de estos son: gasolina, tetracloruro de carbono, disolventes de limpieza clorados, amoníaco y detergentes domésticos que contienen amoníaco.

Las aberturas de ventilación y las palancas de interruptor deben mantenerse limpias y libres de materias extrañas. No intente limpiar introduciendo objetos puntiagudos a través de las aberturas.

LIMPIEZA DEL PORTAHOJA

Limpie regularmente el portahoja de sierra. Para hacer esto, retire la hoja de sierra de la herramienta y golpee ligeramente la placa-base sobre una superficie nivelada.

Rocíe regularmente aceite penetrante sobre el portahoja de sierra.

Compruebe regularmente el rodillo de guía. Si está desgastado, debe ser reemplazado a través de un Centro de Servicio de Fábrica Bosch autorizado.

Lubrique ocasionalmente el rodillo de guía con una gota de aceite.

Accesorios y aditamentos

⚠ ADVERTENCIA Es posible que el uso de cualquier otro aditamento o accesorio no especificado en este manual cree un peligro.

Almacene los accesorios en un ambiente seco y templado para evitar la corrosión y el deterioro.

| Equipo estándar | Accesorios opcionales |
|--|---|
| <ul style="list-style-type: none"> - Accesorio de inserción antiastillas JA1013 - Hoja de sierra caladora con vástago en T Bosch | <ul style="list-style-type: none"> - JA1011 Sobrezapata de acero - Guía de corte circular y paralelo JA1010 - Bolsa de transporte - Otras hojas de sierra caladora con vástago en T Bosch |

Notes • Remarques • Notas

This page was intentionally left blank
Cette page a été laissée vierge intentionnellement.
Esta página se dejó intencionalmente en blanco

Notes • Remarques • Notas

This page was intentionally left blank
Cette page a été laissée vierge intentionnellement.
Esta página se dejó intencionalmente en blanco

LIMITED WARRANTY OF BOSCH PORTABLE AND BENCHTOP POWER TOOLS

Robert Bosch Tool Corporation ("Seller") warrants to the original purchaser only, that all BOSCH portable and benchtop power tools will be free from defects in material or workmanship for a period of one year from date of purchase. SELLER'S SOLE OBLIGATION AND YOUR EXCLUSIVE REMEDY under this Limited Warranty and, to the extent permitted by law, any warranty or condition implied by law, shall be the repair or replacement of parts, without charge, which are defective in material or workmanship and which have not been misused, carelessly handled, or misrepaired by persons other than Seller or Authorized Service Station. To make a claim under this Limited Warranty, you must return the complete portable or benchtop power tool product, transportation prepaid, to any BOSCH Factory Service Center or Authorized Service Station. For Authorized BOSCH Power Tool Service Stations, please refer to your phone directory.

THIS LIMITED WARRANTY DOES NOT APPLY TO ACCESSORY ITEMS SUCH AS CIRCULAR SAW BLADES, DRILL BITS, ROUTER BITS, JIGSAW BLADES, SANDING BELTS, GRINDING WHEELS AND OTHER RELATED ITEMS.

ANY IMPLIED WARRANTIES SHALL BE LIMITED IN DURATION TO ONE YEAR FROM DATE OF PURCHASE. SOME STATES IN THE U.S., SOME CANADIAN PROVINCES DO NOT ALLOW LIMITATIONS ON HOW LONG AN IMPLIED WARRANTY LASTS, SO THE ABOVE LIMITATION MAY NOT APPLY TO YOU.

IN NO EVENT SHALL SELLER BE LIABLE FOR ANY INCIDENTAL OR CONSEQUENTIAL DAMAGES (INCLUDING BUT NOT LIMITED TO LIABILITY FOR LOSS OF PROFITS) ARISING FROM THE SALE OR USE OF THIS PRODUCT. SOME STATES IN THE U.S. AND SOME CANADIAN PROVINCES DO NOT ALLOW THE EXCLUSION OR LIMITATION OF INCIDENTAL OR CONSEQUENTIAL DAMAGES, SO THE ABOVE LIMITATION OR EXCLUSION MAY NOT APPLY TO YOU.

THIS LIMITED WARRANTY GIVES YOU SPECIFIC LEGAL RIGHTS, AND YOU MAY ALSO HAVE OTHER RIGHTS WHICH VARY FROM STATE TO STATE IN THE U.S., PROVINCE TO PROVINCE IN CANADA AND FROM COUNTRY TO COUNTRY.

THIS LIMITED WARRANTY APPLIES ONLY TO PORTABLE AND BENCHTOP ELECTRIC TOOLS SOLD WITHIN THE UNITED STATES OF AMERICA, CANADA AND THE COMMONWEALTH OF PUERTO RICO. FOR WARRANTY COVERAGE WITHIN OTHER COUNTRIES, CONTACT YOUR LOCAL BOSCH DEALER OR IMPORTER.

GARANTIE LIMITÉE DES OUTILS ÉLECTRIQUES PORTATIFS ET D'ÉTABLI BOSCH

Robert Bosch Tool Corporation (le « vendeur ») garantit à l'acheteur initial seulement que tous les outils électriques portatifs et d'établi BOSCH seront exempts de vices de matériaux ou d'exécution pendant une période d'un an depuis la date d'achat. LA SEULE OBLIGATION DU VENDEUR ET LE SEUL RECOURS DE L'ACHETEUR sous la présente garantie limitée, et en autant que la loi le permette sous toute garantie ou condition implicite qui en découlerait, sera l'obligation de remplacer ou réparer gratuitement les pièces défectueuses matériellement ou comme fabrication, pourvu que lesdites défectosités ne soient pas attribuables à un usage abusif ou à quelque réparation bricolée par quelqu'un d'autre que le vendeur ou le personnel d'une station-service agréée. Pour présenter une réclamation en vertu de cette garantie limitée, vous devez renvoyer l'outil électrique portatif ou d'établi complet, port payé, à tout centre de service agréé ou centre de service usine. Veuillez consulter votre annuaire téléphonique pour les adresses.

LA PRÉSENTE GARANTIE NE S'APPLIQUE PAS AUX ACCESSOIRES TELS QUE LAMES DE SCIES CIRCULAIRES, MÊCHES DE PERCEUSES, FERS DE TOUPIES, LAMES DE SCIES SAUTEUSES, COURROIES DE POINÇAGE, MEULES ET AUTRES ARTICLES DU GENRE.

TOUTE GARANTIE IMPLICITE SERA LIMITÉE COMME DURÉE À UN AN À COMPTER DE LA DATE D'ACHAT. CERTAINS ÉTATS AMÉRICAINS, CERTAINES PROVINCES CANADIENNES N'ADMETTANT PAS LE PRINCIPE DE LA LIMITATION DE LA DURÉE DES GARANTIES IMPLICITES, IL EST POSSIBLE QUE LES LIMITATIONS CI-DESSUS NE S'APPLIQUENT PAS À VOTRE CAS.

EN AUCUN CAS LE VENDEUR NE SAURAIT ÊTRE TENU POUR RESPONSABLE DES INCIDENTS OU DOMMAGES INDIRECTS (INCLUANT, MAIS NE SE LIMITANT PAS AUX PERTES DE PROFITS) CONSÉCUTIFS À LA VENTE OU L'USAGE DE CE PRODUIT. CERTAINS ÉTATS AMÉRICAINS ET CERTAINES PROVINCES CANADIENNES N'ADMETTANT PAS LE PRINCIPE DE LA LIMITATION NI L'EXCLUSION DES DOMMAGES INDIRECTS ET CONSÉQUENTIELS, IL EST POSSIBLE QUE LES LIMITATIONS OU EXCLUSIONS CI-DESSUS NE S'APPLIQUENT PAS À VOTRE CAS.

LA PRÉSENTE GARANTIE VOUS ACCORDE DES DROITS BIEN DÉTERMINÉS, Y COMPRIS POSSIBLEMENT CERTAINS DROITS VARIABLES DANS LES DIFFÉRENTS ÉTATS AMÉRICAINS, PROVINCES CANADIENNE ET DE PAYS À PAYS.

CETTE GARANTIE LIMITÉE NE S'APPLIQUE QU'AUX OUTILS ÉLECTRIQUES PORTATIFS ET D'ÉTABLI VENDUS AUX ÉTATS-UNIS D'AMÉRIQUE, AU CANADA ET AU COMMONWEALTH DE PORTO RICO. POUR COUVERTURE DE GARANTIE DANS LES AUTRES PAYS, CONTACTEZ VOTRE IMPORTATEUR OU REVENDEUR BOSCH LOCAL.

GARANTIA LIMITADA PARA HERRAMIENTAS MECANICAS PORTATILES Y PARA TABLERO DE BANCO BOSCH

Robert Bosch Tool Corporation ("el Vendedor") garantiza, únicamente al comprador original, que todas las herramientas mecánicas portátiles y para tablero de banco BOSCH estarán libres de defectos de material o de fabricación durante un período de un año a partir de la fecha de compra. LA ÚNICA OBLIGACION DEL VENDEDOR Y EL RECURSO EXCLUSIVO QUE USTED TIENE bajo esta Garantía Limitada y, hasta donde la ley lo permita, bajo cualquier garantía o condición implícita por ley, consistirá en la reparación o sustitución sin costo de las piezas que presenten defectos de material o de fabricación y que no hayan sido utilizadas incorrectamente, manejadas descuidadamente o reparadas incorrectamente por personas que no sean el Vendedor o una Estación de servicio autorizada. Para efectuar una reclamación bajo esta Garantía Limitada, usted debe devolver el producto, que consiste en la herramienta mecánica portátil o para tablero de banco completa, con el transporte pagado, a cualquier Centro de servicio de fábrica o Estación de servicio autorizada. Para Estaciones de servicio autorizadas de herramientas mecánicas BOSCH, por favor, consulte el directorio telefónico.

ESTA GARANTIA LIMITADA NO SE APLICA A ARTICULOS ACCESORIOS TALES COMO HOJAS PARA SIERRAS CIRCULARES, BROCAS PARA TALADROS, BROCAS PARA FRESADORAS, HOJAS PARA SIERRAS DE VAIVEN, CORREAS PARA LUJAR, RUEDAS DE AMOLAR Y OTROS ARTICULOS RELACIONADOS.

TODAS LAS GARANTIAS IMPLICITAS TENDRAN UNA DURACION LIMITADA A UN AÑO A PARTIR DE LA FECHA DE COMPRA. ALGUNOS ESTADOS DE LOS EE.UU. Y ALGUNAS PROVINCIAS CANADIENSES NO PERMITEN LIMITACIONES EN CUANTO A LA DURACION DE UNA GARANTIA IMPLICITA, POR LO QUE ES POSIBLE QUE LA LIMITACION ANTERIOR NO SEA APLICABLE EN EL CASO DE USTED.

EL VENDEDOR NO SERA RESPONSABLE EN NINGUN CASO DE NINGUN DAÑO INCIDENTAL O EMERGENTE (INCLUYENDO PERO NO LIMITADO A RESPONSABILIDAD POR PERDIDA DE BENEFICIOS) QUE SE PRODUZCA COMO CONSECUENCIA DE LA VENTA O UTILIZACION DE ESTE PRODUCTO. ALGUNOS ESTADOS DE LOS EE.UU. Y ALGUNAS PROVINCIAS CANADIENSES NO PERMITEN LA EXCLUSION O LIMITACION DE LOS DAÑOS INCIDENTALES O EMERGENTES, POR LO QUE ES POSIBLE QUE LA LIMITACION O EXCLUSION ANTERIOR NO SEA APLICABLE EN EL CASO DE USTED.

ESTA GARANTIA LIMITADA LE CONFIERE A USTED DERECHOS LEGALES ESPECIFICOS Y ES POSIBLE QUE USTED TAMBIEN TENGA OTROS DERECHOS QUE VARIAN DE ESTADO A ESTADO EN LOS EE.UU., DE PROVINCIA A PROVINCIA EN CANADA Y DE UN PAIS A OTRO.

ESTA GARANTIA LIMITADA SE APLICA SOLAMENTE A HERRAMIENTAS ELECTRICAS PORTATILES Y PARA TABLERO DE BANCO VENDIDAS EN LOS ESTADOS UNIDOS DE AMERICA, CANADA Y EL ESTADO LIBRE ASOCIADO DE PUERTO RICO. PARA COBERTURA DE GARANTIA EN OTROS PAISES, PONGASE EN CONTACTO CON SU DISTRIBUIDOR O IMPORTADOR LOCAL DE BOSCH.

© Robert Bosch Tool Corporation 1800 W. Central Road Mt. Prospect, IL 60056-2230

Exportado por: Robert Bosch Tool Corporation Mt. Prospect, IL 60056-2230, E.U.A.

Importado en México por: Robert Bosch, S.A. de C.V., Calle Robert Bosch No. 405, Zona Industrial, Toluca, Edo. de México, C.P. 50070, Tel. (722) 2792300



2610056649 06/20

2 6 1 0 0 5 6 6 4 9