

IMPORTANT
Read Before Using

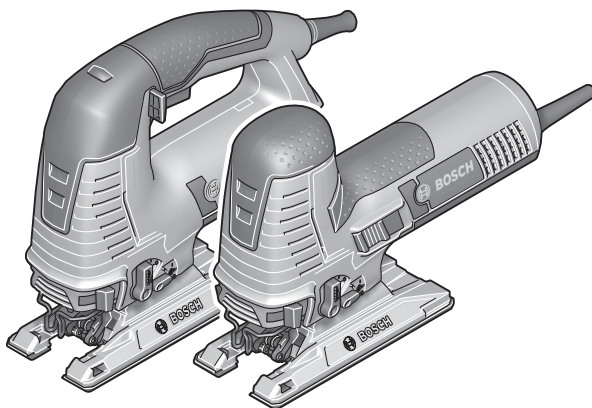
IMPORTANT
Lire avant usage

IMPORTANTE
Leer antes de usar



Operating / Safety Instructions
Consignes d'utilisation/de sécurité
Instrucciones de funcionamiento y seguridad

JS572E
JS572EB



BOSCH

Call Toll Free for Consumer Information and Service Locations

Pour obtenir des informations et les adresses de nos centres de service après-vente, appelez ce numéro gratuit
Llame gratis para obtener información para el consumidor y ubicaciones de servicio

1-877-BOSCH99 (1-877-267-2499) www.boschtools.com





For English Version
See page 2

Version française
Voir page 18

Versión en español
Ver la página 36

Safety Symbols

The definitions below describe the level of severity for each signal word. Please read the manual and pay attention to these symbols.

	This is the safety alert symbol. It is used to alert you to potential personal injury hazards. Obey all safety messages that follow this symbol to avoid possible injury or death.
	DANGER indicates a hazardous situation which, if not avoided, will result in death or serious injury.
	WARNING indicates a hazardous situation which, if not avoided, could result in death or serious injury.
	CAUTION indicates a hazardous situation which, if not avoided, could result in minor or moderate injury.

General Power Tool Safety Warnings

WARNING Read all safety warnings, instructions, illustrations and specifications provided with this power tool. Failure to follow all instructions listed below may result in electric shock, fire and/or serious injury.

SAVE ALL WARNINGS AND INSTRUCTIONS FOR FUTURE REFERENCE

The term “power tool” in the warnings refers to your mains-operated (corded) power tool or battery-operated (cordless) power tool.

1. Work area safety

- a. **Keep work area clean and well lit.** Cluttered or dark areas invite accidents.
- b. **Do not operate power tools in explosive atmospheres, such as in the presence of flammable liquids, gases or dust.** Power tools create sparks which may ignite the dust or fumes.
- c. **Keep children and bystanders away while operating a power tool.** Distractions can cause you to lose control.

2. Electrical safety

- a. **Power tool plugs must match the outlet. Never modify the plug in any way. Do not use any adapter plugs with earthed (grounded) power tools.** Unmodified plugs and matching outlets will reduce risk of electric shock.
- b. **Avoid body contact with earthed or grounded surfaces, such as pipes, radiators, ranges and refrigerators.** There is an increased risk of electric shock if your body is earthed or grounded.

- c. **Do not expose power tools to rain or wet conditions.** Water entering a power tool will increase the risk of electric shock.
- d. **Do not abuse the cord. Never use the cord for carrying, pulling or unplugging the power tool. Keep cord away from heat, oil, sharp edges or moving parts.** Damaged or entangled cords increase the risk of electric shock.
- e. **When operating a power tool outdoors, use an extension cord suitable for outdoor use.** Use of a cord suitable for outdoor use reduces the risk of electric shock.
- f. **If operating a power tool in a damp location is unavoidable, use a Ground Fault Circuit Interrupter (GFCI) protected supply.** Use of an GFCI reduces the risk of electric shock.

3. Personal safety

- a. **Stay alert, watch what you are doing and use common sense when operating a power tool. Do not use a power tool while you are tired or under the influence of drugs, alcohol or**

General Power Tool Safety Warnings

medication. A moment of inattention while operating power tools may result in serious personal injury.

- b. Use personal protective equipment. Always wear eye protection.** Protective equipment such as dust mask, non-skid safety shoes, hard hat, or hearing protection used for appropriate conditions will reduce personal injuries.
- c. Prevent unintentional starting. Ensure the switch is in the off-position before connecting to power source and / or battery pack, picking up or carrying the tool.** Carrying power tools with your finger on the switch or energizing power tools that have the switch on invites accidents.
- d. Remove any adjusting key or wrench before turning the power tool on.** A wrench or a key left attached to a rotating part of the power tool may result in personal injury.
- e. Do not overreach. Keep proper footing and balance at all times.** This enables better control of the power tool in unexpected situations.
- f. Dress properly. Do not wear loose clothing or jewelry. Keep your hair, clothing and gloves away from moving parts.** Loose clothes, jewelry or long hair can be caught in moving parts.
- g. If devices are provided for the connection of dust extraction and collection facilities, ensure these are connected and properly used.** Use of dust collection can reduce dust-related hazards.
- h. Do not let familiarity gained from frequent use of tools allow you to become complacent and ignore tool safety principles.** A careless action can cause severe injury within a fraction of a second.
- c. Disconnect the plug from the power source and/or remove the battery pack, if detachable, from the power tool before making any adjustments, changing accessories, or storing power tools.** Such preventive safety measures reduce the risk of starting the power tool accidentally.
- d. Store idle power tools out of the reach of children and do not allow persons unfamiliar with the power tool or these instructions to operate the power tool.** Power tools are dangerous in the hands of untrained users.
- e. Maintain power tools and accessories. Check for misalignment or binding of moving parts, breakage of parts and any other condition that may affect the power tool's operation. If damaged, have the power tool repaired before use.** Many accidents are caused by poorly maintained power tools.
- f. Keep cutting tools sharp and clean.** Properly maintained cutting tools with sharp cutting edges are less likely to bind and are easier to control.
- g. Use the power tool, accessories and tool bits etc. in accordance with these instructions, taking into account the working conditions and the work to be performed.** Use of the power tool for operations different from those intended could result in a hazardous situation.
- h. Keep handles and grasping surfaces dry, clean and free from oil and grease.** Slippery handles and grasping surfaces do not allow for safe handling and control of the tool in unexpected situations.

5. Service

- a. Have your power tool serviced by a qualified repair person using only identical replacement parts.** This will ensure that the safety of the power tool is maintained.

4. Power tool use and care

- a. Do not force the power tool. Use the correct power tool for your application.** The correct power tool will do the job better and safer at the rate for which it was designed.
- b. Do not use the power tool if the switch does not turn it on and off.** Any power tool that cannot be controlled with the switch is dangerous and must be repaired.

Safety Rules for Jig Saws

- a. **Hold the power tool by insulated gripping surfaces, when performing an operation where the cutting accessory may contact hidden wiring or its own cord.** Cutting accessory contacting a "live" wire may make exposed metal parts of the power tool "live" and could give the operator an electric shock.
- b. **Use clamps or another practical way to secure and support the workpiece to a stable platform.** Holding the workpiece by hand or against your body leaves it unstable and may lead to loss of control.
- c. **Do not drill, fasten or break into existing walls or other blind areas where electrical wiring may exist.** If this situation is unavoidable, disconnect all fuses or circuit breakers feeding this worksite.
- d. **Never leave the trigger locked "ON". Before plugging the tool in, check that the trigger lock is "OFF".** Accidental start-ups could cause injury.
- e. **Be aware of the location and setting of the switch "Lock-ON" button.** If the switch is locked "ON" during the use, be ready for emergency situations to switch it "OFF", by first pulling the trigger then immediately releasing it without pressing the "Lock-ON" button.
- f. **Keep hands away from cutting area. Do not reach under the material being cut.** The proximity of the blade to your hand is hidden from your sight.
- g. **Keep hands from between the gear housing and saw blade holder.** The reciprocating blade holder can pinch your fingers.
- h. **Do not use dull or damaged blades.** Bent blade can break easily or cause kickback.
- i. **Before starting to cut, turn tool "ON" and allow the blade to come to full speed.** Tool can chatter or vibrate if blade speed is too slow at beginning of cut and possibly kickback.
- j. **Always wear safety goggles or eye protection when using this tool. Use a dust mask or respirator for applications which generate dust.**
- k. **Secure material before cutting. Never hold it in your hand or across legs.** Small or thin material may flex or vibrate with the blade, causing loss of control.
- l. **Make certain all adjusting screws and the blade holder are tight before making a cut.** Loose adjusting screws and holders can cause the tool or blade to slip and loss of control may result.

Additional Safety Warnings

GFCI and personal protection devices like electrician's rubber gloves and footwear will further enhance your personal safety.

Do not use AC only rated tools with a DC power supply. While the tool may appear to work, the electrical components of the AC rated tool are likely to fail and create a hazard to the operator.

Keep handles dry, clean and free from oil and grease. Slippery hands cannot safely control the power tool.

Develop a periodic maintenance schedule for your tool. When cleaning a tool be careful not to disassemble any portion of the tool since internal wires may be misplaced or pinched or safety guard return springs may be improperly mounted. Certain cleaning agents such as gasoline, carbon tetrachloride, ammonia, etc. may damage plastic parts.

Risk of injury to user. The power cord must only be serviced by a Bosch Factory Service Center or Authorized Bosch Service Station.







⚠ WARNING Some dust created by power sanding, sawing, grinding, drilling, and other construction activities contains chemicals known to cause cancer, birth defects or other reproductive harm. Some examples of these chemicals are:

- Lead from lead-based paints,
- Crystalline silica from bricks and cement and other masonry products, and
- Arsenic and chromium from chemically-treated lumber.

Your risk from these exposures varies, depending on how often you do this type of work. To reduce your exposure to these chemicals: work in a well ventilated area, and work with approved safety equipment, such as those dust masks that are specially designed to filter out microscopic particles.












Symbols

IMPORTANT: Some of the following symbols may be used on your tool. Please study them and learn their meaning. Proper interpretation of these symbols will allow you to operate the tool better and safer.

Symbol	Designation/Explanation
V	Volts (voltage)
A	Amperes (current)
Ah	Amp-hour (measurement of battery capacity)
Hz	Hertz (frequency, cycles per second)
W	Watt (power)
kg	Kilograms (weight)
min	Minutes (time)
s	Seconds (time)
∅	Diameter (size of drill bits, grinding wheels, etc.)
n_0	No load speed (rotational speed at no load)
n	Rated speed (maximum attainable speed)
.../min	Revolutions or reciprocation per minute (revolutions, strokes, surface speed, orbits etc. per minute)
0	Off position (zero speed, zero torque...)
1, 2, 3, ... I, II, III,	Selector settings (speed, torque or position settings. Higher number means greater speed)
0 	Infinitely variable selector with off (speed is increasing from 0 setting)
	Arrow (action in the direction of arrow)
	Alternating current (type or a characteristic of current)
==	Direct current (type or a characteristic of current)
	Alternating or direct current (type or a characteristic of current)
	Class II construction (designates double insulated construction tools)
	Earthing terminal (grounding terminal)

Symbols (continued)

IMPORTANT: Some of the following symbols may be used on your tool. Please study them and learn their meaning. Proper interpretation of these symbols will allow you to operate the tool better and safer.

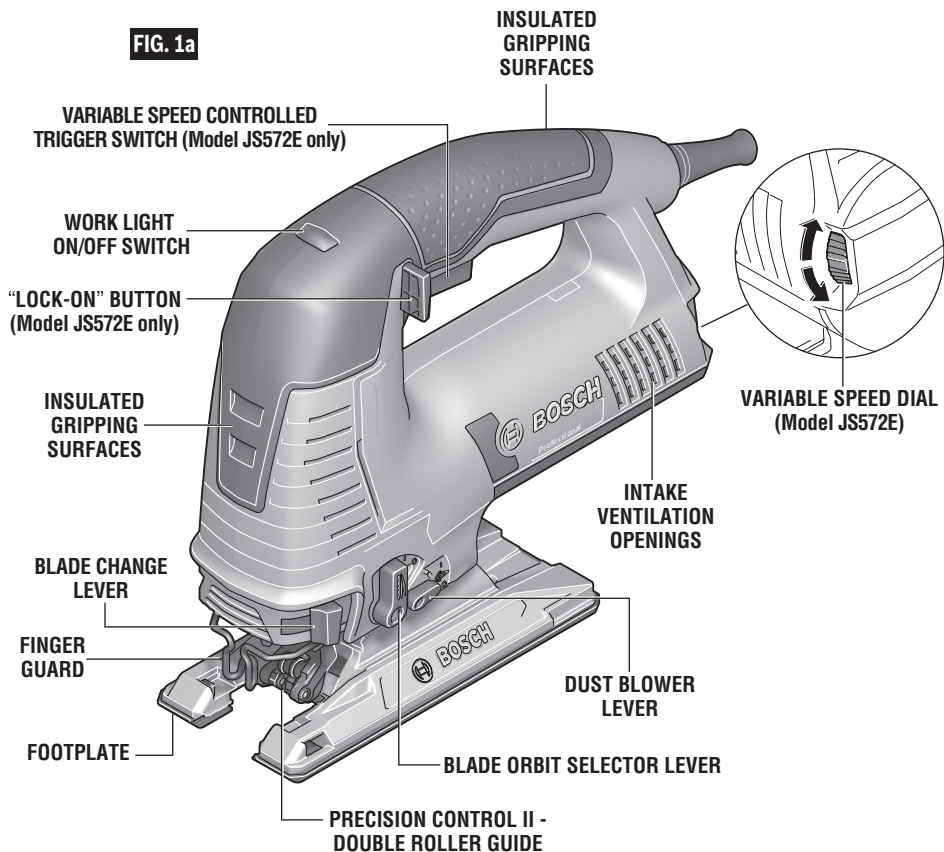
Symbol	Designation / Explanation
	Designates Li-ion battery recycling program
	Designates Ni-Cad battery recycling program
	Alerts user to read manual
	Alerts user to wear eye protection
	This symbol designates that this tool is listed by Underwriters Laboratories.
	This symbol designates that this component is recognized by Underwriters Laboratories.
	This symbol designates that this tool is listed by Underwriters Laboratories, to United States and Canadian Standards.
	This symbol designates that this tool is listed by the Canadian Standards Association.
	This symbol designates that this tool is listed by the Canadian Standards Association, to United States and Canadian Standards.
	This symbol designates that this tool is listed by the Intertek Testing Services, to United States and Canadian Standards.
	This symbol designates that this tool complies to NOM Mexican Standards.

Functional Description and Specifications

⚠ WARNING Disconnect the plug from the power source before making any assembly, adjustments or changing accessories. Such preventive safety measures reduce the risk of starting the tool accidentally.

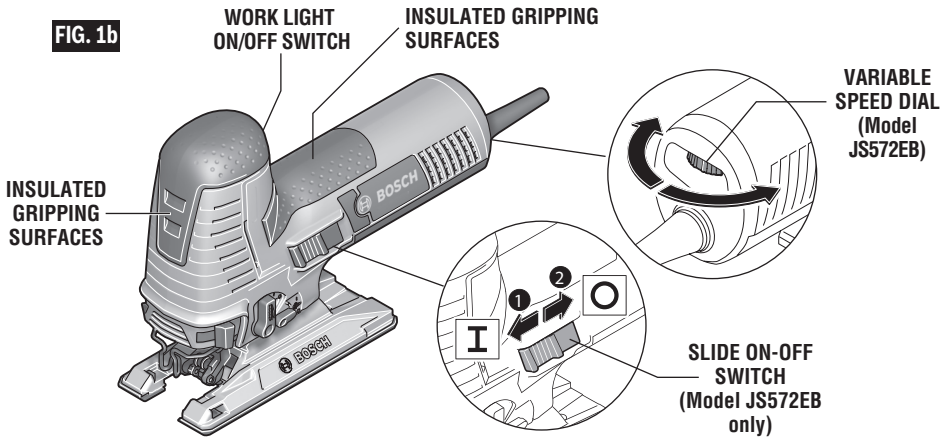
JS572E Jig Saw

FIG. 1a



Functional Description and Specifications

Jig Saw JS572EB



Model number JS572E & JS572EB		
Maximum Capacities	Stroke length	1" (25 mm)
	Wood	3-1/2" (89 mm)
	Aluminium	13/16" (20.6 mm)
	Mild steel	5/16" (8 mm)

NOTE: For tool specifications refer to the nameplate on your tool.

Assembly

⚠ WARNING Disconnect the plug from the power source before making any assembly, adjustments or changing accessories. Such preventive safety measures reduce the risk of starting the tool accidentally.

Blade Installation and Removal

This jigsaw is equipped with a Bosch tool-less blade changing system for fast and easy changes of T-shank blades.

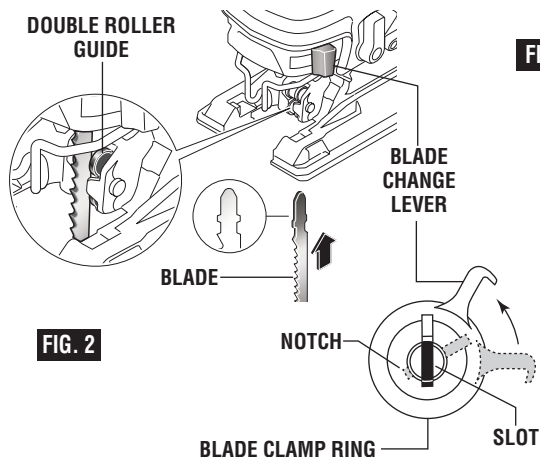
Note: This jigsaw does not accept U-shank blades.

If blade is not properly installed, then the blade may unexpectedly dislodge from jigsaw when tool is energized.

1. To remove a previously-used blade, pull blade change lever until blade ejects (Fig. 2).

Blade ejects forcefully when released. Direct away from yourself or bystanders.

2. Pull the blade change lever to the point that the notch on the blade clamp's ring line up with the slot in the center of the clamp (Fig. 2).

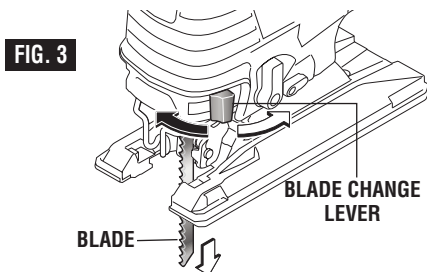


3. Insert the saw blade (teeth in cutting direction) until the "T" part of the blade shank is completely inserted in to the blade clamp. (When inserting the saw blade, the back of the blade must rest in the grooves in double roller guide Fig. 3.)
4. When blade change lever is released, it will spring back to its closed position.
5. Verify that the blade clamp has also returned to its closed position (which is the point where slots were previously).

Note: If the saw blade cannot be inserted into the plunger, the slots of the blade holder are not in the correct position.

Precision Control

The double roller guidance system helps to ensure minimal blade deflection.



Assembly

Dust Extraction (Not included, sold separately)

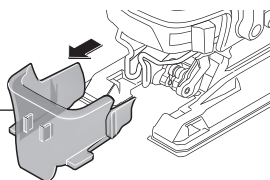
The JA1012 Dust Extraction Kit includes a dust shroud and an extraction tube for connecting the jig saw to a vacuum hose or vacuum hose adapter.

Note: The dust shroud must be used when the extraction tube is connected to a vacuum cleaner system.

To use this feature, insert extraction tube into footplate. (Fig. 4).

FIG. 4

DUST SHROUD
(Not included, sold separately)



For vacuuming, a Bosch vacuum hose or hose adapter (sold separately) can be directly connected to the extraction tube (Fig. 5).

EXTRACTION TUBE
(Not included, sold separately)

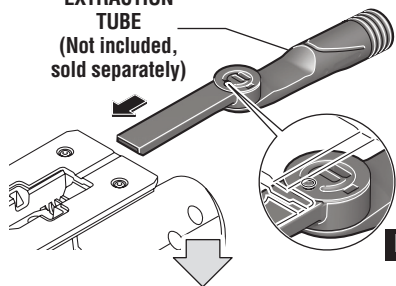
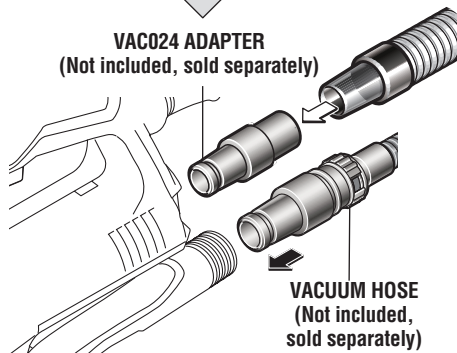


FIG. 5

VAC024 ADAPTER
(Not included, sold separately)



VACUUM HOSE
(Not included, sold separately)

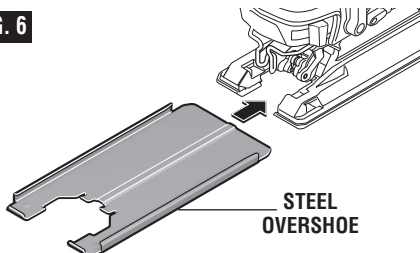
The VAC024 adapter allows connection to 1-1/4" and 1-1/2" vacuum hoses.

Attaching Steel Overshoe

Your tool is equipped with a protective plastic overshoe that protects finer surfaces. An optional heavy-duty steel overshoe for work in rough conditions is sold separately.

To attach, slide overshoe in direction of arrow completely onto metal footplate (Fig. 6).

FIG. 6



STEEL OVERSHOE

Anti-Splinter Insert

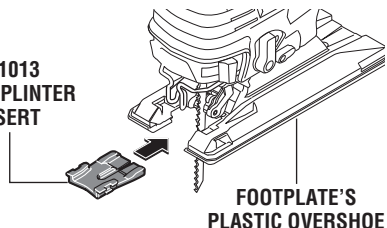
To minimize splintering of the top surface of the material being cut, place the JA1013 anti-splinter insert in the blade opening of the footplate's plastic overshoe (Fig. 7).

Note: The anti-splinter insert cannot be used when the footplate is tilted for angle cutting.

Note: This insert will only work with blades that have ground sides such as T301CD, T101B, T101D, and T101DP.

FIG. 7

JA1013 ANTI-SPLINTER INSERT



FOOTPLATE'S PLASTIC OVERSHOE

Operating Instructions

⚠ WARNING Disconnect the plug from the power source before making any assembly, adjustments or changing accessories. Such preventive safety measures reduce the risk of starting the tool accidentally.

Plunger Speed

The jigsaw cutting speed or stroke rate required depends on the material being cut, the type of blade being used, and the feed rate preferred by the operator.

The best speed for a particular application is largely determined by experience though as a general rule, slower speeds are for denser materials and faster speeds for softer materials.

Note: that when the jigsaw is used at low speed settings for an extended length of time, the motor temperature will rise due to slower speeds of the internal cooling fan. In such cases, it is necessary to occasionally run the tool at full speed for a few minutes to keep the motor running at high efficiency.

Variable Speed Dial

Your Jigsaw is equipped with a variable speed dial. The blade stroke rate may be adjusted during cutting operation by presetting the dial on or between any one of the six numbers (Fig. 5).

Setting	SPM rating (strokes per minute)	
	JS572E	JS572EB
1	800 Max.	800
2	1200 Max.	1200
3	1700 Max.	1700
4	2100 Max.	2100
5	2600 Max.	2600
6	3000 Max.	3000

Slide On-Off Switch (Model JS572EB only)

The tool is switched "ON" by the switch button located at the side of the motor housing. The switch locks in the "ON" position, a convenience for continuous operation (Fig. 1).

To turn the tool "ON" slide the switch button forward.

TO UNLOCK THE SWITCH, slide the switch button backward.

Variable Speed Controlled Trigger Switch (Model JS572E only)

Your tool is equipped with a variable speed trigger switch. The tool can be turned "ON" or "OFF" by squeezing or releasing the trigger. The speed can be adjusted from the minimum to maximum SPM as set on the variable speed dial by the pressure you apply to the trigger. Apply more pressure to increase the speed and release pressure to decrease speed.

Regardless of the pressure applied on the trigger, the tool will not operate any faster than maximum speed setting selected on the variable speed dial.

"Lock-On" Button (Model JS572E only)

The "Lock-ON" button, located in the handle of your tool allows for continuous operation at maximum preset SPM without holding the trigger (Fig. 1).

TO LOCK TRIGGER "ON": squeeze trigger, depress button and release trigger.

TO UNLOCK THE TRIGGER: squeeze trigger and release it without depressing the "Lock-ON" button.

⚠ WARNING If the "Lock-ON" button is continuously being depressed, the trigger can not be released.

Work Light

Your tool is equipped with a work light for better visibility during operation. The tool power cord must be plugged into a power source before you activate the light. To turn light ON depress the work light ON/OFF switch. To turn light off depress the ON/OFF switch again (Fig. 1).

Operating Instructions

Constant Response Circuitry

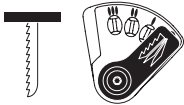
The internal electronic feedback system provides a "soft start", which will reduce the stresses that occur from a high torque start. The system also maintains the selected speed under load for maximum efficiency.

Blade Orbit Selector Lever

Maximum cutting efficiency can be obtained by adjusting the blade orbit selector lever to suit the material being cut.

The following chart will help you determine which setting to use for your application. This chart is intended as a guideline only, and test cuts in scrap material should be performed first to determine the best setting.

Setting O



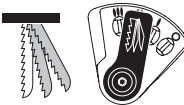
Hard materials such as metals or thin sheet metals. This setting can be used with knife blades, grit edge blades, rasp work and down cutting blades.

Setting I



Soft materials where cleaner cutting or delicate scrolling work is performed.

Setting II



Medium density materials such as harder woods or particle board.

Setting III



Soft materials such as wood, plastics, etc. and when fast cutting is more important than a clean cut.

Chip Blower

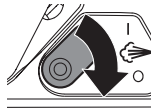
Your jig saw is equipped with a two position chip blower to help keep the cutting line clear of chips.

By adjusting the chip blower lever the force of the discharge air may be altered as follows;



BLOWER SWITCHED ON

For working with wood, plastic and similar materials that produce large amounts of sawdust.



BLOWER SWITCHED OFF

For working with metals and when cooling agents are used, or with dust collection accessory.

Footplate Angle Adjustment

The footplate may be tilted to allow angle cuts up to 45° in either direction (Fig. 8).

Note: before adjusting the footplate, remove dust shroud and anti-splinter if used.

Open the lock lever to unlock footplate. Push and hold the footplate firmly towards the back of tool as shown. While holding the footplate backwards tilt footplate to desired angle on bevel scale, then release pressure on footplate so it engages into detent at desired angle (Fig. 8).

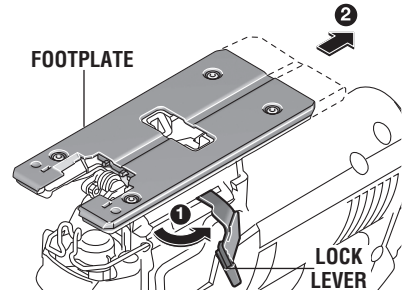
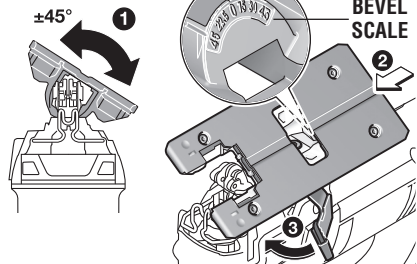


FIG. 8



Operating Instructions

Your tool has detent slots the footplate will engage at 0° & 45°, and there are additional position marks for 15°, 22.5° and 30° angles.

Close the lock lever slowly to assure that footplate is locked at the desired angle.

Tool Tips

⚠ WARNING Always hold the saw by the insulated gripping surfaces on the front of the tool and the switch handle. Failure to hold the tool by the insulated gripping surface may result in electric shock or electrocution if sawing into a blind area where live wiring exits.

Always be certain that smaller workpieces are securely fastened to a bench or other support. Larger panels may be held in place by clamps on a bench or sawhorses.

To begin a cut, clearly mark the cutting line, and rest the front of the footplate on the work. Engage the switch, and move the blade into the work using only enough forward pressure to keep the blade cutting steadily. Do not force, as this will not make the saw cut faster; let the blade do the work.

Choose blades carefully, as the ability of the jigsaw to follow curves, provide smoother finishes, or faster cutting is directly related to the type of blade used (See your Bosch Dealer).

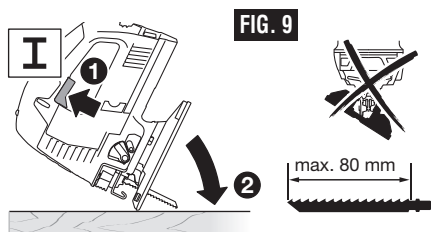
For tight curves it is best to use a narrow or scroll blade.

When sawing metal or similar materials, shut off chip blower and apply coolant/lubricant alongside the cutting line. Don't use extraction.

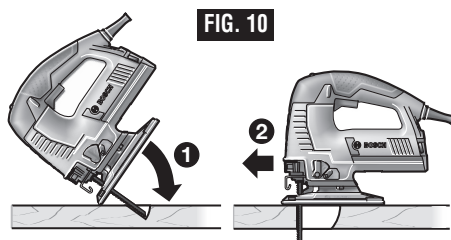
Use of reverse-tooth blade such as the Bosch T101BR requires the orbital setting to be "0" and that downward pressure be applied to the top of the saw.

Plunge cutting

Plunge cutting is useful and time-saving in making rough openings in softer materials. It is not necessary to drill a hole for an inside or pocket cut. The longest blade to be used for plunge cutting is 3-1/8" (80 mm). Footplate must be set 0° setting. (Fig. 9).



Draw lines for the opening, hold the saw firmly, tilt it forward so that the toe of the saw foot rests on the work, but with the blade well clear of the work. Turn the tool on and run at top speed, and then very gradually lower the blade (Fig. 10).



When it touches, continue pressing down on the toe of the saw foot slowly pivoting the saw like a hinge until the blade cuts through and the foot rests flat on the work. Then saw ahead on the cutting line. We do not recommend plunge cutting with a scroll blade. Do not try to plunge cut into hard materials such as steel.

To make sharp corners, cut up to the corner, then back up slightly before rounding the corner. After the opening is complete, go back to each corner and cut it from the opposite direction to square it off.

Operating Instructions

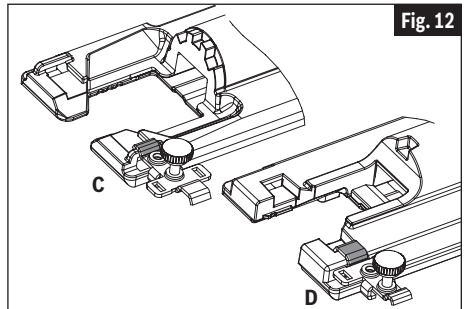
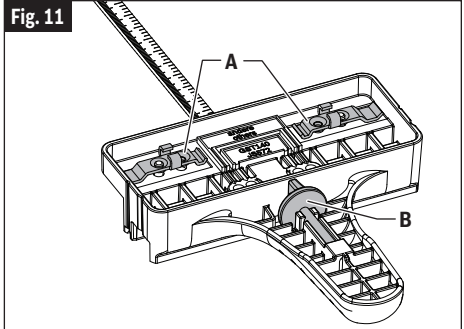
JA1010 Circle and Parallel Cutting Guide

(Sold separately)

The JA1010 is used for fast and accurate straight and circle cutting. It includes the guide, two clamps **A** for attaching it to the jig saw, and a center pin **B** for guiding circle cuts. The clamps and the centering pin can be stored on the guide (Fig. 11).

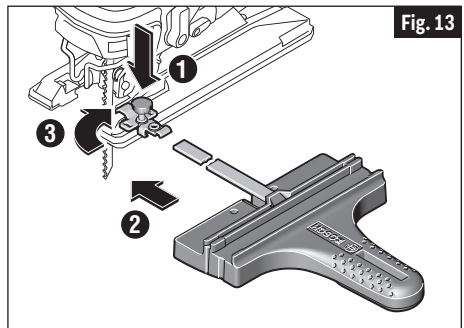
One end of the clamp is used to attach the guide's bar to jig saws that have narrow tops on their footplate mounting slots (**C**) and the other end is used to attach the guide's bar to jig saws that have wide tops on their footplate mounting slots (**D**) (Fig. 12).

When possible, attach the bar to the jig saw using both clamps for enhanced grip and precision.



ATTACHING GUIDE TO JIG SAW

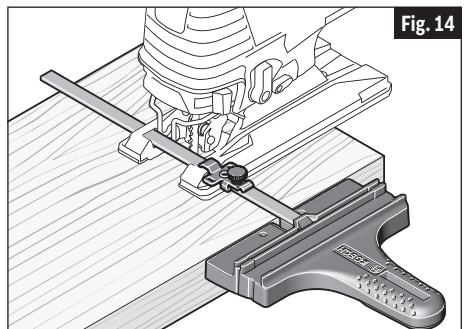
1. Orient the blade clamp so that the proper end is placed on the jig saw foot from either side of the tool.
2. Insert guide's bar through a clamp, then through the slots provided in foot, with the guide's fence orientated correctly for the intended application, parallel cutting or circle cutting. (If possible, place second clamp on bar from opposite side of jig saw.)
3. Place lock knob(s) on proper side of clamp(s) and securely tighten lock knob(s) on the clamp(s) (Fig. 13).



PARALLEL CUTTING

Parallel cuts can be made from 5/8" to 6" in from the edge of the workpiece.

1. The guide fence surface needs to be positioned **ALONGSIDE** the workpiece (Fig. 14).
2. Hook clamp(s) onto footplate, adjust fence to desired width and place lock knob(s) on proper side of clamp(s)
3. Securely tighten lock knob(s) on the clamp(s) (Fig. 13).
4. Insert jig saw's plug into power source, hold the saw firmly, squeeze trigger and slowly push the saw forward (Fig. 14).

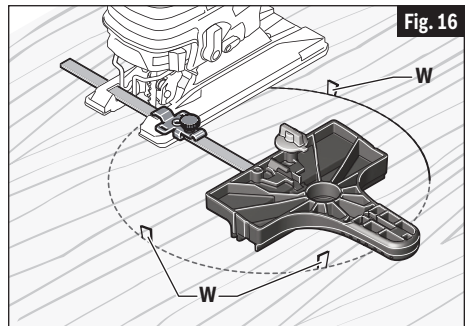
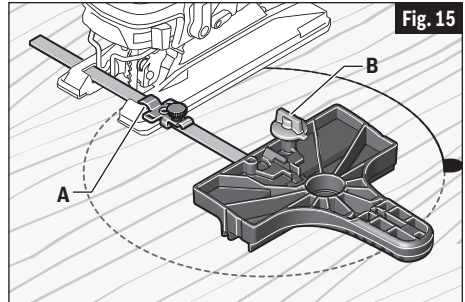


Operating Instructions

CIRCLE CUTTING

Circle cuts can be made from 5" to 16-1/2" in diameter

1. Determine the center point of the desired circle.
2. Drill a 3/16" (5 mm) center hole 7/8" (23 mm) deep in workpiece. (For enhanced precision, drill the hole using a drill press, if possible).
3. Drill or plunge cut near the circle's edge, turn saw off, and disconnect the plug from power source.
4. Insert guide bar through a clamp, then through the slots provided in foot, from either side of foot (Fig. 15). (If possible, place second clamp on bar from opposite side of jig saw).
5. Remove guide pin **B** from end of guide, push pin through proper hole provided in guide, then into center hole of workpiece. (When used with a Bosch JS572 jig saw – or the JSH180 cordless jig saw – the holes labeled for the JS572 should be used.) For other jig saws, one of the other holes should be used.
6. Measure the distance from the center of the hole to the desired circle radius. Adjust that measurement as necessary to account for the width of the blade:
 - When cutting a hole, cut from inside the intended radius.
 - When cutting wheels or discs, cut from the outside the intended radius.
7. Hook clamp(s) onto footplate, and position the guide to that adjusted radius measurement.
8. Place lock knob(s) on proper side of clamp(s) and securely tighten lock knob(s) on the clamp(s) (Fig. 13).
9. Insert jig saw's plug into power source, hold the saw firmly, squeeze trigger and slowly push the saw forward.



CIRCLE-CUTTING TIPS:

- Place small wedges **W** in the cut as shown in Fig. 16, to keep the inner circle from spreading when near the end of the cut.
- Use a thick jig saw blade, such as the Bosh T101TP or T144DP whenever possible.
- Make sure that the jig saw's orbital setting is at 0 (zero)
- Cut slowly so the blade will stay straight in the cut.

Maintenance

⚠ WARNING To avoid accidents, always disconnect the battery pack from tool before servicing or cleaning.

Service

⚠ WARNING Preventive maintenance performed by unauthorized personnel may result in misplacing of internal wires and components which could cause serious hazard. We recommend that all tool service be performed by a Bosch Factory Service Center or Authorized Bosch Service Station. **SERVICEMEN:** Disconnect tool and/or charger from power source before servicing.

Tool Lubrication

Your Bosch tool has been properly lubricated and is ready for use. It is recommended that tools with gears be regreased with a special gear lubricant at every brush change.

Carbon Brushes

The brushes and commutator in your tool have been engineered for many hours of dependable service. To maintain peak efficiency of the motor, we recommend every two to six months the brushes be examined. Only genuine Bosch replacement brushes specially designed for your tool should be used.

Bearings

Bearings which become noisy (due to heavy load or very abrasive material cutting) should be replaced at once to avoid overheating and motor failure.

Cleaning

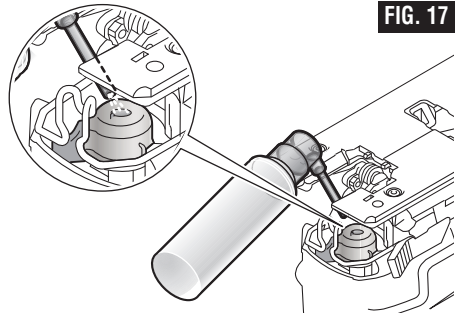
⚠ CAUTION Certain cleaning agents and solvents damage plastic parts. Some of these are: gasoline, carbon tetrachloride, chlorinated cleaning solvents, ammonia and household detergents that contain ammonia.

Ventilation openings and switch levers must be kept clean and free of foreign matter. Do not attempt to clean by inserting pointed objects through opening.

Cleaning Blade Holder

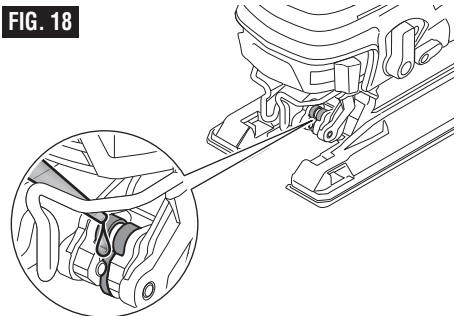
Clean the saw blade holder regularly. For this, remove the saw blade from the tool and lightly tap footplate on a level surface.

Regularly spray penetrating oil onto the saw blade holder (Fig. 17).



Check the guide roller regularly. If worn, it must be replaced through an authorized Bosch Factory Service Center

Lubricate the guide roller occasionally with a drop of oil (Fig. 18).



Extension Cords

⚠ WARNING If an extension cord is necessary, a cord with adequate size conductors that is capable of carrying the current necessary for your tool must be used. This will prevent excessive voltage drop, loss of power or overheating. Grounded tools must use 3-wire extension cords that have 3-prong plugs and receptacles.

NOTE: The smaller the gauge number, the heavier the cord.

RECOMMENDED SIZES OF EXTENSION CORDS 120 VOLT ALTERNATING CURRENT TOOLS

Tool's Ampere Rating	Cord Size in A.W.G.				Wire Sizes in mm ²			
	Cord Length in Feet				Cord Length in Meters			
	25	50	100	150	15	30	60	120
3-6	18	16	16	14	0.75	0.75	1.5	2.5
6-8	18	16	14	12	0.75	1.0	2.5	4.0
8-10	18	16	14	12	0.75	1.0	2.5	4.0
10-12	16	16	14	12	1.0	2.5	4.0	–
12-16	14	12	–	–	–	–	–	–

Accessories and Attachments





⚠ WARNING The use of any other attachments or accessories not specified in this manual may create a hazard.

Store accessories in a dry and temperate environment to avoid corrosion and deterioration.

Standard equipment	Optional accessories and attachments
<ul style="list-style-type: none"> - JA1013 Anti-splinter insert - Bosch T-shank jigsaw blade 	<ul style="list-style-type: none"> - JA1011 steel overshoe - JA1009 dust extraction kit, includes dust shroud, extraction tube, and vacuum hose adapter. - Various Bosch vacuum hoses - JA1010 circle and parallel cutting guide - Carrying case - Bosch T-shank jigsaw blades

Symboles relatifs à la sécurité

Les définitions ci-dessous décrivent le niveau de gravité pour chaque terme signalant un danger. Veuillez lire le mode d'emploi et lire la signification de ces symboles.

	C'est le symbole d'alerte relatif à la sécurité. Il est utilisé pour vous avertir de l'existence possible d'un danger de lésion corporelle. Obéissez à tous les messages relatifs à la sécurité qui suivent ce symbole pour éviter tout risque de blessure ou même de mort.
	DANGER indique une situation dangereuse qui, si elle n'est pas évitée, causera la mort d'une personne ou une blessure grave.
	AVERTISSEMENT indique une situation dangereuse qui, si elle n'est pas évitée, pourrait causer la mort d'une personne ou une blessure grave.
	MISE EN GARDE indique une situation dangereuse qui, si elle n'est pas évitée, causera une blessure légère ou modérée.

Avertissements généraux concernant la sécurité des outils électroportatifs

AVERTISSEMENT Lisez toutes les consignes de sécurité, instructions, illustrations et spécifications fournies avec cet outil électrique. Le non-respect de toutes les instructions figurant ci-après pourrait causer un choc électrique, un incendie et/ou des blessures graves.

CONSERVEZ TOUS LES AVERTISSEMENTS ET TOUTES LES CONSIGNES DE SÉCURITÉ POUR RÉFÉRENCE FUTURE.

Dans les avertissements, le terme « outil électroportatif » se rapporte à votre outil branché sur le secteur (avec fil) ou à votre outil alimenté par piles (sans fil).

1. Sécurité du lieu de travail

- a. **Maintenez le lieu de travail propre et bien éclairé.** Les risques d'accident sont plus élevés quand on travaille dans un endroit encombré ou sombre.
- b. **N'utilisez pas d'outils électroportatifs dans des atmosphères explosives, comme par exemple en présence de gaz, de poussières ou de liquides inflammables.** Les outils électroportatifs produisent des étincelles qui risquent d'enflammer les poussières ou les vapeurs.
- c. **Éloignez les enfants et les visiteurs quand vous vous servez d'un outil électroportatif.** Vous risquez une perte de contrôle si on vous distrait.
- d. **Évitez tout contact du corps avec des surfaces reliées à la terre tels que tuyaux, radiateurs, gazinières ou réfrigérateurs.** Le risque de choc électrique augmente si votre corps est relié à la terre.
- e. **N'exposez pas les outils électroportatifs à la pluie ou à l'humidité.** Si de l'eau pénètre dans un outil électroportatif, le risque de choc électrique augmente.
- f. **Ne maltraitez pas le cordon. Ne vous en servez jamais pour transporter l'outil électroportatif, pour le tirer ou pour le débrancher.** Éloignez le cordon de la chaleur, des huiles, des arêtes coupantes ou des pièces mobiles. Les cordons abîmés ou emmêlés augmentent les risques de choc électrique.

2. Sécurité électrique

- a. **Les fiches des outils électroportatifs doivent correspondre à la prise. Il ne faut absolument jamais modifier la fiche. N'utilisez pas d'adaptateur de prise avec des outils électroportatifs munis d'une fiche de terre.** Le risque de choc électrique est moindre si on utilise une fiche non modifiée sur une prise qui lui correspond.
- e. **Si vous utilisez un outil électroportatif à l'extérieur, employez une rallonge conçue pour l'extérieur.** Ces rallonges sont faites pour l'extérieur et réduisent le risque de choc électrique.

Avertissements généraux concernant la sécurité des outils électroportatifs

- f. **S'il est absolument nécessaire d'utiliser l'outil électroportatif dans un endroit humide, utilisez une alimentation protégée par un disjoncteur de fuite de terre (GFCI).** L'utilisation d'un disjoncteur GFCI réduit les risques de choc électrique.

3. Sécurité personnelle

- a. **Restez concentré, faites attention à ce que vous faites, et servez-vous de votre bon sens lorsque vous utilisez un outil électroportatif. N'employez pas d'outils électroportatifs quand vous êtes fatigué ou sous l'emprise de drogues, d'alcool ou de médicaments.** Quand on utilise des outils électroportatifs, il suffit d'un moment d'inattention pour causer des blessures corporelles graves.
- b. **Utilisez des équipements de sécurité personnelle. Portez toujours une protection oculaire.** Le port d'équipements de sécurité tels que des masques antipoussières, des chaussures de sécurité antidérapantes, des casques de chantier et des protecteurs d'oreilles dans des conditions appropriées réduira le risque de blessure corporelle.
- c. **Évitez les démarrages intempestifs. Assurez-vous que l'interrupteur est dans la position arrêt (Off) avant de brancher l'outil dans une prise de courant et/ou un bloc-piles, de le ramasser ou de le transporter.** Le transport d'un outil électroportatif avec le doigt sur la gâchette ou le branchement de cet outil quand l'interrupteur est en position de marche (ON) est une invite aux accidents.
- d. **Enlevez toutes les clés de réglage avant de mettre l'outil électroportatif en marche.** Si on laisse une clé sur une pièce tournante de l'outil électroportatif, il y a risque de blessure corporelle.
- e. **Ne vous penchez pas. Conservez toujours une bonne assise et un bon équilibre.** Ceci vous permettra de mieux maîtriser l'outil électroportatif dans des situations inattendues.
- f. **Habilitez-vous de manière appropriée. Ne portez pas de vêtements amples ou de bijoux. Attachez les cheveux longs. N'approchez pas les cheveux, les vêtements ou les gants des pièces en mouvement.** Les vêtements amples, les bijoux ou les cheveux longs risquent d'être happés par les pièces en mouvement.
- g. **Si l'outil est muni de dispositifs permettant le raccordement d'un système d'aspiration et de collecte des poussières, assurez-vous que ces dispositifs sont raccordés et utilisés correctement.** L'utilisation d'un dépoussiéreur peut réduire les dangers associés à l'accumulation de poussière.
- h. **Ne laissez pas la familiarité résultant de l'utilisation fréquente des outils vous inciter à devenir complaisant(e) et à ignorer les principes de sécurité des outils.** Une action négligente pourrait causer des blessures graves en une fraction de seconde.

4. Utilisation et entretien des outils électroportatifs

- a. **Ne forcez pas sur l'outil électroportatif. Utilisez l'outil électroportatif qui convient à la tâche à effectuer.** L'outil qui convient à la tâche fait un meilleur travail et est plus sûr à la vitesse pour lequel il a été conçu.
- b. **Ne vous servez pas de l'outil électroportatif si son interrupteur ne parvient pas à le mettre en marche ou à l'arrêter.** Tout outil électroportatif qui ne peut pas être commandé par son interrupteur est dangereux et doit être réparé.
- c. **Débranchez la fiche de la prise secteur et/ou retirez le bloc-piles de l'outil électrique (s'il est amovible) avant d'y apporter de quelconques modifications, de changer d'accessoire ou de ranger l'outil électrique.** De telles mesures de sécurité préventive réduisent le risque de démarrage intempestif de l'outil électroportatif.
- d. **Rangez les outils électroportatifs dont vous ne vous servez pas hors de portée des enfants et ne permettez pas à des personnes qui ne connaissent pas l'outil électroportatif ou qui ignorent ces consignes de s'en servir.** Les outils électroportatifs sont dangereux dans les mains d'utilisateurs inexpérimentés.
- e. **Entretenez de façon appropriée les outils électriques et les accessoires.** Assurez-vous que les pièces en mouvement sont bien alignées et qu'elles ne se coincent pas, qu'il n'y a pas de pièces cassées ou qu'il n'existe aucune situation pouvant affecter le fonctionnement de l'outil électrique. Si l'outil est abîmé, faites-le

Avertissements généraux concernant la sécurité des outils électroportatifs

réparer avant de l'utiliser. De nombreux accidents sont causés par des outils électroportatifs mal entretenus.

- f. **Maintenez les outils coupants affûtés et propres.** Les outils coupants entretenus correctement et dotés de bords tranchants affûtés sont moins susceptibles de coincer et sont plus faciles à maîtriser.
- g. **Utilisez l'outil électroportatif, les accessoires et les embouts d'outil, etc. conformément à ces instructions, en tenant compte des conditions de travail et des travaux à réaliser.** L'emploi d'outils électroportatifs pour des tâches différentes de celles pour lesquelles ils ont été prévus peut résulter en une situation dangereuse.
- h. **Gardez les poignées et les surfaces de préhension propres, sèches et exemptes**

de toute trace d'huile ou de graisse. Les poignées et les surfaces de préhension glissantes ne permettent pas une manipulation et un contrôle sûrs de l'outil dans des situations inattendues.

5. Entretien

- a. **Faites réparer votre outil électroportatif par un agent de service qualifié n'utilisant que des pièces de rechange identiques.** Ceci assure que la sécurité de l'outil électroportatif est préservée.

Consignes de sécurité pour les scies à chantourner

- a. **Tenez l'outil électroportatif par ses surfaces de préhension isolées lorsque vous effectuez une opération à l'occasion de laquelle l'accessoire de coupe risque d'entrer en contact avec un fil caché ou avec son propre cordon d'alimentation.** Tout contact de l'accessoire de coupe avec un fil sous tension risque de mettre aussi sous tension les parties métalliques exposées de l'outil électroportatif, ce qui pourrait causer un choc électrique pour l'opérateur.
- b. **Utilisez des brides ou d'autres moyens pratiques de brider ou de supporter la pièce sur une plate-forme stable.** Tenir la pièce à la main ou contre le corps la rend instable et risque de résulter en une perte de contrôle.
- c. **Il ne faut pas percer, assujettir ou casser des murs ou d'autres structures sans visibilité à l'intérieur desquels des fils électriques peuvent se trouver.** S'il n'est pas possible d'éviter une telle situation, déconnectez tous les fusibles ou disjoncteurs des circuits alimentant ce lieu de travail
- d. **Ne laissez jamais la gâchette verrouillée en position de marche (« ON »).** Avant de brancher l'outil, assurez-vous que le

verrou de la gâchette est dans la position « OFF » (Désactivée). Des mises en marche accidentelles risqueraient de causer des blessures.

- e. **Assurez-vous que vous savez toujours où se trouve le bouton de l'interrupteur « Lock-ON » (Verrouillage activé) et dans quelle position il se trouve.** Si l'interrupteur est verrouillé dans la position « ON » (Activée) pendant l'emploi de l'outil, soyez prêt à le faire passer dans la position « OFF » (Désactivée) en cas d'urgence ; pour ce faire, tirez d'abord sur la gâchette, puis relâchez-la immédiatement sans appuyer sur le bouton « Lock-ON » (Verrouillage activé).
- f. **Gardez les mains à distance de la zone de coupe. Ne mettez pas une main au-dessous du matériau que vous êtes en train de couper.** La distance entre la lame et votre main ne serait pas visible.
- g. **Ne mettez pas les mains entre le carter d'engrenage et le porte-lame de la scie.** Le porte-lame de la scie alternative risquerait de vous pincer les doigts.
- h. **N'utilisez pas de lames émoussées ou endommagées.** Une lame courbée risque de se casser facilement ou de produire un effet de rebond.

- i. **Avant de commencer à couper, mettez l'outil en marche (« ON ») et attendez que la lame tourne à pleine vitesse.** L'outil risque de trembler ou de vibrer si la lame tourne trop lentement au début de la coupe et de produire un effet de rebond.
- j. **Portez toujours des lunettes de sécurité ou un dispositif de protection des yeux lorsque vous utilisez cet outil. Utilisez un masque antipoussières ou un respirateur pour les applications qui produisent de la poussière.**
- k. **Assujettissez le matériau avant de le couper. Ne le tenez jamais entre vos mains ou sur vos genoux.** Les petits morceaux de matériau ou les matériaux minces peuvent se courber ou vibrer avec la lame, ce qui risquerait de causer une perte de contrôle de l'outil.
- l. **Assurez-vous que toutes les vis de réglage et le porte-lame sont bien serrés avant de commencer une coupe.** Les vis de réglage et les porte-lame lâches risquent de causer le dérapage de l'outil ou de la lame, ce qui peut produire une perte de contrôle.
- m. **Lorsque vous retirez la lame de l'outil, évitez tout contact avec la peau et utilisez des gants de protection appropriés pour saisir la lame ou l'accessoire.** Les accessoires risquent d'être chauds après une utilisation prolongée.
- n. **Si votre outil est muni d'un sac à poussière, videz-le fréquemment et après voir fini de scier.** Une combustion spontanée peut se produire au bout d'un certain temps en conséquence du mélange d'huile ou d'eau avec des particules de poussière. Prenez les précautions nécessaires quand vous jetez de la poussière car des matériaux décomposés en fines particules risquent d'être explosifs. Ne jetez pas le contenu du sac sur des flammes vives.

Avertissements supplémentaires concernant la sécurité

L'emploi d'un GFCI et de dispositifs de protection personnelle tels que gants et chaussures d'électricien en caoutchouc améliorent votre sécurité personnelle.

N'utilisez pas un outil conçu uniquement pour le C.A. sur une alimentation en C.C. Même si l'outil semble fonctionner, les composants électriques d'un outil prévu pour le C.A. tomberont probablement en panne et risquent de créer un danger pour l'utilisateur.

Maintenez les poignées sèches et exemptes d'huile et de graisse. On ne peut pas maîtriser un outil électroportatif en toute sécurité quand on a les mains glissantes.

Créez un agenda d'entretien périodique pour votre outil. Quand vous nettoyez un outil, faites attention de n'en démonter aucune pièce car il est toujours possible de mal remonter ou de pincer les fils internes ou de remonter incorrectement les ressorts de rappel des capots de protection. Certains agents de nettoyage tels que l'essence, le tétrachlorure de carbone, l'ammoniaque, etc. risquent d'abîmer les plastiques.

Risque de blessure pour l'utilisateur. Le cordon d'alimentation électrique ne doit être réparé que par un Centre de service usine de Bosch ou par une Station service agréée de Bosch.




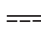



⚠ AVERTISSEMENT Les travaux à la machine tel que ponçage, sciage, meulage, perçage et autres travaux du bâtiment peuvent créer des poussières contenant des produits chimiques qui sont des causes reconnues de cancer, de malformation congénitale ou d'autres problèmes reproductifs. Ces produits chimiques sont, par exemple :

- Le plomb provenant des peintures à base de plomb,
- Les cristaux de silices provenant des briques et du ciment et d'autres produits de maçonnerie, et
- L'arsenic et le chrome provenant des bois traités chimiquement.

Le niveau de risque dû à cette exposition varie avec la fréquence de ces types de travaux. Pour réduire l'exposition à ces produits chimiques, il faut travailler dans un lieu bien ventilé et porter un équipement de sécurité approprié tel que certains masques à poussière conçus spécialement pour filtrer les particules microscopiques.












Symboles

Important : Certains des symboles suivants peuvent être utilisés sur votre outil. Veuillez les étudier et apprendre leur signification. Une interprétation appropriée de ces symboles vous permettra d'utiliser l'outil de façon plus efficace et plus sûre.

Symbole	Désignation / Explication
V	Volts (voltage)
Ah	Ampères/heure (mesure de la capacité de la pile)
A	Ampères (courant)
Hz	Hertz (fréquence, cycles par seconde)
W	Watt (puissance)
kg	Kilogrammes (poids)
min	Minutes (temps)
s	Seconds (temps)
∅	Diamètre (taille des mèches de perceuse, meules, etc.)
n_0	Vitesse à vide (vitesse de rotation, à vide)
n	Vitesse nominale (vitesse maximum pouvant être atteinte)
.../min	Tours ou mouvement alternatif par minute (tours, coups, vitesse en surface, orbites, etc., par minute)
0	Position d'arrêt (vitesse zéro, couple zéro ...)
1, 2, 3, ... I, II, III,	Réglages du sélecteur (Réglages de vitesse, de couple ou de position. Un nombre plus élevé signifie une vitesse plus grande)
	Sélecteur variable à l'infini avec arrêt (La vitesse augmente depuis le réglage 0)
	Flèche (action dans la direction de la flèche)
	Courant alternatif (type ou caractéristique du courant)
	Courant continu (type ou caractéristique du courant)
	Courant alternatif ou continu (type ou caractéristique du courant)
	Construction classe II (désigne des outils construits avec double isolation)
	Borne de terre (borne de mise à la terre)

Symboles

Important : Certains des symboles suivants peuvent être utilisés sur votre outil. Veuillez les étudier et apprendre leur signification. Une interprétation appropriée de ces symboles vous permettra d'utiliser l'outil de façon plus efficace et plus sûre.

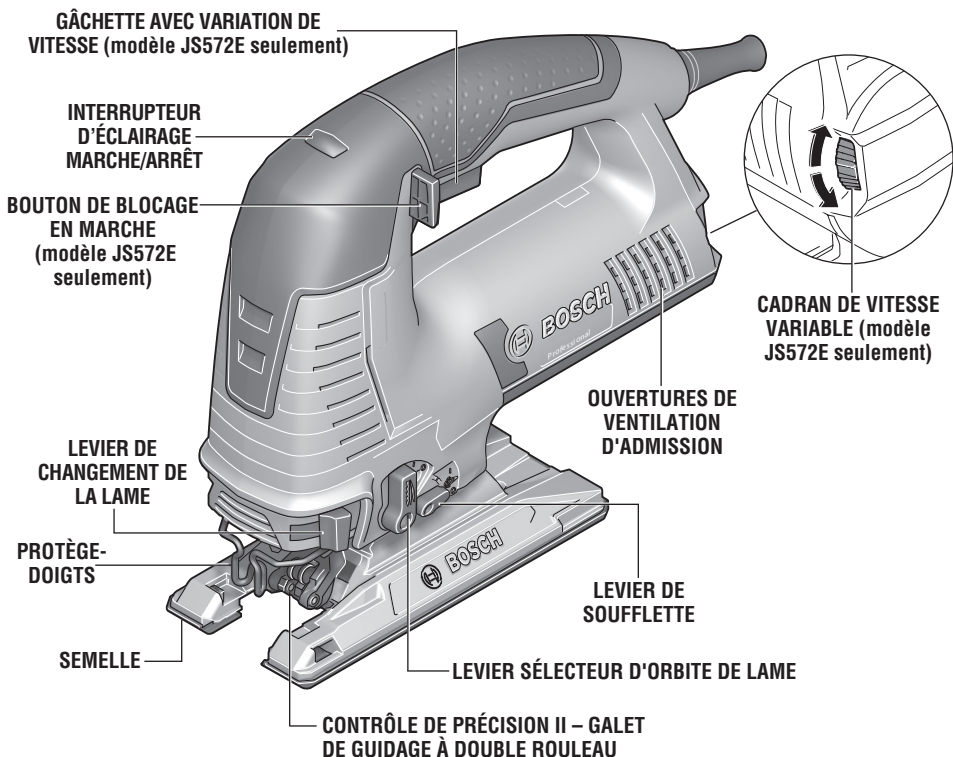
Symbole	Désignation / Explication
	Alerte l'utilisateur pour lire le mode d'emploi
	Alerte l'utilisateur pour porter des lunettes de sécurité
	Ce symbole signifie que cet outil est approuvé par Underwriters Laboratories.
	Ce symbole indique que ce composant est reconnu par Underwriters Laboratories.
	Ce symbole signifie que cet outil est approuvé par Underwriters Laboratories selon les normes des États-Unis et du Canada.
	Ce symbole signifie que cet outil est approuvé par l'Association canadienne de normalisation.
	Ce symbole signifie que cet outil est approuvé par l'Association canadienne de normalisation selon les normes des États-Unis et du Canada.
	Ce symbole signifie que cet outil est approuvé par Intertek Testing Services selon les normes des États-Unis et du Canada
	Ce symbole signifie que cet outil se conforme aux normes mexicaines NOM.
	Désigne le programme de recyclage des piles Li-ion.
	Désigne le programme de recyclage des piles Ni-Cad.

Description fonctionnelle et spécifications

AVERTISSEMENT Débranchez la fiche de la prise de courant avant d'effectuer quelque assemblage ou réglage que ce soit ou de changer les accessoires. Ces mesures de sécurité préventive réduisent le risque d'une mise en marche accidentelle de l'outil.

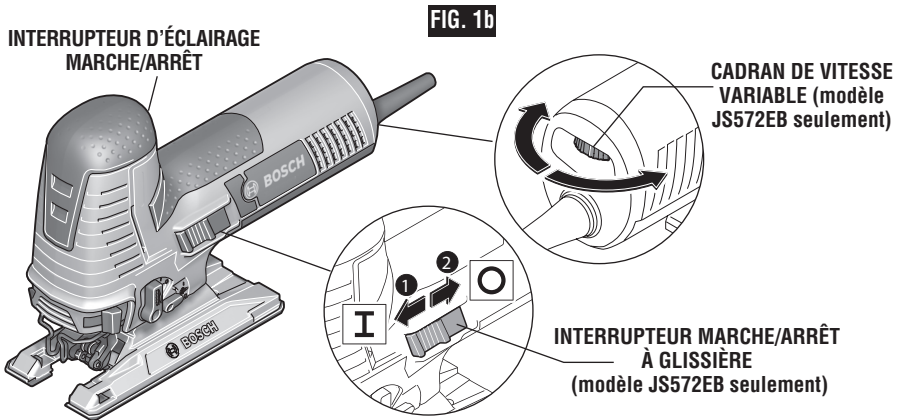
Scie à chantourner JS572E

FIG. 1a



Description fonctionnelle et spécifications

Scie à chantourner JS572EB



Numéro de modèle JS572E & JS572EB		
Capacités maximales	Longueur de la course	1" (25 mm)
	Bois	3-1/2" (89 mm)
	Aluminium	13/16" (20.6 mm)
	Acier doux	5/16" (8 mm)

REMARQUE : Pour spécifications de l'outil, reportez-vous à la plaque signalétique de votre outil.

Assemblage

⚠ AVERTISSEMENT Débranchez la fiche de la prise de courant avant d'effectuer quelque assemblage ou réglage que ce soit ou de changer les accessoires. Ces mesures de sécurité préventive réduisent le risque d'une mise en marche accidentelle de l'outil.

Installation et retrait de la lame

Cette scie à chantourner est équipée d'un système de changement de lame sans outil Bosch qui permet de changer rapidement et facilement les lames à tige en T.

(Remarque : cette scie à chantourner n'est pas compatible avec les lames à tige en U.)

Si la lame n'est pas installée correctement, elle risque de se déloger de la scie à chantourner lorsque l'outil est mis sous tension.

1. Pour retirer une lame utilisée précédemment, tirez sur le levier de changement de lame jusqu'à ce que la lame soit éjectée.

La lame s'éjecte violemment quand elle est libérée. Dirigez-la dans un sens où elle ne risque pas de blesser quelqu'un.

2. Tirez sur le levier de changement de lame jusqu'au point où l'encoche sur l'anneau de la bride de fixation de la lame s'aligne sur la fente au centre de la bride de fixation (Fig. 2).
3. Insérez la lame de scie (avec les dents dans le sens de la coupe) jusqu'à ce que la partie en forme de « T » de la tige de la

Assemblage

GALET DE GUIDAGE À DOUBLE ROULEAU

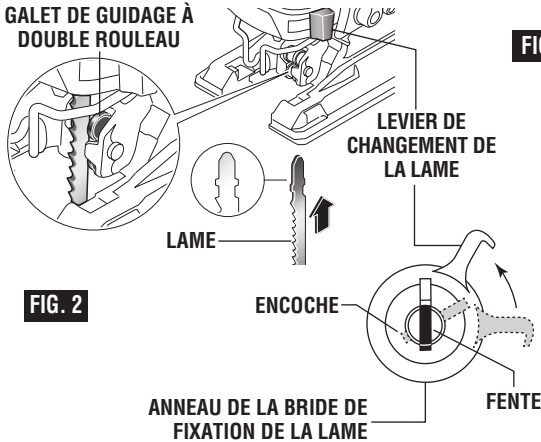
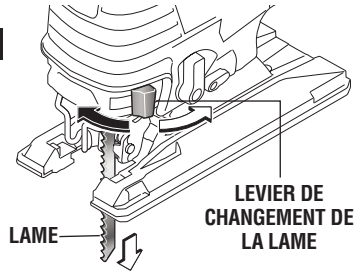


FIG. 3



lame soit complètement insérée dans la bride de fixation de la lame. (Lorsque vous insérez la lame de la scie, le bord arrière de la lame doit reposer dans les rainures du galet de guidage à double rouleau, Fig. 3).

4. Lorsque le levier de changement de lame est relâché, il se remet automatiquement en position fermée.
5. Vérifiez que la bride de fixation de la lame est également revenue dans sa position fermée (qui est le point où les fentes se trouvaient auparavant).

Remarque : si la lame de scie ne peut pas être insérée dans le piston plongeur, cela signifie que les fentes ne sont pas dans la position correcte.

Contrôle de la précision

Le système de guidage à double rouleau aide à assurer une déflexion minimale de la lame.

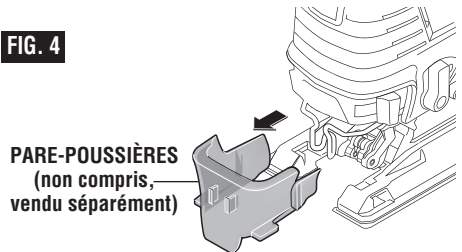
Aspiration des poussières (non compris, vendu séparément)

L'ensemble de dépoussiérage JA1012 comprend un pare-poussières et un tube d'aspiration des poussières pour connecter la scie à chantourner à un tuyau flexible d'aspirateur ou à un adaptateur de raccordement à un tuyau flexible d'aspirateur.

Remarque : le pare-poussières doit être utilisé quand le tube d'aspiration des poussières est raccordé à un système de nettoyage par aspiration.

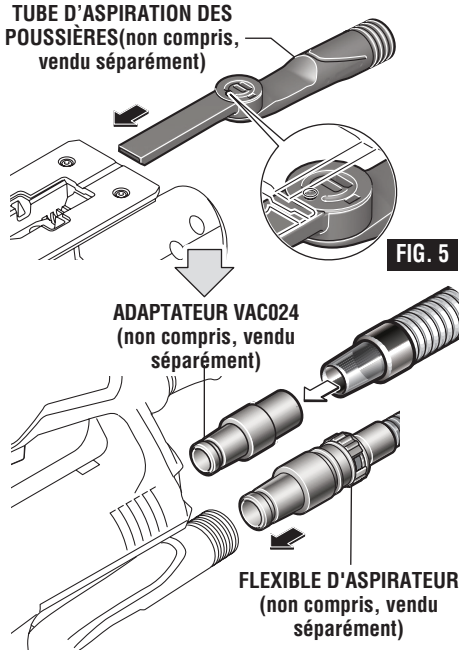
Pour utiliser cette fonctionnalité, insérez le tube d'aspiration des poussières dans la semelle (Fig. 4).

FIG. 4



Assemblage

Pour l'aspiration, vous pouvez raccorder directement un tuyau flexible d'aspirateur Bosch Air Sweep ou un adaptateur de raccordement (vendu séparément) au tube d'aspiration des poussières (Fig. 5).



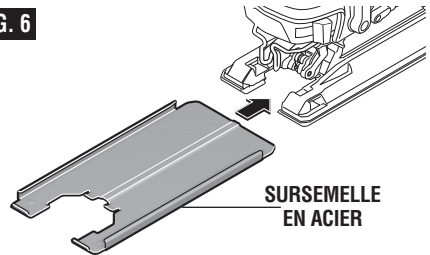
L'adaptateur VAC024 permet une connexion avec des tuyaux flexibles de 1 1/4 po et de 1 1/2 po.

Pose de la sursemelle en acier

Votre outil est pourvu d'une sursemelle protectrice en plastique qui protège les surfaces plus fines. Une sursemelle robuste en acier disponible en accessoire pour travailler dans des conditions difficiles est vendue séparément.

Pour attacher la sursemelle, faites-la glisser à fond dans le sens de la flèche sur la semelle en métal (Fig. 6).

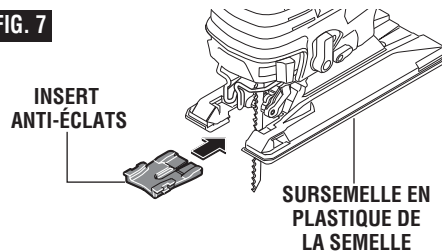
FIG. 6



Insert anti-éclats

Afin de réduire au minimum le risque d'écaillage de la surface supérieure du matériau qui est en train d'être coupé, placez la pièce rapportée de protection contre l'écaillage dans l'ouverture de la lame de la sursemelle en plastique de la semelle (Fig. 7).

FIG. 7



Remarque : la pièce rapportée de protection contre l'écaillage ne peut pas être utilisée lorsque la semelle est inclinée en vue de faire des coupes angulaires.

Remarque : Cet insert ne fonctionnera qu'avec des lames possédant des côtés rectifiés, telles que les T301CD, T101B, T101D, et T101DP.

Consignes de fonctionnement

⚠ AVERTISSEMENT Débranchez la fiche de la prise de courant avant d'effectuer quelque assemblage ou réglage que ce soit ou de changer les accessoires. Ces mesures de sécurité préventive réduisent le risque d'une mise en marche accidentelle de l'outil.

Vitesse du plongeur

La course ou la vitesse de coupe requise de la scie sauteuse dépend du matériau qui est coupé, du type de lame employé, et du taux d'alimentation préféré de l'opérateur.

C'est l'expérience qui permet en grande partie de déterminer la vitesse convenant le mieux à une application particulière bien qu'en règle générale, les vitesses plus lentes soient destinées aux matériaux plus denses et les vitesses plus rapides aux matériaux plus mous.

Il convient de remarquer que lorsque la scie sauteuse est utilisée à bas réglages de vitesse pendant une période prolongée, la température du moteur augmentera en raison des vitesses plus lentes du ventilateur de refroidissement interne. Dans ces cas, il faut parfois faire fonctionner l'outil à vitesse maximale pendant quelques minutes pour continuer à faire tourner le moteur avec une très grande efficacité.

Cadran de vitesse variable

Votre scie sauteuse est pourvue d'un cadran de vitesse variable. Vous pouvez régler la course de la lame durant l'opération de coupe en pré-réglant le cadran sur ou entre n'importe lequel de six numéros.

Réglage	Taux SPM (courses par minute)	
	JS572E	JS572EB
1	800 Max.	800
2	1200 Max.	1200
3	1700 Max.	1700
4	2100 Max.	2100
5	2600 Max.	2600
6	3000 Max.	3000

Interrupteur marche-arrêt à glissière (Modèles JS572EB seulement)

L'outil se met en marche à l'aide du bouton interrupteur situé sur le côté du carter du moteur. L'interrupteur se

bloqué à la position de marche, ce qui est pratique pour le sciage en continu (Fig. 1).

POUR METTRE L'OUTIL EN MARCHÉ, faites glisser le bouton interrupteur vers l'avant.

POUR DÉBLOQUER L'INTERRUPTEUR, faites-le glisser vers l'arrière.

Gâchette avec variation de vitesse (Modèles JS572E seulement)

Votre outil est doté d'un interrupteur à gâchette avec variation de vitesse. Enfoncez ou relâchez la gâchette pour démarrer ou arrêter l'outil. La vitesse peut être ajustée du taux SPM minimum au taux SPM maximum, tel qu'indiqué sur le cadran de vitesse variable en appliquant une pression plus ou moins forte sur la gâchette. Plus la pression est élevée, plus la vitesse est grande (Fig. 1).

Quelle que soit la pression appliquée sur la gâchette, l'outil ne fonctionnera pas à une vitesse supérieure au réglage maximal de vitesse sélectionné sur le cadran de vitesse variable.

Bouton de blocage en marche (Modèles JS572E seulement)

Le bouton de blocage en position de marche (« Lock-ON ») situé sur la poignée de votre outil permet de faire tourner celui-ci de façon constante au taux SPM maximal fixé à l'avance sans avoir à tenir la gâchette (Fig. 1).

POUR BLOQUER LA GÂCHETTE EN POSITION MARCHÉ (ON) : enfoncez la gâchette, appuyez sur le bouton et relâchez la gâchette.

POUR DÉBLOQUER LA GÂCHETTE : appuyez sur la gâchette et relâchez-la sans appuyer sur le bouton de blocage en marche.

Si l'utilisateur appuie continuellement sur le bouton de blocage en marche, la gâchette ne peut pas être relâchée.

Consignes de fonctionnement

Éclairage

Votre outil est muni d'un système d'éclairage pour assurer une meilleure visibilité pendant le travail. Le cordon d'alimentation de l'outil doit être branché dans la source d'alimentation électrique pour que la lumière soit allumée. Pour allumer la lumière, appuyez sur l'interrupteur Marche/Arrêt. Pour éteindre la lumière, appuyez une nouvelle fois sur l'interrupteur Marche/Arrière (Fig. 1).

Circuit d'asservissement « constant response »

Le système d'asservissement électronique intégré assure un « démarrage progressif », réduisant ainsi les contraintes normalement produites par les démarrages à couple élevé. Le système permet également de maintenir la vitesse en charge à la valeur choisie, ce qui maximise les performances.

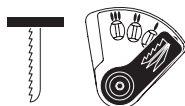
Levier sélecteur d'orbite de lame

On peut obtenir une efficacité maximale de coupe en réglant le levier sélecteur d'orbite de lame en fonction du matériau qu'on coupe.

Le tableau suivant vous aidera à déterminer le réglage à utiliser pour votre application. Ce tableau est destiné uniquement à servir de guide, et vous devez d'abord procéder à des coupes d'essai dans des matériaux de rebut afin de déterminer le meilleur réglage.

Réglage 0

Matériaux durs tels que métaux ou tôles minces et utilisés avec des lames à bord abrasif, du travail de râpe, et des lames de coupe vers le bas.



Réglage I

Matériaux mous où un travail de coupe plus net ou de chantournage délicat est exécuté.



Réglage II

Matériaux à densité moyenne tels que bois plus durs et panneaux d'agglomérés.



Réglage III

Matériaux mous tels que bois, plastiques, etc., et lorsqu'une coupe rapide est plus importante qu'une coupe nette.



Souffle-copeaux

Votre scie est pourvue d'un souffle-copeaux à deux positions pour aider à garder la ligne de coupe exempte de copeaux.

En réglant le levier du souffle-copeaux, vous pouvez modifier la force de l'air de décharge comme suit :

SOUFFLE-COPEAUX EN MARCHÉ.



Pour le travail avec le bois, les plastiques et les matériaux similaires qui produisent de grandes quantités de bran de scie.

SOUFFLE-COPEAUX À L'ARRÊT.



Pour le travail des métaux et lorsque des agents de refroidissement sont utilisés, ou avec l'accessoire de ramassage des poussières.

Réglage de l'angle de la semelle

La semelle peut être inclinée de manière à permettre des coupes à angle jusqu'à 45° dans un sens ou dans l'autre (Fig. 8).

Remarque : avant de procéder au réglage de la semelle, retirez le pare-poussières et la pièce rapportée de protection contre l'écaillage si vous l'avez installée.

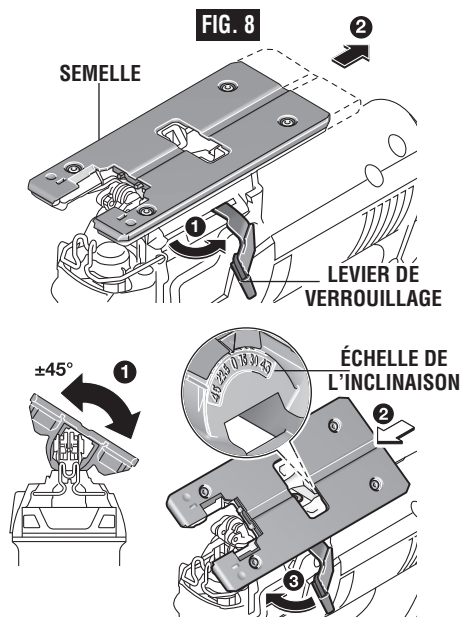
Ouvrez le levier de verrouillage pour déverrouiller la semelle. Appuyez sur la semelle et maintenez-la fermement enfoncée vers l'arrière de l'outil comme indiqué. Tout en tenant la semelle enfoncée vers l'arrière, inclinez la semelle à l'angle désiré sur l'échelle de biseau, puis relâchez la pression sur la semelle pour qu'elle s'engage dans le cran à l'angle désiré (Fig. 8).

Les fentes à cran maintiendront fermement la semelle en place à un angle de 0° & 45°, et il existe des repères additionnels pour les angles de 15°, 22,5° et 30°.

Fermez lentement le levier de

Consignes de fonctionnement

verrouillage pour assurer que la semelle est verrouillée à l'angle désiré.



Conseils concernant les outils

⚠ AVERTISSEMENT Tenez toujours la scie par ses surfaces de préhension isolées à l'avant de l'outil et par la poignée de l'interrupteur. Le fait de ne pas tenir l'outil par la surface de préhension isolée pourrait causer un choc électrique ou une électrocution dans le cas où la scie entrerait en contact avec un fil électrique sous tension dans une zone sans visibilité.

Assurez-vous toujours que les ouvrages plus petits sont fixés solidement à un établi ou autre support. Les panneaux plus grands peuvent être tenus en place à l'aide de pinces de fixation sur un établi ou de chevalets de scieur.

Pour commencer une coupe, marquez clairement la ligne de coupe, et faites reposer l'avant de la semelle sur l'ouvrage. Engagez l'interrupteur, et mettez la lame dans l'ouvrage en n'utilisant qu'une pression avant afin que la lame continue à couper régulièrement. Ne forcez pas, car ceci

n'entraînera pas une coupe plus rapide, laissez la lame faire le travail.

Choisissez les lames soigneusement car l'aptitude de la scie sauteuse à suivre les courbes, à produire des finis réguliers ou à scier rapidement est directement fonction du type de lame employé (consultez votre revendeur Bosch).

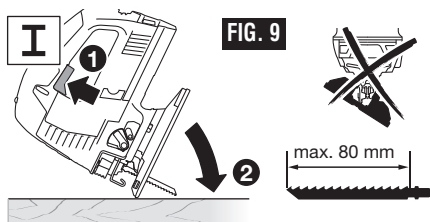
Pour les courbes serrées il est préférable d'utiliser une lame étroite ou à chantourner.

Pour le sciage du métal ou de matériaux similaires, éteignez la soufflette et arrosez le long du trait de scie avec du liquide de coupe ou du lubrifiant. N'utilisez pas d'extraction.

L'utilisation d'une lame à dents inversées telle que la lame Bosch T101BR nécessite un réglage orbital sur « 0 » et l'application d'une pression descendante sur le haut de la lame.

Coupe en plongée

La coupe en plongée est utile et pratique pour pratiquer des ouvertures grossières dans les matériaux plus mous. Il n'est pas nécessaire de percer un trou pour une coupe intérieure ou en guichet. La lame la plus longue pouvant être utilisée pour effectuer des coupes en plongée est de 3 1/8 po (80 mm). La semelle doit être réglée sur 0° (Fig. 9).



Tracez les lignes de l'ouverture, tenez fermement la scie, inclinez-la de sorte que l'extrémité avant de sa semelle repose sur la pièce, mais la lame suffisamment éloignée. Mettez l'outil sous tension et faites-le fonctionner à la vitesse maximum, puis abaissez très progressivement la lame (Fig. 10).

Quand elle touche à la pièce, continuez d'appuyer sur l'extrémité avant de la semelle en rabattant lentement la scie comme une charnière jusqu'à ce que la lame traverse le matériau et que la

Consignes de fonctionnement

semelle repose à plat sur la pièce. Ensuite, continuez de scier dans la ligne. Nous ne recommandons pas la coupe en plongée avec une lame à chantourner. N'essayez pas de pratiquer la coupe en plongée dans des matériaux durs tels que l'acier.

Pour produire des coins bien carrés, coupez jusqu'au coin, puis reculez légèrement avant de contourner le coin. Une fois que l'ouverture est réalisée, retournez à chaque coin et coupez-le depuis le sens opposé pour l'égaliser.

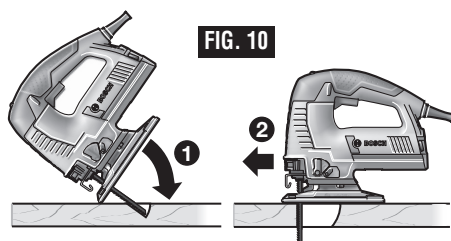


FIG. 10

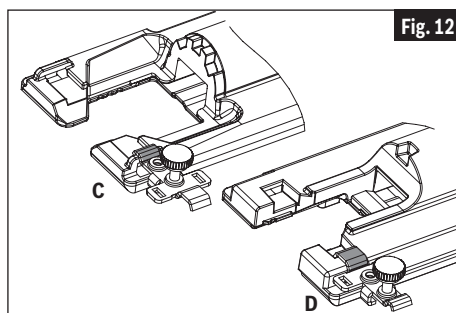
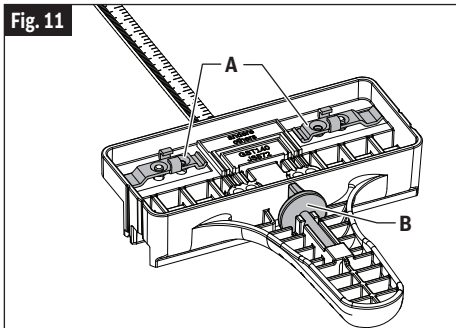
JA1010 Coupe-cercles et guide parallèle

(vendue séparément)

Le kit d'accessoires JA1010 est utilisé pour effectuer des coupes droites et circulaires rapides et précises. Il comprend le guide pour l'attacher à la scie sauteuse **A** et une cheville centrale pour guider les coupes circulaires **B**. Les brides de fixation et la cheville centrale peuvent être rangées sur le guide (Fig. 11).

Une extrémité de la bride de fixation est utilisée pour attacher la barre du guide aux scies sauteuses qui ont des sommets étroits sur leurs fentes de montage de la plaque d'assise **(C)** et l'autre extrémité est utilisée pour attacher la barre du guide aux scies sauteuses qui ont des sommets larges sur leurs fentes de montage de la plaque d'assise **(D)** (Fig. 12).

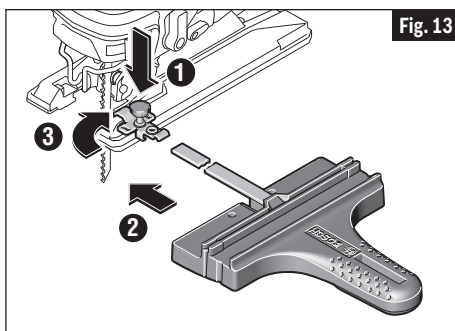
Dans la mesure du possible, attachez la barre à la scie sauteuse en utilisant les deux brides de fixation pour renforcer l'assujettissement et améliorer la précision.



Consignes de fonctionnement

RACCORDEMENT DU GUIDE À LA SCIE SAUTEUSE

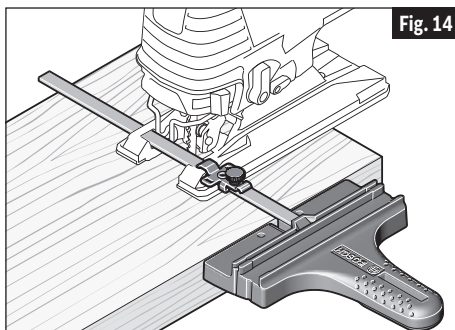
1. Orientez la bride de fixation de la lame de telle façon que son extrémité appropriée puisse être lacée sur le pied de la scie sauteuse depuis n'importe quel côté de l'outil.
2. Insérez la barre du guide à travers une bride de fixation, puis à travers les fentes pratiquées dans le pied, afin que le guide longitudinal soit orienté correctement pour l'application prévue, que ce soit une coupe parallèle ou une coupe circulaire. (Si possible, placez la deuxième bride de fixation sur la barre depuis le côté opposé de la scie sauteuse.)
3. Placez le(s) bouton(s) de verrouillage du côté approprié de la bride ou des brides de fixation, puis serrez à fond le(s) bouton(s) sur la bride ou les brides de fixation (Fig. 13).



COUPE PARALLÈLE

Des coupes parallèles peuvent être effectuées de 5/8 po (16 mm) à 6 po (170 mm) depuis le bord de l'ouvrage.

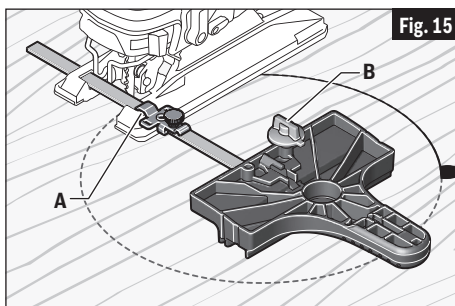
1. La surface du guide longitudinal doit être positionnée LE LONG de l'ouvrage (Fig. 14).
2. Accrochez la ou les bride(s) de fixation sur la plaque d'assise, ajustez le guide longitudinal pour qu'il ait la largeur désirée et placez le(s) bouton(s) de verrouillage du côté approprié de la ou des bride(s) de fixation.
3. Serrez fermement le(s) bouton(s) de verrouillage sur la ou les bride(s) de fixation (Fig. 13).
4. Insérez la fiche de la scie sauteuse dans la source d'alimentation, tenez la scie fermement, comprimez la gâchette et poussez lentement la scie vers l'avant (Fig. 14).



COUPE CIRCULAIRE

Des coupes circulaires de 5 po (127 mm) à 16 1/2 po (420 mm) de diamètre peuvent être effectuées.

1. Déterminez le point central du cercle désiré.
2. Percez un trou central de 16 po (5 mm) dans l'ouvrage 7/8" (23 mm) profond. (Pour plus de précision,

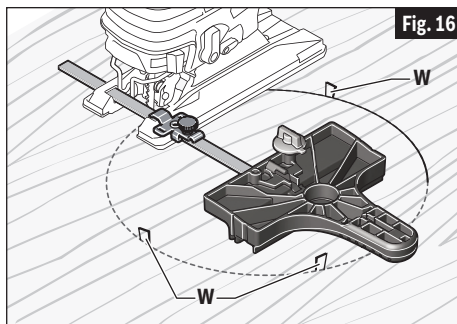


percez le trou en utilisant une perceuse à colonne si cela est possible).

3. Percez ou effectuez une coupe en plongée près du bord du cercle, arrêtez la scie et débranchez-la de sa source d'alimentation.
4. Insérez la barre du guide à travers une bride de fixation, puis à travers les trous pratiqués dans le pied, depuis n'importe quel côté du pied, (Fig. 15). (Si possible, placez la deuxième bride de fixation sur la barre depuis le côté opposé de la scie sauteuse.)

Consignes de fonctionnement

- Retirez la cheville du guide **B** de l'extrémité du guide, enfoncez la cheville à travers le trou approprié dans le guide, puis dans le trou central de l'ouvrage. (En cas d'utilisation avec une scie sauteuse Bosch JS572 – ou avec la scie sauteuse sans fil JSH180 – les trous comportant des repères pour JS572 doivent être utilisés.) Pour d'autres scies sauteuses, l'un des autres trous doit être utilisé.
- Mesurez la distance depuis le centre du trou jusqu'au rayon du cercle désiré. Ajustez cette mesure suivant les besoins pour tenir compte de la largeur de la lame :
 - Lors de la coupe d'un trou, coupez depuis l'intérieur du rayon prévu.
 - Lors de la coupe de roues ou de disques, coupez depuis l'extérieur du rayon prévu.
- Accrochez la ou les bride(s) de fixation à la plaque d'assise, et positionnez le guide en fonction de cette mesure du ajustée du rayon.
- Placez le(s) bouton(s) de fixation du côté approprié de la bride ou des brides de fixation, et serrez fermement le(s) bouton(s) de verrouillage sur la ou les bride(s) de fixation (Fig. 13).
- Insérez la fiche de la scie sauteuse dans la source d'alimentation, tenez la scie fermement, comprimez la gâchette et poussez lentement la scie vers l'avant.



CONSEILS POUR LES COUPES CIRCULAIRES :

- Placez de petits coins **W** dans la coupe comme illustré à la Fig. 16, afin d'empêcher le cercle intérieur de s'étendre lorsque vous approcherez de la fin de la coupe.
- Utilisez une lame de scie sauteuse épaisse, telle que la lame de scie Bosh T101TP ou T144DP dans la mesure du possible.
- Assurez-vous que le paramètre de réglage orbital de la scie sauteuse est 0 (zéro).
- Coupez lentement afin que la lame reste engagée tout droit dans la coupe.

Entretien

⚠ AVERTISSEMENT

Pour éviter les accidents, il faut toujours débrancher l'outil avant de le nettoyer ou de l'entretenir.

Service

⚠ AVERTISSEMENT

préventif effectué par des personnels non autorisés peut résulter en mauvais placement de fils internes ou de pièces, ce qui peut présenter un danger grave. Nous vous conseillons de faire faire tout l'entretien par un centre de service d'usine Skil ou une station service agréée Skil.

Lubrification de l'outil

Votre outil Skil a été lubrifié correctement en usine et il est prêt à l'utilisation. Nous vous conseillons de re-graisser les outils qui comportent des engrenages avec un lubrifiant à engrenages spécial à chaque fois que vous changez les balais.

Balais ou charbons

Les balais (ou charbons) et le collecteur de votre outil ont été conçus pour apporter de nombreuses heures de fonctionnement fiable. Pour maintenir le rendement du moteur à son maximum, nous vous conseillons de contrôler les balais tous les deux à six mois. Il ne faut utiliser que des balais de rechange Skil d'origine et conçus pour votre outil.

Paliers

Si les paliers commencent à faire du bruit (à cause de surcharges importantes ou du toupillage de matériaux très abrasifs) il faut les faire remplacer immédiatement pour éviter la surchauffe ou une panne de moteur.

Nettoyage

⚠ MISE EN GARDE

Certains agents de nettoyages et certains dissolvants abîment les pièces en plastique. Parmi ceux-ci se trouvent: l'essence, le tétrachlorure de carbone, les dissolvants de nettoyage chlorés,

l'ammoniaque ainsi que les détergents domestiques qui en contiennent.

Les ouïes de ventilation et les leviers de l'interrupteur doivent rester propres et exempts de corps étrangers. Ne tentez pas de les nettoyer en enfonçant des objets pointus dans les orifices.

Nettoyage du porte-lame

Nettoyez périodiquement le porte-lame. Pour ce faire, retirez la lame de la scie de l'outil et tapotez légèrement la semelle sur une surface horizontale.

Vaporisez périodiquement de l'huile dégrissante sur le porte-lame de scie (Fig. 17).

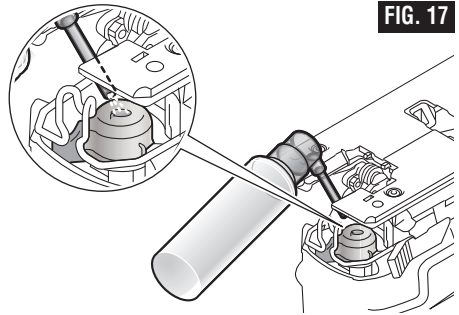


FIG. 17

Vérifiez périodiquement le rouleau du système de guidage. S'il est usé, il doit être remplacé par un Centre de service après-vente usine Bosch agréé.

Lubrifiez occasionnellement le rouleau du système de guidage avec une goutte d'huile (Fig. 18).

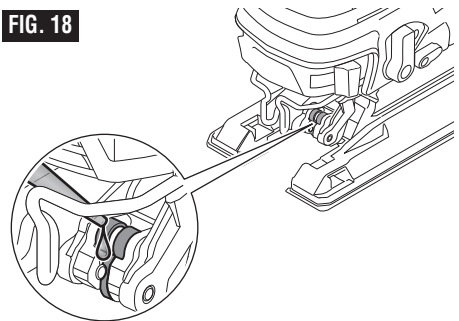


FIG. 18

Cordons de rallonge

⚠ AVERTISSEMENT Si un cordon de rallonge s'avère nécessaire, vous devez utiliser un cordon avec conducteurs de dimension adéquate pouvant porter le courant nécessaire à votre outil. Ceci préviendra une chute excessive de tension, une perte de courant ou une surchauffe. Les outils mis à la terre doivent utiliser des cordons de rallonge trifilaires pourvus de fiches à trois broches ainsi que des prises à trois broches.

REMARQUE : Plus le calibre est petit, plus le fil est gros.

DIMENSIONS DE RALLONGES RECOMMANDÉES OUTILS 120 VOLTS COURANT ALTERNATIF

Intensité nominale de l'outil	Calibre A.W.G.				Calibre en mm ²			
	Longueur en pieds				Longueur en mètres			
	25	50	100	150	15	30	60	120
3-6	18	16	16	14	0.75	0.75	1.5	2.5
6-8	18	16	14	12	0.75	1.0	2.5	4.0
8-10	18	16	14	12	0.75	1.0	2.5	4.0
10-12	16	16	14	12	1.0	2.5	4.0	-
12-16	14	12	-	-	-	-	-	-

Accessoires et attachements





⚠ AVERTISSEMENT L'utilisation d'autres accessoires ou attachements non spécifiés dans ce mode d'emploi pourrait être dangereuse.

Ranger les accessoires dans un environnement sec et tempéré pour éviter les risques de corrosion et de détérioration.

Équipement standard	Accessoires en option
<ul style="list-style-type: none"> - Dispositif anti-éclats JA1013 - Lame de scie à chantourner à tige en T Bosch 	<ul style="list-style-type: none"> - Sursemelle en acier JA1011 - Ensemble de dépoussiérage comprenant un pare-poussières, un tube d'aspiration des poussières et un adaptateur de raccordement à un tuyau flexible d'aspirateur. JA1009 - Tuyaux flexibles d'aspirateur Bosch - Coupe-cercles et guide parallèle JA1010 - Étui - Autres lames de scie à chantourner à tige en T Bosch

Símbolos de seguridad

Las definiciones que aparecen a continuación describen el nivel de gravedad de cada palabra de señal de seguridad. Por favor, lea el manual y preste atención a estos símbolos.

	Éste es el símbolo de alerta de seguridad. Se utiliza para alertarle a usted de posibles peligros de lesiones corporales. Obedezca todos los mensajes de seguridad que sigan a este símbolo para evitar posibles lesiones o muerte.
	PELIGRO indica una situación peligrosa que, si no se evita, causará la muerte o lesiones graves.
	ADVERTENCIA indica una situación peligrosa que, si no se evita, podría causar la muerte o lesiones graves.
	PRECAUCIÓN indica una situación peligrosa que, si no se evita, podría causar lesiones leves o moderadas.

Advertencias generales de seguridad para herramientas mecánicas

ADVERTENCIA Lea todas las advertencias de seguridad, instrucciones, ilustraciones y especificaciones suministradas con esta herramienta eléctrica. Si no se siguen todas las instrucciones que se indican a continuación, es posible que el resultado sea descargas eléctricas, incendio y/o lesiones graves.

GUARDE TODAS LAS ADVERTENCIAS E INSTRUCCIONES PARA REFERENCIA FUTURA

La expresión “herramienta mecánica” en las advertencias se refiere a su herramienta mecánica alimentada por la red eléctrica (herramienta alámbrica) o su herramienta mecánica alimentada por baterías (herramienta inalámbrica).

1. Seguridad del área de trabajo

- Mantenga el área de trabajo limpia y bien iluminada.** Las áreas desordenadas u oscuras invitan a que se produzcan accidentes.
 - No utilice herramientas mecánicas en atmósferas explosivas, como por ejemplo en presencia de líquidos, gases o polvos inflamables.** Las herramientas mecánicas generan chispas que pueden incendiar el polvo o los vapores.
 - Mantenga alejados a los niños y a las personas que estén presentes mientras esté utilizando una herramienta mecánica.** Las distracciones pueden hacerle perder el control de la herramienta.
- tomacorrientes coincidentes reducirán el riesgo de sacudidas eléctricas.
 - Evite el contacto del cuerpo con las superficies conectadas o puestas a tierra, tales como tuberías, radiadores, estufas y refrigeradores.** Hay un aumento del riesgo de sacudidas eléctricas si el cuerpo del operador se conecta o pone a tierra.
 - No exponga las herramientas mecánicas a la lluvia o a condiciones mojadas.** La entrada de agua en una herramienta mecánica aumentará el riesgo de que se produzcan sacudidas eléctricas.
 - No maltrate el cordón de energía. No use nunca el cordón para transportar la herramienta mecánica, tirar de ella o desenchufarla. Mantenga el cordón alejado del calor, el aceite, los bordes afilados o las piezas móviles.** Los cordones dañados o enganchados aumentan el riesgo de que se produzcan sacudidas eléctricas.

2. Seguridad eléctrica

- Los enchufes de las herramientas mecánicas deben coincidir con el tomacorriente. No modifique nunca el enchufe de ningún modo. No use enchufes adaptadores con herramientas mecánicas conectadas a tierra (puestas a tierra).** Los enchufes no modificados y los
- Cuando utilice una herramienta mecánica en el exterior, use un cordón de extensión adecuado para uso a la intemperie.** La utilización de un cordón adecuado para uso a la intemperie reduce el riesgo de que se produzcan sacudidas eléctricas.

Advertencias generales de seguridad para herramientas mecánicas

- f. Si es inevitable utilizar una herramienta mecánica en un lugar húmedo, utilice una fuente de energía protegida por un interruptor de circuito accionado por corriente de pérdida a tierra (GFCI). El uso de un GFCI reduce el riesgo de sacudidas eléctricas.

3. Seguridad personal

- a. Manténgase alerta, fíjese en lo que está haciendo y use el sentido común cuando esté utilizando una herramienta mecánica. No use una herramienta mecánica cuando esté cansado o bajo la influencia de drogas, alcohol o medicamentos. Un momento de distracción mientras esté utilizando herramientas mecánicas podría causar lesiones corporales graves.
- b. Use equipo de protección personal. Use siempre protección de los ojos. El equipo de protección, como por ejemplo una máscara antipolvo, calzado de seguridad antideslizante, casco o protección de oídos, utilizado para las condiciones apropiadas, reducirá las lesiones corporales.
- c. Evite el arranque accidental. Asegúrese de que el interruptor esté en la posición de apagado antes de conectar la herramienta a la fuente de energía y / o al paquete de batería, levantar la herramienta o transportarla. Transportar herramientas mecánicas con un dedo en el interruptor o encender herramientas mecánicas que tengan el interruptor en la posición de encendido invita a que se produzcan accidentes.
- d. Quite todas las llaves de ajuste o de tuerca antes de encender la herramienta mecánica. Una llave de tuerca o de ajuste que se deje colocada en una pieza giratoria de la herramienta mecánica podría causar lesiones corporales.
- e. No intente alcanzar demasiado lejos. Mantenga un apoyo de los pies y un equilibrio apropiados en todo momento. Esto permite controlar mejor la herramienta mecánica en situaciones inesperadas.
- f. Vístase adecuadamente. No use ropa holgada ni alhajas holgadas. Mantenga el pelo, la ropa y los guantes alejados de las piezas móviles. La ropa holgada, las alhajas holgadas o el pelo largo pueden quedar atrapados en las piezas móviles.
- g. Si se proporcionan dispositivos para la conexión de instalaciones de extracción y recolección de polvo, asegúrese de que

dichas instalaciones estén conectadas y se usen correctamente. El uso de dispositivos de recolección de polvo puede reducir los peligros relacionados con el polvo.

- h. No deje que la familiaridad obtenida con el uso frecuente de las herramientas le haga volverse complaciente e ignorar los principios de seguridad de las herramientas. Una acción descuidada puede causar lesiones graves en una fracción de segundo.

4. Uso y cuidado de las herramientas mecánicas

- a. No fuerce la herramienta mecánica. Use la herramienta mecánica correcta para la aplicación que desee realizar. La herramienta mecánica correcta hará el trabajo mejor y con más seguridad a la capacidad nominal para la que fue diseñada.
- b. No use la herramienta mecánica si el interruptor no la enciende y apaga. Toda herramienta mecánica que no se pueda controlar con el interruptor es peligrosa y debe ser reparada.
- c. Desconecte el enchufe de la fuente de alimentación y/o retire el paquete de batería de la herramienta eléctrica, si es extraíble, antes de hacer cualquier ajuste, cambiar accesorios o almacenar herramientas eléctricas. Dichas medidas preventivas de seguridad reducen el riesgo de arrancar accidentalmente la herramienta mecánica.
- d. Guarde las herramientas que no esté usando fuera del alcance de los niños y no deje que personas que no estén familiarizadas con la herramienta mecánica o con estas instrucciones utilicen la herramienta. Las herramientas mecánicas son peligrosas en manos de usuarios que no hayan recibido capacitación.
- e. Mantenga las herramientas eléctricas y sus accesorios. Compruebe si hay piezas móviles desalineadas o atoradas, si hay piezas rotas y cualquier otra situación que pueda afectar al funcionamiento de la herramienta eléctrica. Si la herramienta eléctrica está dañada, haga que sea reparada antes de utilizarla. Muchos accidentes son causados por herramientas mecánicas mantenidas deficientemente.
- f. Mantenga las herramientas de corte afiladas y limpias. Es menos probable que las herramientas de corte mantenidas

Advertencias generales de seguridad para herramientas mecánicas

apropiadamente, con bordes de corte afilados, se atoren, y dichas herramientas son más fáciles de controlar.

- g. Utilice la herramienta mecánica, los accesorios, las brocas de la herramienta, etc., de acuerdo con estas instrucciones, teniendo en cuenta las condiciones de trabajo y el trabajo que se vaya a realizar.** El uso de la herramienta mecánica para operaciones distintas a aquéllas para las que fue diseñada podría causar una situación peligrosa.
- h. Mantenga secos, limpios y libres de aceite y grasa los mangos y las superficies de agarre.** Si están resbalosos, los mangos y las superficies de agarre no permiten un manejo y un control seguros de la herramienta en situaciones inesperadas.

5. Servicio de ajustes y reparaciones

- a. Haga que su herramienta mecánica reciba servicio de un técnico de reparaciones calificado, utilizando únicamente piezas de repuesto idénticas.** Esto asegurará que se mantenga la seguridad de la herramienta mecánica.

Normas de seguridad para sierras caladoras

- a. Agarre la herramienta eléctrica por las superficies de agarre con aislamiento cuando realice una operación en la que el accesorio de corte pueda entrar en contacto con cables ocultos o con su propio cable de alimentación.** El accesorio de corte que entre en contacto con un cable que tenga corriente puede hacer que las partes metálicas de la herramienta eléctrica que estén al descubierto tengan corriente y podrían causar una descarga eléctrica al operador.
- b. Use abrazaderas u otro modo práctico de asegurar y soportar la pieza de trabajo en una plataforma estable.** Si se sujeta la pieza de trabajo con la mano o contra el cuerpo, se crea una situación inestable y es posible que eso cause pérdida de control.
- c. No taladre, apriete elementos de sujeción ni rompa en paredes existentes u otras áreas ciegas en las que pueda haber cables eléctricos.** Si esta situación es inevitable, desconecte todos los fusibles o cortacircuitos que alimenten este lugar de trabajo.
- d. No deje nunca el gatillo bloqueado en la posición de "ENCENDIDO". Antes de enchufar la herramienta, asegúrese de que el cierre del gatillo esté en la posición de "APAGADO".** Los arranques accidentales podrían causar lesiones.
- e. Conozca la ubicación y el ajuste del botón de "Fijación en ENCENDIDO" del interruptor.** Si el interruptor está bloqueado en la posición de "ENCENDIDO" durante el uso, esté preparado para, en situaciones de emergencia, ponerlo en la posición de "APAGADO", tirando primero del gatillo y soltándolo inmediatamente después sin oprimir el botón de "Fijación en ENCENDIDO".
- f. Mantenga las manos alejadas del área de corte. No las ponga debajo del material que se esté cortando.** La proximidad de la hoja a la mano queda oculta a la vista.
- g. Mantenga las manos alejadas del área entre la caja de engranajes y el portahoja de sierra.** El portahoja de sierra alternativa puede pellizcarle los dedos.
- h. No utilice hojas desafiladas o dañadas.** Una hoja doblada se puede romper fácilmente o causar retroceso.
- i. Antes de comenzar a cortar, ENCIENDA la herramienta y deje que la hoja alcance su velocidad completa.** La herramienta puede chirriar o vibrar si la velocidad de la hoja es demasiado lenta al comienzo del corte y posiblemente experimentar retroceso.

- j. **Use siempre anteojos de seguridad o protección ocular cuando utilice esta herramienta. Use una máscara antipolvo o un respirador para realizar aplicaciones que generen polvo.**
- k. **Sujete firmemente el material antes de cortarlo. No lo sostenga nunca en la mano ni sobre las piernas.** El material pequeño o delgado puede combarse o vibrar con la hoja, causando pérdida de control.
- l. **Asegúrese de que todos los tornillos de ajuste y el portahoja estén apretados antes de realizar un corte.** Los tornillos de ajuste y los portahojas flojos pueden hacer que la herramienta o la hoja resbale y el resultado de ello podría ser una pérdida de control.

Advertencias de seguridad adicionales

Un GFCI y los dispositivos de protección personal, como guantes de goma y calzado de goma de electricista, mejorarán más su seguridad personal.

No use herramientas mecánicas con capacidad nominal solamente para CA con una fuente de energía de CC. Aunque pueda parecer que la herramienta funciona correctamente, es probable que los componentes eléctricos de la herramienta con capacidad nominal para CA fallen y creen un peligro para el operador.

Mantenga los mangos secos, limpios y libres de aceite y grasa. Las manos resbalosas no pueden controlar de modo seguro la herramienta mecánica.

Desarrolle un programa de mantenimiento periódico de la herramienta. Cuando limpie una herramienta, tenga cuidado de no desmontar ninguna de sus partes, ya que los cables internos podrían reubicarse incorrectamente o pellizcarse, o los resortes de retorno de los protectores de seguridad podrían montarse incorrectamente. Ciertos agentes de limpieza, tales como gasolina, tetracloruro de carbono, amoníaco, etc., podrían dañar las piezas de plástico.

Riesgo de lesiones para el usuario. El cordón de energía debe recibir servicio de ajustes y reparaciones solamente por un Centro de Servicio de Fábrica Bosch o una Estación de Servicio Bosch Autorizada.




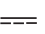



⚠ ADVERTENCIA Cierta **polvo generado por el lijado, aserrado, amolado y taladrado mecánicos, y por otras actividades de construcción, contiene agentes químicos que se sabe que causan cáncer, defectos de nacimiento u otros daños sobre la reproducción. Algunos ejemplos de estos agentes químicos son:**

- Plomo de pinturas a base de plomo,
- Sílice cristalina de ladrillos y cemento y otros productos de mampostería, y
- Arsénico y cromo de madera tratada químicamente.

Su riesgo por causa de estas exposiciones varía, dependiendo de con cuánta frecuencia realice este tipo de trabajo. Para reducir su exposición a estos agentes químicos: trabaje en un área bien ventilada y trabaje con equipo de seguridad aprobado, como por ejemplo máscaras antipolvo que estén diseñadas especialmente para impedir mediante filtración el paso de partículas microscópicas.

Símbolos

Importante: Es posible que algunos de los símbolos siguientes se usen en su herramienta. Por favor, estúdielos y aprenda su significado. La interpretación adecuada de estos símbolos le permitirá utilizar la herramienta mejor y con más seguridad.

Símbolo	Désignación / Explicación
V	Volt (tensión)
Ah	Amperios-hora (medición de la capacidad de la batería)
A	Ampere (corriente)
Hz	Hertz (frecuencia, ciclos por segundo)
W	Watt (potencia)
kg	Kilogramo (peso)
min	Minuto (tiempo)
s	Segundo (tiempo)
∅	Diámetro (tamaño de las brocas taladradoras, muelas, etc)
n_0	Velocidad sin carga (velocidad rotacional sin carga)
n	Velocidad nominal (máxima velocidad obtenible)
.../min	Revoluciones o alternación por minuto (revoluciones, golpes, velocidad de superficie, órbitas, etc., por minuto)
0	Posición "off" (velocidad cero, par motor cero...)
1, 2, 3, ... I, II, III,	Graduaciones del selector (graduaciones de velocidad, par motor o posición. Un número más alto significa mayor velocidad)
	Selector infinitamente variable con apagado (la velocidad aumenta desde la graduación de 0)
	Flecha (Acción en la dirección de la flecha)
	Corriente alterna (tipo o una característica de corriente)
	Corriente continua (tipo o una característica de corriente)
	Corriente alterna o continua (tipo o una característica de corriente)
	Construcción de clase II (designa las herramientas de construcción con aislamiento doble)
	Terminal de toma de tierra (terminal de conexión a tierra)

Símbolos

Importante: Es posible que algunos de los símbolos siguientes se usen en su herramienta. Por favor, estúdielos y aprenda su significado. La interpretación adecuada de estos símbolos le permitirá utilizar la herramienta mejor y con más seguridad.

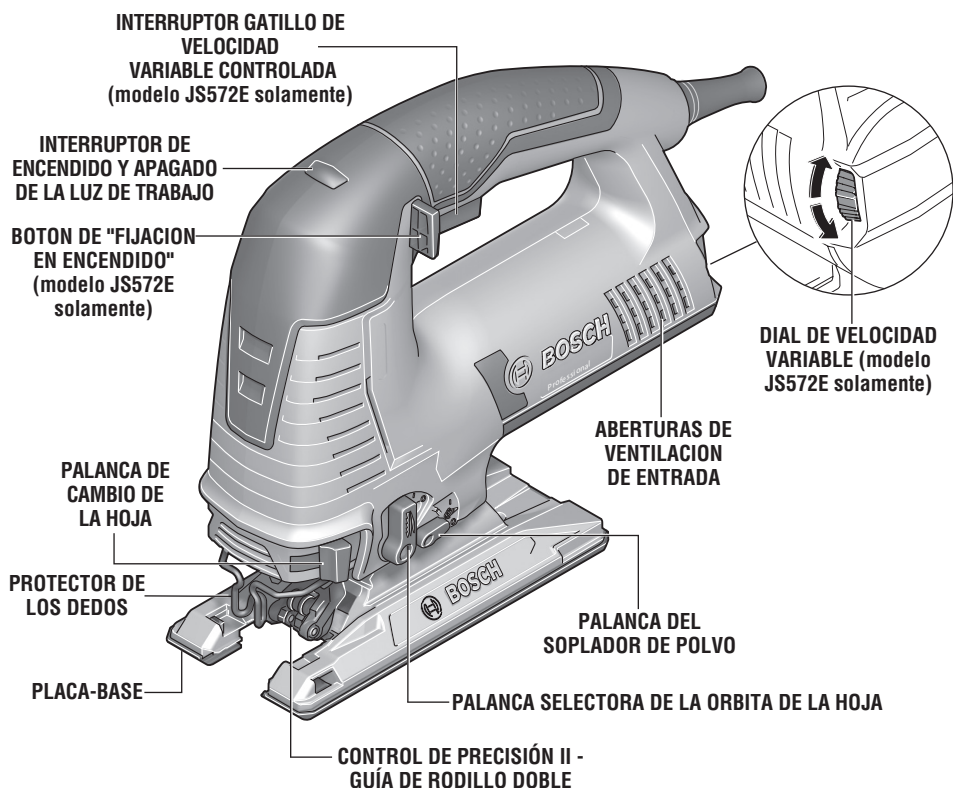
Símbolo	Désignación / Explicación
	Alerta al usuario para que lea el manual.
	Alerta al usuario para que use protección de los ojos.
	Este símbolo indica que esta herramienta está catalogada por Underwriters Laboratories.
	Este símbolo indica que este componente está reconocido por Underwriters Laboratories.
	Este símbolo indica que Underwriters Laboratories ha catalogado esta herramienta indicando que cumple con las normas estadounidenses y canadienses.
	Este símbolo indica que esta herramienta está catalogada por la Canadian Standards Association.
	Este símbolo indica que la Canadian Standards Association ha catalogado esta herramienta indicando que cumple con las normas estadounidenses y canadienses.
	Este símbolo indica que Intertek Testing Services ha catalogado esta herramienta indicando que cumple con las normas estadounidenses y canadienses.
	Este símbolo indica que esta herramienta cumple con la norma mexicana oficial (NOM).
	Designa el programa de reciclaje de baterías de Li-ion.
	Designa el programa de reciclaje de baterías de Ni-Cd.

Descripción funcional y especificaciones

⚠ ADVERTENCIA Desconecte el enchufe de la fuente de energía antes de realizar cualquier ensamblaje o ajuste, o cambiar accesorios. Estas medidas de seguridad preventivas reducen el riesgo de arrancar la herramienta accidentalmente.

Sierras caladoras JS572E

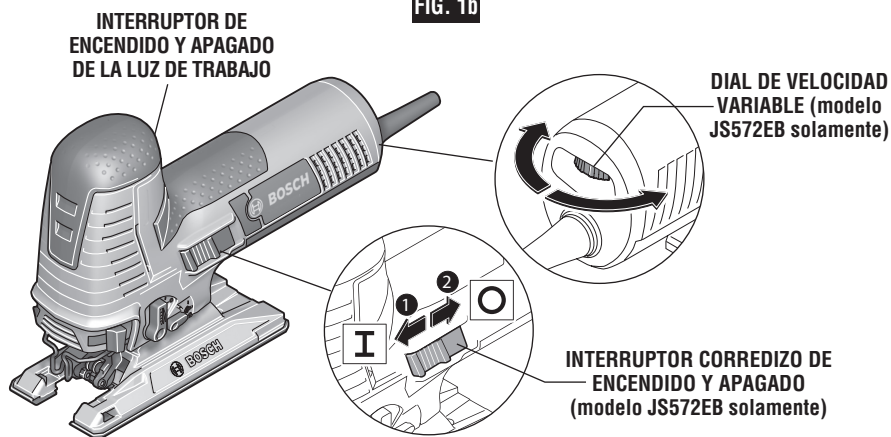
FIG. 1a



Descripción funcional y especificaciones

Sierras caladoras JS572EB

FIG. 1b



Número de modelo JS572E & JS572EB		
Capacidades máximas	Longitud de carrera	1" (25 mm)
	Madera	3-1/2" (89 mm)
	Aluminio	13/16" (20.6 mm)
	Acero suave	5/16" (8 mm)

NOTA: Para obtener las especificaciones de la herramienta, consulte la placa del fabricante colocada en la herramienta.

Ensamblaje

⚠ ADVERTENCIA Desconecte el enchufe de la fuente de energía antes de realizar cualquier ensamblaje o ajuste, o cambiar accesorios. Estas medidas de seguridad preventivas reducen el riesgo de arrancar la herramienta accidentalmente.

Instalación y remoción de la hoja

Esta sierra caladora está equipada con un sistema de cambio de hoja sin herramientas Bosch para realizar cambios rápidos y fáciles de hojas con vástago en T.

(Nota: Esta sierra caladora no acepta hojas con vástago en U.)

Si la hoja no está instalada correctamente, entonces es posible que se desacople inesperadamente de la sierra caladora al encender la herramienta.

1. Para retirar una hoja utilizada previamente, jale la palanca de cambio de la hoja hasta que ésta sea eyectada.

La hoja es eyectada con mucha fuerza al soltarla. Dirijala alejándola de usted o de las personas que estén presentes.

2. Jale la palanca de cambio de la hoja hasta el punto en que la muesca ubicada en el anillo de la abrazadera para la hoja se alinee con la ranura ubicada en el centro de la abrazadera (Fig. 2).
3. Inserte la hoja de sierra (con los dientes en la dirección de corte) hasta que la parte en "T" del vástago de la hoja esté

Ensamblaje

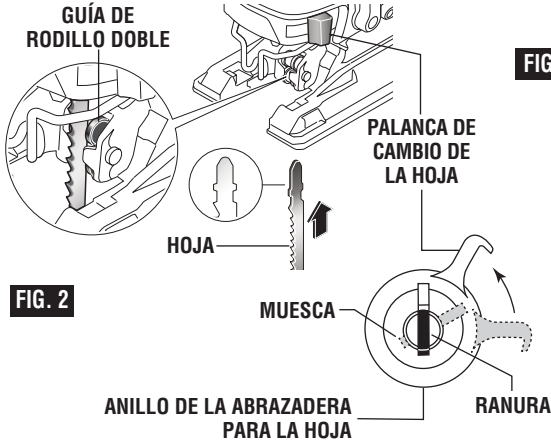


FIG. 2

completamente insertada en la abrazadera para la hoja. (Cuando inserte la hoja de sierra, el dorso de la hoja debe descansar en las ranuras ubicadas en la guía de rodillo doble) (Fig. 3).

4. Cuando se suelte la palanca de cambio de la hoja, dicha palanca saltará hacia atrás hasta su posición cerrada.
5. Verifique que la abrazadera para la hoja también haya regresado a su posición cerrada (que es el punto donde las ranuras estaban previamente).

Nota: Si la hoja de sierra no se puede insertar en el émbolo, las ranuras del portahoja no están en la posición correcta.

Control de la precisión

El sistema de guía de rodillo doble ayuda a asegurar que la desviación de la hoja sea mínima.

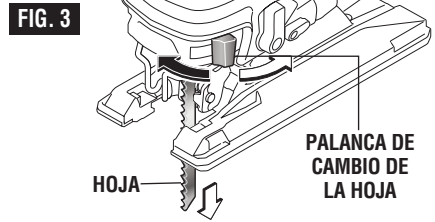


FIG. 3

Extracción de polvo (no incluido, se vende por separado)

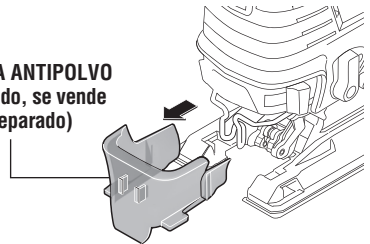
El juego de extracción de polvo JA1012 incluye una cubierta antipolvo y un tubo de extracción para conectar la sierra caladora a una manguera de aspiración o un adaptador de manguera de aspiración.

Nota: La cubierta antipolvo se debe utilizar cuando el tubo de extracción esté conectado a un sistema de aspiradora.

Para utilizar esta función, inserte el tubo de extracción en la placa-base (Fig. 4).

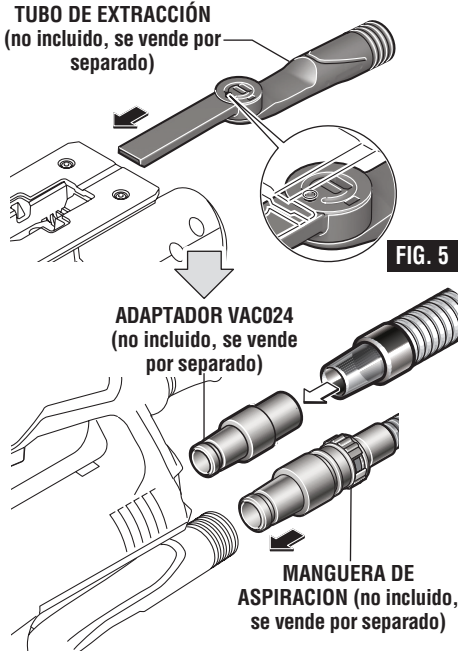
FIG. 4

CUBIERTA ANTIPOLVO (no incluido, se vende por separado)



Ensamblaje

Para aspirar, se puede conectar una manguera de aspiración o un adaptador de manguera Bosch Air Sweep (accesorio opcional) directamente al tubo de extracción (Fig. 5).



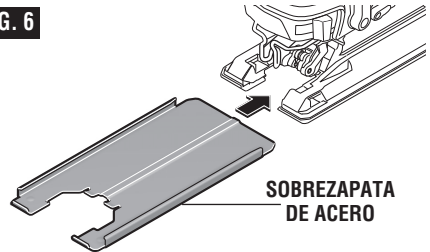
El adaptador VAC024 permite la conexión a mangueras de aspiración de 1-1/4 y 1-1/2 pulgadas.

Instalación de la sobrepata de acero

La herramienta está equipada con una sobrepata protectora de plástico que protege las superficies más finas. Se vende por separado una sobrepata de acero extrafuerte opcional para realizar trabajo en condiciones difíciles.

Para utilizar esta función, inserte el tubo de extracción en la placa-base (Fig. 6).

FIG. 6



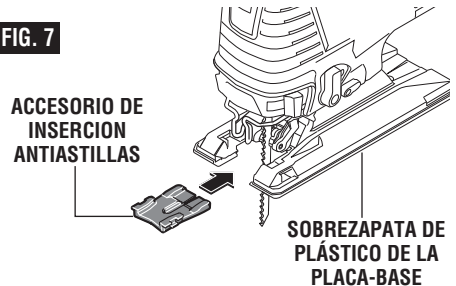
Accesorio de inserción antiastillas

Para minimizar el astillamiento de la superficie superior del material que se esté cortando, coloque el accesorio de inserción antiastillas en la abertura para la hoja ubicada en la sobrepata de plástico de la placa-base (Fig. 7).

Nota: El accesorio de inserción antiastillas no se puede utilizar cuando la placa-base esté inclinada para cortar en ángulo.

Nota: Este accesorio de inserción sólo funciona con hojas que tengan lados amolados, como la T301CD, T101B, T101D y T101DP.

FIG. 7



Instrucciones de funcionamiento

⚠ ADVERTENCIA Desconecte el enchufe de la fuente de energía antes de realizar cualquier ensamblaje o ajuste, o cambiar accesorios. Estas medidas de seguridad preventivas reducen el riesgo de arrancar la herramienta accidentalmente.

Velocidad del embolo

La velocidad requerida de corte o velocidad de carrera de la sierra caladora depende del material que se esté cortando, del tipo de hoja que se esté utilizando y de la velocidad de avance preferida por el operador.

La mejor velocidad para una aplicación específica se determina en su mayor parte por la experiencia, aunque como regla general, las velocidades más lentas son para materiales más densos y la velocidad más rápida es para materiales más blandos.

Tenga en cuenta que cuando la sierra caladora se utilice en las posiciones de baja velocidad durante un período de tiempo prolongado, la temperatura del motor subirá debido a las velocidades más lentas del ventilador interno de refrigeración. En dichos casos, es necesario hacer funcionar la herramienta ocasionalmente a máxima velocidad durante unos minutos para mantener el motor girando con una eficiencia máxima.

Dial de velocidad variable

La sierra caladora está equipada con un dial de velocidad variable. La velocidad de carrera de la hoja puede ajustarse durante la operación de corte preajustando el dial en cualquiera de los seis números o entre ellos.

Posición	Capacidad de CPM (carreras por minuto)	
	JS572E	JS572EB
1	800 Máx	800
2	1200 Máx	1200
3	1700 Máx	1700
4	2100 Máx	2100
5	2600 Máx	2600
6	3000 Máx	3000

Interruptor corredizo de encendido y apagado (Modelos JS572EB solamente)

La herramienta se enciende mediante el botón del interruptor ubicado en un lado de la caja del motor. El interruptor se fija en la posición de encendido, lo cual resulta práctico para el funcionamiento continuo (Fig. 1).

PARA ENCENDER LA HERRAMIENTA, deslice el botón del interruptor hacia adelante.

PARA DESBLOQUEAR EL INTERRUPTOR, deslice el botón del interruptor hacia atrás.

Interruptor gatillo de velocidad variable controlada (Modelos JS572E solamente)

La herramienta está equipada con un interruptor gatillo de velocidad variable. La herramienta se puede encender (posición "ON") o apagar (posición "OFF") apretando o soltando el gatillo. La velocidad se puede ajustar desde las CPM mínimas hasta las máximas, tal y como está indicado en el dial de velocidad variable, por medio de la presión que usted aplique al gatillo. Ejera más presión para aumentar la velocidad y disminuya la presión para reducir la velocidad (Fig. 1).

Independientemente de la presión que se aplique sobre el gatillo, la herramienta no funcionará más rápidamente que el ajuste de velocidad máxima seleccionado en el dial de velocidad variable.

Botón de "fijación en on" (Modelos JS572E solamente)

El botón de "Fijación en ON", ubicado en el mango de la herramienta, permite una utilización continua a las CPM preajustadas máximas sin tener que mantener oprimido el gatillo (Fig. 1).

Instrucciones de funcionamiento

PARA FIJAR EL GATILLO EN LA POSICIÓN "ON": apriete el gatillo, oprima el botón y suelte el gatillo.

PARA DESBLOQUEAR EL GATILLO: apriete el gatillo y suéltelo sin oprimir el botón de "Fijación en ON".

⚠ ADVERTENCIA Si se oprime continuamente el botón de "Fijación en ON", no se puede soltar el gatillo.

Luz de trabajo

La herramienta está equipada con una luz de trabajo para brindar una mejor visibilidad durante la operación. El cable de alimentación de la herramienta se debe enchufar en la fuente de alimentación antes de que usted pueda activar la luz. Para encender la luz, presione el interruptor de ENCENDIDO Y APAGADO de la luz de trabajo. Para apagar la luz, presione de nuevo el interruptor de ENCENDIDO Y APAGADO (Fig. 1).

Circuitería de respuesta constante

El sistema electrónico interno de retroalimentación proporciona un "arranque suave" que reducirá las tensiones que se producen como consecuencia de un arranque de par motor alto. El sistema también mantiene la velocidad seleccionada bajo carga para brindar la máxima eficiencia.

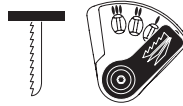
Palanca selectora de la órbita de la hoja

Puede lograrse una eficiencia de corte máxima ajustando la palanca selectora de la órbita de la hoja para convenir con el material que se esté cortando.

El cuadro siguiente le ayudará a determinar qué posición debe usar para la aplicación que desea realizar. La finalidad de este cuadro es servir solamente como recomendación y deben realizarse primero cortes de prueba en material de desecho para determinar la mejor posición.

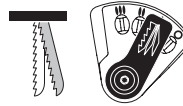
Posición 0

Materiales duros, como metales o chapas metálicas finas. Posición usada con cuchillas, hojas de filo de grano abrasivo, en trabajo de raspado y con hojas de corte hacia abajo.



Posición 1

Materiales blandos donde se realizan cortes más limpios o trabajo de contorno delicado.



Posición 2

Materiales de densidad intermedia, como maderas más duras o tablero de partículas de madera.



Posición 3

Materiales blandos, como madera, plásticos, etc., y cuando el corte rápido sea más importante que un corte limpio.



Soplador de virutas

La sierra caladora está equipada con un soplador de virutas de dos posiciones para ayudar a mantener la línea de corte libre de virutas.

Al ajustar la palanca del soplador de virutas, la fuerza de la descarga de aire puede alterarse de la manera siguiente:

SOPLADOR ENCENDIDO

Para trabajar con madera, plástico y materiales similares que producen grandes cantidades de serrín.



SOPLADOR APAGADO

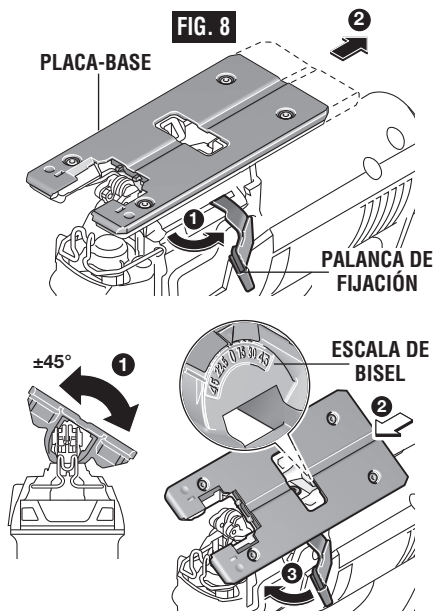
Para trabajar con metales y cuando se utilicen agentes refrigerantes, o con el accesorio de recolección de polvo.



Instrucciones de funcionamiento

Ajuste del ángulo de la placa-base

La placa-base puede inclinarse para permitir realizar cortes en ángulo de hasta 45° en cualquier sentido (Fig. 8).



Nota: Antes de ajustar la placa-base, retire la cubierta antipolvo y el accesorio de inserción antiastillas si se han utilizado.

Abra la palanca de fijación para desbloquear la placa-base. Presione y mantenga presionada la placa-base firmemente hacia la parte trasera de la herramienta, de la manera en la ilustración. Mientras sujeta placa-base hacia atrás, incline la placa-base hasta el ángulo deseado en la escala de bisel y luego reduzca la presión sobre la placa-base para que se acople en el retén en el ángulo deseado (Fig. 8).

La herramienta tiene ranuras de retén a las que la placa-base se acoplará a 0° y 45°, y hay marcas de posición adicionales para ángulos de 15°, 22.5° y 30°.

Cierre lentamente la palanca de fijación para asegurarse de que la placa-base quede bloqueada en el ángulo deseado.

Consejos para la herramienta

⚠ ADVERTENCIA Agarre siempre la sierra por las superficies de agarre con aislamiento ubicadas en la parte delantera de la herramienta y el mango con interruptor. Si no se agarra la herramienta por la superficie de agarre con aislamiento, es posible que el resultado sea descargas eléctricas o electrocución si se está aserrando en un área ciega donde existan cables con corriente.

Asegúrese siempre de que las piezas de trabajo más pequeñas estén sujetas firmemente a un banco u otro soporte. Los paneles más grandes pueden sujetarse en su sitio mediante abrazaderas sobre un banco o caballetes de aserrar.

Para comenzar un corte, marque claramente la línea de corte y apoye la parte delantera de la placa-base sobre la pieza de trabajo. Accione el interruptor y mueva la hoja hacia el interior de la pieza de trabajo utilizando solamente suficiente presión hacia adelante para mantener la hoja cortando uniformemente. No fuerce la sierra, ya que esto no hará que corte más rápidamente; deje que la hoja haga el trabajo.

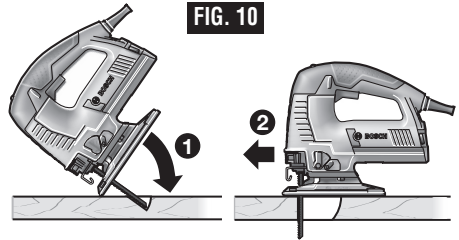
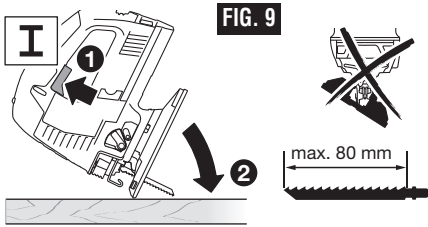
Seleccione las hojas cuidadosamente, ya que la capacidad de la sierra caladora para seguir curvas, proporcionar acabados más lisos o realizar cortes más rápidamente está relacionada directamente con el tipo de hoja que se utilice (Vea a su distribuidor Bosch.)

Para cortar curvas pronunciadas, lo mejor es usar una hoja estrecha o de contornear.

Al aserrar metal o materiales similares, apague el soplador de virutas y aplique refrigerante/lubricante a lo largo de la línea de corte. No utilice extracción.

El uso de una hoja de dientes inversos, tal como la Bosch T101BR, requiere que el ajuste orbital esté en "0" y que se aplique presión hacia abajo en la parte superior de la sierra.

Instrucciones de funcionamiento



Corte mediante descenso vertical

El corte mediante descenso vertical es útil y ahorra tiempo al hacer aberturas bastas en materiales más blandos. No es necesario hacer un agujero para un corte interior o de bolsillo. La hoja más larga que se debe utilizar para realizar cortes mediante descenso vertical es de 3-1/8 pulgadas (80 mm). La placa-base se debe ajustar a la posición de 0° (Fig. 9).

Trace líneas para la abertura, agarre la sierra firmemente e inclínela hacia adelante para que la punta de la base de la sierra esté apoyada sobre la pieza de trabajo, pero con la hoja bien alejada de la pieza de trabajo. Encienda la herramienta, hágala funcionar a la máxima velocidad y luego baje muy gradualmente la hoja (Fig. 10).

Cuando haga contacto, continúe ejerciendo presión hacia abajo sobre la punta de la base de la sierra, haciendo pivotar la sierra lentamente como una bisagra hasta que la hoja corte y la base se apoye horizontalmente sobre la pieza de trabajo. Luego, aserre hacia adelante siguiendo la línea de corte. No recomendamos el corte mediante descenso vertical con una hoja para desplazamiento continuo. No intente cortar mediante descenso vertical en materiales duros como por ejemplo acero.

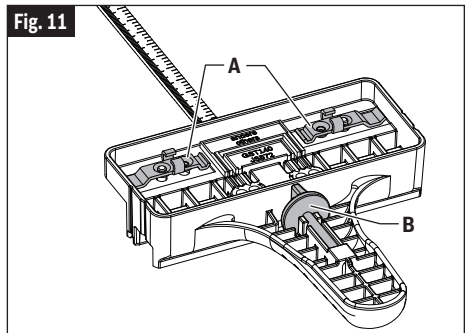
Para hacer esquinas muy pronunciadas, corte hasta la esquina y luego retroceda ligeramente antes de redondear la esquina. Después de completar la abertura, regrese a cada esquina y córtela desde el sentido contrario para completar el ángulo recto.

JA1010 Guía de corte circular y paralelo

(vendido por separado)

La JA1010 se utiliza para realizar cortes rectos y de círculos de manera rápida y precisa. Incluye la guía, dos abrazaderas **A** para sujetar la guía a la sierra caladora y un pasador central **B** para guiar los cortes de círculos. Las abrazaderas y el pasador centrador se pueden almacenar en la guía (Fig. 11).

Un extremo de la abrazadera se utiliza para sujetar la barra de la guía a las sierras caladoras que tienen partes



Instrucciones de funcionamiento

superiores estrechas en sus ranuras de montaje de la placa-base (C) y el otro extremo se utiliza para sujetar la barra de la guía a las sierras caladoras que tienen partes superiores anchas en sus ranuras de montaje de la placa base (D) (Fig. 12).

Cuando sea posible, sujete la barra a la sierra caladora utilizando ambas abrazaderas para brindar un mejor agarre y una mayor precisión.

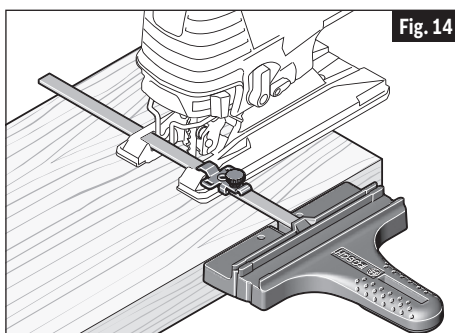
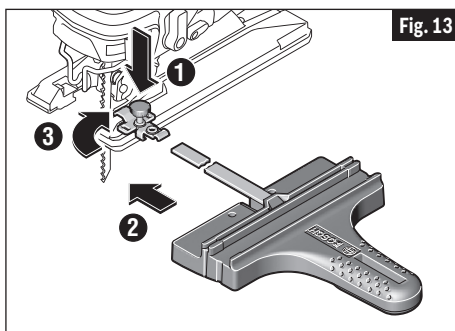
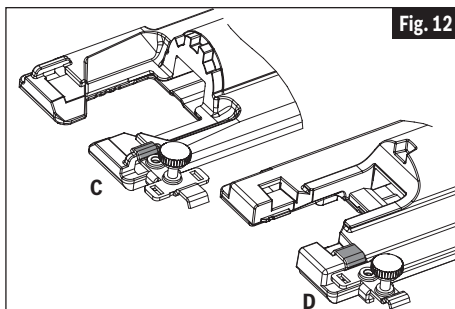
INSTALACIÓN DE LA GUÍA EN UNA SIERRA CALADORA

1. Oriente la abrazadera de la hoja de manera que el extremo apropiado esté colocado sobre el pie de la sierra caladora desde cualquiera de los dos lados de la herramienta.
2. Inserte la barra de la guía a través de una abrazadera y luego a través de las ranuras provistas en el pie, con el tope-guía de la guía orientado correctamente para la aplicación prevista, corte paralelo o corte de un círculo. (Si es posible, coloque una segunda abrazadera sobre la barra desde el lado opuesto de la sierra caladora.)
3. Coloque el pomo o los pomos en el lado apropiado de la(s) abrazadera(s) y apriete firmemente el pomo o los pomos en la(s) abrazadera(s) (Fig. 13).

CORTE PARALELO

Se pueden hacer cortes paralelos de 5/8 de pulgada (16 mm) a 6 pulgadas (170 mm) a hacia el interior desde el borde de la pieza de trabajo.

1. La superficie del tope-guía de la guía se debe posicionar A LO LARGO de la pieza de trabajo (Fig. 14).
2. Enganche la(s) abrazadera(s) a la placa-base, ajuste el tope-guía a la anchura deseada y coloque el pomo o los pomos de fijación en el lado apropiado de la(s) abrazadera(s).
3. Apriete firmemente el pomo o los pomos de fijación en la(s) abrazadera(s) (Fig. 13).
4. Inserte el enchufe de la sierra caladora en la fuente de alimentación, sujete firmemente la sierra, comprima el gatillo y empuje lentamente la sierra hacia delante. (Fig. 14)



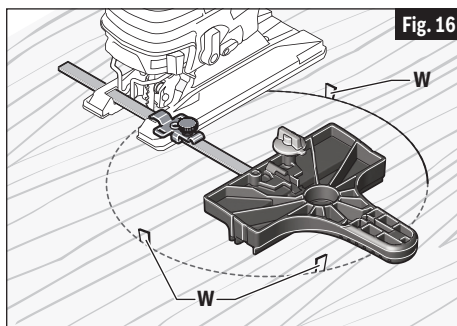
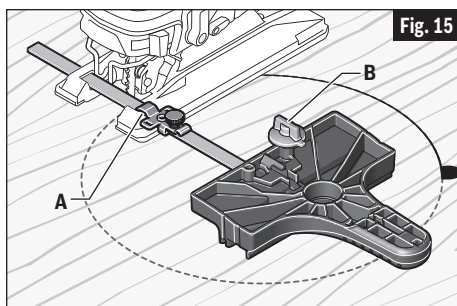
CORTE DE CÍRCULOS

Se pueden hacer cortes de círculos de 5 pulgadas (127 mm) a 16-1/2 pulgadas (420 mm) de diámetro.

1. Determine el punto central del círculo deseado.
2. Taladre un agujero central de 3/16 de pulgada (5 mm) en la pieza de trabajo 7/8" (23 mm) profundidad. (Para lograr una mejor precisión, taladre el agujero utilizando una prensa taladradora, si es posible.)

Instrucciones de funcionamiento

- Taladre o haga un corte por inmersión cerca del borde del círculo, apague la sierra y desconecte el enchufe de la fuente de alimentación.
- Inserte la barra de la guía a través de una abrazadera y luego a través de las ranuras provistas en el pie, desde cualquiera de los dos lados del pie, (Fig. 15). (Si es posible, coloque una segunda abrazadera sobre la barra desde el lado opuesto de la sierra caladora.)
- Retire el pasador de guía **B** del extremo de la guía y empuje el pasador a través del agujero apropiado provisto en la guía y luego al interior del agujero central de la pieza de trabajo. (Cuando la guía se utilice con una sierra caladora Bosch JS572 ---o con la sierra caladora inalámbrica JSH180--- se deberán usar los agujeros etiquetados para la JS572.) En el caso de otras sierras caladoras, se deberá usar uno de los otros agujeros.
- Mida la distancia desde el centro del agujero hasta el radio del círculo deseado. Ajuste esa medida según sea necesario para tener en cuenta la anchura de la hoja:
 - Cuando corte un agujero, corte desde el interior del radio previsto.
 - Cuando corte ruedas o discos, corte desde el exterior del radio previsto.
- Enganche la(s) abrazadera(s) a la placa-base y posicione la guía respecto a esa medida de radio ajustada.
- Coloque el pomo o los pomos de fijación en el lado apropiado de la(s) abrazadera(s) y apriete firmemente el pomo o los pomos de fijación en la(s) abrazadera(s) (Fig. 13).
- Inserte el enchufe de la sierra caladora en la fuente de alimentación, sujete firmemente la sierra, comprima el gatillo y empuje lentamente la sierra hacia delante.



CONSEJOS PARA CORTAR CÍRCULOS:

- Coloque cuñas pequeñas **W** en el corte de la manera que se muestra en la Fig. 16, para impedir que el círculo interno se extienda cuando se esté cerca del final del corte.
- Utilice una hoja de sierra caladora gruesa, tal como la Bosh T101TP o la T144DP, siempre que sea posible.
- Asegúrese de que el ajuste orbital de la sierra caladora esté en 0 (cero).
- Corte lentamente para que la hoja se mantenga recta en el corte.

Mantenimiento

⚠ ADVERTENCIA Para evitar accidentes desconecte siempre la herramienta de la fuente de energía antes de la limpieza o de la realización de cualquier mantenimiento.

Servicio

⚠ ADVERTENCIA El mantenimiento preventivo realizado por personal no autorizado puede dar lugar a la colocación incorrecta de cables y componentes internos que podría constituir un peligro serio. Recomendamos que todo el servicio de las herramientas sea realizado por un Centro de servicio de fábrica Bosch o por una Estación de servicio Bosch autorizada.

Lubricación de las herramientas

Su herramienta Bosch ha sido lubricada adecuadamente y está lista para la utilización. Se recomienda que las herramientas con engranajes se vuelvan a engrasar con un lubricante especial para engranajes en cada cambio de escobillas.

Escobillas de carbón

Las escobillas y el conmutador de la herramienta han sido diseñados para muchas horas de servicio fiable. Para mantener un rendimiento óptimo del motor, recomendamos que cada dos a seis meses se examinen las escobillas. Sólo se deben usar escobillas de repuesto Bosch genuinas diseñadas específicamente para su herramienta.

Rodamientos

Los rodamientos que se vuelven ruidosos (debido a la pesada carga o al corte de materiales muy abrasivos) deben ser sustituidos inmediatamente para evitar el sobrecalentamiento o el fallo del motor.

Limpieza

⚠ PRECAUCION Ciertos agentes de limpieza y disolventes dañan las piezas de plástico. Algunos de estos son: gasolina, tetracloruro de carbono, disolventes de limpieza clorados,

amoníaco y detergentes domésticos que contienen amoníaco.

Las aberturas de ventilación y las palancas de interruptor deben mantenerse limpias y libres de materias extrañas. No intente limpiar introduciendo objetos puntiagudos a través de las aberturas.

Limpieza del portahoja

Limpie regularmente el portahoja de sierra. Para hacer esto, retire la hoja de sierra de la herramienta y golpee ligeramente la placa-base sobre una superficie nivelada.

Rocíe regularmente aceite penetrante sobre el portahoja de sierra (Fig. 17).

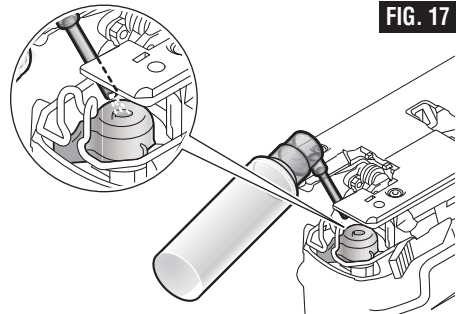


FIG. 17

Compruebe regularmente el rodillo de guía. Si está desgastado, debe ser reemplazado a través de un Centro de Servicio de Fábrica Bosch autorizado.

Lubrique ocasionalmente el rodillo de guía con una gota de aceite (Fig. 18).

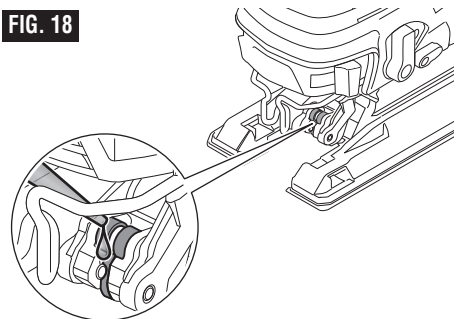


FIG. 18

Cordones de extensión

⚠ ADVERTENCIA Si es necesario un cordón de extensión, se debe usar un cordón con conductores de tamaño adecuado que sea capaz de transportar la corriente necesaria para la herramienta. Esto evitará caídas de tensión excesivas, pérdida de potencia o recalentamiento. Las herramientas conectadas a tierra deben usar cordones de extensión de 3 hilos que tengan enchufes de 3 terminales y receptáculos para 3 terminales.

**TAMAÑOS RECOMENDADOS DE CORDONES DE EXTENSION
HERRAMIENTAS DE 120 V CORRIENTE ALTERNA**

Capacidad nominal en amperes de la herramienta	Tamaño del cordón en A. W. G.				Tamaños del cable en mm ²			
	Longitud del cordón en pies				Longitud del cordón en metros			
	25	50	100	150	15	30	60	120
3-6	18	16	16	14	0.75	0.75	1.5	2.5
6-8	18	16	14	12	0.75	1.0	2.5	4.0
8-10	18	16	14	12	0.75	1.0	2.5	4.0
10-12	16	16	14	12	1.0	2.5	4.0	-
12-16	14	12	-	-	-	-	-	-

NOTA: Cuanto más pequeño es el número de calibre, más grueso es el cordón.

Accesorios y aditamentos

⚠ ADVERTENCIA Es posible que el uso de cualquier otro aditamento o accesorio no especificado en este manual cree un peligro.

Almacene los accesorios en un ambiente seco y templado para evitar la corrosión y el deterioro.

Equipo estándar	Accesorios opcionales
<ul style="list-style-type: none"> - Accesorio de inserción antiastillas JA1013 - Hoja de sierra caladora con vástago en T Bosch 	<ul style="list-style-type: none"> - Sobrezapata de acero JA1011 - Juego de extracción de polvo, incluye cubierta antipolvo, tubo de extracción y adaptador de manguera de aspiración JA1009. - Mangueras de aspiración Bosch - Guía de corte circular y paralelo JA1010 - Estuche de transporte - Otras hojas de sierra caladora con vástago en T Bosch

Notes / Remarques / Notas

Notes / Remarques / Notas

LIMITED WARRANTY OF BOSCH PORTABLE AND BENCHTOP POWER TOOLS

Robert Bosch Tool Corporation ("Seller") warrants to the original purchaser only, that all BOSCH portable and benchtop power tools will be free from defects in material or workmanship for a period of one year from date of purchase. SELLER'S SOLE OBLIGATION AND YOUR EXCLUSIVE REMEDY under this Limited Warranty and, to the extent permitted by law, any warranty or condition implied by law, shall be the repair or replacement of parts, without charge, which are defective in material or workmanship and which have not been misused, carelessly handled, or misrepaired by persons other than Seller or Authorized Service Station. To make a claim under this Limited Warranty, you must return the complete portable or benchtop power tool product, transportation prepaid, to any BOSCH Factory Service Center or Authorized Service Station. For Authorized BOSCH Power Tool Service Stations, please refer to your phone directory.

THIS LIMITED WARRANTY DOES NOT APPLY TO ACCESSORY ITEMS SUCH AS CIRCULAR SAW BLADES, DRILL BITS, ROUTER BITS, JIGSAW BLADES, SANDING BELTS, GRINDING WHEELS AND OTHER RELATED ITEMS.

ANY IMPLIED WARRANTIES SHALL BE LIMITED IN DURATION TO ONE YEAR FROM DATE OF PURCHASE. SOME STATES IN THE U.S., SOME CANADIAN PROVINCES DO NOT ALLOW LIMITATIONS ON HOW LONG AN IMPLIED WARRANTY LASTS, SO THE ABOVE LIMITATION MAY NOT APPLY TO YOU.

IN NO EVENT SHALL SELLER BE LIABLE FOR ANY INCIDENTAL OR CONSEQUENTIAL DAMAGES (INCLUDING BUT NOT LIMITED TO LIABILITY FOR LOSS OF PROFITS) ARISING FROM THE SALE OR USE OF THIS PRODUCT. SOME STATES IN THE U.S. AND SOME CANADIAN PROVINCES DO NOT ALLOW THE EXCLUSION OR LIMITATION OF INCIDENTAL OR CONSEQUENTIAL DAMAGES, SO THE ABOVE LIMITATION OR EXCLUSION MAY NOT APPLY TO YOU.

THIS LIMITED WARRANTY GIVES YOU SPECIFIC LEGAL RIGHTS, AND YOU MAY ALSO HAVE OTHER RIGHTS WHICH VARY FROM STATE TO STATE IN THE U.S., PROVINCE TO PROVINCE IN CANADA AND FROM COUNTRY TO COUNTRY.

THIS LIMITED WARRANTY APPLIES ONLY TO PORTABLE AND BENCHTOP ELECTRIC TOOLS SOLD WITHIN THE UNITED STATES OF AMERICA, CANADA AND THE COMMONWEALTH OF PUERTO RICO. FOR WARRANTY COVERAGE WITHIN OTHER COUNTRIES, CONTACT YOUR LOCAL BOSCH DEALER OR IMPORTER.

GARANTIE LIMITÉE DES OUTILS ÉLECTRIQUES PORTATIFS ET D'ÉTABLI BOSCH

Robert Bosch Tool Corporation (le « vendeur ») garantit à l'acheteur initial seulement que tous les outils électriques portatifs et d'établi BOSCH seront exempts de vices de matériaux ou d'exécution pendant une période d'un an depuis la date d'achat. LA SEULE OBLIGATION DU VENDEUR ET LE SEUL RECOURS DE L'ACHETEUR sous la présente garantie limitée, et en autant que la loi le permette sous toute garantie ou condition implicite qui en découlerait, sera l'obligation de remplacer ou réparer gratuitement les pièces défectueuses matériellement ou comme fabrication, pourvu que lesdites défectuosités ne soient pas attribuables à un usage abusif ou à quelque réparation bricolée par quelqu'un d'autre que le vendeur ou le personnel d'une station-service agréée. Pour présenter une réclamation en vertu de cette garantie limitée, vous devez renvoyer l'outil électrique portatif ou d'établi complet, port payé, à tout centre de service agréé ou centre de service usine. Veuillez consulter votre annuaire téléphonique pour les adresses.

LA PRÉSENTE GARANTIE NE S'APPLIQUE PAS AUX ACCESSOIRES TELS QUE LAMES DE SCIES CIRCULAIRES, MÊCHES DE PERCEUSES, FERS DE TOUPIES, LAMES DE SCIES SAUTEUSES, COURROIES DE PONÇAGE, MEULES ET AUTRES ARTICLES DU GENRE.

TOUTE GARANTIE IMPLICITE SERA LIMITÉE COMME DURÉE À UN AN À COMPTER DE LA DATE D'ACHAT. CERTAINS ÉTATS AMÉRICAINS, CERTAINES PROVINCES CANADIENNES N'ADMETTANT PAS LE PRINCIPE DE LA LIMITATION DE LA DURÉE DES GARANTIES IMPLICITES, IL EST POSSIBLE QUE LES LIMITATIONS CI-DESSUS NE S'APPLIQUENT PAS À VOTRE CAS.

EN AUCUN CAS LE VENDEUR NE SAURAIT ÊTRE TENU POUR RESPONSABLE DES INCIDENTS OU DOMMAGES INDIRECTS (INCLUANT, MAIS NE SE LIMITANT PAS AUX PERTES DE PROFITS) CONSÉCUTIFS À LA VENTE OU L'USAGE DE CE PRODUIT. CERTAINS ÉTATS AMÉRICAINS ET CERTAINES PROVINCES CANADIENNES N'ADMETTANT PAS LE PRINCIPE DE LA LIMITATION NI L'EXCLUSION DES DOMMAGES INDIRECTS ET CONSÉQUENTIELS, IL EST POSSIBLE QUE LES LIMITATIONS OU EXCLUSIONS CI-DESSUS NE S'APPLIQUENT PAS À VOTRE CAS.

LA PRÉSENTE GARANTIE VOUS ACCORDE DES DROITS BIEN DÉTERMINÉS, Y COMPRIS POSSIBLEMENT CERTAINS DROITS VARIABLES DANS LES DIFFÉRENTS ÉTATS AMÉRICAINS, PROVINCES CANADIENNE ET DE PAYS À PAYS.

CETTE GARANTIE LIMITÉE NE S'APPLIQUE QU'ÀUX OUTILS ÉLECTRIQUES PORTATIFS ET D'ÉTABLI VENDUS AUX ÉTATS-UNIS D'AMÉRIQUE, AU CANADA ET AU COMMONWEALTH DE PORTO RICO. POUR COUVERTURE DE GARANTIE DANS LES AUTRES PAYS, CONTACTEZ VOTRE IMPORTATEUR OU REVENDEUR BOSCH LOCAL.

GARANTIA LIMITADA PARA HERRAMIENTAS MECANICAS PORTATILES Y PARA TABLERO DE BANCO BOSCH

Robert Bosch Tool Corporation ("el Vendedor") garantiza, únicamente al comprador original, que todas las herramientas mecánicas portátiles y para tablero de banco BOSCH estarán libres de defectos de material o de fabricación durante un periodo de un año a partir de la fecha de compra. LA ÚNICA OBLIGACION DEL VENDEDOR Y EL RECURSO EXCLUSIVO QUE USTED TIENE bajo esta Garantía Limitada y, hasta donde la ley lo permita, bajo cualquier garantía o condición implícita por ley, consistirá en la reparación o sustitución sin costo de las piezas que presenten defectos de material o de fabricación y que no hayan sido utilizadas incorrectamente, manejadas descuidadamente o reparadas incorrectamente por personas que no sean el Vendedor o una Estación de servicio autorizada. Para efectuar una reclamación bajo esta Garantía Limitada, usted debe devolver el producto, que consiste en la herramienta mecánica portátil o para tablero de banco completa, con el transporte pagado, a cualquier Centro de servicio de fábrica o Estación de servicio autorizada. Para Estaciones de servicio autorizadas de herramientas mecánicas BOSCH, por favor, consulte el directorio telefónico.

ESTA GARANTIA LIMITADA NO SE APLICA A ARTICULOS ACCESORIOS TALES COMO HOJAS PARA SIERRAS CIRCULARES, BROCAS PARA TALADROS, BROCAS PARA FRESADORAS, HOJAS PARA SIERRAS DE VAIVEN, CORREAS PARA LIJAR, RUEDAS DE AMOLAR Y OTROS ARTICULOS RELACIONADOS.

TODAS LAS GARANTIAS IMPLICITAS TENDRAN UNA DURACION LIMITADA A UN AÑO A PARTIR DE LA FECHA DE COMPRA. ALGUNOS ESTADOS DE LOS EE.UU. Y ALGUNAS PROVINCIAS CANADIENSES NO PERMITEN LIMITACIONES EN CUANTO A LA DURACION DE UNA GARANTIA IMPLICITA, POR LO QUE ES POSIBLE QUE LA LIMITACION ANTERIOR NO SEA APLICABLE EN EL CASO DE USTED.

EL VENDEDOR NO SERA RESPONSABLE EN NINGUN CASO DE NINGUN DAÑO INCIDENTAL O EMERGENTE (INCLUYENDO PERO NO LIMITADO A RESPONSABILIDAD POR PERDIDA DE BENEFICIOS) QUE SE PRODUZCA COMO CONSECUENCIA DE LA VENTA O UTILIZACION DE ESTE PRODUCTO. ALGUNOS ESTADOS DE LOS EE.UU. Y ALGUNAS PROVINCIAS CANADIENSES NO PERMITEN LA EXCLUSION O LIMITACION DE LOS DAÑOS INCIDENTALES O EMERGENTES, POR LO QUE ES POSIBLE QUE LA LIMITACION O EXCLUSION ANTERIOR NO SEA APLICABLE EN EL CASO DE USTED.

ESTA GARANTIA LIMITADA LE CONFIERE A USTED DERECHOS LEGALES ESPECIFICOS Y ES POSIBLE QUE USTED TAMBIEN TENGA OTROS DERECHOS QUE VARIAN DE ESTADO A ESTADO EN LOS EE.UU., DE PROVINCIA A PROVINCIA EN CANADA Y DE UN PAIS A OTRO.

ESTA GARANTIA LIMITADA SE APLICA SOLAMENTE A HERRAMIENTAS ELECTRICAS PORTATILES Y PARA TABLERO DE BANCO VENDIDAS EN LOS ESTADOS UNIDOS DE AMERICA, CANADA Y EL ESTADO LIBRE ASOCIADO DE PUERTO RICO. PARA COBERTURA DE GARANTIA EN OTROS PAISES, PONGASE EN CONTACTO CON SU DISTRIBUIDOR O IMPORTADOR LOCAL DE BOSCH.

© Robert Bosch Tool Corporation 1800 W. Central Road Mt. Prospect, IL 60056-2230

Exportado por: Robert Bosch Tool Corporation Mt. Prospect, IL 60056-2230, E.U.A.

Importado en México por: Robert Bosch, S.A. de C.V., Calle

Robert Bosch No. 405, Zona Industrial, Toluca, Edo. de

México, C.P. 50070, Tel. (722) 2792300



2 6 1 0 0 5 1 9 8 0