

IMPORTANT:
Read Before Using

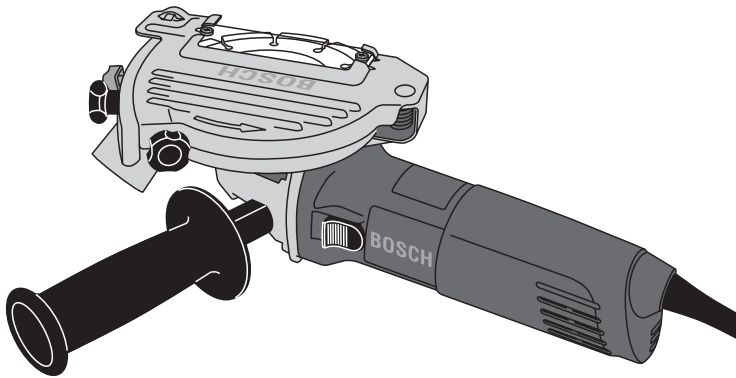
IMPORTANT :
Lire avant usage

IMPORTANTE:
Leer antes de usar



Operating/Safety Instructions
Consignes de sécurité/d'utilisation
Instrucciones de funcionamiento y seguridad

GWS13-52TG



BOSCH

Call Toll Free for
Consumer Information
& Service Locations

Pour obtenir des
informations et les
adresses de nos centres de
service après-vente,
appelez ce numéro gratuit

Llame gratis para
obtener información
para el consumidor y
ubicaciones de servicio

1-877-BOSCH99 (1-877-267-2499) www.boschtools.com

For English Version

See page 2

Version française

Voir page 14

Versión en español

Ver la página 27

General Power Tool Safety Warnings



Read all safety warnings and all instructions. Failure to follow the warnings and instructions may result in electric shock, fire and/or serious injury.

SAVE ALL WARNINGS AND INSTRUCTIONS FOR FUTURE REFERENCE

The term “power tool” in the warnings refers to your mains-operated (corded) power tool or battery-operated (cordless) power tool.

Work Area Safety

Keep work area clean and well lit. Cluttered or dark areas invite accidents.

Do not operate power tools in explosive atmospheres, such as in the presence of flammable liquids, gases or dust. Power tools create sparks which may ignite the dust or fumes.

Keep children and bystanders away while operating a power tool. Distractions can cause you to lose control.

Electrical Safety

Power tool plugs must match the outlet. Never modify the plug in any way. Do not use any adapter plugs with earthed (grounded) power tools. Unmodified plugs and matching outlets will reduce risk of electric shock.

Avoid body contact with earthed or grounded surfaces such as pipes, radiators, ranges and refrigerators. There is an increased risk of electric shock if your body is earthed or grounded.

Do not expose power tools to rain or wet conditions. Water entering a power tool will increase the risk of electric shock.

Do not abuse the cord. Never use the cord for carrying, pulling or unplugging the power tool. Keep cord away from heat, oil, sharp edges or moving parts. Damaged or entangled cords increase the risk of electric shock.

When operating a power tool outdoors, use an extension cord suitable for outdoor use. Use of a cord suitable for outdoor use reduces the risk of electric shock.

If operating a power tool in a damp location is unavoidable, use a Ground Fault Circuit Interrupter (GFCI) protected supply. Use of a GFCI reduces the risk of electric shock.

Personal Safety

Stay alert, watch what you are doing and use common sense when operating a power

tool. Do not use a power tool while you are tired or under the influence of drugs, alcohol or medication. A moment of inattention while operating power tools may result in serious personal injury.

Use personal protective equipment. Always wear eye protection. Protective equipment such as dust mask, non-skid safety shoes, hard hat, or hearing protection used for appropriate conditions will reduce personal injuries.

Prevent unintentional starting. Ensure the switch is in the off position before connecting to power source and / or battery pack, picking up or carrying the tool. Carrying power tools with your finger on the switch or energizing power tools that have the switch on invites accidents.

Remove any adjusting key or wrench before turning the power tool on. A wrench or a key left attached to a rotating part of the power tool may result in personal injury.

Do not overreach. Keep proper footing and balance at all times. This enables better control of the power tool in unexpected situations.

Dress properly. Do not wear loose clothing or jewelry. Keep your hair, clothing and gloves away from moving parts. Loose clothes, jewelry or long hair can be caught in moving parts.

If devices are provided for the connection of dust extraction and collection facilities, ensure these are connected and properly used. Use of dust collection can reduce dust-related hazards.

Power Tool Use and Care

Do not force the power tool. Use the correct power tool for your application. The correct power tool will do the job better and safer at the rate for which it was designed.

Do not use the power tool if the switch does not turn it on and off. Any power tool that cannot be controlled with the switch is dangerous and must be repaired.

Disconnect the plug from the power source

and/or the battery pack from the power tool before making any adjustments, changing accessories, or storing power tools. Such preventive safety measures reduce the risk of starting the power tool accidentally.

Store idle power tools out of the reach of children and do not allow persons unfamiliar with the power tool or these instructions to operate the power tool. Power tools are dangerous in the hands of untrained users.

Maintain power tools. Check for misalignment or binding of moving parts, breakage of parts and any other condition that may affect the power tool's operation. If damaged, have the power tool repaired before use. Many accidents are caused by poorly maintained power tools.

Keep cutting tools sharp and clean. Properly maintained cutting tools with sharp cutting edges are less likely to bind and are easier to control.

Use the power tool, accessories and tool bits etc. in accordance with these instructions, taking into account the working conditions and the work to be performed. Use of the power tool for operations different from those intended could result in a hazardous situation.

Service

Have your power tool serviced by a qualified repair person using only identical replacement parts. This will ensure that the safety of the power tool is maintained.

Tuckpoint-Grinder-Specific Safety Warnings

a) The guard provided with the tool must be securely attached to the power tool and positioned for maximum safety, so the least amount of wheel is exposed towards the operator. Position yourself and bystanders away from the plane of the rotating wheel. The guard helps to protect operator from broken wheel fragments and accidental contact with wheel.

b) Use only bonded reinforced or diamond cut-off wheels for your power tool. Just because an accessory can be attached to your power tool, it does not assure safe operation.

c) The rated speed of the accessory must be at least equal to the maximum speed marked on the power tool. Accessories running faster than their rated speed can break and fly apart.

d) Wheels must be used only for recommended applications. For example: do not grind with the side of cut-off wheel. Abrasive cut-off wheels are intended for peripheral grinding, side forces applied to these wheels may cause them to shatter.

e) Always use undamaged wheel flanges that are of correct diameter for your selected wheel. Proper wheel flanges support the wheel thus reducing the possibility of wheel breakage.

g) The outside diameter and the thickness of your accessory must be within the capacity rating of your power tool. Incorrectly sized accessories cannot be adequately

guarded or controlled.

h) The arbor size of wheels and flanges must properly fit the spindle of the power tool. Wheels and flanges with arbor holes that do not match the mounting hardware of the power tool will run out of balance, vibrate excessively and may cause loss of control.

i) Do not use damaged wheels. Before each use, inspect the wheels for chips and cracks. If power tool or wheel is dropped, inspect for damage or install an undamaged wheel. After inspecting and installing the wheel, position yourself and bystanders away from the plane of the rotating wheel and run the power tool at maximum no load speed for one minute. Damaged wheels will normally break apart during this test time.

j) Wear personal protective equipment. Depending on application, use face shield, safety goggles or safety glasses. As appropriate, wear dust mask, hearing protectors, gloves and shop apron capable of stopping small abrasive or workpiece fragments. The eye protection must be capable of stopping flying debris generated by various operations. The dust mask or respirator must be capable of filtering particles generated by your operation. Prolonged exposure to high intensity noise may cause hearing loss.

k) Keep bystanders a safe distance away from work area. Anyone entering the work area must wear personal protective equipment. Fragments of workpiece or of a broken

wheel may fly away and cause injury beyond immediate area of operation.

l) Hold the power tool by insulated gripping surfaces only, when performing an operation where the cutting accessory may contact hidden wiring or its own cord. Cutting accessory contacting a “live” wire may make exposed metal parts of the power tool “live” and could give the operator an electric shock.

m) Position the cord clear of the spinning accessory. If you lose control, the cord may be cut or snagged and your hand or arm may be pulled into the spinning wheel.

n) Never lay the power tool down until the accessory has come to a complete stop. The spinning wheel may grab the surface and pull the power tool out of your control.

o) Do not run the power tool while carrying it at your side. Accidental contact with the spinning accessory could snag your clothing, pulling the accessory into your body.

p) Regularly clean the power tool’s air vents. The motor’s fan will draw the dust inside the housing and excessive accumulation of powdered metal may cause electrical hazards.

q) Do not operate the power tool near flammable materials. Sparks could ignite these materials.

r) Do not use accessories that require liquid coolants. Using water or other liquid coolants may result in electrocution or shock.

This power tool is intended primarily for tuckpointing applications and some small abrasive masonry cut off applications. Read all safety warnings, instructions, illustrations and specifications provided with this power tool. Failure to follow all instructions listed below may result in electric shock, fire and/or serious injury.

Kickback and Related Warnings

Kickback is a sudden reaction to a pinched or snagged rotating wheel, backing pad, brush or any other accessory. Pinching or snagging causes rapid stalling of the rotating accessory which in turn causes the uncontrolled power tool to be forced in the direction opposite of the accessory’s rotation at the point of the binding.

For example, if an abrasive wheel is snagged or pinched by the workpiece, the edge of the wheel that is entering into the pinch point can dig into the surface of the material causing the

wheel to climb out or kickout. The wheel may either jump toward or away from the operator, depending on direction of the wheel’s movement at the point of pinching. Abrasive wheels may also break under these conditions.

Kickback is the result of power tool misuse and/or incorrect operating procedures or conditions and can be avoided by taking proper precautions as given below.

a) Maintain a firm grip on the power tool and position your body and arm to allow you to resist kickback forces. Always use auxiliary handle, if provided, for maximum control over kickback or torque reaction during start-up. The operator can control torque reactions or kickback forces, if proper precautions are taken.

b) Never place your hand near the rotating accessory. Accessory may kickback over your hand.

c) Do not position your body in line with the rotating wheel. Kickback will propel the tool in direction opposite to the wheel’s movement at the point of snagging.

d) Use special care when working corners, sharp edges etc. Avoid bouncing and snagging the accessory. Corners, sharp edges or bouncing have a tendency to snag the rotating accessory and cause loss of control or kickback.

e) Do not attach a saw chain, woodcarving blade, segmented diamond wheel with a peripheral gap greater than 10 mm or toothed saw blade. Such blades create frequent kickback and loss of control.

f) Do not “jam”the wheel or apply excessive pressure. Do not attempt to make an excessive depth of cut. Overstressing the wheel increases the loading and susceptibility to twisting or binding of the wheel in the cut and the possibility of kickback or wheel breakage.

g) When wheel is binding or when interrupting a cut for any reason, switch off the power tool and hold the power tool motionless until the wheel comes to a complete stop. Never attempt to remove the wheel from the cut while the wheel is in motion otherwise kickback may occur. Investigate and take corrective action to eliminate the cause of wheel binding.

h) Do not restart the cutting operation in the workpiece. Let the wheel reach full speed and carefully re-enter the cut. The wheel may bind, walk up or kickback if the

power tool is restarted in the workpiece.

i) Support panels or any oversized workpiece to minimize the risk of wheel pinching and kickback. Large workpieces tend to sag under their own weight. Supports must be placed under the workpiece near the line of cut and near the edge of the workpiece on both sides of the wheel.

j) Use extra caution when making a “pocket cut” into existing walls or other blind areas. The protruding wheel may cut gas or water pipes, electrical wiring or objects that can cause kickback.

Safety Warnings Specific for Grinding and Abrasive Cutting-Off Operations:

a) Use only wheel types that are recommended for your power tool and the specific guard designed for the selected wheel. Wheels for which the power tool was not designed cannot be adequately guarded and are unsafe.

b) The guard must be securely attached to the power tool and positioned for maximum safety, so the least amount of wheel is exposed towards the operator. The guard

helps to protect operator from broken wheel fragments and accidental contact with wheel.

c) Wheels must be used only for recommended applications. For example: do not grind with the side of cut-off wheel. Abrasive cut-off wheels are intended for peripheral grinding, side forces applied to these wheels may cause them to shatter.

d) Always use undamaged wheel flanges that are of correct size and shape for your selected wheel. Proper wheel flanges support the wheel thus reducing the possibility of wheel breakage. Flanges for cut-off wheels may be different from grinding wheel flanges.

e) Do not use worn down wheels from larger power tools. Wheel intended for larger power tool is not suitable for the higher speed of a smaller tool and may burst.

Additional Safety Warnings Specific for Abrasive Cutting-Off Operations:

Do not attempt to cut large stock or sheets of metal as this machine is not designed to be a dedicated cut-off machine.

Do not use type 1 abrasive wheels designed for straight grinding.

Additional Safety Warnings

GFCI and personal protection devices like electrician's rubber gloves and footwear will further enhance your personal safety.

Do not use AC-only-rated tools with a DC power supply. While the tool may appear to work, the electrical components of the AC rated tool are likely to fail and create a hazard to the operator.

Keep handles dry, clean and free from oil and grease. Slippery hands cannot safely control the power tool.

Develop a periodic maintenance schedule for your tool. When cleaning a tool be careful not to disassemble any portion of the tool since internal wires may be misplaced or pinched or safety guard return springs may be improperly mounted. Certain cleaning agents such as gasoline, carbon tetrachloride, ammonia, etc. may damage plastic parts.

Risk of injury to user. The power cord must only be serviced by a Bosch Factory Service Center or Authorized Bosch Service Station.












⚠ WARNING Some dust created by power sanding, sawing, grinding, drilling, and other construction activities contains chemicals known to cause cancer, birth defects or other reproductive harm. Some examples of these chemicals are:

- Lead from lead-based paints,
- Crystalline silica from bricks and cement and other masonry products, and
- Arsenic and chromium from chemically-treated lumber.

Your risk from these exposures varies, depending on how often you do this type of work. To reduce your exposure to these chemicals: work in a well ventilated area, and work with approved safety equipment, such as those dust masks that are specially designed to filter out microscopic particles.











Symbols

IMPORTANT: Some of the following symbols may be used on your tool. Please study them and learn their meaning. Proper interpretation of these symbols will allow you to operate the tool better and safer.

Symbol	Name	Designation/Explanation
V	Volts	Voltage (potential)
A	Amperes	Current
Hz	Hertz	Frequency (cycles per second)
W	Watt	Power
kg	Kilograms	Weight
min	Minutes	Time
s	Seconds	Time
∅	Diameter	Size of drill bits, grinding wheels, etc.
n_0	No load speed	Rotational speed, at no load
n	Rated speed	Maximum attainable speed
.../min	Revolutions or reciprocation per minute	Revolutions, strokes, surface speed, orbits etc. per minute
0	Off position	Zero speed, zero torque...
1, 2, 3, ... I, II, III,	Selector settings	Speed, torque or position settings. Higher number means greater speed
	Infinitely variable selector with off	Speed is increasing from 0 setting
	Arrow	Action in the direction of arrow
	Alternating current	Type or a characteristic of current
	Direct current	Type or a characteristic of current
	Alternating or direct current	Type or a characteristic of current
	Class II construction	Designates Double Insulated Construction tools.
	Earthing terminal	Grounding terminal
	Warning symbol	Alerts user to warning messages
	Li-ion RBRC seal	Designates Li-ion battery recycling program
	Ni-Cad RBRC seal	Designates Ni-Cad battery recycling program
	Read manual symbol	Alerts user to read manual

Symbols (continued)

IMPORTANT: Some of the following symbols may be used on your tool. Please study them and learn their meaning. Proper interpretation of these symbols will allow you to operate the tool better and safer.

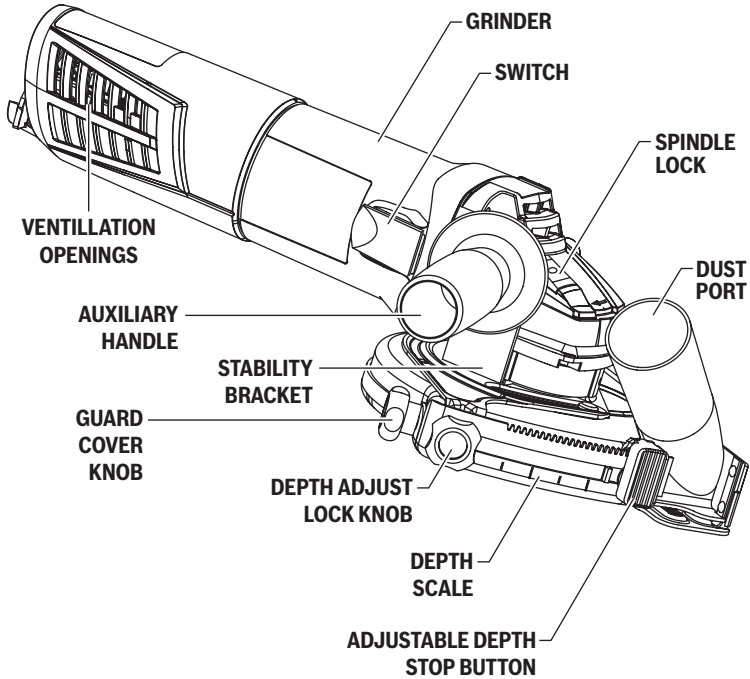
Symbol	Name	Designation/Explanation
	Eye protection symbol	Alerts user to wear eye protection
	Eye and ear protection symbol	Alerts user to wear eye and ear protection
	Eye and respiratory protection symbol	Alerts user to wear eye and respiratory protection
	Eye, ear, and face protection symbol	Alerts user to wear eye, ear, and respiratory protection
	UL listing symbol	Designates that the tool is listed by Underwriters Laboratories (UL).
	UL recognition symbol	Designates that the tool is recognized by Underwriters Laboratories (UL).
	UL US/Canada listing symbol	Designates that the tool is listed by Underwriters Laboratories, to United States and Canadian Standards.
	CSA listing symbol	Designates that the tool is listed by the Canadian Standards Association (CSA).
	CSA Canada/US listing symbol	Designates that this tool is listed by the Canadian Standards Association, to United States and Canadian Standards (CSA).
	Intertek listing symbol	Designates that this tool is listed by the Intertek Testing Services, to United States and Canadian Standards.

Functional Description and Specifications

⚠️ WARNING Disconnect the plug from the power source before making any assembly, adjustments or changing accessories. Such preventive safety measures reduce the risk of starting the tool accidentally.

Tuckpointer

Fig. 1



Model number:	GWS13-52TG
Amps:	13.0
Volts AC:	120
Rated Speed (RPM), /min:	9300
Spindle thread:	5/8"-11
Flanges/Nuts:	1600A002TP Backing Flange 1600A002TR Lock Nut
Wheel diameter and type:	5" (125mm) Tuckpointing wheel 5" (125mm) diamond cutoff wheel 5" (125mm) crack chaser wheel

NOTE: For tool specifications refer to the nameplate on your tool.

Assembly

Installing Tuckpointing Guard

The tool comes with the Tuckpointing Guard completely assembled. However, if it becomes necessary to make adjustments to the guard, follow these instructions.

To remove wheel guard:

1. Unplug tool from power source.
2. Unscrew auxiliary handle.
3. Rotate guard until arrows on guard and spindle neck are aligned.
4. Remove guard from spindle neck.

To re-attach guard (Fig. 2):

1. Unplug tool from power source.
2. Position guard on spindle neck so arrows on guard and spindle neck align.
3. Slide guard on spindle neck, rotate guard until stability bracket and hole for auxiliary handle are aligned.
4. Screw in auxiliary handle to secure guard on the tool.
5. Always position wheel guard between operator and work piece and direct sparks away from operator (Fig. 3).

Fig. 3

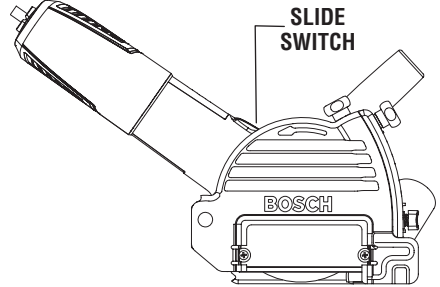
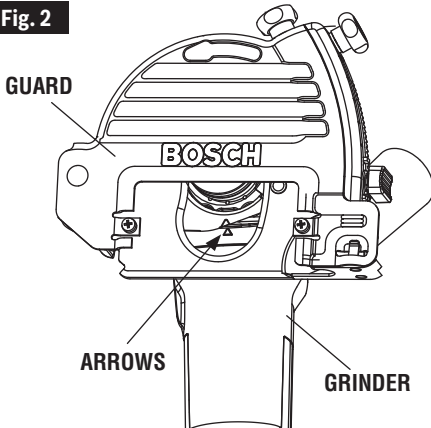


Fig. 2



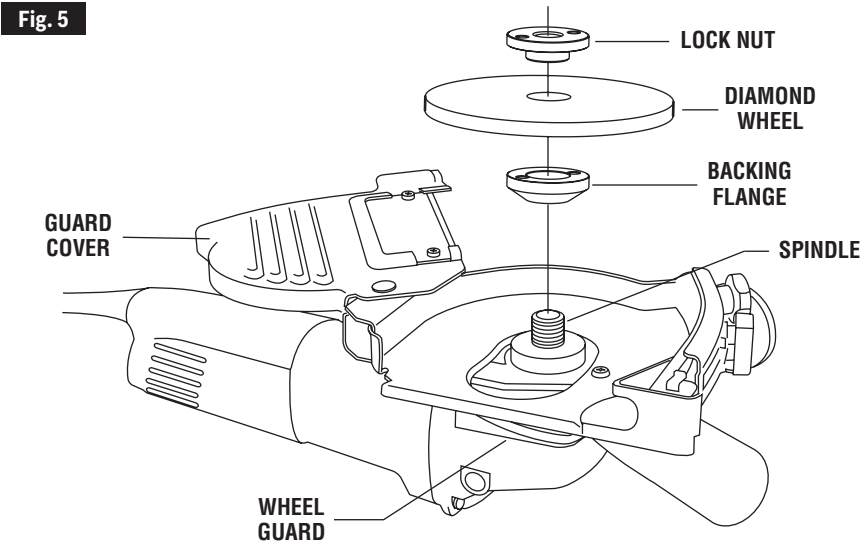
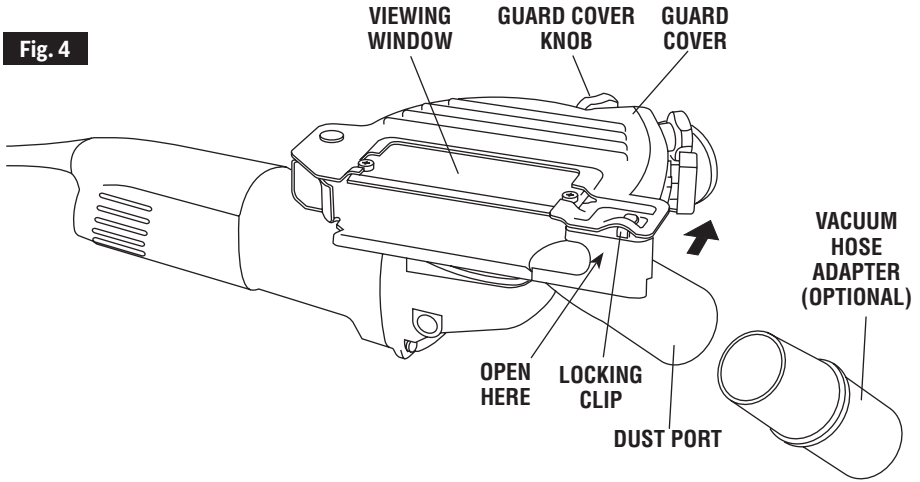
Installing and Removing Wheels

1. Loosen and remove guard cover lock knob (Fig. 4).
2. Push raised portion of guard cover near locking clip (Fig. 4) in direction of arrow to unlock guard cover, and swing cover out of the way (Fig. 5).
3. Place the backing flange (provided together with the guard) on the spindle (Fig. 5). Turn flange until it is securely in place at the base of the spindle.
4. Place the wheel onto the spindle and align the arbor hole of the wheel with the shoulder

der of the lock nut (provided together with the guard).

5. Tighten lock nut with supplied lock nut wrench while holding spindle lock.
6. Return guard cover back to its original position and push into locking clip to secure guard cover in place (Fig. 4).
7. Replace guard cover knob and securely tighten knob (Fig. 4).

To remove reverse procedure.



Operating Instructions

Adjustable Depth Stop

Your tool is equipped with an adjustable stop. Your cutting depth can be pre-set and/or repeated by using the depth stop (Fig. 1).

1. Loosen the depth stop lock knob.
2. Depress adjustable depth stop button, move to desired position on depth bracket, and release button to secure stop in place.
3. Place foot against workpiece, push down on tool until it stops.
4. To secure and hold foot and guard assembly at desired depth of cut. Move foot to desired depth of cut and securely tighten the depth stop lock knob.

Tuckpointing Guard

⚠WARNING Tuckpointing guard must be attached when using abrasive wheels including Diamond wheels. Always keep guard between you and your work while operating this tool.

Position the guard such that the dust port does not interfere with the On/Off switch.

The GWS13-52TG can only be used with the tuckpointing guard provided.

Slide On-Off Switch With Lock

⚠WARNING Hold the tool with both hands while starting the tool, since torque from the motor can cause the tool to twist.

The tool is switched "ON" by the switch button located at the side of the motor housing. The switch can be locked in the "ON" position, a convenience for long grinding operations.

TO TURN THE TOOL "ON" without locking it, slide the switch button forward by applying pressure ONLY at the REAR portion of the button. When pressure is released the switch button will snap to "OFF" position.

TO LOCK THE SWITCH "ON"; slide the switch button forward and press "IN" the FRONT portion.

TO UNLOCK THE SWITCH, simply press and release the REAR portion of the button. Switch is spring loaded and will snap back automatically.

Start the tool before applying to work and let the tool come to full speed before contacting the workpiece. Lift the tool from the work before releasing the switch. DO NOT turn the

switch "ON" and "OFF" while the tool is under load; this will greatly decrease the switch life.

Dust Extraction

⚠WARNING This tool must only be used with a dust extraction system. Always wear approved dust mask.

Your tool is equipped with a dust port for dust extraction. To use this feature, insert adapter into dust port (Fig. 2), then insert vacuum hose (optional accessory) into the adapter and connect the opposite end of the hose to a shop vacuum cleaner.

Always make sure the vacuum cleaner that you use is designed for extraction of masonry dust.

Auxiliary Handle

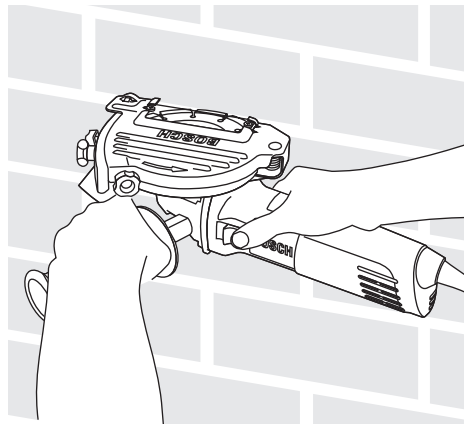
The auxiliary handle, used to guide and balance the tool can be bolted to either side of the spindle housing depending on personal preference and comfort. Always use the auxiliary handle for maximum control and ease of operation.

Tuckpointing

This tool is intended to be used as a tuckpointer. It is used to remove deteriorating mortar joints so that they can be replaced with new mortar.

For best tuckpointing results use 1/4" thick dry diamond segmented wheel.

Fig. 6



Use the adjustable depth stop to obtain the desired depth of mortar removal. The tuckpointer is held with the guard window facing upward so that the user can easily see the joint during operation.

Allow the tool to reach full speed before applying it to the workpiece surface.

Hold the tool with both hands and apply the abrasive wheel to the mortar surface.

Diamond Wheels

⚠ WARNING Do not use water when cutting with this tool.

The tool is not designed for water and electric shock may occur.

⚠ CAUTION If this tuckpointer is being used as a small abrasive cutoff machine, the tool is only approved for cutting or scoring masonry products like:

Concrete, cinder blocks, bricks, and stone.

Use Type 41/1A dry diamond wheels for cutting masonry and concrete. Dry diamond wheels stay cooler, clog less and last longer.

1. Before running a cut-off machine, inspect the cutting wheel for chips or cracks. Replace bad wheels immediately. New wheels should be run in at no load for at least a minute in the direction away from the presence of other people. Imperfect wheels will normally break apart during this time.
2. An abrasive cut-off machine must NEVER be operated without the attached guard securely in place. The guard should be rotated into the position where maximum protection is provided for the operator from sparks and wheel periphery.
3. Proper apparel for operating the tool includes eye protection, leather gloves and dust mask.
4. With the tool in the "OFF" position, become familiar with handling the tool. Control the head of the tool with the side handle. Control the cutting edge of the wheel with the switch handle. Always use both hands when operating the tool.
5. Never drop the tool. Set the tool down gently, but never on the wheel.
6. CUTTING CONCRETE will throw large amounts of dust into the surrounding area. Protective dust masks are required for breathing protection for the operator and other nearby workers.
7. It is not recommended to use this tool overhead or in any position that would not allow

proper control. Ladders are not considered solid support structures.

8. Avoid overloading tool. Do not allow the wheel to bind or stall. Many cuts, especially into solid concrete, require successive passes. Do not expose any more abrasive wheel than necessary to cut with normal amount of pressure applied to tool. Begin cutting from the edge of the material, only plunging to a depth of one diamond wheel segment. Cutting too deeply at one time does not allow dust to clear fully and erodes /thins body of wheel. Do not force the tool; load it normally. Depending on material hardness and density, make successively deeper passes until cut is complete.

Constant Response Circuitry

The internal electronic feedback system provides a "soft start," which will reduce the stresses that occur from a high torque start. The system also helps to keep the no load speed virtually constant between no-load and load conditions.

Overload Protection

Your tool is equipped with overload protection to protect the motor. If the tool stops during operation TURN OFF SWITCH IMMEDIATELY and allow the motor to cool for about 30 seconds by running at no-load. If the overload protection stops the tool repeatedly, excessive force is causing the tool to overload. Don't press so hard and let the tool do the work.

Maintenance

Service

⚠ WARNING Preventive maintenance performed by unauthorized personnel may result in misplacing of internal wires and components which could cause serious hazard. We recommend that all tool service be performed by a Bosch Factory Service Center or Authorized Bosch Service Station.

Tool Lubrication

Your Bosch tool has been properly lubricated and is ready to use. It is recommended that tools with gears be regreased with a special gear lubricant at every brush change.

Carbon Brushes

The brushes and commutator in your tool have been engineered for many hours of dependable service. To maintain peak efficiency of the motor, we recommend every two to six months the brushes be examined. Only genuine Bosch replacement brushes specially designed for your tool should be used.

Bearings

After about 300-400 hours of operation, or at every second brush change, the bearings should be replaced at Bosch Factory Service

Center or Authorized Bosch Service Station. Bearings which become noisy (due to heavy load or very abrasive material cutting) should be replaced at once to avoid overheating or motor failure.

Cleaning

⚠ WARNING To avoid accidents, always disconnect the tool from the power supply before cleaning or performing any maintenance.

Ventilation openings and switch levers must be kept clean and free of foreign matter. Do not attempt to clean by inserting pointed objects through openings.

⚠ CAUTION Certain cleaning agents and solvents damage plastic parts. Some of these are: gasoline, carbon tetrachloride, chlorinated cleaning solvents, ammonia and household detergents that contain ammonia.

Service Minder™ Brushes

Eliminates guess work, stops the tool when preventive maintenance is required.

Accessories

⚠ WARNING If an extension cord is necessary, a cord with adequate size conductors that is capable of carrying the current necessary for your tool must be used. This will prevent excessive voltage drop, loss of power or overheating.

ing. Grounded tools must use 3-wire extension cords that have 3-prong plugs and receptacles.

NOTE: The smaller the gauge number, the heavier the cord.

Recommended Sizes of Extension Cords 120 Volt Alternating Current Tools

Tool's Ampere Rating	Cord Length in Feet				Cord Length in Meters			
	25	50	100	150	15	30	60	120
	Cord Size in A.W.G.				Wire Sizes in mm ²			
3-6	18	16	16	14	.75	.75	1.5	2.5
6-8	18	16	14	12	.75	1.0	2.5	4.0
8-10	18	16	14	12	.75	1.0	2.5	4.0
10-12	16	16	14	12	1.0	2.5	4.0	—
12-16	14	12	—	—	—	—	—	—

Avertissements généraux concernant la sécurité des outils électroportatifs

⚠ AVERTISSEMENT Veuillez lire tous les avertissements et toutes les consignes de sécurité. Si l'on n'observe pas ces avertissements et ces consignes de sécurité, il existe un risque de choc électrique, d'incendie et/ou de blessures corporelles graves.

CONSERVEZ TOUS LES AVERTISSEMENTS ET TOUTES LES CONSIGNES DE SÉCURITÉ POUR RÉFÉRENCE FUTURE.

Dans les avertissements, le terme « outil électroportatif » se rapporte à votre outil branché sur le secteur (avec fil) ou à votre outil alimenté par piles (sans fil).

Sécurité du lieu de travail

Maintenez le lieu de travail propre et bien éclairé. Les risques d'accident sont plus élevés quand on travaille dans un endroit encombré ou sombre.

N'utilisez pas d'outils électroportatifs dans des atmosphères explosives, comme par exemple en présence de gaz, de poussières ou de liquides inflammables. Les outils électroportatifs produisent des étincelles qui risquent d'enflammer les poussières ou les vapeurs.

Éloignez les enfants et les visiteurs quand vous vous servez d'un outil électroportatif. Vous risquez une perte de contrôle si on vous distrait.

Sécurité électrique

Les fiches des outils électroportatifs doivent correspondre à la prise. Il ne faut absolument jamais modifier la fiche. N'utilisez pas d'adaptateur de prise avec des outils électroportatifs munis d'une fiche de terre. Le risque de choc électrique est moindre si on utilise une fiche non modifiée sur une prise qui lui correspond.

Évitez tout contact du corps avec des surfaces reliées à la terre tels que tuyaux, radiateurs, gazinières ou réfrigérateurs. Le risque de choc électrique augmente si votre corps est relié à la terre.

N'exposez pas les outils électroportatifs à la pluie ou à l'humidité. Si de l'eau pénètre dans un outil électroportatif, le risque de choc électrique augmente.

Ne maltraitez pas le cordon. Ne vous en servez jamais pour transporter l'outil électroportatif, pour le tirer ou pour le débrancher. Éloignez le cordon de la chaleur, des huiles, des arêtes coupantes ou des pièces mobiles. Les cordons abîmés ou emmêlés augmentent les risques de choc électrique.

Si vous utilisez un outil électroportatif à l'extérieur, employez une rallonge conçue pour l'extérieur. Ces rallonges sont faites pour l'extérieur et réduisent le risque de choc électrique.

S'il est absolument nécessaire d'utiliser l'outil électroportatif dans un endroit humide, utilisez une alimentation protégée par un disjoncteur de fuite de terre (GFCI). L'utilisation d'un disjoncteur GFCI réduit les risques de choc électrique.

Sécurité personnelle

Restez concentré, faites attention à ce que vous faites, et servez-vous de votre bon sens lorsque vous utilisez un outil électroportatif. N'employez pas d'outils électroportatifs quand vous êtes fatigué ou sous l'emprise de drogues, d'alcool ou de médicaments. Quand on utilise des outils électroportatifs, il suffit d'un moment d'inattention pour causer des blessures corporelles graves.

Utilisez des équipements de sécurité personnelle. Portez toujours une protection oculaire. Le port d'équipements de sécurité tels que des masques antipoussières, des chaussures de sécurité antidérapantes, des casques de chantier et des protecteurs d'oreilles dans des conditions appropriées réduira le risque de blessure corporelle.

Évitez les démarrages intempestifs. Assurez-vous que l'interrupteur est dans la position arrêt (Off) avant de brancher l'outil dans une prise de courant et/ou un bloc-piles, de le ramasser ou de le transporter. Le transport d'un outil électroportatif avec le doigt sur la gâchette ou le branchement de cet outil quand l'interrupteur est en position de marche (ON) est une invite aux accidents.

Enlevez toutes les clés de réglage avant de mettre l'outil électroportatif en marche. Si on laisse une clé sur une pièce tournante de l'outil électroportatif, il y a un risque de blessure corporelle.

Ne vous penchez pas excessivement. Conservez toujours une bonne assise et un bon équilibre. Ceci vous permettra de mieux maîtriser l'outil électroportatif dans des situations inattendues.

Habilitez-vous de manière appropriée. Ne portez pas de vêtements amples ou de bijoux. Attachez les cheveux longs. N'approchez pas les cheveux, les vêtements ou les gants des pièces en mouvement. Les vêtements amples, les bijoux ou les cheveux longs risquent d'être happés par les pièces en mouvement.

Si l'outil est muni de dispositifs permettant le raccordement d'un système d'aspiration et de collecte des poussières, assurez-vous que ces dispositifs sont raccordés et utilisés correctement. L'utilisation d'un dépoussiéreur peut réduire les dangers associés à l'accumulation de poussière.

Utilisation et entretien des outils électroportatifs

Ne forcez pas sur l'outil électroportatif. Utilisez l'outil électroportatif qui convient à la tâche à effectuer. L'outil qui convient à la tâche fait un meilleur travail et est plus sûr à la vitesse pour lequel il a été conçu.

Ne vous servez pas de l'outil électroportatif si son interrupteur ne parvient pas à le mettre en marche ou à l'arrêter. Tout outil électroportatif qui ne peut pas être commandé par son interrupteur est dangereux et doit être réparé.

Débranchez la fiche de la prise ou enlevez les bloc-piles de l'outil électroportatif avant tout réglage, changement d'accessoires ou avant de ranger l'outil électroportatif. De telles mesures de sécurité préventive réduisent le risque de démarrage intempestif de l'outil électroportatif.

Rangez les outils électroportatifs dont vous ne servez pas hors de portée des enfants et ne permettez pas à des personnes qui ne connaissent pas l'outil électroportatif ou qui ignorent ces consignes de s'en servir. Les outils électroportatifs sont dangereux dans les mains d'utilisateurs inexpérimentés.

Entretenez les outils électroportatifs. Vérifiez que les pièces mobiles sont alignées correctement et ne coincent pas. Vérifiez qu'il n'y a pas de pièces cassées ou d'autre circonstance qui risquent d'affecter le fonctionnement de l'outil électroportatif. Si l'outil est abîmé, faites-le réparer avant de l'utiliser. De nombreux accidents sont causés par des outils électroportatifs mal entretenus.

Maintenez les outils coupants affûtés et propres. Les outils coupants entretenus correctement et dotés de bords tranchants affûtés sont moins susceptibles de coincer et sont plus faciles à maîtriser.

Utilisez l'outil électroportatif, les accessoires et les embouts d'outil, etc. conformément à ces instructions, en tenant compte des conditions de travail et des travaux à réaliser. L'emploi d'outils électroportatifs pour des tâches différentes de celles pour lesquelles ils ont été prévus peut résulter en une situation dangereuse.

Entretien

Faites réparer votre outil électroportatif par un agent de service qualifié n'utilisant que des pièces de rechange identiques. Ceci assure que la sécurité de l'outil électroportatif est préservée.

Avertissements spécifiquement relatifs aux meuleuses à jointement saillant

a) Le dispositif de protection doit être fermement fixé à l'outil électroportatif et positionné pour un maximum de sécurité en s'arrangeant pour que la plus petite portion possible de meule exposée soit tournée vers l'utilisateur. Positionnez-vous, ainsi que toutes les personnes présentes, à distance du plan de la meule en rotation. Le dispositif de protection aide à protéger l'utilisateur contre les fragments de meule brisés et contre tout risque de contact accidentel avec la meule.

b) Utilisez seulement des meules à tronçonner diamantées ou composites renforcées pour votre outil électroportatif. Le simple fait qu'un accessoire puisse être attaché à votre outil électroportatif ne suffit pas à garantir un fonctionnement sans danger.

c) La vitesse nominale de l'accessoire doit être au moins égale à la vitesse maximum indiquée sur l'outil électroportatif. Les accessoires que l'on fait tourner à une vitesse supérieure à leur vitesse nominale peuvent se casser et voler en éclats.

d) Les meules ne doivent être utilisées que pour des opérations pour lesquelles elles ont été conçues. Par exemple : ne meulez pas avec le côté de la meule à tronçonner. Les meules à tronçonner sont conçues pour une rectification périphérique et l'application de forces latérales à ces meules peut les faire éclater.

e) Utilisez toujours des brides de meule non endommagées ayant un diamètre qui convient à la meule sélectionnée. Des brides de meule appropriées

soutiennent la meule, réduisant ainsi la possibilité que la meule se casse.

g) Le diamètre externe et l'épaisseur de votre accessoire doivent être dans les limites de capacité de votre outil électroportatif. Des accessoires de la mauvaise taille ne peuvent pas être adéquatement protégés ou contrôlés.

h) Les arbres des meules et des brides doivent être d'une taille qui leur permet d'être ajustés correctement sur la broche de l'outil électroportatif. Les meules et les brides qui ont des orifices d'arbre non compatibles avec la quincaillerie de montage de l'outil électroportatif seront déséquilibrés, vibreront de manière excessive et risquent de causer une perte de contrôle.

i) N'utilisez pas de meules endommagées. Inspectez les meules avant chaque utilisation pour vérifier qu'elles ne sont ni fêlées, ni ébréchées. Si vous laissez tomber l'outil ou la meule, vérifiez qu'il n'y a pas de dommages ou installez une meule en bon état. Après l'inspection et l'installation d'une meule, tenez-vous à distance du plan de la meule en rotation et demandez à toutes les personnes présentes de faire de même, puis faites fonctionner l'outil électroportatif à sa vitesse à vide maximale pendant une minute. Si une meule est endommagée, elle se cassera habituellement en plusieurs morceaux pendant cette période de test.

j) Portez des équipements de protection person-

nelle. Suivant le travail effectué, portez un masque de protection, des lunettes à coques ou des lunettes de sécurité. S'il y a lieu, portez un masque antipoussières, des dispositifs de protection de l'ouïe, des gants et un tablier d'atelier capable d'arrêter des petits fragments abrasifs ou des fragments de la pièce. Les dispositifs de protection des yeux doivent pouvoir arrêter des débris volants produits par diverses opérations. Le masque antipoussières ou le respirateur doit être capable de filtrer les particules générées par votre travail. Une exposition prolongée à un bruit de haute intensité peut entraîner une perte de l'ouïe.

k) Gardez toutes les personnes présentes à une distance sûre de l'aire de travail. Toute personne qui entre dans l'aire de travail doit porter des équipements de protection personnelle. Des fragments d'une pièce ou d'une meule brisée peuvent être projetés et causer des blessures au-delà de l'aire d'opération immédiate.

l) Tenez l'outil électroportatif exclusivement au niveau de ses surfaces de préhension isolées quand vous réalisez une opération au cours de laquelle l'accessoire de coupe risque d'entrer en contact avec des fils électriques dissimulés ou avec son propre cordon d'alimentation. Quand un accessoire de coupe entre en contact avec un fil « sous tension », cela peut mettre des parties métalliques exposées de l'outil électroportatif « sous tension » et causer un choc électrique à l'utilisateur.

m) Positionnez le cordon hors de la trajectoire de l'accessoire en rotation. Si vous perdez contrôle de l'outil, le cordon d'alimentation risque d'être coupé ou de s'accrocher, et votre main ou votre bras risque d'être tiré jusqu'à ce qu'il entre en contact avec la meule en rotation.

n) Ne posez jamais l'outil électroportatif tant que l'accessoire n'a pas complètement cessé de tourner. La meule en rotation risque d'accrocher la surface sur laquelle elle est posée et de vous faire perdre le contrôle de votre outil.

o) Ne laissez pas l'outil électroportatif en marche quand vous le portez sur le côté. Un contact accidentel avec l'accessoire en rotation risquerait d'accrocher vos vêtements et d'attirer l'accessoire vers votre corps.

p) Nettoyez régulièrement les prises d'air de l'outil électroportatif. Le ventilateur du moteur attirera de la poussière à l'intérieur du boîtier de l'outil et une accumulation excessive de poudre métallique risque de causer des dangers électriques.

q) Ne faites pas fonctionner l'outil électroportatif à proximité de matériaux inflammables. Des étincelles pourraient enflammer ces matériaux.

r) N'utilisez pas d'accessoires qui exigent des liquides de refroidissement. L'utilisation d'eau ou d'autres liquides de refroidissement peut entraîner une électrocution ou un choc électrique.

Cet outil électrique est conçu essentiellement pour les applications portant sur des jointoiments saillants et pour quelques petites applications de tron-

çonnage de maçonnerie abasive. Lisez tous les avertissements relatifs à la sécurité, les instructions, les illustrations et les spécifications fournies avec cet outil électrique. Le non-respect de toutes les instructions figurant ci-après pourrait causer un choc électrique, un incendie et/ou des blessures graves.

Avertissements sur les rebonds et effets associés.

L'effet de rebond est une réaction soudaine au pincement ou à l'accrochage d'une meule en rotation. Un tel pincement ou accrochage fait rapidement caler la meule en rotation, ce qui force l'outil électroportatif hors de contrôle à aller dans la direction opposée à celle de la meule à l'emplacement du blocage.

Par exemple, si une meule abrasive est accrochée ou pincée par la pièce, le bord de la meule à l'emplacement du pinçage peut creuser la surface du matériau et forcer la meule à se « hisser » sur la pièce ou à être éjectée. La meule peut alors sauter soit en direction de l'utilisateur, soit dans la direction opposée, en fonction de la direction du mouvement de la meule à l'emplacement du pincement. Les meules abrasives peuvent également se briser dans de telles conditions.

Les rebonds résultent d'une mauvaise utilisation de l'outil électroportatif et/ou de procédures ou de conditions d'utilisation incorrectes, et ils peuvent être évités en prenant les précautions nécessaires indiquées ci-dessous :

a) Maintenez une prise ferme sur l'outil électroportatif et positionnez votre bras et le reste de votre corps de façon à vous permettre de résister aux forces de rebond. Utilisez toujours la poignée auxiliaire, quand elle vous a été fournie, pour un contrôle maximum du rebond ou de la réaction de couple qui se produit pendant la mise en marche de l'outil. L'utilisateur peut contrôler les réactions de couple ou les forces de rebond en prenant les précautions nécessaires.

b) Ne placez jamais votre main à proximité de l'accessoire en mouvement. L'accessoire risquerait de rebondir sur votre main.

c) Ne positionnez pas votre corps dans l'alignement de la meule en rotation. L'effet de rebond projetterait l'outil dans la direction opposée à celle du mouvement de la meule à l'emplacement de l'accrochage.

d) Faites particulièrement attention quand vous travaillez des coins ou des arêtes tranchantes, etc. Évitez de faire rebondir ou d'accrocher l'accessoire. Les coins, les arêtes tranchantes et les rebondissements ont tendance à faire accrocher l'accessoire en mouvement et à entraîner une perte de contrôle ou un rebond.

e) N'attachez pas une chaîne de scie, une lame de sculpture sur bois ou une meule diamantée segmentée avec un écart périphérique de plus de 10 mm ou une lame de scie dentée. De telles lames causent fréquemment des rebonds et des pertes de contrôle.

f) Ne bloquez pas la meule et n'appliquez pas une

pression excessive sur celle-ci. Ne tentez pas de réaliser une coupe d'une profondeur excessive. La surcharge de la meule augmente sa susceptibilité à la torsion et au blocage pendant la coupe et la possibilité d'un effet de rebond ou d'une cassure de la meule.

g) Quand la meule se coince, ou quand vous interrompez une coupe pour une raison quelconque, mettez l'outil électroportatif à l'arrêt et tenez-le sans bouger jusqu'à ce que la meule s'arrête complètement. N'essayez jamais de retirer la meule au milieu d'une coupe tant que la meule tourne toujours; cela risquerait de provoquer un effet de rebond. Trouvez la cause du coincage de la meule et prenez les mesures nécessaires pour y remédier.

h) Ne recommencez pas votre opération de coupe en plaçant l'outil directement dans la pièce. Permettez à la meule d'atteindre sa vitesse optimale avant de la réintroduire prudemment dans la pièce. Si vous remettez l'outil en marche directement dans la pièce, la meule risque de se bloquer, de « grimper » sur la pièce ou de faire un rebond.

i) Soutenez les panneaux ou toute pièce surdimensionnée afin de réduire le plus possible le risque de pincement ou de rebond de la meule. Les pièces de grande taille ont tendance à fléchir sous leur propre poids. Des supports doivent être placés sous la pièce à proximité de la ligne de coupe et près du bord de la pièce des deux côtés de la meule.

j) Faites particulièrement attention quand vous exécutez une coupe « en poche » dans des murs déjà en place ou dans d'autres endroits cachés. Il se peut que la meule saillante coupe des tuyaux de gaz, des conduites d'eau, des fils électriques ou des objets qui risquent d'entraîner un rebond.

Avvertissements relatifs à la sécurité pour les travaux de meulage et de tronçonnage abrasifs

a) Utilisez seulement des types de meules qui sont recommandés pour votre outil électrique avec le dispositif de protection spécifique conçu pour la meule sélectionnée. Les meules pour lesquelles l'outil électrique n'a pas été conçu ne peuvent pas être protégées de façon adéquate et sont donc dangereuses.

b) Le dispositif de protection doit être attaché solidement à l'outil électrique et être positionné de façon à assurer le maximum de sécurité, pour qu'une partie aussi petite que possible de la meule soit exposée vers l'opérateur. Le dispositif de protection aide à protéger l'opérateur contre la projection de fragments de meules brisées et contre tout contact accidentel avec la meule.

c) Les meules ne doivent être utilisées que pour les applications recommandées. Par exemple : ne faites pas de meulage avec le côté d'une meule à tronçonner. Les meules à tronçonner abrasives sont conçues pour un meulage périphérique ; des forces appliquées latéralement sur ces meules pourraient causer leur éclatement.

d) Utilisez toujours des brides de fixation de meules non endommagées qui ont la forme et le diamètre correct pour la meule que vous avez sélectionnée. De telles brides de fixation des meules supportent les meules en réduisant le risque de cassure de la meule. Les brides conçues pour les meules de tronçonnage peuvent être différentes des brides conçues pour les meules abrasives.

e) N'utilisez pas de meules usées provenant de grands outils électriques. Une meule conçue pour un grand outil électrique n'est pas appropriée pour la vitesse plus élevée d'un outil plus petit et pourrait éclater.

Avvertissements complémentaires spécifiques relatifs à la sécurité pour les travaux de tronçonnage de matériaux abrasifs

Ne tentez pas de couper de matériaux de grandes dimensions ou des tôles, étant donné que cette machine n'est pas conçue pour être utilisée spécifiquement comme une machine de tronçonnage.

N'utilisez pas de meules abrasives de type 1 conçue pour un meulage standard.

Avertissements supplémentaires concernant la sécurité

L'emploi d'un GFCI et de dispositifs de protection personnelle tels que gants et chaussures d'électricien en caoutchouc améliore votre sécurité personnelle.

N'utilisez pas un outil conçu uniquement pour le C.A. sur une alimentation en C.C. Même si l'outil semble fonctionner, les composants électriques d'un outil prévu pour le C.A. tomberont probablement en panne et risquent de créer un danger pour l'utilisateur.

Maintenez les poignées sèches et exemptes d'huile et de graisse. On peut ne pas maîtriser un outil électroportatif en toute sécurité quand on a les mains glissantes.

Créez un agenda d'entretien périodique pour votre outil. Quand vous nettoyez un outil, faites attention de n'en démonter aucune pièce car il est toujours possible de mal remonter ou de pincer les fils internes ou de remonter incorrectement les ressorts de rappel des capots de protection. Certains agents de nettoyage tels que l'essence, le tétrachlorure de carbone, l'ammoniaque, etc. risquent d'abîmer les plastiques.

Risque de blessure pour l'utilisateur. Le cordon d'alimentation électrique ne doit être réparé que par un

Centre de service usine de Bosch ou par une Station service agréée de Bosch.












⚠ AVERTISSEMENT Les travaux à la machine tel que ponçage, sciage, meulage, perçage et autres travaux du bâtiment peuvent créer des poussières contenant des produits chimiques qui sont des causes reconnues de cancer, de malformation congénitale ou d'autres problèmes reproductifs. Ces produits chimiques sont, par exemple :

- Le plomb provenant des peintures à base de plomb,
- Les cristaux de silices provenant des briques et du ciment et d'autres produits de maçonnerie, et
- L'arsenic et le chrome provenant des bois traités chimiquement.

Le niveau de risque dû à cette exposition varie avec la fréquence de ces types de travaux. Pour réduire l'exposition à ces produits chimiques, il faut travailler dans un lieu bien ventilé et porter un équipement de sécurité approprié tel que certains masques à poussière conçus spécialement pour filtrer les particules microscopiques.


Symboles

IMPORTANT: Certains des symboles suivants peuvent être utilisés sur votre outil. Veuillez les étudier et apprendre leur signification. Une interprétation appropriée de ces symboles vous permettra d'utiliser l'outil de façon plus efficace et plus sûre.

Symbol	Name	Designation/Explanation
V	Volts	Tension (potentielle)
A	Ampères	Courant
Hz	Hertz	Fréquence (cycles par seconde)
W	Watt	Puissance
kg	Kilogrammes	Poids
min	Minutes	Temps
s	Secondes	Temps
∅	Diamètre	Taille des mèches de perceuse, meules, etc.
n_0	Vitesse à vide	Vitesse de rotation, à vide
n	Vitesse nominale	Vitesse maximum pouvant être atteinte
.../min	Tours ou mouvements alternatifs par minute	Tours, coups, vitesse en surface, orbites, etc., par minute
0	Position d'arrêt	Vitesse zéro, couple zéro ...
1, 2, 3, ... I, II, III,	Réglages du sélecteur	Réglages de vitesse, de couple ou de position. Un nombre plus élevé signifie une vitesse plus grande
0 	Sélecteur variable à l'infini avec arrêt	La vitesse augmente depuis le réglage 0
	Flèche	Action dans la direction de la flèche
	Courant alternatif	Type ou caractéristique du courant
	Courant continu	Type ou caractéristique du courant
	Courant alternatif ou continu	Type ou caractéristique du courant
	Construction classe II	Désigne des outils construits avec double isolation
	Borne de terre	Borne de mise à la terre
	Symbole d'avertissement	Alerte l'utilisateur aux messages d'avertissement.
	Sceau Li-ion RBRC	Désigne le programme de recyclage des piles Li-ion.
	Sceau Ni-Cad RBRC	Désigne le programme de recyclage des piles Ni-Cad.
	Symbole de lecture du mode d'emploi	Alerte l'utilisateur pour lire le mode d'emploi

Symboles (suite)

IMPORTANT: Certains des symboles suivants peuvent être utilisés sur votre outil. Veuillez les étudier et apprendre leur signification. Une interprétation appropriée de ces symboles vous permettra d'utiliser l'outil de façon plus efficace et plus sûre.

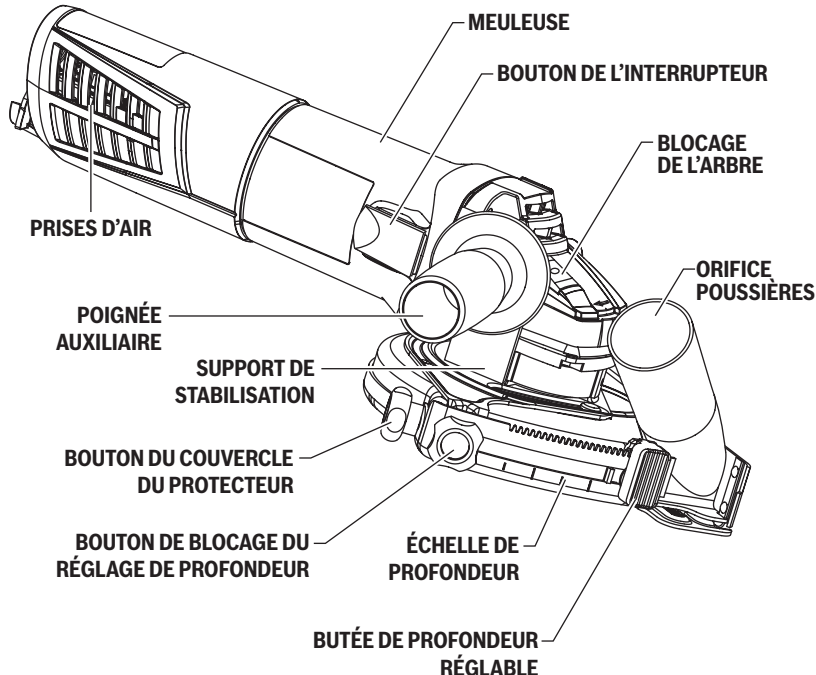
Symbol	Name	Designation/Explanation
	Symbole de port de lunettes de sécurité	Alerte l'utilisateur pour qu'il porte des lunettes de sécurité
	Symbole de protection des yeux et des oreilles	Fait savoir à l'utilisateur qu'il doit porter des dispositifs de protection des yeux et des oreilles.
	Symbole de protection des yeux et de l'appareil respiratoire	Fait savoir à l'utilisateur qu'il doit porter des dispositifs de protection des yeux et de l'appareil respiratoire.
	Symbole de protection des yeux, des oreilles et du visage	Fait savoir à l'utilisateur qu'il doit porter des dispositifs de protection des yeux, des oreilles et de l'appareil respiratoire.
	Symbole de référencement UL	Ce symbole indique que cet outil est reconnu par Underwriters Laboratories.
	Symbole de reconnaissance UL	Ce symbole signifie que cet outil est approuvé par Underwriters Laboratories selon les normes des États-Unis et du Canada.
	Symbole de référencement UL É.-U. / Canada	Ce symbole signifie que cet outil est approuvé par l'Association canadienne de normalisation.
	Symbole de référencement CSA	Ce symbole signifie que cet outil est approuvé par l'Association canadienne de normalisation.
	Symbole de référencement UL Canada / E.-U.	Ce symbole signifie que cet outil est approuvé par l'Association canadienne de normalisation selon les normes des États-Unis et du Canada.
	Symbole de référencement Intertek	Ce symbole signifie que cet outil est approuvé par Intertek Testing Services selon les normes des États-Unis et du Canada.

Description fonctionnelle et spécifications

⚠ AVERTISSEMENT Débranchez la fiche de la prise de courant avant d'effectuer quelque assemblage ou réglage que ce soit ou de changer les accessoires. Ces mesures de sécurité préventive réduisent le risque d'une mise en marche accidentelle de l'outil.

Meuleuse pour jointoiments saillants

Fig. 1



Numéro de modèle :	GWS13-52TG
Ampères :	13.0
Volts AC :	120
Vitesse nominale (RPM), /min :	9300
Filet d'arbre :	5/8"-11
Brides de fixation/Écrous :	Bride d'adossement 1600A002TP Écrou de blocage 1600A002TR
Diamètre et type de la meule :	Meuleuse pour jointoiments saillants de 5 po (125 mm) Meule de tronçonnage diamantée de 5 po (125 mm) Meule de détection de fissures de 5 po (125 mm)

REMARQUE : Pour les spécifications de l'outil, référez-vous à la plaque signalétique de votre outil.

Assemblage

Installation du protecteur de la meuleuse pour jointoiments saillants

L'outil est fourni avec le dispositif de protection pour le jointoiment saillant complètement assemblé. Cependant, s'il est nécessaire de procéder à des réglages de ce dispositif de protection, suivez ces instructions.

Retrait du dispositif de protection :

1. Débranchez l'outil de sa source d'alimentation électrique.
2. Dévissez la poignée auxiliaire.
3. Faites tourner le protecteur jusqu'à ce que les flèches sur le protecteur et le col de l'arbre soient alignées.
4. Retirez le protecteur du col de l'arbre.

Pour rattacher le protecteur (Fig. 2) :

1. Débranchez l'outil de sa source d'alimentation électrique.
2. Positionnez le protecteur sur le col de l'arbre de telle façon que les flèches sur le protecteur et sur le col de l'arbre soient alignées.
3. Faites glisser le protecteur sur le col de l'arbre, faites tourner le protecteur jusqu'à ce que le support de stabilisation et le trou pour la poignée auxiliaire soient alignés.
4. Vissez la poignée auxiliaire pour sécuriser le protecteur sur l'outil.
5. Positionnez toujours le protecteur de la roue entre l'opérateur et l'ouvrage, et dirigez les étincelles dans le sens opposé à celui de l'opérateur (Fig. 3).

Fig. 3

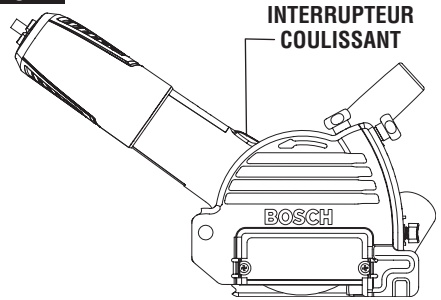
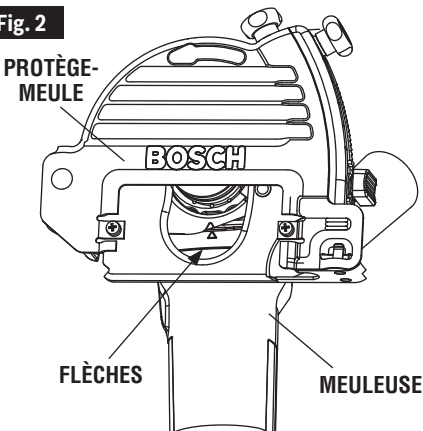


Fig. 2



Montage et démontage des meules

1. Desserrez et enlevez le bouton de blocage du couvercle du protecteur (Fig. 3)
2. Poussez la portion surélevée du couvercle du protecteur située près du clip de blocage (Fig. 3) dans le sens de la flèche pour débloquer le couvercle du protecteur, et écartez ce dernier en le faisant pivoter. (Fig. 4).
3. Placez la bride d'adossement (fourni avec le protecteur) sur l'arbre (Fig. 4). Faites tourner la bride jusqu'à ce qu'elle soit solidement en place à la base de l'arbre.
4. Placez la roue sur l'arbre et alignez le trou pour l'arbre de la meule sur l'épaulement de l'écrou de blocage (fourni avec le protecteur).
5. Serrez l'écrou de blocage en vous servant de la clé à

écrou de blocage fournie tout en maintenant en place le dispositif de blocage de l'arbre.

6. Ramenez le couvercle du protecteur à sa position initiale et encliquetez-le dans le clip pour le maintenir en place (Fig. 3).

7. Remontez le bouton du couvercle du protecteur et serrez fermement ce dernier (Fig. 3).

Pour le retirer, inversez la procédure.

Fig. 4

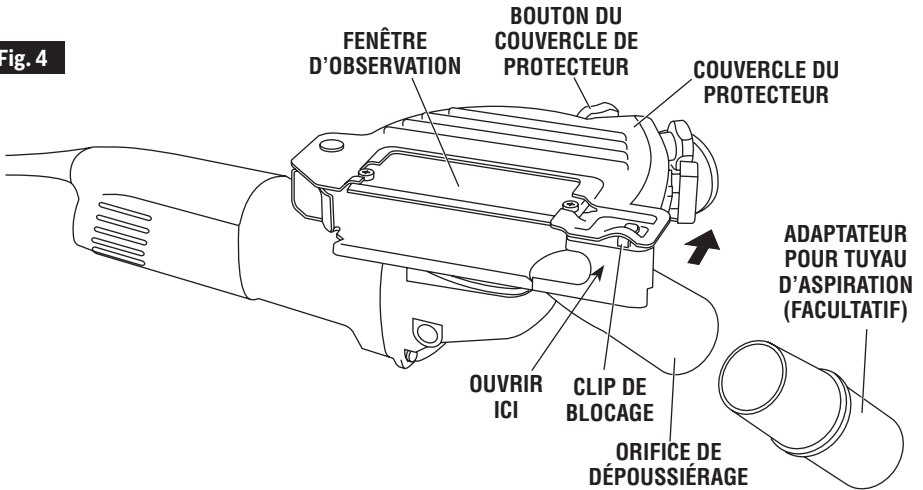
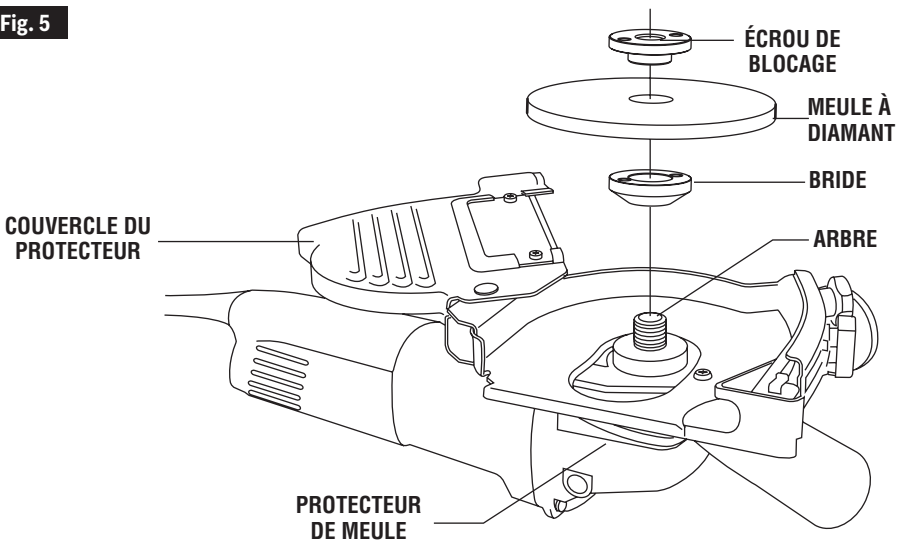


Fig. 5



Consignes de fonctionnement

Butée de profondeur réglable

Votre outil est muni d'une butée de profondeur réglable. Vous pouvez l'utiliser pour pré-régler ou répéter la profondeur de coupe (Fig. 1).

1. Desserrez le bouton de blocage de la butée de profondeur.
2. Appuyez sur le bouton de butée de profondeur réglable, mettez-le dans la position désirée sur le support de profondeur et relâchez le bouton pour fixer la butée en place.
3. Placez le sabot contre la pièce, appuyez sur l'outil jusqu'à ce qu'il bute.
4. Pour fixer et maintenir l'ensemble de sabot et protecteur à la profondeur de coupe désirée, mettez le sabot à la profondeur de coupe désirée et serrez fermement le bouton de blocage de la butée de profondeur.

Protecteur de la meuleuse pour jointoiments saillants

AVERTISSEMENT Le dispositif de protection pour le jointoiment saillant doit être attaché lors de l'utilisation de meules abrasives, y compris les meules diamantées. Veillez à ce que le dispositif de protection soit toujours placé entre votre ouvrage et vous pendant votre utilisation de cet outil.

Positionnez le protecteur de telle sorte que l'orifice de dépoussiérage n'affecte pas le fonctionnement de l'interrupteur de marche-arrêt.

Le modèle GWS13-52TG ne peut être utilisé qu'avec le protecteur pour jointoiments saillants fourni.

Interrupteur de marche/arrêt coulissant avec dispositif de verrouillage

AVERTISSEMENT Tenez l'outil à deux mains à la mise en marche car le couple du moteur peut transmettre une certaine torsion.

L'outil se met en marche à l'aide du bouton d'interrupteur situé sur le côté du carter du moteur. L'interrupteur peut être bloqué en position de marche, fonction commode pour les longues opérations de rectification.

Pour mettre l'outil en marche sans le verrouiller, glissez l'interrupteur vers l'avant en appuyant SEULEMENT sur la partie ARRIÈRE du bouton. Au relâchement, le bouton retournera à la position d'arrêt.

POUR BLOQUER L'INTERRUPTEUR EN MARCHÉ, glissez l'interrupteur vers l'avant et appuyez sur la partie AVANT du bouton.

POUR DÉBLOQUER L'INTERRUPTEUR, appuyez simplement sur la partie ARRIÈRE du bouton et relâchez-le aussitôt. Étant donné que l'interrupteur est à ressort, il reviendra automatiquement.

Mettez l'outil en marche avant de le poser sur la pièce. De même, soulevez-le avant d'en relâcher l'interrupteur. Pour prolonger la durée de vie de l'interrupteur, évitez de le mettre sous tension et hors tension pendant que l'outil est à l'oeuvre.

Extraction de la poussière

AVERTISSEMENT Cet outil ne doit être utilisé qu'avec un système d'extraction de la poussière. Portez toujours un système agréé de protection respiratoire.

Votre outil est pourvu d'un orifice de dépoussiérage pour l'extraction de la poussière. Pour utiliser ce système, insérez l'adaptateur dans l'orifice de dépoussiérage (Fig. 2), ensuite insérez le tuyau d'aspiration (accessoire en option) dans l'adaptateur et raccordez son autre extrémité sur un aspirateur d'atelier.

Assurez-vous toujours que l'aspirateur que vous utilisez est conçu pour l'extraction de poussière de maçonnerie.

Poignée auxiliaire

La poignée auxiliaire, qui est utilisée pour guider et équilibrer l'outil, doit être sécurisée sur le côté de l'outil qui n'est pas face au mur. Utilisez toujours la poignée auxiliaire afin d'augmenter le contrôle et la facilité de fonctionnement.

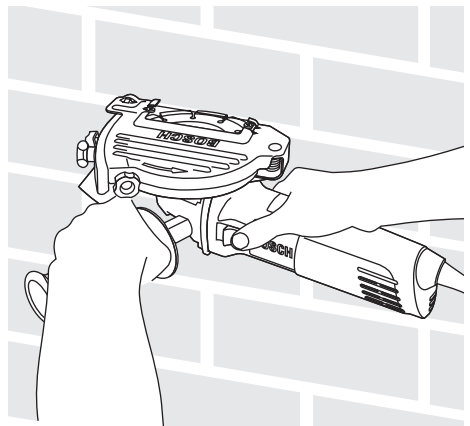
Meuleuse pour jointoiments saillants

Cet outil est prévu pour décaper les jointoiments saillants. On s'en sert pour enlever les joints de mortier détériorés afin de les remplacer avec du mortier frais.

Pour obtenir un rejointoiment de bonne qualité utilisez une meule diamantée segmentée pour travail à sec de 1/4 po d'épaisseur.

Utilisez la butée de profondeur réglable pour obtenir

Fig. 6



la profondeur désirée de mortier à enlever. La meuleuse pour jointoiements saillants est tenue avec la fenêtre du protecteur orientée vers le haut de façon que l'utilisateur puisse voir facilement le joint pendant l'opération.

Laissez l'outil atteindre sa pleine vitesse avant de l'appliquer sur la surface à travailler.

Tenez l'outil à deux mains et appuyez la meule contre la surface du mortier.

Meules diamantées

⚠ AVERTISSEMENT N'utilisez pas d'eau lorsque vous coupez avec cet outil. L'outil n'est pas conçu pour un emploi avec de l'eau, et il existe un risque de choc électrique.

⚠ MISE EN GARDE Si on désire utiliser cette meuleuse pour jointoiements saillants en tant que petite tronçonneuse à disque, elle n'est homologuée que pour couper les matériaux de maçonnerie suivants :

Béton, parpaings, briques et pierre.

Utilisez des meules à diamant sèches de type 41/1A pour couper la maçonnerie et le béton. Les meules diamantées sèches restent plus fraîches, se colmatent moins et durent plus longtemps.

1. Avant de mettre une machine à tronçonner en marche, inspectez la meule de tronçonnage pour y relever tout éclat ou fissure. Remplacez les meules défectueuses immédiatement. Il faut faire fonctionner les meules neuves à vide pendant au moins une minute dans le sens opposé à celui où se trouvent des gens. Les meules imparfaites voleront normalement en éclats durant cette période.
2. Une machine de tronçonnage abrasive ne doit JAMAIS être utilisée sans que le protecteur ne soit solidement attaché à sa place. Le protecteur doit être tourné à la position à laquelle une protection maximale est assurée pour l'opérateur contre les étincelles et la périphérie de la meule.
3. Portez des vêtements appropriés pour utiliser cet outil, notamment des lunettes de protection des yeux, des gants en cuir et un masque antipoussière.
4. Avec l'outil en position d'arrêt, familiarisez-vous avec le maniement de l'outil. Contrôlez la tête de l'outil à l'aide de la poignée latérale. Contrôlez le tranchant de la meule à l'aide de la poignée de l'interrupteur. Servez-vous toujours de vos deux mains pour utiliser l'outil.
5. Ne faites jamais tomber l'outil. Posez l'outil délicatement, mais jamais sur la meule.
6. LA COUPE DU BÉTON projettera de grandes quantités de poussière dans les environs. Des masques de protection contre la poussière sont nécessaires pour protéger la respiration de l'opérateur et d'autres personnes travaillant à proximité.
7. Il n'est pas recommandé d'utiliser cet outil en position surélevée ou dans toute autre position qui

ne permettrait pas de le contrôler totalement. Les échelles ne sont pas considérées comme des structures de soutien suffisamment solides.

8. Évitez de surcharger l'outil. Ne laissez pas la meule se gripper ou se coincer. Bon nombre de coupes, surtout dans le béton massif, nécessitent des passes successives. N'exposez pas plus de meule abrasive que nécessaire pour couper avec un degré normal de pression exercée sur l'outil. Commencez à couper depuis le bord du matériau et ne plongez que jusqu'à une profondeur d'un segment de meule diamantée. Si vous coupez trop profondément en une seule passe, la poussière ne pourra pas être dissipée assez vite et le corps de la meule sera érodé/aminci. Suivant la dureté et la densité du matériau, faites des passes successivement plus profondes jusqu'à ce que la coupe soit terminée.

Circuit d'asservissement « réponse constante »

Le dispositif de réaction interne assure un « départ en douceur », réduisant ainsi les contraintes que procure un départ à couple élevé. Le système aide également à garder la vitesse à vide essentiellement constante entre les conditions à vide et de charge.

Protection contre la surcharge

Votre outil est équipé d'une protection contre la surcharge afin de protéger le moteur. Si l'outil s'arrête durant le fonctionnement, METTEZ L'INTERRUPTEUR À L'ARRÊT IMMÉDIATEMENT et laissez le moteur refroidir pendant environ 30 secondes en fonctionnant à vide. Si la protection contre la surcharge arrête l'outil à plusieurs reprises, une force excessive cause la surcharge de l'outil. N'exercez pas une pression aussi forte et laissez l'outil faire le travail.

Entretien

Service après-vente

⚠ AVERTISSEMENT IL N'EXISTE À L'INTÉRIEUR AUCUNE PIÈCE SUSCEPTIBLE D'ÊTRE ENTRETENUE PAR L'UTILISATEUR. L'entretien préventif exécuté par des personnes non autorisés peut entraîner un positionnement erroné des composants et des fils internes, ce qui peut présenter de graves dangers. Nous recommandons de confier toute intervention d'entretien sur l'outil à un centre de service-usine Bosch ou à un centre de service après-vente Bosch agréé. **TECHNICIENS** : Débranchez l'outil et/ou le chargeur de la source de courant avant d'effectuer une opération d'entretien.

Graissage de l'outil

Votre outil Bosch a été convenablement graissé et est prêt à utiliser. Il est recommandé que les outils à engrenages soient regraissés avec une graisse spéciale à l'occasion de tout remplacement de balais.

Balais de charbon

Les balais et le collecteur de votre outil ont été conçus pour donner plusieurs heures de fonctionnement sans aléas. Pour permettre au moteur de fonctionner aussi efficacement que possible, nous recommandons d'examiner les balais tous les deux à six mois. Vous ne devriez utiliser que les balais de rechange d'origine Bosch qui conviennent spécialement à votre outil.

Roulements

Après environ 300 à 400 heures d'utilisation, ou à tous les deux remplacements des balais, il faudrait confier le remplacement des roulements à un centre de service-usine Bosch ou à un centre de service après-vente Bosch agréé. Les roulements qui sont devenus bruyants (à cause de sciage de matériaux très abrasifs ou de durs efforts) devraient être remplacés immédiatement pour éviter la surchauffe et la défaillance du moteur.

Nettoyage

⚠ AVERTISSEMENT Pour éviter les accidents, débranchez toujours l'outil et/ou le chargeur de la source de courant avant de nettoyer.

Gardez les prises d'air et les interrupteurs propres et libres de débris. N'essayez pas de les nettoyer en introduisant des objets pointus dans leurs ouvertures.

⚠ MISE EN GARDE Certains agents de nettoyage et certains dissolvants abîment les pièces en plastique. Parmi ceux-ci on peut citer : l'essence, le tétrachlorure de carbone, les dissolvants de nettoyage chlorés, l'ammoniaque ainsi que les détergents domestiques qui en contiennent.

Balais service minder™

Facilitent l'entretien préventif en arrêtant l'outil quand c'est nécessaire.

Accessoires

⚠ AVERTISSEMENT Si un cordon de rallonge s'avère nécessaire, vous devez utiliser un cordon avec conducteurs de dimension adéquate pouvant porter le courant nécessaire à votre outil. Ceci préviendra une chute excessive de tension, une perte de courant ou

une surchauffe. Les outils mis à la terre doivent utiliser des cordons de rallonge trifilaires pourvus de fiches à trois broches ainsi que des prises à trois broches.

REMARQUE : Plus le calibre est petit, plus le fil est gros.

Dimensions recommandées pour les rallonges Outils de 120 volts à courant alternatif

Intensité nominale de l'outil	Longueur en pieds				Longueur en mètres			
	25	50	100	150	15	30	60	120
	Calibre A.W.G.				Calibre en mm ²			
3-6	18	16	16	14	.75	.75	1.5	2.5
6-8	18	16	14	12	.75	1.0	2.5	4.0
8-10	18	16	14	12	.75	1.0	2.5	4.0
10-12	16	16	14	12	1.0	2.5	4.0	—
12-16	14	12	—	—	—	—	—	—

Advertencias generales de seguridad para herramientas mecánicas

⚠ ADVERTENCIA Lea todas las advertencias de seguridad y todas las instrucciones. Si no se siguen las advertencias e instrucciones, el resultado podría ser sacudidas eléctricas, incendio y/o lesiones graves.

GUARDE TODAS LAS ADVERTENCIAS E INSTRUCCIONES PARA REFERENCIA FUTURA

La expresión “herramienta mecánica” en las advertencias se refiere a su herramienta mecánica alimentada por la red eléctrica (herramienta alámbrica) o su herramienta mecánica alimentada por baterías (herramienta inalámbrica).

Seguridad del área de trabajo

Mantenga el área de trabajo limpia y bien iluminada. Las áreas desordenadas u oscuras invitan a que se produzcan accidentes.

No utilice herramientas mecánicas en atmósferas explosivas, como por ejemplo en presencia de líquidos, gases o polvos inflamables. Las herramientas mecánicas generan chispas que pueden incendiar el polvo o los vapores.

Mantenga alejados a los niños y a las personas que estén presentes mientras esté utilizando una herramienta mecánica. Las distracciones pueden hacerle perder el control de la herramienta.

Seguridad eléctrica

Los enchufes de las herramientas mecánicas deben coincidir con el tomacorriente. No modifique nunca el enchufe de ningún modo. No use enchufes adaptadores con herramientas mecánicas conectadas a tierra (puestas a tierra). Los enchufes no modificados y los tomacorrientes coincidentes reducirán el riesgo de sacudidas eléctricas.

Evite el contacto del cuerpo con las superficies conectadas o puestas a tierra, tales como tuberías, radiadores, estufas y refrigeradores. Hay un aumento del riesgo de sacudidas eléctricas si el cuerpo del operador se conecta o pone a tierra.

No exponga las herramientas mecánicas a la lluvia o a condiciones mojadas. La entrada de agua en una herramienta mecánica aumentará el riesgo de que se produzcan sacudidas eléctricas.

No maltrate el cordón de energía. No use nunca el cordón para transportar la herramienta mecánica, tirar de ella o desenchufarla. Mantenga el cordón alejado del calor, el aceite, los bordes afilados o las piezas móviles. Los cordones dañados o enganchados aumentan el riesgo de que se produzcan sacudidas eléctricas.

Cuando utilice una herramienta mecánica en el exterior, use un cordón de extensión adecuado para uso a la intemperie. La utilización de un cordón adecuado para uso a la intemperie reduce el riesgo de que se produzcan sacudidas eléctricas.

Si es inevitable utilizar una herramienta mecánica en un lugar húmedo, utilice una fuente de energía protegida por un interruptor de circuito accionado por corriente de pérdida a tierra (GFCI). El uso de un GFCI reduce el riesgo de sacudidas eléctricas.

Seguridad personal

Manténgase alerta, fíjese en lo que está haciendo y use el sentido común cuando esté utilizando una herramienta mecánica. No use una herramienta mecánica cuando esté cansado o bajo la influencia de drogas, alcohol o medicamentos. Un momento de distracción mientras esté utilizando herramientas mecánicas podría causar lesiones corporales graves.

Use equipo de protección personal. Use siempre protección de los ojos. El equipo de protección, como por ejemplo una máscara antipolvo, calzado de seguridad antideslizante, casco o protección de oídos, utilizado para las condiciones apropiadas, reducirá las lesiones corporales.

Evite el arranque accidental. Asegúrese de que el interruptor esté en la posición de apagado antes de conectar la herramienta a la fuente de energía y / o al paquete de batería, levantar la herramienta o transportarla. Transportar herramientas mecánicas con un dedo en el interruptor o suministrar corriente a herramientas mecánicas que tengan el interruptor en la posición de encendido invita a que se produzcan accidentes.

Quite todas las llaves de ajuste o de tuerca antes de encender la herramienta mecánica. Una llave de tuerca o de ajuste que se deje colocada en una pieza giratoria de la herramienta mecánica podría causar lesiones corporales.

No intente alcanzar demasiado lejos. Mantenga un apoyo de los pies y un equilibrio apropiados en todo momento. Esto permite controlar mejor la herramienta mecánica en situaciones inesperadas.

Vístase adecuadamente. No use ropa holgada ni alhajas holgadas. Mantenga el pelo, la ropa y los guantes alejados de las piezas móviles. La ropa holgada, las alhajas holgadas o el pelo largo pueden quedar atrapados en las piezas móviles.

Si se proporcionan dispositivos para la conexión de instalaciones de extracción y recolección de polvo, asegúrese de que dichas instalaciones estén conectadas y se usen correctamente. El uso de dispositivos de recolección de polvo puede reducir los peligros relacionados con el polvo.

Uso y cuidado de las herramientas mecánicas

No fuerce la herramienta mecánica. Use la herramienta mecánica correcta para la aplicación que

deseo realizar. La herramienta mecánica correcta hará el trabajo mejor y con más seguridad a la capacidad nominal para la que fue diseñada.

No use la herramienta mecánica si el interruptor no la enciende y apaga. Toda herramienta mecánica que no se pueda controlar con el interruptor es peligrosa y debe ser reparada.

Desconecte el enchufe de la fuente de energía y/o el paquete de batería de la herramienta mecánica antes de hacer cualquier ajuste, cambiar accesorios o almacenar herramientas mecánicas. Dichas medidas preventivas de seguridad reducen el riesgo de arrancar accidentalmente la herramienta mecánica.

Guarde las herramientas mecánicas que no esté usando fuera del alcance de los niños y no deje que personas que no estén familiarizadas con la herramienta mecánica o con estas instrucciones utilicen la herramienta. Las herramientas mecánicas son peligrosas en manos de usuarios que no hayan recibido capacitación.

Mantenga las herramientas mecánicas. Compruebe si hay piezas móviles desalineadas o que se atorán, si hay piezas rotas y si existe cualquier otra situación que podría afectar el funcionamiento de la

herramienta mecánica. Si la herramienta mecánica está dañada, haga que la reparen antes de usarla. Muchos accidentes son causados por herramientas mecánicas mantenidas deficientemente.

Mantenga las herramientas de corte afiladas y limpias. Es menos probable que las herramientas de corte mantenidas apropiadamente, con bordes de corte afilados, se atorén, y dichas herramientas son más fáciles de controlar.

Utilice la herramienta mecánica, los accesorios, las brocas de la herramienta, etc., de acuerdo con estas instrucciones, teniendo en cuenta las condiciones de trabajo y el trabajo que se vaya a realizar. El uso de la herramienta mecánica para operaciones distintas a aquéllas para las que fue diseñada podría causar una situación peligrosa.

Servicio de ajustes y reparaciones

Haga que su herramienta mecánica reciba servicio de un técnico de reparaciones calificado, utilizando únicamente piezas de repuesto idénticas. Esto asegurará que se mantenga la seguridad de la herramienta mecánica.

Advertencias de seguridad específicas para rejuntadoras-amoladoras

a) El protector suministrado con la herramienta se debe instalar firmemente en la herramienta mecánica y se debe posicionar de manera que brinde la máxima seguridad, para que la cantidad de rueda que esté expuesta hacia el operador sea mínima. Posiciónese usted y posicione a las personas que estén presentes alejándose del plano de la rueda que gira. El protector ayuda a proteger al operador contra los fragmentos de rueda rota y el contacto accidental con la rueda.

b) Utilice únicamente ruedas de corte con aglomerado reforzadas o de diamante para su herramienta mecánica. El hecho de que un accesorio se pueda instalar en su herramienta mecánica no garantiza un funcionamiento seguro.

c) La velocidad nominal del accesorio debe ser al menos igual a la velocidad máxima marcada en la herramienta mecánica. Los accesorios que se hagan funcionar más rápidamente que su velocidad nominal se pueden romper y salir despedidos.

d) Las ruedas se deben utilizar solamente para las aplicaciones recomendadas. Por ejemplo: no amuele con el lado de una rueda recortadora. Las ruedas recortadoras abrasivas están diseñadas para realizar amolado periférico; las fuerzas laterales aplicadas a estas ruedas pueden hacer que se rompan en pedazos.

e) Utilice siempre pestañas de rueda no dañadas que tengan el diámetro correcto para la rueda que usted seleccione. Las pestañas de rueda apropiadas soportan la rueda, con lo cual reducen la posibilidad de que la rueda se rompa.

g) El diámetro exterior y el grosor de su accesorio deben estar dentro de la capacidad nominal de su herramienta mecánica. Los accesorios de tamaño incorrecto no se pueden proteger ni controlar adecuadamente.

h) El tamaño del eje portaherramienta de las ruedas y las pestañas debe encajar apropiadamente en el husillo de la herramienta mecánica. Las ruedas y las pestañas con agujeros de eje portaherramienta que no coincidan con los herrajes de montaje de la herramienta mecánica funcionarán desequilibradas, vibrarán excesivamente y podrían causar pérdida de control.

i) No utilice ruedas que estén dañadas. Antes de cada uso, inspeccione las ruedas para comprobar si tienen astilladuras y grietas. Si la herramienta mecánica o la rueda se cae, realice una inspección para comprobar si hay daños o instale una rueda que no esté dañada. Después de inspeccionar e instalar la rueda, posiciónese usted y posicione a las personas que estén presentes alejándose del plano de la rueda que gira y haga funcionar la herramienta mecánica a la máxima velocidad sin carga durante un minuto. Normalmente, las ruedas dañadas se romperán en pedazos durante este tiempo de prueba.

j) Utilice equipo de protección personal. Dependiendo de la aplicación, use una careta, anteojos de seguridad o lentes de seguridad. Según sea apropiado, use una máscara antipolvo, protectores de la audición, guantes y un delantal de taller capaz de detener pequeños fragmentos de abrasivo o de la pieza de trabajo. La protección de los ojos debe ser capaz de detener los residuos que salgan despe-

didos al ser generados por diversas operaciones. La máscara antipolvo o el respirador debe ser capaz de filtrar las partículas generadas por la operación que usted realice. La exposición prolongada a ruido de alta intensidad puede causar pérdida de audición.

k) Mantenga a las personas presentes a una distancia segura del área de trabajo. Toda persona que entre al área de trabajo debe usar equipo de protección personal. Los fragmentos de la pieza de trabajo o de una rueda rota pueden salir despedidos y causar lesiones más allá del área inmediata de operación.

l) Agarre la herramienta mecánica solamente por las superficies de agarre con aislamiento cuando realice una operación en la que el accesorio de corte pueda entrar en contacto con cables ocultos o su propio cordón de energía. Si un accesorio de corte entra en contacto con un cable "con corriente", eso puede hacer que las partes metálicas de la herramienta mecánica que estén al descubierto "lleven corriente" y causen descargas eléctricas al operador.

m) Posicione el cordón de energía alejado del accesorio que gira. Si usted pierde el control, el cordón de energía puede resultar cortado o enganchado y la mano o el brazo del operador pueden ser arrastrados hasta la rueda que gira.

n) No deje nunca la herramienta mecánica en ningún lugar hasta que el accesorio se haya detenido por completo. La rueda que gira se puede enganchar en la superficie y tirar de la herramienta mecánica hasta hacer que usted pierda el control.

o) No haga funcionar la herramienta mecánica mientras la lleva a su lado. El contacto accidental con el accesorio que gira podría enganchar la ropa del operador y tirar del accesorio hacia su cuerpo.

p) Limpie regularmente las aberturas de ventilación de la herramienta mecánica. El ventilador del motor absorberá el polvo al interior de la carcasa y la acumulación excesiva de metal en polvo puede causar peligros eléctricos.

q) No utilice la herramienta mecánica cerca de materiales inflamables. Las chispas podrían incendiar estos materiales.

r) No utilice accesorios que requieran enfriadores líquidos. La utilización de agua u otros enfriadores líquidos puede causar electrocución o descargas eléctricas.

Esta herramienta mecánica está diseñada principalmente para aplicaciones de rejuntado y algunas aplicaciones pequeñas de corte abrasivo de mampostería. Lea todas las advertencias de seguridad, instrucciones, ilustraciones y especificaciones suministradas con esta herramienta mecánica. Si no se siguen todas las instrucciones que se indican a continuación, es posible que el resultado sea descargas eléctricas, incendio y/o lesiones graves.

Retroceso y advertencias relacionadas

El retroceso es una reacción repentina a una rueda, una almohadilla de soporte, un cepillo o cualquier otro

accesorio rotativo que resulte pellizcado o enganchado. El pellizcamiento o el enganche causan una parada rápida del accesorio que rota, lo cual a su vez hace que la herramienta mecánica descontrolada sea forzada en sentido opuesto al de rotación del accesorio en el punto de atoramiento.

Por ejemplo, si la pieza de trabajo engancha o pellizca una rueda abrasiva, el borde de la rueda que esté entrando en el punto de pellizcamiento puede penetrar en la superficie del material, haciendo que la rueda se salga del corte o experimente retroceso. La rueda puede saltar hacia el operador o alejándose de éste, dependiendo del sentido de movimiento de dicha rueda en el punto de pellizcamiento. Las ruedas abrasivas también se pueden romper en estas condiciones.

El retroceso es el resultado de la utilización indebida de la herramienta mecánica y/o de procedimientos o condiciones de operación incorrectos, y se puede evitar tomando las precauciones apropiadas que se indican a continuación.

a) Mantenga un agarre firme de la herramienta mecánica y posicione el cuerpo y el brazo para permitir que usted resista las fuerzas de retroceso. Utilice siempre el mango auxiliar, si se suministra, para tener el máximo control sobre el retroceso o la reacción de fuerza de torsión durante el arranque. El operador puede controlar las reacciones de fuerza de torsión o las fuerzas de retroceso, si se toman las precauciones apropiadas.

b) No coloque nunca la mano cerca del accesorio que gira. El accesorio puede experimentar retroceso sobre la mano.

c) No posicione el cuerpo en línea con la rueda que gira. El retroceso propulsará la herramienta en sentido contrario al del movimiento de la rueda en el punto de enganche.

d) Tenga cuidado especial cuando trabaje en esquinas, bordes afilados, etc. Evite hacer rebotar y enganchar el accesorio. Las esquinas, los bordes afilados o los rebotes tienen tendencia a enganchar el accesorio que gira y causar pérdida de control o retroceso.

e) No instale una cadena de sierra, una hoja para tallar madera, una rueda de diamante segmentada con una holgura periférica superior a 10 mm o una hoja de sierra dentada. Dichas hojas generan retroceso y pérdida de control frecuentes.

f) No "atore" la rueda ni ejerza una presión excesiva. No intente lograr una profundidad de corte excesiva. Si se somete la rueda a una tensión excesiva, se aumenta la carga y la susceptibilidad de la rueda a torcerse o atorarse en el corte, así como la posibilidad de retroceso o rotura de la rueda.

g) Cuando la rueda se esté atorando o cuando se interrumpa un corte por cualquier motivo, apague la herramienta mecánica y sujétela en posición inmóvil hasta que la rueda se detenga por completo. No intente nunca sacar del corte la rueda recortadora mientras dicha rueda esté en movimiento, ya

que si lo hace podría ocurrir retroceso. Investigue la causa del atoramiento de la rueda y tome medidas correctivas para eliminar dicha causa.

h) No reinicie la operación de corte en la pieza de trabajo. Deje que la rueda alcance su velocidad máxima y reente cuidadosamente en el corte. La rueda se puede atorar, desviar o experimentar retroceso si la herramienta mecánica es reanunciada en la pieza de trabajo.

i) Soporte los paneles o cualquier pieza de trabajo muy grande para minimizar el riesgo de pellizcamiento y retroceso de la rueda. Las piezas de trabajo grandes tienden a combarse bajo su propio peso. Se deben colocar soportes debajo de la pieza de trabajo cerca de la línea de corte y cerca del borde de la pieza de trabajo a ambos lados de la rueda.

j) Tenga precaución adicional cuando haga un "corte de bolsillo" en paredes existentes u otras áreas ciegas. La rueda que sobresale podría cortar tuberías de gas o agua, cables eléctricos u objetos que pueden causar retroceso.

Advertencias de seguridad específicas para operaciones de amolado y corte abrasivo:

a) Utilice solo los tipos de rueda que estén recomendados para su herramienta mecánica y el protector específico diseñado para la rueda seleccionada. Las ruedas para las cuales la herramienta mecánica no fue diseñada no se pueden proteger adecuadamente y son inseguras.

b) El protector se debe instalar firmemente en la herramienta mecánica y se debe posicionar de manera que

brinde la máxima seguridad, para que la cantidad de rueda que esté expuesta hacia el operador sea mínima. El protector ayuda a proteger al operador contra los fragmentos de rueda rota y el contacto accidental con la rueda.

c) Las ruedas se deben utilizar solamente para las aplicaciones recomendadas. Por ejemplo: no amuele con el lado de una rueda recortadora. Las ruedas recortadoras abrasivas están diseñadas para realizar amolado periférico; es posible que las fuerzas laterales aplicadas a estas ruedas hagan que se rompan en pedazos.

d) Utilice siempre pestañas de rueda que no estén dañadas y tengan el tamaño y la forma correctos para la rueda que usted seleccione. Las pestañas de rueda apropiadas soportan la rueda, con lo cual reducen la posibilidad de que la rueda se rompa. Es posible que las pestañas para las ruedas recortadoras sean diferentes a las pestañas para las ruedas de amolar.

e) No utilice ruedas desgastadas de herramientas mecánicas más grandes. Una rueda diseñada para una herramienta mecánica más grande no es adecuada para la velocidad más alta de una herramienta más pequeña y es posible que reviente.

Advertencias de seguridad adicionales específicas para las operaciones de corte abrasivo:

No intente cortar material grande ni láminas de metal, ya que esta máquina no está diseñada para ser una máquina de corte abrasivo dedicada.

No utilice ruedas abrasivas de tipo 1 diseñadas para amolado recto.

Advertencias de seguridad adicionales

Un GFCl y los dispositivos de protección personal, como guantes de goma y calzado de goma de electricista, mejorarán más su seguridad personal.

No use herramientas mecánicas con capacidad nominal solamente para CA con una fuente de energía de CC. Aunque pueda parecer que la herramienta funciona correctamente, es probable que los componentes eléctricos de la herramienta con capacidad nominal para CA fallen y creen un peligro para el operador.

Mantenga los mangos secos, limpios y libres de aceite y grasa. Las manos resbalosas no pueden controlar de modo seguro la herramienta mecánica.

Desarrolle un programa de mantenimiento periódico de la herramienta. Cuando limpie una herramienta, tenga cuidado de no desmontar ninguna de sus partes, ya que los cables internos podrían reubicarse incorrectamente o pellizcarse, o los resortes de retorno de los protectores de seguridad podrían montarse incorrectamente. Ciertos agentes de limpieza, tales como gasolina, tetracloruro de carbono, amoníaco, etc., podrían dañar las piezas de plástico.

Riesgo de lesiones para el usuario. El cordón de en-

ergía debe recibir servicio de ajustes y reparaciones solamente por un Centro de Servicio de Fábrica Bosch o una Estación de Servicio Bosch Autorizada.












⚠ ADVERTENCIA Cierta polvos generados por el lijado, aserrado, amolado y taladrado mecánicos, y por otras actividades de construcción, contiene agentes químicos que se sabe que causan cáncer, defectos de nacimiento u otros daños sobre la reproducción. Algunos ejemplos de estos agentes químicos son:

- Plomo de pinturas a base de plomo,
- Sílice cristalina de ladrillos y cemento y otros productos de mampostería, y
- Arsénico y cromo de madera tratada químicamente.

Su riesgo por causa de estas exposiciones varía, dependiendo de con cuánta frecuencia realice este tipo de trabajo. Para reducir su exposición a estos agentes químicos: trabaje en un área bien ventilada y trabaje con equipo de seguridad aprobado, como por ejemplo máscaras antipolvo que estén diseñadas especialmente para impedir mediante filtración el paso de partículas microscópicas.











Símbolos

IMPORTANTE: Es posible que algunos de los símbolos siguientes se usen en su herramienta. Por favor, estúdielos y aprenda su significado. La interpretación adecuada de estos símbolos le permitirá utilizar la herramienta mejor y con más seguridad.

Símbolo	Nombre	Designación/explicación
V	Volt	Tensión (potencial)
A	Ampere	Corriente
Hz	Hertz	Frecuencia (ciclos por segundo)
W	Watt	Potencia
kg	Kilogramo	Peso
min	Minuto	Tiempo
s	Segundo	Tiempo
∅	Diámetro	Tamaño de las brocas taladradoras, muelas, etc.
n_0	Velocidad sin carga	Velocidad rotacional sin carga
n	Velocidad nominal	Máxima velocidad obtenible
.../min	Revoluciones o alternación por minuto	Revoluciones, golpes, velocidad de superficie, órbitas, etc., por minuto
0	Posición "off" (apagado)	Velocidad cero, par motor cero...
1, 2, 3, ... I, II, III,	Graduaciones del selector	Graduaciones de velocidad, par motor o posición. Un número más alto significa mayor velocidad
	Selector infinitamente variable con apagado	La velocidad aumenta desde la graduación de 0
	Flecha	Acción en la dirección de la flecha
	Corriente alterna	Tipo o una característica de corriente
	Corriente continua	Tipo o una característica de corriente
	Corriente alterna o continua	Tipo o una característica de corriente
	Construcción de clase II	Designa las herramientas de construcción con aislamiento doble.
	Terminal de toma de tierra	Terminal de conexión a tierra
	Símbolo de advertencia	Alerta al usuario sobre mensajes de advertencia
	Sello RBRC de ion Li	Designa el programa de reciclaje de baterías de ion Li
	Sello RBRC de Ni-Cd	Designa el programa de reciclaje de baterías de Ni-Cd
	Símbolo de lectura del manual	Alerta al usuario para que lea el manual

Símbolos (continuación)

IMPORTANTE: Es posible que algunos de los símbolos siguientes se usen en su herramienta. Por favor, estúdielos y aprenda su significado. La interpretación adecuada de estos símbolos le permitirá utilizar la herramienta mejor y con más seguridad.

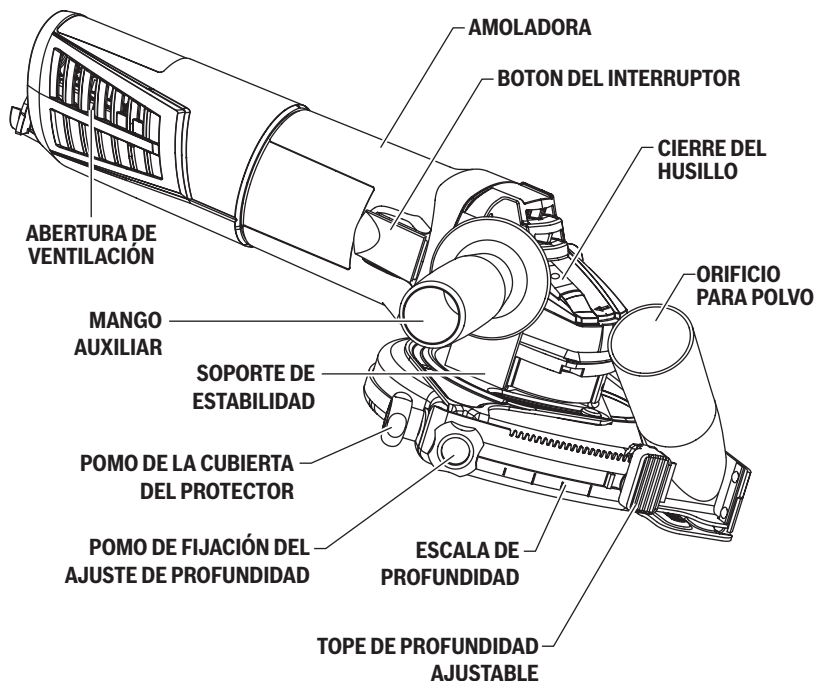
Símbolo	Nombre	Designación/explicación
	Símbolo de uso de protección de los ojos	Alerta al usuario para que use protección de los ojos
	Símbolo de protección de los ojos y los oídos	Alerta al usuario para que use protección ocular y de oídos
	Símbolo de protección ocular y respiratoria	Alerta al usuario para que use protección ocular y respiratoria
	Símbolo de protección ocular, de oídos y facial	Alerta al usuario para que use protección ocular, de oídos y respiratoria
	Símbolo de homologación por UL	Este símbolo indica que esta herramienta está catalogada por Underwriters Laboratories.
	Símbolo de reconocimiento por UL	Este símbolo indica que esta herramienta está reconocida por Underwriters Laboratories.
	Símbolo de homologación por UL EE.UU./Canadá	Este símbolo indica que Underwriters Laboratories ha catalogado esta herramienta indicando que cumple con las normas estadounidenses y canadienses.
	Símbolo de homologación por CSA	Este símbolo indica que esta herramienta está catalogada por la Canadian Standards Association.
	Símbolo de homologación por CSA Canadá/EE.UU.	Este símbolo indica que la Canadian Standards Association ha catalogado esta herramienta indicando que cumple con las normas estadounidenses y canadienses.
	Símbolo de homologación por Intertek	Este símbolo indica que Intertek Testing Services ha catalogado esta herramienta indicando que cumple con las normas estadounidenses y canadienses.

Descripción funcional y especificaciones

⚠ ADVERTENCIA Desconecte el enchufe de la fuente de energía antes de realizar cualquier ensamblaje o ajuste, o cambiar accesorios. Estas medidas de seguridad preventivas reducen el riesgo de arrancar la herramienta accidentalmente.

Rejuntadora

Fig. 1



Número de modelo:	GWS13-52TG
Ampere:	13.0
Voltios CA:	120
Velocidad nominal (RPM), /min:	9300
Rosca del husillo:	5/8"-11
Pestañas/Tuercas:	Pestaña de soporte 1600A002TP Tuerca de fijación 1600A002TR
Tipo de rueda y diámetro:	Rueda para rejuntar de 5 pulgadas (125 mm) Rueda recortadora de diamante de 5 pulgadas (125 mm) Rueda "persigue-grietas" de 5 pulgadas (125 mm)

NOTA: Para obtener las especificaciones de la herramienta, consulte la placa de especificaciones ubicada en su herramienta.

Instalación del protector para rejuntar

La herramienta viene con el protector para rejuntar completamente ensamblado. Sin embargo, si llegara a ser necesario hacer ajustes al protector, sigue estas instrucciones.

Para retirar el protector de la rueda:

1. Desenchufe la herramienta de la fuente de alimentación.
2. Desenrosque el mango auxiliar.
3. Rote el protector hasta que las flechas ubicadas en el protector y en el cuello del husillo estén alineadas.
4. Retire el protector del cuello del husillo.

Para reinstalar el protector (Fig. 2):

1. Desenchufe la herramienta de la fuente de alimentación.
2. Posicione el protector sobre el cuello del husillo de manera que las flechas ubicadas en el protector y en el cuello del husillo se alineen.
3. Deslice el protector sobre el cuello del husillo y rote el protector hasta que el soporte de estabilidad y el agujero para el mango auxiliar estén alineados.
4. Enrosque el mango auxiliar para sujetar firmemente el protector en la herramienta.
5. Posicione siempre el protector de la rueda entre el operador y la pieza de trabajo y dirija las chispas alejándolas del operador (Fig. 3).

Fig. 3

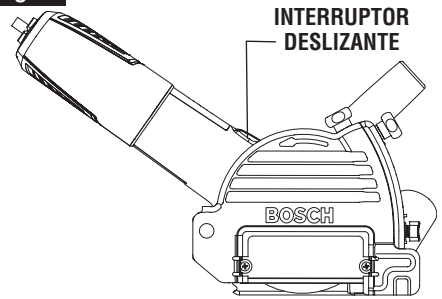
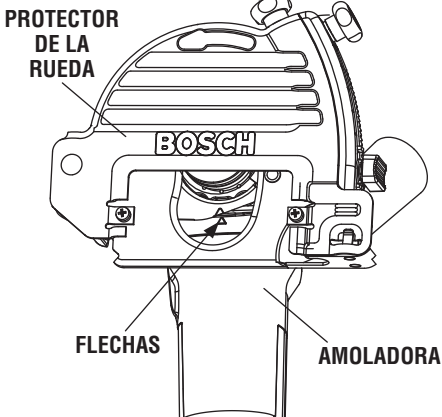


Fig. 2



Instalación y remoción de las ruedas

1. Afloje y quite el pomo de fijación de la cubierta del protector (Fig. 4).
2. Empuje la porción elevada de la cubierta del protector cerca del clip de fijación (Fig. 4) en el sentido de la flecha para desbloquear la cubierta del protector y bascule la cubierta para quitarla de en medio (Fig. 5).
3. Coloque la pestaña de soporte (suministrada junto con el protector) en el husillo (Fig. 5). Gire la pestaña hasta que esté firmemente sujeta en el lugar correcto de la base del husillo.
4. Coloque la rueda en el husillo y alinee el agujero de la rueda para el eje portaherramienta con el resalto de la tuerca de fijación (suministrada junto con el protector).

5. Apriete la tuerca de fijación con la llave de tuercas de fijación suministrada, mientras sujeta el cierre del husillo.
6. Retorne la cubierta del protector de vuelta a su posición original y empuje hacia adentro el clip de fijación para sujetar firmemente en su sitio la cubierta del protector (Fig. 4).
7. Vuelva a colocar el pomo de la cubierta del protector y apriete firmemente el pomo (Fig. 4).

Para realizar la remoción, invierta el procedimiento.

Fig. 4

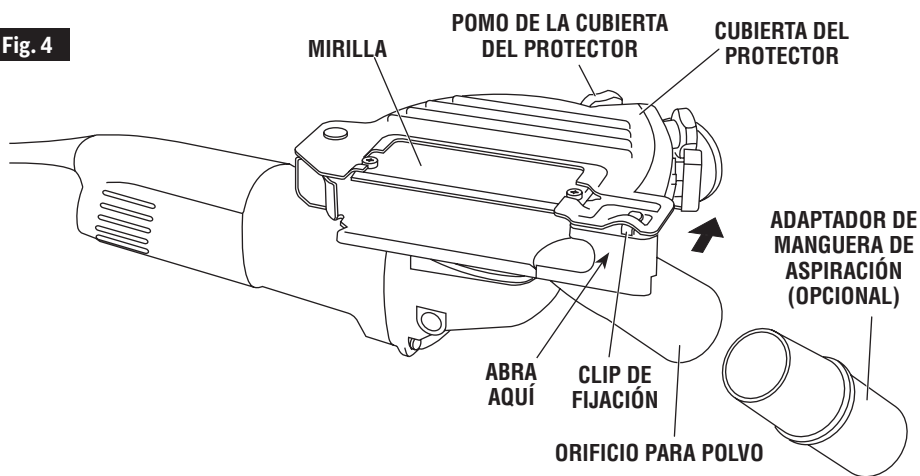
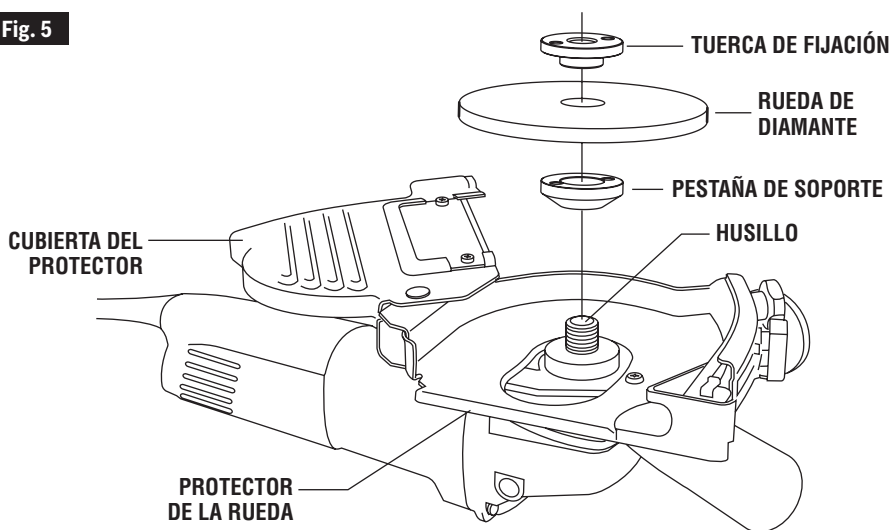


Fig. 5



Instrucciones de funcionamiento

Tope de profundidad ajustable

La herramienta está equipada con un tope ajustable. La profundidad de corte puede preajustarse y/o repetirse usando el tope de profundidad (Fig. 1).

1. Afloje el pomo de fijación del tope de profundidad.
2. Presione el botón del tope de profundidad ajustable, mueva el tope hasta la posición deseada en el soporte de profundidad y suelte el botón para sujetar firmemente el tope en la posición deseada.
3. Coloque el pie contra la pieza de trabajo y empuje hacia abajo sobre la herramienta hasta que se detenga.
4. Para sujetar firmemente y mantener el ensamblaje del pie y del protector a la profundidad de corte deseada, mueva el pie hasta la profundidad de corte deseada y apriete firmemente el pomo de fijación del tope de profundidad.

Protector para rejuntar

⚠ ADVERTENCIA El protector para rejuntar cuando se utilicen ruedas abrasivas, incluyendo ruedas de diamante. Mantenga siempre el protector entre usted y la pieza de trabajo mientras está utilizando esta herramienta.

Posicione el protector de manera que el orificio para polvo no interfiera con el interruptor de encendido y apagado.

La GWS13-52TG solo se puede utilizar con el protector para rejuntar suministrado.

Interruptor corredizo “on/off” (de encendido y apagado) con cierre

⚠ ADVERTENCIA Agarre la herramienta con las dos manos cuando arranque la herramienta, ya que el par de fuerzas del motor puede hacer que la herramienta se tuerza.

La herramienta se enciende con el botón del interruptor ubicado en un lado de la caja del motor. El interruptor se puede fijar en la posición “ON” (encendido), lo cual resulta práctico al realizar operaciones prolongadas de amolado.

Para encender la herramienta (posición “ON”) sin dejarla fija, deslice el botón de interruptor hacia adelante ejerciendo presión ÚNICAMENTE sobre la parte de ATRAS del botón. Al soltar completamente el botón del interruptor, éste volverá a la posición “OFF”.

PARA FIJAR EL INTERRUPTOR EN LA POSICIÓN “ON”, deslice el botón del interruptor hacia adelante y OPRIMA la parte DELANTERA.

PARA DESBLOQUEAR EL INTERRUPTOR, simplemente oprima y suelte la parte de ATRAS del botón. El interruptor está accionado por resorte y saltará de vuelta automáticamente.

Arranque la herramienta antes de aplicarla a la pieza de

trabajo y deje que alcance la velocidad máxima antes de contactar la pieza de trabajo. Levante la herramienta de la pieza de trabajo antes de soltar el interruptor. NO ponga el interruptor en la posición de encendido y apagado mientras la herramienta está sometida a carga; esto acortará enormemente la vida del interruptor.

Extracción de polvo

⚠ ADVERTENCIA Esta herramienta sólo se debe usar con un sistema de extracción de polvo. Use siempre una máscara antipolvo aprobada.

La herramienta está equipada con un orificio para polvo con el fin de extraer el polvo. Para utilizar este dispositivo, introduzca el adaptador en el orificio para polvo (Fig. 2), introduzca luego una manguera de aspiración (accesorio opcional) en el adaptador y conecte el extremo opuesto de la manguera a una aspiradora de taller.

Asegúrese siempre de que la aspiradora que utilice esté diseñada para la extracción de polvo de mampostería.

Mango auxiliar

El mango auxiliar, utilizado para guiar y equilibrar la herramienta, puede sujetarse con pernos en cualquiera de los lados de la carcasa del husillo según la preferencia personal y la comodidad del usuario. Utilice siempre el mango auxiliar para lograr un control máximo y un manejo fácil.

Rejuntado

Esta herramienta está diseñada para utilizarse como rejuntadora. Se utiliza para quitar juntas de mortero que se estén deteriorando, con el fin de poder reemplazarlas con mortero fresco.

Para obtener los mejores resultados de rejuntado, utilice una rueda segmentada de diamante de corte en seco de 1/4” de grosor.

Utilice el tope de profundidad ajustable para obtener la profundidad deseada de remoción de mortero. La rejuntadora se agarra con la ventana del protector orientada hacia arriba para que el usuario pueda ver fácilmente la junta durante la operación.

Deje que la herramienta alcance toda su velocidad antes de aplicarla a la superficie de la pieza de trabajo.

Sujete la herramienta con las dos manos y aplique la rueda abrasiva a la superficie del mortero.

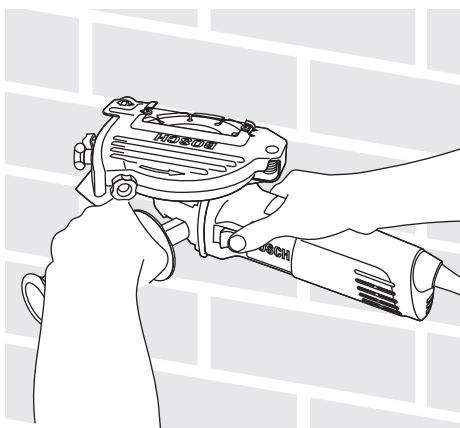
Ruedas de diamante

⚠ ADVERTENCIA No use agua cuando corte con esta herramienta. La herramienta no está diseñada para cortar con agua y si se usa agua podría ocurrir una descarga eléctrica.

⚠ PRECAUCION Si esta rejuntadora se está utilizando como una

máquina de corte abrasivo pequeña, la herramienta sólo está aprobada para cortar o estriar productos de mampostería como:

Fig. 6



Concreto, bloques de ceniza, ladrillos y piedra.

Utilice ruedas de diamante de corte en seco Tipo 41/1A para cortar mampostería y concreto. Las ruedas de diamante de corte en seco permanecen más frías, se obstruyen menos y duran más.

1. Antes de hacer funcionar una máquina de rueda abrasiva, inspeccione la rueda de corte para ver si tiene astillas o grietas. Cambie inmediatamente las ruedas en mal estado. Las ruedas nuevas se deben hacer funcionar sin carga para asentarse durante por lo menos un minuto en una dirección que se aleje de la presencia de otras personas. Normalmente, las ruedas imperfectas se romperán durante este período.
2. Una máquina de corte abrasivo no se debe utilizar NUNCA sin tener instalado el protector de manera segura en su sitio. El protector debe estar girado hasta la posición en la que se proporciona máxima protección al operador contra las chispas y la periferia de la rueda.
3. La indumentaria apropiada para utilizar la herramienta incluye protección de los ojos, guantes de cuero y máscara antipolvo.
4. Con la herramienta apagada, familiarícese con el manejo de la misma. Controle la cabeza de la herramienta con el mango lateral. Controle el borde de corte de la rueda con el mango del interruptor. Use siempre las dos manos cuando utilice la herramienta.
5. Nunca deje caer la herramienta. Apóyela suavemente, pero nunca sobre la rueda.
6. Al CORTAR CONCRETO se lanzarán grandes cantidades de polvo al área circundante. Se requieren máscaras protectoras antipolvo para brindar protección respiratoria al operador y a otros trabajadores

que estén cerca.

7. No se recomienda utilizar esta herramienta por encima de la cabeza ni en cualquier posición que no permitiría un control apropiado. Las escaleras de mano no se consideran estructuras de soporte sólidas.
8. Evite sobrecargar la herramienta. No deje que la rueda se atasque ni se detenga. Muchos cortes, especialmente en concreto macizo, requieren pasadas sucesivas. No deje al descubierto más cantidad de rueda abrasiva de la que sea necesaria para cortar ejerciendo una cantidad normal de presión sobre la herramienta. Comience a cortar desde el borde del material, sumergiéndose solo hasta la profundidad de un segmento de la rueda de diamante. Si se corta demasiado profundamente de una vez, no se deja que el polvo se despeje completamente y se erosiona/adelgaza el cuerpo de la rueda. No fuerce la herramienta; sométala a carga normalmente. Dependiendo de la dureza y la densidad del material, haga pasadas sucesivamente más profundas hasta que se complete el corte.

Circuitería de respuesta constante

El sistema electrónico interno de retroalimentación proporciona un "arranque suave" que reducirá las tensiones que se producen como consecuencia de un arranque de par motor alto. El sistema también ayuda a mantener la velocidad sin carga prácticamente constante entre la situación sin carga y la situación con carga.

Protección contra sobrecarga

La herramienta está equipada con protección contra sobrecarga para proteger el motor. Si la herramienta se detiene durante el funcionamiento, APAGUE EL INTERRUPTOR INMEDIATAMENTE y deje que el motor se enfríe durante unos 30 segundos haciendo que funcione sin carga. Si la protección contra sobrecarga detiene repetidamente la herramienta, la fuerza excesiva está haciendo que la herramienta se sobrecargue. No presione con tanta fuerza y deje que la herramienta haga el trabajo.

Mantenimiento

Servicio

⚠ ADVERTENCIA El mantenimiento preventivo realizado por personal no autorizado puede dar lugar a la colocación incorrecta de cables y componentes internos que podría constituir un peligro serio. Recomendamos que todo el servicio de las herramientas sea realizado en un Centro de servicio de fábrica Bosch o en una Estación de servicio Bosch autorizada.

Lubricación de las herramientas

Su herramienta Bosch ha sido lubricada adecuadamente y está lista para la utilización. Se recomienda que las herramientas con engranajes se vuelvan a engrasar con un lubricante especial para engranajes en cada cambio de escobillas.

Escobillas de carbono

Las escobillas y el conmutador de su herramienta se han diseñado para ofrecer muchas horas de servicio confiable. Para mantener una eficacia pico del motor, recomendamos que las escobillas se examinen cada dos a seis meses. Solo se deberán utilizar escobillas de repuesto Bosch genuinas diseñadas especialmente para su herramienta.

Rodamientos

Después de aproximadamente 300-400 horas de utilización o en cada segundo cambio de escobillas, los

rodamientos deberán ser reemplazados en un Centro de Servicio de Fábrica Bosch o una Estación de Servicio Bosch Autorizada. Los rodamientos que se vuelvan ruidosos (debido a una carga pesada o al corte de material muy abrasivo) deberán ser reemplazados de inmediato para evitar el sobrecalentamiento o la falla del motor.

Limpieza

⚠ ADVERTENCIA Para evitar accidentes, desconecte siempre la herramienta de la fuente de energía antes de realizar limpieza o efectuar cualquier mantenimiento.

Las aberturas de ventilación y las palancas de interruptor deben mantenerse limpias y libres de materias extrañas. No intente limpiar introduciendo objetos puntiagudos a través de las aberturas.

⚠ PRECAUCIÓN Ciertos agentes de limpieza y disolventes dañan las piezas de plástico. Algunos de estos son: gasolina, tetracloruro de carbono, disolventes de limpieza clorados, amoníaco y detergentes domésticos que contienen amoníaco.

Escobillas service minder™

Eliminan las dudas y paran la herramienta cuando se necesita realizar mantenimiento preventivo.

Accesorios

⚠ ADVERTENCIA Si es necesario un cordón de extensión, se debe usar un cordón con conductores de tamaño adecuado que sea capaz de transportar la corriente necesaria para la herramienta. Esto evitará caídas de tensión excesivas, pérdida de potencia o recalentamiento. Las herramientas conectadas a tierra deben

usar cordones de extensión de 3 hilos que tengan enchufes de 3 terminales y receptáculos para 3 terminales.

NOTA: Cuanto más pequeño es el número de calibre, más grueso es el cordón.

TAMAÑOS RECOMENDADOS DE CORDONES DE EXTENSION HERRAMIENTAS DE CORRIENTE ALTERNA DE 120 V

Capacidad nominal en amperes de la herramienta	Longitud del cordón en pies				Longitud del cordón en metros			
	25	50	100	150	15	30	60	120
	Tamaño del cordón en A.W.G.				Tamaños del cable en mm ²			
3-6	18	16	16	14	.75	.75	1.5	2.5
6-8	18	16	14	12	.75	1.0	2.5	4.0
8-10	18	16	14	12	.75	1.0	2.5	4.0
10-12	16	16	14	12	1.0	2.5	4.0	—
12-16	14	12	—	—	—	—	—	—

Notes:

Remarques :

Notas:

LIMITED WARRANTY OF BOSCH PORTABLE AND BENCHTOP POWER TOOLS

Robert Bosch Tool Corporation ("Seller") warrants to the original purchaser only, that all BOSCH portable and benchtop power tools will be free from defects in material or workmanship for a period of one year from date of purchase. SELLER'S SOLE OBLIGATION AND YOUR EXCLUSIVE REMEDY under this Limited Warranty and, to the extent permitted by law, any warranty or condition implied by law, shall be the repair or replacement of parts, without charge, which are defective in material or workmanship and which have not been misused, carelessly handled, or misrepaired by persons other than Seller or Authorized Service Station. To make a claim under this Limited Warranty, you must return the complete portable or benchtop power tool product, transportation prepaid, to any BOSCH Factory Service Center or Authorized Service Station. For Authorized BOSCH Power Tool Service Stations, please refer to your phone directory.

THIS LIMITED WARRANTY DOES NOT APPLY TO ACCESSORY ITEMS SUCH AS CIRCULAR SAW BLADES, DRILL BITS, ROUTER BITS, JIGSAW BLADES, SANDING BELTS, GRINDING WHEELS AND OTHER RELATED ITEMS.

ANY IMPLIED WARRANTIES SHALL BE LIMITED IN DURATION TO ONE YEAR FROM DATE OF PURCHASE. SOME STATES IN THE U.S., SOME CANADIAN PROVINCES DO NOT ALLOW LIMITATIONS ON HOW LONG AN IMPLIED WARRANTY LASTS, SO THE ABOVE LIMITATION MAY NOT APPLY TO YOU.

IN NO EVENT SHALL SELLER BE LIABLE FOR ANY INCIDENTAL OR CONSEQUENTIAL DAMAGES (INCLUDING BUT NOT LIMITED TO LIABILITY FOR LOSS OF PROFITS) ARISING FROM THE SALE OR USE OF THIS PRODUCT. SOME STATES IN THE U.S. AND SOME CANADIAN PROVINCES DO NOT ALLOW THE EXCLUSION OR LIMITATION OF INCIDENTAL OR CONSEQUENTIAL DAMAGES, SO THE ABOVE LIMITATION OR EXCLUSION MAY NOT APPLY TO YOU.

THIS LIMITED WARRANTY GIVES YOU SPECIFIC LEGAL RIGHTS, AND YOU MAY ALSO HAVE OTHER RIGHTS WHICH VARY FROM STATE TO STATE IN THE U.S., PROVINCE TO PROVINCE IN CANADA AND FROM COUNTRY TO COUNTRY.

THIS LIMITED WARRANTY APPLIES ONLY TO PORTABLE AND BENCHTOP ELECTRIC TOOLS SOLD WITHIN THE UNITED STATES OF AMERICA, CANADA AND THE COMMONWEALTH OF PUERTO RICO. FOR WARRANTY COVERAGE WITHIN OTHER COUNTRIES, CONTACT YOUR LOCAL BOSCH DEALER OR IMPORTER.

GARANTIE LIMITÉE DES OUTILS ÉLECTRIQUES PORTATIFS ET D'ÉTABLI BOSCH

Robert Bosch Tool Corporation (le « vendeur ») garantit à l'acheteur initial seulement que tous les outils électriques portatifs et d'établi BOSCH seront exempts de vices de matériaux ou d'exécution pendant une période d'un an depuis la date d'achat. LA SEULE OBLIGATION DU VENDEUR ET LE SEUL RECOURS DE L'ACHETEUR sous la présente garantie limitée, et en autant que la loi le permette sous toute garantie ou condition implicite qui en découlerait, sera l'obligation de remplacer ou réparer gratuitement les pièces défectueuses matériellement ou comme fabrication, pourvu que lesdites défectuosités ne soient pas attribuables à un usage abusif ou à quelque réparation bricolée par quelqu'un d'autre que le vendeur ou le personnel d'une station-service agréée. Pour présenter une réclamation en vertu de cette garantie limitée, vous devez renvoyer l'outil électrique portatif ou d'établi complet, port payé, à tout centre de service agréé ou centre de service usine. Veuillez consulter votre annuaire téléphonique pour les adresses.

LA PRÉSENTE GARANTIE NE S'APPLIQUE PAS AUX ACCESSOIRES TELS QUE LAMES DE SCIES CIRCULAIRES, MÊCHES DE PERCEUSES, FERS DE TOUPIES, LAMES DE SCIES SAUTEUSES, COURROIES DE PONÇAGE, MEULES ET AUTRES ARTICLES DU GENRE.

TOUTE GARANTIE IMPLICITE SERA LIMITÉE COMME DURÉE À UN AN À COMPTER DE LA DATE D'ACHAT. CERTAINS ÉTATS AMÉRICAINS, CERTAINES PROVINCES CANADIENNES N'ADMETTANT PAS LE PRINCIPE DE LA LIMITATION DE LA DURÉE DES GARANTIES IMPLICITES, IL EST POSSIBLE QUE LES LIMITATIONS CI-DESSUS NE S'APPLIQUENT PAS À VOTRE CAS.

EN AUCUN CAS LE VENDEUR NE SAURAIT ÊTRE TENU POUR RESPONSABLE DES INCIDENTS OU DOMMAGES INDIRECTS (INCLUANT, MAIS NE SE LIMITANT PAS AUX PERTES DE PROFITS) CONSÉCUTIFS À LA VENTE OU L'USAGE DE CE PRODUIT. CERTAINS ÉTATS AMÉRICAINS ET CERTAINES PROVINCES CANADIENNES N'ADMETTANT PAS LE PRINCIPE DE LA LIMITATION NI L'EXCLUSION DES DOMMAGES INDIRECTS ET CONSÉQUENTIELS, IL EST POSSIBLE QUE LES LIMITATIONS OU EXCLUSIONS CI-DESSUS NE S'APPLIQUENT PAS À VOTRE CAS.

LA PRÉSENTE GARANTIE VOUS ACCORDE DES DROITS BIEN DÉTERMINÉS, Y COMPRIS POSSIBLEMENT CERTAINS DROITS VARIABLES DANS LES DIFFÉRENTS ÉTATS AMÉRICAINS, PROVINCES CANADIENNES ET DE PAYS À PAYS.

CETTE GARANTIE LIMITÉE NE S'APPLIQUE QU'ÀUX OUTILS ÉLECTRIQUES PORTATIFS ET D'ÉTABLI VENDUS AUX ÉTATS-UNIS D'AMÉRIQUE, AU CANADA ET AU COMMONWEALTH DE PORTO RICO. POUR COUVERTURE DE GARANTIE DANS LES AUTRES PAYS, CONTACTEZ VOTRE IMPORTATEUR OU REVENDEUR BOSCH LOCAL.

GARANTIA LIMITADA PARA HERRAMIENTAS MECANICAS PORTATILES Y PARA TABLERO DE BANCO BOSCH

Robert Bosch Tool Corporation ("el Vendedor") garantiza, únicamente al comprador original, que todas las herramientas mecánicas portátiles y para tablero de banco BOSCH estarán libres de defectos de material o de fabricación durante un periodo de un año a partir de la fecha de compra. LA ÚNICA OBLIGACION DEL VENDEADOR Y EL RECURSO EXCLUSIVO QUE USTED TIENE bajo esta Garantía Limitada y, hasta donde la ley lo permita, bajo cualquier garantía o condición implícita por ley, consistirá en la reparación o sustitución sin costo de las piezas que presenten defectos de material o de fabricación y que no hayan sido utilizadas incorrectamente, manejadas descuidadamente o reparadas incorrectamente por personas que no sean el Vendedor o una Estación de servicio autorizada. Para efectuar una reclamación bajo esta Garantía Limitada, usted debe devolver el producto, que consiste en la herramienta mecánica portátil o para tablero de banco completa, con el transporte prepago, a cualquier Centro de servicio de fábrica o Estación de servicio autorizada BOSCH. Para Estaciones de servicio autorizadas de herramientas mecánicas BOSCH, por favor, consulte el directorio telefónico.

ESTA GARANTIA LIMITADA NO SE APLICA A ARTICULOS ACCESORIOS TALES COMO HOJAS PARA SIERRAS CIRCULARES, BROCAS PARA TALADROS, BROCAS PARA FRESADORAS, HOJAS PARA SIERRAS DE VAIVEN, CORREAS PARA LUJAR, RUEDAS DE AMOLAR Y OTROS ARTICULOS RELACIONADOS.

TODAS LAS GARANTIAS IMPLICITAS TENDRAN UNA DURACION LIMITADA A UN AÑO A PARTIR DE LA FECHA DE COMPRA. ALGUNOS ESTADOS DE LOS EE.UU. Y ALGUNAS PROVINCIAS CANADIENSES NO PERMITEN LIMITACIONES EN CUANTO A LA DURACION DE UNA GARANTIA IMPLICITA, POR LO QUE ES POSIBLE QUE LA LIMITACION ANTERIOR NO SEA APLICABLE EN EL CASO DE USTED.

EL VENDEADOR NO SERA RESPONSABLE EN NINGUN CASO DE NINGUN DAÑO INCIDENTAL O EMERGENTE (INCLUYENDO PERO NO LIMITADO A RESPONSABILIDAD POR PERDIDA DE BENEFICIOS) QUE SE PRODUZCA COMO CONSECUENCIA DE LA VENTA O UTILIZACION DE ESTE PRODUCTO. ALGUNOS ESTADOS DE LOS EE.UU. Y ALGUNAS PROVINCIAS CANADIENSES NO PERMITEN LA EXCLUSION O LIMITACION DE LOS DAÑOS INCIDENTALES O EMERGENTES, POR LO QUE ES POSIBLE QUE LA LIMITACION O EXCLUSION ANTERIOR NO SEA APLICABLE EN EL CASO DE USTED.

ESTA GARANTIA LIMITADA LE CONFIERE A USTED DERECHOS LEGALES ESPECIFICOS Y ES POSIBLE QUE USTED TAMBIEN TENGA OTROS DERECHOS QUE VARIAN DE ESTADO A ESTADO EN LOS EE.UU., DE PROVINCIA A PROVINCIA EN CANADA Y DE UN PAIS A OTRO.

ESTA GARANTIA LIMITADA SE APLICA SOLAMENTE A HERRAMIENTAS ELECTRICAS PORTATILES Y PARA TABLERO DE BANCO VENDIDAS EN LOS ESTADOS UNIDOS DE AMERICA, CANADA Y EL ESTADO LIBRE ASOCIADO DE PUERTO RICO. PARA COBERTURA DE GARANTIA EN OTROS PAISES, PONGASE EN CONTACTO CON SU DISTRIBUIDOR O IMPORTADOR LOCAL DE BOSCH.

© Robert Bosch Tool Corporation 1800 W. Central Road Mt. Prospect, IL 60056-2230
Exportado por: Robert Bosch Tool Corporation Mt. Prospect, IL 60056-2230, E.U.A.
Importado a México por: Robert Bosch, S.A. de C.V., Calle Robert Bosch No. 405, Zona Industrial, Toluca, Edo. de México, C.P. 50070, Tel. (722) 2792300

160992A6BN 03/21



1 6 0 9 9 2 A 6 B N