

IMPORTANT:
Read Before Using

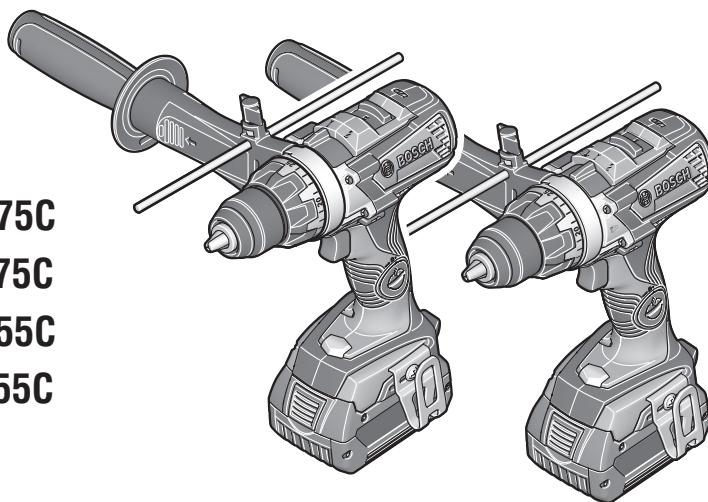
IMPORTANT :
Lire avant usage

IMPORTANTE:
Leer antes de usar



Operating/Safety Instructions
Consignes de fonctionnement/sécurité
Instrucciones de funcionamiento y seguridad

GSR18V-975C
GSB18V-975C
GSR18V-755C
GSB18V-755C



BOSCH

Call Toll Free for
Consumer Information
& Service Locations

Pour obtenir des informations
et les adresses de nos centres
de service après-vente,
appelez ce numéro gratuit

Llame gratis para
obtener información
para el consumidor y
ubicaciones de servicio

1-877-BOSCH99 (1-877-267-2499) www.boschtools.com





For English Version
See page 2

Version française
Voir page 22

Versión en español
Ver la página 43

Safety Symbols

The definitions below describe the level of severity for each signal word. Please read the manual and pay attention to these symbols.

	This is the safety alert symbol. It is used to alert you to potential personal injury hazards. Obey all safety messages that follow this symbol to avoid possible injury or death.
	DANGER indicates a hazardous situation which, if not avoided, will result in death or serious injury.
	WARNING indicates a hazardous situation which, if not avoided, could result in death or serious injury.
	CAUTION, used with the safety alert symbol, indicates a hazardous situation which, if not avoided, will result in minor or moderate injury.

General Power Tool Safety Warnings

WARNING Read all safety warnings, instructions, illustrations and specifications provided with this power tool. Failure to follow all instructions listed below may result in electric shock, fire and/or serious injury.

SAVE ALL WARNINGS AND INSTRUCTIONS FOR FUTURE REFERENCE

The term “power tool” in the warnings refers to your mains-operated (corded) power tool or battery-operated (cordless) power tool.

1. Work area safety

- Keep work area clean and well lit.** Cluttered or dark areas invite accidents.
- Do not operate power tools in explosive atmospheres, such as in the presence of flammable liquids, gases or dust.** Power tools create sparks which may ignite the dust or fumes.
- Keep children and bystanders away while operating a power tool.** Distractions can cause you to lose control.

2. Electrical safety

- Power tool plugs must match the outlet. Never modify the plug in any way. Do not use any adapter plugs with earthed (grounded) power tools.** Unmodified plugs and matching outlets will reduce risk of electric shock.
- Avoid body contact with earthed or grounded surfaces, such as pipes, radiators, ranges and refrigerators.** There is an increased risk of electric shock if your body is earthed or grounded.

- Do not expose power tools to rain or wet conditions.** Water entering a power tool will increase the risk of electric shock.
- Do not abuse the cord. Never use the cord for carrying, pulling or unplugging the power tool. Keep cord away from heat, oil, sharp edges or moving parts.** Damaged or entangled cords increase the risk of electric shock.
- When operating a power tool outdoors, use an extension cord suitable for outdoor use.** Use of a cord suitable for outdoor use reduces the risk of electric shock.
- If operating a power tool in a damp location is unavoidable, use a Ground Fault Circuit Interrupter (GFCI) protected supply.** Use of an GFCI reduces the risk of electric shock.

3. Personal safety

- Stay alert, watch what you are doing and use common sense when operating a power tool. Do not use a power tool while you are tired or under the influence of drugs, alcohol or medication.** A moment of inattention while operating power tools may result in serious personal injury.

- b. **Use personal protective equipment. Always wear eye protection.** Protective equipment such as a dust mask, non-skid safety shoes, hard hat, or hearing protection used for appropriate conditions will reduce personal injuries.
 - c. **Prevent unintentional starting. Ensure the switch is in the off-position before connecting to power source and / or battery pack, picking up or carrying the tool.** Carrying power tools with your finger on the switch or energizing power tools that have the switch on invites accidents.
 - d. **Remove any adjusting key or wrench before turning the power tool on.** A wrench or a key left attached to a rotating part of the power tool may result in personal injury.
 - e. **Do not overreach. Keep proper footing and balance at all times.** This enables better control of the power tool in unexpected situations.
 - f. **Dress properly. Do not wear loose clothing or jewelry. Keep your hair and clothing away from moving parts.** Loose clothes, jewelry or long hair can be caught in moving parts.
 - g. **If devices are provided for the connection of dust extraction and collection facilities, ensure these are connected and properly used.** Use of dust collection can reduce dust-related hazards.
 - h. **Do not let familiarity gained from frequent use of tools allow you to become complacent and ignore tool safety principles.** A careless action can cause severe injury within a fraction of a second.
- with the power tool or these instructions to operate the power tool.** Power tools are dangerous in the hands of untrained users.
- e. **Maintain power tools and accessories. Check for misalignment or binding of moving parts, breakage of parts and any other condition that may affect the power tool's operation. If damaged, have the power tool repaired before use.** Many accidents are caused by poorly maintained power tools.
 - f. **Keep cutting tools sharp and clean.** Properly maintained cutting tools with sharp cutting edges are less likely to bind and are easier to control.
 - g. **Use the power tool, accessories and tool bits etc. in accordance with these instructions, taking into account the working conditions and the work to be performed.** Use of the power tool for operations different from those intended could result in a hazardous situation.
 - h. **Keep handles and grasping surfaces dry, clean and free from oil and grease.** Slippery handles and grasping surfaces do not allow for safe handling and control of the tool in unexpected situations.

4. Power tool use and care

- a. **Do not force the power tool. Use the correct power tool for your application.** The correct power tool will do the job better and safer at the rate for which it was designed.
- b. **Do not use the power tool if the switch does not turn it on and off.** Any power tool that cannot be controlled with the switch is dangerous and must be repaired.
- c. **Disconnect the plug from the power source and/or remove the battery pack, if detachable, from the power tool before making any adjustments, changing accessories, or storing power tools.** Such preventive safety measures reduce the risk of starting the power tool accidentally.
- d. **Store idle power tools out of the reach of children and do not allow persons unfamiliar**

5. Battery tool use and care

- a. **Recharge only with the charger specified by the manufacturer.** A charger that is suitable for one type of battery pack may create a risk of fire when used with another battery pack.
- b. **Use power tools only with specifically designated battery packs.** Use of any other battery packs may create a risk of injury and fire.
- c. **When battery pack is not in use, keep it away from other metal objects like paper clips, coins, keys, nails, screws, or other small metal objects that can make a connection from one terminal to another.** Shorting the battery terminals together may cause burns or a fire.
- d. **Under abusive conditions, liquid may be ejected from the battery, avoid contact. If contact accidentally occurs, flush with water. If liquid contacts eyes, additionally seek medical help.** Liquid ejected from the battery may cause irritation or burns.
- e. **Do not use a battery pack or tool that is damaged or modified.** Damaged or modified batteries may exhibit unpredictable behavior resulting in fire, explosion or risk of injury.

- f. **Do not expose a battery pack or tool to fire or excessive temperature.** Exposure to fire or temperature above 265 °F may cause explosion.
- g. **Follow all charging instructions and do not charge the battery pack or tool outside the temperature range specified in the instructions.** Charging improperly or at temperatures outside the specified range may damage the battery and increase the risk of fire.

6. Service

- a. **Have your power tool serviced by a qualified repair person using only identical replacement parts.** This will ensure that the safety of the power tool is maintained.
- b. **Never service damaged battery packs.** Service of battery packs should only be performed by the manufacturer or authorized service providers.

Safety Rules for Cordless Drill/Drivers

- a. **Wear ear protectors when impact drilling.** Exposure to noise can cause hearing loss.
- b. **Use the auxiliary handle(s).** Loss of control can cause personal injury.
- c. **Hold the power tool by insulated gripping surfaces, when performing an operation where the cutting accessory or fasteners may contact hidden wiring.** Cutting accessory or fasteners contacting a "live" wire may make exposed metal parts of the power tool "live" and could give the operator an electric shock.
- d. **Use clamps or another practical way to secure and support the workpiece to a stable platform.** Holding the work by hand or against your body leaves it unstable and may lead to loss of control.
- e. **Do not drill, fasten or break into existing walls or other blind areas where electrical wiring may exist.** If this situation is unavoidable, disconnect all fuses or circuit breakers feeding this worksite.
- f. **Always wear safety goggles or eye protection when using this tool. Use a dust mask or respirator for applications which generate dust.**
- g. **Use thick cushioned gloves and limit the exposure time by taking frequent rest periods.** Vibration caused by hammer-drill action may be harmful to your hands and arms.
- h. **Secure the material being drilled. Never hold it in your hand or across legs.** Unstable support can cause the drill bit to bind causing loss of control and injury.
- i. **Disconnect battery pack from tool before making any assembly, adjustments or changing accessories.** Such preventive safety measures reduce the risk of starting the tool accidentally.
- j. **Position yourself to avoid being caught between the tool or side handle and walls or posts.** Should the bit become bound or jammed in the work, the reaction torque of the tool could crush your hand or leg.
- k. **If the bit becomes bound in the workpiece, release the trigger immediately, reverse the direction of rotation and slowly squeeze the trigger to back out the bit.** Be ready for a strong reaction torque. The drill body will tend to twist in the opposite direction as the drill bit is rotating.
- l. **Do not grasp the tool or place your hands too close to the spinning chuck or drill bit.** Your hand may be lacerated.
- m. **When installing a drill bit, insert the shank of the bit well within the jaws of the chuck.** If the bit is not inserted deep enough, the grip of the jaws over the bit is reduced and the loss of control is increased.
- n. **Do not use dull or damaged bits and accessories.** Dull or damaged bits have a greater tendency to bind in the workpiece.
- o. **When removing the bit from the tool avoid contact with skin and use proper protective gloves when grasping the bit or accessory.** Accessories may be hot after prolonged use.
- p. **Check to see that keys and adjusting wrenches are removed from the drill before switching the tool "ON".** Keys or wrenches can fly away at high velocity striking you or a bystander.
- q. **Do not run the tool while carrying it at your side.** A spinning drill bit could become entangled with clothing and injury may result.

Safety instructions when using long drill bits

- a) **Never operate at higher speed than the maximum speed rating of the drill bit.** At higher speeds, the bit is likely to bend if allowed to rotate freely without contacting the workpiece, resulting in personal injury.
- b) **Always start drilling at low speed and with the bit tip in contact with the workpiece.** At higher speeds, the bit is likely to bend if allowed to rotate freely without contacting the workpiece, resulting in personal injury.
- c) **Apply pressure only in direct line with the bit and do not apply excessive pressure.** Bits can bend causing breakage or loss of control, resulting in personal injury.

Additional Safety Warnings

GFCI and personal protection devices like electrician's rubber gloves and footwear will further enhance your personal safety.

Do not use AC only rated tools with a DC power supply. While the tool may appear to work, the electrical components of the AC rated tool are likely to fail and create a hazard to the operator.

Keep handles dry, clean and free from oil and grease. Slippery hands cannot safely control the power tool.

Develop a periodic maintenance schedule for your tool. When cleaning a tool be careful not to disassemble any portion of the tool since internal wires may be misplaced or pinched or safety guard return springs may be improperly mounted. Certain cleaning agents such as gasoline, carbon tetrachloride, ammonia, etc. may damage plastic parts.

Ensure the switch is in the off position before inserting battery pack. Inserting the battery pack into power tools that have the switch on invites accidents.

⚠ WARNING Some dust created by power sanding, sawing, grinding, drilling, and other construction activities contains chemicals known to cause cancer, birth defects or other reproductive harm. Some examples of these chemicals are:








- Lead from lead-based paints,
- Crystalline silica from bricks and cement and other masonry products, and
- Arsenic and chromium from chemically-treated lumber.

Your risk from these exposures varies, depending on how often you do this type of work. To reduce your exposure to these chemicals: work in a well ventilated area, and work with approved safety equipment, such as those dust masks that are specially designed to filter out microscopic particles.

Before using battery charger, read all instructions and cautionary markings on (1) battery charger, (2) battery pack, and (3) product using battery.








Symbols

Important: Some of the following symbols may be used on your tool. Please study them and learn their meaning. Proper interpretation of these symbols will allow you to operate the tool better and safer.

Symbol	Designation/Explanation
V	Volts (voltage)
Ah	Amp hour (measurement of battery capacity)
A	Amperes (current)
Hz	Hertz (frequency, cycles per second)
W	Watt (power)
kg	Kilograms (weight)
min	Minutes (time)
s	Seconds (time)
∅	Diameter (size of drill bits, grinding wheels, etc.)
n_0	No load speed (rotational speed at no load)
n	Rated speed (maximum attainable speed)
.../min	Revolutions or reciprocation per minute (revolutions, strokes, surface speed, orbits etc. per minute)
0	Off position (zero speed, zero torque...)
1, 2, 3, ... I, II, III,	Selector settings (speed, torque or position settings. Higher number means greater speed)
	Infinitely variable selector with off (speed is increasing from 0 setting)
	Arrow (action in the direction of arrow)
	Alternating current (type or a characteristic of current)
	Direct current (type or a characteristic of current)
	Alternating or direct current (type or a characteristic of current)
	Class II construction (designates double insulated construction tools)
	Earthing terminal (grounding terminal)

Symbols

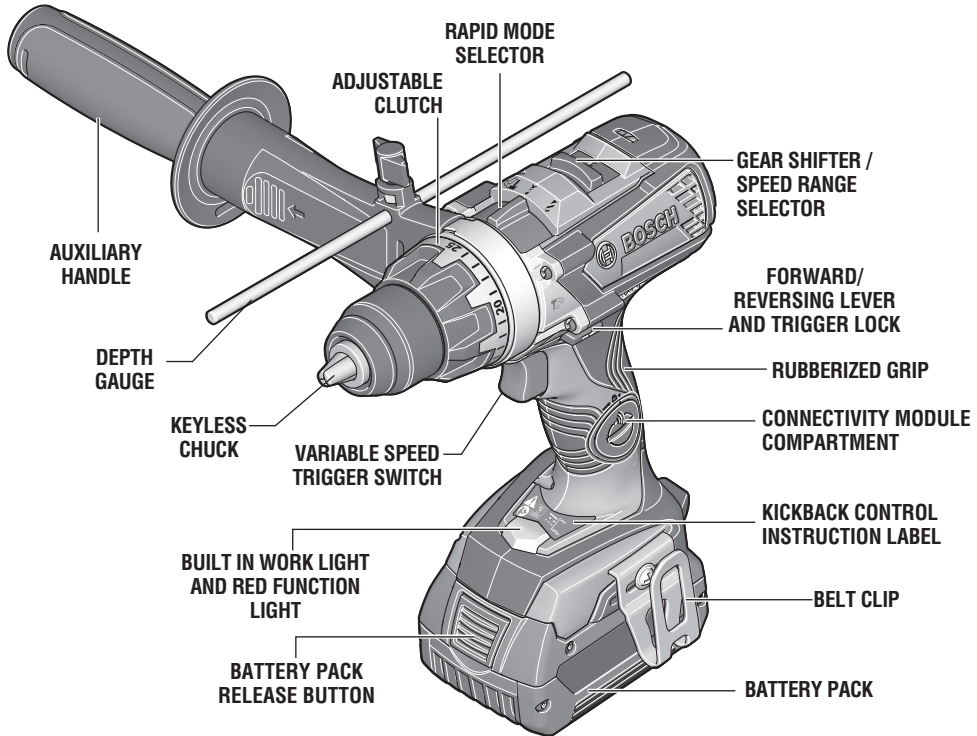
Important: Some of the following symbols may be used on your tool. Please study them and learn their meaning. Proper interpretation of these symbols will allow you to operate the tool better and safer.

Symbol	Designation / Explanation
	Alerts user to read manual
	Alerts user to wear eye protection
	Alerts user to wear respiratory protection
	Alerts user to wear hearing protection
	Alerts user to wear eye, respiratory, and hearing protection
	This symbol designates that this tool is listed by Underwriters Laboratories, to United States and Canadian Standards.
	This symbol designates that this tool is listed by the Canadian Standards Association.
	This symbol designates that this tool is listed by the Canadian Standards Association, to United States and Canadian Standards.
	This symbol designates that this tool is listed by the Intertek Testing Services, to United States and Canadian Standards.
	Designates Li-ion battery recycling program

Functional Description and Specifications

⚠ WARNING Disconnect battery pack from tool before making any assembly, adjustments or changing accessories. Such preventive safety measures reduce the risk of starting the tool accidentally.

Cordless Drill Drivers and Cordless Hammer Drills





NOTE: For tool specifications refer to the nameplate on your tool.

Battery Packs / Chargers:

Please refer to the battery/charger list, included with your tool.

Functional Description and Specifications

Model number	GSR18V-975C, GSR18V-755C	GSB18V-975C, GSB18V-755C
Voltage rating	18 V 	18 V 
No load speed 1	n ₀ 0-480/min	n ₀ 0-480/min
No load speed 2	n ₀ 0-2100/min	n ₀ 0-2100/min
Beats per minute	NA	0-31500 bpm
Maximum Capacities		
Chuck size	1/2"	1/2"
Drilling mild metal	1/2"	1/2"
Drilling wood	3-1/4"	3-1/4"
Drilling masonry	NA	5/8"
Permitted battery temperature during charging	+32...+113°F (0...+45C)	+32...+113°F (0...+45C)
Permitted ambient temperature during operation and storage	-4...+122°F (-20...+50C)	-4...+122°F (-20...+50C)
Recommended ambient temperature during charging	+32...+95°F (0...+35°C)	+32...+95°F (0...+35°C)
Data Transmission (GCY42 installed)		
Bluetooth®	Bluetooth® 4.1 (Low Energy) ^A	Bluetooth® 4.1 (Low Energy) ^A
Signal interval, approx.	8 s	8 s
Signal range	maximum 98ft ^B	maximum 98ft ^B

^A The mobile terminal devices must be compatible with Bluetooth® Low Energy devices (version 4.1) and support the Generic Access Profile (GAP).


^B The signal range may vary greatly depending on external conditions. The Bluetooth® range may be significantly weaker inside closed rooms and through metallic barriers (e.g. walls, shelving units, cases, etc.).

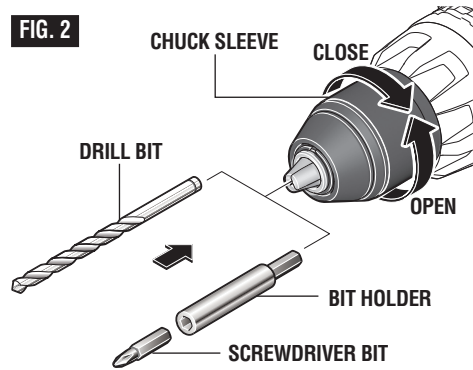
Assembly

⚠ WARNING Disconnect battery pack from tool before making any assembly, adjustments or changing accessories. Such preventive safety measures reduce the risk of starting the tool accidentally.

⚠ WARNING Do not use the power of the drill while grasping chuck to loosen or tighten bit. Friction burn or hand injury is possible if attempting to grasp the spinning chuck.

Inserting Bits

Move reverse switch lever to the center "OFF" position. Remove battery pack and turn the mode selector switch to the drilling  position. Rotate the chuck sleeve counter-clockwise viewing from chuck end, and open chuck to approximate drill bit diameter. Insert a clean bit up to the drill bit flutes for small bits, or as far as it will go for large bits. Close chuck by rotating the chuck sleeve clockwise and securely tighten by hand (Fig. 2). Return the mode selector switch to desired position.



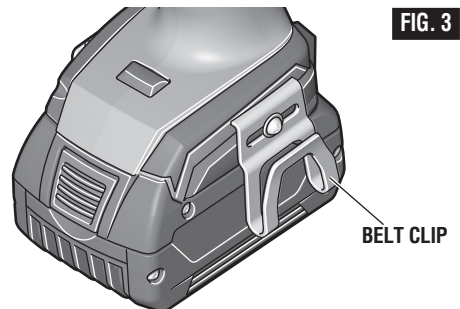
Belt Clip

⚠ WARNING When the tool is attached to the belt, position yourself to avoid entanglement with surrounding objects. Unexpected entanglement could cause the tool to fall resulting in injury to the operator or bystanders.

The belt clip accessory will allow you to conveniently attach your tool to your belt. This feature will allow you to have both hands free when climbing a ladder or moving to another work area.

The belt clip can be attached to either side of the tool by securing it with a mounting screw. Always make sure you securely tighten the mounting screw before use (Fig. 3).

To use clip, turn tool upside down and attach to your belt.



Assembly

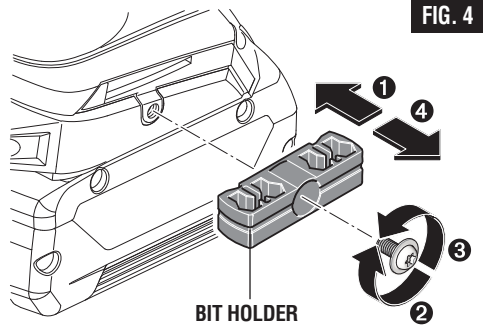
Bit Tip Holder

⚠ WARNING Store only bit tips in the on-tool bit holder. Longer bits could interfere with proper tool operation and result in user injury.

The four piece bit tip holder can be used for convenient on tool storage of your most commonly used bits.

When mounting bit holder accessory, mount on the side of the drill opposite the belt clip.

Always make sure you securely tighten the mounting screw before use. (Fig. 4).

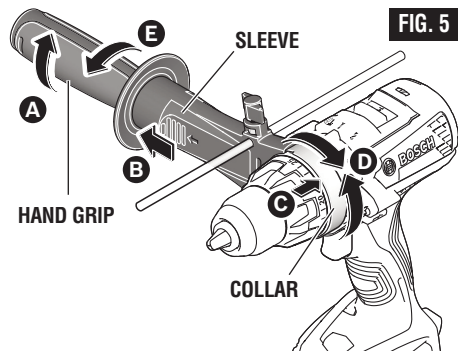


Auxiliary Handle

The tool must be supported with the auxiliary handle during operation.

To mount the auxiliary handle on the tool loosen the hand grip (A). Pull on the sleeve (B) and slide the collar on to the tool as shown (C). Swivel the handle to desired position (D). Secure the handle in place by tightening the hand grip (E). See Fig. 5.

To remove the handle for transportation or storage reverse the steps above.



Assembly

GCY42 Connectivity Module Installation

⚠ WARNING To reduce the risk of injury read the operating instructions included with Bosch GCY42 connectivity module. Operating instructions for GCY42 connectivity module include important information not covered in this manual.

⚠ WARNING Only use Button/coin cell 3V lithium CR2032 battery. Do not use any other button/coin cells or other forms of electrical power supply.

⚠ WARNING Ensure that battery replacement is carried out properly. There is a risk of explosion.

⚠ WARNING Chemical Burn Hazard. Keep batteries away from children. This product contains a lithium button/coin cell battery. If a new or used lithium button/coin cell battery is swallowed or enters the body, it can cause severe internal burns and can lead to death in as little as 2 hours. If you think a battery might have been swallowed or placed inside any part of the body, seek immediate medical attention.

⚠ WARNING Always completely secure the connectivity module compartment. If the connectivity module compartment does not close securely, stop using the product, remove the battery, and keep it away from children.

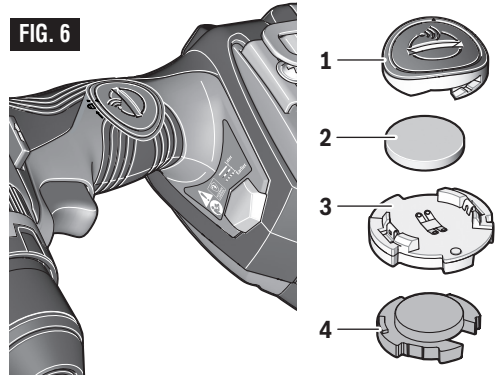
⚠ WARNING When discarding batteries, insulate the '+' and '-' terminals with insulating tape. When disposed of improperly, lithium batteries may short, causing them to become hot, burst or ignite.

⚠ WARNING Never dispose of the batteries in a fire or expose to high heat. The batteries may explode.

If GCY42 connectivity module is not purchased with the tool, or if the replacement of the module or the battery becomes necessary, please follow this procedure (see Fig. 6):

- Using a flat screwdriver or a coin, remove the cover **1** from the side of the handle, by turning it 1/4 turn counter-clockwise.

FIG. 6



- If the tool is already equipped with the connectivity module, remove the battery **2**, but do not remove the connectivity module **3**.
- If the connectivity module is installed for the first time, remove the plastic placeholder **4** from the connectivity module compartment, and place the connectivity module **3** in the compartment observing correct orientation. **Note:** Store the placeholder **4** in a safe place. Reinsert the placeholder again if the communications module is removed.
- Next place new battery **2** on the top of the connectivity module with the "+" polarity facing up.
- Place the cover **1** over the battery and turn it ¼-turn clockwise to lock using a flat screwdriver or a coin.

Operating Instructions

Variable Speed Controlled Trigger Switch

Your tool is equipped with a variable speed trigger switch. The tool can be turned "ON" or "OFF" by squeezing or releasing the trigger. The speed can be adjusted from the minimum to maximum nameplate RPM by the pressure you apply to the trigger. Apply more pressure to increase the speed and release pressure to decrease speed (Fig. 1).

Forward/Reversing Lever & Trigger Lock

WARNING After tool use, lock trigger in "OFF" position to help prevent accidental starts and accidental discharge.

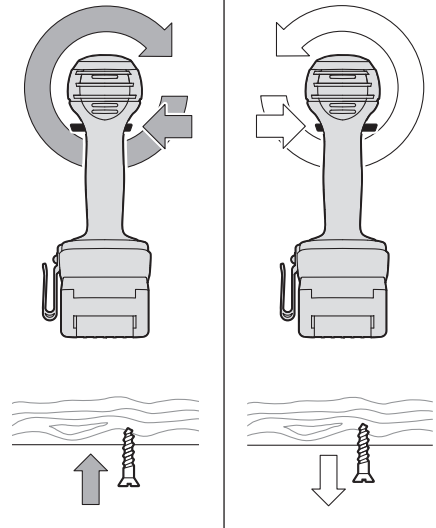
Your tool is equipped with a forward/reversing lever and trigger lock located above the trigger (Fig. 7). This lever was designed for changing rotation of the bit, and for locking the trigger in an "OFF" position.

For forward rotation, (with chuck pointed away from you) move the lever to the far left (Fig. 7).

For reverse rotation move the lever to the far right (Fig. 7). To activate trigger lock move lever to the center off position.

CAUTION Do not change direction of rotation until the tool comes to a complete stop. Shifting during rotation of the chuck can cause damage to the tool.

FIG. 7

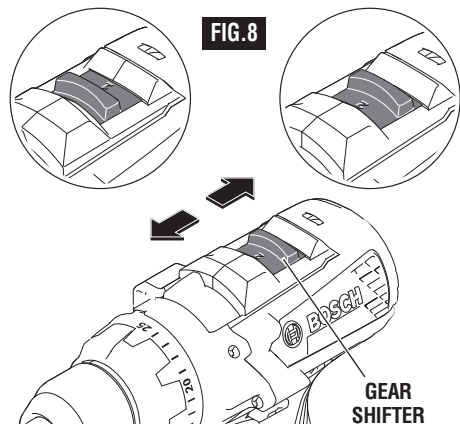


Gear Shifting

Your tool is equipped with two separate gear ranges, low gear 1 and high gear 2. Low gear provides high-torque and slower drilling speeds for heavy duty work or for driving screws. High gear provides faster speeds for drilling lighter work. To change speeds slide switch, to the high 2 or low position 1 (Fig. 8).

ATTENTION: If your tool appears to be running, but the chuck will not turn, check to make sure the gear shifter is pushed fully into desired setting.

FIG. 8



Operating Instructions

Mode Selector Switch

The mode selector switch allows the tool to be set for various drilling or driving applications. Turn the mode selector switch right or left depending on the below applications (Fig. 9).

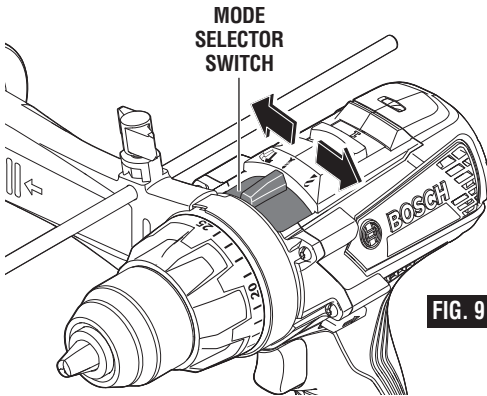


FIG. 9



Drill only action: This mode will lock up the clutch to permit drilling and driving heavy duty work, and also will enable bits to be changed quickly and easily in the keyless chuck.



Driver mode: To drive screws, nuts, and bolts with use of the adjustable clutch settings.



Drill with hammer action (GSB18V-975C and GSB18V-755C Models only): For drilling in concrete, asphalt, tile or other similar hard materials. The hammer drill position overrides the clutch for drilling.

Adjustable Clutch

Your tool features 25 clutch settings. Output torque will increase as the clutch ring, is rotated from 1 to 25. The tool will stop rotating as soon as the set torque is reached during operation (Fig. 10).

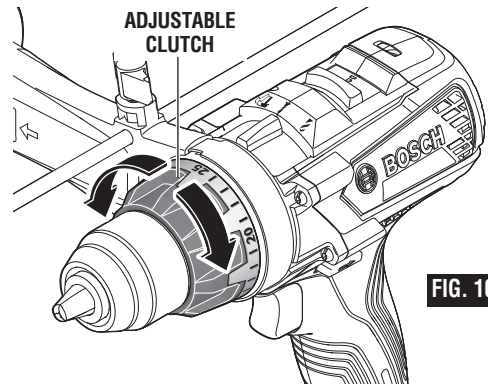


FIG. 10

Brake

When the trigger switch is released it activates the brake to stop the chuck quickly. This is especially useful in the repetitive driving and removal of screws.

Built in LED Work Light

Your tool is also equipped with an LED light that turns on automatically when the switch is activated, for better visibility when drilling/driving (Fig. 1). The light turns off automatically a short time after the trigger is released. You can adjust this time frame using Bosch Tool Box app. See "Connectivity" section.

Operating Instructions

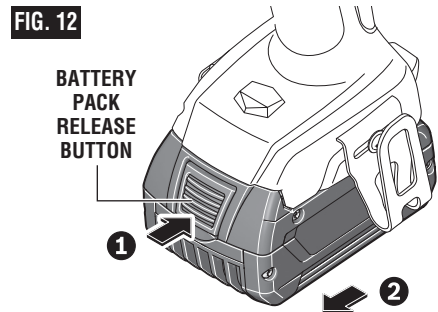
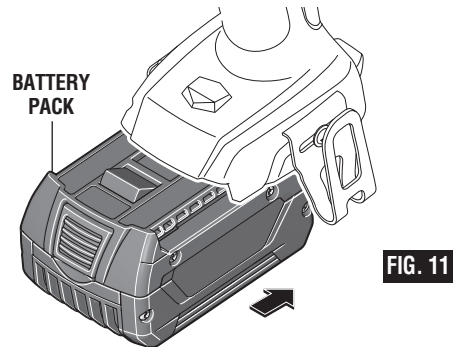
Inserting and Releasing Battery Pack

Set Forward/Reversing lever to the center (off position). Slide charged battery pack into the housing until the battery pack locks into position (Fig. 11). To check if the battery is locked in place, lightly pull the battery in the opposite direction. If the battery moves, do not use the tool and repeat the insertion procedure until the battery is locked in place and does not slide backwards.

Your tool is equipped with a secondary locking latch to prevent the battery pack from completely falling out of the handle, should it become loose due to vibration.

To remove the battery pack, press the battery pack release button and slide the battery pack towards the front of the tool. (Fig. 12).

Press the battery pack release button again and slide the battery pack completely out of tool housing (Fig. 12).

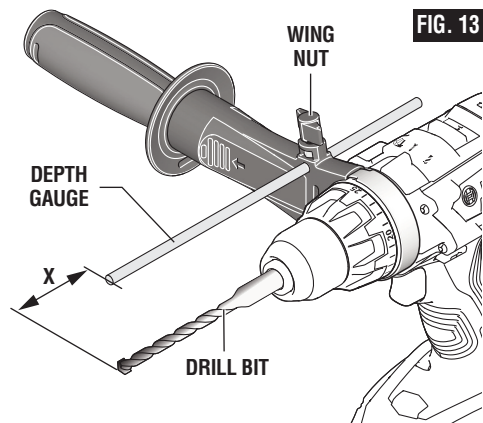


Depth Gauge

Your drilling depth can be pre-set and/or repeated by using the depth gauge.

Setting depth: After the auxiliary handle is installed, make sure the drill bit has been fully inserted into the chuck before setting the depth gauge.

To adjust depth, turn the wing nut counterclockwise to loosen depth gauge, slide depth gauge to desired depth X and securely tighten wing nut clockwise (Fig. 13).



Operating Instructions

Temperature Overload Protection

Avoid using battery operated tools continuously, for long periods of time, while subjecting the tool to overload conditions, such as drilling with large diameter accessories into hard materials. Using battery powered tools at extreme loads, may cause the battery to exceed its allowable operating temperature range. When the battery exceeds normal operating temperature caused by overload, the speed of the tool may be reduced and the tool may appear to lose power. To regain the tool's full performance, the battery must be allowed to cool, until the operating temperature returns to normal.

KickBack Control (Rapid Shut-off)



To ensure better control of the tool during operation, this tool is design to shut-off while in use if a sudden or unexpected bind up situation occurs.

Bind up occurs when the bit gets jammed during operation, which forces the bit to stop spinning abruptly. If this occurs, the tool will shut down and the KickBack Control will be indicated by flashing LED lights on the tool.

The sensitivity level of this feature is adjustable. Using **Bosch Toolbox** app on a mobile device, operator may select one of three settings between "Earlier" and "Later" markers on the

app. The settings only control the KickBack Control activation delay, and do not change the capacity of this feature.

When the switch trigger is pressed, operator is notified about the KickBack Control settings, by the work light and function red light identified in Fig. 1 on page 8.

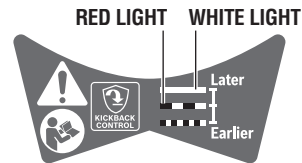
The setting indications are as follows:

W Continuous white light (W) = Later (delayed Kick Back activation).

RWRW Slow alternating red (R) and white (W) light = Mid-Level (less delayed activation).

RRRRWW Fast alternating red (R) / white (W) light = Earlier (minimum delay to activation).

The label next to the work light displays the Kick Back setting indicator light pattern.



This feature can only be activated when the tool is running at maximum speed.

NOTE: The default KickBack Control setting for the tool is "Later". KickBack Control setting for the tool without GCY42 module installed is always set to default.

Connectivity

⚠ WARNING To reduce the risk of injury read the operating instructions included with Bosch GCY42 connectivity module. Operating instructions for GCY42 connectivity module include important information not covered in this manual.

Bluetooth®

⚠ WARNING Do not use the power tool with Bluetooth® in the vicinity of gas stations, chemical plants, areas where there is danger of explosion and areas subject to blasting. Do not use the power tool with Bluetooth® in airplanes. Do not use the power tool with Bluetooth® in the vicinity of medical devices. Avoid operation in the direct vicinity of the human body over longer periods

of time. When using the power tool with Bluetooth®, interference with other devices and systems, airplanes and medical devices (e.g., cardiac pacemakers, hearing aids) may occur.

The Bluetooth® word mark and logos are registered trademarks owned by Bluetooth SIG, Inc. and any use of such marks by Robert Bosch Tool Corporation is under license.

⚠ WARNING Follow all instructions and warnings provided by your

Operating Instructions

Bluetooth® device manufacturer. Failure to follow recommended procedures could result in personal injury or property damage.

⚠ WARNING **Exercise extreme caution when using Bluetooth® devices to control or change power tool functions.** Operation of the device may be in a different area than the paired power tool. Paired devices may have functionality which allows timed event programming, including automatically powering on (e.g. flood light). Depending upon the power tool, these unattended operations or function changes without direct line of sight to the paired tool could result in personal injury or property damage.

⚠ CAUTION Always check tool settings before use. Settings may be different than when the tool was last used. The connectivity module enables transfer of data and settings based on Bluetooth® wireless technology. With module installed, select tool settings may be changed remotely by a paired Bluetooth® device and user installed app.

⚠ CAUTION The connectivity module GCY42 is equipped with a radio interface. Local operating restrictions, e.g. in military sites or hospitals, are to be observed. Transmitters have demonstrated an ability to unintentionally interfere with other devices.

THINK SAFETY

SAFETY IS A COMBINATION OF OPERATOR COMMON SENSE AND ALERTNESS AT ALL TIMES WHEN THE TOOL IS BEING USED.

FCC Caution

The manufacturer is not responsible for radio interference caused by unauthorized modifications to this equipment. Such modifications could void the user's authority to operate the equipment.

This device complies with Part 15 of the FCC Rules. Operation is subject to the following two conditions:

- 1) This device may not cause harmful interference, and
- 2) This device must accept any interference received, including interference that may cause undesired operation.

NOTE! This equipment has been tested and found to comply with the limits for a Class B

digital devices, pursuant to Part 15 of the FCC rules. These limits are designed to provide reasonable protection against harmful interference in a residential installation. This equipment generates, uses and can radiate radio frequency energy and, if not installed and used in accordance with the instructions, may cause harmful interference to radio communications. However, there is no guarantee that interference will not occur in a particular installation. If this equipment does cause harmful interference to radio or television reception, which can be determined by turning the equipment off and on, the user is encouraged to try to correct the interference by one or more of the following measures:

- Reorient or relocate the receiving antenna.
- Increase the separation between the equipment and receiver.
- Connect the equipment into an outlet on a circuit different from that to which the receiver is connected.
- Consult the dealer or an experienced radio/TV technician for help.

“Exposure to Radio Frequency (RF) Signals: The wireless device is a radio transmitter and receiver. It is designed and manufactured not to exceed the emission limit for exposure to radio frequency (RF) energy set by the Ministry of Health (Canada), Safety Code 6. These limits are part of comprehensive guidelines and established permitted levels of RF energy for the general population.

These guidelines are based on the safety standards previously set by international standard bodies. These standards include a substantial safety margin designed to assure the safety of all persons, regardless of age and health.

This device and its antenna must not be co-located or operating in conjunction with any other antenna or transmitter.

Industry Canada

This device complies with Industry Canada licence-exempt RSS standard(s). Operation is subject to the following two conditions:

- (1) this device may not cause interference, and
- (2) this device must accept any interference, including interference that may cause undesired operation of the device.

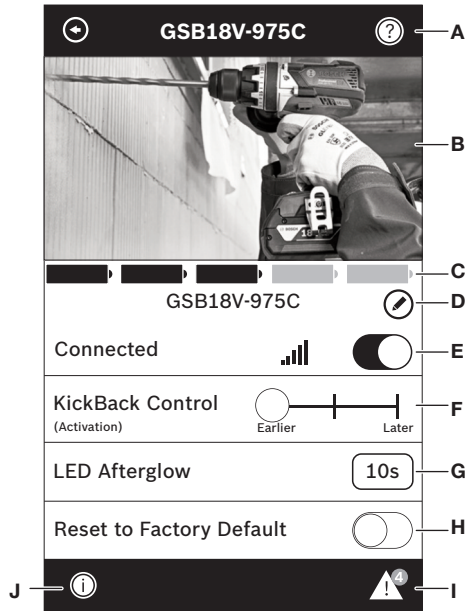
Operating Instructions

Using 'Bosch Toolbox' app

After pairing your tool with a mobile device you can adjust certain functions or check the status of the power tool using Bosch Toolbox app.

Every time you change any setting the tool will confirm the changes by flashing the white LED work light.

- A. Help button** – tapping this button will bring up help screen.
- B. Tool photo** – tapping on the photo will let you customize the photograph of the tool.
- C. Power tool battery charge status** – the number of green 'batteries' indicates the estimated charge level for the battery pack.
- D. Power tool nickname** – tapping on the 'pencil' icon will let you customize the tool nickname. You can also do it when changing the tool photo.
- E. Connection status bar** – Here you can see the connection (signal) strength indicated by vertical bars. You can use toggle switch to disconnect the tool from your mobile device.
- F. KickBack Control adjustment slide** – you can choose between three settings: 'Earlier', Middle (unmarked) and 'Later'.
- G. LED Afterglow timer** – you can set the number of second that the LED worklight stays on after the trigger switch of the tool is released.
- H. Factory Reset toggle switch** – you can reset tool settings back to factory default settings. When you do so the LED after glow will reset to '10s' and KickBack Control will be reset to 'Later' setting.
- I. Tool alerts** – tapping the 'alerts triangle' will display any alerts received from the tool.
- J. Info button** – displays tool information and specifications.



Operating Tips

Driving Nuts and Bolts

Variable speed control must be used with caution for driving nuts and bolts with socket set attachments. The technique is to start slowly, increasing speed as the nut or bolt runs down. Set the nut or bolt snugly by slowing the drill to a stop. If this procedure is not followed, the tool will have a tendency to torque or twist in your hands when the nut or bolt seats.

Drilling

You will extend the life of your bits and do neater work if you always put the bit in contact with the work before pulling the trigger. During the operation, hold the tool firmly and exert light, steady pressure. Too much pressure at low speed will stall the tool. Too little pressure will keep the bit from cutting and cause excess friction by sliding over the surface. This can be damaging to both tool and bit.

Drilling with Variable Speed

The variable speed trigger allows you to slowly increase RPM. By using a slow starting speed, you are able to keep the bit from “wandering”. You can increase the speed as the bit “bites” into the work by squeezing the trigger.

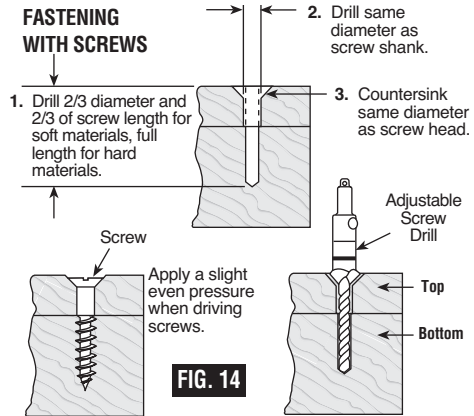
Driving with Variable Speed

Variable speed drills will double as a power screwdriver by using a screwdriver bit. Prior to driving screws, pilot and clearance holes should be drilled. Place the threaded end of the screw in the pilot or clearance hole and start driving the screw slowly, increasing the speed as the screw runs down. Set the screw snugly by slowing to a stop.

Fastening with Screws

The procedure shown in Fig. 14 will enable you to fasten materials together using your drill without stripping, splitting or separating the material.

First, clamp the pieces together and drill the hole $\frac{2}{3}$ the diameter of the screw. If the material is soft, drill only $\frac{2}{3}$ the proper length. If it is hard, drill the entire length.



Second, unclamp the pieces and drill the hole in the top piece of wood again to the same diameter as the shank of the screw.

Third, if flat head screw is used, countersink the hole to make the screw flush with the surface. Realign the holes on the two pieces and apply even pressure when driving the screw. The screw shank clearance hole in the first piece allows the screw head to pull the pieces tightly together.

The adjustable screw drill accessory will do all of these operations quickly and easily. Screw drills are available for screw sizes No. 6, 8, 10 and 12.

Drill Bits

Always inspect drill bits for excessive wear. Use only bits that are sharp and in good condition.

TWIST BITS: Available with straight and reduced shanks for wood and light duty metal drilling. High speed bits cut faster and last longer on hard materials.

CARBIDE TIPPED BITS: Used for drilling stone, concrete, plaster, cement and other unusually hard nonmetals. Use continuous heavy feed pressure when employing carbide tip bits.

Drilling Wood

Be certain workpiece is clamped or anchored firmly. Always apply pressure in a straight line with the drill bit. Maintain enough pressure to keep the drill “biting”.

Operating Tips

When drilling holes in wood, twist bits can be used. Twist bits may overheat unless pulled out frequently to clear chips from flutes.

Use a “back-up” block of wood for work that is likely to splinter, such as thin materials.

You will drill a cleaner hole if you ease up on the pressure just before the bit breaks through the wood. Then complete the hole from the back side.

Drilling Metal

There are two rules for drilling hard materials. First, the harder the material, the greater the pressure you need to apply to the tool. Second, the harder the material, the slower the speed. Here are a couple of tips for drilling in metal.

Lubricate the tip of the bit occasionally with cutting oil except when drilling soft metals such as aluminum, copper or cast iron. If the hole to be drilled is fairly large, drill a smaller hole first, then enlarge to the required size, it's often faster in the long run. Maintain enough pressure to assure that the bit does not just spin in the hole. This will dull the bit and greatly shorten its life.

Drilling Masonry

Soft materials such as brick are relatively easy to drill. Concrete however, will require much more pressure to keep the bit from spinning. Be sure to use carbide tip bits for all masonry work.

⚠ WARNING Before using an accessory, be certain that its maximum safe operating speed is not exceeded by the nameplate speed of the tool. Do not exceed the recommended wheel diameter.

Sanding and Polishing

Fine sanding and polishing require “touch”. Select the most efficient speed.

When using polishing bonnets, always be sure the excess string that secures the bonnet is tucked well within the bonnet during operation.

Wire Brushes

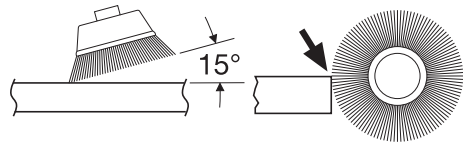
Work with brushes requires high speeds.

Brushing Pressure

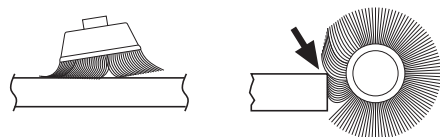
1. Let the tips of a wire brush do the work. Operate the brush with the lightest pressure so only the tips of the wire come in contact with the work.
2. If heavier pressures are used, the wires will be overstressed, resulting in a wiping action; and if this is continued, the life of the brush will be shortened due to wire fatigue.

3. Apply the brush to the work in such a way that as much of the brush face as possible is in full contact with the work. Applying the side or edge of the brush to the work will result in wire breakage and shortened brush life.

CORRECT: Wire tips doing the work.



INCORRECT: Excessive pressure can cause wire breakage.



Maintenance

⚠ WARNING To avoid accidents, always disconnect the tool and/or charger from the power supply before cleaning.

Service

⚠ WARNING **NO USER SERVICEABLE PARTS INSIDE. Preventive maintenance performed by unauthorized personnel may result in misplacing of internal wires and components which could cause serious hazard.** We recommend that all tool service be performed by a Bosch Factory Service Center or Authorized Bosch Service Station. **SERVICEMEN:** Disconnect tool and/or charger from power source before servicing.

Batteries

Be alert for battery packs that are nearing their end of life. If you notice decreased tool performance or significantly shorter running time between charges then it is time to replace the battery pack. Failure to do so can cause the tool to operate improperly or damage the charger.

Tool Lubrication

Your Bosch tool has been properly lubricated and is ready for use.

Motors

The motor in your tool has been engineered for many hours of dependable service. To maintain peak efficiency of the motor, we recommend it be examined every six months. Only a genuine Bosch replacement motor specially designed for your tool should be used.

Cleaning

⚠ CAUTION **Certain cleaning agents and solvents damage plastic parts.** Some of these are: gasoline, carbon tetrachloride, chlorinated cleaning solvents, ammonia and household detergents that contain ammonia.

Ventilation openings and switch levers must be kept clean and free of foreign matter. Do not attempt to clean by inserting pointed objects through opening.

Accessories and Attachments

⚠ WARNING The use of any other attachments or accessories not specified in this manual may create a hazard.

Store accessories in a dry and temperate environment to avoid corrosion and deterioration.

Standard equipment	Optional accessories and attachments
<ul style="list-style-type: none"> - Screwdriver bit - Depth gauge - Auxiliary handle 	<ul style="list-style-type: none"> - Carrying case - Bosch GCY42 connectivity module

Symboles relatifs à la sécurité

Les définitions ci-dessous décrivent le niveau de gravité pour chaque terme signalant un danger. Veuillez lire le mode d'emploi et lire la signification de ces symboles.

	<p>C'est le symbole d'alerte relatif à la sécurité. Il est utilisé pour vous avertir de l'existence possible d'un danger de lésion corporelle. Obéissez à tous les messages relatifs à la sécurité qui suivent ce symbole pour éviter tout risque de blessure ou même de mort.</p>
	<p>DANGER indique une situation dangereuse qui, si elle n'est pas évitée, causera la mort d'une personne ou une blessure grave.</p>
	<p>AVERTISSEMENT indique une situation dangereuse qui, si elle n'est pas évitée, pourrait causer la mort d'une personne ou une blessure grave.</p>
	<p>MISE EN GARDE, conjointement avec le symbole d'alerte en liaison avec la sécurité, indique une situation dangereuse qui, si elle n'est pas évitée, causera une blessure légère ou modérée.</p>

Avertissements généraux concernant la sécurité des outils électroportatifs

AVERTISSEMENT Lisez toutes les consignes de sécurité, instructions, illustrations et spécifications fournies avec cet outil électrique. Le non-respect de toutes les instructions figurant ci-après pourrait causer un choc électrique, un incendie et/ou des blessures graves.

CONSERVEZ TOUS LES AVERTISSEMENTS ET TOUTES LES CONSIGNES DE SÉCURITÉ POUR RÉFÉRENCE FUTURE.

Dans les avertissements, le terme « outil électroportatif » se rapporte à votre outil branché sur le secteur (avec fil) ou à votre outil alimenté par piles (sans fil).

1. Sécurité du lieu de travail

- Maintenez le lieu de travail propre et bien éclairé.** Les risques d'accident sont plus élevés quand on travaille dans un endroit encombré ou sombre.
- N'utilisez pas d'outils électroportatifs dans des atmosphères explosives, comme par exemple en présence de gaz, de poussières ou de liquides inflammables.** Les outils électroportatifs produisent des étincelles qui risquent d'enflammer les poussières ou les vapeurs.
- Éloignez les enfants et les visiteurs quand vous servez d'un outil électroportatif.** Vous risquez une perte de contrôle si on vous distrait.

2. Sécurité électrique

- Les fiches des outils électroportatifs doivent correspondre à la prise. Il ne faut absolument jamais modifier la fiche. N'utilisez pas d'adaptateur de prise avec des outils électroportatifs munis d'une fiche de terre.** Le risque de choc électrique est moindre si on utilise une fiche non modifiée sur une prise qui lui correspond.

- Évitez tout contact du corps avec des surfaces reliées à la terre tels que tuyaux, radiateurs, gazinières ou réfrigérateurs.** Le risque de choc électrique augmente si votre corps est relié à la terre.
- N'exposez pas les outils électroportatifs à la pluie ou à l'humidité.** Si de l'eau pénètre dans un outil électroportatif, le risque de choc électrique augmente.
- Ne maltraitez pas le cordon. Ne vous en servez jamais pour transporter l'outil électroportatif, pour le tirer ou pour le débrancher. Éloignez le cordon de la chaleur, des huiles, des arêtes coupantes ou des pièces mobiles.** Les cordons abîmés ou emmêlés augmentent les risques de choc électrique.
- Si vous utilisez un outil électroportatif à l'extérieur, employez une rallonge conçue pour l'extérieur.** Ces rallonges sont faites pour l'extérieur et réduisent le risque de choc électrique.
- S'il est absolument nécessaire d'utiliser l'outil électroportatif dans un endroit humide, utilisez une alimentation protégée par un disjoncteur de fuite de terre (GFCI).** L'utilisation d'un disjoncteur GFCI réduit les risques de choc électrique.

3. Sécurité personnelle

- a. **Restez concentré, faites attention à ce que vous faites, et servez-vous de votre bon sens lorsque vous utilisez un outil électroportatif. N'employez pas d'outils électroportatifs quand vous êtes fatigué ou sous l'emprise de drogues, d'alcool ou de médicaments.** Quand on utilise des outils électroportatifs, il suffit d'un moment d'inattention pour causer des blessures corporelles graves.
- b. **Utilisez des équipements de sécurité personnelle. Portez toujours une protection oculaire.** Le port d'équipements de sécurité tels que de un masque antipoussière, des chaussures de sécurité antidérapantes, des casques de chantier et des protecteurs d'oreilles dans des conditions appropriées réduira le risque de blessure corporelle.
- c. **Évitez les démarrages intempestifs. Assurez-vous que l'interrupteur est dans la position arrêté (Off) avant de brancher l'outil dans une prise de courant et/ou un bloc-piles, de le ramasser ou de le transporter.** Le transport d'un outil électroportatif avec le doigt sur la gâchette ou le branchement de cet outil quand l'interrupteur est en position de marche (ON) est une invite aux accidents.
- d. **Enlevez toutes les clés de réglage avant de mettre l'outil électroportatif en marche.** Si on laisse une clé sur une pièce tournante de l'outil électroportatif, il y a risque de blessure corporelle.
- e. **Ne vous penchez pas. Conservez toujours une bonne assise et un bon équilibre.** Ceci vous permettra de mieux maîtriser l'outil électroportatif dans des situations inattendues.
- f. **Habillez-vous de manière appropriée. Ne portez pas de vêtements amples ou de bijoux. Attachez les cheveux longs. N'approchez pas les cheveux et les vêtements des pièces en mouvement.** Les vêtements amples, les bijoux ou les cheveux longs risquent d'être happés par les pièces en mouvement.
- g. **Si l'outil est muni de dispositifs permettant le raccordement d'un système d'aspiration et de collecte des poussières, assurez-vous que ces dispositifs sont raccordés et utilisés correctement.** L'utilisation d'un dépoussiéreur peut réduire les dangers associés à l'accumulation de poussière.
- h. **Ne laissez pas la familiarité résultant de l'utilisation fréquente des outils vous inciter à devenir complaisant(e) et à ignorer les principes de sécurité des outils.** Une action négligente pourrait causer des blessures graves en une fraction de seconde.

4. Utilisation et entretien des outils électroportatifs

- a. **Ne forcez pas sur l'outil électroportatif. Utilisez l'outil électroportatif qui convient à la tâche à effectuer.** L'outil qui convient à la tâche fait un meilleur travail et est plus sûr à la vitesse pour lequel il a été conçu.

- b. **Ne vous servez pas de l'outil électroportatif si son interrupteur ne parvient pas à le mettre en marche ou à l'arrêter.** Tout outil électroportatif qui ne peut pas être commandé par son interrupteur est dangereux et doit être réparé.
- c. **Débranchez la fiche de la prise secteur et/ou retirez le bloc-piles de l'outil électrique (s'il est amovible) avant d'y apporter de quelconques modifications, de changer d'accessoire ou de ranger l'outil électrique.** De telles mesures de sécurité préventive réduisent le risque de démarrage intempestif de l'outil électroportatif.
- d. **Rangez les outils électroportatifs dont vous ne vous servez pas hors de portée des enfants et ne permettez pas à des personnes qui ne connaissent pas l'outil électroportatif ou qui ignorent ces consignes de s'en servir.** Les outils électroportatifs sont dangereux dans les mains d'utilisateurs inexpérimentés.
- e. **Entretenez de façon appropriée les outils électriques et les accessoires. Assurez-vous que les pièces en mouvement sont bien alignées et qu'elles ne se coincent pas, qu'il n'y a pas de pièces cassées ou qu'il n'existe aucune situation pouvant affecter le fonctionnement de l'outil électrique. Si l'outil est abîmé, faites-le réparer avant de l'utiliser.** De nombreux accidents sont causés par des outils électroportatifs mal entretenus.
- f. **Maintenez les outils coupants affûtés et propres.** Les outils coupants entretenus correctement et dotés de bords tranchants affûtés sont moins susceptibles de coincer et sont plus faciles à maîtriser.
- g. **Utilisez l'outil électroportatif, les accessoires et les embouts d'outil, etc. conformément à ces instructions, en tenant compte des conditions de travail et des travaux à réaliser.** L'emploi d'outils électroportatifs pour des tâches différentes de celles pour lesquelles ils ont été prévus peut résulter en une situation dangereuse.
- h. **Gardez les poignées et les surfaces de préhension propres, sèches et exemptes de toute trace d'huile ou de graisse.** Les poignées et les surfaces de préhension glissantes ne permettent pas une manipulation et un contrôle sûrs de l'outil dans des situations inattendues.

5. Utilisation et entretien des outils à piles

- a. **Rechargez les piles uniquement avec le chargeur spécifié par le fabricant.** Un chargeur qui convient à un type de bloc-piles peut entraîner un risque d'incendie quand il est utilisé avec un autre bloc-piles.
- b. **Utilisez des outils électroportatifs uniquement avec les bloc-piles spécifiquement désignés pour eux.** L'utilisation de tout autre bloc-piles peut créer un risque de blessures et d'incendie.
- c. **Lorsque le bloc-piles n'est pas utilisé, gardez-le à distances d'autres objets métalliques tels que des trombones, des pièces de monnaie, des clés, des clous, des vis ou de tout autre objet métallique**

- pouvant faire une connexion entre une borne et une autre.** Court-circuiter les bornes des piles peut causer des brûlures ou un incendie.
- d. Dans des conditions abusives, du liquide peut être éjecté de la pile ; dans un tel cas, évitez tout contact avec ce liquide. Si un contact se produit accidentellement, rincez avec de l'eau. Si le liquide entre en contact avec les yeux, consultez un médecin.** Du liquide éjecté de la pile peut causer des irritations ou des brûlures.
- e. N'utilisez pas un bloc-piles ou un outil qui est endommagé ou a été modifié.** Des piles endommagées ou modifiées peuvent se comporter de façon imprévisible et causer un incendie ou une explosion, ou entraîner des blessures.
- f. N'exposez pas un bloc-piles ou un outil à un incendie ou à une température excessive.** L'exposition à un incendie ou à une température supérieure à 265° F (130° C) pourrait causer une explosion.
- g. Suivez toutes les instructions relatives à la charge et ne chargez pas le bloc-piles ou l'outil en dehors de la plage de température indiquée dans les instructions.** Une charge dans des conditions appropriées ou à des températures en dehors de la plage spécifiée pourrait endommager les piles et augmenter le risque d'incendie.

6. Entretien

- a. Faites réparer votre outil électroportatif par un agent de service qualifié n'utilisant que des pièces de rechange identiques.** Ceci assure que la sécurité de l'outil électroportatif est préservée.
- b. Ne tentez jamais de réparer des blocs-piles endommagés.** La réparation de blocs-piles ne doit être effectuée que par le fabricant ou un prestataire de services agréé.

Consignes de sécurité pour perceuses à percussion sans cordon

- a. Portez des protecteurs d'oreilles quand vous utilisez des perceuses à percussion.** L'exposition au bruit peut causer une perte d'acuité auditive.
- b. Utilisez la ou les poignée(s) auxiliaire(s) si elle est/elles sont fournie(s) avec l'outil.** Une perte de contrôle pourrait causer des blessures physiques.
- c. Tenez l'outil électroportatif par ses surfaces de préhension isolées lorsque vous effectuez une opération à l'occasion de laquelle l'accessoire de coupe risque d'entrer en contact avec un fil caché.** Tout contact de l'accessoire de coupe avec un fil sous tension risque de mettre aussi sous tension les parties métalliques exposées de l'outil électroportatif, ce qui pourrait causer un choc électrique pour l'opérateur.
- d. Utilisez des brides ou d'autres moyens pratiques de brider ou de supporter la pièce sur une plate-forme stable.** Tenir la pièce à la main ou contre le corps est instable et risque de résulter en une perte de contrôle.
- e. Ne percez, fixez et ne rentrez pas dans des murs existants ou autres endroits aveugles pouvant abriter des fils électriques.** Si cette situation est inévitable, débranchez tous les fusibles ou les disjoncteurs alimentant ce site.
- f. Portez toujours des lunettes à coques latérales ou des lunettes de protection en utilisant cet outil.** Utilisez un respirateur ou un masque anti-poussières pour les applications produisant de la poussière.
- g. Utilisez des gants rembourrés épais et limitez le temps d'exposition en prenant des pauses fréquentes.** Les vibrations causées par l'action du marteau-perceuse peuvent être nocives pour vos mains et vos bras.
- h. Assujettissez l'ouvrage à percer. Ne le tenez jamais dans votre main ou par-dessus vos jambes.** Un support instable peut faire gripper le foret, provoquant ainsi une perte de contrôle et des blessures.
- i. Débranchez le bloc-piles de l'outil avant d'effectuer tout assemblage ou réglage, ou de changer des accessoires.** Ces mesures de sécurité préventives réduisent le risque d'une mise en marche accidentelle de l'outil.
- j. Placez-vous de manière à éviter d'être pris entre l'outil ou la poignée latérale et les murs ou les montants.** Si le foret se coince ou grippe dans l'ouvrage, le couple de réaction de l'outil pourrait écraser votre main ou votre pied.
- k. Si le foret grippe dans l'ouvrage, relâchez la gâchette immédiatement, inversez le sens de rotation et appuyez lentement sur la gâchette pour faire ressortir le foret.** Soyez prêt à un fort couple de réaction. Le corps de la perceuse aura tendance à tordre en sens opposé à mesure que le foret tourne.
- l. Ne saisissez pas l'outil et ne placez vos mains trop près du foret ou du mandrin en rotation.** Votre main pourrait être lacérée.
- m. En installant un foret, insérez la tige du foret bien à l'intérieur des mâchoires du mandrin.** Si le foret n'est pas inséré assez profondément, la prise des mâchoires sur le foret est réduite et la perte de contrôle est accrue.
- n. N'utilisez pas de forets et d'accessoires émoussés ou endommagés.** Les forets émoussés ou endommagés ont tendance à gripper dans l'ouvrage.

- o. En retirant le foret de l'outil, évitez tout contact avec la peau et utilisez des gants protecteurs appropriés en saisissant le foret ou l'accessoire.** Les accessoires peuvent être chauds après une utilisation prolongée.
- p. Assurez-vous que les clés de serrage et de réglage sont retirées de la perceuse avant de mettre l'outil en marche.** Les clés de serrage ou de réglage peuvent être projetées à grande vitesse et frapper une personne présente ou vous-même.
- q. Ne faites pas fonctionner la outil en la portant à vos côtés.** Un foret en rotation pourrait s'em mêler à vos vêtements, ce qui pourrait causer des blessures.

► Consignes de sécurité en cas d'utilisation de mèches longues

- a. N'utilisez jamais à une vitesse plus élevée que la vitesse nominale maximum de la mèche de perçage.** À des vitesses plus élevées, il est probable que la mèche se déformera si vous la laissez tourner librement sans qu'elle ne soit en contact avec l'ouvrage, ce qui risque de causer des blessures.
- b. Commencez à percer à faible vitesse en vous assurant que la pointe de la mèche est en contact avec l'ouvrage.** À des vitesses plus élevées, il est probable que la mèche se déformera si vous la laissez tourner librement sans qu'elle ne soit en contact avec l'ouvrage, ce qui risque de causer des blessures.
- c. N'exercez de pression que dans l'axe direct de la mèche, et ne faites pas pression excessivement.** Les mèches peuvent se déformer, casser l'équipement ou causer une perte de contrôle pouvant entraîner des blessures.

Avertissements supplémentaires concernant la sécurité

L'emploi d'un GFCI et de dispositifs de protection personnelle tels que gants et chaussures d'électricien en caoutchouc améliorent votre sécurité personnelle.

N'utilisez pas un outil conçu uniquement pour le C.A. sur une alimentation en C.C. Même si l'outil semble fonctionner, les composants électriques d'un outil prévu pour le C.A. tomberont probablement en panne et risquent de créer un danger pour l'utilisateur.

Maintenez les poignées sèches et exemptes d'huile et de graisse. On ne peut pas maîtriser un outil électroportatif en toute sécurité quand on a les mains glissantes.

Créez un agenda d'entretien périodique pour votre outil. Quand vous nettoyez un outil, faites attention de n'en démonter aucune pièce car il est toujours possible de mal remonter ou de pincer les fils internes ou de remonter incorrectement les ressorts de rappel des capots de protection. Certains agents de nettoyage tels que l'essence, le tétrachlorure de carbone, l'ammoniaque, etc. risquent d'abîmer les plastiques.

Veillez à ce que l'interrupteur soit dans la position de fermeture avant d'insérer le bloc-piles. L'insertion d'un bloc-piles dans un outil électroportatif dont l'interrupteur est dans la position de marche est une invite aux accidents.

⚠ AVERTISSEMENT Les travaux à la machine tel que ponçage, sciage, meulage, perçage et autres travaux du bâtiment peuvent créer des poussières contenant des produits chimiques qui sont des causes reconnues de cancer, de malformation congénitale ou d'autres problèmes reproductifs. Ces produits chimiques sont, par exemple :

- Le plomb provenant des peintures à base de plomb,
- Les cristaux de silices provenant des briques et du ciment et d'autres produits de maçonnerie, et
- L'arsenic et le chrome provenant des bois traités chimiquement.








Le niveau de risque dû à cette exposition varie avec la fréquence de ces types de travaux. Pour réduire l'exposition à ces produits chimiques, il faut travailler dans un lieu bien ventilé et porter un équipement de sécurité approprié tel que certains masques à poussière conçus spécialement pour filtrer les particules microscopiques.

LA SÉCURITÉ AVANT TOUT

POUR ASSURER SA SÉCURITÉ, L'UTILISATEUR DOIT FAIRE PREUVE DE BON SENS ET DE VIGILANCE PENDANT TOUT LE TEMPS DURANT LEQUEL IL SE SERT DE L'OUTIL.












Symboles

Important : Certains des symboles suivants peuvent être utilisés sur votre outil. Veuillez les étudier et apprendre leur signification. Une interprétation appropriée de ces symboles vous permettra d'utiliser l'outil de façon plus efficace et plus sûre.

Symbole	Désignation/Explication
V	Volts (voltage)
Ah	Ampères/heure (mesure de la capacité de la pile)
A	Ampères (courant)
Hz	Hertz (fréquence, cycles par seconde)
W	Watt (puissance)
kg	Kilogrammes (poids)
min	Minutes (temps)
s	Seconds (temps)
\varnothing	Diamètre (taille des mèches de perceuse, meules, etc.)
n_0	Vitesse à vide (vitesse de rotation, à vide)
n	Vitesse nominale (vitesse maximum pouvant être atteinte)
.../min	Tours ou mouvement alternatif par minute (tours, coups, vitesse en surface, orbites, etc., par minute)
0	Position d'arrêt (vitesse zéro, couple zéro ...)
1, 2, 3, ... I, II, III,	Réglages du sélecteur (Réglages de vitesse, de couple ou de position. Un nombre plus élevé signifie une vitesse plus grande)
	Sélecteur variable à l'infini avec arrêt (La vitesse augmente depuis le réglage 0)
	Flèche (action dans la direction de la flèche)
	Courant alternatif (type ou caractéristique du courant)
	Courant continu (type ou caractéristique du courant)
	Courant alternatif ou continu (type ou caractéristique du courant)
	Construction classe II (désigne des outils construits avec double isolation)
	Borne de terre (borne de mise à la terre)

Symboles (suite)

Important : Certains des symboles suivants peuvent être utilisés sur votre outil. Veuillez les étudier et apprendre leur signification. Une interprétation appropriée de ces symboles vous permettra d'utiliser l'outil de façon plus efficace et plus sûre.

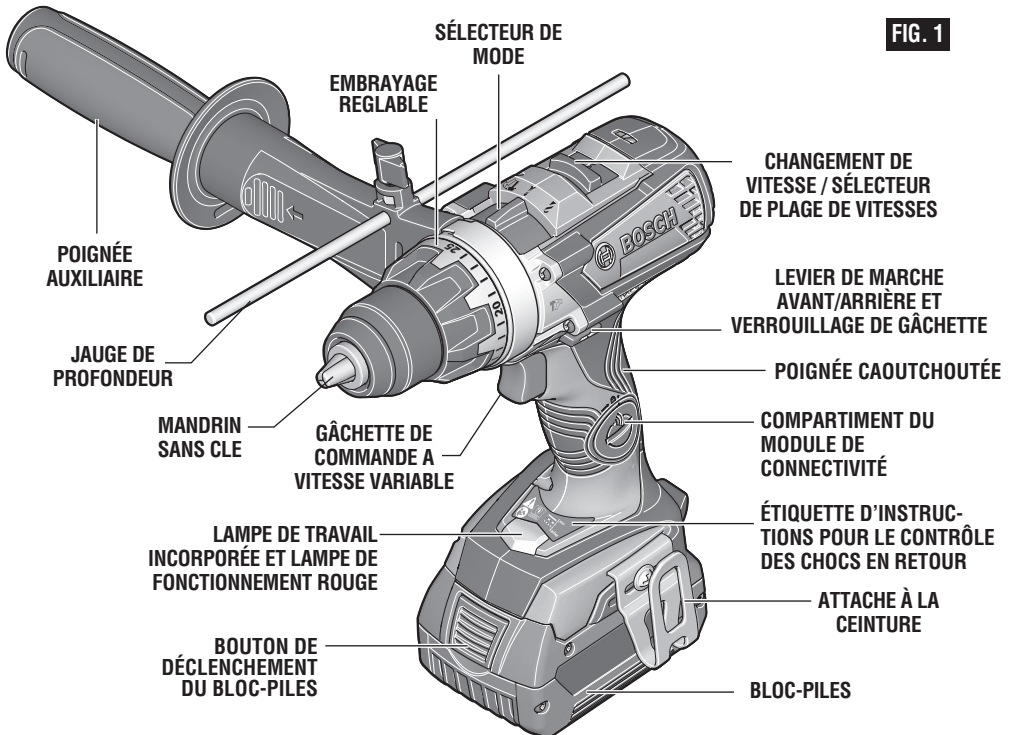
Symbole	Désignation / Explication
	Alerte l'utilisateur pour lire le mode d'emploi
	Alerte l'utilisateur pour porter des lunettes de sécurité
	Alerte l'utilisateur pour porter une protection respiratoire
	Alerte l'utilisateur pour porter des protecteurs d'oreilles
	Avertit l'utilisateur de porter une protection oculaire, respiratoire et auditive
	Ce symbole signifie que cet outil est approuvé par Underwriters Laboratories.
	Ce symbole signifie que cet outil est approuvé par Underwriters Laboratories selon les normes des États-Unis et du Canada.
	Ce symbole signifie que cet outil est approuvé par l'Association canadienne de normalisation.
	Ce symbole signifie que cet outil est approuvé par l'Association canadienne de normalisation selon les normes des États-Unis et du Canada.
 Intertek	Ce symbole signifie que cet outil est approuvé par Intertek Testing Services selon les normes des États-Unis et du Canada
	Désigne le programme de recyclage des piles Li-ion.

Description fonctionnelle et spécifications

AVERTISSEMENT

Débranchez le bloc-piles de l'outil avant d'effectuer tout assemblage ou réglage, ou de changer des accessoires. Ces mesures de sécurité préventives réduisent le risque d'une mise en marche accidentelle de l'outil.

Perceuses/tournevis sans cordon et perceuses à percussion sans cordon



REMARQUE : Pour spécifications de l'outil, reportez-vous à la plaque signalétique de votre outil.

Bloc-piles/chargeurs

Veuillez vous référer à la liste des piles/chargeurs accompagnant votre outil.

Description fonctionnelle et spécifications

Numéro de modèle	GSR18V-975C, GSR18V-755C	GSB18V-975C, GSB18V-755C
Tension nominale	18 V	18 V
Régime à vide 1	n_0 0-480/min	n_0 0-480/min
Régime à vide 2	n_0 0-2100/min	n_0 0-2100/min
Battements par minute	NA	0-31500 b/mn
Capacités maximales		
Dimension de mandrin	1/2"	1/2"
Perçage de métal doux	1/2"	1/2"
Perçage de bois	3-1/4"	3-1/4"
Perçage de maçonnerie	NA	5/8"
Permitted battery temperature during charging	+32...+113°F (0...+45C)	+32...+113°F (0...+45C)
Permitted ambient temperature during operation and storage	-4...+122°F (-20...+50C)	-4...+122°F (-20...+50C)
Recommended ambient temperature during charging	+32...+95°F (0...+35°C)	+32...+95°F (0...+35°C)
Ransmission des données (GCY42 installé)		
Bluetooth®	Bluetooth® 4.1 (faible consommation d'énergie)A	Bluetooth® 4.1 (faible consommation d'énergie)A
Intervalle entre signaux, approx.	8 s	8 s
Plage des signaux	maximum 98ft ^B	maximum 98ft ^B

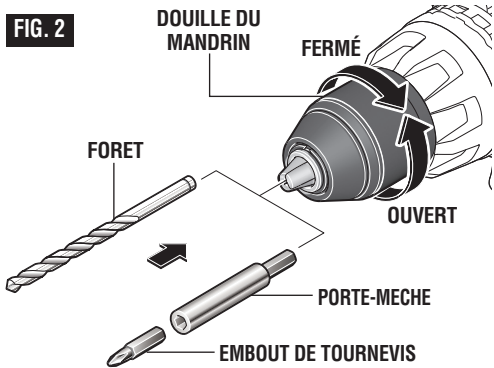
^A Les terminaux mobiles doivent être compatibles avec les dispositifs Bluetooth® à faible consommation d'énergie (version 4.1) et prendre en charge le Generic Access Profile (GAP).

^B La plage des signaux peut varier considérablement en fonction des conditions extérieures. La plage Bluetooth® peut être substantiellement plus faible à l'intérieur de salles closes et à travers des barrières métalliques (p. ex., murs, étagères, coffres, etc.).


Assemblage

⚠ AVERTISSEMENT Débranchez le bloc-piles de l'outil avant d'effectuer tout assemblage ou réglage, ou de changer des accessoires. Ces mesures de sécurité préventives réduisent le risque d'une mise en marche accidentelle de l'outil.

⚠ AVERTISSEMENT N'utilisez pas la puissance de la perceuse en saisissant le mandrin pour desserrer ou resserrer le foret. Si vous tentez de saisir le mandrin en rotation, vous pourriez être blessé à la main ou subir une brûlure de friction.



Insertion des forets

Mettez le commutateur d'inversion dans la position centrale « OFF ». Retirez le bloc-piles et mettez le sélecteur de mode dans la position de perçage . Tournez le manchon du mandrin dans le sens opposé à celui des aiguilles d'une montre en le regardant depuis l'extrémité mandrin, et ouvrez le mandrin pour le faire correspondre environ au diamètre du foret. Insérez un foret propre jusqu'aux cannelures du foret pour les petits forets, ou aussi loin que possible pour les gros forets. Fermez le mandrin en tournant le manchon du mandrin dans le sens des aiguilles d'une montre et en serrant fermement à la main (Fig. 2). Remettez le sélecteur de mode dans la position désirée.

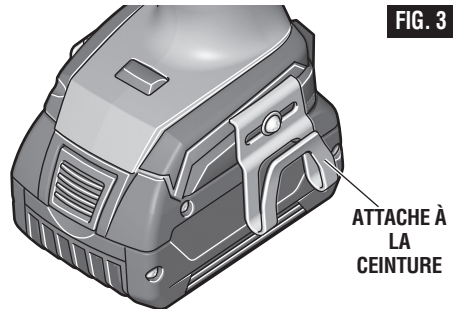
Attache de ceinture

Quand l'outil est attaché à la ceinture, positionnez-vous de façon à éviter toute prise dans les objets alentour. Un coincement inattendu peut causer la chute de l'outil et blesser l'opérateur ou d'autres personnes.

L'accessoire en option d'attache à la ceinture est un moyen pratique d'attacher votre outil à la ceinture. Ce dispositif vous permet d'avoir les deux mains libres pour monter sur une échelle ou changer de lieu de travail.

L'attache de ceinture peut être fixée de n'importe quel côté de l'outil en la fixant avec une vis de montage. Veillez toujours à bien serrer la vis de montage avant l'utilisation (Fig. 3).

Pour utiliser l'attache, retournez l'outil et fixez-le à la ceinture.



Assemblage

Porte-mèche

Ne rangez que des pointes de mèches dans le porte-mèche incorporé à l'outil. Des mèches plus longues pourraient faire obstacle à un fonctionnement correct de l'outil et causer des blessures des utilisateurs.

Le porte-mèche à quatre pièces peut être utilisé pour permettre un rangement pratique sur l'outil des mèches que vous utilisez le plus souvent.

Lorsque vous voulez monter le porte-mèche accessoire, montez-le sur le côté de la perceuse qui est opposé à celui de l'attache de ceinture.

Assurez-vous de serrer fermement la vis de montage avant l'emploi (Fig. 4).

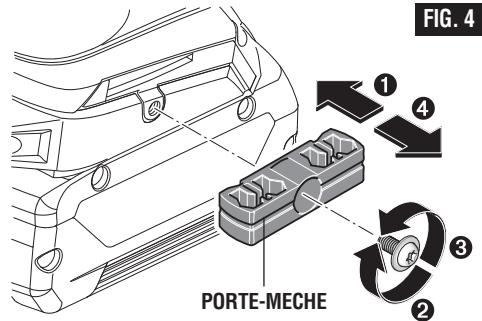


FIG. 4

Poignée auxiliaire

L'outil doit être soutenu à l'aide de la poignée auxiliaire pendant son fonctionnement.

Pour monter la poignée auxiliaire sur l'outil, desserrez la poignée (A). Tirez sur le manchon (B) et faites glisser la bague sur l'outil tel qu'indiqué (C). Faites pivoter la poignée dans la position désirée (D). Assujettissez la poignée à sa place en la serrant à son extrémité (E). Voir Fig. 5.

Pour retirer la poignée en vue de transport ou de rangement, inversez la procédure décrite ci-dessus.

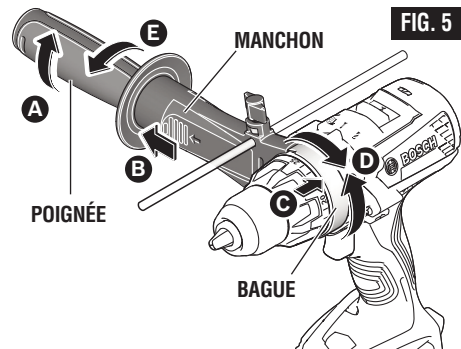


FIG. 5

Assemblage

Installation du module de connectivité GCY42

⚠ AVERTISSEMENT Pour réduire le risque de blessure, lisez les instructions d'utilisation incluses dans le module de connectivité GCY42. Les instructions d'utilisation pour le module de connectivité GCY42 comprennent des informations importantes qui ne sont pas couvertes dans ce manuel.

⚠ AVERTISSEMENT N'utilisez que des piles CR2032 au lithium de 3 V en forme de bouton/pièce de monnaie. N'utilisez pas d'autres piles en forme de bouton/pièce de monnaie ou d'autres types d'alimentation électrique.

⚠ AVERTISSEMENT Assurez-vous que les piles sont remplacées de façon appropriée. Il existe un risque d'explosion.

⚠ AVERTISSEMENT Risque de brûlure chimique. Gardez les piles hors de la portée des enfants. Ce produit contient une pile au lithium en forme de bouton/pièce de monnaie. Si une pile au lithium en forme de bouton/pièce de monnaie neuve ou usagée est avalée ou entre dans le corps, elle risque de causer de graves brûlures internes et de causer la mort en deux heures seulement. Si vous pensez que des piles ont pu avoir été avalées ou placées dans une partie quelconque du corps, consultez immédiatement un membre du corps médical.

⚠ AVERTISSEMENT Sécurisez toujours complètement le compartiment du module de connectivité. Si le compartiment du module de connectivité ne ferme pas bien, cessez d'utiliser le produit, retirez-en les piles et gardez hors de la portée des enfants.

⚠ AVERTISSEMENT Lorsque vous mettez des piles au rebut, isolez les bornes « + » et « - » avec un ruban isolant. Si elles sont mises au rebut de façon inappropriée, les piles au lithium risquent de se court-circuiter, ce qui élèvera leur température et risque de les faire éclater ou de causer leur inflammation.

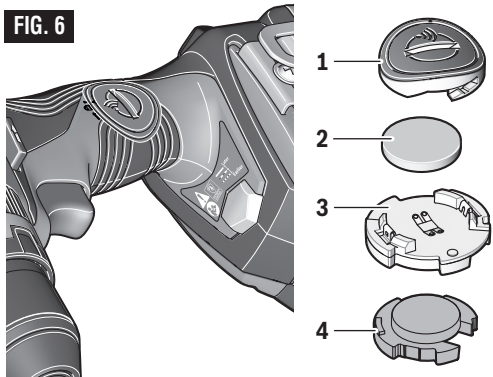
⚠ AVERTISSEMENT Ne jetez jamais de piles dans un feu et ne les exposez pas à une chaleur élevée. Les piles pourraient exploser.

Si le module de connectivité GCY42 n'est pas acheté avec l'outil, ou si le remplacement du module ou des piles devient nécessaire, veuillez suivre cette procédure (voir Fig. 6) :

- En utilisant un tournevis à lame plate ou une pièce de monnaie, retirez le couvercle **1** du côté de la poignée en tournant d'un quart de tour dans le sens contraire des aiguilles d'une montre.

- Si l'outil est déjà muni du module de connectivité, retirez la pile **2** mais pas le module de connectivité **3**.
- Si le module de connectivité est installé pour la première fois, retirez le support de mise en place en plastique **4** du compartiment du module de connectivité et placez le module de connectivité **3** dans le compartiment en respectant l'orientation correcte. **Remarque :** Rangez le support de mise en place **4** en lieu sûr. Réinsérez le support de mise en place si le module de communications est retiré.
- Puis placez la nouvelle pile **2** sur le module de connectivité avec la polarité « + » orientée vers le haut.
- Placez le couvercle **1** sur la pile et tournez d'un quart de tour dans le sens des aiguilles d'une montre pour verrouiller en utilisant un tournevis à lame plate ou une pièce de monnaie.

FIG. 6



Consignes de fonctionnement

Gâchette de commande à vitesse variable

Votre outil est équipé d'une gâchette de commande à vitesse variable. Vous pouvez mettre le tournevis en marche ou à l'arrêt en appuyant sur la gâchette ou en la relâchant, suivant le cas. En fonction de la pression exercée sur la gâchette, il est possible de régler la vitesse dans les limites minimale et maximale spécifiées sur la plaquette emblématique. Exercez plus de pression pour augmenter la vitesse et moins pour la diminuer (Fig. 1).

Levier de marche avant/arrière et verrouillage de gâchette

⚠ AVERTISSEMENT Après avoir utilisé l'outil, verrouillez la gâchette en position d'arrêt pour éviter les risques de démarrage accidentel et de décharge accidentelle.

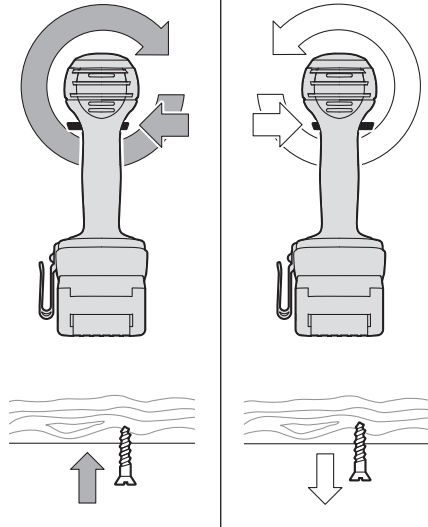
Votre outil est équipé d'un levier de marche avant/arrière et d'un verrouillage de gâchette se trouvant au-dessus de la gâchette (Fig. 7). Ce levier a été conçu de manière à changer la rotation de l'embout et verrouiller la gâchette en position d'arrêt.

Pour la rotation avant (le mandrin étant dirigé en sens opposé à vous), déplacez le levier à l'extrême gauche (Fig. 7).

Pour la rotation inverse, déplacez le levier à l'extrême droite (Fig. 7). Pour actionner le verrouillage de gâchette, déplacez le levier à la position centrale (arrêt).

⚠ MISE EN GARDE Ne changez pas le sens de rotation avant que l'outil ne se soit complètement immobilisé. Un changement durant la rotation du mandrin pourrait endommager l'outil.

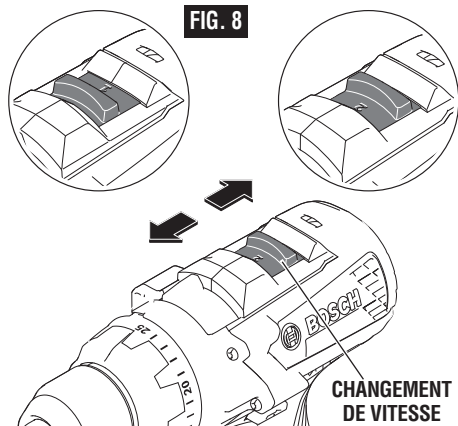
FIG. 7



Changement de vitesses

Votre outil est muni de deux gammes de vitesses distinctes, faible vitesse 1 et vitesse élevée 2. Le mode à faible vitesse assure un couple élevé et une faible vitesse de perçage pour les matériaux durs ou pour l'enfoncement de vis. Le mode à vitesse élevée assure une vitesse rapide pour le perçage de matériaux doux. Pour changer de vitesse, faites glisser le commutateur dans la position de vitesse élevée 2 ou de faible vitesse 1 (Fig. 8).

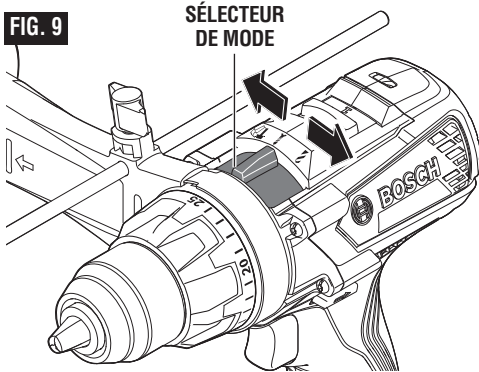
ATTENTION : Si votre outil donne l'impression de fonctionner mais si le mandrin ne tourne pas, vérifiez pour vous assurer que le levier de changement de vitesse est enfoncé à fond dans la position désirée.



Consignes de fonctionnement

Sélecteur de mode

Le sélecteur de mode permet de régler l'outil pour diverses applications de perçage ou d'enfoncement de vis. Tournez le sélecteur de mode vers la droite ou vers la gauche en fonction de l'application désirée, selon ce qui est indiqué ci-dessous (Fig. 9).



Action de perçage seulement : ce mode verrouillera l'embrayage afin de permettre le perçage et d'enfoncer des vis dans des matériaux durs, et il permettra également de changer rapidement les mèches/embouts dans le mandrin sans clé.



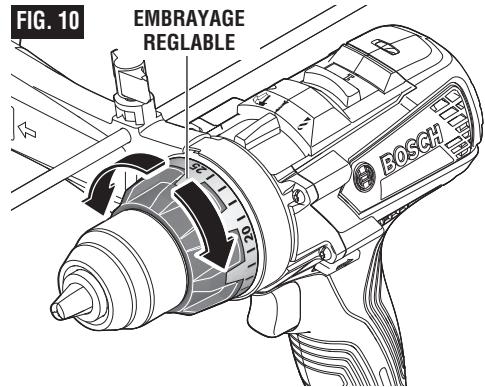
Mode d'enfoncement de vis : pour enfoncer des vis, mais également des écrous et des boulons, en utilisant les paramètres de réglage de l'embrayage.



Perceuse avec action de marteau perforateur (modèle GSB18V-975C et GSB18V-755C seulement) : pour percer dans le béton, l'asphalte, le carrelage ou d'autres matériaux durs similaires. La position de marteau perforateur se substitue à celle de l'embrayage pour le perçage.

Embrayage réglable

Votre outil comporte 25 positions de réglage de l'embrayage. Le couple de sortie augmentera au fur et à mesure que vous ferez tourner l'anneau de l'embrayage depuis 1 vers 25. L'outil cessera de tourner dès que le couple fixé aura été atteint pendant le fonctionnement (Fig. 10).



Frein

Le relâchement de la gâchette active le frein qui immobilise le mandrin en rapidité, ce qui est surtout pratique pour l'enfoncement et l'enlèvement répétitifs des vis.

Lampe de travail à del incorporée

Votre outil est également muni d'une lumière à DEL qui s'allume automatiquement lorsque l'interrupteur est activé afin d'assurer une meilleure visibilité pour percer/visser (Fig. 1). La lumière s'éteint automatiquement peu de temps après le relâchement de la gâchette. Vous pouvez ajuster ce délai en utilisant l'appli Bosch Tool Box. Voir la section « Connectivité ».

Consignes de fonctionnement

Insertion et retrait du bloc-piles

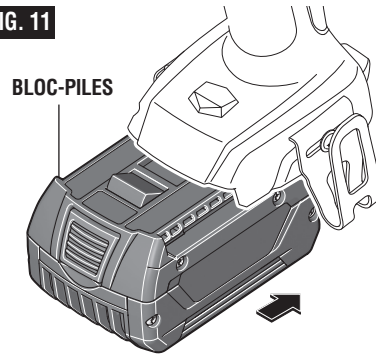
Mettez le levier de marche avant/arrière au centre (en position d'arrêt). Faites glisser le bloc-piles chargé dans le bâti jusqu'à ce que le bloc-piles se bloque en position (Fig. 11). Pour vérifier que la pile est verrouillée en place, tirez légèrement sur la pile dans le sens contraire. Si la pile bouge, n'utilisez pas l'outil et recommencez la procédure d'insertion jusqu'à ce que la pile soit verrouillée en place et ne glisse pas vers l'arrière.

Votre outil est muni d'un loquet de verrouillage secondaire qui empêche le bloc-piles de se séparer complètement de la poignée et de tomber au cas où il viendrait à se décrocher à cause des vibrations.

Pour retirer le bloc-piles, appuyez sur le bouton de libération du bloc-piles et faites glisser le bloc-piles vers l'avant de l'outil. (Fig. 12).

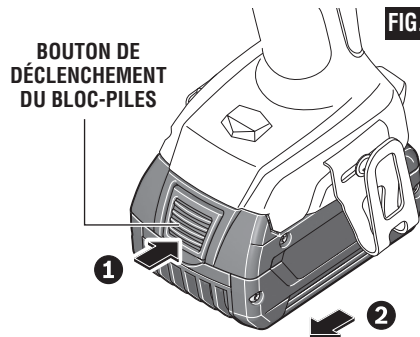
Appuyez une fois de plus sur le bouton de déclenchement du bloc-piles et faites glisser le bloc-piles jusqu'à ce qu'il sorte complètement du bâti de l'outil (Fig. 12).

FIG. 11



BLOC-PILES

FIG. 12



BOUTON DE DÉCLENCHEMENT DU BLOC-PILES

Jauge de profondeur

Votre profondeur de perçage peut être réglée à l'avance et/ou répétée au moyen de la jauge de profondeur.

Réglage de la profondeur : Après avoir installé la poignée auxiliaire, assurez-vous que la mèche a été insérée totalement à l'intérieur du mandrin avant de régler la jauge de profondeur.

Pour ajuster la profondeur, faites tourner l'écrou à oreilles dans le sens contraire des aiguilles d'une montre pour desserrer la jauge de profondeur, faites glisser la jauge de profondeur jusqu'à la profondeur désirée X et serrez à fond l'écrou à oreilles dans le sens des aiguilles d'une montre (Fig. 13).

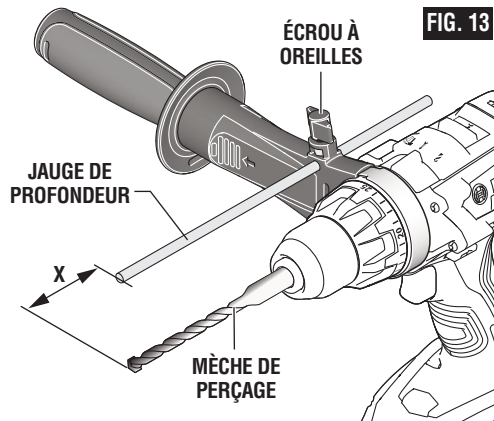


FIG. 13

ÉCROU À OREILLES

JAUGE DE PROFONDEUR

MÈCHE DE PERÇAGE

Consignes de fonctionnement

Protection contre la surchauffe/surcharge

Évitez d'utiliser trop longtemps sans interruption des outils alimentés par des piles lorsque vous soumettez l'outil à des conditions de surcharge, comme lorsque vous percez des matériaux durs avec des accessoires de grand diamètre. L'utilisation d'outils alimentés par des piles à des charges extrêmes pourrait avoir pour effet que les piles chauffent au-delà de leur limite maximum de fonctionnement autorisée. Lorsque les piles dépassent la température normale de fonctionnement causée par une surcharge, la vitesse de l'outil peut être réduite, et l'outil peut donner l'impression de perdre une partie de sa puissance. Pour restaurer la puissance nominale de l'outil, il faut laisser les piles refroidir jusqu'à ce que la température de fonctionnement retourne à la normale.

Contrôle des chocs en retour (fermeture rapide)



Pour assurer un meilleur contrôle de l'outil pendant son fonctionnement, cet outil est conçu pour se mettre hors tension pendant son utilisation s'il se coince soudainement ou de manière inattendue. Ceci peut se produire si la mèche se coince pendant le fonctionnement, ce qui la forcerait à cesser de tourner tout à coup. Si cela se produit, l'outil s'éteindra et la fermeture rapide résultant du contrôle des chocs en retour (KickBack Control) sera indiquée par le clignotement de DEL sur l'outil.

Le niveau de sensibilité de cette fonction est réglable. En utilisant l'appli **Bosch Toolbox** sur un dispositif mobile, l'opérateur peut sélectionner l'un des trois paramètres entre les

marqueurs « Earlier » (Plus tôt) et « Later » (Plus tard) sur l'appli. Les paramètres ne contrôlent que le délai d'activation du contrôle des chocs en retour ; ils ne changent pas la capacité de cette fonction.

Lorsque la gâchette de l'interrupteur est enfoncée, l'opérateur est informé du réglage des paramètres du contrôle des chocs en retour par la lampe de travail et la lumière de fonctionnement rouge identifiées à la Fig. 1, page 26.

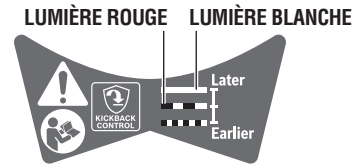
Les indications de réglage de ces paramètres sont les suivantes :

W Lumière blanche continue (W) = Plus tard (activation retardée du contrôle des chocs en retour).

RWRW Lumières rouge (R) et blanche (W) alternant lentement = Niveau intermédiaire (activation moins retardée).

RRRRRR Lumières rouge (R) et blanche (W) alternant rapidement = Plus tôt (délai d'activation minimum).

L'étiquette située à côté de la lumière de travail affiche le type d'éclairage de l'indicateur de réglage du contrôle des chocs en retour.



Cette fonctionnalité ne peut être activée que lorsque l'outil fonctionne à sa vitesse maximum.

REMARQUE : Le réglage par défaut du paramètre de contrôle des chocs en retour est « Later » (Plus tard). Le paramètre de contrôle des chocs en retour pour l'outil si le module GCY30-4 n'est pas installé est toujours réglé sur la valeur par défaut.

Connectivité

⚠ AVERTISSEMENT Pour réduire le risque de blessure, lisez les instructions d'utilisation incluses dans le module de connectivité GCY42. Les instructions d'utilisation pour le module de connectivité GCY42 comprennent des informations importantes qui ne sont pas couvertes dans ce manuel.

BLUETOOTH®

⚠ AVERTISSEMENT N'utilisez pas l'outil électrique avec Bluetooth® à proximité de postes de distribution d'essence, d'usines de produits chimiques, d'endroits où il existe un risque d'explosion et d'autres endroits exposés. N'utilisez pas l'outil électrique avec Bluetooth® dans des avions. N'utilisez pas l'outil électrique avec Bluetooth® à proximité de dispositifs médicaux. Évitez toute utilisation à proximité immédiate du corps humain pendant des périodes prolongées. Lorsque vous utilisez l'outil électrique avec Bluetooth®, des interférences avec d'autres dispositifs et systèmes, des avions et des dispositifs médicaux (p. ex., stimulateurs cardiaques, prothèses auditives) peuvent se produire.

La marque du mot Bluetooth® et les logos correspondants sont des marques déposées appartenant à Bluetooth SIG, Inc., et toute utilisation de ces marques par Robert Bosch Tool Corporation est effectuée sous licence.

⚠ AVERTISSEMENT Suivez toutes les instructions et tous les avertissements fournis par votre fabricant de dispositif Bluetooth®. Le non-respect de ces procédures recommandées pourrait causer des blessures ou des dommages matériels.

⚠ AVERTISSEMENT Faites preuve d'une grande prudence lorsque vous utilisez des dispositifs Bluetooth® pour contrôler ou changer des fonctions de l'outil électrique. Le dispositif peut fonctionner à un endroit différent de celui où se trouve l'outil électrique apparié. Les dispositifs appariés peuvent avoir une fonctionnalité permettant la programmation d'événements ponctuels, y compris la mise en marche automatique (p. ex., lumière diffuse). En fonction de l'outil électrique, ces opérations non surveillées ou ces changements de fonction sans ligne de vision permettant de voir l'outil apparié pourraient causer des blessures ou des dommages matériels.

⚠ MISE EN GARDE Contrôlez toujours le réglage des paramètres de l'outil avant de vous en servir. Ce réglage peut être différent de la dernière fois que l'outil a été utilisé. Le module de connectivité permet le transfert de données et de paramètres grâce à la technologie sans fil Bluetooth®. Après avoir installé le module, certains paramètres de réglage de l'outil peuvent être changés à distance par un dispositif Bluetooth® apparié, avec l'appli installée de l'utilisateur.

⚠ MISE EN GARDE Le module de connectivité GCY42 est pourvu d'une interface radio. Il faut observer les restrictions d'utilisation locales, p. ex., dans les établissements militaires ou les hôpitaux. Les émetteurs ont démontré une capacité d'interférence non intentionnelle avec d'autres dispositifs.

LA SÉCURITÉ AVANT TOUT

POUR ASSURER SA SÉCURITÉ, L'UTILISATEUR DOIT FAIRE PREUVE DE BON SENS ET DE VIGILANCE PENDANT TOUT LE TEMPS DURANT LEQUEL IL SE SERT DE L'OUTIL.

Mise en garde de la FCC

Le fabricant n'est pas responsable de toute interférence radio à cause de modifications non autorisées apportées à ce matériel. De telles modifications pourraient annuler l'autorisation accordée à l'utilisateur pour utiliser ce matériel.

Cet appareil est conforme à la partie 15 des Règlements de la FCC. Son utilisation est autorisée moyennant le respect des deux conditions suivantes :

- 1) Cet appareil ne doit pas causer d'interférences nuisibles ; et
- 2) Cet appareil doit accepter toute interférence reçue, y compris les interférences qui risquent de causer un fonctionnement indésirable.

REMARQUE ! Cet équipement a été testé et jugé conforme aux limites pour un équipement numérique de Classe B en vertu de la Partie 15 des Règlements de la FCC. Ces limites sont conçues pour assurer une protection raisonnable contre les interférences nuisibles dans une installation résidentielle. Cet équipement émet, utilise et peut rayonner de l'énergie de fréquence radio et, s'il n'est pas installé et utilisé conformément aux instructions, il pourrait causer des interférences nuisibles aux communications radio. Cependant, il n'existe aucune garantie qu'aucune interférence ne se produira dans une installation particulière. Si cet équipement cause des interférences nuisibles pour la réception de programmes à la radio ou à la télévision, ce qui peut être déterminé en allumant et en éteignant à plusieurs reprises l'équipement en question, l'utilisateur est encouragé à corriger l'interférence en prenant une ou plusieurs des mesures suivantes :

- Réorienter ou déplacer l'antenne de réception.
- Augmenter la distance entre l'équipement et le récepteur.

Connectivité

- Connecter l'équipement à une prise de courant raccordée à un circuit différent de celui auquel le récepteur est connecté.
- Consulter le détaillant ou un technicien radio ou télévision expérimenté pour lui demander conseil.

« Exposition à des signaux de radio fréquence (RF) : Le dispositif sans fil est un émetteur et récepteur radio. Il est conçu et fabriqué pour ne pas dépasser la limite d'émission pour l'exposition à l'énergie de radio fréquence (RF) fixée par le Ministère de la Santé (Canada), Code de sécurité 6. Ces limites font partie des directives globales et des niveaux permis établis d'énergie RF pour l'ensemble de la population.

Ces directives sont basées sur les normes de sécurité fixées antérieurement par les organismes internationaux de normalisation. Ces normes comprennent une marge de sécurité substantielle conçue pour assurer la sécurité de tout le monde, quels que soient l'âge et l'état de santé.

Ce dispositif et son antenne ne doivent pas être placés à proximité d'une autre antenne ou d'un autre émetteur, et ils ne doivent pas fonctionner conjointement avec eux.

Industrie Canada

Este dispositivo cumple con el estándar o los estándares RSS exentos de licencia de Industry Canada. Su utilización está sujeta a las dos condiciones siguientes:

(1) este dispositivo no podrá causar interferencia y

(2) este dispositivo debe aceptar cualquier interferencia, incluyendo interferencia que pueda causar un funcionamiento no deseado del dispositivo.

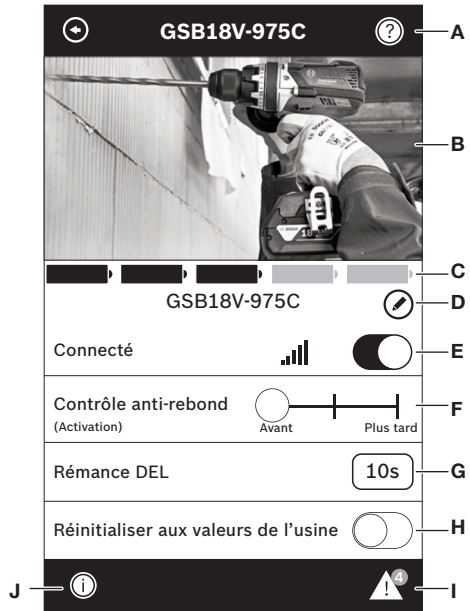
Connectivité

Utilisation de l'appli « Bosch Toolbox » (boîte à outils Bosch)

Après avoir apparié votre outil avec un dispositif mobile, vous pouvez ajuster certaines fonctions ou vérifier le statut de l'outil électrique en utilisant l'appli Bosch Toolbox.

Chaque fois que vous changez un paramètre, l'outil confirmera les changements en faisant clignoter l'éclairage de travail à DEL blanc.

- A. Bouton Help (Aide)** – appuyez sur ce bouton pour afficher l'écran d'aide.
- B. Photo Tool (Outil)** – appuyez sur la photo pour personnaliser la photographie de l'outil.
- C. Statut de charge des piles de l'outil électrique** – le nombre de « piles » vertes indique le niveau de charge estimé pour le bloc-piles.
- D. Surnom de l'outil électrique** – appuyez sur l'icône « crayon » pour personnaliser le surnom de l'outil. Vous pouvez faire la même chose lorsque vous changez la photo de l'outil.
- E. Barre de statut de connexion** – Ici vous pouvez voir la force de la connexion (signal) indiquée par des barres verticales. Vous pouvez utiliser l'interrupteur à bascule pour déconnecter l'outil de votre dispositif mobile.
- F. Glissière de réglage pour Kickback Control (Contrôle des chocs en retour)** – vous pouvez choisir entre trois paramètres : « Earlier » (plus tôt), Middle (intermédiaire, non marqué) et « Later » (plus tard).
- G. Commande de temporisation de l'intensité lumineuse résiduelle à DEL** – vous pouvez régler le nombre de secondes pendant lesquelles la lampe de travail à DEL reste allumée après le relâchement de l'interrupteur à gâchette de l'outil.
- H. Interrupteur à bascule Factory Reset (Réinitialisation usine)** – vous pouvez réinitialiser l'outil en réactivant les paramètres de réglage par défaut qui avaient été fixés à l'usine. Si vous le faites, l'intensité lumineuse résiduelle de la DEL sera réinitialisée à « 10s » et Kickback Control (Contrôle des chocs en retour) sera réinitialisé au paramètre « Later » (Plus tard).
- I. Alertes Tool (Outil)** – Appuyez sur « alerts triangle » (triangle d'alertes) pour afficher toutes les alertes reçues par l'outil.
- J. Bouton Info** – Affiche les informations et spécifications de l'outil.



Consignes de fonctionnement

Serrage des écrous et des boulons

La commande à vitesse variable doit être utilisée soigneusement pour poser des écrous et des boulons avec des accessoires de douille. La technique consiste à commencer lentement, puis à augmenter la vitesse à mesure que l'écrou ou le boulon s'enfonce. Posez l'écrou ou le boulon de manière à obtenir un ajustement doux en ralentissant la perceuse jusqu'à l'arrêt. Si cette technique n'est pas suivie, l'outil aura tendance à tordre dans vos mains lorsque l'écrou ou le boulon se calera.

Perçage

Vous prolongerez la durée de vos forets et accomplirez un travail plus net si vous mettez toujours le foret en contact avec le matériau avant d'appuyer sur la gâchette. Durant le fonctionnement, tenez l'outil fermement et exercez une pression légère et constante. Une trop grande pression à basse vitesse bloquera l'outil. Une pression insuffisante empêchera le foret de couper et causera une friction excessive en glissant par-dessus la surface. L'outil et le foret peuvent ainsi être abîmés.

Perçage à vitesse variable

La gâchette à vitesse variable vous permet d'augmenter lentement le régime. En utilisant une vitesse lente au départ, vous pouvez empêcher le foret d'« errer ». Vous pouvez augmenter la vitesse à mesure que le foret « mord » dans le matériau en appuyant sur la gâchette.

Enfoncement à vitesse variable

Les perceuses à vitesse variable pourront également être utilisées comme visseuses mécaniques en remplaçant la mèche par un embout de tournevis. Avant d'enfoncer des vis, percez des trous pilotes et des trous de dégagement. Placez l'extrémité filetée de la vis dans le trou pilote ou dans le trou de dégagement, et commencez à enfoncer lentement la vis, en augmentant la vitesse au fur et à mesure que la vis s'enfonce. Ralentissez progressivement avant d'arrêter le vissage lorsque la vis est presque complètement enfoncée.

Fixation à l'aide de vis

La procédure illustrée à la Fig. 14 vous permettra d'attacher des matériaux les uns aux autres en vous servant de votre perceuse sans dénuder, écailler ou séparer ces matériaux.

FIXATION À L'AIDE DE VIS

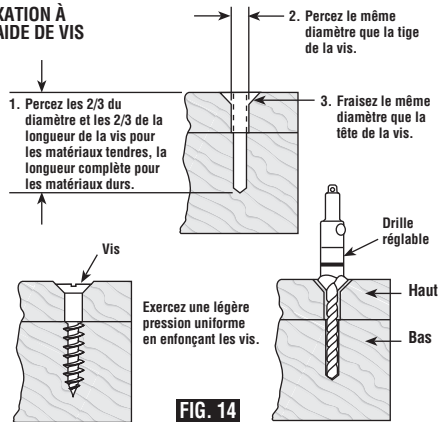


FIG. 14

Commencez pas attacher deux éléments l'un à l'autres au moyen d'une pince de fixation, puis percez un trou de diamètre égal au deux-tiers de celui de la vis. Si le matériau est tendre, ne percez qu'aux deux-tiers de la longueur de la vis. S'il est dur, percez un trou de la longueur de la vis.

Ensuite, retirez la pince de fixation et percez le trou dans le morceau de bois du haut, à nouveau avec un diamètre égal à celui de la tige de la vis.

Enfin, si une vis à tête plate est utilisée, fraisez le trou pour faire en sorte que la tête de la vis soit au ras de la surface. Réalignez les trous dans les deux morceaux de matériau et appliquez une pression uniforme lorsque vous enfoncez la vis. Le trou de dégagement pour la tige de la vis percé initialement permet à la tête de la vis d'attirer à fond les morceaux l'un vers l'autre.

L'accessoire réglable de drille exécutera rapidement et facilement toutes ces opérations. Des drilles sont offertes pour vis de tailles 6, 8, 10 et 12.

Forets

Inspectez toujours les forets pour y relever toute usure excessive. N'utilisez que des forets affilés et en bon état.

FORETS À SIMPLE SPIRALE : Offerts avec tiges droites et réduites pour le perçage du bois et le perçage non exigeant des métaux. Les forets à grande vitesse coupent plus rapidement et durent plus longtemps sur les matériaux durs.

FORETS À POINTE EN CARBURE : S'utilisent pour percer la pierre, le béton, le plâtre, le ciment et les autres matériaux non métalliques exceptionnellement durs. Exercez une forte pression continue d'alimentation lorsque vous employez des forets à pointe en carbure.

Consignes de fonctionnement

Perçage du bois

Assurez-vous que le matériau est assujéti par brides de fixation ou ancré fermement. Exercez toujours une pression en ligne droite avec le foret. Maintenez suffisamment de pression pour que le foret continue à « mordre ».

Vous pouvez utiliser des forets à simple spirale pour percer des trous dans le bois. Ces forets peuvent surchauffer à moins que vous ne les retiriez fréquemment pour enlever les copeaux sur les cannelures.

Utilisez un bloc d'appui en bois pour les matériaux susceptibles de voler en éclats tels que les matériaux minces.

Vous percerez un trou plus net si vous relâchez la pression immédiatement avant que le foret ne traverse le bois. Terminez ensuite le trou à l'arrière.

Perçage des métaux

Il existe deux règles pour percer les matériaux durs. En premier lieu, plus le matériau est dur, plus il vous faut exer-

cer de pression sur l'outil. En deuxième lieu, plus le matériau est dur, plus vous devez percer lentement. Voici quelques conseils pour percer les métaux. Lubrifiez la pointe du foret à l'occasion à l'aide d'huile de coupe, sauf lorsque vous percez des métaux tendres tels que l'aluminium, le cuivre ou la fonte de fer. Si le trou à percer est assez grand, percez d'abord un plus petit trou, puis agrandissez-le aux dimensions nécessaires. C'est souvent plus rapide à long terme. Maintenez suffisamment de pression pour faire en sorte que le foret ne fasse pas seulement tourner dans le trou. Ceci émoussera le foret et réduira considérablement sa vie utile.

Perçage de la maçonnerie

Les matériaux tendres tels que la brique sont relativement faciles à percer. Cependant, le béton nécessitera une pression beaucoup plus grande pour empêcher le foret de tourner. Veillez à utiliser des forets à pointe en carbure pour tout le travail de maçonnerie.

⚠ AVERTISSEMENT Avant d'utiliser un accessoire, assurez-vous que sa vitesse maximale de fonctionnement sûr n'est pas dépassée par la vitesse indiquée sur la plaque signalétique de l'outil. Ne dépassez pas le diamètre recommandé de la meule.

Ponçage et polissage

Le polissage et le ponçage de finition nécessitent une « touche ». Choisissez la vitesse la plus efficace.

En utilisant les bonnets de polissage, assurez-vous toujours que l'excédent de corde qui fixe le bonnet est bien rentré à l'intérieur du bonnet durant le fonctionnement.

Brosses métalliques

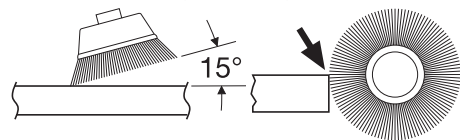
Le travail avec les brosses nécessite des grandes vitesses.

Pression de brossage

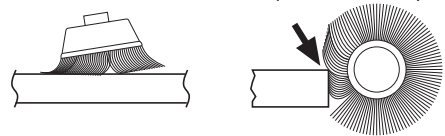
1. Laissez les pointes d'une brosse métallique faire le travail. N'appliquez qu'une pression très légère sur la brosse de sorte que seules les pointes des poils viennent en contact avec la pièce.

2. Si vous appliquez une pression trop importante, les poils seront surchargés, résultant en un balayage de la pièce. Si ceci se prolonge, la durée de vie de la brosse s'en trouvera écourtée à cause de la fatigue des poils.
3. Appliquez la brosse sur la pièce de manière à ce que la plus grande partie possible de sa tranche soit en contact total avec la pièce. Appliquer le côté ou le bord de la brosse sur la pièce résulterait en une cassure des poils et écourterait sa durée de vie.

CORRECT Les pointes des poils font le travail.



INCORRECT Pression excessive risquant de briser les poils.



Entretien

⚠ AVERTISSEMENT

Pour éviter les accidents, débranchez toujours l'outil et/ou le chargeur de la source de courant avant de nettoyer.

Service

⚠ AVERTISSEMENT

IL N'EXISTE À L'INTÉRIEUR AUCUNE PIÈCE SUSCEPTIBLE D'ÊTRE ENTRETENUE PAR L'UTILISATEUR. L'entretien préventif exécuté par des personnes non autorisés peut entraîner un positionnement erroné des composants et des fils internes, ce qui peut présenter de graves dangers. Nous recommandons de confier toute intervention d'entretien sur l'outil à un centre de service-usine Bosch ou à un centre de service après-vente Bosch agréé. **TECHNICIENS :** Débranchez l'outil et/ou le chargeur de la source de courant avant d'entretenir.

Piles

Faire attention aux blocs-piles qui approchent la fin de leur vie. Si vous remarquez une diminution dans les performances de votre outil ou une durée de fonctionnement réduite de manière significative entre charges, il est temps de remplacer le bloc-piles. S'il n'est pas remplacé, il se peut qu'il endommage le chargeur ou que l'outil fonctionne incorrectement.

Graissage de l'outil

Votre outil Bosch a été graissé de manière appropriée et il est prêt à l'usage.

Moteurs

Le moteur de votre outil a été conçu pour de nombreuses heures d'utilisation fiable. Pour maintenir l'efficacité maximale du moteur, nous recommandons de l'examiner tous les six mois. Seul un moteur de remplacement Bosch authentique, conçu spécialement pour votre outil, doit être utilisé.

Nettoyage

⚠ MISE EN GARDE

Certains agents de nettoyages et certains dissolvants abiment les pièces en plastique. Parmi ceux-ci se trouvent: l'essence, le tétrachlorure de carbone, les dissolvants de nettoyage chlorés, l'ammoniaque ainsi que les détergents domestiques qui en contiennent.

Les prises d'air et les leviers de commutation doivent être gardés propres et exempts de corps étrangers. Ne tentez pas de nettoyer en insérant des objets pointus à travers l'ouverture.

Accessoires et attachements

⚠ AVERTISSEMENT





L'utilisation d'autres accessoires ou attachements non spécifiés dans ce mode d'emploi pourrait être dangereuse.

Ranger les accessoires dans un environnement sec et tempéré pour éviter les risques de corrosion et de détérioration.

Équipement standard	Accessoires et attachements en option
<ul style="list-style-type: none"> - Lame de tournevis - Jauge de profondeur - Poignée auxiliaire 	<ul style="list-style-type: none"> - Étui - Module de connectivité GCY42

Símbolos de seguridad

Las definiciones que aparecen a continuación describen el nivel de gravedad de cada palabra de señal de seguridad. Por favor, lea el manual y preste atención a estos símbolos.

	Éste es el símbolo de alerta de seguridad. Se utiliza para alertarle a usted de posibles peligros de lesiones corporales. Obedezca todos los mensajes de seguridad que sigan a este símbolo para evitar posibles lesiones o muerte.
	PELIGRO indica una situación peligrosa que, si no se evita, causará la muerte o lesiones graves.
	ADVERTENCIA indica una situación peligrosa que, si no se evita, podría causar la muerte o lesiones graves.
	PRECAUCIÓN, cuando se utiliza con el símbolo de alerta de seguridad, indica una situación peligrosa que, si no se evita, causará lesiones leves o moderadas.

Advertencias generales de seguridad para herramientas mecánicas

ADVERTENCIA Lea todas las advertencias de seguridad, instrucciones, ilustraciones y especificaciones suministradas con esta herramienta eléctrica. Si no se siguen todas las instrucciones que se indican a continuación, es posible que el resultado sea descargas eléctricas, incendio y/o lesiones graves.

GUARDE TODAS LAS ADVERTENCIAS E INSTRUCCIONES PARA REFERENCIA FUTURA

La expresión "herramienta mecánica" en las advertencias se refiere a su herramienta mecánica alimentada por la red eléctrica (herramienta alámbrica) o su herramienta mecánica alimentada por baterías (herramienta inalámbrica).

1. Seguridad del área de trabajo

- Mantenga el área de trabajo limpia y bien iluminada.** Las áreas desordenadas u oscuras invitan a que se produzcan accidentes.
 - No utilice herramientas mecánicas en atmósferas explosivas, como por ejemplo en presencia de líquidos, gases o polvos inflamables.** Las herramientas mecánicas generan chispas que pueden incendiar el polvo o los vapores.
 - Mantenga alejados a los niños y a las personas que estén presentes mientras esté utilizando una herramienta mecánica.** Las distracciones pueden hacerle perder el control de la herramienta.
- conectadas o puestas a tierra, tales como tuberías, radiadores, estufas y refrigeradores.** Hay un aumento del riesgo de sacudidas eléctricas si el cuerpo del operador se conecta o pone a tierra.
 - No exponga las herramientas mecánicas a la lluvia o a condiciones mojadas.** La entrada de agua en una herramienta mecánica aumentará el riesgo de que se produzcan sacudidas eléctricas.
 - No maltrate el cordón de energía. No use nunca el cordón para transportar la herramienta mecánica, tirar de ella o desenchufarla. Mantenga el cordón alejado del calor, el aceite, los bordes afilados o las piezas móviles.** Los cordones dañados o enganchados aumentan el riesgo de que se produzcan sacudidas eléctricas.
 - Cuando utilice una herramienta mecánica en el exterior, use un cordón de extensión adecuado para uso a la intemperie.** La utilización de un cordón adecuado para uso a la intemperie reduce el riesgo de que se produzcan sacudidas eléctricas.
 - Si es inevitable utilizar una herramienta mecánica en un lugar húmedo, utilice una fuente de energía protegida por un interruptor de circuito accionado por corriente de pérdida a tierra (GFCI).** El uso de un GFCI reduce el riesgo de sacudidas eléctricas.

2. Seguridad eléctrica

- Los enchufes de las herramientas mecánicas deben coincidir con el tomacorriente. No modifique nunca el enchufe de ningún modo. No use enchufes adaptadores con herramientas mecánicas conectadas a tierra (puestas a tierra).** Los enchufes no modificados y los tomacorrientes coincidentes reducirán el riesgo de sacudidas eléctricas.
- Evite el contacto del cuerpo con las superficies**

3. Seguridad personal

- a. **Manténgase alerta, fíjese en lo que está haciendo y use el sentido común cuando esté utilizando una herramienta mecánica. No use una herramienta mecánica cuando esté cansado o bajo la influencia de drogas, alcohol o medicamentos.** Un momento de distracción mientras esté utilizando herramientas mecánicas podría causar lesiones corporales graves.
 - b. **Use equipo de protección personal. Use siempre protección de los ojos.** El equipo de protección, como por ejemplo una máscara antipolvo, calzado de seguridad antideslizante, casco o protección de oídos, utilizado para las condiciones apropiadas, reducirá las lesiones corporales.
 - c. **Evite el arranque accidental. Asegúrese de que el interruptor esté en la posición de apagado antes de conectar la herramienta a la fuente de energía y / o al paquete de batería, levantar la herramienta o transportarla.** Transportar herramientas mecánicas con un dedo en el interruptor o encender herramientas mecánicas que tengan el interruptor en la posición de encendido invita a que se produzcan accidentes.
 - d. **Quite todas las llaves de ajuste o de tuerca antes de encender la herramienta mecánica.** Una llave de tuerca o de ajuste que se deje colocada en una pieza giratoria de la herramienta mecánica podría causar lesiones corporales.
 - e. **No intente alcanzar demasiado lejos. Mantenga un apoyo de los pies y un equilibrio apropiados en todo momento.** Esto permite controlar mejor la herramienta mecánica en situaciones inesperadas.
 - f. **Vístase adecuadamente. No use ropa holgada ni alhajas holgadas. Mantenga el pelo y la ropa alejados de las piezas móviles.** La ropa holgada, las alhajas holgadas o el pelo largo pueden quedar atrapados en las piezas móviles.
 - g. **Si se proporcionan dispositivos para la conexión de instalaciones de extracción y recolección de polvo, asegúrese de que dichas instalaciones estén conectadas y se usen correctamente.** El uso de dispositivos de recolección de polvo puede reducir los peligros relacionados con el polvo.
 - h. **No deje que la familiaridad obtenida con el uso frecuente de las herramientas le haga volverse complaciente e ignorar los principios de seguridad de las herramientas.** Una acción descuidada puede causar lesiones graves en una fracción de segundo.
- b. **No use la herramienta mecánica si el interruptor no la enciende y apaga.** Toda herramienta mecánica que no se pueda controlar con el interruptor es peligrosa y debe ser reparada.
 - c. **Desconecte el enchufe de la fuente de alimentación y/o retire el paquete de batería de la herramienta eléctrica, si es extraíble, antes de hacer cualquier ajuste, cambiar accesorios o almacenar herramientas eléctricas.** Dichas medidas preventivas de seguridad reducen el riesgo de arrancar accidentalmente la herramienta mecánica.
 - d. **Guarde las herramientas que no esté usando fuera del alcance de los niños y no deje que personas que no estén familiarizadas con la herramienta mecánica o con estas instrucciones utilicen la herramienta.** Las herramientas mecánicas son peligrosas en manos de usuarios que no hayan recibido capacitación.
 - e. **Mantenga las herramientas eléctricas y sus accesorios. Compruebe si hay piezas móviles desalineadas o atoradas, si hay piezas rotas y cualquier otra situación que pueda afectar al funcionamiento de la herramienta eléctrica. Si la herramienta eléctrica está dañada, haga que sea reparada antes de utilizarla.** Muchos accidentes son causados por herramientas mecánicas mantenidas deficientemente.
 - f. **Mantenga las herramientas de corte afiladas y limpias.** Es menos probable que las herramientas de corte mantenidas apropiadamente, con bordes de corte afilados, se atoren, y dichas herramientas son más fáciles de controlar.
 - g. **Utilice la herramienta mecánica, los accesorios, las brocas de la herramienta, etc., de acuerdo con estas instrucciones, teniendo en cuenta las condiciones de trabajo y el trabajo que se vaya a realizar.** El uso de la herramienta mecánica para operaciones distintas a aquéllas para las que fue diseñada podría causar una situación peligrosa.
 - h. **Mantenga secos, limpios y libres de aceite y grasa los mangos y las superficies de agarre.** Si están resbalosos, los mangos y las superficies de agarre no permiten un manejo y un control seguros de la herramienta en situaciones inesperadas.

4. Uso y cuidado de las herramientas mecánicas

- a. **No fuerce la herramienta mecánica. Use la herramienta mecánica correcta para la aplicación que desee realizar.** La herramienta mecánica correcta hará el trabajo mejor y con más seguridad a la capacidad nominal para la que fue diseñada.

5. Uso y cuidado de las herramientas alimentadas por baterías

- a. **Recargue las baterías solamente con el cargador especificado por el fabricante.** Un cargador que es adecuado para un tipo de paquete de batería puede crear un riesgo de incendio cuando se utiliza con otro paquete de batería.
- b. **Utilice las herramientas mecánicas solamente con paquetes de batería designados específicamente.** El uso de cualquier otro paquete de batería puede crear un riesgo de lesiones e incendio.
- c. **Cuando el paquete de batería no se esté usando,**

manténgalo alejado de otros objetos metálicos, tales como sujetapapeles, monedas, llaves, clavos, tornillos u otros objetos metálicos pequeños que pueden hacer una conexión de un terminal a otro. Si se cortocircuitan los terminales de la batería uno con otro, se pueden causar quemaduras o un incendio.

- d. En condiciones abusivas, es posible que se eyecte líquido de la batería. Evite el contacto. Si se produce un contacto accidental, enjuáguese con agua. Si el líquido entra en contacto con los ojos, obtenga además ayuda médica.** El líquido que salga eyectado de la batería puede causar irritación o quemaduras.
- e. No utilice un paquete de batería o una herramienta que hayan sido dañados o modificados.** Es posible que las baterías dañadas o modificadas exhiban un comportamiento impredecible que cause un incendio, una explosión o riesgo de lesiones.
- f. No exponga un paquete de batería o una herramienta a un fuego o una temperatura excesiva.** Es posible que la exposición a un fuego o una temperatura superior a 265 °F cause una explosión.

- g. Siga todas las instrucciones de carga y no cargue el paquete de batería ni la herramienta fuera del intervalo de temperatura especificado en las instrucciones.** Es posible que realizar una carga incorrectamente o a temperaturas que estén fuera del intervalo especificado dañe la batería y aumente el riesgo de incendio.

6. Servicio de ajustes y reparaciones

- a. Haga que su herramienta mecánica reciba servicio de un técnico de reparaciones calificado, utilizando únicamente piezas de repuesto idénticas.** Esto asegurará que se mantenga la seguridad de la herramienta mecánica.
- b. No haga nunca servicio de ajustes y reparaciones de paquetes de batería dañados.** El servicio de ajustes y reparaciones de los paquetes de batería deberá ser realizado únicamente por el fabricante o por proveedores de servicio autorizados.

Normas de seguridad para taladros/destornilladores sin cordón

- a. Use protectores de oídos con los taladros de percusión.** La exposición al ruido puede causar pérdida de audición.
- b. Utilice el mango o mangos auxiliares si se suministran con la herramienta.** La pérdida de control puede causar lesiones corporales.
- c. Agarre la herramienta eléctrica por las superficies de agarre con aislamiento cuando realice una operación en la que el accesorio de corte pueda entrar en contacto con cables ocultos.** El accesorio de corte que entre en contacto con un cable que tenga corriente puede hacer que las partes metálicas de la herramienta eléctrica que estén al descubierto tengan corriente y podrían causar una descarga eléctrica al operador.
- d. Use abrazaderas u otro modo práctico de sujetar y soportar la pieza de trabajo en una plataforma estable.** Si se sujeta la pieza de trabajo con la mano o contra el cuerpo, se crea una situación inestable que podría causar pérdida de control.
- e. No taladre, rompa, ni haga trabajo de sujeción en paredes existentes ni en otras áreas ciegas donde pueda haber cables eléctricos.** Si esta situación es inevitable, desconecte todos los fusibles o cortacircuitos que alimentan este sitio de trabajo.
- f. Use protectores de oídos cuando utilice la Use siempre gafas de seguridad o protección de los ojos cuando utilice esta herramienta. Use una máscara antipolvo o un respirador para aplicaciones que generan polvo.**

- g. Use guantes con almohadillado grueso y limite el tiempo de exposición tomando frecuentes períodos de descanso.** La vibración causada por la acción de percusión y taladrado puede ser perjudicial para las manos y los brazos.
- h. Fije el material que se está taladrando. Nunca lo tenga en las manos ni sobre las piernas.** Un soporte inestable puede hacer que la broca taladradora se atasque, causando pérdida de control y lesiones.
- i. Desconecte el paquete de batería de la herramienta antes de realizar cualquier ensamblaje, ajuste o cambio de accesorios.** Dichas medidas preventivas de seguridad reducen el riesgo de arrancar la herramienta accidentalmente.
- j. Sitúese de modo que evite ser atrapado entre la herramienta o el mango lateral y las paredes o los postes.** Si la broca se atasca o se engancha en la pieza de trabajo, el par motor de reacción de la herramienta podría aplastarle la mano o la pierna.
- k. Si la broca se atasca en la pieza de trabajo, suelte el gatillo inmediatamente, invierta el sentido de giro y apriete lentamente el gatillo para sacar la broca.** Está preparado para un fuerte par motor de reacción. El cuerpo del taladro tenderá a torcerse en sentido contrario al del giro de la broca.
- l. No agarre la herramienta ni ponga las manos demasiado cerca del mandril o la broca taladradora que gira.** Podría sufrir laceraciones en la mano.

- m. Al instalar una broca taladradora, introduzca el cuerpo de la broca bien a fondo entre las mordazas del mandril.** Si la broca no se introduce hasta una profundidad suficiente, se reduce el agarre de las mordazas sobre la broca y se aumenta la pérdida de control.
- n. No utilice brocas ni accesorios desafilados o dañados.** Las brocas o accesorios desafilados o dañados tienen mayor tendencia a atascarse en la pieza de trabajo.
- o. Al sacar la broca de la herramienta, evite el contacto con la piel y use guantes protectores adecuados al agarrar la broca o el accesorio.** Los accesorios pueden estar calientes después de un uso prolongado.
- p. Compruebe que las llaves de ajuste y de tuerca se hayan quitado del taladro antes de encender la herramienta.** Las llaves de ajuste o de tuerca pueden salir despedidas a gran velocidad y golpearle a usted o golpear a alguien que se esté presente.
- q. No tenga en marcha la herramienta mientras lo lleva a su lado.** Una broca taladradora que gira podría engancharse en la ropa y producir lesiones.

► Instrucciones de seguridad cuando utilice brocas taladradoras largas

- a. No utilice nunca la herramienta a una velocidad superior a la velocidad nominal máxima de la broca taladradora.** A velocidades más altas es probable que la broca se doble si se deja que rote libremente sin entrar en contacto con la pieza de trabajo, lo cual causará lesiones corporales.
- b. Comience a taladrar siempre a velocidad baja y con la punta de la broca en contacto con la pieza de trabajo.** A velocidades más altas es probable que la broca se doble si se deja que rote libremente sin entrar en contacto con la pieza de trabajo, lo cual causará lesiones corporales.
- c. Aplique presión solamente en línea directa con la broca y no aplique una presión excesiva.** Las brocas se pueden doblar y con ello causar rotura o pérdida de control, lo cual provocará lesiones corporales.

Advertencias de seguridad adicionales

Un GFCI y los dispositivos de protección personal, como guantes de goma y calzado de goma de electricista, mejorarán más su seguridad personal.

No use herramientas mecánicas con capacidad nominal solamente para CA con una fuente de energía de CC. Aunque pueda parecer que la herramienta funciona correctamente, es probable que los componentes eléctricos de la herramienta con capacidad nominal para CA fallen y creen un peligro para el operador.

Mantenga los mangos secos, limpios y libres de aceite y grasa. Las manos resbalosas no pueden controlar de modo seguro la herramienta mecánica.

Desarrolle un programa de mantenimiento periódico de la herramienta. Cuando limpie una herramienta, tenga cuidado de no desmontar ninguna de sus partes, ya que los cables internos podrían reubicarse incorrectamente o pellizcarse, o los resortes de retorno de los protectores de seguridad podrían montarse incorrectamente. Ciertos agentes de limpieza, tales como gasolina, tetracloruro de carbono, amoníaco, etc., podrían dañar las piezas de plástico.

Asegúrese de que el interruptor esté en la posición de apagado antes de introducir el paquete de batería. Si se introduce el paquete de batería en herramientas mecánicas que tengan el interruptor en la posición de encendido, se invita a que se produzcan accidentes.

⚠ ADVERTENCIA **Cierto polvo generado por el lijado, aserrado, amolado y taladrado mecánicos, y por otras actividades de construcción, contiene agentes químicos que se sabe que causan cáncer, defectos de nacimiento u otros daños sobre la reproducción. Algunos ejemplos de estos agentes químicos son:**

- Plomo de pinturas a base de plomo,
- Sílice cristalina de ladrillos y cemento y otros productos de mampostería, y
- Arsénico y cromo de madera tratada químicamente.








Su riesgo por causa de estas exposiciones varía, dependiendo de con cuánta frecuencia realice este tipo de trabajo. Para reducir su exposición a estos agentes químicos: trabaje en un área bien ventilada y trabaje con equipo de seguridad aprobado, como por ejemplo máscaras antipolvo que estén diseñadas especialmente para impedir mediante filtración el paso de partículas microscópicas.

PIENSE EN LA SEGURIDAD

LA SEGURIDAD ES UNA COMBINACIÓN DE SENTIDO COMÚN Y ALERTA POR PARTE DEL OPERADOR EN TODO MOMENTO CUANDO SE ESTÉN USANDO HERRAMIENTAS ELÉCTRICAS.

Símbolos

Importante: Es posible que algunos de los símbolos siguientes se usen en su herramienta. Por favor, estúdielos y aprenda su significado. La interpretación adecuada de estos símbolos le permitirá utilizar la herramienta mejor y con más seguridad.

Símbolo	Désignación / Explicación
V	Volt (tensión)
Ah	Amperios-hora (medición de la capacidad de la batería)
A	Ampere (corriente)
Hz	Hertz (frecuencia, ciclos por segundo)
W	Watt (potencia)
kg	Kilogramo (peso)
min	Minuto (tiempo)
s	Segundo (tiempo)
∅	Diámetro (tamaño de las brocas taladradoras, muelas, etc)
n_0	Velocidad sin carga (velocidad rotacional sin carga)
n	Velocidad nominal (máxima velocidad obtenible)
.../min	Revoluciones o alternación por minuto (revoluciones, golpes, velocidad de superficie, órbitas, etc., por minuto)
0	Posición "off" (velocidad cero, par motor cero...)
1, 2, 3, ... I, II, III,	Graduaciones del selector (graduaciones de velocidad, par motor o posición. Un número más alto significa mayor velocidad)
	Selector infinitamente variable con apagado (la velocidad aumenta desde la graduación de 0)
	Flecha (Acción en la dirección de la flecha)
	Corriente alterna (tipo o una característica de corriente)
	Corriente continua (tipo o una característica de corriente)
	Corriente alterna o continua (tipo o una característica de corriente)
	Construcción de clase II (designa las herramientas de construcción con aislamiento doble)
	Terminal de toma de tierra (terminal de conexión a tierra)

Símbolos

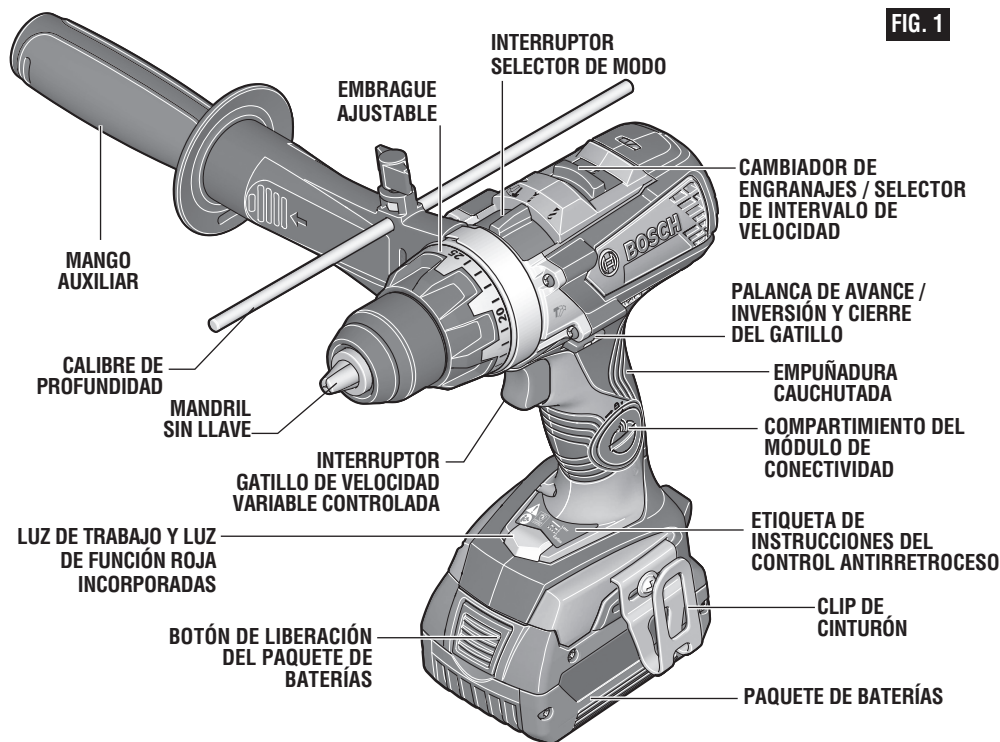
Importante: Es posible que algunos de los símbolos siguientes se usen en su herramienta. Por favor, estúdielos y aprenda su significado. La interpretación adecuada de estos símbolos le permitirá utilizar la herramienta mejor y con más seguridad.

Símbolo	Désignación / Explicación
	Alerta al usuario para que lea el manual.
	Alerta al usuario para que use protección de los ojos.
	Alerta al usuario para que use protección respiratoria
	Alerta al usuario para que use protección de la audición
	Alerta al usuario sobre el uso de protección ocular, respiratoria y auditiva
	Este símbolo indica que esta herramienta está catalogada por Underwriters Laboratories.
	Este símbolo indica que Underwriters Laboratories ha catalogado esta herramienta indicando que cumple con las normas estadounidenses y canadienses.
	Este símbolo indica que esta herramienta está catalogada por la Canadian Standards Association.
	Este símbolo indica que la Canadian Standards Association ha catalogado esta herramienta indicando que cumple con las normas estadounidenses y canadienses.
	Este símbolo indica que Intertek Testing Services ha catalogado esta herramienta indicando que cumple con las normas estadounidenses y canadienses.
	Designa el programa de reciclaje de baterías de Li-ion.

Descripción funcional y especificaciones

ADVERTENCIA Desconecte el paquete de batería de la herramienta antes de realizar cualquier ensamblaje, ajuste o cambio de accesorios. Dichas medidas preventivas de seguridad reducen el riesgo de arrancar la herramienta accidentalmente.

Taladros/destornilladores sin cordón y taladros de percusión sin cordón





NOTA: Para obtener las especificaciones de la herramienta, consulte la placa del fabricante colocada en la herramienta.

Paquetes de batería/Cargadores de baterías:

Sírvase consultar la lista de baterías/cargadores incluidas con su herramienta.

Descripción funcional y especificaciones

Número de modelo	GSR18V-975C, GSR18V-755C	GSB18V-975C, GSB18V-755C
Tensión nominal	18 V 	18 V 
Velocidad sin carga 1	n_0 0-480/min	n_0 0-480/min
Velocidad sin carga 2	n_0 0-2100/min	n_0 0-2100/min
Latidos por minuto	NA	0-31500 bpm
Capacidades máximas		
Tamaño de mandril	1/2"	1/2"
Taladrado en metal suave	1/2"	1/2"
Taladrado en madera	3-1/4"	3-1/4"
Taladrado en mampostería	NA	5/8"
Permitted battery temperature during charging	+32...+113°F (0...+45C)	+32...+113°F (0...+45C)
Permitted ambient temperature during operation and storage	-4...+122°F (-20...+50C)	-4...+122°F (-20...+50C)
Recommended ambient temperature during charging	+32...+95°F (0...+35°C)	+32...+95°F (0...+35°C)
Transmisión de datos (GCY42 instalado)		
Bluetooth®	Bluetooth® 4.1 (baja energía) ^A	Bluetooth® 4.1 (baja energía) ^A
Intervalo de señal, aprox.	8 s	8 s
Alcance de la señal	98 pies máximo ^B	98 pies máximo ^B

^A Los dispositivos de terminal móvil deben ser compatibles con los dispositivos de baja energía Bluetooth® (versión 4.1) y admitir el perfil de acceso genérico (PAG).


^B El alcance de la señal podrá variar enormemente dependiendo de las condiciones externas. El alcance de Bluetooth® podrá ser significativamente más débil dentro de cuartos cerrados y a través de barreras metálicas (p. ej., paredes, estanterías, librerías, etc.).

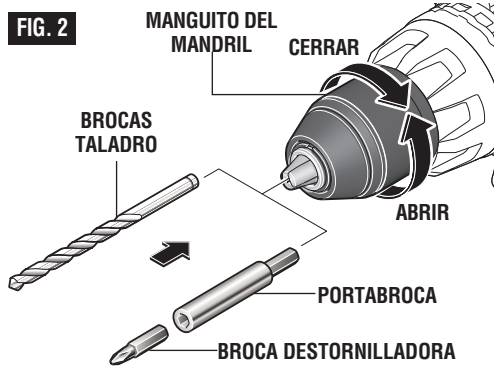
Ensamblaje

⚠ ADVERTENCIA Desconecte el paquete de batería de la herramienta antes de realizar cualquier ensamblaje, ajuste o cambio de accesorios. Dichas medidas preventivas de seguridad reducen el riesgo de arrancar la herramienta accidentalmente.

⚠ ADVERTENCIA No use la potencia del taladro mientras agarra el mandril para aflojar o apretar la broca. Es posible que se produzcan quemaduras por fricción o lesiones en las manos si se intenta agarrar el mandril que gira.

Colocación de las brocas

Mueva la palanca del interruptor de inversión hasta la posición central de "APAGADO". Retire el paquete de batería y ponga el interruptor selector de modo en la posición de taladrado . Gire el manguito del mandril en sentido contrario al de las agujas del reloj según se ve desde el extremo del mandril y abra el mandril hasta aproximadamente el diámetro de la broca taladradora. Introduzca un broca limpia hasta las estrías de la broca taladradora para brocas pequeñas o hasta donde se pueda para brocas grandes. Cierre el mandril girando el manguito del mandril en el sentido de las agujas del reloj y apriételo firmemente a mano (Fig. 2). Retorne el interruptor selector de modo a la posición deseada.



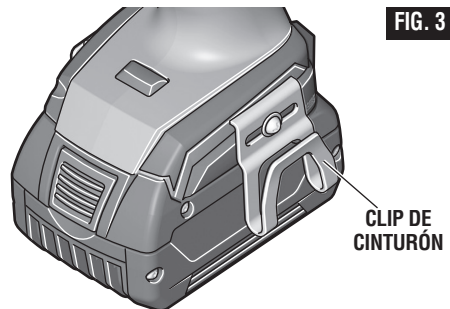
Clip de cinturón

⚠ ADVERTENCIA Cuando la herramienta esté sujeta al cinturón, ubíquese de modo que evite enredarse con los objetos que estén alrededor. Un enredo inesperado podría hacer que la herramienta se caiga, causando lesiones al operador o a las personas que estén presentes.

El clip de cinturón opcional accesorio le permitirá sujetar convenientemente la herramienta a su cinturón. Este dispositivo le permitirá tener libres las dos manos cuando suba a una escalera de mano o se traslade a otra área de trabajo.

El clip de cinturón se puede sujetar a cualquiera de los dos lados de la herramienta fijándolo con un tornillo de montaje. Asegúrese siempre de apretar firmemente el tornillo de montaje antes de usar la herramienta (Fig. 3).

Para usar el clip, ponga la herramienta en posición invertida y sujétela a su cinturón.



Ensamblaje

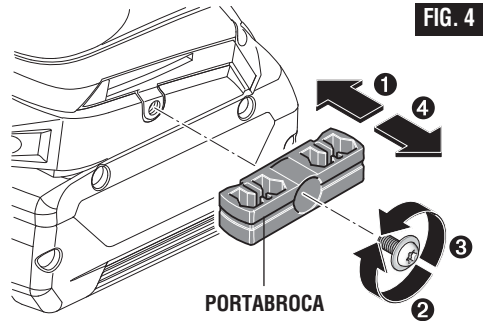
Portapunta de broca

⚠ ADVERTENCIA Almacene **solamente puntas de broca en el portabroca montado en la herramienta**. Las brocas más largas podrían interferir con el funcionamiento apropiado de la herramienta y causar lesiones al usuario.

El portapunta de broca para cuatro piezas se puede utilizar para almacenar convenientemente en la herramienta las brocas que se usan más comúnmente.

Cuando monte el portabroca accesorio, móntelo en el lado del taladro opuesto al clip de cinturón.

Asegúrese siempre de apretar firmemente el tornillo de montaje antes de usar la herramienta (Fig. 4).

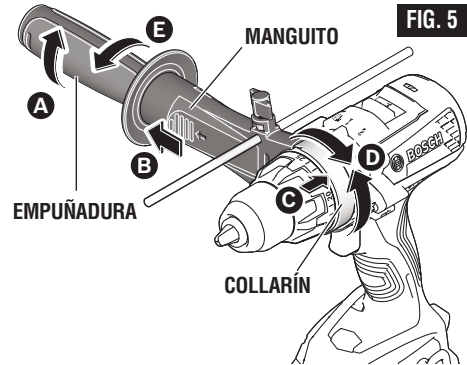


Mango auxiliar

La herramienta se debe soportar con el mango auxiliar durante su utilización.

Para montar el mango auxiliar en la herramienta, afloje la empuñadura (A). Jale el manguito (B) y deslice el collarín sobre la herramienta de la manera que se muestra en la ilustración (C). Bascule el mango hasta la posición deseada (D). Sujete firmemente el mango en esa posición apretando la empuñadura (E). Vea la Fig. 5.

Para retirar el mango para el transporte o almacenamiento, invierta los pasos que anteceden.



Ensamblaje

Instalación del módulo de conectividad GCY42

ADVERTENCIA Para reducir el riesgo de lesiones, lea las instrucciones de utilización incluidas con el módulo de conectividad Bosch GCY42. Las instrucciones de utilización del módulo de conectividad GCY42 incluyen información importante que no se cubre en este manual.

ADVERTENCIA Utilice únicamente una batería de litio de 3 V tipo botón/moneda CR2032. No use ninguna otra batería tipo botón/moneda ni otras formas de alimentación eléctrica.

ADVERTENCIA Asegúrese de que el reemplazo de la batería se realice correctamente. Hay un riesgo de explosión.

ADVERTENCIA Peligro de quemaduras químicas. Mantenga las baterías alejadas de los niños. Este producto contiene una batería de litio tipo botón/moneda. Si una batería de litio tipo botón/moneda nueva o usada se traga o entra en el cuerpo, puede causar quemaduras internas graves y puede provocar la muerte en tan poco tiempo como 2 horas. Si cree que es posible que alguien haya tragado o puesto dentro de cualquier parte del cuerpo una batería, obtenga atención médica de inmediato.

ADVERTENCIA Cierre siempre firmemente el compartimiento del módulo de conectividad. Si el compartimiento del módulo de conectividad no se cierra firmemente, deje de usar el producto, retire la batería y manténgala alejada de los niños.

ADVERTENCIA Cuando deseche baterías, aisle los terminales “+” y “-” con cinta aislante. Cuando las baterías de litio se desechan incorrectamente, es posible que cortocircuiten, lo cual hará que se calienten, revienten o se prendan fuego.

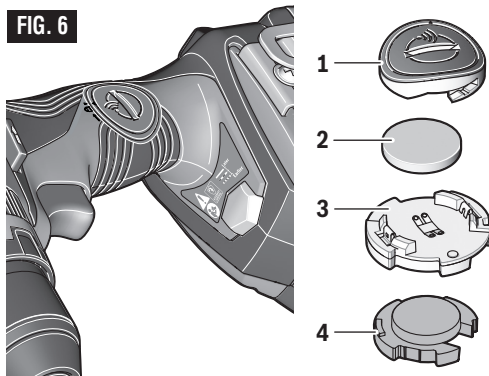
ADVERTENCIA No deseche nunca las baterías en un fuego ni las exponga a calor elevado. Es posible que las baterías exploten.

Si el módulo de conectividad GCY42 no se compra con la herramienta, o si se hace necesario reemplazar el módulo o la batería, por favor, siga este procedimiento (vea la Fig. 6):

- Utilizando un destornillador plano o una moneda, retire la cubierta 1 del lado del mango, girándola 1/4 de vuelta en sentido contrario al de las agujas del reloj.
- Si la herramienta ya está equipada con el módulo de conectividad, retire la batería 2, pero no retire el módulo de conectividad 3.

- Si el módulo de conectividad se instala por primera vez, retire el marcador de posición de plástico 4 del compartimiento del módulo de conectividad y coloque el módulo de conectividad 3 en el compartimiento, prestando atención a la orientación correcta. Nota: Guarde el marcador de posición 4 en un lugar seguro. Reinserte de nuevo el marcador de posición si se retira el módulo de comunicaciones.
- Seguidamente, coloque la batería nueva 2 en la parte de arriba del módulo de conectividad con la polaridad “+” orientada hacia arriba.
- Coloque la cubierta 1 sobre la batería y gírela ¼ de vuelta en el sentido de las agujas del reloj utilizando un destornillador plano o una moneda.

FIG. 6



Instrucciones de funcionamiento

Interruptor gatillo de velocidad variable controlada

La herramienta está provista de un interruptor gatillo de velocidad variable. La herramienta se puede encender (posición "ON") o apagar (posición "OFF") al apretar o soltar el gatillo. La velocidad se puede ajustar desde el valor mínimo hasta el máximo de las RPM nominales mediante la presión ejercida sobre el gatillo. Ejercer más presión para aumentar la velocidad y disminuir la presión para reducir la velocidad (Fig. 1).

Palanca de avance/ inversión y cierre del gatillo

⚠ ADVERTENCIA Después de utilizar la herramienta, fije el gatillo en la posición de apagado ("OFF") para ayudar a evitar los arranques accidentales y la descarga accidental de las baterías.

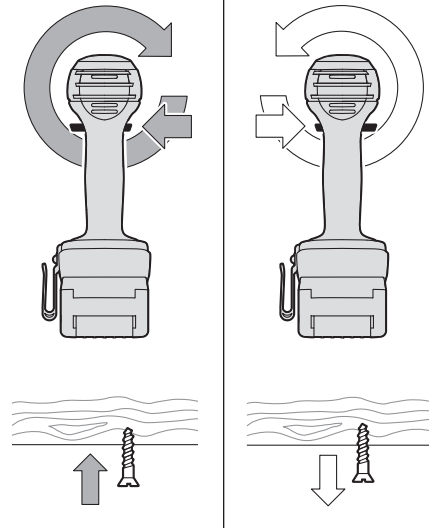
La herramienta está equipada con una palanca de avance/inversión y un cierre del gatillo con ubicación encima del gatillo (Fig. 7). Esta palanca fue diseñada para invertir el sentido de rotación de la broca y para fijar el gatillo en la posición de apagado.

Para la rotación de "Avance" (con el mandril orientado en sentido opuesto a usted), mueva la palanca completamente hacia la izquierda (Fig. 7).

Para la rotación inversa, mueva la palanca completamente hacia la derecha (Fig. 7). Para activar el cierre del gatillo, mueva la palanca hasta la posición central "OFF".

⚠ PRECAUCIÓN No cambie el sentido de giro hasta que la herramienta se haya detenido por completo. El cambio durante el giro del mandril puede causar daños a la herramienta.

FIG. 7

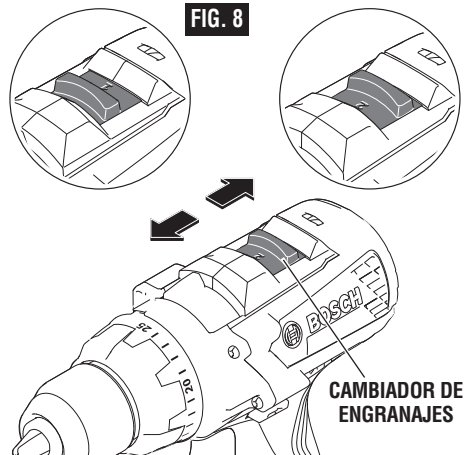


Cambio de engranajes

La herramienta está equipada con dos gamas de velocidad separadas, baja velocidad 1 y alta velocidad 2. La baja velocidad proporciona una fuerza de torsión alta y velocidades de taladrado más lentas para realizar trabajo pesado o apretar tornillos. La alta velocidad proporciona velocidades más rápidas para taladrar cuando se realice trabajo más ligero. Para cambiar las velocidades, deslice el interruptor hasta la posición de alta velocidad 2 o de baja velocidad 1 (Fig. 8).

ATENCIÓN: Si parece que la herramienta está funcionando pero el mandril no gira, asegúrese de que el cambiador de velocidades esté empujado completamente hasta la posición deseada.

FIG. 8



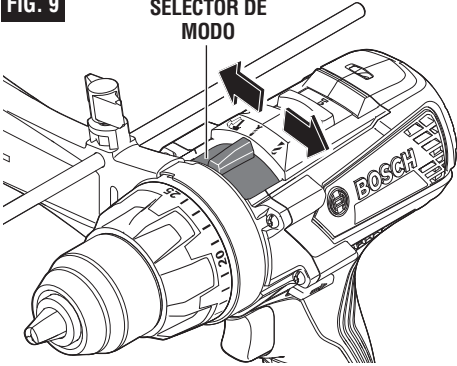
Instrucciones de funcionamiento

Interruptor selector de modo

El interruptor selector de modo permite ajustar la herramienta para diversas operaciones de taladrado o atornillado. Gire el interruptor selector de modo hacia la derecha o hacia la izquierda dependiendo de las aplicaciones que se indican a continuación (Fig. 9).

FIG. 9

INTERRUPTOR
SELECTOR DE
MODO



Acción de taladrado solamente: Este modo fijará el embrague para permitir taladrar y atornillar cuando se realice trabajo pesado, y también permitirá cambiar las brocas rápida y fácilmente en el mandril de apriete sin llave.



Modo de atornillador: Para apretar tornillos, tuercas y pernos con el uso de las posiciones de embrague ajustables.



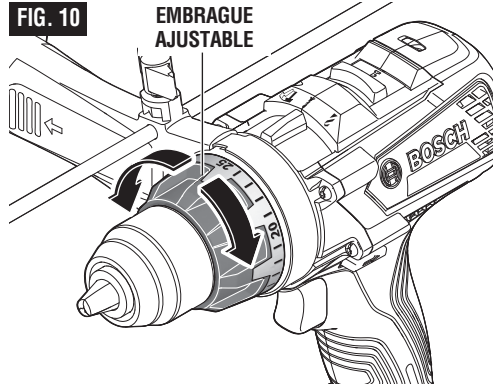
Taladro con acción de percusión (**modelo GSB18V-975C y GSB18V-755C solamente**): Para taladrar en concreto, asfalto, baldosa u otros materiales duros similares. La posición de taladro de percusión anula el embrague para taladrar.

Embrague ajustable

La herramienta cuenta con 25 posiciones de embrague. La fuerza de torsión de salida aumentará a medida que el anillo del embrague se rota de 1 a 25. La herramienta dejará de rotar en cuanto la fuerza de torsión seleccionada se alcance durante su utilización (Fig. 10).

FIG. 10

EMBRAGUE
AJUSTABLE



Freno

Cuando se suelta el interruptor gatillo, éste activa el freno para detener el mandril rápidamente. Esto es especialmente útil para apretar y remover tornillos repetidamente.

Luz de trabajo led incorporada

Su herramienta también está equipada con una luz LED que se enciende automáticamente al activar el interruptor, para ofrecer mejor visibilidad al taladrar/atornillar (Fig. 1). La luz se apaga automáticamente poco después de soltar el gatillo. Usted puede ajustar este intervalo de tiempo utilizando la aplicación Bosch Tool Box. Consulte la sección "Conectividad".

Instrucciones de funcionamiento

Introducción y suelta del paquete de baterías

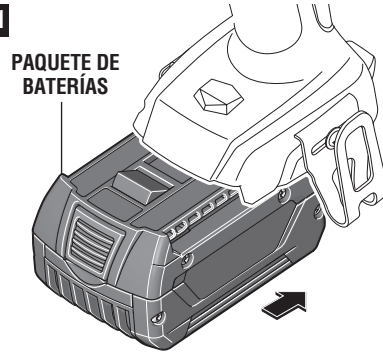
Ponga la palanca de avance/inversión en la posición central (de apagado). Deslice el paquete de baterías cargado al interior de la carcasa hasta que dicho paquete se acople en su sitio (Fig. 11). Para comprobar si la batería está bloqueada en la posición correcta, jálela ligeramente en sentido contrario. Si la batería se mueve, no utilice la herramienta y repita el procedimiento de inserción hasta que la batería esté bloqueada en la posición correcta y no se deslice hacia atrás.

La herramienta está equipada con un pestillo de fijación secundario para impedir que dicho paquete se caiga y salga completamente del mango, en caso de que se afloje debido a la vibración.

Para retirar el paquete de baterías, presione el botón de liberación del paquete de baterías y deslice dicho paquete hacia la parte delantera de la herramienta (Fig. 12).

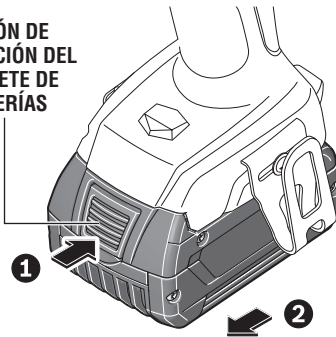
Oprima de nuevo el botón de liberación del paquete de baterías y deslice dicho paquete completamente hacia afuera hasta sacarlo de la carcasa de la herramienta (Fig. 12).

FIG. 11



BOTÓN DE LIBERACIÓN DEL PAQUETE DE BATERÍAS

FIG. 12

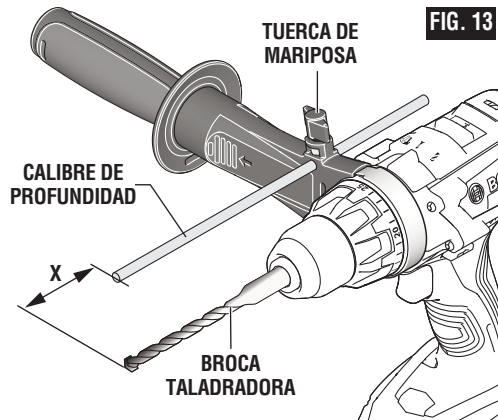


Calibre de profundidad

La profundidad de taladrado se puede preajustar y/o repetir utilizando el calibre de profundidad.

Ajuste de la profundidad: Después de instalar el mango auxiliar, asegúrese de que la broca taladradora se haya insertado completamente en el mandril antes de ajustar el calibre de profundidad.

Para ajustar la profundidad, gire la tuerca de mariposa en sentido contrario al de las agujas del reloj para aflojar el calibre de profundidad, deslice el calibre de profundidad hasta la profundidad deseada X y apriete firmemente la tuerca de mariposa en el sentido de las agujas del reloj (Fig. 13).



Instrucciones de funcionamiento

Protección contra sobrecargas de temperatura

Evite utilizar continuamente herramientas accionadas por batería durante períodos prolongados, mientras somete la herramienta a condiciones de sobrecarga, tales como taladrar con accesorios de diámetro grande en materiales duros. Es posible que la utilización de herramientas accionadas por batería sometiéndolas a cargas extremas haga que la batería exceda su intervalo de temperatura de funcionamiento permisible. Cuando la batería exceda la temperatura de funcionamiento normal por causa de una sobrecarga, es posible que la velocidad de la herramienta se reduzca y que parezca que la herramienta pierde potencia. Para recuperar el rendimiento completo de la herramienta se debe dejar que la batería se enfríe hasta que la temperatura de funcionamiento regrese al nivel normal.

Control antirretroceso (apagado rápido)



Para asegurar un mejor control de la herramienta durante su utilización, esta herramienta está diseñada para apagarse mientras se esté utilizando si ocurre una situación de atoramiento repentino o inesperado. El atoramiento ocurre cuando la broca se engancha durante la utilización, lo cual la fuerza abruptamente a dejar de girar. Si esto sucede, la herramienta se apagará y el control antirretroceso se indicará por medio de luces LED parpadeantes en la herramienta.

El nivel de sensibilidad de esta función es ajustable. Utilizando la aplicación Bosch Toolbox en un dispositivo

móvil, el operador podrá seleccionar una de las tres configuraciones entre los marcadores “Más pronto” y “Más tarde” en la aplicación. La configuración sólo controla la demora en la activación del control antirretroceso y no cambia la capacidad de esta función.

Al presionar el interruptor gatillo, el operador será notificado acerca de la configuración del control antirretroceso por la luz de trabajo y la luz roja de función identificadas en la Fig. 1 de la página 44.

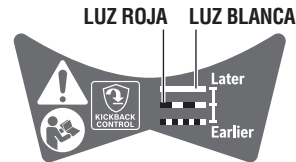
Las indicaciones de configuración son las siguientes:

W Luz blanca continua (W) = Más tarde (activación demorada del control antirretroceso).

RWRW Luz roja (R) y blanca (W) alternando lentamente = Nivel intermedio (activación menos demorada).

RRRRRR Luz roja (R) / blanca (W) alternando rápidamente = Más pronto (demora mínima hasta la activación).

La etiqueta que se encuentra junto a la luz de trabajo muestra el patrón de la luz indicadora de la configuración antirretroceso.



Esta función sólo se puede activar cuando la herramienta esté funcionando a la velocidad máxima.

NOTA: La configuración del control antirretroceso de la herramienta es “Más tarde”. La configuración del control antirretroceso de la herramienta sin el módulo GCY30-4 instalado está ajustada siempre al valor preestablecido.

Conectividad

⚠️ ADVERTENCIA Para reducir el riesgo de lesiones, lea las instrucciones de utilización incluidas con el módulo de conectividad Bosch GCY42. Las instrucciones de utilización del módulo de conectividad GCY30-4 incluyen información importante que no está cubierta en este manual.

BLUETOOTH®

⚠️ ADVERTENCIA No utilice la herramienta eléctrica con Bluetooth® en las proximidades de estaciones de gasolina, plantas químicas, áreas en las que exista peligro de explosión y áreas sujetas a voladuras. No utilice la herramienta eléctrica con Bluetooth® en aviones. No utilice la herramienta eléctrica con Bluetooth® en las inmediaciones de dispositivos médicos. Evite utilizarla en las inmediaciones directas del cuerpo humano durante períodos de tiempo prolongados. Cuando utilice la herramienta eléctrica con Bluetooth®, es posible que ocurra interferencia con otros dispositivos y sistemas, aviones y dispositivos médicos (p. ej., marcapasos cardíacos o audífonos).

La marca denominativa y los logotipos de Bluetooth® son marcas registradas pertenecientes a Bluetooth SIG, Inc., y cualquier uso de dichas marcas por Robert Bosch Tool Corporation es bajo licencia.

⚠️ ADVERTENCIA Siga todas las instrucciones y advertencias suministradas por el fabricante de su dispositivo Bluetooth®. Si no se siguen los procedimientos recomendados, el resultado podría ser lesiones corporales o daños materiales.

⚠️ ADVERTENCIA Tenga precaución extrema cuando esté utilizando dispositivos Bluetooth® para controlar o cambiar las funciones de la herramienta eléctrica. Es posible que la utilización del dispositivo sea en un área distinta a la de la herramienta eléctrica apareada. Puede que los dispositivos apareados tengan funcionalidad que permita la programación de eventos temporizados, incluyendo encendido automático (p. ej., un reflector). Dependiendo de la herramienta eléctrica, estas operaciones o cambios de función desatendidos sin línea de visión directa a la herramienta eléctrica apareada podrían causar lesiones corporales o daños materiales.

⚠️ PRECAUCIÓN Compruebe siempre la configuración de la herramienta antes de utilizarla. Es posible que la configuración sea distinta que cuando la herramienta se utilizó por última vez. El módulo de conectividad permite transferir los datos y la configuración basándose en la tecnología inalámbrica Bluetooth®. Con el módulo instalado, ciertos ajustes selectos de la herramienta podrán ser cambiados

remotamente por un dispositivo Bluetooth® apareado y una aplicación instalada por el usuario.

⚠️ PRECAUCIÓN El módulo de conectividad GCY42 está equipado con una interfaz de radio. Se deberán acatar las restricciones de utilización locales, p. ej., bases militares u hospitales. Los transmisores han demostrado capacidad para interferir accidentalmente con otros dispositivos.

PIENSE EN LA SEGURIDAD

LA SEGURIDAD ES UNA COMBINACIÓN DE SENTIDO COMÚN Y ALERTA POR PARTE DEL OPERADOR EN TODO MOMENTO CUANDO SE ESTÉ USANDO LA HERRAMIENTA.

Precaución de la FCC

El fabricante no es responsable de la interferencia radioeléctrica causada por modificaciones no autorizadas a este equipo. Dichas modificaciones podrían anular la autoridad del usuario para utilizar el equipo.

Este dispositivo cumple con la Parte 15 de las Reglas de la FCC. Su funcionamiento está sujeto a las dos condiciones siguientes:

- 1) Este dispositivo no podrá causar interferencia perjudicial y
- 2) Este dispositivo debe aceptar cualquier interferencia recibida, incluyendo interferencia que pueda causar un funcionamiento no deseado.

¡NOTA! Este equipo ha sido sometido a pruebas y se ha comprobado que cumple con los límites para dispositivos digitales de Clase B, conforme a la Parte 15 de las reglas de la FCC. Estos límites están diseñados para proporcionar una protección razonable contra la interferencia perjudicial en una instalación residencial. Este equipo genera, utiliza y puede emitir energía de radiofrecuencia y, si no se instala y utiliza de acuerdo con las instrucciones, es posible que cause interferencia perjudicial para las radiocomunicaciones. Sin embargo, no hay garantía de que no vaya a ocurrir interferencia en una instalación específica. Si este equipo causa interferencia perjudicial para la recepción de radio o televisión, lo cual se puede determinar apagando y encendiendo el equipo, se insta al usuario a intentar corregir la interferencia mediante una o más de las siguientes medidas:

- Reoriente o reubique la antena receptora.
- Aumente la separación entre el equipo y el receptor.
- Conecte el equipo en un tomacorriente de un circuito distinto al circuito al cual el receptor está conectado.

Conectividad

- Consulte al distribuidor o a un técnico de radio/TV que tenga experiencia para obtener ayuda.

"Exposición a señales de radiofrecuencia (RF): El dispositivo inalámbrico es un radiotransmisor y radiorreceptor. Está diseñado y fabricado para no exceder el límite de emisiones para la exposición a energía de radiofrecuencia (RF) establecido por el Ministerio de Salud (Canadá), Código de Seguridad 6. Estos límites son parte de las directrices exhaustivas y los niveles de energía de RF permitidos que se han establecido para la población general.

Estas directrices se basan en los estándares de seguridad establecidos previamente por los organismos de estándares internacionales. Estos estándares incluyen un margen de seguridad sustancial diseñado para garantizar la seguridad de todas las personas, independientemente de su edad o salud.

Este dispositivo y su antena no deben estar colocados ni funcionando en combinación con ninguna otra antena o transmisor.

Industry Canada

Este dispositivo cumple con el estándar o los estándares RSS exentos de licencia de Industry Canada. Su utilización está sujeta a las dos condiciones siguientes:

- (1) este dispositivo no podrá causar interferencia y
- (2) este dispositivo debe aceptar cualquier interferencia, incluyendo interferencia que pueda causar un funcionamiento no deseado del dispositivo.

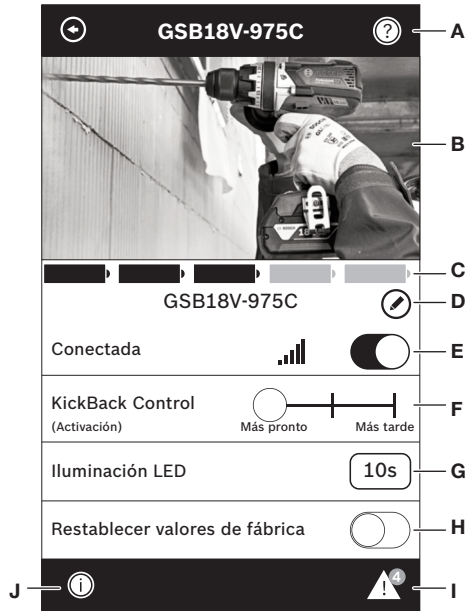
Conectividad

Utilización de la aplicación “Bosch Toolbox”

Después de aparear su herramienta con un dispositivo móvil, puede ajustar ciertas funciones o comprobar el estado de la herramienta eléctrica utilizando la aplicación Bosch Toolbox.

Cada vez que cambie cualquier ajuste, la herramienta confirmará los cambios haciendo parpadear la luz de trabajo LED.

- A. Botón de ayuda:** Al presionar suavemente este botón aparecerá la pantalla de ayuda.
- B. Foto de la herramienta:** Al presionar suavemente en la foto usted podrá personalizar la fotografía de la herramienta.
- C. Estado de carga de la batería de la herramienta eléctrica:** El número de “baterías” verdes indica el nivel de carga estimado del paquete de batería.
- D. Apodo de la herramienta eléctrica:** Al golpear suavemente en el icono de “lápiz” se le permitirá personalizar el apodo de la herramienta. También podrá hacerlo cuando cambie la foto de la herramienta.
- E. Barra de estado de conexión:** Aquí usted puede ver la fuerza de (la señal de) conexión indicada por barras verticales. Puede usar el interruptor basculante para desconectar la herramienta de su dispositivo móvil.
- F. Deslizador de ajuste del control antirretroceso KickBack Control:** Usted puede escoger entre tres configuraciones: “Más pronto”, Intermedio (no marcado) y “Más tarde”.
- G. Temporizador de luminosidad remanente de la iluminación LED:** Usted puede ajustar el número de segundos que la luz de trabajo LED permanecerá encendida después de soltar el interruptor gatillo de la herramienta.
- H. Interruptor basculante para restablecer los valores de fábrica:** Usted puede restablecer la configuración de la herramienta de vuelta a los valores preestablecidos en la fábrica. Cuando lo haga, la iluminación remanente de la luz LED se restablecerá a “10 s” y el control antirretroceso KickBack Control se restablecerá a la configuración “Más tarde”.
- I. Alertas de la herramienta:** Al presionar suavemente el “triángulo de alertas” se mostrará cualquier alerta recibida de la herramienta.
- J. Botón de información:** Muestra la información y las especificaciones de la herramienta.



Consejos de funcionamiento

Apriete de tuercas y pernos

El control de velocidad variable se debe utilizar con precaución para apretar tuercas y pernos con accesorios del juego de tubos. La técnica consiste en empezar despacio, aumentando la velocidad a medida que la tuerca o el perno avanza. Coloque la tuerca o el perno de manera que encaje perfectamente mediante la disminución de la velocidad del taladro hasta que éste se detenga. Si no se sigue este procedimiento, la herramienta tendrá tendencia a experimentar un par motor o a torcerse en las manos cuando la tuerca o el perno se asiente en su sitio.

Taladrado

Usted prolongará la vida de las brocas y realizará un trabajo mejor ejecutado si siempre pone la broca en contacto con la pieza de trabajo antes de apretar el gatillo. Durante el funcionamiento, sujete firmemente la herramienta y ejerza una presión ligera y uniforme. Una presión excesiva a baja velocidad hará que la herramienta se detenga. Una presión demasiado pequeña no permitirá que la broca corte y producirá un exceso de fricción al patinar sobre la superficie. Esto puede ser perjudicial tanto para la herramienta como para la broca.

Taladrado con velocidad variable

El gatillo de velocidad variable le permite a usted aumentar las RPM lentamente. Mediante la utilización de una velocidad inicial lenta, usted puede evitar que la broca se desvíe. Puede aumentar la velocidad apretando el gatillo a medida que la broca se va introduciendo en la pieza de trabajo.

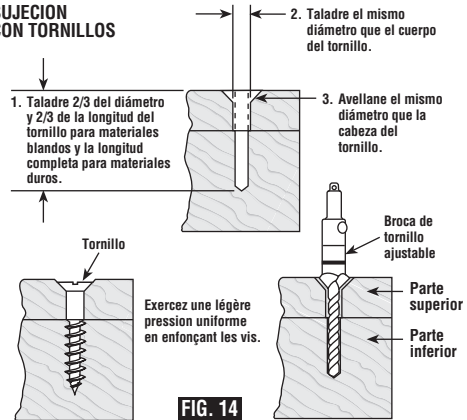
Apriete de tornillos con velocidad variable

Los taladros de velocidad variable sirven también como destornillador eléctrico mediante el uso de una broca atornilladora. Antes de apretar tornillos se deberán taladrar agujeros piloto y de paso. Coloque el extremo roscado del tornillo en el agujero piloto o de paso y comience a apretar el tornillo lentamente, aumentando la velocidad a medida que el tornillo vaya penetrando. Apriete el tornillo hasta que quede perfectamente ajustado, reduciendo la velocidad hasta que el taladro se detenga.

Sujeción con tornillos

El procedimiento mostrado en la Fig. 14 le permitirá sujetar materiales juntos utilizando su taladro sin desforrar, hendir ni separar el material.

SUJECION CON TORNILLOS



Sujete primero las piezas con una o varias abrazaderas de manera que queden juntas y taladre el agujero con 2/3 del diámetro del tornillo. Si el material es blando, taladre solamente 2/3 de la longitud adecuada. Si el material es duro, taladre toda la longitud. Segundo, suelte la abrazadera o las abrazaderas que sujetan las piezas y taladre el agujero en la pieza de madera superior, de nuevo con el mismo diámetro que el vástago del tornillo.

Tercero, si se utiliza un tornillo de cabeza plana, avellane el agujero para hacer que el tornillo quede al ras con la superficie. Realinee los agujeros ubicados en las dos piezas y aplique una presión uniforme cuando apriete el tornillo. El agujero de paso para el vástago del tornillo ubicado en la primera pieza permite que la cabeza del tornillo jale las piezas hasta que estén juntas y firmemente apretadas.

El accesorio de broca de tornillo ajustable realizará todas estas operaciones rápida y fácilmente. Hay brocas de tornillo disponibles para tamaños de tornillo No. 6, 8, 10 y 12.

Brocas para taladro

Inspeccione siempre las brocas para ver si se ha producido un desgaste excesivo. Utilice únicamente brocas que están afiladas y en buenas condiciones.

BROCAS DE ESPIRAL: Disponibles con cuerpos rectos y acortados para taladrado de madera y taladrado ligero de metal. Las brocas de alta velocidad cortan más rápido y duran más en materiales duros.

BROCAS CON PUNTA DE CARBURO: Utilizadas para taladrar piedra, hormigón, escayola, cemento y otros no metales extraordinariamente duros. Utilice una fuerte presión de avance continua cuando emplee brocas con punta de carburo.

Consejos de funcionamiento

Taladrado de madera

Asegúrese de que la pieza de trabajo está fija o sujeta firmemente. Ejerza presión siempre en línea recta con la broca. Mantenga una presión suficiente para que la broca continúe penetrando.

Al taladrar agujeros en madera, se pueden utilizar brocas de espiral. Las brocas de espiral pueden recalentarse a menos que se saquen con frecuencia para quitar las virutas de las estrías.

Utilice un bloque de madera de "refuerzo" para piezas de trabajo que es posible que se astillen, tales como materiales delgados.

Usted taladrará un agujero mejor hecho si disminuye la presión justo antes de que la broca atraviese la madera completamente. Luego, termine el agujero desde la parte posterior.

Taladrado de metal

Hay dos reglas para taladrar materiales duros. Primero, cuanto más duro sea el material, mayor es la presión que

usted necesita ejercer sobre la herramienta. Segundo, cuanto más duro sea el material, más lenta ha de ser la velocidad. He aquí unos cuantos consejos para taladrar metal. Lubrique la punta de la broca de vez en cuando con aceite para cortar, excepto al taladrar metales blandos tales como aluminio, cobre o hierro fundido. Si el agujero que se va a taladrar es bastante grande, primero taladre un agujero más pequeño y luego agrándelo hasta el tamaño requerido; a la larga, esto suele ser más rápido. Mantenga suficiente presión para asegurar que la broca no se limita a dar vueltas sin avanzar dentro del agujero. Esto desafilará la broca y acortará mucho la vida de ésta.

Taladrado de mampostería

Los materiales blandos tales como el ladrillo son relativamente fáciles de taladrar. Sin embargo, el hormigón requerirá mucha más presión para evitar que la broca dé vueltas sin avanzar. Asegúrese de utilizar brocas con punta de carburo para todo el trabajo de mampostería.

⚠ ADVERTENCIA Antes de utilizar un accesorio, asegúrese de que la velocidad especificada en la placa del fabricante de la herramienta no exceda la velocidad máxima de funcionamiento con seguridad de dicho accesorio. No exceda el diámetro de rueda recomendado.

Lijado y pulido

El lijado fino y el pulido requieren "toque". Seleccione la velocidad más eficaz.

Al utilizar bonetes para pulir, asegúrese siempre de que el exceso de cordel que fija el bonete esté bien recogido dentro del bonete durante el funcionamiento.

Escobillas de alambre

El trabajo con escobillas requiere altas velocidades.

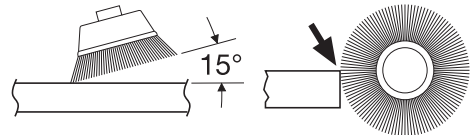
Presión de cepillado

1. Deje que las puntas de un cepillo de alambre hagan el trabajo. Utilice el cepillo con la presión más ligera para que solamente las puntas del alambre entren en contacto con la pieza de trabajo.

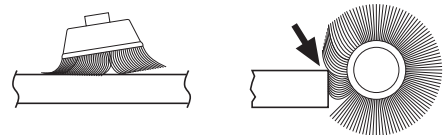
2. Si se utilizan presiones más grandes, se someterá a los alambres a una tensión excesiva, lo cual dará como resultado una acción de barrido, y si se continúa haciendo esto, podrá acortarse la duración del cepillo debido a la fatiga del alambre.

3. Aplique el cepillo a la pieza de trabajo de manera que tanta cara del cepillo como sea posible esté en contacto completo con la pieza de trabajo. La aplicación del lado o del borde del cepillo a la pieza de trabajo causará la rotura del alambre y acortará la duración del cepillo.

CORRECTO: Las puntas de alambre hacen el trabajo.



INCORRECTO: Una presión excesiva puede causar la rotura del alambre.



Mantenimiento

⚠ ADVERTENCIA Para evitar accidentes, desconecte siempre la herramienta y/o el cargador de la fuente de energía antes de la limpieza.

Servicio

⚠ ADVERTENCIA NO HAY PIEZAS EN EL INTERIOR QUE PUEDAN SER AJUSTADAS O REPARADAS POR EL USUARIO. El mantenimiento preventivo realizado por personal no autorizado puede dar lugar a la colocación incorrecta de cables y componentes internos que podría constituir un peligro serio. Recomendamos que todo el servicio de las herramientas sea realizado en un Centro de servicio de fábrica Bosch o en una Estación de servicio Bosch autorizada. **TECNICOS DE REPARACIONES:** Desconecten la herramienta y/o el cargador de la fuente de energía antes de realizar servicio de ajustes y reparaciones.

Baterías

Esté alerta a los paquetes de baterías que estén aproximándose al final de su vida útil. Si observa una disminución del rendimiento de la herramienta o un tiempo de funcionamiento significativamente más corto entre cargas, entonces ha llegado el momento de cambiar el paquete de baterías. Si no se hace esto, el resultado puede ser que la herramienta funcione incorrectamente o que el cargador se dañe.

Lubricación de las herramientas

Su herramienta Bosch ha sido lubricada adecuadamente y está lista para la utilización.

Motores

El motor de la herramienta ha sido diseñado para muchas horas de servicio fiable. Para mantener un rendimiento óptimo del motor, recomendamos que éste sea examinado cada seis meses. Sólo se debe usar un motor de repuesto Bosch genuino diseñado especialmente para la herramienta.

Limpieza

⚠ PRECAUCION Ciertos agentes de limpieza y disolventes dañan las piezas de plástico. Algunos de estos son: gasolina, tetracloruro de carbono, disolventes de limpieza clorados, amoníaco y detergentes domésticos que contienen amoníaco.

Las aberturas de ventilación y las palancas de interruptor deben mantenerse limpias y libres de materias extrañas. No intente limpiar introduciendo objetos puntiagudos a través de las aberturas.

Accesorios y aditamentos

⚠ ADVERTENCIA Es posible que el uso de cualquier otro aditamento o accesorio no especificado en este manual cree un peligro.

Almacene los accesorios en un ambiente seco y templado para evitar la corrosión y el deterioro.

Equipo estándar	Accesorios y aditamentos opcionales
<ul style="list-style-type: none"> - Broca de destornillador - Calibre de profundidad - Mango auxiliar 	<ul style="list-style-type: none"> - Estuche de transporte - módulo de conectividad GCY42

LIMITED WARRANTY OF BOSCH PORTABLE AND BENCHTOP POWER TOOLS

Robert Bosch Tool Corporation ("Seller") warrants to the original purchaser only, that all BOSCH portable and benchtop power tools will be free from defects in material or workmanship for a period of one year from date of purchase. SELLER'S SOLE OBLIGATION AND YOUR EXCLUSIVE REMEDY under this Limited Warranty and, to the extent permitted by law, any warranty or condition implied by law, shall be the repair or replacement of parts, without charge, which are defective in material or workmanship and which have not been misused, carelessly handled, or misrepaired by persons other than Seller or Authorized Service Station. To make a claim under this Limited Warranty, you must return the complete portable or benchtop power tool product, transportation prepaid, to any BOSCH Factory Service Center or Authorized Service Station. For Authorized BOSCH Power Tool Service Stations, please refer to your phone directory.

THIS LIMITED WARRANTY DOES NOT APPLY TO ACCESSORY ITEMS SUCH AS CIRCULAR SAW BLADES, DRILL BITS, ROUTER BITS, JIGSAW BLADES, SANDING BELTS, GRINDING WHEELS AND OTHER RELATED ITEMS.

ANY IMPLIED WARRANTIES SHALL BE LIMITED IN DURATION TO ONE YEAR FROM DATE OF PURCHASE. SOME STATES IN THE U.S., SOME CANADIAN PROVINCES DO NOT ALLOW LIMITATIONS ON HOW LONG AN IMPLIED WARRANTY LASTS, SO THE ABOVE LIMITATION MAY NOT APPLY TO YOU.

IN NO EVENT SHALL SELLER BE LIABLE FOR ANY INCIDENTAL OR CONSEQUENTIAL DAMAGES (INCLUDING BUT NOT LIMITED TO LIABILITY FOR LOSS OF PROFITS) ARISING FROM THE SALE OR USE OF THIS PRODUCT. SOME STATES IN THE U.S. AND SOME CANADIAN PROVINCES DO NOT ALLOW THE EXCLUSION OR LIMITATION OF INCIDENTAL OR CONSEQUENTIAL DAMAGES, SO THE ABOVE LIMITATION OR EXCLUSION MAY NOT APPLY TO YOU.

THIS LIMITED WARRANTY GIVES YOU SPECIFIC LEGAL RIGHTS, AND YOU MAY ALSO HAVE OTHER RIGHTS WHICH VARY FROM STATE TO STATE IN THE U.S., PROVINCE TO PROVINCE IN CANADA AND FROM COUNTRY TO COUNTRY.

THIS LIMITED WARRANTY APPLIES ONLY TO PORTABLE AND BENCHTOP ELECTRIC TOOLS SOLD WITHIN THE UNITED STATES OF AMERICA, CANADA AND THE COMMONWEALTH OF PUERTO RICO. FOR WARRANTY COVERAGE WITHIN OTHER COUNTRIES, CONTACT YOUR LOCAL BOSCH DEALER OR IMPORTER.

GARANTIE LIMITÉE DES OUTILS ÉLECTRIQUES PORTATIFS ET D'ÉTABLI BOSCH

Robert Bosch Tool Corporation (« le vendeur ») garantit à l'acheteur initial seulement que tous les outils électriques portatifs et d'établi BOSCH seront exempts de vices de matériaux ou d'exécution pendant une période d'un an depuis la date d'achat. LA SEULE OBLIGATION DU VENDEUR ET LE SEUL RECOURS DE L'ACHETEUR sous la présente garantie limitée, et en autant que la loi le permette sous toute garantie ou condition implicite qui en découlerait, sera l'obligation de remplacer ou réparer gratuitement les pièces défectueuses matériellement ou comme fabrication, pourvu que lesdites défectuosités ne soient pas attribuables à un usage abusif ou à quelque réparation bricolée par quelqu'un d'autre que le vendeur ou le personnel d'une station-service agréée. Pour présenter une réclamation en vertu de cette garantie limitée, vous devez renvoyer l'outil électrique portatif ou d'établi complet, port payé, à tout centre de service agréé ou centre de service usine. Veuillez consulter votre annuaire téléphonique pour les adresses.

LA PRÉSENTE GARANTIE NE S'APPLIQUE PAS AUX ACCESSOIRES TELS QUE LAMES DE SCIÉS CIRCULAIRES, MÊCHES DE PERCEUSES, FERS DE TOUPIES, LAMES DE SCIÉS SAUTEUSES, COURROIES DE PONÇAGE, MEULES ET AUTRES ARTICLES DU GENRE.

TOUTE GARANTIE IMPLICITE SERA LIMITÉE COMME DURÉE À UN AN À COMPTER DE LA DATE D'ACHAT. CERTAINS ÉTATS AMÉRICAINS, CERTAINES PROVINCES CANADIENNES N'ADMETTANT PAS LE PRINCIPE DE LA LIMITATION DE LA DURÉE DES GARANTIES IMPLICITES, IL EST POSSIBLE QUE LES LIMITATIONS CI-DESSUS NE S'APPLIQUENT PAS À VOTRE CAS.

EN AUCUN CAS LE VENDEUR NE SAURAIT ÊTRE TENU POUR RESPONSABLE DES INCIDENTS OU DOMMAGES INDIRECTES (INCLUANT, MAIS NE SE LIMITANT PAS AUX PERTES DE PROFITS) CONSÉQUENTS À LA VENTE OU L'USAGE DE CE PRODUIT. CERTAINS ÉTATS AMÉRICAINS ET CERTAINES PROVINCES CANADIENNES N'ADMETTANT PAS LE PRINCIPE DE LA LIMITATION NI L'EXCLUSION DES DOMMAGES INDIRECTES ET CONSÉQUENTIELS, IL EST POSSIBLE QUE LES LIMITATIONS OU EXCLUSIONS CI-DESSUS NE S'APPLIQUENT PAS À VOTRE CAS.

LA PRÉSENTE GARANTIE VOUS ACCORDE DES DROITS BIEN DÉTERMINÉS, Y COMPRIS POSSIBLEMENT CERTAINS DROITS VARIABLES DANS LES DIFFÉRENTS ÉTATS AMÉRICAINS, PROVINCES CANADIENNE ET DE PAYS À PAYS.

CETTE GARANTIE LIMITÉE NE S'APPLIQUE QU'ÀUX OUTILS ÉLECTRIQUES PORTATIFS ET D'ÉTABLI VENDUS AUX ÉTATS-UNIS D'AMÉRIQUE, AU CANADA ET AU COMMONWEALTH DE PORTO RICO. POUR COUVERTURE DE GARANTIE DANS LES AUTRES PAYS, CONTACTEZ VOTRE IMPORTATEUR OU REVENDEUR BOSCH LOCAL.

GARANTIA LIMITADA PARA HERRAMIENTAS MECANICAS PORTATILES Y PARA TABLERO DE BANCO BOSCH

Robert Bosch Tool Corporation ("el Vendedor") garantiza, únicamente al comprador original, que todas las herramientas mecánicas portátiles y para tablero de banco BOSCH estarán libres de defectos de material o de fabricación durante un período de un año a partir de la fecha de compra. LA ÚNICA OBLIGACION DEL VENDEDOR Y EL RECURSO EXCLUSIVO QUE USTED TIENE bajo esta Garantía Limitada y, hasta donde la ley lo permita, bajo cualquier garantía o condición implícita por ley, consistirá en la reparación o sustitución sin costo de las piezas que presenten defectos de material o de fabricación y que no hayan sido utilizadas incorrectamente, manejadas descuidadamente o reparadas incorrectamente por personas que no sean el Vendedor o una Estación de servicio autorizada. Para efectuar una reclamación bajo esta Garantía Limitada, usted debe devolver el producto, que consiste en la herramienta mecánica portátil o para tablero de banco completa, con el transporte pagado, a cualquier Centro de servicio de fábrica o Estación de servicio autorizada. Para Estaciones de servicio autorizadas de herramientas mecánicas BOSCH, por favor, consulte el directorio telefónico.

ESTA GARANTIA LIMITADA NO SE APLICA A ARTICULOS ACCESORIOS TALES COMO HOJAS PARA SIERRAS CIRCULARES, BROCAS PARA TALADROS, BROCAS PARA FRESDADORAS, HOJAS PARA SIERRAS DE VAIVEN, CORREAS PARA LIJAR, RUEDAS DE AMOLAR Y OTROS ARTICULOS RELACIONADOS.

TODAS LAS GARANTIAS IMPLICITAS TENDRAN UNA DURACION LIMITADA A UN AÑO A PARTIR DE LA FECHA DE COMPRA. ALGUNOS ESTADOS DE LOS EE.UU. Y ALGUNAS PROVINCIAS CANADIENSES NO PERMITEN LIMITACIONES EN CUANTO A LA DURACION DE UNA GARANTIA IMPLICITA, POR LO QUE ES POSIBLE QUE LA LIMITACION ANTERIOR NO SEA APLICABLE EN EL CASO DE USTED.

EL VENDEDOR NO SERA RESPONSABLE EN NINGUN CASO DE NINGUN DAÑO INCIDENTAL O EMERGENTE (INCLUYENDO PERO NO LIMITADO A RESPONSABILIDAD POR PERDIDA DE BENEFICIOS) QUE SE PRODUZCA COMO CONSECUENCIA DE LA VENTA O UTILIZACION DE ESTE PRODUCTO. ALGUNOS ESTADOS DE LOS EE.UU. Y ALGUNAS PROVINCIAS CANADIENSES NO PERMITEN LA EXCLUSION O LIMITACION DE LOS DAÑOS INCIDENTALES O EMERGENTES, POR LO QUE ES POSIBLE QUE LA LIMITACION O EXCLUSION ANTERIOR NO SEA APLICABLE EN EL CASO DE USTED.

ESTA GARANTIA LIMITADA LE CONFIERE A USTED DERECHOS LEGALES ESPECIFICOS Y ES POSIBLE QUE USTED TAMBIEN TENGA OTROS DERECHOS QUE VARIAN DE ESTADO A ESTADO EN LOS EE.UU., DE PROVINCIA A PROVINCIA EN CANADA Y DE UN PAIS A OTRO.

ESTA GARANTIA LIMITADA SE APLICA SOLAMENTE A HERRAMIENTAS ELECTRICAS PORTATILES Y PARA TABLERO DE BANCO VENDIDAS EN LOS ESTADOS UNIDOS DE AMERICA, CANADA Y EL ESTADO LIBRE ASOCIADO DE PUERTO RICO. PARA COBERTURA DE GARANTIA EN OTROS PAISES, PONGASE EN CONTACTO CON SU DISTRIBUIDOR O IMPORTADOR LOCAL DE BOSCH.

© Robert Bosch Tool Corporation 1800 W. Central Road Mt. Prospect, IL 60056-2230

Exportado por: Robert Bosch Tool Corporation Mt. Prospect, IL 60056-2230, E.U.A.

Importado en México por: Robert Bosch, S.A. de C.V., Calle Robert Bosch No. 405, Zona Industrial, Toluca, Edo. de México, C.P. 50070, Tel. (722) 2792300



2 6 1 0 0 5 6 8 0 9

2610056809 03/21