

IMPORTANT
Read Before Using

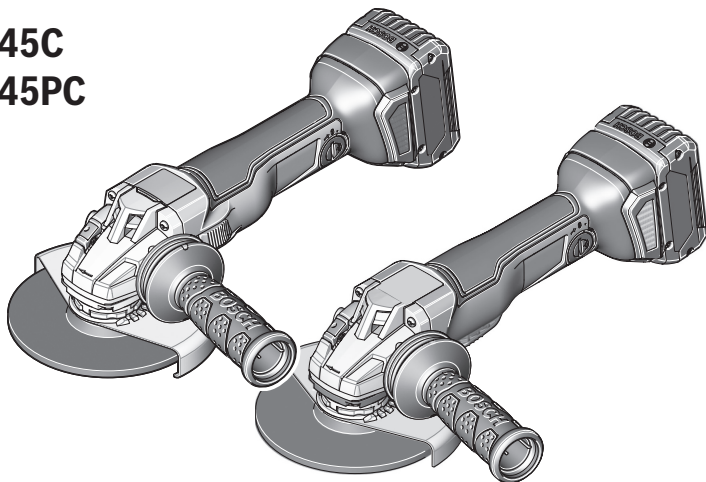
IMPORTANT
Lire avant usage

IMPORTANTE
Leer antes de usar



Operating / Safety Instructions
Consignes d'utilisation/de sécurité
Instrucciones de funcionamiento y seguridad

GWS18V-45C
GWS18V-45PC



BOSCH

Call Toll Free for Consumer Information and Service Locations

Pour obtenir des informations et les adresses de nos centres de service après-vente, appelez ce numéro gratuit
Llame gratis para obtener información para el consumidor y ubicaciones de servicio

1-877-BOSCH99 (1-877-267-2499) www.boschtools.com





For English Version
See page 2

Version française
Voir page 29


Versión en español
Ver la página 56

Safety Symbols

The definitions below describe the level of severity for each signal word.
Please read the manual and pay attention to these symbols.

	This is the safety alert symbol. It is used to alert you to potential personal injury hazards. Obey all safety messages that follow this symbol to avoid possible injury or death.
	DANGER indicates a hazardous situation which, if not avoided, will result in death or serious injury.
	WARNING indicates a hazardous situation which, if not avoided, could result in death or serious injury.
	CAUTION indicates a hazardous situation which, if not avoided, could result in minor or moderate injury.

General Power Tool Safety Warnings

 **Read all safety warnings and all instructions.** Failure to follow the warnings and instructions may result in electric shock, fire and/or serious injury.

SAVE ALL WARNINGS AND INSTRUCTIONS FOR FUTURE REFERENCE

The term “power tool” in the warnings refers to your mains-operated (corded) power tool or battery-operated (cordless) power tool.

Work area safety

Keep work area clean and well lit. Cluttered or dark areas invite accidents.

Do not operate power tools in explosive atmospheres, such as in the presence of flammable liquids, gases or dust. Power tools create sparks which may ignite the dust or fumes.

Keep children and bystanders away while operating a power tool. Distractions can cause you to lose control.

Electrical safety

Power tool plugs must match the outlet. Never modify the plug in any way. Do not use any adapter plugs with earthed (grounded) power tools. Unmodified plugs and matching outlets will reduce risk of electric shock.

Avoid body contact with earthed or grounded surfaces such as pipes, radiators, ranges and refrigerators. There is an increased risk of electric shock if your body is earthed or grounded.

Do not expose power tools to rain or wet conditions. Water entering a power tool will increase the risk of electric shock.

Do not abuse the cord. Never use the cord for carrying, pulling or unplugging the power tool. Keep cord away from heat, oil, sharp edges or moving parts. Damaged or entangled cords increase the risk of electric shock.

When operating a power tool outdoors, use an extension cord suitable for outdoor use. Use of a cord suitable for outdoor use reduces the risk of electric shock.

If operating a power tool in a damp location is unavoidable, use a Ground Fault Circuit Interrupter (GFCI) protected supply. Use of an GFCI reduces the risk of electric shock.

Personal safety

Stay alert, watch what you are doing and use common sense when operating a power tool. Do not use a power tool while you are tired or under the influence of drugs, alcohol or medication. A moment of inattention while operating power tools may result in serious personal injury.

Use personal protective equipment. Always wear eye protection. Protective equipment such as dust mask, non-skid safety shoes, hard hat, or hearing protection used for appropriate conditions will reduce personal injuries.

Prevent unintentional starting. Ensure the switch is in the off-position before connecting to power source and / or battery pack, picking up or carrying the tool. Carrying power tools with your finger on the switch or energizing power tools that have the switch on invites accidents.

Remove any adjusting key or wrench before turning the power tool on. A wrench or a key left attached to a rotating part of the power tool may result in personal injury.

Do not overreach. Keep proper footing and balance at all times. This enables better control of the power tool in unexpected situations.

Dress properly. Do not wear loose clothing or jewelry. Keep your hair, clothing and gloves away from moving parts. Loose clothes, jewelry or long hair can be caught in moving parts.

If devices are provided for the connection of dust extraction and collection facilities, ensure these are connected and properly used. Use of dust collection can reduce dust-related hazards.

Power tool use and care

Do not force the power tool. Use the correct power tool for your application. The correct power tool will do the job better and safer at the rate for which it was designed.

Do not use the power tool if the switch does not turn it on and off. Any power tool that cannot be controlled with the switch is dangerous and must be repaired.

Disconnect the plug from the power source and/or the battery pack from the power tool before making any adjustments, changing accessories, or storing power tools. Such preventive safety measures reduce the risk of starting the power tool accidentally.

Store idle power tools out of the reach of children and do not allow persons unfamiliar with the power tool or these instructions to operate the power tool. Power tools are dangerous in the hands of untrained users.

Maintain power tools. Check for misalignment or binding of moving parts, breakage of parts and any other condition that may affect the power tool's operation. If damaged, have the power tool repaired before use. Many accidents are caused by poorly maintained power tools.

Keep cutting tools sharp and clean. Properly maintained cutting tools with sharp cutting edges are less likely to bind and are easier to control.

Use the power tool, accessories and tool bits etc. in accordance with these instructions, taking into account the working conditions and the work to be performed. Use of the power tool for operations different from those intended could result in a hazardous situation.

Battery tool use and care

Recharge only with the charger specified by the manufacturer. A charger that is suitable for one type of battery pack may create a risk of fire when used with another battery pack.

Use power tools only with specifically designated battery packs. Use of any other battery packs may create a risk of injury and fire.

When battery pack is not in use, keep it away from other metal objects like paper clips, coins, keys, nails, screws, or other small metal objects that can make a connection from one terminal to another. Shorting the battery terminals together may cause burns or a fire.

Under abusive conditions, liquid may be ejected from the battery, avoid contact. If contact accidentally occurs, flush with water. If liquid contacts eyes, additionally seek medical help. Liquid ejected from the battery may cause irritation or burns.

Service

Have your power tool serviced by a qualified repair person using only identical replacement parts. This will ensure that the safety of the power tool is maintained.

Power Tool-Specific Safety Warnings

Safety Warnings Common for Grinding, Sanding, Wire Brushing, and Abrasive Cutting-Off Operations:

This power tool is intended to function as a grinder, sander, wire brush or cut-off tool. **Read all safety warnings, instructions, illustrations and specifications provided with this power tool.** Failure to follow all instructions listed below may result in electric shock, fire and/or serious injury.

Operations such as polishing is not recommended to be performed with this power tool. Operations for which the power tool was not designed may create a hazard and cause personal injury.

Do not use accessories which are not specifically designed and recommended by the tool manufacturer. Just because the accessory can be attached to your power tool, it does not assure safe operation.

The rated speed of the accessory must be at least equal to the maximum speed marked on the power tool. Accessories running faster than their RATED SPEED can break and fly apart.

The outside diameter and the thickness of your accessory must be within the capacity rating of your power tool. Incorrectly sized accessories cannot be adequately guarded or controlled.

Threaded mounting of accessories must match the GRINDER spindle thread. For accessories mounted by FLANGES, the arbour hole of the accessory must fit the locating diameter of the FLANGE. Accessories that do not match the mounting hardware of the power tool will run out of balance, vibrate excessively and may cause loss of control.

Do not use a damaged accessory. Before each use inspect the accessory such as abrasive wheels for chips and cracks, backing pad for cracks, tear or excess wear, wire brush for loose or cracked wires. If power tool or accessory is dropped, inspect for damage or install an undamaged accessory. After inspecting and installing an accessory, position yourself and bystanders away from the plane of the rotating accessory and run the power tool at maximum no-load speed for one minute. Damaged accessories will normally break apart during this test time.

Wear personal protective equipment. Depending on application, use face shield, safety goggles or safety glasses. As appropriate, wear dust mask, hearing protectors, gloves and workshop apron capable of stopping small abrasive or workpiece fragments. The eye protection must be capable of stopping flying debris generated by various operations. The dust mask or respirator must be capable of filtering particles generated by your operation. Prolonged exposure to high intensity noise may cause hearing loss.

Keep bystanders a safe distance away from work area. Anyone entering the work area must wear personal protective equipment. Fragments of workpiece or of a broken accessory may fly away and cause injury beyond immediate area of operation.

Hold the power tool by insulated gripping surfaces only, when performing an operation where the cutting accessory may contact hidden wiring. Cutting accessory contacting a "live" wire may make exposed metal parts of the power tool "live" and could give the operator an electric shock.

Never lay the power tool down until the accessory has come to a complete stop. The spinning accessory may grab the surface and pull the power tool out of your control.

Do not run the power tool while carrying it at your side. Accidental contact with the spinning accessory could snag your clothing, pulling the accessory into your body.

Regularly clean the power tool's air vents. The motor's fan will draw the dust inside the housing and excessive accumulation of powdered metal may cause electrical hazards.

Do not operate the power tool near flammable materials. Sparks could ignite these materials.

Do not use accessories that require liquid coolants. Using water or other liquid coolants may result in electrocution or shock.

Kickback and Related Warnings

Kickback is a sudden reaction to a pinched or snagged rotating wheel, backing pad, brush or any other accessory. Pinching or snagging causes rapid stalling of the rotating accessory which in turn causes the uncontrolled power tool to be forced in the direction opposite of the accessory's rotation at the point of the binding.

For example, if an abrasive wheel is snagged or pinched by the workpiece, the edge of the wheel that is entering into the pinch point can dig into the surface of the material causing the wheel to climb out or kickout. The wheel may either jump toward or away from the operator, depending on direction of the wheel's movement at the point of pinching. Abrasive wheels may also break under these conditions.

Kickback is the result of power tool misuse and/or incorrect operating procedures or conditions and can be avoided by taking proper precautions as given below.

Maintain a firm grip on the power tool and position your body and arm to allow you to resist kickback forces. Always use auxiliary handle, if provided, for maximum control over kickback or torque reaction during start-up. The operator can control torque reactions or kickback forces, if proper precautions are taken.

Never place your hand near the rotating accessory. Accessory may kickback over your hand.

Do not position your body in the area where power tool will move if kickback occurs. Kickback will propel the tool in direction opposite to the wheel's movement at the point of snagging.

Use special care when working corners, sharp edges etc. Avoid bouncing and snagging the accessory. Corners, sharp edges or bouncing have a tendency to snag the rotating accessory and cause loss of control or kickback.

Do not attach a saw chain woodcarving blade or toothed saw blade. Such blades create frequent kickback and loss of control.

Safety Warnings Specific for Grinding and Abrasive Cutting-Off Operations:

Use only wheel types that are recommended for your power tool and the specific guard designed for the selected wheel. Wheels for which the power tool was not designed cannot be adequately guarded and are unsafe.

The grinding surface of centre depressed wheels must be mounted below the plane of the guard lip. An improperly mounted wheel that projects through the plane of the guard lip cannot be adequately protected.

The guard must be securely attached to the power tool and positioned for maximum safety, so the least amount of wheel is exposed towards the operator. The guard helps to protect operator from broken wheel fragments, accidental contact with wheel and sparks that could ignite clothing.

Wheels must be used only for recommended applications. For example: do not grind with the side of cut-off wheel. Abrasive cut-off wheels are intended for peripheral grinding, side forces applied to these wheels may cause them to shatter.

Always use undamaged wheel flanges that are of correct size and shape for your selected wheel. Proper wheel flanges support the wheel thus reducing the possibility of wheel breakage. Flanges for cut-off wheels may be different from grinding wheel flanges.

Do not use worn down wheels from larger power tools. Wheel intended for larger power tool is not suitable for the higher speed of a smaller tool and may burst.

Additional Safety Warnings Specific for Abrasive Cutting-Off Operations:

Do not "jam" the cut-off wheel or apply excessive pressure. Do not attempt to make an excessive depth of cut. Overstressing the wheel increases the loading and susceptibility to twisting or binding of the wheel in the cut and the possibility of kickback or wheel breakage.

Do not position your body in line with and behind the rotating wheel. When the wheel, at the point of operation, is moving away from your body, the possible kickback may propel the spinning wheel and the power tool directly at you.

When wheel is binding or when interrupting a cut for any reason, switch off the power tool and hold the power tool motionless until the wheel comes to a complete stop. Never attempt to remove the cut-off wheel from the cut while the wheel is in motion otherwise kickback may occur. Investigate and take corrective action to eliminate the cause of wheel binding.

Do not restart the cutting operation in the workpiece. Let the wheel reach full speed and carefully reenter the cut. The wheel may bind, walk up or kickback if the power tool is restarted in the workpiece.

Support panels or any oversized workpiece to minimize the risk of wheel pinching and kickback. Large workpieces tend to sag under their own weight. Supports must be placed under the workpiece near the line of cut and near the edge of the workpiece on both sides of the wheel.

Use extra caution when making a "pocket cut" into existing walls or other blind areas. The protruding wheel may cut gas or water pipes, electrical wiring or objects that can cause kickback.

Do not use type 1 abrasive wheels designed for straight grinding.

Do not attempt to cut large stock or sheets of metal as this machine is not designed to be a dedicated cut-off machine.

Safety Warnings Specific for Sanding Operations:

Do not use excessively oversized sanding disc paper. Follow manufacturer's recommendations, when selecting sanding paper. Larger sanding paper extending beyond the sanding pad presents a laceration hazard and may cause snagging, tearing of the disc or kickback.

Safety Warnings Specific for Wire Brushing Operations:

Be aware that wire bristles are thrown by the brush even during ordinary operation. Do not overstress the wires by applying excessive load to the brush. The wire bristles can easily penetrate light clothing and/or skin.

If the use of a guard is recommended for wire brushing, do not allow any interference of the wire wheel or brush with the guard. Wire wheel or brush may expand in diameter due to work load and centrifugal forces.

Additional Safety Warnings

Do not use AC only rated tools with a DC power supply. While the tool may appear to work, the electrical components of the AC rated tool are likely to fail and create a hazard to the operator.

Keep handles dry, clean and free from oil and grease. Slippery hands cannot safely control the power tool.

Use clamps or other practical way to secure and support the workpiece to a stable platform. Holding the work by hand or against your body is unstable and may lead to loss of control.

Develop a periodic maintenance schedule for your tool. When cleaning a tool be careful not to disassemble any portion of the tool since internal wires may be misplaced or pinched or safety guard return springs may be improperly mounted. Certain cleaning agents such as gasoline, carbon tetrachloride, ammonia, etc. may damage plastic parts.

Do not use vacuum or other dust collection system when cutting metal. Sparks from metal cutting can cause fire in the collector.





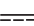




⚠ WARNING Some dust created by power sanding, sawing, grinding, drilling, and other construction activities contains chemicals known to cause cancer, birth defects or other reproductive harm. Some examples of these chemicals are:

- Lead from lead-based paints,
- Crystalline silica from bricks and cement and other masonry products, and
- Arsenic and chromium from chemically-treated lumber.

Your risk from these exposures varies, depending on how often you do this type of work. To reduce your exposure to these chemicals: work in a well ventilated area, and work with approved safety equipment, such as those dust masks that are specially designed to filter out microscopic particles.












Symbols

IMPORTANT: Some of the following symbols may be used on your tool. Please study them and learn their meaning. Proper interpretation of these symbols will allow you to operate the tool better and safer.

Symbol	Designation / Explanation
V	Volts (voltage)
A	Amperes (current)
Hz	Hertz (frequency, cycles per second)
W	Watt (power)
kg	Kilograms (weight)
min	Minutes (time)
s	Seconds (time)
	Diameter (size of drill bits, grinding wheels, etc.)
n_0	No load speed (rotational speed at no load)
n	Rated speed (maximum attainable speed)
.../min	Revolutions or reciprocation per minute (revolutions, strokes, surface speed, orbits etc. per minute)
0	Off position (zero speed, zero torque...)
1, 2, 3, ... I, II, III,	Selector settings (speed, torque or position settings. Higher number means greater speed)
	Infinately variable selector with off (speed is increasing from 0 setting)
	Arrow (action in the direction of arrow)
	Alternating current (type or a characteristic of current)
	Direct current (type or a characteristic of current)
	Alternating or direct current (type or a characteristic of current)
	Class II construction (designates double insulated construction tools)
	Earthing terminal (grounding terminal)
	Warning symbol (alerts user to warning messages)

Symbols (continued)

IMPORTANT: Some of the following symbols may be used on your tool. Please study them and learn their meaning. Proper interpretation of these symbols will allow you to operate the tool better and safer.

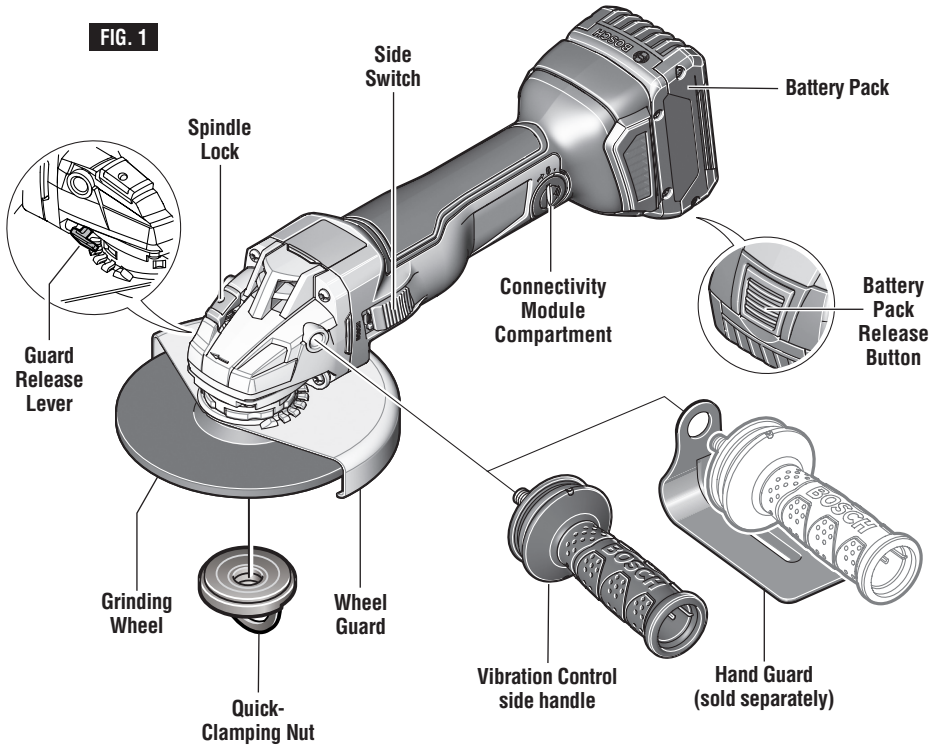
Symbol	Designation / Explanation
	Alerts user to read manual
	Alerts user to wear eye protection
	Alerts user to wear respiratory protection
	Alerts user to wear hearing protection
	This symbol designates that this tool is listed by Underwriters Laboratories.
	This symbol designates that this tool is listed by Underwriters Laboratories, to United States and Canadian Standards.
	This symbol designates that this tool is listed by the Canadian Standards Association.
	This symbol designates that this tool is listed by the Canadian Standards Association, to United States and Canadian Standards.
	This symbol designates that this tool is listed by the Intertek Testing Services, to United States and Canadian Standards.
	This symbol designates that this tool complies to NOM Mexican Standards.
	Designates Li-ion battery recycling program

Functional Description and Specifications



WARNING Disconnect battery pack from tool before making any assembly, adjustments or changing accessories. Such preventive safety measures reduce the risk of starting the tool accidentally.

GWS18V-45C Cordless Angle Grinder with Side Switch



Battery Packs / Chargers:

Please refer to the battery/charger list, included with your tool.

NOTE: For tool specifications refer to the nameplate on your tool.
Accessory speed rating must be equal to or greater than the tool's speed rating.
Do not exceed the recommended wheel diameter.

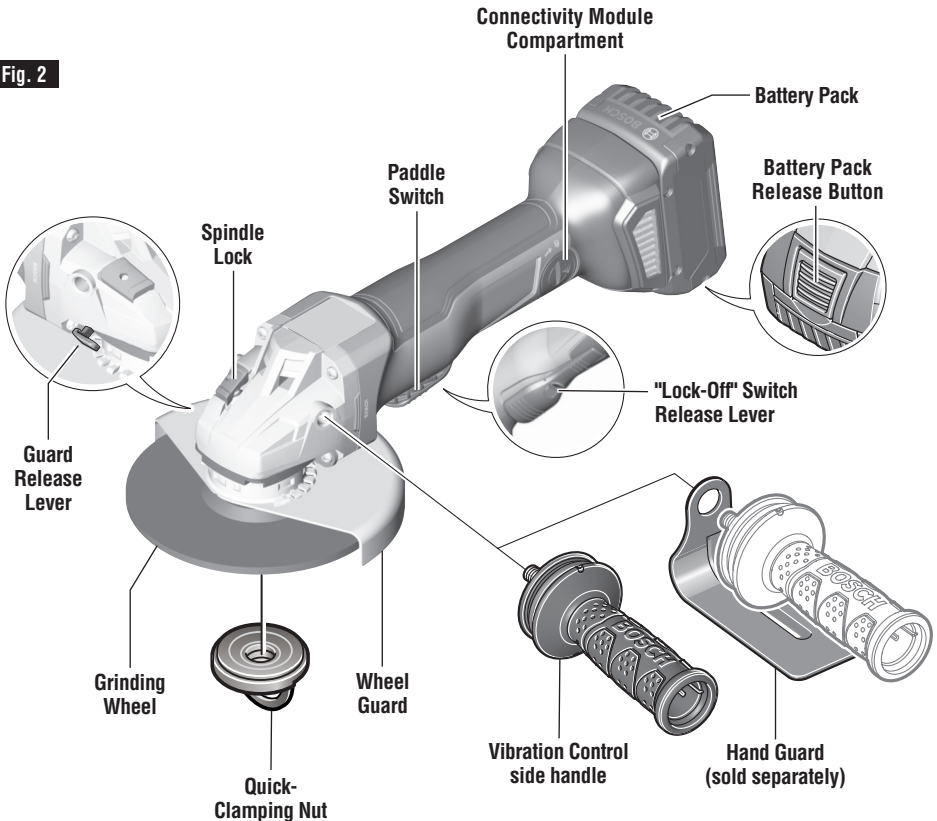
NOTE: Not recommended for use with type 11 cup wheels.

Functional Description and Specifications

⚠ WARNING Disconnect battery pack from tool before making any assembly, adjustments or changing accessories. Such preventive safety measures reduce the risk of starting the tool accidentally.

GWS18V-45PC Cordless Angle Grinder with Paddle Switch

Fig. 2



Battery Packs / Chargers:

Please refer to the battery/charger list, included with your tool.

NOTE: For tool specifications refer to the nameplate on your tool.
Accessory speed rating must be equal to or greater than the tool's speed rating.
Do not exceed the recommended wheel diameter.

NOTE: Not recommended for use with type 11 cup wheels.

Functional Description and Specifications

⚠ WARNING Disconnect battery pack from tool before making any assembly, adjustments or changing accessories. Such preventive safety measures reduce the risk of starting the tool accidentally.

Model number	GWS18V-45C	GWS18V-45PC
Battery	18V (Bosch Series)	18V (Bosch Series)
Rated speed	n 9,000/min	n 9,000/min
Switch Type	Side	Paddle
Run-Down Brake	Included	Included
Connectivity module	Sold separately	Sold separately
Spindle thread	5/8"-11 UNC	5/8"-11 UNC
Max. spindle length	9/16" (14,3 mm)	9/16" (14,3 mm)
Max.Type 27 grinding wheel Ø	4 1/2" - 5" (115mm - 125mm)	4 1/2" - 5" (115mm - 125mm)
Type 27 grinding wheel thickness	1/8" - 1/4" (3mm - 6mm)	1/8" - 1/4" (3mm - 6mm)
Max.Type 41/1A, 27A cutting wheel Ø	4 1/2" - 5" (115mm - 125mm)	4 1/2" (115 mm)
Max. flap disc Ø	4 1/2" - 5" (115mm - 125mm)	4 1/2" (115 mm)
Max. sanding disc Ø	4 1/2" - 5" (115mm - 125mm)	4 1/2" (115 mm)
Max. wire wheel Ø	4" - 4 1/2" (102mm - 115mm)	4" - 4 1/2" (102mm - 115mm)
Max. wire cup brush Ø	3" (76 mm)	3" (76 mm)

Assembly

⚠ WARNING Disconnect battery pack from tool before making any assembly, adjustments or changing accessories. Such preventive safety measures reduce the risk of starting the tool accidentally.

Inserting and Releasing Battery Pack

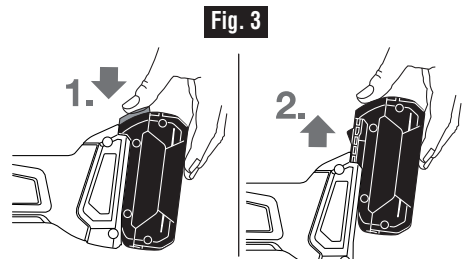
This tool is equipped with Automatic Restart Protection. This feature helps prevent accidental startups after power has been interrupted, e.g. the battery was removed with the switch locked in the on position. To resume operation, turn the side switch to the off position, and back to on position to restart the tool.

Make sure that the side switch (Fig. 1) is in the off position before inserting or removing battery pack. To insert the battery pack slide it into the housing until the battery pack locks into position.

Your tool is equipped with a secondary locking latch to prevent the battery pack from completely falling out of the handle, should it become loose due to vibration.

To remove the battery pack, press the battery pack release button and slide the battery pack forward.

Press the battery pack release button again and slide the battery pack completely out of tool housing (Fig. 3).



Assembly

Wheel Guard Installation

⚠ WARNING Wheel guard must be attached when using disc grinding or cutting wheels. Always keep wheel guard between you and your work while grinding or cutting.

To attach wheel guard: Disconnect battery pack from tool.

Press and hold the release lever (Fig. 4), and place the guard on the guard mounting flange until the guard's keys line up with the notches in the spindle collar (Fig. 4A).

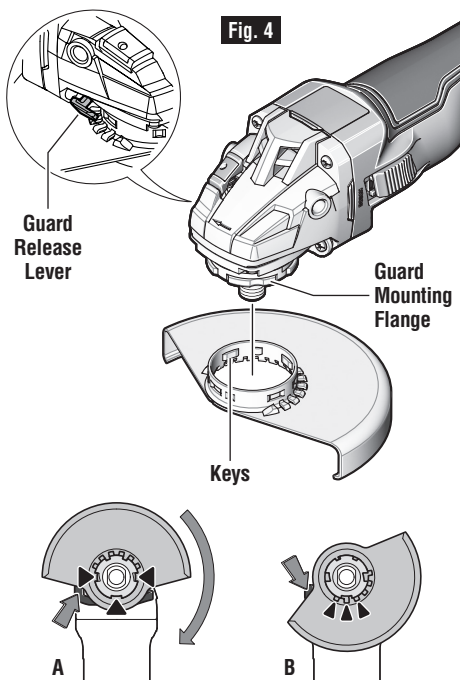
Press the guard onto the guard mounting flange until the shoulder of the guard is seated against the flange of the tool, and turn the guard until it can clearly be heard to engage.

Adjust the position of the guard to the requirements of the work process. For this, press the release lever upward and turn the guard until it clicks into place then adjust as needed.

- Always adjust the guard in such a manner that all 3 red cams of release lever engage into the corresponding notches of the guard (Fig. 4B).
- Adjust the guard in such a manner that sparking is prevented in the direction of the operator.
- The guard should turn only upon actuation of the release lever! Otherwise the tool may not continue to be used under any circumstances and must be taken to an after-sales service agent.

Note: The encoding keys on the guard ensure that only a guard that fits the tool type can be mounted.

To remove guard: Press release lever, rotate guard until the keys on guard line up with the notches on the guard mounting flange, and lift guard off the guard mounting flange (Fig. 4).



Assembly

Vibration Control Side Handle

The side handle is used to control and balance the tool. The handle must be threaded into the front housing on either side of the tool, depending on personal preference and comfort. Use the side handle for safe control and ease of operation (Fig. 1).

Hand Guard (sold separately)

The hand guard is to be used with backing pads, sanding discs and wire brushes to keep fingers and hand away from work surface, sharp edges, burrs and debris. When using the hand guard accessory (sold separately), insert side handle through hole in guard and then thread into housing (Fig. 1).

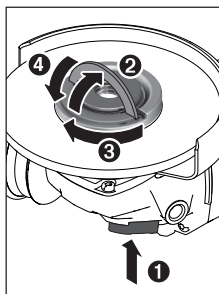
Ensure that hand guard is positioned between hand and backing pad, sanding disc or wire brush.

Quick-Clamping Nut

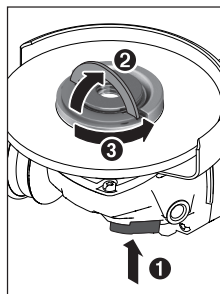
Use the quick-clamping nut to secure the grinding/cutting disc without the need for additional tools. Only use the quick-clamping nut for grinding/cutting discs up to a maximum diameter of 4 1/2".

- **The quick-clamping nut may be used only for grinding or cutting discs.**
- **Only use quick-clamping nuts that are in good working order and not damaged.**
- **When screwing on, make sure that the printed side of the quick-clamping nut is not facing the grinding disc.**

Press the spindle lock button to lock the grinding spindle. To tighten the quick-clamping nut, fold up the bar and turn the quick-clamping nut firmly clockwise. Then fold down the bar to secure the quick-clamping nut. It is not sufficient to tighten the disc along the edge.



A properly secured, undamaged quick-clamping nut can be removed by hand. To do this, fold up the bar and turn the quick-clamping nut firmly anticlockwise. If the quick-clamping nut is stuck, do not attempt to loosen it with a tool – always use a two pin spanner.



⚠ WARNING Only use accessories with Maximum Safe Operating Speed rated at least equal to the maximum speed marked on the power tool. This speed is based on the strength of the wheel. It is not meant to imply a best or most efficient operating speed. Do not exceed the Maximum Safe Operating Speed.

Assembly

Lock Nut and Backing Flange

Your tool is equipped with a threaded spindle for mounting accessories. Always use the supplied quick-clamping nut or the original BOSCH lock nut (which you can buy separately), and backing flange, that has the same thread size as the spindle. Backing flange is keyed to output shaft (Fig. 3). If you use the original lock nut, always make sure that the lock nut is tightened correctly with the supplied wrench.

Disc Grinding Wheel Assembly

Disconnect battery pack from tool. Be sure that wheel guard is in place for grinding. Place BACKING FLANGE and GRINDING WHEEL on the spindle. Thread on the quick-clamping nut and tighten nut using fold-out bar on the quick-clamping nut, while holding the spindle lock (Fig. 5).

If using a lock nut (sold separately), tighten nut using the lock nut wrench, while holding the spindle lock (Fig. 5).

TO REMOVE: Reverse procedure.

WHEN USING SPIN-ON WHEELS

Follow steps 1 & 2, then thread wheel directly onto spindle without using the supplied flanges.

TO REMOVE: Reverse procedure.

All parts of a spin-on wheel must be within lip of grinding guard (Fig. 6). If spin-on wheel is past lip of guard, do not use that wheel as it does not fit on this grinder.

⚠ WARNING Do not use accessories that run eccentrically.

The tool will vibrate excessively and may cause loss of control and the accessory may burst.

Fig. 5

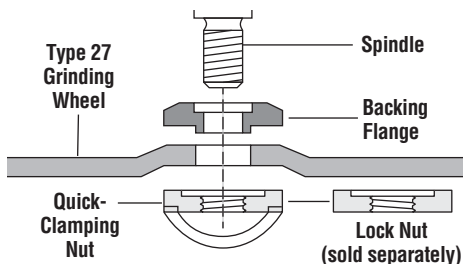
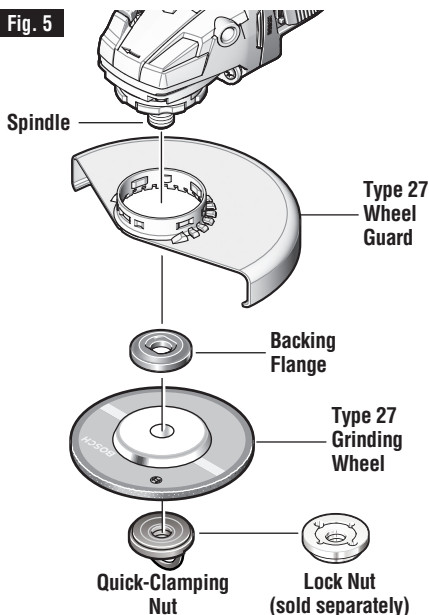
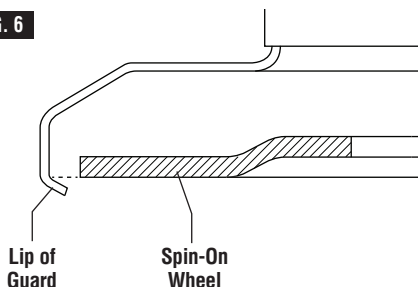


FIG. 6



Assembly

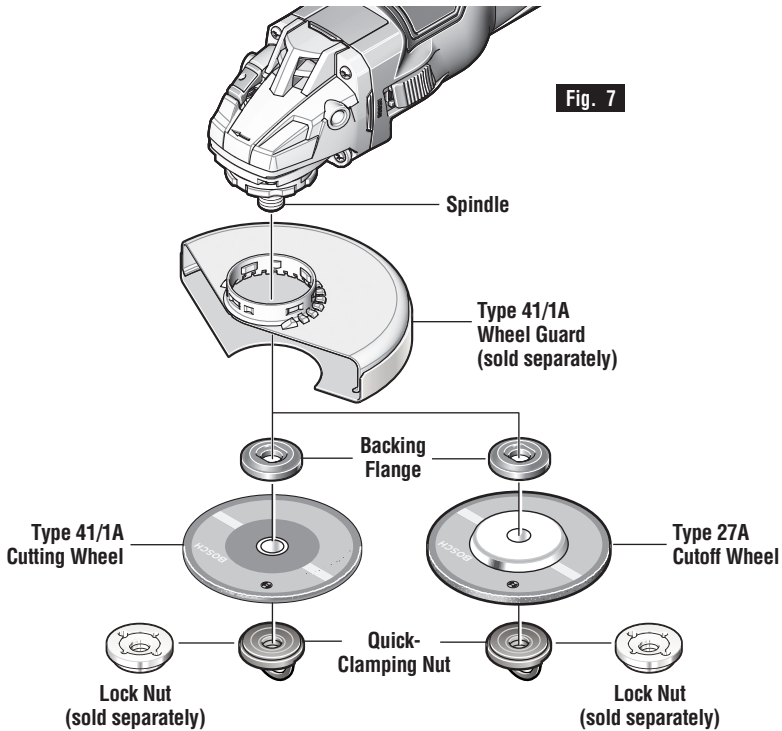


Fig. 7

Abrasive Type 41/1A and 27A Wheel Assembly

Using the Type 41/1A wheel guard (sold separately), it is possible to perform limited cutting on small stock such as metal tubes, piping or rebar.

Do not attempt to cut large stock or sheets of metal as this tool is not designed to be a dedicated cutting tool.

⚠️ WARNING Always use Type 41/1A protection guard for cutting.

Disconnect battery pack from tool. Be sure that wheel guard is in place for cutting.

When using mounting wheels, place the BACKING FLANGE on the spindle and then place the WHEEL on the spindle. Thread on the quick-clamping nut and tighten it using the fold-out bar on the quick-clamping nut, while holding the spindle lock in (Fig. 7).

If using a lock nut (sold separately), tighten nut using the lock nut wrench, while holding the spindle lock. (Fig. 7).

TO REMOVE: Reverse procedure.

Type 1 Abrasive Straight Grinding Wheels

⚠️ WARNING Do not use Type 1 abrasive wheels designed for straight/die grinding. This tool is not designed for use with Type 1 abrasive straight/die grinding wheels.

Assembly

Sanding Accessories Assembly

BACKING PAD

⚠ WARNING Before attaching a backing pad be sure its maximum safe operating speed is not exceeded by the nameplate speed of the tool.

⚠ WARNING Wheel guard may not be used for most sanding operations. Always reinstall wheel guard when converting back to grinding operations.

⚠ WARNING Do not use the Quick-Clamping Nut with backing pad for sanding accessories.

TO INSTALL BACKING PAD AND SANDING DISC (sold separately)

Disconnect battery pack from tool.

Attach hand guard (Fig. 1). Set the tool on its top side (spindle up). Place the rubber backing pad onto the spindle shaft. Center the sanding disc on top of the backing pad. Insert the lock nut (sold separately) through the disc and thread onto the spindle as far as you can with your fingers. Press in the spindle lock, then tighten the backing pad securely with lock nut wrench (Fig. 8).

TO REMOVE: Reverse procedure.

Wire Brush Assembly

Before assembling wire brush to this tool, disconnect from the power source. Attach hand guard (Fig. 1). Wire brushes are equipped with their own threaded hub, simply thread on to spindle. Be sure to seat against shoulder before turning tool "ON".

TO REMOVE: Reverse procedure.

Wire Wheel Assembly

Before assembling wire wheel to this tool, disconnect from the power source. Attach type 27 guard (Fig. 9). Wire wheels are equipped with their own threaded hub, simply thread on to spindle. Be sure to seat against shoulder before turning tool "ON".

TO REMOVE: Reverse procedure.

Fig. 8

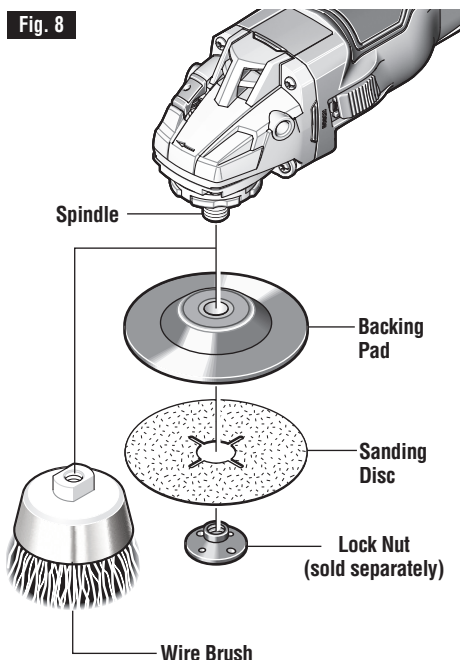
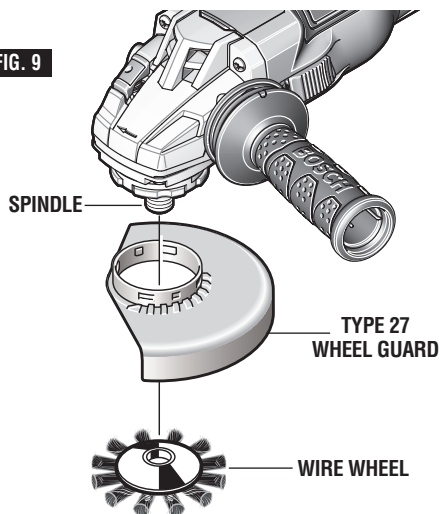


FIG. 9



Assembly

Concrete Dust Extraction Attachment for Surfacing Grinding Assembly

⚠ WARNING A type 27 grinding wheel guard may not be used for all tool operations. Do not discard guard when not in use. Always reinstall wheel guard when converting back to grinding operations.

⚠ WARNING Dust Extraction Attachment is not a guard, do not use with bonded abrasive wheels. Dust extraction attachment may not protect operator in the event of a wheel burst.

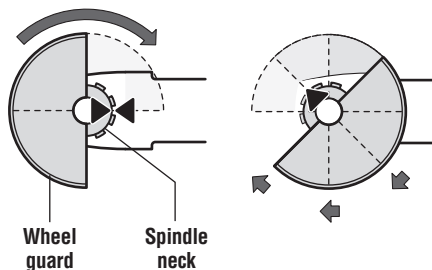
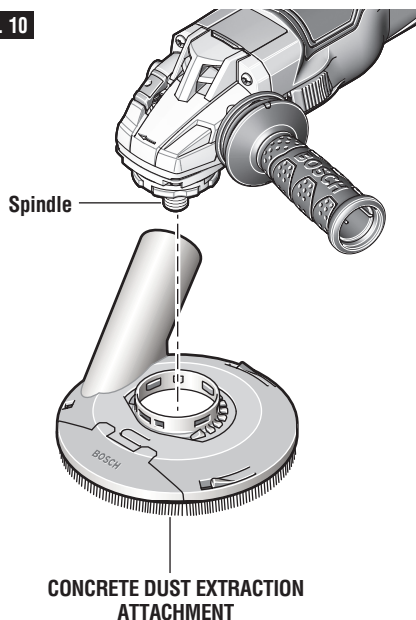
TO INSTALL CONCRETE DUST EXTRACTION ATTACHMENT (FIG. 10)

1. Unplug tool from power source.
2. Position appropriate attachment on spindle neck with dust port pointing away from tool body.
3. Rotate attachment clockwise 90° until guard clicks in place.
4. Adjust attachment by depressing guard release button and rotate to desired position.
5. Allow guard release button to click in place.
6. Place the backing flange on the spindle.
7. Place the diamond cup wheel onto the spindle and align with the flange.
8. Thread the lock nut onto the spindle with the lock nut relief facing the accessory.
9. Tighten lock nut with supplied lock nut wrench while holding spindle lock.

When using spin on wheels, follow steps 1 - 5, then thread wheel directly onto spindle without using the supplied flanges.

TO REMOVE: Reverse procedure.

FIG. 10



Assembly

Masonry Cutting Guard Assembly

⚠ WARNING A type 27 grinding wheel guard may not be used for all tool operations. Do not discard guard when not in use. Always reinstall wheel guard when converting back to grinding operations.

To improve ergonomics of your grinder when cutting masonry, gearbox must be rotated relative to the position of the switch as the tool was assembled at the factory.

ROTATE GEARBOX (Fig. 11)

1. Unplug tool from power source.
2. Completely unscrew the four screws between the gear housing and motor body.
3. Rotate gear housing to the proper orientation without removing motor from the housing.

For the slide switch models, rotate gear housing 180 degrees in the direction indicated in Fig 12, so the switch is 90 degrees from the spindle.

4. Screw in and tighten the four screws you removed.
5. The screw holding the quick release lever is longer than the other screws, this long screw must stay with the quick release lever when re-attaching gear housing for the quick release button to operate properly.
6. Attach proper dust collection guard with foot and accessory.

INSTALLING MASONRY TYPE 1 CUTTING GUARD

1. Use tool adjusted as show in figures 11 and 12.
2. Unplug tool from power source.
3. Unscrew and remove side handle.
4. Slide dust extraction guard on spindle neck.
5. Rotate attachment until stability bracket and hole for side handled are aligned.

FIG. 11

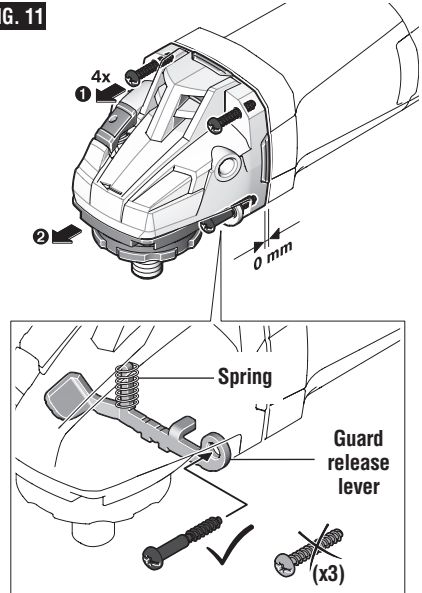
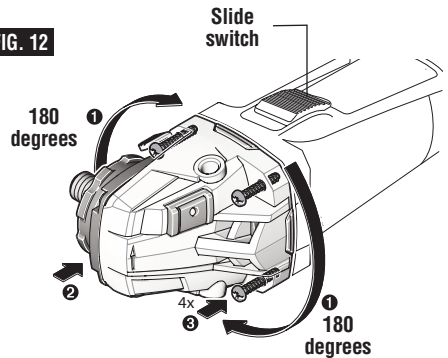


FIG. 12



Assembly

6. Screw in side handle to secure stability bracket between the tool housing and handle.

7. Adjust guard to desired depth of cut.

TO REMOVE: Reverse procedure.

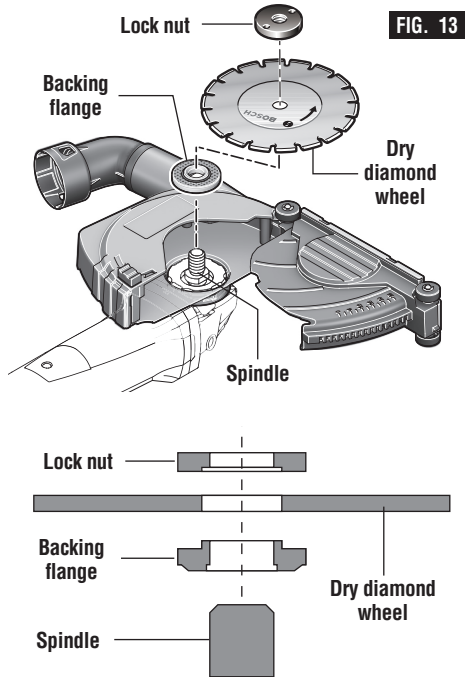
INSTALLING DRY DIAMOND WHEEL (Fig. 13)

1. Place the backing flange on the spindle. Turn flange until it locks with the base of the spindle.

2. Place the dry diamond wheel onto the spindle and align the arbor hole of the grinding wheel with the shoulder of the backing flange.

3. Tighten lock nut with supplied lock nut wrench while holding spindle lock.

TO REMOVE: Reverse procedure.



Assembly

Connectivity Module Installation (sold separately)

⚠ WARNING To reduce the risk of injury read the operating instructions included with Bosch connectivity module. Operating instructions for connectivity module include important information not covered in this manual.

If connectivity module is not purchased with the tool, or if the replacement of the module or the battery becomes necessary, please follow this procedure (See Fig. 14):

- Using a flat screwdriver or a coin, remove the cover **A** from the side of the handle, by turning it 1/4 turn counter-clockwise (Fig. 14 or 15).
- If the tool is already equipped with the connectivity module, remove the battery **B**, but do not remove the connectivity module **C**.
- If the connectivity module is installed for the first time, remove the plastic placeholder **D** from the connectivity module compartment, and place the connectivity module **C** in the compartment observing correct orientation (Fig. 15). **Note:** Store the placeholder **D** in a safe place. Reinsert the placeholder again if the communications module is removed.
- Next place new battery **B** on the top of the connectivity module with the “+” polarity facing up (Fig. 14).
- Place the cover **A** over the battery and turn it ¼-turn clockwise to lock using a flat screwdriver or a coin.

Fig. 14

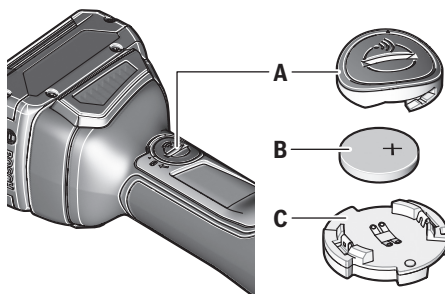
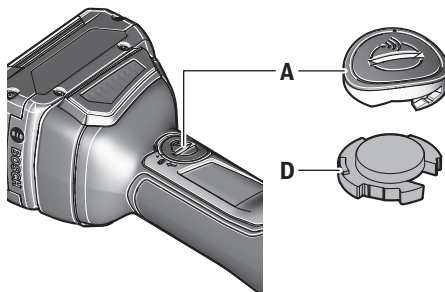


Fig. 15



Operating Instructions

⚠ WARNING Hold the tool with both hands while starting the tool, since torque from the motor can cause the tool to twist.

Start the tool before applying to work and let the tool come to full speed before contacting the workpiece. Lift the tool from the work before releasing the switch. DO NOT turn the switch “ON” and “OFF” while the tool is under load; this will greatly decrease the switch life.

Side On-Off Switch with Lock

The tool is switched “ON” by the side switch located at the side of the motor housing (Fig. 16). The switch can be locked in the “ON” position, a convenience for long grinding operations.

To turn the tool “ON” without locking it, move the switch forward by applying pressure ONLY at the REAR portion of the switch. When pressure is released the switch will return to “OFF” position.

TO LOCK THE SWITCH “ON”, move the switch forward and press the FRONT portion.

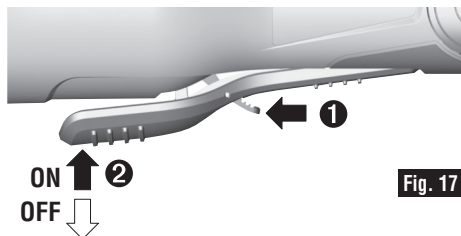
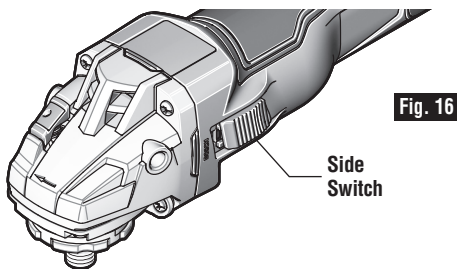
TO UNLOCK THE SWITCH, simply press and release the REAR portion of the slider. Switch is spring loaded and will snap back automatically.

Paddle Switch

The paddle switch has a lock-off feature to help prevent accidental startups.

TO TURN TOOL “ON”, push lock-off switch forward to unlock the paddle switch, then squeeze paddle switch (Fig. 17).

TO TURN TOOL “OFF”, release pressure on paddle switch. The switch is spring loaded and will return to the “OFF” position automatically.



Operating Instructions

Grinding Operations

SELECTING GRINDING WHEELS

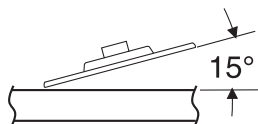
⚠ WARNING Before using a grinding wheel, be certain that its maximum safe operating speed is not exceeded by the nameplate speed of the grinder. Do not exceed the recommended wheel diameter.

DISC GRINDING WHEELS

Grinding wheels should be carefully selected in order to use the grinder most efficiently. Wheels vary in type of abrasive, bond, hardness, grit size and structure. The correct type of wheel to use is determined by the job. Use disc grinding wheels for fast grinding of structural steel, heavy weld beads, steel casting, stainless steel and other ferrous metals.

GRINDING TIPS

Efficient grinding is achieved by controlling the pressure and keeping the angle between wheel and workpiece at 10° to 15°. If the wheel is flat, the tool is difficult to control. If the angle is too steep, the pressure is concentrated on a small area causing burning to the work surface.



⚠ WARNING Excessive or sudden pressure on the wheel will slow grinding action and put dangerous stresses on the wheel.

When grinding with a new wheel be certain to grind while pulling tool backwards until wheel becomes rounded on its edge. New wheels have sharp corners which tend to "bite" or cut into workpiece when pushing forward.

Cutting Operations

METAL CUTTING

⚠ WARNING A Type 1 wheel guard may not be included with this tool but is required when using a cutting wheel. Cutting with a type 27 wheel guard may not provide the operator sufficient protection in the event of a wheel burst.

With this grinder it is possible to perform cutting of limited small stock such as metal tubes, piping or rebar. When cutting, work with moderate feed, adapted to the material being cut. When cutting profiles and square bar, it is best to start at the smallest cross section.

Always follow precautions for kickback.

1. Allow the tool to reach full speed before touching the tool to the work surface.
2. The tool should always be used in such way that the sparks are directed away from user.
3. Apply minimum pressure to the work surface, allowing the tool to operate at high speed. Cutting rate is greatest when the tool operates at high speed.
4. Do not exert side pressure onto the cutting disc. Do not tilt or oscillate the tool as wheel may burst, (Fig. 18).
5. Remove the tool from the work surface before turning the tool off. Allow the tool to stop rotating before laying it down.

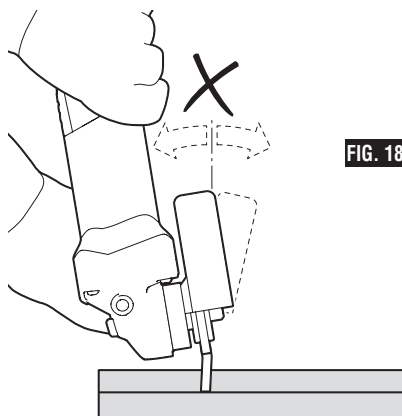


FIG. 18

Operating Instructions

MASONRY / CONCRETE CUTTING

With this grinder it is possible to perform cutting of concrete and masonry materials. When cutting, work with moderate feed, adapted to the material being cut.

Always follow precautions for kickback.

Operate the tool with a dust extraction system and personal dust protection, e.g. respirator, dust mask, etc. The vacuum used for this application must be approved for the extraction of masonry and concrete dust. Bosch sells suitable vacuum cleaners.

⚠ WARNING Never pull the tool backward since blade will climb out of the material and KICKBACK will occur.

1. Allow the tool to reach full speed before touching the tool to the work surface.
2. If plunge cutting:
 - a. Tilt tool forward with wheel lined up with the cut line and hold the tool by the grinder body and the auxiliary handle (Fig. 19).
 - b. Gradually lower the rear of tool using the front end of the foot as the hinge point.
 - c. When the foot rests flat on the surface being cut, proceed cutting in forward direction to end of cut.
3. Always maintain contact between the guard foot and work piece.
4. Slide the tool forward at a moderate speed adapted to the material being cut. Always cut towards the dust extraction port to maximize dust extraction and reduce likelihood of kickback (Fig. 20).
5. Apply minimum pressure to the work surface, allowing the tool to operate at high speed. Cutting rate is greatest when the tool operates at high speed.
6. When the cut is completed, remove tool from work piece before turning off. Allow wheel to stop rotating before setting tool down.

Tip: When performing deep cuts, it is best to cut in several shallow passes. Each pass should be only to the segment depth of the wheel. Masonry dust is abrasive and may wear and weaken the segment bond.

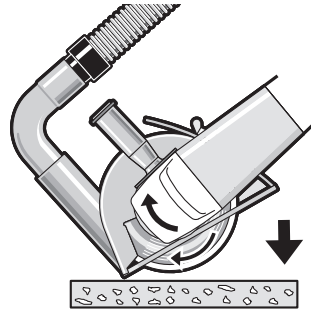


FIG. 19

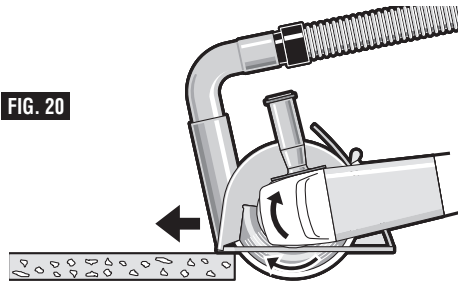


FIG. 20

When cutting especially hard material, e. g., concrete with high pebble content, the dry diamond wheel can overheat and become damaged. This is clearly indicated by circular sparking of the rotating dry diamond wheel. In this case, interrupt the cutting process and allow the dry diamond wheel to cool by running the tool for a short period of time at the maximum speed with no-load.

Noticeable decreasing work progress and circular sparking are indications of a dry diamond wheel that has become dull. Briefly cutting into abrasive materials (e. g. brick) can resharpen the wheel.

CONCRETE SURFACING

Operate the tool with a dust extraction system and personal dust protection, e.g. respirator, dust mask, etc. The vacuum used for this application must be approved for the extraction of masonry and concrete dust. Bosch sells suitable vacuum cleaners.

Diamond cup wheels should be carefully selected in order to use the grinder most efficiently. Wheels vary in type of material they are designed to remove and how

Operating Instructions

aggressively they will remove material. The correct wheel to use is determined by the job.

1. Allow the tool to reach full speed before touching the tool to the work surface.
2. Hold the tool with two hands and keep diamond wheel flat on the work surface.
3. Apply minimum pressure, allowing the tool to operate at high speed. Removal rate is greatest when the tool operates at high speed.
4. Continuously move the tool at a moderate speed to avoid creating gouges in the work surface.

5. Remove the tool from work surface before turning tool off. Allow the tool to stop rotating before laying it down.

Tip: For optimal dust collection, all sides of the surfacing dust collection guard must stay in contact with the surface and the surfacing guard must be connected to a vacuum. A dull diamond wheel can be sharpened by briefly surfacing an abrasive material (eg. sand stone).

Sanding Operations

SELECTING SANDING DISC

Sanding discs are made of extremely hard and sharp aluminum oxide grits, phenol-resin bonded to a sturdy fiber backing for fast heavy-duty service and long life. The discs vary as to size and spacing of the abrasive grits. OPEN COAT (type H) – used for soft materials and on paint or varnish. CLOSED COAT (type K) –used for metal, hardwood, stone, marble and other materials.

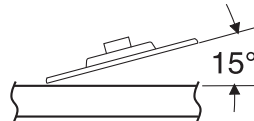
Sanding discs range in grit from 16 (very coarse) to 180 (very fine). To obtain best results, select sanding discs carefully. Many jobs require the use of several grit sizes and at times both “open coat and closed coat” discs are required to get the job done faster. See chart for application examples.

Operation: Refinishing painted wood or metal surfaces.

REMARKS	GRIT
To remove paint and to smooth surface irregularities.	Coarse 16-24-30
To smooth the rough sanding.	Medium 36-50-80
To remove scratches left by previous discs.	Fine 100-120
To smooth surfaces for painting, polishing or waxing.	Very Fine 150-180

Sanding Tips

For best results, tilt the Disc Sander at a 10° to 15° angle while sanding so that only about 1" of the surface around the edge of the disc contacts the work.



WARNING If the disc (accessory) is held flat or the back edge of the disc comes in contact with the work, a violent thrust to the side may result.

If sander is tilted too much, sanding action will be too great and a rough cut surface or gouging and snagging will result.

Guide the Disc Sander with crosswise strokes. Be careful not to hold the sander in one spot too long. Do not use a circular motion, as this makes swirl marks. Test before use on scrap stock.

Do not force or apply pressure when sanding. Use only the weight of the tool for pressure. Excess pressure actually slows the tool down. If faster stock removal is desired, change to a coarser grit disc.

Remove gummy paint from metal with an “open coat” disc. Sand until sparks start to appear, then stop and change to a “closed coat” disc to remove any remaining paint.

Operating Instructions

Sanding Wood

When sanding wood the direction of the disc motion at the contact point should parallel the grain as much as possible. The rapid cut of discs and the swirl type scratch pattern they occasionally create generally prohibit their use for producing the final finish.

Scratches and circular marks are usually the result of using too coarse a grit. When changing to a finer grit, move across the sanding lines that were made by a previous coarser disc.

Sanding Metal

When sanding automobiles or appliances, wipe the metal clean with a non-flammable solvent or commercial cleaner to remove all wax and grease. By doing this first, the sanding discs will sand better and last longer.

For heavy duty work, use a coarse grit disc first. Follow-up with a medium grit to remove scratches. To produce smooth finish, use fine grit disc.

Wire Brush Operations

Wire brushes are intended to “clean” structural steel, castings, sheet metal, stone and concrete. They are used to remove rust, scale and paint.

⚠ WARNING Avoid bouncing and snagging the wire brush, especially when working corners, sharp edges etc. This can cause loss of control and kick-back.

Brushing Pressure

1. Remember, the tips of a wire brush do the work. Operate the brush with the lightest pressure so only the tips of the wire come in contact with the work.
2. If heavier pressures are used, the wires will be overstressed, resulting in a wiping action; and if this is continued, the life of the brush will be shortened due to wire fatigue.
3. Apply the brush to the work in such a way that as much of the brush face as possible is in full contact with the work. Applying the side or edge of the brush to the work will result in wire breakage and shortened brush life.

WIRE CUP BRUSH	
CORRECT: Wire tips doing the work.	
INCORRECT: Excessive pressure can cause wire breakage.	

WIRE WHEEL BRUSH	
CORRECT: Wire tips doing the work.	
INCORRECT: Excessive pressure can cause wire breakage.	

Operating Instructions

Brake Operations

⚠ WARNING Let the grinder accessory come to a complete stop before setting the tool down. The brake action of this grinder is not intended as a safety feature. Using the appropriate guard when operating the grinder is your best protection against unintentional contact with a spinning accessory. Unintended contact with a rotating accessory can cause property damage and/or personal injury.

⚠ WARNING Know the charge state of your battery. The electric braking action is initiated **ONLY** by the release of the trigger switch and in a tool that has power available. When electrical power is lost due to a discharged battery or other causes, the electric brake will not operate and the motor will gradually slow down. Unexpected run down time may cause property damage and/or personal injury.

Your grinder is equipped with an automatic electric brake which is designed to stop the accessory from spinning in approximately two (2) seconds after you release the trigger switch. This feature helps improve jobsite productivity.

Braking starts once the power is turned off. The brake requires a charged battery to function. Stopping time will vary depending on, among other factors, accessory used, and number of actuations. The electric brake of your grinder has been designed for a high degree of reliability, but unexpected circumstances such as contamination or failure of the motor's components can cause the brake to not activate. If the tool operates but the brake does not consistently stop the accessory in about 2 seconds, **DO NOT** use the grinder and have it serviced by a Bosch Factory Service Center or Bosch authorized service facility.

Operating Instructions

Using 'Bosch Toolbox' App

Launch 'Bosch ToolBox' app on your mobile device and click on "My Tools" icon/tile. Follow the app directions to pair the tool with the mobile device.

After pairing your tool with a mobile device you can adjust certain functions or check the status of the power tool using Bosch Toolbox app.

A. Help button – tapping this button will bring up help screen.

B. Tool photo – tapping on the photo will let you customize the photograph of the tool.

C. Power tool battery charge status – the number of green 'batteries' indicates the estimated charge level for the battery pack.

D. Power tool nickname – tapping on the 'pencil' icon will let you customize the tool nickname. You can also do it when changing the tool photo.

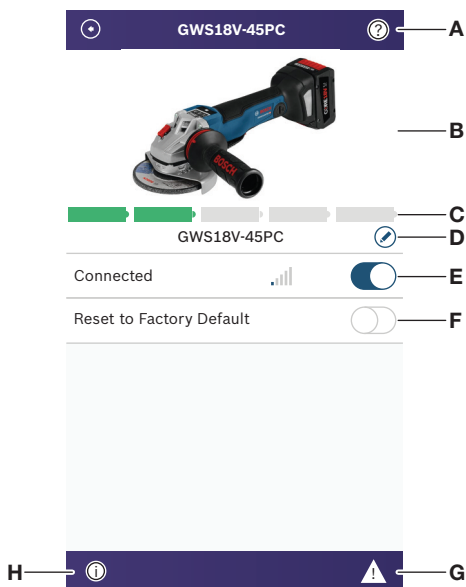
E. Connection status bar – Here you can see the connection (signal) strength indicated by vertical bars. You can use toggle switch to disconnect the tool from you mobile device.

F. Factory Reset toggle switch – you can reset tool settings back to factory default settings.

G. Tool alerts – tapping the 'alerts triangle' will display any alerts received from the tool.

H. Info button – displays tool information and specifications.

Note: Check 'Bosch Toolbox' app on your mobile device for the latest version of the app and any updates.



Maintenance

⚠ WARNING To avoid accidents, always disconnect the tool and/or charger from the power supply before servicing or cleaning.

Service

⚠ WARNING NO USER SERVICEABLE PARTS INSIDE.

Preventive maintenance performed by unauthorized personnel may result in misplacing of internal wires and components which could cause serious hazard. We recommend that all tool service be performed by a Bosch Factory Service Center or Authorized Bosch Service Station. **SERVICEMEN:** Disconnect tool and/or charger from power source before servicing.

Batteries

Be alert for battery packs that are nearing their end of life. If you notice decreased tool performance or significantly shorter running time between charges then it is time to replace the battery pack. Failure to do so can cause the tool to operate improperly or damage the charger.

Tool Lubrication

Your Bosch tool has been properly lubricated and is ready for use.

D.C. Motors

The motor in your tool has been engineered for many hours of dependable service. To maintain peak efficiency of the motor, we recommend it be examined every six months. Only a genuine Bosch replacement motor specially designed for your tool should be used.

Cleaning

⚠ CAUTION Certain cleaning agents and solvents damage plastic parts. Some of these are: gasoline, carbon tetrachloride, chlorinated cleaning solvents, ammonia and household detergents that contain ammonia.

Ventilation openings and switch levers must be kept clean and free of foreign matter. Do not attempt to clean by inserting pointed objects through opening.

Accessories and Attachments

⚠ WARNING The use of any other attachments or accessories not specified in this manual may create a hazard.

Store accessories in a dry and temperate environment to avoid corrosion and deterioration.

Standard equipment	Optional accessories and attachments
<ul style="list-style-type: none">- Type 27 wheel guard- Quick-clamping nut- Backing flange- Side handle- Lock nut wrench	<ul style="list-style-type: none">- Lock nut- Type 41/1A wheel guard- Hand guard

NOTE: Not recommended for use with type 11 cup wheels.

Symboles relatifs à la sécurité

Les définitions ci-dessous décrivent le niveau de gravité pour chaque terme signalant un danger. Veuillez lire le mode d'emploi et lire la signification de ces symboles.

	C'est le symbole d'alerte relatif à la sécurité. Il est utilisé pour vous avertir de l'existence possible d'un danger de lésion corporelle. Obéissez à tous les messages relatifs à la sécurité qui suivent ce symbole pour éviter tout risque de blessure ou même de mort.
	DANGER indique une situation dangereuse qui, si elle n'est pas évitée, causera la mort d'une personne ou une blessure grave.
	AVERTISSEMENT indique une situation dangereuse qui, si elle n'est pas évitée, pourrait causer la mort d'une personne ou une blessure grave.
	MISE EN GARDE indique une situation dangereuse qui, si elle n'est pas évitée, pourrait causer une blessure légère ou modérée.

Avertissements généraux concernant la sécurité des outils électroportatifs

AVERTISSEMENT Veuillez lire tous les avertissements et toutes les consignes de sécurité. Si l'on n'observe pas ces avertissements et ces consignes de sécurité, il existe un risque de choc électrique, d'incendie et/ou de blessures corporelles graves.

CONSERVEZ TOUS LES AVERTISSEMENTS ET TOUTES LES CONSIGNES DE SÉCURITÉ POUR RÉFÉRENCE FUTURE.

Dans les avertissements, le terme « outil électroportatif » se rapporte à votre outil branché sur le secteur (avec fil) ou à votre outil alimenté par piles (sans fil).

Sécurité du lieu de travail

Maintenez le lieu de travail propre et bien éclairé. Les risques d'accident sont plus élevés quand on travaille dans un endroit encombré ou sombre.

N'utilisez pas d'outils électroportatifs dans des atmosphères explosives, comme par exemple en présence de gaz, de poussières ou de liquides inflammables. Les outils électroportatifs produisent des étincelles qui risquent d'enflammer les poussières ou les vapeurs.

Éloignez les enfants et les visiteurs quand vous vous servez d'un outil électroportatif. Vous risquez une perte de contrôle si on vous distrait.

Sécurité électrique

Les fiches des outils électroportatifs doivent correspondre à la prise. Il ne faut absolument jamais modifier la fiche. N'utilisez pas d'adaptateur de prise avec des outils électroportatifs munis d'une fiche de terre. Le risque de choc électrique est moindre si on utilise une fiche non modifiée sur une prise qui lui correspond.

Évitez tout contact du corps avec des surfaces reliées à la terre tels que tuyaux, radiateurs, gazinières ou réfrigérateurs. Le risque de choc électrique augmente si votre corps est relié à la terre.

N'exposez pas les outils électroportatifs à la pluie ou à l'humidité. Si de l'eau pénètre dans un outil électroportatif, le risque de choc électrique augmente.

Ne maltraitez pas le cordon. Ne vous en servez jamais pour transporter l'outil électroportatif, pour le tirer ou pour le débrancher. Éloignez le cordon de la chaleur, des huiles, des arêtes coupantes ou des pièces mobiles. Les cordons abîmés ou emmêlés augmentent les risques de choc électrique.

Si vous utilisez un outil électroportatif à l'extérieur, employez une rallonge conçue pour l'extérieur. Ces rallonges sont faites pour l'extérieur et réduisent le risque de choc électrique.

S'il est absolument nécessaire d'utiliser l'outil électroportatif dans un endroit humide, utilisez une alimentation protégée par un disjoncteur de fuite de terre (GFCI). L'utilisation d'un disjoncteur GFCI réduit les risques de choc électrique.

Sécurité personnelle

Restez concentré, faites attention à ce que vous faites, et servez-vous de votre bon sens lorsque vous utilisez un outil électroportatif. N'employez pas d'outils électroportatifs quand vous êtes fatigué ou sous l'emprise de drogues, d'alcool ou de médicaments.

Quand on utilise des outils électroportatifs, il suffit d'un moment d'inattention pour causer des blessures corporelles graves.

Utilisez des équipements de sécurité personnelle. Portez toujours une protection oculaire. Le port d'équipements de sécurité tels que des masques anti-poussières, des chaussures de sécurité antidérapantes, des casques de chantier et des protecteurs d'oreilles dans des conditions appropriées réduira le risque de blessure corporelle.

Évitez les démarrages intempestifs. Assurez-vous que l'interrupteur est dans la position arrêté (Off) avant de brancher l'outil dans une prise de courant et/ou un bloc-piles, de le ramasser ou de le transporter. Le transport d'un outil électroportatif avec le doigt sur la gâchette ou le branchement de cet outil quand l'interrupteur est en position de marche (ON) est une invite aux accidents.

Enlevez toutes les clés de réglage avant de mettre l'outil électroportatif en marche. Si on laisse une clé sur une pièce tournante de l'outil électroportatif, il y a un risque de blessure corporelle.

Ne vous penchez pas. Conservez toujours une bonne assise et un bon équilibre. Ceci vous permettra de mieux maîtriser l'outil électroportatif dans des situations inattendues.

Habilitez-vous de manière appropriée. Ne portez pas de vêtements amples ou de bijoux. Attachez les cheveux longs. N'approchez pas les cheveux, les vêtements ou les gants des pièces en mouvement. Les vêtements amples, les bijoux ou les cheveux longs risquent d'être happés par les pièces en mouvement.

Si l'outil est muni de dispositifs permettant le raccordement d'un système d'aspiration et de collecte des poussières, assurez-vous que ces dispositifs sont raccordés et utilisés correctement. L'utilisation d'un dépoussiéreur peut réduire les dangers associés à l'accumulation de poussière.

Utilisation et entretien des outils électroportatifs

Ne forcez pas sur l'outil électroportatif. Utilisez l'outil électroportatif qui convient à la tâche à effectuer. L'outil qui convient à la tâche fait un meilleur travail et est plus sûr à la vitesse pour lequel il a été conçu.

Ne vous servez pas de l'outil électroportatif si son interrupteur ne parvient pas à le mettre en marche ou à l'arrêter. Tout outil électroportatif qui ne peut pas être commandé par son interrupteur est dangereux et doit être réparé.

Débranchez la fiche de la prise ou enlevez le bloc-pile de l'outil électroportatif avant tout réglage, changement d'accessoires ou avant de ranger l'outil électroportatif. De telles mesures de sécurité préventive réduisent le risque de démarrage intempestif de l'outil électroportatif.

Rangez les outils électroportatifs dont vous ne vous servez pas hors de portée des enfants et ne permettez pas à des personnes qui ne connaissent pas l'outil électroportatif ou qui ignorent ces consignes de s'en servir. Les outils électroportatifs sont dangereux dans les mains d'utilisateurs inexpérimentés.

Entretenez les outils électroportatifs. Vérifiez que les pièces mobiles sont alignées correctement et ne coincent pas. Vérifiez qu'il n'y a pas de pièces cassées ou d'autre circonstance qui risquent d'affecter le fonctionnement de l'outil électroportatif. Si l'outil est abîmé, faites-le réparer avant de l'utiliser. De nombreux accidents sont causés par des outils électroportatifs mal entretenus.

Maintenez les outils coupants affûtés et propres. Les outils coupants entretenus correctement et dotés de bords tranchants affûtés sont moins susceptibles de coincer et sont plus faciles à maîtriser.

Utilisez l'outil électroportatif, les accessoires et les embouts d'outil, etc. conformément à ces instructions, en tenant compte des conditions de travail et des travaux à réaliser. L'emploi d'outils électroportatifs pour des tâches différentes de celles pour lesquelles ils ont été prévus peut résulter en une situation dangereuse.

Utilisation et entretien des outils à piles

Rechargez les piles uniquement avec le chargeur spécifié par le fabricant. Un chargeur qui convient à un type de bloc-piles peut entraîner un risque d'incendie quand il est utilisé avec un autre bloc-piles.

Utilisez des outils électroportatifs uniquement avec les bloc-piles spécifiquement désignés pour eux. L'utilisation de tout autre bloc-piles peut créer un risque de blessures et d'incendie.

Lorsque le bloc-piles n'est pas utilisé, gardez-le à distances d'autres objets métalliques tels que des trombones, des pièces de monnaie, des clés, des clous, des vis ou de tout autre objet métallique pouvant faire une connexion entre une borne et une autre. Court-circuiter les bornes des piles peut causer des brûlures ou un incendie.

Dans des conditions abusives, du liquide peut être éjecté de la pile ; dans un tel cas, évitez tout contact avec ce liquide. Si un contact se produit accidentellement, rincez avec de l'eau. Si le liquide entre en contact avec les yeux, consultez un médecin. Du liquide éjecté de la pile peut causer des irritations ou des brûlures.

Entretien

Faites réparer votre outil électroportatif par un agent de service qualifié n'utilisant que des pièces de rechange identiques. Ceci assure que la sécurité de l'outil électroportatif est préservée.

Avertissements spécifiques à la sécurité des outils électroportatifs

Avertissements habituels concernant la sécurité des opérations de rectification, de ponçage, de brossage métallique et de tronçonnage à la meule abrasive :

Cet outil électroportatif a été conçu pour fonctionner comme un outil de rectification, de ponçage, de brossage métallique ou de tronçonnage. Veuillez lire toute la documentation relative à la sécurité qui a été fournie avec cet outil électroportatif, notamment, les avertissements, les consignes, les illustrations et les spécifications. Si l'on n'observe pas toutes les consignes indiquées ci-dessous, il existe un risque de choc électrique, d'incendie et/ou de blessures corporelles graves.

Il n'est pas recommandé de réaliser des opérations telles que le polissage avec cet outil électrique. L'usage de l'outil au cours de travaux pour lesquels il n'a pas été conçu risque de présenter un danger et de causer des blessures corporelles.

N'utilisez pas d'accessoires qui n'ont pas été spécifiquement conçus et recommandés par le fabricant de l'outil. Le simple fait qu'un accessoire puisse être attaché à votre outil électroportatif ne garantit pas un fonctionnement sans danger.

La vitesse nominale de l'accessoire doit être au moins égale à la vitesse maximum indiquée sur l'outil électroportatif. Les accessoires que l'on fait tourner à une vitesse supérieure à leur VITESSE NOMINALE peuvent se casser et voler en éclats.

Le diamètre externe et l'épaisseur de votre accessoire doivent être dans les limites de capacité de votre outil électroportatif. Des accessoires de la mauvaise taille ne peuvent pas être adéquatement protégés ou contrôlés.

Le montage fileté des accessoires doit correspondre au filet de la broche de la MEULEUSE. Pour les accessoires montés à l'aide de BRIDES DE FIXATION, le trou de l'arbre de l'accessoire doit correspondre au diamètre de la BRIDE DE FIXATION qui doit être introduite dans celui-ci. Les accessoires qui ne correspondent pas au petit matériel de montage de l'outil électrique fonctionneront de manière déséquilibrée, vibreront de façon excessive et risquent de causer une perte de contrôle de l'outil.

N'utilisez pas d'accessoires endommagés. Inspectez vos accessoires avant chaque utilisation : vérifiez par exemple que votre meule abrasive n'est ni fêlée, ni ébréchée, que votre disque d'appui n'est ni fêlé, ni déchiré, ni trop usé et que votre brosse métallique ne contient pas de fils cassés ou détachés. Si vous laissez tomber l'outil ou l'accessoire, vérifiez que ce dernier n'est pas endommagé ou remplacez-le par un accessoire en bon état. Après l'inspection et l'installation d'un accessoire, tenez-vous à distance du plan de l'accessoire en mouvement et demandez à toute personne présente de faire de même, et faites fonctionner l'outil à sa vitesse à vide maximale pendant une minute. Si un accessoire est endommagé, il se cassera

habituellement en plusieurs morceaux pendant cette période de test.

Portez des équipements de protection personnelle. Suivant le travail effectué, portez un masque de protection, des lunettes à coques ou des lunettes de sécurité. S'il y a lieu, portez un masque antipoussières, des dispositifs de protection de l'ouïe, des gants et un tablier d'atelier capable d'arrêter des petits fragments abrasifs ou des fragments de la pièce. Les dispositifs de protection des yeux doivent pouvoir arrêter des débris volants produits par diverses opérations. Le masque antipoussières ou le respirateur doit être capable de filtrer des particules générées par votre travail. Une exposition prolongée à un bruit de haute intensité peut entraîner une perte de l'ouïe.

Gardez toute personne présente à une distance sûre de l'aire de travail. Toute personne qui entre dans l'aire de travail doit porter des équipements de protection personnelle. Des fragments d'une pièce ou d'un accessoire peuvent être projetés et causer des blessures au-delà de l'aire d'opération immédiate.

Tenez l'outil électroportatif exclusivement au niveau de ses surfaces de préhension isolées quand vous réalisez une opération au cours de laquelle l'accessoire de coupe risque d'entrer en contact avec des fils électriques dissimulés. Quand un accessoire de coupe entre en contact avec un fil « sous tension », cela peut mettre des parties métalliques exposées de l'outil électroportatif « sous tension » et électrocuter l'utilisateur.

Ne posez jamais l'outil électroportatif tant que l'accessoire n'a pas complètement cessé de tourner. L'accessoire en mouvement risque d'accrocher la surface sur laquelle il est posé et de vous faire perdre contrôle de l'outil.

Ne laissez pas l'outil électroportatif en marche quand vous le portez sur le côté. Un contact accidentel avec l'accessoire en mouvement risquerait d'accrocher vos vêtements et d'attirer l'accessoire vers votre corps.

Nettoyez régulièrement les prises d'air de l'outil électroportatif. Le ventilateur du moteur attirera de la poussière à l'intérieur du boîtier de l'outil et une accumulation excessive de poudre métallique risque de causer des dangers électriques.

Ne faites pas fonctionner l'outil électroportatif à proximité de matériaux inflammables. Des étincelles pourraient enflammer ces matériaux.

N'utilisez pas d'accessoires qui exigent des liquides de refroidissement. L'utilisation d'eau ou d'autres liquides de refroidissement peut entraîner une électrocution ou un choc électrique.

Avertissements sur les rebonds et effets associés

L'effet de rebond est une réaction soudaine au pincement ou à l'accrochage d'une meule, d'un disque d'appui, d'une

brosse ou de tout autre accessoire pivotant. Un tel pincement ou accrochage fait rapidement caler l'accessoire en mouvement, ce qui force l'outil électroportatif hors de contrôle à aller dans la direction opposée à celle de la rotation de l'accessoire à l'emplacement du blocage.

Par exemple, si une meule abrasive est accrochée ou pincée par la pièce, le bord de la meule à l'emplacement du pincage peut creuser la surface du matériau et forcer la meule à se « hisser » sur la pièce ou à être éjectée. La meule peut alors sauter soit en direction de l'utilisateur, soit dans la direction opposée, en fonction de la direction du mouvement de la meule à l'emplacement du pincement. Les meules abrasives peuvent également se briser dans de telles conditions.

Les rebonds résultent d'une mauvaise utilisation de l'outil électroportatif et/ou de procédures ou de conditions d'utilisation incorrectes, et ils peuvent être évités en prenant les précautions nécessaires indiquées ci-dessous :

Maintenez une prise ferme sur l'outil électroportatif et positionnez votre bras et le reste de votre corps de façon à vous permettre de résister aux forces de rebond. Utilisez toujours la poignée auxiliaire, quand elle vous a été fournie, pour un contrôle maximum du rebond ou de la réaction de couple qui se produit pendant la mise en marche de l'outil. L'utilisateur peut contrôler les réactions de couple ou les forces de rebond en prenant les précautions nécessaires.

Ne placez jamais votre main à proximité de l'accessoire en mouvement. L'accessoire risquerait de rebondir sur votre main.

Ne vous placez jamais dans la zone où l'outil électroportatif se dirigerait si un rebond se produisait. L'effet de rebond projetterait l'outil dans la direction opposée à celle du mouvement de la meule à l'emplacement de l'accrochage.

Faites particulièrement attention quand vous travaillez des coins ou des arêtes tranchantes, etc. Évitez de faire rebondir ou d'accrocher l'accessoire. Les coins, les arêtes tranchantes et les rebondissements ont tendance à faire accrocher l'accessoire en mouvement et à entraîner une perte de contrôle ou un rebond.

Ne fixez pas une lame à sculpter le bois de chaîne coupante ou une lame de scie dentée sur l'outil. De telles lames causent fréquemment des rebonds et des pertes de contrôle.

Avvertissements spécifiques à la sécurité des opérations de rectification et de tronçonnage à la meule :

N'utilisez que des types de meules qui sont recommandées pour votre outil électroportatif et que des protecteurs conçus pour la meule sélectionnée. Les meules pour lesquelles l'outil n'a pas été conçu ne peuvent pas être adéquatement protégées et sont par conséquent dangereuses.

La surface de meulage des meules déprimées au centre doit être montée au-dessous du plan de la lèvres de protection. Une meule montée de façon incorrecte qui dépasserait à travers le plan de la lèvres de protection ne

peut pas être protégée de façon adéquate.

Le protecteur doit être fermement fixé à l'outil électroportatif et positionné pour un maximum de sécurité en s'arrangeant pour que la plus petite portion possible de meule exposée soit tournée vers l'utilisateur. Le protecteur aide à protéger l'utilisateur contre des fragments d'une meule cassée et contre un contact accidentel avec la meule.

Les meules ne doivent être utilisées que pour des opérations pour lesquelles elles ont été conçues. Par exemple : ne meulez pas avec le côté de la meule à tronçonner. Les meules à tronçonner sont conçues pour une rectification périphérique et l'application de forces latérales à ces meules peuvent les faire éclater.

Utilisez toujours des brides non endommagées d'une taille et d'une forme qui conviennent à la meule sélectionnée. Les brides de meule appropriées soutiennent la meule, réduisant ainsi la possibilité que la meule se casse. Les brides pour meules de tronçonnage peuvent être différentes des brides pour d'autres types de meules.

N'utilisez pas de meules usées provenant d'outils électroportatifs de plus grande taille. Une meule qui a été conçue pour un outil électroportatif de grande taille n'est pas compatible avec un outil plus petit qui tourne à une plus grande vitesse, et elle risque d'éclater si elle est posée sur ce dernier.

Avvertissements supplémentaires spécifiques à la sécurité des opérations de tronçonnage à la meule abrasive :

Ne bloquez pas la meule à tronçonner et n'appliquez pas une pression excessive sur celle-ci. Ne tentez pas de réaliser une coupe d'une profondeur excessive. La surcharge de la meule augmente sa susceptibilité à la torsion et au blocage pendant la coupe et la possibilité d'un effet de rebond ou d'une cassure de la meule.

Ne positionnez pas votre corps de façon à ce qu'il soit aligné avec la meule pivotante et derrière celle-ci. Quand la meule, à l'emplacement de l'opération, se déplace dans la direction opposée à celle de votre corps, le rebond potentiel risque de projeter la meule en mouvement ainsi que l'outil électroportatif directement sur vous.

Quand la meule se coince, ou quand vous interrompez une coupe pour une raison quelconque, mettez l'outil électroportatif à l'arrêt et tenez-le sans bouger jusqu'à ce que la meule s'arrête complètement. N'essayez jamais de retirer la meule de tronçonnage au milieu d'une coupe tant que la meule tourne toujours; cela risquerait de provoquer un effet de rebond. Trouvez la cause du coincage de la meule et prenez les mesures nécessaires pour y remédier.

Ne recommencez pas votre opération de coupe en plaçant l'outil directement dans la pièce. Permettez à la meule d'atteindre sa vitesse optimale avant de la réintroduire prudemment dans la pièce. Si vous remettez l'outil en marche directement dans la pièce, la meule risque de se bloquer, de « grimper » sur la pièce ou de faire un rebond.

Soutenez les panneaux ou toute pièce surdimensionnée afin de réduire le plus possible le risque de pincement ou de rebond de la meule. Les pièces de grande taille ont tendance à fléchir sous leur propre poids. Des supports doivent être placés sous la pièce à proximité de la ligne de coupe et près du bord de la pièce des deux côtés de la meule.

Faites particulièrement attention quand vous exécutez une coupe « en poche » dans des murs déjà en place ou dans d'autres endroits cachés. Il se peut que la meule saillante coupe des tuyaux de gaz, des conduites d'eau, des fils électriques ou des objets qui risquent d'entraîner un rebond.

N'utilisez pas de meules abrasives de type 1 conçues pour le meulage droit.

N'essayez pas de couper des feuilles de métal ou des pièces de grande taille avec cette machine, car elle n'a pas été conçue pour servir de machine réservée au tronçonnage.

Avertissements spécifiques à la sécurité des opérations de ponçage :

N'utilisez pas de papier à disque de ponçage surdimensionné. Suivez les recommandations du

fabricant quand vous choisissez votre papier de ponçage. Un papier de ponçage trop grand qui dépasse du patin de ponçage représente un danger de lacération et peut entraîner un blocage, une déchirure du disque ou un rebond.

Avertissements spécifiques à la sécurité des opérations de brossage métallique :

Soyez conscient du fait que la brosse éjecte des soies métalliques pendant son opération normale. Ne surchargez pas les fils métalliques en appliquant une charge excessive sur la brosse. Les soies métalliques peuvent facilement pénétrer dans des vêtements légers et/ou dans la peau.

Bien qu'il soit recommandé d'utiliser un protecteur pour le brossage métallique, ne laissez pas la meule ou la brosse métallique interférer avec le protecteur. Le diamètre de la meule ou de la brosse métallique risque d'augmenter à cause de la charge de travail et des forces centrifuges.

Avertissements supplémentaires concernant la sécurité

N'utilisez pas un outil conçu uniquement pour le C.A. sur une alimentation en C.C. Même si l'outil semble fonctionner, les composants électriques d'un outil prévu pour le C.A. tomberont probablement en panne et risquent de créer un danger pour l'utilisateur.

Maintenez les poignées sèches et exemptes d'huile et de graisse. On ne pas maîtriser un outil électroportatif en toute sécurité quand on a les mains glissantes.

Utilisez des brides ou d'autres moyens pratiques de brider ou de supporter la pièce sur une plate-forme stable. Tenir la pièce à la main ou contre le corps est instable et risque de résulter en une perte de contrôle.

Créez un agenda d'entretien périodique pour votre outil. Quand vous nettoyez un outil, faites attention de n'en démonter aucune pièce car il est toujours possible de mal remonter ou de pincer les fils internes ou de remonter incorrectement les ressorts de rappel des capots de protection. Certains agents de nettoyage tels que l'essence, le tétrachlorure de carbone, l'ammoniaque, etc. risquent d'abîmer les plastiques.

N'utilisez pas d'aspirateur ou d'autre système de ramassage de la poussière lorsque vous coupez du métal. Des étincelles provenant de la coupe du métal pourraient causer l'inflammation des poussières ainsi ramassées.









⚠ AVERTISSEMENT Les travaux à la machine tel que ponçage, sciage, meulage, perçage et autres travaux du bâtiment peuvent créer des poussières contenant des produits chimiques qui sont des causes reconnues de cancer, de malformation congénitale ou d'autres problèmes reproductifs. Ces produits chimiques sont, par exemple :

- Le plomb provenant des peintures à base de plomb,
- Les cristaux de silices provenant des briques et du ciment et d'autres produits de maçonnerie, et
- L'arsenic et le chrome provenant des bois traités chimiquement.

Le niveau de risque dû à cette exposition varie avec la fréquence de ces types de travaux. Pour réduire l'exposition à ces produits chimiques, il faut travailler dans un lieu bien ventilé et porter un équipement de sécurité approprié tel que certains masques à poussière conçus spécialement pour filtrer les particules microscopiques.



Symboles

IMPORTANT : Certains des symboles suivants peuvent être utilisés sur votre outil. Veuillez les étudier et apprendre leur signification. Une interprétation appropriée de ces symboles vous permettra d'utiliser l'outil de façon plus efficace et plus sûre.

Symbole	Désignation / Explication
V	Volts (voltage)
A	Ampères (courant)
Hz	Hertz (fréquence, cycles par seconde)
W	Watt (puissance)
kg	Kilogrammes (poids)
min	Minutes (temps)
s	Seconds (temps)
∅	Diamètre (taille des mèches de perceuse, meules, etc.)
n_0	Vitesse à vide (vitesse de rotation, à vide)
n	Vitesse nominale (vitesse maximum pouvant être atteinte)
.../min	Tours ou mouvement alternatif par minute (tours, coups, vitesse en surface, orbites, etc., par minute)
0	Position d'arrêt (vitesse zéro, couple zéro ...)
1, 2, 3, ... I, II, III,	Réglages du sélecteur (Réglages de vitesse, de couple ou de position. Un nombre plus élevé signifie une vitesse plus grande)
	Sélecteur variable à l'infini avec arrêt (La vitesse augmente depuis le réglage 0)
	Flèche (action dans la direction de la flèche)
	Courant alternatif (type ou caractéristique du courant)
	Courant continu (type ou caractéristique du courant)
	Courant alternatif ou continu (type ou caractéristique du courant)
	Construction classe II (désigne des outils construits avec double isolation)
	Borne de terre (borne de mise à la terre)
	Symbole d'avertissement (Alerte l'utilisateur aux messages d'avertissement)

Symboles (suite)

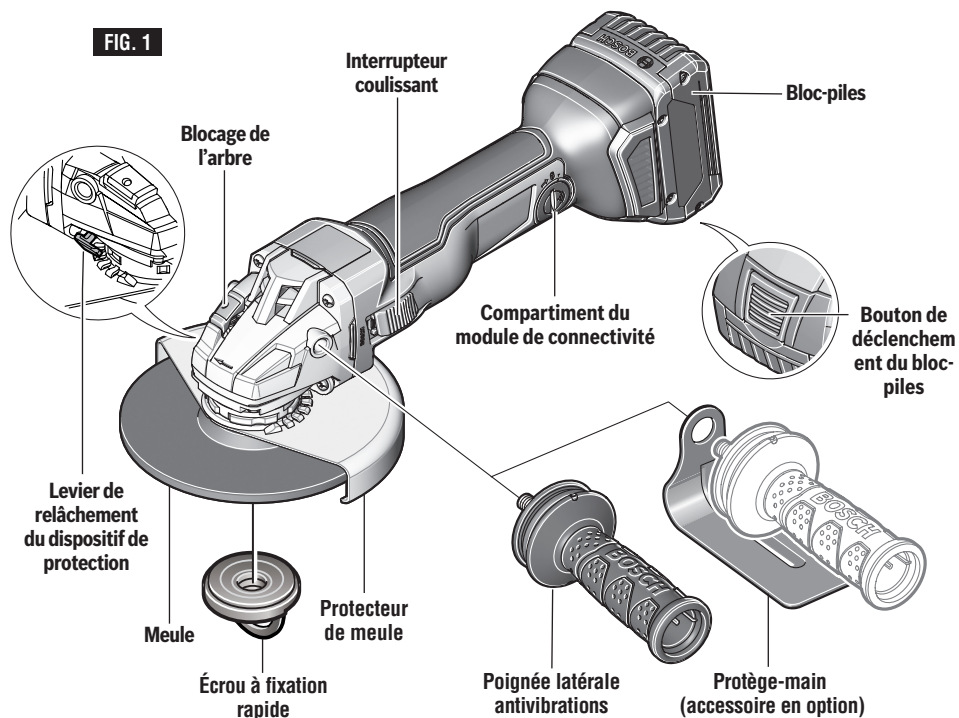
IMPORTANT : Certains des symboles suivants peuvent être utilisés sur votre outil. Veuillez les étudier et apprendre leur signification. Une interprétation appropriée de ces symboles vous permettra d'utiliser l'outil de façon plus efficace et plus sûre.

Symbole	Désignation / Explication
	Alerte l'utilisateur pour lire le mode d'emploi
	Alerte l'utilisateur pour porter des lunettes de sécurité
	Alerte l'utilisateur pour porter une protection respiratoire
	Alerte l'utilisateur pour porter des protecteurs d'oreilles
	Ce symbole signifie que cet outil est approuvé par Underwriters Laboratories.
	Ce symbole signifie que cet outil est approuvé par Underwriters Laboratories selon les normes des États-Unis et du Canada.
	Ce symbole signifie que cet outil est approuvé par l'Association canadienne de normalisation.
	Ce symbole signifie que cet outil est approuvé par l'Association canadienne de normalisation selon les normes des États-Unis et du Canada.
	Ce symbole signifie que cet outil est approuvé par Intertek Testing Services selon les normes des États-Unis et du Canada
	Ce symbole signifie que cet outil se conforme aux normes mexicaines NOM.
	Désigne le programme de recyclage des piles Li-ion.

Description fonctionnelle et spécifications

AVERTISSEMENT Débranchez le bloc-piles de l'outil avant d'effectuer tout assemblage ou réglage, ou de changer des accessoires. Ces mesures de sécurité préventives réduisent le risque d'une mise en marche accidentelle de l'outil.

Meuleuses d'angles avec interrupteur coulissant GWS18V-45C



Bloc-piles/chargeurs

Veuillez vous référer à la liste des piles/chargeurs accompagnant votre outil.

REMARQUE : Pour spécifications de l'outil, reportez-vous à la plaque signalétique de votre outil.

La vitesse nominale de l'accessoire doit être égale ou supérieure à celle de l'outil. Il ne faut pas dépasser le diamètre de meule recommandé.

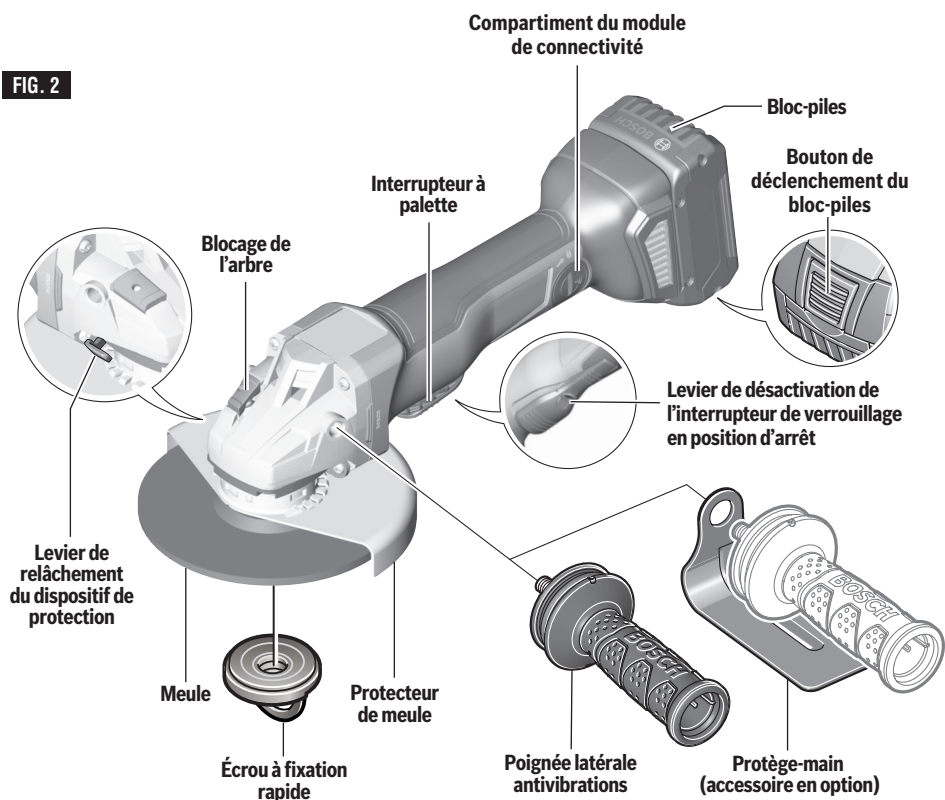
REMARQUE : ces accessoires ne sont pas recommandés pour emploi avec des meules en coupe de Type 11.

Description fonctionnelle et spécifications

⚠ AVERTISSEMENT Débranchez le bloc-piles de l'outil avant d'effectuer tout assemblage ou réglage, ou de changer des accessoires. Ces mesures de sécurité préventives réduisent le risque d'une mise en marche accidentelle de l'outil.

Meuleuses d'angles avec interrupteur à palette GWS18V-45PC

FIG. 2



Bloc-piles/chargeurs

Veuillez vous référer à la liste des piles/chargeurs accompagnant votre outil.

REMARQUE : Pour spécifications de l'outil, reportez-vous à la plaque signalétique de votre outil.

La vitesse nominale de l'accessoire doit être égale ou supérieure à celle de l'outil. Il ne faut pas dépasser le diamètre de meule recommandé.

REMARQUE : ces accessoires ne sont pas recommandés pour emploi avec des meules en coupe de Type 11.

Description fonctionnelle et spécifications

⚠ AVERTISSEMENT Débranchez le bloc-piles de l'outil avant d'effectuer tout assemblage ou réglage, ou de changer des accessoires. Ces mesures de sécurité préventives réduisent le risque d'une mise en marche accidentelle de l'outil.

Numéro de modèle	GWS18V-45C	GWS18V-45PC
Piles	18 V (série Bosch)	18 V (série Bosch)
Vitesse nominale	n 9,000/min	n 9,000/min
Interrupteur	Coulissant	Palette
Frein pour rotation excentrée	Inclus	Inclus
Module d'outil de connectivité	En option	En option
Filet d'arbre	5/8"-11 UNC	5/8"-11 UNC
Longueur max. de la broche	9/16" (14,3 mm)	9/16" (14,3 mm)
Ø max. de la meule de type 27	4 1/2" - 5" (115mm - 125mm)	4 1/2" (115 mm)
Épaisseur de la meule de type 27	1/8" - 1/4" (3mm - 6mm)	1/8" - 1/4" (3mm - 6mm)
Ø max. du disque de coupe de type 41/1A, 27A	4 1/2" - 5" (115mm - 125mm)	4 1/2" (115 mm)
Ø max. du disque à volets abrasifs	4 1/2" - 5" (115mm - 125mm)	4 1/2" (115 mm)
Ø max. du disque de ponçage	4 1/2" - 5" (115mm - 125mm)	4 1/2" (115 mm)
Ø max. de la brosse métallique circulaire	4" - 4 1/2" (102mm - 115mm)	4" - 4 1/2" (102mm - 115mm)
Ø max. de la brosse en coupe métallique	3" (76 mm)	3" (76 mm)

Assemblage

⚠ AVERTISSEMENT Débranchez le bloc-piles de l'outil avant d'effectuer tout assemblage ou réglage, ou de changer des accessoires. Ces mesures de sécurité préventives réduisent le risque d'une mise en marche accidentelle de l'outil.

Insertion et retrait du bloc-piles

Cet outil est pourvu d'un mécanisme de protection contre les remises en marche automatiques. Cette fonction contribue à empêcher les démarrages accidentels après une coupure de courant, p. ex. si le bloc-piles a été retiré avec l'interrupteur verrouillé en position de marche. Pour redémarrer l'outil, faites glisser l'interrupteur coulissant pour le mettre en position d'arrêt (off), puis remettez-le en position de marche (on).

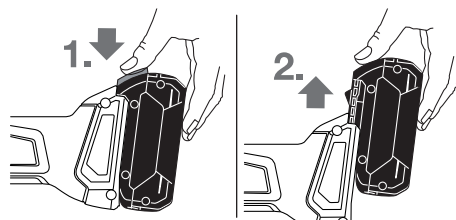
Assurez-vous que l'interrupteur coulissant dans en position d'arrêt (off) avant d'insérer ou de retirer le bloc-piles. (Fig. 1). Pour insérer le bloc-piles, faites-le glisser dans le boîtier jusqu'à ce qu'il se verrouille en place.

Votre outil est muni d'un loquet de verrouillage secondaire qui empêche le bloc-piles de se séparer complètement de la poignée et de tomber au cas où il viendrait à se décrocher à cause des vibrations.

Pour retirer le bloc-piles, appuyez sur le bouton de déclenchement du bloc-piles et faites glisser le bloc-piles vers l'avant.

Appuyez une fois de plus sur le bouton de déclenchement du bloc-piles et faites glisser le bloc-piles jusqu'à ce qu'il sorte complètement du bâti de l'outil (Fig. 3).

Fig. 3



Assemblage

Installation du protecteur de meule

⚠ AVERTISSEMENT Le protecteur de meule doit être attaché en cas d'utilisation de disques de coupe ou de meules abrasives. Veillez à ce que le protecteur de meule soit toujours placé entre votre ouvrage et vous pendant les opérations de coupe ou de meulage.

Fixation du protecteur de meule : Déconnectez le bloc-piles de l'outil.

Appuyez sur le levier de dégagement (Fig. 4) et placez le protecteur de meule sur la bride de fixation du protecteur jusqu'à ce que les clés du protecteur soient alignés sur les encoches du collier de la broche (Fig. 4A).

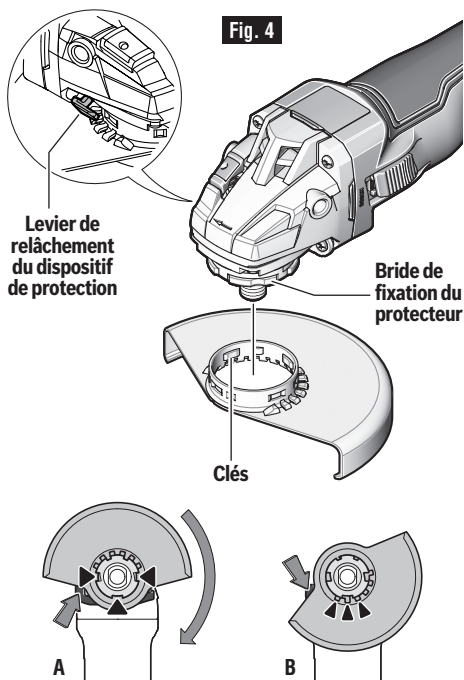
Appuyez sur le protecteur contre la bride de fixation du protecteur jusqu'à ce que l'épaulement du protecteur repose contre la bride de fixation de l'outil et faites tourner le protecteur jusqu'à ce que vous entendiez clairement un déclic indiquant son enclenchement.

Ajustez la position du protecteur en fonction des besoins de votre activité. Pour ce faire, appuyez sur le levier de dégagement en le poussant vers le haut, et faites tourner le protecteur jusqu'à ce que vous entendiez un déclic indiquant qu'il est bien en place, puis ajustez suivant les besoins.

- Ajustez toujours le protecteur de telle façon que toutes les trois cames rouges du levier de dégagement soient enclenchées dans les encoches correspondantes du protecteur (Fig. 4B).
- Ajustez le protecteur de telle façon que les étincelles pouvant être produites par la coupe ou le meulage ne puissent pas être projetées vers l'opérateur.
- Le protecteur ne doit pouvoir tourner que si le levier de dégagement est actionné ! Sinon, l'outil ne pourra être utilisé dans aucune circonstance et devra être apporté à un agent du service après-vente.

Remarque : Les clés d'encodage sur le protecteur assurent que seulement un protecteur compatible avec l'outil pourra être installé.

Retrait du protecteur : Appuyez sur le levier de dégagement, faites tourner le protecteur jusqu'à ce que les clés sur le protecteur soient alignées sur les encoches sur la bride de fixation pour le montage du protecteur et soulevez le protecteur pour le détacher de la bride de fixation (Fig. 4).



Poignée latérale antivibrations

La poignée latérale sert à contrôler et à équilibrer l'outil. La poignée doit être vissée dans le boîtier avant, d'un côté ou de l'autre de l'outil, selon les préférences personnelles et pour le confort de l'utilisateur. Utilisez la poignée latérale pour un contrôle sûr et une opération plus facile (Fig. 1).

Protège-main en option (accessoire en option)

Le protège-main doit être utilisé avec les disques d'appui, les disques de ponçage et les brosses métalliques pour garder les doigts et les mains à distance de la surface de la pièce, des bords tranchants, des barbes et des débris. Quand vous utilisez l'accessoire protège-main disponible en option, insérez la poignée latérale dans l'orifice présent sur le protège-main, puis vissez-la dans le boîtier (Fig. 1).

Assurez-vous que le protège-main est positionné entre la main et le disque d'appui, le disque de ponçage ou la brosse métallique.

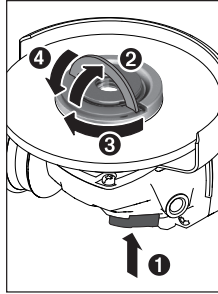
Assemblage

Écrou à fixation rapide

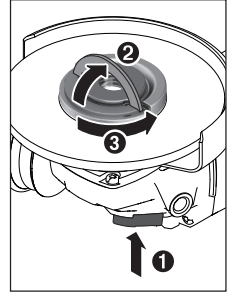
Utilisez l'écrou à fixation rapide pour sécuriser le disque de meulage/cope sans avoir besoin d'outils supplémentaires. Utilisez seulement l'écrou à fixation rapide pour les disques de meulage/cope jusqu'à un diamètre de 4 ½ po.

- **L'écrou à fixation rapide ne peut être utilisé que pour des disques de meulage/cope.**
- **Utilisez seulement des écrous à fixation rapide qui sont en bon état de fonctionnement et qui ne sont pas endommagés.**
- **Lorsque vous vissez, assurez-vous que le côté imprimé de l'écrou à fixation rapide n'est pas face au disque de meulage.**

Appuyez sur le bouton de verrouillage de la broche pour verrouiller la broche de meulage. Pour serrer l'écrou à fixation rapide, repliez la barre vers le haut et faites tourner l'écrou à fixation rapide fermement dans le sens des aiguilles d'une montre. Puis repliez la barre vers le bas pour sécuriser l'écrou à fixation rapide. Il ne suffit pas de serrer le disque contre le bord.



Un écrou à fixation rapide non endommagé qui est sécurisé correctement peut être retiré à la main. Pour ce faire, repliez la barre vers le haut et faites tourner fermement dans le sens contraire des aiguilles d'une montre l'écrou à fixation rapide, Fig. 8. Si l'écrou à fixation rapide est coincé, ne tentez pas de le desserrer avec un outil – utilisez toujours une clé tricoise à deux broches.



⚠ AVERTISSEMENT N'utilisez que des accessoires dont la vitesse de fonctionnement maximale est au moins égale à la vitesse maximale indiquée sur l'outil électrique. Cette vitesse est basée sur la robustesse de la meule. Elle n'est pas censée indiquer la meilleure vitesse ou la vitesse de fonctionnement la plus efficace. Ne dépassez pas la vitesse maximum pour un fonctionnement en toute sécurité.

Assemblage

Écrou de blocage et bride d'appui

Votre outil est équipé d'un arbre fileté sur lequel se montent les accessoires. Utilisez toujours l'écrou à fixation rapide ou l'écrou de blocage BOSCH d'origine (que vous pouvez acheter séparément), ainsi que la bride d'appui, dont le filet a la même taille que celui de l'arbre. La bride d'appui est fixée par une clavette à l'arbre de sortie (Fig. 3). Si vous utilisez l'écrou de blocage d'origine, assurez-vous toujours que l'écrou de blocage est serré correctement au moyen de la clé fournie.

Ensemble de meule à disque

Débranchez le bloc-piles de l'outil. Assurez-vous que le protecteur de meule est en place pour la rectification. Placez la BRIDE D'APPUI et la MEULE sur l'arbre. Vissez l'écrou de blocage et serrez l'écrou à l'aide de la clé à écrous de blocage fournie tout en retenant le blocage d'arbre (Fig. 4).

POUR DÉPOSER : Inversez la procédure.

Ces accessoires ne sont pas recommandés pour emploi avec des meules vissées.

En cas d'utilisation de meules rotatives :

Suivez les étapes 1 & 2, puis enfitez la meule directement sur l'arbre sans utiliser les brides fournies.

RETRAIT : inversez la procédure.

Toutes les parties d'une meule rotative doivent être couvertes par le rebord du dispositif de protection de la meule (Fig. 4). Si la meule rotative dépasse du rebord du dispositif de protection, n'utilisez pas cette meule car cela signifie qu'elle est trop grande pour cet agencement.

⚠ AVERTISSEMENT N'utilisez pas d'accessoires qui tournent de façon excentrique. L'outil vibrera excessivement, ce qui pourrait causer une perte de contrôle et l'éclatement de l'accessoire.

FIG. 4

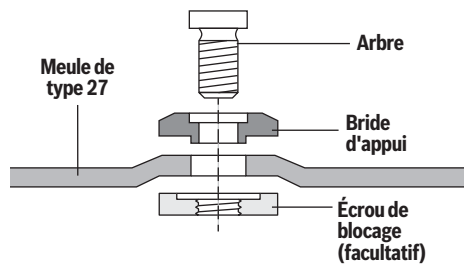
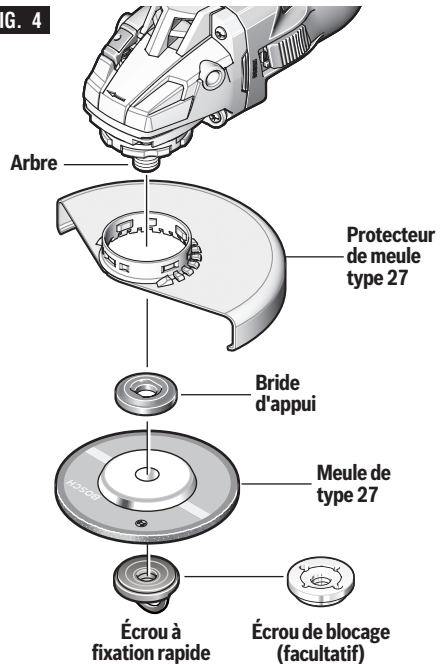
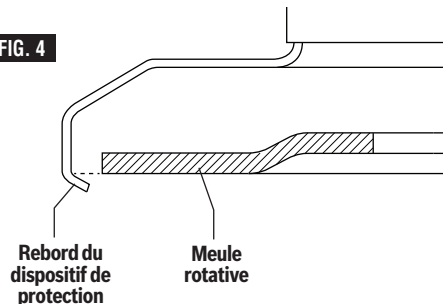


FIG. 4



Assemblage

Ensemble d'accessoires de ponçage

DISQUE D'APPUI

⚠ AVERTISSEMENT Avant d'attacher un disque d'appui, assurez-vous que la vitesse maximale de rotation qu'il peut atteindre, sans compromettre la sécurité de fonctionnement, n'est pas inférieure à la vitesse en marche libre figurant sur la plaquette emblématique de l'outil.

⚠ AVERTISSEMENT La plupart des travaux de ponçage s'effectuent sans le protecteur. Remettez toujours le protecteur en place sur l'outil avant de vous en servir pour le meulage.

⚠ AVERTISSEMENT N'utilisez pas l'écrou à fixation rapide avec un coussinet de soutien pour les accessoires de ponçage.

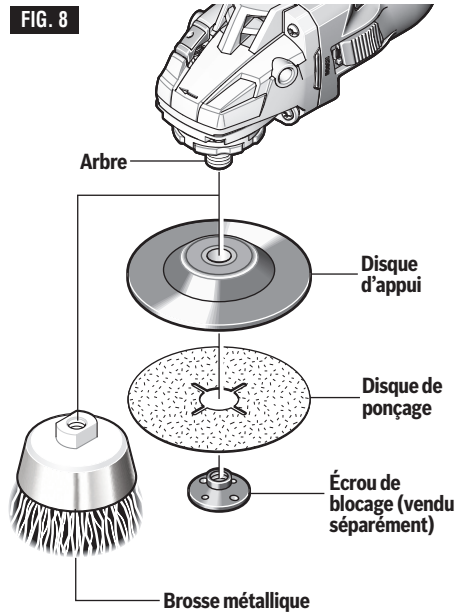
POSE DES DISQUES D'APPUI ET DE PONÇAGE (vendu séparément)

Débranchez le bloc-piles de l'outil.

Fixez le protège-main (Fig. 1). Tournez-le sur le dos (arbre orienté vers le haut). Placez le disque d'appui en caoutchouc sur l'arbre. Centrez le disque de ponçage sur le disque d'appui. Introduisez l'écrou de blocage dans le disque et vissez-le à fond sur l'arbre avec les doigts. Enfoncez le blocage d'arbre, puis serrez le disque d'appui solidement à l'aide de la clé à écrous de blocage (Fig. 8).

POUR DÉPOSER : Inversez la procédure.

FIG. 8

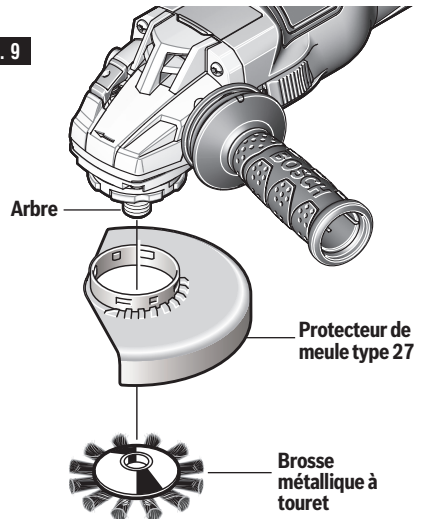


Ensemble de brosse métallique

Avant d'installer une brosse métallique sur cet outil, débranchez ce dernier de la prise de courant. Fixez le protège-main (Fig. 1). Les brosses métalliques sont équipées de leur propre centre fileté, et il suffit de les visser sur l'arbre. Assurez-vous de les asseoir contre l'épaulement avant de mettre l'outil en marche (position ON).

POUR DÉPOSER : Inversez la procédure.

FIG. 9



Ensemble de brosse métallique à touret

Avant d'installer une brosse métallique à touret sur cet outil, débranchez ce dernier de la prise de courant. Fixez un protecteur de type 27 (Fig. 9). Les brosses métalliques à touret sont équipées de leur propre centre fileté, et il suffit de les visser sur l'arbre. Assurez-vous de les asseoir contre l'épaulement avant de mettre l'outil en marche (position ON).

POUR DÉPOSER : Inversez la procédure.

Assemblage

Accessoire d'extraction de la poussière du béton pour montage sur une meule de surfaçage

⚠ AVERTISSEMENT Il n'est pas possible d'utiliser un protège-meule de type 27 pour toutes les opérations de l'outil. Ne jetez pas ce dispositif de protection si vous ne l'utilisez pas. Réinstallez toujours le protège-meule avant de réaliser de nouvelles opérations de meulage.

⚠ AVERTISSEMENT L'accessoire d'extraction de la poussière n'est pas un dispositif de protection. Ne l'utilisez pas avec des meules abrasives à surface agglomérée. L'accessoire d'extraction de la poussière ne protégera peut-être pas l'opérateur en cas d'éclatement de la meule.

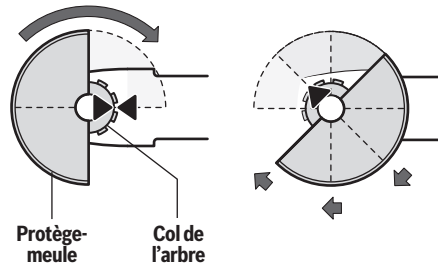
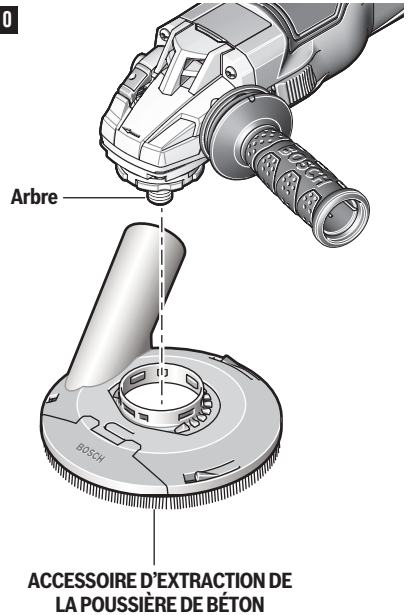
INSTALLATION DE L'ACCESSOIRE D'EXTRACTION DE LA POUSSIERE (FIG. 10)

1. Débranchez l'outil de sa source d'alimentation électrique.
2. Positionnez l'accessoire approprié sur le col de l'arbre avec l'orifice de dépoussiérage orienté dans le sens opposé à celui du corps de l'outil.
3. Faites tourner l'accessoire de 90 degrés dans le sens des aiguilles d'une montre, jusqu'à ce que vous entendiez le déclic indiquant que le dispositif de protection est bien en place.
4. Ajustez l'accessoire en appuyant sur le bouton de libération du dispositif de protection et faites-le tourner jusqu'à ce qu'il soit dans la position désirée.
5. Laissez le bouton de libération du protège-meule revenir à sa place en faisant un déclic.
6. Placez la contre-bride sur l'arbre.
7. Placez la meule boisseau diamantée sur l'arbre et alignez-la sur la bride.
8. Enfillez l'écrou de blocage sur l'arbre de façon que le relief de l'écrou de blocage soit orienté face à l'accessoire.
9. Serrez l'écrou de blocage avec la clé de serrage d'écrous de blocage fournie tout en tenant fermement le dispositif de verrouillage de l'arbre.

En cas d'utilisation de meules rotatives, suivez les étapes 1 à 5, puis enfillez la meule directement sur l'arbre sans utiliser les brides fournies.

RETRAIT : inversez la procédure.

FIG. 10



Assemblage

Montage du dispositif de protection pour un outil de coupe de maçonnerie

⚠ AVERTISSEMENT Il n'est pas possible d'utiliser un protège-meule de type 27 pour toutes les opérations de l'outil. Ne jetez pas ce dispositif de protection, même si vous ne l'utilisez pas. Réinstallez toujours le protège-meule avant de réaliser de nouvelles opérations de meulage.

Pour améliorer l'ergonomie de votre meuleuse lorsque vous coupez de la maçonnerie, il convient de faire tourner la boîte de vitesses par rapport à la position de l'interrupteur étant donné que l'outil avait été assemblé à l'usine.

ROTATION DE LA BOÎTE DE VITESSES (FIG. 11)

1. Débranchez l'outil de sa source d'alimentation électrique.
2. Dévissez complètement les quatre vis entre le carter de la boîte de vitesses et le corps du moteur.
3. Faites tourner le carter de la boîte de vitesse pour le mettre dans l'orientation appropriée sans retirer le moteur du carter.

Pour les modèles à interrupteur coulissant, faites tourner le carter de la boîte de vitesses de 180 degrés dans le sens indiqué à la Fig. 12, de telle sorte que l'interrupteur soit à 90 degrés de l'arbre.

4. Vissez et serrez les quatre vis que vous avez retirées.
5. La vis maintenant en place le levier de libération rapide est plus longue que les autres vis. Cette vis longue doit rester sur le levier de libération rapide lorsque vous rattacherez le carter de la boîte de vitesses pour que le bouton de libération rapide puisse fonctionner correctement.
6. Attachez le dispositif de protection approprié pour le système de collecte de poussière avec le pied et l'accessoire.

INSTALLATION D'UN DISPOSITIF DE PROTECTION POUR UN OUTIL DE COUPE DE MAÇONNERIE DE TYPE 1

1. Utilisez l'outil ajusté tel qu'illustré aux figures 11 et 12.
2. Débranchez l'outil de la source d'alimentation électrique.
3. Dévissez la poignée latérale et retirez-la.
4. Faites glisser le dispositif de protection du système d'extraction de la poussière sur le col de l'arbre.

FIG. 11

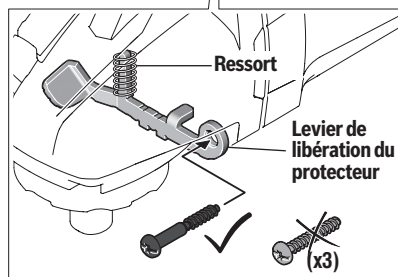
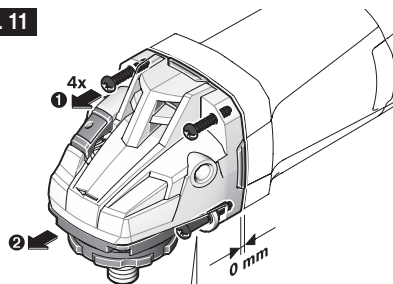
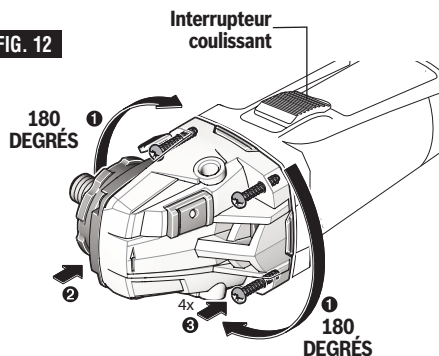


FIG. 12



Assemblage

5. Faites tourner l'accessoire jusqu'à ce que le support de stabilisation et le trou pour la poignée latérale soient alignés.
6. Vissez la poignée latérale de façon à assujettir le support de stabilisation entre le logement de l'outil et la poignée.
7. Ajustez le dispositif de protection en fonction de la profondeur de coupe désirée.

RETRAIT : inversez la procédure.

INSTALLATION DE LA MEULE DIAMANTÉE SECHE (FIG. 13)

1. Placez la contre-bride sur l'arbre. Faites tourner la bride jusqu'à ce qu'elle soit verrouillée avec la base de l'arbre.
2. Placez la meule diamantée sèche sur l'arbre et alignez le trou prévu pour l'arbre dans la meule abrasive sur l'épaulement de la contre-bride.
3. Serrez l'écrou de blocage avec la clé de serrage d'écrous de blocage fournie tout en tenant fermement le dispositif de verrouillage de l'arbre.

RETRAIT : inversez la procédure.

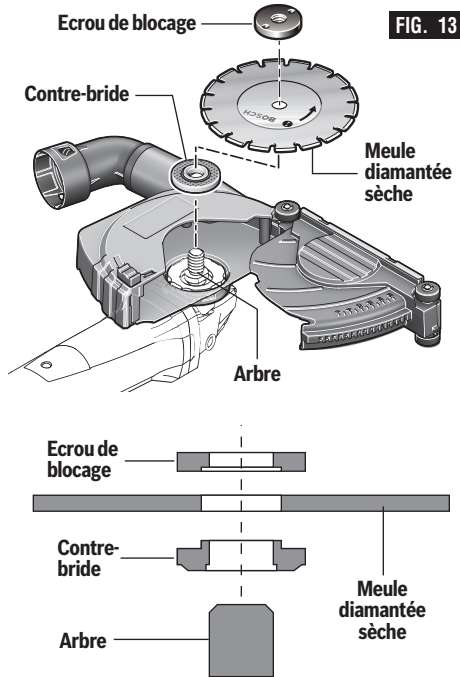


FIG. 13

Assemblage

Installation du module de connectivité GCY30-4 (vendue séparément)

⚠ AVERTISSEMENT Pour réduire le risque de blessure, lisez les instructions d'utilisation qui sont jointes au module de connectivité Bosch. Les instructions d'utilisation pour le module de connectivité contiennent des informations importantes qui ne sont pas couvertes dans ce mode d'emploi.

Si le module de connectivité GCY30-4 n'est pas acheté avec l'outil, ou si le remplacement du module ou des piles devient nécessaire, veuillez suivre cette procédure (voir Fig. 14) :

- En utilisant un tournevis à lame plate ou une pièce de monnaie, retirez le couvercle **A** du côté de la poignée en tournant d'un quart de tour dans le sens contraire des aiguilles d'une montre (Fig. 14 ou 15).
- Si l'outil est déjà muni du module de connectivité, retirez la pile **B** mais pas le module de connectivité **C**.
- Si le module de connectivité est installé pour la première fois, retirez le support de mise en place en plastique **D** du compartiment du module de connectivité et placez le module de connectivité **C** dans le compartiment en respectant l'orientation correcte (Fig. 15). **Remarque :** Rangez le support de mise en place **D** en lieu sûr. Réinsérez le support de mise en place si le module de communications est retiré.
- Puis placez la nouvelle pile **B** sur le module de connectivité avec la polarité « + » orientée vers le haut (Fig. 14).
- Placez le couvercle **A** sur la pile et tournez d'un quart de tour dans le sens des aiguilles d'une montre pour verrouiller en utilisant un tournevis à lame plate ou une pièce de monnaie.

Fig. 14

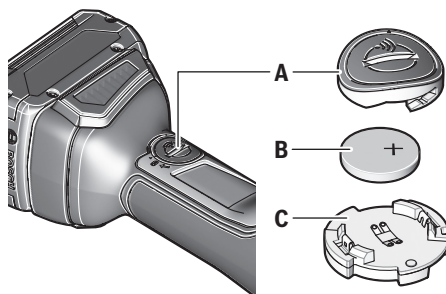
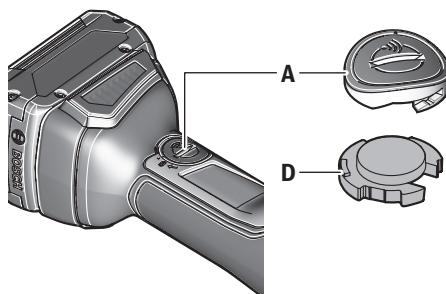


Fig. 15



Consignes de fonctionnement

⚠ AVERTISSEMENT Tenez l'outil à deux mains à la mise en marche car le couple du moteur peut transmettre une certaine torsion.

Mettez l'outil en marche avant de le poser sur la pièce. De même, soulevez-le avant d'en relâcher l'interrupteur. Pour prolonger la durée de l'interrupteur, évitez de le mettre sous tension et hors tension pendant que l'outil est à l'oeuvre.

Interrupteur coulissant (Fig. 16)

POUR METTRE L'OUTIL EN MARCHE, appuyez sur l'arrière de l'interrupteur et faites-le glisser vers l'avant, en direction du boîtier d'engrenages et dans la position de marche (« ON »).

Pour verrouiller l'outil en position de marche (« LOCK-ON »), après que l'opérateur a fait glisser l'interrupteur est dans la position de marche, faites-le rouler vers l'avant.

POUR ARRÊTER L'OUTIL (« OFF »), appuyez sur la partie arrière de l'interrupteur. Il s'agit d'un interrupteur à ressort qui reviendra automatiquement dans la position d'arrêt (« OFF »).

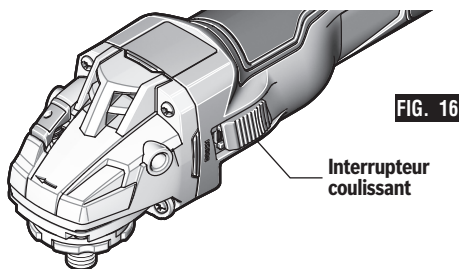


FIG. 16

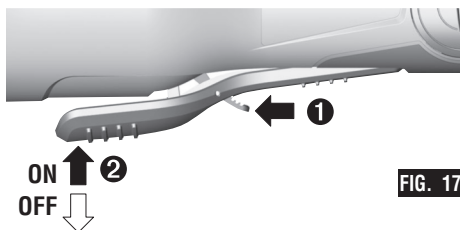


FIG. 17

Interrupteur à palette (Fig. 17)

L'interrupteur à palette est muni d'une fonction de verrouillage en position d'arrêt qui empêche une mise en marche accidentelle.

POUR METTRE L'OUTIL EN MARCHE (« ON »), poussez l'interrupteur de déverrouillage vers l'avant afin de relâcher l'interrupteur à palette, puis comprimez l'interrupteur à palette.

POUR ARRÊTER L'OUTIL (« OFF »), relâchez la pression sur l'interrupteur à palette. Il s'agit d'un interrupteur à ressort qui reviendra automatiquement dans la position d'arrêt (« OFF »).

Consignes de fonctionnement

Travaux de meulage

CHOIX DES MEULES

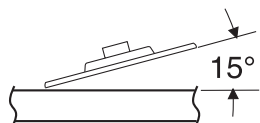
⚠ AVERTISSEMENT Avant d'utiliser une meule, assurez-vous que la vitesse maximale de rotation qu'elle peut atteindre, sans compromettre la sécurité de fonctionnement, n'est pas inférieure à la vitesse en marche libre figurant sur la plaquette emblématique de l'outil. Ne choisissez pas des meules de diamètre supérieur à celui recommandé.

MEULES

Pour de meilleurs résultats, choisissez les meules soigneusement. Les meules diffèrent de plusieurs façons : granulométrie, composition, dureté, taille des particules et structure. Le choix de la meule est dicté par le type de travail à réaliser. Les meules sont recommandées pour le meulage rapide de l'acier de construction, des cordons de soudure prononcés, des pièces d'acier coulé, de l'acier inoxydable et d'autres métaux ferreux.

CONSEILS PRATIQUES

Vous aurez de meilleurs résultats si vous maîtrisez la pression sur l'outil et maintenez l'angle d'inclinaison de la meule entre 10 à 15° avec la pièce. L'outil sera difficile à manœuvrer si vous travaillez avec la meule à plat. Par contre, si la meule est trop fortement inclinée, la pression est concentrée sur une petite surface causant la brûlure de la pièce.



⚠ AVERTISSEMENT La pression exagérée ou soudaine sur la meule ralentira le meulage et soumettra la meule à des contraintes dangereuses.

Lors du rodage d'une meule neuve, assurez-vous de meuler en tirant l'outil vers l'arrière jusqu'à ce que l'arête de la meule devienne arrondie. Les arêtes des meules neuves sont vives et ont tendance à « mordre » ou à trancher la pièce quand l'outil est poussé vers l'avant.

Travaux de coupe

COUPE DE METAUX

⚠ AVERTISSEMENT Un protège-meule de type 1 n'est peut-être pas inclus avec cet outil, mais il est indispensable de s'en servir quand on utilise une molette. L'utilisation d'un protège-meule de type 27 risque de ne pas fournir une protection suffisante à l'opérateur en cas d'éclatement d'une meule.

Avec cet outil, il est possible de couper des quantités limitées de matériaux, comme des tubes, des canalisations ou des barres d'armature. Lorsque vous coupez de tels matériaux, travaillez à une vitesse modérée, adaptée au matériau que vous êtes en train de couper. Lorsque vous coupez des profilés et des barres à section carrée, il est conseillé de commencer par la partie du matériau ayant la section transversale la plus petite.

Prenez toujours les précautions nécessaires pour éviter les chocs en retour.

1. Attendez que l'outil atteigne sa vitesse de fonctionnement normale avant de le mettre en contact avec la surface de travail.
2. L'outil doit toujours être utilisé de telle façon que les étincelles soient dirigées dans le sens opposé à celui de l'opérateur.
3. Appliquez le minimum de pression sur la surface de travail de façon à permettre à l'outil de fonctionner à grande vitesse. Plus la vitesse de l'outil sera élevée, plus la coupe sera rapide.
4. N'exercez pas une pression latérale sur le disque de coupe. N'inclinez pas l'outil et ne le faites pas osciller car cela risquerait de faire éclater la roue (Fig. 18).
5. Retirez l'outil de la surface de travail avant de le mettre hors tension. Attendez que l'outil ait cessé de tourner complètement avant de le poser sur une surface quelconque.

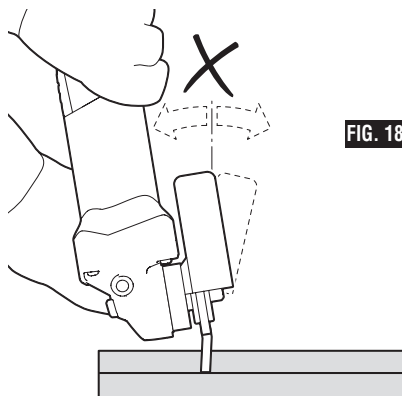


FIG. 18

Consignes de fonctionnement

COUPE DE MAÇONNERIE/BETON

Cette meule vous permet de couper des matériaux en béton et en maçonnerie. Lorsque vous coupez de tels matériaux, travaillez à une vitesse modérée, adaptée au matériau que vous êtes en train de couper.

Prenez toujours les précautions nécessaires pour éviter les chocs en retour.

Utilisez cet outil avec un système d'extraction de la poussière et un équipement de protection personnelle contre la poussière, comme un appareil respiratoire, un masque antipoussière, etc. L'aspirateur employé pour cette application doit être approuvé pour l'extraction de poussière de maçonnerie et de béton. Bosch vend des aspirateurs appropriés dans ce but.

⚠ AVERTISSEMENT Ne tirez jamais cet outil vers l'arrière car la lame pourrait sortir de sa trajectoire et se détacherait du matériau, ce qui produirait un EFFET DE REBOND.

1. Attendez que l'outil atteigne sa vitesse de fonctionnement normale avant de le mettre en contact avec la surface de travail.
2. En cas de coupe en plongée :
 - a. Inclinez l'outil vers l'avant de façon que la meule soit alignée sur le trait de coupe, et tenez l'outil par le corps de la meule et la poignée auxiliaire (Fig. 19).
 - b. Abaissez progressivement la partie arrière de l'outil en utilisant l'extrémité avant du pied comme point d'articulation.
 - c. Lorsque l'outil repose à plat sur la surface en train d'être coupée, coupez vers l'avant jusqu'à ce que vous ayez atteint le point final du trait de coupe.
3. Maintenez toujours un contact entre le pied du dispositif de protection et l'ouvrage.
4. Faites glisser l'outil vers l'avant à une vitesse modérée, adaptée au matériau en train d'être coupé. Coupez toujours en direction de l'orifice d'extraction de la poussière afin de maximiser l'extraction de poussière et de réduire le risque d'effet de rebond (Fig. 20).
5. Appliquez le minimum de pression sur la surface de travail de façon à permettre à l'outil de fonctionner à grande vitesse. Plus la vitesse de l'outil sera élevée, plus la coupe sera rapide.
6. Retirez l'outil de la surface de travail avant de le mettre hors tension. Attendez que l'outil ait cessé de tourner complètement avant de le poser sur une surface quelconque.

Suggestion : lorsque vous devez réaliser des coupes profondes, il est préférable de couper le matériau en plusieurs passes peu profondes. Aucune passe ne doit dépasser la profondeur du segment de la meule. La

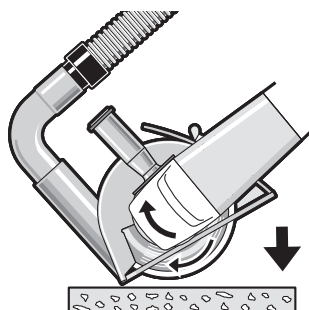


FIG. 19

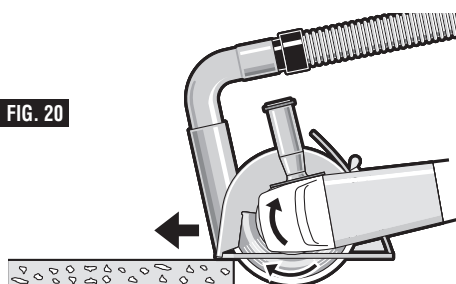


FIG. 20

poussière de maçonnerie est abrasive, et elle risquerait d'affaiblir et d'user l'adhérence du segment.

Lorsque vous coupez un matériau particulièrement dur, p. ex. du béton avec une teneur en cailloux élevée, la meule diamantée sèche risque de surchauffer et d'être endommagée. Ceci est indiqué très clairement par les étincelles circulaires produites par la rotation de la meule diamantée sèche. Dans ce cas, interrompez l'opération de coupe et laissez refroidir la roue diamantée sèche pendant une brève période à la vitesse maximum à vide.

Un ralentissement notable de la progression de l'opération et la production d'étincelles circulaires indiquent qu'une meule diamantée sèche est devenue émoussée. Effectuez alors quelques brèves coupes dans des matériaux abrasifs (p. ex., des briques) pour essayer de réaffûter la meule.

SURFACAGE DU BETON

Utilisez cet outil avec un système d'extraction de la poussière et un équipement de protection personnelle, p. ex., appareil respiratoire, un masque antipoussière, etc. L'aspirateur employé pour cette application doit être approuvé pour l'extraction de poussière de maçonnerie et de béton. Bosch vend des aspirateurs appropriés dans ce but.

Les meules abrasives doivent être sélectionnées soigneusement pour permettre l'utilisation la plus efficace possible. Il existe des types de meules

Consignes de fonctionnement

différents en fonction des matériaux qu'elles sont conçues pour enlever et de leur niveau d'agressivité quand elles enlèvent ces matériaux. La meule la plus appropriée est choisie en fonction de l'application.

1. Attendez que l'outil atteigne sa vitesse de fonctionnement normale avant de le mettre en contact avec la surface de travail.
2. Tenez l'outil des deux mains et veillez à ce que la meule diamantée repose à plat sur la surface de travail.
3. Appliquez le minimum de pression sur la surface de travail de façon à permettre à l'outil de fonctionner à grande vitesse. Plus la vitesse de l'outil sera élevée, plus le surfaçage sera rapide.

4. Déplacez continuellement l'outil à une vitesse modérée pour éviter de faire des rayures sur la surface de travail.

5. Éloignez l'outil de la surface de travail avant de le mettre hors tension. Laissez l'outil s'arrêter de tourner complètement avant de le poser sur une surface quelconque.

Suggestion : pour effectuer une collecte optimale de la poussière, tous les côtés du dispositif de protection pour la collecte de poussière lors de l'opération de surfaçage doivent rester en contact avec la surface, et le dispositif de protection pour le surfaçage doit être raccordé à un aspirateur. Une meule diamantée émoussée peut être réaffûtée en surfaçant brièvement un matériau abrasif (p. ex., du grès).

Travaux de ponçage

CHOIX DES DISQUES DE PONÇAGE

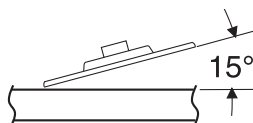
Les disques de ponçage sont fabriqués de particules abrasives d'alumine extrêmement dures et coupantes, fixées avec de la résine phénolique sur une robuste armature en fibres, ce qui leur permet de résister aux gros ponçages à haute vélocité. La granulométrie et l'espacement des particules abrasives varient selon les types de disques. Les disques à GRAIN OUVERT (type H) sont employés pour le ponçage des matériaux tendres et des surfaces peintes ou vernies. Les disques à GRAIN SERRÉ (type K) servent au ponçage des surfaces en métal, bois dur, pierre, marbre et autres matériaux dont le traitement produit des particules fines.

Les disques de ponçage sont fabriqués de particules abrasives allant du calibre 16 (très grossier) au calibre 180 (très fin). Vous obtiendrez de meilleurs résultats si vous choisissez avec soin vos disques de ponçage. De nombreux travaux nécessitent l'emploi de plusieurs calibres de particules abrasives et, dans certains cas, vous auriez intérêt à utiliser à la fois des disques à « grain ouvert » et à « grain serré » pour achever plus rapidement le travail. Voir les explications au tableau.

OPÉRATION : Refinition des surfaces en bois ou en métal peint.	
REMARQUES	GRAIN
Pour décaper la peinture et aplanir les irrégularités de surface.	Gros 16-24-30
Pour adoucir les surfaces ayant subi un ponçage de dégrossissage.	Moyen 36-50-80
Pour enlever les égratignures laissées par un ponçage antérieur.	Fin 100-120
Pour adoucir une surface avant la peinture, le polissage ou le cirage.	Très Fin 150-180

CONSEILS PRATIQUES

Pour obtenir de meilleurs résultats, inclinez la ponceuse à disque à un angle de 10 à 15°, de sorte que la seule partie du disque qui est en contact avec la pièce soit une bande d'environ 2,5 cm de large depuis sa circonférence.



⚠ AVERTISSEMENT Si le disque (accessoire) est maintenu à plat contre la pièce ou si son bord arrière vient en contact avec elle, l'outil risque d'être projeté violemment de côté.

La trop grande inclinaison de la ponceuse causera le ponçage exagéré risquant de marquer, gouger et d'abîmer la surface.

Guidez la ponceuse à disque en la déplaçant dans le sens transversal. Ne vous attardez pas trop longtemps au même endroit. Ne lui imprimez pas de mouvements circulaires car elle laisserait des tourbillons. Effectuez un ponçage d'essai sur une retaille avant d'entreprendre le travail.

Ne forcez pas et n'exercez pas de pression en ponçant. Faites pression uniquement avec le poids de l'outil. Une pression exagérée ralentit effectivement l'outil. Pour un ponçage plus rapide, utilisez un disque à particules de gros calibre.

Décapez la peinture gommée du métal à l'aide d'un disque à « grain ouvert ». Poncez jusqu'à apparition d'étincelles, puis arrêtez pour substituer un disque à « grain serré » et décapez le reste de la peinture.

Consignes de fonctionnement

PONÇAGE DU BOIS

Pour le ponçage du bois, le sens de déplacement du disque à partir du point de contact doit être parallèle aux fibres du bois autant que possible. L'abrasion rapide causée par les disques et les égratignures spiralées qu'ils produisent parfois sont les raisons pour lesquelles on évite généralement de les utiliser pour la finition.

Les égratignures et les traces circulaires sont généralement attribuables à l'emploi d'un disque à particules de trop gros calibre. Quand vous aurez substitué le disque à particules plus fines, effectuez des passes transversales croisant les lignes de ponçage laissées antérieurement par le disque plus grossier.

PONÇAGE DES MÉTAUX

Avant de poncer la tôlerie d'une carrosserie d'automobile ou d'un appareil ménager, nettoyez-la avec un solvant inflammable ou un nettoyeur commercial pour enlever toute trace de cire ou de graisse. Si vous prenez cette précaution, les disques de ponçage produiront une surface plus douce et dureront davantage.

Pour les tâches plus exigeantes, utilisez d'abord un disque à particules de gros calibre. Servez-vous ensuite d'un abrasif moyen pour enlever les égratignures. Pour obtenir un fini bien lisse, employez un disque à particules fines.

Travaux à la brosse métallique

Les brosses métalliques servent à « nettoyer » l'acier de construction, les pièces d'acier coulé, la tôle, la pierre et le béton. Elles servent également à décaper la rouille, le tartre et la peinture.

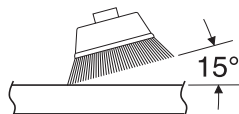
⚠ AVERTISSEMENT Évitez de faire rebondir et de heurter la brosse métallique, surtout en travaillant des coins, des arêtes vives, etc. Ceci peut causer une perte de contrôle et un rebond.

PRESSON DE BROSSAGE

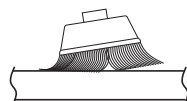
1. Souvenez-vous : ce sont les pointes d'une brosse métallique qui font le travail. N'appliquez qu'une pression très légère sur la brosse de sorte que seules les pointes des poils viennent en contact avec la pièce.
2. Si vous appliquez une pression trop importante, les poils seront surchargés, résultant en un balayage de la pièce. Si ceci se prolonge, la durée de vie de la brosse s'en trouvera écourtée à cause de la fatigue des poils.
3. Appliquez la brosse sur la pièce de manière à ce que la plus grande partie possible de sa tranche soit en contact total avec la pièce. Appliquer le côté ou le bord de la brosse sur la pièce résulterait en une cassure des poils et écourterait sa durée de vie.

BROSSE EN COUPE

CORRECT:
Les pointes des poils font le travail.

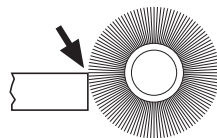


INCORRECT:
Pression excessive risquant de briser les poils.

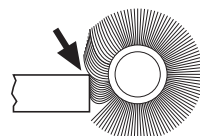


BROSSE MÉTALLIQUE CIRCULAIRE

CORRECT:
Les pointes des poils font le travail.



INCORRECT:
Pression excessive risquant de briser les poils.



Consignes de fonctionnement

⚠ AVERTISSEMENT Attendez que l'accessoire de la meuleuse s'arrête complètement avant de poser l'outil. L'action de freinage de cette meuleuse n'est pas conçue pour servir de fonction de sécurité.

L'utilisation du dispositif de protection approprié lorsque vous utilisez la meuleuse est votre meilleure protection contre un contact accidentel avec un accessoire en train de tourner. Un contact accidentel avec un accessoire en train de tourner peut causer des dommages matériels et/ou des blessures.

⚠ AVERTISSEMENT Assurez-vous que vous connaissez l'état de charge de votre pile. L'action de freinage électrique n'est déclenchée QUE par le relâchement de l'interrupteur à gâchette, et seulement dans un outil pouvant être connecté à une source d'alimentation électrique. En cas de perte d'alimentation électrique en conséquence d'une pile déchargée ou pour toute autre cause, le frein électrique ne fonctionnera pas et le moteur ralentira progressivement. Un arrêt inattendu peut causer des dommages matériels et/ou des blessures.

Votre meuleuse est pourvue d'un frein électrique automatique qui est conçu pour empêcher rapidement l'accessoire de tourner après avoir relâché la gâchette. Cette fonctionnalité améliore la productivité sur le lieu de travail.

Le freinage commence dès que l'alimentation électrique est désactivée. Le frein nécessite une pile chargée pour pouvoir fonctionner. Le temps nécessaire pour causer l'arrêt de l'accessoire dépendra, entre autres facteurs, de l'accessoire utilisé et du nombre de mouvements d'actionnement du frein. Le frein électrique de votre meuleuse a été conçu pour être extrêmement fiable, mais des circonstances inattendues telles que de la contamination ou une défaillance de composants du moteur pourraient empêcher le frein de fonctionner. Si l'outil fonctionne mais que le frein n'arrête pas systématiquement l'accessoire, n'utilisez PAS la meuleuse et faites-la réparer par un centre de service usine Bosch ou par un centre de réparation Bosch agréé.

Consignes de fonctionnement

Utilisation de l'appli « Bosch toolbox » (boîte à outils Bosch)

Lancez l'application «Bosch ToolBox» sur votre appareil mobile et cliquez sur l'icône / la vignette «Mes outils». Suivez les instructions de l'application pour coupler l'outil avec l'appareil mobile.

Après avoir apparié votre outil avec un dispositif mobile, vous pouvez ajuster certaines fonctions ou vérifier le statut de l'outil électrique en utilisant l'appli Bosch Toolbox.

- A. Bouton Help (Aide)** – appuyez sur ce bouton pour afficher l'écran d'aide.
 - B. Photo Tool (Outil)** – appuyez sur la photo pour personnaliser la photographie de l'outil.
 - C. Statut de charge des piles de l'outil électrique** – le nombre de « piles » vertes indique le niveau de charge estimé pour le bloc-piles.
 - D. Surnom de l'outil électrique** – appuyez sur l'icône « crayon » pour personnaliser le surnom de l'outil. Vous pouvez faire la même chose lorsque vous changez la photo de l'outil.
 - E. Barre de statut de connexion** – ici vous pouvez voir la force de la connexion (signal) indiquée par des barres verticales. Vous pouvez utiliser l'interrupteur à bascule pour déconnecter l'outil de votre dispositif mobile.
 - F. Interrupteur à bascule Factory Reset (Réinitialisation usine)** – vous pouvez réinitialiser l'outil en réactivant les paramètres de réglage par défaut qui avaient été fixés à l'usine.
 - G. Alertes Tool (Outil)** – appuyez sur « alerts triangle » (triangle d'alertes) pour afficher toutes les alertes reçues par l'outil.
 - H. Bouton Info** – affiche des informations sur l'outil et ses spécifications.
- Remarque:** Vérifiez l'application «Bosch Toolbox» sur votre appareil mobile pour la dernière version de l'application et les mises à jour.



Entretien

⚠ AVERTISSEMENT Pour éviter les accidents, débranchez toujours l'outil et/ou le chargeur de la source de courant avant de nettoyer.

Service

⚠ AVERTISSEMENT IL N'EXISTE À L'INTÉRIEUR AUCUNE PIÈCE SUSCEPTIBLE D'ÊTRE ENTRETENUE PAR L'UTILISATEUR. L'entretien préventif exécuté par des personnes non autorisés peut entraîner un positionnement erroné des composants et des fils internes, ce qui peut présenter de graves dangers.

Nous recommandons de confier toute intervention d'entretien sur l'outil à un centre de service-usine Bosch ou à un centre de service après-vente Bosch agréé. TECHNICIENS : Débranchez l'outil et/ou le chargeur de la source de courant avant d'entretenir.

Piles

Faire attention aux blocs-piles qui approchent la fin de leur vie. Si vous remarquez une diminution dans les performances de votre outil ou une durée de fonctionnement réduite de manière significative entre charges, il est temps de remplacer le bloc-piles. S'il n'est pas remplacé, il se peut qu'il endommage le chargeur ou que l'outil fonctionne incorrectement.

Graissage de l'outil

Votre outil Bosch a été graissé de manière appropriée et il est prêt à l'usage.

Moteurs C.C.

Le moteur de votre outil a été conçu pour de nombreuses heures d'utilisation fiable. Pour maintenir l'efficacité maximale du moteur, nous recommandons de l'examiner tous les six mois. Seul un moteur de remplacement Bosch authentique, conçu spécialement pour votre outil, doit être utilisé.

Nettoyage

⚠ MISE EN GARDE Certains agents de nettoyages et certains dissolvants abiment les pièces en plastique. Parmi ceux-ci se trouvent: l'essence, le tétrachlorure de carbone, les dissolvants de nettoyage chlorés, l'ammoniaque ainsi que les détergents domestiques qui en contiennent.

Les prises d'air et les leviers de commutation doivent être gardés propres et exempts de corps étrangers. Ne tentez pas de nettoyer en insérant des objets pointus à travers l'ouverture.

Accessoires ou attachements

⚠ AVERTISSEMENT L'utilisation d'autres accessoires ou attachements non spécifiés dans ce mode d'emploi pourrait être dangereuse.





Ranger les accessoires dans un environnement sec et tempéré pour éviter les risques de corrosion et de détérioration.

équipement standard	accessoire en option
<ul style="list-style-type: none">- Protecteur de meule Type 27- Quick-clamping nut- Bride d'appui- Poignée latérale- Clé de serrage	<ul style="list-style-type: none">- Écrou de blocage- Protecteur de meule Type 41/1A- Protège-main

REMARQUE : ces accessoires ne sont pas recommandés pour emploi avec des meules en coupe de Type 11.

Símbolos de seguridad

Las definiciones que aparecen a continuación describen el nivel de gravedad de cada palabra de señal de seguridad. Por favor, lea el manual y preste atención a estos símbolos.

	Éste es el símbolo de alerta de seguridad. Se utiliza para alertarle a usted de posibles peligros de lesiones corporales. Obedezca todos los mensajes de seguridad que sigan a este símbolo para evitar posibles lesiones o muerte.
	PELIGRO indica una situación peligrosa que, si no se evita, causará la muerte o lesiones graves.
	ADVERTENCIA indica una situación peligrosa que, si no se evita, podría causar la muerte o lesiones graves.
	PRECAUCIÓN indica una situación peligrosa que, si no se evita, podría causar lesiones leves o moderadas.

Advertencias generales de seguridad para herramientas mecánicas



Lea todas las advertencias de seguridad y todas las instrucciones. Si no se siguen las advertencias e instrucciones, el resultado podría ser sacudidas eléctricas, incendio y/o lesiones graves.

GUARDE TODAS LAS ADVERTENCIAS E INSTRUCCIONES PARA REFERENCIA FUTURA

La expresión "herramienta mecánica" en las advertencias se refiere a su herramienta mecánica alimentada por la red eléctrica (herramienta alámbrica) o su herramienta mecánica alimentada por baterías (herramienta inalámbrica).

Seguridad del área de trabajo

Mantenga el área de trabajo limpia y bien iluminada. Las áreas desordenadas u oscuras invitan a que se produzcan accidentes.

No utilice herramientas mecánicas en atmósferas explosivas, como por ejemplo en presencia de líquidos, gases o polvos inflamables. Las herramientas mecánicas generan chispas que pueden incendiar el polvo o los vapores.

Mantenga alejados a los niños y a las personas que estén presentes mientras esté utilizando una herramienta mecánica. Las distracciones pueden hacerle perder el control de la herramienta.

Seguridad eléctrica

Los enchufes de las herramientas mecánicas deben coincidir con el tomacorriente. No modifique nunca el enchufe de ningún modo. No use enchufes adaptadores con herramientas mecánicas conectadas a tierra (puestas a tierra). Los enchufes no modificados y los tomacorrientes coincidentes reducirán el riesgo de sacudidas eléctricas.

Evite el contacto del cuerpo con las superficies conectadas o puestas a tierra, tales como tuberías, radiadores, estufas y refrigeradores. Hay un aumento del riesgo de sacudidas eléctricas si el cuerpo del operador se conecta o pone a tierra.

No exponga las herramientas mecánicas a la lluvia o a condiciones mojadas. La entrada de agua en una herramienta mecánica aumentará el riesgo de que se produzcan sacudidas eléctricas.

No maltrate el cordón de energía. No use nunca el cordón para transportar la herramienta mecánica, tirar de ella o desenchufarla. Mantenga el cordón alejado del calor, el aceite, los bordes afilados o las piezas móviles. Los cordones dañados o enganchados aumentan el riesgo de que se produzcan sacudidas eléctricas.

Cuando utilice una herramienta mecánica en el exterior, use un cordón de extensión adecuado para uso a la intemperie. La utilización de un cordón adecuado para uso a la intemperie reduce el riesgo de que se produzcan sacudidas eléctricas.

Si es inevitable utilizar una herramienta mecánica en un lugar húmedo, utilice una fuente de energía protegida por un interruptor de circuito accionado por corriente de pérdida a tierra (GFCI). El uso de un GFCI reduce el riesgo de sacudidas eléctricas.

Seguridad personal

Manténgase alerta, fíjese en lo que está haciendo y use el sentido común cuando esté utilizando una herramienta mecánica. No use una herramienta mecánica cuando esté cansado o bajo la influencia de drogas, alcohol o medicamentos. Un momento de

distracción mientras esté utilizando herramientas mecánicas podría causar lesiones corporales graves.

Use equipo de protección personal. Use siempre protección de los ojos. El equipo de protección, como por ejemplo una máscara antipolvo, calzado de seguridad antideslizante, casco o protección de oídos, utilizado para las condiciones apropiadas, reducirá las lesiones corporales.

Evite el arranque accidental. Asegúrese de que el interruptor esté en la posición de apagado antes de conectar la herramienta a la fuente de energía y / o al paquete de batería, levantar la herramienta o transportarla. Transportar herramientas mecánicas con un dedo en el interruptor o encender herramientas mecánicas que tengan el interruptor en la posición de encendido invita a que se produzcan accidentes.

Quite todas las llaves de ajuste o de tuerca antes de encender la herramienta mecánica. Una llave de tuerca o de ajuste que se deje colocada en una pieza giratoria de la herramienta mecánica podría causar lesiones corporales.

No intente alcanzar demasiado lejos. Mantenga un apoyo de los pies y un equilibrio apropiados en todo momento. Esto permite controlar mejor la herramienta mecánica en situaciones inesperadas.

Vístase adecuadamente. No use ropa holgada ni alhajas holgadas. Mantenga el pelo, la ropa y los guantes alejados de las piezas móviles. La ropa holgada, las alhajas holgadas o el pelo largo pueden quedar atrapados en las piezas móviles.

Si se proporcionan dispositivos para la conexión de instalaciones de extracción y recolección de polvo, asegúrese de que dichas instalaciones estén conectadas y se usen correctamente. El uso de dispositivos de recolección de polvo puede reducir los peligros relacionados con el polvo.

Uso y cuidado de las herramientas mecánicas

No fuerce la herramienta mecánica. Use la herramienta mecánica correcta para la aplicación que desee realizar. La herramienta mecánica correcta hará el trabajo mejor y con más seguridad a la capacidad nominal para la que fue diseñada.

No use la herramienta mecánica si el interruptor no la enciende y apaga. Toda herramienta mecánica que no se pueda controlar con el interruptor es peligrosa y debe ser reparada.

Desconecte el enchufe de la fuente de energía y/o el paquete de batería de la herramienta mecánica antes de hacer cualquier ajuste, cambiar accesorios o almacenar herramientas mecánicas. Dichas medidas preventivas de seguridad reducen el riesgo de arrancar accidentalmente la herramienta mecánica.

Guarde las herramientas que no esté usando fuera del alcance de los niños y no deje que personas que no estén familiarizadas con la herramienta mecánica o con estas instrucciones utilicen la herramienta. Las

herramientas mecánicas son peligrosas en manos de usuarios que no hayan recibido capacitación.

Mantenga las herramientas mecánicas. Compruebe si hay piezas móviles desalineadas o que se atorán, si hay piezas rotas y si existe cualquier otra situación que podría afectar el funcionamiento de la herramienta mecánica. Si la herramienta mecánica está dañada, haga que la reparen antes de usarla. Muchos accidentes son causados por herramientas mecánicas mantenidas deficientemente.

Mantenga las herramientas de corte afiladas y limpias. Es menos probable que las herramientas de corte mantenidas apropiadamente, con bordes de corte afilados, se atorén, y dichas herramientas son más fáciles de controlar.

Utilice la herramienta mecánica, los accesorios, las brocas de la herramienta, etc., de acuerdo con estas instrucciones, teniendo en cuenta las condiciones de trabajo y el trabajo que se vaya a realizar. El uso de la herramienta mecánica para operaciones distintas a aquéllas para las que fue diseñada podría causar una situación peligrosa.

Uso y cuidado de las herramientas alimentadas por baterías

Recargue las baterías solamente con el cargador especificado por el fabricante. Un cargador que es adecuado para un tipo de paquete de batería puede crear un riesgo de incendio cuando se utiliza con otro paquete de batería.

Utilice las herramientas mecánicas solamente con paquetes de batería designados específicamente. El uso de cualquier otro paquete de batería puede crear un riesgo de lesiones e incendio.

Cuando el paquete de batería no se esté usando, manténgalo alejado de otros objetos metálicos, tales como sujetapapeles, monedas, llaves, clavos, tornillos u otros objetos metálicos pequeños que pueden hacer una conexión de un terminal a otro. Si se cortocircuitan los terminales de la batería uno con otro, se pueden causar quemaduras o un incendio.

En condiciones abusivas, es posible que se eyecte líquido de la batería. Evite el contacto. Si se produce un contacto accidental, enjuáguese con agua. Si el líquido entra en contacto con los ojos, obtenga además ayuda médica. El líquido que salga eyectado de la batería puede causar irritación o quemaduras.

Servicio de ajustes y reparaciones

Haga que su herramienta mecánica reciba servicio de un técnico de reparaciones calificado, utilizando únicamente piezas de repuesto idénticas. Esto asegurará que se mantenga la seguridad de la herramienta mecánica.

Advertencias de seguridad específicas para herramientas mecánicas

Advertencias de seguridad comunes para las operaciones de amolado, lijado, cepillado con cepillo de alambre y corte con ruedas abrasivas:

Esta herramienta mecánica está diseñada para funcionar como amoladora, lijadora, cepillo de alambre o herramienta recortadora. Lea todas las advertencias de seguridad, instrucciones, ilustraciones y especificaciones suministradas con esta herramienta mecánica. Si no se siguen todas las instrucciones que se indican a continuación, el resultado podría ser descargas eléctricas, incendio y/o lesiones graves.

No se recomienda realizar operaciones tales como pulir con esta herramienta eléctrica. Las operaciones para las cuales la herramienta mecánica no fue diseñada pueden crear un peligro y causar lesiones corporales.

No utilice accesorios que no estén diseñados y recomendados específicamente por el fabricante de la herramienta. Sólo porque el accesorio se pueda instalar en su herramienta mecánica, eso no garantiza una operación segura.

La velocidad nominal del accesorio debe ser al menos igual a la velocidad marcada en la herramienta mecánica. Los accesorios que funcionen más rápidamente que su VELOCIDAD NOMINAL se pueden romper y salir despedidos.

El diámetro exterior y el grosor de su accesorio deben estar dentro de la capacidad nominal de su herramienta mecánica. Los accesorios de tamaño incorrecto no se pueden proteger ni controlar adecuadamente.

La montura roscada de los accesorios debe coincidir con la rosca del husillo de la AMOLADORA. En el caso de los accesorios montados por PESTAÑAS, el agujero del accesorio para el eje portaherramienta debe encajar en el diámetro ubicador de la PESTAÑA. Los accesorios que no coincidan con los herrajes de montaje de la herramienta eléctrica funcionarán desequilibrados, vibrarán excesivamente y podrían causar pérdida de control.

No utilice un accesorio que esté dañado. Antes de cada uso, inspeccione el accesorio, como por ejemplo las ruedas abrasivas para comprobar si tienen picaduras y grietas, la zapata de soporte para comprobar si tiene grietas, desgarraduras o desgaste excesivo, y el cepillo de alambre para comprobar si hay alambres flojos o agrietados. Si la herramienta mecánica o el accesorio se cae, realice una inspección para comprobar si se ha dañado o instale un accesorio que no esté dañado. Después de inspeccionar e instalar un accesorio, posicione usted y posicione a las personas que estén presentes alejados del plano del accesorio que gira y haga funcionar la herramienta mecánica a la máxima velocidad sin carga durante un minuto. Normalmente, los accesorios dañados seromperán en pedazos durante este tiempo de prueba.

Utilice equipo de protección personal. Dependiendo de la aplicación, use una careta, anteojos de seguridad o lentes de seguridad. Según sea apropiado, use una máscara antipolvo, protectores de la audición, guantes y un delantal de taller capaz de detener pequeños fragmentos de abrasivo o de la pieza de trabajo. La protección de los ojos debe ser capaz de detener los residuos que salgan despedidos al ser generados por diversas operaciones. La máscara antipolvo o el respirador debe ser capaz de filtrar las partículas generadas por la operación que usted realice. La exposición prolongada a ruido de alta intensidad puede causar pérdida de audición.

Mantenga a las personas presentes a una distancia segura del área de trabajo. Toda persona que entre al área de trabajo debe usar equipo de protección personal. Los fragmentos de la pieza de trabajo o de un accesorio roto pueden salir despedidos y causar lesiones más allá del área inmediata de operación.

Agarre la herramienta mecánica solamente por las superficies de agarre con aislamiento cuando realice una operación en la que el accesorio de corte pueda entrar en contacto con cables ocultos. Si un accesorio de corte entra en contacto con un cable "con corriente", eso puede hacer que las partes metálicas de la herramienta mecánica que estén al descubierto "lleven corriente" y causen descargas eléctricas al operador.

No deje nunca la herramienta mecánica en ningún lugar hasta que el accesorio se haya detenido por completo. El accesorio que gira se puede enganchar en la superficie y tirar de la herramienta mecánica hasta hacer que usted pierda el control.

No haga funcionar la herramienta mecánica mientras la lleva a su lado. El contacto accidental con el accesorio que gira podría enganchar la ropa del operador y tirar del accesorio hacia su cuerpo.

Limpie regularmente las aberturas de ventilación de la herramienta mecánica. El ventilador del motor absorberá el polvo al interior de la carcasa y la acumulación excesiva de metal en polvo puede causar peligros eléctricos.

No utilice la herramienta mecánica cerca de materiales inflamables. Las chispas podrían incendiar estos materiales.

No utilice accesorios que requieran enfriadores líquidos. La utilización de agua u otros enfriadores líquidos puede causar electrocución o descargas eléctricas.

Retroceso y advertencias relacionadas

El retroceso es una reacción repentina a una rueda que gira, una zapata de soporte, un cepillo o cualquier otro accesorio que resulte pellizcado o enganchado. El pellizcamiento o el enganche causan una parada rápida del accesorio que gira, lo cual a su vez hace que la herramienta mecánica descontrolada sea forzada en sentido opuesto al de rotación del accesorio en el punto del atoramiento.

Por ejemplo, si la pieza de trabajo engancha o pellizca una rueda abrasiva, el borde de la rueda que esté entrando en el punto de pellizcamiento puede penetrar en la superficie del material, haciendo que la rueda se salga del corte o experimente retroceso. La rueda puede saltar hacia el operador o alejándose de éste, dependiendo del sentido de movimiento de dicha rueda en el punto de pellizcamiento. Las ruedas abrasivas también se pueden romper en estas condiciones.

El retroceso es el resultado de la utilización indebida de la herramienta mecánica y/o de procedimientos o condiciones de operación incorrectos, y se puede evitar tomando las precauciones apropiadas que se indican a continuación.

Mantenga un agarre firme de la herramienta mecánica y posicione el cuerpo y el brazo para permitir que usted resista las fuerzas de retroceso. Utilice siempre el mango auxiliar, si se suministra, para tener el máximo control sobre el retroceso o la reacción de fuerza de torsión durante el arranque. El operador puede controlar las reacciones de fuerza de torsión o las fuerzas de retroceso, si se toman las precauciones apropiadas.

No coloque nunca la mano cerca del accesorio que gira. El accesorio puede experimentar retroceso sobre la mano.

No ubique el cuerpo en el área donde la herramienta mecánica se moverá si se produce retroceso. El retroceso propulsará la herramienta en sentido contrario al del movimiento de la rueda en el punto de enganche.

Tenga cuidado especial cuando trabaje en esquinas, bordes afilados, etc. Evite hacer rebotar y enganchar el accesorio. Las esquinas, los bordes afilados o los rebotes tienen tendencia a enganchar el accesorio que gira y causar pérdida de control o retroceso.

No instale una hoja de cadena de sierra para tallar madera ni una hoja con dientes de sierra. Dichas hojas generan retroceso y pérdida de control frecuentes.

Advertencias de seguridad específicas para las operaciones de amolado y corte con ruedas abrasivas:

Utilice únicamente los tipos de rueda que estén recomendados para su herramienta mecánica y el protector específico diseñado para la rueda seleccionada. Las ruedas para las cuales no se diseñó la herramienta mecánica no pueden ser protegidas adecuadamente y son inseguras.

La superficie de amolado de las ruedas con depresión en el centro se debe montar de manera que esté debajo del plano del reborde del protector. Una rueda montada incorrectamente que sobresalga a través del plano del reborde del protector no se puede proteger adecuadamente.

El protector se debe instalar firmemente en la herramienta mecánica y se debe posicionar de manera que brinde la máxima seguridad, para que la cantidad de rueda que esté expuesta hacia el operador sea mínima. El protector ayuda a proteger al operador contra los fragmentos de rueda rota y el contacto accidental con la rueda.

Las ruedas se deben utilizar solamente para las aplicaciones recomendadas. Por ejemplo: no amuele con el lado de una rueda recortadora. Las ruedas recortadoras abrasivas están diseñadas para realizar amolado periférico; las fuerzas laterales aplicadas a estas ruedas pueden hacer que se rompan en pedazos.

Utilice siempre pestañas de rueda no dañadas que tengan el tamaño y la forma correctos para la rueda que usted seleccione. Las pestañas de rueda apropiadas soportan la rueda, con lo cual reducen la posibilidad de que la rueda se rompa. Las pestañas para las ruedas recortadoras pueden ser diferentes a las pestañas para las ruedas de amolar.

No utilice ruedas desgastadas de herramientas mecánicas más grandes. La rueda diseñada para una herramienta mecánica más grande no es adecuada para la velocidad más alta de una herramienta más pequeña y puede reventar.

Advertencias de seguridad específicas para las operaciones de corte con ruedas abrasivas:

No “atore” la rueda recortadora ni ejerza una presión excesiva. No intente lograr una profundidad de corte excesiva. Si se somete la rueda a una tensión excesiva, se aumenta la carga y la susceptibilidad de la rueda a torcerse o atorarse en el corte, así como la posibilidad de retroceso o rotura de la rueda.

No posicione el cuerpo en línea con la rueda que gira ni detrás de ella. Cuando la rueda, en el punto de operación, se esté moviendo alejándose del cuerpo del operador, el posible retroceso podría propulsar la rueda que gira y la herramienta mecánica directamente hacia usted.

Cuando la rueda se esté atorando o cuando se interrumpa un corte por cualquier motivo, apague la herramienta mecánica y sujétela en posición inmóvil hasta que la rueda se detenga por completo. No intente nunca sacar del corte la rueda recortadora mientras dicha rueda esté en movimiento, ya que si lo hace podría ocurrir retroceso. Investigue la causa del atoramiento de la rueda y tome medidas correctivas para eliminar dicha causa.

No reinicie la operación de corte en la pieza de trabajo. Deje que la rueda alcance su velocidad máxima y reentre cuidadosamente en el corte. La rueda se puede atorar, desviar o experimentar retroceso si la herramienta mecánica es rearrancada en la pieza de trabajo.

Soporte los paneles o cualquier pieza de trabajo muy grande para minimizar el riesgo de pellizcamiento y retroceso de la rueda. Las piezas de trabajo grandes tienden a combarse bajo su propio peso. Se deben colocar soportes debajo de la pieza de trabajo cerca de la línea de corte y cerca del borde de la pieza de trabajo a ambos lados de la rueda.

Tenga precaución adicional cuando haga un “corte de bolsillo” en paredes existentes u otras áreas ciegas. La rueda que sobresale podría cortar tuberías de gas o agua, cables eléctricos y objetos que pueden causar retroceso.

No utilice ruedas abrasivas de tipo 1 diseñadas para amoladoras rectas.

No intente cortar material grande ni chapas de metal, ya que esta máquina no está diseñada para ser una máquina recortadora dedicada.

Advertencias de seguridad específicas para las operaciones de lijado:

No utilice papel de disco de lijar excesivamente grande. Siga las recomendaciones del fabricante cuando seleccione el papel de lija. El papel de lija más grande que sobresale de la zapata de lijar presenta un peligro de laceraciones y puede causar enganche, desgarradura del disco o retroceso.

Advertencias de seguridad para las operaciones con cepillo de alambre:

Tenga presente que el cepillo lanza cerdas de alambre incluso durante la operación ordinaria. No someta los alambres a una tensión excesiva al aplicar una carga excesiva al cepillo. Las cerdas de alambre pueden penetrar fácilmente en la ropa ligera y/o la piel.

Si se recomienda utilizar un protector para realizar operaciones con cepillo de alambre, no permita ninguna interferencia de la rueda con rayos de alambre o el cepillo de alambre con el protector. La rueda con rayos de alambre o el cepillo de alambre se puede expandir en diámetro debido a la carga de trabajo y las fuerzas centrífugas.

Advertencias de seguridad adicionales

No use herramientas mecánicas con capacidad nominal solamente para CA con una fuente de energía de CC. Aunque pueda parecer que la herramienta funciona correctamente, es probable que los componentes eléctricos de la herramienta con capacidad nominal para CA fallen y creen un peligro para el operador.

Mantenga los mangos secos, limpios y libres de aceite y grasa. Las manos resbalosas no pueden controlar de modo seguro la herramienta mecánica.

Use abrazaderas u otro modo práctico de sujetar y soportar la pieza de trabajo en una plataforma estable. Si se sujeta la pieza de trabajo con la mano o contra el cuerpo, se crea una situación inestable que podría causar pérdida de control.

Desarrolle un programa de mantenimiento periódico de la herramienta. Cuando limpie una herramienta, tenga cuidado de no desmontar ninguna de sus partes, ya que los cables internos podrían reubicarse incorrectamente o pellizcarse, o los resortes de retorno de los protectores de seguridad podrían montarse incorrectamente. Ciertos agentes de limpieza, tales como gasolina, tetracloruro de carbono, amoníaco, etc., podrían dañar las piezas de plástico.

No utilice sistemas de aspiración u otro sistema de recolección de polvo al cortar metal. Las chispas generadas al cortar metal pueden causar un incendio en el colector.










⚠ ADVERTENCIA **Cierto polvo generado por el lijado, aserrado, amolado y taladrado mecánicos, y por otras actividades de construcción, contiene agentes químicos que se sabe que causan cáncer, defectos de nacimiento u otros daños sobre la reproducción. Algunos ejemplos de estos agentes químicos son:**

- Plomo de pinturas a base de plomo,
- Sílice cristalina de ladrillos y cemento y otros productos de mampostería, y
- Arsénico y cromo de madera tratada químicamente.

Su riesgo por causa de estas exposiciones varía, dependiendo de con cuánta frecuencia realice este tipo de trabajo. Para reducir su exposición a estos agentes químicos: trabaje en un área bien ventilada y trabaje con equipo de seguridad aprobado, como por ejemplo máscaras antipolvo que estén diseñadas especialmente para impedir mediante filtración el paso de partículas microscópicas.












Símbolos

IMPORTANTE: Es posible que algunos de los símbolos siguientes se usen en su herramienta. Por favor, estúdielos y aprenda su significado. La interpretación adecuada de estos símbolos le permitirá utilizar la herramienta mejor y con más seguridad.

Símbolo	Désignación / Explicación
V	Volt (tensión)
A	Ampere (corriente)
Hz	Hertz (frecuencia, ciclos por segundo)
W	Watt (potencia)
kg	Kilogramo (peso)
min	Minuto (tiempo)
s	Segundo (tiempo)
	Diámetro (tamaño de las brocas taladradoras, muelas, etc)
n_0	Velocidad sin carga (velocidad rotacional sin carga)
n	Velocidad nominal (máxima velocidad obtenible)
.../min	Revoluciones o alternación por minuto (revoluciones, golpes, velocidad de superficie, órbitas, etc., por minuto)
0	Posición "off" (velocidad cero, par motor cero...)
1, 2, 3, ... I, II, III,	Graduaciones del selector (graduaciones de velocidad, par motor o posición. Un número más alto significa mayor velocidad)
	Selector infinitamente variable con apagado (la velocidad aumenta desde la graduación de 0)
	Flecha (Acción en la dirección de la flecha)
	Corriente alterna (tipo o una característica de corriente)
	Corriente continua (tipo o una característica de corriente)
	Corriente alterna o continua (tipo o una característica de corriente)
	Construcción de clase II (designa las herramientas de construcción con aislamiento doble)
	Terminal de toma de tierra (terminal de conexión a tierra)
	Símbolo de advertencia (Alerta al usuario sobre mensajes de advertencia)

Símbolos (continuación)

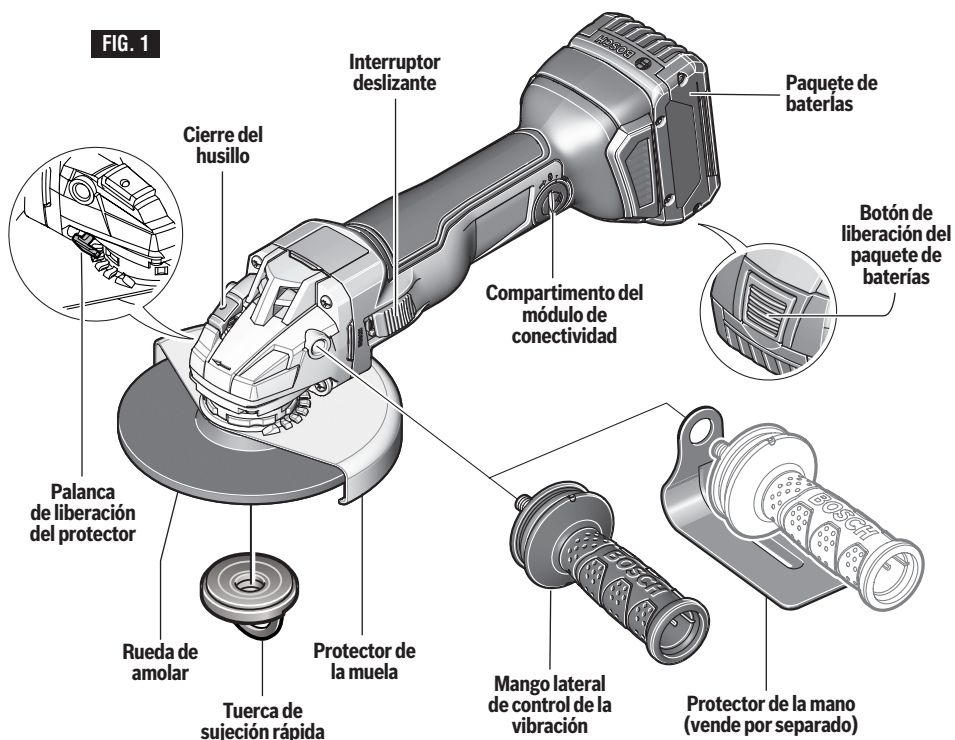
IMPORTANTE: Es posible que algunos de los símbolos siguientes se usen en su herramienta. Por favor, estúdielos y aprenda su significado. La interpretación adecuada de estos símbolos le permitirá utilizar la herramienta mejor y con más seguridad.

Símbolo	Désignación / Explicación
	Alerta al usuario para que lea el manual.
	Alerta al usuario para que use protección de los ojos.
	Alerta al usuario para que use protección respiratoria
	Alerta al usuario para que use protección de la audición
	Este símbolo indica que esta herramienta está catalogada por Underwriters Laboratories.
	Este símbolo indica que Underwriters Laboratories ha catalogado esta herramienta indicando que cumple con las normas estadounidenses y canadienses.
	Este símbolo indica que esta herramienta está catalogada por la Canadian Standards Association.
	Este símbolo indica que la Canadian Standards Association ha catalogado esta herramienta indicando que cumple con las normas estadounidenses y canadienses.
	Este símbolo indica que Intertek Testing Services ha catalogado esta herramienta indicando que cumple con las normas estadounidenses y canadienses.
	Este símbolo indica que esta herramienta cumple con la norma mexicana oficial (NOM).
	Designa el programa de reciclaje de baterías de Li-ion.

Descripción funcional y especificaciones

⚠ ADVERTENCIA Desconecte el paquete de batería de la herramienta antes de realizar cualquier ensamblaje, ajuste o cambio de accesorios. Dichas medidas preventivas de seguridad reducen el riesgo de arrancar la herramienta accidentalmente.

Amoladoras angulares con interruptor deslizante GWS18V-10C



Paquetes de batería/Cargadores de baterías

Sírvase consultar la lista de baterías/cargadores incluidas con su herramienta.

NOTA: Para obtener las especificaciones de la herramienta, consulte la placa del fabricante colocada en la herramienta.

La velocidad nominal del accesorio debe ser igual o mayor que la velocidad nominal de la herramienta. No exceda el diámetro de rueda recomendado.

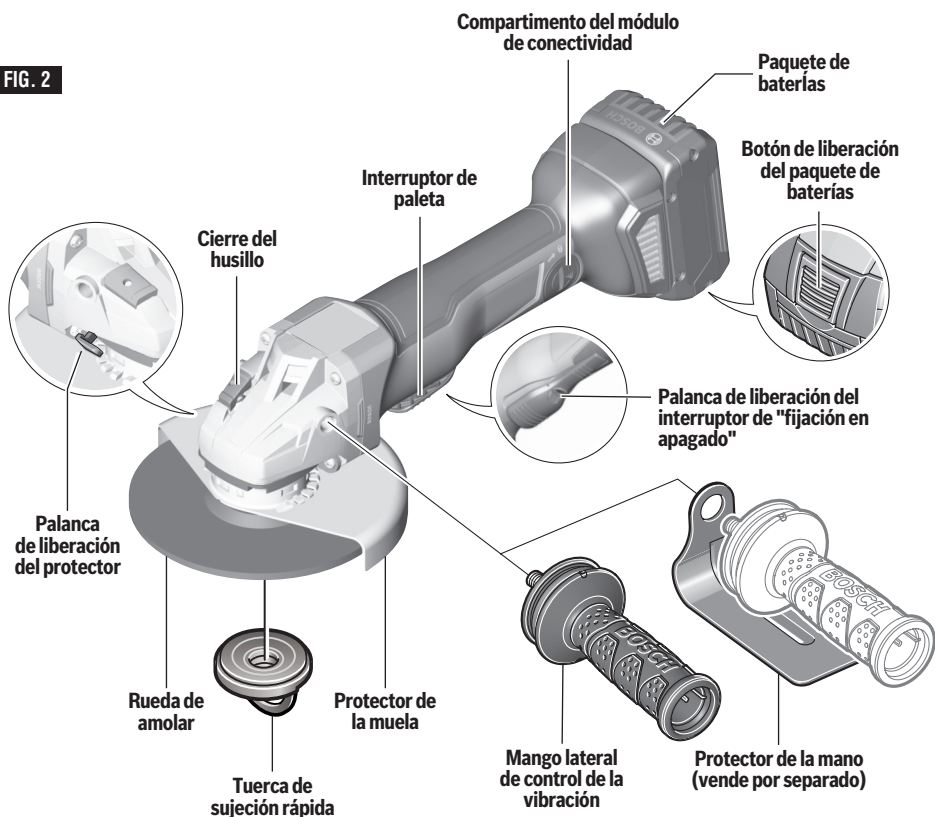
NOTA: No se recomienda para utilizarse con ruedas acopadas tipo 11.

Descripción funcional y especificaciones

⚠ ADVERTENCIA Desconecte el paquete de batería de la herramienta antes de realizar cualquier ensamblaje, ajuste o cambio de accesorios. Dichas medidas preventivas de seguridad reducen el riesgo de arrancar la herramienta accidentalmente.

Amoladoras angulares con interruptor de paleta GWS18V-45PC

FIG. 2



Paquetes de batería/Cargadores de baterías

Sírvase consultar la lista de baterías/cargadores incluidas con su herramienta.

NOTA: Para obtener las especificaciones de la herramienta, consulte la placa del fabricante colocada en la herramienta.

La velocidad nominal del accesorio debe ser igual o mayor que la velocidad nominal de la herramienta. No exceda el diámetro de rueda recomendado.

NOTA: No se recomienda para utilizarse con ruedas acopadas tipo 11.

Descripción funcional y especificaciones

⚠ ADVERTENCIA Desconecte el paquete de batería de la herramienta antes de realizar cualquier ensamblaje, ajuste o cambio de accesorios. Dichas medidas preventivas de seguridad reducen el riesgo de arrancar la herramienta accidentalmente.

Número de modelo	GWS18V-45C	GWS18V-45PC
Batería	18 V (Serie Bosch)	18 V (Serie Bosch)
Velocidad nominal	n 9,000/min	n 9,000/min
Interruptor	Deslizante	Paleta
Freno de parada rápida del disco	Incluido	Incluido
Módulo de conectividad para herramientas	Opcional	Opcional
Rosca del husillo	5/8"-11 UNC	5/8"-11 UNC
Longitud máxima del husillo	9/16" (14,3 mm)	9/16" (14,3 mm)
Ø máximo de la rueda de amolar Tipo 27	4 1/2" - 5" (115mm - 125mm)	4 1/2" - 5" (115mm - 125mm)
Grosor de la rueda de amolar Tipo 27	1/8" - 1/4" (3mm - 6mm)	1/8" - 1/4" (3mm - 6mm)
Ø máximo de la rueda de corte Tipo 41/1A, 27A	4 1/2" - 5" (115mm - 125mm)	4 1/2" (115 mm)
Ø máximo del disco de aletas	4 1/2" - 5" (115mm - 125mm)	4 1/2" (115 mm)
Ø máximo del disco de lijar	4 1/2" - 5" (115mm - 125mm)	4 1/2" (115 mm)
Ø máximo de la rueda de alambre	4" - 4 1/2" (102mm - 115mm)	4" - 4 1/2" (102mm - 115mm)
Ø máximo del cepillo acopado de alambre	3" (76 mm)	3" (76 mm)

Descripción funcional y especificaciones

⚠ ADVERTENCIA Desconecte el paquete de batería de la herramienta antes de realizar cualquier ensamblaje, ajuste o cambio de accesorios. Dichas medidas preventivas de seguridad reducen el riesgo de arrancar la herramienta accidentalmente.

Introducción y suelta del paquete de baterías

Esta herramienta está equipada con "Protección automática contra re arranques". Esta característica ayuda a prevenir los arranques accidentales después de que se haya interrumpido la alimentación eléctrica, p. ej., cuando la batería haya sido retirada con el interruptor bloqueado en la posición de encendido. Para reanudar el funcionamiento, ponga el interruptor deslizante en la posición de apagado y de vuelta en la posición de encendido para re arrancar la herramienta.

Asegúrese de que el interruptor deslizante esté en la posición de apagado antes de insertar o retirar el paquete de batería (Fig. 1). Para insertar el paquete de batería, deslícelo hacia el interior de la carcasa hasta que dicho paquete se bloquee en la posición correcta.

La herramienta está equipada con un pestillo de fijación secundario para impedir que dicho paquete se caiga y salga completamente del mango, en caso de que se afloje debido a la vibración.

Para quitar el paquete de baterías, oprima el botón de liberación del paquete de baterías y deslice dicho paquete hacia delante.

Oprima de nuevo el botón de liberación del paquete de baterías y deslice dicho paquete completamente hacia afuera hasta sacarlo de la carcasa de la herramienta (Fig. 3).

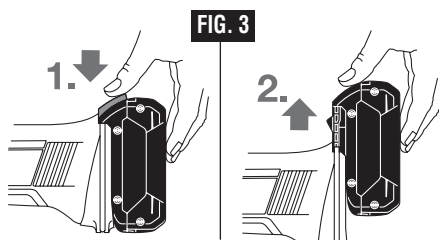


FIG. 3

Instalación del protector de la rueda

⚠ ADVERTENCIA Se debe instalar el protector de la rueda cuando se utilicen ruedas de amolar o cortar de disco. Mantenga siempre el protector de la rueda entre usted y la pieza de trabajo mientras esté amolando o cortando.

Para instalar el protector de la rueda: Desconecte el paquete de batería de la herramienta.

Presione y mantenga presionada la palanca de liberación (Fig. 4), y coloque el protector sobre la pestaña de montaje del protector hasta que las chavetas del protector se alineen con las muescas ubicadas en el collarín del husillo (Fig. 4A).

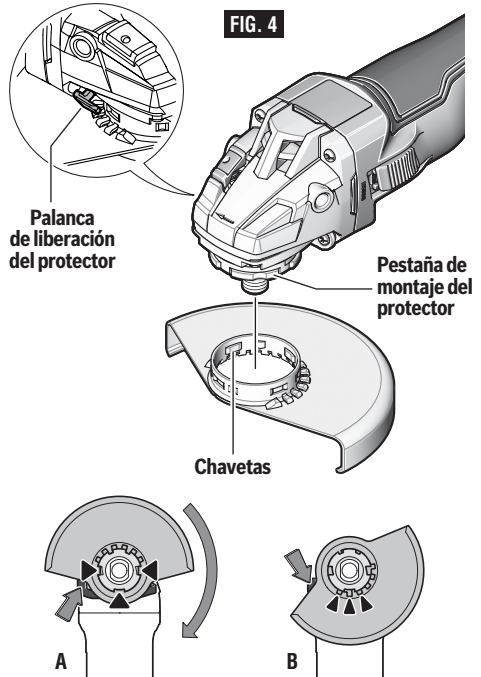
Presione el protector sobre la pestaña de montaje del protector hasta que el resalto del protector esté asentado contra la pestaña de la herramienta y gire el protector hasta que se pueda oír claramente que se acopla.

Ajuste la posición del protector conforme a los requisitos del proceso de trabajo. Para hacer esto, presione hacia arriba la palanca de liberación, gire el protector hasta que se acople con un clic en la posición correcta y luego ajústelo según sea necesario.

- Ajuste siempre el protector de manera que las 3 levas rojas de la palanca de liberación se acoplen en las muescas correspondientes del protector (Fig. 4B).
- Ajuste el protector de manera que se impida la generación de chispas en dirección hacia el operador.
- ¡El protector deberá girar solamente al accionar la palanca de liberación! De lo contrario puede que no sea posible seguir usando la herramienta en ninguna circunstancia y haya que llevarla a un agente de servicio posventa.

Nota: Las chavetas de codificación ubicadas en el protector aseguran que solamente se pueda montar un protector que sea compatible con el tipo de herramienta.

Para retirar el protector: Presione la palanca de liberación, rote el protector hasta que las chavetas ubicadas en el mismo se alineen con las muescas que se encuentran en la pestaña de montaje del protector y levante el protector hasta separarlo de la pestaña de montaje del protector (Fig. 4).



Ensamblaje

Mango lateral de control de la vibración

El mango lateral se utiliza para controlar y equilibrar la herramienta. El mango se debe enroscar en la carcasa delantera en cualquiera de los dos lados de la herramienta, dependiendo de la preferencia personal y la comodidad. Utilice el mango lateral para lograr un control seguro y facilitar la operación (Fig. 1).

Protector de la mano opcional (accesorio opcional)

El protector de la mano se debe utilizar con las zapatas de soporte, los discos de lijar y los cepillos de alambre para mantener los dedos y la mano alejados de la superficie de trabajo, los bordes afilados, las rebabas y los residuos. Cuando utilice el accesorio protector de la mano opcional, inserte el mango lateral a través del agujero ubicado en el protector y luego enrósquelo en la carcasa (Fig. 1).

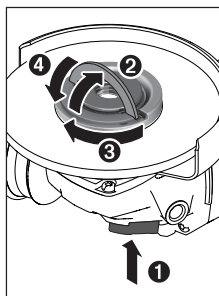
Asegúrese de que el protector de la mano esté posicionado entre la mano y la zapata de soporte, el disco de lijar o el cepillo de alambre.

Tuerca de sujeción rápida

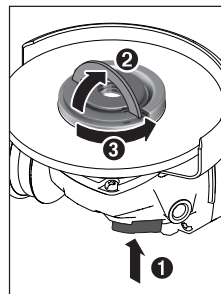
Utilice la tuerca de sujeción rápida para asegurar el disco de amolar/cortar sin necesidad de herramientas adicionales. Utilice únicamente la tuerca de sujeción rápida para discos de amolar/cortar de hasta un diámetro máximo de 4 1/2 pulgadas.

- La tuerca de sujeción rápida se puede usar solamente para discos de amolar o cortar.
- Utilice únicamente tuercas de sujeción rápida que estén en buenas condiciones de funcionamiento y no estén dañadas.
- Cuando enrosque, asegúrese de que el lado impreso de la tuerca de sujeción rápida no esté orientado hacia el disco de amolar.

Presione el botón de fijación del husillo para fijar el husillo de amolar. Para apretar la tuerca de sujeción rápida, doble hacia arriba la barra y gire la tuerca de sujeción rápida firmemente en el sentido de las agujas del reloj. Luego, doble hacia abajo la barra para asegurar la tuerca de sujeción rápida. No es suficiente apretar el disco a lo largo del borde.



Una tuerca de sujeción rápida asegurada adecuadamente y sin daños se puede quitar con la mano. Para hacer esto, doble hacia arriba la barra y gire la tuerca de sujeción rápida firmemente en sentido contrario al de las agujas del reloj, Fig. 8. Si la tuerca de sujeción rápida está atorada, no intente aflojarla con una herramienta. Utilice siempre una llave de tuerca ajustable de dos pasadores.



⚠ ADVERTENCIA Utilice únicamente accesorios con una velocidad nominal máxima de funcionamiento seguro que sea por lo menos igual a la velocidad máxima marcada en la herramienta eléctrica. Esta velocidad se basa en la resistencia de la rueda. No tiene como fin implicar una velocidad de funcionamiento óptima o más eficiente. No exceda la velocidad máxima de funcionamiento seguro.

Ensamblaje

Tuerca de fijación y pestaña de soporte

La herramienta está equipada con un husillo roscado para montar accesorios. Utilice siempre la tuerca de sujeción rápida suministrada o la tuerca de fijación BOSCH original (que puede comprar por separado), y la pestaña de soporte, que tiene el mismo tamaño de rosca que el husillo. La pestaña de soporte está enchavetada al eje de salida (Fig. 5). Si utiliza la tuerca de fijación original, asegúrese siempre de que dicha tuerca se apriete correctamente con la llave de tuerca suministrada.

Ensamblaje de la rueda de amolar de disco

Desconecte el paquete de baterías de la herramienta. Asegúrese de que el protector de la muela esté colocado en su sitio para amolar. Coloque la PESTAÑA DE SOPORTE y la RUEDA DE AMOLAR en el husillo. Enrosque la tuerca de fijación suministrada, a la vez que sujeta el cierre del husillo hacia adentro (Fig. 5).

PARA DESMONTAR: Invierta el procedimiento.

No se recomienda para utilizarse con amolar automontables.

Cuando utilice ruedas de instalación por giro:

Siga los pasos 1 y 2, y luego enrosque la rueda directamente en el husillo sin utilizar las pestañas suministradas.

PARA RETIRAR LA RUEDA: Invierta el procedimiento.

Todas las piezas de una rueda de instalación por giro deben estar dentro del reborde del protector para amolar (Fig. 6). Si la rueda de instalación por giro sobresale del reborde del protector, no utilice esa rueda, ya que no es compatible con esta amoladora.

⚠ ADVERTENCIA No utilice accesorios que funcionen excéntricamente. La herramienta vibrará excesivamente y podrá causar pérdida de control, y es posible que el accesorio reviente.

FIG. 5

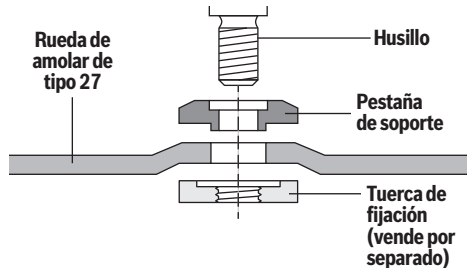
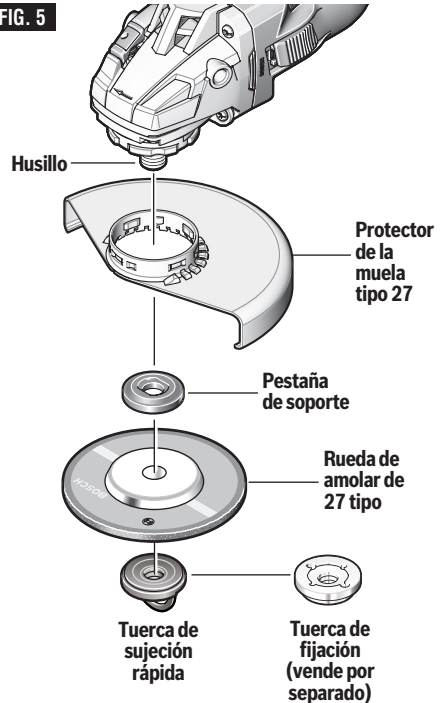
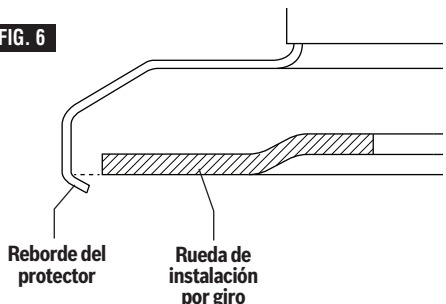
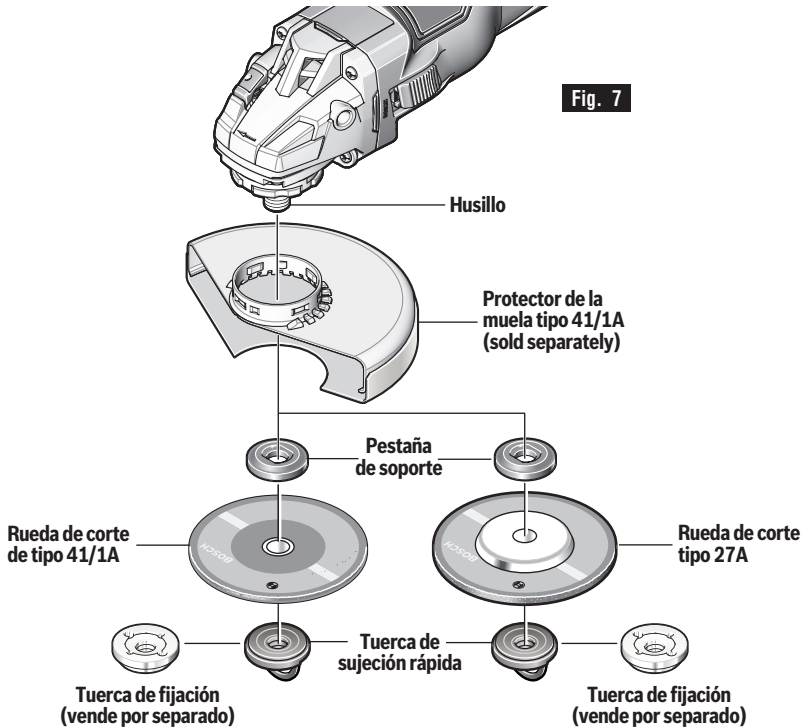


FIG. 6



Ensamblaje



Ensamblaje de la rueda abrasiva de Tipo 41/1A y 27A

Utilizando el protector de la muela Tipo 41/1A opcional, es posible realizar corte limitado en material pequeño, tal como tubos, tuberías o barras de refuerzo de metal.

No intente cortar material grande ni chapas de metal, ya que esta herramienta no está diseñada para ser una herramienta de corte dedicada.

⚠ ADVERTENCIA Utilice siempre el protector de Tipo 41/1A para cortar.

Desconecte el paquete de baterías de la herramienta. Asegúrese de que el protector de la muela esté colocado en su sitio para cortar.

Cuando utilice ruedas de montaje, enrosque la PESTAÑA DE SOPORTE en el husillo y luego coloque la RUEDA en

el husillo. Enrosque la tuerca de fijación y apriétela utilizando una llave de tuercas de fijación provista con el juego de adaptador, a la vez que sujeta hacia dentro el cierre del husillo (Fig. 7).

PARA DESMONTAR: Invierta el procedimiento.

Ruedas abrasivas de tipo 41/1A para amoladoras rectas

⚠ ADVERTENCIA No utilice ruedas abrasivas de Tipo 41/1A diseñadas amoladoras rectas / de troquel. Esta herramienta no está diseñada para utilizarse con ruedas abrasivas de Tipo 41/1A para amoladoras rectas / de troquel.

Ensamblaje

Ensamblaje de los accesorios de lijado

ZAPATA DE SOPORTE

⚠ ADVERTENCIA Antes de colocar una zapata de soporte, asegúrese de que su velocidad máxima de funcionamiento con seguridad no es superada por la velocidad indicada en la placa del fabricante de la herramienta.

⚠ ADVERTENCIA El protector de la muela no se puede utilizar para la mayoría de las operaciones de lijado. Reinstale siempre el protector de la muela cuando realice la conversión a operaciones de amolado.

⚠ ADVERTENCIA No utilice la tuerca de sujeción rápida con la almohadilla de refuerzo para accesorios de lijado.

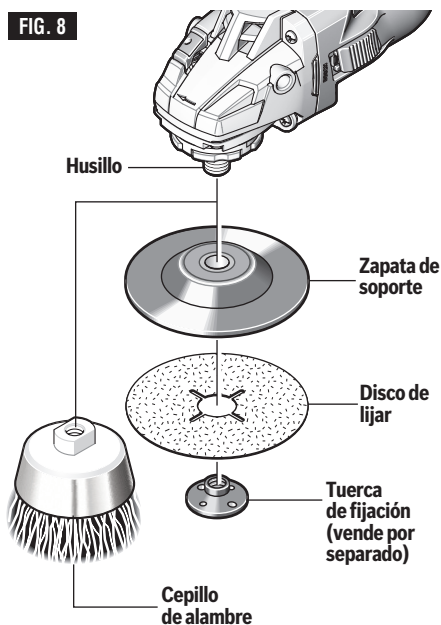
PARA INSTALAR LA ZAPATA DE SOPORTE Y EL DISCO DE LIJADO

Desconecte el paquete de baterías de la herramienta.

Instale el protector de la mano (Fig. 1). Apoye la herramienta sobre su lado superior (husillo hacia arriba). Coloque la zapata de soporte de caucho sobre el eje del husillo. Centre el disco de lijado sobre la zapata de soporte. Introduzca la tuerca de fijación a través del disco y enrósquela en el husillo hasta donde pueda con los dedos. Presione el cierre del husillo y luego apriete firmemente la zapata de soporte con la llave de tuercas de fijación (Fig. 8).

PARA DESMONTAR: Invierta el procedimiento.

FIG. 8

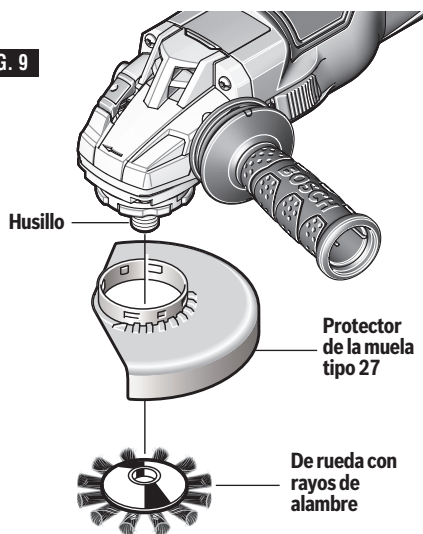


Ensamblaje del cepillo de alambre

Antes de ensamblar el cepillo de alambre en esta herramienta, desconéctela de la fuente de energía. Instale el protector de la mano (Fig. 1). Los cepillos de alambre están equipados con su propio cubo roscado; simplemente enrósque dicho cubo en el husillo. Asegúrese de que quede asentado contra el hombro antes de "ENCENDER" la herramienta.

PARA DESMONTAR: Invierta el procedimiento.

FIG. 9



Ensamblaje de la rueda con rayos de alambre

Antes de ensamblar la rueda con rayos de alambre en esta herramienta, desconéctela de la fuente de energía. Instale el protector de tipo 27 (Fig. 3). Las ruedas con rayos de alambre están equipadas con su propio cubo roscado; simplemente enrósque dicho cubo en el husillo. Asegúrese de que quede asentado contra el hombro antes de "ENCENDER" la herramienta.

PARA DESMONTAR: Invierta el procedimiento.

Ensamblaje del aditamento de extracción de polvo de concreto para amolar y acabar superficies

⚠ ADVERTENCIA No se puede utilizar un protector de la rueda de amolar de tipo 27 para todas las operaciones de la herramienta. No deseché el protector cuando no lo esté usando. Reinstale siempre el protector de la rueda cuando realice la conversión de vuelta para operaciones de amolado.

⚠ ADVERTENCIA El aditamento de extracción de polvo no es un protector. No lo utilice con ruedas abrasivas adheridas. Es posible que el aditamento de extracción de polvo no proteja al operador en el caso de que la rueda reviente.

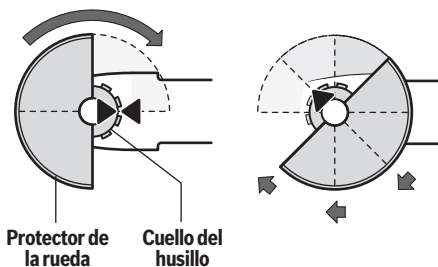
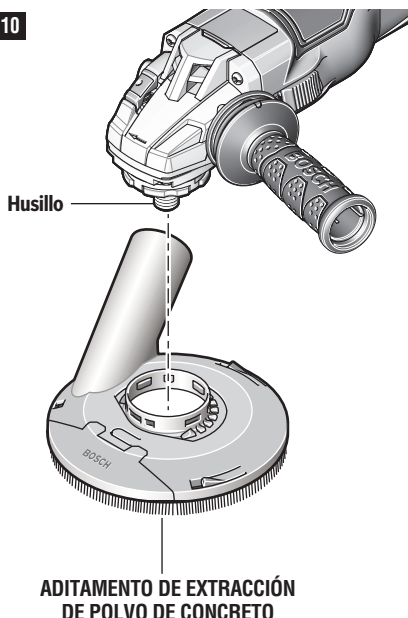
PARA INSTALAR EL ADITAMENTO DE EXTRACCION DE POLVO DE CONCRETO (FIG. 10)

1. Desenchufe la herramienta de la fuente de alimentación.
2. Posicione el aditamento apropiado en el cuello del husillo con el puerto para polvo orientado de manera que se aleje del cuerpo de la herramienta.
3. Rote el aditamento en el sentido de las agujas del reloj 90° hasta que el protector se acople con un clic en su sitio.
4. Ajuste el aditamento presionando el botón de liberación del protector y rótelo hasta la posición deseada.
5. Deje que el botón de liberación del protector se acople con un clic en su sitio.
6. Coloque la pestaña de refuerzo en el husillo.
7. Coloque la rueda acopada de diamante en el husillo y alinéela con la pestaña.
8. Enrosque la tuerca de fijación en el husillo con el relieve de la tuerca de fijación orientado hacia el accesorio.
9. Apriete la tuerca de fijación con la llave para la tuerca de fijación suministrada mientras sujeta el cierre del husillo.

Cuando utilice ruedas de instalación por giro, siga los pasos 1 - 5 y luego enrosque la rueda directamente en el husillo sin utilizar las pestañas suministradas.

PARA RETIRAR EL ADITAMENTO: Invierta el procedimiento.

FIG. 10



Ensamblaje

Ensamblaje del protector para cortar mampostería

⚠ ADVERTENCIA No se puede utilizar un protector de la rueda de tipo 27 para todas las operaciones de la herramienta. No deseche el protector cuando no lo esté usando. Reinstale siempre el protector de la rueda cuando realice la conversión de vuelta para operaciones de amolado.

Para mejorar la ergonomía de su amoladora cuando corte mampostería, la caja de engranajes se debe rotar respecto a la posición del interruptor con que la herramienta se ensambló en la fábrica.

ROTE LA CAJA DE ENGRANAJES (FIG. 11)

1. Desenchufe la herramienta de la fuente de alimentación.
2. Desenrosque completamente los cuatro tornillos ubicados entre la caja de engranajes y el cuerpo del motor.
3. Rote la caja de engranajes hasta la orientación apropiada sin retirar el motor de la carcasa.

En el caso de los modelos con interruptor deslizable, rote la caja de engranajes 180 grados en el sentido indicado en la Fig. 12, para que el interruptor esté a 90 grados respecto al husillo.

4. Enrosque y apriete los cuatro tornillos que retiró antes.
5. El tornillo que sujeta la palanca de liberación rápida es más largo que los otros tornillos; este tornillo largo debe permanecer con la palanca de liberación rápida cuando se reinstale la caja de engranajes, para que el botón de liberación rápida funcione apropiadamente.
6. Instale el protector de recolección de polvo apropiado con el pie y el accesorio.

INSTALACION DEL PROTECTOR DE TIPO 1 PARA CORTAR MAMPOSTERIA

1. Utilice la herramienta ajustada de la manera que se muestra en las figuras 11 y 12.
2. Desenchufe la herramienta de la fuente de alimentación.
3. Desenrosque y retire el mango lateral.
4. Deslice el protector de extracción de polvo sobre el cuello del husillo.
5. Rote el aditamento hasta que el soporte de estabilidad y el agujero para el mango lateral estén alineados.

FIG. 11

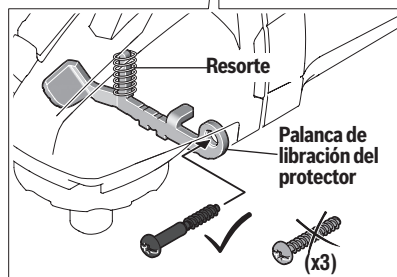
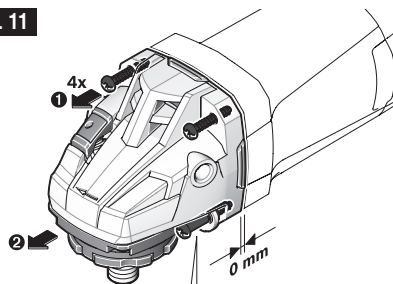
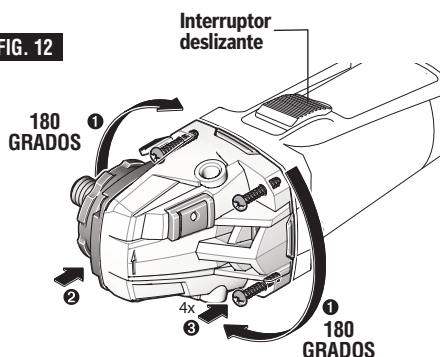


FIG. 12



Ensamblaje

6. Enrosque el mango lateral para asegurar el soporte de estabilidad entre la carcasa de la herramienta y el mango.

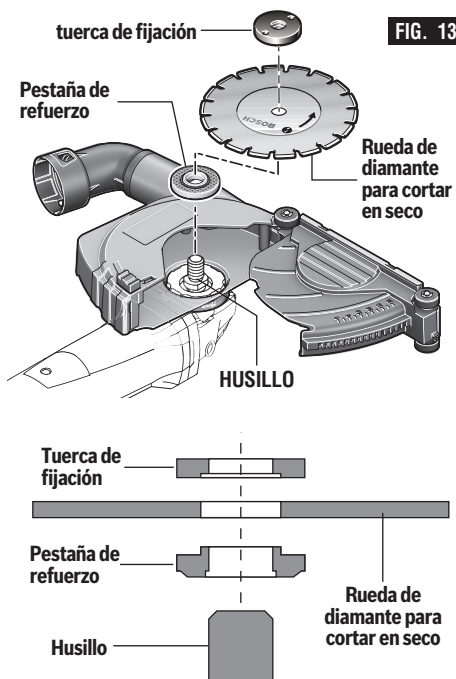
7. Ajuste el protector a la profundidad de corte deseada.

PARA RETIRAR EL PROTECTOR: Invierta el procedimiento.

INSTALACION DE LA RUEDA DE DIAMANTE PARA CORTAR EN SECO (FIG. 13)

1. Coloque la pestaña de refuerzo en el husillo. Gire la pestaña hasta que se bloquee con la base del husillo.
2. Coloque la rueda de diamante para cortar en seco en el husillo y alinee el agujero para eje portaherramienta de la rueda de amolar con el resalto de la pestaña de refuerzo.
3. Apriete la tuerca de fijación con la llave para la tuerca de fijación suministrada mientras sujeta el cierre del husillo.

PARA RETIRAR LA RUEDA: Invierta el procedimiento.



Instalación del módulo de conectividad (vendido por separado)

⚠ ADVERTENCIA Para reducir el riesgo de lesiones, lea las instrucciones de utilización incluidas con el módulo de conectividad Bosch. Las instrucciones de utilización del módulo de conectividad incluyen información importante que no se cubre en este manual.

Si el módulo de conectividad no se compra con la herramienta, o si se hace necesario reemplazar el módulo o la batería, por favor, siga este procedimiento (vea la Fig. 14):

- Utilizando un destornillador plano o una moneda, retire la cubierta **A** del lado del mango, girándola 1/4 de vuelta en sentido contrario al de las agujas del reloj (Fig. 14 o 15).
- Si la herramienta ya está equipada con el módulo de conectividad, retire la batería **B**, pero no retire el módulo de conectividad **C**.
- Si el módulo de conectividad se instala por primera vez, retire el marcador de posición de plástico **D** del compartimiento del módulo de conectividad y coloque el módulo de conectividad **C** en el compartimiento, prestando atención a la orientación correcta (Fig. 15). **Nota:** Guarde el marcador de posición **D** en un lugar seguro. Reinserte de nuevo el marcador de posición si se retira el módulo de comunicaciones.
- Seguidamente, coloque la batería nueva **B** en la parte de arriba del módulo de conectividad con la polaridad "+" orientada hacia arriba (Fig. 14).
- Coloque la cubierta **A** sobre la batería y gírela 1/4 de vuelta en el sentido de las agujas del reloj utilizando un destornillador plano o una moneda.

Fig. 14

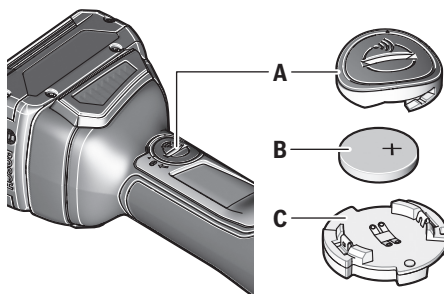
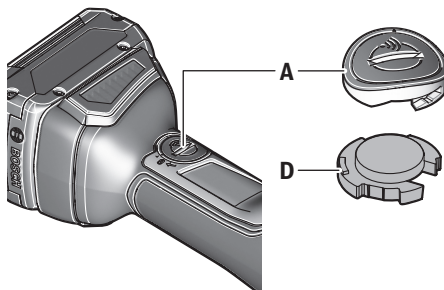


Fig. 15



Instrucciones de funcionamiento

⚠ ADVERTENCIA Agarre la herramienta con las dos manos cuando arranque la herramienta, ya que el par de fuerzas del motor puede hacer que la herramienta se tuerza.

Arranque la herramienta antes de aplicarla a la pieza de trabajo. Levante la herramienta de la pieza de trabajo antes de soltar el interruptor. No encienda y apague la herramienta con el interruptor mientras la herramienta está sometida a carga; esto acortará enormemente la vida del interruptor.

Interruptor deslizable (Fig. 16)

PARA ENCENDER LA HERRAMIENTA, presione la parte trasera del interruptor y deslícela hacia delante, hacia la caja de engranajes, y hasta la posición de ENCENDIDO.

PARA BLOQUEAR EL INTERRUPTOR EN LA POSICIÓN DE "ENCENDIDO", cuando el interruptor se haya deslizado hasta la posición de "ENCENDIDO", ruede el interruptor hacia delante.

PARA APAGAR LA HERRAMIENTA, presione la parte trasera del interruptor. El interruptor está accionado por resorte y regresará automáticamente a la posición de "APAGADO".

Interruptor de paleta (Fig. 17)

El interruptor de paleta tiene una función de fijación en apagado para ayudar a prevenir los arranques accidentales.

PARA ENCENDER LA HERRAMIENTA, presione hacia delante el interruptor de fijación en apagado para desbloquear el interruptor de paleta y luego comprima el interruptor de paleta.

PARA APAGAR LA HERRAMIENTA, reduzca la presión sobre el interruptor de paleta. El interruptor está accionado por resorte y regresará automáticamente a la posición de "APAGADO".

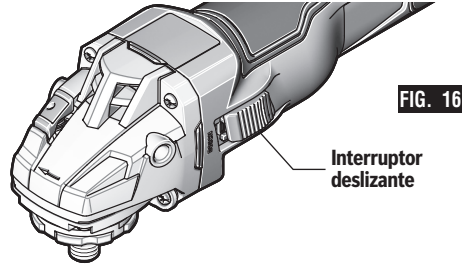


FIG. 16

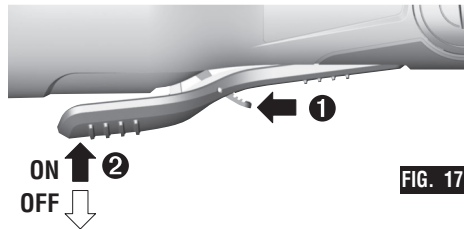


FIG. 17

Instrucciones de funcionamiento

Operación de amolado

SELECCION DE RUEDAS DE AMOLAR

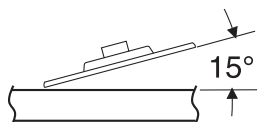
⚠ ADVERTENCIA Antes de utilizar una rueda de amolar, asegúrese de que su velocidad máxima de funcionamiento con seguridad no es superada por la velocidad indicada en la placa del fabricante de la amoladora. No exceda el diámetro de muela recomendado.

RUEDAS DE AMOLAR DE DISCO

Las ruedas de amolar se deben seleccionar cuidadosamente para utilizar la amoladora con una eficiencia máxima. Las muelas varían en cuanto a tipo de abrasivo, adhesivo, dureza, tamaño del grano y estructura. El tipo correcto de rueda de amolar que se debe utilizar es determinado por el trabajo. Utilice ruedas de amolar de disco para realizar amolado rápido de acero estructural, cordones de soldadura pesada y piezas fundidas de acero, así como acero inoxidable y otros metales ferrosos.

CONSEJOS PARA AMOLAR

El amolado eficiente se logra controlando la presión y manteniendo un ángulo de 10° a 15° entre la muela y la pieza de trabajo. Si la muela está en posición horizontal, es difícil controlar la herramienta. Si el ángulo es demasiado pronunciado, la presión se concentra en un área pequeña, haciendo que la superficie de trabajo se queme.



⚠ ADVERTENCIA Una presión excesiva o repentina sobre la muela retrasará la acción de amolado y someterá a la muela a un esfuerzo peligroso.

Al amolar con una muela nueva, asegúrese de amolar mientras que tira de la herramienta hacia atrás hasta que el borde de la muela quede redondeado. Las muelas nuevas tienen esquinas afiladas que tienden a "morder" o cortar la pieza de trabajo al empujar hacia adelante.

Operación de corte

CORTE DE METAL

⚠ ADVERTENCIA Es posible que no se incluya un protector de la rueda de tipo 1 con esta herramienta, pero dicho protector se requiere cuando se utilice una rueda de corte. Puede que cortar con un protector de la rueda de tipo 27 no ofrezca al operador suficiente protección en el caso de que la rueda reviente.

Con esta amoladora es posible realizar corte de material pequeño limitado, como por ejemplo tubos, tuberías o barras de refuerzo de metal. Cuando corte, trabaje con una velocidad de avance moderada, adaptada al material que se esté cortando. Cuando corte perfiles y barra cuadrada, lo mejor es comenzar en la sección transversal más pequeña.

Siga siempre las precauciones para evitar el retroceso.

1. Deje que la herramienta alcance la máxima velocidad antes de tocar la superficie de trabajo con ella.
2. La herramienta se deberá usar siempre de manera que las chispas se dirijan alejándose del usuario.
3. Aplique una presión mínima a la superficie de trabajo, dejando que la herramienta funcione a alta velocidad. La tasa de corte es máxima cuando la herramienta funciona a alta velocidad.
4. No ejerza presión lateral sobre el disco de corte. No incline ni oscile la herramienta, ya que puede que la rueda reviente (Fig. 18).
5. Retire la herramienta de la superficie de trabajo antes de apagarla. Deje que la herramienta pare de rotar antes de dejarla en algún sitio.

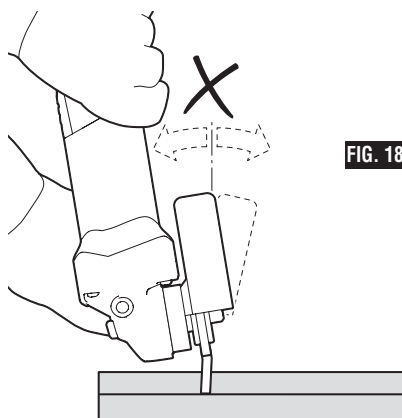


FIG. 18

Instrucciones de funcionamiento

CORTE DE MAMPOSTERÍA / CONCRETO

Con esta amoladora es posible realizar corte de materiales de concreto y de mampostería. Cuando corte, trabaje con una velocidad de avance moderada, adaptada al material que se esté cortando.

Siga siempre las precauciones para evitar el retroceso.

Utilice la herramienta con un sistema de extracción de polvo y protección personal contra el polvo, como por ejemplo, un respirador, una máscara antipolvo, etc. La aspiradora utilizada para esta aplicación debe estar aprobada para la extracción de polvo de mampostería y de concreto. Bosch vende aspiradoras adecuadas.

⚠ ADVERTENCIA No jale nunca la herramienta hacia atrás, ya que la rueda se saldrá del material y ocurrirá RETROCESO.

1. Deje que la herramienta alcance la máxima velocidad antes de tocar la superficie de trabajo con ella.
2. Si realiza cortes de inmersión:
 - a. Incline la herramienta hacia delante con la rueda alineada con la línea de corte y sujete la herramienta por el cuerpo de la amoladora y el mango auxiliar (Fig. 19).
 - b. Baje gradualmente la parte trasera de la herramienta, utilizando el extremo delantero del pie como punto de bisagra.
 - c. Cuando el pie descanse en posición plana sobre la superficie que se esté cortando, proceda a cortar en dirección hacia delante hasta el final del corte.
3. Mantenga siempre el contacto entre el pie del protector y la pieza de trabajo.
4. Deslice la herramienta hacia delante a una velocidad moderada, adaptada al material que se esté cortando. Corte siempre hacia el puerto de extracción de polvo para maximizar la extracción de polvo y reducir las probabilidades de retroceso (Fig. 20).
5. Aplique una presión mínima a la superficie de trabajo, dejando que la herramienta funcione a alta velocidad. La tasa de corte es máxima cuando la herramienta funciona a alta velocidad.
6. Cuando se haya completado el corte, retire la herramienta de la pieza de trabajo antes de apagarla. Deje que la rueda pare de rotar antes de dejar la herramienta en algún sitio.

Consejo: Cuando realice cortes profundos, lo mejor es cortar en varias pasadas poco profundas. Cada pasada debería ser sólo hasta la profundidad del segmento de la rueda. El polvo de mampostería es abrasivo y es posible que desgaste y debilite la adhesión del segmento.

Cuando corte material especialmente duro, como por ejemplo concreto con un alto contenido de grava, la rueda de diamante para cortar en seco se puede

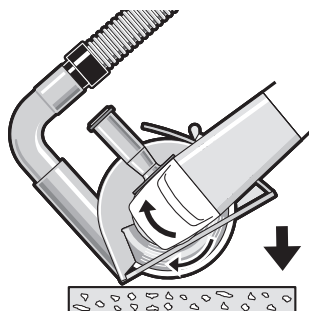


FIG. 19

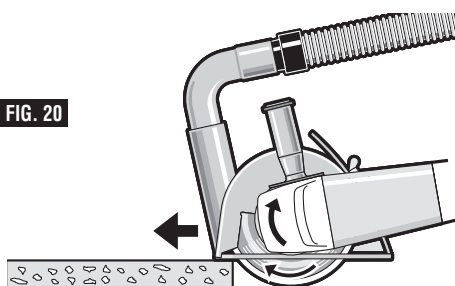


FIG. 20

recalentar y resultar dañada. Esto es indicado claramente por la generación circular de chispas por la rueda de diamante para cortar en seco durante su rotación. En este caso, interrumpa el proceso de corte y deje que la rueda de diamante para cortar en seco se enfríe, haciendo funcionar la herramienta durante un corto periodo de tiempo a la máxima velocidad sin carga.

Una disminución notable del progreso del trabajo y la generación circular de chispas son indicaciones de que la rueda de diamante para cortar en seco se ha desafilado. Cortar brevemente en materiales abrasivos (por ejemplo, ladrillo) puede reafilarse la rueda.

ACABADO DE SUPERFICIES DE CONCRETO

Utilice la herramienta con un sistema de extracción de polvo y protección personal contra el polvo, como por ejemplo un respirador, una máscara antipolvo, etc. La aspiradora utilizada para esta aplicación debe estar aprobada para la extracción de polvo de mampostería y de concreto. Bosch vende aspiradoras adecuadas.

Las ruedas acopadas de diamante se deben seleccionar cuidadosamente para utilizar la amoladora de la manera más eficiente posible. Las ruedas varían en el tipo de material que están diseñadas para retirar y qué tan agresivamente retirarán dicho material. La rueda correcta que se debe usar es determinada por el trabajo.

1. Deje que la herramienta alcance la máxima velocidad antes de tocar la superficie de trabajo con ella.

Instrucciones de funcionamiento

- Sujete la herramienta con las dos manos y mantenga la rueda de diamante en posición plana sobre la superficie de trabajo.
- Aplique una presión mínima, dejando que la herramienta funcione a alta velocidad. La tasa de remoción es máxima cuando la herramienta funciona a alta velocidad.
- Mueva continuamente la herramienta a una velocidad moderada para evitar crear surcos en la superficie de trabajo.
- Retire la herramienta de la superficie de trabajo antes de apagarla. Deje que la herramienta pare de rotar antes de dejarla en algún sitio.

Consejo: Para lograr una recolección de polvo óptima, todos los lados del protector de recolección de polvo para acabado de superficies deben permanecer en contacto con la superficie y el protector para acabado de superficies debe estar conectado a una aspiradora. Una rueda de diamante desafilada se puede afilar frotando con ella brevemente la superficie de un material abrasivo (por ejemplo, una piedra arenisca).

Operaciones de lijado

SELECCION DEL DISCO DE LIJAR

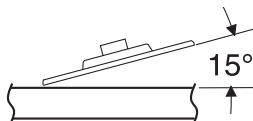
Los discos de lijado están hechos de granos de óxido de aluminio extremadamente duros y afilados, adheridos con resinas fenólicas a un fuerte soporte de fibra para servicios pesados rápidos y larga duración. El disco varía en cuanto a tamaño y separación de los granos abrasivos. CAPA ABIERTA (tipo H) - utilizado para materiales blandos y sobre pintura o barniz. CAPA CERRADA (tipo K) - utilizado para metal, madera dura, piedra, mármol y otros materiales.

Los discos de lijado varían en grano desde 16 (muy grueso) hasta 180 (muy fino). Para obtener mejores resultados, seleccione los discos de lijado cuidadosamente. Muchos trabajos requieren la utilización de varios tamaños de grano y a veces se requieren tanto discos de "capa abierta" como de "capa cerrada" para realizar el trabajo más deprisa. Consulte el cuadro para ver ejemplos de aplicaciones.

OPERACION: Reacabado de superficies de madera o de metal pintadas.	
OBSERVACIONES	GRANO
Para quitar pintura y alisar irregularidades de la superficie.	Grueso 16-24-30
Para alisar el lijado basto.	Mediano 36-50-80
Para quitar arañazos dejados por discos anteriores	Fino 100-120
Para alisar superficies para pintar, pulir o encerar.	Muy fino 150-180

CONSEJOS PARA LIJAR

Para mejores resultados, incline la lijadora de disco hasta un ángulo de 10° a 15° mientras lija para que aproximadamente sólo 1 pulgada de la superficie alrededor del borde del disco esté en contacto con la superficie de trabajo.



⚠ ADVERTENCIA Si el disco (accesorio) se mantiene en posición horizontal o si el borde de atrás del disco entra en contacto con la pieza de trabajo, se puede producir un violento impulso hacia un lado.

Si la lijadora se inclina demasiado, la acción de lijado será demasiado grande y se producirá una superficie cortada bastante o acanalado y atasco.

Guíe la lijadora de disco con pasadas transversales. Tenga cuidado de no mantener la lijadora en el mismo sitio demasiado tiempo. No utilice un movimiento circular, ya que esto causa marcas de remolino. Antes de la utilización, haga una prueba sobre material de desecho.

No fuerce ni aplique presión al lijado. Utilice únicamente el peso de la herramienta como presión. Un exceso de presión en realidad entorpece el funcionamiento de la herramienta. Si se desea una remoción de material más rápida, cambie a un disco de grano más grueso.

Quite la pintura gomosa del metal con un disco de "capa abierta". Lije hasta que empiecen a saltar chispas y entonces pare y cambie a un disco de "capa cerrada" para quitar la pintura que quede.

Instrucciones de funcionamiento

LIJADO DE MADERA

Al lijar madera, el sentido del movimiento del disco en el punto de contacto debe ser tan paralelo a la veta como sea posible. El corte rápido de los discos y la configuración de arañosos tipo remolino que crean de vez en cuando prohíben generalmente su utilización para producir el acabado final.

Los arañosos y las marcas circulares suelen producirse como resultado de la utilización de un grano demasiado grueso. Cuando cambie a un grano más fino, lije cruzando las líneas de lijado que fueron hechas por un disco más grueso utilizado anteriormente.

LIJADO DE METAL

Al lijar automóviles o electrodomésticos, limpie el metal con un disolvente ininflamable o con un limpiador comercial para quitar toda la cera y la grasa. Al hacer esto primero, los discos de lijar lijarán mejor y durarán más.

Para trabajo pesado, utilice primero un disco de grano grueso. Siga con un grano mediano para quitar los arañosos. Para producir un acabado liso, utilice un disco de grano fino.

Operaciones con cepillos de alambre

Los cepillos de alambre están diseñados para "limpiar" acero estructural, piezas fundidas, chapa metálica, piedra y concreto. Se utilizan para quitar herrumbre, costra y pintura.

⚠ ADVERTENCIA Evite que el cepillo de alambre rebote y se atasque, especialmente al trabajar en esquinas, bordes afilados, etc. Eso puede causar pérdida de control y retroceso.

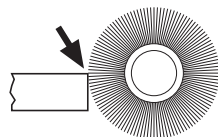
PRESIÓN DE CEPILLADO

1. Recuerde que las puntas de un cepillo de alambre hacen el trabajo. Utilice el cepillo con la presión más ligera para que solamente las puntas del alambre entren en contacto con la pieza de trabajo.
2. Si se utilizan presiones más grandes, se someterá a los alambres a una tensión excesiva, lo cual dará como resultado una acción de barrido, y si se continúa haciendo esto, podrá acortarse la duración del cepillo debido a la fatiga del alambre.
3. Aplique el cepillo a la pieza de trabajo de manera que tanta cara del cepillo como sea posible esté en contacto completo con la pieza de trabajo. La aplicación del lado o del borde del cepillo a la pieza de trabajo causará la rotura del alambre y acortará la duración del cepillo.

CEPILLO DE RUEDA DE ALAMBRE

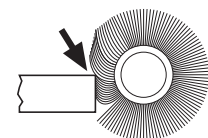
CORRECTO:

Las puntas de alambre hacen el trabajo.



INCORRECTO:

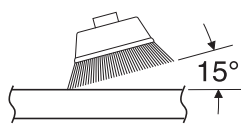
Una presión excesiva puede causar la rotura del alambre.



CEPILLO ACOPADO DE ALAMBRE

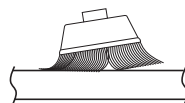
CORRECTO:

Las puntas de alambre hacen el trabajo.



INCORRECTO:

Una presión excesiva puede causar la rotura del alambre.



Instrucciones de funcionamiento

Utilización de la aplicación "Bosch toolbox"

Inicie la aplicación "Bosch Toolbox" en su dispositivo móvil y haga clic en el icono / mosaico "Mis herramientas". Siga las instrucciones de la aplicación para vincular la herramienta con el dispositivo móvil.

Después de aparear su herramienta con un dispositivo móvil, puede ajustar ciertas funciones o comprobar el estado de la herramienta eléctrica utilizando la aplicación Bosch Toolbox.

- A. Botón de ayuda:** Al presionar suavemente este botón aparecerá la pantalla de ayuda.
- B. Foto de la herramienta:** Al presionar suavemente sobre la foto, usted podrá personalizar la fotografía de la herramienta.
- C. Estado de carga de la batería de la herramienta eléctrica:** El número de "baterías" verdes indica el nivel de carga estimado del paquete de batería.
- D. Apodo de la herramienta eléctrica:** Al presionar suavemente sobre el icono de "lápiz", usted podrá personalizar el apodo de la herramienta. También podrá hacerlo cuando cambie la foto de la herramienta.
- E. Barra de estado de la conexión:** Aquí usted puede ver la fuerza de la (señal de) conexión indicada por barras verticales. Puede usar el interruptor basculante para desconectar la herramienta de su dispositivo móvil.
- F. Interruptor basculante de reajuste a la configuración de fábrica:** Usted puede reajustar la configuración de la herramienta a los ajustes preestablecidos en la fábrica.
- G. Alertas de la herramienta:** Al pulsar suavemente el "triángulo de alertas" se mostrará cualquier alerta recibida de la herramienta.
- H. Botón de información:** Muestra la información y las especificaciones de la herramienta.

Nota: Verifique la aplicación 'Bosch Toolbox' en su dispositivo móvil para obtener la última versión de la aplicación y las actualizaciones.



Mantenimiento

⚠ ADVERTENCIA Para evitar accidentes, desconecte siempre la herramienta y/o el cargador de la fuente de energía antes de la limpieza.

Servicio

⚠ ADVERTENCIA **NO HAY PIEZAS EN EL INTERIOR QUE PUEDAN SER AJUSTADAS O REPARADAS POR EL USUARIO.** El mantenimiento preventivo realizado por personal no autorizado puede dar lugar a la colocación incorrecta de cables y componentes internos que podría constituir un peligro serio. Recomendamos que todo el servicio de las herramientas sea realizado en un Centro de servicio de fábrica Bosch o en una Estación de servicio Bosch autorizada. **TECNICOS DE REPARACIONES:** Desconecten la herramienta y/o el cargador de la fuente de energía antes de realizar servicio de ajustes y reparaciones.

Baterías

Esté alerta a los paquetes de baterías que estén aproximándose al final de su vida útil. Si observa una disminución del rendimiento de la herramienta o un tiempo de funcionamiento significativamente más corto entre cargas, entonces ha llegado el momento de cambiar el paquete de baterías. Si no se hace esto, el resultado puede ser que la herramienta funcione incorrectamente o que el cargador se dañe.

Lubricacion de las herramientas

Su herramienta Bosch ha sido lubricada adecuadamente y está lista para la utilización.

Motores “corriente directa”

El motor de la herramienta ha sido diseñado para muchas horas de servicio fiable. Para mantener un rendimiento óptimo del motor, recomendamos que éste sea examinado cada seis meses. Sólo se debe usar un motor de repuesto Bosch genuino diseñado especialmente para la herramienta.

Limpieza

⚠ PRECAUCION Ciertos agentes de limpieza y disolventes dañan las piezas de plástico. Algunos de estos son: gasolina, tetracloruro de carbono, disolventes de limpieza clorados, amoníaco y detergentes domésticos que contienen amoníaco.

Las aberturas de ventilación y las palancas de interruptor deben mantenerse limpias y libres de materias extrañas. No intente limpiar introduciendo objetos puntiagudos a través de las aberturas.

Accesorios y aditamentos

⚠ ADVERTENCIA Es posible que el uso de cualquier otro aditamento o accesorio no especificado en este manual cree un peligro.

Almacene los accesorios en un ambiente seco y templado para evitar la corrosión y el deterioro.

Equipo estándar	Accesorios opcionales
<ul style="list-style-type: none">- Protector de la muela Tipo 27- Tuerca de sujeción rápida- Pestaña de soporte- Mango lateral- Llave de tuercas de fijación	<ul style="list-style-type: none">- Tuerca de fijación- Protector de la muela Tipo 41/1A- Protector de la mano

NOTA: No se recomienda para utilizarse con ruedas acopadas tipo 11.

This page was intentionally left blank
Cette page a été laissée vierge intentionnellement.
Esta página se dejó intencionalmente en blanco

This page was intentionally left blank
Cette page a été laissée vierge intentionnellement.
Esta página se dejó intencionalmente en blanco

LIMITED WARRANTY OF BOSCH PORTABLE AND BENCHTOP POWER TOOLS

Robert Bosch Tool Corporation ("Seller") warrants to the original purchaser only, that all BOSCH portable and benchtop power tools will be free from defects in material or workmanship for a period of one year from date of purchase. SELLER'S SOLE OBLIGATION AND YOUR EXCLUSIVE REMEDY under this Limited Warranty and, to the extent permitted by law, any warranty or condition implied by law, shall be the repair or replacement of parts, without charge, which are defective in material or workmanship and which have not been misused, carelessly handled, or misrepaired by persons other than Seller or Authorized Service Station. To make a claim under this Limited Warranty, you must return the complete portable or benchtop power tool product, transportation prepaid, to any BOSCH Factory Service Center or Authorized Service Station. For Authorized BOSCH Power Tool Service Stations, please refer to your phone directory.

THIS LIMITED WARRANTY DOES NOT APPLY TO ACCESSORY ITEMS SUCH AS CIRCULAR SAW BLADES, DRILL BITS, ROUTER BITS, JIGSAW BLADES, SANDING BELTS, GRINDING WHEELS AND OTHER RELATED ITEMS.

ANY IMPLIED WARRANTIES SHALL BE LIMITED IN DURATION TO ONE YEAR FROM DATE OF PURCHASE. SOME STATES IN THE U.S., SOME CANADIAN PROVINCES DO NOT ALLOW LIMITATIONS ON HOW LONG AN IMPLIED WARRANTY LASTS, SO THE ABOVE LIMITATION MAY NOT APPLY TO YOU.

IN NO EVENT SHALL SELLER BE LIABLE FOR ANY INCIDENTAL OR CONSEQUENTIAL DAMAGES (INCLUDING BUT NOT LIMITED TO LIABILITY FOR LOSS OF PROFITS) ARISING FROM THE SALE OR USE OF THIS PRODUCT. SOME STATES IN THE U.S. AND SOME CANADIAN PROVINCES DO NOT ALLOW THE EXCLUSION OR LIMITATION OF INCIDENTAL OR CONSEQUENTIAL DAMAGES, SO THE ABOVE LIMITATION OR EXCLUSION MAY NOT APPLY TO YOU.

THIS LIMITED WARRANTY GIVES YOU SPECIFIC LEGAL RIGHTS, AND YOU MAY ALSO HAVE OTHER RIGHTS WHICH VARY FROM STATE TO STATE IN THE U.S., PROVINCE TO PROVINCE IN CANADA AND FROM COUNTRY TO COUNTRY.

THIS LIMITED WARRANTY APPLIES ONLY TO PORTABLE AND BENCHTOP ELECTRIC TOOLS SOLD WITHIN THE UNITED STATES OF AMERICA, CANADA AND THE COMMONWEALTH OF PUERTO RICO. FOR WARRANTY COVERAGE WITHIN OTHER COUNTRIES, CONTACT YOUR LOCAL BOSCH DEALER OR IMPORTER.

GARANTIE LIMITÉE DES OUTILS ÉLECTRIQUES PORTATIFS ET D'ÉTABLI BOSCH

Robert Bosch Tool Corporation (le « vendeur ») garantit à l'acheteur initial seulement que tous les outils électriques portatifs et d'établi BOSCH sont exempts de vices de matériaux ou d'exécution pendant une période d'un an depuis la date d'achat. LA SEULE OBLIGATION DU VENDEUR ET LE SEUL RECOURS DE L'ACHETEUR sous la présente garantie limitée, et en autant que la loi le permette sous toute garantie ou condition implicite qui en découlerait, sera l'obligation de remplacer ou réparer gratuitement les pièces défectueuses matériellement ou comme fabrication, pourvu que lesdites déficiences ne soient pas attribuables à un usage abusif ou à quelque réparation bricolée par quelqu'un d'autre que le vendeur ou le personnel d'une station-service agréée. Pour présenter une réclamation en vertu de cette garantie limitée, vous devez renvoyer l'outil électrique portatif ou d'établi complet, port payé, à tout centre de service agréé ou centre de service usine. Veuillez consulter votre annuaire téléphonique pour les adresses.

LA PRÉSENTE GARANTIE NE S'APPLIQUE PAS AUX ACCESSOIRES TELS QUE LAMES DE SCIES CIRCULAIRES, MÊCHES DE PERCEUSES, FERS DE TOUPIES, LAMES DE SCIES SAUTEUSES, COURROIES DE PONÇAGE, MEULES ET AUTRES ARTICLES DU GENRE.

TOUTE GARANTIE IMPLICITE SERA LIMITÉE COMME DURÉE À UN AN À COMPTER DE LA DATE D'ACHAT. CERTAINS ÉTATS AMÉRICAINS, CERTAINES PROVINCES CANADIENNES N'ADMETTANT PAS LE PRINCIPE DE LA LIMITATION DE LA DURÉE DES GARANTIES IMPLICITES, IL EST POSSIBLE QUE LES LIMITATIONS CI-DESSUS NE S'APPLIQUENT PAS À VOTRE CAS.

EN AUCUN CAS LE VENDEUR NE SAURAIT ÊTRE TENU POUR RESPONSABLE DES INCIDENTS OU DOMMAGES INDIRECTES (INCLUANT, MAIS NE SE LIMITANT PAS AUX PERTES DE PROFITS) CONSÉQUENTS À LA VENTE OU L'USAGE DE CE PRODUIT. CERTAINS ÉTATS AMÉRICAINS ET CERTAINES PROVINCES CANADIENNES N'ADMETTANT PAS LE PRINCIPE DE LA LIMITATION NI L'EXCLUSION DES DOMMAGES INDIRECTES ET CONSÉQUENTIELS, IL EST POSSIBLE QUE LES LIMITATIONS OU EXCLUSIONS CI-DESSUS NE S'APPLIQUENT PAS À VOTRE CAS.

LA PRÉSENTE GARANTIE VOUS ACCORDE DES DROITS BIEN DÉTERMINÉS, Y COMPRIS POSSIBLEMENT CERTAINS DROITS VARIABLES DANS LES DIFFÉRENTS ÉTATS AMÉRICAINS, PROVINCES CANADIENNE ET DE PAYS À PAYS.

CETTE GARANTIE LIMITÉE NE S'APPLIQUE QU'AUX OUTILS ÉLECTRIQUES PORTATIFS ET D'ÉTABLI VENDUS AUX ÉTATS-UNIS D'AMÉRIQUE, AU CANADA ET AU COMMONWEALTH DE PORTO RICO. POUR COUVERTURE DE GARANTIE DANS LES AUTRES PAYS, CONTACTEZ VOTRE IMPORTATEUR OU REVENDEUR BOSCH LOCAL.

GARANTIA LIMITADA PARA HERRAMIENTAS MECANICAS PORTATILES Y PARA TABLERO DE BANCO BOSCH

Robert Bosch Tool Corporation ("el Vendedor") garantiza, únicamente al comprador original, que todas las herramientas mecánicas portátiles y para tablero de banco BOSCH estarán libres de defectos de material o de fabricación durante un período de un año a partir de la fecha de compra. LA ÚNICA OBLIGACION DEL VENDEADOR Y EL RECURSO EXCLUSIVO QUE USTED TIENE bajo esta Garantía Limitada y, hasta donde la ley lo permita, bajo cualquier garantía o condición implícita por ley, consistirá en la reparación o sustitución sin costo de las piezas que presenten defectos de material o de fabricación y que no hayan sido utilizadas incorrectamente, manejadas descuidadamente o reparadas incorrectamente por personas que no sean el Vendedor o una Estación de servicio autorizada. Para efectuar una reclamación bajo esta Garantía Limitada, usted debe devolver el producto, que consiste en la herramienta mecánica portátil o para tablero de banco completa, con el transporte pagado, a cualquier Centro de servicio de fábrica o Estación de servicio autorizada. Para Estaciones de servicio autorizadas de herramientas mecánicas BOSCH, por favor, consulte el directorio telefónico.

ESTA GARANTIA LIMITADA NO SE APLICA A ARTICULOS ACCESORIOS TALES COMO HOJAS PARA SIERRAS CIRCULARES, BROCAS PARA TALADROS, BROCAS PARA FRESADORAS, HOJAS PARA SIERRAS DE VAIVEN, CORREAS PARA LIJAR, RUEDAS DE AMOLAR Y OTROS ARTICULOS RELACIONADOS.

TODAS LAS GARANTIAS IMPLICITAS TENDRAN UNA DURACION LIMITADA A UN AÑO A PARTIR DE LA FECHA DE COMPRA. ALGUNOS ESTADOS DE LOS EE.UU. Y ALGUNAS PROVINCIAS CANADIENSES NO PERMITEN LIMITACIONES EN CUANTO A LA DURACION DE UNA GARANTIA IMPLICITA, POR LO QUE ES POSIBLE QUE LA LIMITACION ANTERIOR NO SEA APLICABLE EN EL CASO DE USTED.

EL VENDEADOR NO SERA RESPONSABLE EN NINGUN CASO DE NINGUN DAÑO INCIDENTAL O EMERGENTE (INCLUYENDO PERO NO LIMITADO A RESPONSABILIDAD POR PERDIDA DE BENEFICIOS) QUE SE PRODUZCA COMO CONSECUENCIA DE LA VENTA O UTILIZACION DE ESTE PRODUCTO. ALGUNOS ESTADOS DE LOS EE.UU. Y ALGUNAS PROVINCIAS CANADIENSES NO PERMITEN LA EXCLUSION O LIMITACION DE LOS DAÑOS INCIDENTALES O EMERGENTES, POR LO QUE ES POSIBLE QUE LA LIMITACION O EXCLUSION ANTERIOR NO SEA APLICABLE EN EL CASO DE USTED.

ESTA GARANTIA LIMITADA LE CONFIERE A USTED DERECHOS LEGALES ESPECIFICOS Y ES POSIBLE QUE USTED TAMBIEN TENGA OTROS DERECHOS QUE VARIAN DE ESTADO A ESTADO EN LOS EE.UU., DE PROVINCIA A PROVINCIA EN CANADA Y DE UN PAIS A OTRO.

ESTA GARANTIA LIMITADA SE APLICA SOLAMENTE A HERRAMIENTAS ELECTRICAS PORTATILES Y PARA TABLERO DE BANCO VENDIDAS EN LOS ESTADOS UNIDOS DE AMERICA, CANADA Y EL ESTADO LIBRE ASOCIADO DE PUERTO RICO. PARA COBERTURA DE GARANTIA EN OTROS PAISES, PONGASE EN CONTACTO CON SU DISTRIBUIDOR O IMPORTADOR LOCAL DE BOSCH.

© Robert Bosch Tool Corporation 1800 W. Central Road Mt. Prospect, IL 60056-2230

Exportado por: Robert Bosch Tool Corporation Mt. Prospect, IL 60056-2230, E.U.A.

Importado en México por: Robert Bosch, S.A. de C.V., Calle

Robert Bosch No. 405, Zona Industrial, Toluca, Edo. de

México, C.P. 50070, Tel. (722) 2792300



160992A3WF 04/2020

1 6 0 9 9 2 A 3 W F