

**IMPORTANT**  
Read Before Using

**IMPORTANT**  
Lire avant usage

**IMPORTANTE**  
Leer antes de usar



**Operating / Safety Instructions**  
**Consignes d'utilisation / de sécurité**  
**Instrucciones de funcionamiento y seguridad**

**GSS12V-40**



**BOSCH**

Call Toll Free for Consumer Information & Service Locations

Pour obtenir des informations et les adresses de nos centres de service après-vente, appelez ce numéro gratuit

Llame gratis para obtener información para el consumidor y ubicaciones de servicio

**1-877-BOSCH99 (1-877-267-2499) [www.boschtools.com](http://www.boschtools.com)**

For English Version  
See page 2

Version française  
Voir page 17

Versión en español  
Ver la página 32



## Safety Symbols

The definitions below describe the level of severity for each signal word. Please read the manual and pay attention to these symbols.

	This is the safety alert symbol. It is used to alert you to potential personal injury hazards. Obey all safety messages that follow this symbol to avoid possible injury or death.
	DANGER indicates a hazardous situation which, if not avoided, will result in death or serious injury.
	WARNING indicates a hazardous situation which, if not avoided, could result in death or serious injury.
	CAUTION indicates a hazardous situation which, if not avoided, could result in minor or moderate injury.

## General Power Tool Safety Warnings

**WARNING** Read all safety warnings, instructions, illustrations and specifications provided with this power tool. Failure to follow all instructions listed below may result in electric shock, fire and/or serious injury.

### SAVE ALL WARNINGS AND INSTRUCTIONS FOR FUTURE REFERENCE

The term “power tool” in the warnings refers to your mains-operated (corded) power tool or battery-operated (cordless) power tool.

### 1. Work area safety

- Keep work area clean and well lit.** Cluttered or dark areas invite accidents.
- Do not operate power tools in explosive atmospheres, such as in the presence of flammable liquids, gases or dust.** Power tools create sparks which may ignite the dust or fumes.
- Keep children and bystanders away while operating a power tool.** Distractions can cause you to lose control.

### 2. Electrical safety

- Power tool plugs must match the outlet. Never modify the plug in any way. Do not use any adapter plugs with earthed (grounded) power tools.** Unmodified plugs and matching outlets will reduce risk of electric shock.
- Avoid body contact with earthed or grounded surfaces, such as pipes, radiators, ranges and refrigerators.** There is an increased risk of electric shock if your body is earthed or grounded.

- Do not expose power tools to rain or wet conditions.** Water entering a power tool will increase the risk of electric shock.
- Do not abuse the cord. Never use the cord for carrying, pulling or unplugging the power tool. Keep cord away from heat, oil, sharp edges or moving parts.** Damaged or entangled cords increase the risk of electric shock.
- When operating a power tool outdoors, use an extension cord suitable for outdoor use.** Use of a cord suitable for outdoor use reduces the risk of electric shock.
- If operating a power tool in a damp location is unavoidable, use a Ground Fault Circuit Interrupter (GFCI) protected supply.** Use of an GFCI reduces the risk of electric shock.

### 3. Personal safety

- Stay alert, watch what you are doing and use common sense when operating a power tool. Do not use a power tool while you are tired or under the influence of drugs, alcohol or medication.** A moment of inattention while operating power tools may result in serious personal injury.



## General Power Tool Safety Warnings

- b. **Use personal protective equipment. Always wear eye protection.** Protective equipment such as a dust mask, non-skid safety shoes, hard hat, or hearing protection used for appropriate conditions will reduce personal injuries.
- c. **Prevent unintentional starting. Ensure the switch is in the off-position before connecting to power source and / or battery pack, picking up or carrying the tool.** Carrying power tools with your finger on the switch or energizing power tools that have the switch on invites accidents.
- d. **Remove any adjusting key or wrench before turning the power tool on.** A wrench or a key left attached to a rotating part of the power tool may result in personal injury.
- e. **Do not overreach. Keep proper footing and balance at all times.** This enables better control of the power tool in unexpected situations.
- f. **Dress properly. Do not wear loose clothing or jewelry. Keep your hair and clothing away from moving parts.** Loose clothes, jewelry or long hair can be caught in moving parts.
- g. **If devices are provided for the connection of dust extraction and collection facilities, ensure these are connected and properly used.** Use of dust collection can reduce dust-related hazards.
- h. **Do not let familiarity gained from frequent use of tools allow you to become complacent and ignore tool safety principles.** A careless action can cause severe injury within a fraction of a second.
- i. **ing power tools.** Such preventive safety measures reduce the risk of starting the power tool accidentally.
- d. **Store idle power tools out of the reach of children and do not allow persons unfamiliar with the power tool or these instructions to operate the power tool.** Power tools are dangerous in the hands of untrained users.
- e. **Maintain power tools and accessories. Check for misalignment or binding of moving parts, breakage of parts and any other condition that may affect the power tool's operation. If damaged, have the power tool repaired before use.** Many accidents are caused by poorly maintained power tools.
- f. **Keep cutting tools sharp and clean.** Properly maintained cutting tools with sharp cutting edges are less likely to bind and are easier to control.
- g. **Use the power tool, accessories and tool bits etc. in accordance with these instructions, taking into account the working conditions and the work to be performed.** Use of the power tool for operations different from those intended could result in a hazardous situation.
- h. **Keep handles and grasping surfaces dry, clean and free from oil and grease.** Slippery handles and grasping surfaces do not allow for safe handling and control of the tool in unexpected situations.

### 4. Power tool use and care

- a. **Do not force the power tool. Use the correct power tool for your application.** The correct power tool will do the job better and safer at the rate for which it was designed.
- b. **Do not use the power tool if the switch does not turn it on and off.** Any power tool that cannot be controlled with the switch is dangerous and must be repaired.
- c. **Disconnect the plug from the power source and/or remove the battery pack, if detachable, from the power tool before making any adjustments, changing accessories, or stor-**

### 5. Battery tool use and care

- a. **Recharge only with the charger specified by the manufacturer.** A charger that is suitable for one type of battery pack may create a risk of fire when used with another battery pack.
- b. **Use power tools only with specifically designated battery packs.** Use of any other battery packs may create a risk of injury and fire.
- c. **When battery pack is not in use, keep it away from other metal objects like paper clips, coins, keys, nails, screws, or other small metal objects that can make a connection from one terminal to another.** Shorting the battery terminals together may cause burns or a fire.
- d. **Under abusive conditions, liquid may be ejected from the battery, avoid contact. If**

## General Power Tool Safety Warnings

contact accidentally occurs, flush with water. If liquid contacts eyes, additionally seek medical help. Liquid ejected from the battery may cause irritation or burns.

- e. **Do not use a battery pack or tool that is damaged or modified.** Damaged or modified batteries may exhibit unpredictable behaviour resulting in fire, explosion or risk of injury.
- f. **Do not expose a battery pack or tool to fire or excessive temperature.** Exposure to fire or temperature above 265 °F may cause explosion.
- g. **Follow all charging instructions and do not charge the battery pack or tool outside the**

**temperature range specified in the instructions.** Charging improperly or at temperatures outside the specified range may damage the battery and increase the risk of fire.

### 6. Service

- a. **Have your power tool serviced by a qualified repair person using only identical replacement parts.** This will ensure that the safety of the power tool is maintained.
- b. **Never service damaged battery packs.** Service of battery packs should only be performed by the manufacturer or authorized service providers.

## Safety Rules for Orbital Sanders

- a. **Use clamps or another practical way to secure and support the workpiece to a stable platform.** Holding the work by your hand or against the body leaves it unstable and may lead to loss of control.
- b. **Remove battery before changing accessories.** Accidental start-ups may occur if battery is installed while changing an accessory.
- c. **If your tool is equipped with a dust bag, empty it frequently and after completion of sanding.** Be extremely careful of dust disposal, materials in fine particle form may be explosive. Do not throw sanding dust on an open fire. Spontaneous combustion may, in time, result from mixture of oil or water with dust particles.
- d. **Always wear eye protection and a dust mask for dusty applications and when sanding overhead.** Sanding particles can be absorbed by your eyes and inhaled easily and may cause health complications.
- e. **Do not wet sand with this sander.** Liquids entering the motor housing is an electrical shock hazard.
- f. **Do not use sandpaper intended for larger sanding pads.** Larger sandpaper will extend beyond the sanding pad causing snagging, tearing of the paper or kick-back. Extra paper extending beyond the sanding pad can also cause serious lacerations.

## Additional Safety Warnings

GFCI and personal protection devices like electrician's rubber gloves and footwear will further enhance your personal safety.

**Develop a periodic maintenance schedule for your tool. When cleaning a tool be careful not to disassemble any portion of the tool since internal wires may be misplaced or pinched or safety guard return springs may be improperly mounted.** Certain cleaning agents such as gasoline, carbon tetrachloride, ammonia, etc. may damage plastic parts.

**⚠️ WARNING** Some dust created by power sanding, sawing, grinding, drilling, and other construction activities contains chemicals known to cause cancer, birth

defects or other reproductive harm. Some examples of these chemicals are:

- Lead from lead-based paints,
- Crystalline silica from bricks and cement and other masonry products, and
- Arsenic and chromium from chemically-treated lumber.

**Your risk from these exposures varies, depending on how often you do this type of work.** To reduce your exposure to these chemicals: work in a well ventilated area, and work with approved safety equipment, such as those dust masks that are specially designed to filter out microscopic particles.

## Intended Use

The power tool is intended for dry sanding of wood, plastic, filler and coated surfaces.

### SAVE THESE INSTRUCTIONS

## Specifications

Model Number	GSS12V-40
Voltage rating	12 V
No load speed	6,000-10,000/min
Permitted battery temperature during charging	+32...+113°F (0...+45°C)
Permitted ambient temperature during operation and storage	-4...+122°F (-20...+50°C)
Recommended ambient temperature during charging	+32...+95°F (0...+35°C)
Weight	1.8 lbs.



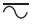



### Battery Packs / Chargers:

Please refer to the battery/charger list, included with your tool.

**NOTE:** For tool specifications refer to the nameplate on your tool.











## Symbols

**Important:** Some of the following symbols may be used on your tool. Please study them and learn their meaning. Proper interpretation of these symbols will allow you to operate the tool better and safer.

Symbol	Designation/Explanation
V	Volts (voltage)
A	Amperes (current)
Hz	Hertz (frequency, cycles per second)
W	Watt (power)
kg	Kilograms (weight)
min	Minutes (time)
s	Seconds (time)
∅	Diameter (size of drill bits, grinding wheels, etc.)
$n_0$	No load speed (rotational speed, at no load)
n	Rated speed (Maximum attainable speed)
.../min	Revolutions or reciprocation per minute (revolutions, strokes, surface speed, orbits etc. per minute)
0	Off position (zero speed, zero torque...)
1, 2, 3, ... I, II, III,	Selector settings (speed, torque or position settings. Higher number means greater speed)
0 	Infinitely variable selector with off (speed is increasing from 0 setting)
	Arrow (action in the direction of arrow)
~	Type or a characteristic of current
≡	Type or a characteristic of current
	Type or a characteristic of current
	Designates Double Insulated Construction tools
	Grounding terminal
	Alerts user to warning messages

## Symbols

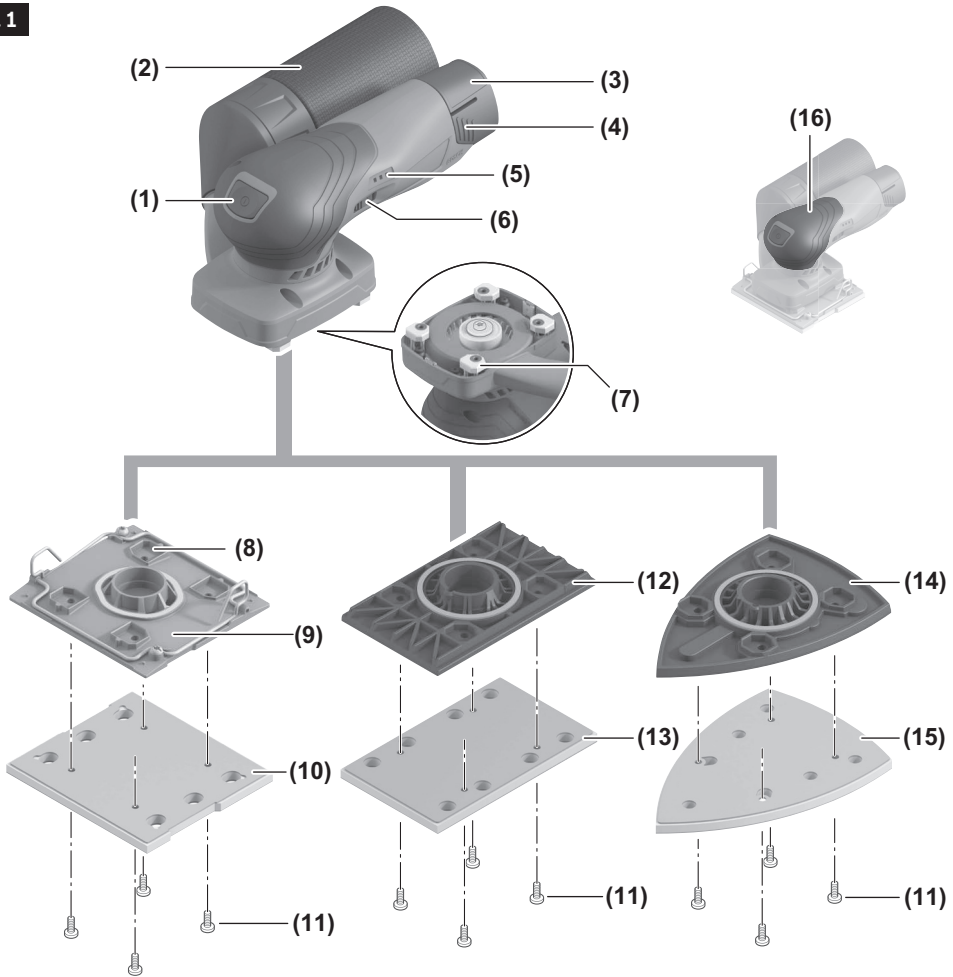
**Important:** Some of the following symbols may be used on your tool. Please study them and learn their meaning. Proper interpretation of these symbols will allow you to operate the tool better and safer.

Symbol	Designation/Explanation
	Alerts user to read manual.
	Alerts user to wear eye protection.
	Alerts user to wear respiratory protection.
	Alerts user to wear hearing protection.
	Alerts user to wear eye, respiratory, and hearing protection.
	This symbol designates that this tool is listed by Underwriters Laboratories, to United States and Canadian Standards.
	This symbol designates that this tool is listed by the Canadian Standards Association.
	This symbol designates that this tool is listed by the Canadian Standards Association, to United States and Canadian Standards.
	This symbol designates that this tool is listed by the Intertek Testing Services, to United States and Canadian Standards.
	Designates Li-ion battery recycling program.

# Getting to Know Your Product

## Cordless Orbit Sander

Fig. 1



- |                                    |   |
|------------------------------------|---|
| <b>1</b> On/Off Button Switch      | <b>9</b> Quarter (1/4) Sheet Base Plate       |
| <b>2</b> Dust Bag Assembly         | <b>10</b> Quarter (1/4) Sheet Backing Pad     |
| <b>3</b> Battery Pack              | <b>11</b> Base Plate Screws (x4)              |
| <b>4</b> Battery Pack Release Tabs | <b>12</b> Rectangular (1/3) Sheet Base Plate  |
| <b>5</b> Battery Charge Indicator  | <b>13</b> Rectangular (1/3) Sheet Backing Pad |
| <b>6</b> Variable Speed Dial       | <b>14</b> Detail Sheet Base Plate             |
| <b>7</b> Pivoting Feet             | <b>15</b> Detail Sheet Backing Pad            |
| <b>8</b> Base Mounting Recess      | <b>16</b> Gripping Surface (Insulated)        |



## Assembly

**⚠ WARNING** Disconnect battery pack from tool before making any assembly, adjustments or changing accessories. Such preventive safety measures reduce the risk of starting the tool accidentally.

### Backing Pad/Base Plate Installation

#### (Fig. 1)

This orbital sander is equipped with three different base plate and backing pad configurations and in general are used as follows:

**1/4 Sheet Base Plate and Backing Pad** – All-purpose general plate and pad configuration used for finishing details.

**1/3 Sheet Base Plate and Backing Pad** – All-purpose plate and pad configuration for more difficult to reach areas where a 1/4 Sheet Base Plate and Backing Pad will not fit.

**Detail Sheet Base Plate and Backing Pad** – Designed for hard-to-reach corners and crevices where 1/4 Sheet or 1/3 Sheet Base Plate and Backing Pad will not fit.

### Changing Orbital Sander Base Plate and Backing Pad

To change the backing pad, unscrew the four Base Plate Screws **11** completely and remove the backing pad (Fig. 1).

Pull the base plate away from the four Pivoting Feet **7** and place the replacement base plate on the four pivoting feet. Push the Pivoting Feet **7** into the four Base Mounting Recesses **8**. Align the backing pad to base plate and secure both base plate and backing pad in place with the Base Plate Screws **11**.

## Assembly

### Installing Accessories

(Fig. 2, 3, 4, 5)

Remove dirt and dust from the sanding plate e.g., with a brush, before attaching a new sanding sheet.

#### For 1/3 and Detail Sheets with a hook-and-loop Backing

If the sanding plate is fitted with a hook-and-loop fastening, sanding sheets with a hook-and-loop fastening backing can be secured quickly and easily.

Tap the hook-and-loop fastening of the sanding plate before fitting the Sanding Sheet **17** to facilitate maximum adhesion. Position the Sanding Sheet **17** so that it is flush with one side of the sanding plate, then place the Sanding Sheet on the sanding plate and press on firmly. To remove the Sanding Sheet **17**, take hold of it by a corner and pull it away from the sanding plate.

#### For 1/4 Sheet with a hook-and-loop Backing

Unlock both Sanding Sheet Clamp **19** levers and swivel them downwards (Fig. 2).

Insert the Sanding Sheet **17** under the Rear Clamping Bracket **20**. Ensure that the Sanding Sheet **17** is not too short to be correctly clamped under both Sanding Sheet Clamps **19** and the Rear Clamping Bracket **20**. Swivel the Sanding Sheet Clamp **19** lever back into starting position, lock it there, and repeat for the other Sanding Sheet Clamp lever (Fig. 3).

Fig. 2

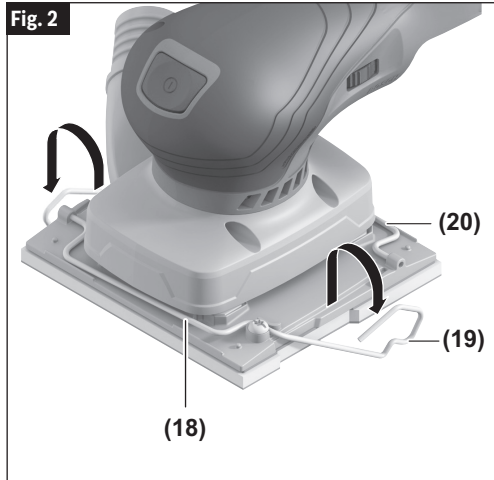
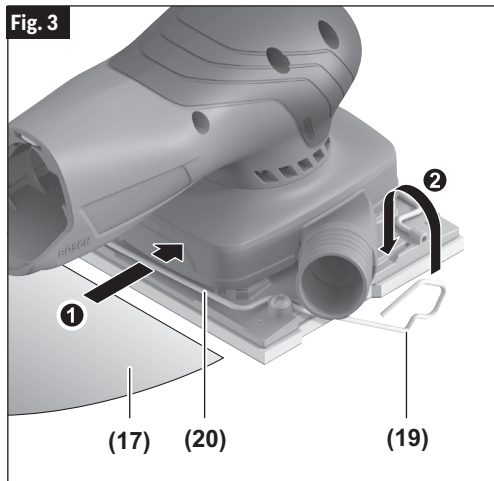


Fig. 3



## Assembly

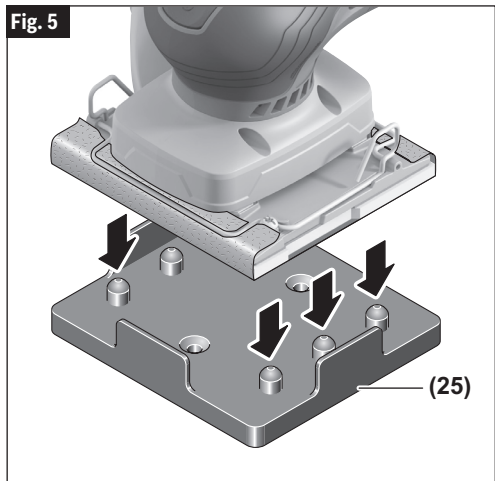
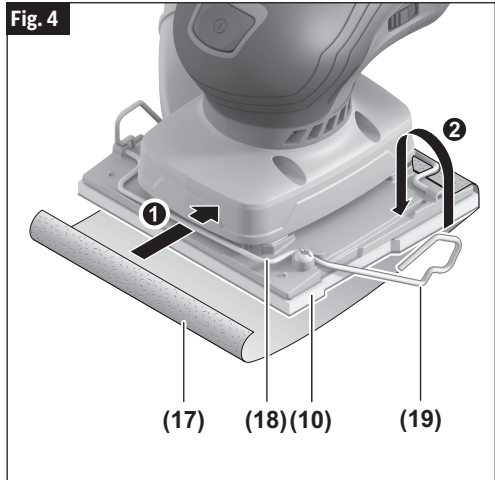
Place the Sanding Sheet **17** taut around the  $\frac{1}{4}$  Sheet Backing Pad **10**. Clamp the front part of the Sanding Sheet **17** under the Front Clamping Bracket **18**. Ensure that the Sanding Sheet **17** is not too short and that it is correctly clamped. Swivel the Sanding Sheet Clamp **19** lever back into the starting position, lock it there, and repeat for the other Sanding Sheet Clamp lever (Fig. 4).

To remove the Sanding Sheet **17**, unlock both Sanding Sheet Clamp **19** levers and pull the Sanding Sheet out of its holder.

### Punch Plate

After the Sanding Sheet **17** has been installed, it will be necessary to punch holes into the sheet using the Punch Plate **25** provided with your sander. Align sander backing pad with Punch Plate **25** and push down on the sander until Punch Plate pierces the sheet. Then remove Punch Plate **25** from sander (Fig. 5).

To ensure optimum dust extraction, pay attention that the punched holes in the Sanding Sheet **17** match with the holes in the backing pad.



## Dust Collection

### Dust Bag Assembly

(Fig. 6, 7)

**⚠ WARNING** Your tool is equipped with a dust bag: empty it frequently, after completion of sanding, and before storing the sander. Be extremely careful of dust disposal, materials in fine particle form may be explosive. Do not throw sanding dust on an open fire. Combustion from mixture of varnishes, lacquers, polyurethane, oil or water with dust particles can occur if there is a static discharge, spark introduced in the box, or excessive heat.

The integral dust extraction system collects sanding dust in the Dust Bag 22 supplied with your sander. For maximum efficiency, the Dust Bag 22 should be emptied frequently during operation.

### Removing and Installing Dust Bag Assembly

**To remove Dust Bag Assembly 2:** twist the Dust Bag 22 left or right and simply pull away from the tool.

**To install Dust Bag Assembly 2:** align Dust Port 21 with hole in Dust Bag Assembly 2 and push onto tool until it locks into place (Fig. 6).

### Cleaning and Emptying the Dust Bag Assembly

Before opening the Dust Bag 22, it is recommended to loosen dust from the Dust Bag 22 by gently tapping it against a solid surface.

**To empty Dust Bag 22:** hold Dust Bag 22 and maintain a firm grip. Unscrew the Dust Bag 22 from the Dust Bag Adapter 23 and pull them apart (Fig. 6). Then, shake out the Dust Bag 22 over a suitable waste bin (Fig. 7). Knock excess dust out of the Dust Bag 22, or remove dust with your fingers or a soft brush. You may notice that all the dust may not come out of the Dust Bag 22. This will not affect sanding performance but will reduce dust collection efficiency.

**NOTE:** Do not wash the Dust Bag 22 with soap and water. Dust may become more firmly lodged in the pores, which will reduce dust collection.

Fig. 6

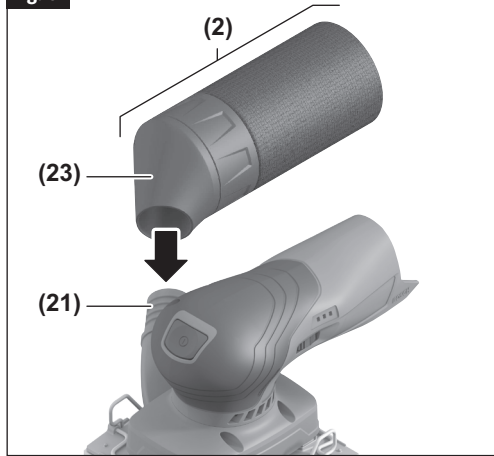


Fig. 7



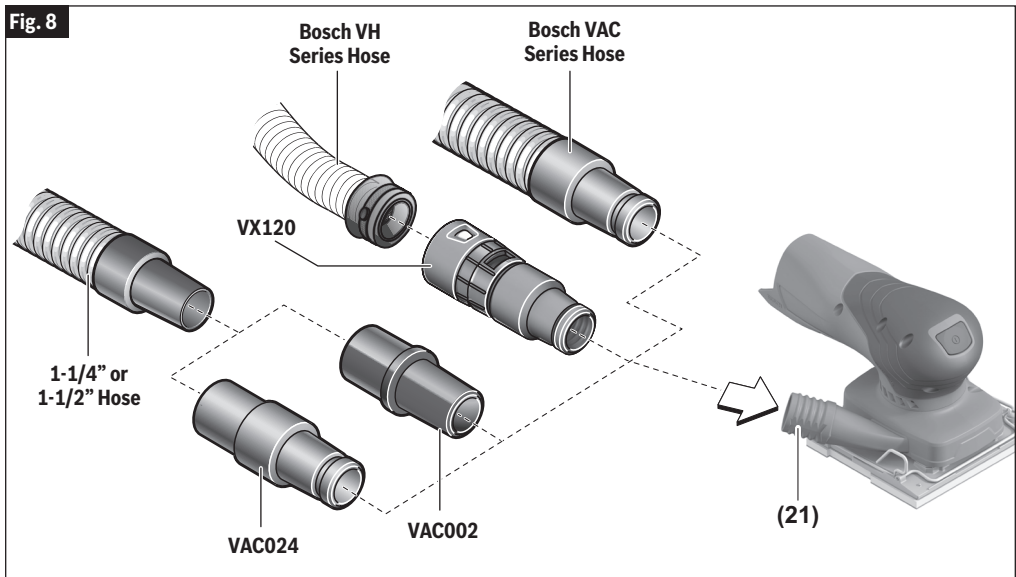
## Dust Collection

### Attaching a Vacuum Cleaner

(Fig. 8)

Dust collection can also be achieved by attaching the tool to a vacuum cleaner / dust extractor, hose and adapter, if necessary (all sold separately).

1. Attach the hose to the vacuum cleaner / dust extractor.
2. Attach the hose to the tool's Dust Port **21** in one of the following ways:
  - Bosch VH-series hoses - The VX120 hose adapter is required (included with VH-series hoses).
  - Other 35mm and 22mm hoses, such as the Bosch VAC-series hoses - Connect hose directly to the tool.
  - Common 1-1/4" or 1-1/2" hoses - The Bosch VAC002 or VAC024 adapter is required.



## Operation

### On/Off Button

TO TURN THE TOOL “ON” depress the On/Off Button Switch **1**.

TO TURN THE TOOL “OFF”: depress the On/Off Button Switch **1**.

See START OF SANDING on page 15.

### Variable Speed Dial

Your sander is also equipped with a Variable Speed Dial **6** (Fig. 1). The sander’s speed can be preset from zero to maximum nameplate speed by rotating the Variable Speed Dial **6** in the housing. The Variable Speed Dial **6** may be set on or between any of six positions (1=low through 6=high).

The following table may be used as a general guide for abrasive and backing pad selection, but the best results will be obtained by sanding a test sample of the workpiece first.

	Range of applications	Application	Grit Size	Speed setting
<b>1/3 Sheet Base Plate and Backing Pad</b>	-Sanding surfaces and corner spaces	Coarse sanding	40-180	4-6
	-Sanding in windows and doors -Sanding paint and varnish -Sanding wood -Sanding solid wood edges and veneer edges	Fine sanding	220-400	1-3
<b>1/4 Sheet Base Plate and Backing Pad</b>	-Sanding surfaces and corner spaces	Coarse sanding	40-180	4-6
	-Sanding in windows and doors -Sanding paint and varnish -Sanding wood	Fine sanding	220-400	1-3
<b>Detail Sheet Base Plate and Backing Pad</b>	-Sanding slats	Coarse sanding	40-180	4-6
	-Removal from surfaces with angles, corners and edges -Sanding paint and varnish -Sanding wood	Fine sanding	220-400	1-3

## Operation

### Using the Orbit Sander

Your sander was designed to sand in small or confined areas. Its small size and light weight makes it ideal for overhead work.

You may grip the tool from the Gripping Surface **16** with either the battery behind your hand or in front of you hand.

### Selecting Sanding Sheets

Open-coat aluminum oxide sanding sheets are recommended for most wood or metal sanding applications, as this synthetic material cuts quickly and wears well. Some applications, such as plastics, glass, or stone require silicon carbide sheets, which have a very sharp cutting edge. For best results, use Bosch sanding and polishing accessories, which are of superior quality and are carefully selected to produce professional quality results with your sander.

### Start of Sanding

With the workpiece firmly secured, first place the sander's pad on the work surface, then switch the tool on.

DO NOT start the tool and bring it up to speed before applying to the work.

DO NOT apply excessive pressure when switching the tool on (or at any other time).

Either method will likely create swirl marks.

Applying excessive pressure upon start-up will also shorten the life of the switch.

### Sanding Action

In general, higher speeds will give the best results. If faster removal is desired, DO NOT APPLY PRESSURE ON THE TOOL; use a coarser grade of abrasive. Move the sander in long sweeping strokes, parallel to the grain using some lateral motion to overlap the strokes by as much as 75%. The random orbit action allows cross-grain sanding, but be careful not to tilt the sander near edges, or undesirable rounding may result.

### Sanding Sequence

If the surface is rough, begin with coarser grits and then complete the surfacing with medium and fine abrasives. Because the orbit action is so effective, it is often possible to begin sanding with a medium grit sheet and go directly to fine finishing. To avoid uneven results, do not skip more than one grit size when going from coarser to finer, and do not sand in one area for too long.

### Removal of Sander

To help prevent swirl marks when the job is completed, gently lift the tool from the work surface, then switch the tool off. Operating in this manner will also prolong the switch life.

## Maintenance

**⚠ WARNING** To avoid accidents, always disconnect the battery pack from tool before servicing or cleaning.

### Service

**⚠ WARNING** NO USER SERVICEABLE PARTS INSIDE. Preventive maintenance performed by unauthorized personnel may result in misplacing of internal wires and components which could cause serious hazard. We recommend that all tool service be performed by a Bosch Factory Service Center or Authorized Bosch Service Station.

### Batteries

Be alert for battery packs that are nearing their end of life. If you notice decreased tool performance or significantly shorter running time between charges then it is time to replace the battery pack. Failure to do so can cause the tool to operate improperly or damage the charger.

### Tool Lubrication

Your Bosch tool has been properly lubricated and is ready for use.

### Motors

The motor in your tool has been engineered for many hours of dependable service. To maintain peak efficiency of the motor, we recommend it be examined every six months. Only a genuine Bosch replacement motor specially designed for your tool should be used.

### Cleaning

**⚠ CAUTION** Certain cleaning agents and solvents damage plastic parts. Some of these are: gasoline, carbon tetrachloride, chlorinated cleaning solvents, ammonia and household detergents that contain ammonia.

Ventilation openings and switch levers must be kept clean and free of foreign matter. Do not attempt to clean by inserting pointed objects through opening.

### Accessory Storage & Maintenance

Store accessories in a cool dry place and avoid freezing. Before use check accessory for cracks and fractures, do not use if damage is suspected.

## Accessories

**⚠ WARNING** Do not use attachments/accessories other than those specified by Bosch. Use of attachments/accessories not specified for use with the tool described in this manual may result in damage to tool, property damage, and or personal injury.

Standard equipment	Optional accessories and attachments
<ul style="list-style-type: none"><li>- 1/3 Sheet Base Plate and Backing Pad 3.2" x 5.1"</li><li>- 1/4 Sheet Base Plate and Backing Pad 3.9" x 4.9"</li><li>- Detail Sheet Base Plate and Backing Pad 3.9 x 5.9"</li><li>- Dust Bag Assembly</li><li>- Sand Paper</li><li>- Hole Punch</li></ul>	<ul style="list-style-type: none"><li>- Additional Types of Sanding Sheets</li><li>- Vacuum Hoses</li><li>- Vacuum Hose Adapters</li></ul>





## Symboles relatifs à la sécurité

Les définitions ci-dessous décrivent le niveau de gravité pour chaque terme signalant un danger. Veuillez lire le mode d'emploi et lire la signification de ces symboles.



C'est le symbole d'alerte relatif à la sécurité. Il est utilisé pour vous avertir de l'existence possible d'un danger de lésion corporelle. Obéissez à tous les messages relatifs à la sécurité qui suivent ce symbole pour éviter tout risque de blessure ou même de mort.



DANGER indique une situation dangereuse qui, si elle n'est pas évitée, causera la mort d'une personne ou une blessure grave.



AVERTISSEMENT indique une situation dangereuse qui, si elle n'est pas évitée, pourrait causer la mort d'une personne ou une blessure grave.



MISE EN GARDE indique une situation dangereuse qui, si elle n'est pas évitée, pourrait causer une blessure légère ou modérée.

## Avertissements généraux concernant la sécurité des outils lectroportatifs



**Lisez toutes les consignes de sécurité, instructions, illustrations et spécifications fournies avec cet outil électrique.** Le non-respect de toutes les instructions figurant ci-après pourrait causer un choc électrique, un incendie et/ou des blessures graves.

**CONSERVEZ TOUS LES AVERTISSEMENTS ET TOUTES LES CONSIGNES DE SÉCURITÉ POUR RÉFÉRENCE FUTURE.**

Dans les avertissements, le terme « outil électroportatif » se rapporte à votre outil branché sur le secteur (avec fil) ou à votre outil alimenté par piles (sans fil).

### 1. Sécurité du lieu de travail

- a. **Maintenez le lieu de travail propre et bien éclairé.** Les risques d'accident sont plus élevés quand on travaille dans un endroit encombré ou sombre.
- b. **N'utilisez pas d'outils électroportatifs dans des atmosphères explosives, comme par exemple en présence de gaz, de poussières ou de liquides inflammables.** Les outils électroportatifs produisent des étincelles qui risquent d'enflammer les poussières ou les vapeurs.
- c. **Éloignez les enfants et les visiteurs quand vous vous servez d'un outil électroportatif.** Vous risquez une perte de contrôle si on vous distrait.

### 2. Sécurité électrique

- a. **Les fiches des outils électroportatifs doivent correspondre à la prise.** Il ne faut absolument jamais modifier la fiche. N'utilisez pas d'adaptateur de prise avec des outils électroportatifs munis d'une fiche de terre. Le risque de choc électrique est moindre si on utilise une fiche non modifiée sur une prise qui lui correspond.
- b. **Évitez tout contact du corps avec des surfaces reliées à la terre tels que tuyaux, radiateurs, gazinières ou réfrigérateurs.** Le risque de choc électrique augmente si votre corps est relié à la terre.

- c. **N'exposez pas les outils électroportatifs à la pluie ou à l'humidité.** Si de l'eau pénètre dans un outil électroportatif, le risque de choc électrique augmente.
- d. **Ne maltraitez pas le cordon.** Ne vous en servez jamais pour transporter l'outil électroportatif, pour le tirer ou pour le débrancher. Éloignez le cordon de la chaleur, des huiles, des arêtes coupantes ou des pièces mobiles. Les cordons abîmés ou emmêlés augmentent les risques de choc électrique.
- e. **Si vous utilisez un outil électroportatif à l'extérieur, employez une rallonge conçue pour l'extérieur.** Ces rallonges sont faites pour l'extérieur et réduisent le risque de choc électrique.
- f. **S'il est absolument nécessaire d'utiliser l'outil électroportatif dans un endroit humide, utilisez une alimentation protégée par un disjoncteur de fuite de terre (GFCI).** L'utilisation d'un disjoncteur GFCI réduit les risques de choc électrique.

### 3. Sécurité personnelle

- a. **Restez concentré, faites attention à ce que vous faites, et servez-vous de votre bon sens lorsque vous utilisez un outil électroportatif.** N'employez pas d'outils électroportatifs quand vous êtes fatigué ou sous l'emprise de drogues, d'alcool ou de médicaments. Quand on utilise des



## Avertissements généraux concernant la sécurité des outils lectroportatifs

outils électroportatifs, il suffit d'un moment d'inattention pour causer des blessures corporelles graves.

- b. **Utilisez des équipements de sécurité personnelle.** Portez toujours une protection oculaire. Le port d'équipements de sécurité tels que des masques anti-poussières, des chaussures de sécurité antidérapantes, des casques de chantier et des protecteurs d'oreilles dans des conditions appropriées réduira le risque de blessure corporelle.
- c. **Évitez les démarrages intempestifs.** Assurez-vous que l'interrupteur est dans la position arrêté (Off) avant de brancher l'outil dans une prise de courant et/ou un bloc-piles, de le ramasser ou de le transporter. Le transport d'un outil électroportatif avec le doigt sur la gâchette ou le branchement de cet outil quand l'interrupteur est en position de marche (ON) est une invite aux accidents.
- d. **Enlevez toutes les clés de réglage avant de mettre l'outil électroportatif en marche.** Si on laisse une clé sur une pièce tournante de l'outil électroportatif, il y a un risque de blessure corporelle.
- e. **Ne vous penchez pas.** Conservez toujours une bonne assise et un bon équilibre. Ceci vous permettra de mieux maîtriser l'outil électroportatif dans des situations inattendues.
- f. **Habilitez-vous de manière appropriée.** Ne portez pas de vêtements amples ou de bijoux. Attachez les cheveux longs. N'approchez pas les cheveux, les vêtements ou les gants des pièces en mouvement. Les vêtements amples, les bijoux ou les cheveux longs risquent d'être happés par les pièces en mouvement.
- g. **Si l'outil est muni de dispositifs permettant le raccordement d'un système d'aspiration et de collecte des poussières, assurez-vous que ces dispositifs sont raccordés et utilisés correctement.** L'utilisation d'un dépoussiéreur peut réduire les dangers associés à l'accumulation de poussière.
- h. **Ne laissez pas la familiarité résultant de l'utilisation fréquente des outils vous inciter à devenir complaisant(e) et à ignorer les principes de sécurité des outils.** Une action négligente pourrait causer des blessures graves en une fraction de seconde.

### 4. Utilisation et entretien des outils électroportatifs

- a. **Ne forcez pas sur l'outil électroportatif.** Utilisez l'outil électroportatif qui convient à la tâche à effectuer. L'outil qui convient à la tâche fait un meilleur travail et est plus sûr à la vitesse pour lequel il a été conçu.

- b. **Ne vous servez pas de l'outil électroportatif si son interrupteur ne parvient pas à le mettre en marche ou à l'arrêter.** Tout outil électroportatif qui ne peut pas être commandé par son interrupteur est dangereux et doit être réparé.
- c. **Débranchez la fiche de la prise secteur et/ou retirez le bloc-piles de l'outil électrique (s'il est amovible) avant d'y apporter de quelconques modifications, de changer d'accessoire ou de ranger l'outil électrique.** De telles mesures de sécurité préventive réduisent le risque de démarrage intempestif de l'outil électroportatif.
- d. **Rangez les outils électroportatifs dont vous ne vous servez pas hors de portée des enfants et ne permettez pas à des personnes qui ne connaissent pas l'outil électroportatif ou qui ignorent ces consignes de s'en servir.** Les outils électroportatifs sont dangereux dans les mains d'utilisateurs inexpérimentés.
- e. **Entretenez de façon appropriée les outils électriques et les accessoires.** Assurez-vous que les pièces en mouvement sont bien alignées et qu'elles ne se coincent pas, qu'il n'y a pas de pièces cassées ou qu'il n'existe aucune situation pouvant affecter le fonctionnement de l'outil électrique. Si l'outil est abîmé, faites-le réparer avant de l'utiliser. De nombreux accidents sont causés par des outils électroportatifs mal entretenus.
- f. **Maintenez les outils coupants affûtés et propres. Les outils coupants entretenus correctement et dotés de bords tranchants affûtés sont moins susceptibles de coincer et sont plus faciles à maîtriser.**
- g. **Utilisez l'outil électroportatif, les accessoires et les embouts d'outil, etc.** conformément à ces instructions, en tenant compte des conditions de travail et des travaux à réaliser. L'emploi d'outils électroportatifs pour des tâches différentes de celles pour lesquelles ils ont été prévus peut résulter en une situation dangereuse.
- h. **Gardez les poignées et les surfaces de préhension propres, sèches et exemptes de toute trace d'huile ou de graisse.** Les poignées et les surfaces de préhension glissantes ne permettent pas une manipulation et un contrôle sûrs de l'outil dans des situations inattendues.

### 5. Utilisation et entretien des outils à piles

- a. **Rechargez les piles uniquement avec le chargeur spécifié par le fabricant.** Un chargeur qui convient à un type de bloc-piles peut entraîner un risque d'incendie quand il est utilisé avec un autre bloc-piles.
- b. **Utilisez des outils électroportatifs uniquement avec les bloc-piles spécifiquement désignés pour eux.** L'utilisation de tout autre bloc-piles peut créer un risque de blessures et d'incendie.



## Avertissements généraux concernant la sécurité des outils lectroportatifs

- c. **Lorsque le bloc-piles n'est pas utilisé, gardez-le à distances d'autres objets métalliques tels que des trombones, des pièces de monnaie, des clés, des clous, des vis ou de tout autre objet métallique pouvant faire une connexion entre une borne et une autre.** Court-circuiter les bornes des piles peut causer des brûlures ou un incendie.
- d. **Dans des conditions abusives, du liquide peut être éjecté de la pile ; dans un tel cas, évitez tout contact avec ce liquide.** Si un contact se produit accidentellement, rincez avec de l'eau. Si le liquide entre en contact avec les yeux, consultez un médecin. Du liquide éjecté de la pile peut causer des irritations ou des brûlures.
- e. **N'utilisez pas un bloc-piles ou un outil qui est endommagé ou a été modifié.** Des piles endommagées ou modifiées peuvent se comporter de façon imprévisible et causer un incendie ou une explosion, ou entraîner des blessures.
- f. **N'exposez pas un bloc-piles ou un outil à un incendie ou à une température excessive.** L'exposition à un incendie ou à une température supérieure à 265° F (130° C) pourrait causer une explosion.
- g. **Suivez toutes les instructions relatives à la charge et ne chargez pas le bloc-piles ou l'outil en dehors de la plage de température indiquée dans les instructions.** Une charge dans des conditions appropriées ou à des températures en dehors de la plage spécifiée pourrait endommager les piles et augmenter le risque d'incendie.

## 6. Entretien

- a. **Faites réparer votre outil électroportatif par un agent de service qualifié n'utilisant que des pièces de rechange identiques.** Ceci assure que la sécurité de l'outil électroportatif est préservée.
- b. **Ne tentez jamais de réparer des blocs-piles endommagés.** La réparation de blocs-piles ne doit être effectuée que par le fabricant ou un prestataire de services agréé.



## Consignes de sécurité de la ponceuse à orbite



- a. **Utilisez des brides ou d'autres moyens pratiques de brider ou de supporter la pièce sur une plate-forme stable.** Tenir la pièce à la main ou contre le corps la rend instable et risque de résulter en une perte de contrôle.
- b. **Retirez les piles avant de changer un accessoire.** Un démarrage accidentel risque de se produire si les piles restent en place pendant le changement d'un accessoire.
- c. **Si votre outil est équipé d'un sac à poussière, videz-le souvent et au terme du ponçage.** Procédez extrêmement soigneusement dans l'évacuation de la poussière, les matières sous forme de particules fines peuvent être explosives. Ne jetez pas le bran de scie sur des flammes nues. Une combustion spontanée peut parfois résulter d'un mélange d'huile ou d'eau avec des particules de poussière.
- d. **Portez toujours des lunettes de protection et un masque antipoussières pour les applications poussiéreuses et lors du ponçage audessus de la tête.** Des particules de ponçage peuvent être absorbées par vos yeux et inhalées facilement et peuvent causer des problèmes de santé.
- e. **Ne poncez pas par voie humide à l'aide de cette ponceuse.** La pénétration de liquides dans le carter du moteur constitue un risque de secousses électriques.
- f. **N'utilisez pas du papier de verre destiné à des blocs de ponçage plus gros.** Le papier de verre de dimensions plus grandes fera saillie au-delà du bloc de ponçage entraînant ainsi des accrocs, un déchirement du papier ou un rebond. Le papier supplémentaire faisant saillie au-delà du bloc de ponçage peut également causer des lacérations graves.



## Avertissements supplémentaires concernant la sécurité

L'emploi d'un GFCI et de dispositifs de protection personnelle tels que gants et chaussures d'électricien en caoutchouc améliorent votre sécurité personnelle.

**Créez un agenda d'entretien périodique pour votre outil. Quand vous nettoyez un outil, faites attention de n'en démonter aucune pièce car il est toujours possible de mal remonter ou de pincer les fils internes ou de remonter incorrectement les ressorts de rappel des capots de protection.** Certains agents de nettoyage tels que l'essence, le tétrachlorure de carbone, l'ammoniaque, etc. risquent d'abîmer les plastiques.

**AVERTISSEMENT** Les travaux à la machine tel que ponçage, sciage, meulage, perçage et autres travaux du bâtiment peuvent créer des poussières contenant des produits chimiques qui sont des causes reconnues de

**cancer, de malformation congénitale ou d'autres problèmes reproductifs. Ces produits chimiques sont, par exemple :**

- Le plomb provenant des peintures à base de plomb,
- Les cristaux de silices provenant des briques et du ciment et d'autres produits de maçonnerie, et
- L'arsenic et le chrome provenant des bois traités chimiquement.

Le niveau de risque dû à cette exposition varie avec la fréquence de ces types de travaux. Pour réduire l'exposition à ces produits chimiques, il faut travailler dans un lieu bien ventilé et porter un équipement de sécurité approprié tel que certains masques à poussière conçus spécialement pour filtrer les particules microscopiques.

## Utilisation prévue

Cet outil électrique est destiné au ponçage à sec du bois, du plastique, des mastics et des surfaces revêtues.

## CONSERVEZ CES INSTRUCTIONS

## Spécifications

Numéro de modèle	GSS12V-40
Tension nominale	12 V
Régime à vide	6,000-10,000/min
Température admissible des piles pendant la charge	+32...+113°F (0...+45°C)
Température ambiante admissible pendant le fonctionnement et le stockage	-4...+122°F (-20...+50°C)
Température ambiante recommandée pendant la charge	+32...+95°F (0...+35°C)
Poids	1.8 lbs







### Bloc-piles/chargeurs

Veuillez vous référer à la liste des piles/chargeurs accompagnant votre outil.

**REMARQUE :** Pour spécifications de l'outil, reportez-vous à la plaque signalétique de votre outil.











## Symboles

**IMPORTANT** : Certains des symboles suivants peuvent être utilisés sur votre outil. Veuillez les étudier et apprendre leur signification. Une interprétation appropriée de ces symboles vous permettra d'utiliser l'outil de façon plus efficace et plus sûre.

Symbole	Désignation / Explication
V	Volts (voltage)
A	Ampères (courant)
Hz	Hertz (fréquence, cycles par seconde)
W	Watt (puissance)
kg	Kilogrammes (poids)
min	Minutes (temps)
s	Seconds (temps)
∅	Diamètre (taille des mèches de perceuse, meules, etc.)
$n_0$	Vitesse à vide (vitesse de rotation, à vide)
n	Vitesse nominale (vitesse maximum pouvant être atteinte)
.../min	Tours ou mouvement alternatif par minute (tours, coups, vitesse en surface, orbites, etc., par minute)
0	Position d'arrêt (vitesse zéro, couple zéro ...)
1, 2, 3, ... I, II, III,	Réglages du sélecteur (Réglages de vitesse, de couple ou de position. Un nombre plus élevé signifie une vitesse plus grande)
0 	Sélecteur variable à l'infini avec arrêt (La vitesse augmente depuis le réglage 0)
	Flèche (action dans la direction de la flèche)
~	Courant alternatif (type ou caractéristique du courant)
==	Courant continu (type ou caractéristique du courant)
	Courant alternatif ou continu (type ou caractéristique du courant)
	Construction classe II (désigne des outils construits avec double isolation)
	Borne de terre (borne de mise à la terre)
	Symbole d'avertissement (Alerte l'utilisateur aux messages d'avertissement)

## Symboles

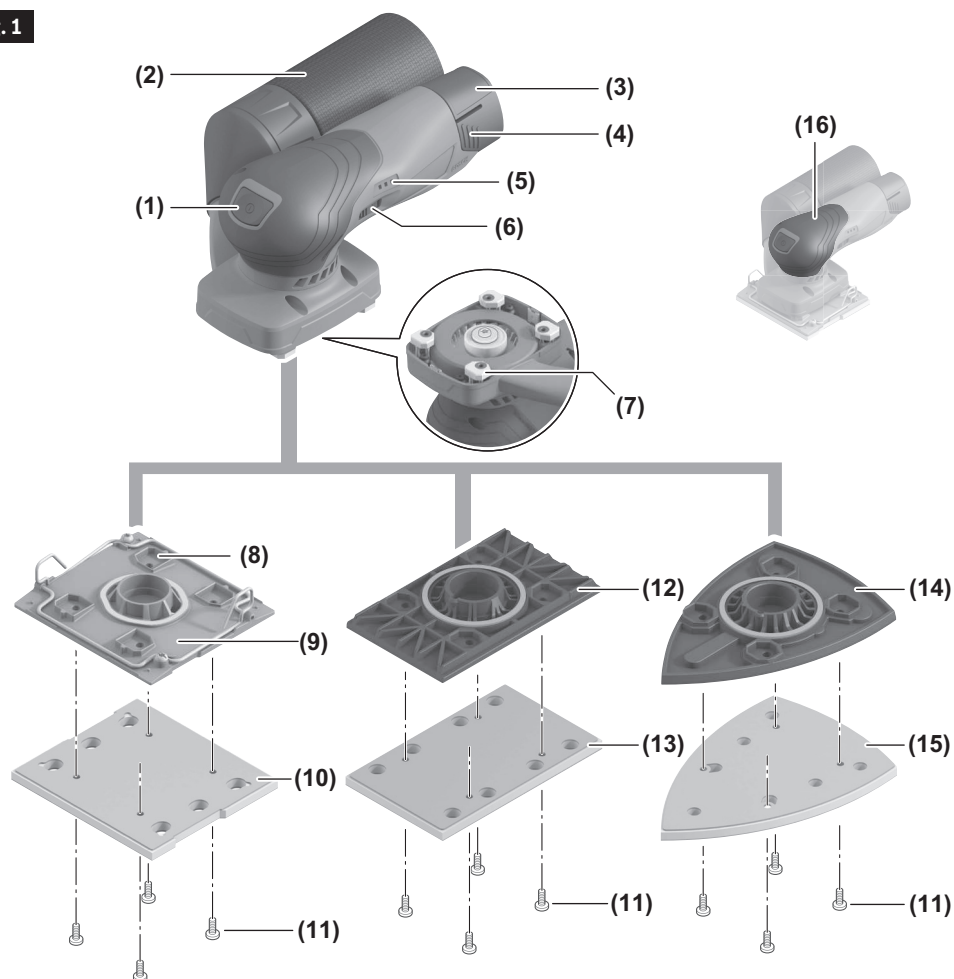
**IMPORTANT** : Certains des symboles suivants peuvent être utilisés sur votre outil. Veuillez les étudier et apprendre leur signification. Une interprétation appropriée de ces symboles vous permettra d'utiliser l'outil de façon plus efficace et plus sûre.

Symbole	Désignation / Explication
	Alerte l'utilisateur pour lire le mode d'emploi.
	Alerte l'utilisateur pour porter des lunettes de sécurité.
	Alerte l'utilisateur pour porter une protection respiratoire.
	Alerte l'utilisateur pour porter des protecteurs d'oreilles.
	Fait savoir à l'utilisateur qu'il doit porter des protections oculaires, respiratoires et auditives.
	Ce symbole signifie que cet outil est approuvé par Underwriters Laboratories selon les normes des États-Unis et du Canada.
	Ce symbole signifie que cet outil est approuvé par l'Association canadienne de normalisation.
	Ce symbole signifie que cet outil est approuvé par l'Association canadienne de normalisation selon les normes des États-Unis et du Canada.
	Ce symbole signifie que cet outil est approuvé par Intertek Testing Services selon les normes des États-Unis et du Canada.
	Désigne le programme de recyclage des piles Li-ion.

## Familiarisez-vous avec votre produit

### Ponceuse à orbite

Fig. 1



1 Bouton d'interrupteur de marche/arrêt

2 Ensemble de sac à poussière

3 Bloc-piles

4 Languettes d'éjection du bloc-piles

5 Témoin d'état de charge des piles

6 Cadran de réglage de la vitesse

7 Pieds pivotants

8 Encastrement de montage de la base

9 Plaque de base pour un quart (1/4) de feuille

10 Plateau de support pour un quart (1/4) de feuille

11 Vis de la plaque de base (x4)

12 Plaque de base rectangulaire pour un tiers (1/3) de feuille

13 Plateau de support rectangulaire pour un tiers (1/3) de feuille

14 Plaque de base pour feuille abrasive de finition

15 Tampon de support pour feuille abrasive de finition

16 Surface de préhension (isolée)

## Assemblage

**⚠ AVERTISSEMENT** Débranchez le bloc-piles de l'outil avant d'effectuer tout assemblage ou réglage, ou de changer des accessoires. Ces mesures de sécurité préventives réduisent le risque d'une mise en marche accidentelle de l'outil.

### Installation du plateau de support/de la plaque de base

(Fig. 1)

Cette ponceuse orbitale est équipée de trois configurations différentes de plaques de base et de plateaux de support, qui sont généralement utilisées comme suit :

**Plaque de base et plateau de support pour 1/4 de feuille** – Configuration générale universelle de plaque et de plateau utilisée pour le ponçage de finition.

**Plaque de base et plateau de support pour 1/3 de feuille** – Configuration polyvalente de la plaque et du plateau pour les zones plus difficiles à atteindre où une plaque de base et un plateau de support conçus pour 1/4 de feuille ne conviennent pas.

**Plaque de base et plateau de support pour papier abrasif de finition** – Conçus pour les coins et les crevasses difficiles à atteindre où une plaque de base et un plateau de support conçus pour 1/4 de feuille ou 1/3 de feuille ne conviennent pas.

### Changement de la plaque de base et du plateau de support de la ponceuse orbitale

Pour changer le plateau de support, dévissez complètement les quatre vis de la plaque de base **11** et retirez le plateau de support (Fig. 1).

Retirez la plaque de base des quatre pieds pivotants **7** et placez la plaque de base de remplacement sur les quatre pieds pivotants. Poussez les pieds pivotants **7** dans les quatre encastres prévus pour le montage de la base **8**. Alignez le plateau de support sur la plaque de base et fixez la plaque de base et le plateau de support en place avec les vis de la plaque de base **11**.



## Assemblage

### Installation des accessoires

(Fig. 2, 3, 4, 5)

Enlevez la saleté et la poussière de la plaque de ponçage, par exemple avec une brosse, avant de fixer une nouvelle feuille de ponçage.

#### Pour les plaques conçues pour 1/3 de feuille et les plaques de finition avec un support auto-agrippant

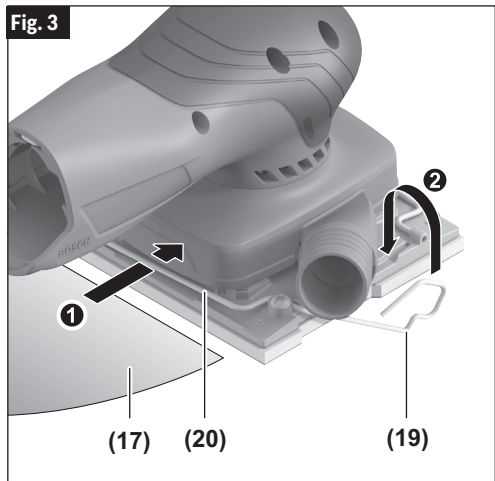
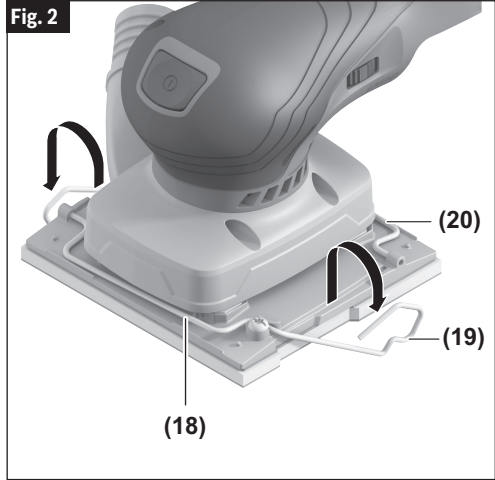
Si la plaque de ponçage est équipée d'une fixation auto-agrippante, les feuilles de ponçage avec un support de fixation auto-agrippant peuvent être fixées rapidement et facilement.

Tapez sur la fixation auto-agrippante de la plaque de ponçage avant de mettre en place la feuille abrasive **17** pour faciliter une adhérence maximale. Positionnez la feuille abrasive **17** de manière à ce qu'elle affleure un côté de la plaque de ponçage, puis placez la feuille abrasive sur la plaque de ponçage et appuyez fermement dessus. Pour retirer la feuille abrasive **17**, saisissez-la par un coin et éloignez-la de la plaque de ponçage.

#### Pour les plaques conçues pour 1/4 de feuille avec un support auto-agrippant

Déverrouillez les deux leviers de la bride de fixation de la feuille abrasive **19** et faites-les pivoter vers le bas (Fig. 2).

Insérez la feuille de ponçage **17** sous le support de fixation arrière **20**. Assurez-vous que la feuille abrasive **17** n'est pas trop courte pour pouvoir être correctement serrée sous les deux brides de fixation de feuilles abrasives **19** et le support de fixation arrière **20**. Faites pivoter le levier de la bride de fixation de la feuille abrasive **19** pour le remettre dans sa position initiale, verrouillez-le dans cette position et recommencez l'opération pour l'autre levier de la bride de fixation de la feuille abrasive (Fig. 3).



## Assemblage

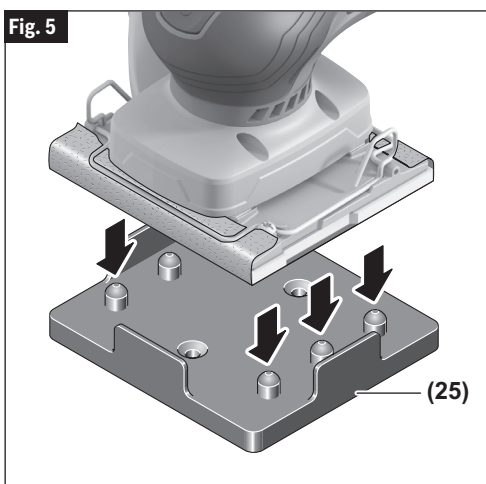
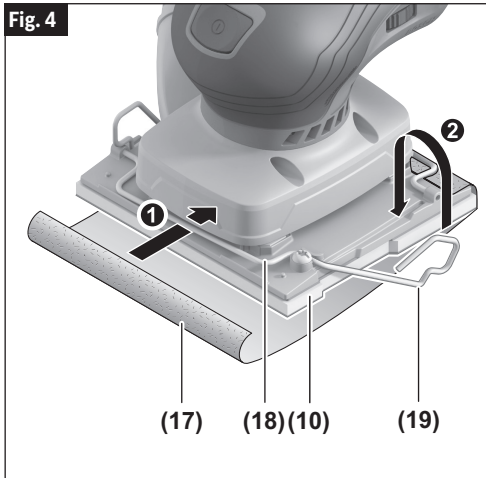
Placez la feuille de ponçage **17** tendue autour du plateau de support prévu pour 1/4 de feuille **10**. Serrez la partie avant de la feuille abrasive **17** sous le support de fixation avant **18**. Assurez-vous que la feuille de ponçage **17** n'est pas trop courte et qu'elle est attachée correctement. Faites pivoter le levier de la bride de fixation de la feuille abrasive **19** pour le remettre dans sa position initiale, verrouillez-le dans cette position et recommencez l'opération pour l'autre levier de la bride de fixation de la feuille abrasive (Fig. 4).

Pour retirer la feuille de ponçage **17**, déverrouillez les deux leviers des brides de fixation des feuilles abrasives **19**, et tirez sur la feuille abrasive pour la faire sortir de son conteneur.

### Plaque de perforation

Après avoir terminé l'installation de la feuille abrasive **17**, vous devrez percer des trous dans la feuille en utilisant la plaque de perforation **25** fournie avec votre ponceuse. Alignez le plateau de support de la ponceuse sur la plaque de perforation **25** et appuyez sur la ponceuse jusqu'à ce que la plaque de perforation ait percé la feuille. Puis retirez la plaque de perforation **25** de la ponceuse (Fig. 5).

Pour assurer une extraction optimale de la poussière, vérifiez que les trous perforés dans la feuille abrasive **17** correspondent aux trous du plateau de support.



## Ramassage de la poussière

### Assemblage du sac à poussière

(Fig. 6, 7)

**⚠ AVERTISSEMENT** Votre outil est muni d'un sac à poussière, videz-le fréquemment, après avoir fini de poncer et avant de ranger la ponceuse. Soyez très prudents quand vous jetez la poussière. Les matériaux sous forme de fines particules peuvent être explosifs. Ne jetez pas la poussière sur une flamme nue. Il y a risque de combustion de vernis, laques, polyuréthane, huile ou eau mélangés avec des particules de poussière en présence d'une décharge électrostatique, d'une étincelle introduite dans la boîte ou de chaleur excessive.

Le système de de poussière intégré stocke la poussière dans le sac à poussière 21 fourni avec votre ponceuse. Pour en maximiser le rendement, il convient de vider le sac à poussière 21 fréquemment pendant le ponçage.

### Retrait et installation de l'ensemble de sac à poussière

**Pour retirer l'ensemble de sac à poussière 2 :** tournez le sac à poussière 22 vers la gauche ou vers la droite, et tirez simplement dessus pour l'éloigner de l'outil.

**Pour installer l'ensemble de sac à poussière 2 :** alignez l'orifice de dépoussiérage 21 sur le trou de l'ensemble de sac à poussière 2 et poussez sur l'outil jusqu'à ce qu'il se verrouille en place (Fig. 6).

### Nettoyage et vidage de l'ensemble de sac à poussière

Avant de vider le sac à poussière 22, il est recommandé de détacher la poussière du sac 22 et le tapotant doucement contre une surface solide.

**Pour vider le sac 22,** tenez fermement le sac 22 tout au long de l'opération. Dévissez le sac 22 de l'adaptateur 23 en plastique, et séparez-les l'un de l'autre (Fig. 6). Secouez ensuite le sac 22 audessus d'une poubelle appropriée (Fig. 7). Poussez fermement vers le haut sur la languette située au coin du couvercle et retirez ce dernier du réservoir. Tapotez pour éliminer l'excédent de poussière du sac 22 ou enlevez-la avec les doigts ou une brosse douce. Il est possible que vous ne parveniez pas à enlever toute la poussière du sac 22. Ceci n'affecte pas la performance de la ponceuse mais réduit l'efficacité de l'aspiration de poussière.

**REMARQUE :** Ne lavez pas le sac à poussière 22 à l'eau et au savon car la poussière risque de se loger plus fermement dans les pores, ce qui réduit le ramassage de poussière.

Fig. 6

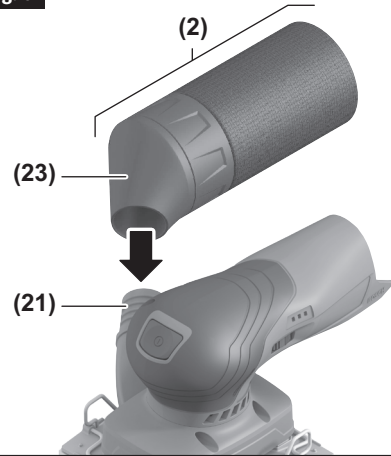


Fig. 7



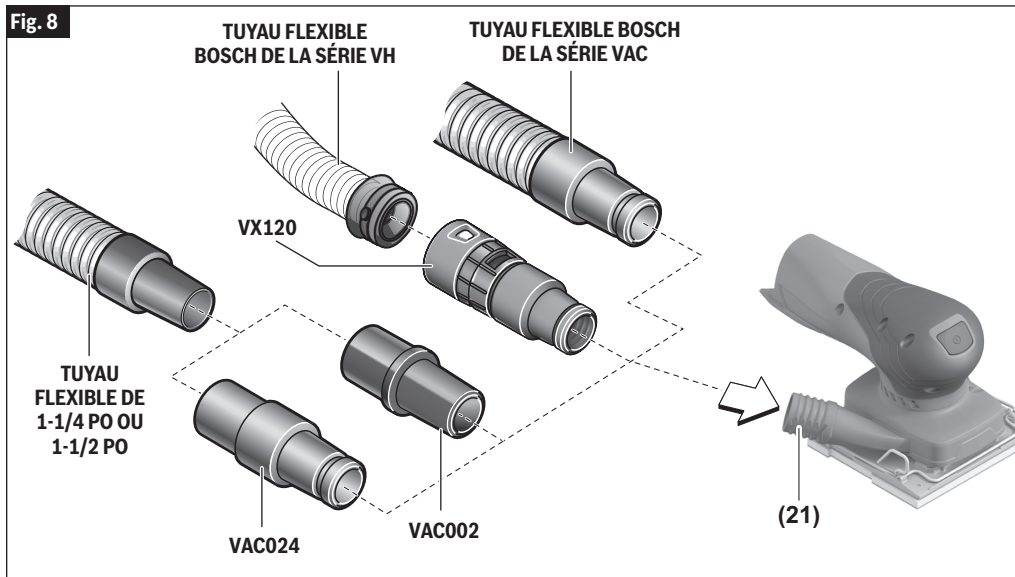
## Ramassage de la poussière

### Attachement d'un aspirateur

(Fig. 8)

La collecte de la poussière peut également être effectuée en attachant l'outil à un aspirateur/extracteur de poussière, avec un tuyau et un adaptateur, si nécessaire (tous vendus séparément).

1. Attachez le tuyau flexible à l'aspirateur/extracteur de poussière.
2. Attachez le tuyau flexible à l'orifice de poussière **21** de l'outil de l'une des façons suivantes:
  - Tuyaux flexibles Bosch de la série VH – L'adaptateur de tuyau flexible VX120 est nécessaire (inclus dans la série de tuyaux flexibles VH).
  - Autres tuyaux flexibles de 35 mm et 22 mm, tels que les tuyaux flexibles Bosch de la série VAC – Raccordez le tuyau flexible directement à l'outil.
  - L'adaptateur Bosch VAC002 ou VAC024 est nécessaire.



## Opération

### Interrupteur à bascule marche/arrêt

POUR METTRE L'OUTIL SOUS TENSION, appuyez sur le bouton de marche/arrêt **1**, puis relâchez-le.

POUR METTRE L'OUTIL HORS TENSION : appuyez sur le bouton de marche/arrêt **1**.

Voir DÉBUT DU PONÇAGE à la page 30.

### Cadran de réglage de la vitesse

Votre ponceuse est également équipée d'un cadran de réglage de la vitesse **6** (Fig. 1). La vitesse de la ponceuse peut être préréglée de zéro à la vitesse maximale indiquée sur la plaque signalétique en tournant le cadran de réglage de la vitesse **6** dans le boîtier. Le cadran de réglage de la vitesse **6** peut être réglé sur ou entre l'une des six positions (1=lente à 6=rapide).

Généralement, vous pouvez vous guider sur le tableau suivant quant au choix des disque abrasif et disque d'appui, mais un essai préalable sur une retaille produira de meilleurs résultats.

Gamme d'applications	Application	Taille du grain	Réglages de la vitesse
<b>Plateau de support et plaque de base pour 1/3 de feuille</b>	-Ponçage de surfaces et d'espaces dans des coins	Ponçage grossier 40-180	4-6
	-Ponçage de fenêtres et de portes -Ponçage de peinture et de vernis -Ponçage de bois -Ponçage de bords de bois massif et de bords de placage	Ponçage fin 220-400	1-3
<b>Plateau de support et plaque de base pour 1/4 de feuille</b>	-Ponçage de surfaces et d'espaces dans des coins	Ponçage grossier 40-180	4-6
	-Ponçage de fenêtres et de portes -Ponçage de peinture et de vernis -Ponçage de bois	Ponçage fin 220-400	1-3
<b>Tampon de support et plaque de base pour des feuilles conçues pour la finition</b>	-Ponçage de planchettes	Ponçage grossier 40-180	4-6
	-Enlèvement de matériau sur des surfaces avec des angles, des coins et des bords -Ponçage de peinture et de vernis -Ponçage de bois	Ponçage fin 220-400	1-3

## Opération

### Utilisation de la ponceuse orbitale

Votre ponceuse a été conçue de manière à poncer dans les espaces limités ou restreints. Ses petites dimensions et son poids léger la rendent idéale pour le travail effectué au-dessus de la tête.

Vous pouvez saisir l'outil par la surface de préhension **16** avec la pile derrière votre main ou devant votre main.

### Sélection des feuilles abrasives

Les feuilles abrasives en oxyde d'aluminium à couche ouverte sont recommandées pour la plupart des applications de ponçage du bois ou du métal, étant donné que ce matériau synthétique coupe rapidement et s'use assez lentement et uniformément. Certaines applications, telles que le plastique, le verre ou la pierre, nécessitent des feuilles de carbure de silicium, dont le bord tranchant est très aiguisé. Pour de meilleurs résultats, utilisez les accessoires de ponçage et de polissage Bosch qui sont de qualité supérieure et sont choisis soigneusement de manière à produire des résultats de qualité professionnelle avec votre ponceuse.

### Début du ponçage

Après avoir sécurisé l'ouvrage, placez le tampon de ponçage sur la surface de travail, puis mettez l'outil en marche.

NE mettez PAS l'outil en marche et ne le faites pas fonctionner à sa vitesse standard avant de l'avoir mis en contact avec l'ouvrage.

N'appliquez PAS une pression excessive lorsque vous mettez l'outil en marche (ou à tout autre moment).

Dans les deux cas, ceci créerait probablement des marques causées par le tourbillonnement.

L'application d'une pression excessive au moment de la mise en marche raccourcira également la durée de vie de l'interrupteur.

### Action de ponçage

Généralement, le ponçage à haute vitesse produit les meilleurs résultats. Si un retrait plus rapide est désiré, NE FAITES PAS PRESSION SUR L'OUTIL ; Optez plutôt pour un disque à grain plus gros. Déplacez la ponceuse par de longues courses de balayage, en parallèle au grain du bois, en ayant recours à un certain mouvement latéral en vue de chevaucher les courses dans une proportion allant jusqu'à 75 %. L'action orbitale permet de poncer perpendiculairement aux fibres, mais prenez garde de ne pas incliner la ponceuse près des bords pour ne pas les arrondir involontairement.

### Séquence de ponçage

Si la surface est rugueuse, commencez avec un disque à grain plus gros, puis finissez avec un à grain moyen suivi d'un à grain fin. Étant donné que l'action orbitale est si efficace, il est souvent possible de commencer avec un disque de ponçage à grain moyen et passer directement à la finition. Pour éviter de gouger la surface, ne «sautez» pas plus d'une grosseur de grain quand vous passez d'un plus gros grain à un plus fin; ne vous attardez pas trop longtemps au même endroit non plus.

### Retrait de la ponceuse

Pour éviter de laisser des marques en forme de spirale à la fin du ponçage, soulevez doucement l'outil de la surface de travail, puis mettez l'outil à l'arrêt. L'absence d'application d'une pression excessive prolongera la durée de vie de l'interrupteur.

## Entretien

### **⚠ AVERTISSEMENT**

Pour éviter les accidents, débranchez toujours l'outil et/ou le chargeur de la source de courant avant de nettoyer.

#### Service

### **⚠ AVERTISSEMENT**

**IL N'EXISTE À L'INTÉRIEUR AUCUNE PIÈCE SUSCEPTIBLE D'ÊTRE ENTRE TENUE PAR L'UTILISATEUR. L'entretien préventif exécuté par des personnes non autorisés peut entraîner un positionnement erroné des composants et des fils internes, ce qui peut présenter de graves dangers.** Nous recommandons de confier toute intervention d'entretien sur l'outil à un centre de service-usine Bosch ou à un centre de service après-vente Bosch agréé.

#### Piles

Faire attention aux blocs-piles qui approchent la fin de leur vie. Si vous remarquez une diminution dans les performances de votre outil ou une durée de fonctionnement réduite de manière significative entre charges, il est temps de remplacer le bloc-piles. S'il n'est pas remplacé, il se peut qu'il endommage le chargeur ou que l'outil fonctionne incorrectement.

#### Graissage de l'outil

Votre outil Bosch a été graissé de manière appropriée et il est prêt à l'usage.

#### Moteurs

Le moteur de votre outil a été conçu pour de nombreuses heures d'utilisation fiable. Pour maintenir l'efficacité maximale du moteur, nous recommandons de l'examiner tous les six mois. Seul un moteur de remplacement Bosch authentique, conçu spécialement pour votre outil, doit être utilisé.

#### Nettoyage

**⚠ MISE EN GARDE** Certains agents de nettoyage et certains dissolvants abîment les pièces en plastique. Parmi ceux-ci se trouvent: l'essence, le tétrachlorure de carbone, les dissolvants de nettoyage chlorés, l'ammoniaque ainsi que les détergents domestiques qui en contiennent.

Les prises d'air et les leviers de commutation doivent être gardés propres et exempts de corps étrangers. Ne tentez pas de nettoyer en insérant des objets pointus à travers l'ouverture.

#### Rangement & maintenance des accessoires

Rangez les accessoires dans un endroit frais et sec, et évitez le gel. Avant de vous en servir, inspectez les accessoires pour vous assurer qu'ils ne sont pas fissurés ou fracturés ; ne les utilisez pas si vous suspectez qu'ils sont endommagés.

## Accessoires

### **⚠ AVERTISSEMENT**

**N'utilisez pas d'attachements/d'accessoires autres que ceux qui sont spécifiés par Bosch.** L'utilisation d'attachements/d'accessoires non spécifiés pour une utilisation avec l'outil décrit dans ce mode d'emploi peut entraîner des dommages à l'outil, des dommages matériels ou des blessures.

Équipement Standard	Accessoires en Option
<ul style="list-style-type: none"><li>- Plateau de support et plaque de base pour 1/3 de feuille, 3,2 po x 5,1 po</li><li>- Plateau de support et plaque de base pour 1/4 de feuille, 3,9 po x 4,9 po</li><li>- Plateau de support et plaque de base pour feuille de finition, 3,9 po x 5,9 po</li><li>- Ensemble de sac à poussière</li><li>- Papier abrasif</li><li>- Perforateur</li></ul>	<ul style="list-style-type: none"><li>- Autres types de feuilles abrasives</li><li>- Tuyaux flexibles d'aspiration</li><li>- Adaptateurs de tuyaux flexibles d'aspiration</li></ul>



## Símbolos de seguridad

Las definiciones que aparecen a continuación describen el nivel de gravedad de cada palabra de señal de seguridad. Por favor, lea el manual y preste atención a estos símbolos.

	Éste es el símbolo de alerta de seguridad. Se utiliza para alertarle a usted de posibles peligros de lesiones corporales. Obedezca todos los mensajes de seguridad que sigan a este símbolo para evitar posibles lesiones o muerte.
	PELIGRO indica una situación peligrosa que, si no se evita, causará la muerte o lesiones graves.
	ADVERTENCIA indica una situación peligrosa que, si no se evita, podría causar la muerte o lesiones graves.
	PRECAUCIÓN indica una situación peligrosa que, si no se evita, podría causar lesiones leves o moderadas.

## Advertencias generales de seguridad para herramientas mecánicas

**ADVERTENCIA** Lea todas las advertencias de seguridad, instrucciones, ilustraciones y especificaciones suministradas con esta herramienta eléctrica. Si no se siguen todas las instrucciones que se indican a continuación, es posible que el resultado sea descargas eléctricas, incendio y/o lesiones graves.

### GUARDE TODAS LAS ADVERTENCIAS E INSTRUCCIONES PARA REFERENCIA FUTURA

La expresión "herramienta mecánica" en las advertencias se refiere a su herramienta mecánica alimentada por la red eléctrica (herramienta alámbrica) o su herramienta mecánica alimentada por baterías (herramienta inalámbrica).

### 1. Seguridad del área de trabajo

**a. Mantenga el área de trabajo limpia y bien iluminada.**

Las áreas desordenadas u oscuras invitan a que se produzcan accidentes.

**b. No utilice herramientas mecánicas en atmósferas explosivas, como por ejemplo en presencia de líquidos, gases o polvos inflamables.** Las herramientas mecánicas generan chispas que pueden incendiar el polvo o los vapores.

**c. Mantenga alejados a los niños y a las personas que estén presentes mientras esté utilizando una herramienta mecánica.** Las distracciones pueden hacerle perder el control de la herramienta.

**b. Evite el contacto del cuerpo con las superficies conectadas o puestas a tierra, tales como tuberías, radiadores, estufas y refrigeradores.** Hay un aumento del riesgo de sacudidas eléctricas si el cuerpo del operador se conecta o pone a tierra.

**c. No exponga las herramientas mecánicas a la lluvia o a condiciones mojadas.** La entrada de agua en una herramienta mecánica aumentará el riesgo de que se produzcan sacudidas eléctricas.

**d. No maltrate el cordón de energía. No use nunca el cordón para transportar la herramienta mecánica, tirar de ella o desenchufarla. Mantenga el cordón alejado del calor, el aceite, los bordes afilados o las piezas móviles.** Los cordones dañados o enganchados aumentan el riesgo de que se produzcan sacudidas eléctricas.

### 2. Seguridad eléctrica

**a. Los enchufes de las herramientas mecánicas deben coincidir con el tomacorriente. No modifique nunca el enchufe de ningún modo. No use enchufes adaptadores con herramientas mecánicas conectadas a tierra (puestas a tierra).** Los enchufes no modificados y los tomacorrientes coincidentes reducirán el riesgo de sacudidas eléctricas.

**e. Cuando utilice una herramienta mecánica en el exterior, use un cordón de extensión adecuado para uso a la intemperie.** La utilización de un cordón adecuado para uso a la intemperie reduce el riesgo de que se produzcan sacudidas eléctricas.

**f. Si es inevitable utilizar una herramienta mecánica en un lugar húmedo, utilice una fuente de energía protegida por un interruptor de circuito accionado por corriente de pérdida a tierra (GFCI).** El uso de un GFCI reduce el riesgo de sacudidas eléctricas.





## Advertencias generales de seguridad para herramientas mecánicas

### 3. Seguridad personal

- a. **Manténgase alerta, fíjese en lo que está haciendo y use el sentido común cuando esté utilizando una herramienta mecánica. No use una herramienta mecánica cuando esté cansado o bajo la influencia de drogas, alcohol o medicamentos.** Un momento de distracción mientras esté utilizando herramientas mecánicas podría causar lesiones corporales graves.
- b. **Use equipo de protección personal. Use siempre protección de los ojos.** El equipo de protección, como por ejemplo una máscara antipolvo, calzado de seguridad antideslizante, casco o protección de oídos, utilizado para las condiciones apropiadas, reducirá las lesiones corporales.
- c. **Evite el arranque accidental. Asegúrese de que el interruptor esté en la posición de apagado antes de conectar la herramienta a la fuente de energía y / o al paquete de batería, levantar la herramienta o transportarla.** Transportar herramientas mecánicas con un dedo en el interruptor o encender herramientas mecánicas que tengan el interruptor en la posición de encendido invita a que se produzcan accidentes.
- d. **Quite todas las llaves de ajuste o de tuerca antes de encender la herramienta mecánica.** Una llave de tuerca o de ajuste que se deje colocada en una pieza giratoria de la herramienta mecánica podría causar lesiones corporales.
- e. **No intente alcanzar demasiado lejos. Mantenga un apoyo de los pies y un equilibrio apropiados en todo momento.** Esto permite controlar mejor la herramienta mecánica en situaciones inesperadas.
- f. **Vístase adecuadamente. No use ropa holgada ni alhajas holgadas. Mantenga el pelo y la ropa de las piezas móviles.** La ropa holgada, las alhajas holgadas o el pelo largo pueden quedar atrapados en las piezas móviles.
- g. **Si se proporcionan dispositivos para la conexión de instalaciones de extracción y recolección de polvo, asegúrese de que dichas instalaciones estén conectadas y se usen correctamente.** El uso de dispositivos de recolección de polvo puede reducir los peligros relacionados con el polvo.

### 4. Uso y cuidado de las herramientas mecánicas

- a. **No fuerce la herramienta mecánica. Use la herramienta mecánica correcta para la aplicación que desee realizar.** La herramienta mecánica correcta hará el trabajo mejor y con más seguridad a la capacidad nominal para la que fue diseñada.

- b. **No use la herramienta mecánica si el interruptor no la enciende y apaga.** Toda herramienta mecánica que no se pueda controlar con el interruptor es peligrosa y debe ser reparada.
- c. **Desconecte el enchufe de la fuente de alimentación y/o retire el paquete de batería de la herramienta eléctrica antes de hacer cualquier ajuste, cambiar accesorios o almacenar herramientas eléctricas.** Dichas medidas preventivas de seguridad reducen el riesgo de arrancar accidentalmente la herramienta mecánica.
- d. **Guarde las herramientas que no esté usando fuera del alcance de los niños y no deje que personas que no estén familiarizadas con la herramienta mecánica o con estas instrucciones utilicen la herramienta.** Las herramientas mecánicas son peligrosas en manos de usuarios que no hayan recibido capacitación.
- e. **Mantenga las herramientas eléctricas y sus accesorios. Compruebe si hay piezas móviles desalineadas o atoradas, si hay piezas rotas y cualquier otra situación que pueda afectar al funcionamiento de la herramienta eléctrica. Si la herramienta eléctrica está dañada, haga que sea reparada antes de utilizarla.** Muchos accidentes son causados por herramientas mecánicas mantenidas deficientemente.
- f. **Mantenga las herramientas de corte afiladas y limpias.** Es menos probable que las herramientas de corte mantenidas apropiadamente, con bordes de corte afilados, se atoren, y dichas herramientas son más fáciles de controlar.
- g. **Utilice la herramienta mecánica, los accesorios, las brocas de la herramienta, etc., de acuerdo con estas instrucciones, teniendo en cuenta las condiciones de trabajo y el trabajo que se vaya a realizar.** El uso de la herramienta mecánica para operaciones distintas a aquéllas para las que fue diseñada podría causar una situación peligrosa.

### 5. Uso y cuidado de las herramientas alimentadas por baterías

- a. **Recargue las baterías solamente con el cargador especificado por el fabricante.** Un cargador que es adecuado para un tipo de paquete de batería puede crear un riesgo de incendio cuando se utiliza con otro paquete de batería.
- b. **Utilice las herramientas mecánicas solamente con paquetes de batería designados específicamente.** El uso de cualquier otro paquete de batería puede crear un riesgo de lesiones e incendio.
- c. **Cuando el paquete de batería no se esté usando, manténgalo alejado de otros objetos metálicos, tales como sujetapapeles, monedas, llaves, clavos, tornillos u otros objetos metálicos pequeños que pueden hacer**

## Advertencias generales de seguridad para herramientas mecánicas

- una conexión de un terminal a otro. Si se cortocircuitan los terminales de la batería uno con otro, se pueden causar quemaduras o un incendio.
- d. **En condiciones abusivas, es posible que se eyecte líquido de la batería. Evite el contacto. Si se produce un contacto accidental, enjuáguese con agua. Si el líquido entra en contacto con los ojos, obtenga además ayuda médica.** El líquido que salga eyectado de la batería puede causar irritación o quemaduras.
- e. **No utilice un paquete de batería o una herramienta que hayan sido dañados o modificados.** Es posible que las baterías dañadas o modificadas exhiban un comportamiento impredecible que cause un incendio, una explosión o riesgo de lesiones.
- f. **No exponga un paquete de batería o una herramienta a un fuego o una temperatura excesiva.** Es posible que la exposición a un fuego o una temperatura superior a 265 °F cause una explosión.
- g. **Siga todas las instrucciones de carga y no cargue el paquete de batería ni la herramienta fuera del intervalo de temperatura especificado en las instrucciones.** Es posible que realizar una carga incorrectamente o a temperaturas que estén fuera del intervalo especificado dañe la batería y aumente el riesgo de incendio.

### 6. Servicio de ajustes y reparaciones

- a. **Haga que su herramienta mecánica reciba servicio de un técnico de reparaciones calificado, utilizando únicamente piezas de repuesto idénticas.** Esto asegurará que se mantenga la seguridad de la herramienta mecánica.
- b. **No haga nunca servicio de ajustes y reparaciones de paquetes de batería dañados.** El servicio de ajustes y reparaciones de los paquetes de batería deberá ser realizado únicamente por el fabricante o por proveedores de servicio autorizados.

## Normas de seguridad para lijadoras de órbita

- a. **Use abrazaderas u otro modo práctico de asegurar y soportar la pieza de trabajo en una plataforma estable.** Si se sujeta la pieza de trabajo con la mano o contra el cuerpo, se crea una situación inestable y es posible que eso cause pérdida de control.
- b. **Retire la batería antes de cambiar accesorios.** Es posible que se produzcan arranques accidentales si la batería está instalada mientras se cambia un accesorio.
- c. **Si su herramienta está equipada con una bolsa para polvo, vacíela frecuentemente y después de terminar de lijar.** Sea extremadamente cuidadoso al eliminar el polvo, ya que los materiales en forma de partículas finas pueden ser explosivos. No tire el polvo resultante del lijado a un fuego abierto. Al cabo del tiempo se puede producir una combustión espontánea como consecuencia de la mezcla de aceite o agua con las partículas de polvo.
- d. **Use siempre protección para los ojos y una máscara antipolvo para aplicaciones que generen polvo y al lijar en alto.** Las partículas resultantes del lijado pueden ser absorbidas por los ojos e inhaladas fácilmente y pueden causar complicaciones de salud.
- e. **No lije en mojado con esta lijadora.** La entrada de líquidos en la caja del motor constituye un peligro de sacudidas eléctricas.
- f. **No use papel de lija diseñado para zapatas de lijar más grandes.** El papel de lija más grande sobresaldrá de la zapata de lijar, causando atasco y rasgado del papel o retroceso. El papel extra que sobresalga de la zapata de lijar también puede causar laceraciones graves.

## Advertencias de seguridad adicionales

Un GFCI y los dispositivos de protección personal, como guantes de goma y calzado de goma de electricista, mejorarán más su seguridad personal.

**Desarrolle un programa de mantenimiento periódico de la herramienta. Cuando limpie una herramienta, tenga cuidado de no desmontar ninguna de sus partes, ya que los cables internos podrían reubicarse incorrectamente o pellizcarse, o los resortes de retorno de los protectores de seguridad podrían montarse incorrectamente.** Ciertos agentes de limpieza, tales como gasolina, tetracloruro de carbono, amoníaco, etc., podrían dañar las piezas de plástico.

**⚠️ ADVERTENCIA** Cierta polvo generado por el lijado, aserrado, amolado y taladrado mecánicos, y por otras actividades de construcción, contiene agentes químicos que se sabe que

causan **cáncer, defectos de nacimiento u otros daños sobre la reproducción.** Algunos ejemplos de estos agentes químicos son:

- Plomo de pinturas a base de plomo,
- Sílice cristalina de ladrillos y cemento y otros productos de mampostería, y
- Arsénico y cromo de madera tratada químicamente.

**Su riesgo por causa de estas exposiciones varía, dependiendo de con cuánta frecuencia realice este tipo de trabajo.**

Para reducir su exposición a estos agentes químicos: trabaje en un área bien ventilada y trabaje con equipo de seguridad aprobado, como por ejemplo máscaras antipolvo que estén diseñadas especialmente para impedir mediante filtración el paso de partículas microscópicas.

## Uso previsto

La herramienta eléctrica está diseñada para lijar en seco de superficies de madera, plástico, relleno y recubiertas.

## GUARDA ESTAS INSTRUCCIONES

## Especificaciones

Número de modelo	GSS12V-40
Tensión nominal	12 V
Capacidad sin carga	6,000-10,000/min
Temperatura permitida de la batería durante el proceso de carga	+32...+113°F (0...+45°C)
Temperatura ambiente permitida durante la utilización y el almacenamiento	-4...+122°F (-20...+50°C)
Temperatura ambiente recomendada durante el proceso de carga	+32...+95°F (0...+35°C)
Peso	1.8 lbs







### Paquetes de batería/Cargadores de baterías:

Sírvase consultar la lista de baterías/cargadores incluidas con su herramienta.

**NOTA:** Para obtener las especificaciones de la herramienta, consulte la placa del fabricante colocada en la herramienta.

## Símbolos

**IMPORTANTE:** Es posible que algunos de los símbolos siguientes se usen en su herramienta. Por favor, estúdielos y aprenda su significado. La interpretación adecuada de estos símbolos le permitirá utilizar la herramienta mejor y con más seguridad.

Símbolo	Désignación / Explicación
V	Volt (tensión)
A	Ampere (corriente)
Hz	Hertz (frecuencia, ciclos por segundo)
W	Watt (potencia)
kg	Kilogramo (peso)
min	Minuto (tiempo)
s	Segundo (tiempo)
∅	Diámetro (tamaño de las brocas taladradoras, muelas, etc)
$n_0$	Velocidad sin carga (velocidad rotacional sin carga)
n	Velocidad nominal (máxima velocidad obtenible)
.../min	Revoluciones o alternación por minuto (revoluciones, golpes, velocidad de superficie, órbitas, etc., por minuto)
0	Posición "off" (velocidad cero, par motor cero...)
1, 2, 3, ... I, II, III,	Graduaciones del selector (graduaciones de velocidad, par motor o posición. Un número más alto significa mayor velocidad)
0 	Selector infinitamente variable con apagado (la velocidad aumenta desde la graduación de 0)
	Flecha (Acción en la dirección de la flecha)
~	Corriente alterna (tipo o una característica de corriente)
==	Corriente continua (tipo o una característica de corriente)
	Corriente alterna o continua (tipo o una característica de corriente)
	Construcción de clase II (designa las herramientas de construcción con aislamiento doble)
	Terminal de toma de tierra (terminal de conexión a tierra)
	Símbolo de advertencia (Alerta al usuario sobre mensajes de advertencia)

## Símbolos

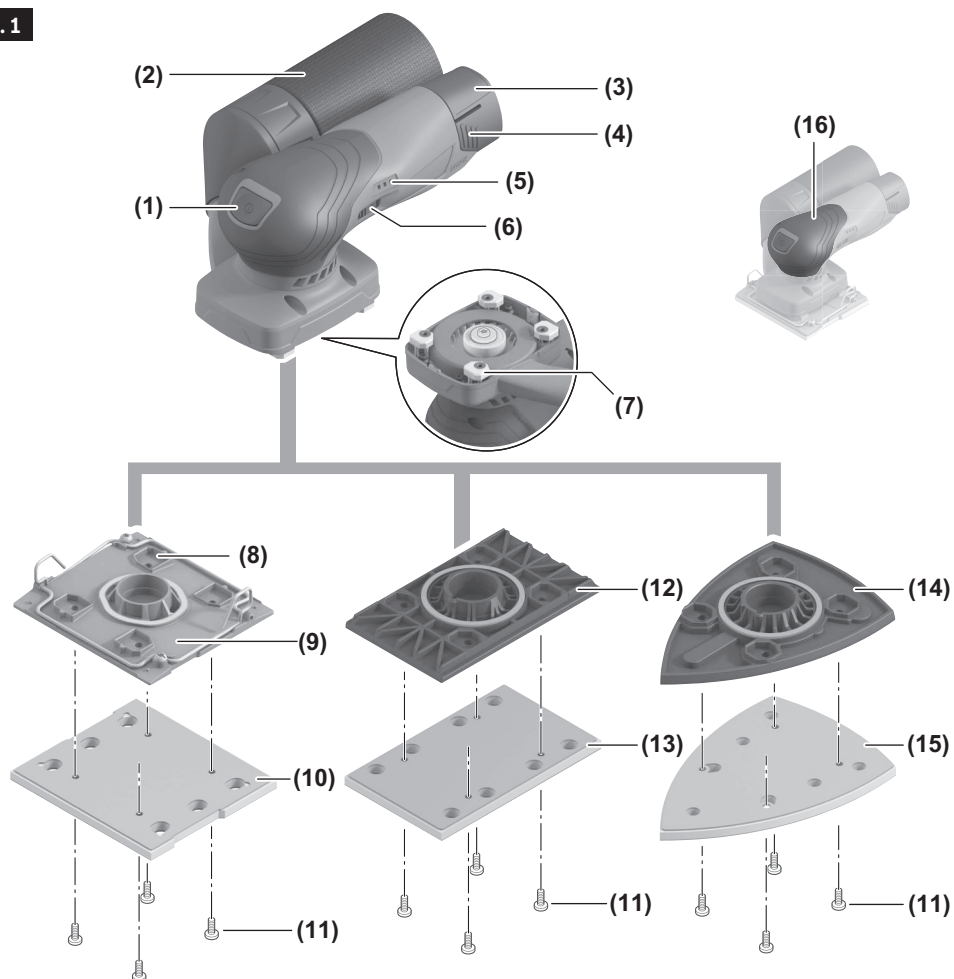
**IMPORTANTE:** Es posible que algunos de los símbolos siguientes se usen en su herramienta. Por favor, estúdielos y aprenda su significado. La interpretación adecuada de estos símbolos le permitirá utilizar la herramienta mejor y con más seguridad.

Símbolo	Désignación / Explicación
	Alerta al usuario para que lea el manual.
	Alerta al usuario para que use protección de los ojos.
	Alerta al usuario para que use protección respiratoria.
	Alerta al usuario para que use protección de la audición.
	Alerta al usuario para que use protección de los ojos, respiratoria y de la audición.
	Este símbolo indica que Underwriters Laboratories ha catalogado esta herramienta indicando que cumple con las normas estadounidenses y canadienses.
	Este símbolo indica que esta herramienta está catalogada por la Canadian Standards Association.
	Este símbolo indica que la Canadian Standards Association ha catalogado esta herramienta indicando que cumple con las normas estadounidenses y canadienses.
	Este símbolo indica que Intertek Testing Services ha catalogado esta herramienta indicando que cumple con las normas estadounidenses y canadienses.
	Designa el programa de reciclaje de baterías de Li-ion.

## Familiarización con su producto

### Lijadora de órbita

Fig. 1



1 Interruptor del botón de encendido y apagado

2 Ensamblaje de la bolsa colectora de polvo

3 Paquete de batería

4 Lengüetas de liberación del paquete de batería

5 Indicador de carga de la batería

6 Dial de velocidad variable

7 Pies pivotantes

8 Entrante de montaje de la base

9 Placa-base para hojas de un cuarto (1/4)

10 Almohadilla de soporte para hojas de un cuarto (1/4)

11 Tornillos de la placa-base (x4)

12 Placa-base para hojas rectangulares (1/3)

13 Almohadilla de soporte para hojas rectangulares (1/3)

14 Placa-base para hojas de lijado de detalles

15 Almohadilla de soporte para hojas de lijado de detalles

16 Superficie de agarre (con aislamiento)

## Ensamblaje

**⚠ ADVERTENCIA** Desconecte el paquete de batería de la herramienta antes de realizar cualquier ensamblaje, ajuste o cambio de accesorios. Dichas medidas preventivas de seguridad reducen el riesgo de arrancar la herramienta accidentalmente.

### Instalación de la almohadilla de refuerzo/ placa-base

(Fig. 1)

Esta lijadora orbital está equipada con tres configuraciones diferentes de placa-base y almohadilla de soporte, que en general se utilizan de la siguiente manera:

**Placa-base y almohadilla de soporte para hojas de 1/4:** Configuración de placa y almohadilla de uso general utilizada para acabar detalles.

**Placa-base y almohadilla de soporte para hojas de 1/3:** Configuración de placa y almohadilla de uso general para áreas más difíciles de alcanzar, donde una placa-base y una almohadilla de soporte para hojas de 1/4 no cabrán.

**Placa-base y almohadilla de soporte para hojas de lijado de detalles:** Diseñadas para esquinas y hendiduras difíciles de alcanzar, donde una placa-base y una almohadilla de soporte para hojas de 1/4 u hojas de 1/3 no cabrán.

### Cambio de la placa-base y la almohadilla de soporte de la lijadora orbital

Para cambiar la almohadilla de soporte, desenrosque completamente los cuatro tornillos de la placa-base **11** y retire la almohadilla de soporte (Fig. 1).

Jale la placa-base alejándola de los cuatro pies pivotantes **7** y coloque la placa-base de repuesto sobre los cuatro pies pivotantes. Empuje los pies pivotantes **7** hacia el interior de los cuatro entrantes de montaje de la base **8**. Alinee la almohadilla de soporte con la placa-base y fije tanto la placa-base como la almohadilla de soporte en la posición correcta con los tornillos de la placa-base **11**.

## Ensamblaje

### Instalación de accesorios

(Fig. 2, 3, 4, 5)

Elimine la suciedad y el polvo de la placa de lijar, p. ej., con un cepillo, antes de instalar una hoja de lijar nueva.

#### Para hojas de 1/3 y de lijado de detalles con un soporte de enganche y cierre

Si la placa de lijar está equipada con una sujeción de enganche y cierre, las hojas de lijar con un soporte de fijación de enganche y cierre se pueden fijar de manera rápida y fácil.

Golpee suavemente la sujeción de enganche y cierre de la placa de lijar antes de instalar la hoja de lijar **17**, para facilitar una adhesión máxima. Posicione la hoja de lijar **17** de manera que esté al ras con un lado de la placa de lijar y luego coloque la hoja de lijar sobre la placa de lijar y presiónela firmemente. Para retirar la hoja de lijar **17**, agárrela por una esquina y júela alejándola de la placa de lijar.

#### Para una hoja de 1/4 con soporte de enganche y cierre

Desbloquee ambas palancas de sujeción de la hoja de lijar **19** y bascúelas hacia abajo (Fig. 2).

Inserte la hoja de lijar **17** debajo del soporte de sujeción trasero **20**. Asegúrese de que la hoja de lijar **17** no sea demasiado corta para fijarla correctamente debajo de las abrazaderas para la hoja de lijar **19** y el soporte de sujeción trasero **20**. Bascule la palanca de sujeción de la hoja de lijar **19** de vuelta a la posición inicial, bloquéela ahí y repita el procedimiento para la otra palanca de sujeción de la hoja de lijar (Fig. 3).

Fig. 2

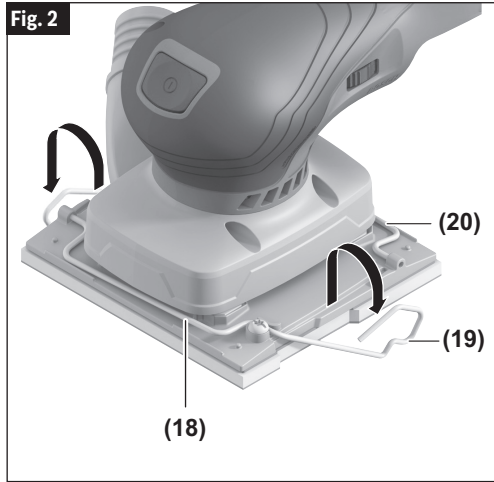
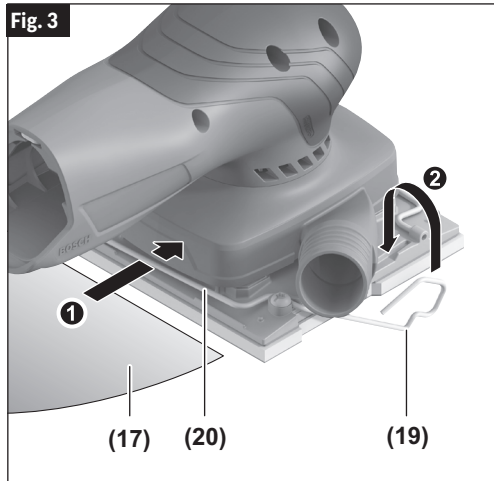


Fig. 3





## Ensamblaje

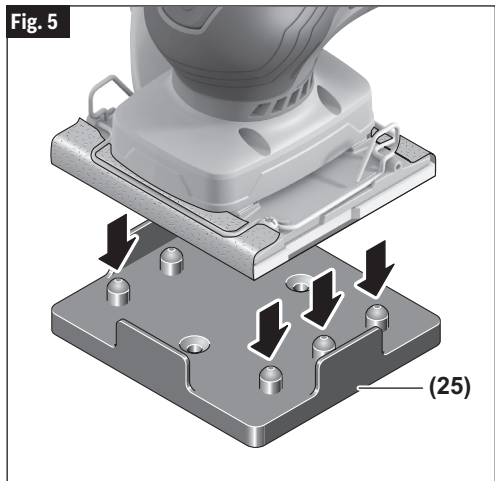
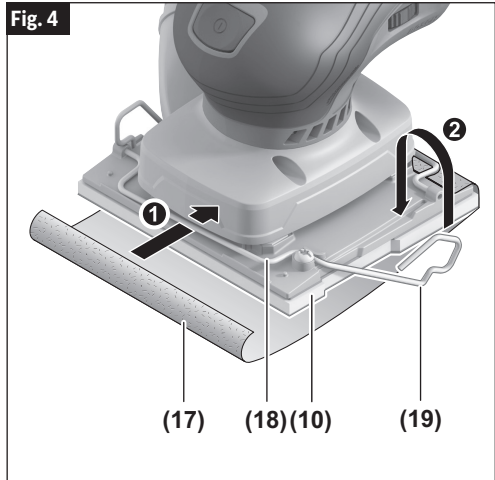
Coloque la hoja de lijar **17** de manera que esté tensa alrededor de la almohadilla de soporte para hojas de  $\frac{1}{4}$  **10**. Fije la parte delantera de la hoja de lijar **17** debajo del soporte de sujeción delantero **18**. Asegúrese de que la hoja de lijar **17** no sea demasiado corta y que esté sujeta correctamente. Bascule la palanca de sujeción de la hoja de lijar **19** de vuelta a la posición inicial, bloquéela ahí y repita el procedimiento para la otra palanca de sujeción de la hoja de lijar (Fig. 4).

Para retirar la hoja de lijar **17**, desbloquee ambas palancas de sujeción de la hoja de lijar **19** y jale la hoja de lijar hacia fuera de su soporte.

### Placa perforadora

Después de que la hoja de lijar **17** se haya instalado, será necesario perforar agujeros en la hoja utilizando la placa perforadora **25** suministrada con la lijadora. Alinee la almohadilla de soporte de la lijadora con la placa perforadora **25** y empuje hacia abajo sobre la lijadora hasta que la placa perforadora perfora la hoja. Luego, retire la placa perforadora **25** de la lijadora (Fig. 5).

Para garantizar una extracción de polvo óptima, preste atención a que los agujeros perforados en la hoja de lijar **17** coincidan con los agujeros ubicados en la almohadilla de soporte.



## Recolección de polvo

### Ensamblaje de la bolsa colectora de polvo

(Fig. 6, 7)

**⚠ ADVERTENCIA** La herramienta está equipada con un bolsa de polvo. Vacíelo frecuentemente, después de completar la operación de lijado y antes de almacenar la lijadora. Tenga sumo cuidado al deshacerse del polvo, ya que los materiales en forma de partículas finas pueden ser explosivos. No tire el polvo generado por el lijado a llamas al descubierto. Se puede producir combustión de la mezcla de barnices, lacas, poliuretano, aceite o agua con partículas de polvo si hay una descarga de electricidad estática, si se introduce una chispa en la caja o si hay calor excesivo.

El sistema de extracción de polvo integral recolecta el polvo generado por el lijado en el bolsa para polvo 22 provisto con la lijadora. Para lograr la máxima eficacia, el bolsa para polvo 22 para polvo se debe vaciar frecuentemente durante la operación.

### Desinstalación e instalación del ensamblaje de la bolsa colectora de polvo

**Para desinstalar el ensamblaje de la bolsa colectora de polvo 2:** Gire la bolsa colectora de polvo 22 hacia la izquierda o hacia la derecha y simplemente jálela alejándola de la herramienta.

**Para instalar el ensamblaje de la bolsa colectora de polvo 2:** Alinee el puerto de extracción de polvo 21 con el agujero ubicado en el ensamblaje de la bolsa colectora de polvo 2 y empuje sobre la herramienta hasta que quede fija en la posición correcta (Fig. 6).

### Limpieza y vaciado del ensamblaje de la bolsa colectora de polvo

Antes de vaciar la bolsa para polvo 22, se recomienda aflojar el polvo de la bolsa 22 golpeándola suavemente contra una superficie sólida.

**Para vaciar la bolsa 22,** agárrela y mantenga un agarre firme. Desenrosque la bolsa del adaptador de plástico y jale hasta separarla de dicho adaptador 23 (Fig. 6). Luego, sacuda la bolsa para vaciarla sobre un recipiente para residuos adecuado (Fig. 7). Haga salir el exceso de polvo del bolsa para polvo 22 dando golpecitos o quite el polvo con los dedos o con un cepillo suave. Es posible que observe que no todo el polvo sale del bolsa para polvo 22. Este no afectará el rendimiento de lijado, pero reducirá la eficacia de la recolección de polvo.

**NOTA:** No lave el bolsa para polvo 22 con agua y jabón. El polvo se podría incrustar más firmemente en los poros, lo cual reducirá la recolección de polvo y dañará el microfiltro.

Fig. 6

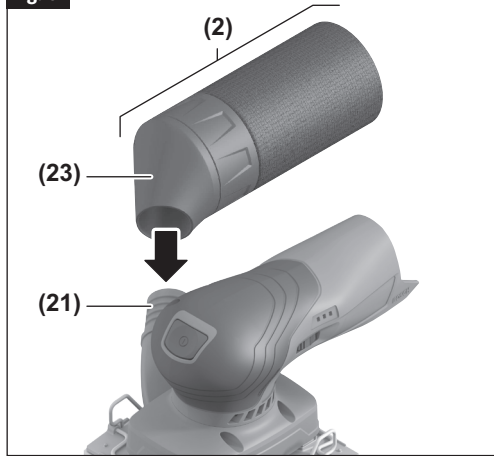


Fig. 7



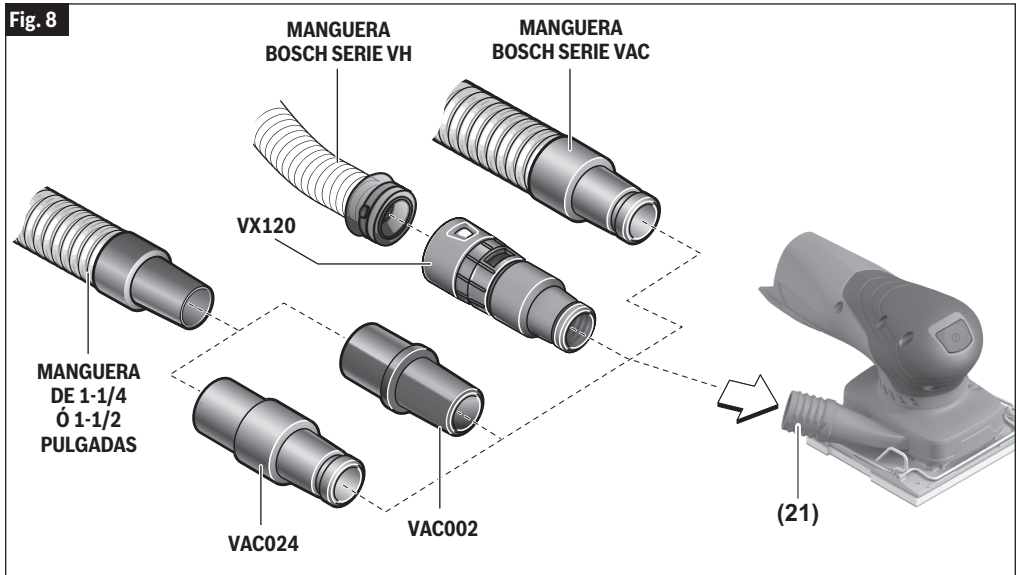
## Recolección de polvo

### Conexión de una aspiradora

(Fig. 8)

La recolección de polvo también se puede lograr conectando la herramienta a una aspiradora / un extractor de polvo, una manguera y un adaptador, si es necesario (todos vendidos por separado).

1. Conecte la manguera a la aspiradora / al extractor de polvo.
2. Conecte la manguera al orificio para polvo **21** de la herramienta de una de las siguientes maneras (Fig. 8):
  - Mangueras Bosch serie VH: Se requiere el adaptador de manguera VX120 (incluido con las mangueras serie VH).
  - Otras mangueras de 35 y 22 mm, tales como las mangueras Bosch serie VAC: Conecte la manguera directamente a la herramienta.
  - Mangueras comunes de 1-1/4 o 1-1/2 pulgadas: Se requiere el adaptador Bosch VAC002 o VAC024.



## Instrucciones de funcionamiento

### Boton de encendido / apagado

Para "ENCENDER" la herramienta: presione el botón de encendido y apagado **1**.

Para "APAGAR" la herramienta: presione el botón de encendido y apagado **1**.

Consulte COMIENZO DEL LIJADO en la página 45.

### Dial de velocidad variable

Esta lijadora está equipada también con un dial de velocidad variable **6** (Fig. 1). La velocidad de la lijadora se puede preajustar desde cero hasta la velocidad máxima indicada en la placa de especificaciones rotando el dial de velocidad variable **6** ubicado en la carcasa. El dial de velocidad variable **6** se puede ajustar en o entre cualquiera de las seis posiciones (1=baja hasta 6=alta).

The following table may be used as a general guide for abrasive and backing pad selection, but the best results will be obtained by sanding a test sample of the workpiece first.

Gama de aplicaciones	Aplicación	Tamaño del grano	Ajuste de velocidad
<b>Placa base y almohadilla de soporte para hojas de 1/3</b>	Lijado de superficies y espacios de esquinas	Lijado basto	4-6
	Lijado en ventanas y puertas	Lijado fino	1-3
<b>Placa base y almohadilla de soporte para hojas de 1/4</b>	Lijado de pintura y barniz	Lijado basto	4-6
	Lijado de madera	Lijado fino	1-3
<b>Placa-base y almohadilla de soporte para hojas de lijado de detalles</b>	Lijado de bordes de madera maciza y bordes de enchapado	Lijado basto	4-6
	Lijado de tablillas	Lijado fino	1-3
<b>Placa-base y almohadilla de soporte para hojas de lijado de detalles</b>	Remoción de material de superficies con ángulos, esquinas y bordes	Lijado basto	4-6
	Lijado de pintura y barniz	Lijado fino	1-3
<b>Placa-base y almohadilla de soporte para hojas de lijado de detalles</b>	Lijado de madera	Lijado basto	4-6
		Lijado fino	1-3

## Instrucciones de funcionamiento

### Utilización de la lijadora orbital

La lijadora se diseñó para lijar en áreas pequeñas o confinadas. Su tamaño pequeño y su peso liviano la hacen ideal para trabajo en alto.

Usted puede agarrar la herramienta por la superficie de agarre **16** tanto con la batería detrás de la mano como delante de la mano.

### Selección de las hojas de lijar

Las hojas de lijar de óxido de aluminio de capa abierta se recomiendan para la mayoría de las aplicaciones de lijado de madera o metal, ya que este material sintético corta rápidamente y resiste bien el desgaste. Algunas aplicaciones, tales como plásticos, vidrio o piedra, requieren hojas de carburo de silicio, las cuales pueden tener un borde de corte muy afilado. Para obtener resultados óptimos, utilice accesorios de lijar y pulir Bosch, que son de calidad superior y se seleccionan cuidadosamente para producir resultados de calidad profesional con la lijadora.

### Comienzo del lijado

Con la pieza de trabajo firmemente sujeta, coloque primero la almohadilla de la lijadora sobre la superficie de trabajo y luego encienda la herramienta.

NO ponga en marcha la herramienta y deje que alcance su velocidad máxima antes de aplicarla a la pieza de trabajo

NO aplique una presión excesiva cuando encienda la herramienta (ni en ningún otro momento)

Es probable que cualquiera de los dos métodos genere marcas de remolino.

La aplicación de una presión excesiva al poner en marcha la herramienta también acortará la vida útil del interruptor.

### Acción de lijado

En general, las velocidades más altas darán los mejores resultados. Si se desea una remoción más rápida, NO EJERZA PRESIÓN SOBRE LA HERRAMIENTA; utilice un grado más grueso de abrasivo. Mueva la lijadora en pasadas de barrido largas, paralelas a la veta, utilizando un ligero movimiento lateral para superponer las pasadas hasta en un 75%. La acción de órbita al azar permite el lijado en dirección transversal a la veta, pero tenga cuidado de no inclinar la lijadora cerca de los bordes o se puede producir un redondeo no deseado.

### Secuencia de lijado

Si la superficie es áspera, comience con granos más gruesos y luego termine el alisamiento con abrasivos medianos y finos. Como la acción de órbita al azar es tan eficaz, a menudo es posible comenzar a lijar con un disco de grano mediano y pasar directamente al acabado fino. Para evitar resultados desiguales, no se salte más de un tamaño de grano cuando pase de más grueso a más fino, y no lije en un área demasiado tiempo.

### Remoción de la lijadora

Cuando se haya acabado el trabajo, suelte el interruptor y al mismo tiempo levante suavemente la herramienta de la superficie de trabajo. La utilización de esta manera también prolongará la vida útil del interruptor.



## Mantenimiento

**⚠ ADVERTENCIA** Para evitar accidentes, desconecte siempre la herramienta y/o el cargador de la fuente de energía antes de la limpieza.

### Servicio

**⚠ ADVERTENCIA** NO HAY PIEZAS EN EL INTERIOR QUE PUEDAN SER AJUSTADAS O REPARADAS POR EL USUARIO. El mantenimiento preventivo realizado por personal no autorizado puede dar lugar a la colocación incorrecta de cables y componentes internos que podría constituir un peligro serio. Recomendamos que todo el servicio de las herramientas sea realizado en un Centro de servicio de fábrica Bosch o en una Estación de servicio Bosch autorizada.

### Baterías

**Esté alerta a los paquetes de baterías que estén aproximándose al final de su vida útil.** Si observa una disminución del rendimiento de la herramienta o un tiempo de funcionamiento significativamente más corto entre cargas, entonces ha llegado el momento de cambiar el paquete de baterías. Si no se hace esto, el resultado puede ser que la herramienta funcione incorrectamente o que el cargador se dañe.

### Lubricación de las herramientas

Su herramienta Bosch ha sido lubricada adecuadamente y está lista para la utilización.

### Motores

El motor de la herramienta ha sido diseñado para muchas horas de servicio fiable. Para mantener un rendimiento óptimo del motor, recomendamos que éste sea examinado cada seis meses. Sólo se debe usar un motor de repuesto Bosch genuino diseñado especialmente para la herramienta.

### Limpieza

**⚠ PRECAUCIÓN** Ciertos agentes de limpieza y disolventes dañan las piezas de plástico. Algunos de estos son: gasolina, tetracloruro de carbono, disolventes de limpieza clorados, amoníaco y detergentes domésticos que contienen amoníaco.

Las aberturas de ventilación y las palancas de interruptor deben mantenerse limpias y libres de materias extrañas. No intente limpiar introduciendo objetos puntiagudos a través de las aberturas.

### Almacenamiento y mantenimiento de los accesorios

Almacene los accesorios en un lugar fresco y seco y evite que se congelen. Antes de usarlos, compruebe si hay grietas y fracturas y no los use si se sospecha que están dañados.

## Accesorios

**⚠ ADVERTENCIA** No utilice aditamentos/accesorios que no sean los especificados por Bosch. Es posible que el uso de aditamentos/accesorios no especificados para utilizarse con la herramienta descrita en este manual cause daños a la herramienta, daños materiales y/o lesiones corporales.

Equipo estándar	Accesorios opcionales
<ul style="list-style-type: none"> <li>- Placa-base y almohadilla de soporte para hojas de 1/3, 3,2 x 5,1 pulgadas</li> <li>- Placa-base y almohadilla de soporte para hojas de 1/4, 3,9 x 4,9 pulgadas</li> <li>- Placa-base y almohadilla de soporte para hojas de lijado de detalles, 3,9 x 5,9 pulgadas</li> <li>- Ensamblaje de la bolsa colectora de polvo</li> <li>- Papel de lija</li> <li>- Perforadora de agujeros</li> </ul>	<ul style="list-style-type: none"> <li>- Tipos adicionales de hojas de lijarse</li> <li>- Mangueras de aspiración</li> <li>- Adaptadores de manguera de aspiración</li> </ul>



## Notes / Remarques / Notas

This page was intentionally left blank  
Cette page a été laissée vierge intentionnellement.  
Esta página se dejó intencionalmente en blanco



### LIMITED WARRANTY OF BOSCH PORTABLE AND BENCHTOP POWER TOOLS

Robert Bosch Tool Corporation ("Seller") warrants to the original purchaser only, that all BOSCH portable and benchtop power tools will be free from defects in material or workmanship for a period of one year from date of purchase. Seller's sole obligation and your exclusive remedy under this Limited Warranty and, to the extent permitted by law, any warranty or condition implied by law, shall be the repair or replacement of parts, without charge, which are defective in material or workmanship and which have not been misused, carelessly handled, or misrepaired by persons other than Seller or Authorized Service Station. To make a claim under this Limited Warranty, you must return the complete portable or benchtop power tool product, transportation prepaid, to any BOSCH Factory Service Center or Authorized Service Station. For Authorized BOSCH Power Tool Service Stations, please refer to your phone directory.

This Limited Warranty does not apply to accessory ITEMS SUCH AS CIRCULAR SAW BLADES, DRILL BITS, ROUTER BITS, JIGSAW BLADES, SANDING BELTS, GRINDING WHEELS AND OTHER RELATED ITEMS.

ANY IMPLIED WARRANTIES SHALL BE LIMITED IN DURATION TO ONE YEAR FROM DATE OF PURCHASE. SOME STATES IN THE U.S., SOME CANADIAN PROVINCES DO NOT ALLOW LIMITATIONS ON HOW LONG AN IMPLIED WARRANTY LASTS, SO THE ABOVE LIMITATION MAY NOT APPLY TO YOU.

IN NO EVENT SHALL SELLER BE LIABLE FOR ANY INCIDENTAL OR CONSEQUENTIAL DAMAGES (INCLUDING BUT NOT LIMITED TO LIABILITY FOR LOSS OF PROFITS) ARISING FROM THE SALE OR USE OF THIS PRODUCT. SOME STATES IN THE U.S. AND SOME CANADIAN PROVINCES DO NOT ALLOW THE EXCLUSION OR LIMITATION OF INCIDENTAL OR CONSEQUENTIAL DAMAGES, SO THE ABOVE LIMITATION OR EXCLUSION MAY NOT APPLY TO YOU.

THIS LIMITED WARRANTY GIVES YOU SPECIFIC LEGAL RIGHTS, AND YOU MAY ALSO HAVE OTHER RIGHTS WHICH VARY FROM STATE TO STATE IN THE U.S., PROVINCE TO PROVINCE IN CANADA AND FROM COUNTRY TO COUNTRY.

THIS LIMITED WARRANTY APPLIES ONLY TO PORTABLE AND BENCHTOP ELECTRIC TOOLS SOLD WITHIN THE UNITED STATES OF AMERICA, CANADA AND THE COMMONWEALTH OF PUERTO RICO. FOR WARRANTY COVERAGE WITHIN OTHER COUNTRIES, CONTACT YOUR LOCAL BOSCH DEALER OR IMPORTER.

### GARANTIE LIMITÉE DES OUTILS ÉLECTRIQUES PORTATIFS ET D'ÉTABLI BOSCH

Robert Bosch Tool Corporation (le « vendeur ») garantit à l'acheteur initial seulement que tous les outils électriques portatifs et d'établi BOSCH seront exempts de vices de matériaux ou d'exécution pendant une période d'un an depuis la date d'achat. LA SEULE OBLIGATION DU VENDEUR ET LE SEUL RECOURS DE L'ACHETEUR sous la présente garantie limitée, et en autant que la loi le permette sous toute garantie ou condition implicite qui en découlerait, sera l'obligation de remplacer ou réparer gratuitement les pièces défectueuses matériellement ou comme fabrication, pourvu que lesdites défectuosités ne soient pas attribuables à un usage abusif ou à quelque réparation bricolée par quelqu'un d'autre que le vendeur ou le personnel d'une station-service agréée. Pour présenter une réclamation en vertu de cette garantie limitée, vous devez renvoyer l'outil électrique portatif ou d'établi complet, port payé, à tout centre de service agréé ou centre de service usine. Veuillez consulter votre annuaire téléphonique pour les adresses.

LA PRÉSENTE GARANTIE NE S'APPLIQUE PAS AUX ACCESSOIRES TELS QUE LAMES DE SCIES CIRCULAIRES, MÊCHES DE PERCEUSES, FERS DE TOUPIES, LAMES DE SCIES SAUTEUSES, COURROIES DE PONÇAGE, MEULES ET AUTRES ARTICLES DU GENRE.

TOUTE GARANTIE IMPLICITE SERA LIMITÉE COMME DURÉE À UN AN À COMPTER DE LA DATE D'ACHAT. CERTAINS ÉTATS AMÉRICAINS, CERTAINES PROVINCES CANADIENNES N'ADMETTANT PAS LE PRINCIPE DE LA LIMITATION DE LA DURÉE DES GARANTIES IMPLICITES, IL EST POSSIBLE QUE LES LIMITATIONS CI-DESSUS NE S'APPLIQUENT PAS À VOTRE CAS.

EN AUCUN CAS LE VENDEUR NE SAURAIT ÊTRE TENU POUR RESPONSABLE DES INCIDENTS OU DOMMAGES INDIRECTS (INCLUANT, MAIS NE SE LIMITANT PAS AUX PERTES DE PROFITS) CONSÉCUTIFS À LA VENTE OU L'USAGE DE CE PRODUIT. CERTAINS ÉTATS AMÉRICAINS ET CERTAINES PROVINCES CANADIENNES N'ADMETTANT PAS LE PRINCIPE DE LA LIMITATION NI L'EXCLUSION DES DOMMAGES INDIRECTS ET CONSÉQUENTIELS, IL EST POSSIBLE QUE LES LIMITATIONS OU EXCLUSIONS CI-DESSUS NE S'APPLIQUENT PAS À VOTRE CAS.

LA PRÉSENTE GARANTIE VOUS ACCORDE DES DROITS BIEN DÉTERMINÉS, Y COMPRIS POSSIBLEMENT CERTAINS DROITS VARIABLES DANS LES DIFFÉRENTS ÉTATS AMÉRICAINS, PROVINCES CANADIENNE ET DE PAYS À PAYS.

CETTE GARANTIE LIMITÉE NE S'APPLIQUE QU'ÀUX OUTILS ÉLECTRIQUES PORTATIFS ET D'ÉTABLI VENDUS AUX ÉTATS-UNIS D'AMÉRIQUE, AU CANADA ET AU COMMONWEALTH OF PORTO RICO. POUR COUVERTURE DE GARANTIE DANS LES AUTRES PAYS, CONTACTEZ VOTRE IMPORTATEUR OU REVENDEUR BOSCH LOCAL.

### GARANTIA LIMITADA PARA HERRAMIENTAS MECANICAS PORTATILES Y PARA TABLERO DE BANCO BOSCH

Robert Bosch Tool Corporation ("el Vendedor") garantiza, únicamente al comprador original, que todas las herramientas mecánicas portátiles y para tablero de banco BOSCH estarán libres de defectos de material o de fabricación durante un período de un año a partir de la fecha de compra. LA ÚNICA OBLIGACION DEL VENDEDOR Y EL RECURSO EXCLUSIVO QUE USTED TIENE bajo esta Garantía Limitada y, hasta donde la ley lo permita, bajo cualquier garantía o condición implícita por ley, consistirá en la reparación o sustitución sin costo de las piezas que presenten defectos de material o de fabricación y que no hayan sido utilizadas incorrectamente, manejadas descuidadamente o reparadas incorrectamente por personas que no sean el Vendedor o una Estación de servicio autorizada. Para efectuar una reclamación bajo esta Garantía Limitada, usted debe devolver el producto, que consiste en la herramienta mecánica portátil o para tablero de banco completa, con el transporte pagado, a cualquier Centro de servicio de fábrica o Estación de servicio autorizada. Para Estaciones de servicio autorizadas de herramientas mecánicas BOSCH, por favor, consulte el directorio telefónico.

ESTA GARANTIA LIMITADA NO SE APLICA A ARTICULOS ACCESORIOS TALES COMO HOJAS PARA SIERRAS CIRCULARES, BROCAS PARA TALADROS, BROCAS PARA FRESADORAS, HOJAS PARA SIERRAS DE VAIVEN, CORREAS PARA LIJAR, RUEDAS DE AMOLAR Y OTROS ARTICULOS RELACIONADOS.

TODAS LAS GARANTIAS IMPLICITAS TENDRAN UNA DURACION LIMITADA A UN AÑO A PARTIR DE LA FECHA DE COMPRA. ALGUNOS ESTADOS DE LOS EE.UU. Y ALGUNAS PROVINCIAS CANADIENSES NO PERMITEN LIMITACIONES EN CUANTO A LA DURACION DE UNA GARANTIA IMPLICITA, POR LO QUE ES POSIBLE QUE LA LIMITACION ANTERIOR NO SEA APLICABLE EN EL CASO DE USTED.

EL VENDEDOR NO SERA RESPONSABLE EN NINGUN CASO DE NINGUN DAÑO INCIDENTAL O EMERGENTE (INCLUYENDO PERO NO LIMITADO A RESPONSABILIDAD POR PERDIDA DE BENEFICIOS) QUE SE PRODUZCA COMO CONSECUENCIA DE LA VENTA O UTILIZACION DE ESTE PRODUCTO. ALGUNOS ESTADOS DE LOS EE.UU. Y ALGUNAS PROVINCIAS CANADIENSES NO PERMITEN LA EXCLUSION O LIMITACION DE LOS DAÑOS INCIDENTALES O EMERGENTES, POR LO QUE ES POSIBLE QUE LA LIMITACION O EXCLUSION ANTERIOR NO SEA APLICABLE EN EL CASO DE USTED.

ESTA GARANTIA LIMITADA LE CONFIERE A USTED DERECHOS LEGALES ESPECIFICOS Y ES POSIBLE QUE USTED TAMBIEN TENGA OTROS DERECHOS QUE VARIAN DE ESTADO A ESTADO EN LOS EE.UU., DE PROVINCIA A PROVINCIA EN CANADA Y DE UN PAIS A OTRO.

ESTA GARANTIA LIMITADA SE APLICA SOLAMENTE A HERRAMIENTAS ELECTRICAS PORTATILES Y PARA TABLERO DE BANCO VENDIDAS EN LOS ESTADOS UNIDOS DE AMERICA, CANADA Y EL ESTADO LIBRE ASOCIADO DE PUERTO RICO. PARA COBERTURA DE GARANTIA EN OTROS PAISES, PONGASE EN CONTACTO CON SU DISTRIBUIDOR O IMPORTADOR LOCAL DE BOSCH.

© Robert Bosch Tool Corporation 1800 W. Central Road Mt. Prospect, IL 60056-2230

Exportado por: Robert Bosch Tool Corporation Mt. Prospect, IL 60056-2230, E.U.A.

Importado en México por: Robert Bosch, S.A. de C.V., Calle Robert Bosch No. 405, Zona Industrial, Toluca, Edo. de México, C.P. 50070, Tel. (722) 2792300



1 6 0 9 9 2 A 7 2 B

160992A72B 09/2022

