

**IMPORTANT**  
Read Before Using

**IMPORTANT**  
Lire avant usage

**IMPORTANTE**  
Leer antes de usar



**Operating / Safety Instructions**  
**Consignes d'utilisation/de sécurité**  
**Instrucciones de funcionamiento y seguridad**

**GDS18V-740C**  
**GDS18V-770C**



**BOSCH**

Call Toll Free for Consumer Information and Service Locations

Pour obtenir des informations et les adresses de nos centres de service après-vente, appelez ce numéro gratuit

Llame gratis para obtener información para el consumidor y ubicaciones de servicio

**1-877-BOSCH99 (1-877-267-2499) [www.boschtools.com](http://www.boschtools.com)**





For English Version  
See page 2

Version française  
Voir page 20

Versión en español  
Ver la página 38

## Safety Symbols

The definitions below describe the level of severity for each signal word.  
Please read the manual and pay attention to these symbols.

	This is the safety alert symbol. It is used to alert you to potential personal injury hazards. Obey all safety messages that follow this symbol to avoid possible injury or death.
	DANGER indicates a hazardous situation which, if not avoided, will result in death or serious injury.
	WARNING indicates a hazardous situation which, if not avoided, could result in death or serious injury.
	CAUTION indicates a hazardous situation which, if not avoided, could result in minor or moderate injury.

## General Power Tool Safety Warnings

 **Read all safety warnings, instructions, illustrations and specifications provided with this power tool.** Failure to follow all instructions listed below may result in electric shock, fire and/or serious injury.

### SAVE ALL WARNINGS AND INSTRUCTIONS FOR FUTURE REFERENCE

The term "power tool" in the warnings refers to your mains-operated (corded) power tool or battery-operated (cordless) power tool.

#### 1. Work area safety

- Keep work area clean and well lit.** Cluttered or dark areas invite accidents.
- Do not operate power tools in explosive atmospheres, such as in the presence of flammable liquids, gases or dust.** Power tools create sparks which may ignite the dust or fumes.
- Keep children and bystanders away while operating a power tool.** Distractions can cause you to lose control.

#### 2. Electrical safety

- Power tool plugs must match the outlet. Never modify the plug in any way. Do not use any adapter plugs with earthed (grounded) power tools.** Unmodified plugs and matching outlets will reduce risk of electric shock.
- Avoid body contact with earthed or grounded surfaces, such as pipes, radiators, ranges and refrigerators.** There is an increased risk of electric shock if your body is earthed or grounded.
- Do not expose power tools to rain or wet conditions.** Water entering a power tool will increase the risk of electric shock.

- Do not abuse the cord. Never use the cord for carrying, pulling or unplugging the power tool. Keep cord away from heat, oil, sharp edges or moving parts.** Damaged or entangled cords increase the risk of electric shock.
- When operating a power tool outdoors, use an extension cord suitable for outdoor use.** Use of a cord suitable for outdoor use reduces the risk of electric shock.
- If operating a power tool in a damp location is unavoidable, use a Ground Fault Circuit Interrupter (GFCI) protected supply.** Use of an GFCI reduces the risk of electric shock.

#### 3. Personal safety

- Stay alert, watch what you are doing and use common sense when operating a power tool. Do not use a power tool while you are tired or under the influence of drugs, alcohol or medication.** A moment of inattention while operating power tools may result in serious personal injury.
- Use personal protective equipment. Always wear eye protection.** Protective equipment such as a dust mask, non-skid safety shoes, hard hat, or hearing protection used for appropriate conditions will reduce personal injuries.

## General Power Tool Safety Warnings

- c. **Prevent unintentional starting. Ensure the switch is in the off-position before connecting to power source and / or battery pack, picking up or carrying the tool.** Carrying power tools with your finger on the switch or energizing power tools that have the switch on invites accidents.
- d. **Remove any adjusting key or wrench before turning the power tool on.** A wrench or a key left attached to a rotating part of the power tool may result in personal injury.
- e. **Do not overreach. Keep proper footing and balance at all times.** This enables better control of the power tool in unexpected situations.
- f. **Dress properly. Do not wear loose clothing or jewelry. Keep your hair and clothing away from moving parts.** Loose clothes, jewelry or long hair can be caught in moving parts.
- g. **If devices are provided for the connection of dust extraction and collection facilities, ensure these are connected and properly used.** Use of dust collection can reduce dust-related hazards.
- h. **Do not let familiarity gained from frequent use of tools allow you to become complacent and ignore tool safety principles.** A careless action can cause severe injury within a fraction of a second.
- e. **Maintain power tools and accessories. Check for misalignment or binding of moving parts, breakage of parts and any other condition that may affect the power tool's operation. If damaged, have the power tool repaired before use.** Many accidents are caused by poorly maintained power tools.
- f. **Keep cutting tools sharp and clean.** Properly maintained cutting tools with sharp cutting edges are less likely to bind and are easier to control.
- g. **Use the power tool, accessories and tool bits etc. in accordance with these instructions, taking into account the working conditions and the work to be performed.** Use of the power tool for operations different from those intended could result in a hazardous situation.
- h. **Keep handles and grasping surfaces dry, clean and free from oil and grease.** Slippery handles and grasping surfaces do not allow for safe handling and control of the tool in unexpected situations.

---

### 5. Battery tool use and care

---

### 4. Power tool use and care

- a. **Do not force the power tool. Use the correct power tool for your application.** The correct power tool will do the job better and safer at the rate for which it was designed.
- b. **Do not use the power tool if the switch does not turn it on and off.** Any power tool that cannot be controlled with the switch is dangerous and must be repaired.
- c. **Disconnect the plug from the power source and/ or remove the battery pack, if detachable, from the power tool before making any adjustments, changing accessories, or storing power tools.** Such preventive safety measures reduce the risk of starting the power tool accidentally.
- d. **Store idle power tools out of the reach of children and do not allow persons unfamiliar with the power tool or these instructions to operate the power tool.** Power tools are dangerous in the hands of untrained users.
- a. **Recharge only with the charger specified by the manufacturer.** A charger that is suitable for one type of battery pack may create a risk of fire when used with another battery pack.
- b. **Use power tools only with specifically designated battery packs.** Use of any other battery packs may create a risk of injury and fire.
- c. **When battery pack is not in use, keep it away from other metal objects like paper clips, coins, keys, nails, screws, or other small metal objects that can make a connection from one terminal to another.** Shorting the battery terminals together may cause burns or a fire.
- d. **Under abusive conditions, liquid may be ejected from the battery, avoid contact. If contact accidentally occurs, flush with water. If liquid contacts eyes, additionally seek medical help.** Liquid ejected from the battery may cause irritation or burns.
- e. **Do not use a battery pack or tool that is damaged or modified.** Damaged or modified batteries may exhibit unpredictable behavior resulting in fire, explosion or risk of injury.

## General Power Tool Safety Warnings

- f. **Do not expose a battery pack or tool to fire or excessive temperature.** Exposure to fire or temperature above 265 °F may cause explosion.
- g. **Follow all charging instructions and do not charge the battery pack or tool outside the temperature range specified in the instructions.** Charging improperly or at temperatures outside the specified range may damage the battery and increase the risk of fire.

## 6. Service

- a. **Have your power tool serviced by a qualified repair person using only identical replacement parts.** This will ensure that the safety of the power tool is maintained.
- b. **Never service damaged battery packs.** Service of battery packs should only be performed by the manufacturer or authorized service providers.

## Safety Rules for Cordless Impact Wrenches

- a. **Hold the power tool by insulated gripping surfaces, when performing an operation where the fastener may contact hidden wiring.** Fasteners contacting a “live” wire may make exposed metal parts of the power tool “live” and could give the operator an electric shock.
- b. **Use clamps or another practical way to secure and support the workpiece to a stable platform.** Holding the work by hand or against your body leaves it unstable and may lead to loss of control.
- c. **Do not drive fasteners into existing walls or other blind areas where electrical wiring may exist.** If this situation is unavoidable, disconnect all fuses or circuit breakers feeding this worksite.
- d. **Use only sockets designed for power impact wrenches.** Sockets designed for hand use may break under the load this tool generates.
- e. **Be certain to seat the socket completely and securely on the output drive.**
- f. **Do not use worn or damaged sockets.**
- g. **Select the correct size sockets and keep the inside of the socket clean.**
- h. **Do not allow a loose fastener to spin freely within the socket. The fastener may be thrown out of the socket.**
- i. **Use thick cushioned gloves and limit the exposure time by taking frequent rest periods.** Vibration caused by impact driver action may be harmful to your hands and arms.
- j. **Remove battery pack before changing accessories.** Accidental starting may occur because battery appliances with a battery inserted are in the operative condition.
- k. **Be prepared for a reaction torque when “seating” or removing a fastener.** The tool housing may tend to twist in the opposite direction of accessory rotation when “seating” or removing a fastener depending on the torque setting of the tool.
- l. **Do not run the tool while carrying it at your side.** The rotating drive could become entangled with clothing and injury may result.
- m. **Place the tool onto the fastener only when the tool is switched off.** Rotating driver tools can slide off the fastener.

## Additional Safety Warnings

- a. GFCI and personal protection devices like electrician's rubber gloves and footwear will further enhance your personal safety.
- b. **Develop a periodic maintenance schedule for your tool. When cleaning a tool be careful not to disassemble any portion of the tool since internal wires may be misplaced or pinched or safety guard return springs may be improperly mounted.** Certain cleaning agents such as gasoline, carbon tetrachloride, ammonia, etc. may damage plastic parts.
- c. **Ensure the switch is in the off position before inserting battery pack.** Inserting the battery pack into power tools that have the switch on invites accidents.

### **WARNING**





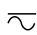


**Some dust created by power sanding, sawing, grinding, drilling, and other construction activities contains chemicals known to cause cancer, birth defects or other reproductive harm. Some examples of these chemicals are:**

- Lead from lead-based paints,
- Crystalline silica from bricks and cement and other masonry products, and
- Arsenic and chromium from chemically-treated lumber.

Your risk from these exposures varies, depending on how often you do this type of work. To reduce your exposure to these chemicals: work in a well ventilated area, and work with approved safety equipment, such as those dust masks that are specially designed to filter out microscopic particles.











## Symbols

**Important:** Some of the following symbols may be used on your tool. Please study them and learn their meaning. Proper interpretation of these symbols will allow you to operate the tool better and safer.

Symbol	Designation / Explanation
V	Volts (voltage)
Ah	Amp hour (measurement of battery capacity)
A	Amperes (current)
Hz	Hertz (frequency, cycles per second)
W	Watt (power)
kg	Kilograms (weight)
min	Minutes (time)
s	Seconds (time)
∅	Diameter (size of drill bits, grinding wheels, etc.)
$n_0$	No load speed (rotational speed at no load)
n	Rated speed (maximum attainable speed)
.../min	Revolutions or reciprocation per minute (revolutions, strokes, surface speed, orbits etc. per minute)
0	Off position (zero speed, zero torque...)
1, 2, 3, ... I, II, III,	Selector settings (speed, torque or position settings. Higher number means greater speed)
	Infinitely variable selector with off (speed is increasing from 0 setting)
	Arrow (action in the direction of arrow)
	Alternating current (type or a characteristic of current)
	Direct current (type or a characteristic of current)
	Alternating or direct current (type or a characteristic of current)
	Class II construction (designates double insulated construction tools)
	Earthing terminal (grounding terminal)

## Symbols

**Important:** Some of the following symbols may be used on your tool. Please study them and learn their meaning. Proper interpretation of these symbols will allow you to operate the tool better and safer.

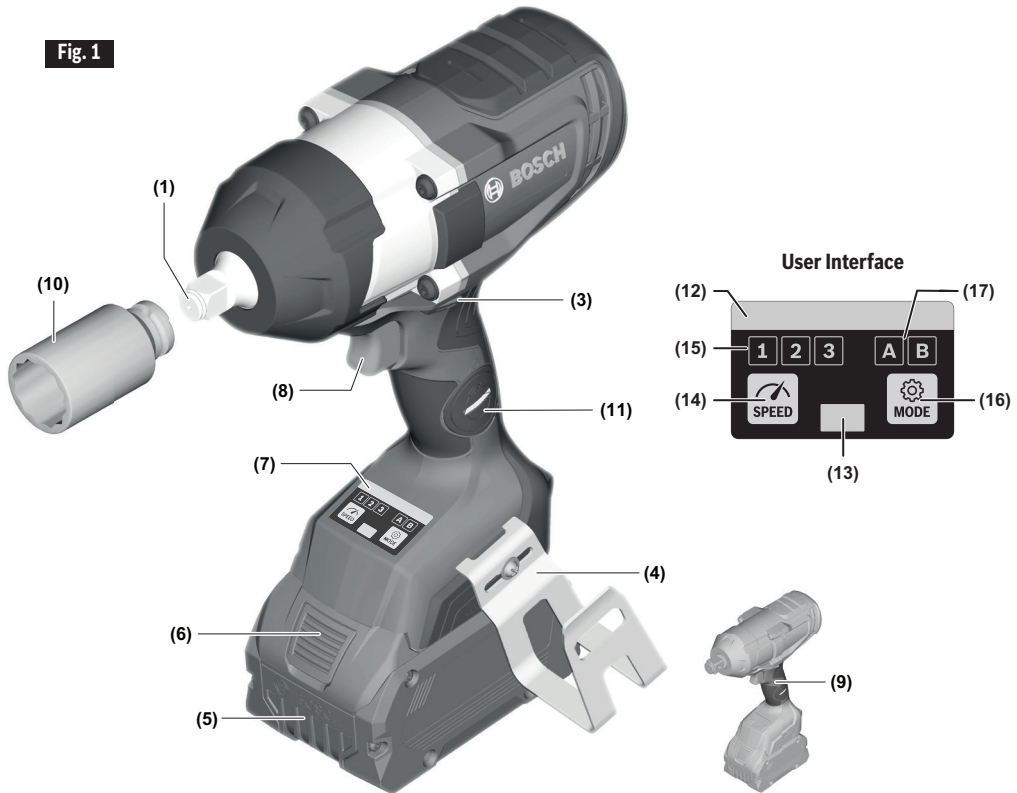
Symbol	Designation / Explanation
	Alerts user to read manual.
	Alerts user to wear eye protection.
	Alerts user to wear respiratory protection.
	Alerts user to wear hearing protection.
	Alerts user to wear eye, respiratory, and hearing protection.
	This symbol designates that this tool is listed by Underwriters Laboratories, to United States and Canadian Standards.
	This symbol designates that this tool is listed by the Canadian Standards Association.
	This symbol designates that this tool is listed by the Canadian Standards Association, to United States and Canadian Standards.
	This symbol designates that this tool is listed by the Intertek Testing Services, to United States and Canadian Standards.
	Designates Li-ion battery recycling program.

## Functional Description and Specifications

**⚠ WARNING** Disconnect battery pack from tool before making any assembly, adjustments or changing accessories. Such preventive safety measures reduce the risk of starting the tool accidentally.

### Cordless Impact Wrench GDS18V-740C

Fig. 1



- (1) Output drive
- (3) Rotational direction switch
- (4) Joist hanger
- (5) Battery\*
- (6) Battery release button\*
- (7) User Interface
- (8) Variable speed trigger switch
- (9) Handle (insulated gripping surface)
- (10) Socket\*
- (11) Connectivity module compartment

#### User Interface

- (12) Status indicator LED
- (13) Worklight
- (14) Speed preselection button
- (15) Speed preselection level indicator
- (16) Mode button
- (17) Mode selection indicator

\*Accessories shown or described are not included with the product as standard. You can find the complete selection of accessories in our accessories range.



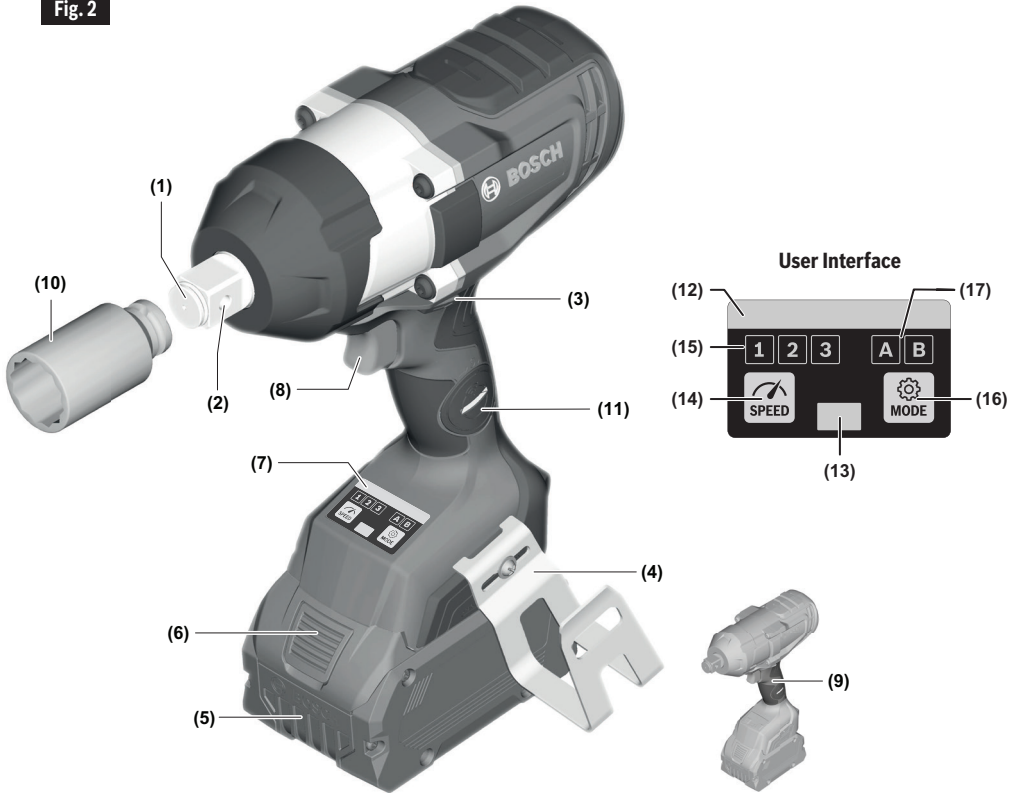
## Functional Description and Specifications



**Disconnect battery pack from tool before making any assembly, adjustments or changing accessories.** Such preventive safety measures reduce the risk of starting the tool accidentally.

### Cordless Impact Wrench GDS18V-770C

Fig. 2



- (1) Output drive
- (2) Through hole (GDS18V-770C)
- (3) Rotational direction switch
- (4) Joist hanger
- (5) Battery\*
- (6) Battery release button\*
- (7) User Interface
- (8) Variable speed trigger switch
- (9) Handle (insulated gripping surface)
- (10) Socket\*
- (11) Connectivity module compartment

#### User Interface

- (12) Status indicator LED
- (13) Worklight
- (14) Speed preselection button
- (15) Speed preselection level indicator
- (16) Mode button
- (17) Mode selection indicator

\*Accessories shown or described are not included with the product as standard. You can find the complete selection of accessories in our accessories range.

## Functional Description and Specifications

Impact Wrench	GDS18V-740C	GDS18V-770C
Rated voltage	18V	18V
No-load speed		
– Setting 1	0–800 RPM	0–800 RPM
– Setting 2	0–1300 RPM	0–1300 RPM
– Setting 3	0–1750 RPM	0–1750 RPM
Impact rate		
– Setting 1	0–1600 IPM	0–1600 IPM
– Setting 2	0–2300 IPM	0–2300 IPM
– Setting 3	0–2600 IPM	0–2600 IPM
Maximum torque		
– Setting 1	260 Ft-lbs	260 Ft-lbs
– Setting 2	480 Ft-lbs	480 Ft-lbs
– Setting 3	740 Ft-lbs	770 Ft-lbs
Breakaway torque	1180 Ft-lbs	1250 Ft-lbs
Output drive	1/2" Square drive with Friction Ring	3/4" Square drive with Friction Ring and Through Hole
Weight tool only	6.4 lbs	6.4 lbs
Permitted battery temperature during charging	+32...+113°F (0...+45C)	+32...+113°F (0...+45C)
Permitted ambient temperature during operation and storage	-4...+122°F (-20...+50C)	-4...+122°F (-20...+50C)
Recommended ambient temperature during charging	+32...+95°F (0...+35°C)	+32...+95°F (0...+35°C)
Data Transmission (GCY42 installed)		
Bluetooth®	Bluetooth® 4.1 (Low Energy) <sup>A</sup>	Bluetooth® 4.1 (Low Energy) <sup>A</sup>
Signal interval, approx.	8s	8s
Signal range	maximum 98ft <sup>B</sup>	maximum 98ft <sup>B</sup>

Optimized for AMPShare with Max performance from ≥ 8Ah

<sup>A</sup> The mobile terminal devices must be compatible with Bluetooth® Low Energy devices (version 4.1) and support the Generic Access Profile (GAP).

<sup>B</sup> The signal range may vary greatly depending on external conditions. The Bluetooth® range may be significantly weaker inside closed rooms and through metallic barriers (e.g. walls, shelving units, cases, etc.).

### Battery Packs / Chargers:

Please refer to the battery/charger list, included with your tool.

**NOTE:** For tool specifications refer to the nameplate on your tool.

## Assembly

**⚠ WARNING** Disconnect battery pack from tool before making any assembly, adjustments or changing accessories. Such preventive safety measures reduce the risk of starting the tool accidentally.

### Inserting and Releasing Battery Pack

Set Forward/Reversing lever (3) to the center (locked position). Slide charged battery pack (5) into the housing until the battery pack locks into position (Fig. 3).

Your tool is equipped with a secondary locking latch to prevent the battery pack from completely falling out of the handle, should it become loose due to vibration.

To remove the battery pack, press the battery pack release button (6) and slide the battery pack (5) completely out of tool housing (Fig. 4).

Fig. 3

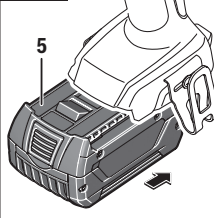
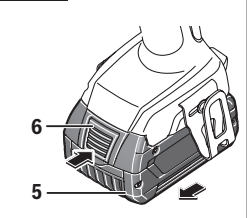


Fig. 4



### Inserting and Removing Accessories

Attach only high quality impact ready accessories with the proper size square drive designed for use with impact wrenches. To install a socket (10), simply push completely onto output drive (1) (Fig. 5, 6).

Through hole (2) allows for more secure socket retention via compatible socket and use of accessory pin and ring or one-piece retainer. Follow accessory retention device manufacturer's recommendations for use of through hole.

Fig. 5

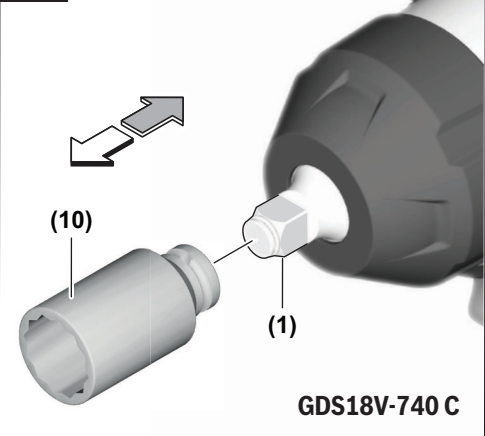
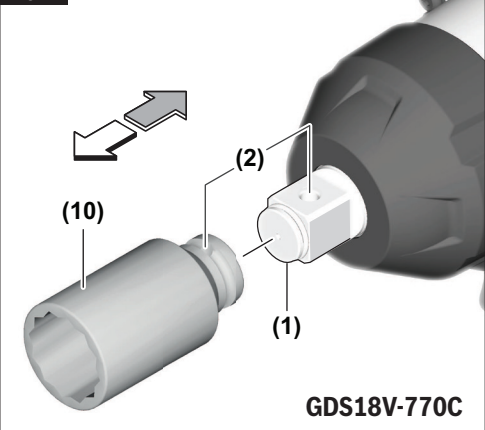


Fig. 6



## Assembly

### GCY42 Connectivity Module installation

**⚠ WARNING** To reduce the risk of injury read the operating instructions included with Bosch GCY42 connectivity module. Operating instructions for GCY42 connectivity module include important information not covered in this manual.

**⚠ WARNING** Only use Button/coin cell 3V lithium CR2032 battery. Do not use any other button/coin cells or other forms of electrical power supply.

**⚠ WARNING** Ensure that battery replacement is carried out properly. There is a risk of explosion.

**⚠ WARNING** Chemical Burn Hazard. Keep batteries away from children.

This product contains a lithium button/coin cell battery. If a new or used lithium button/coin cell battery is swallowed or enters the body, it can cause severe internal burns and can lead to death in as little as 2 hours. If you think a battery might have been swallowed or placed inside any part of the body, seek immediate medical attention.

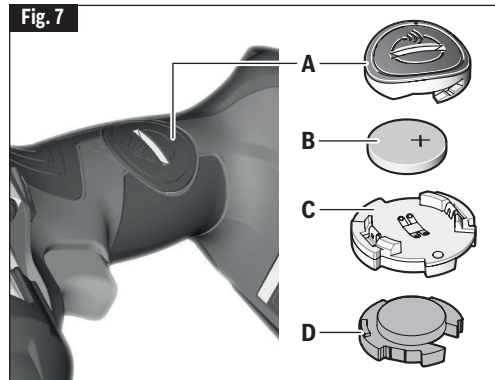
**⚠ WARNING** Always completely secure the connectivity module compartment. If the connectivity module compartment does not close securely, stop using the product, remove the battery, and keep it away from children.

**⚠ WARNING** When discarding batteries, insulate the '+' and '-' terminals with insulating tape. When disposed of improperly, lithium batteries may short, causing them to become hot, burst or ignite.

**⚠ WARNING** Never dispose of the batteries in a fire or expose to high heat. The batteries may explode.

If GCY42 connectivity module is not purchased with the tool, or if the replacement of the module or the battery becomes necessary, please follow this procedure (See Fig. 7):

- Using a flat screwdriver or a coin, remove the cover (A) from the side of the handle, by turning it 1/4 turn counter-clockwise.
- If the tool is already equipped with the connectivity module, remove the battery (B), but do not remove the connectivity module (C).
- If the connectivity module is installed for the first time, remove the plastic placeholder (D) from the connectivity module compartment, and place the connectivity module (C) in the compartment observing correct orientation. **Note:** Store the placeholder (D) in a safe place. Reinsert the placeholder again if the communications module is removed.
- Next place new battery (B) on the top of the connectivity module with the "+" polarity facing up.
- Place the cover (A) over the battery and turn it ¼-turn clockwise to lock using a flat screwdriver or a coin.



## Connectivity

**⚠ WARNING** To reduce the risk of injury read the operating instructions included with Bosch GCY42 connectivity module. Operating instructions for GCY42 connectivity module include important information not covered in this manual.

### Bluetooth®

**⚠ WARNING** Do not use the power tool with Bluetooth® in the vicinity of gas stations, chemical plants, areas where there is danger of explosion and areas subject to blasting. Do not use the power tool with Bluetooth® in airplanes. Do not use the power tool with Bluetooth® in the vicinity of medical devices. Avoid operation in the direct vicinity of the human body over longer periods of time. When using the power tool with Bluetooth®, interference with other devices and systems, airplanes and medical devices (e.g., cardiac pacemakers, hearing aids) may occur. The Bluetooth® word mark and logos are registered trademarks owned by Bluetooth SIG, Inc. and any use of such marks by Robert Bosch Tool Corporation is under license.

**⚠ WARNING** Follow all instructions and warnings provided by your Bluetooth® device manufacturer. Failure to follow recommended procedures could result in personal injury or property damage.

**⚠ WARNING** Exercise extreme caution when using Bluetooth® devices to control or change power tool functions. Operation of the device may be in a different area than the paired power tool. Paired devices may have functionality which allows timed event programming, including automatically powering on (e.g. flood light). Depending upon the power tool, these unattended operations or function changes without direct line of sight to the paired tool could result in personal injury or property damage.

**⚠ CAUTION** Always check tool settings before use. Settings may be different than when the tool was last used. The connectivity module enables transfer of data and settings based on Bluetooth® wireless technology. With module installed, select tool settings may be changed remotely by a paired Bluetooth® device and user installed app.

**⚠ CAUTION** The connectivity module GCY42 is equipped with a radio interface. Local operating restrictions, e.g. in military sites or hospitals, are to be observed. Transmitters have demonstrated an ability to unintentionally interfere with other devices.

### Think safety

SAFETY IS A COMBINATION OF OPERATOR COMMON SENSE AND ALERTNESS AT ALL TIMES WHEN THE TOOL IS BEING USED.

### FCC caution

The manufacturer is not responsible for radio interference caused by unauthorized modifications to this equipment. Such modifications could void the user's authority to operate the equipment.

This device complies with Part 15 of the FCC Rules. Operation is subject to the following two conditions:

- 1) This device may not cause harmful interference, and
- 2) This device must accept any interference received, including interference that may cause undesired operation.

NOTE! This equipment has been tested and found to comply with the limits for a Class B digital devices, pursuant to Part 15 of the FCC rules. These limits are designed to provide reasonable protection against harmful interference in a residential installation. This equipment generates, uses and can radiate radio frequency energy and, if not installed and used in accordance with the instructions, may cause harmful interference to radio communications. However, there is no guarantee that interference will not occur in a particular installation. If this equipment does cause harmful interference to radio or television reception, which can be determined by turning the equipment off

## Connectivity

and on, the user is encouraged to try to correct the interference by one or more of the following measures:

- Reorient or relocate the receiving antenna.
- Increase the separation between the equipment and receiver.
- Connect the equipment into an outlet on a circuit different from that to which the receiver is connected.
- Consult the dealer or an experienced radio/TV technician for help.

“Exposure to Radio Frequency (RF) Signals: The wireless device is a radio transmitter and receiver. It is designed and manufactured not to exceed the emission limit for exposure to radio frequency (RF) energy set by the Ministry of Health (Canada), Safety Code 6. These limits are part of comprehensive guidelines and established permitted levels of RF energy for the general population.

These guidelines are based on the safety standards previously set by international standard bodies. These standards include a substantial safety margin designed to assure the safety of all persons, regardless of age and health.

This device and its antenna must not be co-located or operating in conjunction with any other antenna or transmitter.

### Industry Canada

This device complies with Industry Canada licence-exempt RSS standard(s). Operation is subject to the following two conditions:

- (1) this device may not cause interference, and
- (2) this device must accept any interference, including interference that may cause undesired operation of the device.

### Using “Bosch Toolbox” app

After pairing your tool with a mobile device you can adjust certain functions or check the status of the power tool using Bosch Toolbox app (Fig. 8 and Fig. 9).

Every time you change any setting, the tool will confirm the changes by flashing the Status indicator LED **(12)** blue.

- A. Help button** – Tapping this button will bring up help screen.
- B. Tool photo** – Tapping the photo will let you customize the photograph of the tool.
- C. Power tool battery charge status** – The number of battery icons in green indicates the estimated charge level of the battery pack. Note: Number of battery icons may not be equal to the number of LEDs on the battery fuel gauge.
- D. Power tool nickname** – Tapping the “pencil” icon will let you customize the tool nickname. You can also do it when changing the tool photo.
- E. Connection status bar** – The connection (signal) strength is indicated by vertical bars. You can use the toggle switch to disconnect the tool from your mobile device.
- F. Assigned modes** – Allows you to define two modes of operation (A and B), specifying options such as Auto Shut Off, Auto Slow Down, and the direction of rotation for each mode.
- G. RPM Adjustment** – Allows you to select the rotation speed.
- H. Soft Start** – Allows speed ramp-up of the tool.
- I. Work Light** – Allows you to set the work light’s brightness and afterglow.
- J. User Interface** – Allows you to set the brightness and afterglow of the user interface.

## Connectivity

- K. Reset to Factory Default** – Returns the tool to its original settings.
  - L. Tool alerts** – Tapping the alerts triangle will display any alerts received from the tool.
  - M. Info button** – Displays tool information and specifications.
  - N. Tool Name** – Tapping this displays the tool’s model, serial number, manufacturing date, and baretool number.
  - O. Register Tool** – Tapping this registers the tool.
  - P. Tool Specs** – Tapping this displays the tool’s voltage, maximum torque, no load speed, impact rate, drive/bit holder type, head length, and weight (excluding battery).
  - Q. Tool Usage Info** – Tapping this displays the tool’s run time.
  - R. Bluetooth Low Energy Module** – Tapping this displays the Bluetooth module’s name, firmware version, and whether the firmware is up to date.
- Note:** Refer to the in-app Help screen (A) for more information on connectivity features, modes, and settings.

Fig. 8

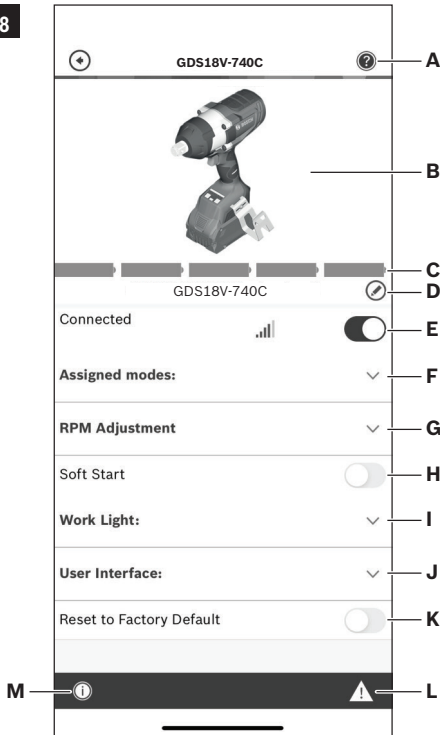
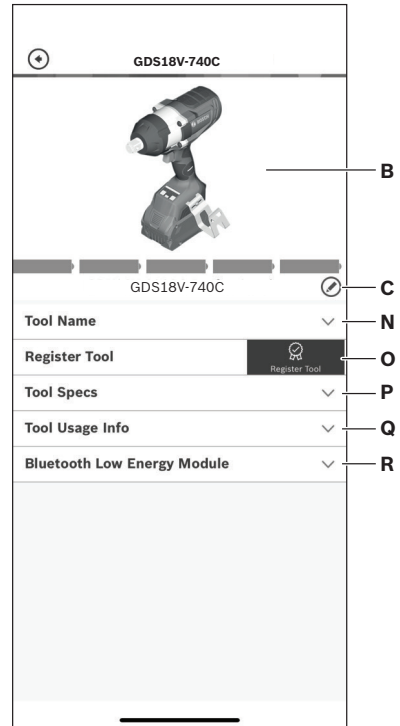


Fig. 9



# Operating Instructions

## Intended Use

**⚠ CAUTION** This tool is intended for the tightening and loosening of bolts, nuts and various threaded fasteners. This tool is not intended for use as a drill.

## Variable Speed Controlled Trigger Switch

Your tool is equipped with a variable speed trigger switch. The tool can be turned "ON" or "OFF" by squeezing or releasing the trigger. The speed can be adjusted from the minimum to maximum nameplate RPM by the pressure you apply to the trigger. Apply more pressure to increase the speed and release pressure to decrease speed (Fig. 1).

## Brake

When the trigger switch is released it activates the brake to stop the chuck quickly. This is especially useful in the repetitive driving and removal of screws.

## Forward/Reversing Lever and Trigger Lock

**⚠ WARNING** After tool use, lock trigger in "OFF" position to help prevent accidental starts and accidental discharge.

**⚠ CAUTION** Do not change direction of rotation until the tool comes to a complete stop. Shifting during rotation of the chuck can cause damage to the tool.

Your tool is equipped with a forward/reversing lever and trigger lock (3) located above the trigger (Fig. 10). This lever was designed for changing rotation of the socket, and for locking the trigger in an "OFF" position.

To lock the trigger, move the lever to the center.

For forward rotation, (with chuck pointed away from you) move the lever to the far left.

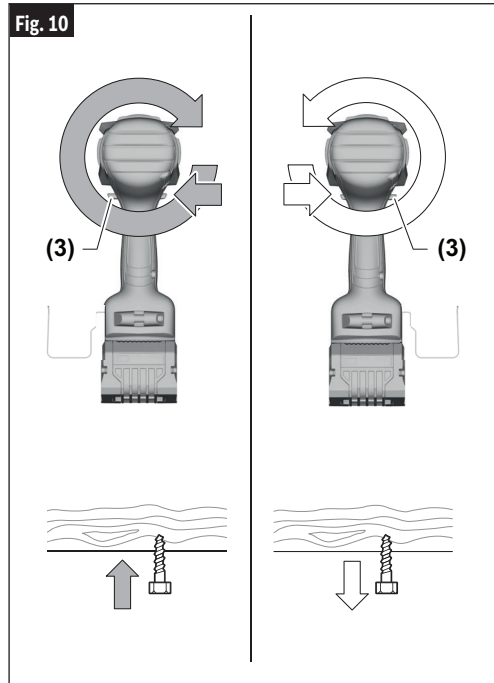
For reverse rotation move the lever to the far right. To activate trigger lock move lever to the center off position.

## Built-in work light

Your tool is equipped with an LED light (13) for better visibility when using the tool.

After the trigger (8) is activated, the LED will then stay on for 10 seconds. The length of time for afterglow

Fig. 10



can be changed in 'Bosch ToolBox' app setting (if connected).

## Operating tips

You will extend the life of your bits and do neater work if you always put the bit in contact with the work before pulling the trigger. During the operation, hold the tool firmly and exert light, steady pressure. Too much pressure at low speed will stall the tool. This can be damaging to both tool and bit.

## Driving with variable speed

The technique is to start slowly, increasing the speed as the screw runs down. Set the screw snugly by slowing to a stop. Prior to driving screws, pilot and clearance holes should be drilled.

Always hold the tool straight on the bolt to be tightened.

The best method to determine the right impacting/tightening duration is by means of a trial. For small screws, the right impacting/ tightening duration can be reached in less than 0.5 Sec. Therefore, work with low RPM and switch the tool off immediately when the screw is tight and the impacting sound can be heard.



## Operating Instructions

For screwing larger, longer wood screws into hard material, pre-drilling is the best method.

### Tightening Torque

The tightening torque depends on the duration of the impacting/tightening action. The largest tightening torque is achieved after approx. 6 to 10 Sec. impacting / tightening action.

The torque build-up depends on the following factors:

- Hardness of the bolts/nuts.
- Type of washer (disk washer, spring washer, seal).
- Hardness of the material to be joined.
- Lubricating effect at the surfaces of the junction.

This leads to the following application cases:

**Hard joining application:** The joining of metal to metal with a disk washer. The maximum torque is reached after a relative short impacting/tightening action.

**Medium joining application:** The joining of metal to metal when using spring ring washer, disk spring washer, stud bolts or bolts/nuts with conical seats.

**Soft joining application:** The joining of e.g. metal to wood or insulation material.

For middle or soft joining cases, the maximum tightening torque is less than for hard cases. Therefore, a longer impacting/tightening action is necessary to arrive at the maximum tightening torque.

### Selecting the working mode

The power tool has two preset working modes: A and B (17). You can also program working modes for different applications and adjust existing modes via the Bosch Toolbox under A and B.

To switch between the working modes A and B (17), press the Mode button (16).

By Default Mode A is designed for Self-Drilling Screws. Auto Slow Down is activated in both the forward and reverse directions.

By Default Mode B is designed for Wood Screws. In the forward direction Auto Shut-off is activated. In the reverse direction Auto Shut Off functions as Auto-Bolt Release for the default Mode B.

**Note:** Only one Setting or Mode can be active on the tool at a time. 1, 2, 3, A, or B.

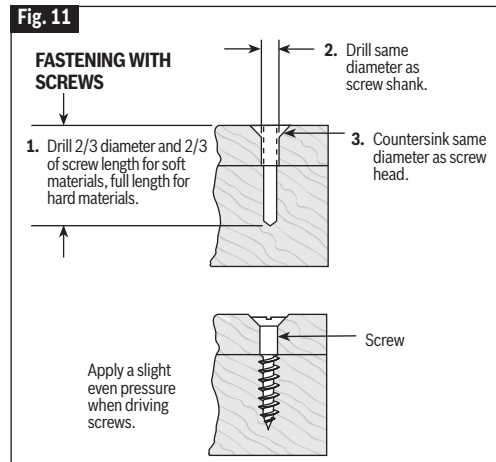
### Fastening with screws

The procedure shown in (Fig. 11) will help to fasten materials together with your tool and will reduce the possibility of stripping, splitting or separating the material.

First, clamp the pieces together and drill the first hole 2/3 the diameter of the screw. If the material is soft, drill only 2/3 the proper length. If it is hard, drill the entire length.

Second, unclamp the pieces and drill the second hole the same diameter as the screw shank in the first or top piece of wood.

Third, if flat head screw is used, countersink the hole to make the screw flush with the surface. Then, simply apply even pressure when driving the screw. The screw shank clearance hole in the first piece allows the screw head to pull the pieces tightly together.



### Driving nuts and bolts

Use variable speed control with caution for driving nuts and bolts with socket attachments. The technique is to start slowly, increasing speed as the nut or bolt runs down. The nut or bolt is set when the socket comes to a stop.

**Note:** Ensure that no metal particles enter the power tool. After working at a low speed for an extended period, you should operate the power tool at the maximum speed for approximately three minutes without load to cool it down.

## Operating Instructions

### Cold weather use (32°F)

Due to the lubrication used in the impacting mechanism, the tool should be run for three minutes at no load prior to actual usage. This will warm the lubricant and provide better performance.

### User interface

#### Status indicator LED

The LED bar at the top of the user interface illuminates in various colors to help the user identify the status of the tool. When the status indicator LED **(12)** is green, the tool and battery pack are operating normally and temperatures are ok. If the indicator changes to yellow, it means that the tool or battery temperatures have risen to a high level, and the use of the tool must stop to allow the tool to cool off. It is best to back off the load and give the tool chance to cool down. If the indicator turns red, the tool will shut off to protect itself and/or the battery pack from an overheating situation.

The status indicator LED **(12)** will also blink blue when the speed **(14)** or mode **(16)** buttons are held for 7 seconds. This will reset the tool settings to factory default.

### Joist Hanger

**⚠ WARNING** When using the joist hanger always be aware that the accessory is exposed. Always hang the tool in an area where yourself and bystanders cannot accidentally make contact with the accessory.

**⚠ WARNING** To reduce the risk of injury, Do not use the joist hanger if it appears damaged or deformed. This could result in unstable hanging and the tool unexpectedly falling.

**⚠ WARNING** To reduce the risk of injury, use care in selecting the location for hanging the tool.

The optional joist hanger accessory **(4)** will allow you to conveniently attach your tool to a joist, or other convenient support when not in use.

The joist hanger **(4)** can be attached to either side of the tool by securing it with a mounting screw. Always make sure you securely tighten the mounting screw before use (Fig.1).

- Select a suitably sized and shaped object that will provide adequate hanging stability. An unstable hanging surface could result in the tool unexpectedly falling.
- Ensure that the tool is hung out of the way of walkways and working areas with bystanders. The tool could be bumped or a bystander could become entangled causing the tool to unexpectedly fall.

## Maintenance

**⚠ WARNING** To avoid accidents, always disconnect the battery pack from tool before servicing or cleaning.

### Service

**⚠ WARNING** **NO USER SERVICEABLE PARTS INSIDE.** Preventive maintenance performed by unauthorized personnel may result in misplacing of internal wires and components which could cause serious hazard. We recommend that all tool service be performed by a Bosch Factory Service Center or Authorized Bosch Service Station.

### Batteries

**Be alert for battery packs that are nearing their end of life.** If you notice decreased tool performance or significantly shorter running time between charges then it is time to replace the battery pack. Failure to do so can cause the tool to operate improperly or damage the charger.

### Tool Lubrication

Your Bosch tool has been properly lubricated and is ready for use.

### Motors

The motor in your tool has been engineered for many hours of dependable service. To maintain peak efficiency of the motor, we recommend it be examined every six months. Only a genuine Bosch replacement motor specially designed for your tool should be used.

### Cleaning

**⚠ WARNING** **Certain cleaning agents and solvents damage plastic parts.** Some of these are: gasoline, carbon tetrachloride, chlorinated cleaning solvents, ammonia and household detergents that contain ammonia. Ventilation openings and switch levers must be kept clean and free of foreign matter. Do not attempt to clean by inserting pointed objects through opening.

## Accessories

**⚠ WARNING** The use of any other attachments or accessories not specified in this manual may create a hazard.





Store accessories in a dry and temperate environment to avoid corrosion and deterioration.

Included Accessories	Available separately
- Joist hanger	- Carrying case - GCY42 Connectivity Module



## Symboles relatifs à la sécurité

Les définitions ci-dessous décrivent le niveau de gravité pour chaque terme signalant un danger. Veuillez lire le mode d'emploi et lire la signification de ces symboles.

	C'est le symbole d'alerte relatif à la sécurité. Il est utilisé pour vous avertir de l'existence possible d'un danger de lésion corporelle. Obéissez à tous les messages relatifs à la sécurité qui suivent ce symbole pour éviter tout risque de blessure ou même de mort.
	DANGER indique une situation dangereuse qui, si elle n'est pas évitée, causera la mort d'une personne ou une blessure grave.
	AVERTISSEMENT indique une situation dangereuse qui, si elle n'est pas évitée, pourrait causer la mort d'une personne ou une blessure grave.
	MISE EN GARDE indique une situation dangereuse qui, si elle n'est pas évitée, causera une blessure légère ou modérée.

## Avertissements généraux concernant la sécurité des outils électroportatifs

**AVERTISSEMENT** Lisez toutes les consignes de sécurité, instructions, illustrations et spécifications fournies avec cet outil électrique. Le non-respect de toutes les instructions figurant ci-après pourrait causer un choc électrique, un incendie et/ou des blessures graves.

### CONSERVEZ TOUS LES AVERTISSEMENTS ET TOUTES LES CONSIGNES DE SÉCURITÉ POUR RÉFÉRENCE FUTURE.

Dans les avertissements, le terme « outil électroportatif » se rapporte à votre outil branché sur le secteur (avec fil) ou à votre outil alimenté par piles (sans fil).

### 1. Sécurité du lieu de travail

- Maintenez le lieu de travail propre et bien éclairé.** Les risques d'accident sont plus élevés quand on travaille dans un endroit encombré ou sombre.
- N'utilisez pas d'outils électroportatifs dans des atmosphères explosives, comme par exemple en présence de gaz, de poussières ou de liquides inflammables.** Les outils électroportatifs produisent des étincelles qui risquent d'enflammer les poussières ou les vapeurs.
- Éloignez les enfants et les visiteurs quand vous vous servez d'un outil électroportatif.** Vous risquez une perte de contrôle si on vous distrait.

### 2. Sécurité électrique

- Les fiches des outils électroportatifs doivent correspondre à la prise. Il ne faut absolument jamais modifier la fiche. N'utilisez pas d'adaptateur de prise avec des outils électroportatifs munis d'une fiche de terre.** Le risque de choc électrique est moindre si on utilise une fiche non modifiée sur une prise qui lui correspond.
- Évitez tout contact du corps avec des surfaces reliées à la terre tels que tuyaux, radiateurs, gazinières ou réfrigérateurs.** Le risque de choc électrique augmente si votre corps est relié à la terre.
- N'exposez pas les outils électroportatifs à la pluie ou à l'humidité.** Si de l'eau pénètre dans un outil électroportatif, le risque de choc électrique augmente.
- Ne maltraitez pas le cordon. Ne vous en servez jamais pour transporter l'outil électroportatif, pour le tirer ou pour le débrancher. Éloignez le cordon de la chaleur, des huiles, des arêtes coupantes ou des pièces mobiles.** Les cordons abîmés ou emmêlés augmentent les risques de choc électrique.
- Si vous utilisez un outil électroportatif à l'extérieur, employez une rallonge conçue pour l'extérieur.** Ces rallonges sont faites pour l'extérieur et réduisent le risque de choc électrique.
- S'il est absolument nécessaire d'utiliser l'outil électroportatif dans un endroit humide, utilisez une alimentation protégée par un disjoncteur de fuite de terre (GFCI).** L'utilisation d'un disjoncteur GFCI réduit les risques de choc électrique.



## Avertissements généraux concernant la sécurité des outils électroportatifs

### 3. Sécurité personnelle

- a. **Restez concentré, faites attention à ce que vous faites, et servez-vous de votre bon sens lorsque vous utilisez un outil électroportatif. N'employez pas d'outils électroportatifs quand vous êtes fatigué ou sous l'emprise de drogues, d'alcool ou de médicaments.** Quand on utilise des outils électroportatifs, il suffit d'un moment d'inattention pour causer des blessures corporelles graves.
- b. **Utilisez des équipements de sécurité personnelle. Portez toujours une protection oculaire.** Le port d'équipements de sécurité tels que des masques antipoussières, des chaussures de sécurité antidérapantes, des casques de chantier et des protecteurs d'oreilles dans des conditions appropriées réduira le risque de blessure corporelle.
- c. **Évitez les démarrages intempestifs. Assurez-vous que l'interrupteur est dans la position arrêt (Off) avant de brancher l'outil dans une prise de courant et/ou un bloc-piles, de le ramasser ou de le transporter.** Le transport d'un outil électroportatif avec le doigt sur la gâchette ou le branchement de cet outil quand l'interrupteur est en position de marche (ON) est une invite aux accidents.
- d. **Enlevez toutes les clés de réglage avant de mettre l'outil électroportatif en marche.** Si on laisse une clé sur une pièce tournante de l'outil électroportatif, il y a risque de blessure corporelle.
- e. **Ne vous penchez pas. Conservez toujours une bonne assise et un bon équilibre.** Ceci vous permettra de mieux maîtriser l'outil électroportatif dans des situations inattendues.
- f. **Habillez-vous de manière appropriée. Ne portez pas de vêtements amples ou de bijoux. Attachez les cheveux longs. N'approchez pas les cheveux, les vêtements ou les gants des pièces en mouvement.** Les vêtements amples, les bijoux ou les cheveux longs risquent d'être happés par les pièces en mouvement.
- g. **Si l'outil est muni de dispositifs permettant le raccordement d'un système d'aspiration et de collecte des poussières, assurez-vous que ces dispositifs sont raccordés et utilisés correctement.** L'utilisation d'un dépoussiéreur peut réduire les dangers associés à l'accumulation de poussière.
- h. **Ne laissez pas la familiarité résultant de l'utilisation fréquente des outils vous inciter à devenir complaisant(e) et à ignorer les principes de sécurité des outils.** Une action négligente pourrait causer des blessures graves en une fraction de seconde.

### 4. Utilisation et entretien des outils électroportatifs

- a. **Ne forcez pas sur l'outil électroportatif. Utilisez l'outil électroportatif qui convient à la tâche à effectuer.** L'outil qui convient à la tâche fait un meilleur travail et est plus sûr à la vitesse pour lequel il a été conçu.
- b. **Ne vous servez pas de l'outil électroportatif si son interrupteur ne parvient pas à le mettre en marche ou à l'arrêter.** Tout outil électroportatif qui ne peut pas être commandé par son interrupteur est dangereux et doit être réparé.
- c. **Débranchez la fiche de la prise secteur et/ou retirez le bloc-piles de l'outil électrique (s'il est amovible) avant d'y apporter de quelconques modifications, de changer d'accessoire ou de ranger l'outil électrique.** De telles mesures de sécurité préventive réduisent le risque de démarrage intempestif de l'outil électroportatif.
- d. **Rangez les outils électroportatifs dont vous ne vous servez pas hors de portée des enfants et ne permettez pas à des personnes qui ne connaissent pas l'outil électroportatif ou qui ignorent ces consignes de s'en servir.** Les outils électroportatifs sont dangereux dans les mains d'utilisateurs inexpérimentés.
- e. **Entretenez de façon appropriée les outils électriques et les accessoires. Assurez-vous que les pièces en mouvement sont bien alignées et qu'elles ne se coincent pas, qu'il n'y a pas de pièces cassées ou qu'il n'existe aucune situation pouvant affecter le fonctionnement de l'outil électrique. Si l'outil électrique est endommagé, faites-le réparer avant de vous en servir à nouveau.** Les outils coupants entretenus correctement et dotés de bords tranchants affûtés sont moins susceptibles de coincer et sont plus faciles à maîtriser.
- f. **Utilisez l'outil électroportatif, les accessoires et les embouts d'outil, etc. conformément à ces instructions, en tenant compte des conditions de travail et des travaux à réaliser.** L'emploi d'outils électroportatifs pour des tâches différentes de celles pour lesquelles ils ont été prévus peut résulter en une situation dangereuse.
- g. **Gardez les poignées et les surfaces de préhension propres, sèches et exemptes de toute trace d'huile ou de graisse.** Les poignées et les surfaces de préhension glissantes ne permettent pas une manipulation et un contrôle sûrs de l'outil dans des situations inattendues.

## Avertissements généraux concernant la sécurité des outils électroportatifs

### 5. Utilisation et entretien des outils à piles

- a. **Rechargez les piles uniquement avec le chargeur spécifié par le fabricant.** Un chargeur qui convient à un type de bloc-piles peut entraîner un risque d'incendie quand il est utilisé avec un autre bloc-piles.
- b. **Utilisez des outils électroportatifs uniquement avec les bloc-piles spécifiquement désignés pour eux.** L'utilisation de tout autre bloc-piles peut créer un risque de blessures et d'incendie.
- c. **Lorsque le bloc-piles n'est pas utilisé, gardez-le à distances d'autres objets métalliques tels que des trombones, des pièces de monnaie, des clés, des clous, des vis ou de tout autre objet métallique pouvant faire une connexion entre une borne et une autre.** Court-circuiter les bornes des piles peut causer des brûlures ou un incendie.
- d. **Dans des conditions abusives, du liquide peut être éjecté de la pile ; dans un tel cas, évitez tout contact avec ce liquide. Si un contact se produit accidentellement, rincez avec de l'eau. Si le liquide entre en contact avec les yeux, consultez un médecin.** Du liquide éjecté de la pile peut causer des irritations ou des brûlures.

- e. **N'utilisez pas un bloc-piles ou un outil qui est endommagé ou a été modifié.** Des piles endommagées ou modifiées peuvent se comporter de façon imprévisible et causer un incendie ou une explosion, ou entraîner des blessures.
- f. **N'exposez pas un bloc-piles ou un outil à un incendie ou à une température excessive.** L'exposition à un incendie ou à une température supérieure à 265° F (130° C) pourrait causer une explosion.
- g. **Suivez toutes les instructions relatives à la charge et ne chargez pas le bloc-piles ou l'outil en dehors de la plage de température indiquée dans les instructions.** Une charge dans des conditions appropriées ou à des températures en dehors de la plage spécifiée pourrait endommager les piles et augmenter le risque d'incendie.

### 6. Entretien

- a. **Faites réparer votre outil électroportatif par un agent de service qualifié n'utilisant que des pièces de rechange identiques.** Ceci assure que la sécurité de l'outil électroportatif est préservée.
- b. **Ne tentez jamais de réparer des blocs-piles endommagés.** La réparation de blocs-piles ne doit être effectuée que par le fabricant ou un prestataire de services agréé.

## Consignes de sécurité pour les clés à chocs sans fil

- a. **Tenez l'outil électroportatif par ses surfaces de préhension isolées lorsque vous effectuez une opération à l'occasion de laquelle l'outil de fixation risque d'entrer en contact avec un fil caché.** Tout contact d'un outil de fixation avec un fil sous tension risque de mettre aussi sous tension les parties métalliques exposées de l'outil électroportatif, ce qui pourrait causer un choc électrique pour l'opérateur.
- b. **Utilisez des brides ou d'autres moyens pratiques de brider ou de supporter la pièce sur une plate-forme stable.** Tenir la pièce à la main ou contre le corps est instable et risque de résulter en une perte de contrôle.
- c. **N'enfoncez pas d'éléments de fixation dans des murs existants ou dans d'autres zones sans visibilité où des fils électriques peuvent se trouver.** Si cette situation est inévitable, débranchez tous les fusibles ou les disjoncteurs alimentant ce site.
- d. **Utilisez seulement des douilles conçues pour des clés à percussion.** Les douilles conçues pour une utilisation manuelle risqueraient de se casser sous la charge produite par cet outil.
- e. **Positionnez et sécurisez correctement et complètement la douille sur le raccord de sortie.**
- f. **N'utilisez pas de douilles usées ou endommagées.**
- g. **Sélectionnez des douilles de la taille correcte et assurez-vous que l'intérieur de chaque douille est toujours propre.**
- h. **Ne laissez pas un élément de fixation mal assujéti tourner librement à l'intérieur de la douille. L'élément de fixation risquerait d'être projeté à l'extérieur de la douille.**
- i. **Utilisez des gants rembourrés épais et limitez le temps d'exposition en prenant des pauses fréquentes.** Les vibrations causées par l'action de la visseuse à percussion peuvent causer des blessures aux bras et aux mains.
- j. **Retirez le bloc-piles avant de changer d'accessoire.** Un démarrage accidentel peut se produire avec les appareils à piles dont le bloc-piles est introduit alors qu'il est sur marche.
- k. **Prévoyez un couple de réaction lors de la « mise en place » ou le retrait de visserie.** Le boîtier de l'outil peut avoir tendance à tourner dans le sens contraire de la rotation de l'accessoire lors de la « mise en place » ou du retrait d'un élément de fixation en fonction du réglage du couple de serrage de l'outil.
- l. **Ne faites pas fonctionner l'outil lorsque vous le portez sur le côté.** Le mécanisme d'entraînement rotatif pourrait accrocher des vêtements et causer ainsi des blessures.
- m. **Ne placez l'outil sur l'élément de fixation que quand l'outil est hors tension.** Les visseuses tournantes peuvent glisser de la visserie.

## Avertissements supplémentaires concernant la sécurité

- a. L'emploi d'un GFCI et de dispositifs de protection personnelle tels que gants et chaussures d'électricien en caoutchouc améliorent votre sécurité personnelle.
- b. **Créez un agenda d'entretien périodique pour votre outil. Quand vous nettoyez un outil, faites attention de n'en démonter aucune pièce car il est toujours possible de mal remonter ou de pincer les fils internes ou de remonter incorrectement les ressorts de rappel des capots de protection.** Certains agents de nettoyage tels que l'essence, le tétrachlorure de carbone, l'ammoniaque, etc. risquent d'abîmer les plastiques.
- c. **Veillez à ce que l'interrupteur soit dans la position de fermeture avant d'insérer le bloc-piles.** L'insertion d'un bloc-piles dans un outil électroportatif dont l'interrupteur est dans la position de marche est une invite aux accidents.








**⚠ AVERTISSEMENT** Les travaux à la machine tel que ponçage, sciage, meulage, perçage et autres travaux du bâtiment peuvent créer des poussières contenant des produits chimiques qui sont des causes reconnues de cancer, de malformation congénitale ou d'autres problèmes reproductifs. Ces produits chimiques sont, par exemple :

- Le plomb provenant des peintures à base de plomb,
- Les cristaux de silices provenant des briques et du ciment et d'autres produits de maçonnerie, et
- L'arsenic et le chrome provenant des bois traités chimiquement.

Le niveau de risque dû à cette exposition varie avec la fréquence de ces types de travaux. Pour réduire l'exposition à ces produits chimiques, il faut travailler dans un lieu bien ventilé et porter un équipement de sécurité approprié tel que certains masques à poussière conçus spécialement pour filtrer les particules microscopiques.

## Symboles












**Important :** Certains des symboles suivants peuvent être utilisés sur votre outil. Veuillez les étudier et apprendre leur signification. Une interprétation appropriée de ces symboles vous permettra d'utiliser l'outil de façon plus efficace et plus sûre.

Symbole	Désignation / Explication
V	Volts (voltage)
Ah	Ampères/heure (mesure de la capacité de la pile)
A	Ampères (courant)
Hz	Hertz (fréquence, cycles par seconde)
W	Watt (puissance)
kg	Kilogrammes (poids)
min	Minutes (temps)
s	Seconds (temps)
∅	Diamètre (taille des mèches de perceuse, meules, etc.)
$n_0$	Vitesse à vide (vitesse de rotation, à vide)
n	Vitesse nominale (vitesse maximum pouvant être atteinte)
.../min	Tours ou mouvement alternatif par minute (tours, coups, vitesse en surface, orbites, etc., par minute)
0	Position d'arrêt (vitesse zéro, couple zéro ...)
1, 2, 3, ... I, II, III,	Réglages du sélecteur (Réglages de vitesse, de couple ou de position. Un nombre plus élevé signifie une vitesse plus grande)
	Sélecteur variable à l'infini avec arrêt (La vitesse augmente depuis le réglage 0)
	Flèche (action dans la direction de la flèche)
	Courant alternatif (type ou caractéristique du courant)
	Courant continu (type ou caractéristique du courant)
	Courant alternatif ou continu (type ou caractéristique du courant)
	Construction classe II (désigne des outils construits avec double isolation)
	Borne de terre (borne de mise à la terre)



## Symboles

**Important** : Certains des symboles suivants peuvent être utilisés sur votre outil. Veuillez les étudier et apprendre leur signification. Une interprétation appropriée de ces symboles vous permettra d'utiliser l'outil de façon plus efficace et plus sûre.

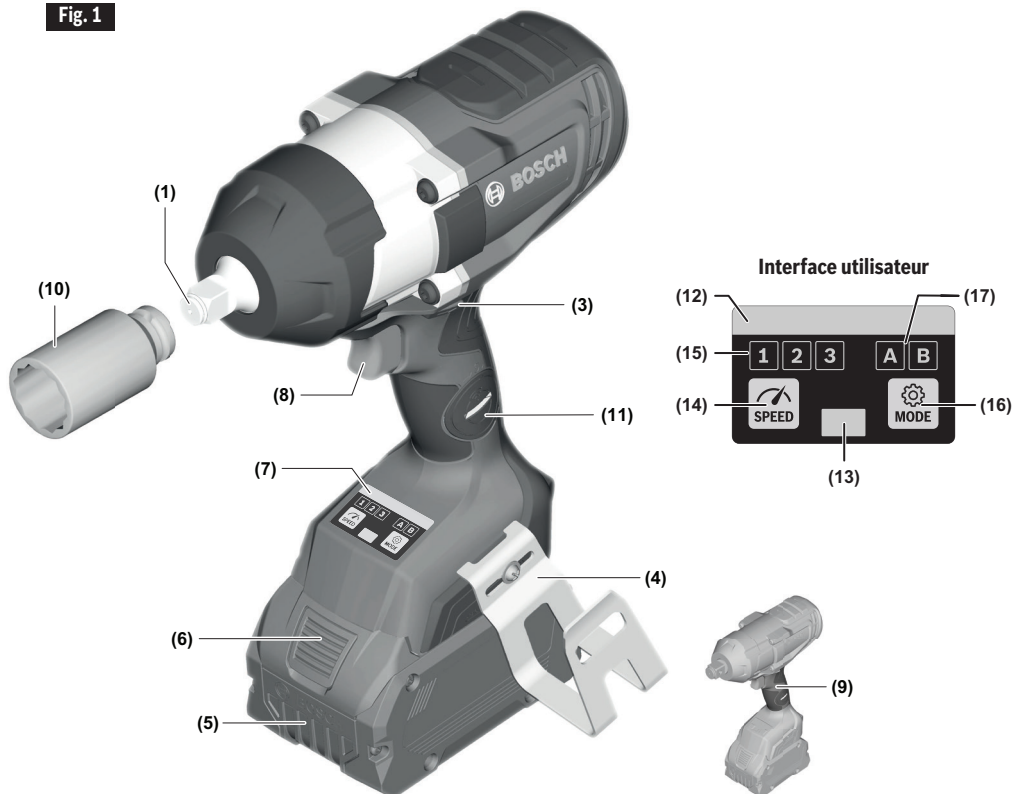
Symbole	Désignation / Explication
	Alerte l'utilisateur pour lire le mode d'emploi
	Alerte l'utilisateur pour porter des lunettes de sécurité
	Alerte l'utilisateur pour porter une protection respiratoire
	Alerte l'utilisateur pour porter des protecteurs d'oreilles
	Fait savoir à l'utilisateur qu'il doit porter des protections oculaires, respiratoires et auditives.
	Ce symbole signifie que cet outil est approuvé par Underwriters Laboratories.
	Ce symbole signifie que cet outil est approuvé par Underwriters Laboratories selon les normes des États-Unis et du Canada.
	Ce symbole signifie que cet outil est approuvé par l'Association canadienne de normalisation.
	Ce symbole signifie que cet outil est approuvé par l'Association canadienne de normalisation selon les normes des États-Unis et du Canada.
	Ce symbole signifie que cet outil est approuvé par Intertek Testing Services selon les normes des États-Unis et du Canada
	Désigne le programme de recyclage des piles Li-ion.

## Description fonctionnelle et spécifications

**AVERTISSEMENT** Débranchez le bloc-piles de l'outil avant d'effectuer tout assemblage ou réglage, ou de changer des accessoires. Ces mesures de sécurité préventives réduisent le risque d'une mise en marche accidentelle de l'outil.

### Clé à chocs sans fil GDS18V-740C

Fig. 1



- (1) Raccord de sortie
- (3) Commutateur de sens de rotation
- (4) Attache pour solive
- (5) Pile\*
- (6) Bouton d'éjection de la pile\*
- (7) Interface utilisateur
- (8) Commutateur à gâchette à vitesse variable
- (9) Poignée (surface de préhension isolée)
- (10) Douille\*
- (11) Compartiment du module de connectivité

#### Interface utilisateur

- (12) Voyant d'indication de fonctionnement à DEL
- (13) Lampe de travail
- (14) Bouton de présélection de la vitesse
- (15) Indicateur de niveau de présélection de la vitesse
- (16) Bouton de mode
- (17) Indicateur de sélection de mode

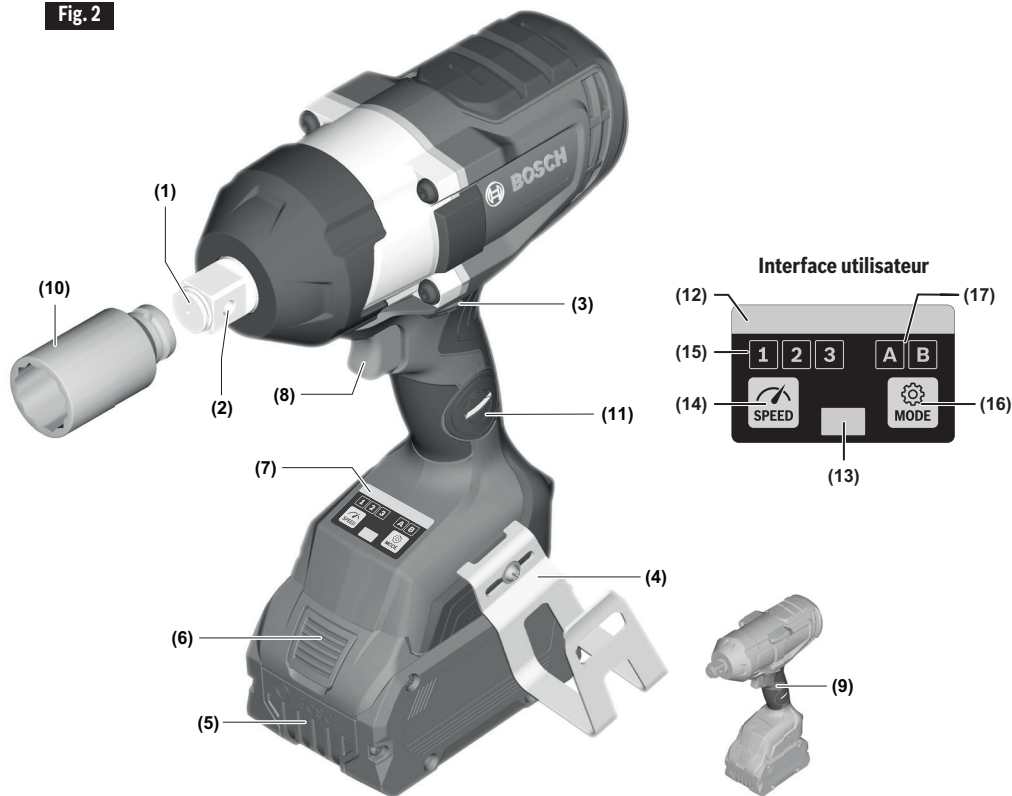
\* Les accessoires montrés ou décrits ne sont pas inclus avec le produit de façon standard. Vous pouvez trouver la sélection complète des accessoires dans notre gamme d'accessoires.

## Description fonctionnelle et spécifications

**AVERTISSEMENT** Débranchez le bloc-piles de l'outil avant d'effectuer tout assemblage ou réglage, ou de changer des accessoires. Ces mesures de sécurité préventives réduisent le risque d'une mise en marche accidentelle de l'outil.

### Clé à chocs sans fil GDS18V-770C

Fig. 2



- (1) Raccord de sortie
- (2) Trou traversant (GDS18V-770C)
- (3) Commutateur de sens de rotation
- (4) Attache pour solive
- (5) Pile\*
- (6) Bouton d'éjection de la pile\*
- (7) Interface utilisateur
- (8) Commutateur à gâchette à vitesse variable
- (9) Poignée (surface de préhension isolée)
- (10) Douille\*
- (11) Compartiment du module de connectivité

#### Interface utilisateur

- (12) Voyant d'indication de fonctionnement à DEL
- (13) Lampe de travail
- (14) Bouton de présélection de la vitesse
- (15) Indicateur de niveau de présélection de la vitesse
- (16) Bouton de mode
- (17) Indicateur de sélection de mode

\* Les accessoires montrés ou décrits ne sont pas inclus avec le produit de façon standard. Vous pouvez trouver la sélection complète des accessoires dans notre gamme d'accessoires.

## Description fonctionnelle et spécifications

Clé à chocs	GDS18V-740C	GDS18V-770C
Tension nominale	18V	18V
Régime à vide		
– Paramètre de réglage 1	0–800 RPM	0–800 RPM
– Paramètre de réglage 2	0–1300 RPM	0–1300 RPM
– Paramètre de réglage 3	0–1750 RPM	0–1750 RPM
Taux de percussion		
– Paramètre de réglage 1	0–1600 IPM	0–1600 IPM
– Paramètre de réglage 2	0–2300 IPM	0–2300 IPM
– Paramètre de réglage 3	0–2600 IPM	0–2600 IPM
Couple maximum		
– Paramètre de réglage 1	260 Ft-lbs	260 Ft-lbs
– Paramètre de réglage 2	480 Ft-lbs	480 Ft-lbs
– Paramètre de réglage 3	740 Ft-lbs	770 Ft-lbs
Couple de rupture maximal	1180 Ft-lbs	1250 Ft-lbs
Raccord de sortie	Mécanisme d'entraînement carré de 1/2 po avec anneau à friction	Mécanisme d'entraînement carré de 3/4 po avec anneau à friction et trou traversant
Poids de l'outil tout seul	6.4 lbs	6.4 lbs
Température admissible des piles pendant la charge	+32...+113°F (0...+45C)	+32...+113°F (0...+45C)
Température ambiante admissible pendant le fonctionnement et le stockage	-4...+122°F (-20...+50C)	-4...+122°F (-20...+50C)
Température ambiante recommandée pendant la charge	+32...+95°F (0...+35°C)	+32...+95°F (0...+35°C)
Transmission des données (GCY42 installé)		
Bluetooth®	Bluetooth® 4.1 (faible consommation d'énergie) <sup>A</sup>	
Intervalle entre signaux, approx.	8s	8s
Plage des signaux	maximum 98ft <sup>B</sup>	maximum 98ft <sup>B</sup>

Optimisé pour AMPShare avec performance Max. depuis > 8 Ah

<sup>A</sup> Les terminaux mobiles doivent être compatibles avec les dispositifs Bluetooth® à faible consommation d'énergie (version 4.1) et prendre en charge le Generic Access Profile (GAP).

<sup>B</sup> La plage des signaux peut varier considérablement en fonction des conditions extérieures. La plage Bluetooth® peut être substantiellement plus faible à l'intérieur de salles closes et à travers des barrières métalliques (p. ex., murs, étagères, coffres, etc.).

### Bloc-piles/chargeurs

Veuillez vous référer à la liste des piles/chargeurs accompagnant votre outil.

**REMARQUE :** Pour spécifications de l'outil, reportez-vous à la plaque signalétique de votre outil.

## Assemblage

**⚠ AVERTISSEMENT** Débranchez le bloc-piles de l'outil avant d'effectuer tout assemblage ou réglage, ou de changer des accessoires. Ces mesures de sécurité préventives réduisent le risque d'une mise en marche accidentelle de l'outil.

### Insertion et retrait du bloc-piles

Mettez le levier d'avancement/d'inversion (3) dans la position centrale (verrouillée). Faites glisser le bloc-piles (5) dûment chargé dans le boîtier jusqu'à ce que le bloc-piles se verrouille en place (Fig. 3).

Votre outil est muni d'un mécanisme de verrouillage secondaire pour empêcher le bloc-piles de tomber complètement du boîtier de l'outil au cas il s'en détacherait en conséquence des vibrations.

Pour retirer le bloc-piles, appuyez sur le bouton d'éjection du bloc-piles (6) et faites glisser le bloc-piles (5) complètement en dehors du boîtier de l'outil (Fig. 4).

### Insertion et retrait des accessoires

N'attachez que des accessoires de haute qualité prêts à recevoir des impacts avec le carré d'entraînement de taille appropriée conçu pour une utilisation avec des clés à percussion. Pour installer une douille (10), enfoncez-la simplement à fond dans le raccord de sortie (1) (Fig. 5, 6).

Le trou traversant (2) permet une rétention plus sécurisée de la douille grâce à une douille compatible et à l'utilisation de la broche et de l'anneau pour accessoires ou du dispositif de retenue monobloc. Suivez les recommandations du fabricant du dispositif de retenue pour utiliser le trou traversant.

Fig. 3

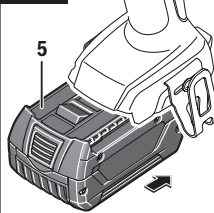


Fig. 4

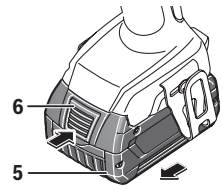
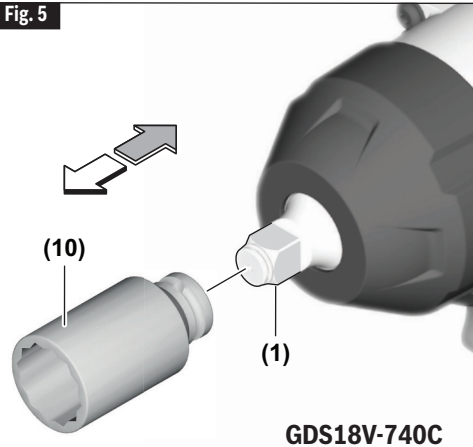
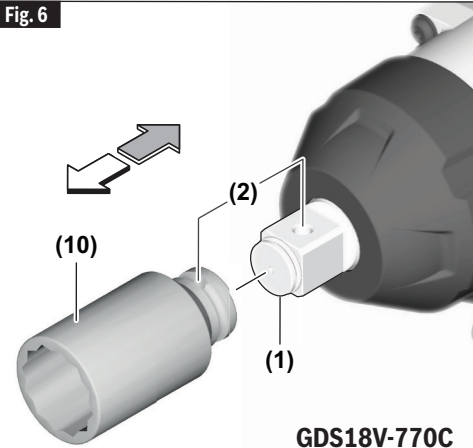


Fig. 5



GDS18V-740C

Fig. 6



GDS18V-770C

## Assemblage

### Installation du module de connectivité GCY42

**⚠ AVERTISSEMENT** Pour réduire le risque de blessure, lisez les instructions d'utilisation incluses dans le module de connectivité GCY42. Les instructions d'utilisation pour le module de connectivité GCY30-4 comprennent des informations importantes qui ne sont pas couvertes dans ce manuel.

**⚠ AVERTISSEMENT** N'utilisez que des piles CR2032 au lithium de 3 V en forme de bouton/pièce de monnaie. N'utilisez pas d'autres piles en forme de bouton/pièce de monnaie ou d'autres types d'alimentation électrique.

**⚠ AVERTISSEMENT** Assurez-vous que les piles sont remplacées de façon appropriée. Il existe un risque d'explosion.

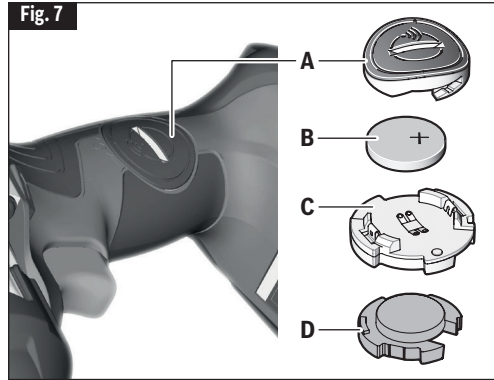
**⚠ AVERTISSEMENT** Risque de brûlure chimique. Gardez les piles hors de la portée des enfants. Ce produit contient une pile au lithium en forme de bouton/pièce de monnaie. Si une pile au lithium en forme de bouton/pièce de monnaie neuve ou usagée est avalée ou entre dans le corps, elle risque de causer de graves brûlures internes et de causer la mort en deux heures seulement. Si vous pensez que des piles ont pu avoir été avalées ou placées dans une partie quelconque du corps, consultez immédiatement un membre du corps médical.

**⚠ AVERTISSEMENT** Sécurisez toujours complètement le compartiment du module de connectivité. Si le compartiment du module de connectivité ne ferme pas bien, cessez d'utiliser le produit, retirez-en les piles et gardez hors de la portée des enfants.

**⚠ AVERTISSEMENT** Lorsque vous mettez des piles au rebut, isolez les bornes « + » et « - » avec un ruban isolant. Si elles sont mises au rebut de façon inappropriée, les piles au lithium risquent de se court-circuiter, ce qui élèvera leur température et risque de les faire éclater ou de causer leur inflammation.

**⚠ AVERTISSEMENT** Ne jetez jamais de piles dans un feu et ne les exposez pas à une chaleur élevée. Les piles pourraient exploser.

Fig. 7



Si le module de connectivité GCY42 n'est pas acheté avec l'outil, ou si le remplacement du module ou des piles devient nécessaire, veuillez suivre cette procédure (voir Fig. 7) :

- En utilisant un tournevis à lame plate ou une pièce de monnaie, retirez le couvercle (A) du côté de la poignée en tournant d'un quart de tour dans le sens contraire des aiguilles d'une montre.
- Si l'outil est déjà muni du module de connectivité, retirez la pile (B) mais pas le module de connectivité (C).
- Si le module de connectivité est installé pour la première fois, retirez le support de mise en place en plastique (D) du compartiment du module de connectivité et placez le module de connectivité (C) dans le compartiment en respectant l'orientation correcte. **Remarque :** Rangez le support de mise en place (D) en lieu sûr. Réinsérez le support de mise en place si le module de communications est retiré.
- Puis placez la nouvelle pile (B) sur le module de connectivité avec la polarité « + » orientée vers le haut.
- Placez le couvercle (A) sur la pile et tournez d'un quart de tour dans le sens des aiguilles d'une montre pour verrouiller en utilisant un tournevis à lame plate ou une pièce de monnaie.

## Connectivité

**⚠ AVERTISSEMENT** Pour réduire le risque de blessure, lisez les instructions d'utilisation incluses dans le module de connectivité GCY42. Les instructions d'utilisation pour le module de connectivité GCY42 comprennent des informations importantes qui ne sont pas couvertes dans ce manuel.

### Bluetooth®

**⚠ AVERTISSEMENT** N'utilisez pas l'outil électrique avec Bluetooth® à proximité de postes de distribution d'essence, d'usines de produits chimiques, d'endroits où il existe un risque d'explosion et d'autres endroits exposés. N'utilisez pas l'outil électrique avec Bluetooth® dans des avions. N'utilisez pas l'outil électrique avec Bluetooth® à proximité de dispositifs médicaux. Évitez toute utilisation à proximité immédiate du corps humain pendant des périodes prolongées. Lorsque vous utilisez l'outil électrique avec Bluetooth®, des interférences avec d'autres dispositifs et systèmes, des avions et des dispositifs médicaux (p. ex., stimulateurs cardiaques, prothèses auditives) peuvent se produire.

La marque du mot Bluetooth® et les logos correspondants sont des marques déposées appartenant à Bluetooth SIG, Inc., et toute utilisation de ces marques par Robert Bosch Tool Corporation est effectuée sous licence.

**⚠ AVERTISSEMENT** Suivez toutes les instructions et tous les avertissements fournis par votre fabricant de dispositif Bluetooth®. Le non-respect des procédures recommandées pourrait causer des blessures ou des dommages matériels.

**⚠ AVERTISSEMENT** Faites preuve d'une grande prudence lorsque vous utilisez des dispositifs Bluetooth® pour contrôler ou changer des fonctions de l'outil électrique. Le dispositif peut fonctionner à un endroit différent de celui où se trouve l'outil électrique apparié. Les dispositifs appariés peuvent avoir une fonctionnalité permettant la programmation d'événements ponctuels, y compris la mise en marche automatique (p. ex., lumière diffuse). En fonction de l'outil électrique, ces opérations non surveillées ou ces changements de fonction sans ligne de vision permettant de voir l'outil apparié pourraient causer des blessures ou des dommages matériels.

**⚠ AVERTISSEMENT** Contrôlez toujours le réglage des paramètres de l'outil avant de vous en servir. Ce réglage peut être différent de la dernière fois que l'outil a été utilisé. Le module de connectivité permet le transfert de données et de paramètres grâce à la technologie sans fil Bluetooth®. Après avoir installé le module, certains paramètres de réglage de l'outil peuvent être changés à distance par un dispositif Bluetooth® apparié, avec l'appli installée de l'utilisateur.

**⚠ MISE EN GARDE** Le module de connectivité GCY42 est pourvu d'une interface radio. Il faut observer les restrictions d'utilisation locales, p. ex., dans les établissements militaires ou les hôpitaux. Les émetteurs ont démontré une capacité d'interférence non intentionnelle avec d'autres dispositifs.

### La sécurité avant tout

POUR ASSURER SA SÉCURITÉ, L'UTILISATEUR DOIT FAIRE PREUVE DE BON SENS ET DE VIGILANCE PENDANT TOUT LE TEMPS DURANT LEQUEL IL SE SERT DE L'OUTIL.

### Mise en garde de la FCC

Le fabricant n'est pas responsable de toute interférence radio à cause de modifications non autorisées apportées à ce matériel. De telles modifications pourraient annuler l'autorisation accordée à l'utilisateur pour utiliser ce matériel.

Cet appareil est conforme à la partie 15 des Règlements de la FCC. Son utilisation est autorisée moyennant le respect des deux conditions suivantes :

- 1) Cet appareil ne doit pas causer d'interférences nuisibles ; et
- 2) Cet appareil doit accepter toute interférence reçue, y compris les interférences qui risquent de causer un fonctionnement indésirable.

**REMARQUE !** Cet équipement a été testé et jugé conforme aux limites pour un équipement numérique de Classe B en vertu de la Partie 15 des Règlements de la FCC. Ces limites sont conçues pour assurer une protection raisonnable contre les interférences nuisibles dans une installation résidentielle. Cet équipement émet, utilise et peut rayonner de l'énergie de fréquence radio et, s'il n'est pas installé et utilisé conformément aux instructions, il pourrait causer des interférences nuisibles aux communications radio. Cependant, il n'existe aucune garantie qu'aucune interférence ne se produira dans une installation particulière. Si cet équipement cause des interférences nuisibles pour la réception de programmes à la radio ou à la télévision, ce qui peut être déterminé en allumant et en éteignant à plusieurs reprises l'équipement en question, l'utilisateur est encouragé à corriger l'interférence en prenant une ou plusieurs des mesures suivantes :

- Réorienter ou déplacer l'antenne de réception.

## Connectivité

- Augmenter la distance entre l'équipement et le récepteur.
- Connecter l'équipement à une prise de courant raccordée à un circuit différent de celui auquel le récepteur est connecté.
- Consulter le détaillant ou un technicien radio ou télévision expérimenté pour lui demander conseil.

« Exposition à des signaux de radio fréquence (RF) : Le dispositif sans fil est un émetteur et récepteur radio. Il est conçu et fabriqué pour ne pas dépasser la limite d'émission pour l'exposition à l'énergie de radio fréquence (RF) fixée par le Ministère de la Santé (Canada), Code de sécurité 6. Ces limites font partie des directives globales et des niveaux permis établis d'énergie RF pour l'ensemble de la population.

Ces directives sont basées sur les normes de sécurité fixées antérieurement par les organismes internationaux de normalisation. Ces normes comprennent une marge de sécurité substantielle conçue pour assurer la sécurité de tout le monde, quels que soient l'âge et l'état de santé.

Ce dispositif et son antenne ne doivent pas être placés à proximité d'une autre antenne ou d'un autre émetteur, et ils ne doivent pas fonctionner conjointement avec eux.

## Industrie Canada

Cette imprimante remplit les conditions d'exemption de licence des charges sur les normes radioélectriques (RSS/CNR) d'Industrie Canada. Son fonctionnement est soumis aux deux conditions suivantes :

- (1) Cet appareil ne doit pas causer d'interférences ; et
- (2) Cet appareil doit accepter toutes les interférences, y compris celles qui sont susceptibles d'entraîner un.

## Utilisation de l'appli « Bosch Toolbox »

Après avoir apparié votre outil avec un dispositif mobile, vous pouvez ajuster certaines fonctions ou vérifier le statut de l'outil électrique en utilisant l'appli Bosch Toolbox (Fig. 8 et Fig. 9).

Chaque fois que vous changez un paramètre, l'outil confirmera les changements en faisant clignoter la lampe d'indication d'état à DEL (12) bleu.

- A. Bouton d'aide** – appuyez sur ce bouton pour afficher l'écran d'aide.
- B. Photo de l'outil** – appuyez sur la photo pour personnaliser la photographie de l'outil.
- C. Statut de charge des piles de l'outil électrique** – le nombre de « piles » vertes indique le niveau de charge estimé pour le bloc-piles. Remarque : Le nombre d'icônes de piles peut ne pas être égal au nombre de DEL sur la jauge de charge du bloc-piles.
- D. Surnom de l'outil électrique** – appuyez sur l'icône de crayon pour personnaliser le surnom de l'outil. Vous pouvez faire la même chose lorsque vous changez la photo de l'outil.
- E. Barre de statut de connexion** – Ici vous pouvez voir la force de la connexion (signal) indiquée par des barres verticales. Vous pouvez utiliser l'interrupteur à bascule pour déconnecter l'outil de votre dispositif mobile.
- F. Modes assignés** – Permet de définir deux modes de fonctionnement (A et B), en spécifiant des options telles que l'arrêt automatique, le ralentissement automatique et le sens de rotation pour chaque mode.
- G. Réglage du régime (RPM)** – Permet de sélectionner la vitesse de rotation.
- H. Soft Start (Démarrage en douceur)** – Permet d'accélérer progressivement la vitesse de l'outil.
- I. Lampe de travail** – Permet de régler la luminosité et la rémanence de la lampe de travail.
- J. Interface utilisateur** – Permet de régler la luminosité et la rémanence de l'interface utilisateur.
- K. Réinitialisation aux paramètres par défaut fixés en usine** – Remet l'outil dans ses paramètres d'origine.
- L. Alertes relatives à l'outil** – Appuyez sur « triangle d'alertes » pour afficher toutes les alertes reçues par l'outil.



## Connectivité

- M. Bouton Info** – Affiche les informations et spécifications de l'outil.
- N. Nom de l'outil** – En appuyant sur ce bouton, vous affichez le modèle, le numéro de série, la date de fabrication et le numéro Baretool de l'outil.
- O. Enregistrer l'outil** – Appuyez sur cette touche pour enregistrer l'outil.
- P. Spécifications de l'outil** – En appuyant sur ce bouton, on peut voir la tension de l'outil, le couple maximal, la vitesse à vide, le taux d'impact, le type d'entraînement/de porte-embout, la longueur de la tête et le poids (sans la pile).

**Q. Informations sur l'utilisation de l'outil** – En appuyant sur ce bouton, vous affichez la durée de fonctionnement de l'outil.

**R. Module Bluetooth à faible énergie** – Appuyez sur ce bouton pour afficher le nom du module Bluetooth, pour afficher la version du micrologiciel et pour savoir si le micrologiciel est à jour.

**Remarque :** Consultez l'écran d'aide intégré à l'application **(A)** pour plus d'informations sur les fonctions, modes et paramètres de connectivité.

Fig. 8

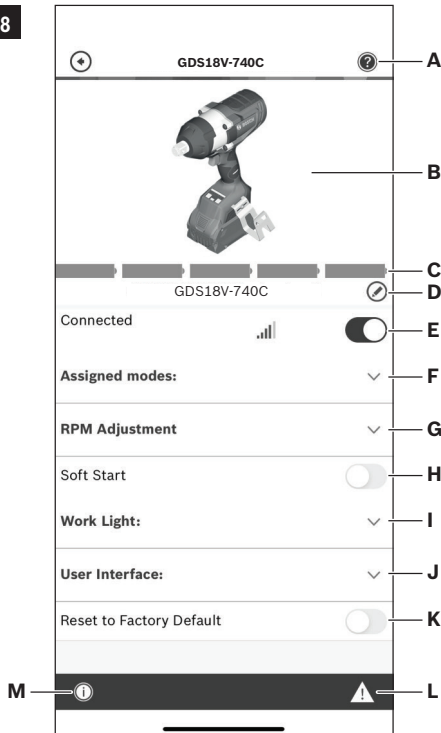
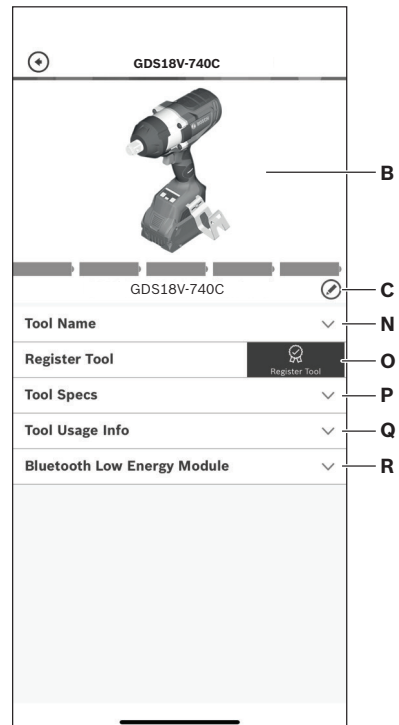


Fig. 9



## Consignes de fonctionnement

### Usage prévu

**⚠ MISE EN GARDE** Cet outil est prévu pour le vissage et dévissage des vis, écrous et de la visserie filetée. Cet outil n'est pas prévu pour être utilisé comme une perceuse.

### Gâchette de commande à vitesse variable

Votre outil est équipé d'une gâchette de commande à vitesse variable. Vous pouvez mettre le tournevis en marche ou à l'arrêt en appuyant sur la gâchette ou en la relâchant, suivant le cas. En fonction de la pression exercée sur la gâchette, il est possible de régler la vitesse dans les limites minimale et maximale spécifiées sur la plaquette emblématique. Exercez plus de pression pour augmenter la vitesse et moins pour la diminuer (Fig. 1).

### Frein

Le relâchement de la gâchette active le frein qui immobilise le mandrin en rapidité, ce qui est surtout pratique pour l'enfoncement et l'enlèvement répétitifs des vis.

### Levier de marche avant/arrière et verrouillage de gâchette

**⚠ AVERTISSEMENT** Après avoir utilisé l'outil, verrouillez la gâchette en position d'arrêt pour éviter les risques de démarrage accidentel et de décharge accidentelle.

**⚠ MISE EN GARDE** Ne changez pas le sens de rotation avant que l'outil ne se soit complètement immobilisé. Un changement durant la rotation du mandrin pourrait endommager l'outil.

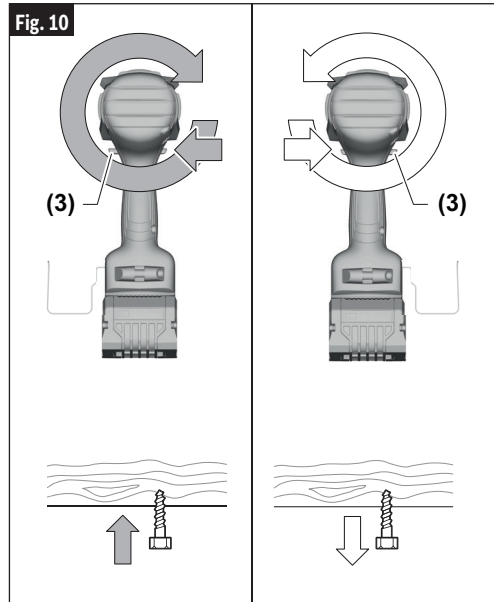
Votre outil est équipé d'un levier de marche avant/arrière et d'un verrouillage de gâchette (3) se trouvant au-dessus de la gâchette (Fig. 10). Ce levier a été conçu pour changer la rotation de la douille et pour verrouiller la gâchette dans une position d'arrêt (« OFF »).

Pour verrouiller la gâchette, déplacez le levier vers le centre.

Pour la rotation avant (le mandrin étant dirigé en sens opposé à vous), déplacez le levier à l'extrême gauche.

Pour la rotation inverse, déplacez le levier à l'extrême droite. Pour actionner le verrouillage de gâchette, déplacez le levier à la position centrale (arrêt).

Fig. 10



### Éclairage d'appoint intégré

Votre outil est muni d'un dispositif d'éclairage à DEL (13) pour améliorer la visibilité lorsque vous utilisez l'outil.

Après que la gâchette (8) aura été activée, la DEL restera allumée pendant 10 secondes. La durée de la luminescence résiduelle peut être changée dans le paramètre de l'appli « Bosch ToolBox » (si vous êtes connecté(e)).

### Conseils de fonctionnement

Vous prolongerez la durée de vos embouts et accomplirez un travail plus net si vous mettez toujours l'embout en contact avec le matériau avant d'appuyer sur la gâchette. Durant le fonctionnement, tenez l'outil fermement et exercez une pression légère et constante. Une trop grande pression à basse vitesse bloquera l'outil. Une pression insuffisante empêchera l'embout de couper et causera une friction excessive en glissant par-dessus la surface. L'outil et l'embout peuvent ainsi être abîmés.

### Enfoncement à vitesse variable

La technique consiste à commencer lentement, puis à augmenter la vitesse à mesure que la vis s'enfonce. Posez la vis de manière à obtenir un ajustement doux en ralentissant jusqu'à l'arrêt. Avant d'enfoncer des

## Consignes de fonctionnement

vis, il faut percer des trous de positionnement et de dégagement.

Tenez toujours l'outil droit sur le boulon qui doit être serré.

Il est préférable de procéder à un essai pour déterminer la durée appropriée de percussion/serrage. Pour les petites vis, la durée appropriée de percussion/serrage peut être atteinte en moins de 0,5 seconde. Par conséquent, travaillez à faible régime et éteignez l'outil immédiatement lorsque la vis est serrée et lorsque le bruit de l'impact peut être entendu.

Pour enfoncer des vis à bois plus grosses et plus longues dans des matériaux durs, il est préférable de prépercer.

### Couple de serrage

Le couple de serrage dépend de la durée de l'action de percussion/serrage. Le couple de serrage le plus élevé est obtenu après environ 6 à 10 secondes d'action de percussion/serrage.

L'augmentation du couple dépend des facteurs suivants:

- Dureté des boulons/écrous
- Type de rondelle (rondelle à disque, rondelle frein, joint)
- Dureté du matériau à réunir
- Effet de lubrification sur les surfaces de la jonction

Ceci nous amène aux cas d'application suivants :

**Application d'assemblage dur :** Jonction métal-métal à l'aide d'une rondelle à disque. Le couple maximum est atteint après une action relativement brève de percussion/serrage.

**Application d'assemblage intermédiaire :** Assemblage de métal sur métal lors de l'utilisation d'une rondelle élastique à ressort, d'une rondelle à ressort à disque, ou de goujons ou de boulons/écrous avec des sièges coniques.

**Application d'assemblage doux :** Jonction de métal à du bois ou à un matériau d'isolation, par exemple.

Pour les cas moyens ou doux de jonction, le couple de serrage maximal est inférieur à celui des cas durs. Par conséquent, une action plus longue de percussion/serrage est nécessaire pour obtenir le couple de serrage maximal.

### Sélection du mode de travail

L'outil électrique dispose de deux modes de travail prédéfinis : A et B (17). Vous pouvez également programmer des modes de travail pour différentes applications et ajuster les modes existants via la boîte à outils Bosch sous A et B.

Pour alterner entre les modes de travail A et B (17), appuyez sur le bouton de Mode (16).

Par défaut, le mode A est conçu pour les vis auto-perceuses. Le ralentissement automatique est activé à la fois dans le sens de la marche avant et dans le sens de la marche arrière.

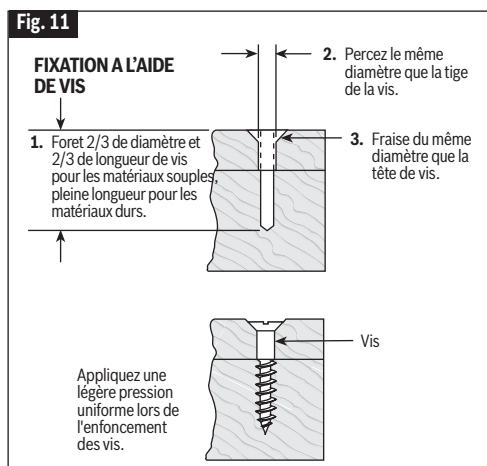
Par défaut, le mode B est conçu pour les vis à bois. Dans le sens de la marche, l'arrêt automatique est activé. Dans le sens inverse, l'arrêt automatique fonctionne comme le déverrouillage automatique des boulons pour le mode B par défaut.

**Remarque :** Un seul réglage ou mode peut être actif sur l'outil à la fois. 1, 2, 3, A ou B.

### Fixation à l'aide de vis

La procédure illustrée à la (Fig. 11) vous permettra de fixer des matériaux ensemble à l'aide de votre outil sans dénuder, fendre ni séparer le matériau.

Fixez d'abord les pièces ensemble à l'aide d'une bride, et percez le premier trou aux 2/3 du diamètre de la vis. Si le matériau est tendre, percez uniquement les 2/3 de



la longueur voulue. Si le matériau est dur, percez toute la longueur.

Détachez ensuite les pièces et percez le deuxième trou du même diamètre que la tige de la vis dans la première pièce ou la pièce supérieure de bois.

En troisième lieu, si une vis à tête plate est employée, fraisez le trou pour mettre la vis de niveau avec la surface. Puis, exercez tout simplement une pression uniforme en enfonçant la vis. Le trou de dégagement de la tige de la vis dans la première pièce permet à la tête de la vis de tirer les pièces fermement ensemble.

## Consignes de fonctionnement

### Serrage des écrous et des boulons

Utilisez la commande à vitesse variable avec prudence pour enfoncer des écrous et des boulons avec des douilles. La technique consiste à commencer lentement et à augmenter la vitesse dès que l'écrou ou le boulon commence à s'enfoncer. L'écrou ou le boulon est réglé lorsque l'outil s'arrête.

### Utilisation par temps froid (0° C / 32° F)

En raison de la lubrification utilisée dans le mécanisme de production d'un impact, il faut faire fonctionner l'outil à vide pendant trois minutes avant de s'en servir réellement. Ceci chauffera le lubrifiant et produira une meilleure performance.

### Interface utilisateur

#### Del d'indication d'état

La barre de DEL située en haut de l'interface utilisateur s'illumine de différentes couleurs pour aider l'utilisateur à identifier l'état de marche de l'outil. Lorsque le voyant indicateur d'état à DEL **(12)** est vert, l'outil et le bloc-piles fonctionnent normalement, et les températures sont correctes. Si l'indicateur passe au jaune, cela signifie que les températures de l'outil ou de la pile ont atteint un niveau élevé, et que l'utilisation de l'outil doit cesser pour permettre à l'outil de refroidir. Il est préférable de réduire la charge et de laisser à l'outil le temps de refroidir. Si l'indicateur devient rouge, l'outil s'éteint pour se protéger et/ou protéger le bloc-piles d'une situation de surchauffe.

Le voyant indicateur d'état à DEL **(12)** clignote également en bleu lorsque les boutons de réglage de la vitesse **(14)** ou de sélection du mode **(16)** sont maintenus enfoncés pendant 7 secondes. Ceci réinitialisera les paramètres de l'outil aux valeurs d'usine par défaut.

### Attache pour solive

**⚠ AVERTISSEMENT** Lorsque vous utilisez le crochet pour suspendre la scie, n'oubliez jamais que l'accessoire est exposé. Suspendez toujours l'outil à un endroit où vous ne risquez pas, et de quelconques autres personnes présentes ne risquent pas, d'entrer accidentellement en contact avec l'accessoire.

**⚠ AVERTISSEMENT** Pour réduire le risque de blessure, n'utilisez pas le crochet prévu pour la scie s'il semble endommagé ou déformé. Ceci risquerait de produire une surface de suspension instable qui pourrait causer la chute accidentelle de l'outil.

**⚠ AVERTISSEMENT** Pour réduire le risque de blessure, faites très attention quand vous sélectionnez l'endroit où vous suspendez l'outil.

L'attache pour solive (accessoire en option) **(4)** vous permettra d'attacher commodément votre outil à une solive ou à tout autre support pratique quand il n'est pas utilisé.

L'attache pour solive **(4)** peut être attachée à n'importe quel côté de l'outil en la sécurisant au moyen d'une vis de montage. Assurez-vous de toujours bien serrer la vis de montage avant toute utilisation (Fig.1).

- Sélectionnez un objet de taille et de forme appropriées qui permettra de suspendre l'outil de façon stable et adéquate. Une surface de suspension instable pourrait causer la chute accidentelle de l'outil.
- Assurez-vous que l'outil est accroché à un endroit qui n'est pas dans une zone de travail ou une voie de passage empruntée par diverses personnes. Un passant pourrait se cogner sur l'outil ou s'empêtrer dans le cordon d'alimentation électrique et causer ainsi sa chute accidentelle.

## Entretien

**⚠ AVERTISSEMENT** Pour éviter les accidents, débranchez toujours le bloc-piles de l'outil avant toute opération de maintenance ou de nettoyage.

### Service

**⚠ AVERTISSEMENT** IL N'EXISTE À L'INTÉRIEUR AUCUNE PIÈCE SUSCEPTIBLE D'ÊTRE ENTRETENUE PAR L'UTILISATEUR. L'entretien préventif exécuté par des personnes non autorisés peut entraîner un positionnement erroné des composants et des fils internes, ce qui peut présenter de graves dangers. Nous recommandons de confier toute intervention d'entretien sur l'outil à un centre de service-usine Bosch ou à un centre de service après-vente Bosch agréé.

### Piles

**Faire attention aux blocs-piles qui approchent la fin de leur vie.** Si vous remarquez une diminution dans les performances de votre outil ou une durée de fonctionnement réduite de manière significative entre charges, il est temps de remplacer le bloc-piles. S'il n'est pas remplacé, il se peut qu'il endommage le chargeur ou que l'outil fonctionne incorrectement.

### Lubrification de l'outil

Votre outil Bosch a été lubrifié correctement en usine et il est prêt à l'utilisation.

### Moteurs

Le moteur de votre outil a été conçu pour de nombreuses heures d'utilisation fiable. Pour maintenir l'efficacité maximale du moteur, nous recommandons de l'examiner tous les six mois. Seul un moteur de remplacement Bosch authentique, conçu spécialement pour votre outil, doit être utilisé.

### Nettoyage

**⚠ MISE EN GARDE** Certains agents de nettoyages et certains dissolvants abîment les pièces en plastique. Parmi ceux-ci se trouvent: l'essence, le tétrachlorure de carbone, les dissolvants de nettoyage chlorés, l'ammoniaque ainsi que les détergents domestiques qui en contiennent.

Les prises d'air et les leviers de commutation doivent être gardés propres et exempts de corps étrangers. Ne tentez pas de nettoyer en insérant des objets pointus à travers l'ouverture.

## Accessoires

**⚠ AVERTISSEMENT** L'utilisation d'autres accessoires non spécifiés dans ce mode d'emploi pourrait être dangereuse.

Ranger les accessoires dans un environnement sec et tempéré pour éviter les risques de corrosion et de détérioration.

Accessoires inclus	Disponibles séparément
- Attache pour solive	- Mallette de transport - Module de connectivité GCY42



## Símbolos de seguridad

Las definiciones que aparecen a continuación describen el nivel de gravedad de cada palabra de señal de seguridad. Por favor, lea el manual y preste atención a estos símbolos.

	Éste es el símbolo de alerta de seguridad. Se utiliza para alertarle a usted de posibles peligros de lesiones corporales. Obedezca todos los mensajes de seguridad que sigan a este símbolo para evitar posibles lesiones o muerte.
	PELIGRO indica una situación peligrosa que, si no se evita, causará la muerte o lesiones graves.
	ADVERTENCIA indica una situación peligrosa que, si no se evita, podría causar la muerte o lesiones graves.
	PRECAUCIÓN indica una situación peligrosa que, si no se evita, podría causar lesiones leves o moderadas.

## Advertencias generales de seguridad para herramientas mecánicas

**ADVERTENCIA** Lea todas las advertencias de seguridad, instrucciones, ilustraciones y especificaciones suministradas con esta herramienta eléctrica. Si no se siguen todas las instrucciones que se indican a continuación, es posible que el resultado sea descargas eléctricas, incendio y/o lesiones graves.

### GUARDE TODAS LAS ADVERTENCIAS E INSTRUCCIONES PARA REFERENCIA FUTURA

La expresión "herramienta mecánica" en las advertencias se refiere a su herramienta mecánica alimentada por la red eléctrica (herramienta alámbrica) o su herramienta mecánica alimentada por baterías (herramienta inalámbrica).

### 1. Seguridad del área de trabajo

- a. **Mantenga el área de trabajo limpia y bien iluminada.** Las áreas desordenadas u oscuras invitan a que se produzcan accidentes.
- b. **No utilice herramientas mecánicas en atmósferas explosivas, como por ejemplo en presencia de líquidos, gases o polvos inflamables.** Las herramientas mecánicas generan chispas que pueden incendiar el polvo o los vapores.
- c. **Mantenga alejados a los niños y a las personas que estén presentes mientras esté utilizando una herramienta mecánica.** Las distracciones pueden hacerle perder el control de la herramienta.
- d. **No maltrate el cordón de energía. No use nunca el cordón para transportar la herramienta mecánica, tirar de ella o desenchufarla. Mantenga el cordón alejado del calor, el aceite, los bordes afilados o las piezas móviles.** Los cordones dañados o enganchados aumentan el riesgo de que se produzcan sacudidas eléctricas.
- e. **Cuando utilice una herramienta mecánica en el exterior, use un cordón de extensión adecuado para uso a la intemperie.** La utilización de un cordón adecuado para uso a la intemperie reduce el riesgo de que se produzcan sacudidas eléctricas.
- f. **Si es inevitable utilizar una herramienta mecánica en un lugar húmedo, utilice una fuente de energía protegida por un interruptor de circuito accionado por corriente de pérdida a tierra (GFCI).** El uso de un GFCI reduce el riesgo de sacudidas eléctricas.

### 2. Seguridad eléctrica

- a. **Los enchufes de las herramientas mecánicas deben coincidir con el tomacorriente. No modifique nunca el enchufe de ningún modo. No use enchufes adaptadores con herramientas mecánicas conectadas a tierra (puestas a tierra).** Los enchufes no modificados y los tomacorrientes coincidentes reducirán el riesgo de sacudidas eléctricas.
- b. **Evite el contacto del cuerpo con las superficies conectadas o puestas a tierra, tales como tuberías,**



## Advertencias generales de seguridad para herramientas mecánicas

### 3. Seguridad personal

- a. **Manténgase alerta, fíjese en lo que está haciendo y use el sentido común cuando esté utilizando una herramienta mecánica. No use una herramienta mecánica cuando esté cansado o bajo la influencia de drogas, alcohol o medicamentos.** Un momento de distracción mientras esté utilizando herramientas mecánicas podría causar lesiones corporales graves.
- b. **Use equipo de protección personal. Use siempre protección de los ojos.** El equipo de protección, como por ejemplo una máscara antipolvo, calzado de seguridad antideslizante, casco o protección de oídos, utilizado para las condiciones apropiadas, reducirá las lesiones corporales.
- c. **Evite el arranque accidental. Asegúrese de que el interruptor esté en la posición de apagado antes de conectar la herramienta a la fuente de energía y / o al paquete de batería, levantar la herramienta o transportarla.** Transportar herramientas mecánicas con un dedo en el interruptor o encender herramientas mecánicas que tengan el interruptor en la posición de encendido invita a que se produzcan accidentes.
- d. **Quite todas las llaves de ajuste o de tuerca antes de encender la herramienta mecánica.** Una llave de tuerca o de ajuste que se deje colocada en una pieza giratoria de la herramienta mecánica podría causar lesiones corporales.
- e. **No intente alcanzar demasiado lejos. Mantenga un apoyo de los pies y un equilibrio apropiados en todo momento.** Esto permite controlar mejor la herramienta mecánica en situaciones inesperadas.
- f. **Vístase adecuadamente. No use ropa holgada ni alhajas holgadas. Mantenga el pelo, la ropa y los guantes alejados de las piezas móviles.** La ropa holgada, las alhajas holgadas o el pelo largo pueden quedar atrapados en las piezas móviles.
- g. **Si se proporcionan dispositivos para la conexión de instalaciones de extracción y recolección de polvo, asegúrese de que dichas instalaciones estén conectadas y se usen correctamente.** El uso de dispositivos de recolección de polvo puede reducir los peligros relacionados con el polvo.
- h. **No deje que la familiaridad obtenida con el uso frecuente de las herramientas le haga volverse complaciente e ignorar los principios de seguridad de las herramientas.** Una acción descuidada puede causar lesiones graves en una fracción de segundo.

### 4. Uso y cuidado de las herramientas mecánicas

- a. **No fuerce la herramienta mecánica. Use la herramienta mecánica correcta para la aplicación que desee realizar.** La herramienta mecánica correcta hará el trabajo mejor y con más seguridad a la capacidad nominal para la que fue diseñada.
- b. **No use la herramienta mecánica si el interruptor no la enciende y apaga.** Toda herramienta mecánica que no se pueda controlar con el interruptor es peligrosa y debe ser reparada.
- c. **Desconecte el enchufe de la fuente de alimentación y/o retire el paquete de batería de la herramienta eléctrica, si es extraíble, antes de hacer cualquier ajuste, cambiar accesorios o almacenar herramientas eléctricas.** Dichas medidas preventivas de seguridad reducen el riesgo de arrancar accidentalmente la herramienta mecánica.
- d. **Guarde las herramientas que no esté usando fuera del alcance de los niños y no deje que personas que no estén familiarizadas con la herramienta mecánica o con estas instrucciones utilicen la herramienta.** Las herramientas mecánicas son peligrosas en manos de usuarios que no hayan recibido capacitación.
- e. **Mantenga las herramientas eléctricas y sus accesorios. Compruebe si hay piezas móviles desalineadas o atoradas, si hay piezas rotas y cualquier otra situación que pueda afectar al funcionamiento de la herramienta eléctrica. Si la herramienta eléctrica está dañada, haga que sea reparada antes de utilizarla.** Muchos accidentes son causados por herramientas mecánicas mantenidas deficientemente.
- f. **Mantenga las herramientas de corte afiladas y limpias.** Es menos probable que las herramientas de corte mantenidas apropiadamente, con bordes de corte afilados, se atoren, y dichas herramientas son más fáciles de controlar.
- g. **Utilice la herramienta mecánica, los accesorios, las brocas de la herramienta, etc., de acuerdo con estas instrucciones, teniendo en cuenta las condiciones de trabajo y el trabajo que se vaya a realizar.** El uso de la herramienta mecánica para operaciones distintas a aquéllas para las que fue diseñada podría causar una situación peligrosa.
- h. **Mantenga secos, limpios y libres de aceite y grasa los mangos y las superficies de agarre.** Si están resbalosos, los mangos y las superficies de agarre no permiten un manejo y un control seguros de la herramienta en situaciones inesperadas.

## Advertencias generales de seguridad para herramientas mecánicas

### 5. Uso y cuidado de las herramientas alimentadas por baterías

- a. **Recargue las baterías solamente con el cargador especificado por el fabricante.** Un cargador que es adecuado para un tipo de paquete de batería puede crear un riesgo de incendio cuando se utiliza con otro paquete de batería.
- b. **Utilice las herramientas mecánicas solamente con paquetes de batería designados específicamente.** El uso de cualquier otro paquete de batería puede crear un riesgo de lesiones e incendio.
- c. **Cuando el paquete de batería no se esté usando, manténgalo alejado de otros objetos metálicos, tales como sujetapapeles, monedas, llaves, clavos, tornillos u otros objetos metálicos pequeños que pueden hacer una conexión de un terminal a otro.** Si se cortocircuitan los terminales de la batería uno con otro, se pueden causar quemaduras o un incendio.
- d. **En condiciones abusivas, es posible que se eyecte líquido de la batería. Evite el contacto. Si se produce un contacto accidental, enjuáguese con agua. Si el líquido entra en contacto con los ojos, obtenga además ayuda médica.** El líquido que salga eyectado de la batería puede causar irritación o quemaduras.
- e. **No utilice un paquete de batería o una herramienta que hayan sido dañados o modificados.** Es posible que las baterías dañadas o modificadas exhiban un

comportamiento impredecible que cause un incendio, una explosión o riesgo de lesiones.

- f. **No exponga un paquete de batería o una herramienta a un fuego o una temperatura excesiva.** Es posible que la exposición a un fuego o una temperatura superior a 265 °F cause una explosión.
- g. **Siga todas las instrucciones de carga y no cargue el paquete de batería ni la herramienta fuera del intervalo de temperatura especificado en las instrucciones.** Es posible que realizar una carga incorrectamente o a temperaturas que estén fuera del intervalo especificado dañe la batería y aumente el riesgo de incendio.

### 6. Servicio de ajustes y reparaciones

- a. **Haga que su herramienta mecánica reciba servicio de un técnico de reparaciones calificado, utilizando únicamente piezas de repuesto idénticas.** Esto asegurará que se mantenga la seguridad de la herramienta mecánica.
- b. **No haga nunca servicio de ajustes y reparaciones de paquetes de batería dañados.** El servicio de ajustes y reparaciones de los paquetes de batería deberá ser realizado únicamente por el fabricante o por proveedores de servicio autorizados.



## Normas de seguridad para llaves de impacto inalámbricas

- a. **Agarre la herramienta eléctrica por las superficies de agarre con aislamiento cuando realice una operación en la que el sujetador pueda entrar en contacto con cables ocultos.** Es posible que los sujetadores que entren en contacto con un cable con corriente hagan que las partes metálicas de la herramienta eléctrica que están al descubierto lleven corriente y podrían causar una descarga eléctrica al operador.
- b. **Use abrazaderas u otro modo práctico de sujetar y soportar la pieza de trabajo en una plataforma estable.** Si se sujeta la pieza de trabajo con la mano o contra el cuerpo, se crea una situación inestable que podría causar pérdida de control.
- c. **No apriete elementos de sujeción en paredes existentes u otras áreas ciegas en las que es posible que haya cables eléctricos.** Si esta situación es inevitable, desconecte todos los fusibles o cortacircuitos que alimentan este sitio de trabajo.
- d. **Utilice únicamente bocallaves diseñadas para atornilladores de percusión eléctricos.** Es posible que las bocallaves diseñadas para uso manual se rompan bajo la carga que esta herramienta genera.
- e. **Asegúrese de asentar de manera completa y segura la bocallave en el accionador de salida.**
- f. **No utilice bocallaves desgastadas o dañadas.**
- g. **Seleccione las bocallaves de tamaño correcto y mantenga limpio el interior de dichas bocallaves.**
- h. **No deje que un sujetador flojo gire libremente dentro de la bocallave. Es posible que el elemento de sujeción sea lanzado fuera de la bocallave.**
- i. **Use guantes con almohadillado grueso y limite el tiempo de exposición tomando frecuentes períodos de descanso.** Es posible que la vibración causada por la acción del atornillador de percusión sea perjudicial para las manos y los brazos.
- j. **Quite el paquete de baterías antes de cambiar accesorios.** Puede producirse un arranque accidental debido a que los electrodomésticos accionados por baterías que tengan una batería introducida estén en la situación operativa.
- k. **Esté preparado para un par de torsión de reacción cuando "asiente" o quite un elemento de sujeción.** Es posible que la carcasa de la herramienta tienda a torcerse en sentido contrario al de rotación del accesorio al "asentar" o retirar un elemento de sujeción, dependiendo del ajuste de fuerza de torsión de la herramienta.
- l. **No haga funcionar la herramienta mientras la lleva a su lado.** El accionador que rota podría engancharse con la ropa y es posible que el resultado sea lesiones.
- m. **Coloque la herramienta sobre el elemento de sujeción solo cuando esté apagada.** Las herramientas destornilladoras que giran pueden deslizarse separándose del elemento de sujeción.

## Advertencias de seguridad adicionales

- a. Un GFCI y los dispositivos de protección personal, como guantes de goma y calzado de goma de electricista, mejorarán más su seguridad personal.
- b. **Desarrolle un programa de mantenimiento periódico de la herramienta. Cuando limpie una herramienta, tenga cuidado de no desmontar ninguna de sus partes, ya que los cables internos podrían reubicarse incorrectamente o pellizcarse, o los resortes de retorno de los protectores de seguridad podrían mampostarse incorrectamente.** Ciertos agentes de limpieza, tales como gasolina, tetracloruro de carbono, amoníaco, etc., podrían dañar las piezas de plástico.
- c. **Asegúrese de que el interruptor esté en la posición de apagado antes de introducir el paquete de batería.** Si se introduce el paquete de batería en herramientas mecánicas que tengan el interruptor en la posición de encendido, se invita a que se produzcan accidentes.





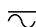


**⚠ ADVERTENCIA** Cierta polvo generado por el lijado, aserrado, amolado y taladrado mecánicos, y por otras actividades de construcción, contiene agentes químicos que se sabe que causan cáncer, defectos de nacimiento u otros daños sobre la reproducción. Algunos ejemplos de estos agentes químicos son:

- Plomo de pinturas a base de plomo,
- Sílice cristalina de ladrillos y cemento y otros productos de mampostería, y
- Arsénico y cromo de madera tratada químicamente.

Su riesgo por causa de estas exposiciones varía, dependiendo de con cuánta frecuencia realice este tipo de trabajo. Para reducir su exposición a estos agentes químicos: trabaje en un área bien ventilada y trabaje con equipo de seguridad aprobado, como por ejemplo máscaras antipolvo que estén diseñadas especialmente para impedir mediante filtración el paso de partículas microscópicas.

## Símbolos

**Importante:** Es posible que algunos de los símbolos siguientes se usen en su herramienta. Por favor, estúdielos y aprenda su significado. La interpretación adecuada de estos símbolos le permitirá utilizar la herramienta mejor y con más seguridad.

Símbolo	Désignación / Explicación
V	Volt (tensión)
Ah	Amperios-hora (medición de la capacidad de la batería)
A	Ampere (corriente)
Hz	Hertz (frecuencia, ciclos por segundo)
W	Watt (potencia)
kg	Kilogramo (peso)
min	Minuto (tiempo)
s	Segundo (tiempo)
∅	Diámetro (tamaño de las brocas taladradoras, muelas, etc)
$n_0$	Velocidad sin carga (velocidad rotacional sin carga)
n	Velocidad nominal (máxima velocidad obtenible)
.../min	Revoluciones o alternación por minuto (revoluciones, golpes, velocidad de superficie, órbitas, etc., por minuto)
0	Posición "off" (velocidad cero, par motor cero...)
1, 2, 3, ... I, II, III,	Graduaciones del selector (graduaciones de velocidad, par motor o posición. Un número más alto significa mayor velocidad)
	Selector infinitamente variable con apagado (la velocidad aumenta desde la graduación de 0)
	Flecha (Acción en la dirección de la flecha)
	Corriente alterna (tipo o una característica de corriente)
	Corriente continua (tipo o una característica de corriente)
	Corriente alterna o continua (tipo o una característica de corriente)
	Construcción de clase II (designa las herramientas de construcción con aislamiento doble)
	Terminal de toma de tierra (terminal de conexión a tierra)

## Símbolos

**Importante:** Es posible que algunos de los símbolos siguientes se usen en su herramienta. Por favor, estúdielos y aprenda su significado. La interpretación adecuada de estos símbolos le permitirá utilizar la herramienta mejor y con más seguridad.

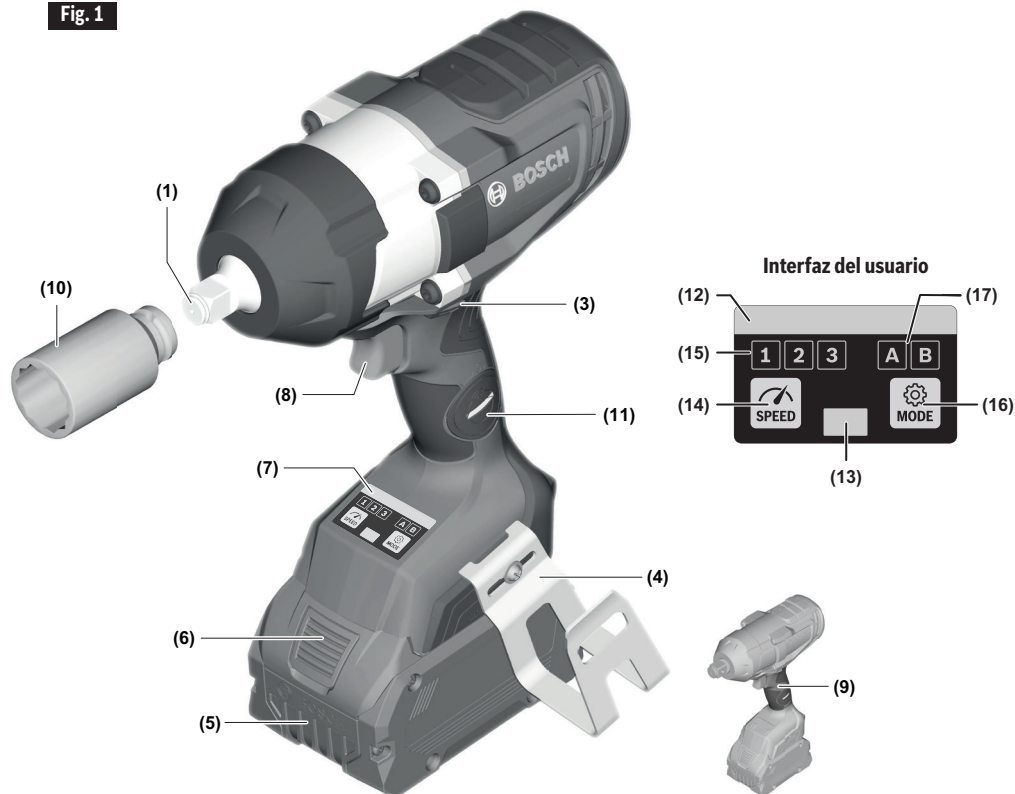
Símbolo	Désignación / Explicación
	Alerta al usuario para que lea el manual.
	Alerta al usuario para que use protección de los ojos.
	Alerta al usuario para que use protección respiratoria
	Alerta al usuario para que use protección de la audición
	Alerta al usuario para que use protección de los ojos, respiratoria y de la audición.
	Este símbolo indica que esta herramienta está catalogada por Underwriters Laboratories.
	Este símbolo indica que Underwriters Laboratories ha catalogado esta herramienta indicando que cumple con las normas estadounidenses y canadienses.
	Este símbolo indica que esta herramienta está catalogada por la Canadian Standards Association.
	Este símbolo indica que la Canadian Standards Association ha catalogado esta herramienta indicando que cumple con las normas estadounidenses y canadienses.
	Este símbolo indica que Intertek Testing Services ha catalogado esta herramienta indicando que cumple con las normas estadounidenses y canadienses.
	Designa el programa de reciclaje de baterías de Li-ion.

## Descripción funcional y especificaciones

**⚠ ADVERTENCIA** Desconecte el paquete de batería de la herramienta antes de realizar cualquier ensamblaje, ajuste o cambio de accesorios. Dichas medidas preventivas de seguridad reducen el riesgo de arrancar la herramienta accidentalmente.

### Llave de impacto inalámbrica GDS18V-740C

Fig. 1



- (1) Accionador de salida
- (3) Conmutador del sentido de rotación
- (4) Colgador para vigas
- (5) Batería\*
- (6) Botón de liberación de la batería\*
- (7) Interfaz del usuario
- (8) Interruptor gatillo de velocidad variable
- (9) Mango (superficie de agarre con aislamiento)
- (10) Bocallave\*
- (11) Compartimiento del módulo de conectividad

- (12) Luz LED indicadora de estado
- (13) Luz de trabajo
- (14) Botón de preselección de velocidad
- (15) Indicador del nivel de preselección de velocidad
- (16) Botón de modo (Mode)
- (17) Indicador de selección de modo

\* Los accesorios mostrados o descritos no se incluyen con el producto como estándar. Puede encontrar la selección completa de accesorios en nuestra gama de accesorios.

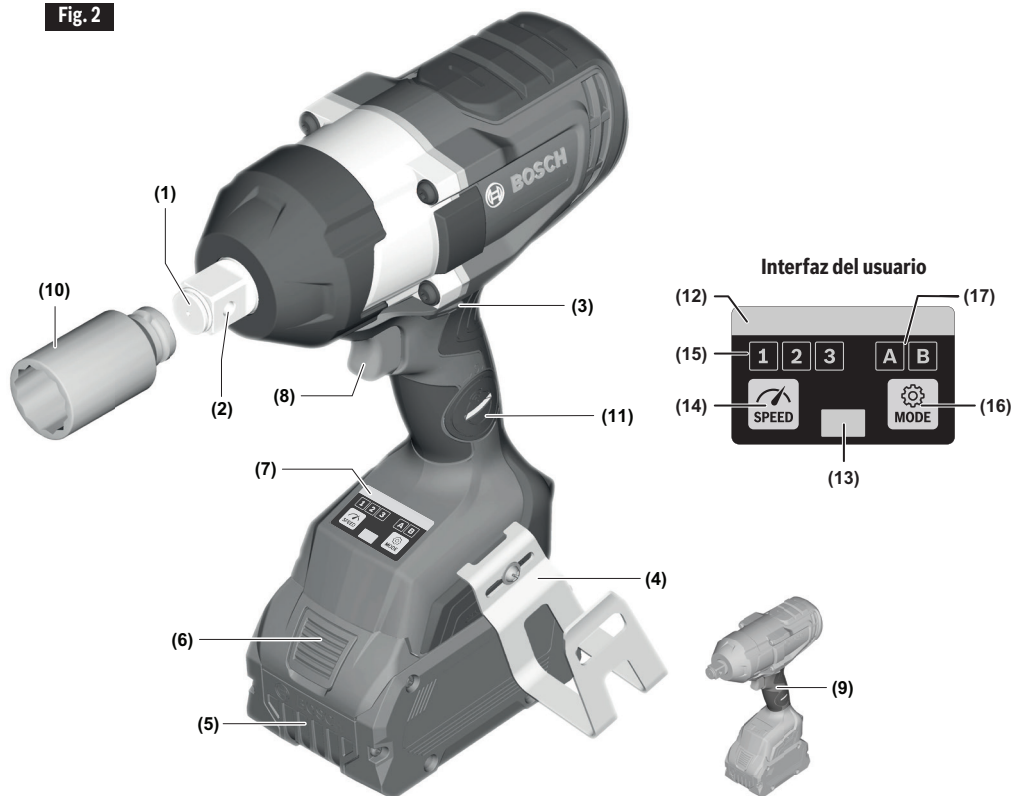
#### Interfaz del usuario

## Descripción funcional y especificaciones

**⚠ ADVERTENCIA** Desconecte el paquete de batería de la herramienta antes de realizar cualquier ensamblaje, ajuste o cambio de accesorios. Dichas medidas preventivas de seguridad reducen el riesgo de arrancar la herramienta accidentalmente.

### Llave de impacto inalámbrica GDS18V-770C

Fig. 2



- (1) Accionador de salida
- (2) Agujero pasante (GDS18V-770C)
- (3) Conmutador del sentido de rotación
- (4) Colgador para vigas
- (5) Batería\*
- (6) Botón de liberación de la batería\*
- (7) Interfaz del usuario
- (8) Interruptor gatillo de velocidad variable
- (9) Mango (superficie de agarre con aislamiento)
- (10) Bocallave\*
- (11) Compartimento del módulo de conectividad

#### Interfaz del usuario

- (12) Luz LED indicadora de estado
- (13) Luz de trabajo
- (14) Botón de preselección de velocidad
- (15) Indicador del nivel de preselección de velocidad
- (16) Botón de modo (Mode)
- (17) Indicador de selección de modo

\* Los accesorios mostrados o descritos no se incluyen con el producto como estándar. Puede encontrar la selección completa de accesorios en nuestra gama de accesorios.

## Descripción funcional y especificaciones

Llave de impacto	GDS18V-740C	GDS18V-770C
Tensión	18V	18V
Velocidad sin carga		
– Ajuste 1	0–800 RPM	0–800 RPM
– Ajuste 2	0–1300 RPM	0–1300 RPM
– Ajuste 3	0–1750 RPM	0–1750 RPM
Frecuencia de impactos		
– Ajuste 1	0–1600 IPM	0–1600 IPM
– Ajuste 2	0–2300 IPM	0–2300 IPM
– Ajuste 3	0–2600 IPM	0–2600 IPM
Par motor máximo		
– Ajuste 1	260 Ft-lbs	260 Ft-lbs
– Ajuste 2	480 Ft-lbs	480 Ft-lbs
– Ajuste 3	740 Ft-lbs	770 Ft-lbs
Fuerza de torsión de rotura máx	1180 Ft-lbs	1250 Ft-lbs
Accionador de salida	Accionador cuadrado de 1/2 pulgada con anillo de fricción	Accionador cuadrado de 3/4 pulgada con anillo de fricción y agujero pasante
Peso de la herramienta solamente	6.4 lbs	6.4 lbs
Temperatura permitida de la batería durante el proceso de carga	+32...+113°F (0...+45C)	+32...+113°F (0...+45C)
Temperatura ambiente permitida durante la utilización y el almacenamiento	-4...+122°F (-20...+50C)	-4...+122°F (-20...+50C)
Temperatura ambiente recomendada durante el proceso de carga	+32...+95°F (0...+35°C)	+32...+95°F (0...+35°C)
<b>Transmisión de datos (GCY42 instalado)</b>		
Bluetooth®	Bluetooth® 4.1 (baja energía) <sup>A</sup>	Bluetooth® 4.1 (baja energía) <sup>A</sup>
Intervalle entre signaux, approx.	8s	8s
Plage des signaux	98 pies máximo <sup>B</sup>	98 pies máximo <sup>B</sup>

Optimizado para la AMPShare con rendimiento máximo desde  $\geq 8$  Ah

<sup>A</sup> Los dispositivos de terminal móvil deben ser compatibles con los dispositivos de baja energía Bluetooth® (versión 4.1) y admitir el perfil de acceso genérico (PAG).

<sup>B</sup> El alcance de la señal podrá variar enormemente dependiendo de las condiciones externas. El alcance de Bluetooth® podrá ser significativamente más débil dentro de cuartos cerrados y a través de barreras metálicas (p. ej., paredes, estanterías, librerías, etc.).

### Paquetes de batería/Cargadores de baterías:

Sírvase consultar la lista de baterías/cargadores incluidas con su herramienta.

**NOTA:** Para obtener las especificaciones de la herramienta, consulte la placa del fabricante colocada en la herramienta.

## Ensamblaje

**⚠ ADVERTENCIA** Desconecte el paquete de batería de la herramienta antes de realizar cualquier ensamblaje, ajuste o cambio de accesorios. Dichas medidas preventivas de seguridad reducen el riesgo de arrancar la herramienta accidentalmente.

### Introducción y suelta del paquete de baterías

Ajuste la palanca de avance/inversión (3) en el centro (posición bloqueada). Deslice el paquete de batería cargado (5) hacia el interior de la carcasa hasta que dicho paquete quede fijo en la posición correcta (Fig. 3).

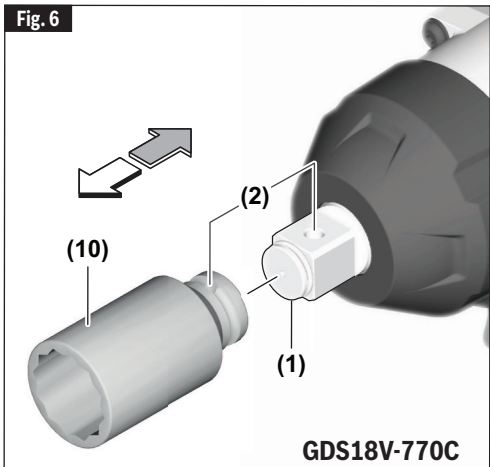
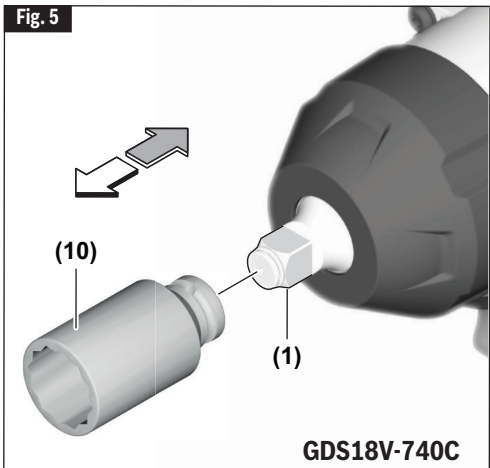
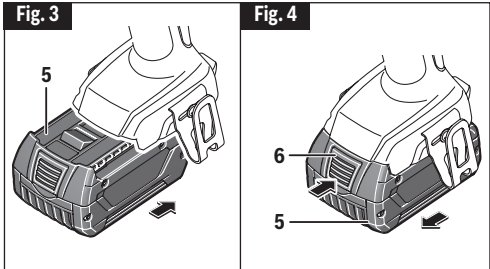
La herramienta está equipada con un pestillo de fijación secundario para impedir que el paquete de batería se caiga completamente del mango, en caso de que se afloje debido a la vibración.

Para retirar el paquete de batería, presione el botón de liberación del paquete de batería (6) y deslice el paquete de batería (5) completamente hacia fuera de la carcasa de la herramienta (Fig. 4).

### Inserción y remoción de accesorios

Instale únicamente accesorios de alta calidad listos para percusión con el accionador cuadrado de tamaño adecuado diseñado para utilizarse con atornilladores de percusión. Para instalar una bocallave (10), simplemente empújela completamente sobre el accionador de salida 1 (Fig. 5, 6).

El agujero pasante (2) permite una retención más segura de la bocallave a través de una bocallave compatible y el uso del pasador y el anillo accesorios o el retenedor de una pieza. Siga las recomendaciones del fabricante del dispositivo de retención de accesorios para el uso del agujero pasante.



## Ensamblaje

### Instalación del módulo de conectividad GCY42

**⚠ ADVERTENCIA** Para reducir el riesgo de lesiones, lea las instrucciones de utilización incluidas con el módulo de conectividad Bosch GCY42. Las instrucciones de utilización del módulo de conectividad GCY30-4 incluyen información importante que no se cubre en este manual.

**⚠ ADVERTENCIA** Utilice únicamente una batería de litio de 3 V tipo botón/moneda CR2032. No use ninguna otra batería tipo botón/moneda ni otras formas de alimentación eléctrica.

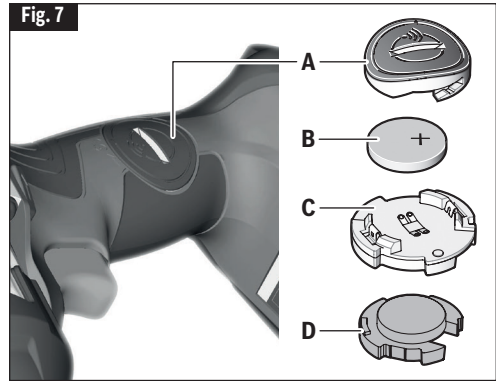
**⚠ ADVERTENCIA** Asegúrese de que el reemplazo de la batería se realice correctamente. Hay un riesgo de explosión.

**⚠ AVERTISSEMENT** Peligro de quemaduras químicas. Mantenga las baterías alejadas de los niños. Este producto contiene una batería de litio tipo botón/moneda. Si una batería de litio tipo botón/moneda nueva o usada se traga o entra en el cuerpo, puede causar quemaduras internas graves y puede provocar la muerte en tan poco tiempo como 2 horas. Si cree que es posible que alguien haya tragado o puesto dentro de cualquier parte del cuerpo una batería, obtenga atención médica de inmediato.

**⚠ AVERTISSEMENT** Cierre siempre firmemente el compartimiento del módulo de conectividad. Si el compartimiento del módulo de conectividad no se cierra firmemente, deje de usar el producto, retire la batería y manténgala alejada de los niños.

**⚠ AVERTISSEMENT** Cuando deseché baterías, aisle los terminales “+” y “-” con cinta aislante. Cuando las baterías de litio se desechan incorrectamente, es posible que cortocircuiten, lo cual hará que se calienten, revienten o se prendan fuego.

**⚠ AVERTISSEMENT** No deseché nunca las baterías en un fuego ni las exponga a calor elevado. Es posible que las baterías exploten.



Si el módulo de conectividad GCY42 no se compra con la herramienta, o si se hace necesario reemplazar el módulo o la batería, por favor, siga este procedimiento (vea la Fig. 7):

- Utilizando un destornillador plano o una moneda, retire la cubierta (A) del lado del mango, girándola 1/4 de vuelta en sentido contrario al de las agujas del reloj.
- Si la herramienta ya está equipada con el módulo de conectividad, retire la batería (B), pero no retire el módulo de conectividad (C).
- Si el módulo de conectividad se instala por primera vez, retire el marcador de posición de plástico (D) del compartimiento del módulo de conectividad y coloque el módulo de conectividad (C) en el compartimiento, prestando atención a la orientación correcta. **Nota:** Guarde el marcador de posición (D) en un lugar seguro. Reinserte de nuevo el marcador de posición si se retira el módulo de comunicaciones.
- Seguidamente, coloque la batería nueva (B) en la parte de arriba del módulo de conectividad con la polaridad “+” orientada hacia arriba.
- Coloque la cubierta (A) sobre la batería y gírela ¼ de vuelta en el sentido de las agujas del reloj utilizando un destornillador plano o una moneda.



## Conectividad

**⚠️ AVERTISSEMENT** Para reducir el riesgo de lesiones, lea las instrucciones de utilización incluidas con el módulo de conectividad Bosch GCY42. Las instrucciones de utilización del módulo de conectividad GCY30-4 incluyen información importante que no está cubierta en este manual.

### Bluetooth®

**⚠️ AVERTISSEMENT** No utilice la herramienta eléctrica con Bluetooth® en las proximidades de estaciones de gasolina, plantas químicas, áreas en las que exista peligro de explosión y áreas sujetas a voladuras. No utilice la herramienta eléctrica con Bluetooth® en aviones. No utilice la herramienta eléctrica con Bluetooth® en las inmediaciones de dispositivos médicos. Evite utilizarla en las inmediaciones directas del cuerpo humano durante períodos de tiempo prolongados. Cuando utilice la herramienta eléctrica con Bluetooth®, es posible que ocurra interferencia con otros dispositivos y sistemas, aviones y dispositivos médicos (p. ej., marcapasos cardíacos o audífonos).

La marca denominativa y los logotipos de Bluetooth® son marcas registradas pertenecientes a Bluetooth SIG, Inc., y cualquier uso de dichas marcas por Robert Bosch Tool Corporation es bajo licencia.

**⚠️ ADVERTENCIA** Siga todas las instrucciones y advertencias suministradas por el fabricante de su dispositivo Bluetooth®. Si no se siguen los procedimientos recomendados, el resultado podría ser lesiones corporales o daños materiales.

**⚠️ ADVERTENCIA** Tenga precaución extrema cuando esté utilizando dispositivos Bluetooth® para controlar o cambiar las funciones de la herramienta eléctrica. Es posible que la utilización del dispositivo sea en un área distinta a la de la herramienta eléctrica apareada. Puede que los dispositivos apareados tengan funcionalidad que permita la programación de eventos temporizados, incluyendo encendido automático (p. ej., un reflector). Dependiendo de la herramienta eléctrica, estas operaciones o cambios de función desatendidos sin línea de visión directa a la herramienta eléctrica apareada podrían causar lesiones corporales o daños materiales.

**⚠️ PRECAUCIÓN** Compruebe siempre la configuración de la herramienta antes de utilizarla. Es posible que la configuración sea distinta que cuando la herramienta se utilizó por última vez. El módulo de conectividad permite transferir los datos y la configuración basándose en la tecnología inalámbrica Bluetooth®. Con el módulo instalado, ciertos ajustes selectos de la herramienta podrán ser cambiados remotamente por un dispositivo Bluetooth® apareado y una aplicación instalada por el usuario.

**⚠️ PRECAUCIÓN** El módulo de conectividad GCY42 está equipado con una interfaz de radio. Se deberán acatar las restricciones de utilización locales, p. ej., bases militares u hospitalares. Los transmisores han demostrado capacidad para interferir accidentalmente con otros dispositivos.

### Piense en la seguridad

LA SEGURIDAD ES UNA COMBINACIÓN DE SENTIDO COMÚN Y ALERTA POR PARTE DEL OPERADOR EN TODO MOMENTO CUANDO SE ESTÉ USANDO LA HERRAMIENTA.

### Precaución de la FCC

El fabricante no es responsable de la interferencia radioeléctrica causada por modificaciones no autorizadas a este equipo. Dichas modificaciones podrían anular la autoridad del usuario para utilizar el equipo.

Este dispositivo cumple con la Parte 15 de las Reglas de la FCC. Su funcionamiento está sujeto a las dos condiciones siguientes:

- 1) Este dispositivo no podrá causar interferencia perjudicial y
- 2) Este dispositivo debe aceptar cualquier interferencia recibida, incluyendo interferencia que pueda causar un funcionamiento no deseado.

**¡NOTA!** Este equipo ha sido sometido a pruebas y se ha comprobado que cumple con los límites para dispositivos digitales de Clase B, conforme a la Parte 15 de las reglas de la FCC. Estos límites están diseñados para proporcionar una protección razonable contra la interferencia perjudicial en una instalación residencial. Este equipo genera, utiliza y puede emitir energía de radiofrecuencia y, si no se instala y utiliza de acuerdo con las instrucciones, es posible que cause interferencia perjudicial para las radiocomunicaciones. Sin embargo, no hay garantía de que no vaya a ocurrir interferencia en una instalación específica. Si este equipo causa interferencia perjudicial para la recepción de radio o televisión, lo cual se puede determinar apagando y encendiendo el equipo, se insta al usuario a intentar corregir la interferencia mediante una o más de las siguientes medidas:

- Reoriente o reubique la antena receptora.
- Aumente la separación entre el equipo y el receptor.
- Conecte el equipo en un tomacorriente de un circuito distinto al circuito al cual el receptor está conectado.

## Conectividad

- Consulte al distribuidor o a un técnico de radio/TV que tenga experiencia para obtener ayuda.

“Exposición a señales de radiofrecuencia (RF): El dispositivo inalámbrico es un radiotransmisor y radioreceptor. Está diseñado y fabricado para no exceder el límite de emisiones para la exposición a energía de radiofrecuencia (RF) establecido por el Ministerio de Salud (Canadá), Código de Seguridad 6. Estos límites son parte de las directrices exhaustivas y los niveles de energía de RF permitidos que se han establecido para la población general.

Estas directrices se basan en los estándares de seguridad establecidos previamente por los organismos de estándares internacionales. Estos estándares incluyen un margen de seguridad sustancial diseñado para garantizar la seguridad de todas las personas, independientemente de su edad o salud.

Este dispositivo y su antena no deben estar cubiertos ni funcionando en combinación con ninguna otra antena o transmisor.

### Industry Canada

Este dispositivo cumple con el estándar o los estándares RSS exentos de licencia de Industry Canada. Su utilización está sujeta a las dos condiciones siguientes:

- (1) este dispositivo no podrá causar interferencia y
- (2) este dispositivo debe aceptar cualquier interferencia, incluyendo interferencia que pueda causar un funcionamiento no deseado del dispositivo.

### Utilización de la aplicación “Bosch Toolbox”

Después de aparear su herramienta con un dispositivo móvil, puede ajustar ciertas funciones o comprobar el estado de la herramienta eléctrica utilizando la aplicación Bosch Toolbox.

Cada vez que cambie cualquier ajuste, la herramienta confirmará los cambios mediante el parpadeo de la luz LED indicadora de estado **(12)** azul.

- A. Botón de ayuda:** Al presionar suavemente este botón aparecerá la pantalla de ayuda.
- B. Foto de la herramienta:** Al presionar suavemente en la foto usted podrá personalizar la fotografía de la herramienta.
- C. Estado de carga de la batería de la herramienta eléctrica:** El número de “baterías” verdes indica el nivel de carga estimado del paquete de batería. Nota: Es posible que el número de “baterías” del indicador no sea igual al número de luces LED del indicador de carga de la batería.
- D. Apodo de la herramienta eléctrica:** Al golpear suavemente en el ícono de “lápiz” se le permitirá personalizar el apodo de la herramienta. También podrá hacerlo cuando cambie la foto de la herramienta.
- E. Barra de estado de conexión:** Aquí usted puede ver la fuerza de (la señal de) conexión indicada por barras verticales. Puede usar el interruptor basculante para desconectar la herramienta de su dispositivo móvil.
- F. Modos asignados:** Le permiten a usted definir dos modos de funcionamiento (A y B), especificando opciones tales como apagado automático, reducción automática de la velocidad y sentido de rotación para cada modo.
- G. Ajuste de las RPM:** Le permite a usted seleccionar la velocidad de rotación.
- H. Arranque suave:** Permite aumentar gradualmente la velocidad de la herramienta.
- I. Luz de trabajo:** Le permite a usted ajustar la intensidad y la luminosidad remanente de la luz de trabajo.
- J. Interfaz del usuario:** Le permite a usted ajustar el brillo y la luminosidad remanente de la interfaz del usuario.
- K. Restablecer valores de fábrica:** Devuelve la herramienta a su configuración original.

## Conectividad

- L. Alertas de la herramienta:** Al presionar suavemente el “triángulo de alertas” se mostrará cualquier alerta recibida de la herramienta.
- M. Botón de información:** Muestra la información y las especificaciones de la herramienta.
- N. Nombre de la herramienta:** Al presionar esto suavemente se muestran el modelo de la herramienta, su número de serie, su fecha de fabricación y el número de la herramienta básica.
- O. Registre la herramienta:** Al presionar esto suavemente se registra la herramienta.
- P. Especificaciones de la herramienta:** Al presionar esto suavemente se muestran la tensión de la

herramienta, su fuerza de torsión máxima, su velocidad sin carga, su frecuencia de impacto, su tipo de accionador/portabroca, la longitud de su cabeza y su peso (excluyendo la batería).

- Q. Información sobre el uso de la herramienta:** Al presionar esto suavemente se muestra el tiempo de funcionamiento de la herramienta.

- R. Módulo de baja energía Bluetooth:** Al presionar esto suavemente se muestran el nombre del módulo Bluetooth, la versión de firmware y si el

**Nota:** Consulte la pantalla de Ayuda de la app (A) para obtener más información sobre las funciones, los modos y los ajustes de conectividad.

Fig. 8

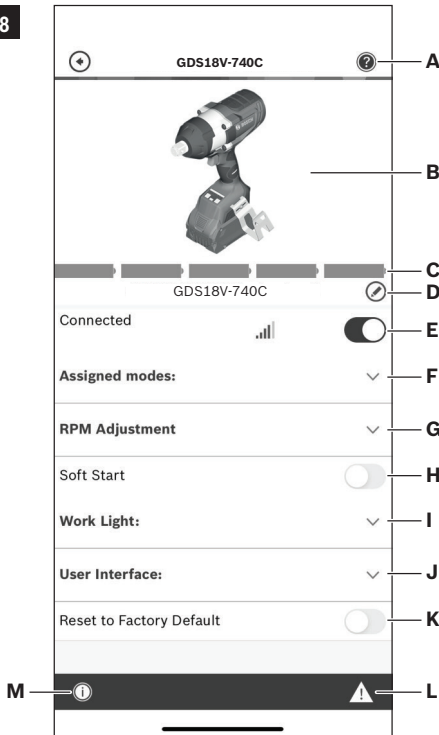
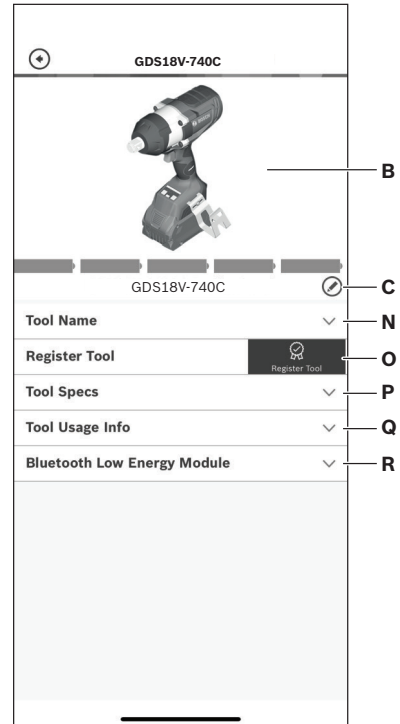


Fig. 9



## Instrucciones de funcionamiento

### USO PREVISTO

**⚠ PRECAUCIÓN** Esta herramienta está diseñada para apretar y aflojar pernos, tuercas y diversos elementos de sujeción roscados. Esta herramienta no está diseñada para utilizarse como un taladro.

### Interruptor gatillo de velocidad variable controlada

La herramienta está provista de un interruptor gatillo de velocidad variable. La herramienta se puede encender (posición "ON") o apagar (posición "OFF") al apretar o soltar el gatillo. La velocidad se puede ajustar desde el valor mínimo hasta el máximo de las RPM nominales mediante la presión ejercida sobre el gatillo. Ejercer más presión para aumentar la velocidad y disminuir la presión para reducir la velocidad (Fig. 1).

### Freno

Cuando se suelta el interruptor gatillo, éste activa el freno para detener el mandril rápidamente. Esto es especialmente útil para apretar y remover tornillos repetidamente.

### Palanca de avance/inversión y cierre del gatillo

**⚠ ADVERTENCIA** Después de utilizar la herramienta, fije el gatillo en la posición de apagado ("OFF") para ayudar a evitar los arranques accidentales y la descarga accidental de las baterías.

**⚠ PRECAUCIÓN** No cambie el sentido de giro hasta que la herramienta se haya detenido por completo. El cambio durante el giro del mandril puede causar daños a la herramienta.

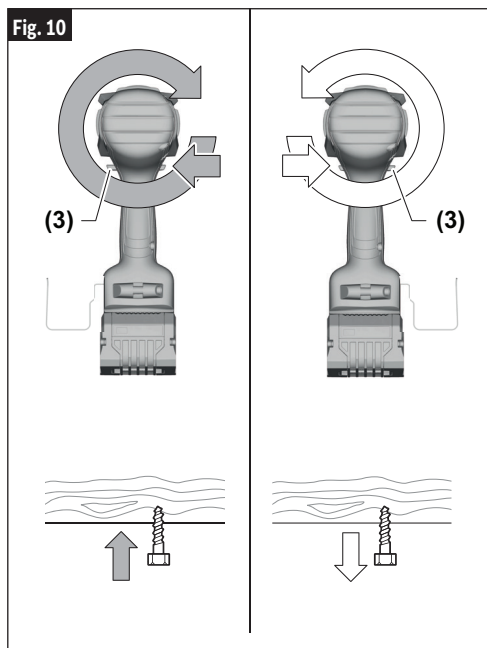
La herramienta está equipada con una palanca de avance/inversión y un cierre del gatillo (3) con ubicación encima del gatillo (Fig. 10). Esta palanca fue diseñada para cambiar la rotación de la bocallave y para bloquear el gatillo en la posición de "APAGADO".

Para bloquear el gatillo, mueva la palanca hasta el centro.

Para la rotación de "Avance" (con el mandril orientado en sentido opuesto a usted), mueva la palanca completamente hacia la izquierda.

Para la rotación inversa, mueva la palanca completamente hacia la derecha. Para activar el cierre del gatillo, mueva la palanca hasta la posición central "OFF".

Fig. 10



### Luz de trabajo incorporada

Su herramienta está equipada con una luz LED (13) para brindar mejor visibilidad cuando se utiliza la herramienta.

Después de activar el gatillo (8), la luz LED permanecerá encendida durante 10 segundos. El período de tiempo de luminosidad remanente se puede cambiar en la configuración de la aplicación "Bosch ToolBox" (si está conectada).

### Consejos de funcionamiento

Usted prolongará la vida de las brocas y realizará un trabajo mejor ejecutado si siempre pone la broca en contacto con la pieza de trabajo antes de apretar el gatillo. Durante el funcionamiento, sujete firmemente la herramienta y ejerza una presión ligera y uniforme. Una presión excesiva a baja velocidad hará que la herramienta se detenga. Una presión demasiado pequeña no permitirá que la broca corte y producirá un exceso de fricción al patinar sobre la superficie. Esto puede ser perjudicial tanto para la herramienta como para la broca.

## Instrucciones de funcionamiento

### Apriete de tornillos con velocidad variable

La técnica consiste en empezar despacio, aumentando la velocidad a medida que el tornillo avanza. Coloque el tornillo de manera que ajuste perfectamente mediante la disminución de la velocidad hasta detenerse. Antes de apretar los tornillos, se deben taladrar agujeros piloto y de paso.

Agarre siempre la herramienta en línea recta sobre el perno que se vaya a apretar.

Sujete siempre la maquina en posición vertical sobre el perno que se va a apretar.

El mejor método para determinar la duración adecuada de percusión/apriete es mediante una prueba. Para tornillos pequeños, la duración adecuada de percusión/apriete se puede alcanzar en menos de 0.5 segundos. Por lo tanto, trabaje con RPM bajas y apague inmediatamente la herramienta cuando el tornillo esté apretado y se pueda escuchar el sonido de los impactos.

Para atornillar tornillos para madera más grandes y largos en material duro, el mejor método consiste en hacer un agujero con antelación.

### Par motor de apriete

El par motor de apriete depende de la duración de la acción de percusión/apriete. El mayor par motor de apriete se alcanza después de aproximadamente 6 a 10 segundos de acción de percusión/apriete.

El aumento de par motor depende de los siguientes factores:

- Dureza de los pernos/tuercas.
- Tipo de arandela (arandela de disco, arandela elástica, junta de estanqueidad).
- Dureza del material que se va a unir.
- Efecto de la lubricación en las superficies de la unión.

Esto lleva a los siguientes casos de aplicación:

**Aplicación de unión dura:** La unión de metal a metal con una arandela de disco. El par motor máximo se alcanza después de una acción de percusión/apriete relativamente corta.

**Aplicación de unión mediana:** La unión de metal con metal cuando se utiliza una arandela elástica tipo anillo, una arandela elástica tipo disco, pernos prisioneros o pernos/tuercas con asientos cónicos.

**Aplicación de unión suave:** La unión de por ejemplo metal a madera o a material aislante.

Para casos de unión mediana o blanda, el par motor de apriete máximo es menos que para los casos duros. Por lo tanto, se necesita una acción de percusión/apriete más prolongada para alcanzar el par motor de apriete máximo.

### Selección del modo de trabajo

La herramienta eléctrica tiene dos modos de trabajo preajustados: A y B (17). Usted también puede programar modos de trabajo para diferentes aplicaciones y ajustar los modos existentes por medio de Bosch Toolbox bajo A y B.

Para cambiar entre los modos de trabajo A y B (17), presione el botón de modo (16).

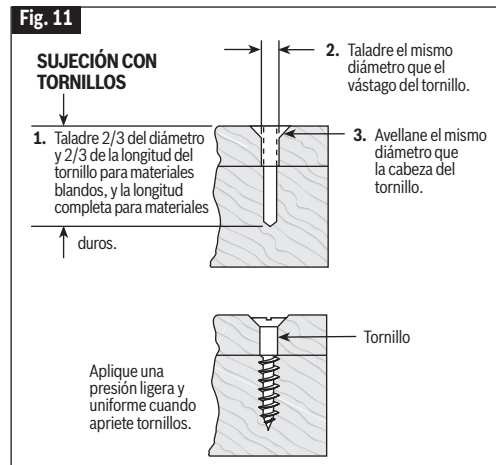
De manera preestablecida, el Modo A está diseñado para tornillos autoperforantes. La reducción automática de la velocidad se activa en sentido tanto de avance como de inversión.

De manera preestablecida, el Modo B está diseñado para tornillos para madera. En el sentido de avance se activa el apagado automático. En el sentido de inversión, el apagado automático funciona como liberador automático de pernos para el Modo B preestablecido.

**Nota:** Solo puede haber un ajuste o modo activo en la herramienta a la vez. 1, 2, 3, A o B.

### Sujeción con tornillos

El procedimiento mostrado en la (Fig. 11) le permitirá a usted sujetar unos materiales a otros usando la herramienta sin desforrar, rajar ni separar el material.



Primero, fije las piezas una a otra y taladre el primer agujero con 2/3 del diámetro del tornillo. Si el material es blando, taladre únicamente 2/3 de la longitud correspondiente. Si es duro, taladre la longitud completa.

Segundo, suelte las piezas y taladre el segundo agujero con el mismo diámetro que el cuerpo del tornillo en la primera pieza, o pieza superior, de madera.

## Instrucciones de funcionamiento

Tercero, si se utiliza un tornillo de cabeza plana, avellane el agujero para hacer que el tornillo quede al ras con la superficie. Luego, simplemente ejerza una presión uniforme cuando apriete el tornillo. El agujero de paso del cuerpo del tornillo en la primera pieza permite que la cabeza del tornillo mantenga las piezas unidas firmemente.

### Apriete de tuercas y pernos

Utilice el control de velocidad variable con precaución para apretar tuercas y pernos con aditamentos de bocallave. La técnica consiste en comenzar lentamente, aumentando la velocidad a medida que la tuerca o el perno se vaya apretando. La tuerca o el perno está ajustado cuando la bocallave se detiene.

### Utilización en tiempo frío (32° F)

Debido a la lubricación utilizada en el mecanismo de percusión, se deberá tener la herramienta en funcionamiento durante tres minutos sin carga antes de su utilización real. Esto calentará el lubricante y proporcionará un mejor rendimiento.

## Interfaz del usuario

### Luz led indicadora de estado

La barra LED ubicada en la parte superior de la interfaz del usuario se ilumina en varios colores para ayudar al usuario a identificar el estado de la herramienta. Cuando la luz LED indicadora de estado (19) está verde, la herramienta y el paquete de batería están funcionando normalmente y las temperaturas son adecuadas. Si el indicador cambia a amarillo, eso significa que las temperaturas de la herramienta o de la batería han aumentado hasta un nivel alto y se debe dejar de utilizar la herramienta para permitir que esta se enfríe. Lo mejor es eliminar la carga y dar a la herramienta la oportunidad de enfriarse. Si el indicador se pone rojo, la herramienta se apagará para autoprotegerse y/o proteger al paquete de batería contra una situación de sobrecalentamiento.

La luz LED indicadora de estado (12) también parpadeará en azul cuando los botones de velocidad (14) o modo (16) se mantengan presionados durante 7 segundos. Esto reajustará la configuración de la herramienta a los valores preestablecidos en la fábrica.

## Colgador para vigas

**⚠ ADVERTENCIA** Cuando utilice el gancho de sierra, tenga siempre presente que el accesorio está al descubierto. Cuelgue siempre la herramienta en un área en la que ni usted ni las personas que se encuentren presentes puedan entrar en contacto accidentalmente con el accesorio.

**⚠ ADVERTENCIA** Para reducir el riesgo de lesiones, no utilice el gancho de suspensión si parece estar dañado o deformado. Esto podría causar una suspensión inestable y que la herramienta se caiga inesperadamente.

**⚠ ADVERTENCIA** Para reducir el riesgo de lesiones, tenga cuidado al seleccionar la ubicación para colgar la herramienta.

El accesorio colgador para vigas opcional (4) le permitirá a usted sujetar su herramienta a una viga u otro soporte conveniente cuando no se esté utilizando.

El colgador para vigas (4) se puede sujetar en cualquiera de los lados de la herramienta fijándolo con un tornillo de montaje. Asegúrese siempre de apretar firmemente el tornillo de montaje antes de la utilización (Fig. 1).

- Seleccione un objeto de tamaño y forma adecuados, que proporcione una estabilidad de suspensión adecuada. Una superficie de suspensión inestable podría hacer que la herramienta se caiga inesperadamente.
- Asegúrese de que la herramienta esté colgada fuera del paso de pasarelas y áreas de trabajo en las que se encuentren presentes otras personas. La herramienta podría resultar golpeada o una persona que esté presente podría engancharse y causar una caída inesperada de la herramienta.

## Mantenimiento

**⚠ ADVERTENCIA** Para evitar accidentes, desconecte siempre el paquete de batería de la herramienta antes de realizar servicio de ajustes y reparaciones o limpieza.

### Servicio

**⚠ ADVERTENCIA** NO HAY PIEZAS EN EL INTERIOR QUE PUEDAN SER AJUSTADAS O REPARADAS POR EL USUARIO. El mantenimiento preventivo realizado por personal no autorizado puede dar lugar a la colocación incorrecta de cables y componentes internos que podría constituir un peligro serio. Recomendamos que todo el servicio de las herramientas sea realizado en un Centro de servicio de fábrica Bosch o en una Estación de servicio Bosch autorizada.

### Baterías

Esté alerta a los paquetes de baterías que estén aproximándose al final de su vida útil. Si observa una disminución del rendimiento de la herramienta o un tiempo de funcionamiento significativamente más corto entre cargas, entonces ha llegado el momento de cambiar el paquete de baterías. Si no se hace esto, el resultado puede ser que la herramienta funcione incorrectamente o que el cargador se dañe.

### Lubricación de las herramientas

Su herramienta Bosch ha sido lubricada adecuadamente y está lista para la utilización.

### Motores

El motor de la herramienta ha sido diseñado para muchas horas de servicio fiable. Para mantener un rendimiento óptimo del motor, recomendamos que éste sea examinado cada seis meses. Sólo se debe usar un motor de repuesto Bosch genuino diseñado especialmente para la herramienta.

### Limpieza

**⚠ PRECAUCIÓN** Ciertos agentes de limpieza y disolventes dañan las piezas de plástico. Algunos de estos son: gasolina, tetracloruro de carbono, disolventes de limpieza clorados, amoníaco y detergentes domésticos que contienen amoníaco.

Las aberturas de ventilación y las palancas de interruptor deben mantenerse limpias y libres de materias extrañas. No intente limpiar introduciendo

## Accesorios

**⚠ ADVERTENCIA** Es posible que el uso de cualquier otro accesorio no especificado en este manual cree un peligro.

Almacene los accesorios en un ambiente seco y templado para evitar la corrosión y el deterioro.

Accesorios incluidos	Disponibles por separado
- Colgador para vigas	- Maletín de transporte - Módulo de conectividad GCY42



## Licenses

### Copyright (c) 2004 - 2020, Texas Instruments Incorporated

All rights reserved.

Redistribution and use in source and binary forms, with or without modification, are permitted provided that the following conditions are met:

- \* Redistributions of source code must retain the above copyright notice, this list of conditions and the following disclaimer.
- \* Redistributions in binary form must reproduce the above copyright notice, this list of conditions and the following disclaimer in the documentation and/or other materials provided with the distribution.
- \* Neither the name of Texas Instruments Incorporated nor the names of its contributors may be used to endorse or promote products derived from this software without specific prior written permission.

THIS SOFTWARE IS PROVIDED BY THE COPYRIGHT HOLDERS AND CONTRIBUTORS "AS IS" AND ANY EXPRESS OR IMPLIED WARRANTIES, INCLUDING, BUT NOT LIMITED TO, THE IMPLIED WARRANTIES OF MERCHANTABILITY AND FITNESS FOR A PARTICULAR PURPOSE ARE DISCLAIMED. IN NO EVENT SHALL THE COPYRIGHT OWNER OR CONTRIBUTORS BE LIABLE FOR ANY DIRECT, INDIRECT, INCIDENTAL, SPECIAL, EXEMPLARY, OR CONSEQUENTIAL DAMAGES (INCLUDING, BUT NOT LIMITED TO, PROCUREMENT OF SUBSTITUTE GOODS OR SERVICES; LOSS OF USE, DATA, OR PROFITS; OR BUSINESS INTERRUPTION) HOWEVER CAUSED AND ON ANY THEORY OF LIABILITY, WHETHER IN CONTRACT, STRICT LIABILITY, OR TORT (INCLUDING NEGLIGENCE OR OTHERWISE) ARISING IN ANY WAY OUT OF THE USE OF THIS SOFTWARE, EVEN IF ADVISED OF THE POSSIBILITY OF SUCH DAMAGE.

### Copyright (C) 2009 - 2020 ARM LIMITED

All rights reserved.

Redistribution and use in source and binary forms, with or without modification, are permitted provided that the following conditions are met:

- Redistributions of source code must retain the above copyright notice, this list of conditions and the following disclaimer.
- Redistributions in binary form must reproduce the above copyright notice, this list of conditions and the following disclaimer in the documentation and/or other materials provided with the distribution.
- Neither the name of ARM nor the names of its contributors may be used to endorse or promote products derived from this software without specific prior written permission.

THIS SOFTWARE IS PROVIDED BY THE COPYRIGHT HOLDERS AND CONTRIBUTORS "AS IS" AND ANY EXPRESS OR IMPLIED WARRANTIES, INCLUDING, BUT NOT LIMITED TO, THE IMPLIED WARRANTIES OF MERCHANTABILITY AND FITNESS FOR A PARTICULAR PURPOSE ARE DISCLAIMED. IN NO EVENT SHALL THE COPYRIGHT OWNER OR CONTRIBUTORS BE LIABLE FOR ANY DIRECT, INDIRECT, INCIDENTAL, SPECIAL, EXEMPLARY, OR CONSEQUENTIAL DAMAGES (INCLUDING, BUT NOT LIMITED TO, PROCUREMENT OF SUBSTITUTE GOODS OR SERVICES; LOSS OF USE, DATA, OR PROFITS; OR BUSINESS INTERRUPTION) HOWEVER CAUSED AND ON ANY THEORY OF LIABILITY, WHETHER IN CONTRACT, STRICT LIABILITY, OR TORT (INCLUDING NEGLIGENCE OR OTHERWISE) ARISING IN ANY WAY OUT OF THE USE OF THIS SOFTWARE, EVEN IF ADVISED OF THE POSSIBILITY OF SUCH DAMAGE.

### Aimonen (zlib) - Nanopb

#### Copyright © 2011 Petteri Aimonen

This software is provided 'as-is', without any express or implied warranty. In no event will the authors be held liable for any damages arising from the use of this software.

Permission is granted to anyone to use this software for any purpose, including commercial applications, and to alter it and redistribute it freely, subject to the following restrictions:

1. The origin of this software must not be misrepresented;

you must not claim that you wrote the original software. If you use this software in a product, an acknowledgment in the product documentation would be appreciated but is not required.

2. Altered source versions must be plainly marked as such, and must not be misrepresented as being the original software.
3. This notice may not be removed or altered from any source distribution.





## Licences

### Copyright (c) 2004 - 2020, Texas Instruments Incorporated

Tous droits réservés.

La redistribution et l'utilisation sous formes source et binaire, avec ou sans modifications, sont autorisées à condition que les conditions suivantes soient remplies :

- \* Les redistributions du code source doivent conserver l'avis de droits d'auteur ci-dessus, cette liste de conditions et le rejet de responsabilité suivant.
- \* Les redistributions en format binaire doivent reproduire l'avis de droits d'auteur ci-dessus, cette liste de conditions et le rejet de responsabilité suivant dans la documentation et/ou les autres éléments fournis avec la distribution.
- \* Ni le nom de Texas Instruments Incorporated, ni les noms de ses contributeurs ne peuvent être utilisés pour approuver ou promouvoir des produits dérivés de ce logiciel sans autorisation écrite préalable spécifique.

CE LOGICIEL EST FOURNI PAR LES DÉTENTEURS DES

DROITS D'AUTEUR ET LES CONTRIBUTEURS « EN L'ÉTAT », ET TOUTES GARANTIES EXPRESSES OU IMPLICITES, Y COMPRIS, MAIS SANS S'Y LIMITER, LES GARANTIES IMPLICITES DE QUALITÉ MARCHANDE ET D'ADÉQUATION À UN USAGE PARTICULIER, SONT REJETÉES. EN AUCUN CAS, LE TITULAIRE DU DROIT D'AUTEUR OU LES CONTRIBUTEURS NE POURRONT ÊTRE TENUS RESPONSABLES DE TOUT DOMMAGE DIRECT, INDIRECT, ACCESSOIRE, SPÉCIAL, EXEMPLAIRE OU CONSÉCUTIF (Y COMPRIS, MAIS SANS S'Y LIMITER, L'ACQUISITION DE BIENS OU DE SERVICES DE SUBSTITUTION, LA PERTE D'UTILISATION, DE DONNÉES OU DE BÉNÉFICES, OU L'INTERRUPTION D'ACTIVITÉ), QUELLE QU'EN SOIT LA CAUSE ET QUELLE QUE SOIT LA THÉORIE DE RESPONSABILITÉ, QU'IL S'AGISSE D'UN CONTRAT, D'UNE RESPONSABILITÉ SANS FAUTE OU D'UN DÉLIT (Y COMPRIS LA NÉGLIGENCE OU AUTRE) DÉCOULANT DE QUELQUE MANIÈRE QUE CE SOIT DE L'UTILISATION DE CE LOGICIEL, MÊME S'ILS ONT ÉTÉ INFORMÉS DE LA POSSIBILITÉ DE TELS DOMMAGES.

### Copyright (C) 2009 - 2020 ARM LIMITED

Tous droits réservés.

La redistribution et l'utilisation sous formes source et binaire, avec ou sans modifications, sont autorisées à condition que les conditions suivantes soient remplies :

- Les redistributions du code source doivent conserver l'avis de droits d'auteur ci-dessus, cette liste de conditions et le rejet de responsabilité suivant.
- Les redistributions en format binaire doivent reproduire l'avis de droits d'auteur ci-dessus, cette liste de conditions et le rejet de responsabilité suivant dans la documentation et/ou les autres éléments fournis avec la distribution.
- Ni le nom d'ARM, ni les noms de ses contributeurs ne peuvent être utilisés pour approuver ou promouvoir des produits dérivés de ce logiciel sans autorisation écrite préalable spécifique.

CE LOGICIEL EST FOURNI PAR LES DÉTENTEURS DES

DROITS D'AUTEUR ET LES CONTRIBUTEURS « EN L'ÉTAT », ET TOUTES GARANTIES EXPRESSES OU IMPLICITES, Y COMPRIS, MAIS SANS S'Y LIMITER, LES GARANTIES IMPLICITES DE QUALITÉ MARCHANDE ET D'ADÉQUATION À UN USAGE PARTICULIER, SONT REJETÉES. EN AUCUN CAS, LE TITULAIRE DU DROIT D'AUTEUR OU LES CONTRIBUTEURS NE POURRONT ÊTRE TENUS RESPONSABLES DE TOUT DOMMAGE DIRECT, INDIRECT, ACCESSOIRE, SPÉCIAL, EXEMPLAIRE OU CONSÉCUTIF (Y COMPRIS, MAIS SANS S'Y LIMITER, L'ACQUISITION DE BIENS OU DE SERVICES DE SUBSTITUTION, LA PERTE D'UTILISATION, DE DONNÉES OU DE BÉNÉFICES, OU L'INTERRUPTION D'ACTIVITÉ), QUELLE QU'EN SOIT LA CAUSE ET QUELLE QUE SOIT LA THÉORIE DE RESPONSABILITÉ, QU'IL S'AGISSE D'UN CONTRAT, D'UNE RESPONSABILITÉ SANS FAUTE OU D'UN DÉLIT (Y COMPRIS LA NÉGLIGENCE OU AUTRE) DÉCOULANT DE QUELQUE MANIÈRE QUE CE SOIT DE L'UTILISATION DE CE LOGICIEL, MÊME S'ILS ONT ÉTÉ INFORMÉS DE LA POSSIBILITÉ DE TELS DOMMAGES.

## Aimonen (zlib) - Nanoph

### Copyright © 2011 Petteri Aimonen

Ce logiciel est fourni « en l'état », sans aucune garantie expresse ou implicite. En aucun cas, les auteurs ne pourront être tenus responsables de tout dommage résultant de l'utilisation de ce logiciel.

L'autorisation est accordée à quiconque d'utiliser ce logiciel dans n'importe quel but, y compris les applications commerciales, de le modifier et de le redistribuer librement, sous réserve des restrictions suivantes :

1. L'origine de ce logiciel ne doit pas être dénaturée ; vous ne devez pas prétendre que vous avez écrit le logiciel original. Si vous utilisez ce logiciel dans un produit, une reconnaissance dans la documentation du produit serait appréciée mais n'est pas obligatoire.
2. Les versions sources modifiées doivent être clairement indiquées comme telles et ne doivent pas être présentées comme étant le logiciel original.
3. Cet avis ne peut pas être retiré ou modifié de toute distribution de la source.

## Notes / Remarques / Notas

This page was intentionally left blank  
Cette page a été laissée vierge intentionnellement.  
Esta página se dejó intencionalmente en blanco



### Limited Warranty of Bosch Portable and Benchtop Power Tools ("Limited Warranty")

Robert Bosch Tool Corporation ("Bosch", "we" or "our") warrants to the original end-user purchaser only that each BOSCH®-branded portable and benchtop power tool and battery (each, a "Product") will be free from defects in material or workmanship for the period of time listed in the chart below for the "Product Category" applicable for such Product (as applicable, the "Warranty Period"):

Product Category	Warranty Period
18V Cordless Power Tools, 18V Benchtop Power Tools and 18V Chargers	Five (5) years from the date of purchase
18V Power Tool Batteries	Three (3) years from the date of purchase
12V Cordless Power Tools and 12V Chargers	One (1) year from the date of purchase
12V Power Tool Batteries	One (1) year from the date of purchase
Corded Portable Power Tools and Corded Benchtop Power Tools	One (1) year from the date of purchase

OUR SOLE OBLIGATION AND YOUR EXCLUSIVE REMEDY under this Limited Warranty and, to the extent permitted by law, under any warranty or condition implied by law, shall be the repair or replacement of parts, without charge, which are defective in material or workmanship and which have not been abused, misused, carelessly handled, or repaired by persons other than Bosch or a Bosch Authorized Service Center.

Normal wear and tear of your Product is not covered by this Limited Warranty. As a result, Product parts that may become worn or exhausted over time due to normal wear and tear (including, without limitation, air filters, blade clamps, brushes, bumpers, bumper cover washers, chucks, cords, driver belts, driver blades, isolators, lifters, o-rings, pistons, piston/driver assemblies, piston stops, saw shoes, seals, strikers, etc.), or any other service or repairs required due to normal wear and tear on a Product, are not covered by this Limited Warranty.

To make a claim under this Limited Warranty, you must return the complete Product, transportation prepaid, to any Bosch Factory Service Center or Bosch Authorized Service Center. Please include a dated proof of purchase with your Product so we can determine if your Product is within the Warranty Period. If you do not have the dated proof of purchase for the Product that is the subject of your claim, we will use the Product's production code to determine whether the Product is within the Warranty Period. For locations of nearby Bosch Factory Service Centers or Bosch Authorized Service Centers, please use our service locator at <https://www.boschtools.com/us/en/service/service-center-locator/>. For more information on Limited Warranty performance, please contact our customer service at 1-877-267-2499.

#### THIS LIMITED WARRANTY DOES NOT APPLY TO BOSCH®-BRANDED:

- (i) **MEASURING TOOLS,**
- (ii) **ACCESSORY ITEMS SUCH AS CIRCULAR SAW BLADES, DRILL BITS, ROUTER BITS, JIGSAW BLADES, SANDING BELTS, GRINDING WHEELS AND OTHER SIMILAR TYPES OF ITEMS; OR**
- (iii) **CARRYING CASES OR CARRYING BAGS.**

ANY IMPLIED WARRANTIES FOR A PRODUCT SHALL BE LIMITED IN DURATION TO THE SHORTER OF (i) THE APPLICABLE WARRANTY PERIOD FOR SUCH PRODUCT/PRODUCT CATEGORY LISTED ABOVE, OR (ii) SUCH DURATION AS WOULD OTHERWISE APPLY UNDER APPLICABLE LAW IF THIS LIMITED WARRANTY WERE NOT OFFERED BY BOSCH. SOME STATES IN THE U.S., AND SOME CANADIAN PROVINCES, DO NOT ALLOW LIMITATIONS ON HOW LONG AN IMPLIED WARRANTY LASTS, SO THE ABOVE LIMITATION MAY NOT APPLY TO YOU.

IN NO EVENT SHALL BOSCH BE LIABLE FOR ANY INCIDENTAL OR CONSEQUENTIAL DAMAGES (INCLUDING BUT NOT LIMITED TO LIABILITY FOR LOSS OF PROFITS) ARISING FROM THE SALE OR USE OF THIS PRODUCT. SOME STATES IN THE U.S. AND SOME CANADIAN PROVINCES (INCLUDING, WITHOUT LIMITATION, QUEBEC) DO NOT ALLOW THE EXCLUSION OR LIMITATION OF INCIDENTAL OR CONSEQUENTIAL DAMAGES, SO THE ABOVE LIMITATION OR EXCLUSION MAY NOT APPLY TO YOU.

THIS LIMITED WARRANTY GIVES YOU SPECIFIC LEGAL RIGHTS, AND YOU MAY ALSO HAVE OTHER RIGHTS WHICH VARY FROM STATE TO STATE IN THE U.S., PROVINCE TO PROVINCE IN CANADA AND FROM COUNTRY TO COUNTRY.

THIS LIMITED WARRANTY APPLIES ONLY TO PRODUCTS SOLD WITHIN THE UNITED STATES OF AMERICA AND CANADA. FOR WARRANTY COVERAGE WITHIN OTHER COUNTRIES, CONTACT YOUR LOCAL BOSCH® BRAND TOOL DEALER OR IMPORTER.

V202211

### Garantía Limitada de herramientas eléctricas portátiles y de tablero de banco Bosch ("Garantía Limitada")

Robert Bosch Tool Corporation ("Bosch", "nosotros", "nuestro" o "nuestra") garantiza, únicamente al comprador usuario final original, que cada herramienta eléctrica portátil o de tablero de banco y cada batería de la marca BOSCH® (cada una de ellas, un "Producto") estará libre de defectos de material o de fabricación durante el período de tiempo indicado en el cuadro que aparece a continuación para la "Categoría de productos" aplicable a dicho Producto (según sea aplicable, el "Período de Garantía"):

Categoría de productos	Período de garantía
Herramientas eléctricas inalámbricas de 18 V, herramientas eléctricas de tablero de banco de 18 V y cargadores de 18 V	Cinco (5) años desde la fecha de compra
Baterías para herramientas eléctricas de 18 V	Tres (3) años desde la fecha de compra
Herramientas eléctricas inalámbricas de 12 V y cargadores de 12 V	Un (1) año desde la fecha de compra
Baterías para herramientas eléctricas de 12 V	Un (1) año desde la fecha de compra
Herramientas eléctricas portátiles alámbricas y herramientas eléctricas de banco alámbricas	Un (1) año desde la fecha de compra

NUESTRA ÚNICA OBLIGACIÓN Y EL REMEDIO EXCLUSIVO PARA USTED bajo esta Garantía Limitada y, en la medida en que la ley lo permita, bajo cualquier garantía o condición implícita por ley, será la reparación o el reemplazo de las piezas, sin cargo alguno, que presenten defectos de material o de fabricación y que no hayan sido sometidas a abuso ni utilizadas incorrectamente, manejadas descuidadamente o reparadas por personas que no sean Bosch o un Centro de Servicio Autorizado Bosch.

El desgaste de su Producto por el uso normal no está cubierto por esta Garantía Limitada. Como resultado de ello, las piezas de los Productos que se desgasten o se agoten con el paso del tiempo debido al desgaste por el uso normal (incluyendo, sin limitación, filtros de aire, abrazaderas para hojas, escobillas, amortiguadores, arandelas de cubiertas de amortiguadores, mandriles, cables de alimentación, correas de transmisión, hojas de impulsor, aisladores, elevadores, anillos tóricos, pistones, ensamblajes de pistón/impulsor, topes de pistón, zapatas de sierra, sellos, percutores, etc.), o cualquier otro servicio o reparación requeridos que se deban al desgaste por el uso normal de un Producto, no están cubiertos por esta Garantía Limitada.

Para presentar un reclamo bajo esta Garantía Limitada, usted debe devolver el Producto completo, con el transporte prepagado, a cualquier Centro de Servicio de Fábrica Bosch o Centro de Servicio Autorizado Bosch. Por favor, incluya un comprobante de compra fechado con su Producto para que podamos determinar si su Producto está dentro del Período de Garantía. Si no tiene un comprobante fechado de la compra del Producto que sea el objeto de su reclamo, utilizaremos el código de producción del Producto para determinar si dicho Producto está dentro del Período de Garantía. Para obtener las ubicaciones de los Centros de Servicio de Fábrica Bosch o los Centros de Servicio Autorizado Bosch cercanos, sírvase usar nuestro localizador de servicio en <https://www.boschtools.com/us/en/service/service-center-locator/>. Para obtener más información sobre el funcionamiento de la Garantía Limitada, sírvase contactar a nuestro servicio al cliente llamando al 1-877-267-2499.

#### ESTA GARANTÍA LIMITADA NO SE APLICA A LOS SIGUIENTES PRODUCTOS DE LA MARCA BOSCH®:

- (i) **HERRAMIENTAS DE MEDICIÓN,**
- (ii) **(ARTÍCULOS ACCESORIOS TALES COMO HOJAS DE SIERRA CIRCULAR, BROCAS TALADRADORAS, BROCAS DE FRESADORA, HOJAS DE SIERRA CALADORA, CORREAS DE LIJAR, DISCOS DE AMOLAR Y OTROS TIPOS DE ARTÍCULOS SIMILARES;**
- (iii) **MALETINES DE TRANSPORTE O BOLSAS DE TRANSPORTE.**





TODAS LAS GARANTÍAS IMPLÍCITAS DE UN PRODUCTO ESTARÁN LIMITADAS EN DURACIÓN A LO QUE SEA MÁS CORTO ENTRE (i) EL PERÍODO DE GARANTÍA APLICABLE PARA DICHO PRODUCTO O DICHA CATEGORÍA DE PRODUCTO, SEGÚN SE INDICA ANTERIORMENTE, O (ii) AQUELLA DURACIÓN QUE SE APLICARÍA DE OTRA MANERA BAJO LA LEY VIGENTE. SI ESTA GARANTÍA LIMITADA NO FUERA OFRECIDA POR BOSCH, ALGUNOS ESTADOS DE LOS EE.UU. Y ALGUNAS PROVINCIAS CANADIENSES NO PERMITEN LIMITACIONES EN CUANTO A LA DURACIÓN DE UNA GARANTÍA IMPLÍCITA, POR LO QUE ES POSIBLE QUE LA LIMITACIÓN QUE ANTECEDE NO TENGA APLICACIÓN EN EL CASO DE USTED.

BOSCH NO SERÁ RESPONSABLE EN NINGÚN CASO POR DAÑOS INCIDENTALES O EMERGENTES (INCLUYENDO PERO SIN ESTAR LIMITADOS A RESPONSABILIDAD POR PÉRDIDA DE UTILIDADES) QUE SURJAN DE LA VENTA O DEL USO DE ESTE PRODUCTO. ALGUNOS ESTADOS DE LOS EE.UU. Y ALGUNAS PROVINCIAS CANADIENSES (INCLUYENDO, SIN LIMITACIÓN, QUEBEC) NO PERMITEN LA EXCLUSIÓN O LIMITACIÓN DE LOS DAÑOS INCIDENTALES O EMERGENTES, POR LO QUE ES POSIBLE QUE LA LIMITACIÓN QUE ANTECEDE NO TENGA APLICACIÓN EN EL CASO DE USTED.

ESTA GARANTÍA LIMITADA LE CONFIERE A USTED DERECHOS LEGALES ESPECÍFICOS Y ES POSIBLE QUE USTED TENGA TAMBIÉN OTROS DERECHOS QUE VARIAN DE UN ESTADO A OTRO EN LOS EE.UU., DE UNA PROVINCIA A OTRA EN CANADÁ Y DE UN PAÍS A OTRO.

ESTA GARANTÍA LIMITADA SE APLICA SOLO A LOS PRODUCTOS VENDIDOS DENTRO DE LOS ESTADOS UNIDOS DE AMÉRICA Y CANADÁ. PARA OBTENER COBERTURA DE GARANTÍA EN OTROS PAÍSES, CONTACTE A SU DISTRIBUIDOR O IMPORTADOR LOCAL DE PRODUCTOS DE LA MARCA BOSCH®.

V202211

### Garantie limitée des outils électriques portatifs et de table Bosch (« Garantie limitée »)

Robert Bosch Tool Corporation (« Bosch », « nous » ou « notre ») garantit à l'acheteur utilisateur final original uniquement que chaque outil électrique portable et de table ainsi que chaque pile (chacun, un « Produit ») de marque BOSCH® sera exempt de défauts de matériaux ou de fabrication pendant la période indiquée dans le tableau ci-dessous pour la « Catégorie de produits » applicable à ce Produit (selon le cas, la « Période de garantie ») :

Catégorie de produits	Période de garantie
Outils électriques sans fil de 18 V, outils électriques de table de 18 V et chargeurs de 18 V	Cinq (5) ans à compter de la date d'achat
Piles pour outils électriques de 18 V	Trois (3) ans à compter de la date d'achat
Outils électriques sans fil de 12 V et chargeurs de 12 V	Un (1) an à compter de la date d'achat
Piles pour outils électriques de 12 V	Un (1) an à compter de la date d'achat
Outils électriques portatifs à cordon d'alimentation et outils électriques de table à cordon d'alimentation	Un (1) an à compter de la date d'achat

NOTRE SEULE OBLIGATION ET VOTRE SEUL REMÈDE en vertu de cette Garantie limitée et, dans la mesure où la loi le permet, de toute autre garantie ou condition légalement implicite, sera la réparation ou le remplacement à titre gratuit des pièces qui seront jugées défectueuses pour cause de vice de matériau ou de fabrication et qui n'auront pas été utilisées de façon abusive ou inappropriée, manipulées sans précautions ou réparées incorrectement par des personnes autres que des employés de Bosch ou d'un Centre de service après-vente agréé par Bosch.

L'usure normale de votre Produit n'est pas couverte par la présente Garantie limitée. Par conséquent, les pièces du Produit qui peuvent s'user ou s'épuiser avec le temps en raison d'une usure normale (y compris, sans s'y limiter, les filtres à air, les pinces de lame, les brosses, les pare-chocs, les rondelles de protection des pare-chocs, les mandrins, les cordons, les courroies d'entraînement, les lames d'entraînement, les isolateurs, les élévateurs, les joints toriques, les pistons, les ensembles piston/entraîneur, les butées de piston, les sabots de scie, les joints, les perceurs, etc.), ou tout autre service ou réparation requis en raison de l'usure normale d'un Produit, ne bénéficient pas de la couverture de la présente Garantie limitée.

Pour vous prévaloir de la présente Garantie limitée, vous devez retourner le Produit complet, en port payé, à un centre de service usine Bosch ou à un centre de service après-vente agréé par Bosch. Veuillez inclure un justificatif d'achat daté avec votre Produit afin que nous puissions déterminer si votre Produit est toujours dans la période de garantie. Si vous ne disposez pas d'un justificatif d'achat daté pour le Produit faisant l'objet de votre réclamation, nous utiliserons le code de fabrication du Produit pour déterminer si le Produit est toujours dans la période de garantie. Pour connaître l'emplacement des centres de service usine Bosch ou des centres de service après-vente agréés par Bosch les plus proches, veuillez utiliser notre localisateur de services à l'adresse suivante : <https://www.boschtools.com/us/en/service/service-center-locator/>. Pour plus d'informations sur la performance de la Garantie limitée, veuillez contacter notre service clientèle au 1-877-267-2499.

#### CETTE GARANTIE LIMITÉE NE S'APPLIQUE PAS AUX PRODUITS DE LA MARQUE BOSCH® SUIVANTS :

- (i) Outils de mesure,
- (ii) Articles accessoires tels que des lames de scie circulaire, des mèches de perçage, des fraises à défoncer, des lames de scie sauteuse, des bandes abrasives, des meules et d'autres types d'articles similaires ; ou
- (iii) Des mallettes ou des sacs de transport.

TOUTE GARANTIE IMPLÍCITE POUR UN PRODUIT SERA LIMITÉE À LA DURÉE LA PLUS COURTE ENTRE (i) LA PÉRIODE DE GARANTIE APLICABLE POUR CE PRODUIT/CETTE CATEGORIE DE PRODUITS ÉNUMÉRÉS CI-DESSUS, OU (ii) LA DURÉE QUI SERAIT AUTREMENT APLICABLE EN VERTU DE LA LOI APLICABLE SI LA PRÉSENTE GARANTIE LIMITÉE N'ÉTAIT PAS OFFERTE PAR BOSCH. COMME CERTAINS ÉTATS AUX ÉTATS-UNIS ET CERTAINES PROVINCES AU CANADÁ NE PERMETTENT PAS DE LIMITATIONS SUR LA DURÉE D'UNE GARANTIE IMPLÍCITE, LA LIMITATION CI-DESSUS NE S'APPLIQUE PEUT-ÊTRE PAS À VOUS.

BOSCH NE SERA EN AUCUN CAS RESPONSABLE POUR TOUTS DOMMAGES INDIRECTS OU SECONDAIRES (Y COMPRIS, MAIS SANS LIMITATION, LA RESPONSABILITÉ AU TITRE DE LA PERTE DE BÉNÉFICES) RÉSULTANT DE LA VENTE OU DE L'EMPLOI DE CE PRODUIT. COMME CERTAINS ÉTATS AUX ÉTATS-UNIS ET CERTAINES PROVINCES AU CANADÁ (Y COMPRIS, ENTRE AUTRES, LA PROVINCE DU QUÉBEC) NE PERMETTENT PAS L'EXCLUSION OU LA LIMITATION DE LA RESPONSABILITÉ POUR LES DOMMAGES INDIRECTS OU SECONDAIRES, LA LIMITATION OU L'EXCLUSION CI-DESSUS NE S'APPLIQUE PEUT-ÊTRE PAS À VOUS.

CETTE GARANTIE LIMITÉE VOUS CONFÈRE DES GARANTIES JURIDIQUES PARTICULIÈRES, ET VOUS POUVEZ AUSSI AVOIR D'AUTRES DROITS, QUI VARIENT D'UN ÉTAT À L'AUTRE AUX ÉTATS-UNIS, D'UNE PROVINCE À L'AUTRE AU CANADÁ OU D'UN PAÍS À L'AUTRE.

CETTE GARANTIE LIMITÉE NE S'APPLIQUE QU'ÀUX PRODUITS VENDUS AUX ÉTATS-UNIS D'AMÉRIQUE ET AU CANADÁ. CONTACTEZ VOTRE DISTRIBUEUR OU IMPORTATEUR LOCAL D'OUTILS DE LA MARQUE BOSCH® POUR OBTENIR DES INFORMATIONS SUR LA COUVERTURE DE LA GARANTIE DANS LES AUTRES PAÍS.

V202211



# BOSCH

© Robert Bosch Tool Corporation  
1800 W. Central Road  
Mt. Prospect, IL 60056-2230

1605A0019R 02/2023



1 6 0 5 A 0 0 1 9 R

