

IMPORTANT
Read Before Using

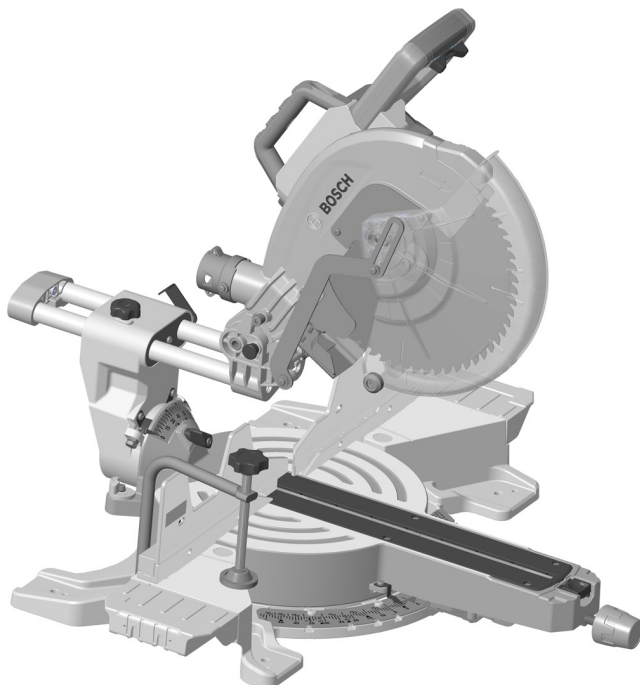
IMPORTANT
Lire avant usage

IMPORTANTE
Leer antes de usar



Operating / Safety Instructions
Consignes d'utilisation / de sécurité
Instrucciones de funcionamiento y seguridad

GCM18V-12SD



BOSCH

Call Toll Free for Consumer Information & Service Locations

Pour obtenir des informations et les adresses de nos centres de service après-vente, appelez ce numéro gratuit

Llame gratis para obtener información para el consumidor y ubicaciones de servicio

1-877-BOSCH99 (1-877-267-2499) www.boschtools.com

For English Version
See page 2

Version française
Voir page 57

Versión en español
Ver la página 112



Safety Symbols





The definitions below describe the level of severity for each signal word. Please read the manual and pay attention to these symbols.	
	This is the safety alert symbol. It is used to alert you to potential personal injury hazards. Obey all safety messages that follow this symbol to avoid possible injury or death.
	DANGER indicates a hazardous situation which, if not avoided, will result in death or serious injury.
	WARNING indicates a hazardous situation which, if not avoided, could result in death or serious injury.
	CAUTION indicates a hazardous situation which, if not avoided, could result in minor or moderate injury.

Table of Contents

Safety Symbols	2	Assembling Dust Collection System	21
General Power Tool Safety Warnings	3	Adjustments	22
Safety Instructions for Miter Saws	5	Using the Head Assembly Lock Pin	22
Additional Safety Rules	7	Miter Detent System – Adjustment Procedure ..	23
Symbols	8	0° Bevel Stop	24
Getting to Know Your Miter Saw	10	45° Bevel Stop	25
Specifications	14	Transporting and Mounting	27
Intended Use	14	Lifting the Saw	27
Cutting Masonry/Metal	14	Mounting Applications	28
Cutting Capacities	15	Preparing for Saw Operations	29
Unpacking and Checking Contents	16	Switch Activation	29
Unpacking the Miter Saw	16	Built-in LED Light	29
Checking Contents in Package	16	Body and Hand Position	29
Tools Needed For Assembly	17	Workpiece Support	32
Verifying Parts	17	Saw Operations	35
Checking Combination Square	17	Brake Operation	35
Assembly	18	Chop/Crown Lock	35
Storing the Torx Wrench	18	Using the Miter Lock Knob	36
Attaching the Base Extensions	18	Using Miter Detent System	36
Inserting and Releasing Battery Pack	19	Miter Detent Override	36
Removing and Installing Blades	19	Chop Cuts	37
		Slide Cuts	38





Table of Contents

Miter Cuts	39	Care of Blades	53
Bevel Cuts	41	Tool Lubrication	53
2x@45 Stop	42	Bearings	53
Compound Cuts	43	Cleaning	53
Cutting Base Molding	44	Troubleshooting	54
Cutting Crown Molding	45	Troubleshooting Guide - Electrical	54
Special Cuts	51	Troubleshooting Guide - General	55
Maintenance and Lubrication	53	Attachments and Accessories	56
Service	53		
Batteries	53		

General Power Tool Safety Warnings

⚠ WARNING Read all safety warnings, instructions, illustrations and specifications provided with this power tool. Failure to follow all instructions listed below may result in electric shock, fire and/or serious injury.

SAVE ALL WARNINGS AND INSTRUCTIONS FOR FUTURE REFERENCE

The term “power tool” in the warnings refers to your mains-operated (corded) power tool or battery-operated (cordless) power tool.

1. Work area safety

- a. **Keep work area clean and well lit.** Cluttered or dark areas invite accidents.
- b. Do not operate power tools in explosive atmospheres, such as in the presence of flammable liquids, gases or dust. Power tools create sparks which may ignite the dust or fumes.
- c. Keep children and bystanders away while operating a power tool. Distractions can cause you to lose control.

2. Electrical safety

- a. **Power tool plugs must match the outlet. Never modify the plug in any way. Do not use any adapter plugs with earthed (grounded) power tools.** Unmodified plugs and matching outlets will reduce risk of electric shock.
- b. **Avoid body contact with earthed or grounded surfaces, such as pipes, radiators, ranges and refrigerators.** There is an increased risk of electric shock if your body is earthed or grounded.

- c. Do not expose power tools to rain or wet conditions. Water entering a power tool will increase the risk of electric shock.
- d. Do not abuse the cord. **Never use the cord for carrying, pulling or unplugging the power tool. Keep cord away from heat, oil, sharp edges or moving parts.** Damaged or entangled cords increase the risk of electric shock.
- e. When operating a power tool outdoors, use an extension cord suitable for outdoor use. Use of a cord suitable for outdoor use reduces the risk of electric shock.
- f. If operating a power tool in a damp location is unavoidable, use a Ground Fault Circuit Interrupter (GFCI) protected supply. Use of an GFCI reduces the risk of electric shock.



General Power Tool Safety Warnings

3. Personal safety

- a. **Stay alert, watch what you are doing and use common sense when operating a power tool. Do not use a power tool while you are tired or under the influence of drugs, alcohol or medication.** A moment of inattention while operating power tools may result in serious personal injury.
- b. **Use personal protective equipment. Always wear eye protection.** Protective equipment such as a dust mask, non-skid safety shoes, hard hat, or hearing protection used for appropriate conditions will reduce personal injuries.
- c. Prevent unintentional starting. **Ensure the switch is in the off-position before connecting to power source and / or battery pack, picking up or carrying the tool.** Carrying power tools with your finger on the switch or energizing power tools that have the switch on invites accidents.
- d. Remove any adjusting key or wrench before turning the power tool on. A wrench or a key left attached to a rotating part of the power tool may result in personal injury.
- e. Do not overreach. **Keep proper footing and balance at all times.** This enables better control of the power tool in unexpected situations.
- f. Dress properly. **Do not wear loose clothing or jewelry. Keep your hair and clothing away from moving parts.** Loose clothes, jewelry or long hair can be caught in moving parts.
- g. If devices are provided for the connection of dust extraction and collection facilities, ensure these are connected and properly used. Use of dust collection can reduce dust-related hazards.
- h. Do not let familiarity gained from frequent use of tools allow you to become complacent and ignore tool safety principles. A careless action can cause severe injury within a fraction of a second.

4. Power tool use and care

- a. **Do not force the power tool. Use the correct power tool for your application.** The correct power tool will do the job better and safer at the rate for which it was designed.
- b. **Do not use the power tool if the switch does not turn it on and off.** Any power tool that cannot be controlled with the switch is dangerous and must be repaired.
- c. Disconnect the plug from the power source and/or remove the battery pack, if detachable, from the power tool before making any adjustments, changing accessories, or storing power tools. Such preventive safety measures reduce the risk of starting the power tool accidentally.
- d. Store idle power tools out of the reach of children and do not allow persons unfamiliar with the power tool or these instructions to operate the power tool. Power tools are dangerous in the hands of untrained users.
- e. Maintain power tools and accessories. **Check for misalignment or binding of moving parts, breakage of parts and any other condition that may affect the power tool's operation. If damaged, have the power tool repaired before use.** Many accidents are caused by poorly maintained power tools.
- f. Keep cutting tools sharp and clean. Properly maintained cutting tools with sharp cutting edges are less likely to bind and are easier to control.
- g. Use the power tool, accessories and tool bits etc. **in accordance with these instructions, taking into account the working conditions and the work to be performed.** Use of the power tool for operations different from those intended could result in a hazardous situation.
- h. Keep handles and grasping surfaces dry, clean and free from oil and grease. Slippery handles and grasping surfaces do not allow for safe handling and control of the tool in unexpected situations.

General Power Tool Safety Warnings

5. Battery tool use and care

- a. **Recharge only with the charger specified by the manufacturer.** A charger that is suitable for one type of battery pack may create a risk of fire when used with another battery pack.
- b. **Use power tools only with specifically designated battery packs.** Use of any other battery packs may create a risk of injury and fire.
- c. When battery pack is not in use, keep it away from other metal objects like paper clips, coins, keys, nails, screws, or other small metal objects that can make a connection from one terminal to another. Shorting the battery terminals together may cause burns or a fire.
- d. Under abusive conditions, liquid may be ejected from the battery, avoid contact. If contact accidentally occurs, flush with water. If liquid contacts eyes, additionally seek medical help. Liquid ejected from the battery may cause irritation or burns.
- e. Do not use a battery pack or tool that is damaged or modified. Damaged or modified batteries may exhibit unpredictable behaviour resulting in fire, explosion or risk of injury.
- f. Do not expose a battery pack or tool to fire or excessive temperature. Exposure to fire or temperature above 265 °F may cause explosion.

- g. Follow all charging instructions and do not charge the battery pack or tool outside the temperature range specified in the instructions. Charging improperly or at temperatures outside the specified range may damage the battery and increase the risk of fire.

6. Service

- a. **Have your power tool serviced by a qualified repair person using only identical replacement parts.** This will ensure that the safety of the power tool is maintained.
- b. **Never service damaged battery packs.** Service of battery packs should only be performed by the manufacturer or authorized service providers.

Safety Instructions for Miter Saws

- a. **Miter saws are intended to cut wood or wood-like products, they cannot be used with abrasive cut-off wheels for cutting ferrous material such as bars, rods, studs, etc.** Abrasive dust causes moving parts such as the lower guard to jam. Sparks from abrasive cutting will burn the lower guard, the kerf insert and other plastic parts.
- b. Use clamps to support the workpiece whenever possible. **If supporting the workpiece by hand, you must always keep your hand at least 100 mm (4") from either side of the saw blade. Do not use this saw to cut pieces that are too small to be securely clamped or held by hand.** If your hand is placed too close to the saw blade, there is an increased risk of injury from blade contact.
- c. The workpiece must be stationary and clamped or held against both the fence and the table. **Do not feed the workpiece into the blade or cut "freehand" in any way.** Unrestrained or moving workpieces could be thrown at high speeds, causing injury.
- d. Push the saw through the workpiece. **Do not pull the saw through the workpiece. To make a cut, raise the saw head and pull it out over the workpiece without cutting, start the motor, press the saw head down and push the saw through the workpiece.** Cutting on the pull stroke is likely to cause the saw blade to climb on top of the workpiece and violently throw the blade assembly towards the operator.
- e. Never cross your hand over the intended line of cutting either in front or behind the saw blade. Supporting the workpiece "cross handed" i.e. holding the workpiece to the right of the saw blade with your left hand or vice versa is very dangerous.
- f. Do not reach behind the fence with either hand closer than 100 mm (4") from either side of the saw blade, to remove wood scraps, or for any other reason while the blade is spinning. The proximity of the spinning saw blade to your hand may not be obvious and you may be seriously injured.

Safety Instructions for Miter Saws

- g. Inspect your workpiece before cutting. **If the workpiece is bowed or warped, clamp it with the outside bowed face toward the fence. Always make certain that there is no gap between the workpiece, fence and table along the line of the cut.** Bent or warped workpieces can twist or shift and may cause binding on the spinning saw blade while cutting. There should be no nails or foreign objects in the workpiece.
- h. Do not use the saw until the table is clear of all tools, wood scraps, etc., **except for the workpiece.** Small debris or loose pieces of wood or other objects that contact the revolving blade can be thrown with high speed.
- i. Cut only one workpiece at a time. Stacked multiple workpieces cannot be adequately clamped or braced and may bind on the blade or shift during cutting.
- j. Ensure the miter saw is mounted or placed on a level, firm work surface before use. A level and firm work surface reduces the risk of the miter saw becoming unstable.
- k. Plan your work. **Every time you change the bevel or miter angle setting, make sure the adjustable fence is set correctly to support the workpiece and will not interfere with the blade or the guarding system.** Without turning the tool "ON" and with no workpiece on the table, move the saw blade through a complete simulated cut to assure there will be no interference or danger of cutting the fence.
- l. Provide adequate support such as table extensions, saw horses, etc. **for a workpiece that is wider or longer than the table top.** Workpieces longer or wider than the miter saw table can tip if not securely supported. If the cut-off piece or workpiece tips, it can lift the lower guard or be thrown by the spinning blade.
- m. Do not use another person as a substitute for a table extension or as additional support. Unstable support for the workpiece can cause the blade to bind or the workpiece to shift during the cutting operation pulling you and the helper into the spinning blade.
- n. The cut-off piece must not be jammed or pressed by any means against the spinning saw blade. If confined, i.e. using length stops, the cut-off piece could get wedged against the blade and thrown violently.
- o. Always use a clamp or a fixture designed to properly support round material such as rods or tubing. Rods have a tendency to roll while being cut, causing the blade to "bite" and pull the work with your hand into the blade.
- p. Let the blade reach full speed before contacting the workpiece. This will reduce the risk of the workpiece being thrown.
- q. If the workpiece or blade becomes jammed, turn the miter saw off. **Wait for all moving parts to stop and disconnect the plug from the power source and/or remove the battery pack. Then work to free the jammed material.** Continued sawing with a jammed workpiece could cause loss of control or damage to the miter saw.
- r. After finishing the cut, release the switch, hold the saw head down and wait for the blade to stop before removing the cut-off piece. Reaching with your hand near the coasting blade is dangerous.
- s. Hold the handle firmly when making an incomplete cut or when releasing the switch before the saw head is completely in the down position. The braking action of the saw may cause the saw head to be suddenly pulled downward, causing a risk of injury.
- t. Avoid overheating the saw blade tips.

Additional Safety Rules

GFCI and personal protection devices like electrician's rubber gloves and footwear will further enhance your personal safety.

Do not use AC only rated tools with a DC power supply. While the tool may appear to work, the electrical components of the AC rated tool are likely to fail and create a hazard to the operator.

Keep handles dry, clean and free from oil and grease. Slippery hands cannot safely control the power tool.

Develop a periodic maintenance schedule for your tool. When cleaning a tool be careful not to disassemble any portion of the tool since internal wires may be misplaced or pinched or safety guard return springs may be improperly mounted. Certain cleaning agents such as gasoline, carbon tetrachloride, ammonia, etc. may damage plastic parts.

⚠ WARNING Some dust created by power sanding, sawing, grinding, drilling, and other construction activities contains chemicals known to cause cancer, birth defects or other reproductive harm. **Some examples of these chemicals are:**

- Lead from lead-based paints,
- Crystalline silica from bricks and cement and other masonry products, and
- Arsenic and chromium from chemically-treated lumber.

Your risk from these exposures varies, depending on how often you do this type of work. To reduce your exposure to these chemicals: work in a well ventilated area, and work with approved safety equipment, such as those dust masks that are specially designed to filter out microscopic particles.

⚠ WARNING Do not use the Bosch GCM18V-12SD miter saw to cut fiber cement board. Cutting materials containing crystalline silica may create exposures to respirable silica dust.

⚠ WARNING Before each use, review all warnings located on the miter saw.

⚠ WARNING The operation of any power tool can result in foreign objects being thrown into the eyes, which can result in severe eye damage. Always wear safety goggles that comply with ANSI Z87.1 (shown on package) before commencing power tool operation.



⚠ WARNING Do not use this miter saw without properly installed base extensions. Lack of appropriate workpiece support may result in personal injury.



	<p style="text-align: center; font-size: small;">Do not carry the saw by this handle. Ne portez pas la scie par cette poignée. No transporte la sierra por este mango.</p>
DESIGNATED DANGER ZONES	DESIGNATED NO-CARRY AREA
Avoid positioning hands, fingers or arms.	A danger zone – never lift or carry saw by the main switch handle.









Symbols

Important: Some of the following symbols may be used on your tool. Please study them and learn their meaning. Proper interpretation of these symbols will allow you to operate the tool better and safer.

Symbol	Designation/Explanation
V	Volts (voltage)
A	Amperes (current)
Hz	Hertz (frequency, cycles per second)
W	Watt (power)
kg	Kilograms (weight)
min	Minutes (time)
s	Seconds (time)
CFM	Cubic feet per minute [or ft ³ /min] (air flow rate)
∅	Diameter (size of drill bits, grinding wheels, etc.)
n_0	No load speed (rotational speed, at no load)
n	Rated speed (Maximum attainable speed)
.../min	Revolutions or reciprocation per minute (revolutions, strokes, surface speed, orbits etc. per minute)
0	Off position (zero speed, zero torque...)
1, 2, 3, ... I, II, III,	Selector settings (speed, torque or position settings. Higher number means greater speed)
0 	Infinitely variable selector with off (speed is increasing from 0 setting)
	Arrow (action in the direction of arrow)
~	Type or a characteristic of current
≡	Type or a characteristic of current
⋈	Type or a characteristic of current
□	Designates Double Insulated Construction tools
⊕	Grounding terminal

Symbols

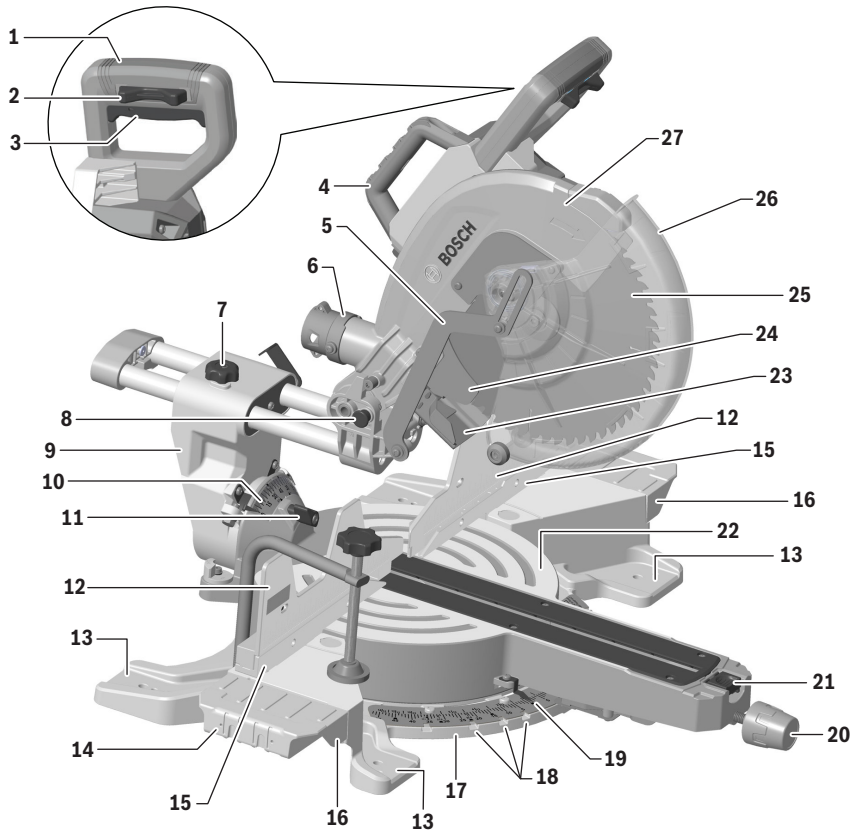
Important: Some of the following symbols may be used on your tool. Please study them and learn their meaning. Proper interpretation of these symbols will allow you to operate the tool better and safer.

Symbol	Designation/Explanation
	Designates Li-ion battery recycling program.
	Alerts user to read manual.
	Alerts user to wear eye protection.
	This symbol designates that this tool is listed by Underwriters Laboratories.
	This symbol designates that this tool is listed by Underwriters Laboratories, to United States and Canadian Standards.
	This symbol designates that this tool is listed by the Canadian Standards Association.
	This symbol designates that this tool is listed by the Canadian Standards Association, to United States and Canadian Standards.
	This symbol designates that this tool is listed by the Intertek Testing Services, to United States and Canadian Standards.

Getting to Know Your Miter Saw

GCM18V-12SD Cordless Miter Saw

Fig. 1

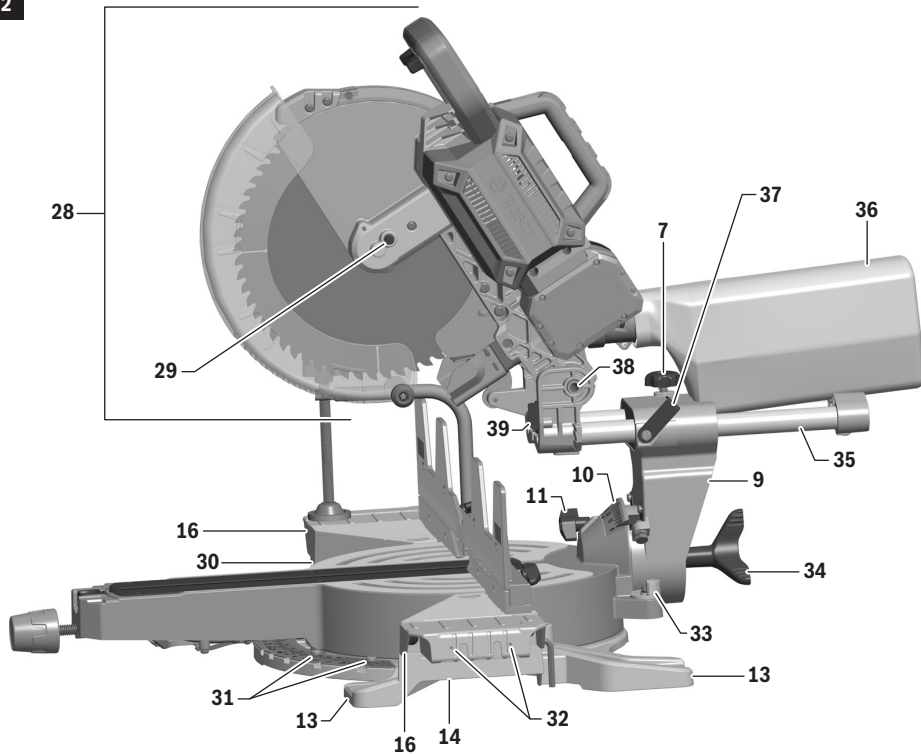


Getting to Know Your Miter Saw

- 1 Main Handle** is used to raise and lower the head assembly and contains the power switch. Pull the handle down to lower the blade to the workpiece.
- 2 Switch Lock-OFF Release Buttons** two buttons, one of which must be pressed before the power switch can be pressed.
- 3 Power Switch** is used with the “Lock-OFF” button to turn the saw off and on.
- 4 Main Carry Handle** is used to carry the saw.
- 5 Lower Guard Link** allows for smooth movement of the lower guard.
- 6 Dust Chute** directs sawdust up into the dust bag or vacuum hose.
- 7 Slide Rail Lock Knob** when tightened, locks the slide system in place. Tighten by turning the knob clockwise (to the right), and loosen by turning counterclockwise (to the left).
- 8 Head Assembly Lock Pin** is used to lock the head assembly in the lower position.
- 9 Bevel Post** provides rotating support for all of the miter saw parts above the table.
- 10 Bevel Scale and Pointers** indicates the current bevel angle. The large angled scale makes it easy to read bevel angles.
- 11 Bevel Range Selector Knob** is used to select the left bevel range: 0° to 47° left or 0° to 47° right.
- 12 Sliding Fences** support the workpiece. The fences have a cast-in scale to make repetitive cuts easy and have holes to secure an auxiliary fence if required.
- 13 Tool Mounting Pads** in the four corners of the saw provide areas to clamp, bolt, or nail the saw to a flat work surface.
- 14 Cast-in Carry Handles** are used to lift and transport the saw.
- 15 Stationary Fence** is bolted to the base and supports the workpiece when the sliding fence is removed.
- 16 Base Extensions** provide extra support for the saw, which can be useful when cutting long workpieces.
- 17 Miter Detent Plate** can be adjusted to set the accuracy of its detent locations.
- 18 Miter Detents**, are ten slots that allow for fast and accurate miter cuts at common miter angles.
- 19 Miter Scale and Pointer** allows you to see the angle setting before a cut is made. The pointer rotates with the table and blade and points to the angle on the miter scale.
- 20 Miter Lock Knob** locks the miter saw table at any desired miter angle.
- 21 Miter Detent Override Button** locks out detent action, allowing for micro-adjustments to any miter angle.
- 22 Table** provides workpiece support, rotates for desired miter cuts, and rotates the head assembly. The front extended part of the table is called the miter arm.
- 23 Rubber Deflector** is attached to the bottom of the dust chute and deflects dust into the chute.
- 24 Chip Deflector** prevents cut-off workpieces from entering the upper guard.
- 25 Blade** is the component that makes cuts in workpieces. Use only 12” (305 mm) diameter blades with 1” (25.4 mm) diameter arbor holes.
- 26 Lower Blade Guard/Lower Guard Lip** helps protect your hands from the spinning blade. It retracts as the blade is lowered. Should the guard become jammed on a workpiece, the lip can be used to raise the lower guard.
- 27 Upper Guard** covers upper part of the blade.

Getting to Know Your Miter Saw

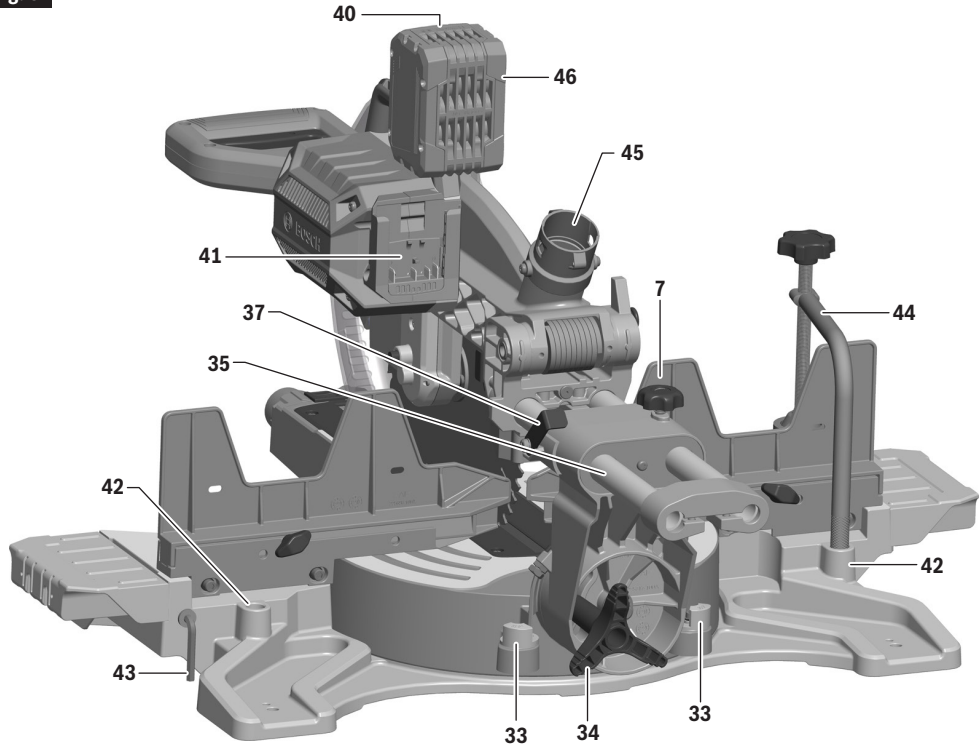
Fig. 2



- 28 Head Assembly** is the part of the saw that includes the blade, guards, motor, main handle, and dust collection system.
- 29 Arbor Lock**, when pressed, keeps the blade from rotating. It's used during blade removal or installation, when loosening or tightening the arbor bolt.
- 30 Base** provides the working surface that supports the workpiece.
- 31 Miter Detent Plate Screws**, four, accessible through holes in the miter scale, are loosened to allow the position of the detent plate to be adjusted.
- 32 Mounting Holes for Optional Crown Stop**
- 33 Bevel Stop Indicators** (Left and Right) allow you to select the most common bevel angles: 33.9°, 45°, or 47°.
- 34 Bevel Lock Knob** locks the head assembly at the desired bevel angle.
- 35 Slide System** allows the head assembly to smoothly slide in and out. It can be locked all the way to the rear or in the fully-extended position.
- 36 Dust Bag** collects the dust from sawing operations. To empty it, uncouple it from the dust port and open the zipper at the bottom.
- 37 Chop/Crown Lock** locks the head assembly in place for upright cuts and crown cuts.
- 38 Pivot Post** provides support for and is the pivot point for the head assembly.
- 39 2x@45 Stop** provides a stop for the head assembly for bevel cuts at 45 deg right bevel in 2x material.

Getting to Know Your Miter Saw

Fig. 3



40 Battery Pack Release Button releases the battery pack so that it can be removed from the battery bay.

41 Battery Bay is where a Bosch or AMPShare battery pack (sold separately) is inserted.

42 Clamp Post Locations are two vertical post holes in the base provided to support the clamp.

43 Torx wrench is used to change the blade and to attach the base extensions.


44 Clamp is used to hold the workpiece to the table and base. The clamp is inserted into one of the clamp post locations.

45 Dust Port is the part that provides the connection to the dust bag or vacuum hose.

46 Battery Pack (sold separately)

Specifications

GCM18V-12SD Cordless Miter Saw

Voltage:	18 V 
Allowed ambient temperature:	
– during charging	32...113 °F (0...+45 °C)
– during operation	-4...122 °F (-20...+50 °C)
– during storage	32...122 °F (0...+50 °C)

Battery Packs/Chargers

Please refer to the battery/charger list, included with your tool.

Intended Use

⚠ WARNING Use this miter saw only as intended. Unintended use may result in personal injury and property damage.

⚠ WARNING This product is intended to cut wood, wood-like products, and non-ferrous metals. Dust build-up around the lower guard and hub from other materials (masonry or ferrous metal) may disable the lower guard operation.

Cutting Masonry/Metal

⚠ WARNING Do not cut ferrous metal or masonry with this miter saw. The dust from the ferrous metal or masonry cutting will cause the lower guard to become sluggish and may not close fully and quickly after cutting these materials.

⚠ WARNING Do not use abrasive wheels. This tool is not intended for usage with metal or masonry cut-off wheels.

⚠ WARNING Do not use Wet Diamond cutting off wheel or water feed devices with this miter saw. Masonry cutting waste will enter the lower guard system, harden and cause the guard to become inoperable. Use of water in masonry cutting applications with an electric miter saw will cause electric shock hazards.

This tool is not intended for usage with metal or masonry cut-off wheels.

Cutting Capacities

Key Moldings / Positioning	Maximum Size
Base Molding Against Fence *	6-3/4" (172mm)
38° Crown Molding Angled Against Fence *	6-3/4" (172mm)
45° Crown Molding Angled Against Fence *	7-1/2" (191mm)
Crown Molding Flat on Table	14" (356mm)
* Within miter range of 0° to 47° Left	
Miter / Bevel	Maximum Height
0°/ 0°	3-1/2" (89mm)
45°/ 0°	3-1/2" (89mm)
0°/ 45° (Left)	2" (51mm)
0°/ 45° (Right)	1-1/2" (38mm)
Miter / Bevel	Maximum Width
0°/ 0°	14" (356mm)
45°/ 0°	10" (254mm)
0°/ 45° (Left)	14" (356mm)

Unpacking and Checking Contents

Unpacking the Miter Saw

⚠ WARNING To avoid severe pinching, never lift or move this saw by gripping any component of the mechanism support system.

When removing this tool from packaging materials, reach down to the two side carry-handle locations and slowly lift until it clears the package.

Open the top of the package and look for the included loose parts (Fig. 4).

Some small parts must be attached to the tool before it is ready for use.

Checking Contents in Package

Fig. 4

Loose Parts



Check off each part.

Torx Wrench (43)



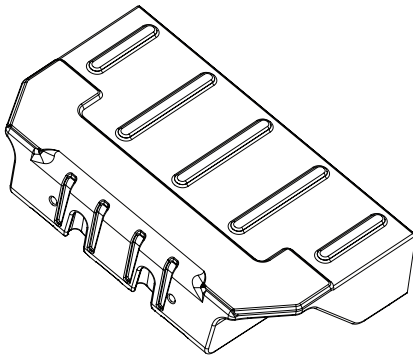
2 Workpiece Clamps (44)



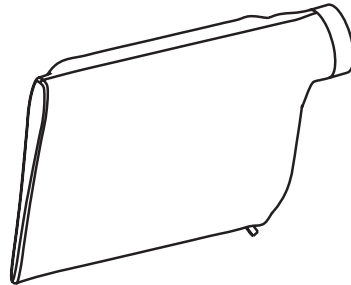
Operating/Safety Instructions



2 Base Extensions (16)



Dust Bag (36)



4 Torx Screws for Base Extensions



Tools Needed For Assembly

Verifying Parts

Check that you have the tools needed for the assembly of the saw, as shown in Fig. 5.

Checking Combination Square

Check that the combination square is true.

1. Position the square and draw a light line as shown in Fig. 6.
2. Flip the square as shown in Fig. 6.
3. Check the edge of the flipped square against the drawn line, and make sure there is no gap or overlap at the bottom end as shown in Fig. 6.

Fig. 5

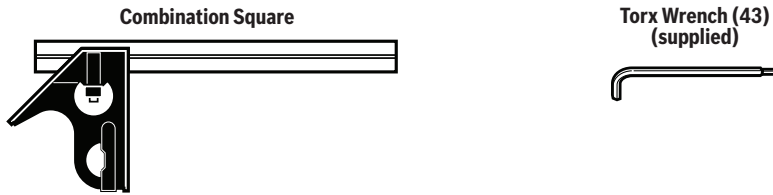
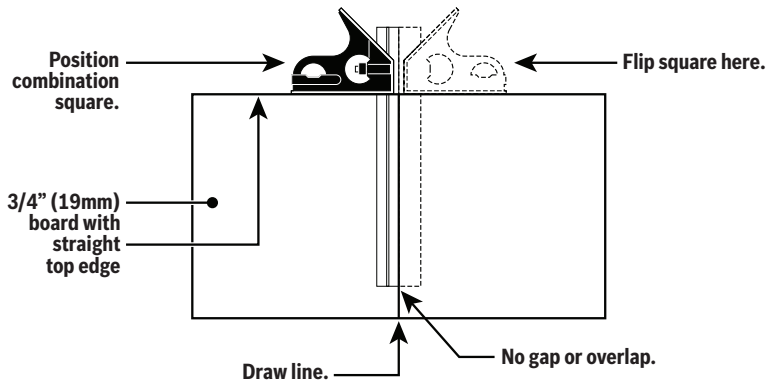


Fig. 6



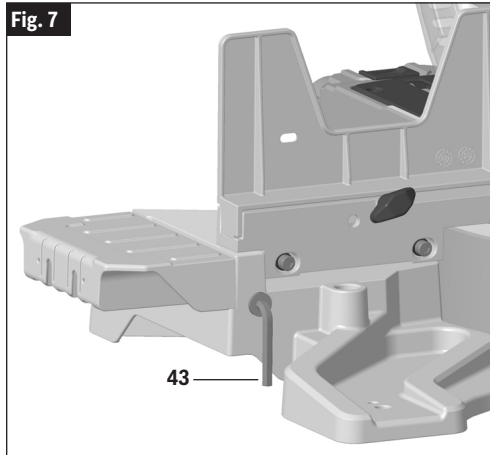
Assembly

⚠ WARNING To avoid possible injury, disconnect battery pack before performing any assembly, adjustments or repairs.

Storing the Torx Wrench

There is a storage location on the saw to store the Torx wrench (Fig. 7, **43**). Insert the short leg of the Torx wrench through the rubber grommet as shown. Place the long leg into the tool rest.

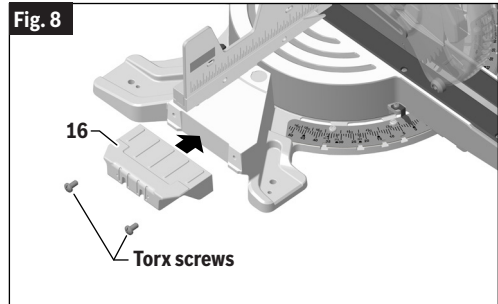
NOTE: The Torx wrench (**43**) is needed to change the blade and to attach the side extensions. If lost, use a Torx 30 wrench or a key.



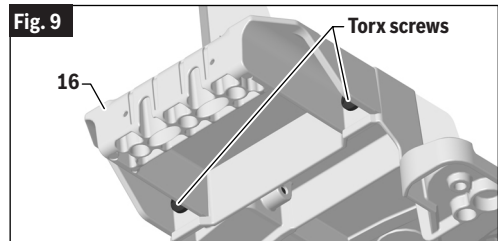
Attaching the Base Extensions

Attach each base extension to the left and right side of the base:

1. Place the base extension (Fig. 8, **16**) flush against the base.



2. Using the Torx wrench (Fig. 7, **43**) and the Torx screws provided (Fig. 8 and Fig. 9), attach the base extension (**16**) to the base.



3. Using the Torx wrench (Fig. 7, **43**), tighten both Torx screws until the base extension is fully seated against the base. Then tighten both Torx screws another 1/8 turn.

NOTE: To avoid overtightening and damaging the threads of the Torx screws, tighten the Torx screws by hand with the Torx wrench (**43**). **Do not** use a power screwdriver or impact wrench on the Torx screws.

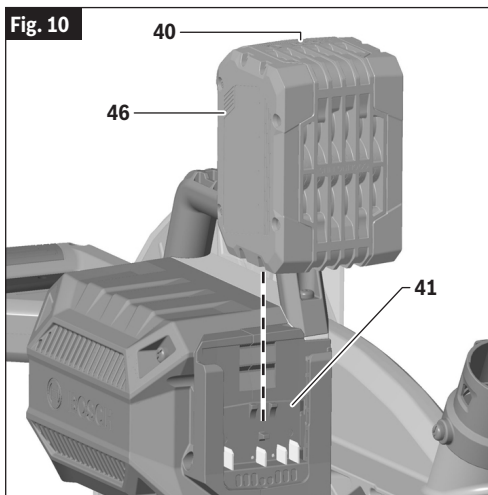
Assembly

Inserting and Releasing Battery Pack

Slide charged battery pack (Fig. 10, **46**) into the battery bay (**41**) until the battery pack locks into position.

Your tool is equipped with a secondary locking latch to prevent the battery pack from completely falling out of the battery bay, should it become loose due to vibration.

To remove the battery pack, press the battery pack release button (**40**) and slide the battery pack completely out of the battery bay.

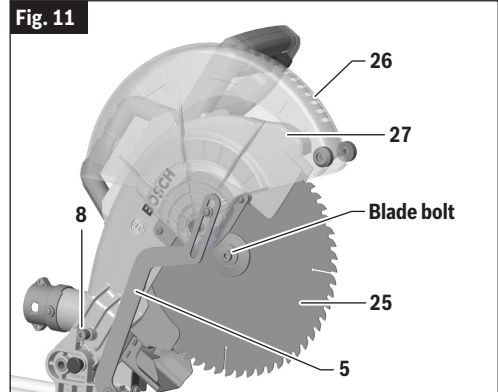


Removing and Installing Blades

Always wear gloves when changing or handling blades. Blade tips can cause personal injury.

Removing Blade

1. Position the saw in the UP position and at 0° bevel. If in the DOWN position: while pressing down slightly on the saw head assembly, and pull out the head assembly lock pin (Fig. 11, **8**). Then slowly allow the saw head assembly to come up.

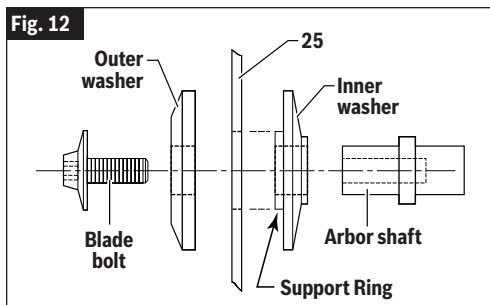


2. Rotate the Lower Blade Guard (**26**) until there is clear access to the Blade Bolt.
3. Press and hold the arbor lock (the red button on the opposite side of the upper guard (**27**)). Rotate the blade (**25**) slowly while pressing the arbor lock until it fully seats into its lock position.
4. Using the Torx wrench (Fig. 7, **43**), loosen the blade bolt by firmly turning it clockwise.

NOTE: This bolt has left-hand threads.

5. Remove the blade bolt and outer washer. Carefully grab the blade. Slide the blade (Fig. 12, **25**) away from the inner washer and off the arbor shaft, then down and away from the saw. Leave the inner washer on the arbor shaft.

Assembly



Installing 12" (305mm) Blade

To avoid injury, do not use a blade larger or smaller than 12" diameter and 1" (25.4mm) arbor. The blade's maximum plate thickness is 0.100" (2.54mm). The blade's maximum kerf thickness is 1/8" (3.175mm).

To reduce risk of injury, use saw blade rated 5000/min (RPM) or greater.

After installing a new blade, make sure the blade does not interfere with the table insert at 0° and 45° bevel positions. **Lower the blade into the blade slot and check for any contact with the base or turntable structure. If the blade contacts base or table, seek authorized service.**

1. If a blade is currently installed, remove it as described in "Removing Blade" on page 19.
2. Carefully handle the new blade. Check that the rotation arrow on the blade matches the rotation arrow on the upper guard. Slide the blade up and between the sides of the chip deflector and over the arbor shaft. Move the blade so its arbor hole goes around the support ring of the inner washer (Fig. 11 and Fig. 12).
3. Place the outer washer over the arbor shaft and finger-tighten the blade bolt (counterclockwise). Check that the blade remained on the inner washer's support ring.
4. Rotate the blade slowly while pressing the arbor lock until it fully seats into its lock position.
5. Using the Torx wrench (Fig. 7, 43), firmly tighten the blade bolt **counterclockwise**.

NOTE: This bolt has left-hand threads. Do not over-tighten. A T30 Torx key may be used as an alternate.

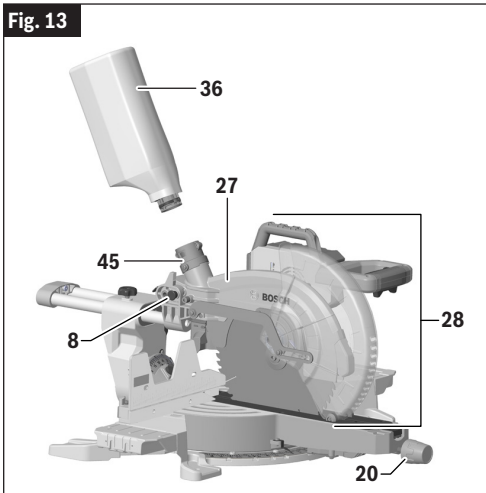
6. Be sure the arbor lock is released so the blade turns freely.
7. Place the Torx wrench (43) back in the storage area.

Assembly

Assembling Dust Collection System

The dust collection system used on this tool is attached to the upper guard (Fig. 13, 27). This placement provides superior dust collection for the majority of cuts. Disconnect battery pack (Fig. 10, 46) before attaching, adjusting or removing any dust collection component.

Fig. 13



Attaching the Dust Bag

Attaching and Removing Dust Bag – To attach the dust bag (Fig. 13, 36), squeeze the two red tabs together and slide the dust bag into the dust port rib.

Using and Cleaning the Dust Bag

⚠ WARNING Be extremely careful when disposing of dust. Materials in fine particle form may be explosive. Do not throw sawdust on an open fire. Spontaneous combustion, in time, may result from the mixture of oil or water with dust particles.

Using Dust Bag – Attach the clean bag to the dust port (Fig. 13, 45).

Cleaning Dust Bag – After the dust bag is 2/3 to 3/4 full, remove it from the saw. Bring the bag to a proper container and pull open the zipper located on the bottom of the bag. Hold the bag by the coupler end and shake it vigorously until all the dust and debris fall from it. Close zipper and reattach the bag.

NOTE: Clean the bag at the end of the cutting session and before transporting or storing the saw.

Attaching a Vacuum Cleaner/Dust Extractor

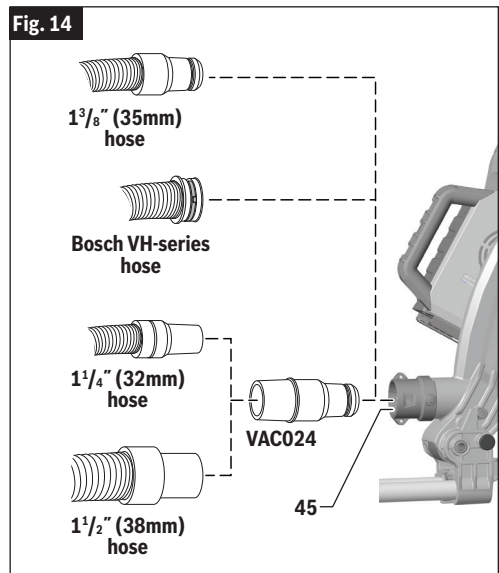
The saw's dust port (Fig. 14, 45) will accept the typical nozzles from 35 mm (13/8") vacuum cleaner hoses, and Bosch VH-Series hoses.

To connect the saw with a 1 1/4" (32 mm) or 1 1/2" (38mm) hose, the Bosch VAC024 adapter can be used (sold separately).

NOTE: the sizes above indicate the hose diameters and not the nozzle diameters.

Attaching to Vacuum – Insert the vacuum nozzle into (or onto) the dust port (Fig. 14, 45) as far as it will go. Check to see that the vacuum hose is free from the mechanism and cutting path before reconnecting battery pack.

Fig. 14



Adjustments

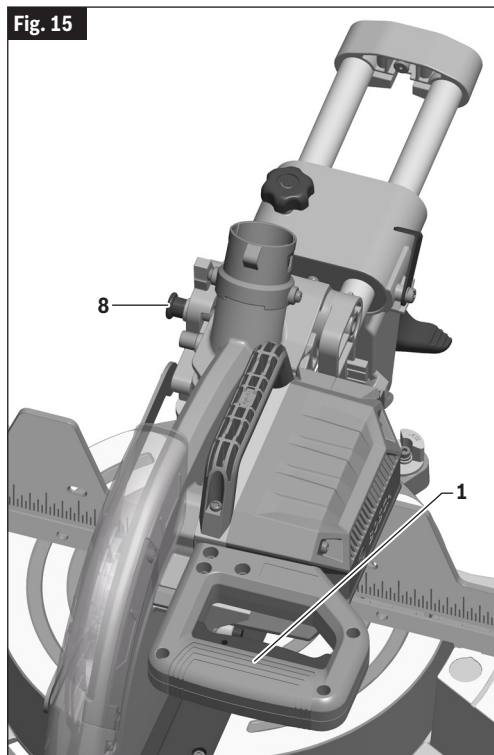
⚠ WARNING To avoid possible injury, disconnect battery pack before performing any assembly, adjustments or repairs.

Using the Head Assembly Lock Pin

Head Assembly Lock Pin

The head assembly lock pin (Fig. 15, **8**) is located on the left side of the pivot post (Fig. 2, **38**). It is used to hold the saw's head assembly (Fig. 13, **28**) in the DOWN position. This position prevents the head from bouncing up and down during transportation. This also makes the saw more compact for lifting and storage. This position is also required for some calibrating procedures.

Fig. 15



3. While pressing the saw head down, push in on the head assembly lock pin (Fig. 15, **8**). Release the head assembly. The head will be locked in the DOWN position.

To Disengage the Head Assembly Lock Pin

1. Grasp the main handle (Fig. 15, **1**) and press down on the head assembly (Fig. 13, **28**).
2. While pressing the head down, pull out the head assembly lock pin (Fig. 15, **8**). Release the lock pin, but maintain your grip on the main handle. Slowly allow the spring-loaded saw head to come up to the top of its travel and then release the handle.

To Engage the Head Assembly Lock Pin

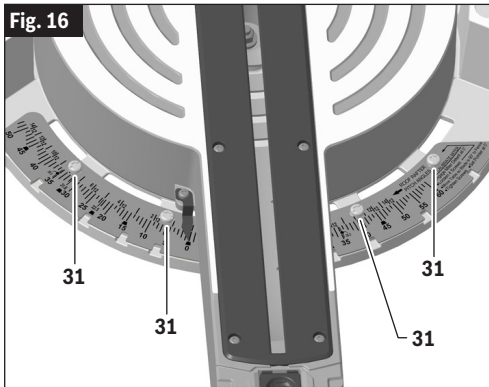
1. Check that the 2x@45 stop is disengaged, or pressed in to the right position. (See "2x@45 Stop" on page 42.)
2. Grasp the saw's main handle (Fig. 15, **1**) and press down on the head assembly (Fig. 13, **28**).

Adjustments

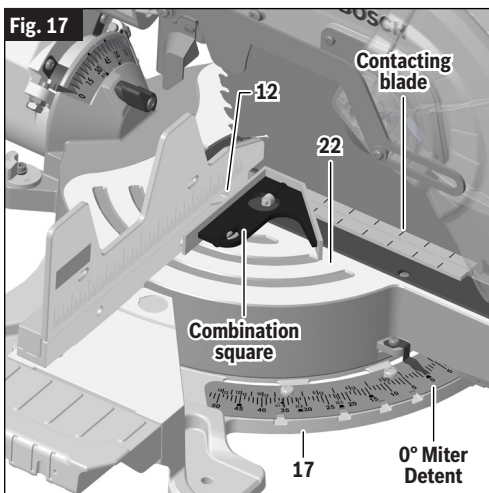
Miter Detent System – Adjustment Procedure

Calibrating Miter Detent System

1. Engage the miter detent at the 0° position. Loosen the miter lock knob (Fig. 13, 20) 1/2 turn.
2. Loosen the 4 screws holding the detent plate (Fig. 16, 31) using the Torx wrench (Fig. 7, 43).
3. Lock head assembly down using the head assembly lock pin (Fig. 13, 8).



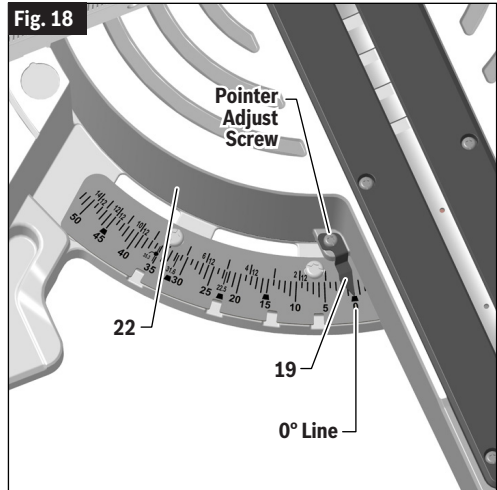
4. Hold one side of a 90° combination square against the fence (Fig. 17, 12) and rotate the table (22) and detent plate (17) until the side of the saw blade is in full contact with the other side of the square.



5. Tighten all four screws. Then loosen and reset the miter scale pointer to the “0” position (Fig. 17).

Miter Scale Pointer Adjustment

1. Rotate table (Fig. 18, 22) to 0° position and lock in place.



2. Raise the head assembly (Fig. 19, 28) to the full UP position.
3. Loosen the pointer adjust screw that holds the miter scale pointer (Fig. 18, 19) in place.
4. Position the pointer to align with the 0° line. Tighten the screw.

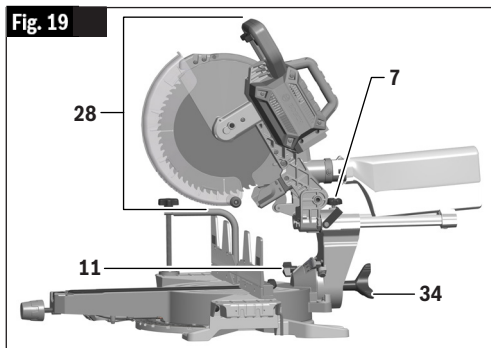
Adjustments

0° Bevel Stop

Checking 0° Bevel Stop Setting

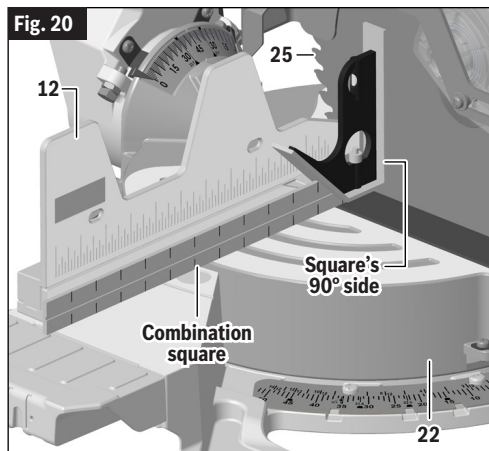
1. Hold the saw head assembly (Fig. 19, **28**) down and push in the head assembly lock pin (Fig. 21, **8**) to keep the saw in the DOWN position.

Fig. 19



2. Slide the saw head assembly (Fig. 19, **28**) completely to the back and engage the slide rail lock knob (**7**) by tightening the knob to the right (clockwise).
3. Rotate the table to the 0° miter position.
4. Rotate the bevel lock knob (**34**) clockwise to unlock the head assembly.
5. Tilt the saw head assembly (**28**) to the left (counterclockwise), then rotate to the right (clockwise) until you feel the stop in the vertical position. This is where the saw is currently set for 0° bevel cut.
6. Use a combination square (Fig. 20) to check that the blade is 90° (square) to the table (**22**). Place the square's ruler edge against the table and slide it to contact the blade (**25**) with the vertical side of the square's head.
7. Check that the saw blade's plate (**25**), not the saw blade's teeth, is touching the square's 90° side. If the saw blade's plate is not in full contact with the square's body 90° side, see "Adjusting 0° Bevel Stop (Blade 90° to Table)."

Fig. 20

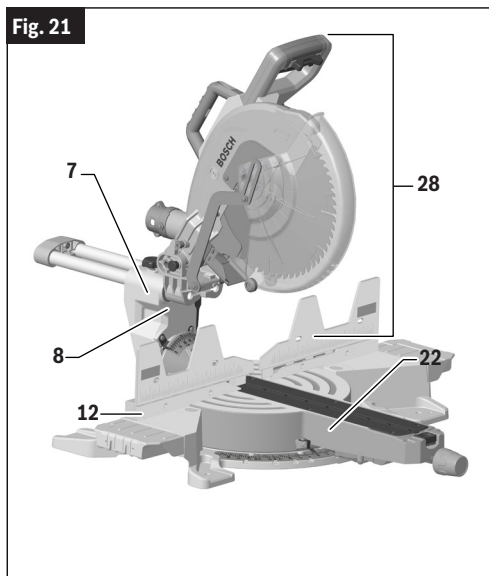


Adjusting 0° Bevel Stop (Blade 90° to Table)

NOTE: Use a 4mm Hex wrench for the adjustment.

1. Lower head assembly (Fig. 19, **28**) and engage head assembly lock pin (Fig. 21, **8**).
2. Slide the head assembly (**28**) completely to the back and engage the slide rail lock knob (**7**) by tightening the knob to the right (clockwise).
3. Rotate the bevel lock knob (**34**) clockwise to unlock the head assembly.

Fig. 21



Adjustments

4. Make sure that the bevel range selector knob (Fig. 19, **11**) is pushed back in position.

- Rotate the 0° bevel adjustment screw (Fig. 22) clockwise to adjust the head to the right.
- Rotate the 0° bevel adjustment screw (Fig. 22) counter-clockwise to adjust the head to the left.

5. Follow the procedure in “Checking 0° Bevel Stop Setting” to check your modifications. If further adjustment is required, repeat the steps above.

Fig. 23

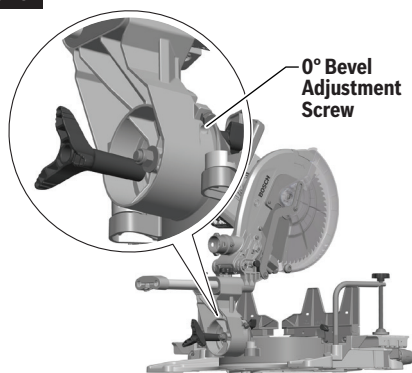
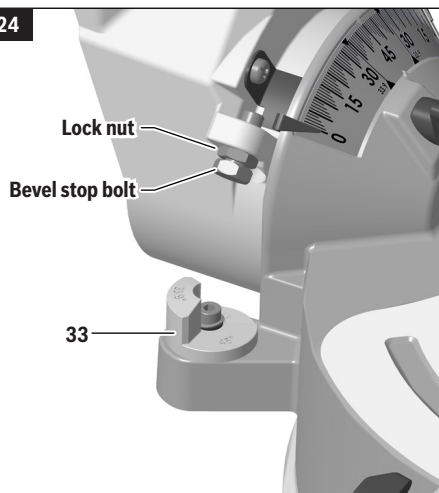


Fig. 24

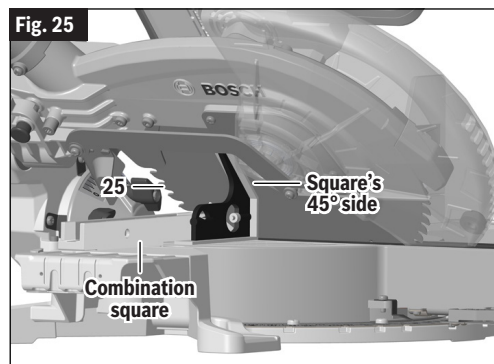


45° Bevel Stop

Checking 45° Bevel Stop Setting

1. Hold the saw head assembly (Fig. 21, **28**) down and push in the head assembly lock pin (**8**) to keep the saw in the DOWN position.
2. Slide the saw head assembly (**28**) completely to the back and tighten the slide rail lock knob (**7**).
3. Rotate the table to the 0° miter position.
4. Rotate the bevel lock knob (Fig. 19, **34**) clockwise to unlock the head assembly.
5. Move the left sliding fence (Fig. 21, **12**) fully to the left.
6. Check the position of the bevel stop indicator (Fig. 23, **33**). It should be at the “45°” position.
7. Tilt the saw head assembly (Fig. 21, **28**) to the left (counterclockwise) until it hits the 45° stop. This is where the saw’s 45° stop is set to make a 45° left bevel cut.
8. Use a combination square to check that the blade is 45° to the table. Remove the rule blade from the combination square (Fig. 24). Place only the combination square’s head on the saw’s table with its long flat side resting on the table and its 45° side against the tilted blade (**25**).

Fig. 25



9. Check that only the plate of the saw blade (Fig. 24, **25**), not teeth, is touching the square’s 45° side. If the saw blade’s plate is not in full contact with the square’s 45° side, follow the procedure “Adjusting 45° Bevel Stop (Saw Blade 45° to Table)” below.

Adjustments

Adjusting 45° Bevel Stop (Saw Blade 45° to Table)

To avoid possible injury, remove battery (Fig. 3, **46**) before performing any assembly, adjustment or repair.

NOTE: Follow instructions when checking 45° bevel adjustment from the left or right side of miter saw.

Calibrating Blade at 45° Bevel

NOTE: Use a 10mm wrench for adjustment.

NOTE: Calibrating the bevel setting automatically calibrates the 33.9° and 45° left or right stops.

1. Lower saw head assembly (Fig. 21, **28**) and engage head assembly lock pin (**8**).
2. Slide the saw head assembly (**28**) completely to the back and tighten the slide rail lock knob (Fig. 25, **7**) by turning it clockwise (to the right).
3. Remove the sliding fences (Fig. 21, **12**) completely to avoid hitting it with the saw head.
4. Check bevel stop indicators located on the left and right side of the bevel post on the table (Fig. 23, **33**). It should be at 45°.
5. Rotate the bevel lock knob (Fig. 19, **34**) clockwise to unlock the head assembly.
6. Locate the bevel stop bolt along the left or right side of the bevel post. This bolt features a lock nut (Fig. 23).
7. Loosen the bevel stop bolt a quarter turn and then loosen the lock nut. When this is complete you will be able to adjust the bevel stop bolt by hand.
 - Rotate the bevel stop bolt clockwise to adjust the head to the left.
 - Rotate the bevel stop bolt counter-clockwise to adjust the head to the right.
8. Follow the procedure in "Checking 45° Bevel Stop Setting" on page 25 to check your modifications. If further adjustment is required, repeat the steps above.
9. Once satisfactory, lock the bevel lock knob (Fig. 19, **34**) at 45° to prevent movement.
10. Finger tighten the lock nut (Fig. 23) in place. Once secured, tighten with wrench.

Transporting and Mounting

⚠ WARNING To avoid possible injury, disconnect battery pack before performing any assembly, adjustments or repairs.

Lifting the Saw

⚠ WARNING To avoid injury, follow all statements identified below by the BULLET (•) symbol.

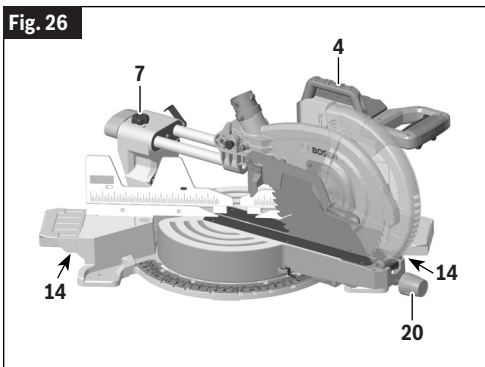
- Never lift the saw by gripping any of the sliding mechanism parts. The saw may move and cause severe injuries to your fingers or hands.
- To avoid back injury, hold the tool close to your body when lifting. Bend your knees so you can lift with your legs, not your back. Lifting the saw from the back is the preferred method. This will tip the tool toward your body.
- Never lift tool by holding switch handle. This may cause serious damage.
- Place the saw on a firm, level surface where there is plenty of room for handling and properly supporting the workpiece.

ONLY lift this saw by the cast-in carry handles at each side of the bottom of the base (Fig. 25, 14) or by the main carry handle (4).

Preparing To Lift The Saw

1. Set bevel angle at 0° and lock in place using the bevel lock knob (Fig. 19, 34).
2. Rotate the table to either 60° or 0° and lock into place using the miter lock knob (Fig. 25, 20).
3. Lock the saw head assembly (Fig. 21, 28) in the DOWN position with the head assembly lock pin (8).

Fig. 26



4. Slide the saw head assembly completely to the front and tighten the slide rail lock knob (Fig. 25, 7) by turning it clockwise (to the right).

Lift the saw by the cast-in carry handles

With the saw facing you and the head mitered to a 60°, the saw head assembly (Fig. 21, 28) locked down, and the head in the forward position with the slide rail knob (Fig. 25, 7) tightened. Grip both cast in carry handles (14) located under the base extensions. Continue to lift and transport comfortably.

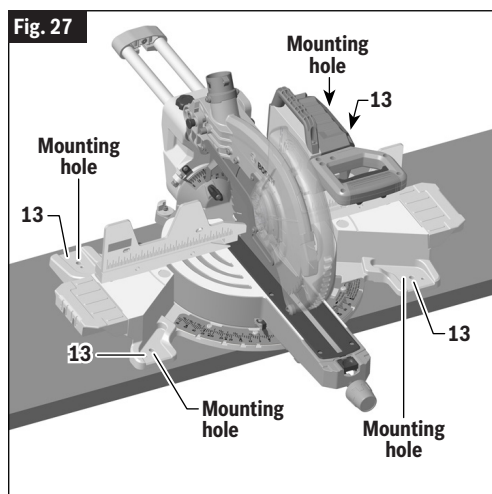
Transporting and Mounting

Mounting Applications

⚠ WARNING Be certain the miter saw is mounted or placed on a level, firm work surface before using. A level and firm work surface reduces the risk of the miter saw becoming unstable.

Workbench Permanent Attachment

1. Each of the four mounting holes (Fig. 26) in the tool mounting pads (13) should be bolted securely using 5/16" (M8) bolts, lock washers and hex nuts (not included).



2. Locate and mark where the saw is to be mounted.
3. Drill four 5/16" (8mm) diameter holes through workbench.
4. Place the miter saw on the workbench, aligning holes in base with holes drilled in workbench. Install bolts, lock washers and hex nuts.

Alternate Attachment

⚠ CAUTION Be careful not to over-drive nail or over-torque the bolt. This could crack foot or damage base.

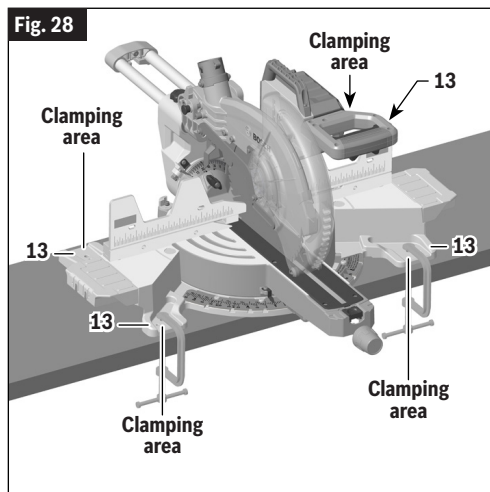
The smaller mounting holes at each corner can be used for nails or longer drywall screws.

The supporting surface where the saw is to be mounted should be examined carefully after mounting to ensure that no movement can occur during use. If any tipping or walking is

noted, secure the workbench or stand before operating the miter saw.

Temporary Mounting Using Clamps

- If necessary, clamp the miter saw to a workbench or table top.
- Place two or more "C" clamps on the clamping areas (Fig. 27) and secure. There are clamping areas at all four corners of the saw.
- Mounting with clamps may prevent access to some wide miter angles.



Preparing for Saw Operations

⚠ WARNING To avoid possible injury, disconnect battery pack before performing any assembly, adjustments or repairs.

Switch Activation

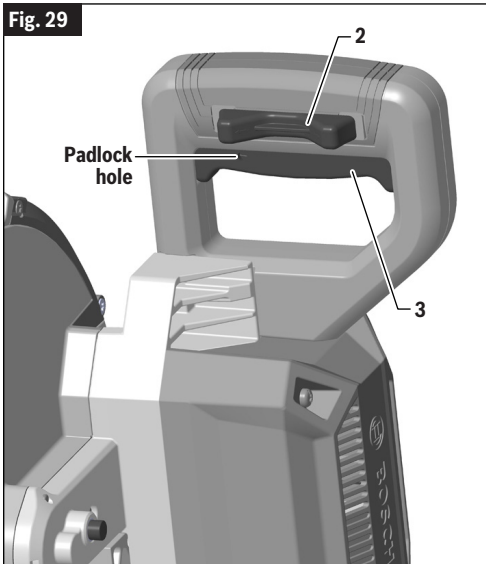
For safety, the power switch (Fig. 28, **3**) is designed to prevent accidental starts. To operate safety switch, slide the switch “Lock-OFF” release buttons (**2**) with either thumb to disengage the lock, then pull the power switch (**3**) trigger and release the switch “Lock-OFF” release button. When the power switch trigger is released, the switch “Lock-OFF” release button will engage the power switch trigger automatically, and the lever will no longer operate until either “Lock-Off” release button is engaged again.

NOTE: Padlock hole (Fig. 28) can accommodate a padlock with a long shackle of up to 5/16” (8mm) in diameter (not provided with miter saw) to prevent unauthorized use.

Built-in LED Light

Your tool is equipped with a powerful LED light for better vis-

Fig. 29



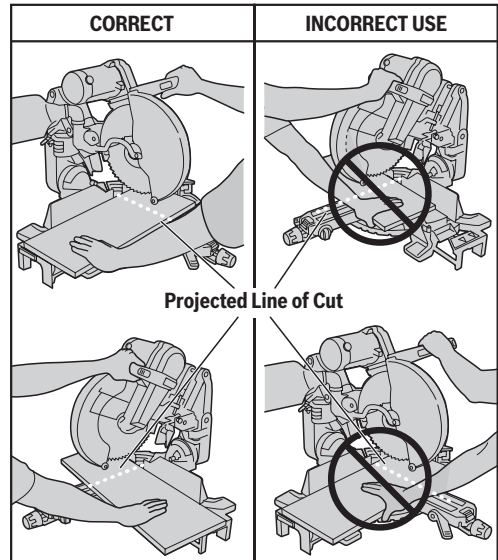
ibility when cutting. The light has the ability to turn on when only partially depressing the trigger (Fig. 28, **3**). The light will stay on for 30 seconds after the trigger has been released. This allows the cut to be more visible.

Body and Hand Position

⚠ WARNING Position your body and hands properly to make cutting easier and safer. Failure to follow all instructions, identified below by bullet (•) symbols, may result in serious personal injury. (See Fig. 29 below.)

- Never place hands near cutting area. Keep hands and arms outside the “NO HANDS” zone.

Fig. 30



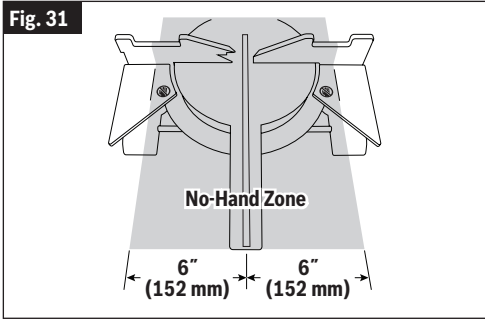
No Hands Zone

The “No Hands Zone” is an area 6 inches (152mm) wide on left and right side of the blade cutting path. Portion of the fence in this area also is considered a part of the “No Hands Zone.”

The “No Hands Zone” for zero miter and zero bevel cuts is marked on the tool with lines and “No Hands” symbols (Fig. 30).

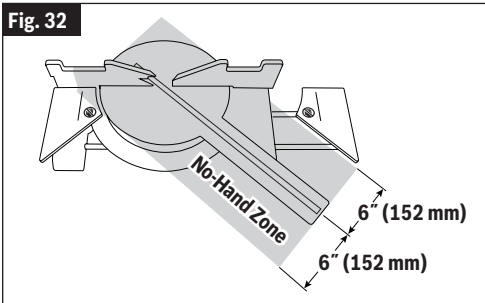
Preparing for Saw Operations

Fig. 31



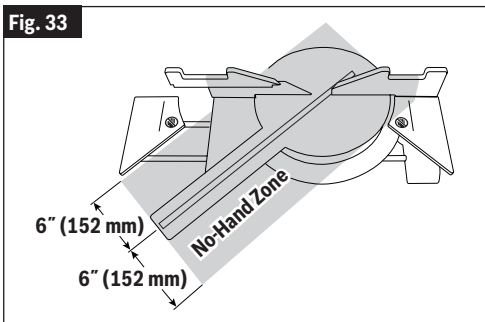
The "No Hands Zone" for all slide and miter right cuts (Fig. 31).

Fig. 32



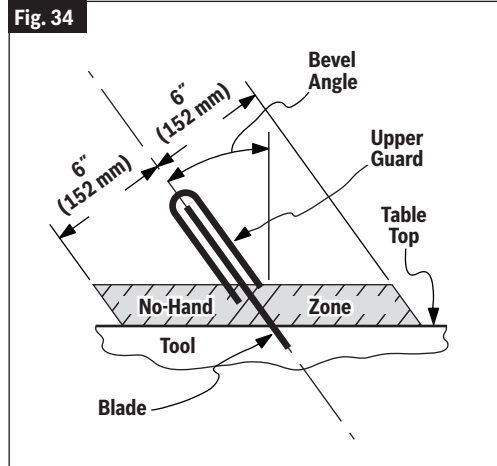
The "No Hands Zone" for all slide and miter left cuts (Fig. 32).

Fig. 33



With all bevel cuts the "No Hands Zone" extends vertically up to the bottom of the upper guard when the head assembly is in the lowest cut position (Fig. 33).

Fig. 34



Use sliding fence outside No Hands Zone

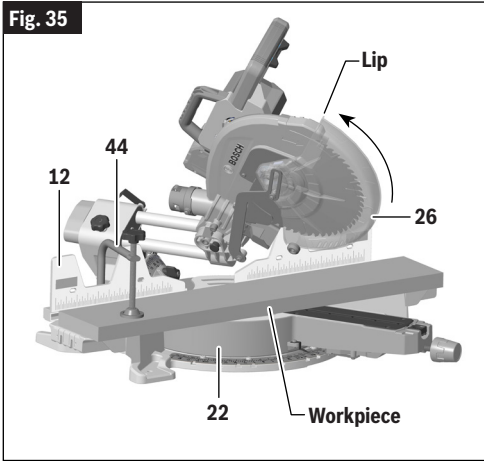
Use sliding fence (Fig. 34, 12) and additional workpiece supports to properly support the workpiece and hold or clamp it outside of the "No Hands Zone" (Fig. 30, Fig. 31, Fig. 32, Fig. 33).

Workpiece can be held against table (Fig. 34, 22) and fence (12) by hand only outside of the "No Hands Zone."

- **Hold workpiece firmly against table and fence to prevent movement.**
- **Keep hands in position until trigger has been released and blade has completely stopped.**
- **Never place hands on mechanism components.**
- **Keep feet firmly on the floor and maintain proper balance.**
- **Follow the miter arm when mitering left or right. Stand slightly to the side of the saw blade.**

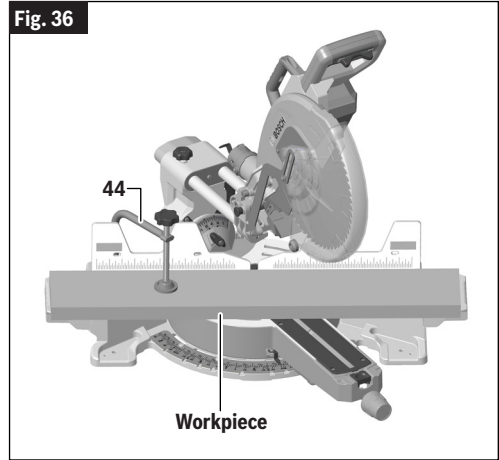
Preparing for Saw Operations

Fig. 35



Start the saw and begin your cut. Once you have cleared the position where the lower guard may bind, release the guard and it will continue to operate automatically as you cut.

Fig. 36



Dry Run

⚠ WARNING Be aware of the path of the saw blade. Make a dry run with the battery pack disconnected and the saw switched OFF by conducting a simulated cutting cycle, and observe the projected path of the saw blade. Keep hands out of the path of saw blade.

It is important to know where the blade will intersect with the workpiece during cutting operations. Always perform the simulated cutting sequence with the battery pack disconnected and the power tool switched OFF to gain an understanding of the projected path of the saw blade. Mentally note where the path of the saw blade will fall and set up your work to keep your hands and arms out of the path of the spinning blade. Adjust your clamps and fences so that the smooth lower guard and cutting action are not interfered with during cutting operation.

Lower Guard

⚠ WARNING The lower guard (Fig. 34, 26) may not automatically open under certain cutting conditions; for example, when trying to cut workpieces that are near the maximum cutting height capacity. Under these conditions or during the blade travel motion of cut, the workpiece can stop the lower guard movement before the downward motion of the arm could pre-open the lower guard.

If this occurs:

Workpiece must be securely clamped with clamp (Fig. 34 and Fig. 35, 44). This frees a hand to raise the lower guard (26) by the lip just enough to clear the workpiece.

Preparing for Saw Operations

Workpiece Support

Clamps

⚠ WARNING There may be extreme compound cuts where a clamp cannot be used. Support workpiece with your hand outside the “No Hands” zone. Do not try to cut short pieces that cannot be clamped and cause your hand to be in the “No Hands” zone.

⚠ WARNING Be aware of the path of the saw blade. Make a dry run with the battery pack disconnected and the saw switched OFF by conducting a simulated cutting cycle, and observe the projected path of the saw blade. Keep hands at least six (6) inches (152mm) away from the projected path of the saw blade.

Using the Workpiece Clamp – This clamp (Fig. 35, 44) easily secures a workpiece to the table or base.

1. Insert the clamp’s knurled bar down into a clamp post hole (Fig. 36, 42). There are two post holes located in the base behind the fence (Fig. 3). The knurled end must be in the post at least 1/2” (13mm).
2. Slide the clamp down until its rubber foot contacts the workpiece.
3. Adjust the clamp height so it does not touch the sliding fence.
4. Rotate the clamp’s knob until the workpiece is firmly held in place.
5. Move saw head up and down and forward and back to be sure it clears the clamp.

Other Clamps – Other hold-down devices such as C-clamps can be used to hold the workpiece firmly against the table (Fig. 36, 22) and the fence (12). Make sure the clamps are clear of the cutting path.

Sliding Fences

⚠ WARNING To provide sufficient spacing (minimum 6”) from hand to saw blade, extend the sliding fences (Fig. 36, 12) when making extreme bevel, miter, or compound cuts.

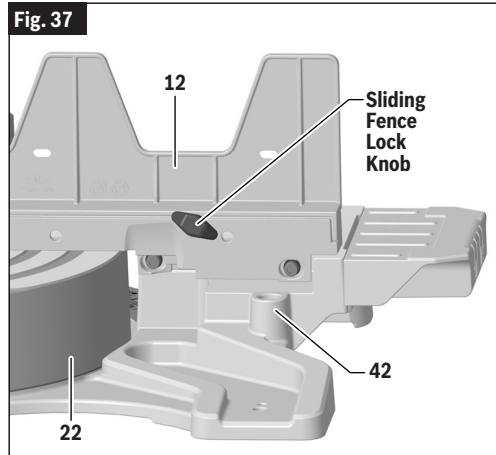
Operating Sliding Fences

1. Loosen the sliding fence lock knob (Fig. 36) counter-clockwise ½ turn to loosen fence.
2. Slide fence (12) to the desired position.
3. Tighten the lock knob clockwise to lock sliding fence position.

Removing Sliding Fences

The sliding fence (Fig. 36, 12) may need to be removed when performing extreme bevel cuts and most compound cuts.

1. Loosen the sliding fence lock knob (Fig. 36) counter-clockwise 6 rotations.
2. Lift and remove sliding fence (12).



Long Workpiece Support

⚠ WARNING Long workpieces have a tendency to tip over unless clamped down and properly supported from underneath.

⚠ WARNING Do not use another person as a substitute for a table extension or as additional support. Unstable support for the workpiece can cause the blade to bind or the workpiece to shift during the cutting operation, causing you to contact the spinning blade.

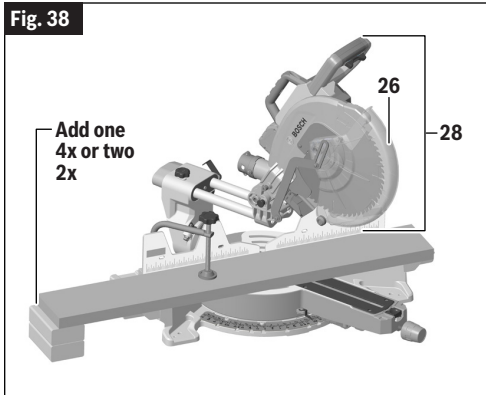
Preparing for Saw Operations

Additional Workpiece Support

⚠ WARNING Always ensure that supporting surfaces are able to properly support the workpiece and allow for secure holding by hand outside of the “No Hand Zone”, or clamping with a clamp inside or outside of the “No Hand Zone.” (See “Body and Hand Position” on page 29 for the “No Hand Zone” and the appropriate hand positions.)

⚠ WARNING Be aware of the path of the saw blade. Make a dry run with the battery pack disconnected and the saw switched OFF by conducting a simulated cutting cycle, and observe the projected path of the saw blade. Keep hands at least six (6) inches (152mm) away from the projected path of the saw blade.

Blocks – Long pieces need extra support. The base height (3-1/2" / 89mm) is designed to match the standard lumber of one 4x or two 2x. Boards of these thicknesses can be used to create auxiliary support extensions for long workpieces (Fig. 37).



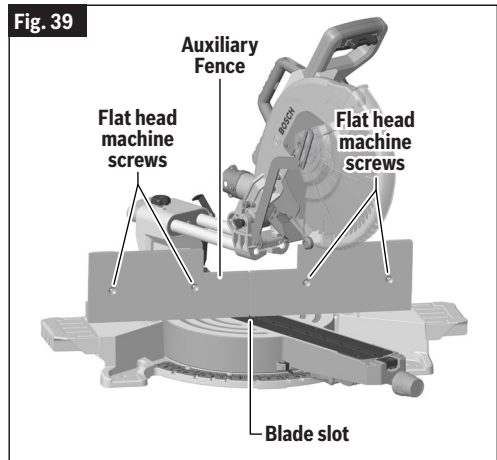
Making an Auxiliary Fence

⚠ WARNING Check for interference between auxiliary fence and saw head components by performing a dry run. Fence interference can prevent proper saw operation and cause injury and/or tool damage.

⚠ WARNING Be aware of the path of the saw blade. Make a dry run with the saw OFF by conducting a simulated cutting cycle, and observe the projected path of the saw blade. Keep hands at least six (6) inches (152mm) away from the projected path of the saw blade.

Certain types of molding need a fence face extension because of the size and position of the workpiece. Holes are provided in the fence to attach an auxiliary fence. Only use the auxiliary fence with the saw in the 0° bevel position.

1. To create an auxiliary fence (Fig. 38), place a piece of wood against the sliding fence (Fig. 36, 12). Wood can have a maximum height of 5-1/2" (140mm). Check that auxiliary fence assembly (Fig. 38) does not interfere with the saw head assembly (Fig. 37, 28).
2. Mark the locations of the support holes on the wood from the back side of the fence.



3. Drill and countersink the holes on the front of the support board.

Preparing for Saw Operations

4. **To fasten from front of fence:** Attach (each) auxiliary fence using two (2) 3/16" (M5) flat head machine screws (Fig. 38). With 3/4" (19mm) auxiliary fence, use 1-1/2" (38mm) long screws. Secure behind metal fence with washer and machine nuts.

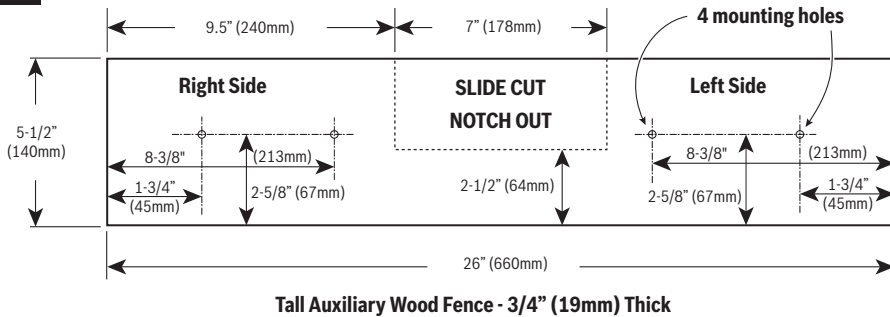
To fasten from back of fence: With 3/4" (19mm) auxiliary fence, use 1/4" (M6) round head wood screws (3/4"/20mm long). Drill four pilot holes through auxiliary fence and run screws from rear of metal fence.

5. Make a full depth cut to create the blade slot. Check for interference between the auxiliary fence (Fig. 38) and the lower blade guard (Fig. 37, **26**). Make adjustments as necessary.

6. For best splinter-free cuts, use the chop cut method.

7. When making slide cuts, the center must be notched out per pattern (Fig. 39).

Fig. 40



Saw Operations

Brake Operation

⚠ WARNING The brake action of this saw is not intended as a safety feature. Remember to let the saw blade come to a complete stop before raising the blade from the workpiece. As always, the guard system is your best protection against unintentional contact with a spinning saw blade. NEVER wedge open or defeat the closing action of the lower guard.

⚠ WARNING Know the charge state of your battery. The electric braking action is initiated ONLY by the release of the trigger switch and in a tool that has power available. When electrical power is lost due to a discharged battery or other causes, the electric brake will not operate, and the motor will gradually slow down. Unexpected run-down time may cause property damage and/or personal injury.

Your saw is equipped with an automatic electric brake which is designed to stop the blade from spinning in about five (5) seconds after you release the trigger switch. It is useful when making certain cuts in wood where a coasting blade would result in a wide, imprecise cut.

Braking starts once the power is turned off.

The brake requires a charged battery to function. Stopping time will vary depending on, among other factors, saw blade used, and number of actuations. The electric brake of your miter saw has been designed for a high degree of reliability, but unexpected circumstances such as contamination or failure of the motor's components can cause the brake to not activate. If the tool operates but the brake does not consistently stop the blade in about 5 seconds, DO NOT use the miter saw and have it serviced by a Bosch Factory Service Center or Bosch authorized service facility.

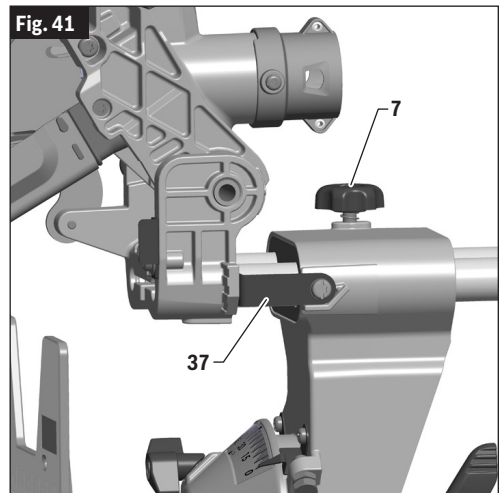
Chop/Crown Lock

This saw is equipped with a Chop/Crown lock feature (Fig. 40, 37) that is intended to lock the head assembly in place while giving the maximum capacity for upright cuts and crown cuts.

Engaging Head for Chopcuts and Crown Molding

To make upright cuts against the fence, up to 6-3/4" tall, engage the Chop/Crown feature:

1. Loosen the slide rail lock knob (Fig. 40, 7) by turning it counterclockwise.
2. Slide the head assembly (Fig. 37, 28) forward and rotate the chop/crown lock (Fig. 40, 37) into position.
3. Lock the slide system in place by turning the Slide Rail Lock Knob clockwise.



Saw Operations

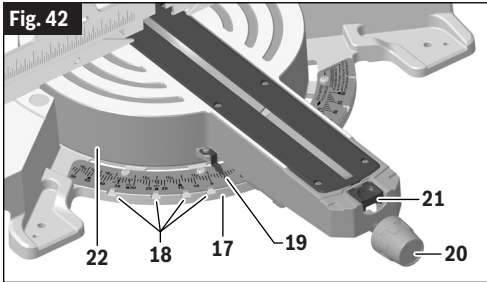
Using the Miter Lock Knob

1. Loosen the miter lock knob.
2. While holding the knob in your palm, push the miter detent button, rotate table left or right to needed miter angle, and release the button.
3. Once at the correct angle, tighten the knob by rotating it clockwise.

NOTE: It is recommended to tighten the miter lock knob before all cuts. It is required to tighten the knob before cutting at any angle between detent engagements or when the miter detent override system is in use.

Using Miter Detent System

1. Loosen the miter lock knob (Fig. 41, 20) about 1/2 turn.
2. Grip the miter lock knob (20), and then push the miter detent override button (21) down with your thumb and



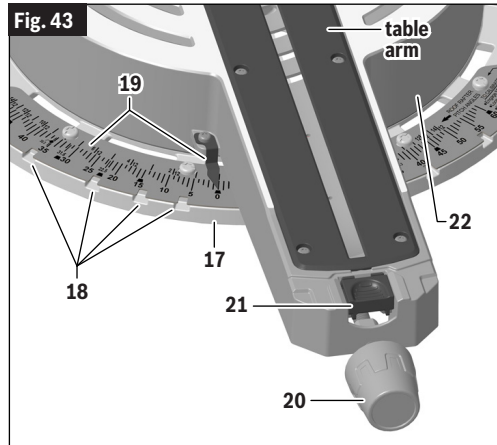
push until the button is out from the detent plate (17).

3. While gripping the miter lock knob (20) and miter detent override button (21), rotate the saw's table (22). Stop table rotation at the desired angle as indicated by the miter scale pointer (19).
4. Release the lever into a detent (18) in the detent plate (17) or at an angle between detents. If close to a detent, use the detent override feature.
5. Tighten the miter lock knob (20) by rotating it clockwise before cutting.

NOTE: It is recommended to tighten the miter lock knob (20) before all cuts. It is required to tighten the knob before cutting at any angle between detents (18) or when the miter detent override system is in use.

Miter Detent Override

The miter detent override button (Fig. 42, 21) allows the miter detent action to be locked out, allowing for micro adjustments at any miter angle. When the desired miter angle is too close to a standard mitering angle that has a detent slot (18), this feature prevents the wedge on the miter detent system from slipping into the detent slot on the miter detent plate (17).



1. Push the miter detent override button (21) down.
2. Push the miter detent override button (21) forward and latch in place under receiving edge on the table arm (Fig. 42).
3. Rotate the table (22) to any position on the miter scale (19).
4. Tighten the miter lock knob (20) by rotating it clockwise to retain the miter position.

To Disengage:

Push down and pull the miter detent override button (Fig. 42, 21) and the table (22) should lock into any desired miter detent (18).

Saw Operations

Chop Cuts

What's a Chop Cut?

- A “chop cut” is a cross-cut made when the saw is held to the rearmost position and is operated like a conventional (non-sliding) miter saw. Using the chop cut method lowers the cross-cutting capacity. However, many users prefer this method because it is quicker when making repeat cuts. This method can also produce more accurate cuts because the saw head is locked in the retracted position.
- This saw has bevel angle stops that accurately stop at critical angles: 45° Left/Right and 0° Right. It comes factory-set and should not require adjustment. However, after extensive use or if the tool has received a hard impact, it may require an adjustment.
- A chop cut can cut pieces with a width of 5-1/2” (140mm) or less.

Preparing for Chop Cut

⚠ WARNING Use clamping position that does not interfere with operation. Before switching “ON”, lower head assembly to make sure clamp clears guard and head assembly.

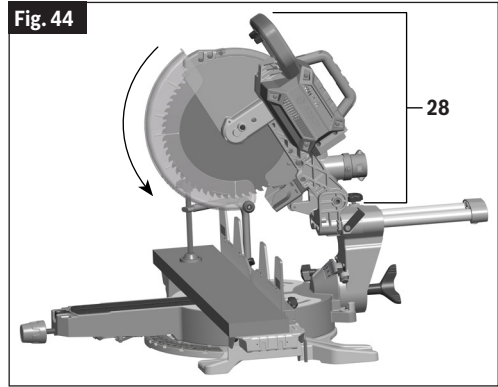
⚠ WARNING Be aware of the path of the saw blade. Make a dry run with the battery pack disconnected and the saw switched OFF by conducting a simulated cutting cycle, and observe the projected path of the saw blade. Keep hands at least six (6) inches (152mm) away from the projected path of the saw blade.

1. With the saw head assembly (Fig. 43, 28) in the UP position, push it back over the fence to the rear.
2. Turn the slide rail lock knob (Fig. 40, 7) clockwise to lock it.
3. Properly position your workpiece and clamp it firmly to the table (Fig. 44, 22), the fence (12), or both.

Making a Chop Cut

1. Activate the switch (Fig. 1, 3), then fully lower the saw head assembly (Fig. 43, 28) to make the cut.
2. Hold the saw head assembly down until the blade comes to a complete stop. Return the the saw head assembly to the UP position. Remove workpiece.

Fig. 44



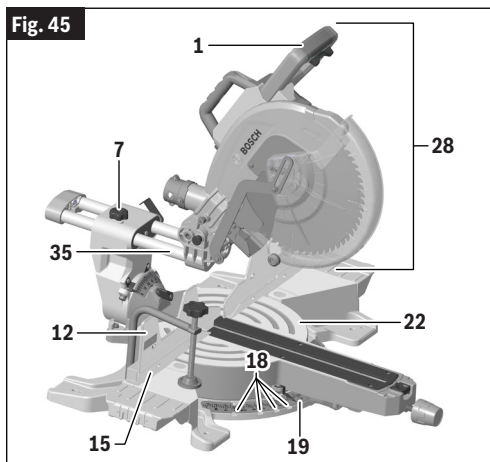
Saw Operations

Slide Cuts

What's a Slide Cut?

⚠ WARNING NEVER pull the saw toward you during a cut. The blade can suddenly climb up on top of the workpiece and force itself toward you.

- A “slide cut” is made with the head assembly (Fig. 44, **28**) unlocked and able to move away from the fence (**12**). This movement is supported and precisely controlled by the slide system (**35**). The maximum cross-cutting capacity is utilized by using this method.
- A slide cut is best used for cross-cutting workpieces



wider than can be done with a chop cut – pieces wider than 5-1/2” (140mm) and up to a maximum width of 14” (356mm) across.

Preparing for Slide Cut

⚠ WARNING Use a clamping position that does not interfere with operation. Before switching “ON,” lower head assembly (Fig. 44, **28**) to make sure clamp clears guard and head assembly.

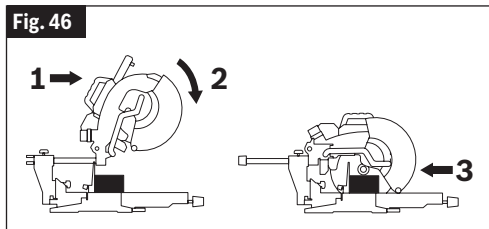
⚠ WARNING Be aware of the path of the saw blade. Make a dry run with the battery pack disconnected and the saw switched OFF by conducting a simulated cutting cycle, and observe the projected path of the saw blade. Keep hands at least six (6) inches (152mm) away from the projected path of the saw blade.

1. Place the saw head assembly (Fig. 44, **28**) in the UP position.
2. Loosen the slide rail lock knob (**7**) by turning it counter-clockwise (to the left).
3. With the head assembly (**28**) in the UP position, move it fully to the front and back to check that the slide system (**35**) moves smoothly.
4. Properly position your workpiece and clamp it firmly to the table (**22**), the fence (**12**), or both.

Making a Slide Cut

1. With the head assembly (Fig. 44, **28**) in the UP position, grasp the main handle (**1**) and move the head assembly fully to the front and away from the fence (**12**).
2. Activate the switch (Fig. 1, **3**), and then fully lower the saw head assembly (Fig. 44, **28**) (Fig. 45, **actions 1 and 2**). On larger pieces, this action may also start the cut.
3. Push down and back so the saw head assembly moves toward the fence (Fig. 44, **12**) and to the full rear position until you complete the cut (Fig. 45, **action 3**).

NOTE: If high resistance is felt, do not apply excessive force – stop cutting, wait until blade stops and investi-



gate problem.

4. Hold the saw head down until the blade comes to a complete stop. Return the saw head to the UP position and remove the workpiece.

Saw Operations

Miter Cuts

What's a Miter Cut?

- A “miter cut” is a cross-cut made with the blade perpendicular to the horizontal table (Fig. 44, **22**). The blade is not tilted and the bevel pointers are both on the 0° lines.
- Miter cuts can be made at any angle across a workpiece within this saw's range, from 52° left to 60° right.
- The miter scale (**19**) shows the angle of the blade relative to the saw's fence (**12**). The miter pointer is attached to the table (**22**) and indicates the saw's miter position before the cut is made.
- Ten positive detents (**18**) are provided for fast and accurate preset miter angles – locations are at 45°, 31.6°, 22.5°, 15° left and right, and center at 0°. The right side has an additional detent of 60°.
- The crown molding detents on the left and right are at 31.6° for compound cutting 38° “spring angle” crown molding lying flat on the table. See “Cutting Crown Molding” on page 45.
- For precision settings at miter angles very close to the miter detents, use the miter detent override to prevent the detent from automatically engaging the detent slot. See “Miter Detent Override” on page 36.

- A miter cut can be made either as a chop cut or slide cut, depending on the width of the workpiece.

Reading the Miter Scale

The miter scale (Fig. 44, **19** and Fig. 46) used on this saw includes several scales of information to help the user accurately preset this saw before making the cuts.

Pitch angle information – The top section of the miter scale (Fig. 46) shows angle settings required to cut roof rafters to the “Pitch Angle” system. 2/2, 4/12, 6/12, etc., are all pitch angles. This system is based on using the English “inches.” A 6/12 pitch angle roof equals a ratio of 6” “rise” for every 12” “run” (Fig. 47).

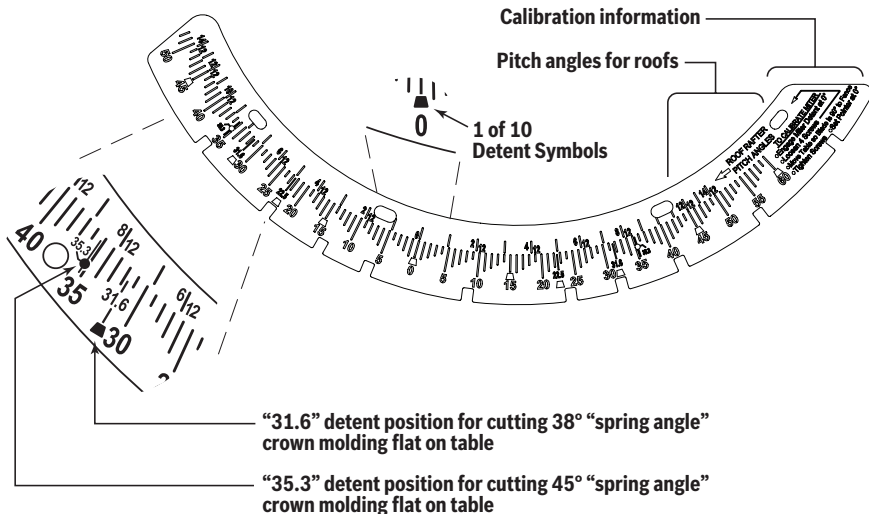
Crown molding information – There are miter position settings for compound-cutting crown molding flat on the table. Crown molding with 38° “spring angle” uses the 31.6 setting (with detent) and crown molding with 45° “spring angle” uses the 35.3 setting.

NOTE: This cutting method also requires that specific bevel angles are set. See “Cutting Crown Molding” on page 45.

Miter cutting 6-3/4” (171mm) base boards – This saw can miter cut 6-3/4” (171mm) tall base boards (Fig. 48) vertically positioned against the fence (**12**) at any angle from 47° left to 47° right miter. All angled cuts must be made with the base board placed on the left side of the table (**22**). For certain cuts, the base board will have to be flipped upside down or placed with the face side against the fence. Always use

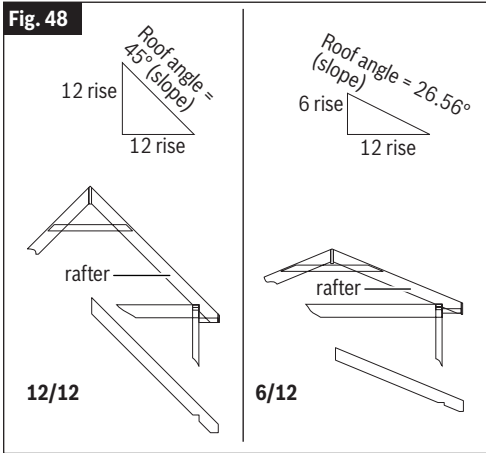
Fig. 47

Miter scale information



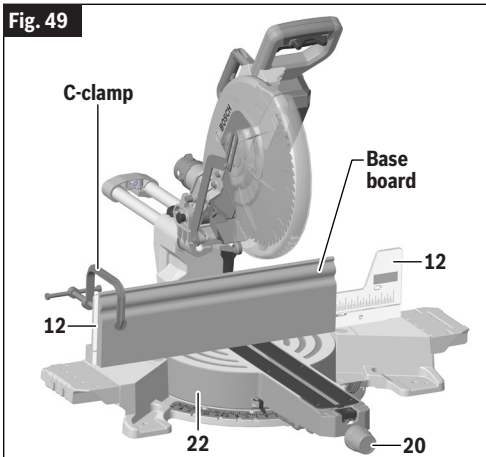
Saw Operations

Fig. 48



a C-clamp (Fig. 48) to hold the base board to the fence before making cuts. Engage the Chop/Crown Lock. See “Chop/Crown Lock” on page 35.

Fig. 49

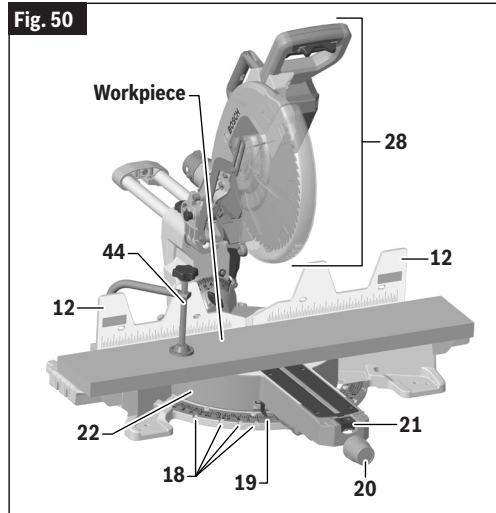


Setting Saw to Make a Miter Cut

⚠ WARNING Use a clamping position that does not interfere with operation. Before switching ON, lower head assembly to make sure clamp clears guard and head assembly.

1. See “Using Miter Detent System” on page 36.
2. Loosen the miter lock knob (Fig. 49, 20). Push miter detent override button (21) and move the saw to the desired angle, using either the detents (18) or the miter scale (19). Tighten miter lock knob (20).
3. Extend the fence (12) on the side on which the cut will be made. See “Workpiece Support” on page 32.

Fig. 50



4. Properly position workpiece. Make sure workpiece is clamped firmly against the table (Fig. 48, 22) with a clamp (Fig. 49, 44) or against the fence with a C-clamp (Fig. 49).
5. Follow either the procedure “Chop Cuts” on page 37 or “Slide Cuts” on page 38.
6. Wait until saw blade comes to a complete stop before returning head assembly (Fig. 49, 28) to the raised position and then remove workpiece.

Saw Operations

Bevel Cuts

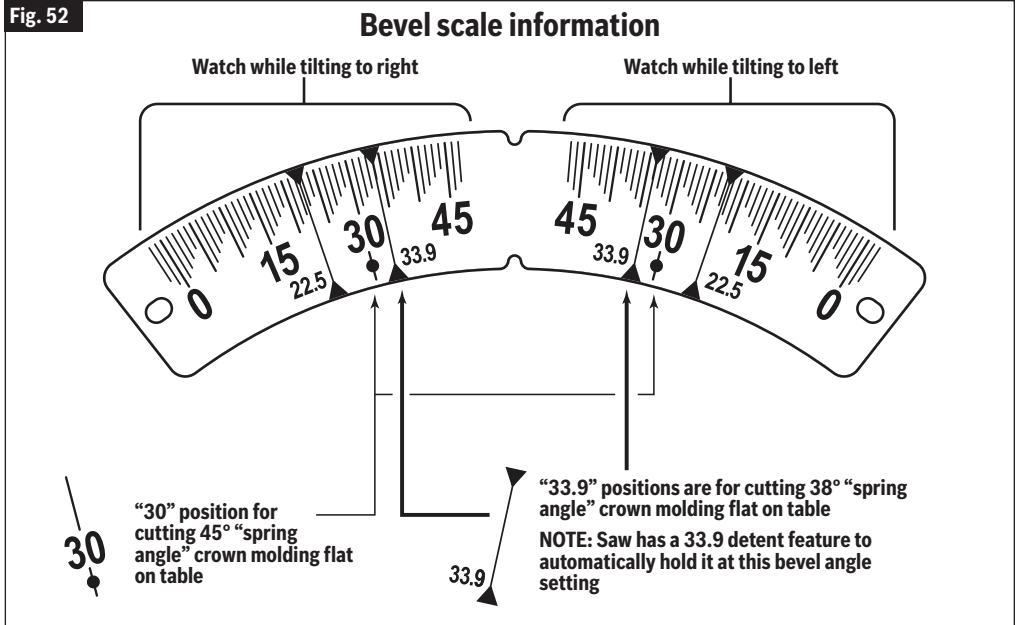
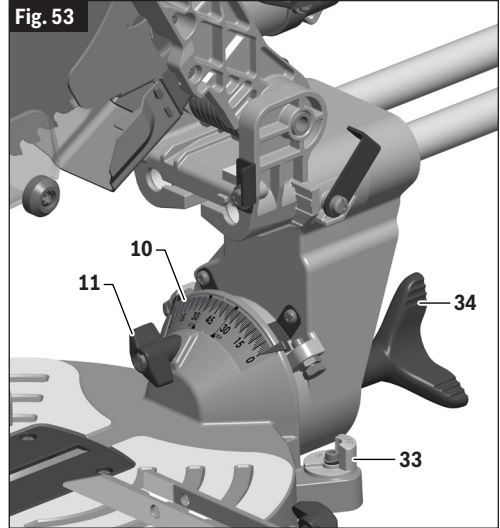
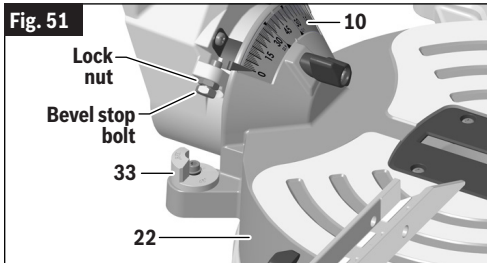
What's a Bevel Cut?

A "bevel cut" is a cross-cut made with the blade perpendicular to the fence (Fig. 49, **12**) and with the table (**22**) set at 0° miter. The blade can be tilted to any angle within the saw's range: 47° left and 47° right from the vertical.

The bevel scale is sized and positioned for easy reading (Fig. 50, **10** and Fig. 51). The bevel lock knob (Fig. 52, **34**) is to lock and unlock the various settings.

Rotating bevel stop indicators (Fig. 50 and Fig. 52, **33**) allow you to set the most common bevel stops: 33.9°, 45° and 47°

Left and Right (Fig. 51). The 33.9° bevel stop is for cutting 38° "spring angle" crown molding flat on the table. For more information, see "Compound Cuts" on page 43.



Saw Operations

Setting Saw to Make a Bevel Cut

1. Extend the fence. See “Sliding Fences” on page 32.

NOTE: Be sure to move the sliding fence (Fig. 49, **12**) away from the blade to avoid cutting into the fence when bevel cutting. The sliding fence may need to be removed when performing extreme bevel cuts and most compound cuts. See “Sliding Fences” on page 32.

2. Rotate the bevel lock knob (Fig. 52, **34**) clockwise to unlock the head assembly.
3. Adjust your left or right bevel stop indicator (**33**) to one of the three pre-set locations, 33.9°, 45°, 47°, or tilt the head assembly (Fig. 49, **28**) until you reach the desired angle on your bevel scale (Fig. 51 and Fig. 52, **10**).

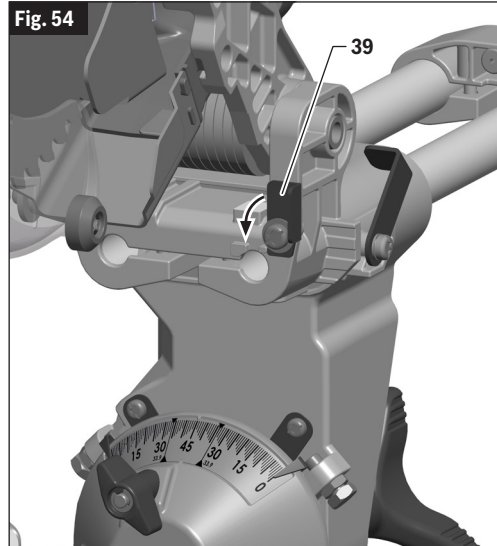
NOTE: To bevel the saw to the right, the Bevel Range Selector Knob must be pulled forward (Fig. 52, **11**).

4. Rotate the bevel lock knob (Fig. 52, **34**) counterclockwise to lock the head assembly.
5. Follow either the procedure “Chop Cuts” on page 37 or “Slide Cuts” on page 38.

2x@45 Stop

Before making a right bevel cut on a workpiece that is thicker than 1 inch (26mm), engage the 2x@45 stop (Fig. 53, **39**) by rotating the lever counterclockwise.

The 2x@45 stop does not have to be engaged for workpieces less than 1 inch (26mm) thick.



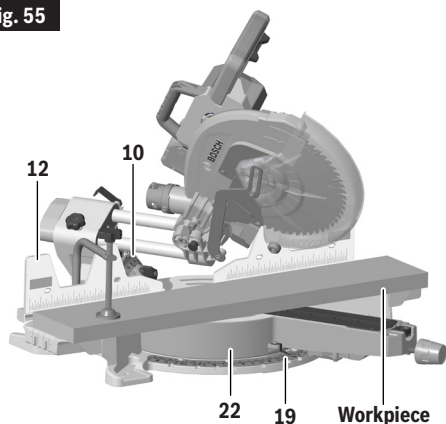
Saw Operations

Compound Cuts

⚠ WARNING For compound cutting, adjust sliding fence (Fig. 54, 12) clear of blade path and guard system.

⚠ WARNING Before sawing, always check that there is no interference between moving and stationary parts of the saw. These miter and bevel combinations may result in interference between the sliding and stationary parts of the saw or between the sliding parts and the work piece.

Fig. 55



Making a Compound Cut

⚠ WARNING Use clamping position that does not interfere with operation. Before switching ON, lower head assembly to make sure clamp clears guard and head assembly.

⚠ WARNING Be aware of the path of the saw blade. Make a dry run with the battery pack disconnected and the saw switched OFF by conducting a simulated cutting cycle, and observe the projected path of the saw blade. Keep hands at least six (6) inches (152mm) away from the projected path of the saw blade.

Follow these instructions for making your compound cut:

1. Extend the fence (Fig. 54, 12).
2. Properly position workpiece. Make sure workpiece is clamped firmly against the table (22) or the fence (12).
3. Set miter angles for miter cuts according to the instructions in "Miter Cuts" on page 39, and set bevel angles for bevel cuts according to the instructions in "Bevel Cuts" on page 41.
4. Follow the procedures "Chop Cuts" on page 37 or "Slide Cuts" on page 38.
5. Wait until saw blade comes to a complete stop before returning head assembly (Fig. 49, 28) to the raised position and then remove workpiece.

Cutting crown molding flat on the table (22) requires compound cuts. See "Cutting Crown Molding" on page 45.

What's a Compound Cut?

- A "compound cut" is a single cross-cut made with the saw blade preset at two angles combining a miter angle (relative to the vertical fence) with a bevel angle (relative to the horizontal table).
- Miter angles will be with the table rotated away from 0° and within this saw's range from 52° left to 60° right.
- A bevel angle is when the blade is tilted away from 0°. This saw's range is from 47° left to 47° right.
- A compound cut can be made as a chop cut or a slide cut. (See "Chop Cuts" on page 37 or "Slide Cuts" on page 38.)

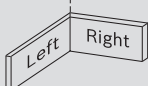
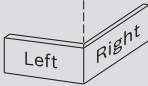
Saw Operations

Cutting Base Molding

Base molding can be cut vertical against fence (Fig. 54, **12**) or flat on the table (**22**). The maximum size that can be vertical on the fence is 6-3/4" (171mm), flat on table is 13-1/2" (343mm).

See the "Base Molding Cutting Instructions" table below for helpful hints on cutting base molding for corners that have 90° angles.

Cutting base molding can be done either as a chop cut or a slide cut depending on the size of the workpiece. (See "Chop Cuts" on page 37 or "Slide Cuts" on page 38.)

Base Molding Cutting Instructions					
LOCATION OF MOLDING ON SAW →		Molding in Vertical Position: Back of molding is against the fence		Molding in Horizontal Position: Back of molding is flat on the table	
Bevel Angle →		Bevel = 0°		Bevel = 45°	
Molding piece being cut →		To left of corner	To right of corner	To left of corner	To right of corner
Inside corner of wall 	Miter Angle	Left at 45°	Right at 45°	0°	0°
	Position of molding on saw	Bottom against table	Bottom against table	Top against fence	Top against fence
	Finished side	Keep left side of cut	Keep right side of cut	Keep left side of cut	Keep left side of cut
Outside corner of wall 	Miter Angle	Right at 45°	Left at 45°	0°	0°
	Position of molding on saw	Bottom against table	Bottom against table	Bottom against fence	Top against fence
	Finished side	Keep left side of cut	Keep right side of cut	Keep right side of cut	Keep right side of cut

Saw Operations

Cutting Crown Molding

Crown molding cuts must be positioned properly to fit exactly.

There are two ways to cut crown molding: flat on table or angled to table and fence.

See the “Miter and Bevel Settings for Standard Crown Molding Cuts (When Workpiece Angled Against Fence)” table below for helpful hints on cutting crown molding for corners that have 90° angles.

Crown molding’s “spring angle” is the angle between the back of the molding and the bottom flat surface that fits against the wall.

This miter saw has special miter detents at 31.6° and bevel detents at 33.9°. These detents allow you to easily position most crown molding flat on the table (Fig. 54, 22) and make precise cuts for 90° corners.

NOTE: These detents cannot be used with 45° crown molding. These detents are only for use with crown molding that has a 38° “spring angle.”

Also see “Crown Molding Lying Flat on Table” on page 47 for miter and bevel angles for cutting crown molding that has 38° and 45° spring angles. The table “Miter and Bevel Settings

for Standard Crown Molding Cuts (When Workpiece Angled Against Fence)” below lists the exact miter and bevel settings required for a wide range of corner angles.

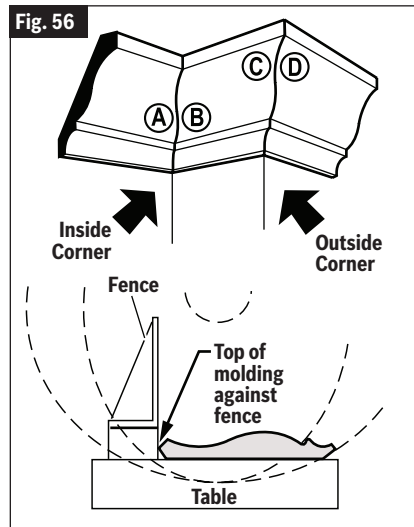
Even though these angles are standards, most rooms do not have angles of exactly 90°; therefore, you will need to fine-tune your settings.

The optional Bosch GAM 220 MF and GAM 270 MFL Digital Anglefinder/Protractors measure spring angles and corner angles, then automatically determine the exact miter and bevel settings necessary to make each crown molding cut fit perfectly.

**Miter and Bevel Settings for Standard Crown Molding Cuts
(When Workpiece Angled Against Fence)**

Any Crown Molding Up To 6" (152mm)		
NOTE: Always place bottom edge against fence	Miter (Table) Setting	Bevel (Tilt) Setting
Inside Corner		
Left end (Fig. 55, A) Use the left end of the cut	45° Right	0° Left
Right end (Fig. 55, B) Use the right end of the cut	45° Left	0° Right
Outside Corner		
Left end (Fig. 55, C) Use the left end of the cut	45° Left	0° Right
Right end (Fig. 55, D) Use the right end of the cut	45° Right	0° Left

Assumptions: Molding is milled consistently. Corner is 90°. For other corner angles, divide actual measurement by 2.



Saw Operations

Crown Molding Angled to Table and Fence

⚠ WARNING Be aware of the path of the saw blade. Make a dry run with the battery pack disconnected and the saw switched OFF by conducting a simulated cutting cycle, and observe the projected path of the saw blade. Keep hands at least six (6) inches (152mm) away from the projected path of the saw blade.

The preferred method for cutting crown molding with this saw is with the molding lying flat on the table.

The advantage to cutting molding angled against fence (Fig. 56, **12**) is that no bevel setting is required. Only the miter angle is adjusted.

The maximum crown molding width that can be cut and angled to table and fence is 6-1/2" (165mm).

When cutting crown molding in this fashion it is recommended to purchase and use the optional Crown Stop Set (Fig. 56). Engage the Chop Crown Lock (**37**).

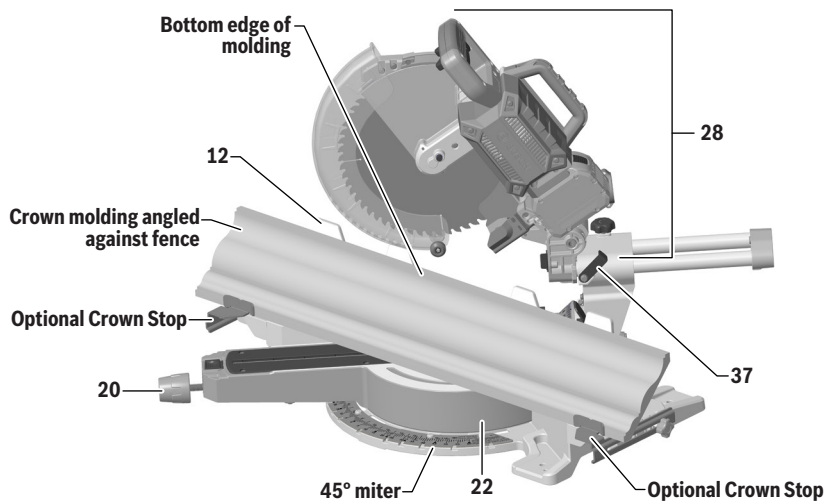
Follow these instructions for cutting crown molding angled to table and fence.

1. Position the molding so the bottom edge (Fig. 56), the decorative part, which is installed against the wall, is against the fence (**12**).

2. For 90° corner, set the miter angle using chart below. Tighten the miter lock knob (**20**).
3. Support crown molding against the fence (**12**). (See "Body and Hand Position" on page 29.)
4. Follow either the procedure "Chop Cuts" on page 37 or "Slide Cuts" on page 38.
5. Wait until saw blade comes to a complete stop before returning head assembly (**28**) to the raised position and then remove workpiece.

NOTE: Always take a test cut using scrap to confirm correct angles.

Fig. 57



Saw Operations

Crown Molding Lying Flat on Table

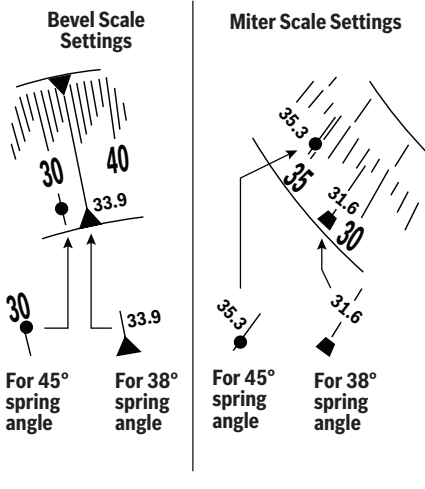
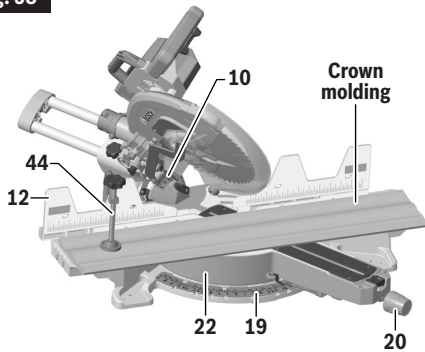
⚠ WARNING Use clamping position that does not interfere with operation. Before switching “ON”, lower head assembly to make sure clamp clears guard and head assembly.

⚠ WARNING Be aware of the path of the saw blade. Make a dry run with the battery pack disconnected and the saw switched OFF by conducting a simulated cutting cycle, and observe the projected path of the saw blade. Keep hands at least six (6) inches (152mm) away from the projected path of the saw blade.

NOTE: Position workpiece with its back flat on the saw table (Fig. 57, 22).

Always place top edge of molding against fence (12). (The decorative edge is at the bottom of crown molding.)

Fig. 58



“Spring angle” refers to angle between wall and crown molding.

Cutting crown molding flat on the table (22) can be done either as a chop cut or a slide cut depending on the width of the workpiece.

For narrow cutoffs when cutting crown flat on table, you will need a special auxiliary fence. See “Making an Auxiliary Fence” on page 33.

1. For 90° corner, set the bevel and miter angles, see the “Miter and Bevel Settings for Standard Crown Molding Cuts (With Molding Flat on Table)” table. Tighten the miter lock knob (20) and the bevel lock knob (Fig. 52, 34).
2. Position molding on saw table (Fig. 57, 22). Clamp workpiece in place using the quick clamp (44).
3. Follow either the procedure “Chop Cuts” on page 37 or “Slide Cuts” on page 38.
4. Wait until saw blade comes to a complete stop before returning head assembly (Fig. 56, 28) to the raised position and then remove workpiece.

NOTE: Always take a cut using scrap to confirm correct angles.

See the “Miter and Bevel Settings for Standard Crown Molding Cuts (With Molding Flat on Table)” table for helpful hints on cutting crown molding for corners that have 90° angles.

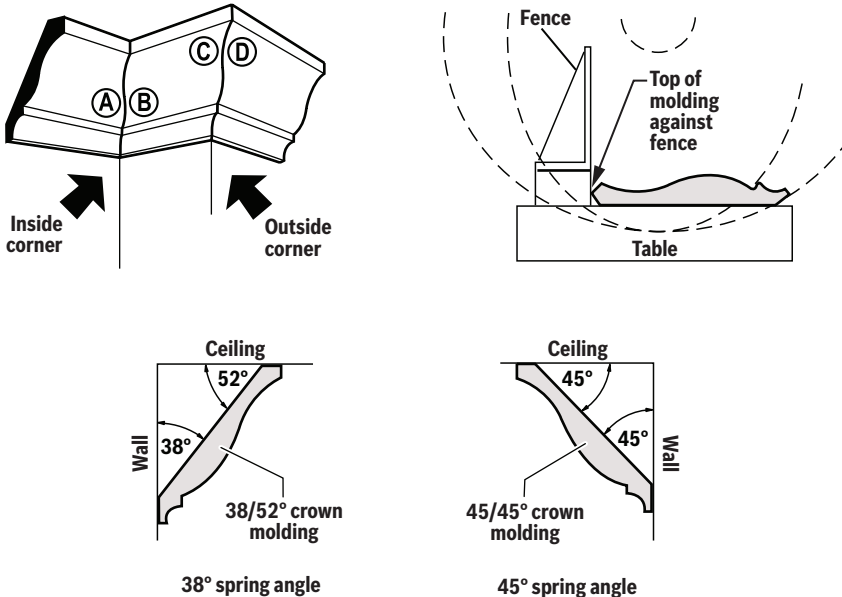
Saw Operations

Miter and Bevel Settings for Standard Crown Molding Cuts (With Molding Flat on Table)

Assumptions: Molding is milled consistently. Corner is exactly 90°.

	Molding Spring Angle 38°		Molding Spring Angle 45°	
NOTE: Always place top edge against fence	Miter (Table) Setting	Bevel (Tilt) Setting	Miter (Table) Setting	Bevel (Tilt) Setting
Inside Corner				
Left end (Fig. 58, A) Use the left end of the cut	31.6° Right	33.9° Left	35.3° Right	30° Left
Right end (Fig. 58, B) Use the right end of the cut	31.6° Left	33.9° Right	35.3° Left	30° Right
Outside Corner				
Left end (Fig. 58, C) Use the left end of the cut	31.6° Left	33.9° Right	35.3° Left	30° Right
Right end (Fig. 58, D) Use the right end of the cut	31.6° Right	33.9° Left	35.3° Right	30° Left

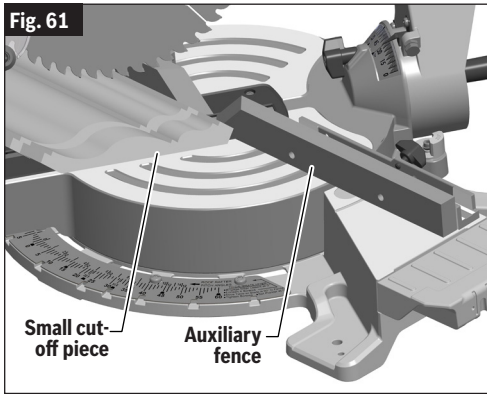
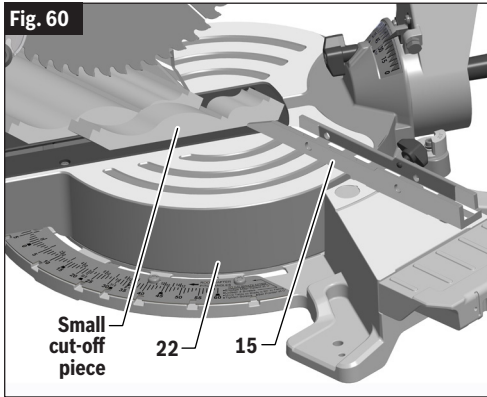
Fig. 59



Saw Operations

Crown Molding Auxiliary Fence

⚠ WARNING When making a compound cut on a molding lying flat on the table, narrow cut-off pieces, 2" (50mm) or less in width, may be propelled at high speed over the fence and beyond the back of the tool (Fig. 59). Use auxiliary fence (Fig. 60) as instructed below.



An auxiliary fence (Fig. 60) is used to add support to the cut-off workpiece such as large crown molding when cut flat on the table (Fig. 59, 22). It will reduce splintering and movement of the unsupported cut-off piece of wood after the cut is made.

Making an Auxiliary Fence

Required pieces:

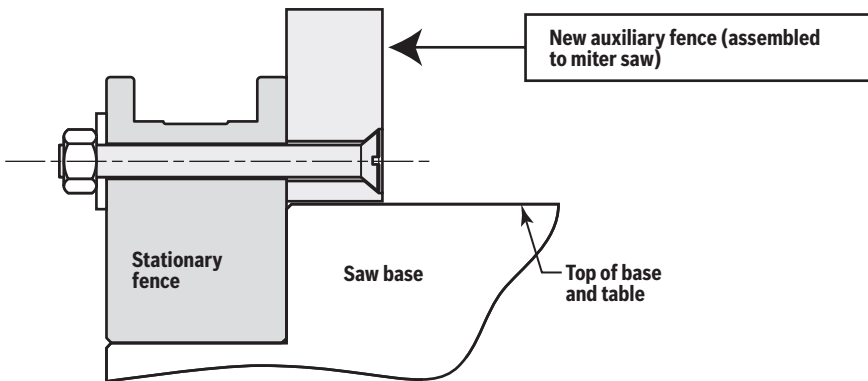
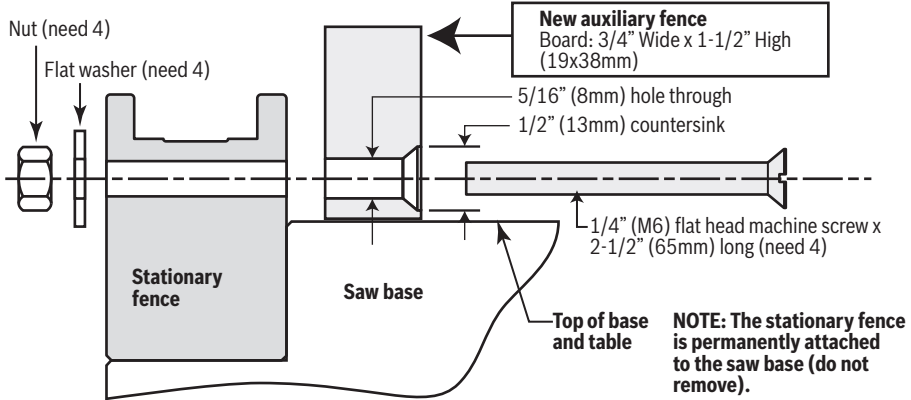
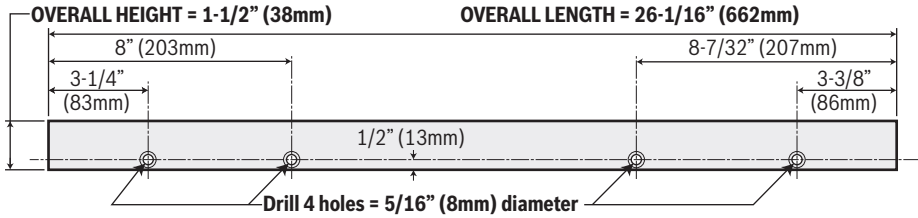
- Wood Board (described below)
- 4 – Flat Head Machine Screws – 1/4" diameter (M6); 2-1/2" (65mm) long
- 4 – 1/4" (M6) Flat Washers
- 4 – Nuts

To make an auxiliary fence:

1. Cut a nominal 1" x 2" wood board to a length of 26-1/16" (662mm) long.
NOTE: 1" x 2" nominal equals 3/4" x 1-1/2" (19x38mm) actual. 3/4" (19mm) plywood cut to size may be substituted.
2. Drill four holes through the board using a 5/16" (8mm) diameter drill bit. Countersink the holes deep enough so that the flat head screws will rest below the front work surface – use a 1/2" (13mm) diameter drill bit (Fig. 61).
3. Remove the saw's sliding fences. See "Sliding Fences" on page 32.
4. Place the flat head screws through the holes in the auxiliary fence, then the holes in the stationary fence on the tool.
5. Place the washers and nuts over the screw threads and against the stationary fence. Tighten nuts.

Saw Operations

Fig. 62



Saw Operations

First-Time Use of the Auxiliary Fence

⚠ WARNING Be aware of the path of the saw blade. Make a dry run with the saw OFF by conducting a simulated cutting cycle, and observe the projected path of the saw blade. Keep hands at least six (6) inches (152mm) away from the projected path of the saw blade.

NOTE: The first time the auxiliary fence is used, it will be cut through by the saw blade – cutting through creates minimal clearance which reduces splintering on the workpiece. Set the miter angle and the bevel angle required before making the first cut.

Clamp the workpiece, then make cut. Example: compound cutting large crown molding flat on the table (Fig. 57).

Auxiliary Fence – Using an Auxiliary Fence when cutting crown molding flat on the table will reduce splintering of your workpiece and movement of small cut-off pieces. Before attaching the auxiliary fence, remove the saw's sliding fences. See "Sliding Fences" on page 32.

Build auxiliary fence by following pattern in Fig. 61 – Material: 3/4" x 1-1/2" (19x38mm) wood.

Add 4 holes as dimensioned on pattern or add holes following the following steps:

1. Cut wood to the outside dimensions shown and temporarily attach to saw's stationary fence (Fig. 57, **12**) using two C-clamps.
2. Use 1/4" (6mm) drill bit to drill first through existing holes in the rear of the stationary fence (**12**) and then through the wood.
3. Remove wood, countersink the front of the wood and permanently attach to saw's fence (**12**) with hardware shown in Fig. 61.

Special Cuts

⚠ WARNING Use clamping position that does not interfere with operation. Before switching on, lower head assembly to make sure clamp clears guard and head assembly.

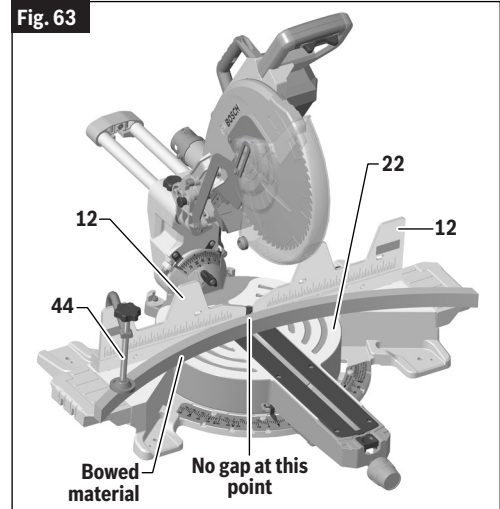
⚠ WARNING Be aware of the path of the saw blade. Make a dry run with the battery pack disconnected and the saw switched OFF by conducting a simulated cutting cycle, and observe the projected path of the saw blade. Keep hands at least six (6) inches (152mm) away from the projected path of the saw blade.

⚠ WARNING To provide sufficient (minimum 6" [152mm]) spacing from hand to saw blade, extend the sliding fence and base extensions when making extreme bevel, miter or compound cuts.

Cutting bowed material and round material are only two examples of special cuts.

Cutting Bowed Material

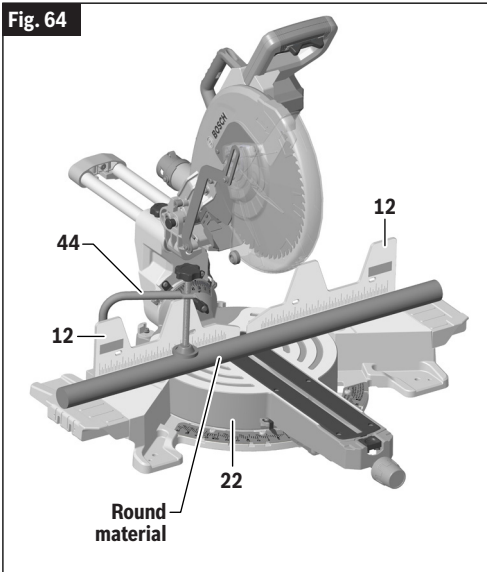
If workpiece is bowed or warped, clamp it with the outside bowed face toward the fence (Fig. 62, **12**). Always make certain that there is no gap between the workpiece, fence and table (**22**) along the line of cut. Bent or warped workpieces can twist or rock and may cause binding on the spinning saw blade while cutting.



Saw Operations

Cutting Round or Irregularly Shaped Material

For round material such as dowel rods or tubing, always use a clamp (Fig. 63, **44**) or a fixture designed to clamp the workpiece firmly against the fence (**12**) and table (**22**). Rods have a tendency to roll while being cut, causing the blade to “bite” and pull the work with your hand into the blade.



Maintenance and Lubrication

⚠ WARNING To avoid accidents, always disconnect battery pack from tool before cleaning or performing any maintenance.

Service

⚠ WARNING All tool service should be performed by a Bosch Factory Service Center or an Authorized Bosch Service Station. Preventive maintenance performed by unauthorized personnel may result in misplacing of internal wires and components which could cause serious hazard.

Batteries

Be alert for battery packs that are nearing their end of life. If you notice decreased tool performance or significantly shorter running time between charges then it is time to replace the battery pack. Failure to do so can cause the tool to operate improperly or damage the charger.

Care of Blades

Blades become dull even from cutting regular lumber. If you find yourself forcing the saw forward to cut instead of just guiding it through the cut, chances are the blade is dull or coated with wood pitch.

When cleaning gum and wood pitch from blade, unplug the saw and remove the blade. Remember, blades are designed to cut, so handle carefully. Wipe the blade with kerosene or similar solvent to remove the gum and pitch. Unless you are experienced in sharpening blades, we recommend you do not try.

Tool Lubrication

Preventive maintenance performed by unauthorized personnel may result in misplacing of internal wires and components which could cause serious hazard. We recommend that all tool service be performed by a Bosch factory Service Center or Authorized Bosch Service Station.

Periodically lubricate moving parts with a silicone, or light oil spray. Do not use grease because it tends to attract and hold sawdust.

Bearings

All bearings in this tool are lubricated with a sufficient amount of high-grade lubricant for the life of the unit under normal operating conditions. No further lubrication is required.

Cleaning

⚠ WARNING Certain cleaning agents and solvents damage plastic parts. Some of these are: gasoline, carbon tetrachloride, chlorinated cleaning solvents, ammonia and household detergents that contain ammonia.

Ventilation openings and switch levers must be kept clean and free of foreign matter. Use a brush to remove dust and debris from the vent openings and the guard mechanisms. Do not attempt to clean by inserting pointed objects through openings.

Regularly check to make sure the lower guard and all moving parts are working properly. Regularly check that the lower guard can move from the fully open to fully closed position without interference. Ensure that the lower guard moves to the fully closed position when the Main Handle is moved to the raised position.

Troubleshooting

Troubleshooting Guide - Electrical

PROBLEM	CAUSE	CORRECTIVE ACTION
Brake does not stop blade in about 5 seconds.	<ol style="list-style-type: none">1. Blade bolt loose.2. Other.	<ol style="list-style-type: none">1. Tighten blade bolt.2. Authorized service.
Motor does not start.	<ol style="list-style-type: none">1. Battery pack not charged.2. Battery pack not installed properly.3. Battery pack temperature is too hot or cold for operation.4. Electronic Motor Protection turned tool off.5. Burned out switch.6. Other.	<ol style="list-style-type: none">1. Charge battery if needed.2. Confirm battery is locked and secured to the tool.3. Let battery sit a few minutes or until it reaches normal operating temperature.4. Remove battery and replace.5. Let tool sit a few minutes or until it reaches normal operating temperature.6. Have switch replaced by an Authorized Bosch Service Center or Service Station.7. Authorized service.
LED light flashing, motor does not start.	<ol style="list-style-type: none">1. Tool is over heated.2. Battery is over heated.	<ol style="list-style-type: none">1. Let tool cool down.2. Exchange the battery.

Troubleshooting

Troubleshooting Guide - General

PROBLEM	CAUSE	CORRECTIVE ACTION
Head assembly does not bevel to desired position.	<ol style="list-style-type: none"> 1. Bevel detent pin is engaged and locks bevel angle at 33.9°. 2. Bevel range selector knob setting limits movement. 	<ol style="list-style-type: none"> 1. Pull out 33.9° bevel detent pin, then rotate pin 1/4 turn to keep out. 2. Change the position of the bevel range selector knob (Fig. 23 on page 25, 33).
Blade hits table.	Misalignment.	Authorized service.
Angle of cut not accurate.	Angle stops at 0° or 45° need adjustment.	See "Adjustments" on page 22.
Cannot rotate table to change miter angle.	<ol style="list-style-type: none"> 1. Miter lock knob is tightened. 2. Miter detent lever is engaged with a detent (slot) in detent plate. 3. Sawdust accumulation. 	<ol style="list-style-type: none"> 1. Turn miter lock knob counter-clockwise to loosen. 2. Disengage detent system from detent slot. See "Miter Detent Override" on page 36. 3. Vacuum or blow out dust around turntable. Wear eye protection.
Head assembly will not fully raise or blade guard will not fully close.	<ol style="list-style-type: none"> 1. Head assembly lock pin is engaged. 2. Sawdust accumulation. 3. Sawdust accumulation. 	<ol style="list-style-type: none"> 1. Pull out the head assembly lock pin, allowing head assembly to go up. See "To Disengage the Head Assembly Lock Pin" on page 22. 2. Clean head assembly. 3. Authorized service.
Blade binds, jams, burns wood. Rough cuts.	<ol style="list-style-type: none"> 4. Improper operation. <ol style="list-style-type: none"> 1. Dull blade. 2. Improper blade. 3. Bent blade. 	<ol style="list-style-type: none"> 1. See "Saw Operations" starting on page 35. 2. Replace or sharpen blade. 3. Replace with 12" (305mm) diameter blade designed for material being cut. 4. Replace blade.
Head assembly slides forward and back when making a chop cut.	Slide rail lock knob has been loosened.	Tighten the slide rail lock knob (Fig. 40 on page 35, 7) by turning it clockwise.

Troubleshooting

PROBLEM	CAUSE	CORRECTIVE ACTION
Tool vibrates or shakes.	<ol style="list-style-type: none"> 1. Saw blade not round. 2. Saw blade damaged. 3. Saw blade loose. 4. Other. 	<ol style="list-style-type: none"> 1. Replace blade. 2. Replace blade. 3. Check that blade is properly seated on the inner washer. See "Removing and Installing Blades" on page 19. 4. Authorized service.
Head assembly does not slide freely when attempting a slide cut.	The slide rail lock knob has been tightened.	Loosen the slide rail lock knob (Fig. 40 on page 35, 7) by turning it counterclockwise.
Blade does not cut completely through workpiece.	Replacement blade is less than 12" (305mm) diameter.	Change to a blade that is fully 12" (305mm) diameter.
Saw blade or lower guard cuts or contacts sliding fence when saw is set for bevel cuts.	Sliding fence is not moved out from path of saw blade before making bevel cut.	Move sliding fence to be clear of lower guard and saw blade. Then perform a "dry run" to check for clearances before making bevel cuts. See "Dry Run" on page 31.

Attachments and Accessories

GAM 220 MF and GAM 270 MFL Digital Angle Finder/Compound Cut Calculator/Protractor/ Level – Gives you the information needed to position cuts so that they fit together precisely even if the room is out of square.

MS1233 Crown Stop Set – Correctly hold crown molding in an inclined position against fence. Set molding for simple vertical cutting – no compound cutting required.

T1B Portable Miter Saw Stand

GTA3800 Portable Miter Saw Stand with Wheels

T4B Gravity-Rise Wheeled Miter Saw Stand

Symboles relatifs à la sécurité





Les définitions ci-dessous décrivent le niveau de gravité pour chaque terme signalant un danger. Veuillez lire le mode d'emploi et lire la signification de ces symboles.	
	C'est le symbole d'alerte relatif à la sécurité. Il est utilisé pour vous avertir de l'existence possible d'un danger de lésion corporelle. Obéissez à tous les messages relatifs à la sécurité qui suivent ce symbole pour éviter tout risque de blessure ou même de mort.
	DANGER indique une situation dangereuse qui, si elle n'est pas évitée, causera la mort d'une personne ou une blessure grave.
	AVERTISSEMENT indique une situation dangereuse qui, si elle n'est pas évitée, causera la mort d'une personne ou une blessure grave.
	MISE EN GARDE indique une situation dangereuse qui, si elle n'est pas évitée, causera une blessure légère ou modérée.

Table de matières

Symboles relatifs à la sécurité	57	Assemblage du système de dépeussierage	76
Avertissements généraux relatifs à la sécurité pour les outils électriques	58	Réglages	77
Consignes de sécurité pour les scies à onglet	60	Utilisation de la broche de verrouillage de l'ensemble de tête	77
Consignes de sécurité additionnelles	62	Système de crans d'onglet – Procédure de réglage	78
Symboles	63	Butée de biseau à 0°	79
Familiarisez-vous avec votre scie à onglet	65	Butée de biseau à 45°	80
Spécifications	69	Transport et montage	82
Utilisation prévue	69	Soulèvement de la scie	82
Coupe de maçonnerie/métal	69	Applications de montage	83
Capacités de coupe	70	Préparation en vue des opérations de la scie	84
Déballage et inspection du contenu	71	Activation par un interrupteur	84
Déballage de la scie à onglet	71	Éclairage à DEL incorporé	84
Vérification du contenu de l'emballage	71	Position du corps et des mains	84
Outils nécessaires pour l'assemblage	72	Support de l'ouvrage	87
Vérification des pièces	72	Opérations de la scie	90
Vérification de l'exactitude de l'équerre combinée	72	Fonctionnement des freins	90
Assemblage	73	Verrou de coupe/couronne	90
Rangement de la clé Torx	73	Utilisation du bouton de verrouillage de l'onglet	91
Fixation des rallonges de la base	73	Utilisation du système de crans d'onglet	91
Insertion et retrait du bloc-piles	74	Neutralisation des crans d'onglet	91
Retrait et l'installation des lames	74		

Table de matières

Coupes de tronçonnage	92	Piles	108
Coupes coulissantes	93	Entretien des lames.....	108
Coupe d'onglets	94	Lubrification de l'outil	108
Coupes en biseau	96	Paliers et roulements	108
Butée 2x@45	97	Nettoyage	108
Coupes composées	98	Recherche de la cause des problèmes	109
Coupe de plinthes	99	Guide de dépannage - Électricité	109
Coupe de moulure couronnée	100	Guide de dépannage - Généralités	110
Coupes spéciales	106	Attachements / Accessoires	111
Maintenance et lubrification	108		
Service après-vente	108		

Avertissements généraux relatifs à la sécurité pour les outils électriques

AVERTISSEMENT Lisez toutes les consignes de sécurité, instructions, illustrations et spécifications fournies avec cet outil électrique. Le non-respect de toutes les instructions figurant ci-après pourrait causer un choc électrique, un incendie et/ou des blessures graves.

CONSERVEZ TOUS LES AVERTISSEMENTS ET TOUTES LES INSTRUCTIONS POUR RÉFÉRENCE FUTURE.

Le terme « outil électrique » dans les avertissements fait référence à votre outil électrique à cordon d'alimentation électrique branché dans une prise secteur ou à votre outil électrique à piles (sans fil).

1. Sécurité de la zone de travail

- Gardez votre zone de travail propre et bien éclairée.** Des zones encombrées ou sombres sont propices aux accidents.
- N'utilisez pas des outils électriques dans une atmosphère explosive, par exemple en présence de liquides, de gaz ou de poussières inflammables.** Les outils électriques produisent des étincelles qui risquent de mettre feu aux poussières ou émanations de fumée.
- Gardez les enfants et les autres personnes présentes à une distance suffisante lorsque vous utilisez un outil électrique.** Des distractions risqueraient de vous faire perdre le contrôle.

2. Sécurité électrique

- La fiche de l'outil électrique doit correspondre à la prise de courant.** Ne modifiez jamais une fiche de quelque façon que ce soit. N'utilisez pas d'adaptateurs de fiches avec des outils électriques mis à la terre/à la masse. L'emploi de fiches non modifiées et de prises de

courant correspondant naturellement aux fiches réduira le risque de choc électrique.

- Évitez tout contact de votre corps avec des surfaces mises à la terre ou à la masse telles que des surfaces de tuyaux, de radiateurs, de cuisinières et de réfrigérateurs.** Il existe un risque accru de choc électrique si votre corps est en contact avec la terre ou la masse.
- N'exposez pas d'outils électriques à la pluie ou à un environnement humide.** La pénétration d'eau dans un outil électrique augmentera le risque de choc électrique.
- N'utilisez pas le cordon de façon abusive.** N'utilisez pas le cordon pour porter, tirer ou débrancher l'outil électrique. Tenez le cordon à distance de toute source de chaleur, d'huile, de bords tranchants ou de pièces mobiles. Des cordons endommagés ou entortillés augmentent le risque de choc électrique.
- Lorsque vous utilisez un outil électrique à l'extérieur, employez un cordon de rallonge approprié pour un emploi à l'extérieur.** L'utilisation d'un cordon approprié pour une utilisation à l'extérieur réduit le risque de choc électrique.

Avertissements généraux relatifs à la sécurité pour les outils électriques

- f. **Si l'utilisation d'un outil électrique dans un endroit humide est inévitable, utilisez une alimentation protégée par un disjoncteur de fuite à la terre.**

L'utilisation d'un tel circuit réduit le risque de choc électrique.

3. Sécurité personnelle

- a. **Faites preuve de vigilance et de bon sens, et observez attentivement ce que vous faites lorsque vous utilisez un outil électrique.** N'utilisez pas un outil électrique si vous êtes fatigué(e) ou sous l'influence de drogues, d'alcool ou de médicaments. Un simple moment d'inattention pendant que vous utilisez un outil électrique pourrait causer une blessure grave.

b. **Utilisez des équipements de protection individuelle.** Portez toujours des équipements de protection des yeux. Des équipements de protection tels qu'un masque de protection contre la poussière, des chaussures de sécurité antidérapantes, un casque ou un dispositif de protection de l'ouïe utilisés en fonction des conditions réduiront le nombre des blessures.

- c. **Prévenez tout risque de mise en marche accidentelle.**

Assurez-vous que l'interrupteur est dans la position d'arrêt (OFF) avant de connecter l'appareil à une source d'alimentation et/ou à un bloc-piles, de le soulever ou de le transporter. Le fait de transporter des outils électriques avec le doigt sur l'interrupteur ou de mettre sous tension des outils électriques avec l'interrupteur en position de marche invite les accidents.

- d. **Retirez toute clé de réglage pouvant être attachée à l'outil avant de mettre l'outil électrique sous tension.**

Une clé laissée attachée à une pièce en rotation de l'outil électrique pourrait causer une blessure.

- e. **Ne vous penchez pas excessivement au-dessus de l'outil.** Veillez à toujours garder un bon équilibre et un appui stable. Ceci permet de mieux contrôler l'outil électrique dans des situations inattendues.

f. **Portez des vêtements appropriés.** Ne portez pas de bijoux ou de vêtements amples. Gardez vos cheveux et vos vêtements à une distance suffisante des pièces mobiles. Les vêtements amples, bijoux ou cheveux longs pourraient être attrapés par des pièces mobiles.

- g. **Si des dispositifs sont fournis pour le raccordement d'accessoires d'extraction et de collecte de la poussière, assurez-vous qu'ils sont connectés et utilisés de façon appropriée.** L'emploi correct des accessoires de collecte de la poussière peut réduire les dangers associés à la poussière.

- h. **Ne laissez pas la familiarité résultant de l'utilisation fréquente des outils vous inciter à devenir**

complaisant(e) et à ignorer les principes de sécurité relatifs aux outils. Une action négligente pourrait causer des blessures graves en une fraction de seconde.

4. Utilisation et entretien de l'outil électrique

- a. **N'imposez pas de contraintes excessives à l'outil électrique.** Utilisez l'outil électrique approprié pour votre application. L'outil électrique correct fera le travail plus efficacement et avec plus de sécurité à la vitesse à laquelle il a été conçu pour fonctionner.

b. **N'utilisez pas l'outil électrique si l'interrupteur de marche/arrêt ne permet pas de le mettre sous tension/hors tension.** Tout outil électrique qui ne peut pas être contrôlé par son interrupteur est dangereux et doit être réparé.

- c. **Débranchez la fiche de la source d'alimentation électrique et/ou retirez le bloc-piles de l'outil électrique (s'il est amovible) avant d'y apporter de quelconques modifications, de changer d'accessoire ou de ranger l'outil électrique.** De telles mesures de sécurité préventives réduisent le risque de déclenchement accidentel de l'outil électrique.

d. **Rangez les outils électriques qui ne sont pas utilisés activement hors de portée des enfants, et ne laissez aucune personne n'ayant pas lu ces instructions et ne sachant pas comment utiliser un tel outil électrique se servir de cet outil.** Les outils électriques sont dangereux quand ils sont entre les mains d'utilisateurs n'ayant pas reçu la formation nécessaire à leur utilisation.

e. **Entretenez de façon appropriée les outils électriques et les accessoires.** Assurez-vous que les pièces en mouvement sont bien alignées et qu'elles ne se coincent pas, qu'il n'y a pas de pièces cassées ou qu'il n'existe aucune situation pouvant affecter le fonctionnement de l'outil électrique. Si l'outil électrique est endommagé, faites-le réparer avant de vous en servir à nouveau. De nombreux accidents sont causés par des outils électriques mal entretenus.

f. **Gardez les outils de coupe tranchants et propres.** Des outils de coupe entretenus de façon adéquate avec des bords de coupe tranchants sont moins susceptibles de se coincer et sont plus faciles à contrôler.

g. **Utilisez l'outil électrique, les accessoires, les embouts de l'outil, etc.** conformément à ces instructions, en tenant compte des conditions de travail et de la tâche à accomplir. L'utilisation de l'outil électrique pour des opérations différentes de celles pour lesquelles il est conçu pourrait causer une situation dangereuse.

Avertissements généraux relatifs à la sécurité pour les outils électriques

- h. **Gardez les poignées et les surfaces de préhension propres, sèches et exemptes de toute trace d'huile ou de graisse.** Les poignées et les surfaces de préhension glissantes ne permettent pas une manipulation et un contrôle sûrs de l'outil dans des situations inattendues.
-
- ### 5. Utilisation et entretien de l'outil électrique à pile
- a. **Ne rechargez l'outil qu'avec le chargeur indiqué par le fabricant.** Un chargeur qui est approprié pour un type de bloc-piles pourrait créer un risque d'incendie quand il est utilisé avec un autre bloc-piles.
- b. **Utilisez votre outil exclusivement avec des blocs-piles conçus spécifiquement pour celui-ci.** L'emploi de tout autre bloc-piles risquerait de causer des blessures et un incendie.
- c. **Lorsque le bloc-piles n'est pas utilisé, gardez-le à une distance suffisante des autres objets en métal, comme des trombones, pièces de monnaie, clés, clous, vis ou autres petits objets en métal qui pourraient faire une connexion entre une borne et une autre.** Le court-circuitage des bornes d'une pile pourrait causer des brûlures ou un incendie.
- d. **Dans des conditions d'utilisation abusives, du liquide pourrait être éjecté de la pile, évitez tout contact avec celui-ci.** En cas de contact accidentel, lavez avec de l'eau. En cas de contact de liquide avec les yeux, consultez un professionnel de santé. Tout liquide éjecté d'une pile peut causer de l'irritation ou des brûlures.
- e. **N'utilisez pas un bloc-piles ou un outil qui est endommagé ou a été modifié.** Des piles endommagées ou modifiées peuvent se comporter de façon imprévisible et causer un incendie ou une explosion, ou entraîner des blessures.
- f. **N'exposez pas un bloc-piles ou un outil à un incendie ou à une température excessive.** L'exposition à un incendie ou à une température supérieure à 130° C / 265° F pourrait causer une explosion.
- g. **Suivez toutes les instructions relatives à la charge et ne chargez pas le bloc-piles ou l'outil en dehors de la plage de température indiquée dans les instructions.** Une charge dans des conditions appropriées ou à des températures en dehors de la plage spécifiée pourrait endommager les piles et augmenter le risque d'incendie.
-
- ### 6. Service après-vente
- a. **Faites entretenir votre outil électrique par un réparateur compétent n'utilisant que des pièces de rechange identiques.** Ceci assurera le maintien de la sécurité de l'outil électrique.
- b. **Ne tentez jamais de réparer des blocs-piles endommagés.** La réparation de blocs-piles ne doit être effectuée que par le fabricant ou un prestataire de services agréé.

Consignes de sécurité pour les scies à onglet

- a. **Les scies à onglet sont conçues pour couper le bois ou des produits similaires au bois; elles ne peuvent pas être utilisées avec des meules de tronçonnage abrasives pour couper des matériaux ferreux tels que des barres, des tiges, des goujons, etc.** De la poussière abrasive causerait le blocage de pièces mobiles telles que le dispositif de protection inférieur. Les étincelles causées par la coupe de matériaux abrasifs brûleront le dispositif de protection inférieur, la plaque amovible à entailler et d'autres pièces en plastique.
- b. **Utilisez des brides de fixation pour supporter l'ouvrage dans la mesure du possible.** Si vous soutenez l'ouvrage à la main, vous devez toujours garder votre main à au moins 10 cm / 4 po de chaque côté de la lame de la scie. N'utilisez pas cette scie pour couper des pièces qui sont trop petites pour être assujetties au moyen de brides de fixation ou tenues à la main en toute sécurité. Si vous placez votre main trop près de la lame de la scie, vous augmentez les risques de vous blesser en cas de contact avec la lame.
- c. **L'ouvrage doit être stationnaire et assujéti au moyen de brides de fixation ou maintenu contre le guide et la table.** Ne poussez pas l'ouvrage à la main en direction de la lame et ne coupez pas « à main levée » de quelque façon que ce soit. Des pièces non retenues ou en mouvement pourraient être projetées à grande vitesse et causer des blessures.
- d. **Poussez la scie à travers l'ouvrage.** Ne tirez pas la scie à travers l'ouvrage. Pour faire une coupe, soulevez la tête de la scie et tirez-la pour la faire sortir de l'ouvrage sans couper, faites démarrer le moteur, appuyez sur la tête de la scie et poussez la scie à travers l'ouvrage. Le fait de couper pendant la partie de l'opération consistant à tirer risque de faire grimper la lame de la scie sur le dessus de l'ouvrage et de projeter violemment l'ensemble de lame vers l'opérateur.

Consignes de sécurité pour les scies à onglet

- e. Ne croisez jamais votre main sur la ligne de coupe prévue, soit devant, soit derrière la lame de la scie.** Il est très dangereux de soutenir la pièce à « mains croisées », c'est-à-dire de tenir l'ouvrage à droite de la lame de scie avec votre main gauche ou vice-versa.
- f. Ne tendez pas la main pour atteindre l'arrière du guide à moins de 10 cm / 4 po de chaque côté de la lame de la scie, pour retirer des débris de bois ou pour toute autre raison pendant que la lame tourne.** La proximité de la lame de scie en train de tourner et votre main n'est pas toujours évidente, et vous pourriez subir une blessure grave.
- g. Inspectez votre ouvrage avant de commencer à couper.** Si l'ouvrage est tordu ou courbé, assujettissez-le de manière que la partie extérieure de la courbure soit face au guide. Assurez-vous toujours qu'il n'y a pas d'espace entre l'ouvrage, le guide et la table le long de la ligne de coupe. Les ouvrages courbés ou tordus peuvent subir une torsion supplémentaire ou bouger, ce qui risquerait d'avoir pour effet que la lame de la scie en train de tourner se coince pendant la coupe. Il ne doit pas y avoir de clous ou de corps étrangers dans l'ouvrage.
- h. N'utilisez pas la scie jusqu'à ce que tous les outils, débris en bois, etc., aient été retirés de la table de travail, et qu'il ne reste plus que l'ouvrage.** De petits déchets ou des morceaux de bois non sécurisés, ou d'autres objets qui pourraient entrer en contact avec la lame en train de tourner, risqueraient d'être projetés à grande vitesse.
- i. Ne coupez qu'un ouvrage à la fois.** Il n'est pas possible d'assujettir par des brides de fixation ou de sécuriser par ailleurs de multiples ouvrages à la fois de façon adéquate, et ils risqueraient de se coincer sur la lame ou de changer de position pendant la coupe.
- j. Vérifiez que la scie à onglet est montée ou placée sur une surface de travail ferme et de niveau avant de commencer à utiliser la scie.** Une surface de travail ferme et de niveau réduit le risque de rendre la scie à onglet instable.
- k. Planifiez votre travail.** Chaque fois que vous modifiez le réglage de l'angle du biseau ou de l'onglet, assurez-vous que le guide réglable est correctement réglé pour supporter l'ouvrage et qu'il n'interfère pas avec la lame ou le système de protection. Sans mettre l'outil sous tension (« ON ») et sans ouvrage à usiner sur la table, déplacez la lame de scie à travers une coupe simulée complète pour vous assurer qu'il n'y aura pas d'interférence ou de risque de couper le guide.
- l. Prévoyez un support adéquat tel que des rallonges de table, des chevalets de sciage, etc.** si votre ouvrage est plus large ou plus long que le dessus de la table. Les ouvrages plus longs ou plus larges que la table de la scie à onglet risquent de basculer s'ils ne sont pas solidement supportés. Si l'ouvrage ou la partie coupée de l'ouvrage bascule, ceci risque de soulever le dispositif de protection inférieur, ou l'ouvrage peut être projeté par la lame en train de tourner.
- m. Ne demandez pas à une autre personne de tenir l'ouvrage à la place d'une rallonge de table ou d'un dispositif de support supplémentaire.** Un support instable pour l'ouvrage peut entraîner le coincement de la lame ou le déplacement de l'ouvrage à usiner pendant l'opération de coupe, vous entraînant ainsi que la personne qui vous aide vers la lame en rotation.
- n. La partie coupée de l'ouvrage ne doit être coincée ou assujettie d'aucune façon contre la lame de scie en train de tourner.** Si elle est confinée, par exemple en conséquence de l'utilisation de butées de longueur, la pièce coupée pourrait être coincée contre la lame et projetée violemment.
- o. Utilisez toujours une bride de fixation ou un dispositif conçu pour supporter adéquatement des matériaux ronds tels que des tiges ou des tubes.** Les tiges ont tendance à rouler pendant la coupe, ce qui fait que la lame « mord » l'ouvrage et l'attire ainsi que votre main dans la lame.
- p. Attendez que la lame atteigne sa vitesse maximum avant de la mettre en contact avec l'ouvrage.** Ceci réduira le risque de projection de l'ouvrage.
- q. Si l'ouvrage ou la lame se coince, éteignez la scie à onglet.** Attendez que toutes les pièces mobiles s'arrêtent et débranchez la fiche de la source d'alimentation et/ou retirez le bloc-piles. Puis efforcez-vous de dégager la pièce coincée. Si vous continuez à scier alors que l'ouvrage est coincé, vous risquez de perdre le contrôle de la scie à onglet ou de l'endommager.
- r. Après avoir terminé la coupe, relâchez l'interrupteur, tenez fermement la scie avec la tête en bas et attendez que la lame cesse de tourner avant de retirer la partie de l'ouvrage qui a été découpée.** Il est dangereux d'étendre la main près d'une lame en train de tourner.
- s. Tenez fermement la poignée lorsque vous effectuez une coupe incomplète ou lorsque vous relâchez l'interrupteur avant que la tête de la scie ne soit en position complètement abaissée.** L'action de freinage de la scie peut entraîner une chute brutale de la tête de la scie, ce qui risque de provoquer des blessures.
- t. Évitez de causer la surchauffe des pointes de la lame de la scie.**

Consignes de sécurité additionnelles

Les disjoncteurs de fuite à la terre et les dispositifs de protection personnelle comme les gants et les chaussures en caoutchouc d'électricien renforceront votre sécurité personnelle.

N'utilisez pas d'outils conçus pour le courant alternatif uniquement avec une alimentation en courant continu. Même si l'outil semble fonctionner, les composants électriques de l'outil à courant alternatif sont susceptibles de tomber en panne et de présenter un danger pour l'opérateur.

Gardez les poignées propres, sèches et exemptes de toute trace d'huile ou de graisse. Des mains graisseuses ne permettent pas de contrôler un outil électrique en toute sécurité.

Préparez un calendrier d'entretien périodique pour votre outil. Lors du nettoyage d'un outil, veillez à ne pas démonter une partie quelconque de l'outil étant donné que des fils internes pourraient être déplacés ou pincés et que les ressorts du dispositif de protection pourraient être montés de façon incorrecte. Certains produits de nettoyage tels que l'essence, le tétrachlorure de carbone, l'ammoniac, etc. peuvent endommager les pièces en plastique.

AVERTISSEMENT Des travaux de ponçage, de sciage, de meulage et de perçage réalisés avec un outil électrique et d'autres travaux de construction peuvent produire des poussières contenant des produits chimiques qui sont des causes reconnues de cancer, de malformation congénitale ou d'autres problèmes reproductifs. Ces produits chimiques sont, par exemple :

- le plomb provenant de peinture au plomb,
- des cristaux de silice provenant des briques et du ciment, ainsi que d'autres produits de maçonnerie, et
- de l'arsenic et du chrome provenant de bois de construction traité par des produits chimiques.

Le niveau de risque causé par de telles expositions varie en fonction de la fréquence de ces types de travaux. Pour réduire l'exposition à ces produits chimiques, il est utile de travailler dans un lieu bien ventilé et de porter un équipement de sécurité approprié tel que certains masques à poussière conçus spécialement pour filtrer les particules microscopiques.

AVERTISSEMENT N'utilisez pas la scie à onglet Bosch GCM18V-12SD pour couper des panneaux de fibrociment. La coupe de matériaux contenant de la silice cristalline peut créer des expositions à de la poussière de silice respirable.

AVERTISSEMENT Lisez attentivement tous les avertissements figurant sur votre scie à onglet avant de vous en servir à chaque fois.



Pendant leur fonctionnement, les outils électriques peuvent projeter des corps étrangers dans les yeux de leur utilisateur et lui infliger de graves blessures aux yeux. Portez toujours des






lunettes de sécurité répondant à la norme ANSI Z87.1 (tel qu'indiqué sur l'emballage) avant de commencer à utiliser un outil électrique.

AVERTISSEMENT N'utilisez pas cette scie à onglet sans que les rallonges de la base aient été correctement installées. L'absence d'un support d'ouvrage approprié peut entraîner des blessures corporelles.

	<p>Do not carry the saw by this handle. Ne portez pas la scie par cette poignée. No transporte la sierra por este mango.</p>
<p>ZONES DE RISQUE DE CHOC EN RETOUR</p>	<p>ZONE DÉSIGNÉE D'INTERDICTION DE PRÉHENSION POUR LE TRANSPORT</p>
<p>Évitez d'y placer les mains, les doigts ou les bras.</p>	<p>Une zone dangereuse – ne soulevez ou ne transportez jamais la scie par la poignée de l'interrupteur d'alimentation secteur.</p>









Symboles

Important : Certains des symboles suivants peuvent être utilisés sur votre outil. Veuillez les étudier et apprendre leur signification. L'interprétation correcte de ces symboles vous aidera à mieux utiliser votre outil et à vous en servir plus efficacement et en toute sécurité.

Symbole	Désignation / Explication
V	Volts (tension)
A	Ampères (courant)
Hz	Hertz (fréquence, cycles par seconde)
W	Watts (puissance)
kg	Kilogrammes (poids)
min	Minutes (temps)
s	Secondes (temps)
CFM	Pieds cubes par minute [ou pi ³ / min] (débit d'air)
∅	Diamètre (taille des mèches, des meules, etc.)
n_0	Vitesse à vide (vitesse de rotation à vide)
n	Vitesse nominale (vitesse maximum possible)
.../min	Révolutions ou mouvements alternatifs par minute (révolutions, coups, vitesse de surface, orbites, etc. par minute)
0	Position d'arrêt (vitesse nulle, couple nul...)
1, 2, 3, ... I, II, III,	Réglages du sélecteur (réglages de vitesse, de couple ou de position. Un chiffre plus élevé signifie une plus grande vitesse)
	Sélecteur infiniment variable avec arrêt (la vitesse augmente à partir du réglage 0)
	Flèche (action dans le sens de la flèche)
~	Courant alternatif (type ou caractéristique du courant)
≡	Courant continu (type ou caractéristique du courant)
	Courant alternatif ou continu (type ou caractéristique du courant)
	Construction de classe II (désigne des outils de construction à double isolation)
	Borne de mise à la terre (borne de mise à la masse)

Symboles

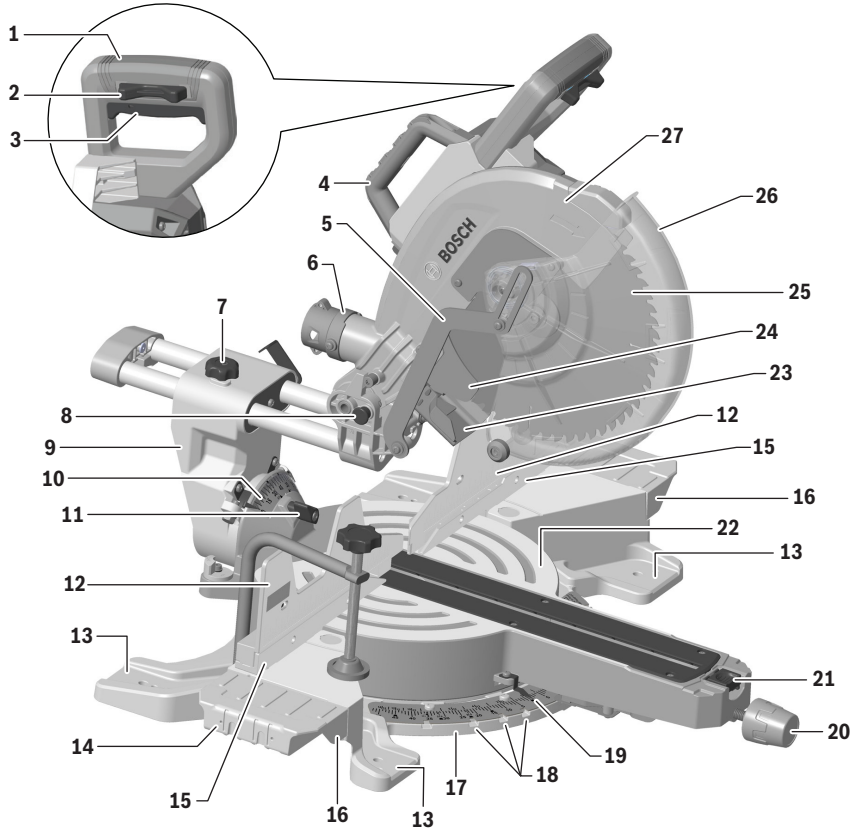
Important : Certains des symboles suivants peuvent être utilisés sur votre outil. Veuillez les étudier et apprendre leur signification. L'interprétation correcte de ces symboles vous aidera à mieux utiliser votre outil et à vous en servir plus efficacement et en toute sécurité.

Symbole	Désignation / Explication
	Désigne un programme de recyclage des batteries Li-ion
	Alerte l'utilisateur pour qu'il lise le mode d'emploi
	Alerte l'utilisateur pour lui demander de porter un dispositif de protection des yeux.
	Ce symbole indique que ce composant est reconnu par Underwriters Laboratories.
	Ce symbole indique que ce composant est reconnu par Underwriters Laboratories, et qu'il est conforme aux normes des États-Unis et du Canada.
	Ce symbole indique que cet outil est répertorié par la Canadian Standards Association.
	Ce symbole indique que cet outil est répertorié par la Canadian Standards Association, et qu'il est conforme aux normes des États-Unis et du Canada.
	Ce symbole indique que cet outil est homologué par les services d'essais Intertek, et qu'il est conforme aux normes des États-Unis et du Canada.

Familiarisez-vous avec votre scie à onglet

Scie à onglet sans fil GCM18V-12SD

Fig. 1

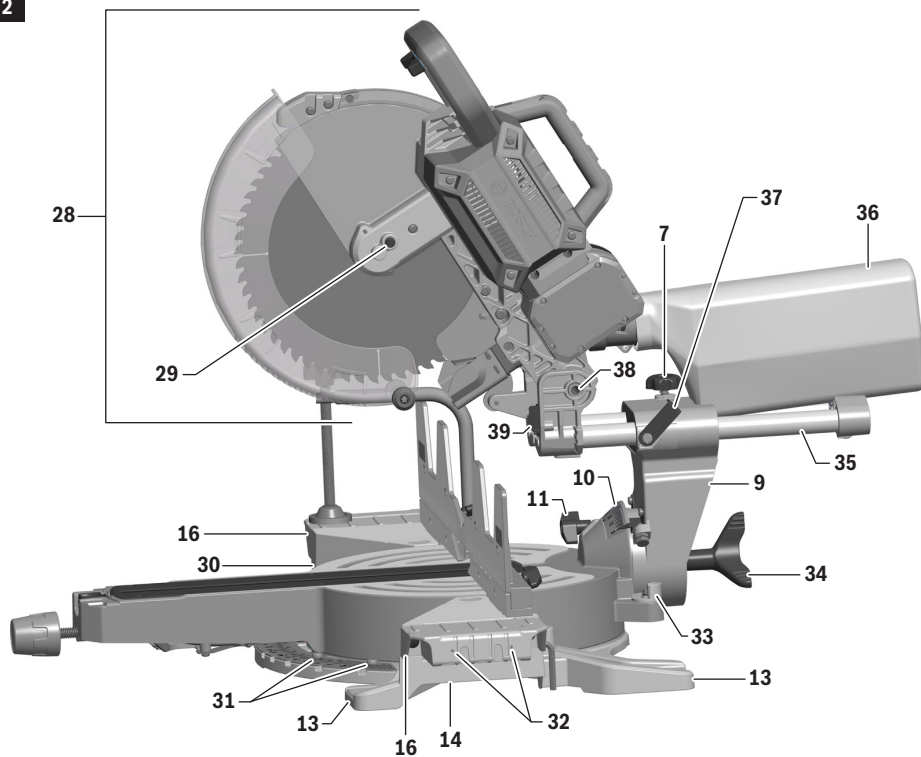


Familiarisez-vous avec votre scie à onglet

- 1 La poignée principale** est utilisée pour lever et abaisser l'ensemble de la tête et contient l'interrupteur d'alimentation. Tirez sur la poignée (vers le bas) pour abaisser la lame jusqu'au niveau de l'ouvrage.
- 2 Boutons de déverrouillage de l'interrupteur** (Lock-OFF) – deux boutons, dont l'un doit être enfoncé avant de pouvoir appuyer sur l'interrupteur d'alimentation.
- 3 L'interrupteur d'alimentation** est utilisé avec le bouton « Lock-OFF » pour éteindre et allumer la scie.
- 4 La poignée de transport principale** sert à transporter la scie.
- 5 Lien avec le dispositif de protection inférieur** permettant un mouvement en douceur du dispositif de protection inférieur.
- 6 Le déversoir à poussière** dirige la sciure vers le haut, dans le sac à poussière ou dans le tuyau flexible d'aspiration.
- 7 Le bouton de verrouillage** du rail coulissant, lorsqu'il est serré, verrouille le système de coulissement en place. Serrez en tournant le bouton dans le sens des aiguilles d'une montre (vers la droite), et desserrez en tournant le bouton dans le sens inverse des aiguilles d'une montre (vers la gauche).
- 8 La broche de verrouillage de l'ensemble de tête** est utilisée pour verrouiller l'ensemble de tête dans la position du bas.
- 9 Le poteau de biseau** fournit un support rotatif pour toutes les pièces de la scie à onglet au-dessus de la table.
- 10 L'échelle de biseaux et les indicateurs** indiquent l'angle de biseau actuel. La grande échelle angulaire permet de lire facilement les angles de biseau.
- 11 Le bouton de sélection de la plage de biseaux** est utilisé pour sélectionner la plage de biseaux à gauche : 0° à 47° à gauche ou 0° à 47° à droite.
- 12 Les guides coulissants** soutiennent la pièce à usiner. Les guides sont dotés d'une échelle intégrée qui facilite les coupes répétitives avec des trous pour sécuriser un guide auxiliaire si nécessaire.
- 13 Les pattes de fixation des outils** situées aux quatre coins de la scie fournissent des zones permettant de fixer, de boulonner ou de clouer la scie sur une surface de travail plane.
- 14 Les poignées de transport intégrées** permettent de soulever et de transporter la scie.
- 15 Le guide stationnaire** est boulonné à la base et soutient la pièce à usiner lorsque le guide coulissant est retiré.
- 16 Les extensions de base** fournissent un support supplémentaire pour la scie, ce qui peut s'avérer utile pour la coupe de pièces longues.
- 17 La plaque de crans d'onglet** peut être ajustée pour définir la précision de ses positions de détente.
- 18** Il existe dix **fentes de crans d'onglet** qui permettent des coupes d'onglet rapides et précises pour tous les angles d'onglet courants.
- 19 L'échelle et le pointeur d'onglets** vous permettent de voir le réglage de l'angle avant d'effectuer une coupe. Le pointeur tourne avec la table et la lame, et il indique l'angle sur l'échelle d'onglets.
- 20 Le bouton de verrouillage d'onglet** verrouille la table de scie à onglet à n'importe quel angle d'onglet désiré.
- 21 Le bouton d'annulation du cran d'arrêt de l'onglet** bloque l'action du cran d'arrêt, ce qui permet d'effectuer des micro-ajustements pour tout angle d'onglet.
- 22 La table** fournit du support à l'ouvrage, tourne pour produire les coupes d'onglets désirées et fait tourner l'ensemble de tête de la scie. La partie avant prolongée de la table est appelée le bras d'onglet.
- 23 Le déflecteur en caoutchouc** est fixé au bas du déversoir à poussière et dévie la poussière pour qu'elle tombe dans la goulotte.
- 24 Le déflecteur de copeaux** empêche les pièces coupées de pénétrer dans le dispositif de protection supérieur.
- 25 La lame** est l'élément qui effectue des coupes dans les pièces à usiner. Utilisez seulement des lames de 305 mm / 12 po avec des trous d'arbres de 25,4 mm / 1 po de diamètre.
- 26 Dispositif de protection inférieur de la lame – La lèvres du dispositif de protection inférieur** contribue à protéger vos mains contre la lame en train de tourner. Il se rétracte lorsque la lame est abaissée. Si le dispositif de protection se bloque sur une pièce en train d'être coupée, la lèvres peut être utilisée pour relever le dispositif de protection inférieur.
- 27 Le dispositif de protection supérieur** couvre la partie supérieure de la lame.

Familiarisez-vous avec votre scie à onglet

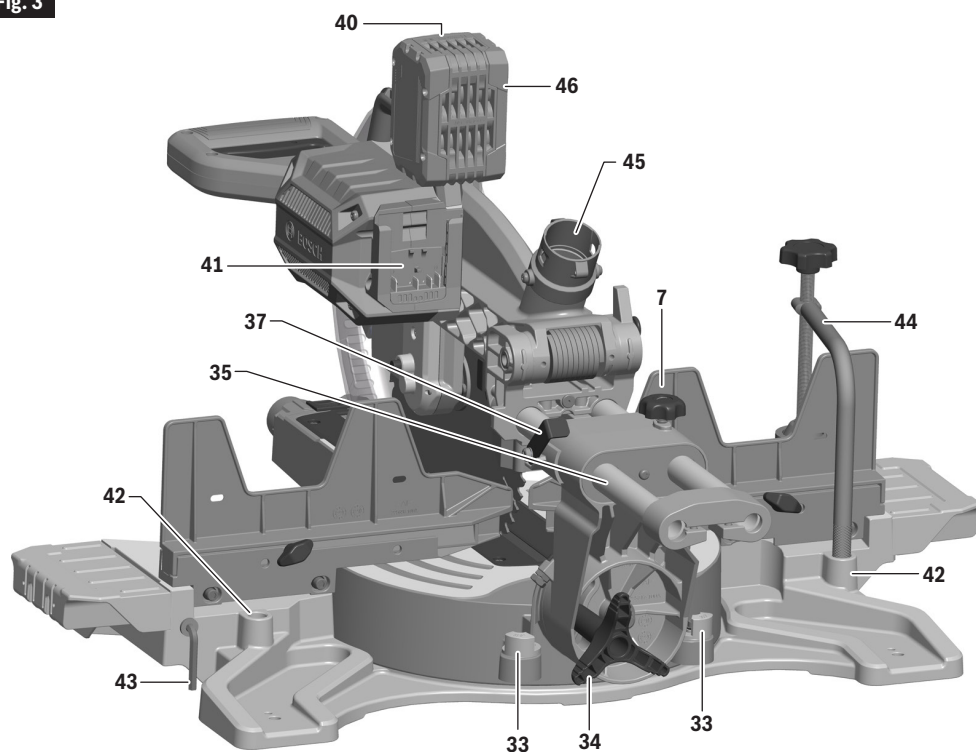
Fig. 2



- 28 L'ensemble de la tête** est la partie de la scie qui comprend la lame, les dispositifs de protection, le moteur, la poignée principale et le système de collecte de la poussière.
- 29 Bouton de verrouillage de l'arbre**, lorsqu'il est enfoncé, empêche la lame de tourner. Il est utilisé lors du retrait ou de l'installation de la lame, lors du desserrage ou du serrage du boulon de l'arbre.
- 30 La base** fournit une grande surface de travail comme support pour un ouvrage.
- 31 Les quatre vis de la plaque de crans d'onglet**, qui sont accessibles par les trous de l'échelle d'onglets, sont desserrées pour permettre le réglage de la position de la plaque de crans d'onglet.
- 32 Trous de montage pour la butée de couronne en option**
- 33 Les indicateurs de butée de biseau** (à gauche et à droite) vous permettent de sélectionner les angles de biseau les plus courants : 33,9°, 45° ou 47°.
- 34 Bouton de verrouillage du biseau** verrouille la tête à l'angle de biseau souhaité.
- 35 Le système de coulissement** permet à l'ensemble de la tête de glisser en douceur vers l'intérieur et l'extérieur. Il peut être verrouillé jusqu'à l'arrière ou dans la position entièrement déployée.
- 36 Le sac à poussière** recueille la poussière des opérations de sciage. Pour le vider, il faut le désaccoupler du port de dé poussiérage et ouvrir la fermeture à glissière en bas.
- 37 Le verrou de coupe/couronne** bloque l'ensemble de tête en place pour les coupes verticales et les coupes en couronne.
- 38 Le poteau de pivotement** sert de support et de point de pivotement pour l'ensemble de tête.
- 39 La butée 2x@45 Stop** est une butée pour l'ensemble de tête qui est utilisée pour les coupes en biseau à 45 degrés à droite dans un matériau 2x.

Familiarisez-vous avec votre scie à onglet


Fig. 3



- 40 **Le bouton d'éjection du bloc-piles** libère le bloc-piles afin qu'il puisse être retiré du compartiment des piles.
- 41 **Le compartiment des piles** est l'endroit où est inséré un bloc-piles Bosch ou AMPShare (vendu séparément).
- 42 **Les emplacements des poteaux de fixation** sont deux trous de poteau verticaux dans la base prévus pour soutenir la bride de fixation.
- 43 **La clé Torx** est nécessaire pour changer la lame et pour attacher les extensions de base.
- 44 **La bride de fixation** est utilisée pour maintenir la pièce à usiner sur la table et sur la base. La pince est insérée dans l'un des emplacements des poteaux de fixation.
- 45 **L'orifice de dépoussiérage** est le composant qui fournit la connexion avec le sac à poussière ou dans le tuyau flexible d'aspiration.
- 46 **Bloc-piles** (vendu séparément)

Spécifications

Scie à onglet sans fil GCM18V-12SD

Tension :	18 V 
Température ambiante autorisée :	
pendant la charge	0...+45 °C (32...113 °F)
pendant le fonctionnement	-20...+50 °C (-4...122 °F)
pendant le stockage	0...+50 °C (32...122 °F)

Blocs-piles / chargeurs

Veillez consulter la liste des chargeurs/piles accompagnant l'outil.

Utilisation prévue

⚠ AVERTISSEMENT Utilisez cette scie à onglet uniquement comme prévu.

Une utilisation inappropriée pourrait causer des blessures et des dommages matériels.

⚠ AVERTISSEMENT Ce produit n'est conçu que pour couper du bois ou des matériaux similaires au bois, ainsi que des métaux non ferreux. L'accumulation de poussière autour du dispositif de protection inférieur et du moyeu provenant d'autres matériaux (maçonnerie ou métal ferreux) peut empêcher le fonctionnement du dispositif de protection inférieur.

Coupe de maçonnerie/métal

⚠ AVERTISSEMENT Ne coupez pas de métal ferreux ou de maçonnerie avec cette scie à onglet. La poussière provenant de la coupe de métaux ferreux ou de la maçonnerie rendra le dispositif de protection inférieur inopérant, et il risque de ne pas se fermer complètement et rapidement après la coupe de ces matériaux.

⚠ AVERTISSEMENT N'utilisez pas de meules abrasives. Cet outil n'est pas conçu pour emploi avec des meules de tronçonnage pour le métal ou la maçonnerie.

⚠ AVERTISSEMENT N'utilisez pas de meule à tronçonner Wet Diamond ou de dispositifs d'alimentation en eau avec cette scie à onglet. Les déchets de coupe de maçonnerie pénètrent dans le système du dispositif de protection inférieur, durcissent et rendent le dispositif de protection inopérant. L'utilisation d'eau dans les applications de coupe de maçonnerie avec une scie à onglets électrique entraînera des risques de chocs électriques.

Cet outil n'est pas conçu pour emploi avec des meules de tronçonnage pour le métal ou la maçonnerie.

Capacités de coupe

Positionnement / Moulures de clés	Taille maximum
Moulure de base contre le guide	172 mm / 6-3/4 po
Moulure couronnée à 38° inclinée par rapport au guide*	172 mm / 6-3/4 po
Moulure couronnée à 45° inclinée par rapport au guide*	191 mm / 7-1/2 po
Moulure couronnée à plat sur la table	356 mm / 14 po
* Dans la plage d'onglets de 0° à 47° à gauche	
Onglet / Biseau	Hauteur maximum
0°/0°	89 mm / 3-1/2 po
45°/0°	89 mm / 3-1/2 po
0°/45° (à gauche)	51 mm / 2 po
0°/45° (à droite)	38 mm / 1-1/2
Onglet / Biseau	Largeur maximum
0°/0°	14" (356mm)
45°/0°	10" (254mm)
0°/45° (Left)	14" (356mm)

Déballage et inspection du contenu

Déballage de la scie à onglet

⚠ AVERTISSEMENT Pour éviter tout risque de pincement grave, ne soulevez ou ne déplacez jamais cette scie en saisissant un élément du système de support du mécanisme.

Lorsque vous retirez cet outil des matériaux d'emballage, tendez les bras vers les deux emplacements latéraux de la poignée de transport et soulevez-la lentement jusqu'à ce que l'outil sorte de l'emballage.

Vérification du contenu de l'emballage

Ouvrez le haut de l'emballage et cherchez les pièces détachées incluses (Fig. 4).

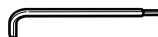
Certaines petites pièces, comme le levier de verrouillage du biseau et le bouton de verrouillage de l'onglet, doivent être fixées à l'outil avant qu'il ne soit prêt à être utilisé.

Fig. 4

Pièces détachées

Cochez chaque partie.

Clé Torx (43)



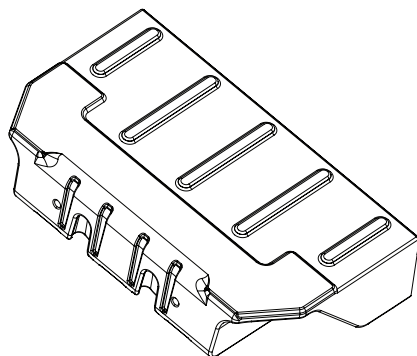
Bride de fixation de la pièce à usiner (44)



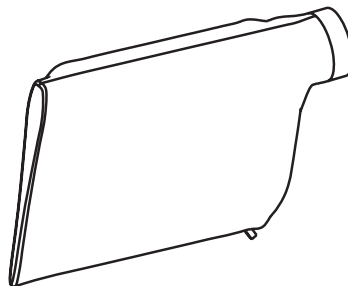
Consignes d'utilisation / de sécurité



2 extensions de base (16)



Sac à poussière (36)



4 vis Torx pour les rallonges de la base



Outils nécessaires pour l'assemblage

Vérification des pièces

Vérifiez que vous disposez des outils nécessaires au montage de la scie, comme indiqué sur la Fig. 5.

Vérification de l'exactitude de l'équerre combinée

Vérifiez que l'équerre combinée est étalonnée correctement.

1. Positionnez l'équerre et tracez une ligne légère comme illustré à la Fig. 6.
2. Retournez l'équerre comme illustré à la Fig. 6.
3. Vérifiez le bord de l'équerre retournée par rapport à la ligne tracée et assurez-vous qu'il n'y a pas d'espace ou de chevauchement à l'extrémité inférieure, comme illustré à la Fig. 6.

Fig. 5

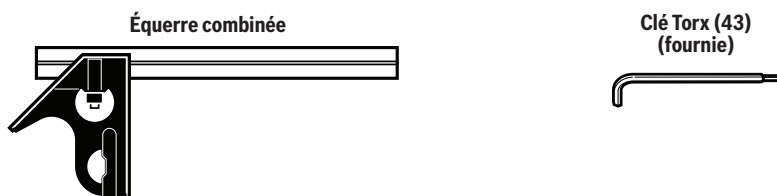
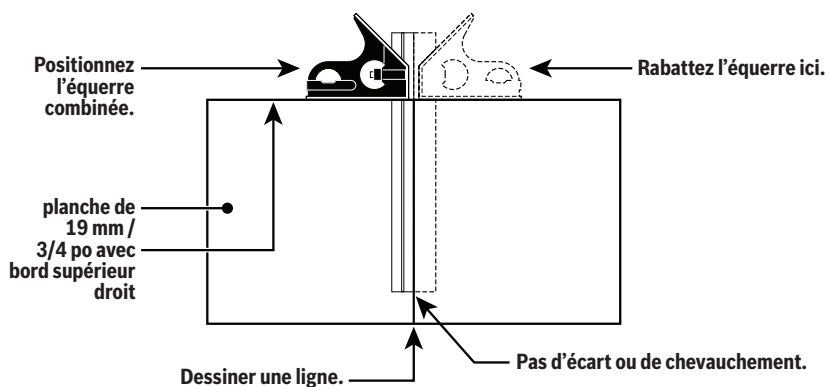


Fig. 6



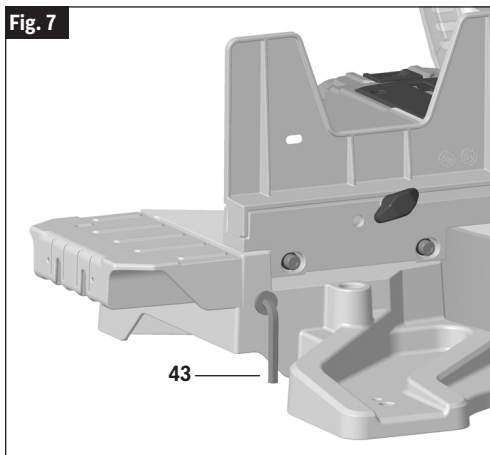
Assemblage

⚠ AVERTISSEMENT Débranchez le bloc-piles avant de procéder à une quelconque opération de montage, de réglage ou de réparation afin d'éviter tout risque de blessure.

Rangement de la clé Torx

Il y a un emplacement de rangement sur la scie pour y ranger la clé Torx. Insérez la branche courte de la clé Torx à travers l'œillet en caoutchouc comme indiqué. Placez la branche longue dans le support de l'outil (Fig. 7, **43**).

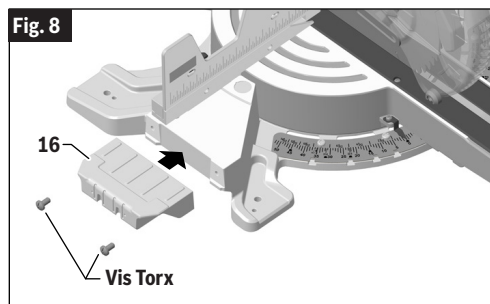
REMARQUE : La clé Torx est nécessaire pour changer la lame et pour attacher les extensions latérales. En cas de perte, utilisez une clé Torx 30 ou une autre clé.



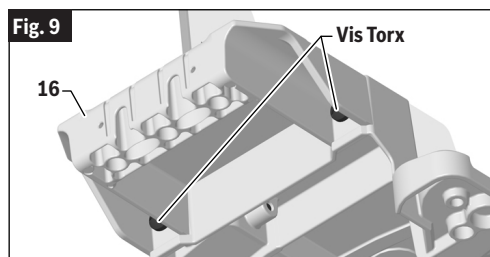
Fixation des rallonges de la base

Attachez chaque rallonge de la base aux côtés gauche et droit de la base :

1. Placez la rallonge de la base (Fig. 8, **16**) au ras de la base.



2. À l'aide de la clé Torx (Fig. 7, **43**) et des vis Torx fournies (Fig. 8 et Fig. 9), attachez la rallonge de la base (**16**) à la base.



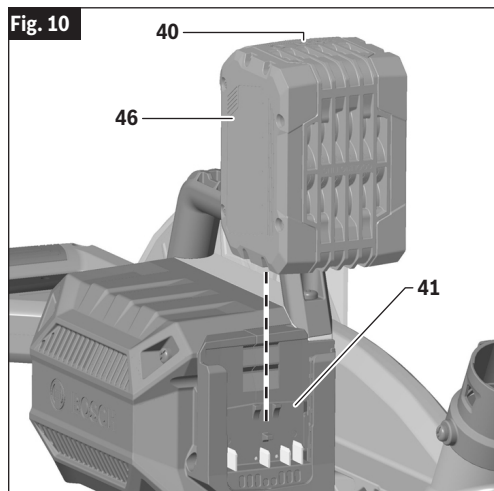
Assemblage

Insertion et retrait du bloc-piles

Faites glisser le bloc-piles (Fig. 10, **46**) dans le compartiment des piles (**41**) jusqu'à ce que celui-ci se verrouille en place.

Votre outil est muni d'un mécanisme de verrouillage secondaire pour empêcher le bloc-piles de tomber complètement de la baie de charge au cas il s'en détacherait en conséquence des vibrations.

Pour retirer le bloc-piles, appuyez sur le bouton d'éjection du bloc-piles (**40**) et faites glisser le bloc-piles complètement en dehors du compartiment des piles.

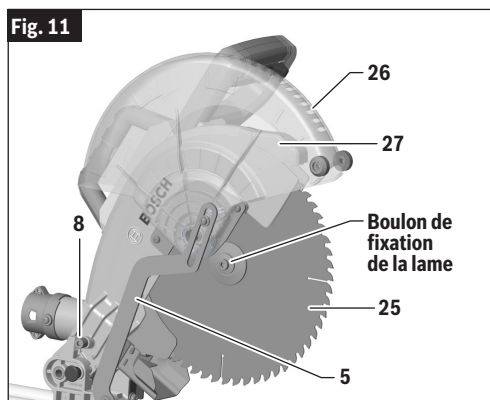


Retrait et l'installation des lames

Portez toujours des gants lorsque vous changez ou manipulez des lames. Les pointes des lames risquent de causer des blessures.

Retrait de la lame

1. Positionnez la scie dans la position élevée (UP) et à un angle de biseau de 0°. Si la scie est dans la position ABAISSÉE, appuyez légèrement sur l'ensemble de tête de la scie et tirez sur la goupille de verrouillage de l'ensemble de tête (Fig. 11, **8**). Laissez ensuite l'ensemble de tête de la scie remonter lentement.



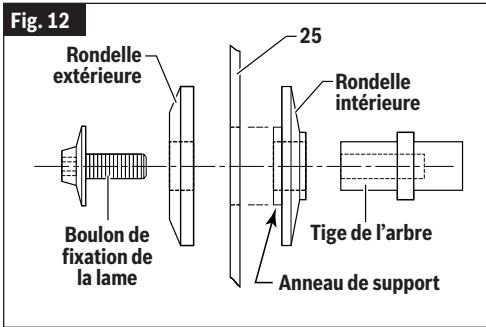
2. Faites tourner le dispositif de protection inférieur de la lame (**26**) jusqu'à ce qu'il existe un accès dégagé au boulon de fixation de la lame.
3. Appuyez sur le bouton de verrouillage de l'arbre (le bouton rouge sur le côté opposé du dispositif de protection supérieur (**27**), et maintenez-le enfoncé. Faites tourner lentement la lame (**25**) tout en appuyant sur le bouton de verrouillage de l'arbre jusqu'à ce qu'il soit totalement engagé dans sa position de verrouillage.
4. À l'aide de la clé Torx (Fig. 7, **43**), desserrez le boulon de fixation de la lame en le tournant fermement dans le sens des aiguilles d'une montre.

REMARQUE : Le boulon a un filet orienté vers la gauche.

5. Retirez le boulon de fixation de la lame et la rondelle extérieure. Saisissez la lame avec précaution. Faites glisser la lame (Fig. 12, **25**) dans le sens opposé à la rondelle intérieure et pour la faire sortir de la tige de l'arbre, puis abaissez-la et détachez-la de la scie. Laissez la rondelle intérieure sur la tige de l'arbre.

Assemblage

Fig. 12



Installation d'une lame de 305 mm / 12 po

⚠ AVERTISSEMENT Pour ne pas risquer de vous blesser, n'utilisez pas une lame d'un diamètre plus grand ou plus petit que 12 po et avec un arbre de 25,4 mm / 1 po. L'épaisseur maximale de la plaque de support de la lame est de 2,54 mm / 0,100 po. L'épaisseur maximale du trait de coupe de la lame est de 3,175 mm / 1/8 po.

⚠ AVERTISSEMENT Pour réduire les risques de blessures, utilisez une lame de scie ayant une vitesse nominale de 5000/min (tr/min) ou plus.

⚠ AVERTISSEMENT Après avoir installé une nouvelle lame, assurez-vous que la lame ne fait pas interférence avec la plaque amovible de la table dans les positions de biseaux à 0° et 45°. Abaissez la lame dans la fente prévue à cet effet et assurez-vous qu'elle n'entre pas en contact avec la base ou avec la structure de la table tournante. Si la lame entre en contact avec la base ou la table, contactez un centre de service après-vente agréé.

1. Si une lame est installée actuellement, retirez-la comme décrit dans la section « Retrait de la lame » à la page 74.
2. Manipulez la nouvelle lame avec précaution. Vérifiez que la flèche de sens de rotation sur la lame est bien alignée sur la flèche de sens de rotation du dispositif de protection supérieur. Faites glisser la lame vers le haut, entre les côtés du déflecteur de copeaux et au-dessus de la tige de l'arbre. Déplacez la lame de telle sorte que son orifice prévu pour le passage de l'arbre soit autour de l'anneau de support de la rondelle intérieure (Fig. 11 et Fig. 12).
3. Placez la rondelle extérieure au-dessus de la tige de l'arbre, et serrez à la main le boulon de fixation de la lame (dans le sens contraire des aiguilles d'une montre). Assurez-vous que la lame reste positionnée sur l'anneau de support de la rondelle intérieure.
4. Faites tourner lentement la lame tout en appuyant sur le bouton de verrouillage de l'arbre jusqu'à ce qu'il soit totalement engagé dans sa position de verrouillage.
5. En utilisant la clé Torx (Fig. 7, 43), serrez à fond le boulon de fixation de la lame **dans le sens contraire des aiguilles d'une montre**.

REMARQUE : Le boulon a un filet orienté vers la gauche. Ne serrez pas excessivement. Une clé Torx T30 peut être utilisée en remplacement.

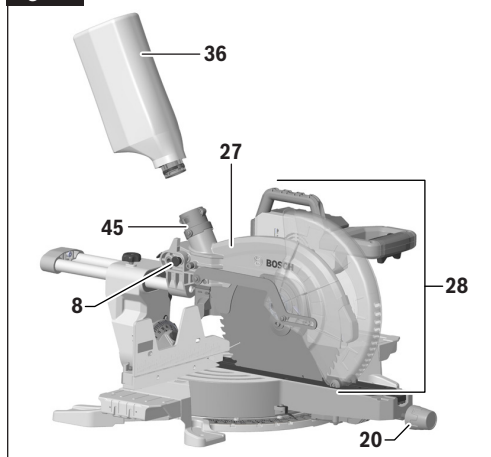
6. Vérifiez que le bouton de verrouillage de l'arbre est relâché pour que la lame puisse tourner librement.
7. Remettez la clé Torx (43) dans la zone de rangement.

Assemblage

Assemblage du système de dé poussiérage

Le système de dé poussiérage utilisé sur cet outil est attaché au dispositif de protection supérieur (Fig. 13, 27). Ce positionnement permet une meilleure collecte de la poussière pour la majorité des coupes. Déconnectez le bloc-piles (Fig. 10, 46) avant d'attacher, d'ajuster ou de retirer un composant quelconque du système de collecte de la poussière.

Fig. 13



Attachement du sac à poussière

Attachement et retrait du sac à poussière – Pour attacher le sac à poussière (Fig. 13, 36), comprimez les deux languettes rouges en les rapprochant l'une de l'autre et faites glisser le sac à poussière sur la nervure de l'orifice de dé poussiérage.

Utilisation et nettoyage du sac à poussière

AVERTISSEMENT Soyez extrêmement prudent(e) lorsque vous enlevez la poussière. Les matériaux sous forme de fines particules peuvent être explosifs. Ne jetez pas de sciure dans un feu ouvert. Une combustion spontanée peut survenir au bout d'un certain temps en conséquence du mélange d'huile ou d'eau avec des particules de poussière.

Utilisation du sac à poussière – Attachez le sac de nettoyage à l'orifice de dé poussiérage (Fig. 13, 45).

Nettoyage du sac à poussière – Lorsque le sac à poussière est rempli aux 2/3 ou aux 3/4, retirez-le de la scie. Mettez le sac dans un récipient approprié et ouvrez la fermeture à glissière située au fond du sac. Tenez le sac par l'extrémité du coupleur et secouez-le vigoureusement jusqu'à ce que toute la poussière et les débris en tombent. Fermez la fermeture à glissière et remettez le sac en place.

REMARQUE : Nettoyez le sac à la fin de la séance de coupe et avant de transporter ou de ranger la scie.

Attachement d'un tuyau flexible d'aspirateur/extracteur de poussière

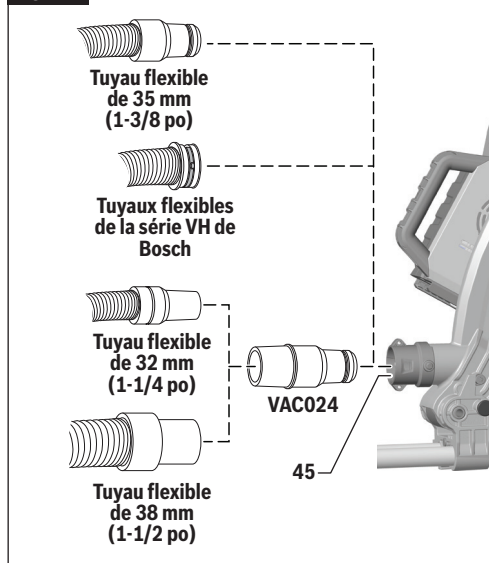
L'orifice de dé poussiérage de la scie (Fig. 14, 45) est compatible avec les buses typiques des tuyaux flexibles d'aspirateur de 35 mm, et avec celles des tuyaux flexibles Bosch de la série VH.

Pour connecter la scie avec un tuyau flexible de 32 mm / 1-1/4 po ou de 38 mm / 1-1/2 po, l'adaptateur Bosch VAC024 (vendu séparément) peut être utilisé.

Remarque : les tailles ci-dessus indiquent les diamètres des tuyaux flexibles et non les diamètres des buses.

Fixation à l'aspirateur – Insérez la buse de l'aspirateur dans (ou sur) l'orifice de dé poussiérage (Fig. 14, 45) jusqu'à la butée. Vérifiez que le tuyau d'aspiration est détaché du mécanisme et est hors de la trajectoire de coupe avant de reconstruire le bloc-piles.

Fig. 14



Réglages

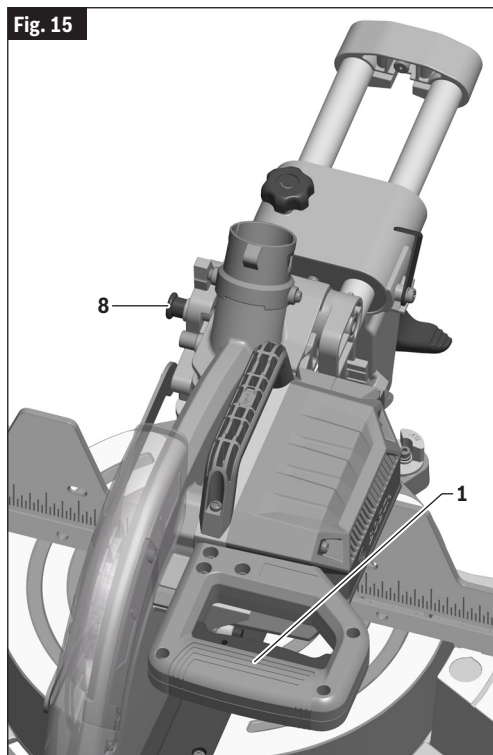
⚠ AVERTISSEMENT Débranchez le bloc-piles avant de procéder à une quelconque opération de montage, de réglage ou de réparation afin d'éviter tout risque de blessure.

Utilisation de la broche de verrouillage de l'ensemble de tête

Broche de verrouillage de l'ensemble de tête

La goupille de verrouillage de l'ensemble de la tête (Fig. 15, **8**) est située sur le côté gauche du poteau de pivotement (Fig. 2, **38**). Elle est utilisée pour tenir l'ensemble de tête de scie (Fig. 13, **28**) dans la position du bas (DOWN). Cette position empêche la tête de rebondir de haut en bas pendant le transport. Cela rend également la scie plus compacte pour le levage et le stockage. Cette position est également nécessaire pour certaines procédures de réglage.

Fig. 15



2. Saisissez la poignée principale de la scie (Fig. 15, **1**) et appuyez sur l'ensemble de tête (Fig. 13, **28**).
3. Tout en appuyant sur la tête de la scie, enfoncez la broche de verrouillage de l'ensemble de tête (Fig. 15, **8**). Relâchez l'ensemble de tête. La tête sera verrouillée dans la position du bas (DOWN).

Désenclenchement de la broche de verrouillage de l'ensemble de tête

1. Saisissez la poignée principale (Fig. 15, **1**) et appuyez sur l'ensemble de tête (Fig. 13, **28**).
2. Tout en appuyant sur la tête, tirez sur la broche de verrouillage de l'ensemble de tête (Fig. 15, **8**). Relâchez la broche de verrouillage de l'ensemble de tête, mais continuez à tenir la poignée principale. Laissez la tête de la scie à ressort remonter lentement jusqu'en haut de sa course et relâchez ensuite la poignée.

Enclenchement de la broche de verrouillage de l'ensemble de tête

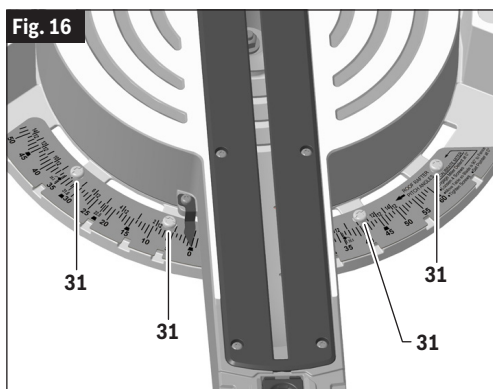
1. Vérifiez que la butée 2x@45 est désengagée, ou enfoncée dans la bonne position (Voir « Butée 2x@45 » à la page 97.)

Réglages

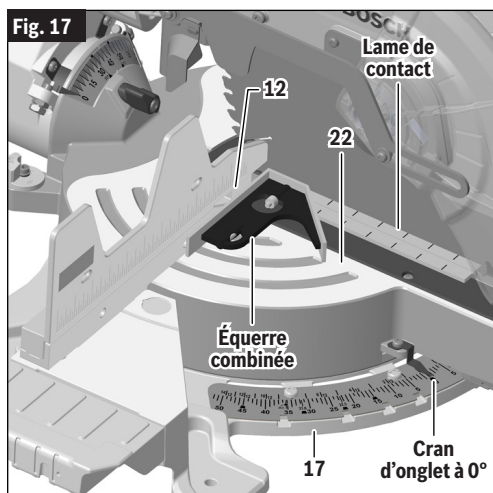
Système de crans d'onglet – Procédure de réglage

Étalonnage du système de crans d'onglet

1. Engagez le cran d'onglet dans la position à 0°. Desserrez le bouton de verrouillage d'onglet (Fig. 13, 20) d'un demi-tour.
2. Desserrez les 4 vis qui maintiennent la plaque de crans (Fig. 16, 31) à l'aide de la clé Torx (Fig. 7, 43).



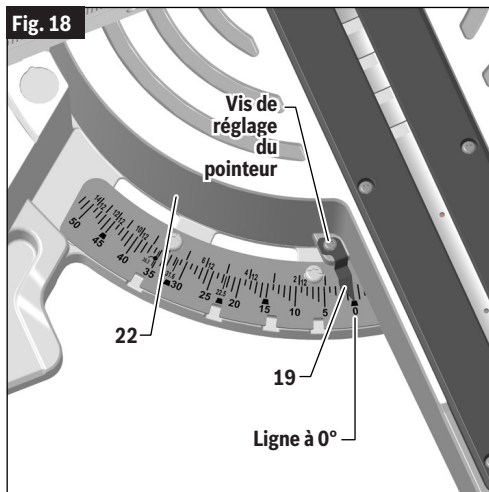
3. Verrouillez l'ensemble de tête en position basse à l'aide de la goupille de verrouillage de l'ensemble de tête (Fig. 13, 8).
4. Maintenez un côté d'une équerre combinée à 90° contre le guide (Fig. 17, 12) et faites pivoter la table (22) et la plaque de crans (17) jusqu'à ce que le côté de la lame de scie soit en contact total avec l'autre côté de l'équerre.



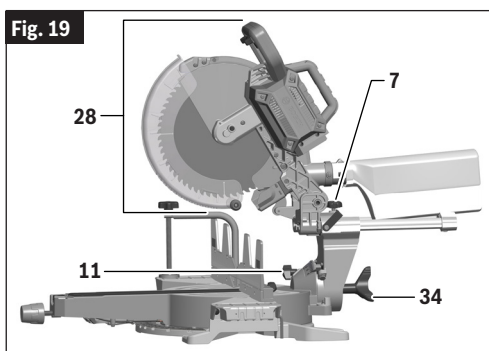
5. Serrez les quatre vis. Ensuite, desserrez et remettez le pointeur de l'échelle d'onglet sur la position « 0 » (Fig. 17).

Réglage du pointeur d'échelle d'onglet

1. Faites tourner la table (Fig. 18, 22) jusqu'à la position 0° et verrouillez-la en place.



2. Soulevez l'ensemble de tête (Fig. 19, 28) afin de la mettre dans la position surélevée (UP) maximum.



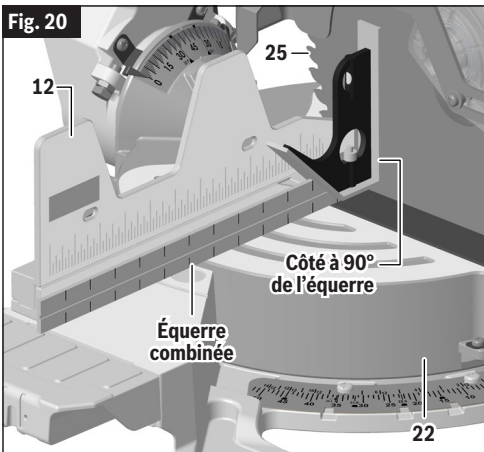
3. Desserrez la vis de réglage du pointeur qui maintient le pointeur de l'échelle d'onglet (Fig. 18, 19) en place.
4. Positionnez le pointeur de façon à l'aligner sur la ligne à 0°. Serrez la vis.

Réglages

Butée de biseau à 0°

Vérification du réglage de la butée de biseau à 0°

1. Maintenez l'ensemble de la tête de la scie (Fig. 19, **28**) en bas et poussez la goupille de verrouillage de l'ensemble de la tête (Fig. 21, **8**) pour maintenir la scie en position basse (DOWN).
2. Faites glisser l'ensemble de la tête de scie (Fig. 19, **28**) complètement vers l'arrière et engagez le bouton de verrouillage du rail coulissant (**7**) en serrant le bouton vers la droite (dans le sens des aiguilles d'une montre).
3. Faites tourner la table pour la mettre dans la position d'onglet à 0°.
4. Tournez le bouton de verrouillage du biseau (**34**) dans le sens des aiguilles d'une montre pour déverrouiller l'ensemble de tête.
5. Inclinez l'ensemble de la tête de scie (**28**) vers la gauche (dans le sens contraire des aiguilles d'une montre), puis tournez vers la droite (dans le sens des aiguilles d'une montre) jusqu'à ce que vous sentiez la butée en position verticale. C'est ici que la scie est actuellement réglée pour une coupe en biseau à 0°.
6. Utilisez une équerre combinée (Fig. 20) pour vérifier que la lame est à 90° (d'équerre) par rapport à la table (**22**). Placez le bord de la règle de l'équerre contre la table et faites-la glisser pour mettre la lame (**25**) en contact avec le côté vertical de la tête de l'équerre.



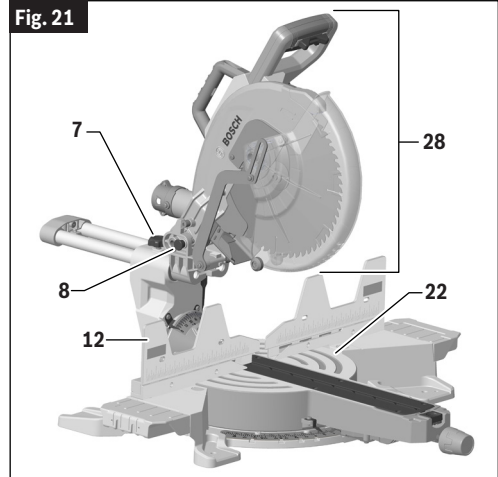
7. Vérifiez que la plaque de la lame de scie (**25**), et non les dents de la lame de scie, touche le côté à 90° de l'équerre. Si la plaque de la lame de scie n'est pas en

contact complet avec le côté à 90° du corps de l'équerre, voir « Réglage de la butée de biseau à 0° (lame à 90° par rapport à la table) ».

Réglage de la butée de biseau à 0° (lame à 90° par rapport à la table)

REMARQUE : Utilisez une clé hexagonale de 4 mm pour effectuer le réglage.

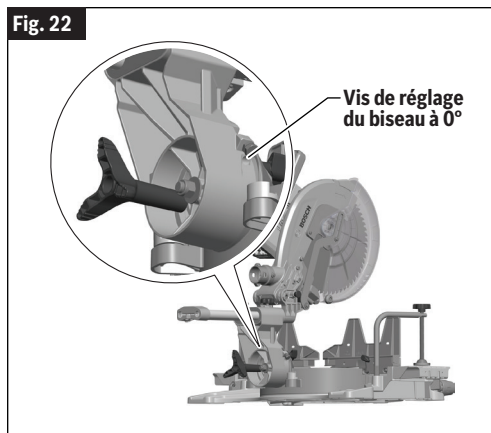
1. Abaissez l'ensemble de tête (Fig. 19, **28**) et engagez la goupille de verrouillage de l'ensemble de tête (Fig. 21, **8**).



2. Faites glisser l'ensemble de la tête (**28**) complètement vers l'arrière et engagez le bouton de verrouillage du rail coulissant (**7**) en serrant le bouton vers la droite (dans le sens des aiguilles d'une montre).
3. Faites tourner le levier de verrouillage du biseau (**34**) vers l'avant pour déverrouiller l'ensemble de tête.
4. Assurez-vous que le bouton de sélection de la plage de biseau (Fig. 19, **11**) est remis dans sa position initiale.
 - Tournez la vis de réglage du biseau à 0° (Fig. 22) dans le sens des aiguilles d'une montre pour régler la tête vers la droite.
 - Tournez la vis de réglage du biseau à 0° (Fig. 22) dans le sens contraire des aiguilles d'une montre pour régler la tête vers la gauche.
5. Suivez la procédure de la section « Vérification du réglage de la butée de biseau à 0° » pour vérifier vos modifications. Si un réglage supplémentaire est nécessaire, répétez les étapes ci-dessus.

Réglages

Fig. 22

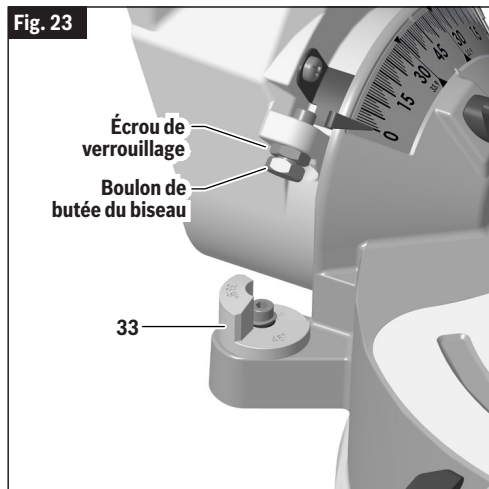


Butée de biseau à 45°

Vérification du réglage de la butée de biseau à 45°

1. Maintenez l'ensemble de la tête de la scie (Fig. 21, **28**) en bas et poussez la goupille de verrouillage de l'ensemble de la tête (**8**) pour maintenir la scie en position basse (DOWN).
2. Faites glisser l'ensemble de la tête de scie (**28**) complètement vers l'arrière et serrez le bouton de verrouillage du rail coulissant (**7**).
3. Faites tourner la table pour la mettre dans la position d'onglet à 0°.
4. Tournez le bouton de verrouillage du biseau (Fig. 19, **34**) dans le sens des aiguilles d'une montre pour déverrouiller l'ensemble de tête.
5. Déplacez le guide coulissant gauche (Fig. 21, **12**) complètement vers la gauche.
6. Vérifiez la position de l'indicateur de butée de biseau (Fig. 23, **33**). Il doit être sur la position « 0-45° à gauche ».

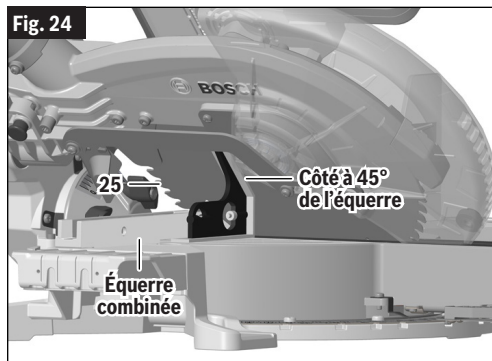
Fig. 23



7. Inclinez la tête de scie (Fig. 21, **28**) vers la gauche (dans le sens contraire des aiguilles d'une montre) jusqu'à ce qu'elle atteigne la butée de 45°. C'est ici que la butée de 45° de la scie est réglée pour effectuer une coupe en biseau à 45° à gauche.
8. Utilisez une équerre combinée pour vérifier que la lame est à 45° par rapport à la table. Détachez la lame de l'équerre combinée (Fig. 24). Placez uniquement la tête de l'équerre combinée sur la table de la scie, avec son

Réglages

long côté plat reposant sur la table et son côté à 45° contre la lame inclinée (25).



9. Vérifiez que seule la plaque de la lame de scie (Fig. 24, 25), et non les dents, touche le côté à 45° de l'équerre. Si la plaque de la lame de scie n'est pas en contact complet avec le côté à 45° de l'équerre, suivez la procédure « Réglage de la butée de biseau à 45° (lame de scie à 45° par rapport à la table) » ci-dessous.

Réglage de la butée de biseau à 45° (lame de scie à 45° par rapport à la table)

Débranchez le bloc-piles (Fig. 3, 46) avant de procéder à une quelconque opération de montage, de réglage ou de réparation afin d'éviter tout risque de blessure.

REMARQUE : Suivez les instructions pour vérifier le réglage du biseau à 45° depuis le côté gauche ou droit de la scie à onglet.

Étalonnage de la lame à un angle de biseau de 45°

REMARQUE : Utilisez une clé de 10 mm pour le réglage.

REMARQUE : Le système d'étalonnage du réglage du biseau permet d'étalonner automatiquement les butées de 33,9° et 45° à gauche ou à droite.

1. Abaissez l'ensemble de tête de la scie (Fig. 21, 28) et engagez la goupille de verrouillage de l'ensemble de tête (8).
2. Faites glisser l'ensemble de la tête de la scie (28) complètement vers l'arrière et serrez le bouton de verrouillage du rail coulissant (Fig. 25, 7) en tournant le bouton vers la droite (dans le sens des aiguilles d'une montre).
3. Retirez complètement les guides coulissants (Fig. 21, 12) pour éviter de les heurter avec la tête de la scie.
4. Vérifiez les indicateurs de butée de biseau situés à gauche et à droite du poteau de biseau sur la table (Fig. 23, 33). Ils devraient être à 45°.
5. Tournez le bouton de verrouillage du biseau (Fig. 19, 34) dans le sens des aiguilles d'une montre pour déverrouiller l'ensemble de tête.
6. Repérez le boulon de la butée du biseau sur le côté gauche ou droit du poteau du biseau. Ce boulon comporte un écrou de verrouillage (Fig. 23).
7. Desserrez le boulon de la butée de biseau d'un quart de tour, puis desserrez l'écrou de verrouillage. Une fois cette opération terminée, vous pourrez régler le boulon de butée du biseau à la main.
 - Tournez le boulon de butée de biseau dans le sens des aiguilles d'une montre pour ajuster la tête vers la gauche.
 - Tournez le boulon de butée de biseau dans le sens contraire des aiguilles d'une montre pour ajuster la tête vers la droite.
8. Suivez la procédure de la section « Vérification du réglage de la butée de biseau à 45° » à la page 80 pour vérifier vos modifications. Si un réglage supplémentaire est nécessaire, répétez les étapes ci-dessus.
9. Une fois que cela est satisfaisant, bloquez le bouton de verrouillage du biseau (Fig. 19, 34) à 45° pour empêcher tout mouvement.
10. Serrez à la main l'écrou de blocage (Fig. 23) en place. Une fois qu'il aura été sécurisé, serrez avec la clé.

Transport et montage

AVERTISSEMENT Débranchez le bloc-piles avant de procéder à une quelconque opération de montage, de réglage ou de réparation afin d'éviter tout risque de blessure.

Soulèvement de la scie

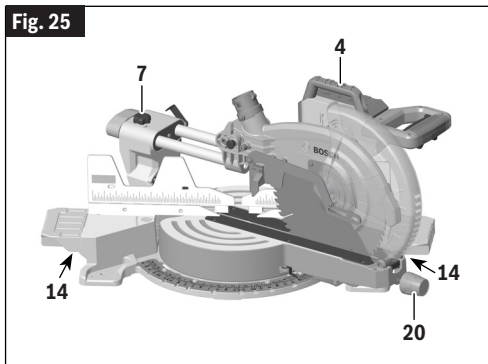
AVERTISSEMENT Pour ne pas risquer de blessure, suivez toutes les instructions identifiées par le symbole de PUCE (•).

- Ne soulevez jamais la scie en saisissant une partie quelconque du mécanisme coulissant. La scie pourrait bouger et causer des blessures graves à vos doigts ou à vos mains.
- Pour ne pas risquer de vous faire mal au dos, tenez l'outil près de votre corps lorsque vous le soulevez. Pliez les genoux de façon à pouvoir soulever avec les pieds, et non avec le dos. La méthode préférée consiste à soulever la scie par l'arrière. Cela fera pencher l'outil vers votre corps.
- Ne soulevez jamais l'outil en le tenant par la poignée de l'interrupteur. Cela peut causer de graves dommages.
- Placez la scie sur une surface plate et ferme, où il y a beaucoup de place pour manipuler l'ouvrage et le supporter de façon appropriée.

SEULEMENT cette scie en utilisant les poignées de transport moulées situées à chaque extrémité de la base (Fig. 25, 14) ou la poignée de transport principale (4).

Préparation pour soulever la scie

1. Réglez l'angle de biseau sur 0° et verrouillez-le en place en utilisant le bouton de verrouillage du biseau (Fig. 19, 34).
2. Faites pivoter la table à 60° ou 0°, et verrouillez-la en place à l'aide du bouton de verrouillage de l'onglet (Fig. 25, 20).



3. Verrouillez l'ensemble de tête de scie (Fig. 21, 28) dans la position abaissée (DOWN) avec la goupille de verrouillage de l'ensemble de tête (8).
4. Faites glisser l'ensemble de la tête de scie complètement vers l'avant et serrez le bouton de verrouillage du rail coulissant (Fig. 25, 7) en le tournant dans le sens des aiguilles d'une montre (vers la droite).

Soulevez la scie par les poignées de transport moulées

Avec la scie face à vous et la tête orientée à un angle d'onglet de 60°, avec l'ensemble de la tête de scie (Fig. 21, 28) verrouillé et la tête en position avant avec le bouton du rail coulissant (Fig. 25, 7) serré. Saisissez les deux poignées de transport moulées (14) situées sous les extensions de base. Continuez à soulever et à transporter de façon confortable.

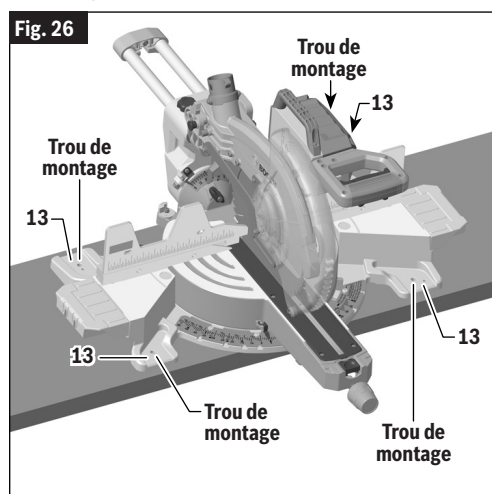
Transport et montage

Applications de montage

⚠ AVERTISSEMENT Vérifiez que la scie est montée ou placée sur une surface de travail ferme et de niveau avant de commencer à utiliser la scie. Une surface de travail ferme et de niveau réduit le risque de rendre la scie à onglet instable.

Fixation permanente sur la table de travail

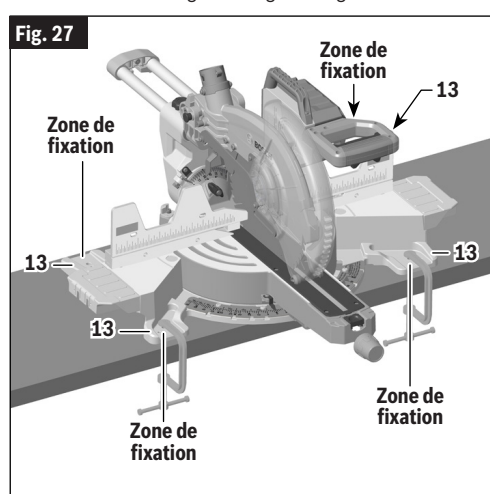
1. Chacun des quatre trous de montage (Fig. 26) dans les tampons de montage de l'outil (13) doit être sécurisé en utilisant un boulon M8 de 5/16 po, une rondelle de blocage et un écrou hex (non inclus).



Veillez à ne pas trop forcer le clou ou à ne pas trop serrer le boulon. Cela pourrait fissurer le pied ou endommager la base.

Montage temporaire au moyen de brides de fixation

- Si nécessaire, sécurisez la scie à onglet sur une table de travail ou un dessus de table.
- Placez au moins deux brides de fixation « C » sur les zones de fixation (Fig. 27) et sécurisez. Il y a de zones de fixation dans les quatre coins de la scie.
- Le montage avec des brides de fixation peut empêcher l'accès à certains grands angles d'onglet.



2. Localisez et marquez l'endroit où la scie doit être montée.
3. Percez quatre trous de 8 mm / 5/16 po de diamètre à travers la surface de la table de travail.
4. Placez la scie à onglet sur la table de travail en alignant les orifices de la base sur les trous qui ont été percés dans la table de travail. Installez les boulons, les rondelles de blocage et les écrous six-pans.

Attachement alternatif

Les petits trous de fixation à chaque coin peuvent être utilisés pour des clous ou des vis à cloison sèche plus longues.

La surface de support sur laquelle la scie doit être montée doit être examinée avec soin après le montage pour s'assurer qu'aucun mouvement ne peut se produire pendant l'utilisation. Si vous constatez que la scie a tendance à s'incliner ou à « marcher », sécurisez la table de travail ou le support avant de mettre en marche la scie à onglet.

Préparation en vue des opérations de la scie

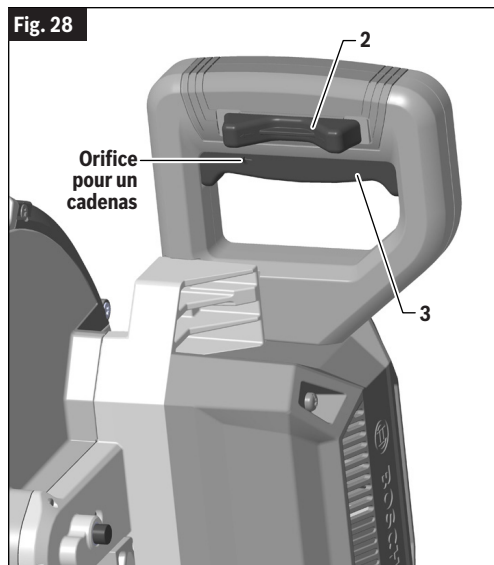
⚠ AVERTISSEMENT Débranchez le bloc-piles avant de procéder à une quelconque opération de montage, de réglage ou de réparation afin d'éviter tout risque de blessure.

Activation par un interrupteur

Pour assurer la sécurité, le levier de l'interrupteur (Fig. 28, 3) est conçu de manière à empêcher tout démarrage accidentel. Pour actionner l'interrupteur de sécurité, faites glisser les boutons de déverrouillage de l'interrupteur (« Lock-OFF ») (2) avec un pouce pour désengager le verrou, puis tirez sur le levier de l'interrupteur (3) et relâchez le bouton de déverrouillage de l'interrupteur (« Lock-OFF »). Lorsque le levier de l'interrupteur aura été relâché, le bouton de déverrouillage de l'interrupteur (« Lock-OFF ») engagera automatiquement le levier de l'interrupteur et le levier ne fonctionnera plus jusqu'à ce que l'un des deux boutons de déverrouillage « Lock-OFF » soit engagé à nouveau.

REMARQUE : L'orifice pour un cadenas (Fig. 28) peut recevoir un cadenas avec une manille longue d'un diamètre pouvant atteindre 8 mm / 5/16 po (non fourni avec la scie à onglet) pour empêcher toute utilisation non autorisée.

Fig. 28



Éclairage à DEL incorporé

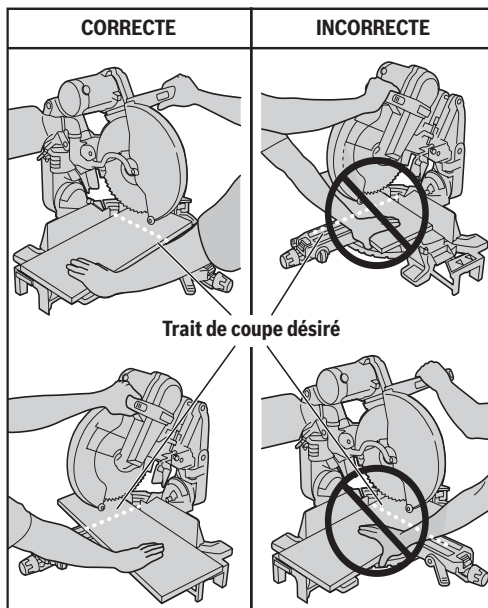
Votre outil est muni d'un puissant dispositif d'éclairage à DEL pour améliorer la visibilité lorsque vous êtes en train de couper. La lampe peut s'allumer lorsque l'interrupteur est enfoncé seulement partiellement (Fig. 28, 3). La lumière restera allumée pendant 30 secondes après que l'interrupteur aura été relâché. Ceci permet à la coupe d'être plus visible.

Position du corps et des mains

⚠ AVERTISSEMENT Positionnez votre corps et vos mains de façon appropriée pour pouvoir couper facilement et en toute sécurité. Le non-respect de toutes les instructions indiquées identifiées par des symboles de puce (•) pourrait causer des blessures graves. (Voir Fig. 29 ci-dessous.)

- Ne mettez jamais les mains près de la zone de coupe. Gardez les mains et les bras en dehors de la zone où il ne faut pas mettre les mains (« NO HANDS »).

Fig. 29



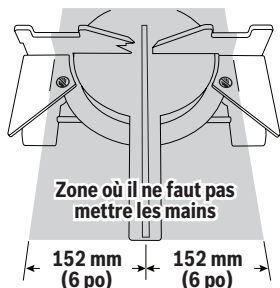
Zone où il ne faut pas mettre les mains

La zone où il ne faut pas mettre les mains est une zone de 152 mm / 6 po de large à gauche et à droite de la trajectoire de coupe de la lame. Une partie du guide dans cette zone est également considérée comme faisant partie de la zone où il ne faut pas mettre les mains.

La zone où il ne faut pas mettre les mains pour les coupes d'onglet et de biseau zéro est marquée sur l'outil par des lignes et des symboles sans mains (Fig. 30).

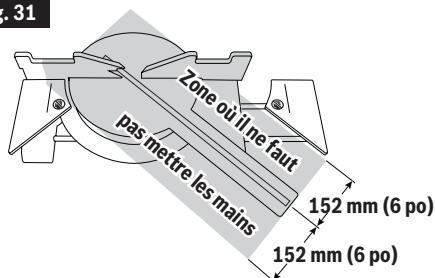
Préparation en vue des opérations de la scie

Fig. 30



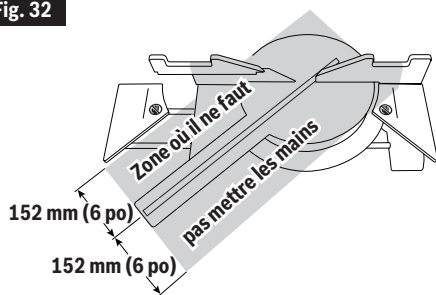
La zone où il ne faut pas mettre les mains pour toutes les coupes coulissantes et d'onglet à droite est définie à la Fig. 31.

Fig. 31



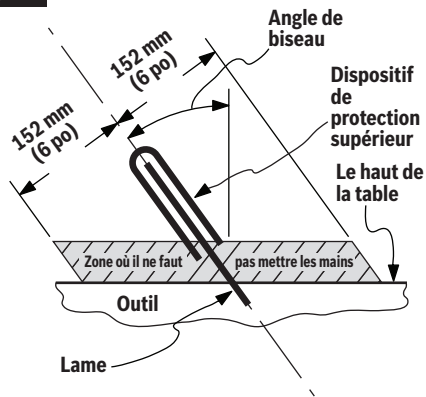
La zone où il ne faut pas mettre les mains pour toutes les coupes coulissantes et d'onglet à gauche est définie à la Fig. 32.

Fig. 32



Pour toutes les coupes en biseau, la zone où il ne faut pas mettre les mains s'étend verticalement jusqu'au bas du dispositif de protection supérieur lorsque la tête est dans la position de coupe la plus basse (Fig. 33).

Fig. 33



Utilisez le guide coulissant en dehors de la zone où il ne faut pas mettre les mains

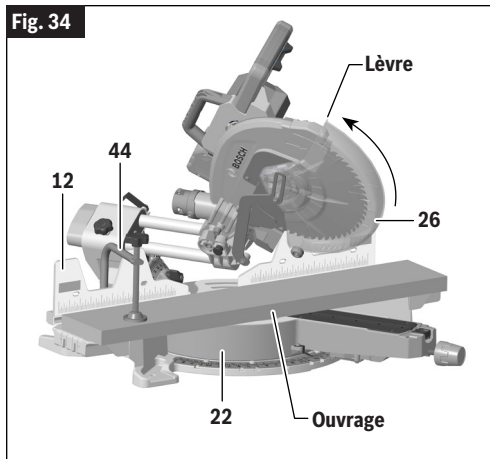
Utilisez le guide coulissant (Fig. 34, 12) et des supports d'ouvrage supplémentaires pour soutenir correctement l'ouvrage et le maintenir en place ou le serrer en dehors de la zone où il ne faut pas mettre les mains (Fig. 30, Fig. 31, Fig. 32, Fig. 33).

L'ouvrage peut être maintenu contre la table (Fig. 34, 22) et le guide (12) à la main uniquement en dehors de la zone où il ne faut pas mettre les mains.

- **Maintenez fermement l'ouvrage contre la table et le guide pour empêcher tout mouvement.**
- **Maintenez les mains en position jusqu'à ce que la gâchette de déclenchement ait été relâchée et que la lame ait cessé complètement de fonctionner.**
- **Ne mettez jamais les mains sur les composants du mécanisme.**
- **Maintenez les pieds fermement sur le sol et veillez à garder solidement votre équilibre.**
- **Suivez le bras de l'onglet lorsque vous allez vers la gauche ou vers la droite. Tenez-vous légèrement sur le côté de la lame de scie.**

Préparation en vue des opérations de la scie

Fig. 34



Essai à blanc

⚠ AVERTISSEMENT Tenez toujours compte de la trajectoire de la lame de scie. Effectuez un essai à blanc avec le bloc-piles toujours déconnecté et la scie hors tension en réalisant une simulation de cycle de coupe, et observez la trajectoire prévue de la lame de scie. Gardez les mains hors de la trajectoire de coupe de la lame de scie.

Il est important de savoir où la lame et l'ouvrage feront leur intersection pendant les opérations de coupe. Exécutez toujours la séquence de coupe simulée pendant que le bloc-piles est déconnecté et l'outil électrique est hors tension pour pouvoir comprendre quelle sera la trajectoire prévue de la lame de scie. Notez mentalement où la trajectoire de la lame de scie tombera, et placez votre ouvrage de façon à ce que vos mains et vos bras ne soient pas sur la trajectoire de la lame en train de tourner. Ajustez vos brides de fixation et vos guides de manière que le mouvement du dispositif de protection inférieur et l'action de coupe ne soient pas perturbés pendant l'opération de coupe.

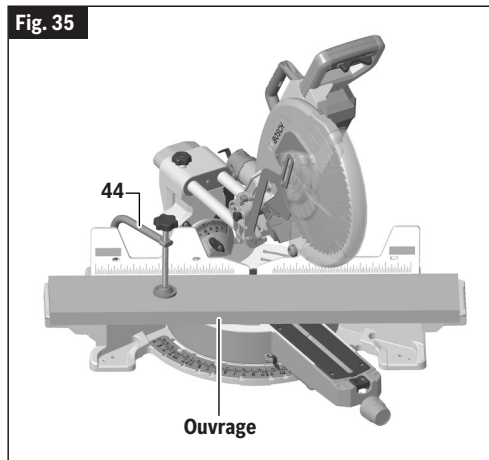
Le dispositif de protection inférieur

⚠ AVERTISSEMENT Il se peut que le dispositif de protection inférieur (Fig. 34, 26) ne s'ouvre pas automatiquement dans certaines conditions de coupe ; par exemple, lorsque vous essayez de couper des pièces qui sont proches de la capacité de hauteur de coupe maximale. Dans ces conditions, ou pendant le mouvement de coupe de la lame, l'ouvrage à usiner peut arrêter le mouvement du dispositif de protection inférieur avant que le mouvement descendant du bras ne puisse ouvrir le dispositif de protection inférieur.

Si cela se produit :

L'ouvrage doit être attaché de façon sécurisée avec la bride de fixation (Fig. 34 et Fig. 35, 44). Ceci libère une de vos mains pour lui permettre de soulever le dispositif de protection inférieur (26) par la lèvre, juste assez pour lui permettre de dépasser l'ouvrage.

Fig. 35



Mettez la scie en marche et commencez votre coupe. Une fois que vous avez dépassé la position où le dispositif de protection inférieur pourrait se coincer, relâchez le dispositif de protection et celui-ci continuera à fonctionner automatiquement à mesure que vous coupez.

Préparation en vue des opérations de la scie

Support de l'ouvrage

Brides de fixation

⚠ AVERTISSEMENT Il peut y avoir des coupes composées extrêmes où une bride de fixation ne peut pas être utilisée. Soutenez l'ouvrage avec votre main en dehors de la zone où il ne faut pas mettre les mains. N'essayez pas de couper des pièces courtes qui ne peuvent pas être serrées et qui font que votre main se trouve dans la zone où il ne faut pas mettre les mains.

⚠ AVERTISSEMENT Tenez toujours compte de la trajectoire de la lame de scie. Effectuez un essai à blanc avec le bloc-piles toujours déconnecté et la scie hors tension en réalisant une simulation de cycle de coupe, et observez la trajectoire prévue de la lame de scie. Gardez les mains à au moins 15 cm / 6 po de la trajectoire prévue de la lame de scie.

Utilisation de la bride de fixation de l'ouvrage – Cette bride de fixation (Fig. 35, 44) permet de sécuriser facilement un ouvrage sur la table ou sur la base.

1. Insérez la barre moletée de la bride de fixation dans un trou du poteau de fixation (Fig. 36, 42). Il y a deux trous dans le poteau qui sont situés dans la base derrière le guide (Fig. 3). L'extrémité moletée doit être dans le poteau à au moins 13 mm / 1/2 po.
2. Faites glisser la bride de fixation vers le bas jusqu'à ce que son pied en caoutchouc entre en contact avec l'ouvrage.
3. Réglez la hauteur de la bride de fixation de manière à ce qu'elle ne touche pas le guide coulissant.
4. Tournez le bouton de la bride de fixation jusqu'à ce que l'ouvrage soit fermement maintenu en place.
5. Déplacez la tête de la scie vers le haut et vers le bas et vers l'avant et l'arrière pour vous assurer qu'elle dépasse la bride de fixation.

Autres brides de fixation – D'autres dispositifs de fixation tels que des brides de fixation en C peuvent être utilisés pour maintenir un ouvrage fermement contre la table (Fig. 36, 22) et le guide (12). Assurez-vous que les brides de fixation ne sont pas sur la trajectoire de coupe.

Guides coulissants

⚠ AVERTISSEMENT Pour assurer un espacement suffisant (minimum 6 po) entre la main et la lame de la scie, déployez les guides coulissants (Fig. 32, 12) lorsque vous effectuez des coupes extrêmes de biseau, d'onglet ou composées.

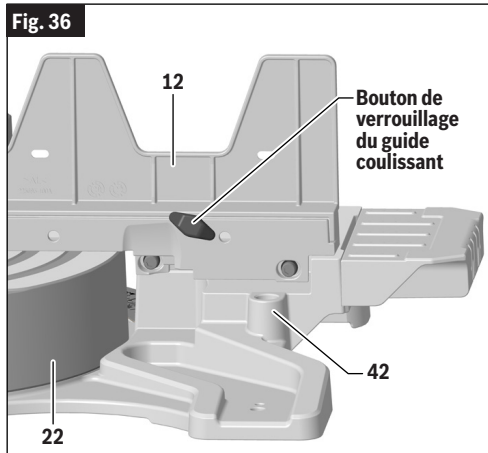
Guides coulissants en fonctionnement

1. Desserrez le bouton de verrouillage du guide coulissant (Fig. 36) dans le sens contraire des aiguilles d'une montre d'un demi-tour pour desserrer le guide.
2. Faites glisser le guide (12) dans la position désirée.
3. Serrez le bouton de verrouillage dans le sens des aiguilles d'une montre pour verrouiller la position du guide coulissant.

Retrait des guides coulissants

Il peut être nécessaire de retirer le guide coulissant (Fig. 36, 12) pour effectuer des coupes en biseau extrêmes et la plupart des coupes composées.

1. Desserrez le bouton de verrouillage du guide coulissant (Fig. 36) en effectuant 6 rotations dans le sens contraire des aiguilles d'une montre.
2. Soulevez et retirez le guide coulissant (12).



Support d'ouvrages longs

⚠ AVERTISSEMENT Les ouvrages longs ont tendance à basculer s'ils ne sont pas sécurisés et supportés correctement depuis le dessous.

⚠ AVERTISSEMENT Ne demandez pas à une autre personne de tenir l'ouvrage à la place d'une rallonge de table ou d'un dispositif de support additionnel. Un support instable pour l'ouvrage peut entraîner le coincement de la lame ou le déplacement de l'ouvrage à usiner pendant l'opération de coupe, ce qui vous entraînera ainsi que la personne qui vous aide vers la lame en rotation.

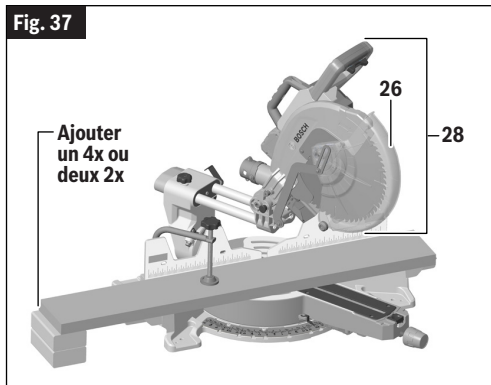
Préparation en vue des opérations de la scie

Support additionnel pour l'ouvrage

⚠ AVERTISSEMENT Assurez-vous toujours que les surfaces de support soient en mesure de supporter l'ouvrage et permettent de le tenir à la main en dehors de la zone où il ne faut pas mettre la main ou en plaçant une bride de fixation à l'intérieur ou à l'extérieur de cette zone. (Voir « Position du corps et des mains » à la page 84 pour en savoir plus sur la zone où il ne faut pas mettre les mains et sur les positions de main appropriées.)

⚠ AVERTISSEMENT Tenez toujours compte de la trajectoire de la lame de scie. Effectuez un essai à blanc avec le bloc-piles toujours déconnecté et la scie hors tension en réalisant une simulation de cycle de coupe, et observez la trajectoire prévue de la lame de scie. Gardez les mains à au moins 15 cm / 6 po de la trajectoire prévue de la lame de scie.

Blocs – Les ouvrages longs ont besoin de plus de support. La hauteur de la base (89 mm / 3-1/2 po) est conçue pour correspondre au bois d'œuvre standard d'un 4x ou de deux 2x. Des planches de cette épaisseur et de cette hauteur peuvent être utilisées pour créer des rallonges de support auxiliaires pour les ouvrages de grande longueur (Fig. 37).



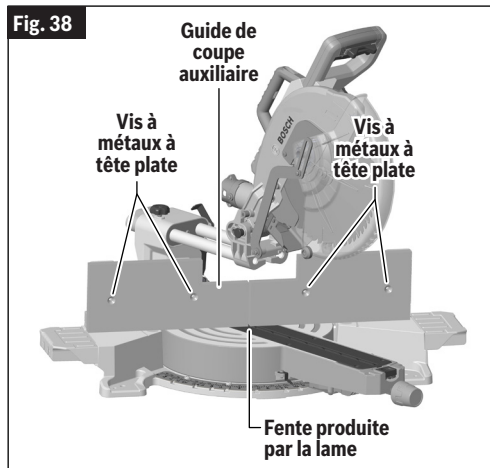
Fabrication d'un guide auxiliaire

⚠ AVERTISSEMENT Vérifiez qu'il n'y a pas d'interférences entre le guide auxiliaire et les composants de la tête de scie en effectuant une coupe d'essai. Des interférences affectant le guide peuvent empêcher le bon fonctionnement de la scie et causer des blessures et/ou endommager l'outil.

⚠ AVERTISSEMENT Tenez toujours compte de la trajectoire de la lame de scie. Effectuez un essai à blanc avec le bloc-piles toujours déconnecté et la scie hors tension en réalisant une simulation de cycle de coupe, et observez la trajectoire prévue de la lame de scie. Gardez les mains à au moins 15 cm / 6 po de la trajectoire prévue de la lame de scie.

Certains types de moulures nécessitent une extension face au guide en raison de la taille et de la position de l'ouvrage. Des trous ont été faits dans le guide pour permettre d'attacher un guide auxiliaire. N'utilisez le guide auxiliaire que lorsque la scie est en position de biseau à 0°.

1. Pour créer un guide auxiliaire (Fig. 38), placez un morceau de bois contre le guide coulissant (Fig. 36, 12). Le bois peut avoir une hauteur maximale de 140 mm / 5-1/2 po. Assurez-vous que le guide auxiliaire n'interfère pas avec le mouvement de l'ensemble de tête de la scie (Fig. 37, 28).



2. Marquez les emplacements des trous de support sur le bois depuis le côté arrière du guide.
3. Percez et fraisez les trous à l'avant de la planche de support.

Préparation en vue des opérations de la scie

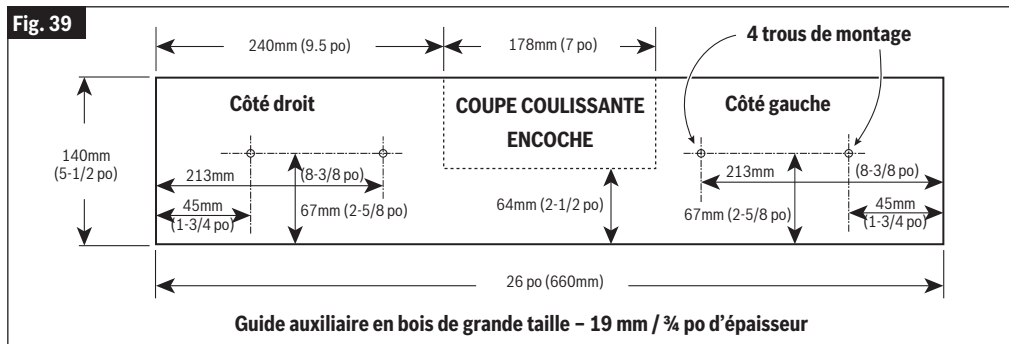
4. **Fixation depuis le devant du guide :** Sécurisez (chaque) guide auxiliaire à l'aide de deux (2) vis à métaux à tête plate de 3/16 po (M5) (Fig. 38). Avec un guide auxiliaire de 19 mm / 3/4 po, utilisez des vis de 38 mm / 1-1/2 po de long. Sécurisez-le derrière le guide en métal avec des rondelles et des écrous mécaniques.

Fixation depuis l'arrière du guide : Avec un guide auxiliaire de 19 mm / 3/4 po, utilisez des vis à bois à tête ronde M6 de 1/4 po (20 mm / 3/4 po de long). Percez quatre trous pilotes dans le guide auxiliaire et vissez les vis depuis l'arrière du guide en métal.

5. Effectuez une coupe à pleine profondeur pour créer la fente produite par la lame. Assurez-vous qu'il n'y a pas d'interférence entre le guide auxiliaire (Fig. 38) et le dispositif de protection inférieur de la lame (Fig. 37, **26**). Faites les ajustements nécessaires.

6. Pour obtenir des coupes sans échardes, utilisez la méthode de la coupe par tronçonnage.

7. Lors des coupes coulissantes, le centre doit être entaillé selon le modèle (Fig. 39).



Opérations de la scie

Fonctionnement des freins

⚠ AVERTISSEMENT L'action de freinage de cette scie n'est pas conçue pour servir de fonction de sécurité. Souvenez-vous d'attendre que la scie s'arrête complètement avant de retirer la lame de l'ouvrage. Comme toujours, le système de protection est votre meilleure protection contre un contact involontaire avec une lame de scie en rotation. Ne bloquez JAMAIS l'ouverture et n'empêchez JAMAIS la fermeture du dispositif de protection inférieur.

⚠ AVERTISSEMENT Assurez-vous que vous connaissez l'état de charge de votre pile. L'action de freinage électrique n'est déclenchée QUE par le relâchement de l'interrupteur à gâchette, et seulement dans un outil pouvant être connecté à une source d'alimentation électrique. En cas de perte d'alimentation électrique en conséquence d'une pile déchargée ou pour toute autre cause, le frein électrique ne fonctionnera pas et le moteur ralentira progressivement. Un arrêt inattendu peut causer des dommages matériels et/ou des blessures.

Votre scie est pourvue d'un frein électrique automatique qui est conçu pour arrêter la rotation de la lame au bout d'environ cinq (5) secondes après le relâchement de l'interrupteur à gâchette. Ceci est utile pour effectuer certaines coupes dans le bois, où une lame en roue libre produirait une coupe large et imprécise.

Le freinage commence dès que l'alimentation électrique est désactivée.

Le frein nécessite une pile chargée pour pouvoir fonctionner. Le temps d'arrêt de fonctionnement dépendra, entre autres facteurs, de la lame de scie utilisée et du nombre de mouvements d'actionnement du frein. Le frein électrique de votre scie à onglet a été conçu pour être extrêmement fiable, mais des circonstances inattendues telles que de la contamination ou une défaillance de composants du moteur pourraient empêcher le frein de fonctionner. Si l'outil fonctionne mais si le frein n'arrête pas systématiquement la lame en cinq secondes environ, n'utilisez PAS la scie à onglet et faites-la réparer par un centre de service usine Bosch ou par un centre de réparation Bosch agréé.

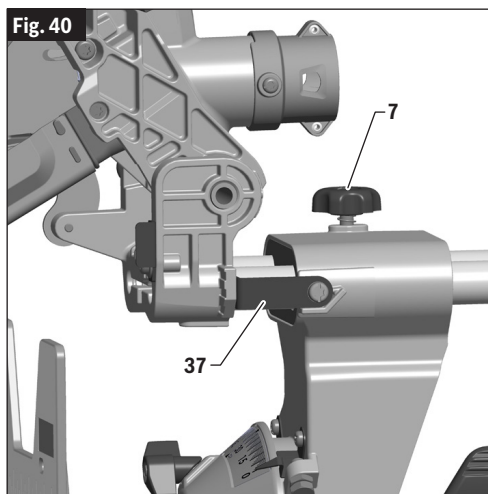
Verrou de coupe/couronne

Cette scie est équipée d'un verrou de coupe/couronne (Fig. 40, 37) destiné à bloquer l'ensemble de la tête en place tout en offrant une capacité maximale pour les coupes verticales et les coupes en couronne.

Engagement de la tête pour les coupes verticales et les moulures couronnées

Pour effectuer des coupes verticales contre le guide, jusqu'à 6-3/4 po de hauteur, engagez la fonction de coupe/couronne :

1. Desserrez le bouton de verrouillage du rail coulissant (Fig. 40, 7) en le tournant dans le sens contraire des aiguilles d'une montre.
2. Faites glisser l'ensemble de la tête (Fig. 34, 28) vers l'avant et faites pivoter le verrou de coupe/couronne (Fig. 40, 37) en position.
3. Verrouillez le système de rail coulissant en place en tournant le bouton de verrouillage du rail coulissant dans le sens des aiguilles d'une montre.



Opérations de la scie

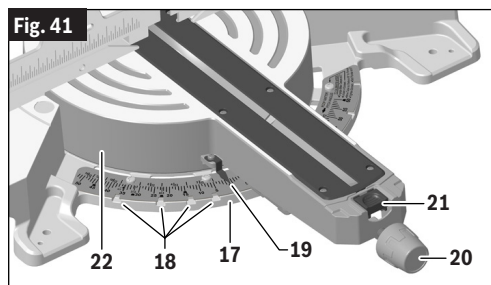
Utilisation du bouton de verrouillage de l'onglet

1. Desserrez le bouton de verrouillage du biseau.
2. Tout en tenant le bouton dans la paume de votre main, appuyez sur le bouton de cran d'onglet, faites tourner la table vers la gauche ou la droite pour obtenir l'angle d'onglet souhaité, puis relâchez le bouton.
3. Une fois l'angle correct atteint, serrez le bouton en le tournant dans le sens des aiguilles d'une montre.

REMARQUE : Il est recommandé de serrer le bouton de verrouillage d'onglet avant toutes les coupes. Serrez toujours le bouton de verrouillage d'onglet avant de couper à un angle quelconque entre les crans ou lorsque le système de neutralisation de cran d'onglet est utilisé.

Utilisation du système de crans d'onglet

1. Desserrez le bouton de verrouillage d'onglet (Fig. 41, 20) d'un demi-tour environ.



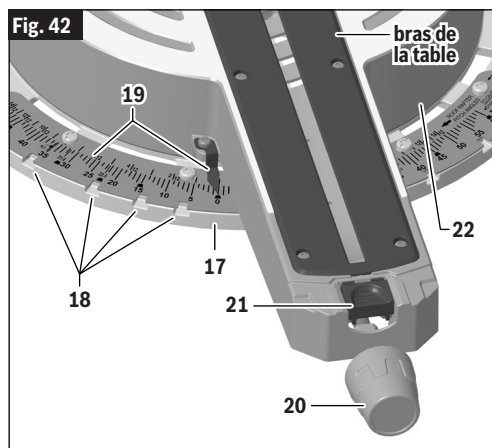
2. Saisissez le bouton de verrouillage de l'onglet (20), puis poussez le bouton de neutralisation du cran d'onglet (21) vers le bas avec votre pouce, et appuyez jusqu'à ce que le bouton soit sorti de la plaque de crans (17).
3. Tout en saisissant le bouton de verrouillage d'onglet (20) et le bouton de neutralisation des crans d'onglet (21), faites tourner la table de sciage (22). Arrêtez la rotation de la table à l'angle souhaité comme indiqué par le pointeur de l'échelle d'onglets (19).
4. Relâchez le levier dans un cran (18) de la plaque de crans (17) ou dans un angle entre les crans. Si c'est près d'un cran d'onglet, utilisez la fonction de neutralisation du cran d'onglet.
5. Serrez le bouton de verrouillage d'onglet (20) en le tournant dans le sens des aiguilles d'une montre avant de commencer à couper.

REMARQUE : Il est recommandé de serrer le bouton de verrouillage d'onglet (20) avant toutes les coupes. Serrez tou-

jours le bouton de verrouillage d'onglet avant de couper à un angle quelconque entre les crans (18) ou lorsque le système de neutralisation des crans d'onglet est utilisé.

Neutralisation des crans d'onglet

La fonctionnalité de neutralisation des crans d'onglet (Fig. 42, 21) permet de déverrouiller l'action de fixation du cran d'onglet pour permettre des micro-ajustements à n'importe quel angle d'onglet. Lorsque l'angle d'onglet souhaité est trop proche d'un angle d'onglet standard comportant une fente pour un cran (18), cette fonctionnalité empêche le coin sur le levier de cran d'onglet de glisser dans la fente du cran de la plaque des crans d'onglet (17).



1. Enfoncez le bouton de neutralisation du cran d'onglet (21).
2. Poussez le bouton de neutralisation des crans d'onglet (21) vers l'avant et verrouillez-le en place sous le bord de réception du bras de la table (Fig. 42).
3. Faites tourner la table (22) dans n'importe quelle position sur l'échelle d'onglets (19).
4. Serrez le bouton de verrouillage d'onglet (20) en le tournant dans le sens des aiguilles d'une montre de façon à maintenir la position d'onglet choisie.

Pour désengager :

Appuyez et tirez sur le bouton de neutralisation du cran d'onglet (Fig. 42, 21) et la table (22) devrait se verrouiller dans le cran d'onglet (18) souhaité.

Opérations de la scie

Coupes de tronçonnage

Qu'est-ce qu'une coupe de tronçonnage ?

- Une « coupe de tronçonnage » est une coupe transversale effectuée lorsque la scie est maintenue dans la position la plus reculée et qu'elle est utilisée comme une scie à onglet conventionnelle (non coulissante). L'utilisation de la méthode de coupe de tronçonnage réduit la capacité de coupe transversale. Cependant, de nombreux utilisateurs préfèrent cette méthode car elle est plus rapide lors de coupes répétées. Cette méthode peut également produire des coupes plus précises car la tête de la scie est verrouillée en position rétractée.
- Cette scie est dotée de butées d'angles de biseau qui s'arrêtent avec précision aux angles critiques : 45° à gauche/droite et 0° à droite. Elle est livrée réglée en usine et ne devrait pas nécessiter de réglages supplémentaires. Toutefois, après une utilisation intensive ou si l'outil a reçu un choc violent, il peut nécessiter un réglage.
- Une coupe de tronçonnage permet de couper des pièces d'une largeur de 140 mm / 5-1/2 po ou moins.

Préparation pour la coupe de tronçonnage

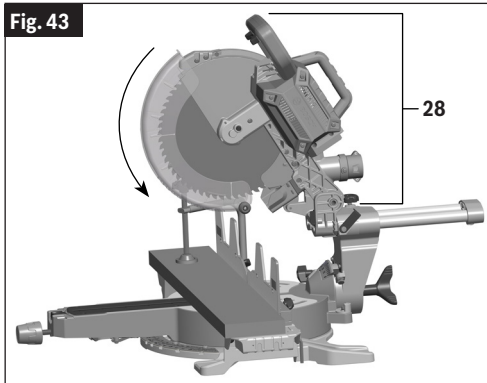
⚠ AVERTISSEMENT Utilisez une position de fixation qui ne fait pas interférence avec l'opération. Avant de mettre l'outil en marche, abaissez l'ensemble de tête pour vous assurer que la bride de fixation dépasse le dispositif de protection et l'ensemble de tête.

⚠ AVERTISSEMENT Tenez toujours compte de la trajectoire de la lame de scie. Effectuez un essai à blanc avec le bloc-piles toujours déconnecté et la scie hors tension en réalisant une simulation de cycle de coupe, et observez la trajectoire prévue de la lame de scie. Gardez les mains à au moins 15 cm / 6 po de la trajectoire prévue de la lame de scie.

1. Avec l'ensemble de la tête de scie (Fig. 43, 28) en position élevée, repoussez-la par dessus le guide vers.
2. Verrouillez le bouton de verrouillage du rail coulissant (Fig 40, 7) en le tournant dans le sens des aiguilles d'une montre.
3. Positionnez correctement votre ouvrage et attachez-le fermement à la table (Fig. 44, 22), au guide (12), ou aux deux.

Réalisation d'une coupe de tronçonnage

1. Activez l'interrupteur (Fig. 1, 3), puis abaissez complètement l'ensemble tête de scie (Fig. 43, 28) pour effectuer la coupe.
2. Maintenez l'ensemble tête de scie vers le bas jusqu'à ce que la lame s'arrête complètement. Positionnez alors l'ensemble tête de scie en position élevée (UP). Retirez l'ouvrage.



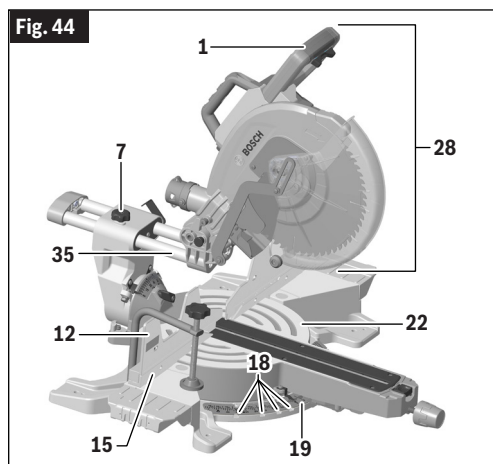
Opérations de la scie

Coupes coulissantes

Qu'est-ce qu'une coupe coulissante ?

⚠ AVERTISSEMENT Ne tirez JAMAIS la scie vers vous pendant une coupe. La lame peut soudainement monter sur le dessus de l'ouvrage et se diriger vers vous avec une grande force.

- Une « coupe coulissante » est effectuée avec l'ensemble de la tête (Fig. 44, 28) déverrouillé et capable de s'éloigner du guide (12). Ce mouvement est soutenu et contrôlé avec précision par le système de rail coulissant (35). Cette méthode permet d'utiliser au maximum la capacité de coupe transversale.



- La coupe coulissante est idéale pour couper en travers des pièces plus larges que celles qui peuvent être coupées par une coupe de tronçonnage – des pièces plus larges que 140 mm / 5-1/2 po (140 mm) et jusqu'à une largeur maximale de 356 mm / 14 po.

Préparation pour la coupe coulissante

⚠ AVERTISSEMENT Utilisez une position de fixation qui ne fait pas interférence avec l'opération. Avant d'allumer l'appareil, abaissez l'ensemble de tête (Fig. 44, 28) pour vous assurer que la bride de fixation dépasse le dispositif de protection et l'ensemble de tête.

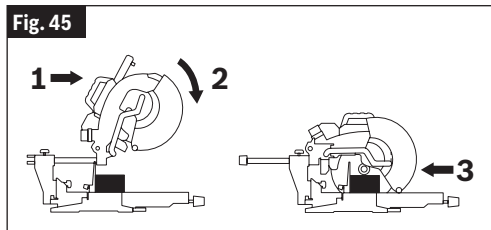
⚠ AVERTISSEMENT Tenez toujours compte de la trajectoire de la lame de scie. Effectuez un essai à blanc avec le bloc-piles toujours déconnecté et la scie hors tension en réalisant une simulation de cycle de coupe, et observez la trajectoire prévue de la lame de scie. Gardez les mains à au moins 15 cm / 6 po de la trajectoire prévue de la lame de scie.

Placez l'ensemble de la tête de scie (Fig. 44, 28) en position élevée (UP).

1. Desserrez le bouton de verrouillage du rail coulissant (7) en le tournant dans le sens contraire des aiguilles d'une montre (vers la gauche).
2. Après avoir mis l'ensemble de tête (28) en position élevée (UP), déplacez-le complètement vers l'avant et vers l'arrière pour vérifier que le système de rail coulissant (35) se déplace en douceur.
3. Positionnez correctement votre ouvrage et attachez-le fermement à la table (22) et/ou au guide (12).

Réalisation d'une coupe coulissante

1. Après avoir mis l'ensemble de tête dans la position ÉLEVÉE (Fig. 44, 28), saisissez la poignée principale (1) et déplacez l'ensemble de tête complètement vers l'avant, dans le sens opposé à celui du guide (12).
2. Activez l'interrupteur (Fig. 1, 3), puis abaissez complètement l'ensemble de tête de scie (Fig. 44, 28) (Fig. 45, **Actions 1 et 2**). Sur des pièces de plus grandes dimensions, cette action peut aussi commencer la coupe.



3. Poussez vers le bas et vers l'arrière pour que l'ensemble de tête de la scie se déplace vers le guide (Fig. 44, 12) et vers la position arrière complète jusqu'à ce que vous ayez terminé la coupe (Fig. 45, **Action 3**).

REMARQUE : Si vous ressentez une forte résistance, n'appliquez pas une force excessive – arrêtez la coupe, attendez que la lame s'arrête et examinez le problème.

4. Maintenez la tête de la scie vers le bas jusqu'à ce que la lame s'arrête complètement. Remettez la tête de la scie en position élevée (UP) et retirez l'ouvrage.

Opérations de la scie

Coupe d'onglets

Qu'est-ce qu'une coupe d'onglet ?

- Une « coupe d'onglet » est une coupe transversale effectuée avec la lame perpendiculaire à la table horizontale (Fig. 44, 22). La lame n'est pas inclinée et les pointeurs de biseau sont tous les deux sur les lignes à 0°.
- Les coupes d'onglet peuvent être effectuées à n'importe quel angle sur un ouvrage dans la plage de cette scie, de 52° à gauche à 60° à droite.
- L'échelle d'onglets (19) montre l'angle de la lame par rapport au guide de la scie (12). Le pointeur d'onglet est fixé à la table (22) et indique la position de l'onglet de la scie avant que la coupe ne soit effectuée.
- Dix crans d'arrêt positifs (18) permettent de préréglager rapidement et précisément les angles d'onglet dans les positions suivantes : 45°, 31,6°, 22,5°, 15° à gauche et à droite, et 0° au centre. Le côté droit possède un cran supplémentaire de 60°.
- Les crans d'arrêt des moulures couronnées à gauche et à droite sont à 31,6° pour la coupe composée de moulures couronnées à 38° (« angle de ressort ») reposant à plat sur la table. Voir la rubrique « Coupe de moulure couronnée » à la page 100.
- Pour des réglages de précision à des angles d'onglet très proches des crans d'onglet, utilisez la fonctionnalité de neutralisation des crans d'onglet pour empêcher le cran

de s'engager automatiquement dans la fente des crans. Voir la rubrique « Neutralisation des crans d'onglet » à la page 91.

- Une coupe d'onglet peut être réalisée sous la forme d'une coupe de tronçonnage, soit sous la forme d'une coupe coulissante, en fonction de la largeur de l'ouvrage.

Lecture de l'échelle d'onglets

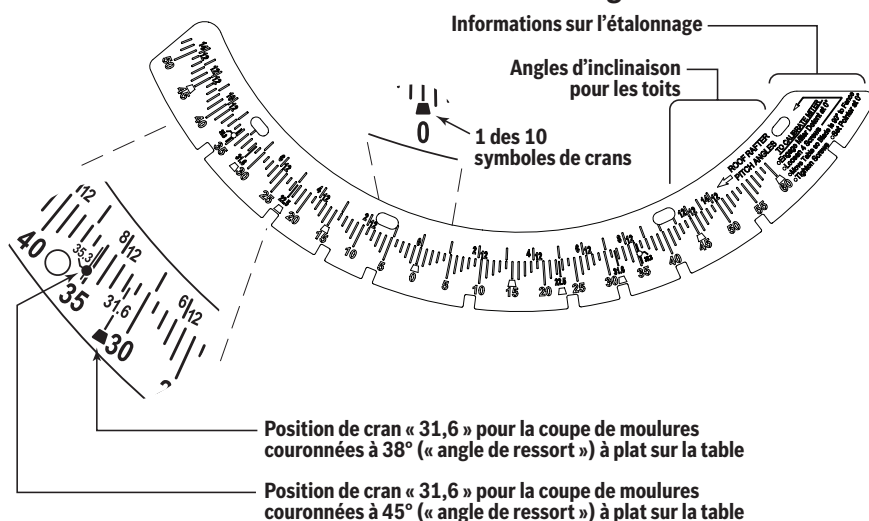
L'échelle d'onglets (Fig. 44, 19 et Fig. 46) utilisée sur cette scie comprend plusieurs échelles d'informations pour aider l'utilisateur à préréglager précisément cette scie avant d'effectuer les coupes.

Informations sur l'angle d'inclinaison – La section supérieure de l'échelle d'onglets (Fig. 46) indique les réglages d'angles nécessaires pour couper les chevrons de toit selon le système d'angles d'inclinaison. 2/2, 4/12, 6/12, etc., sont tous des angles d'inclinaison. Ce système est basé sur l'utilisation des « pouces » anglais. Un toit ayant un angle d'inclinaison de 6/12 correspond à un rapport de 6 po de « montée » pour chaque longueur de « descente » de 12 po (Fig. 47).

Information sur les moulures couronnées – Il existe des réglages de la position de l'onglet pour la coupe composée des moulures couronnées à plat sur la table. La moulure de couronne avec un « angle de ressort » de 38° utilise le réglage 31,6 (avec cran), et la moulure couronnée avec un « angle de ressort » de 45° utilise le réglage 35,3.

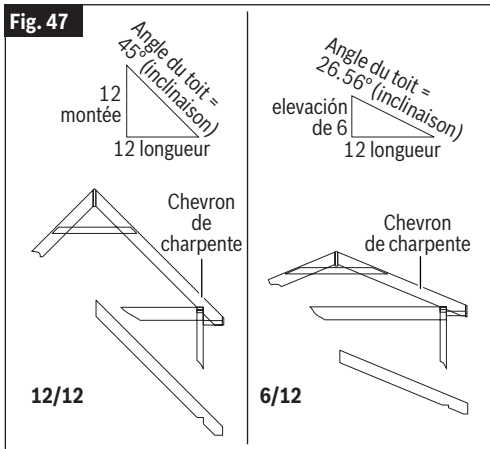
Fig. 46

Informations sur l'échelle d'onglets



Opérations de la scie

Fig. 47

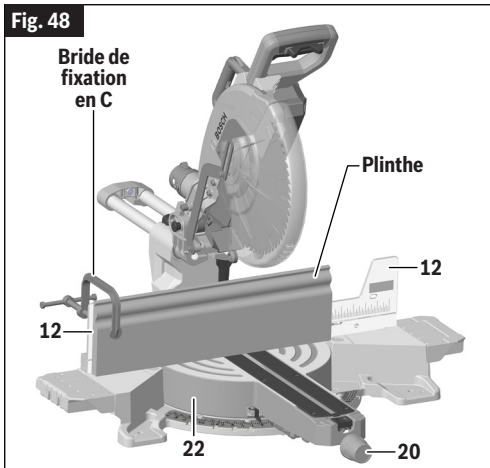


REMARQUE : Cette méthode de coupe nécessite également le réglage d'angles de biseau spécifiques. Voir la rubrique « Coupe de moulure couronnée » à la page 100.

Coupe d'onglet de planches de base de 171 mm / 6-3/4 po

- Cette scie peut couper en onglet des planches de base de 171 mm / 6-3/4 po de hauteur (Fig. 48) positionnées verticalement contre le guide (12) à n'importe quel angle d'onglet de 47° à gauche à 47° à droite. Toutes les coupes angulaires doivent être effectuées avec la planche de base placée sur le côté gauche de la table (22). Pour certaines coupes, la planche de base devra être retournée ou placée avec la face avant contre le guide. Utilisez toujours une bride de fixation en C (Fig. 48) pour maintenir la planche de base sur le guide avant d'effectuer des coupes. Engagez le verrou de coupe/couronne comme expliqué à la section « Verrou de coupe/couronne » à la page 21.

Fig. 48

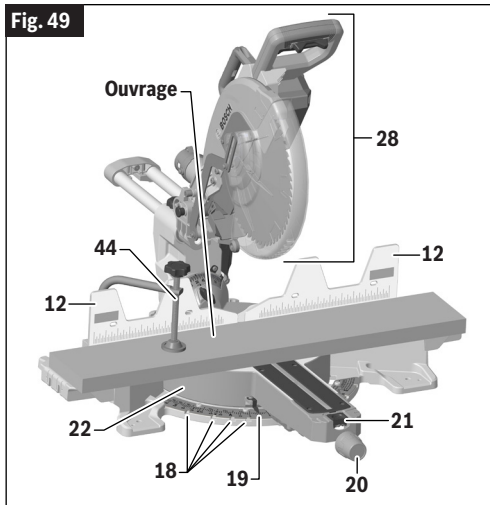


Réglage de la scie pour effectuer une coupe d'onglet

⚠ AVERTISSEMENT Utilisez une position de fixation qui ne fait pas interférence avec l'opération. Avant de mettre l'outil en marche, abaissez l'ensemble de tête pour vous assurer que la bride de fixation dépasse le dispositif de protection et l'ensemble de tête.

1. Voir « Utilisation du système de crans d'onglet » à la page 91.
2. Desserrez le bouton de verrouillage d'onglet (Fig. 49, 20). Appuyez sur le bouton de neutralisation des crans d'onglet (21) et déplacez la scie à l'angle désiré, en utilisant soit les crans (18), soit l'échelle d'onglets (19). Serrez le bouton de verrouillage d'onglet (20).

Fig. 49



3. Déployez le guide (12) du côté où la coupe sera effectuée. (Voir « Support de l'ouvrage » à la page 87.)
4. Positionnez l'ouvrage de façon appropriée. Assurez-vous que l'ouvrage est fermement fixé contre la table (Fig. 48, 22) avec une bride de fixation (Fig. 49, 44) ou contre le guide avec une bride de fixation en C (Fig. 49).
5. Suivez la procédure « Coupes de tronçonnage » à la page 92 ou « Coupes coulissantes » à la page 93.
6. Attendez que la lame arrête complètement de tourner avant de remettre l'ensemble de tête (Fig. 49, 28) dans la position surélevée et/ou de retirer l'ouvrage.

Opérations de la scie

Coupes en biseau

Qu'est-ce qu'une coupe en biseau ?

Une « coupe en biseau » est une coupe transversale effectuée avec la lame perpendiculaire au guide (Fig. 49, 12) et avec la table (22) réglée sur un onglet de 0°. La lame peut être inclinée à n'importe quel angle dans la plage de la scie : 47° à gauche et 47° à droite par rapport à la verticale.

L'échelle de biseau est dimensionnée et positionnée pour permettre une lecture facile (Fig. 50, 10 et Fig. 51). Le levier de verrouillage du biseau (Fig. 52, 34) sert à verrouiller et déverrouiller les différents réglages.

Des indicateurs de butée de biseau rotatifs (Fig. 50 et Fig. 52, 33) vous permettent de régler les butées de biseau les plus courantes : 33,9°, 45° et 47° à gauche et à droite (Fig. 51). La butée de biseau de 33,9° permet de couper sur la table des moulures couronnées à 38° (« angle de ressort »). Pour plus d'informations, voir « Coupes composées » à la page 98.

Fig. 50

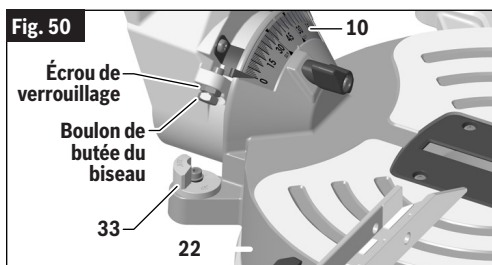


Fig. 52

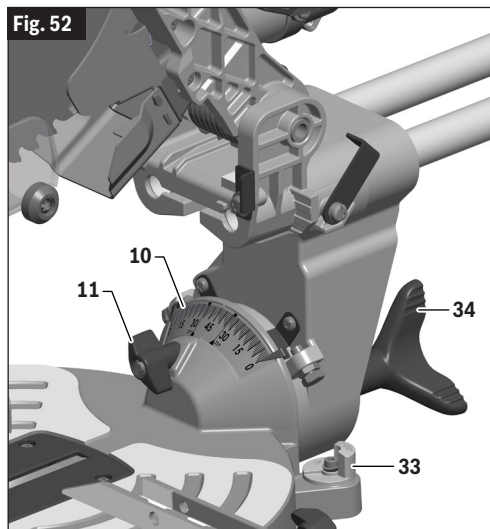
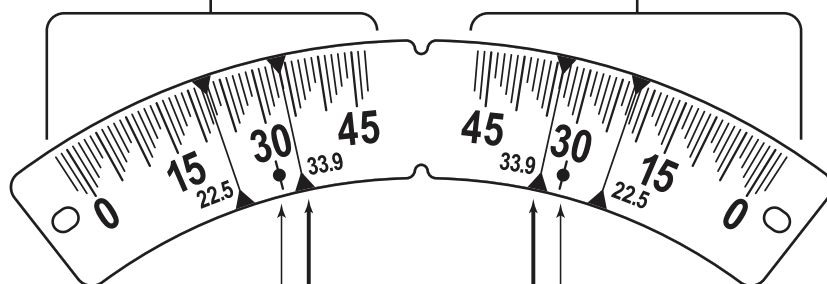


Fig. 51

Informations sur l'échelle de biseaux

Regarder tout en inclinant vers la droite

Regarder tout en inclinant vers la gauche



30

Les positions « 30 » permettent de couper des moulures couronnées à 38° (« angle de ressort ») à plat sur la table

33,9

Les positions « 33,9 » permettent de couper des moulures couronnées à 45° (« angle de ressort ») à plat sur la table

Remarque : La scie est dotée d'un cran d'arrêt à 33,9 qui la maintient automatiquement à cet angle de biseau

Opérations de la scie

Réglage de la scie pour effectuer une coupe en biseau

1. Prolongez le guide. Voir « Guides coulissants » à la page 87.

Remarque : Veillez à éloigner le guide coulissant (Fig. 49, **12**) de la lame pour éviter de couper dans le guide lors de la coupe en biseau. Il peut être nécessaire de retirer le guide coulissant pour effectuer des coupes en biseau extrêmes et la plupart des coupes composées. Voir « Guides coulissants » à la page 87.

2. Tournez le bouton de verrouillage du biseau (Fig. 52, **34**) dans le sens des aiguilles d'une montre pour déverrouiller l'ensemble de tête.
3. Réglez votre indicateur de butée de biseau de gauche ou de droite (**33**) sur l'un des trois emplacements prédéfinis, 33,9°, 45°, 47°, ou inclinez l'ensemble de la tête (Fig. 49, **28**) jusqu'à ce que vous atteigniez l'angle souhaité sur votre échelle de biseaux (Fig. 51 et Fig. 52, **10**).

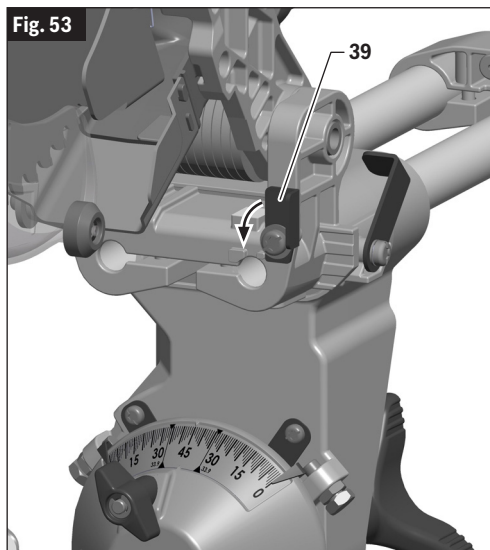
Remarque : Pour biseauter la scie vers la droite, le bouton de sélection de la plage de biseaux doit être tiré vers l'avant (Fig. 52, **11**).

4. Verrouillez le biseau en tournant le bouton de verrouillage du biseau (Fig. 52, **34**) dans le sens contraire des aiguilles d'une montre.
5. Suivez la procédure « Coupes de tronçonnage » à la page 92 ou « Coupes coulissantes » à la page 93.

Butée 2x@45

Avant d'effectuer une coupe en biseau droit sur un ouvrage dont l'épaisseur est supérieure à 26 mm / 1 po, engagez la butée 2x@45 (Fig. 53, **39**) en tournant le levier dans le sens contraire des aiguilles d'une montre.

La butée 2x@45 n'a pas besoin d'être engagée pour les ouvrages d'une épaisseur inférieure à 26 mm / 1 po.



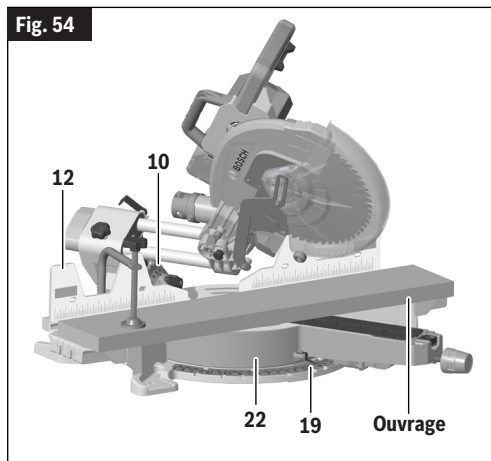
Opérations de la scie

Coupes composées

⚠ AVERTISSEMENT Pour les coupes composées, ajustez le guide coulissant (Fig. 54, 12) pour qu'il ne soit pas sur la trajectoire de la lame et du système de protection.

⚠ AVERTISSEMENT Avant de scier, vérifiez toujours qu'il n'y a pas d'interférence entre les parties mobiles et fixes de la scie. Ces combinaisons d'onglets et de biseaux peuvent provoquer des interférences entre les parties coulissantes et fixes de la scie ou entre les parties coulissantes et l'ouvrage.

Fig. 54



Qu'est-ce qu'une coupe composée ?

- Une « coupe composée » est une coupe transversale unique effectuée avec la lame de la scie pré-réglée à deux angles combinant un angle d'onglet (par rapport au guide vertical) et un angle de biseau (par rapport à la table horizontale).
- Les angles d'onglet seront avec la table tournée à l'écart de 0° et dans la plage de cette scie de 52° à gauche à 60° à droite.
- On parle d'angle de biseau lorsque la lame est inclinée par rapport à 0°. La portée de cette scie est de 47° à gauche et de 47° à droite.
- Une coupe composée peut être réalisée en tant que coupe de tronçonnage ou coupe coulissante. (Voir « Coupes de tronçonnage » à la page 92 ou « Coupes coulissantes » à la page 93.)

Réalisation d'une coupe composée

⚠ AVERTISSEMENT Utilisez une position de fixation qui ne fait pas interférence avec l'opération. Avant de mettre l'outil en marche, abaissez l'ensemble de tête pour vous assurer que la bride de fixation dépasse le dispositif de protection et l'ensemble de tête.

⚠ AVERTISSEMENT Tenez toujours compte de la trajectoire de la lame de scie. Effectuez un essai à blanc avec le bloc-piles toujours déconnecté et la scie hors tension en réalisant une simulation de cycle de coupe, et observez la trajectoire prévue de la lame de scie. Gardez les mains à au moins 15 cm / 6 po de la trajectoire prévue de la lame de scie.

Suivez ces instructions pour réaliser votre coupe composée :

1. Déployez le guide (Fig. 54, 12).
2. Positionnez l'ouvrage de façon appropriée. Assurez-vous que l'ouvrage est fermement sécurisé contre la table (22) et le guide (12).
3. Réglez les angles d'onglet pour les coupes d'onglet conformément aux instructions de la section « Coupes d'onglet » à la page 37, et réglez les angles de biseau pour les coupes en biseau conformément aux instructions de la section « Coupes en biseau » à la page 96.
4. Suivez les procédures de « Coupes de tronçonnage » à la page 92 ou « Coupes coulissantes » à la page 93.
5. Attendez que la lame de la scie arrête complètement de tourner avant de remettre l'ensemble de tête (Fig. 49, 28) dans la position surélevée, puis retirez l'ouvrage.

La coupe d'une moulure couronnée à plat sur la table (22) nécessite des coupes composées. Voir la rubrique « Coupe de moulure couronnée » à la page 100.

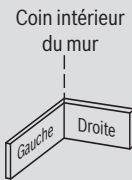
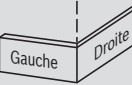
Opérations de la scie

Coupe de plinthes

Une plinthe peut être coupée verticalement contre le guide (Fig. 54, **12**) ou à plat sur la table (**22**). La taille maximale qui peut être verticale sur le guide est de 171 mm / 6-3/4 po, et à plat sur la table elle est de 343 mm / 13-1/2 po.

Voir le tableau « Instructions pour la coupe de plinthes » ci-dessous pour obtenir des conseils utiles sur la coupe de plinthes pour des coins qui ont des angles de 90°.

La coupe de plinthes peut se faire soit par une coupe de tronçonnage, soit par une coupe coulissante, en fonction de la taille de l'ouvrage. (Voir « Coupes de tronçonnage » à la page 92 ou « Coupes coulissantes » à la page 93.)

Instructions pour couper des plinthes					
PLACEMENT DE LA MOULURE SUR LA SCIE →		Moulure en position verticale : L'arrière de la moulure est contre le guide		Moulure en position horizontale : L'arrière de la plinthe est à plat sur la table	
Angle de biseau →		Biseau = 0°		Biseau = 45°	
Pièce de moulure en cours de découpe →		À gauche du coin	A droite du coin	À gauche du coin	A droite du coin
Coin intérieur du mur 	Angle d'onglet	Gauche à 45°	A droite à 45°	0°	0°
	Placement de la moulure sur la scie	En bas contre la table	En bas contre la table	Le haut contre le guide	Le haut contre le guide
	Côté fini	Gardez le côté gauche de la coupe	Gardez le côté droit de la coupe	Gardez le côté gauche de la coupe	Gardez le côté gauche de la coupe
Coin extérieur du mur 	Angle d'onglet	A droite à 45°	Gauche à 45°	0°	0°
	Placement de la moulure sur la scie	En bas contre la table	En bas contre la table	Le bas contre le guide	Le haut contre le guide
	Côté fini	Gardez le côté gauche de la coupe	Gardez le côté droit de la coupe	Gardez le côté droit de la coupe	Gardez le côté droit de la coupe

Opérations de la scie

Coupe de moulure couronnée

Les coupes des moulures couronnées doivent être positionnées correctement pour s'adapter exactement.

Il y a deux façons de couper les moulures couronnées : à plat sur la table ou de façon inclinée par rapport à la table et au guide.

Consultez le tableau « Réglages de l'onglet et du biseau pour les coupes standard de moulures couronnées (lorsque l'ouvrage est incliné contre le guide) » ci-dessous pour obtenir des conseils utiles sur la coupe de moulures couronnées pour des coins qui ont des angles de 90°.

L'« angle de ressort » de la moulure couronnée est entre l'arrière de la moulure et la surface plate du bas qui se place contre le mur.

Cette scie à onglet a des crans d'onglet spéciaux à 31,6° et des crans de biseau à 33,9°. Ces crans vous permettent de positionner facilement la plupart des moulures en couronne à plat sur la table (Fig. 54, 22) et de réaliser des coupes précises pour les coins de 90°.

REMARQUE : Ces crans ne peuvent pas être utilisés avec une moulure couronnée de 45°. Ces crans ne peuvent être utilisés qu'avec un « angle de ressort » de 38°.

Reportez-vous également à la section « Moulure couronnée posée à plat sur la table » à la page 102 pour connaître les angles d'onglet et de biseau permettant de couper les moulures couronnées qui ont des angles de ressort de 38° et de 45°. Le tableau « Réglages d'onglets et de biseaux pour les coupes standard de moulures couronnées (lorsque l'ouvrage est incliné contre le guide) » ci-dessous répertorie les réglages d'onglets et de biseaux exacts requis pour une large gamme d'angles de coins.

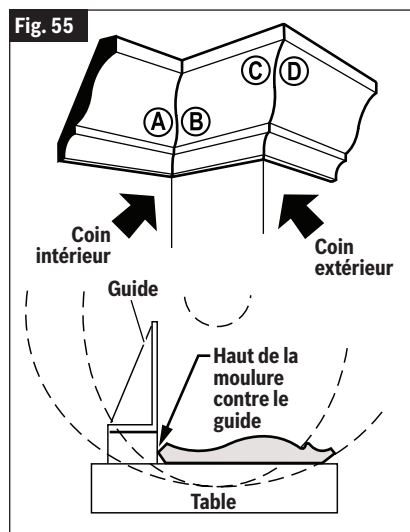
Même si ces angles sont standard, la plupart des pièces n'ont pas des angles d'exactement 90° ; vous devrez donc affiner vos réglages.

Les rapporteurs d'angle numériques GAM 220 MF et GAM 270 MFL de Bosch, disponibles en option, mesurent les angles de ressorts et les angles de coins, puis ils déterminent automatiquement les réglages d'onglets et de biseaux exacts nécessaires pour que chaque coupe de moulure couronnée s'adapte parfaitement.

Réglages d'onglets et de biseaux pour les coupes standard de moulures couronnées (lorsque l'ouvrage est incliné contre le guide)

Toute moulure couronnée jusqu'à 152 mm / 6 po		
Remarque : Placez toujours le bord inférieur guide contre le guide	Onglet (Table) Réglage	Biseau (inclinaison) Réglage
Coin intérieur		
Extrémité gauche (Fig. 55, A) Utilisez l'extrémité gauche de la coupe	45° à droite	0° à gauche
Extrémité droite (Fig. 55, B) Utilisez l'extrémité droite de la coupe	45° à gauche	0° à droite
Coin extérieur		
Extrémité gauche (Fig. 55, C) Utilisez l'extrémité gauche de la coupe	45° à gauche	0° à droite
Extrémité droite (Fig. 55, D) Utilisez l'extrémité droite de la coupe	45° à droite	0° à gauche

Hypothèses : Le moulage est fraisé de manière cohérente. L'angle du coin est de 90°. Pour les autres angles de coins, divisez la mesure réelle par 2.



Opérations de la scie

Moulure couronnée inclinée contre la table et le guide

⚠ AVERTISSEMENT Tenez toujours compte de la trajectoire de la lame de scie. Effectuez un essai à blanc avec le bloc-piles toujours déconnecté et la scie hors tension en réalisant une simulation de cycle de coupe, et observez la trajectoire prévue de la lame de scie. Gardez les mains à au moins 15 cm / 6 po de la trajectoire prévue de la lame de scie.

La méthode préférée pour couper les moulures couronnées avec cette scie est de poser la moulure à plat sur la table.

L'avantage de couper la moulure de façon inclinée contre le guide (Fig. 56, 12) est qu'il n'est pas nécessaire de régler le biseau. Seul l'angle de l'onglet est réglé.

La largeur maximale de la moulure couronnée pouvant être coupée et inclinée par rapport à la table et au guide est de 165 mm / 6-1/2 po.

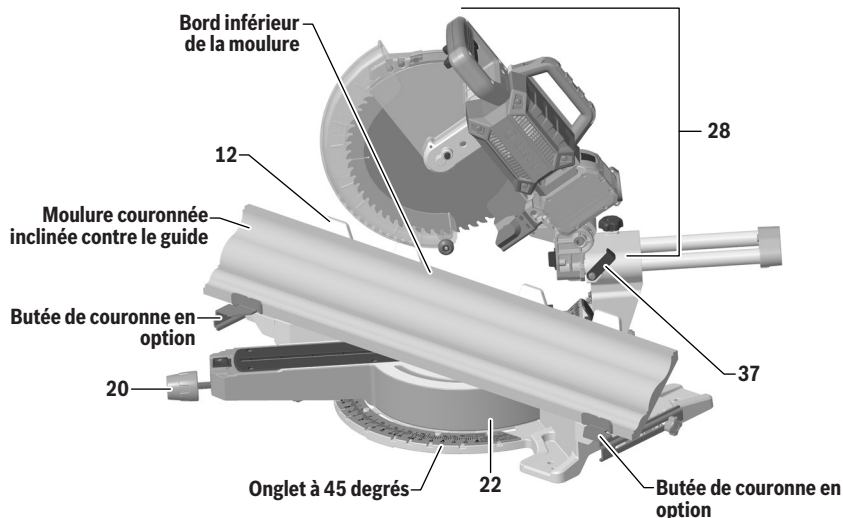
Pour couper les moulures couronnées de cette manière, il est recommandé d'acheter et d'utiliser le jeu de butées de couronnes en option (Fig. 56). Engagez le verrou de coupe/couronne (37).

Suivez ces instructions pour couper une moulure couronnée posée de façon inclinée par rapport à la table et au guide.

1. Positionnez la moulure de telle sorte que le bas (Fig. 56), la partie décorative, qui est installée contre le mur, soit contre le guide (12).
2. Pour un angle de coin de 90°, réglez l'angle d'onglet à l'aide du tableau ci-dessous. Serrez le bouton de verrouillage de l'onglet (20).
3. Soutenez la moulure couronnée contre le guide (12). (Voir la rubrique « Position du corps et des mains » à la page 84.)
4. Suivez la procédure de « Coupes de tronçonnage » à la page 92 ou « Coupes coulissantes » à la page 93.
5. Attendez que la lame de la scie arrête complètement de tourner avant de remettre l'ensemble de tête (28) dans la position surélevée, puis retirez l'ouvrage.

REMARQUE : Effectuez toujours une coupe d'essai en utilisant des morceaux de bois mis au rebut pour confirmer les angles corrects.

Fig. 56



Opérations de la scie

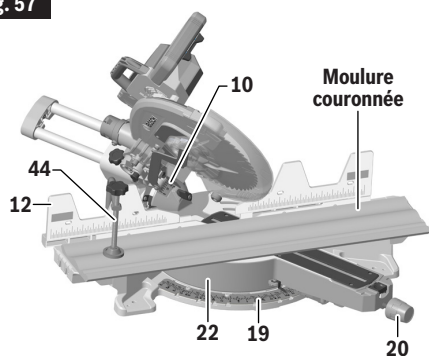
Moulure couronnée posée à plat sur la table

⚠ AVERTISSEMENT Utilisez une position de fixation qui ne fait pas interférence avec l'opération. Avant de mettre l'outil en marche, abaissez l'ensemble de tête pour vous assurer que la bride de fixation dépasse le dispositif de protection et l'ensemble de tête.

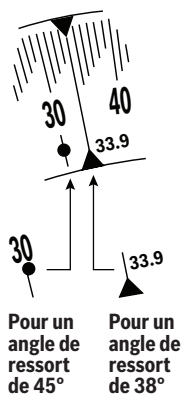
⚠ AVERTISSEMENT Tenez toujours compte de la trajectoire de la lame de scie. Effectuez un essai à blanc avec le bloc-piles toujours déconnecté et la scie hors tension en réalisant une simulation de cycle de coupe, et observez la trajectoire prévue de la lame de scie. Gardez les mains à au moins 15 cm / 6 po de la trajectoire prévue de la lame de scie.

REMARQUE : Placez la pièce avec son dos à plat sur la table de la scie (Fig. 57, 22).

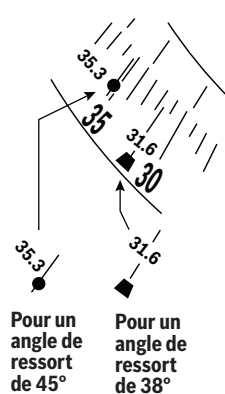
Fig. 57



Réglages de l'échelle de biseaux



Réglages de l'échelle d'onglets



Placez toujours le bord supérieur de la moulure contre le guide (12). (Le bord décoratif se trouve au bas de la moulure couronnée)

L'« angle de ressort » est l'angle entre le mur et la moulure couronnée.

La coupe de moulures couronnées à plat sur la table (22) peut être effectuée soit en tant que coupe de tronçonnage, soit en tant que coupe coulissante, selon la largeur de l'ouvrage.

Pour les coupes étroites lors de la découpe de la couronne à plat sur la table, vous aurez besoin d'un guide auxiliaire spécial. Voir « Fabrication d'un guide auxiliaire » à la page 104.

1. Pour les angles de coins à 90°, réglez les angles de biseaux et d'onglets ; voir le tableau « Réglages d'onglets et de biseaux pour les coupes standard de moulures couronnées (avec la moulure à plat sur la table) ». Serrez le bouton de verrouillage d'onglet (20) et le bouton de verrouillage du biseau (Fig. 52, 34).
2. Positionnez la moulure sur la table de sciage (Fig. 57, 22). Fixez la pièce à l'aide de la bride de fixation pour attache rapide (44).
3. Suivez la procédure de « Coupes de tronçonnage » à la page 92 ou « Coupes coulissantes » à la page 93.
4. Attendez que la lame de la scie arrête complètement de tourner avant de remettre l'ensemble de tête (Fig. 56, 28) dans la position surélevée, puis retirez l'ouvrage.

REMARQUE : Effectuez toujours une coupe d'essai en utilisant des morceaux de bois mis au rebut pour confirmer les angles corrects.

Consultez le tableau « Réglages d'onglets et de biseaux pour les coupes standard de moulures couronnées (avec la moulure à plat sur la table) » pour obtenir des conseils utiles sur la coupe de moulures couronnées pour des coins qui ont des angles de 90°.

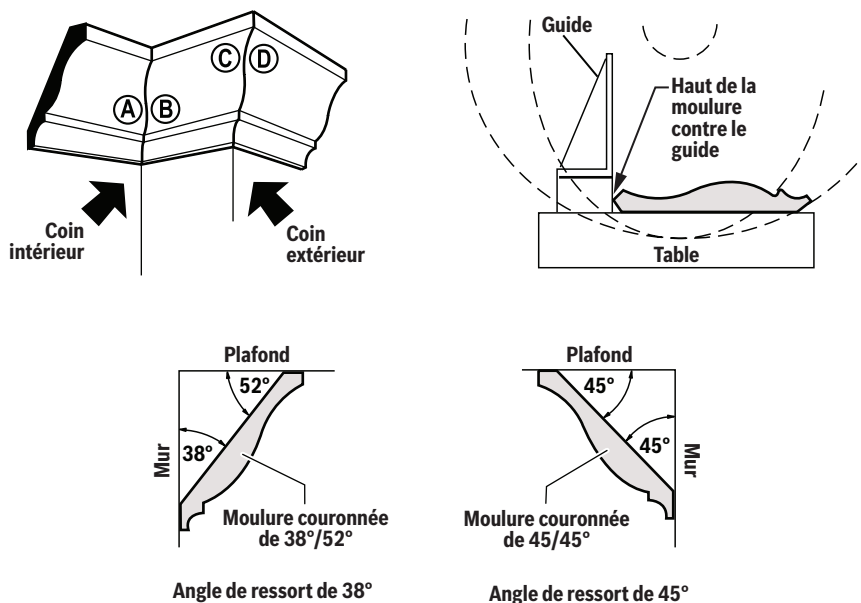
Opérations de la scie

Réglages d'onglets et de biseaux pour les coupes standard de moulures couronnées (avec la moulure à plat sur la table)

Hypothèses : Les moulures sont fraisées de manière cohérente. Le coin est exactement à 90°.

	Angle du ressort de la moulure 38°		Molding Spring Angle 45°	
	Onglet (Table) Réglage	Réglage du biseau (inclinaison)	Onglet (Table) Réglage	Réglage du biseau (inclinaison)
Remarque : Placez toujours le bord supérieur contre le guide				
Coin intérieur				
Extrémité gauche (Fig. 58, A) Utilisez l'extrémité gauche de la coupe	31,6° à droite	33,9° à gauche	35,3° à droite	30° à gauche
Extrémité droite (Fig. 58, B) Utilisez l'extrémité droite de la coupe	31,6° à gauche	33,9° à droite	35,3° à gauche	30° à droite
Coin extérieur				
Extrémité gauche (Fig. 58, C) Utilisez l'extrémité gauche de la coupe	31,6° à gauche	33,9° à droite	35,3° à gauche	30° à droite
Extrémité droite (Fig. 58, D) Utilisez l'extrémité droite de la coupe	31,6° à droite	33,9° à gauche	35,3° à droite	30° à gauche

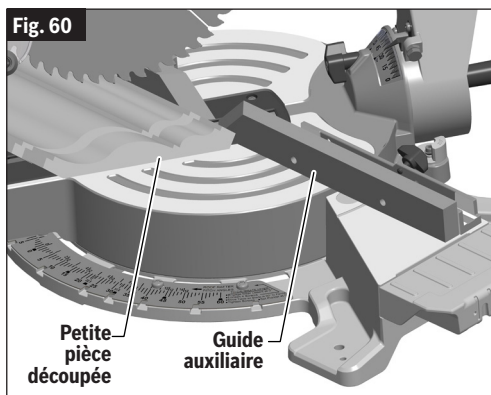
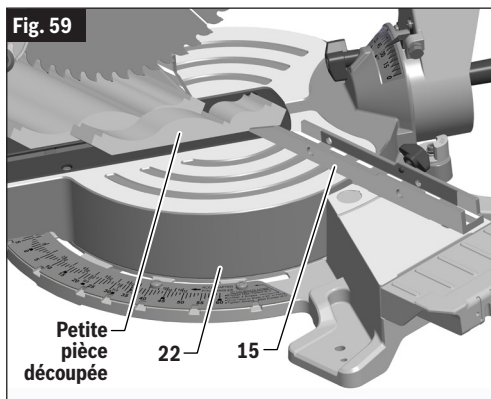
Fig. 58



Opérations de la scie

Guide auxiliaire pour moulure couronnée

AVERTISSEMENT Lorsque vous effectuez une coupe composée sur une moulure posée à plat sur la table, des pièces découpées étroites, d'une largeur de 50 mm / 2 po ou moins, peuvent être projetées à grande vitesse par-dessus le guide au-delà de l'arrière de l'outil (Fig. 59). Utilisez le guide auxiliaire (Fig. 60) comme indiqué ci-dessous.



Un guide auxiliaire (Fig. 60) est utilisé pour ajouter un support à la pièce découpée, telle qu'une grande moulure couronnée, lorsqu'elle est coupée à plat sur la table (Fig. 59, 22). Cela réduira les éclats et le mouvement de la pièce de bois découpée non soutenue après la coupe.

Fabrication d'un guide auxiliaire

Pièces nécessaires :

- Planche de bois (décrit ci-dessous)
- 4 – Vis à métaux à tête plate – diamètre de 1/4 po (M6) ; longueur de 65mm / 2-1/2 po
- 4 – Rondelles plates de 1/4 po (M6)
- 4 – Écrous

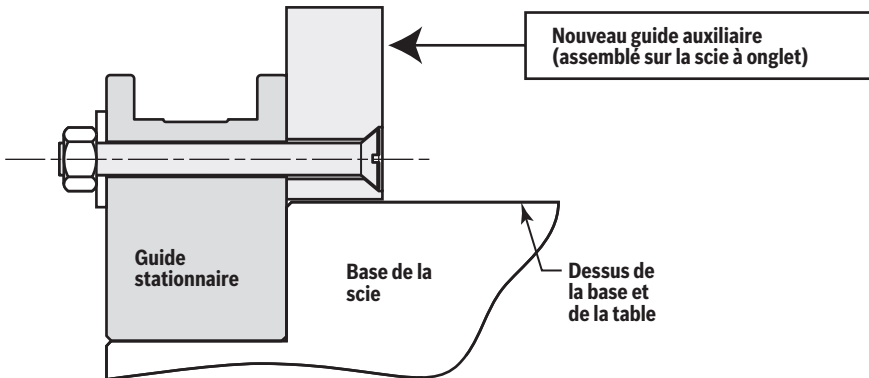
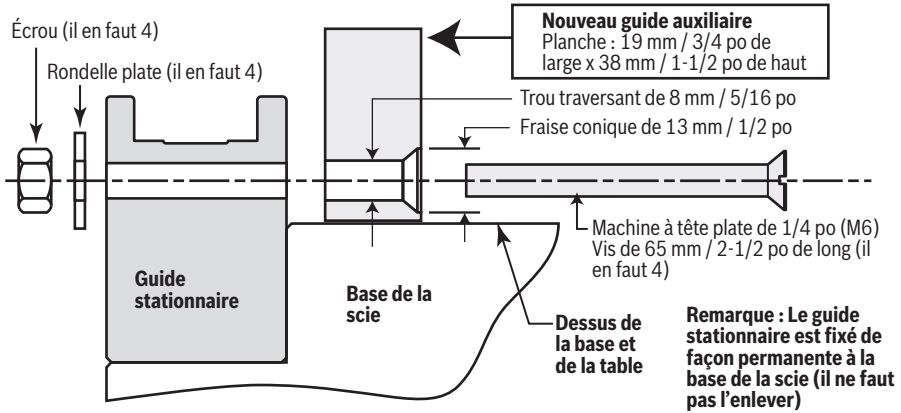
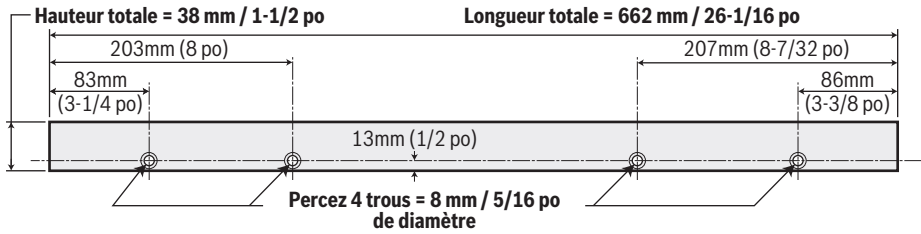
1. Coupez une planche de bois nominale de 1 po x 2 po à une longueur de 662 mm / 26-1/16 po.

REMARQUE : 1 po x 2 po en valeur nominale équivaut à 19 x 38 mm / 3/4 po x 1-1/2 po en valeur réelle. Du contreplaqué de 19 mm / 3/4 po coupé à la dimension voulue peut être substitué.

2. Percez quatre trous dans la planche à l'aide d'une mèche de 8 mm / 5/16 po de diamètre. Fraisez les trous suffisamment profondément pour que les vis à tête plate reposent sous la surface de travail avant – utilisez une mèche de 13 mm / 1/2 po de diamètre (Fig. 61).
3. Retirez les guides coulissants de la scie. Voir « Guides coulissants » à la page 87.
4. Placez les vis à tête plate dans les trous du guide auxiliaire, puis dans les trous du guide stationnaire de l'outil.
5. Placez les rondelles et les écrous sur les filets des vis et contre le guide stationnaire. Serrez les écrous.

Opérations de la scie

Fig. 61



Opérations de la scie

Première utilisation du guide auxiliaire

⚠ AVERTISSEMENT Tenez toujours compte de la trajectoire de la lame de scie. Effectuez un essai à blanc avec la scie toujours hors tension en réalisant une simulation de cycle de coupe, et observez la trajectoire prévue de la lame de scie. Gardez les mains à au moins 15 cm / 6 po de la trajectoire prévue de la lame de scie.

REMARQUE : La première fois que le guide auxiliaire est utilisé, il est coupé par la lame de la scie – la coupe crée un dégagement minimal qui réduit les éclats sur l'ouvrage. Réglez l'angle d'onglet et l'angle de biseau requis avant d'effectuer la première coupe.

Serrez la pièce, puis effectuez la coupe – exemple : coupe composée de grandes moulures couronnées à plat sur la table (Fig. 57).

Guide auxiliaire – L'utilisation d'un guide auxiliaire lors de la coupe de moulures couronnées à plat sur la table réduira les éclats provenant de votre pièce et le déplacement des petites pièces coupées. Avant d'attacher le guide auxiliaire, retirez les guides coulissants de la scie. Voir « Guides coulissants » à la page 87.

Construisez le guide auxiliaire en suivant le modèle de la Fig. 61 – Matériaux : Bois de 19 mm x 38 mm / 3/4 po x 1-1/2 po.

Ajoutez 4 trous comme indiqué sur le modèle ou ajoutez des trous en suivant les étapes ci-après :

1. Coupez le bois aux dimensions extérieures indiquées et attachez-le temporairement au guide stationnaire de la scie (Fig. 57, **12**) à l'aide de deux brides de fixation en C.
2. Utilisez une mèche de 6 mm / 1/4 po pour percer d'abord les trous existants à l'arrière du guide stationnaire (**12**), puis le bois.
3. Retirez le bois, fraisez l'avant du bois et attachez-le de façon permanente au guide de la scie (**12**) à l'aide du matériel illustré à la Fig. 61.

Coupes spéciales

⚠ AVERTISSEMENT Utilisez une position de fixation qui ne fait pas interférence avec l'opération. Avant de mettre l'outil en marche, abaissez l'ensemble de tête pour vous assurer que la bride de fixation dépasse le dispositif de protection et l'ensemble de tête.

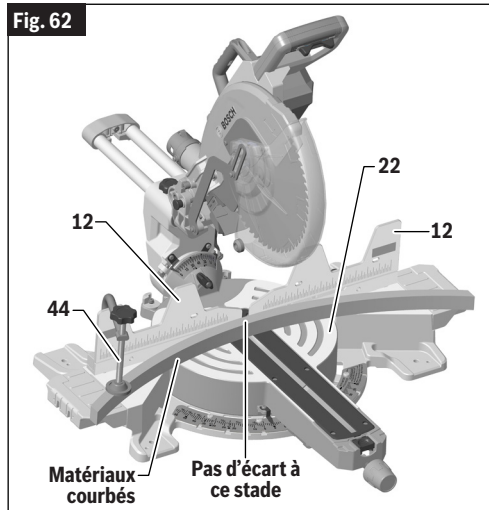
⚠ AVERTISSEMENT Tenez toujours compte de la trajectoire de la lame de scie. Effectuez un essai à blanc avec le bloc-piles toujours déconnecté et la scie hors tension en réalisant une simulation de cycle de coupe, et observez la trajectoire prévue de la lame de scie. Gardez les mains à au moins 15 cm / 6 po de la trajectoire prévue de la lame de scie.

⚠ AVERTISSEMENT Pour assurer un espacement suffisant (minimum de 152 mm / 6 po) entre la main et la lame de la scie, déployez le guide coulissant et les rallonges de la base lors de coupes en biseau, de coupes d'onglet ou de coupes composées extrêmes.

Les coupes de matériaux courbés et de matériaux ronds ne sont que deux exemples de coupes spéciales.

Coupe de matériaux courbés

Si l'ouvrage est tordu ou courbé, assujettissez-le de manière que la partie extérieure recourbée soit face au guide (Fig. 62, **12**). Assurez-vous toujours qu'il n'y a pas d'espace entre l'ouvrage, le guide et la table (**22**) le long de la ligne de coupe. Les ouvrages courbés ou tordus peuvent subir une torsion supplémentaire ou bouger, ce qui risquerait d'avoir pour effet



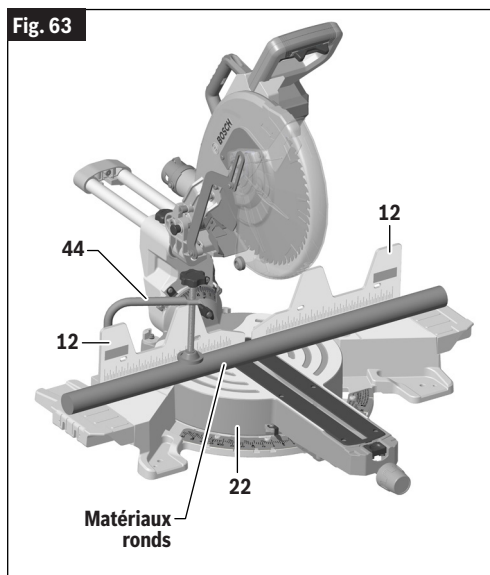
Opérations de la scie

que la lame de la scie en train de tourner se coince pendant la coupe.

Coupe de matériaux ronds ou de forme irrégulière

Pour les matériaux ronds tels que les goujons ou les tubes, utilisez toujours une bride de fixation (Fig. 63, **44**) ou un accessoire conçu pour serrer l'ouvrage fermement contre le guide (**12**) et la table (**22**). Les tiges ont tendance à rouler pendant la coupe, ce qui fait que la lame « mord » l'ouvrage et l'attire ainsi que votre main dans la lame.

Fig. 63



Maintenance et lubrification

⚠ AVERTISSEMENT Débranchez le bloc-piles avant de procéder à une quelconque opération de montage, de réglage ou de réparation afin d'éviter tout risque de blessure.

Service après-vente

⚠ AVERTISSEMENT Toute les réparations et opérations de maintenance de votre outil doivent être effectuées par un centre de service après-vente usine de Bosch ou un poste de service agréé par Bosch. Une maintenance préventive effectuée par une personne non autorisée pourrait entraîner un placement incorrect de fils et de composants internes, ce qui pourrait être très dangereux.

Piles

Vérifiez régulièrement les blocs-piles pour vous assurer qu'ils n'approchent pas de la fin de leur durée de vie. Si vous constatez une réduction de la performance de l'outil ou de l'autonomie de fonctionnement entre deux charges, cela signifie que le moment est venu de remplacer le bloc-piles. Si vous ne le remplacez pas, l'outil risquerait de fonctionner de façon inappropriée ou le chargeur risquerait d'être endommagé.

Entretien des lames

Les lames s'émousent au bout d'un certain temps, même en conséquence de la coupe de bois ordinaire. Si vous constatez que vous devez forcer la scie vers l'avant pour couper au lieu d'avoir simplement à la guider pendant la coupe, cela signifie probablement que la lame est émoussée ou enduite de poix végétale.

Lorsque vous voulez nettoyer la lame pour en retirer de la gomme et de la poix végétale, débranchez d'abord la scie et retirez la lame. Rappelez-vous que les lames sont conçues pour couper ; manipulez-les donc avec précaution. Essuyez la lame avec du kérosène ou un solvant similaire pour en détacher la gomme et la poix végétale. Sauf si vous avez de l'expérience dans l'affûtage des lames, nous vous recommandons de ne pas essayer.

Lubrification de l'outil

Une maintenance préventive effectuée par une personne non autorisée pourrait entraîner un placement incorrect de fils et de composants internes, ce qui pourrait être très dangereux. Nous recommandons que toutes les réparations de cet outil soient effectuées par un centre de service après-vente usine de Bosch ou par un poste de service agréé par Bosch.

Lubrifiez périodiquement les pièces mobiles en pulvérisant du silicone ou de l'huile légère. N'utilisez pas de graisse, parce que la graisse a tendance à attirer et à capturer les copeaux de la sciure.

Paliers et roulements

Tous les paliers et roulements de cet outil sont lubrifiés avec une quantité suffisante de lubrifiant de haute qualité pour la durée de vie de l'unité dans des conditions de fonctionnement normales. Aucune autre lubrification n'est nécessaire.

Nettoyage

⚠ AVERTISSEMENT Certains agents de nettoyage et solvants peuvent endommager les pièces en plastique. Citons notamment : l'essence, le tétrachlorure de carbone, les solvants de nettoyage chlorés, l'ammoniac et les détergents ménagers contenant de l'ammoniac.

Les ouvertures de ventilation et les leviers de l'interrupteur doivent être gardés propres et ne doivent être obstrués par aucun corps étranger. Utilisez une brosse pour enlever la poussière et les débris des ouvertures de ventilation et des mécanismes de protection. Ne tentez pas de les nettoyer en insérant des objets pointus à travers les ouvertures.

Vérifiez régulièrement que le dispositif de protection inférieur et toutes les pièces mobiles fonctionnent correctement. Vérifiez régulièrement que le dispositif de protection inférieur peut se déplacer de la position complètement ouverte à la position complètement fermée sans interférence. Assurez-vous que le dispositif de protection inférieur se met en position de fermeture complète lorsque la poignée principale est déplacée en position haute.

Recherche de la cause des problèmes

Guide de dépannage - Électricité

PROBLÈME	CAUSE	ACTION CORRECTIVE
Le frein n'a pas arrêté la lame au bout d'environ 5 secondes.	<ol style="list-style-type: none">1. Le boulon de fixation de la lame est desserré.2. Autre raison.	<ol style="list-style-type: none">1. Serrez le boulon de fixation de la lame.2. Service autorisé.
Le moteur ne démarre pas.	<ol style="list-style-type: none">1. Le bloc-piles n'est pas chargé.2. Le bloc-piles n'a pas été installé correctement.3. Le bloc-piles est trop chaud ou trop froid pour pouvoir fonctionner.4. La protection électronique du moteur a éteint l'outil.5. L'interrupteur est grillé.6. Autre raison.	<ol style="list-style-type: none">1. Chargez le bloc-piles si nécessaire.2. Confirmez que la pile est verrouillée correctement à sa place et qu'elle est bien fixée sur l'outil.3. Laissez la pile reposer quelques minutes ou jusqu'à ce qu'elle atteigne une température de fonctionnement normale.4. Retirez la pile et remettez-la en place. Laissez l'outil reposer quelques minutes ou jusqu'à ce qu'il atteigne une température de fonctionnement normale.5. Faites remplacer l'interrupteur par un Centre de service après-vente agréé de Bosch ou par un poste de service agréé par Bosch.6. Service autorisé.
La lumière à DEL clignote, le moteur ne démarre pas.	<ol style="list-style-type: none">1. La température de l'outil est excessive.2. La pile est surchauffée.	<ol style="list-style-type: none">1. Laissez refroidir l'outil.2. Changez la pile.

Recherche de la cause des problèmes

Guide de dépannage - Généralités

PROBLÈME	CAUSE	ACTION CORRECTIVE
L'ensemble de tête ne s'incline pas à la position désirée.	<ol style="list-style-type: none"> 1. La goupille de verrouillage du biseau est engagée et bloque l'angle de biseau à 33,9°. 2. Le réglage du bouton de sélection de la plage de biseau limite le mouvement. 	<ol style="list-style-type: none"> 1. Retirez la goupille de verrouillage du biseau de 33,9°, puis tournez la goupille d'un quart de tour pour la faire sortir. 2. Modifiez la position du bouton de sélection de la plage de biseau (Fig. 23 à la page 80, 33).
La lame frappe la table.	Désalignement.	Service autorisé.
L'angle de coupe n'est pas exact.	Les butées d'angle à 0° ou 45° doivent être ajustées.	Voir la section « Réglages » à la page 77.
Impossible de faire tourner la table pour modifier l'angle d'onglet.	<ol style="list-style-type: none"> 1. Le bouton de verrouillage de l'onglet est serré. 2. Le levier de cran d'onglet est engagé dans un cran (une fente) de la plaque de crans. 3. Accumulation de sciure de bois. 	<ol style="list-style-type: none"> 1. Tournez le bouton de verrouillage de l'onglet dans le sens contraire des aiguilles d'une montre pour le desserrer. 2. Désengagez le système de crans de la fente pour cran. Voir « Neutralisation des crans d'onglet » à la page 91. 3. Aspirez ou soufflez la poussière autour de la table tournante. Portez des lunettes de sécurité.
L'ensemble de tête ne monte pas totalement ou le dispositif de protection de la lame ne se ferme pas complètement.	<ol style="list-style-type: none"> 1. La broche de verrouillage de l'ensemble de tête est engagée. 2. Accumulation de sciure de bois. 3. Accumulation de sciure de bois. 	<ol style="list-style-type: none"> 1. Tirez sur la goupille de verrouillage de l'ensemble de tête, ce qui permet à l'ensemble de tête de s'élever. Voir « Désenclenchement de la broche de verrouillage de l'ensemble de tête » à la page 77. 2. Nettoyez l'ensemble de tête. 3. Service autorisé.
La lame lie, coince, brûle le bois. Les coupes sont grossières.	<ol style="list-style-type: none"> 1. Fonctionnement incorrect. 2. Lame émoussée. 3. Lame incorrecte. 4. Lame courbée. 	<ol style="list-style-type: none"> 1. Voir la section « Opérations de la scie » à la page 100. 2. Remplacez la lame ou réaffûtez-la. 3. Remplacez-la par une lame de 305 mm / 12 po de diamètre conçue pour le matériau à couper. 4. Remplacer la lame.

Recherche de la cause des problèmes

PROBLÈME	CAUSE	ACTION CORRECTIVE
L'ensemble de tête glisse vers l'avant et l'arrière lors d'une coupe de tronçonnage.	Le bouton de verrouillage du rail coulissant a été desserré.	Serrez le bouton de verrouillage du rail coulissant (Fig. 40 à la page 90, 7) en le tournant dans le sens des aiguilles d'une montre.
L'angle de biseau n'est pas fermement maintenu lorsque le levier de verrouillage du biseau est poussé.	Le levier de verrouillage du biseau nécessite un réglage de la tension.	Augmentez la force du levier de verrouillage du biseau en réglant l'érou de tension (Fig. 23 à la page 80).
L'outil vibre ou tremble.	<ol style="list-style-type: none"> 1. La lame de scie n'est pas ronde. 2. La lame de la scie est endommagée. 3. La lame de la scie est desserrée. 4. Autre 	<ol style="list-style-type: none"> 1. Remplacer la lame. 2. Remplacer la lame. 3. Vérifiez que la lame est correctement placée sur la rondelle intérieure. Voir la rubrique « Retrait et l'installation des lames » à la page 74. 4. Service autorisé.
L'ensemble de tête ne glisse pas librement lors d'une tentative de coupe coulissante.	Le bouton de verrouillage du rail coulissant a été serré.	Serrez le bouton de verrouillage du rail coulissant (Fig. 40 à la page 90, 7) en le tournant dans le sens contraire des aiguilles d'une montre.
La lame ne coupe pas complètement l'ouvrage.	La lame de remplacement a un diamètre inférieur à 305 mm / 12 po.	Changez à une lame d'un diamètre de 305 mm / 12 po.
La lame de la scie ou le dispositif de protection inférieur coupe ou touche le guide coulissant lorsque la scie est réglée pour des coupes en biseau.	Le guide coulissant n'est pas déplacé hors de la trajectoire de la lame de scie avant d'effectuer une coupe en biseau.	Déplacez le guide coulissant pour le dégager du dispositif de protection inférieur et de la lame de la scie. Effectuez ensuite une « coupe à sec » pour vérifier les dégagements avant d'effectuer des coupes en biseau. Voir « Essai à blanc » à la page 86.

Attachements / Accessoires

Les produits GAM 220 MF et le GAM 270 MFL sont des calculateurs d'angles/de coupes composées/rapporteurs/niveaux numériques qui vous donnent les informations nécessaires pour positionner les coupes de manière à ce qu'elles s'emboîtent précisément, même si l'ouvrage n'est pas d'équerre.

MS1233 Jeu de butée de couronne MS1233 – Permet de maintenir correctement la moulure couronnée en position inclinée contre le guide. Réglez la moulure pour une simple coupe verticale – aucune coupe composée n'est nécessaire.

Support de scie à onglet portable T1B

Support de scie à onglet portable avec roulettes GTA3800

Support de scie à onglet sur roue Gravity-Rise T4B

Símbolos de seguridad

Las definiciones que aparecen a continuación describen el nivel de gravedad de cada palabra de aviso.
Por favor, lea el manual y preste atención a estos símbolos.





	Este es el símbolo de alerta de seguridad. Se utiliza para alertarle a usted de posibles peligros de lesiones corporales. Obedezca todos los mensajes de seguridad que sigan a este símbolo para evitar posibles lesiones o la muerte.
	PELIGRO indica una situación peligrosa que, si no se evita, causará la muerte o lesiones graves.
	ADVERTENCIA indica una situación peligrosa que, si no se evita, podría causar la muerte o lesiones graves.
	PRECAUCIÓN indica una situación peligrosa que, si no se evita, podría causar lesiones leves o moderadas.

Tabla de contenido

Símbolos de seguridad	112	Inserción y liberación del paquete de batería	129
Advertencias generales de seguridad para herramientas eléctricas	113	Remoción e instalación de las hojas	129
Instrucciones de seguridad para sierras ingletadoras	115	Ensamblaje del sistema de recolección de polvo	131
Normas de seguridad adicionales	117	Ajustes	132
Símbolos	118	Utilización del pasador de fijación del ensamblaje del cabezal	132
Familiarización con su sierra ingletadora.	120	Sistema de retenes de inglete: Procedimiento de ajuste	133
Especificaciones	124	Tope de bisel a 0°	134
Uso previsto.	124	Tope de bisel a 45°	135
Corte de mampostería/metal	124	Transporte y montaje	137
Capacidades de corte.	125	Cómo levantar la sierra	137
Desempaquetado y comprobación del contenido	126	Aplicaciones de montaje	138
Desempaquetado de la sierra ingletadora	126	Preparación para operaciones con la sierra	139
Comprobación del contenido del paquete.	126	Activación del interruptor	139
Herramientas necesarias para el ensamblaje	127	Luz LED incorporada	139
Verificación de las piezas	127	Posición del cuerpo y las manos	139
Comprobación de la escuadra de combinación.	127	Soporte para la pieza de trabajo	142
Ensamblaje	128	Operaciones de la sierra	145
Almacenamiento de la llave Torx.	128	Utilización del freno	145
Instalación de las extensiones de la base	128	Cierre de tronzado/corona	145
		Utilización de la perilla de fijación de inglete	146

Tabla de contenido

Utilización del sistema de retenes de inglete . . .	146	Mantenimiento y lubricación	163
Sobrecontrol de los retenes de inglete.	146	Servicio de ajustes y reparaciones	163
Cortes de tronzado	147	Baterías	163
Realización de un corte de tronzado	147	Cuidado de las hojas	163
Cortes deslizantes	148	Lubricación de la herramienta	163
Cortes a inglete	149	Rodamientos	163
Cortes en bisel	151	Limpieza	163
Tope 2x@45	152	Resolución de problemas	164
Cortes compuestos	153	Guía de resolución de problemas eléctricos . . .	164
Corte de moldura de base	154	Guía de resolución de problemas generales . . .	165
Corte de moldura de corona	155	Aditamentos/accesorios	166
Cortes especiales	161		

Advertencias generales de seguridad para herramientas eléctricas

⚠ ADVERTENCIA Lea todas las advertencias de seguridad, instrucciones, ilustraciones y especificaciones suministradas con esta herramienta eléctrica. Si no se siguen todas las instrucciones que se indican a continuación, es posible que el resultado sea descargas eléctricas, incendio y/o lesiones graves.

GUARDE TODAS LAS ADVERTENCIAS E INSTRUCCIONES PARA REFERENCIA FUTURA.

La expresión “herramienta eléctrica” que se incluye en las advertencias se refiere a su herramienta eléctrica alimentada por la red eléctrica (alámbrica) o su herramienta eléctrica alimentada por baterías (inalámbrica).

1. Seguridad en el área de trabajo

a. Mantenga el área de trabajo limpia y bien iluminada.

Las áreas desordenadas u oscuras invitan a que se produzcan accidentes.

b. No utilice herramientas eléctricas en atmósferas explosivas, tales como las existentes en presencia de líquidos, gases o polvos inflamables.

Las herramientas eléctricas generan chispas, las cuales es posible que incendien los polvos o los vapores.

c. Mantenga alejados a los niños y a los curiosos mientras esté utilizando una herramienta eléctrica.

Las distracciones pueden hacerle perder el control de la herramienta.

2. Seguridad eléctrica

a. Los enchufes de las herramientas eléctricas deben coincidir con el tomacorriente.

No modifique nunca el enchufe de ninguna manera. No utilice enchufes adaptadores con herramientas eléctricas conectadas a tierra (puestas a masa). Los enchufes sin modificar y los tomacorrientes coincidentes reducirán el riesgo de descargas eléctricas.

b. Evite el contacto del cuerpo con superficies conectadas a tierra o puestas a masa, tales como tuberías, radiadores, estufas de cocina y refrigeradores.

Hay un mayor riesgo de descargas eléctricas si el cuerpo del operador está conectado a tierra o puesto a masa.

c. No exponga las herramientas eléctricas a la lluvia ni a condiciones mojadas.

La entrada de agua en una herramienta eléctrica aumentará el riesgo de descargas eléctricas.

d. No maltrate el cable.

No use nunca el cable para transportar, jalar o desenchufar la herramienta eléctrica. Mantenga el cable alejado del calor, el aceite, los bordes afilados o las piezas móviles. Los cables dañados o enredados aumentan el riesgo de descargas eléctricas.

e. Cuando utilice una herramienta eléctrica a la intemperie, utilice un cable de extensión adecuado para uso a la intemperie.

La utilización de un cable adecuado para uso a la intemperie reduce el riesgo de descargas eléctricas.

Advertencias generales de seguridad para herramientas eléctricas

- f. **Si es inevitable utilizar una herramienta eléctrica en un lugar húmedo, utilice una fuente de alimentación protegida por un interruptor de circuito accionado por corriente de pérdida a tierra (GFCI, por sus siglas en inglés).** El uso de un GFCI reduce el riesgo de descargas eléctricas.

3. Seguridad personal

- a. **Manténgase alerta, fíjese en lo que está haciendo y use el sentido común cuando utilice una herramienta eléctrica.** No utilice una herramienta eléctrica mientras esté cansado o bajo la influencia de drogas, alcohol o medicamentos. Es posible que un momento de desatención mientras se estén utilizando herramientas eléctricas cause lesiones corporales graves.
- b. **Utilice equipo de protección personal.** Use siempre protección ocular. Los equipos protectores, tales como una máscara antipolvo, calzado de seguridad antideslizante, casco o protección de la audición, utilizados según lo requieran las condiciones, reducirán las lesiones corporales.
- c. **Prevenga los arranques accidentales.** Asegúrese de que el interruptor esté en la posición de apagado antes de conectar la herramienta eléctrica a la fuente de alimentación y/o al paquete de batería, levantar la herramienta eléctrica o transportarla. Si se transportan herramientas eléctricas con el dedo en el interruptor o si se suministra corriente a herramientas eléctricas que tengan el interruptor en la posición de encendido se invita a que se produzcan accidentes.
- d. **Retire todas las llaves de ajuste o de tuerca antes de encender la herramienta eléctrica.** Es posible que una llave de tuerca o de ajuste que se deje sujeta a una pieza rotativa de la herramienta eléctrica cause lesiones corporales.
- e. **No intente alcanzar demasiado lejos.** Mantenga un apoyo de los pies y un equilibrio adecuados en todo momento. Esto permite un mejor control de la herramienta eléctrica en situaciones inesperadas.
- f. **Vístase adecuadamente.** No se ponga ropa holgada ni joyas. Mantenga el pelo y la ropa alejados de las piezas móviles. La ropa holgada, las joyas o el pelo largo pueden quedar atrapados en las piezas móviles.
- g. **Si se proporcionan dispositivos para la conexión de instalaciones de extracción y recolección de polvo, asegúrese de que estas estén conectadas y se utilicen correctamente.** El uso de recolección de polvo puede reducir los peligros relacionados con el polvo.
- h. **No deje que la familiaridad obtenida con el uso frecuente de las herramientas le haga volverse**

complaciente e ignorar los principios de seguridad de las herramientas. Una acción descuidada puede causar lesiones graves en una fracción de segundo.

4. Uso y cuidado de la herramienta eléctrica

- a. **No fuerce la herramienta eléctrica.** Utilice la herramienta eléctrica correcta para la aplicación que vaya a realizar. La herramienta eléctrica correcta hará el trabajo mejor y con más seguridad a la capacidad nominal para la que fue diseñada.
- b. **No utilice la herramienta eléctrica si el interruptor no la enciende y apaga.** Cualquier herramienta eléctrica que no se pueda controlar con el interruptor es peligrosa y debe ser reparada.
- c. **Desconecte el enchufe de la fuente de alimentación y/o retire el paquete de batería de la herramienta eléctrica, si es retirable, antes de hacer cualquier ajuste, cambiar accesorios o almacenar herramientas eléctricas.** Dichas medidas preventivas de seguridad reducen el riesgo de arrancar accidentalmente la herramienta eléctrica.
- d. **Guarde las herramientas eléctricas que no esté usando fuera del alcance de los niños y no deje que las personas que no estén familiarizadas con la herramienta eléctrica o estas instrucciones utilicen la herramienta eléctrica.** Las herramientas eléctricas son peligrosas en las manos de los usuarios no capacitados.
- e. **Realice mantenimiento de las herramientas eléctricas y los accesorios.** Compruebe si hay desalineación o atoramiento de las piezas móviles, rotura de piezas y cualquier otra situación que pueda afectar al funcionamiento de la herramienta eléctrica. Si la herramienta eléctrica está dañada, haga que la reparen antes de utilizarla. Muchos accidentes son causados por herramientas eléctricas que reciben un mantenimiento deficiente.
- f. **Mantenga las herramientas de corte afiladas y limpias.** Las herramientas de corte mantenidas adecuadamente, con bordes de corte afilados, tienen menos probabilidades de atorarse y son más fáciles de controlar.
- g. **Utilice la herramienta eléctrica, los accesorios y las brocas de la herramienta, etc.,** de acuerdo con estas instrucciones, teniendo en cuenta las condiciones de trabajo y el trabajo que se vaya a realizar. El uso de la herramienta eléctrica para operaciones distintas a las previstas podría causar una situación peligrosa.
- h. **Mantenga los mangos y las superficies de agarre secos, limpios y libres de aceite y grasa.** Los mangos resbalosos y las superficies de agarre resbalosas no per-

Advertencias generales de seguridad para herramientas eléctricas

miten un manejo y un control seguros de la herramienta en situaciones inesperadas.

5. Uso y cuidado de las herramientas a batería

- a. **Recargue el paquete de batería solo con el cargador especificado por el fabricante.** Es posible que un cargador que sea adecuado para un tipo de paquete de batería cree un riesgo de incendio cuando se utilice con otro paquete de batería.
- b. **Utilice las herramientas eléctricas solo con paquetes de batería designados específicamente.** Es posible que el uso de cualquier otro paquete de batería cree un riesgo de lesiones e incendio.
- c. **Cuando el paquete de batería no se esté utilizando, manténgalo alejado de otros objetos metálicos, tales como clips sujetapapeles, monedas, llaves, clavos, tornillos u otros objetos metálicos pequeños, que puedan hacer una conexión de un terminal al otro.** Si se cortocircuitan juntos los terminales de la batería, es posible que se causen quemaduras o un incendio.
- d. **En condiciones abusivas es posible que se expulse líquido de la batería; evite el contacto.** Si se produce contacto accidentalmente, enjuáguese con agua. Si el líquido entra en contacto con los ojos, obtenga además ayuda médica. Es posible que el líquido expulsado de la batería cause irritación o quemaduras.
- e. **No utilice un paquete de batería o una herramienta que estén dañados o modificados.** Es posible que las

baterías dañadas o modificadas exhiban un comportamiento imprevisible que cause incendio, explosión o riesgo de lesiones.

- f. **No exponga un paquete de batería o una herramienta a un fuego o a una temperatura excesiva.** Es posible que la exposición a un fuego o a una temperatura superior a 265 °F cause una explosión.
- g. **Siga todas las instrucciones de carga y no cargue el paquete de batería ni la herramienta fuera del intervalo de temperatura especificado en las instrucciones.** Es posible que la realización de la carga de manera inadecuada o a temperaturas que estén fuera del intervalo especificado dañe la batería y aumente el riesgo de incendio.

6. Servicio de ajustes y reparaciones

- a. **Haga que su herramienta eléctrica reciba servicio de ajustes y reparaciones por un técnico de reparaciones calificado que utilice únicamente piezas de repuesto idénticas.** Esto garantizará que se mantenga la seguridad de la herramienta eléctrica.
- b. **No haga nunca servicio de ajustes y reparaciones de paquetes de batería dañados.** El servicio de ajustes y reparaciones de los paquetes de batería deberá ser realizado solo por el fabricante o por proveedores de servicio autorizados.

Instrucciones de seguridad para sierras ingletadoras

- a. **Las sierras ingletadoras están diseñadas para cortar madera o productos parecidos a la madera, y no se pueden usar con discos de corte abrasivo para cortar materiales ferrosos tales como barras, varillas, espigas, etc.** El polvo abrasivo hace que las piezas móviles, tales como el protector inferior, se atoren. Las chispas generadas por el corte abrasivo quemarán el protector inferior, el inserto de sección de corte y otras piezas de plástico.
- b. **Utilice abrazaderas para soportar la pieza de trabajo siempre que sea posible.** Si soporta la pieza de trabajo con la mano, debe mantener siempre la mano al menos a 100 mm (4 pulgadas) de cualquiera de los dos lados de la hoja de sierra. No utilice esta sierra para cortar piezas que sean demasiado pequeñas para fijarlas con abrazaderas o sujetarlas con la mano. Si se pone la mano demasiado cerca de la hoja de sierra, existe un mayor riesgo de lesiones por causa de contacto con la hoja.
- c. **La pieza de trabajo debe estar estacionaria y fijada con abrazaderas o sujeta tanto contra el tope-guía como contra la mesa.** No haga avanzar la pieza de trabajo hacia la hoja ni corte "a pulso" de ninguna manera. Las piezas de trabajo que no tengan restricciones o que se muevan podrían ser lanzadas al aire a altas velocidades y causar lesiones.
- d. **Empuje la sierra a través de la pieza de trabajo.** No jale la sierra a través de la pieza de trabajo. Para hacer un corte, suba el cabezal de la sierra y jálalo hacia fuera sobre la pieza de trabajo sin cortarla, arranque el motor, presione el cabezal hacia abajo y empuje la sierra a través de la pieza de trabajo. Es probable que el corte en la carrera de tracción haga que la hoja de sierra trepe y se salga de la pieza de trabajo, y que al hacerlo lance violentamente el ensamblaje de la hoja hacia el operador.

Instrucciones de seguridad para sierras ingletadoras

- e. **No cruce nunca la mano por encima de la línea de corte prevista ni delante ni detrás de la hoja de sierra.** Es muy peligroso soportar la pieza de trabajo "con la mano cruzada", es decir, sujetando la pieza de trabajo a la derecha de la hoja con la mano izquierda o viceversa.
- f. **No ponga las manos detrás del tope-guía con cualquiera de ellas a menos de 100 mm (4 pulgadas) de cualquiera de los dos lados de la hoja de sierra, para retirar desechos de madera ni por ningún otro motivo mientras la hoja esté girando.** Puede que la proximidad de la mano a la hoja de sierra que gira no sea obvia y es posible que usted resulte lesionado gravemente.
- g. **Inspeccione la pieza de trabajo antes de cortarla.** Si la pieza de trabajo está arqueada o combada, fíjela con abrazaderas con la cara arqueada exterior orientada hacia el tope-guía. Asegúrese siempre de que no haya espacio libre entre la pieza de trabajo, el tope-guía y la mesa a lo largo de la línea de corte. Las piezas de trabajo curvadas o arqueadas pueden torcerse o moverse y es posible que causen atoramiento en la hoja de sierra que gira mientras se realiza el corte. No deberá haber clavos ni objetos extraños en la pieza de trabajo
- h. **No utilice la sierra hasta que se hayan retirado de la mesa todas las herramientas, desechos de madera, etc.,** excepto la pieza de trabajo. Los residuos pequeños o los pedazos de madera sueltos u otros objetos que entren en contacto con la hoja cuando esté girando pueden ser lanzados al aire a alta velocidad.
- i. **Corte únicamente una pieza de trabajo por vez.** No se pueden fijar con abrazaderas ni sujetar de modo adecuado múltiples piezas de trabajo apiladas y es posible que dichas piezas se atoren en la hoja o se desplacen durante el corte.
- j. **Asegúrese de que la sierra ingletadora esté montada o colocada sobre una superficie de trabajo nivelada y firme antes de utilizarla.** Una superficie de trabajo nivelada y firme reduce el riesgo de que la sierra ingletadora se vuelva inestable.
- k. **Planifique el trabajo que vaya a hacer.** Cada vez que cambie el ajuste del ángulo de bisel o de inglete, asegúrese de que el tope-guía ajustable esté ajustado correctamente para soportar la pieza de trabajo y que no interfiera con la hoja ni con el sistema de protección. Sin ENCENDER la herramienta y sin pieza de trabajo en la mesa, mueva la hoja de sierra a través de un corte simulado completo para asegurarse de que no habrá interferencia ni peligro de cortar el tope-guía.
- l. **Proporcione accesorios de soporte adecuados, tales como extensiones de mesa, caballetes de aserrar, etc.,** para una pieza de trabajo que sea más ancha o más larga que el tablero de la mesa. Las piezas de trabajo más largas o más anchas que la mesa de la sierra ingletadora se pueden inclinar si no se soportan adecuadamente. Si la pieza cortada o la pieza de trabajo se inclinan, pueden hacer que el protector inferior suba o pueden ser lanzadas al aire por acción de la hoja que gira.
- m. **No use a otra persona como sustituto de una extensión de la mesa ni como soporte adicional.** Un soporte inestable de la pieza de trabajo puede hacer que la hoja se atore o que la pieza de trabajo se desplace durante la operación de corte, jalándolos a usted y al ayudante hacia la hoja que gira.
- n. **La pieza cortada no debe estar atorada ni presionada por ningún medio contra la hoja de sierra mientras esté girando.** Si se confina dicha pieza, es decir, si se usan topes de longitud, podría quedar atrapada en cuña contra la hoja y ser lanzada al aire violentamente.
- o. **Use siempre una abrazadera o un dispositivo de sujeción diseñado para soportar adecuadamente material redondo tal como varillas o tubos.** Las varillas tienen tendencia a rodar mientras son cortadas, haciendo que la hoja "se clave" en la pieza de trabajo y la jale, junto con la mano del operador, hacia la hoja.
- p. **Deje que la hoja alcance su velocidad máxima antes de entrar en contacto con la pieza de trabajo.** Esto reducirá el riesgo de que la pieza de trabajo sea lanzada al aire.
- q. **Si la pieza de trabajo o la hoja se atorán, apague la sierra ingletadora.** Espere a que todas las piezas móviles se detengan y desconecte el enchufe de la fuente de alimentación y/o retire el paquete de batería. Luego, trabaje para liberar el material atorado. Un aserrado continuo con una pieza de trabajo atorada podría causar pérdida de control o daños a la sierra ingletadora.
- r. **Después de terminar el corte, suelte el interruptor, sujete el cabezal de la sierra hacia abajo y espere a que la hoja se detenga antes de retirar la pieza cortada.** Es peligroso poner la mano cerca de la hoja cuando esté girando por inercia mientras desacelera.
- s. **Agarre firmemente el mango cuando haga un corte incompleto o cuando suelte el interruptor antes de que el cabezal de la sierra esté en la posición completamente hacia abajo.** Es posible que la acción de frenado de la sierra haga que el cabezal de la sierra sea jalado repentinamente hacia abajo, lo cual causará un riesgo de lesiones.
- t. **Evite sobrecalentar las puntas de la hoja de sierra.**

Normas de seguridad adicionales

Los dispositivos con GFCI y de protección personal, tales como guantes y calzado de caucho de electricista, mejorarán adicionalmente su seguridad personal.

No utilice herramientas especificadas solamente para CA con una fuente de alimentación de CC. Aunque parezca que la herramienta funciona, es probable que los componentes eléctricos de la herramienta especificada para CA fallen y creen un peligro para el operador.

Mantenga los mangos secos, limpios y libres de aceite y grasa. Las manos resbalosas no pueden controlar la herramienta eléctrica de manera segura.

Desarrolle un programa de mantenimiento periódico para su herramienta. Cuando limpie una herramienta, tenga cuidado de no desarmar ninguna parte de la misma, ya que es posible que los cables internos queden descolocados o resulten aplastados, o que los resortes de retorno de los protectores seguridad se monten incorrectamente. Es posible que ciertos agentes de limpieza, tales como gasolina, tetracloruro de carbono, amoníaco, etc., dañen las piezas de plástico.

ADVERTENCIA Cierto polvo generado por las operaciones de lijado, aserrado, amolado y taladrado con herramientas eléctricas, así como por otras actividades de construcción, contiene sustancias químicas que se sabe que causan cáncer, defectos de nacimiento u otros daños sobre la reproducción. Algunos ejemplos de estas sustancias químicas son:

- Plomo procedente de pinturas a base de plomo,
- Sílice cristalina procedente de ladrillos y cemento y otros productos de mampostería, y
- Arsénico y cromo procedentes de madera de construcción tratada químicamente.

El riesgo para usted por causa de estas exposiciones varía, dependiendo de qué tan a menudo realice este tipo de trabajo. Para reducir su exposición a estas sustancias químicas: trabaje en un área bien ventilada y trabaje con equipo de seguridad aprobado, tal como máscaras antipolvo que estén diseñadas especialmente para impedir mediante filtración el paso de partículas microscópicas.

ADVERTENCIA No utilice la sierra ingletadora Bosch GCM18V-12SD para cortar panel de fibrocemento. Es posible que el corte de materiales que contengan sílice cristalina cree exposiciones a polvo de sílice respirable.

ADVERTENCIA Antes de cada uso, lea todas las advertencias que se encuentran en la sierra ingletadora.






ADVERTENCIA La utilización de cualquier herramienta eléctrica puede tener como resultado que se arrojen objetos extraños hacia los ojos del operador, lo cual puede causar lesiones oculares graves. Use siempre anteojos de seguridad que cumplan con la norma ANSI Z87.1 (mostrados en el paquete) antes de comenzar a utilizar la herramienta eléctrica.

ADVERTENCIA No utilice esta sierra ingletadora sin tener instaladas correctamente las extensiones de la base. Es posible que la falta de soporte adecuado de la pieza de trabajo cause lesiones corporales.

	 <p>Do not carry the saw by this handle. Ne portez pas la scie par cette poignée. No transporte la sierra por este mango.</p>
<p>ZONAS DE PELIGRO DESIGNADAS</p>	<p>ÁREA DESIGNADA COMO NO APTA PARA EL TRANSPORTE</p>
<p>Evite posicionar las manos, los dedos o los brazos en estas zonas</p>	<p>Una zona de peligro: No levante ni transporte nunca la sierra por el asa principal donde está el interruptor.</p>









Símbolos

Importante: Es posible que se utilicen algunos de los siguientes símbolos en esta herramienta. Por favor, estúdielos y aprenda su significado. La interpretación correcta de estos símbolos le permitirá utilizar la herramienta mejor y de manera más segura.

Símbolo	Designación / explicación
V	Voltios (tensión)
A	Amperios (corriente)
Hz	Hercios (frecuencia, ciclos por segundo)
W	Vatios (potencia)
kg	Kilogramos (peso)
min	Minutos (tiempo)
s	Segundos (tiempo)
CFM	Pies cúbicos por minuto [o pies ³ /min] (caudal de aire)
∅	Diámetro (tamaño de las brocas taladradoras, los discos de amolar, etc.)
n ₀	Velocidad sin carga (velocidad rotacional sin carga)
n	Velocidad nominal (velocidad máxima obtenible)
.../min	Revoluciones o reciprocaciones por minuto (revoluciones, carreras, velocidad superficial, órbitas, etc., por minuto)
0	Posición de apagado (velocidad cero, fuerza de torsión cero...)
1, 2, 3, ... I, II, III,	Ajustes del selector (ajustes de velocidad, fuerza de torsión o posición. Un número más alto significa mayor velocidad)
	Selector infinitamente variable con apagado (la velocidad aumenta desde el ajuste 0)
	Flecha (acción en el sentido de la flecha)
~	Corriente alterna (tipo o característica de corriente)
≡	Corriente continua (tipo o una característica de corriente)
	Corriente alterna o continua (tipo o una característica de corriente)
	Construcción de Clase II (designa a herramientas de construcción con aislamiento doble)
	Terminal de puesta a tierra (terminal de conexión a tierra)

Símbolos

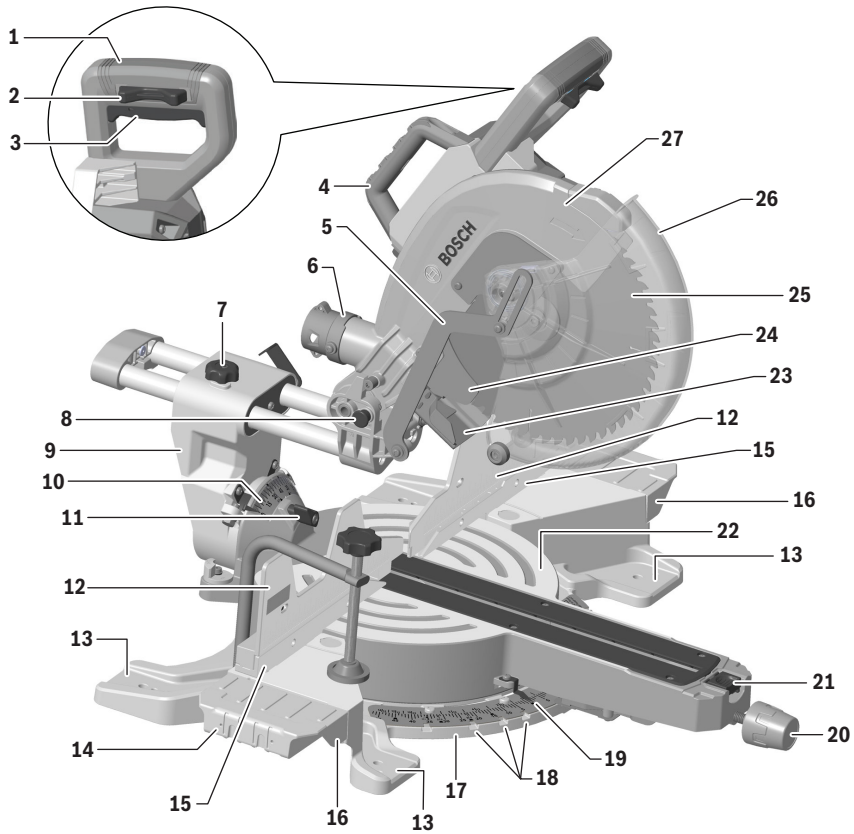
Importante: Es posible que se utilicen algunos de los siguientes símbolos en esta herramienta. Por favor, estúdielos y aprenda su significado. La interpretación correcta de estos símbolos le permitirá utilizar la herramienta mejor y de manera más segura.

Symbole	Désignation / Explication
	Designa un programa de reciclaje de baterías de ion Li
	Alerta al usuario para que lea el manual
	Alerta al usuario para que use protección ocular
	Este símbolo indica que esta herramienta está homologada por Underwriters Laboratories.
	Este símbolo indica que esta herramienta está homologada por Underwriters Laboratories, conforme a las normas estadounidenses y canadienses.
	Este símbolo indica que esta herramienta está homologada por la Canadian Standards Association.
	Este símbolo indica que esta herramienta está homologada por la Canadian Standards Association, conforme a las normas estadounidenses y canadienses.
	Este símbolo indica que esta herramienta está homologada por Intertek Testing Services, conforme a las normas estadounidenses y canadienses.

Familiarización con su sierra ingletadora

Sierra ingletadora inalámbrica GCM18V-12SD

Fig. 1

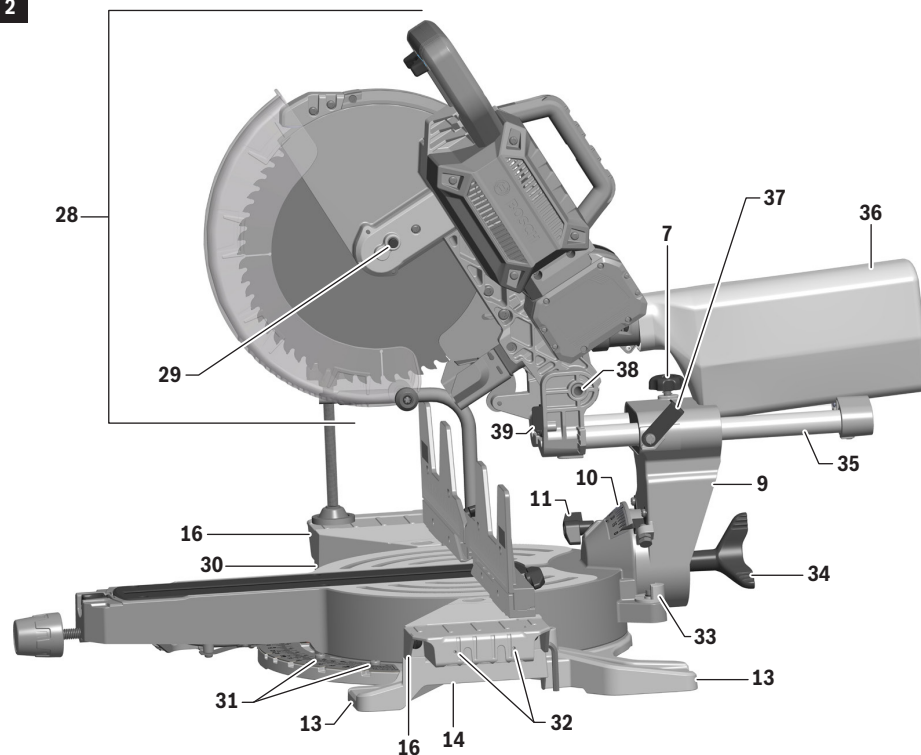


Familiarización con su sierra ingletadora

- 1** El asa principal se utiliza para subir y bajar **el ensamblaje el cabezal** y contiene el interruptor de alimentación. Jale el mango hacia abajo para bajar la hoja hasta la pieza de trabajo.
- 2** **Botones de liberación de la fijación en APAGADO del interruptor** dos botones, uno de los cuales se debe presionar antes de que se pueda presionar el interruptor de alimentación.
- 3** **El interruptor de alimentación** se utiliza con el botón de "Fijación en APAGADO" para apagar y encender la sierra.
- 4** **El asa de transporte principal** se utiliza para transportar la sierra.
- 5** **El eslabón del protector inferior** permite un movimiento suave de dicho protector.
- 6** **El conducto de extracción de polvo** dirige el aserrín hacia arriba, hacia el interior de la bolsa colectora de polvo o la manguera de la aspiradora.
- 7** **La perilla de fijación del riel deslizante**, cuando se aprieta, fija el sistema deslizante en la posición correcta. Apriete girando la perilla en el sentido de las agujas del reloj (hacia la derecha) y afloje girando en sentido contrario al de las agujas del reloj (hacia la izquierda).
- 8** **El pasador de fijación del ensamblaje del cabezal** se utiliza para fijar el ensamblaje del cabezal en la posición inferior.
- 9** **El poste de bisel** proporciona soporte de rotación para todas las piezas de la sierra ingletadora por encima de la mesa.
- 10** **La escala de biseles y los indicadores** indican el ángulo de bisel actual. La escala angulada grande facilita la lectura de los ángulos de bisel.
- 11** **La perilla selectora del intervalo de bisel** se utiliza para seleccionar el intervalo de bisel izquierdo: 0° a 47° a la izquierda o 0° a 47° a la derecha.
- 12** **Los topes-guía deslizantes** soportan la pieza de trabajo. Los topes-guía tienen una escala fundida para facilitar la realización de cortes repetitivos y tienen agujeros para fijar un tope-guía auxiliar en caso de que sea necesario.
- 13** **Las almohadillas de montaje de la herramienta** ubicadas en las cuatro esquinas de la sierra proporcionan áreas para fijar con abrazaderas, empinar o clavar la sierra a una superficie de trabajo plana.
- 14** **Los mangos de transporte fundidos** se utilizan para levantar y transportar la sierra.
- 15** **El tope-guía estacionario** está empernado a la base y soporta la pieza de trabajo cuando se retira el tope-guía deslizante.
- 16** **Las extensiones de la base** proporcionan soporte adicional para la sierra, lo cual puede ser útil cuando se corten piezas de trabajo largas.
- 17** **La placa de retenes de inglete** se puede ajustar para graduar la precisión de sus ubicaciones de los retenes.
- 18** **Los retenes de inglete** son diez ranuras que permite realizar cortes a inglete rápidos y precisos a ángulos de inglete comunes.
- 19** **La escala de ingletes y el indicador** le permiten a usted ver el ajuste del ángulo antes de hacer un corte. El indicador rota con la mesa y la hoja y apunta hacia el ángulo de la escala de ingletes.
- 20** **La perilla de fijación de inglete** fija la mesa de la sierra ingletadora en cualquier ángulo de inglete deseado.
- 21** **El botón de sobrecontrol de los retenes de inglete** fija la acción de retén, lo cual permite realizar microajustes a cualquier ángulo de inglete.
- 22** **La mesa** proporciona soporte para la pieza de trabajo, rota para realizar los cortes a inglete deseados y rota el ensamblaje del cabezal. La parte delantera extendida de la mesa se conoce como brazo ingletador.
- 23** **El deflector de caucho** se instala en la parte inferior del conducto de extracción de polvo y desvía el polvo hacia dicho conducto.
- 24** **El deflector de virutas** impide que las piezas de trabajo cortadas entren en el protector superior.
- 25** **La hoja** es el componente que hace los cortes en la pieza de trabajo. Utilice solo hojas con un diámetro de 12 pulgadas (305 mm) que tengan agujeros para el eje portaherramienta de 1 pulgada (25,4 mm) de diámetro.
- 26** **El protector inferior de la hoja/reborde del protector inferior** ayuda a proteger las manos del operador contra la hoja que gira. Se retrae a medida que la hoja se baja. Si el protector se atora en una pieza de trabajo, el reborde se puede utilizar para subir el protector inferior.
- 27** **El protector superior** cubre la parte superior de la hoja.

Familiarización con su sierra ingletadora

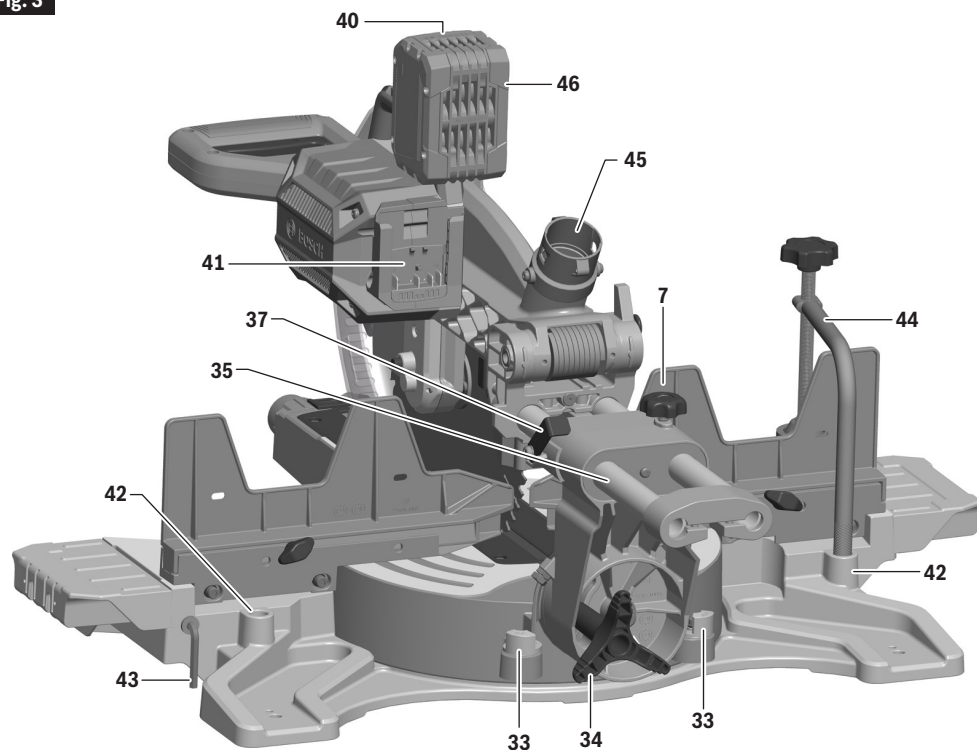
Fig. 2



- 28 El ensamblaje del cabezal** es la parte de la sierra que incluye la hoja, los protectores, el motor, el mango principal y el sistema de recolección de polvo.
- 29 El cierre del eje portaherramienta**, cuando se presiona, evita que la hoja rote. Se utiliza durante la remoción o instalación de la hoja, cuando se afloja o se aprieta el perno del eje portaherramienta.
- 30 La base** proporciona la superficie de trabajo que soporta la pieza de trabajo.
- 31 Tornillos de la placa de retenes de inglete**, cuatro, accesibles a través de los agujeros ubicados en la escala de ingletes, se aflojan para permitir ajustar la posición de la placa de retenes.
- 32 Agujeros de montaje para el tope de corona opcional**
- 33 Los indicadores de tope de bisel** (a la izquierda y a la derecha) le permiten a usted seleccionar los ángulos de bisel más comunes: 33,9°, 45° o 47°.
- 34 Perilla de fijación de bisel** fija el ensamblaje del cabezal en el ángulo de bisel deseado. El sistema deslizante
- permite que el ensamblaje del cabezal se deslice suavemente hacia dentro y hacia fuera. Se puede bloquear completamente hacia atrás o en la posición completamente extendida.
- 35 El sistema deslizante** permite que el ensamblaje del cabezal se deslice suavemente hacia dentro y hacia fuera. Se puede bloquear completamente hacia atrás o en la posición completamente extendida.
- 36 La bolsa colectora de polvo** recolecta el polvo generado por las operaciones de aserrado. Para vaciarla, desacópela del puerto de extracción de polvo y abra la cremallera ubicada en la parte inferior.
- 37 El cierre de tronzo/corona** fija el ensamblaje del cabezal en la posición correcta para realizar cortes verticales y cortes de corona.
- 38 El poste pivote** proporciona soporte para el ensamblaje del cabezal y es el punto de pivote del mismo.
- 39 El tope 2x@45** proporciona un tope para el ensamblaje del cabezal con el fin de realizar cortes en bisel a 45 grados a la derecha en material de 2x.

Familiarización con su sierra ingletadora


Fig. 3



- 40 El botón de liberación del paquete de batería** libera dicho paquete para que se pueda sacar de la bahía de la batería.
- 41 La bahía de la batería** es donde se inserta un paquete de batería Bosch o AMPShare (vendido por separado).
- 42 Las ubicaciones de los postes de abrazadera** son dos agujeros para postes verticales situados en la base suministrada para soportar la abrazadera.
- 43 La llave Torx** se necesita para cambiar la hoja y para instalar las extensiones de la base.
- 44 La abrazadera** se utiliza para sujetar la pieza de trabajo a la mesa y la base. La abrazadera se inserta en una de las ubicaciones de poste de abrazadera.
- 45 El puerto de extracción de polvo** es la parte que proporciona la conexión a la bolsa colectora de polvo la manguera de aspiración.
- 46 Paquete de batería** (vendido por separado)

Especificaciones

Sierra ingletadora inalámbrica GCM18V-12SD

Tensión:	18 V 
Temperatura ambiente permitida: – durante el proceso de carga – durante la utilización – durante el almacenamiento	32...113 °F (0...+45 °C) -4...122 °F (-20...+50 °C) 32...122 °F (0...+50 °C)

Paquetes de batería/cargadores

Sírvase consultar la lista de baterías/cargadores, incluida con su herramienta.

Uso previsto

⚠ ADVERTENCIA Utilice esta sierra ingletadora solo según lo previsto. Es posible que el uso desatendido cause lesiones corporales y daños materiales.

⚠ ADVERTENCIA Este producto está diseñado para cortar madera, productos parecidos a la madera y metales no ferrosos. Es posible que la acumulación de polvo alrededor del protector inferior y el núcleo procedente de otros materiales (mampostería o metal ferroso) deshabilite el funcionamiento del protector inferior.

Corte de mampostería/metal

⚠ ADVERTENCIA No corte metal ferroso o mampostería con esta sierra circular. El polvo generado por el corte de metal ferroso o mampostería hará que el protector inferior funcione con dificultad y es posible que no se cierre de manera completa y rápida después de cortar estos materiales.

⚠ ADVERTENCIA No utilice discos abrasivos. Esta herramienta no está diseñada para utilizarse con discos de corte para metal o mampostería.

⚠ ADVERTENCIA No utilice un disco de corte de diamante en húmedo ni dispositivos de alimentación de agua con esta sierra circular. Los residuos de los cortes de mampostería entrarán al sistema del protector inferior, se endurecerán y harán que el protector se vuelva inoperativo. El uso de agua en aplicaciones de corte de mampostería con una sierra circular eléctrica causará peligros de descargas eléctricas.

Esta herramienta no está diseñada para utilizarse con discos de corte para metal o mampostería.

Capacidades de corte

Molduras clave / posicionamiento	Tamaño máximo
Moldura de base contra el tope-guía	6-3/4 pulgadas (172 mm)
Moldura de corona de 38° angulada contra el tope-guía*	6-3/4 pulgadas (172 mm)
Moldura de corona de 45° angulada contra el tope-guía*	7-1/2 pulgadas (191 mm)
Moldura de corona plana sobre la mesa	14 pulgadas (356 mm)
* Dentro de un intervalo de inglete de 0° a 47° a la izquierda	
Inglete / bisel	Altura máximas
0°/ 0°	3-1/2 pulgadas (89 mm)
45°/ 0°	3-1/2 pulgadas (89 mm)
0°/ 45° (izquierda)	2 pulgadas (51 mm) x 14
0°/ 45° (derecha)	1-1/2 pulgadas (38 mm)
Inglete / bisel	Anchura máximas
0°/ 0°	14 pulgadas (356 mm)
45°/ 0°	10 pulgadas (254 mm)
0°/ 45° (izquierda)	14 pulgadas (356 mm)

Desempaquetado y comprobación del contenido

Desempaquetado de la sierra ingletadora

⚠ ADVERTENCIA Para evitar pellizcamientos severos, no levante ni mueva nunca esta sierra agarrando cualquier componente del sistema de soporte del mecanismo.

Cuando saque esta herramienta de los materiales de empaquetamiento, meta las manos hasta las ubicaciones de los dos mangos de transporte laterales y levante la herramienta lentamente hasta que salga del paquete.

Comprobación del contenido del paquete

Abra la parte superior del paquete y busque las piezas sueltas incluidas (Fig. 4).

Algunas piezas pequeñas, tales como la palanca de fijación de bisel y la perilla de fijación de inglete, requieren instalación en la herramienta antes de que la misma esté lista para utilizarse.

Fig. 4

Piezas sueltas

Ponga una marca para cada pieza.

Llave Torx (43)



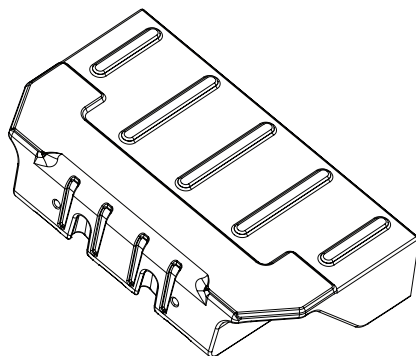
Abrazadera para la pieza de trabajo (44)



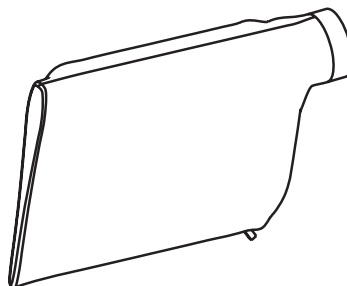
Manual



2 Extensiones de la base (16)



Bolsa colector de polvo (36)



4 tornillos Torx para las extensiones de la base



Herramientas necesarias para el ensamblaje

Verificación de las piezas

Compruebe que tiene las herramientas necesarias para realizar el ensamblaje de la sierra, de la manera que se muestra en la Fig. 5.

Comprobación de la escuadra de combinación

Compruebe que la escuadra de combinación está alineada.

1. Posicione la escuadra y trace una línea ligera de la manera que se muestra en la Fig. 6.
2. Voltee la escuadra de la manera que se muestra en la Fig. 6.
3. Compruebe el borde de la escuadra volteada contra la línea trazada y asegúrese de que no haya espacio libre ni superposición en el extremo inferior de la manera que se muestra en la Fig. 6.

Fig. 5

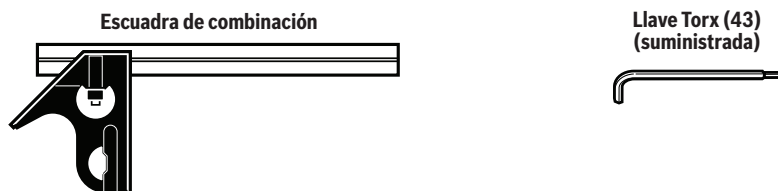
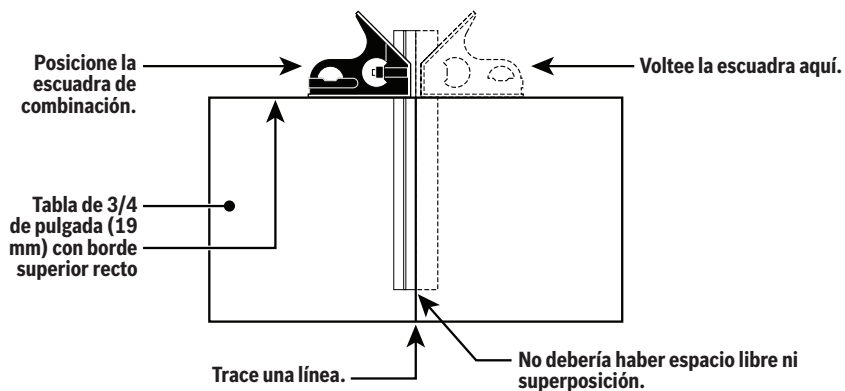


Fig. 6



Ensamblaje

⚠ ADVERTENCIA

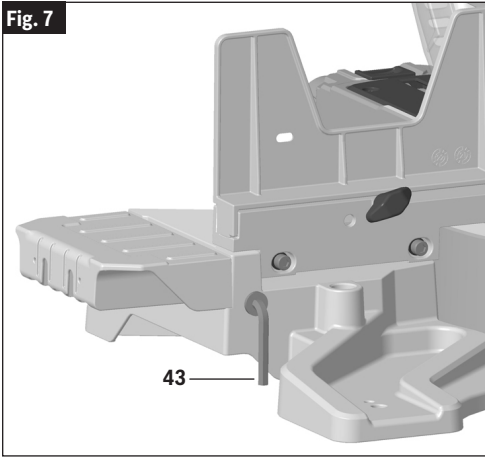
Para evitar posibles lesiones, desconecte el paquete de batería antes de realizar cualquier ensamblaje, ajuste o reparación.

Almacenamiento de la llave Torx

Hay una ubicación de almacenamiento en la sierra para almacenar la llave Torx. Inserte la pata corta de la llave Torx a través del aro de refuerzo de caucho de la manera que se muestra en la ilustración. Coloque la pata larga dentro del apoyo de la herramienta y presione hacia abajo, hacia el interior del clip retenedor (Fig. 7, 43).

NOTA: La llave Torx se necesita para cambiar la hoja y para instalar las extensiones laterales. Si se pierde, utilice una llave Torx 30 o una ** llave.

Fig. 7

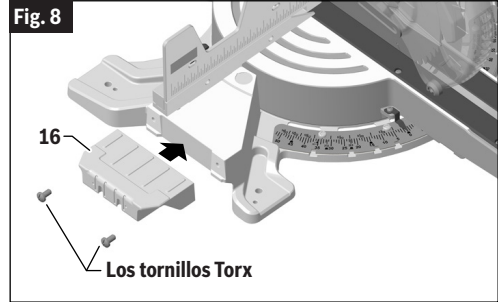


Instalación de las extensiones de la base

Instale cada extensión en el lado izquierdo y el lado derecho de la base:

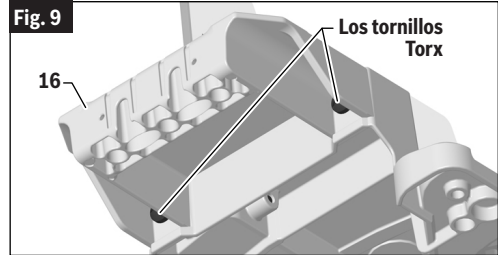
1. Coloque la extensión de la base (Fig. 8, 16) al ras contra la base.

Fig. 8



2. Utilizando la llave Torx (Fig. 7, 43) y los tornillos Torx suministrados (Fig. 8 y Fig. 9), fije la extensión de la base

Fig. 9



(16) a la base.

3. Utilizando la llave Torx (Fig. 7, 43), apriete ambos tornillos Torx hasta que la extensión de la base esté completamente asentada contra la base. Luego, apriete ambos tornillos Torx otro 1/8 de vuelta.

NOTA: Para evitar apretar excesivamente y dañar las roscas de los tornillos Torx, apriete a mano los tornillos Torx con la llave Torx. No utilice un atornillador eléctrico ni una llave de impacto en los tornillos Torx.

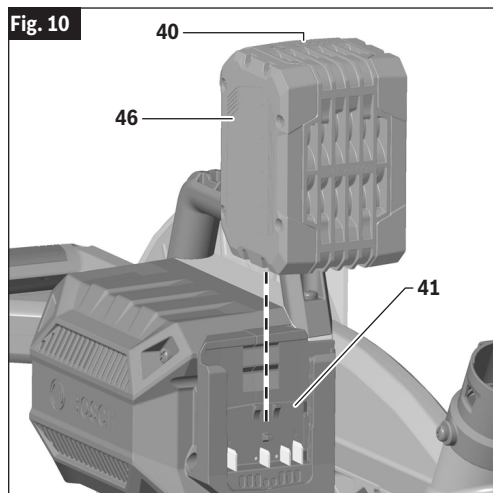
Ensamblaje

Inserción y liberación del paquete de batería

Deslice el paquete de batería cargado (Fig. 10, **46**) hacia el interior de la bahía de la batería (**41**) hasta que el paquete de batería quede fijo en la posición correcta.

La herramienta está equipada con un pestillo de fijación secundario para impedir que el paquete de batería se caiga completamente de la bahía de la batería, en caso de que se afloje debido a la vibración.

Para retirar el paquete de batería, presione el botón de liberación del paquete de batería (**40**) y deslice el paquete de batería completamente hacia fuera de la bahía de la batería.

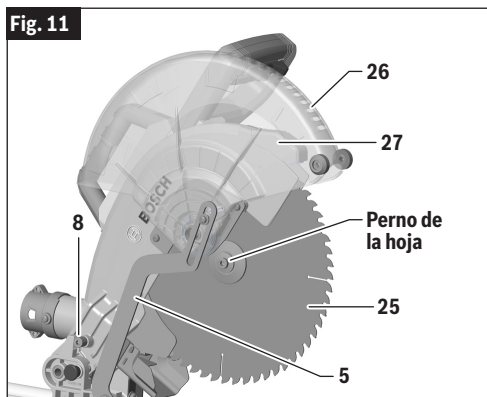


Remoción e instalación de las hojas

Use siempre guantes cuando cambie o maneje las hojas. Las puntas de las hojas pueden causar lesiones corporales.

Remoción de la hoja

1. Coloque la sierra en posición hacia ARRIBA y a un bisel de 0°. Si está en la posición hacia ABAJO: mientras presiona ligeramente hacia abajo sobre el ensamblaje del cabezal de la sierra, jale hacia fuera el pasador de fijación del ensamblaje del cabezal (Fig. 11, **8**). Luego, deje lentamente que el ensamblaje del cabezal de la sierra suba.



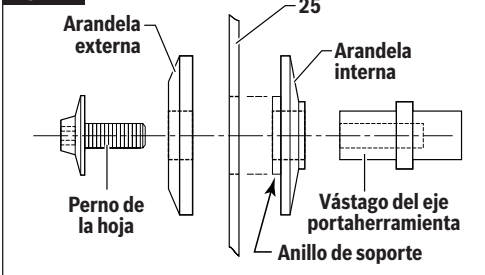
2. Rote el protector inferior de la hoja (**26**) hasta que haya acceso claro al perno de la hoja.
3. Presione y mantenga presionado el cierre del eje porta-herramienta (el botón rojo ubicado en el lado opuesto del protector superior (**27**)). Rote lentamente la hoja (**25**) mientras presiona el cierre del eje portaherramienta hasta que se asiente completamente en su posición de bloqueo.
4. Utilizando la llave Torx Fig. 7, **43**), afloje el perno de la hoja girándolo firmemente en el sentido de las agujas del reloj.

NOTA: Este perno tiene roscas a izquierdas.

5. Retire el perno de la hoja y la arandela externa. Agarre cuidadosamente la hoja. Deslice la hoja (Fig. 12, **25**) alejándola de la arandela interna y separándola del vástago del eje portaherramienta, y luego hacia abajo alejándola de la sierra. Deje la arandela interna en el vástago del eje portaherramienta.

Ensamblaje

Fig. 12



Instalación de la hoja de 12 pulgadas (305 mm)

⚠ ADVERTENCIA Para evitar lesiones, no utilice una hoja de diámetro superior o inferior a 12 pulgadas de diámetro y que sea para un eje portaherramienta de más o menos de 1 pulgada (25,4 mm). El grosor máximo de la placa de la hoja es de 0,100 pulgadas (2,54 mm). El grosor máximo de la sección de corte de la hoja es de 1/8 de pulgada (3,175 mm).

⚠ ADVERTENCIA Para reducir el riesgo de lesiones, utilice una hoja de sierra con una capacidad nominal de 5000/min (RPM) o mayor.

⚠ ADVERTENCIA Después de instalar una hoja nueva, asegúrese de que la hoja no interfiera con el inserto de la mesa en las posiciones de bisel a 0° y 45°. Baje la hoja hacia el interior de la ranura para la hoja y compruebe si hay algún contacto con la base o la estructura de la mesa giratoria. Si la hoja entra en contacto con la base o la mesa, obtenga servicio autorizado.

1. Si hay una hoja instalada actualmente, retírela de la manera que se describe en "Remoción de la hoja" en la página 129.
2. Maneje cuidadosamente la hoja nueva. Compruebe que la flecha de rotación ubicada en la hoja coincida con la flecha de rotación ubicada en el protector superior. Deslice la hoja hacia arriba, entre los lados del deflector de virutas y sobre el vástago del eje portaherramienta. Mueva la hoja de manera que su agujero para el eje portaherramienta vaya alrededor del anillo de soporte de la arandela interna (Fig. 11 y Fig. 12).
3. Coloque la arandela externa en el vástago del eje portaherramienta y apriete con los dedos el perno de la hoja (en sentido contrario al de las agujas del reloj). Compruebe si la hoja ha permanecido en el anillo de soporte de la arandela interna.

4. Rote lentamente la hoja mientras presiona el vástago del eje portaherramienta hasta que se asiente completamente en la posición de bloqueo.

5. Utilizando la llave Torx (Fig. 7, 43), apriete firmemente el perno de la hoja **en sentido contrario al de las agujas del reloj**.

NOTA: Este perno tiene roscas a izquierdas. No lo apriete excesivamente. Se puede utilizar una llave Torx T30 como alternativa.

6. Asegúrese de que el cierre del eje portaherramienta esté liberado para que la hoja gire libremente.

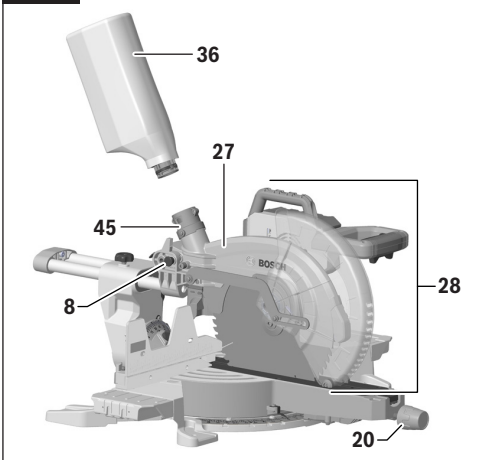
7. Coloque la llave Torx (43) de vuelta en el área de almacenamiento.

Ensamblaje

Ensamblaje del sistema de recolección de polvo

El sistema de recolección de polvo utilizado en esta herramienta se acopla al protector superior (Fig. 13, 27). Esta colocación produce una recolección de polvo excelente para la mayoría de los cortes. Desconecte el paquete de batería (Fig. 10, 46) antes de instalar, ajustar o retirar cualquier componente de recolección de polvo.

Fig. 13



Instalación de la bolsa colectora de polvo

Instalación y remoción de la bolsa colectora de polvo: Para instalar la bolsa colectora de polvo (Fig. 13, 36), comprima juntas las dos lengüetas rojas y deslice la bolsa colectora de polvo hacia el interior de la costilla del puerto de extracción de polvo.

Utilización y limpieza de la bolsa colectora de polvo

⚠ ADVERTENCIA Tenga sumo cuidado cuando deseche el polvo. Es posible que los materiales en forma de partículas finas sean explosivos. No arroje aserrín a un fuego al descubierto. Es posible que a veces, con el tiempo, ocurra una combustión espontánea de la mezcla de aceite o agua con las partículas de polvo.

Utilización de la bolsa colectora de polvo: Acople la bolsa limpia al puerto de extracción de polvo (Fig. 13, 45).

Limpieza de la bolsa colectora de polvo: Después de que la bolsa colectora de polvo esté de 2/3 a 3/4 llena, retírela de la sierra. Lleve la bolsa a un recipiente adecuado y ábrala

jalando la cremallera ubicada en la parte inferior de la bolsa. Agarre la bolsa por el extremo del acoplador y agítela vigorosamente hasta que todo el polvo y todos los residuos se caigan de ella. Cierre la cremallera y reinstale la bolsa.

NOTA: Limpie la bolsa al final de la sesión de corte y antes de transportar o almacenar la sierra.

Instalación de una aspiradora/un extractor de polvo

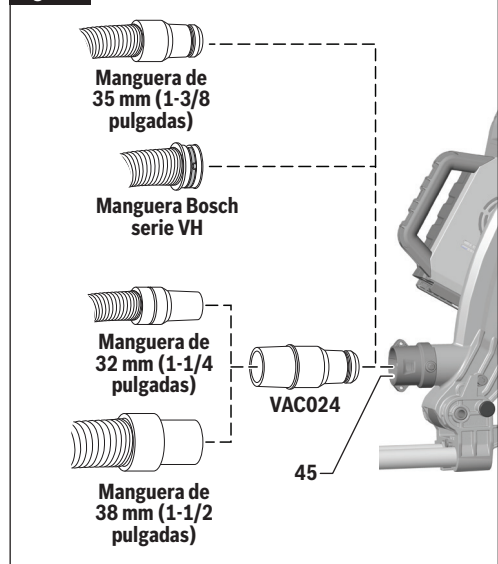
El puerto de extracción de polvo de la sierra (Fig. 14, 45) aceptará las boquillas típicas de las mangueras de aspiradora de 35 mm (13/8 de pulgada) y las mangueras Bosch serie VH.

Para conectar la sierra con una manguera de 1¼ pulgadas (32 mm) o 1½ pulgadas (38 mm), se puede utilizar el adaptador Bosch VAC024 (vendido por separado).

NOTA: los tamaños que anteceden indican los diámetros de las mangueras y no los diámetros de las boquillas.

Conexión a una aspiradora: Inserte la boquilla de aspiración en (o sobre) el puerto de extracción de polvo (Fig. 14, 45) tanto como sea posible. Compruebe la manguera de aspiración para ver si está libre del mecanismo y la trayectoria de corte antes de reconectar el paquete de batería.

Fig. 14



Ajustes

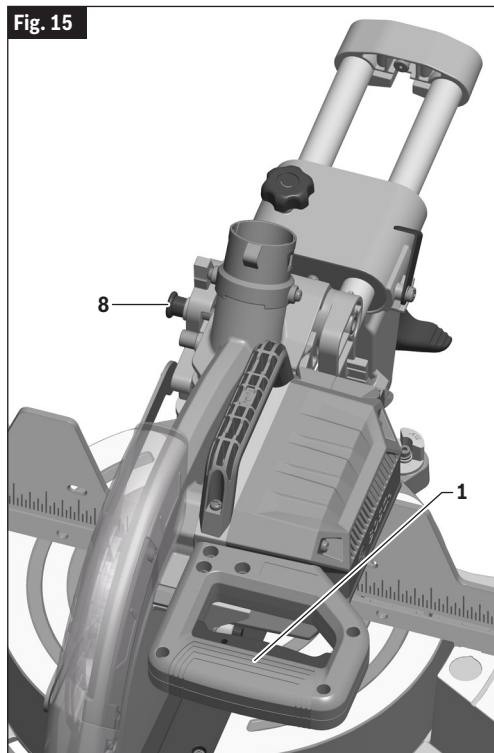
ADVERTENCIA Para evitar posibles lesiones, desconecte el paquete de batería antes de realizar cualquier ensamblaje, ajuste o reparación.

Utilización del pasador de fijación del ensamblaje del cabezal

Pasador de fijación del ensamblaje del cabezal

El pasador de fijación del ensamblaje del cabezal (Fig. 15, **8**) está ubicado en el lado izquierdo del poste pivote (Fig. 2, **38**). Se utiliza para sujetar el ensamblaje del cabezal de la sierra (Fig. 13, **28**) en la posición hacia ABAJO. Esta posición evita que el cabezal rebote hacia arriba y hacia abajo durante el transporte. Esto también hace más compacta la sierra para levantarla y almacenarla. Esta posición también se requiere para algunos procedimientos de calibración.

Fig. 15



2. Agarre el asa principal de la sierra (Fig. 15, **1**) y presione hacia abajo sobre el ensamblaje del cabezal (Fig. 13, **28**).
3. Mientras presiona hacia abajo el cabezal de la sierra, empuje hacia dentro el pasador de fijación del ensamblaje del cabezal (Fig. 15, **8**). Libere el ensamblaje del cabezal. El cabezal estará bloqueado en la posición hacia ABAJO.

Para desacoplar el pasador de fijación del ensamblaje del cabezal

1. Agarre el asa principal (Fig. 15, **1**) y presione hacia abajo sobre el ensamblaje del cabezal (Fig. 13, **28**).
2. Mientras presiona hacia abajo el cabezal, jale hacia fuera el pasador de fijación del ensamblaje del cabezal (Fig. 15, **8**). Suelte el pasador de fijación, pero siga agarrando el asa principal. Deje lentamente que el cabezal de la sierra accionado por resorte suba hasta la parte superior de su recorrido y luego suelte el asa.

Para acoplar el pasador de fijación del ensamblaje del cabezal

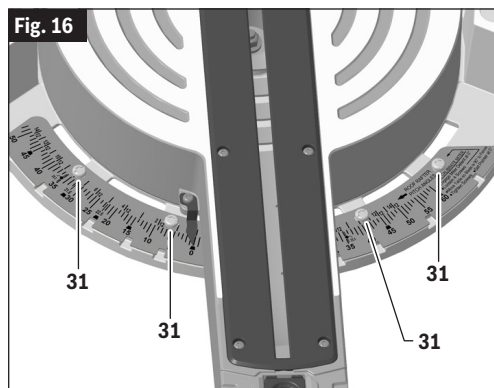
1. Compruebe que el tope 2x@45 esté desacoplado o presionado en la posición correcta derecha. (Consulte "Tope 2x@45" en la página 152.)

Ajustes

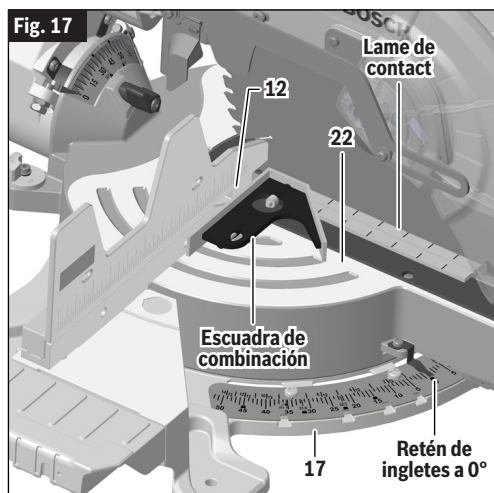
Sistema de retenes de inglete: Procedimiento de ajuste

Calibración del sistema de retenes de inglete

1. Acople el retén de ingletes en la posición de 0°. Afloje la perilla de fijación de inglete (Fig. 13, 20) 1/2 vuelta.
2. Afloje los 4 tornillos que sujetan la placa de retenes (Fig. 16, 31) utilizando la llave Torx (Fig. 7, 43).



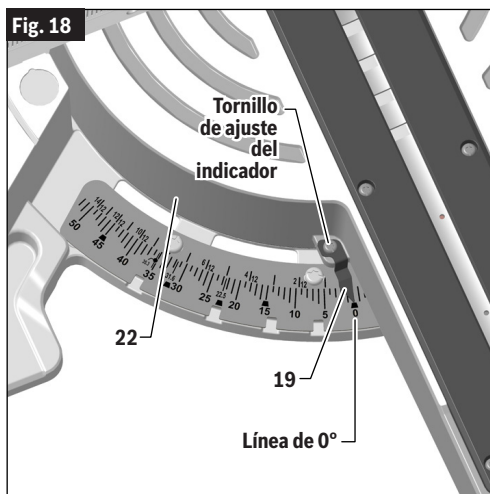
3. Fije el ensamblaje del cabezal hacia abajo utilizando el pasador de fijación del ensamblaje del cabezal (Fig. 13, 8).
4. Sujete un lado de una escuadra de combinación de 90° contra el tope-guía (Fig. 17, 12) y rote la mesa (22) y la placa de retenes (17) hasta que el lado de la hoja de sierra esté en contacto completo con el otro lado de la escuadra.



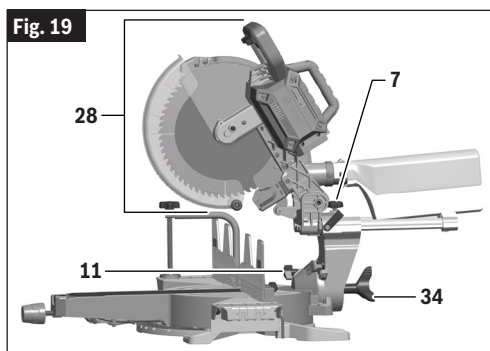
5. Apriete los cuatro tornillos. Luego, afloje y reajuste el indicador de la escala de ingletes hasta la posición "0" (Fig. 17).

Ajuste del indicador de la escala de ingletes

1. Rote la mesa (Fig. 18, 22) hasta la posición de 0° y fíjela en esa posición.



2. Suba el ensamblaje del cabezal (Fig. 19, 28) hasta la posición completamente hacia ARRIBA.



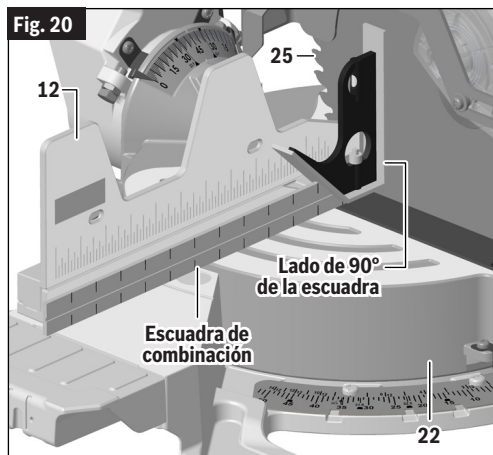
3. Afloje el tornillo de ajuste del indicador que sujeta el indicador de la escala de ingletes (Fig. 18, 19) en la posición correcta.
4. Posicione el indicador para alinearlos con la línea de 0°. Apriete el tornillo.

Ajustes

Tope de bisel a 0°

Comprobación del ajuste del tope de bisel a 0°

1. Sujete hacia abajo el ensamblaje del cabezal de la sierra (Fig. 19, **28**) y empuje hacia dentro el pasador de fijación del ensamblaje del cabezal (Fig. 21, **8**) para mantener la sierra en la posición hacia ABAJO.
2. Deslice el ensamblaje del cabezal de la sierra (Fig. 19, **28**) completamente hacia la parte trasera y acople la perilla de fijación del riel deslizante (**7**) apretando dicha perilla hacia la derecha (en el sentido de las agujas del reloj).
3. Rote la mesa hasta la posición de inglete de 0°.
4. Rote la perilla de fijación de bisel (**34**) en el sentido de las agujas del reloj para desbloquear el ensamblaje del cabezal.
5. Incline el ensamblaje del cabezal de la sierra (**28**) hacia la izquierda (en sentido contrario al de las agujas del reloj) y luego rótelo hacia la derecha (en el sentido de las agujas del reloj) hasta que sienta el tope en posición vertical. Esto es donde la sierra está ajustada actualmente para cortar en bisel a 0°.
6. Utilice una escuadra de combinación (Fig. 20) para comprobar que la hoja está a 90° (en ángulo recto) respecto a la mesa (**22**). Coloque el borde de la regla de la escuadra contra la mesa y deslícelo para que entre en contacto con la hoja (**25**) con el lado vertical de la cabeza de la escuadra.



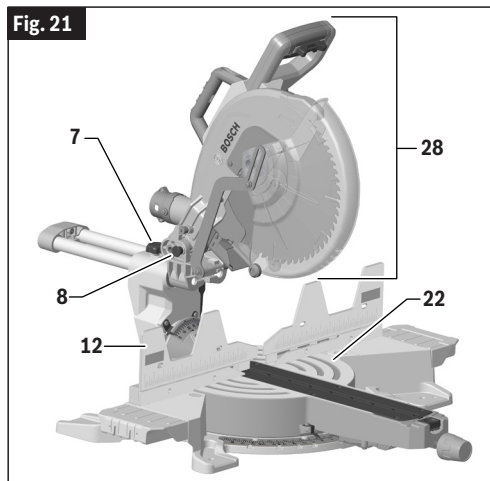
7. Compruebe que la placa de la hoja de sierra (**25**), no los dientes de la hoja de sierra, esté tocando el lado de 90° de la escuadra. Si la placa de la hoja de sierra no está en

contacto completo con el lado de 90° del cuerpo de la escuadra, consulte "Ajuste del tope de bisel a 0° (hoja a 90° respecto a la mesa)."

Ajuste del tope de bisel a 0° (hoja a 90° respecto a la mesa)

NOTA: Utilice una llave hexagonal de 4 mm para el ajuste.

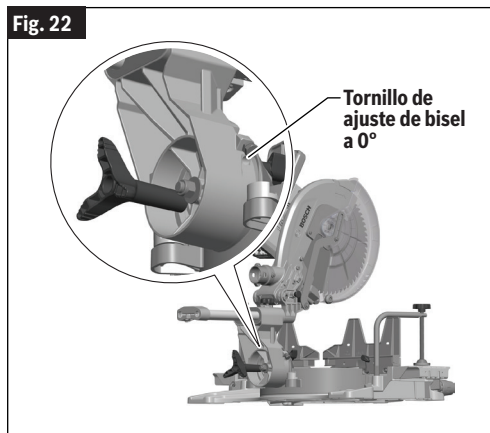
1. Baje el ensamblaje del cabezal (Fig. 19, **28**) y acople el pasador de fijación del ensamblaje del cabezal (Fig. 21, **8**).



2. Deslice el ensamblaje del cabezal (**28**) completamente hacia la parte trasera y acople la perilla de fijación del riel deslizante (**7**) apretando dicha perilla hacia la derecha (en el sentido de las agujas del reloj).
3. Jale hacia delante la palanca de fijación de bisel (**34**) para desbloquear el ensamblaje del cabezal.
4. Asegúrese de que la perilla selectora del intervalo de bisel (Fig. 19, **11**) esté empujada hacia atrás en la posición correcta.
 - Rote el tornillo de ajuste de bisel a 0° (Fig. 22) en el sentido de las agujas del reloj para ajustar el cabezal hacia la derecha.
 - Rote el tornillo de ajuste de bisel a 0° (Fig. 22) en sentido contrario al de las agujas del reloj para ajustar el cabezal hacia la izquierda.
5. Siga el procedimiento de "Comprobación del ajuste de bisel a 0°" para comprobar las modificaciones que ha realizado. Si se requiere algún ajuste adicional, repita los pasos que anteceden.

Ajustes

Fig. 22

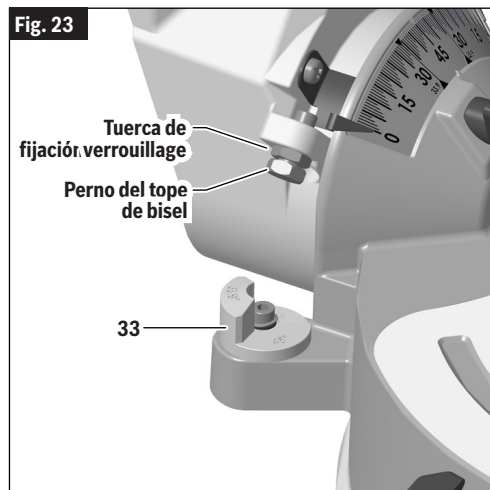


Tope de bisel a 45°

Comprobación del ajuste del tope de bisel a 45°

1. Sujete hacia abajo el ensamblaje del cabezal de la sierra (Fig. 21, **28**) y empuje hacia dentro el pasador de fijación del ensamblaje del cabezal (**8**) para mantener la sierra en la posición hacia ABAJO.
2. Deslice el ensamblaje del cabezal de la sierra (**28**) completamente hacia la parte trasera y apriete la perilla de fijación del riel deslizante (**7**).
3. Rote la mesa hasta la posición de inglete a 0°.
4. Rote la perilla de fijación de bisel (Fig. 19, **34**) en el sentido de las agujas del reloj para desbloquear el ensamblaje del cabezal.
5. Mueva el tope-guía deslizante izquierdo (Fig. 21, **12**) completamente hacia la izquierda.
6. Compruebe la posición del indicador de tope de bisel (Fig. 23, **33**). Debería estar en la posición de "0-45° a la izquierda".

Fig. 23

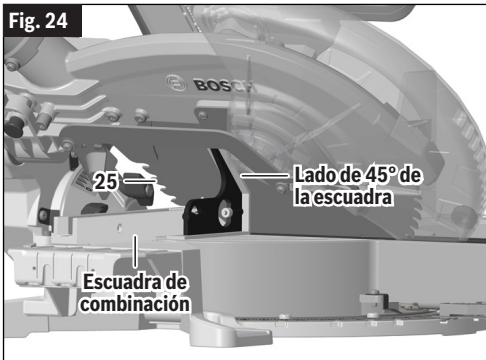


7. Incline el ensamblaje del cabezal de la sierra (Fig. 21, **28**) hacia la izquierda (en sentido contrario al de las agujas del reloj) hasta que alcance el tope de 45°. Esto es donde el tope de 45° de la sierra está ajustado para hacer un corte en bisel a la izquierda a 45°.
8. Utilice una escuadra de combinación para comprobar que la hoja está a 45° respecto a la mesa. Retire la hoja de la regla de la escuadra de combinación (Fig. 24). Coloque solo la cabeza de la escuadra de combinación sobre

Ajustes

la mesa de la sierra con su lado plano largo descansando sobre la mesa y su lado de 45° contra la hoja inclinada (25).

- Compruebe que solo la placa de la hoja de sierra (Fig. 24, 25), no los dientes, esté tocando el lado de 45° de la escuadra. Si la placa de la hoja de sierra no está en contacto completo con el lado de 45° de la escuadra, siga el procedimiento de "Ajuste del tope de bisel a 45° (hoja de la sierra a 45° respecto a la mesa)" que se indica a continuación.



Ajuste del tope de bisel a 45° (hoja de la sierra a 45° respecto a la mesa)

Para evitar posibles lesiones, retire la batería (Fig. 3, 46) antes de realizar cualquier ensamblaje, ajuste o reparación.

NOTA: Siga las instrucciones cuando compruebe el ajuste de bisel a 45° desde el lado izquierdo o derecho de la sierra ingletadora.

Calibración de la hoja a un bisel de 45°

NOTA: Siga Use una llave de tuerca de 10 mm para el ajuste.

NOTA: Siga La calibración del ajuste de bisel calibra automáticamente los topes de 33,9° y 45° a la izquierda o a la derecha.

- Baje el ensamblaje del cabezal de la sierra (28) y acople el pasador de fijación del ensamblaje del cabezal (8).
- Deslice el ensamblaje del cabezal (28) de la sierra completamente hacia la parte trasera y apriete la perilla de fijación del riel deslizante (Fig. 25, 7) girándola en el sentido de las agujas del reloj (hacia la derecha).
- Retire completamente los topes deslizantes (Fig. 21, 12) para evitar los golpes con el cabezal de la sierra.
- Compruebe los indicadores de tope de bisel ubicados en el lado izquierdo y derecho del poste de bisel en la mesa (Fig. 23, 33). Deberían estar a 45°.

- Rote la perilla de fijación de bisel (Fig. 19, 34) en el sentido de las agujas del reloj para desbloquear el ensamblaje del cabezal.

- Localice el perno del tope de bisel a lo largo del lazo izquierdo o derecho del poste de bisel. Este perno cuenta con una tuerca de fijación (Fig. 23).

- Afloje el perno del tope de bisel un cuarto de vuelta y luego afloje la tuerca de fijación. Cuando se haya completado esto, usted podrá ajustar el perno del tope de bisel con la mano.

- Rote el perno del tope de bisel en el sentido de las agujas del reloj para ajustar el cabezal hacia la izquierda.
- Rote el perno del tope de bisel en sentido contrario al de las agujas de reloj para ajustar el cabezal hacia la derecha.

- Siga el procedimiento de "Comprobación del ajuste del tope de bisel a 45°" en la página 24 para comprobar las modificaciones que ha realizado. Si se requiere algún ajuste adicional, repita los pasos que anteceden.

- Una vez que sea satisfactorio, bloquee la perilla de fijación de bisel (Fig. 19, 34) a 45° para prevenir el movimiento.

- Apriete con los dedos la tuerca de fijación (Fig. 23) en la posición correcta. Una vez que esté asegurada, apriétela con la llave de tuerca.

Transporte y montaje

⚠ ADVERTENCIA Para evitar posibles lesiones, desconecte el paquete de batería antes de realizar cualquier ensamblaje, ajuste o reparación.

Cómo levantar la sierra

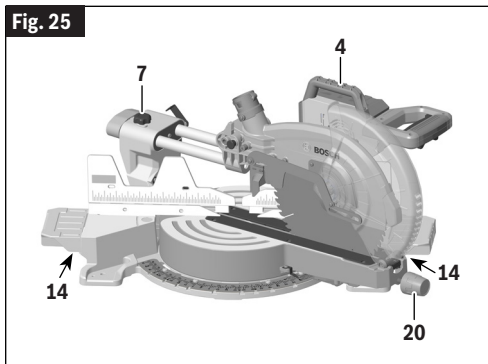
⚠ ADVERTENCIA Para evitar lesiones, siga todas las instrucciones identificadas a continuación por el símbolo del PUNTO NEGRO (•).

- No levante nunca la sierra agarrando cualquiera de las piezas del mecanismo deslizante. Es posible que la sierra se mueva y cause lesiones graves en los dedos o las manos del operador.
- Para evitar lesiones en la espalda, agarre la herramienta cerca del cuerpo cuando la levante. Doble las rodillas para poder levantar con las piernas, no con la espalda. Levantar la sierra desde la parte trasera es el método preferido. Esto inclinará la herramienta hacia el cuerpo del operador.
- No levante nunca la herramienta agarrando el asa donde está ubicado el interruptor. Es posible que esto cause daños graves.
- Coloque la sierra sobre una superficie nivelada y firme donde haya amplio espacio para manejar y soportar adecuadamente la pieza de trabajo.

Levante esta sierra **SOLO** por los mangos de transporte fundidos en cada lado de la parte inferior de la base (Fig. 25, 14) o por el asa de transporte principal (4).

Preparación para levantar la sierra

1. Ajuste el ángulo de bisel a 0° y fíjelo en esa posición utilizando la perilla de fijación de bisel (Fig. 19, 34).
2. Rote la mesa hasta 60° o 0° y fíjela en esa posición utilizando la perilla de fijación de inglete (Fig. 25, 20).



3. Fije el ensamblaje del cabezal de la sierra (Fig. 21, 28) en la posición hacia ABAJO con el pasador de fijación del ensamblaje del cabezal (8).
4. Deslice el ensamblaje del cabezal de la sierra completamente hacia la parte delantera y apriete la perilla de fijación del riel deslizante (Fig. 25, 7) girándola en el sentido de las agujas del reloj (hacia la derecha).

Levante la sierra por los mangos de transporte fundidos

Con la sierra orientada hacia usted y el cabezal ajustado a un ángulo de inglete de 60°, el ensamblaje del cabezal de la sierra (Fig. 21, 28) bloqueado hacia abajo y el cabezal en la posición hacia delante con la perilla del riel deslizante (Fig. 25, 7) apretada, agarre ambos mangos de transporte (14) fundidos ubicados debajo de las extensiones de la base. Siga levantando la sierra y transpórtela cómodamente.

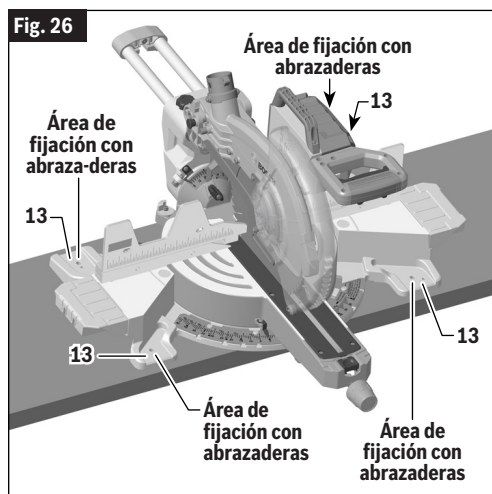
Transporte y montaje

Aplicaciones de montaje

⚠ ADVERTENCIA Asegúrese de que la sierra ingletadora esté montada o colocada sobre una superficie de trabajo nivelada y firme antes de utilizarla. Una superficie de trabajo nivelada y firme reduce el riesgo de que la sierra ingletadora se vuelva inestable.

Instalación permanente en un banco de trabajo

1. Cada uno de los cuatro agujeros de montaje (Fig. 26) ubicados en las almohadillas de montaje de la herramienta (13) se deberá empernar firmemente utilizando pernos de 5/16 de pulgada (M8), arandelas de seguridad y tuercas hexagonales (no se incluyen).



2. Localice y marque el lugar donde se va a montar la sierra.
3. Taladre cuatro agujeros de 5/16 de pulgada (8 mm) de diámetro a través del banco de trabajo.
4. Coloque la sierra ingletadora sobre el banco de trabajo, alineando los agujeros de la base con los agujeros taladrados en el banco de trabajo. Instale los pernos, las arandelas de seguridad y las tuercas hexagonales.

Instalación alternativa

Los agujeros de montaje pequeños ubicados en cada esquina se pueden utilizar para clavos o tornillos para panel de yeso más largos.

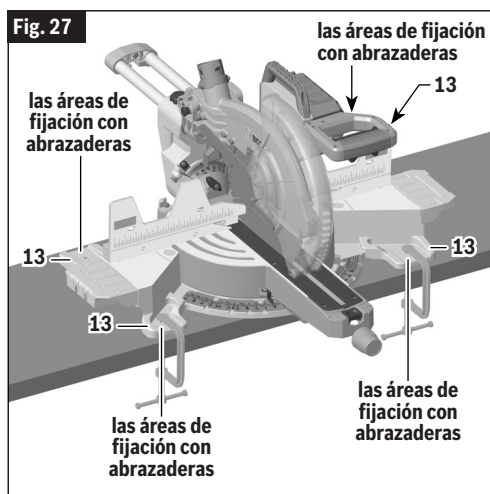
La superficie de soporte donde se vaya a montar la sierra se deberá examinar minuciosamente después de realizar el montaje, para asegurarse de que no pueda ocurrir movimiento durante el uso. Si se observa cualquier inclinación o

desplazamiento, fije el banco de trabajo o la base de soporte antes de utilizar la sierra ingletadora.

Tenga cuidado de no clavar excesivamente el clavo o apretar excesivamente el perno. Esto podría agrietar el pie o dañar la base.

Montaje temporal utilizando abrazaderas

- Si es necesario, fije con abrazaderas la sierra ingletadora a un banco de trabajo o un tablero de mesa.
- Coloque dos o más abrazaderas en "C" en las áreas de fijación con abrazaderas (Fig. 27) y sujételas firmemente. Hay áreas de fijación con abrazaderas en las cuatro esquinas de la sierra.
- Es posible que el montaje con abrazaderas prevenga el acceso a algunos ángulos de inglete anchos.



Preparación para operaciones con la sierra

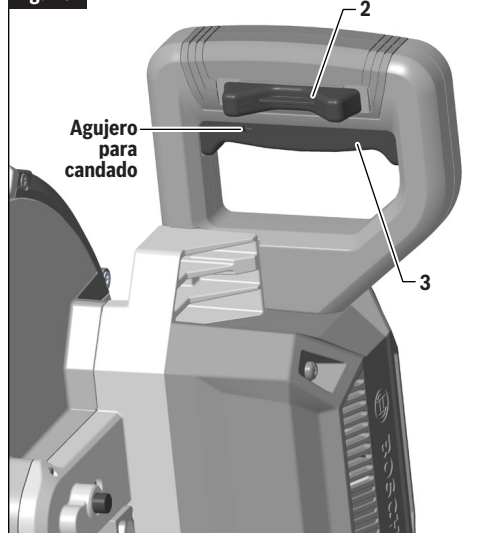
⚠ ADVERTENCIA Para evitar posibles lesiones, desconecte el paquete de batería antes de realizar cualquier ensamblaje, ajuste o reparación.

Activación del interruptor

Por seguridad, el interruptor de alimentación (Fig. 28, 3) está diseñado para prevenir los arranques accidentales. Para accionar el interruptor de seguridad, deslice los botones de liberación de la "Fijación en APAGADO" del interruptor (2) con cualquiera de los dedos pulgares para desacoplar el cierre y luego jale el gatillo del interruptor de alimentación (3) y suelte el botón de liberación de la "Fijación en APAGADO" del interruptor. Al soltar el gatillo interruptor de alimentación, el botón de liberación de la "Fijación en APAGADO" del interruptor activará automáticamente el gatillo interruptor de alimentación y la palanca ya no funcionará hasta que cualquiera de los dos botones de liberación de la "Fijación en APAGADO" sea activado de nuevo.

NOTA: El agujero para candado (Fig. 28) puede acomodar un candado con una barra larga de hasta 5/16 de pulgada (8 mm) de diámetro (el candado no se suministra con la sierra ingletadora) para prevenir el uso no autorizado.

Fig. 28



Luz LED incorporada

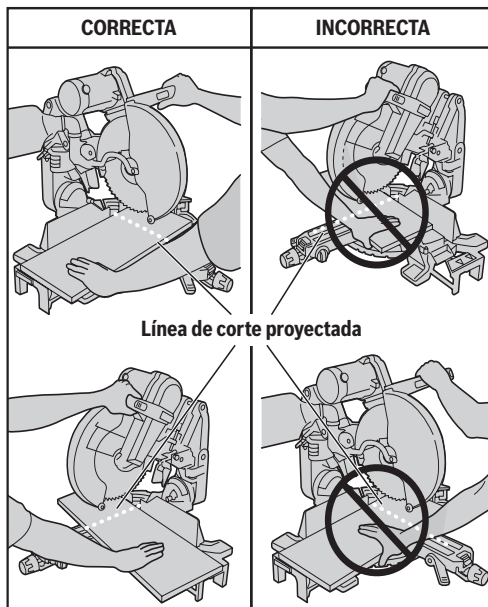
Esta herramienta está equipada con una potente luz LED para ofrecer mejor visibilidad durante las operaciones de corte. La luz tiene la capacidad de encenderse cuando el gatillo se presiona solo parcialmente (Fig. 28, 3). La luz permanecerá encendida durante 30 segundos después de soltar el gatillo. Esto permite que el corte sea más visible.

Posición del cuerpo y las manos

⚠ ADVERTENCIA Posicione el cuerpo y las manos adecuadamente para hacer que el corte sea más fácil y más seguro. Si no se siguen todas las instrucciones identificadas a continuación por el símbolo del punto negro (•), es posible que el resultado sea lesiones corporales graves. (Vea la Fig. 29 a continuación).

- No ponga nunca las manos cerca del área de corte. Mantenga las manos fuera de la zona de "MANOS NO".

Fig. 29



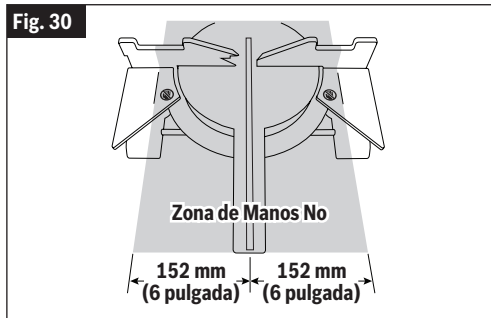
Zona de Manos No

La "Zona de Manos No" es un área de 6 pulgadas (152 mm) de ancho en el lado izquierdo y derecho de la trayectoria de corte de la hoja. Parte del tope-guía en esta área se considera parte de la "Zona de Manos No."

La "Zona de Manos No" para los cortes a inglete de cero y cortes en bisel de cero están marcadas en la herramienta con líneas y el símbolo de "Manos No" (Fig. 30).

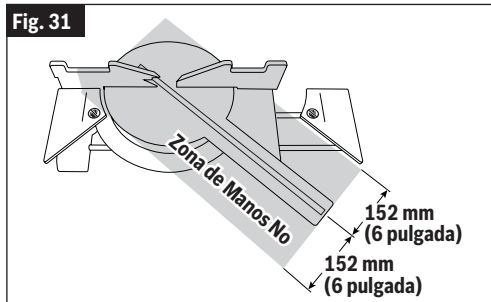
Preparación para operaciones con la sierra

Fig. 30



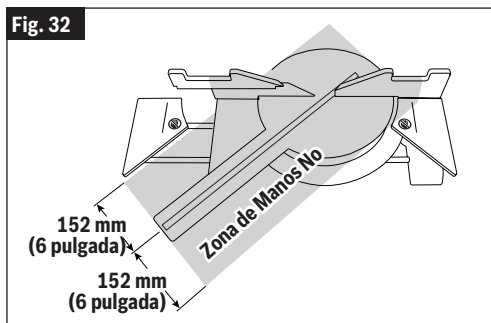
La "Zona de Manos No" para todos los cortes deslizantes y de inglete a la derecha (Fig. 31).

Fig. 31



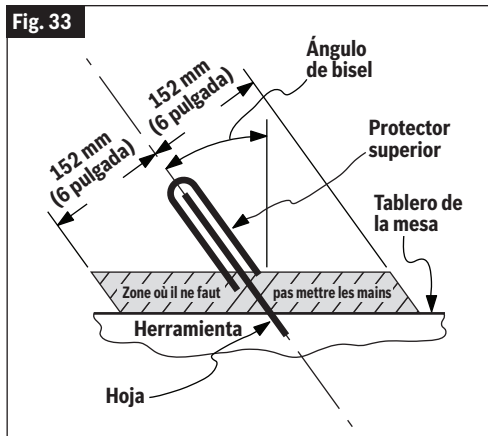
La "Zona de Manos No" para todos los cortes deslizantes y de inglete a izquierda (Fig. 32).

Fig. 32



Con todos los cortes en bisel, la "Zona de Manos No" se extiende verticalmente hacia arriba hasta la parte inferior del protector superior cuando el ensamblaje del cabezal está en la posición de corte más baja (Fig. 33).

Fig. 33



Utilice el tope-guía deslizante fuera de la Zona de Manos No

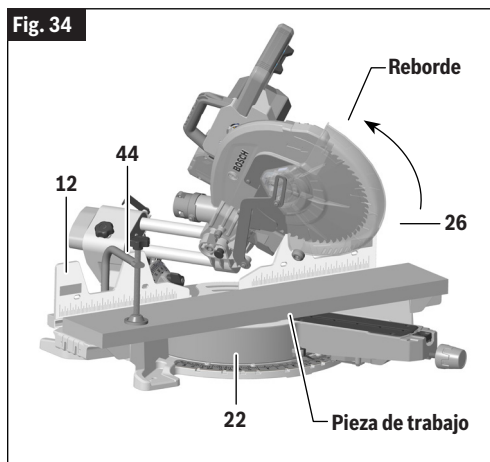
Utilice el tope-guía deslizante (Fig. 34, 12) y soportes adicionales para la pieza de trabajo con el fin de soportar adecuadamente la pieza de trabajo y sujétela o fíjela con abrazaderas fuera de la "Zona de Manos No" (Fig. 30, Fig. 31, Fig. 32, Fig. 33).

La pieza de trabajo se puede sujetar contra la mesa (Fig. 34, 22) y el tope-guía (12) con la mano solo fuera de la "Zona de Manos No".

- **Sujete la pieza de trabajo firmemente contra la mesa y el tope-guía para impedir su movimiento.**
- **Mantenga las manos en la posición adecuada hasta que se haya soltado el gatillo y la hoja se haya detenido por completo.**
- **No ponga nunca las manos sobre los componentes del mecanismo.**
- **Mantenga los pies firmemente en el piso y mantenga un equilibrio adecuado.**
- **Siga el brazo ingletador cuando corte a inglete a la izquierda o a la derecha. Sitúese de pie a un lado de la hoja de sierra.**

Preparación para operaciones con la sierra

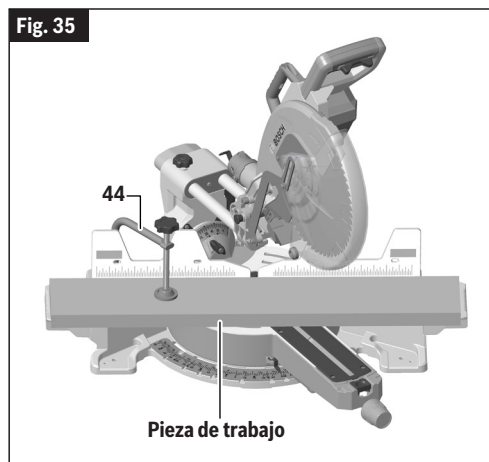
Fig. 34



Si esto sucede:

La pieza de trabajo debe estar firmemente sujeta con una abrazadera (Fig. 34 y Fig. 35, 44). Esto libera una mano para subir el protector inferior (26) por el reborde justo lo suficiente para rebasar la pieza de trabajo sin tocarla.

Fig. 35



Pasada de prueba

⚠ ADVERTENCIA Tenga en cuenta la trayectoria de la hoja de sierra. Haga una pasada de prueba con el paquete de batería desconectado y la sierra APAGADA, realizando un ciclo de corte simulado, y observe la trayectoria proyectada de la hoja de sierra. Mantenga las manos fuera de la trayectoria de la hoja de sierra.

Es importante saber dónde se van a intersectar la hoja y la pieza de trabajo durante las operaciones de corte. Realice siempre la secuencia simulada de corte con el paquete de batería desconectado y la herramienta eléctrica APAGADA, para entender la trayectoria proyectada de la hoja de sierra. Tenga en cuenta mentalmente dónde caerá la trayectoria de la hoja de sierra y ajuste la pieza de trabajo para mantener las manos y los brazos fuera de la trayectoria de la hoja que gira. Ajuste las abrazaderas y los topes-guía de manera que no interfieran con el buen funcionamiento del protector inferior ni con la acción de corte durante la operación de corte.

Protector inferior

⚠ ADVERTENCIA Es posible que el protector inferior (Fig. 34, 26) no se abra automáticamente en ciertas circunstancias de corte; por ejemplo, cuando intente cortar piezas de trabajo que estén cerca de la capacidad de altura de corte máxima. En estas condiciones o durante el movimiento de corte del recorrido de la hoja, la pieza de trabajo puede detener el movimiento del protector inferior antes de que el movimiento descendente del brazo pueda preabrir el protector inferior.

Arranque la sierra y comience el corte. Una vez que haya rebasado la posición en la que es posible que el protector inferior se atore, suelte el protector y este seguirá funcionando automáticamente mientras usted corta.

Preparación para operaciones con la sierra

Soporte para la pieza de trabajo

Abrazaderas

ADVERTENCIA Es posible que haya cortes compuestos extremos en los que no se pueda utilizar la abrazadera. Soporte la pieza de trabajo con la mano fuera de la zona de "Manos No". No intente cortar piezas cortas que no se puedan sujetar con abrazaderas y hagan que la mano del operador esté en la zona de "Manos No".

ADVERTENCIA Tenga en cuenta la trayectoria de la hoja de sierra. Haga una pasada de prueba con el paquete de batería desconectado y la sierra APAGADA, realizando un ciclo de corte simulado, y observe la trayectoria proyectada de la hoja de sierra. Mantenga las manos al menos a seis (6) pulgadas (152 mm) de distancia de la trayectoria proyectada de la hoja de sierra.

Utilización de la abrazadera para la pieza de trabajo: Esta abrazadera (Fig. 35, 44) fija fácilmente una pieza de trabajo a la mesa o la base.

1. Inserte hacia abajo la barra estriada de la abrazadera dentro de un agujero de poste de abrazadera (Fig. 36, 42). Hay dos agujeros para poste ubicados en la base detrás del tope-guía (Fig. 3). El extremo estriado debe estar en el poste al menos 1/2 pulgada (13 mm).
2. Deslice la abrazadera hacia abajo hasta que su pie de caucho entre en contacto con la pieza de trabajo.
3. Ajuste la altura de la abrazadera de manera que no toque el tope-guía deslizante.
4. Rote la perilla de la abrazadera hasta que la pieza de trabajo esté firmemente sujeta en la posición correcta.
5. Mueva el cabezal de la sierra hacia arriba y hacia abajo y hacia delante y hacia detrás para asegurarse de que rebasa la abrazadera sin tocarla.

Otras abrazaderas: Otros dispositivos de fijación, tales como abrazaderas en C, se pueden utilizar para sujetar firmemente la pieza de trabajo contra la mesa (Fig. 36, 22) y el tope-guía (12). Asegúrese de que las abrazaderas estén fuera de la trayectoria de corte.

Topes-guía deslizantes

ADVERTENCIA Para proporcionar suficiente espaciamiento (6 pulgadas como mínimo) desde la mano hasta la hoja de sierra, extienda los topes-guía deslizantes (Fig. 36, 12) cuando haga cortes extremos de bisel, inglete o compuestos.

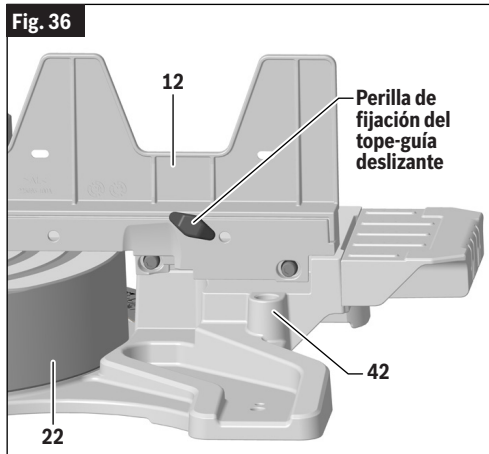
Utilización de los topes-guía deslizantes

1. Afloje la perilla de fijación del tope-guía deslizante (Fig. 36) en sentido contrario al de las agujas del reloj ½ vuelta para aflojar el tope-guía.
2. Deslice el tope-guía (12) hasta la posición deseada.
3. Apriete la perilla de fijación en el sentido de las agujas del reloj para fijar la posición del tope-guía deslizante.

Remoción de los topes-guía deslizantes

Es posible que sea necesario retirar el tope-guía deslizante (Fig. 36, 12) cuando se realicen cortes en bisel extremos y la mayoría de los cortes compuestos.

1. Afloje la perilla de fijación del tope-guía deslizante (Fig. 36) en sentido contrario al de las agujas del reloj 6 rotaciones.
2. Levante y retire el tope-guía deslizante (12).



Soporte para piezas de trabajo largas

ADVERTENCIA Las piezas de trabajo largas tienen tendencia a voltearse, a menos que estén sujetas con abrazaderas y soportadas adecuadamente desde debajo.

ADVERTENCIA No utilice a otra persona como sustituto de una extensión de la mesa o como soporte adicional. Un soporte inestable de la pieza de trabajo puede hacer que la hoja se atore o que la pieza de trabajo se desplace durante la operación de corte, lo cual hará que usted entre en contacto con la hoja de sierra que gira.

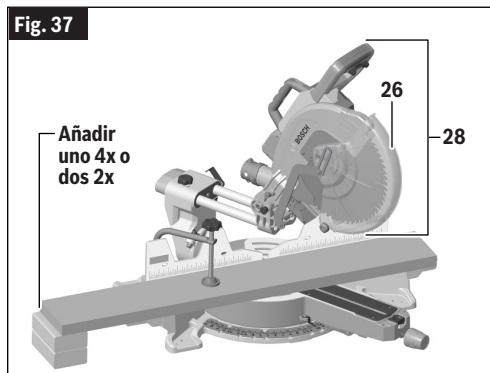
Preparación para operaciones con la sierra

Soporte adicional para la pieza de trabajo

⚠ ADVERTENCIA Asegúrese siempre de que las superficies de soporte sean capaces de soportar adecuadamente la pieza de trabajo y permitan un agarre seguro con la mano fuera de la “Zona de Manos No”, o una fijación con una abrazadera dentro o fuera de la “Zona de Manos No”. (Consulte “Posición del cuerpo y las manos” en la página 139 para la “Zona de Manos No” y las posiciones adecuadas de las manos).

⚠ ADVERTENCIA Tenga en cuenta la trayectoria de la hoja de sierra. Haga una pasada de prueba con el paquete de batería desconectado y la sierra APAGADA, realizando un ciclo de corte simulado, y observe la trayectoria proyectada de la hoja de sierra. Mantenga las manos al menos a seis (6) pulgadas (152 mm) de distancia de la trayectoria proyectada de la hoja de sierra.

Bloques: Las piezas de trabajo largas necesitan soporte adicional. La altura de la base (3-1/2 pulgadas / 89 mm) está diseñada para coincidir con la madera de construcción estándar de un pedazo de 4x o dos pedazos de 2x. Se pueden utilizar tablas de estos grosores para crear extensiones de soporte auxiliares para piezas de trabajo largas (Fig. 37).



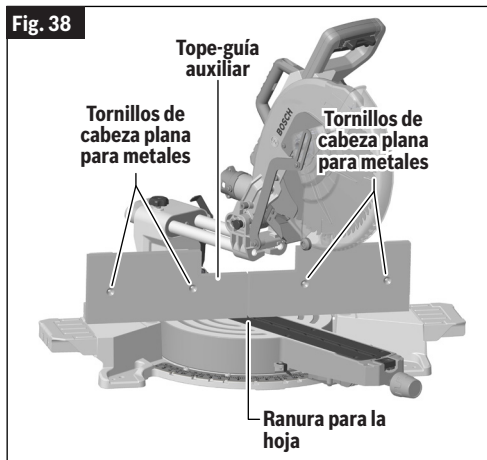
Elaboración de un tope-guía auxiliar

⚠ ADVERTENCIA Compruebe si hay interferencia entre el tope-guía auxiliar y los componentes del cabezal de la sierra realizando una pasada de prueba. La interferencia con el tope-guía puede prevenir el funcionamiento correcto de la sierra y causar lesiones y/o daños a la herramienta.

⚠ ADVERTENCIA Tenga en cuenta la trayectoria de la hoja de sierra. Haga una pasada de prueba con el paquete de batería desconectado y la sierra APAGADA, realizando un ciclo de corte simulado, y observe la trayectoria proyectada de la hoja de sierra. Mantenga las manos al menos a seis (6) pulgadas (152 mm) de distancia de la trayectoria proyectada de la hoja de sierra.

Ciertos tipos de moldura necesitan una extensión de la cara del tope-guía debido al tamaño y la posición de la pieza de trabajo. Se proporcionan agujeros en el tope-guía para instalar un tope-guía auxiliar. Utilice el tope-guía auxiliar solo con la sierra en la posición de bisel a 0°.

1. Para crear un tope-guía auxiliar (Fig. 38), coloque un pedazo de madera contra el tope-guía deslizante (Fig. 36, 12). La madera puede tener una altura máxima de 5-1/2 pulgadas (140 mm). Compruebe que el ensamblaje del tope-guía auxiliar (Fig. 38) no interfiera con el ensamblaje del cabezal de la sierra (Fig. 37, 28).



2. Marque las ubicaciones de los agujeros de soporte en la madera desde el lado trasero del tope-guía.
3. Taladre y avellane los agujeros en la parte delantera de la tabla de soporte.

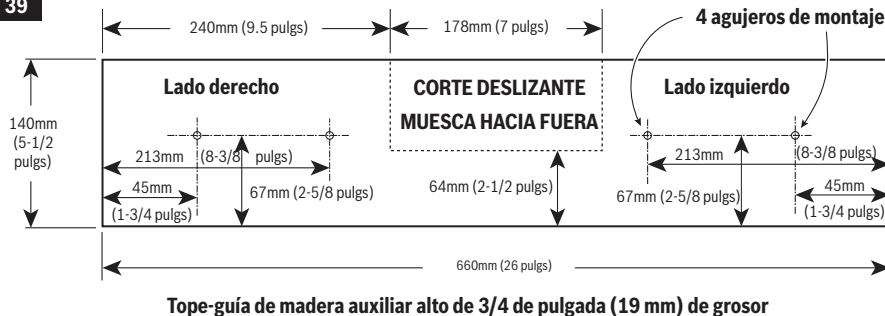
Preparación para operaciones con la sierra

4. **Para realizar la fijación desde la parte delantera del tope-guía:** Instale (cada) tope-guía auxiliar utilizando dos (2) tornillos para metales de cabeza plana de 3/16 de pulgada (M5) (Fig. 38). Con el tope-guía auxiliar de 3/4 de pulgada (19 mm), utilice tornillos de 1-1/2 pulgadas (38 mm) de longitud. Realice la fijación detrás del tope-guía de metal con una arandela y tuercas para metales.

Para realizar la fijación desde la parte trasera del tope-guía: Con un tope-guía auxiliar de 3/4 de pulgada (19 mm), utilice tornillos de cabeza redonda de 1/4 de pulgada para madera (M6) (3/4 de pulgada/20 mm de longitud). Taladre cuatro agujeros piloto a través del tope-guía auxiliar y pase los tornillos desde la parte trasera del tope-guía de metal.

- Haga un corte de profundidad completa para crear la ranura para la hoja. Compruebe si hay interferencia entre el tope-guía auxiliar (Fig. 38) y el protector inferior de la hoja (Fig. 37, 26). Haga ajustes según sea necesario.
- Para realizar los mejores cortes libres de astillas, utilice el método de corte de tronzado.
- Cuando haga cortes deslizantes, el centro debe estar enmuescado hacia fuera de acuerdo con el patrón (Fig. 39).

Fig. 39



Operaciones de la sierra

Utilización del freno

⚠ ADVERTENCIA La acción de freno de esta sierra no está diseñada como función de seguridad. Recuerde dejar que la hoja de sierra se detenga por completo antes de levantar la hoja de la pieza de trabajo. Como siempre, el sistema de protectores es la mejor protección que usted tiene contra el contacto accidental con una hoja de sierra que gira. No ponga NUNCA cuñas para mantener abierto el protector inferior ni anule la acción de cierre de dicho protector.

⚠ ADVERTENCIA Conozca el estado de carga de la batería. La acción de frenado eléctrico es iniciada SOLO por la liberación del interruptor gatillo y en una herramienta que tenga energía disponible. Cuando la energía eléctrica se pierda debido a que la batería esté descargada o a otras causas, el freno eléctrico no funcionará y el motor reducirá su velocidad gradualmente. Es posible que un tiempo inesperado de desaceleración hasta detenerse cause daños materiales y/o lesiones corporales.

Esta sierra está equipada con un freno eléctrico automático que está diseñado para detener el giro de la hoja en aproximadamente cinco (5) segundos después de que usted suelte el interruptor gatillo. Es útil cuando se realizan ciertos cortes en madera en los que una hoja que esté girando por inercia mientras desacelera tendría como resultado un corte ancho e impreciso.

El frenado comienza una vez que se apaga la herramienta.

El freno requiere una batería cargada para poder funcionar. El tiempo de parada variará dependiendo de, entre otros factores, la hoja de sierra que se utilice y el número de accionamientos. El freno eléctrico de esta sierra ingletadora ha sido diseñado para ofrecer un alto grado de confiabilidad, pero las circunstancias inesperadas, tales como la contaminación o una falla de los componentes del motor, pueden hacer que el freno no se active. Si la herramienta funciona, pero el freno no detiene uniformemente la hoja en aproximadamente 5 segundos, NO utilice la sierra ingletadora y haga que reciba servicio de ajustes y reparaciones por un Centro de Servicio de Fábrica o una instalación de servicio autorizada Bosch.

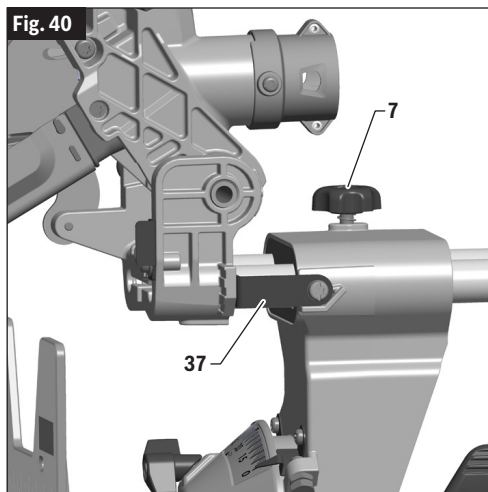
Cierre de tronzado/corona

Esta sierra está equipada con un dispositivo de fijación de tronzado/corona (Fig. 40, 37) que está diseñado para bloquear el ensamblaje del cabezal en la posición adecuada a la vez que da la máxima capacidad para realizar cortes verticales y cortes de corona.

Acoplamiento del cabezal para cortes de tronzado y moldura de corona

Para hacer cortes verticales contra el tope-guía, de hasta 6-3/4 pulgadas de altura, active el dispositivo de tronzado/corona:

1. Afloje la perilla de fijación del riel deslizante (Fig. 40, 7) girándola en sentido contrario al de las agujas del reloj.
2. Deslice hacia delante el ensamblaje del cabezal (Fig. 34, 28) y rote el cierre de tronzado/corona (40, 37) hasta la posición correcta.
3. Bloquee el sistema deslizante en la posición correcta girando la perilla de fijación del riel deslizante en el sentido de las agujas del reloj.



Operaciones de la sierra

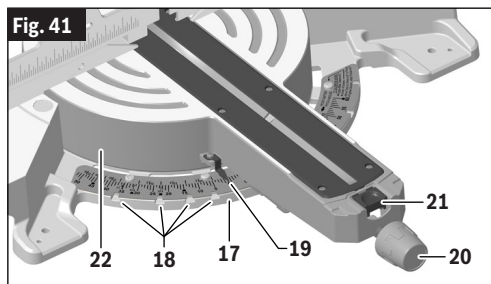
Utilización de la perilla de fijación de inglete

1. Afloje la perilla de fijación de inglete.
2. Mientras sostiene la perilla en la palma de la mano, empuje el botón de retenes de inglete, rote la mesa hacia la izquierda o hacia la derecha hasta el ángulo de inglete necesario y suelte el botón.
3. Una vez que esté en el ángulo correcto, apriete la perilla rotándola en el sentido de las agujas del reloj.

NOTA: Se recomienda apretar la perilla de fijación de inglete antes de todos los cortes. Se requiere apretar la perilla antes de cortar a cualquier ángulo entre los acoplamientos de retén o cuando se esté utilizando el sistema de sobrecontrol de los retenes de inglete.

Utilización del sistema de retenes de inglete

1. Afloje la perilla de fijación de inglete (Fig. 41, 20) aproximadamente 1/2 vuelta.

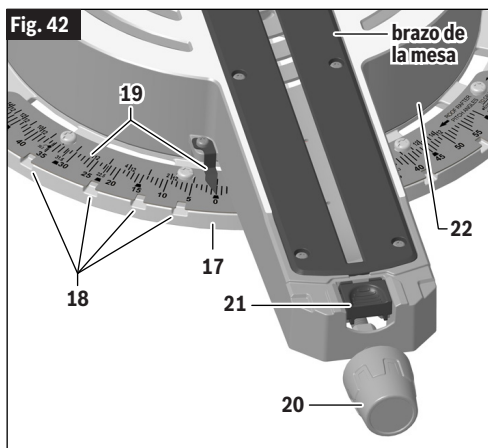


2. Agarre la perilla de fijación de inglete (20) y luego empuje hacia abajo el botón de sobrecontrol de los retenes de inglete (21) o en un ángulo entre retenes. Si está cerca de un retén, utilice la función de sobrecontrol de los retenes.
3. Mientras agarra la perilla de fijación de inglete (20) y el botón de sobrecontrol de los retenes de inglete (21), rote la mesa de la sierra (22). Detenga la rotación de la mesa en el ángulo deseado tal y como lo señale el indicador de la escala de ingletes (19).
4. Libere la palanca en un retén (18) de la placa de retenes (17) o en un ángulo entre retenes. Si está cerca de un retén, utilice la función de sobrecontrol de los retenes.
5. Apriete la perilla de fijación de inglete (20) rotándola en el sentido de las agujas del reloj.

NOTA: Se recomienda apretar la perilla de fijación de inglete (20) antes de todos los cortes. Se requiere apretar la perilla antes de cortar a cualquier ángulo entre retenes (18) o cuando el sistema de sobrecontrol de los retenes esté en uso.

Sobrecontrol de los retenes de inglete

El botón de sobrecontrol de los retenes de inglete (Fig. 42, 21) permite bloquear la acción de los retenes de inglete, lo cual permite realizar microajustes en cualquier ángulo de inglete. Cuando el inglete deseado esté demasiado cerca de un ángulo ingletador estándar que tenga una ranura para retén (18), esta función impedirá que la cuña del sistema de retenes de inglete resbale al interior de la ranura para retén ubicada en la placa de retenes de inglete (17).



1. Empuje hacia abajo el botón de sobrecontrol de los retenes de inglete (21).
2. Empuje hacia delante el botón de sobrecontrol de los retenes de inglete (21) y trábelo en la posición correcta debajo del borde receptor del brazo de la mesa (Fig. 42).
3. Rote la mesa (22) hasta cualquier posición en la escala de ingletes (19).
4. Apriete la perilla de fijación de inglete (20) rotándola en el sentido de las agujas del reloj para retener la posición de inglete.

Para desacoplar:

Empuje hacia abajo y jale el botón de sobrecontrol de los retenes de inglete (Fig. 42, 21) y la mesa (22) se debería fijar en cualquier retén de inglete deseado (18).

Operaciones de la sierra

Cortes de tronzado

¿Qué es un corte de tronzado?

- Un “corte de tronzado” es un corte transversal realizado cuando la sierra se sujeta en la posición más hacia atrás y se utiliza como una sierra ingletadora convencional (no deslizante). La utilización del método de corte de tronzado reduce la capacidad de corte transversal. Sin embargo, muchos usuarios prefieren este método porque es más rápido cuando se realizan cortes repetidos. Este método también puede producir cortes más precisos porque el cabezal de la sierra está bloqueado en la posición retraída.
- Esta sierra tiene topes de ángulo de bisel que detienen con precisión en ángulos críticos: 45° a la izquierda/derecha y 0° a la derecha. Viene ajustada en la fábrica y no debería requerir ajuste. Sin embargo, después de un uso extenso o si la herramienta ha recibido un impacto fuerte, es posible que requiera un ajuste.
- Un corte de tronzado puede cortar piezas con una anchura de 5-1/2 pulgadas (140 mm) o menos.

Preparación para realizar cortes de tronzado

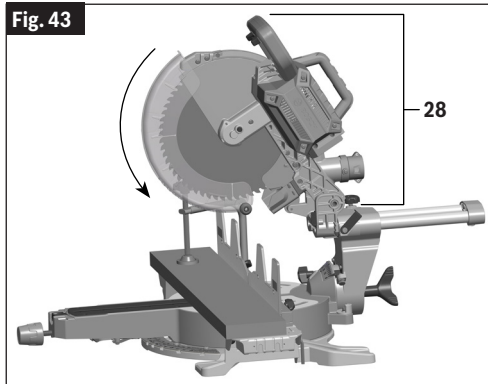
⚠ ADVERTENCIA Utilice una posición de fijación con abrazaderas que no interfiera con la operación. Antes de ENCENDER la herramienta, baje el ensamblaje del cabezal para asegurarse de que la abrazadera rebese el protector y el ensamblaje del cabezal sin tocarlos.

⚠ ADVERTENCIA Tenga en cuenta la trayectoria de la hoja de sierra. Haga una pasada de prueba con el paquete de batería desconectado y la sierra APAGADA, realizando un ciclo de corte simulado, y observe la trayectoria proyectada de la hoja de sierra. Mantenga las manos al menos a seis (6) pulgadas (152 mm) de distancia de la trayectoria proyectada de la hoja de sierra.

1. Con el ensamblaje del cabezal de la sierra (Fig. 43, 28) en la posición hacia ARRIBA, empujelo hacia atrás sobre el tope-guía hasta la parte trasera.
2. Gire la perilla de fijación del riel deslizante (Fig 40, 7) en el sentido de las agujas del reloj para fijarla.
3. Posicione adecuadamente la pieza de trabajo y fíjela firmemente con abrazaderas a la mesa (Fig. 44, 22), al tope-guía (12) o a ambas cosas.

Realización de un corte de tronzado

1. Active el interruptor (Fig. 1, 3) y luego baje completamente el ensamblaje del cabezal de la sierra (Fig. 43, 28) para hacer el corte.
2. Sujete el ensamblaje del cabezal de la sierra hacia abajo hasta que la hoja se detenga por completo. Devuelva el ensamblaje del cabezal de la sierra a la posición hacia ARRIBA. Retire la pieza de trabajo.



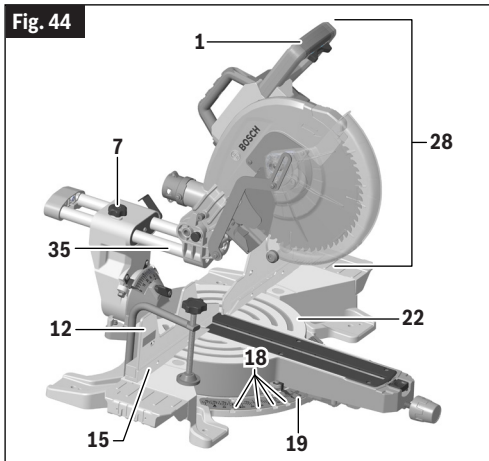
Operaciones de la sierra

Cortes deslizantes

¿Qué es un corte deslizante?

⚠ ADVERTENCIA No jale NUNCA la sierra hacia usted durante el corte. La hoja puede trepar repentinamente sobre la pieza de trabajo y forzarse a sí misma hacia usted.

- Un "corte deslizante" se realiza con el ensamblaje del cabezal (Fig. 44, **28**) desbloqueado y capaz de moverse alejándose del tope-guía (**12**). Este movimiento es soportado y controlado precisamente por el sistema deslizante (**35**). La capacidad máxima de corte transversal se utiliza empleando este método.



- El mejor uso de un corte deslizante es para cortar transversalmente piezas de trabajo más anchas de lo que se puede hacer con un corte de tronzado: piezas más anchas de 5-1/2 pulgadas (140 mm) y hasta una anchura máxima de 14 pulgadas (356 mm) transversalmente.

Preparación para realizar un corte deslizante

⚠ ADVERTENCIA Utilice una posición de fijación con abrazaderas que no interfiera con la operación. Antes de ENCENDER la herramienta, baje el ensamblaje del cabezal (Fig. 43, **28**) para asegurarse de que la abrazadera rebase el protector y el ensamblaje del cabezal sin tocarlos.

⚠ ADVERTENCIA Tenga en cuenta la trayectoria de la hoja de sierra. Haga una pasada de prueba con el paquete de batería desconectado y la sierra APAGADA, realizando un ciclo de corte simulado, y observe la trayectoria proyectada de la hoja de sierra. Mantenga las manos al menos a seis (6) pulgadas (152

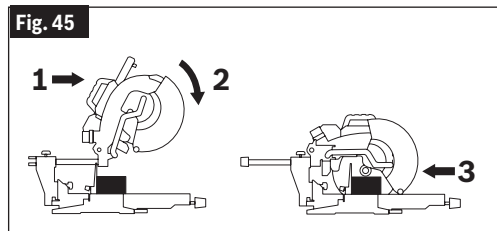
mm) de distancia de la trayectoria proyectada de la hoja de sierra.

1. Coloque el ensamblaje del cabezal de la sierra (Fig. 44, **28**) en la posición hacia ARRIBA.
2. Afloje la perilla de fijación del riel deslizante (**7**) girándola en sentido contrario al de las agujas del reloj (hacia la izquierda).
3. Con el ensamblaje del cabezal (**28**) en la posición hacia ARRIBA, muévelo completamente hacia la parte delantera y trasera para comprobar si el sistema deslizante (**35**) se mueve suavemente.
4. Posicione correctamente la pieza de trabajo y fijela firmemente con abrazaderas a la mesa (**22**) y/o al tope-guía (**12**).

Realización de un corte deslizante

1. Con el ensamblaje del cabezal (Fig. 44, **28**) en la posición hacia ARRIBA, agarre el asa principal (**1**) y mueva el ensamblaje del cabezal completamente hasta la parte delantera y alejándose del tope-guía (**12**).
2. Active el interruptor (Fig. 1, **3**) y luego baje completamente el ensamblaje del cabezal de la sierra (Fig. 44, **28**) (Fig. 45, **acciones 1 y 2**). En piezas más grandes, esta acción también puede comenzar el corte.
3. Empuje hacia abajo y hacia atrás de manera que el ensamblaje del cabezal de la sierra se mueva hacia el tope-guía (Fig. 44, **12**) y hasta la posición completamente hacia atrás hasta que complete el corte (Fig. 45, **acciones 3**).

NOTA: Si se siente una resistencia alta, no aplique una fuerza excesiva. Deje de cortar, espere hasta que la hoja se detenga e investigue el problema.



4. Sujete hacia abajo el cabezal de la sierra hasta que la hoja se detenga por completo. Devuelva el cabezal de la sierra a la posición hacia ARRIBA y retire la pieza de trabajo.

Operaciones de la sierra

Cortes a inglete

¿Qué es un corte a inglete?

- Un “corte a inglete” es un corte transversal realizado con la hoja perpendicular a la mesa horizontal (Fig. 44, **22**). La hoja no está inclinada y los indicadores de bisel están ambos en las líneas de 0°.
- Los cortes a inglete se pueden hacer en cualquier ángulo transversalmente a la pieza de trabajo dentro del intervalo de esta sierra, desde 52° a la izquierda hasta 60° a la derecha.
- La escala de ingletes (**19**) muestra el ángulo de la hoja en relación con el tope-guía de la sierra (**12**). El indicador de ingletes está sujeto a la mesa (**22**) e indica la posición de inglete de la sierra antes de hacer el corte.
- Se proporcionan diez retenes positivos (**18**) para ángulos de inglete preajustados rápidamente con precisión. Las ubicaciones son a 45°, 31,6°, 22,5°, 15° a la izquierda y a la derecha, y centro a 0°. El lado derecho tiene un retén adicional a 60°.
- Los retenes de moldura de corona a la izquierda y a la derecha están a 31,6° para realizar cortes compuestos de moldura de corona con un “ángulo de resorte” de 38° acostada en posición plana sobre la mesa. Consulte “Corte de moldura de corona” en la página 155.

- Para realizar ajustes de precisión a ángulos de inglete muy cerca de los retenes de inglete, utilice el sobrecontrol de los retenes de inglete para impedir que el retén se acople automáticamente en la ranura para retén. Consulte “Sobrecontrol de los retenes de inglete” en la página 146.
- Un corte a inglete se puede realizar ya sea como un corte de tronzado o como un corte deslizante, dependiendo de la anchura de la pieza de trabajo.

Lectura de la escala de ingletes

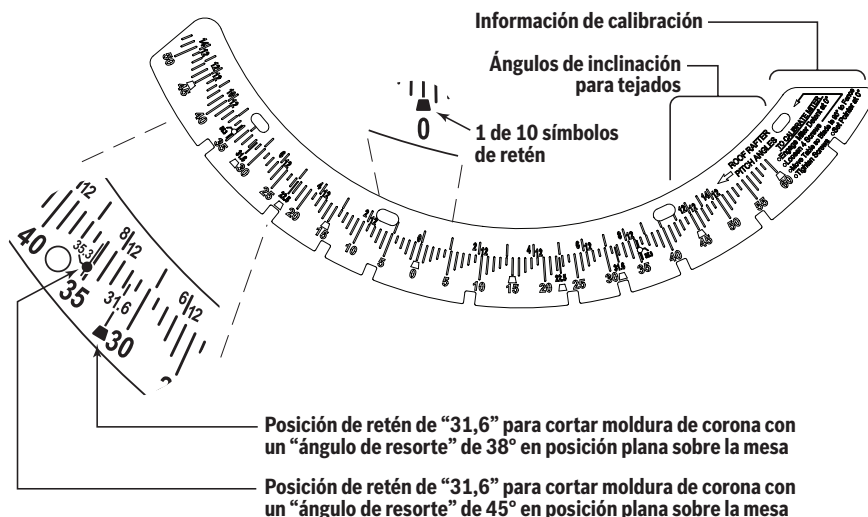
La escala de ingletes (Fig. 44, **19** et Fig. 46) utilizada en esta sierra incluye varias escalas de información para ayudar al usuario a preajustar con precisión esta sierra antes de hacer los cortes.

Información sobre los ángulos de inclinación: La sección superior de la escala de ingletes (Fig. 46) muestra los ajustes de ángulo requeridos para cortar cabios de tejado conforme al sistema de “Ángulos de inclinación”. 2/2, 4/12, 6/12, etc., son todos ángulos de inclinación. Este sistema se basa en el uso de “pulgadas” inglesas. Un tejado con un ángulo de inclinación de 6/12 equivale a una relación de “elevación” de 6 pulgadas por cada “tramo horizontal” de 12 pulgadas (Fig. 47).

Información sobre las molduras de corona: Hay ajustes de las posiciones de inglete para realizar cortes compuestos en moldura de corona en posición plana sobre la mesa. La

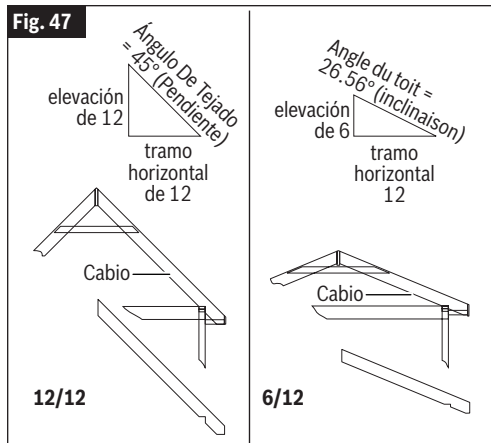
Fig. 46

Información de la escala de ingletes



Operaciones de la sierra

Fig. 47



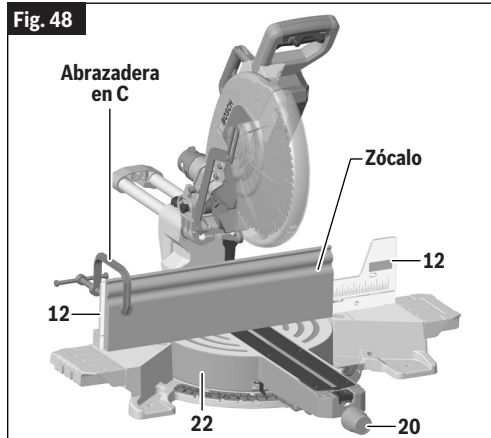
moldura de corona con un "ángulo de resorte" de 38° utiliza el ajuste de 31,6 (con retén) y la moldura de corona con un "ángulo de resorte" de 45° utiliza el ajuste de 35,3.

NOTA: Este método de corte también requiere que se ajusten ángulos de bisel específicos. Consulte "Corte de moldura de corona" en la página 155.

Corte a inglete de zócalos de 6-3/4 pulgadas (171 mm):

Esta sierra puede cortar a inglete zócalos altos de 6-3/4 pulgadas (171 mm) (Fig. 48) posicionados verticalmente contra el tope-guía (12) a cualquier ángulo de inglete desde 47° a la izquierda hasta 47° a la derecha. Todos los cortes angulados se deben hacer con el zócalo colocado en el lado izquierdo de la mesa (22). Para ciertos cortes, el zócalo se tendrá que voltear o colocar con el lado de la cara contra el tope-guía. Utilice siempre una abrazadera en C (Fig. 48) para sujetar el zócalo al tope-guía antes de hacer cortes. Acople el cierre de tronzado/corona tal y como se explica en "Sistema de retenes de inglete: Procedimiento de ajuste" en la página 133.

Fig. 48

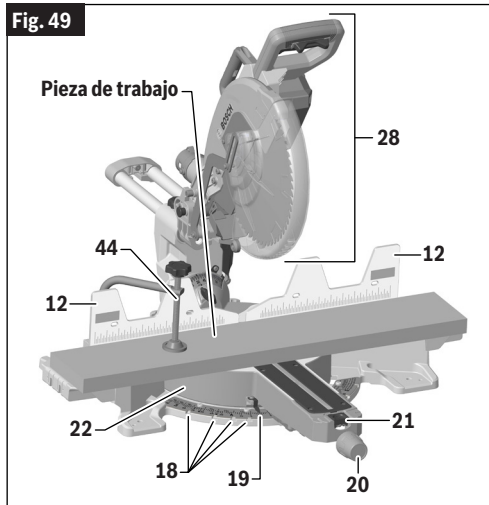


Ajuste de la sierra para hacer un corte a inglete

⚠ ADVERTENCIA Utilice una posición de fijación con abrazaderas que no interfiera con la operación. Antes de ENCENDER la herramienta, baje el ensamblaje del cabezal para asegurarse de que la abrazadera rebese el protector y el ensamblaje del cabezal sin tocarlos.

1. Consulte "Utilización del sistema de retenes de inglete" en la página 33.
2. Afloje la perilla de fijación de inglete (Fig. 49, 20). Empuje el botón de sobrecontrol de los retenes de inglete (21) y mueva la sierra hasta el ángulo deseado, utilizando ya sea los retenes (18) o la escala de ingletes (19). Apriete la perilla de fijación de inglete (20).

Fig. 49



3. Extienda el tope-guía (12) sobre el lado en el cual se va a hacer el corte. (Consulte "Soporte de la pieza de trabajo" en la página 30).
4. Posicione correctamente la pieza de trabajo. Asegúrese de que la pieza de trabajo esté firmemente sujeta a la mesa (Fig. 48, 22) con una abrazadera (Fig. 49, 44) o contra el tope-guía con una abrazadera en C (Fig. 49).
5. Siga ya sea el procedimiento de "Cortes de tronzado" en la página 147 o de "Cortes deslizantes" en la página 148.
6. Espere hasta que la hoja de sierra se detenga por completo antes de devolver el ensamblaje del cabezal (Fig. 49, 28) a la posición elevada y luego retire la pieza de trabajo.

Operaciones de la sierra

Cortes en bisel

¿Qué es un corte en bisel?

Un "corte en bisel" es un corte transversal realizado con la hoja perpendicular al tope-guía (Fig. 49, **12**) y con la mesa (**22**) ajustada a un inglete de 0° . La hoja se puede inclinar hasta cualquier ángulo dentro del intervalo de la sierra: 47° a la izquierda y 47° a la derecha respecto a la vertical.

La escala de biseles tiene un tamaño y una posición que facilitan su lectura (Fig. 50, **10** y Fig. 51). La palanca de fijación de bisel (Fig. 52, **34**) es para bloquear y desbloquear diversos ajustes.

Los indicadores de tope de bisel rotativos (Fig. 50 y Fig. 52, **33**) le permiten a usted ajustar los topes de bisel más comunes: $33,9^\circ$, 45° y 47° a la derecha y a la izquierda (Fig. 51). El tope de bisel a $33,9^\circ$ es para cortar moldura de corona con un "ángulo de resorte" de 38° en posición plana sobre la mesa. Para obtener más información, consulte "Cortes compuestos" en la página 153.

Fig. 50

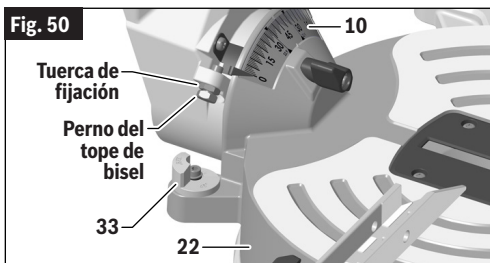


Fig. 52

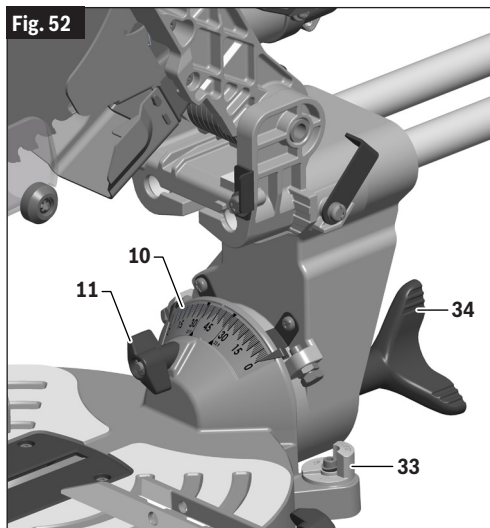
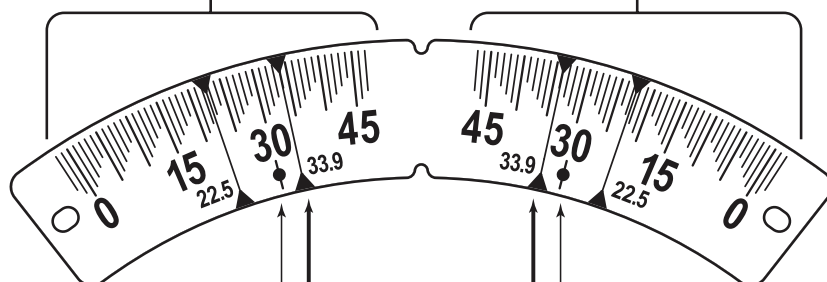


Fig. 51

Información de la escala de biseles

Observe mientras inclina hacia la derecha

Observe mientras inclina hacia la izquierda



30

Las posiciones de "30" son para cortar moldura de corona con un "ángulo de resorte" de 38° en posición plana sobre la mesa

Las posiciones de "33,9" son para cortar moldura de corona con un "ángulo de resorte" de 45° en posición plana sobre la mesa

Nota: La sierra tiene un dispositivo de retén de $33,9$ para mantenerla automáticamente en este ajuste de ángulo de bisel

Operaciones de la sierra

Ajuste de la sierra para hacer un corte en bisel

1. Extienda la extensión de la base y el tope-guía. Consulte "Topes-guía deslizantes" en la página 142.

Nota: Asegúrese de mover el tope-guía deslizante (Fig. 49, **12**) alejándolo de la hoja para evitar cortar en el tope-guía cuando corte en bisel. Es posible que sea necesario retirar el tope-guía deslizante cuando realice cortes en bisel extremos y la mayoría de los cortes compuestos. Consulte "Topes-guía deslizantes" en la página 142.

2. Rote la perilla de fijación de bisel (Fig. 52, **34**) en el sentido de las agujas del reloj para desbloquear el ensamblaje del cabezal.
3. Ajuste el indicador de tope de bisel izquierdo o derecho (**33**) a una de las tres ubicaciones preajustadas, 33,9°, 45° y 47°, o incline el ensamblaje del cabezal (Fig. 49, **28**) hasta que alcance el ángulo deseado en la escala de biselés (Fig. 51 y Fig. 52, **10**)

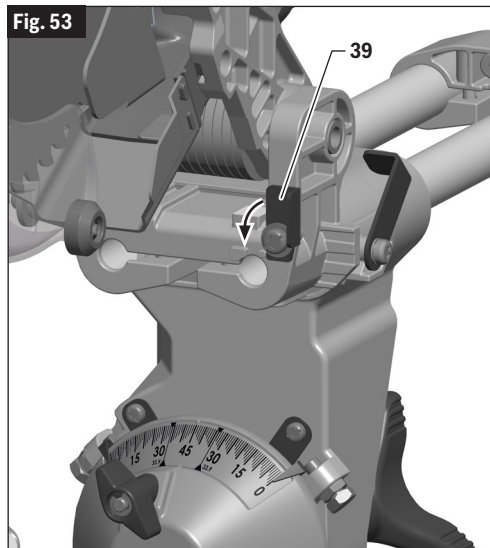
Nota: Para biselar la sierra hacia la derecha, la perilla selectora del intervalo de bisel se debe jalar hacia delante (Fig. 52, **11**).

4. Fije el bisel rotando la perilla de fijación de bisel (Fig. 52, **34**) en sentido contrario al de las agujas del reloj.
5. Siga ya sea el procedimiento de "Cortes de tronzado" en la página 147 o de "Cortes deslizantes" en la página 148.

Tope 2x@45

Antes de hacer un corte en bisel a la derecha en una pieza de trabajo que tenga un grosor superior a 1 pulgada (26 mm), acople el tope 2x@45 (Fig. 53, **39**) rotando la palanca en sentido contrario al de las agujas del reloj.

El tope 2x@45 no tiene que estar acoplado para piezas de trabajo de menos de 1 pulgada (26 mm) de grosor.



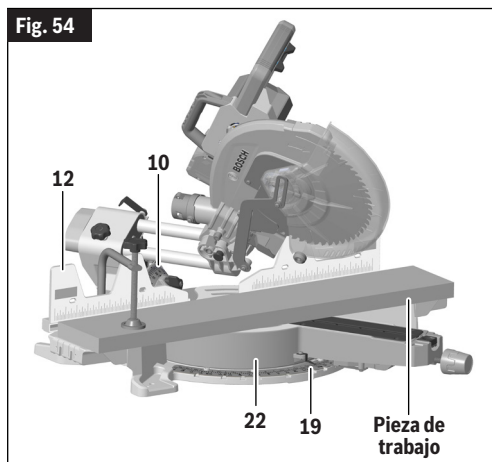
Operaciones de la sierra

Cortes compuestos

⚠ ADVERTENCIA Para realizar cortes compuestos, ajuste el tope-guía deslizable (Fig. 54, 12) de manera que esté fuera de la trayectoria de la hoja y el sistema de protectores.

⚠ ADVERTENCIA Antes de aserrar, asegúrese siempre de que no haya interferencia entre las piezas móviles y las piezas estacionarias de la sierra. Es posible que estas combinaciones de inglete y bisel causen interferencia entre las piezas deslizantes y las piezas estacionarias de la sierra o entre las piezas deslizantes y la pieza de trabajo.

Fig. 54



¿Qué es un corte compuesto?

- Un "corte compuesto" es un corte transversal sencillo realizado con la hoja de sierra preajustada a dos ángulos, combinando un ángulo de inglete (respecto al tope-guía vertical) con un ángulo de bisel (respecto a la mesa horizontal).
- Los ángulos de ingletes serán con la mesa rotada alejándose de 0° y dentro del intervalo de esta sierra de 52° a la izquierda a 60° a la derecha.
- Un ángulo de bisel es cuando la hoja está inclinada alejándose de 0°. El intervalo de esta sierra es de 47° a la izquierda a 47° a la derecha.
- Un corte compuesto se puede hacer como un corte de tronzado o como un corte deslizante. (Consulte "Corte de tronzado" en la página 147 o de "Cortes deslizantes" en la página 148).

Realización de un corte compuesto

⚠ ADVERTENCIA Utilice una posición de fijación con abrazaderas que no interfiera con la operación. Antes de ENCENDER la herramienta, baje el ensamblaje del cabezal para asegurarse de que la abrazadera rebese el protector y el ensamblaje del cabezal sin tocarlos.

⚠ ADVERTENCIA Tenga en cuenta la trayectoria de la hoja de sierra. Haga una pasada de prueba con el paquete de batería desconectado y la sierra APAGADA, realizando un ciclo de corte simulado, y observe la trayectoria proyectada de la hoja de sierra. Mantenga las manos al menos a seis (6) pulgadas (152 mm) de distancia de la trayectoria proyectada de la hoja de sierra.

Siga estas instrucciones para hacer el corte compuesto:

1. Extienda el tope-guía (Fig. 54, 12).
2. Posicione correctamente la pieza de trabajo. Asegúrese de que la pieza de trabajo esté firmemente sujeta con abrazaderas contra la mesa (22) o el tope-guía (12).
3. Ajuste los ángulos de inglete para realizar cortes a inglete de acuerdo con las instrucciones de "Cortes a inglete" en la página 149, y ajuste los ángulos de bisel para realizar cortes en bisel de acuerdo con las instrucciones de "Cortes en bisel" en la página 151.
4. Siga los procedimientos de "Corte de tronzado" en la página 147 o de "Cortes deslizantes" en la página 148.
5. Espere hasta que la hoja de sierra se detenga por completo antes de devolver el ensamblaje del cabezal (Fig. 49, 28) a la posición elevada y luego retire la pieza de trabajo.

El corte de moldura de corona en posición plana sobre la mesa (22) requiere cortes compuestos. Consulte "Corte de moldura de corona" en la página 155.

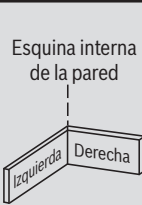

Operaciones de la sierra

Corte de moldura de base

La moldura de base se puede cortar en posición vertical contra el tope-guía (Fig. 54, **12**) o en posición plana sobre la mesa (**22**). El tamaño máximo que puede estar en posición vertical sobre el tope-guía es de 6-3/4 pulgadas (171 mm), y en posición plana sobre la mesa es de 13-1/2 pulgadas (343 mm).

Consulte la tabla "Instrucciones de corte de moldura de base" que aparece a continuación para obtener consejos útiles sobre cómo cortar moldura de base para esquinas que tengan ángulos de 90°.

El corte de moldura de base se puede hacer ya sea como corte de tronzado o como corte deslizando, dependiendo del tamaño de la pieza de trabajo. (Consulte "Cortes de tronzado" en la página 147 o de "Cortes deslizando" en la página 148.)

Instrucciones de corte de moldura de base					
UBICACIÓN DE LA MOLDURA SOBRE LA SIERRA →		Moldura en posición vertical: La parte trasera de la moldura está contra el tope-guía		Moldura en posición horizontal: La parte trasera de la moldura está plana sobre la mesa	
Ángulo de bisel →		Bisel = 0°		Bisel = 45°	
Pieza de moldura que se está cortando →		A la izquierda de la esquina	A la derecha de las esquina	A la izquierda de la esquina	A la derecha de la esquina
 <p>Esquina interna de la pared</p>	Ángulo de inglete	A la izquierda a 45°	A droite à 45°	0°	0°
	Posición de la moldura sobre la sierra	Parte inferior contra la mesa	Parte inferior contra la mesa	Parte superior contra el tope-guía	Parte superior contra el tope-guía
	Lado acabado	Conserve el lado izquierdo del corte	Conserve el lado derecho del corte	Conserve el lado izquierdo del corte	Conserve el lado izquierdo del corte
 <p>Esquina externa de la pared</p>	Ángulo de inglete	A la derecha a 45°	A la izquierda a 45°	0°	0°
	Posición de la moldura sobre la sierra	Parte inferior contra la mesa	Parte inferior contra la mesa	Le bas contre le guide	Parte inferior contra el tope-guía
	Lado acabado	Conserve el lado izquierdo del corte	Conserve el lado derecho del corte	Conserve el lado derecho del corte	Conserve el lado derecho del corte

Operaciones de la sierra

Corte de moldura de corona

Los cortes de moldura de corona se deben posicionar correctamente para que encajen exactamente.

Hay dos maneras de cortar moldura de corona: en posición plana sobre la mesa o angulada respecto a la mesa y al tope-guía.

Consulte la tabla "Ajustes de inglete y bisel para cortes de moldura de corona estándar" que aparece a continuación para obtener consejos útiles sobre cómo cortar moldura de corona para esquinas que tengan ángulos de 90°.

El "ángulo de resorte" de la moldura de corona es el ángulo entre la parte trasera de la moldura y la superficie plana inferior que encaja contra la pared.

Esta sierra ingletadora tiene retenes de inglete especiales a 31,6° y retenes de bisel a 33,9°. Estos retenes le permiten a usted posicionar fácilmente la mayoría de las molduras de corona en posición plana sobre la mesa (22) y hacer cortes precisos para esquinas de 90°.

NOTA: Estos retenes no se pueden utilizar con moldura de corona de 45°. Estos retenes son solo para utilizarse con moldura de corona que tenga un "ángulo de resorte" de 38°.

Consulte también "Moldura de corona acostada en posición plana sobre la mesa" en la página 157 para obtener los ángulos de inglete y de bisel para cortar moldura de corona que tenga ángulos de resorte de 38° y 45°. La tabla "Ajustes de inglete y bisel para cortes de moldura de corona estándar" que aparece a continuación indica los ajustes exactos de inglete y bisel para una amplia gama de ángulos de esquina.

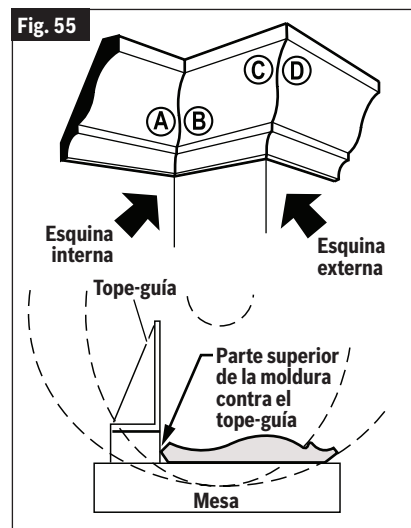
Aunque estos ángulos son estándares, la mayoría de los cuartos no tiene ángulos de exactamente 90°; por lo tanto, usted tendrá que perfeccionar los ajustes.

Los localizadores/transportadores de ángulos digitales Bosch GAM 220 MF y GAM 270 MFL miden ángulos de resorte y ángulos de esquina, y luego determinan automáticamente los ajustes exactos de inglete y bisel necesarios para hacer que cada corte de moldura de corona encaje perfectamente.

Ajustes de inglete y bisel para cortes de moldura de corona estándar (cuando la pieza de trabajo está angulada contra el tope-guía)

Cualquier moldura de corona hasta 6 pulgadas (152 mm)		
Nota: Coloque siempre el borde inferior contra el tope-guía	Ajuste de inglete (mesa)	Ajuste de bisel (inclinación)
Esquina interna		
Extremo izquierdo (Fig. 55, A) Utilice el extremo izquierdo del corte	45° a la derecha	0° a la izquierda
Extremo derecho (Fig. 55, B) Utilice el extremo derecho del corte	45° a la izquierda	0° a la derecha
Esquina externa		
Extremo izquierdo (Fig. 55, C) Utilice el extremo izquierdo del corte	45° a la izquierda	0° a la derecha
Extremo derecho (Fig. 55, D) Utilice el extremo derecho del corte	45° a la derecha	0° a la izquierda

Suposiciones: La moldura está esmerilada uniformemente. La esquina tiene 90°. Para otros ángulos de esquina, divida la medición real por 2.



Operaciones de la sierra

Moldura de corona angulada con la mesa y el tope-guía

⚠ ADVERTENCIA Tenga en cuenta la trayectoria de la hoja de sierra. Haga una pasada de prueba con el paquete de batería desconectado y la sierra APAGADA, realizando un ciclo de corte simulado, y observe la trayectoria proyectada de la hoja de sierra. Mantenga las manos al menos a seis (6) pulgadas (152 mm) de distancia de la trayectoria proyectada de la hoja de sierra.

El método preferido para cortar moldura de corona con esta sierra es con la moldura acostada en posición plana sobre la mesa.

La ventaja respecto a cortar la moldura angulada contra el tope-guía (Fig. 56, **12**) es que no se requiere ajuste de bisel. Solo se ajusta el ángulo de inglete.

La anchura máxima de la moldura de corona que se puede cortar y angular respecto a la mesa y el tope-guía es 6-1/2 pulgadas (165 mm).

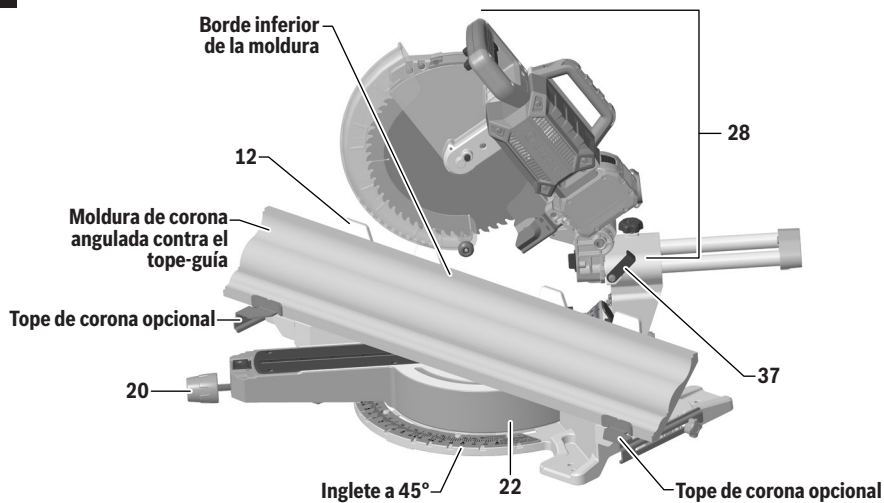
Cuando corte moldura de corona de esta manera, se recomienda comprar y utilizar el conjunto de topes de corona opcional (Fig. 56). Active el cierre de tronzado/corona (**37**).

Siga estas instrucciones para cortar moldura de corona angulada respecto a la mesa y al tope-guía.

1. Posicione la moldura de manera que la parte inferior (Fig. 56), la parte decorativa, que se instala contra la pared, esté contra el tope-guía (**12**).
2. Para una esquina de 90°, ajuste el ángulo de inglete utilizando el cuadro que aparece a continuación. Apriete la perilla de fijación de inglete (**20**).
3. Soporte la moldura de corona contra el tope-guía (**12**). (Consulte "Posición del cuerpo y las manos" en la página 28).
4. Siga ya sea el procedimiento de "Cortes de tronzado" en la página 147 o de "Cortes deslizantes" en la página 148.
5. Espere hasta que la hoja de sierra se detenga por completo antes de devolver el ensamblaje del cabezal (**28**) a la posición elevada y luego retire la pieza de trabajo.

NOTA: Realice siempre un corte de prueba utilizando material de desecho para confirmar los ángulos correctos.

Fig. 56



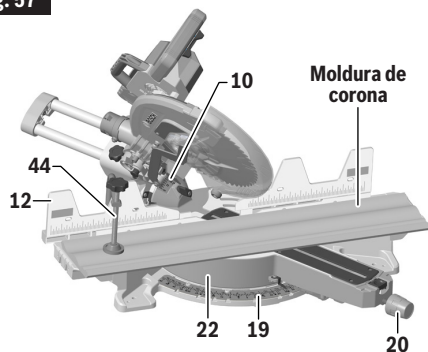
Operaciones de la sierra

Moldura de corona acostada en posición plana sobre la mesa

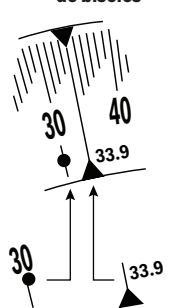
⚠️ ADVERTENCIA Utilice una posición de fijación con abrazaderas que no interfiera con la operación. Antes de ENCENDER la herramienta, baje el ensamblaje del cabezal para asegurarse de que la abrazadera rebase el protector y el ensamblaje del cabezal sin tocarlos.

⚠️ ADVERTENCIA Tenga en cuenta la trayectoria de la hoja de sierra. Haga una pasada de prueba con el paquete de batería desconectado y la sierra APAGADA, realizando un ciclo de corte simulado, y observe la trayectoria proyectada de la hoja de sierra. Mantenga las manos al menos a seis (6) pulgadas (152 mm) de distancia de la trayectoria proyectada de la hoja de sierra.

Fig. 57



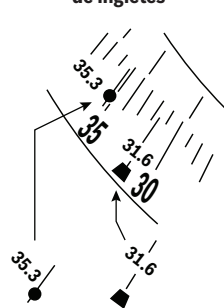
Ajustes de la escala de biseles



Para un ángulo de resorte de 45°

Para un ángulo de resorte de 38°

Ajustes de la escala de ingletes



Para un ángulo de resorte de 45°

Para un ángulo de resorte de 38°

NOTA: Posicione la pieza de trabajo con su parte trasera en posición plana sobre la mesa de la sierra (Fig. 57, 22).

Coloque siempre el borde superior de la moldura contra el tope-guía (12). (El borde decorativo está en la parte inferior de la moldura de corona).

El "ángulo de resorte" se refiere al ángulo entre la pared y la moldura de corona.

El corte de moldura de corona en posición plana sobre la mesa (22) se puede hacer ya sea como corte de tronzado o como corte deslizante, dependiendo de la anchura de la pieza de trabajo.

Para piezas de corte estrechas cuando corte corona en posición plana sobre la mesa, usted necesitará un tope-guía auxiliar especial. Consulte "Elaboración de un tope-guía auxiliar" en la página 159.

1. Para una esquina de 90°, ajuste los ángulos de bisel y de inglete, consulte la tabla "Ajustes de inglete y bisel para cortes de moldura de corona estándar". Apriete la perilla de fijación de inglete (20) y la perilla de fijación de bisel (Fig. 52, 34).
2. Posicione la moldura sobre la mesa de la sierra (Fig. 57, 22). Fije la pieza de trabajo en la posición correcta utilizando la abrazadera rápida (44).
3. Siga ya sea el procedimiento de "Cortes de tronzado" en la página 147 o de "Cortes deslizantes" en la página 148.
4. Espere hasta que la hoja de sierra se detenga por completo antes de devolver el ensamblaje del cabezal (Fig. 56, 28) a la posición elevada y luego retire la pieza de trabajo.

NOTA: Realice siempre un corte utilizando material de desecho para confirmar los ángulos correctos.

Consulte la tabla "Ajustes de inglete y bisel para cortes de moldura de corona estándar (con la moldura en posición plana sobre la mesa)" para obtener consejos útiles sobre cómo cortar moldura de corona para esquinas que tengan ángulos de 90°.

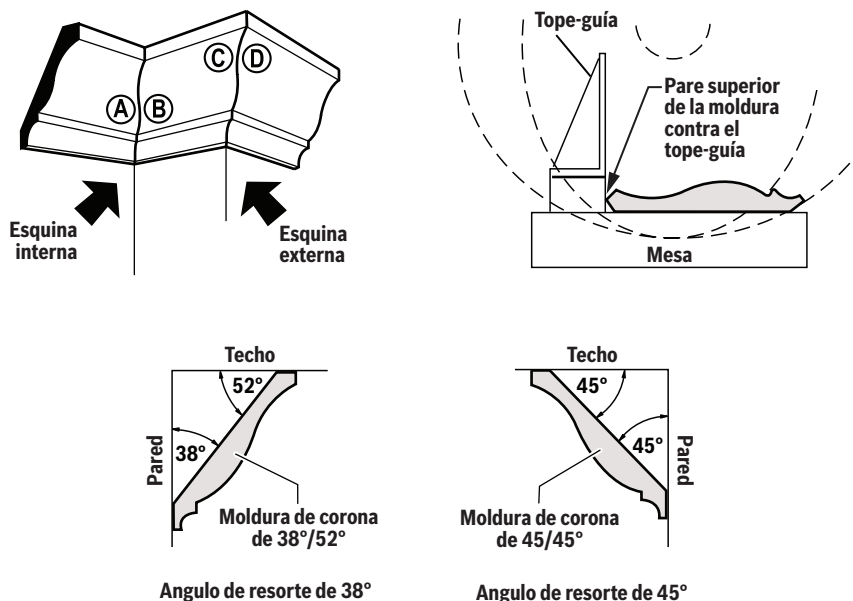
Operaciones de la sierra

Ajustes de inglete y bisel para cortes de moldura de corona estándar (con la moldura en posición plana sobre la mesa)

Suposiciones: La moldura está esmerilada uniformemente. La esquina tiene exactamente 90°.

Nota: Coloque siempre el borde superior contra el tope-guía	Ángulo de resorte de moldura de 38°		Molding Spring Angle 45°	
	Ajuste de inglete (mesa)	Ajuste de bisel (inclinación)	Ajuste de inglete (mesa)	Ajuste de bisel (inclinación)
Esquina interna				
Extremo izquierdo (Fig. 58, A) Utilice el extremo izquierdo del corte	31,6° a la derecha	33,9° a la izquierda	35,3° a la derecha	30° a la izquierda
Extremo derecho (Fig. 58, B) Utilice el extremo derecho del corte	31,6° a la izquierda	33,9° a la derecha	35,3° a la izquierda	30° a la derecha
Esquina externa				
Extremo izquierdo (Fig. 58, C) Utilice el extremo izquierdo del corte	31,6° a la izquierda	33,9° a la derecha	35,3° à gauche	30° a la derecha
Extremo derecho (Fig. 58, D) Utilice el extremo derecho del corte	31,6° a la derecha	33,9° a la izquierda	35,3° a la derecha	30° a la izquierda

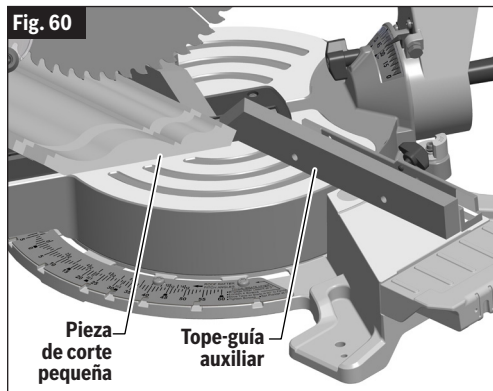
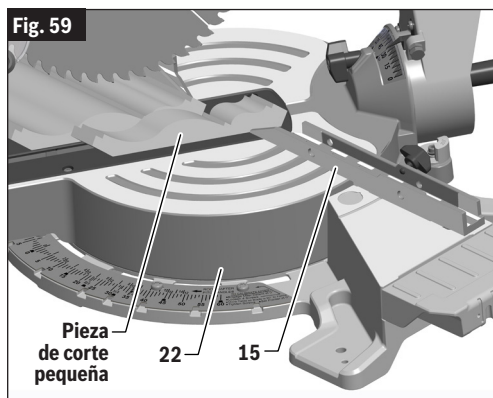
Fig. 58



Operaciones de la sierra

Tope-guía auxiliar para moldura de corona

⚠ ADVERTENCIA Cuando haga un corte compuesto en una moldura que esté acostada en posición plana sobre la mesa, es posible que las piezas de corte estrechas, de 2 pulgadas (50 mm) o menos de ancho, sean propulsadas a alta velocidad sobre el tope-guía y más allá de la parte trasera de la herramienta (Fig. 59). Utilice un tope-guía auxiliar (Fig. 60) tal y como se indica a continuación.



Se utiliza un tope-guía auxiliar (Fig. 60) para añadir soporte a las piezas de trabajo de corte, tal como moldura de corona grande cuando se corte en posición plana sobre la mesa (Fig. 59, 22). Esto reducirá el astillamiento y el movimiento de la pieza de madera de corte no soportada después de hacer el corte.

Elaboración de un tope-guía auxiliar

Piezas requeridas:

- Tabla de madera (descrita a continuación)
- 4 – Tornillos de cabeza plana para metales de 1/4 de pulgada de diámetro (M6) y 2-1/2 pulgadas (65 mm) de longitud
- 4 – Arandelas planas de 1/4 de pulgada (M6)
- 4 – Tuercas

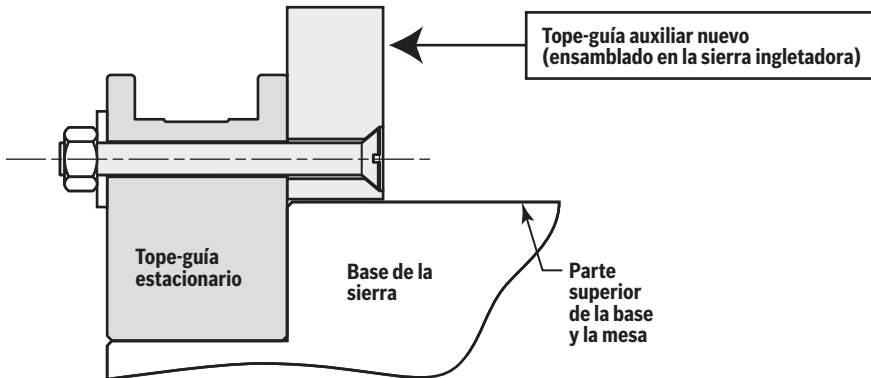
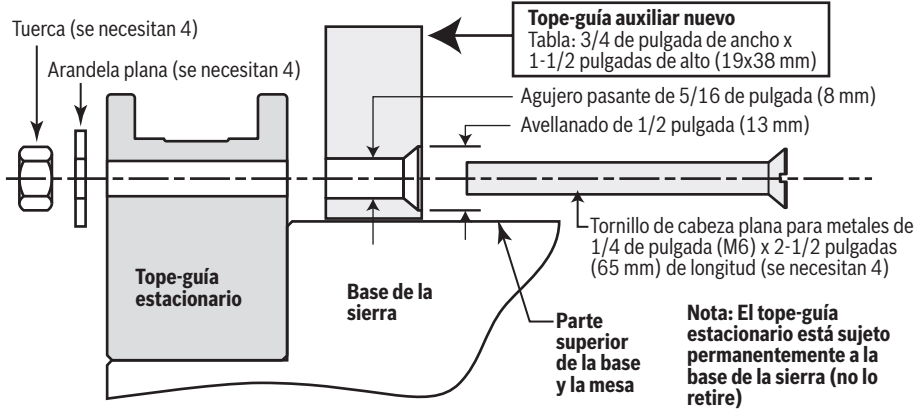
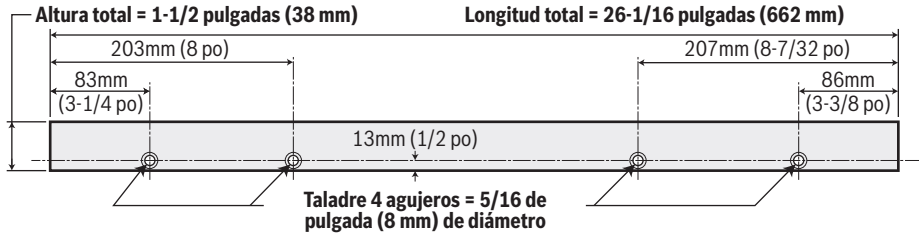
1. Corte una tabla de madera de 1 x 2 pulgadas nominales para que tenga una longitud de 26-1/16 pulgadas (662 mm).

NOTA: 1 x 2 pulgadas nominales son iguales a 3/4 de pulgada x 1-1/2 pulgadas (19x38 mm). Esta tabla se puede sustituir por madera contrachapada de 3/4 de pulgada (19 mm) cortada con el tamaño adecuado.

2. Taladre cuatro agujeros a través de la tabla utilizando una broca taladradora de 5/16 de pulgada (8 mm) de diámetro. Avellane los agujeros con suficiente profundidad para que los tornillos de cabeza plana descansen debajo de la superficie de trabajo delantera. Utilice una broca taladradora de 1/2 pulgada (13 mm) de diámetro (Fig. 61).
3. Retire los tope-guía deslizantes de la sierra. Consulte "Tope-guía deslizantes" en la página 142.
4. Coloque los tornillos de cabeza plana a través de los agujeros ubicados en el tope-guía auxiliar ubicado sobre la herramienta.
5. Coloque las arandelas y las tuercas en las roscas de los tornillos y contra el tope-guía auxiliar. Apriete las tuercas.

Operaciones de la sierra

Fig. 61



Operaciones de la sierra

Uso del tope-guía auxiliar por primera vez

⚠ ADVERTENCIA Tenga en cuenta la trayectoria de la hoja de sierra. Haga una pasada de prueba con la sierra APAGADA, realizando un ciclo de corte simulado, y observe la trayectoria proyectada de la hoja de sierra. Mantenga las manos al menos a seis (6) pulgadas (152 mm) de distancia de la trayectoria proyectada de la hoja de sierra.

NOTA: La primera vez que se utilice el tope-guía auxiliar, la hoja de sierra lo atravesará. El corte pasante crea una holgura mínima que reduce el astillamiento en la pieza de trabajo. Ajuste el ángulo de inglete y el ángulo de bisel requeridos antes de hacer el primer corte.

Fije con abrazaderas la pieza de trabajo y luego haga el corte. Ejemplo: corte compuesto de moldura de corona grande en posición plana sobre la mesa (Fig. 57).

Tope-guía auxiliar: La utilización de un tope-guía auxiliar cuando corte moldura de corona en posición plana sobre la mesa reducirá el astillamiento de la pieza de trabajo y el movimiento de las piezas de corte pequeñas. Antes de instalar el tope-guía auxiliar, retire los tope-guía deslizantes de la sierra. Consulte "Topes-guía deslizantes" en la página 142.

Construya un tope-guía auxiliar siguiendo el patrón de la Fig. 61. Material: Madera de 3/4 de pulgada x 1-1/2 pulgadas (19x38 mm).

Añada 4 agujeros de acuerdo con las dimensiones del patrón -o- Añada agujeros siguiendo los pasos siguientes:

1. Corte madera con las dimensiones exteriores mostradas y sujétela temporalmente al tope-guía estacionario de la sierra (Fig. 57, 12) utilizando dos abrazaderas en C.
2. Utilice una broca taladradora de 1/4 de pulgada (6 mm) para taladrar primero a través de los agujeros existentes en la parte trasera del tope-guía estacionario (12) y luego a través de la madera.
3. Retire la madera, avellane la parte delantera de la madera y fíjela al tope-guía de la sierra (12) con los herrajes mostrados en la Fig. 61.

Cortes especiales

⚠ ADVERTENCIA Utilice una posición de fijación con abrazaderas que no interfiera con la operación. Antes de encender la herramienta, baje el ensamblaje del cabezal para asegurarse de que la abrazadera rebase al menos a seis (6) pulgadas de la cabeza del cabezal sin tocarlos.

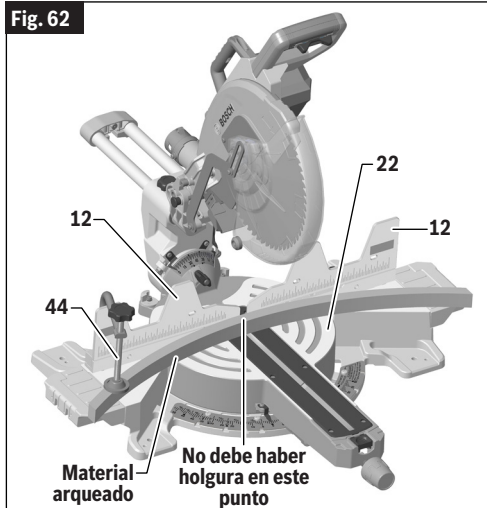
⚠ ADVERTENCIA Tenga en cuenta la trayectoria de la hoja de sierra. Haga una pasada de prueba con el paquete de batería desconectado y la sierra APAGADA, realizando un ciclo de corte simulado, y observe la trayectoria proyectada de la hoja de sierra. Mantenga las manos al menos a seis (6) pulgadas (152 mm) de distancia de la trayectoria proyectada de la hoja de sierra.

⚠ ADVERTENCIA Para proporcionar suficiente espaciamiento (6 pulgadas [152 mm] como mínimo) desde la mano hasta la hoja de sierra, extienda el tope-guía deslizante y las extensiones de la base cuando haga cortes extremos en bisel, a inglete o compuestos.

El corte de material arqueado y el corte de material redondo son solo dos ejemplos de cortes especiales.

Corte de material arqueado

Si la pieza de trabajo está arqueada o combada, fíjela con una abrazadera con la cara exterior arqueada orientada hacia el tope-guía (Fig. 62, 12). Asegúrese siempre de que no haya holgura entre la pieza de trabajo, el tope-guía y la mesa (22) a lo largo de la línea de corte. Las piezas de trabajo dobladas o



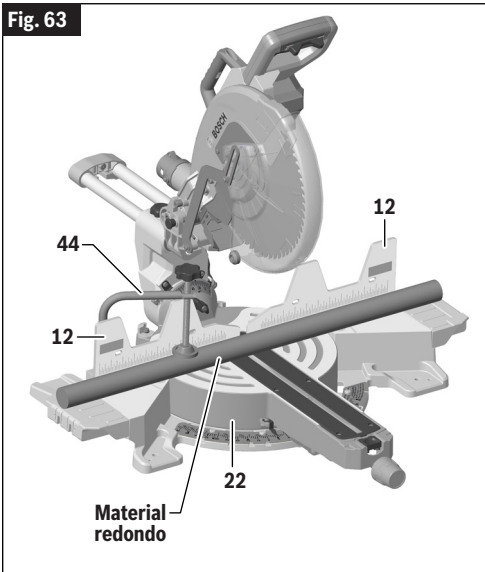
Operaciones de la sierra

combadas pueden torcerse u oscilar y es posible que causen atoramiento en la hoja de sierra que gira mientras corta.

Corte de material redondo o con forma irregular

Para material redondo, tal como varillas con espiga o tubos, utilice siempre una abrazadera (Fig. 63, 44) o un dispositivo de sujeción diseñado para sujetar la pieza de trabajo firmemente contra el tope-guía (12) y la mesa (22). Las varillas tienen tendencia a rodar mientras son cortadas, haciendo que la hoja "se clave" y jale la pieza de trabajo con la mano del operador hacia la hoja.

Fig. 63



Mantenimiento y lubricación

⚠ ADVERTENCIA Para evitar posibles lesiones, desconecte el paquete de batería antes de realizar cualquier ensamblaje, ajuste o reparación.

Servicio de ajustes y reparaciones

⚠ ADVERTENCIA Todo el servicio de ajustes y reparaciones de la herramienta deberá ser realizado por un Centro de Servicio de Fábrica Bosch o una Estación de Servicio Bosch Autorizada.

Es posible que el mantenimiento preventivo realizado por personal no autorizado dé lugar a una colocación incorrecta de los cables y componentes internos, lo cual podría causar un peligro grave.

Baterías

Esté alerta a paquetes de batería que se estén acercando al final de su vida útil. Si observa una disminución del rendimiento de la herramienta o un tiempo de funcionamiento significativamente más corto entre cargas, entonces es momento de reemplazar el paquete de batería. Si no se hace así, el resultado puede ser que la herramienta funcione incorrectamente o que se causen daños al cargador.

Cuidado de las hojas

Las hojas se desafilan, incluso al cortar madera de construcción normal. Si encuentra que tiene que forzar la sierra hacia adelante para cortar en lugar de simplemente guiarla a través del corte, lo más probable es que la hoja esté desafilada o recubierta con resina de madera.

Cuando limpie la hoja para eliminar goma y resina de madera, desenchufe la sierra y retire la hoja. Recuerde que las hojas están diseñadas para cortar, por lo que deberá manejarlas con cuidado. Limpie la hoja usando un paño con queroseno o un solvente similar para eliminar la goma y la resina. A menos que tenga experiencia en afilar hojas, recomendamos que no lo intente.

Lubricación de la herramienta

Es posible que el mantenimiento preventivo realizado por personal no autorizado dé lugar a una colocación incorrecta de los cables y componentes internos, lo cual podría causar un peligro grave. Recomendamos que todo el servicio de ajustes y reparaciones de la herramienta sea realizado por un Centro de Servicio de Fábrica Bosch o una Estación de Servicio Bosch Autorizada.

Lubrique periódicamente las piezas móviles con una silicona o con un rociador de aceite ligero. No utilice grasa, porque tiende a atraer y retener el aserrín.

Rodamientos

Todos los rodamientos de esta herramienta están lubricados con una cantidad suficiente de lubricante de alto grado para toda la vida útil de la unidad en condiciones de utilización normales. Por lo tanto, no se requiere lubricación adicional.

Limpieza

⚠ ADVERTENCIA Ciertos agentes de limpieza y solventes dañan las piezas de plástico. Algunos de estos son: gasolina, tetracloruro de carbono, solventes de limpieza clorados, amoníaco y detergentes domésticos que contienen amoníaco.

Las aberturas de ventilación y las palancas de interruptor se deben mantener limpias y libres de materia extraña. Utilice un cepillo para eliminar el polvo y los residuos de las aberturas de ventilación y los mecanismos de los protectores. No intente limpiar insertando objetos puntiagudos a través de las aberturas.

Compruebe regularmente el protector inferior y todas las piezas móviles para asegurarse de que estén funcionando correctamente. Compruebe regularmente si el protector inferior se puede mover desde la posición completamente abierta hasta la posición completamente cerrada sin interferencia. Asegúrese de que el protector inferior se mueve hasta la posición completamente cerrada al mover el asa principal hasta la posición elevada.

Resolución de problemas

Guía de resolución de problemas eléctricos

PROBLEMA	CAUSA	MEDIDA CORRECTIVA
El freno no detiene la hoja en aproximadamente 5 segundos.	<ol style="list-style-type: none">1. El perno de la hoja está flojo.2. Otra.	<ol style="list-style-type: none">1. Apriete el perno de la hoja.2. Servicio autorizado.
El motor no arranca.	<ol style="list-style-type: none">1. El paquete de batería no está cargado.2. El paquete de batería no está instalado correctamente.3. La temperatura del paquete de batería es demasiado caliente o fría para el funcionamiento.4. La protección electrónica del motor ha apagado la herramienta.5. El interruptor está quemado.6. Otra.	<ol style="list-style-type: none">1. Cargue la batería si es necesario.2. Confirme que la batería está bloqueada y fija en la herramienta.3. Deje que la batería se asiente unos minutos o hasta que alcance la temperatura de funcionamiento normal.4. Retire la batería y reemplácela. Deje que la herramienta se asiente unos minutos o hasta que alcance la temperatura de funcionamiento normal.5. Haga que el interruptor sea reemplazado por un Centro de Servicio Bosch Autorizado o una Estación de Servicio Bosch Autorizada.6. Servicio autorizado.
La luz LED parpadea, el motor no arranca.	<ol style="list-style-type: none">1. La herramienta está sobrecalentada.2. La batería está sobrecalentada.	<ol style="list-style-type: none">1. Deje que la herramienta se enfríe.2. Cambie la batería.

Resolución de problemas

Guía de resolución de problemas generales

PROBLEMA	CAUSA	MEDIDA CORRECTIVA
El ensamblaje del cabezal no se inclina en bisel hasta la posición deseada.	<ol style="list-style-type: none"> 1. El pasador de retenes de bisel está acoplado y fija el ángulo de bisel a 33,9°. 2. El ajuste de la perilla selectora del intervalo de bisel limita el movimiento. 	<ol style="list-style-type: none"> 1. Jale hacia fuera el pasador de retenes de bisel a 33,9° y luego rote el pasador 1/4 de vuelta para mantenerlo fuera. 2. Cambie la posición de la perilla selectora del intervalo de bisel. Consulte las páginas (Fig. 23 en la página 135, 33).
La hoja choca con la mesa.	Desalineación.	Servicio autorizado.
El ángulo de corte no es preciso.	Los topes de ángulo a 0° o 45° necesitan ajuste.	Consulte la sección "Ajustes" en la página 132.
No se puede rotar la mesa para cambiar el ángulo de inglete.	<ol style="list-style-type: none"> 1. La perilla de fijación de inglete está apretada. 2. La palanca de retenes de inglete está acoplada con un retén (ranura) en la placa de retenes. 3. Acumulación de aserrín. 	<ol style="list-style-type: none"> 1. Gire la perilla de fijación de inglete en sentido contrario al de las agujas del reloj para aflojarla. 2. Desacople el sistema de retenes de la ranura para retén. Consulte "Sobrecontrol de los retenes de inglete" en la página 146. 3. Aspire o sople el polvo alrededor de la mesa giratoria. Use protección ocular.
El ensamblaje del cabezal no sube completamente o el protector de la hoja no se cierra completamente.	<ol style="list-style-type: none"> 1. El pasador de fijación del ensamblaje del cabezal está acoplado. 2. Acumulación de aserrín. 3. Acumulación de aserrín. 	<ol style="list-style-type: none"> 1. Jale hacia fuera el pasador de fijación del ensamblaje del cabezal, permitiendo que el ensamblaje del cabezal suba. Consulte "Para desacoplar el pasador de fijación del ensamblaje del cabezal" en la página 132. 2. Limpie el ensamblaje del cabezal. 3. Servicio autorizado.
<p>La hoja se engancha, se atora, quema la madera.</p> <p>Cortes bastos.</p>	<ol style="list-style-type: none"> 1. Funcionamiento incorrecto. 2. Hoja desafilada. 3. Hoja incorrecta. 4. Hoja doblada. 	<ol style="list-style-type: none"> 1. Consulte la sección "Operaciones de la sierra" en la página 145. 2. Reemplace o afile la hoja. 3. Reemplace la hoja por una hoja de 12 pulgadas (305 mm) de diámetro diseñada para el material que se esté cortando. 4. Reemplace la hoja.

Resolución de problemas

PROBLÈME	CAUSA	MEDIDA CORRECTIVA
El ensamblaje del cabezal se desliza hacia delante y hacia atrás cuando se realiza un corte de tronzado.	La perilla de fijación del riel deslizante ha sido aflojada.	Apriete la perilla de fijación del riel (Fig. 40 on page 145, 7) deslizante girándola en el sentido de las agujas del reloj.
El ángulo de bisel no se mantiene firmemente al empujar la palanca de fijación de bisel.	La palanca de fijación de bisel necesita un ajuste de la tensión.	Aumente la fuerza de la palanca de fijación de bisel ajustando la tuerca de tensión (Fig. 23 en la página 135).
La herramienta vibra o da sacudidas.	<ol style="list-style-type: none"> 1. La hoja de sierra no es redonda. 2. La hoja de sierra está dañada. 3. La hoja de sierra está floja. 4. Otra 	<ol style="list-style-type: none"> 1. Reemplace la hoja. 2. Reemplace la hoja. 3. Compruebe si la hoja está asentada correctamente sobre la arandela interna. Consulte "Remoción e instalación de las hojas" en la página 129. 4. Servicio autorizado.
El ensamblaje del cabezal no se desliza libremente cuando se intenta realizar un corte deslizante.	La perilla de fijación del riel deslizante ha sido apretada.	Afloje la perilla de fijación del riel (Fig. 40 en la página 145, 7) deslizante girándola en sentido contrario al de las agujas del reloj.
La hoja no corta completamente a través de la pieza de trabajo.	La hoja de repuesto mide menos de 12 pulgadas (305 mm) de diámetro.	Cambie a una hoja que tenga 12 pulgadas (305 mm) completas de diámetro.
La hoja de sierra o el protector inferior corta o contacta el tope-guía deslizante cuando la sierra está ajustada para realizar cortes en bisel.	El tope-guía deslizante no ha sido movido fuera de la trayectoria de la hoja de sierra antes de hacer un corte en bisel.	Mueva el tope-guía deslizante para que rebase el protector inferior y la hoja de sierra sin tocarlos. Luego, realice un "corte de prueba" para comprobar la holgura antes de hacer cortes en bisel. Consulte "Pasada de prueba" en la página 141.

Aditamentos/accesorios

Localizador de ángulos/calculadora de cortes compuestos/transportador de ángulos/nivel digital GAM 220 MF y GAM 270 MFL: Le da a usted la información necesaria para posicionar los cortes de manera que encajen juntos de manera precisa incluso si el cuarto está descuadrado.

Conjunto de topes de corona MS1233: Sujete correctamente la moldura de corona en una posición inclinada contra el tope-guía. Ajuste la moldura para realizar cortes verticales sencillos, no se requieren cortes compuestos.

Base de soporte portátil T1B para sierras ingletadoras

Base de soporte portátil con ruedas GTA3800 para sierras ingletadoras

Base de soporte de elevación por gravedad con ruedas T4B para sierras ingletadoras



ARM (BSD 3-clause) – CMSIS-core 4 and earlier

Copyright © 2009–2020 ARM LIMITED

All rights reserved.

Redistribution and use in source and binary forms, with or without modification, are permitted provided that the following conditions are met.

- Redistributions of source code must retain the above copyright notice, this list of conditions and the following disclaimer.
- Redistributions in binary form must reproduce the above copyright notice, this list of conditions and the following disclaimer in the documentation and/or other materials provided with the distribution.
- Neither the name of ARM nor the names of its contributors may be used to endorse or promote products derived from this software without specific prior written permission.

THIS SOFTWARE IS PROVIDED BY THE COPYRIGHT HOLDERS AND CONTRIBUTORS "AS IS" AND ANY EXPRESS OR IMPLIED WARRANTIES, INCLUDING, BUT NOT LIMITED TO, THE IMPLIED WARRANTIES OF MERCHANTABILITY AND FITNESS FOR A PARTICULAR PURPOSE ARE DISCLAIMED. IN NO EVENT SHALL THE COPYRIGHT OWNER OR CONTRIBUTORS BE LIABLE FOR ANY DIRECT, INDIRECT, INCIDENTAL, SPECIAL, EXEMPLARY, OR CONSEQUENTIAL DAMAGES (INCLUDING, BUT NOT LIMITED TO, PROCUREMENT OF SUBSTITUTE GOODS OR SERVICES; LOSS OF USE, DATA, OR PROFITS; OR BUSINESS INTERRUPTION) HOWEVER CAUSED AND ON ANY THEORY OF LIABILITY, WHETHER IN CONTRACT, STRICT LIABILITY, OR TORT (INCLUDING NEGLIGENCE OR OTHERWISE) ARISING IN ANY WAY OUT OF THE USE OF THIS SOFTWARE, EVEN IF ADVISED OF THE POSSIBILITY OF SUCH DAMAGE.

ARM (BSD 3-clause) – CMSIS-core 4 et antérieure

Copyright (C) 2009 - 2020 ARM LIMITED

Tous droits réservés.

La redistribution et l'utilisation sous formes source et binaire, avec ou sans modifications, sont autorisées à condition que les conditions suivantes soient remplies :

- Les redistributions du code source doivent conserver l'avis de droits d'auteur ci-dessus, cette liste de conditions et le rejet de responsabilité suivant.
- Les redistributions en format binaire doivent reproduire l'avis de droits d'auteur ci-dessus, cette liste de conditions et le rejet de responsabilité suivant dans la documentation et/ou les autres éléments fournis avec la distribution.
- Ni le nom d'ARM, ni les noms de ses contributeurs ne peuvent être utilisés pour approuver ou promouvoir des produits dérivés de ce logiciel sans autorisation écrite préalable spécifique.

CE LOGICIEL EST FOURNI PAR LES DÉTENTEURS DES DROITS D'AUTEUR ET LES CONTRIBUTEURS « EN L'ÉTAT », ET TOUTES GARANTIES EXPRESSES OU IMPLICITES, Y COMPRIS, MAIS SANS S'Y LIMITER, LES GARANTIES IMPLICITES DE QUALITÉ MARCHANDE ET D'ADÉQUATION À UN USAGE PARTICULIER, SONT REJETÉES. EN AUCUN CAS, LE TITULAIRE DU DROIT D'AUTEUR OU LES CONTRIBUTEURS NE POURRONT ÊTRE TENUS RESPONSABLES DE TOUT DOMMAGE DIRECT, INDIRECT, ACCESSOIRE, SPÉCIAL, EXEMPLAIRE OU CONSÉCUTIF (Y COMPRIS, MAIS SANS S'Y LIMITER, L'ACQUISITION DE BIENS OU DE SERVICES DE SUBSTITUTION, LA PERTE D'UTILISATION, DE DONNÉES OU DE BÉNÉFICES, OU L'INTERRUPTION D'ACTIVITÉ). QUELLE QU'EN SOIT LA CAUSE ET QUELLE QUE SOIT LA THÉORIE DE RESPONSABILITÉ, QU'IL S'AGISSE D'UN CONTRAT, D'UNE RESPONSABILITÉ SANS FAUTE OU D'UN DÉLIT (Y COMPRIS LA NÉGLIGENCE OU AUTRE) DÉCOULANT DE QUELQUE MANIÈRE QUE CE SOIT DE L'UTILISATION DE CE LOGICIEL, MÊME S'ILS ONT ÉTÉ INFORMÉS DE LA POSSIBILITÉ DE TELS DOMMAGES.

Aimonen (zlib) - Nanopb

Copyright © 2011 Petteri Aimonen

This software is provided 'as-is', without any express or implied warranty. In no event will the authors be held liable for any damages arising from the use of this software.

Permission is granted to anyone to use this software for any purpose, including commercial applications, and to alter it and redistribute it freely, subject to the following restrictions:

1. The origin of this software must not be misrepresented; you must not claim that you wrote the original software. If you use this software in a product, an acknowledgment in the product documentation would be appreciated but is not required.
2. Altered source versions must be plainly marked as such, and must not be misrepresented as being the original software.
3. This notice may not be removed or altered from any source distribution.

Aimonen (zlib) - Nanopb

Copyright © 2011 Petteri Aimonen

Ce logiciel est fourni « en l'état », sans aucune garantie expresse ou implicite. En aucun cas, les auteurs ne pourront être tenus responsables de tout dommage résultant de l'utilisation de ce logiciel.

L'autorisation est accordée à quiconque d'utiliser ce logiciel dans n'importe quel but, y compris les applications commerciales, de le modifier et de le redistribuer librement, sous réserve des restrictions suivantes :

1. L'origine de ce logiciel ne doit pas être dénaturée ; vous ne devez pas prétendre que vous avez écrit le logiciel original. Si vous utilisez ce logiciel dans un produit, une reconnaissance dans la documentation du produit serait appréciée mais n'est pas obligatoire.
2. Les versions sources modifiées doivent être clairement indiquées comme telles et ne doivent pas être présentées comme étant le logiciel original.
3. Cet avis ne peut pas être retiré ou modifié de toute distribution de la source.



Notes / Remarques / Notas

This page was intentionally left blank
Cette page a été laissée vierge intentionnellement.
Esta página se dejó intencionalmente en blanco

Notes / Remarques / Notas

This page was intentionally left blank
Cette page a été laissée vierge intentionnellement.
Esta página se dejó intencionalmente en blanco

Notes / Remarques / Notas

This page was intentionally left blank
Cette page a été laissée vierge intentionnellement.
Esta página se dejó intencionalmente en blanco

Limited Warranty of Bosch Portable and Benchtop Power Tools ("Limited Warranty")

Robert Bosch Tool Corporation ("Bosch", "we" or "our") warrants to the original end-user purchaser only that each BOSCH®-branded portable and benchtop power tool and battery (each, a "Product") will be free from defects in material or workmanship for the period of time listed in the chart below for the "Product Category" applicable for such Product (as applicable, the "Warranty Period"):

Product Category	Warranty Period
18V Cordless Power Tools, 18V Benchtop Power Tools and 18V Chargers	Five (5) years from the date of purchase
18V Power Tool Batteries	Three (3) years from the date of purchase
12V Cordless Power Tools and 12V Chargers	One (1) year from the date of purchase
12V Power Tool Batteries	One (1) year from the date of purchase
Corded Portable Power Tools and Corded Benchtop Power Tools	One (1) year from the date of purchase

OUR SOLE OBLIGATION AND YOUR EXCLUSIVE REMEDY under this Limited Warranty and, to the extent permitted by law, under any warranty or condition implied by law, shall be the repair or replacement of parts, without charge, which are defective in material or workmanship and which have not been abused, misused, carelessly handled, or repaired by persons other than Bosch or a Bosch Authorized Service Center.

Normal wear and tear of your Product is not covered by this Limited Warranty. As a result, Product parts that may become worn or exhausted over time due to normal wear and tear (including, without limitation, air filters, blade clamps, brushes, bumpers, bumper cover washers, chucks, cords, driver belts, driver blades, driver blades, isolators, lifters, o-rings, pistons, piston/driver assemblies, piston stops, saw shoes, seals, strikers, etc.), or any other service or repairs required due to normal wear and tear on a Product, are not covered by this Limited Warranty.

To make a claim under this Limited Warranty, you must return the complete Product, transportation prepaid, to any Bosch Factory Service Center or Bosch Authorized Service Center. Please include a dated proof of purchase with your Product so we can determine if your Product is within the Warranty Period. If you do not have the dated proof of purchase for the Product that is the subject of your claim, we will use the Product's production code to determine whether the Product is within the Warranty Period. For locations of nearby Bosch Factory Service Centers or Bosch Authorized Service Centers, please use our service locator at <https://www.boschtools.com/us/en/service/service-center-locator/>. For more information on Limited Warranty performance, please contact our customer service at 1-877-267-2499.

THIS LIMITED WARRANTY DOES NOT APPLY TO BOSCH®-BRANDED:

- (i) MEASURING TOOLS,
- (ii) ACCESSORY ITEMS SUCH AS CIRCULAR SAW BLADES, DRILL BITS, ROUTER BITS, JIGSAW BLADES, SANDING BELTS, GRINDING WHEELS AND OTHER SIMILAR TYPES OF ITEMS; OR
- (iii) CARRYING CASES OR CARRYING BAGS.

ANY IMPLIED WARRANTIES FOR A PRODUCT SHALL BE LIMITED IN DURATION TO THE SHORTER OF (i) THE APPLICABLE WARRANTY PERIOD FOR SUCH PRODUCT/PRODUCT CATEGORY LISTED ABOVE, OR (ii) SUCH DURATION AS WOULD OTHERWISE APPLY UNDER APPLICABLE LAW IF THIS LIMITED WARRANTY WERE NOT OFFERED BY BOSCH. SOME STATES IN THE U.S., AND SOME CANADIAN PROVINCES, DO NOT ALLOW LIMITATIONS ON HOW LONG AN IMPLIED WARRANTY LASTS, SO THE ABOVE LIMITATION MAY NOT APPLY TO YOU.

IN NO EVENT SHALL BOSCH BE LIABLE FOR ANY INCIDENTAL OR CONSEQUENTIAL DAMAGES (INCLUDING BUT NOT LIMITED TO LIABILITY FOR LOSS OF PROFITS) ARISING FROM THE SALE OR USE OF THIS PRODUCT. SOME STATES IN THE U.S. AND SOME CANADIAN PROVINCES (INCLUDING, WITHOUT LIMITATION, QUEBEC) DO NOT ALLOW THE EXCLUSION OR LIMITATION OF INCIDENTAL OR CONSEQUENTIAL DAMAGES, SO THE ABOVE LIMITATION OR EXCLUSION MAY NOT APPLY TO YOU.

THIS LIMITED WARRANTY GIVES YOU SPECIFIC LEGAL RIGHTS, AND YOU MAY ALSO HAVE OTHER RIGHTS WHICH VARY FROM STATE TO STATE IN THE U.S., PROVINCE TO PROVINCE IN CANADA AND FROM COUNTRY TO COUNTRY.

THIS LIMITED WARRANTY APPLIES ONLY TO PRODUCTS SOLD WITHIN THE UNITED STATES OF AMERICA AND CANADA. FOR WARRANTY COVERAGE WITHIN OTHER COUNTRIES, CONTACT YOUR LOCAL BOSCH® BRAND TOOL DEALER OR IMPORTER.

V202211

Garantía Limitada de herramientas eléctricas portátiles y de tablero de banco Bosch ("Garantía Limitada")

Robert Bosch Tool Corporation ("Bosch", "nosotros", "nuestro" o "nuestra") garantiza, únicamente al comprador usuario final original, que cada herramienta eléctrica portátil o de tablero de banco y cada batería de la marca BOSCH® (cada una de ellas, un "Producto") estará libre de defectos de material o de fabricación durante el período de tiempo indicado en el cuadro que aparece a continuación para la "Categoría de productos" aplicable a dicho Producto (según sea aplicable, el "Período de Garantía"):

Categoría de productos	Período de garantía
Herramientas eléctricas inalámbricas de 18 V, herramientas eléctricas de tablero de banco de 18 V y cargadores de 18 V	Cinco (5) años desde la fecha de compra
Baterías para herramientas eléctricas de 18 V	Tres (3) años desde la fecha de compra
Herramientas eléctricas inalámbricas de 12 V y cargadores de 12 V	Un (1) año desde la fecha de compra
Baterías para herramientas eléctricas de 12 V	Un (1) año desde la fecha de compra
Herramientas eléctricas portátiles alámbricas y herramientas eléctricas de banco alámbricas	Un (1) año desde la fecha de compra

NUESTRA ÚNICA OBLIGACIÓN Y EL REMEDIO EXCLUSIVO PARA USTED bajo esta Garantía Limitada y, en la medida en que la ley lo permita, bajo cualquier garantía o condición implícita por ley, será la reparación o el reemplazo de las piezas, sin cargo alguno, que presenten defectos de material o de fabricación y que no hayan sido sometidas a abuso ni utilizadas incorrectamente, manejadas descuidadamente o reparadas por personas que no sean Bosch o un Centro de Servicio Autorizado Bosch.

El desgaste de su Producto por el uso normal no está cubierto por esta Garantía Limitada. Como resultado de ello, las piezas de los Productos que se desgastan o se agotan con el paso del tiempo debido al desgaste por el uso normal (incluyendo, sin limitación, filtros de aire, abrazaderas para hojas, escobillas, amortiguadores, arandelas de cubiertas de amortiguadores, mandriles, cables de alimentación, correas de transmisión, hojas de impulsor, aisladores, elevadores, anillos tóricos, pistones, ensamblajes de pistón/impulsor, topes de pistón, zapatas de sierra, sellos, percutores, etc.), o cualquier otro servicio o reparación requeridos que se deban al desgaste por el uso normal de un Producto, no están cubiertos por esta Garantía Limitada.

Para presentar un reclamo bajo esta Garantía Limitada, usted debe devolver el Producto completo, con el transporte prepagado, a cualquier Centro de Servicio de Fábrica Bosch o Centro de Servicio Autorizado Bosch. Por favor, incluya un comprobante de compra fechado con su Producto para que podamos determinar si su Producto está dentro del Período de Garantía. Si no tiene un comprobante fechado de la compra del Producto que sea el objeto de su reclamo, utilizaremos el código de producción del Producto para determinar si dicho Producto está dentro del Período de Garantía. Para obtener las ubicaciones de los Centros de Servicio de Fábrica Bosch o los Centros de Servicio Autorizado Bosch cercanos, sírvase usar nuestro localizador de servicio en <https://www.boschtools.com/us/en/service/service-center-locator/>. Para obtener más información sobre el funcionamiento de la Garantía Limitada, sírvase contactar a nuestro servicio al cliente llamando al 1-877-267-2499.

ESTA GARANTÍA LIMITADA NO SE APLICA A LOS SIGUIENTES PRODUCTOS DE LA MARCA BOSCH®:

- (i) HERRAMIENTAS DE MEDICIÓN,



- (ii) **ARTÍCULOS ACCESORIOS TALES COMO HOJAS DE SIERRA CIRCULAR, BROCAS TALADRADORAS, BROCAS DE FRESADORA, HOJAS DE SIERRA CALADORA, CORREAS DE LUJAR, DISCOS DE AMOLAR Y OTROS TIPOS DE ARTÍCULOS SIMILARES;**
- (iii) **MALETINES DE TRANSPORTE O BOLSAS DE TRANSPORTE.**

TODAS LAS GARANTÍAS IMPLÍCITAS DE UN PRODUCTO ESTARÁN LIMITADAS EN DURACIÓN A LO QUE SEA MÁS CORTO ENTRE (i) EL PERÍODO DE GARANTÍA APLICABLE PARA DICHO PRODUCTO O DICHA CATEGORÍA DE PRODUCTO, SEGÚN SE INDICA ANTERIORMENTE, O (ii) AQUELLA DURACIÓN QUE SE APLICARÍA DE OTRA MANERA BAJO LA LEY VIGENTE, SI ESTA GARANTÍA LIMITADA NO FUERA OFRECIDA POR BOSCH. ALGUNOS ESTADOS DE LOS EE.UU. Y ALGUNAS PROVINCIAS CANADIENSES NO PERMITEN LIMITACIONES EN CUANTO A LA DURACIÓN DE UNA GARANTÍA IMPLÍCITA, POR LO QUE ES POSIBLE QUE LA LIMITACIÓN QUE ANTECEDE NO TENGA APLICACIÓN EN EL CASO DE USTED.

BOSCH NO SERÁ RESPONSABLE EN NINGÚN CASO POR DAÑOS INCIDENTALES O EMERGENTES (INCLUYENDO PERO SIN ESTAR LIMITADOS A RESPONSABILIDAD POR PÉRDIDA DE UTILIDADES) QUE SURJAN DE LA VENTA O DEL USO DE ESTE PRODUCTO. ALGUNOS ESTADOS DE LOS EE.UU. Y ALGUNAS PROVINCIAS CANADIENSES (INCLUYENDO, SIN LIMITACIÓN, QUEBEC) NO PERMITEN LA EXCLUSIÓN O LIMITACIÓN DE LOS DAÑOS INCIDENTALES O EMERGENTES, POR LO QUE ES POSIBLE QUE LA LIMITACIÓN QUE ANTECEDE NO TENGA APLICACIÓN EN EL CASO DE USTED.

ESTA GARANTÍA LIMITADA LE CONFIERE A USTED DERECHOS LEGALES ESPECÍFICOS Y ES POSIBLE QUE USTED TENGA TAMBIÉN OTROS DERECHOS QUE VARIAN DE UN ESTADO A OTRO EN LOS EE.UU., DE UNA PROVINCIA A OTRA EN CANADÁ Y DE UN PAÍS A OTRO.

ESTA GARANTÍA LIMITADA SE APLICA SOLO A LOS PRODUCTOS VENDIDOS DENTRO DE LOS ESTADOS UNIDOS DE AMÉRICA Y CANADÁ. PARA OBTENER COBERTURA DE GARANTÍA EN OTROS PAÍSES, CONTACTE A SU DISTRIBUIDOR O IMPORTADOR LOCAL DE PRODUCTOS DE LA MARCA BOSCH®.

V202211

Garantie limitée des outils électriques portatifs et de table Bosch (« Garantie limitée »)

Robert Bosch Tool Corporation (« Bosch », « nous » ou « notre ») garantit à l'acheteur utilisateur final original uniquement que chaque outil électrique portable et de table ainsi que chaque pile (chacun, un « Produit ») de marque BOSCH® sera exempt de défauts de matériaux ou de fabrication pendant la période indiquée dans le tableau ci-dessous pour la « Catégorie de produits » applicable à ce Produit (selon le cas, la « Période de garantie ») :

Catégorie de produits	Période de garantie
Outils électriques sans fil de 18 V, outils électriques de table de 18 V et chargeurs de 18 V	Cinq (5) ans à compter de la date d'achat
Piles pour outils électriques de 18 V	Trois (3) ans à compter de la date d'achat
Outils électriques sans fil de 12 V et chargeurs de 12 V	Un (1) an à compter de la date d'achat
Piles pour outils électriques de 12 V	Un (1) an à compter de la date d'achat
Outils électriques portatifs à cordon d'alimentation et outils électriques de table à cordon d'alimentation	Un (1) an à compter de la date d'achat

NOTRE SEULE OBLIGATION ET VOTRE SEUL REMÈDE en vertu de cette Garantie limitée et, dans la mesure où la loi le permet, de toute autre garantie ou condition légalement implicite, sera la réparation ou le remplacement à titre gratuit des pièces qui seront jugées défectueuses pour cause de vice de matériel ou de fabrication et qui n'auront pas été utilisées de façon abusive ou inappropriée, manipulées sans précautions ou réparées incorrectement par des personnes autres que des employés de Bosch ou d'un Centre de service après-vente agréé par Bosch.

L'usure normale de votre Produit n'est pas couverte par la présente Garantie limitée. Par conséquent, les pièces du Produit qui peuvent s'user ou s'épuiser avec le temps en raison d'une usure normale (y compris, sans s'y limiter, les filtres à air, les pinces de lame, les brosses, les pare-chocs, les rondelles de protection des pare-chocs, les mandrins, les cordons, les courroies d'entraînement, les lames d'entraînement, les isolateurs, les élévateurs, les joints toriques, les pistons, les ensembles piston/entraînement, les butées de piston, les sabots de scie, les joints, les perceurs, etc.), ou tout autre service ou réparation requis en raison de l'usure normale d'un Produit, ne bénéficient pas de la couverture de la présente Garantie limitée.

Pour vous prévaloir de la présente Garantie limitée, vous devez retourner le Produit complet, en port payé, à un centre de service usine Bosch ou à un centre de service après-vente agréé par Bosch. Veuillez inclure un justificatif d'achat daté avec votre Produit afin que nous puissions déterminer si votre Produit est toujours dans la période de garantie. Si vous ne disposez pas d'un justificatif d'achat daté pour le Produit faisant l'objet de votre réclamation, nous utiliserons le code de fabrication du Produit pour déterminer si le Produit est toujours dans la période de garantie. Pour connaître l'emplacement des centres de service usine Bosch ou des centres de service après-vente agréés par Bosch les plus proches, veuillez utiliser notre localisateur de services à l'adresse suivante : <https://www.boschtools.com/us/en/service/service-center-locator/>. Pour plus d'informations sur la performance de la Garantie limitée, veuillez contacter notre service clientèle au 1-877-267-2499.

CETTE GARANTIE LIMITÉE NE S'APPLIQUE PAS AUX PRODUITS DE LA MARQUE BOSCH® SUIVANTS :

- (i) **OUTILS DE MESURE,**
- (ii) **ARTICLES ACCESSOIRES TELS QUE DES LAMES DE SCIE CIRCULAIRE, DES MÊCHES DE PERÇAGE, DES FRAISES À DÉFONCER, DES LAMES DE SCIE SAUTEUSE, DES BANDES ABRASIVES, DES MEULES ET D'AUTRES TYPES D'ARTICLES SIMILAIRES ; OU**
- (iii) **DES MALETTES OU DES SACS DE TRANSPORT.**

TOUTE GARANTIE IMPLICITE POUR UN PRODUIT SERA LIMITÉE À LA DURÉE LA PLUS COURTE ENTRE (i) LA PÉRIODE DE GARANTIE APLICABLE POUR CE PRODUIT/CETTE CATÉGORIE DE PRODUITS ÉNUMÉRÉS CI-DESSUS, OU (ii) LA DURÉE QUI SERAIT AUTREMENT APLICABLE EN VERTU DE LA LOI APLICABLE SI LA PRÉSENTE GARANTIE LIMITÉE N'ÉTAIT PAS OFFERTE PAR BOSCH. COMME CERTAINS ÉTATS AUX ÉTATS-UNIS ET CERTAINES PROVINCES AU CANADA NE PERMETTENT PAS DE LIMITATIONS SUR LA DURÉE D'UNE GARANTIE IMPLICITE, LA LIMITATION CI-DESSUS NE S'APPLIQUE PEUT-ÊTRE PAS À VOUS.

BOSCH NE SERA EN AUCUN CAS RESPONSABLE POUR TOUTS DOMMAGES INDIRECTS OU SECONDAIRES (Y COMPRIS, MAIS SANS LIMITATION, LA RESPONSABILITÉ AU TITRE DE LA PERTE DE BÉNÉFICES) RÉSULTANT DE LA VENTE OU DE L'EMPLOI DE CE PRODUIT. COMME CERTAINS ÉTATS AUX ÉTATS-UNIS ET CERTAINES PROVINCES AU CANADA (Y COMPRIS, ENTRE AUTRES, LA PROVINCE DU QUÉBEC) NE PERMETTENT PAS L'EXCLUSIÓN OU LA LIMITATION DE LA RESPONSABILITÉ POUR LES DOMMAGES INDIRECTS OU SECONDAIRES, LA LIMITATION OU L'EXCLUSIÓN CI-DESSUS NE S'APPLIQUE PEUT-ÊTRE PAS À VOUS.

CETTE GARANTIE LIMITÉE VOUS CONFÈRE DES GARANTIES JURIDIQUES PARTICULIÈRES, ET VOUS POUVEZ AUSSI AVOIR D'AUTRES DROITS, QUI VARIENT D'UN ÉTAT À L'AUTRE AUX ÉTATS-UNIS, D'UNE PROVINCE À L'AUTRE AU CANADA OU D'UN PAYS À L'AUTRE.

CETTE GARANTIE LIMITÉE NE S'APPLIQUE QU'ÀUX PRODUITS VENDUS AUX ÉTATS-UNIS D'AMÉRIQUE ET AU CANADA. CONTACTEZ VOTRE DISTRIBUEUR OU IMPORTATEUR LOCAL D'OUTILS DE LA MARQUE BOSCH® POUR OBTENIR DES INFORMATIONS SUR LA COUVERTURE DE LA GARANTIE DANS LES AUTRES PAYS.

V202211



© Robert Bosch Tool Corporation
1800 W. Central Road
Mt. Prospect, IL 60056-2230
2610070466 11/2022



2 6 1 0 0 7 0 4 6 6

