

**IMPORTANT**  
Read Before Using

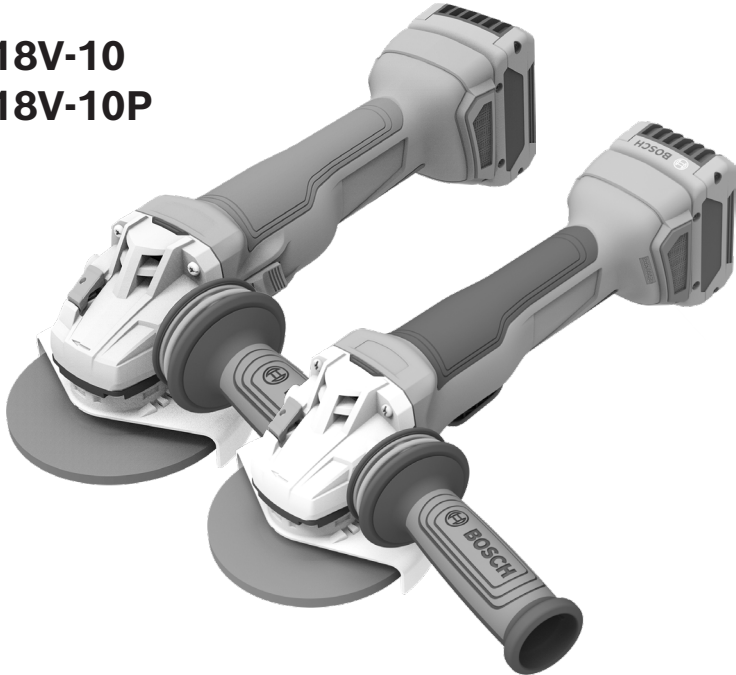
**IMPORTANT**  
Lire avant usage

**IMPORTANTE**  
Leer antes de usar



**Operating / Safety Instructions**  
**Consignes d'utilisation / de sécurité**  
**Instrucciones de funcionamiento y seguridad**

**GWS18V-10**  
**GWS18V-10P**



**BOSCH**

Call Toll Free for Consumer Information & Service Locations

Pour obtenir des informations et les adresses de nos centres de service après-vente, appelez ce numéro gratuit

Lláme gratis para obtener información para el consumidor y ubicaciones de servicio

**1-877-BOSCH99 (1-877-267-2499) [www.boschtools.com](http://www.boschtools.com)**





For English Version  
See page 2

Version française  
Voir page 33

Versión en español  
Ver la página 64

# Safety Symbols

The definitions below describe the level of severity for each signal word.  
Please read the manual and pay attention to these symbols.

	This is the safety alert symbol. It is used to alert you to potential personal injury hazards. Obey all safety messages that follow this symbol to avoid possible injury or death.
	DANGER indicates a hazardous situation which, if not avoided, will result in death or serious injury.
	WARNING indicates a hazardous situation which, if not avoided, could result in death or serious injury.
	CAUTION indicates a hazardous situation which, if not avoided, could result in minor or moderate injury.

## Table of Contents

<p>Safety Symbols . . . . .2</p> <p>General Power Tool Safety Warnings . . . . .3</p> <p>Safety Rules for Cordless Angle Grinders . . . . .5</p> <p>Additional Safety Warnings . . . . .8</p> <p>Intended Use . . . . .9</p> <p>Symbols. . . . .10</p> <p>Getting to Know Your Angle Grinder. . . . .12</p> <p>Specifications . . . . .14</p> <p>Applications. . . . .15</p> <p>Functional Descriptions . . . . .16</p> <p style="padding-left: 20px;">Kickback Control . . . . .16</p> <p style="padding-left: 20px;">Automatic Restart Protection . . . . .16</p> <p style="padding-left: 20px;">Overload Protection . . . . .16</p> <p style="padding-left: 20px;">Drop Control . . . . .16</p> <p>Brake Operation. . . . .16</p> <p>Assembly . . . . .17</p> <p style="padding-left: 20px;">Wheel Guard Installation . . . . .17</p> <p style="padding-left: 20px;">Vibration Control Side Handle . . . . .18</p> <p style="padding-left: 20px;">Hand Shield (sold separately). . . . .18</p> <p style="padding-left: 20px;">Quick-Clamping Nut . . . . .18</p> <p style="padding-left: 20px;">Lock Nut and Backing Flange . . . . .19</p> <p style="padding-left: 20px;">Disc Grinding Wheel Assembly . . . . .19</p>	<p style="padding-left: 20px;">Abrasive TYPE 41/1A and 27A/42 Wheel Assembly . . . . .20</p> <p style="padding-left: 20px;">Type 1 Abrasive Straight Grinding Wheels . . . . .20</p> <p style="padding-left: 20px;">Sanding Accessories Assembly . . . . .21</p> <p style="padding-left: 20px;">Type E (Diamond Surface Grinding Wheel Guard) with Concrete Dust Extraction Attachment for Surfacing Grinding Assembly. . . . .22</p> <p style="padding-left: 20px;">Masonry Cutting Guard Assembly . . . . .23</p> <p style="padding-left: 20px;">Inserting and Releasing Battery Pack . . .25</p> <p>Operating Instructions . . . . .26</p> <p style="padding-left: 20px;">Slide Switch with LockON . . . . .26</p> <p style="padding-left: 20px;">Paddle Switch . . . . .26</p> <p style="padding-left: 20px;">Grinding . . . . .27</p> <p style="padding-left: 20px;">Cutting. . . . .28</p> <p style="padding-left: 20px;">Sanding Operations . . . . .30</p> <p style="padding-left: 20px;">Wire Brush Operations . . . . .31</p> <p>Maintenance . . . . .32</p> <p style="padding-left: 20px;">Service . . . . .32</p> <p style="padding-left: 20px;">Batteries. . . . .32</p> <p style="padding-left: 20px;">Tool Lubrication . . . . .32</p> <p style="padding-left: 20px;">Motors . . . . .32</p>
--	---

# Table of Contents

Cleaning . . . . .	32	Accessories . . . . .	32
Accessory Storage and Maintenance . . . . .	32		

## General Power Tool Safety Warnings

**⚠ WARNING** Read all safety warnings, instructions, illustrations and specifications provided with this power tool. Failure to follow all instructions listed below may result in electric shock, fire and/or serious injury.

### SAVE ALL WARNINGS AND INSTRUCTIONS FOR FUTURE REFERENCE

The term “power tool” in the warnings refers to your mains-operated (corded) power tool or battery-operated (cordless) power tool.

---

#### 1. Work area safety

---

- a. **Keep work area clean and well lit.** Cluttered or dark areas invite accidents.
- b. **Do not operate power tools in explosive atmospheres, such as in the presence of flammable liquids, gases or dust.** Power tools create sparks which may ignite the dust or fumes.
- c. **Keep children and bystanders away while operating a power tool.** Distractions can cause you to lose control.

---

#### 2. Electrical safety

---

- a. **Power tool plugs must match the outlet. Never modify the plug in any way. Do not use any adapter plugs with earthed (grounded) power tools.** Unmodified plugs and matching outlets will reduce risk of electric shock.
- b. **Avoid body contact with earthed or grounded surfaces, such as pipes, radiators, ranges and refrigerators.** There is an increased risk of electric shock if your body is earthed or grounded.
- c. **Do not expose power tools to rain or wet conditions.** Water entering a power tool will increase the risk of electric shock.
- d. **Do not abuse the cord. Never use the cord for carrying, pulling or unplugging the power tool. Keep cord away from heat, oil, sharp edges or moving parts.** Dam-

aged or entangled cords increase the risk of electric shock.

- e. **When operating a power tool outdoors, use an extension cord suitable for outdoor use.** Use of a cord suitable for outdoor use reduces the risk of electric shock.
- f. **If operating a power tool in a damp location is unavoidable, use a Ground Fault Circuit Interrupter (GFCI) protected supply.** Use of a GFCI reduces the risk of electric shock.

---

#### 3. Personal safety

---

- a. **Stay alert, watch what you are doing and use common sense when operating a power tool. Do not use a power tool while you are tired or under the influence of drugs, alcohol or medication.** A moment of inattention while operating power tools may result in serious personal injury.
- b. **Use personal protective equipment. Always wear eye protection.** Protective equipment such as dust mask, non-skid safety shoes, hard hat, or hearing protection used for appropriate conditions will reduce personal injuries.
- c. **Prevent unintentional starting. Ensure the switch is in the off-position before connecting to power source and/or battery pack, picking up or carrying the tool.** Carrying power tools with your finger on the switch or energizing power tools that have the switch on invites accidents.

**SAVE THESE INSTRUCTIONS**

# General Power Tool Safety Warnings

- d. **Remove any adjusting key or wrench before turning the power tool on.** A wrench or a key left attached to a rotating part of the power tool may result in personal injury.
- e. **Do not overreach.** Keep proper footing and balance at all times. This enables better control of the power tool in unexpected situations.
- f. **Dress properly. Do not wear loose clothing or jewelry. Keep your hair, clothing and gloves away from moving parts.** Loose clothes, jewelry or long hair can be caught in moving parts.
- g. **If devices are provided for the connection of dust extraction and collection facilities, ensure these are connected and properly used.** Use of dust collection can reduce dust-related hazards.
- h. **Do not let familiarity gained from frequent use of tools allow you to become complacent and ignore tool safety principles.** A careless action can cause severe injury within a fraction of a second.
- e. **Maintain power tools and accessories. Check for misalignment or binding of moving parts, breakage of parts and any other condition that may affect the power tool's operation. If damaged, have the power tool repaired before use.** Many accidents are caused by poorly maintained power tools.
- f. **Keep cutting tools sharp and clean.** Properly maintained cutting tools with sharp cutting edges are less likely to bind and are easier to control.
- g. **Use the power tool, accessories and tool bits etc. in accordance with these instructions, taking into account the working conditions and the work to be performed.** Use of the power tool for operations different from those intended could result in a hazardous situation.
- h. **Keep handles and grasping surfaces dry, clean and free from oil and grease.** Slippery handles and grasping surfaces do not allow for safe handling and control of the tool in unexpected situations.

---

## 4. Power tool use and care

---

- a. **Do not force the power tool. Use the correct power tool for your application.** The correct power tool will do the job better and safer at the rate for which it was designed.
- b. **Do not use the power tool if the switch does not turn it on and off.** Any power tool that cannot be controlled with the switch is dangerous and must be repaired.
- c. **Disconnect the plug from the power source and/or remove the battery pack, if detachable, from the power tool before making any adjustments, changing accessories, or storing power tools.** Such preventive safety measures reduce the risk of starting the power tool accidentally.
- d. **Store idle power tools out of the reach of children and do not allow persons unfamiliar with the power tool or these instructions to operate the power tool.** Power tools are dangerous in the hands of untrained users.

---

## 5. Battery tool use and care

---

- a. **Recharge only with the charger specified by the manufacturer.** A charger that is suitable for one type of battery pack may create a risk of fire when used with another battery pack.
- b. **Use power tools only with specifically designated battery packs.** Use of any other battery packs may create a risk of injury and fire.
- c. **When battery pack is not in use, keep it away from other metal objects, like paper clips, coins, keys, nails, screws or other small metal objects, that can make a connection from one terminal to another.** Shorting the battery terminals together may cause burns or a fire.
- d. **Under abusive conditions, liquid may be ejected from the battery; avoid contact. If contact accidentally occurs, flush with water. If liquid contacts eyes, additionally seek medical help.** Liquid ejected from the battery may cause irritation or burns.

SAVE THESE INSTRUCTIONS



## General Power Tool Safety Warnings

- e. **Do not use a battery pack or tool that is damaged or modified.** Damaged or modified batteries may exhibit unpredictable behaviour resulting in fire, EXPLOSION or risk of injury.
- f. **Do not expose a battery pack or tool to fire or excessive temperature.** Exposure to fire or temperature above 265 °F/130 °C may cause explosion.
- g. **Follow all charging instructions and do not charge the battery pack or tool outside the temperature range specified in the instructions.** Charging improperly or at temperatures outside the specified range

may damage the battery and increase the risk of fire.

### 6. Service

- a. **Have your power tool serviced by a qualified repair person using only identical replacement parts.** This will ensure that the safety of the power tool is maintained.
- b. **Never service damaged battery packs.** Service of battery packs should only be performed by the manufacturer or authorized service providers.

## Safety Rules for Cordless Angle Grinders

### 1. Safety warnings common for grinding, sanding, wire brushing, or cutting-off operations

- a. **This power tool is intended to function as a grinder, sander, wire brush, hole cutter or cut-off tool. Read all safety warnings, instructions, illustrations and specifications provided with this power tool.** Failure to follow all instructions listed below may result in electric shock, fire and/or serious injury.
- b. **Operations such as polishing are not to be performed with this power tool.** Operations for which the power tool was not designed may create a hazard and cause personal injury.
- c. **Do not convert this power tool to operate in a way which is not specifically designed and specified by the tool manufacturer.** Such a conversion may result in a loss of control and cause serious personal injury.
- d. **Do not use accessories which are not specifically designed and specified by the tool manufacturer.** Just because the accessory can be attached to your power tool, it does not assure safe operation.
- e. **The rated speed of the accessory must be at least equal to the maximum speed marked on the power tool.** Accessories

running faster than their rated speed can break and fly apart.

- f. **The outside diameter and the thickness of your accessory must be within the capacity rating of your power tool.** Incorrectly sized accessories cannot be adequately guarded or controlled.
- g. **The dimensions of the accessory mounting must fit the dimensions of the mounting hardware of the power tool.** Accessories that do not match the mounting hardware of the power tool will run out of balance, vibrate excessively and may cause loss of control.
- h. **Do not use a damaged accessory. Before each use inspect the accessory such as abrasive wheels for chips and cracks, backing pad for cracks, tear or excess wear, wire brush for loose or cracked wires. If power tool or accessory is dropped, inspect for damage or install an undamaged accessory. After inspecting and installing an accessory, position yourself and bystanders away from the plane of the rotating accessory and run the power tool at maximum no-load speed for one minute.** Damaged accessories will normally break apart during this test time.
- i. **Wear personal protective equipment. Depending on application, use face shield, safety goggles or safety glasses. As appropriate, wear dust mask, hearing protec-**

**SAVE THESE INSTRUCTIONS**

# Safety Rules for Cordless Angle Grinders

**tors, gloves and workshop apron capable of stopping small abrasive or workpiece fragments.** The eye protection must be capable of stopping flying debris generated by various applications. The dust mask or respirator must be capable of filtering particles generated by the particular application. Prolonged exposure to high intensity noise may cause hearing loss.

- j. Keep bystanders a safe distance away from work area. Anyone entering the work area must wear personal protective equipment.** Fragments of workpiece or of a broken accessory may fly away and cause injury beyond immediate area of operation.
- k. Hold the power tool by insulated gripping surfaces only, when performing an operation where the cutting accessory may contact hidden wiring. Contact with a "live" wire will also make exposed metal parts of the power tool "live" and could give the operator an electric shock.**
- l. Never lay the power tool down until the accessory has come to a complete stop.** The spinning accessory may grab the surface and pull the power tool out of your control.
- m. Do not run the power tool while carrying it at your side.** Accidental contact with the spinning accessory could snag your clothing, pulling the accessory into your body.
- n. Regularly clean the power tool's air vents.** The motor's fan will draw the dust inside the housing and excessive accumulation of powdered metal may cause electrical hazards.
- o. Do not operate the power tool near flammable materials.** Sparks could ignite these materials.
- p. Do not use accessories that require liquid coolants.** Using water or other liquid coolants may result in electrocution or shock.

## 2. Kickback and related warnings

Kickback is a sudden reaction to a pinched or snagged rotating wheel, backing pad, brush or any other accessory. Pinching or snagging causes rapid stalling of the rotating accessory which in turn causes the uncontrolled power

tool to be forced in the direction opposite of the accessory's rotation at the point of the binding.

For example, if an abrasive wheel is snagged or pinched by the workpiece, the edge of the wheel that is entering into the pinch point can dig into the surface of the material causing the wheel to climb out or kick out. The wheel may either jump toward or away from the operator, depending on direction of the wheel's movement at the point of pinching. Abrasive wheels may also break under these conditions.

Kickback is the result of power tool misuse and/or incorrect operating procedures or conditions and can be avoided by taking proper precautions as given below.

- a. Maintain a firm grip with both hands on the power tool and position your body and arms to allow you to resist kickback forces. Always use auxiliary handle, if provided, for maximum control over kickback or torque reaction during start-up.** The operator can control torque reactions or kickback forces, if proper precautions are taken.
- b. Never place your hand near the rotating accessory.** Accessory may kickback over your hand.
- c. Do not position your body in the area where power tool will move if kickback occurs.** Kickback will propel the tool in direction opposite to the wheel's movement at the point of snagging.
- d. Use special care when working corners, sharp edges, etc. Avoid bouncing and snagging the accessory.** Corners, sharp edges or bouncing have a tendency to snag the rotating accessory and cause loss of control or kickback.
- e. Do not attach a saw chain woodcarving blade, segmented diamond wheel with a peripheral gap greater than 10 mm (13/32") or toothed saw blade.** Such blades create frequent kickback and loss of control.

# Safety Rules for Cordless Angle Grinders

## 3. Safety warnings specific for grinding and cutting-off operations

- a. **Use only wheel types that are specified for your power tool and the specific guard designed for the selected wheel.** Wheels for which the power tool was not designed cannot be adequately guarded and are unsafe.
- b. **The grinding surface of center depressed wheels must be mounted below the plane of the guard lip.** An improperly mounted wheel that projects through the plane of the guard lip cannot be adequately protected.
- c. **The guard must be securely attached to the power tool and positioned for maximum safety, so the least amount of wheel is exposed towards the operator.** The guard helps to protect the operator from broken wheel fragments, accidental contact with wheel and sparks that could ignite clothing.
- d. **Wheels must be used only for specified applications. For example: do not grind with the side of cut-off wheel.** Abrasive cut-off wheels are intended for peripheral grinding, side forces applied to these wheels may cause them to shatter.
- e. **Always use undamaged wheel flanges that are of correct size and shape for your selected wheel.** Proper wheel flanges support the wheel thus reducing the possibility of wheel breakage. Flanges for cut-off wheels may be different from grinding wheel flanges.
- f. **Do not use worn down wheels from larger power tools.** A wheel intended for larger power tool is not suitable for the higher speed of a smaller tool and may burst.
- g. **When using dual purpose wheels always use the correct guard for the application being performed.** Failure to use the correct guard may not provide the desired level of guarding, which could lead to serious injury.

## 4. Additional safety warnings specific for cutting-off operations

- a. **Do not “jam” the cut-off wheel or apply excessive pressure. Do not attempt to make an excessive depth of cut.** Overstressing the wheel increases the loading and susceptibility to twisting or binding of the wheel in the cut and the possibility of kickback or wheel breakage.
- b. **Do not position your body in line with and behind the rotating wheel.** When the wheel, at the point of operation, is moving away from your body, the possible kickback may propel the spinning wheel and the power tool directly at you.
- c. **When the wheel is binding or when interrupting a cut for any reason, switch off the power tool and hold it motionless until the wheel comes to a complete stop. Never attempt to remove the cutoff wheel from the cut while the wheel is in motion otherwise kickback may occur.** Investigate and take corrective action to eliminate the cause of wheel binding.
- d. **Do not restart the cutting operation in the workpiece. Let the wheel reach full speed and carefully re-enter the cut.** The wheel may bind, walk up or kickback if the power tool is restarted in the workpiece.
- e. **Support panels or any oversized workpiece to minimize the risk of wheel pinching and kickback.** Large workpieces tend to sag under their own weight. Supports must be placed under the workpiece near the line of cut and near the edge of the workpiece on both sides of the wheel.
- f. **Use extra caution when making a “pocket cut” into existing walls or other blind areas.** The protruding wheel may cut gas or water pipes, electrical wiring or objects that can cause kickback.
- g. **Do not attempt to do curved cutting.** Overstressing the wheel increases the loading and susceptibility to twisting or binding of the wheel in the cut and the possibility of kickback or wheel breakage, which can lead to serious injury.
- h. **Do not use type 1 abrasive wheels designed for straight grinding.**

SAVE THESE INSTRUCTIONS

## Safety Rules for Cordless Angle Grinders

- i. Do not attempt to cut large stock or sheets of metal as this machine is not designed to be a dedicated cut-off machine.

### 5. Safety warnings specific for sanding operations

- a. Use proper sized sanding disc paper. Follow manufacturers recommendations, when selecting sanding paper. Larger sanding paper extending too far beyond the sanding pad presents a laceration hazard and may cause snagging, tearing of the disc or kickback.

### 6. Safety warnings specific for wire brushing operations

- a. Be aware that wire bristles are thrown by the brush even during ordinary operation. Do not overstress the wires by applying excessive load to the brush. The wire bristles can easily penetrate light clothing and/or skin.
- b. If the use of a guard is specified for wire brushing, do not allow any interference of the wire wheel or brush with the guard. Wire wheel or brush may expand in diameter due to work load and centrifugal forces.

## Additional Safety Warnings

**Do not use AC only rated tools with a DC power supply.** While the tool may appear to work, the electrical components of the AC rated tool are likely to fail and create a hazard to the operator.

**Keep handles dry, clean and free from oil and grease.** Slippery hands cannot safely control the power tool.

**Use clamps or other practical way to secure and support the workpiece to a stable platform.** Holding the work by hand or against your body is unstable and may lead to loss of control.

**Develop a periodic maintenance schedule for your tool. When cleaning a tool be careful not to disassemble any portion of the tool since internal wires may be misplaced or pinched or safety guard return springs may be improperly mounted.** Certain cleaning agents such as gasoline, carbon tetrachloride, ammonia, etc. may damage plastic parts.

**Do not use vacuum or other dust collection system when cutting metal.** Sparks from metal cutting can cause fire in the collector.

**⚠ WARNING** Some dust created by power sanding, sawing, grinding, drilling, and other construction activities contains chemicals known to cause cancer, birth defects or other reproductive harm. Some examples of these chemicals are:

- Lead from lead-based paints,
- Crystalline silica from bricks and cement and other masonry products, and
- Arsenic and chromium from chemically-treated lumber.

Your risk from these exposures varies, depending on how often you do this type of work. To reduce your exposure to these chemicals: work in a well ventilated area, and work with approved safety equipment, such as those dust masks that are specially designed to filter out microscopic particles.

SAVE THESE INSTRUCTIONS

## Intended Use

**⚠ WARNING** Use this grinder only as intended. Unintended use may result in personal injury and property damage.

This grinder is intended for use on metal, concrete, or masonry materials, for removal of surface imperfections such as welds, burrs, rust, or paint, as well as for concrete surface preparation.








Using proper optional attachments, such as Type A (1A/41) Cutting Guard this grinder may be used for cutting small metal pipe or rod. Also, when Type F (1A/41) Cutting Guard with Foot Plate, and provisions for dust extraction is used, together with Diamond Wheel, cutting masonry and concrete is possible.

Specially designed Type E Dust Extraction Attachment is available, and must be used, when diamond cup wheels will be mounted on this grinder for concrete surfacing operations.

Do not use this grinder for cutting, grinding, or carving wood or plastic materials.

## Symbols

**Important:** Some of the following symbols may be used on your tool. Please study them and learn their meaning. Proper interpretation of these symbols will allow you to operate the tool better and safer.

Symbol	Designation/Explanation
V	Volts (voltage)
A	Amperes (current)
Hz	Hertz (frequency, cycles per second)
W	Watt (power)
kg	Kilograms (weight)
min	Minutes (time)
s	Seconds (time)
∅	Diameter (size of drill bits, grinding wheels, etc.)
$n_0$	No load speed (rotational speed, at no load)
n	Rated speed (Maximum attainable speed)
.../min	Revolutions or reciprocation per minute (revolutions, strokes, surface speed, orbits etc. per minute)
0	Off position (zero speed, zero torque...)
1, 2, 3, ... I, II, III,	Selector settings (speed, torque or position settings. Higher number means greater speed)
	Infinitely variable selector with off (speed is increasing from 0 setting)
	Arrow (action in the direction of arrow)
	Alternating current (type or a characteristic of current)
	Direct current (type or a characteristic of current)
	Alternating or Direct current (type or a characteristic of current)
	Class II construction (designates Double Insulated Construction tools)
	Earthing terminal (grounding terminal)

## Symbols

**Important:** Some of the following symbols may be used on your tool. Please study them and learn their meaning. Proper interpretation of these symbols will allow you to operate the tool better and safer.

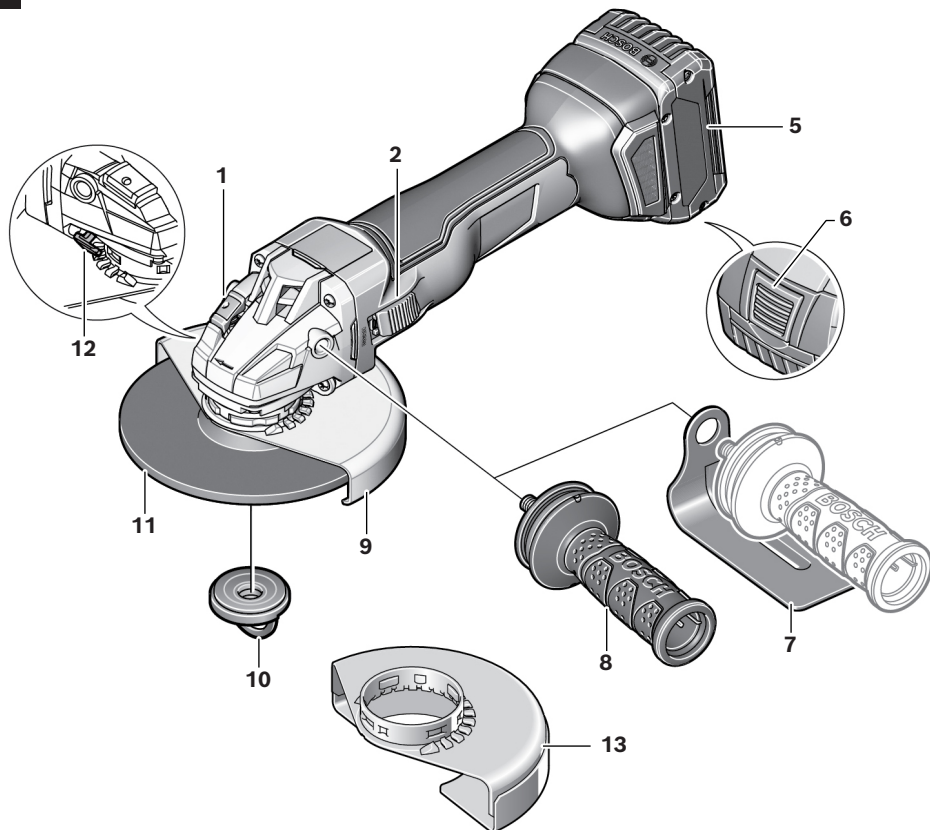
Symbol	Designation/Explanation
	Designates Li-ion battery recycling program.
	Alerts user to read manual.
	Alerts user to wear eye protection.
	Alerts user to wear hearing protection.
	Alerts user to wear respiratory protection.
	Alerts user to wear eye, respiratory, and hearing protection.
	Alerts user to hold tool with both hands.
	The Type B (27) Grinding Guard must not be used for cutting.
	This symbol designates that this tool is listed by Underwriters Laboratories, to United States and Canadian Standards.
	This symbol designates that this tool is listed by the Canadian Standards Association.
	This symbol designates that this tool is listed by the Canadian Standards Association, to United States and Canadian Standards.
	This symbol designates that this tool is listed by the Intertek Testing Services, to United States and Canadian Standards.

## Getting to Know Your Angle Grinder

**⚠ WARNING** Disconnect battery pack from tool before making any assembly, adjustments or changing accessories. Such preventive safety measures reduce the risk of starting the tool accidentally.

### GWS18V-10 Cordless Angle Grinder with Slide Switch

Fig. 1

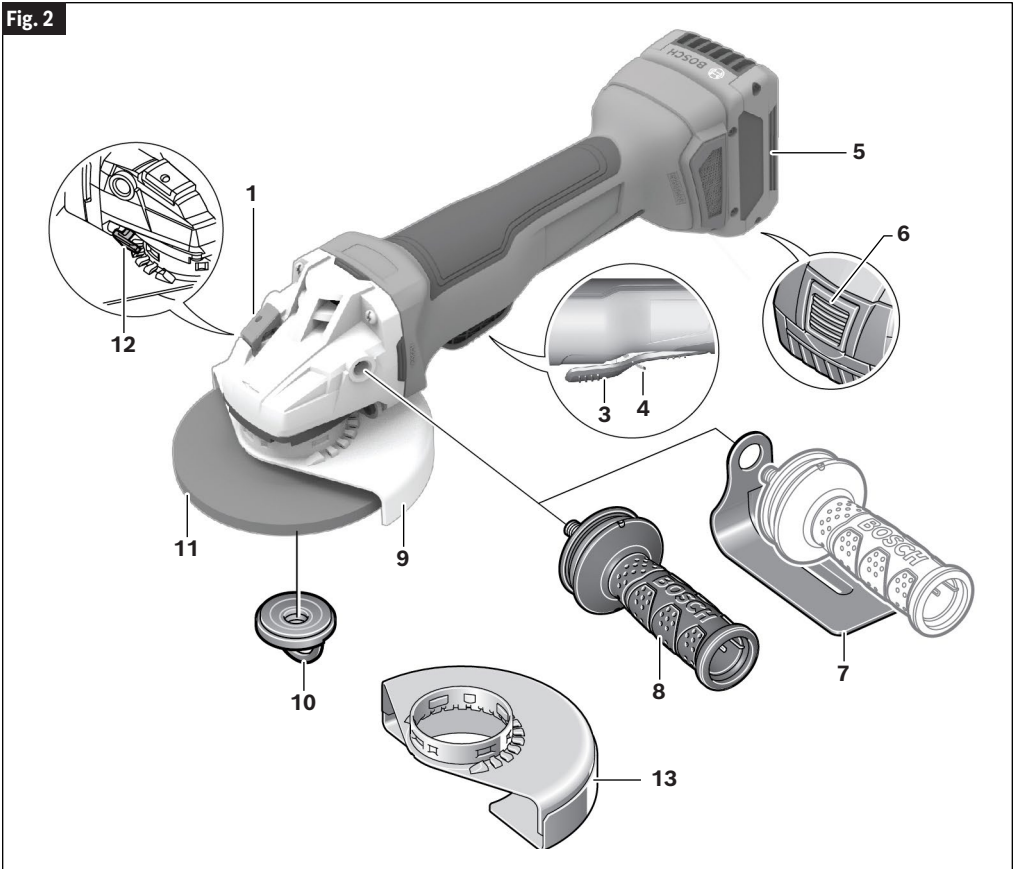




# Getting to Know Your Angle Grinder

## GWS18V-10P Cordless Angle Grinder with Paddle Switch

Fig. 2



- |  |  |
|--|--|
| 1 Spindle Lock                                 | 8 Vibration Control Side Handle        |
| 2 Slide Switch (GWS18V-10)                     | 9 Type B (27) Grinding Wheel Guard     |
| 3 Paddle Switch (GWS18V-10P)                   | 10 Quick-Clamping Nut                  |
| 4 "Lock-Off" Switch Release Lever (GWS18V-10P) | 11 Type 27 Grinding Wheel*             |
| 5 Battery Pack                                 | 12 Guard Release Lever                 |
| 6 Battery Pack Release Button                  | 13 Type A (1A/41) Cutting Wheel Guard* |
| 7 Hand Shield*                                 |  |

\* sold separately

## Specifications

Model Number	GWS18V-10	GWS18V-10P
Battery	18V (Bosch or AMPShareSeries)	18V (Bosch or AMPShareSeries)
Rated speed	n 9,000/min	n 9,000/min
Switch Type	Slide	Paddle
Run-Down Brake	Included	Included
Spindle thread	5/8"-11 UNC	5/8"-11 UNC
Max. spindle length	9/16" (14,3 mm)	9/16" (14.3 mm)
Max. Type 27 grinding wheel Ø	5" (125 mm)	5" (125 mm)
Type 27 grinding wheel thickness	0.25" (6mm)	0.25" (6mm)
Max. Type 41/1A, 27A cutting wheel Ø	5" (125 mm)	5" (125 mm)
Max. flap disc Ø	5" (125 mm)	5" (125 mm)
Max. sanding disc Ø	5" (125 mm)	5" (125 mm)
Max. wire wheel Ø	5" (125 mm)	5" (125 mm)
Max. wire wheel face width (thickness)	1/2" (12.7 mm)	1/2" (12.7 mm)
Max. wire cup brush Ø	3" (76 mm)	3" (76 mm)
Allowed ambient temperature		
- during charging:	+32 °F...+95 °F (0 °C...+35 °C)	
- during operation:	-4 °F...+122 °F (-20 °C...+50 °C)	
- during storage:	-4 °F...+122 °F (-20 °C...+50 °C)	

# Applications

Model Number	GWS18V-10	GWS18V-10P
Metal Grinding (Type 27)	X	X
Metal Grinding (Type 11)	N	N
Metal Cutting (Type 41/1A)	O	O
Concrete Surfacing	O	O
Concrete/Masonry Cutting	O	O
Sanding	O	O
Wire Brushing (Wheel)	X	X
Wire Brushing (Cup)	O	O

X = Tool is provided with attachments to perform this application.

O = Tool can use optional attachments to perform this application.

N = Tool is not capable of this application.

Accessory speed rating must be equal to or greater than the tool's speed rating. Do not exceed the recommended wheel diameter.

**⚠ WARNING** Do not use Type 11 abrasive (cup) wheels with this tool. This tool is not designed for use with type 11 (cup) abrasive grinding wheels.

### Battery Packs / Chargers:

Please refer to the battery/charger list, included with your tool.

**NOTE:** For tool specifications refer to the nameplate on your tool.

## Functional Descriptions

### Kickback Control

The electronics in the power tool detects situations where the wheel or accessory may be at risk to bind. The electronics prevents further rotation of the drive spindle by switching the power tool off (it does not prevent kickback). To resume operation, turn on/off switch to the off position, then restart tool.

### Automatic Restart Protection

Helps prevent accidental startups after power has been interrupted, e.g. the tool was unplugged with the switch locked in the on position. To resume operation, turn on/off switch to the off position, then restart the tool.

### Overload Protection

Helps protect tool from excessive heat that may damage motor. If tool stops or slows during operation, allow motor to cool for 30 seconds

by running no-load. If the overload protection stops the tool repeatedly, excessive force is causing the tool to overload. Stop excessive force and readjust work piece to reduce force applied.

### Drop Control

The power tool is equipped with sensors that detect impact to the grinder. The tool will turn off if it is dropped on most hard surfaces from height greater than one foot, or hit with force approximately equivalent to more than a one foot drop. After any impact or activation of the shut off feature, always inspect the grinder and the battery for signs of damage and do not use the tool or the battery if any damage is suspected.

## Brake Operation

**⚠ WARNING** Let the grinder accessory come to a complete stop before setting the tool down. The brake action of this grinder is not intended as a safety feature. Using the appropriate guard when operating the grinder is your best protection against unintentional contact with a spinning accessory. Unintended contact with a rotating accessory can cause property damage and/or personal injury.

**⚠ WARNING** Know the charge state of your battery. The electric braking action is initiated ONLY by the release of the trigger switch and in a tool that has power available. When electrical power is lost due to a discharged battery or other causes, the electric brake will not operate and the motor will gradually slow down. Unexpected run down time may cause property damage and/or personal injury.

Your grinder is equipped with an automatic electric brake which is designed to rapidly stop the accessory from spinning after you release the trigger switch. This feature helps improve jobsite productivity.

Braking starts once the power is turned off. The brake requires a charged battery to function. Stopping time will vary depending on, among other factors, accessory used, and number of actuations. The electric brake of your grinder has been designed for a high degree of reliability, but unexpected circumstances such as contamination or failure of the motor's components can cause the brake to not activate. If the tool operates but the brake does not consistently stop the accessory, DO NOT use the grinder and have it serviced by a Bosch Factory Service Center or Bosch authorized service facility.

# Assembly

**⚠ WARNING** Disconnect battery pack from tool before making any assembly, adjustments or changing accessories. Such preventive safety measures reduce the risk of starting the tool accidentally.

## Wheel Guard Installation

**⚠ WARNING** Wheel guard must be attached when using disc grinding or cutting wheels. Always keep wheel guard between you and your work while grinding or cutting.

### To Attach Wheel Guard

(Fig. 1, Fig. 2, Fig. 3, Fig. 4)

Disconnect the Battery Pack 5 from the tool.

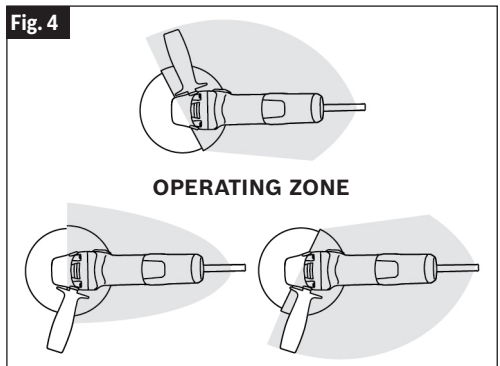
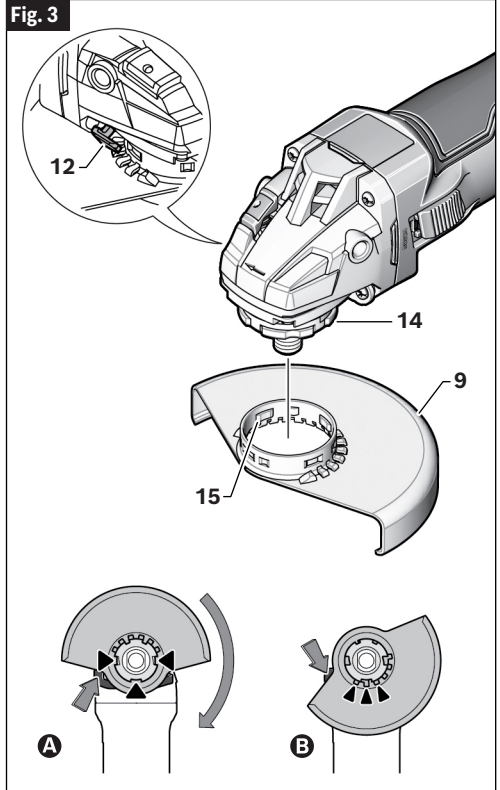
Place the Guard 9 on the Guard Mounting Flange 14 until the Keys on the Guard 15 line up with the Notches in the Guard Mounting Flange 14 A.

Press the Guard 9 onto the Guard Mounting Flange 14 until the shoulder of the Guard 9 is seated against the Guard Mounting 14 of the tool, and turn the Guard 9 until it can clearly be heard to engage.

Press and hold the Guard Release Lever 12, and adjust the position of the Guard 9 to the general operating zone. To complete the adjustment, hold the grinder in a working position, press the Guard Release Lever 12 upward and turn the Guard 9 until it clicks into place, then adjust as needed.

- Always adjust the Guard 9 in such a manner that all three red cams of the Guard Release Lever 12 engage into the corresponding Notches on the Guard B.
- Always position the Wheel Guard 9 between the operator and the workpiece, and direct sparks away from operator.
- The Guard 9 should turn only upon actuation of the Guard Release Lever 12! Otherwise the tool may not continue to be used under any circumstances and must be taken to an after-sales service agent.

**Note:** The Keys on the Guard 15 ensure that only a Guard 9 that fits the tool type can be mounted.



# Assembly

## To Remove the Guard

(Fig. 3)

Press the Guard Release Lever **12**, rotate the Guard **9** until the Keys on the Guard **15** line up with the Notches on the Guard Mounting Flange **14**, and lift the Guard **9** off the Guard Mounting Flange **14**.

## Vibration Control Side Handle

(Fig. 1, Fig. 2)

The side handle is used to control and balance the tool. The handle must be threaded into the front housing on either side of the tool, depending on personal preference and comfort. Use the side handle for safe control and ease of operation.

## Hand Shield (sold separately)

(Fig. 1, Fig. 2)

The Hand Shield **7** is to be used with backing pads, sanding discs and wire brushes to keep fingers and hand away from work surface, sharp edges, burrs and debris. When using the optional Hand Shield **7** accessory insert side handle through hole in the Hand Shield **7** and then thread into housing.

Ensure that Hand Shield **7** is positioned between hand and backing pad, sanding disc, or wire brush.

## Quick-Clamping Nut

(Fig. 1, Fig. 2, Fig. 5, Fig. 6)

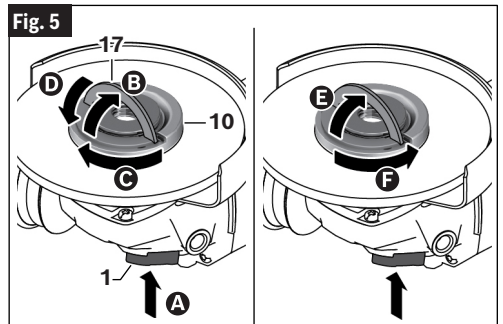
**⚠ WARNING** Only use accessories with **Maximum Safe Operating Speed** rated at least equal to the **maximum speed marked on the power tool**. This speed is based on the strength of the wheel. It is not meant to imply a best or most efficient operating speed. Do not exceed the Maximum Safe Operating Speed.

Use the Quick-Clamping Nut **10** to secure the grinding/cutting disc without the need for additional tools. Only use the Quick-Clamping Nut **10** for grinding/cutting discs up to a maximum diameter of 5" (125 mm).

- **The Quick-Clamping Nut 10 may be used only for grinding or cutting discs.**
- **Only use Quick-Clamping Nut 10 that are in good working order and not damaged.**
- **When screwing on, make sure that the printed side of the Quick-Clamping Nut 10 is not facing the grinding disc.**

Press the Spindle Lock Button **1** to lock the grinding Spindle **18** **A**. To tighten the Quick-Clamping Nut **10**, lift the Fold-Up Bar **17** **B** and turn the Quick-Clamping Nut **10** firmly clockwise **C**. Then push down the Fold-Up Bar **17** **D** to secure the Quick-Clamping Nut **10**. It is not sufficient to tighten the disc along the edge.

A properly secured, undamaged Quick-Clamping Nut **10** can be removed by hand. To do this, lift the Fold-Up Bar **17** **E** and turn the Quick-Clamping Nut **10** firmly counterclockwise **F**. If the Quick-Clamping Nut **10** is stuck, do not attempt to loosen it with a tool – always use a lock nut wrench.

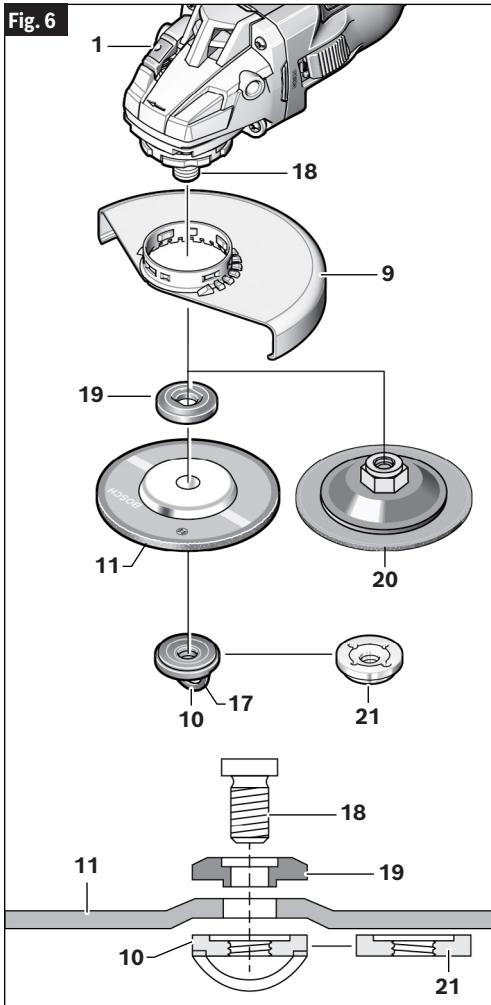


# Assembly

## Lock Nut and Backing Flange

(Fig. 6)

Your tool is equipped with a threaded Spindle **18** for mounting accessories. Always use the supplied Quick-Clamping Nut **10** or the original BOSCH Lock Nut **21** (which you can buy separately), and backing flange, that has the same thread size as the Spindle **18**. The Backing Flange **19** is keyed to the Spindle **18**. If you use the original BOSCH Lock Nut **21**, always make sure that the lock nut is tightened correctly with a compatible lock nut wrench.



## Disc Grinding Wheel Assembly

**⚠ WARNING** Do not use accessories that run eccentrically. The tool will vibrate excessively and may cause loss of control and the accessory may burst.

### To Attach Grinding Wheel

(Fig. 1, Fig. 2, Fig. 5, Fig. 6, Fig. 7)

1. Disconnect the Battery Pack **5** from the tool.
2. Be sure that the Type B (27) Wheel Guard **9** is in place for grinding.
3. Place the Backing Flange **19** and Type 27 Grinding Wheel **11** on the Spindle **18**. Make sure the Backing Flange **19** locks into the base of the Spindle **18**.
4. Thread on the Quick-Clamping Nut **10**, and tighten the nut using the Fold-Up Bar **17**, while holding the Spindle Lock **1**. (You can also use an original BOSCH Lock Nut **21**, sold separately.)

TO REMOVE: Reverse the procedure.

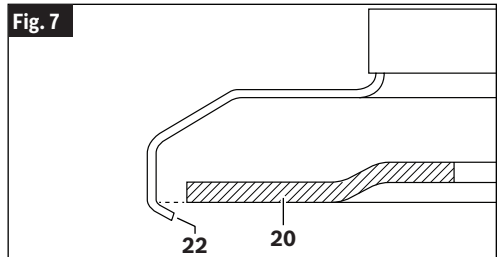
### When Using Spin-On Wheels

(Fig. 6, Fig. 7)

Follow steps 1 and 2 in "To Attach Grinding Wheel," then thread the Type 27 Spin-On Grinding Wheel **20** directly onto the Spindle **18** without using the supplied flanges. Always make sure that the Spin-On Grinding Wheel **20** is tightened correctly with an open-end wrench (not supplied).

TO REMOVE: Reverse procedure.

All parts of a Type 27 Spin-On Grinding Wheel **20** must be within the Lip of the Wheel Guard **22**. If the Spin-On Grinding Wheel **20** is past the lip of the Wheel Guard **22**, do not use that wheel as it does not fit on this grinder.



# Assembly

## Abrasive TYPE 41/1A and 27A/42 Wheel Assembly

(Fig. 1, Fig. 2, Fig. 5, Fig. 8)

**⚠ WARNING** Always use Type A (1A/41) Cutting Wheel Guard for cutting.

Using the optional Type A (1A/41) Cutting Wheel Guard **13**, it is possible to perform limited cutting on small stock such as metal tubes, piping or rebar.

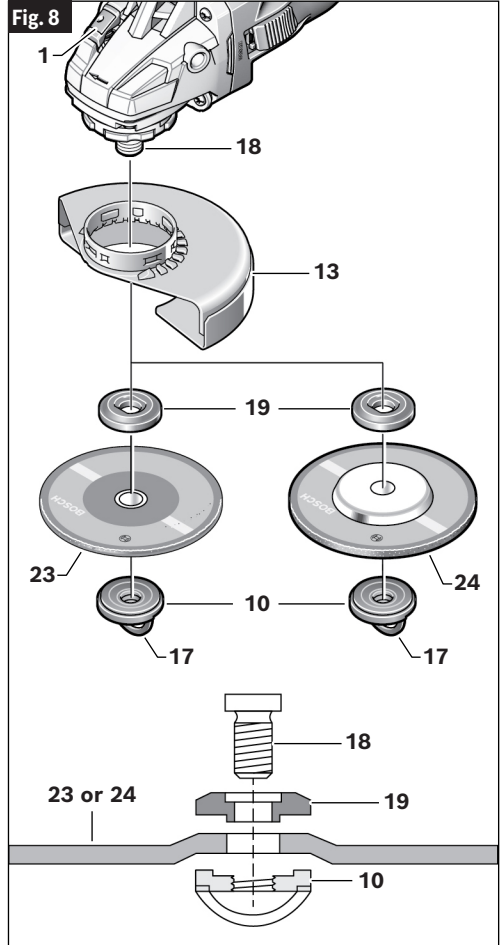
Do not attempt to cut large stock or sheets of metal as this tool is not designed to be a dedicated cutting tool.

1. Disconnect the Battery Pack **5** from the tool.
2. Be sure that the Type A (1A/41) Cutting Wheel Guard **13** is in place for cutting.
3. When using mounting wheels, thread the Backing Flange **19** onto the Spindle **18**, then place the Type 41/1A Cutting Wheel **23** or Type 27A/42 Cutting Wheel **24** on the Backing Flange **19**.
4. Thread on the Quick-Clamping Nut **10** and tighten the Nut **10** using the Fold-Up Bar **17**, while holding the Spindle Lock **1**.

TO REMOVE: Reverse the procedure.

## Type 1 Abrasive Straight Grinding Wheels

**⚠ WARNING** Do not use Type 1 abrasive wheels designed for straight/die grinding. This tool is not designed for use with Type 1 abrasive straight/die grinding wheels.





# Assembly

## Sanding Accessories Assembly

### Backing Pad

**⚠ WARNING** Before attaching a backing pad be sure its maximum safe operating speed is not exceeded by the nameplate speed of the tool.

**⚠ WARNING** Wheel guard may not be used for most sanding operations. Always reinstall wheel guard when converting back to grinding operations.

**⚠ WARNING** Do not use the Quick-Clamping Nut with backing pad for sanding accessories.

### To Install Backing Pad and Sanding Disc (Not Included)

(Fig. 1, Fig. 2, Fig. 9)

Disconnect the Battery Pack 5 from the tool.

Attach the Hand Shield 7. Set the tool on its top side (Spindle 18 up). Place the Rubber Backing Pad 25 onto the Spindle 18 shaft. Center the Sanding Disc 26 on top of the Backing Pad 25. Insert the Backing Pad Lock Nut 27 through the Sanding Disc 26, and thread it onto the Spindle 18 as far as you can with your fingers. Press in the Spindle Lock 1, then tighten the Backing Pad Lock Nut 27 securely with a lock nut wrench.

TO REMOVE: Reverse the procedure.

### Wire Cup Brush Assembly

(Fig. 1, Fig. 2, Fig. 9)

Disconnect the Battery Pack 5 from the tool. Attach the Hand Shield 7. Wire Cup Brushes 28 are equipped with their own threaded hub. Simply thread the Wire Cup Brush 28 onto the Spindle 18. Be sure to seat the Brush 28 against the shoulder before turning the tool "ON."

TO REMOVE: Reverse procedure.

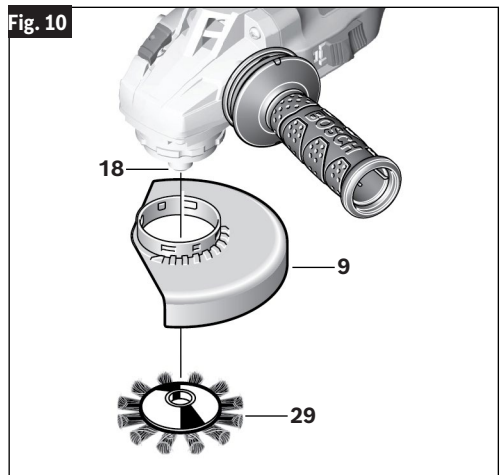
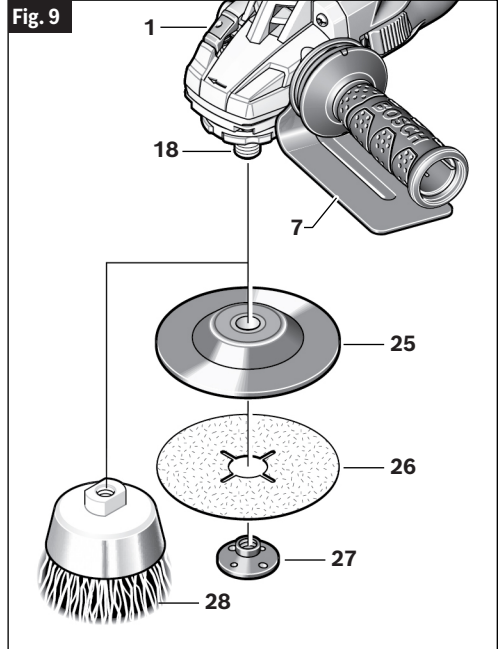
### Wire Wheel Assembly

(Fig. 1, Fig. 2, Fig. 10)

Disconnect the Battery Pack 5 from the tool. Install the Type B (27) Wheel Guard 9. Wire Wheels 29 are equipped with their own threaded hub. Simply thread the Wire Wheel 29 onto

the Spindle 18. Be sure to seat the Wire Wheel 29 against shoulder before turning tool "ON."

TO REMOVE: Reverse the procedure.



# Assembly

## Type E (Diamond Surface Grinding Wheel Guard) with Concrete Dust Extraction Attachment for Surfacing Grinding Assembly

**⚠ WARNING** A Type B (27) grinding wheel guard may not be used for all tool operations. Do not discard guard when not in use. Always reinstall wheel guard when converting back to grinding operations.

**⚠ WARNING** Dust Extraction Attachment is not a guard, do not use with bonded abrasive wheels. Dust extraction attachment may not protect operator in the event of a wheel burst.

### To Install Concrete Dust Extraction Attachment

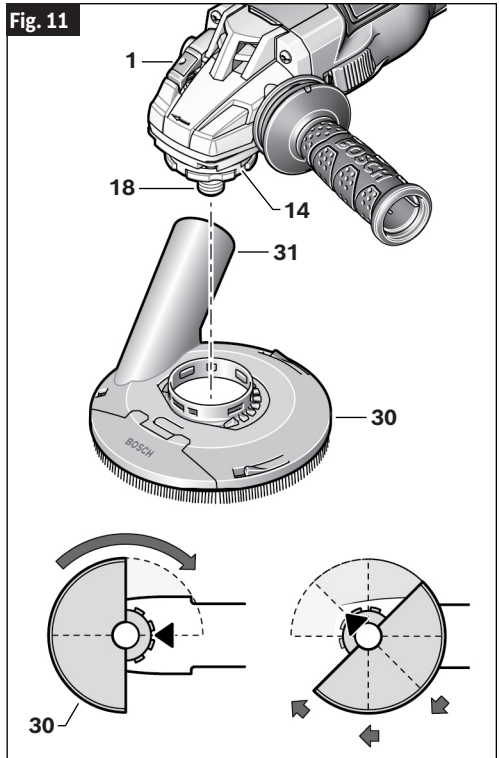
(Fig. 1, Fig. 2, Fig. 3, Fig. 5, Fig. 11)

1. Disconnect the Battery Pack **5** from the tool.
2. Position the Concrete Dust Extraction Attachment **30** on the Guard Mounting Flange **14** with the Dust Port **31** pointing away from the tool body.
3. Rotate the Concrete Dust Extraction Attachment **30** clockwise 90° until it clicks in place.
4. Adjust the Concrete Dust Extraction Attachment **30** by depressing the Wheel Guard Release Lever **12** and rotate the Concrete Dust Extraction Attachment **30** to the desired position.
5. Allow the Wheel Guard Release Lever **12** to click in place.
6. Place the Backing Flange **19** on the Spindle **18**.
7. Place the diamond cup wheel onto the Spindle **18**, and align it with the Backing Flange **19**.
8. Thread on the Quick-Clamping Nut **10** and tighten the Nut **10** using the Fold-Up Bar **17**, while holding the Spindle Lock **1**.

When using spin on wheels, follow steps 1 - 5, then thread the wheel directly onto the Spindle **18** without using the supplied flanges.

TO REMOVE: Reverse procedure.

Fig. 11



# Assembly

## Masonry Cutting Guard Assembly

**⚠ WARNING** A Type B (27) grinding wheel guard may not be used for all tool operations. Do not discard guard when not in use. Always reinstall wheel guard when converting back to grinding operations.

To improve ergonomics of your grinder when cutting masonry, gearbox must be rotated relative to the position of the switch as the tool was assembled at the factory.

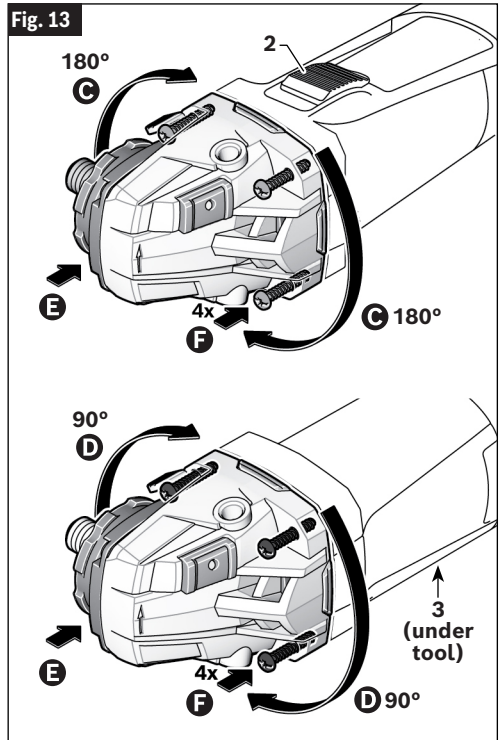
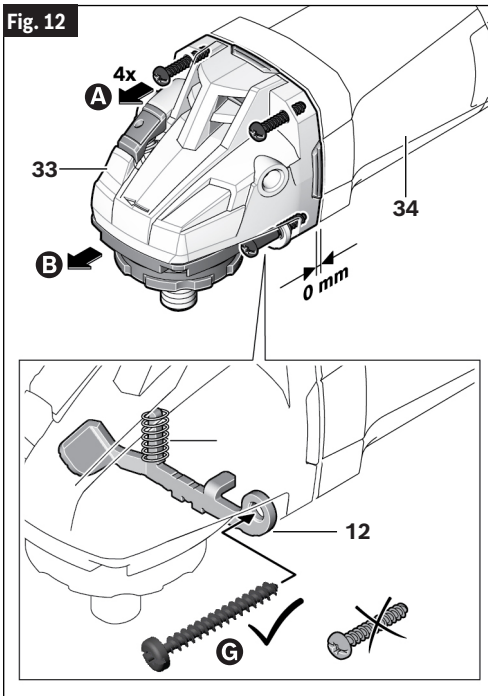
### Rotate Gearbox

(Fig. 1, Fig. 2, Fig. 12, Fig. 13)

1. Disconnect the Battery Pack **5** from the tool.
2. Completely unscrew the four screws securing the Gear Housing **33** to the Motor Housing **34**.
3. Rotate the Gear Housing **33** to the proper orientation without removing motor body from the Motor Housing **34**.

- For the slide switch models, rotate gear housing 180 degrees, so the Slide Switch **2** is 90 degrees from the Spindle **18** **B C E**.
- For the paddle switch models, rotate the Gear Housing **33** 90 degrees, so the Paddle Switch **3** is facing the workpiece **B D E**.

4. Screw in and tighten the four screws you removed **F**.
5. The screw holding the Guard Release Lever **12** is longer than the other screws **G**. This long screw must stay with the Guard Release Lever **12** when re-attaching the Gear Housing **33** for the Guard Release Lever **12** to operate properly.
6. Attach proper dust collection guard with foot and accessory.



# Assembly

## Installing a Masonry Type F (1A/41) Cutting Guard with Foot Plate

(Fig. 1, Fig. 2, Fig. 12, Fig. 13, Fig. 14)

1. Adjust the tool as shown in Fig. 12 and Fig. 13.
2. Disconnect the Battery Pack **5** from the tool.
3. Unscrew and remove the Side Handle **8**.
4. Slide the Masonry Cutting Guard **36** on the Guard Mounting Flange **14**.
5. Rotate the Masonry Cutting Guard **36** until the stability bracket and hole for the side handle are aligned.
6. Screw in the Side Handle **8** to secure the stability bracket between the tool housing and the Handle **8**.
7. Adjust the Masonry Cutting Guard **36** to desired depth of cut.

TO REMOVE: Reverse procedure.

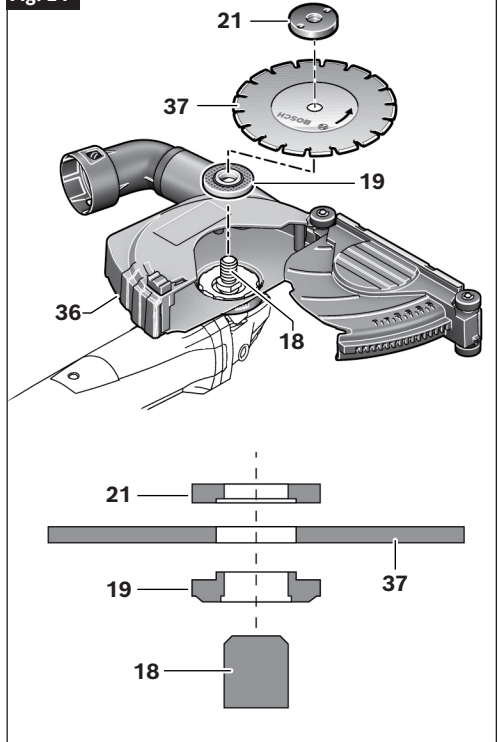
## Installing a Dry Diamond Wheel

(Fig. 1, Fig. 2, Fig. 5, Fig. 14)

1. Place the Backing Flange **19** on the Spindle **18**. Turn Flange **19** until it locks with the base of the Spindle **18**.
2. Place the Dry Diamond Wheel **37** over the Spindle **18** and align the arbor hole with the shoulder of the Backing Flange **19**.
3. Thread on the Quick-Clamping Nut **10** and tighten the Nut **10** using the Fold-Up Bar **17**, while holding the Spindle Lock **1**.

TO REMOVE: Reverse procedure.

Fig. 14



## Inserting and Releasing Battery Pack

(Fig. 1, Fig. 12, Fig. 15)

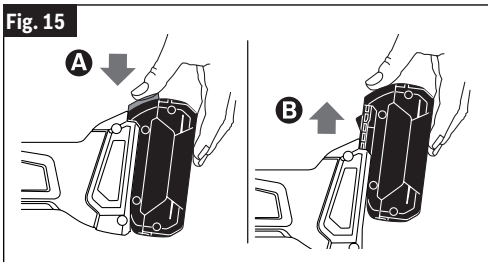
This tool is equipped with Automatic Restart Protection. This feature helps prevent accidental startups after power has been interrupted, e.g. the Battery Pack **5** was removed with the Slide Switch **2** locked in the on position. To resume operation, turn the Slide Switch **2** to the OFF position, and back to the ON position to restart the tool.

Make sure that the Slide Switch **2** is in the OFF position before inserting or removing the Battery Pack **5**. To insert the Battery Pack **5**, slide it into the Motor Housing **34** until the Battery Pack **5** locks into position **A**.

To remove the Battery Pack **5**, press the Battery Pack Release Button **6** and slide the Battery Pack **5** forward.

Your tool is equipped with a secondary locking latch to prevent the Battery Pack **5** from completely falling out of the Motor Housing **34**, should it become loose due to vibration.

Press the Battery Pack Release Button **6** again and slide the Battery Pack **5** completely out of the Motor Housing **34** **B**.



# Operating Instructions

**⚠ WARNING** Never leave the switch locked “ON”. Before inserting the battery pack, check that the switch is in the “OFF” position. Accidental start-ups could cause injury.

**⚠ WARNING** Be aware of the location and setting of the switch “Lock-ON” button. If the switch is locked “ON” during the use, be ready for emergency situations to switch it “OFF”.

**⚠ WARNING** Do not use the switch “Lock-ON” feature in situations where kickback is likely, such as when working into a corner. When the wheel binds, the tool will kick-back in opposite direction of wheel rotation and the release of the trigger “Lock-ON” may be difficult.

**⚠ WARNING** Hold the tool with both hands while starting the tool. Torque from the motor can cause the tool to twist.

Start the tool before applying to work and let the tool come to full speed before contacting the workpiece. Lift the tool from the work before releasing the switch. DO NOT turn the switch “ON” and “OFF” while the tool is under load; this will greatly decrease the switch life.

## Slide Switch with LockON

### To Turn the Tool ON

(Fig. 16)

Slide the Slide Switch 2 forward towards the Gear Housing 33 until it comes to a stop and the motor starts running A.

For Lock-ON, when the Slide Switch 2 is in the ON position, press the front of the Slide Switch 2 B, and release it. The Slide Switch 2 should remain in the Lock-ON position, and the tool will continue to run.

### To Turn the Tool OFF

(Fig. 16)

Press the rear portion of the Slide Switch 2 C. The Slide Switch 2 is spring loaded and will return to the OFF position automatically.

## Paddle Switch

(Fig. 17)

The Paddle Switch 3 has a Lock-OFF feature to help prevent accidental startups.

### To Turn the Tool ON

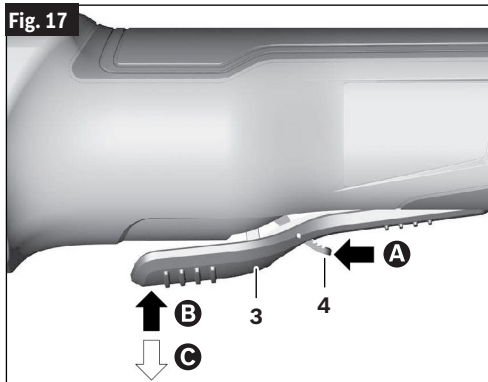
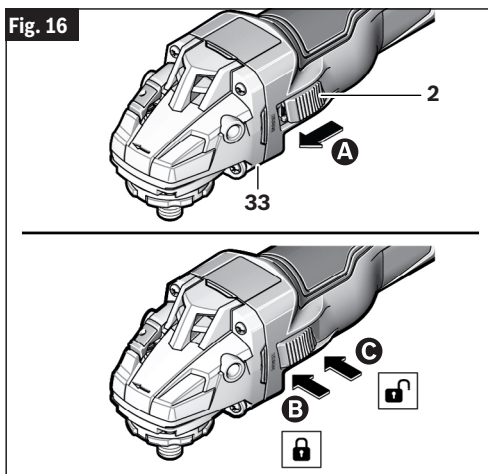
(Fig. 17)

Push the Lock-Off Switch Release Lever 4 forward A to unlock the Paddle Switch 3, then squeeze the Paddle Switch 3 B.

### To Turn the Tool OFF

(Fig. 17)

Release pressure on the Paddle Switch 3 C. The Paddle Switch 3 is spring loaded and will return to the OFF position automatically.



# Operating Instructions

## Grinding

becomes rounded on its edge. New wheels have sharp corners which tend to “bite” or cut into workpiece when pushing forward.

### Selecting Grinding Wheels

**⚠ WARNING** Before using a grinding wheel, be certain that its maximum safe operating speed is not exceeded by the nameplate speed of the grinder. Do not exceed the recommended wheel diameter.

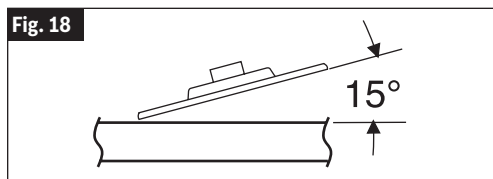
### Grinding Wheels

(Fig. 18)

Grinding wheels should be carefully selected in order to use the grinder most efficiently. Wheels vary in type of abrasive, bond, hardness, grit size and structure. The correct type of wheel to use is determined by the job. Use disc grinding wheels for fast grinding of structural steel, heavy weld beads, steel casting, stainless steel and other ferrous metals.

### Grinding Tips

1. Allow the tool to reach full speed before touching the tool to the work surface.
2. Apply minimum pressure to the work surface, allowing the tool to operate at high speed. Grinding rate is greatest when the tool operates at high speed.
3. Maintain a  $10^{\circ}$  to  $15^{\circ}$  angle between the tool and work surface.



**⚠ WARNING** Excessive or sudden pressure on the wheel will slow grinding action and put dangerous stresses on the wheel.

4. Continuously move the tool at a moderate speed to avoid creating gouges in the work surface.
5. Remove the tool from work surface before turning tool off. Allow the tool to stop rotating before laying it down.

When grinding with a new wheel be certain to grind while pulling tool backwards until wheel

# Operating Instructions

## Cutting

### Metal Cutting

(Fig. 19)

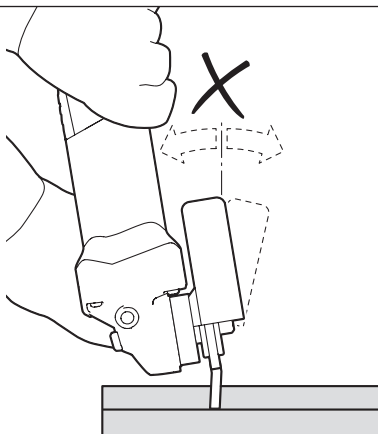
**⚠ WARNING** A Type A (1A/41) Cutting wheel guard may not be included with this tool but is required when using a cutting wheel. Cutting with a type 27 wheel guard may not provide the operator sufficient protection in the event of a wheel burst.

With this grinder it is possible to perform cutting of limited small stock such as metal tubes, piping or rebar. When cutting, work with moderate feed, adapted to the material being cut. When cutting profiles and square bar, it is best to start at the smallest cross section.

Always follow precautions for kickback.

1. Allow the tool to reach full speed before touching the tool to the work surface.
2. The tool should always be used in such way that the sparks are directed away from user.
3. Apply minimum pressure to the work surface, allowing the tool to operate at high speed. Cutting rate is greatest when the tool operates at high speed.
4. Do not exert side pressure onto the cutting disc. Do not tilt or oscillate the tool as wheel may burst.
5. Remove the tool from the work surface before turning the tool off. Allow the tool to stop rotating before laying it down.

Fig. 19



### Masonry / Concrete Cutting

(Fig. 20, Fig. 21)

With this grinder it is possible to perform cutting of concrete and masonry materials. When cutting, work with moderate feed, adapted to the material being cut.

Always follow precautions for kickback.

Operate the tool with a dust extraction system and personal dust protection, e.g. respirator, dust mask, etc. The vacuum used for this application must be approved for the extraction of masonry and concrete dust. Bosch sells suitable vacuum cleaners.

**⚠ WARNING** Never pull the tool backward since blade will climb out of the material and KICKBACK will occur.

1. Allow the tool to reach full speed before touching the tool to the work surface.
2. If plunge cutting:
  - Tilt tool forward with wheel lined up with the cut line and hold the tool

Fig. 20

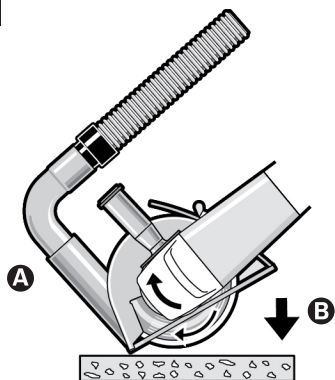
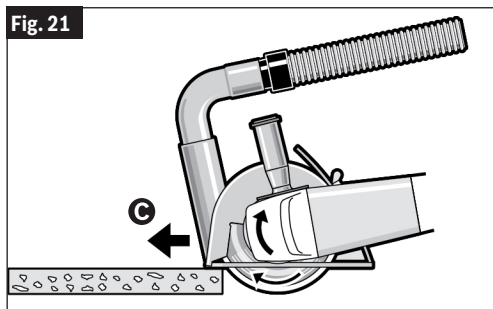


Fig. 21





# Operating Instructions

by the grinder body and the auxiliary handle **A**.

- Gradually lower the rear of tool using the front end of the foot as the hinge point **B**.
  - When the foot rests flat on the surface being cut, proceed cutting in forward direction to end of cut.
3. Always maintain contact between the guard foot and work piece.
  4. Slide the tool forward at a moderate speed adapted to the material being cut. Always cut towards the dust extraction port to maximize dust extraction and reduce likelihood of kickback **C**.
  5. Apply minimum pressure to the work surface, allowing the tool to operate at high speed. Cutting rate is greatest when the tool operates at high speed.
  6. When the cut is completed, remove tool from work piece before turning off. Allow wheel to stop rotating before setting tool down.

**Tip:** When performing deep cuts, it is best to cut in several shallow passes. Each pass should be only to the segment depth of the wheel. Masonry dust is abrasive and may wear and weaken the segment bond.

When cutting especially hard material, e. g., concrete with high pebble content, the dry diamond wheel can overheat and become damaged. This is clearly indicated by circular sparking of the rotating dry diamond wheel. In this case, interrupt the cutting process and allow the dry diamond wheel to cool by running the tool for a short period of time at the maximum speed with no-load.

Noticeable decreasing work progress and circular sparking are indications of a dry diamond wheel that has become dull. Briefly cutting into abrasive materials (e. g. brick) can sharpen the wheel.

## Concrete Surfacing

Operate the tool with a dust extraction system and personal dust protection, e.g. respirator, dust mask, etc. The vacuum used for this application must be approved for the extraction of masonry and concrete dust. Bosch sells suitable vacuum cleaners.

Diamond cup wheels should be carefully selected in order to use the grinder most efficiently. Wheels vary in type of material they are designed to remove and how aggressively they will remove material. The correct wheel to use is determined by the job.

1. Allow the tool to reach full speed before touching the tool to the work surface.
2. Hold the tool with two hands and keep diamond wheel flat on the work surface.
3. Apply minimum pressure, allowing the tool to operate at high speed. Removal rate is greatest when the tool operates at high speed.
4. Continuously move the tool at a moderate speed to avoid creating gouges in the work surface.
5. Remove the tool from work surface before turning tool off. Allow the tool to stop rotating before laying it down.

**Tip:** For optimal dust collection, all sides of the surfacing dust collection guard must stay in contact with the surface and the surfacing guard must be connected to a vacuum. A dull diamond wheel can be sharpened by briefly surfacing an abrasive material (eg. sand stone).

# Operating Instructions

## Sanding Operations

(Fig. 22)

### Selecting Sanding Disc

Sanding discs are made of extremely hard and sharp aluminum oxide grits, phenol-resin bonded to a sturdy fiber backing for fast heavy-duty service and long life. The discs vary as to size and spacing of the abrasive grits. OPEN COAT (type H) – used for soft materials and on paint or varnish. CLOSED COAT (type K) –used for metal, hardwood, stone, marble and other materials.

Sanding discs range in grit from 16 (very coarse) to 180 (very fine). To obtain best results, select sanding discs carefully. Many jobs require the use of several grit sizes and at times both “open coat and closed coat” discs are required to get the job done faster. See chart for application examples.

<b>Operation:</b> Refinishing painted wood or metal surfaces.	
<b>Remarks</b>	<b>Grit</b>
To remove paint and to smooth surface irregularities.	Coarse 16-24-30
To smooth the rough sanding.	Medium 36-50-80
To remove scratches left by previous discs.	Fine 100-120
To smooth surfaces for painting, polishing or waxing.	Very Fine 150-180

### Sanding Tips

For best results, tilt the Disc Sander at a 10° to 15° angle while sanding so that only about 1" of the surface around the edge of the disc contacts the work.

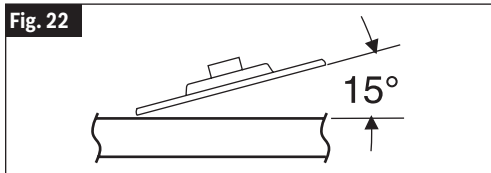


Fig. 22

**⚠ WARNING** If the disc (accessory) is held flat or the back edge of the disc comes in contact with the work, a violent thrust to the side may result.

If sander is tilted too much, sanding action will be too great and a rough cut surface or gouging and snagging will result.

Guide the Disc Sander with crosswise strokes. Be careful not to hold the sander in one spot too long. Do not use a circular motion, as this makes swirl marks. Test before use on scrap stock.

Do not force or apply pressure when sanding. Use only the weight of the tool for pressure. Excess pressure actually slows the tool down. If faster stock removal is desired, change to a coarser grit disc.

Remove gummy paint from metal with an “open coat” disc. Sand until sparks start to appear, then stop and change to a “closed coat” disc to remove any remaining paint.

### Sanding Wood

When sanding wood the direction of the disc motion at the contact point should parallel the grain as much as possible. The rapid cut of discs and the swirl type scratch pattern they occasionally create generally prohibit their use for producing the final finish.

Scratches and circular marks are usually the result of using too coarse a grit. When changing to a finer grit, move across the sanding lines that were made by a previous coarser disc.

### Sanding Metal

When sanding automobiles or appliances, wipe the metal clean with a non-flammable solvent or commercial cleaner to remove all wax and grease. By doing this first, the sanding discs will sand better and last longer.

For heavy duty work, use a coarse grit disc first. Follow-up with a medium grit to remove scratches. To produce smooth finish, use fine grit disc.

# Operating Instructions

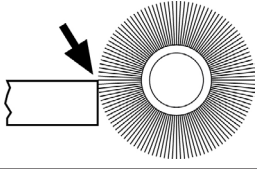
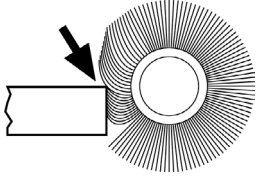
## Wire Brush Operations

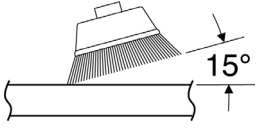
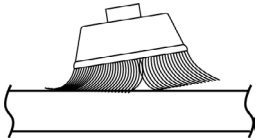
**⚠ WARNING** Avoid bouncing and snagging the wire brush, especially when working corners, sharp edges etc. This can cause loss of control and kick-back.

Wire brushes are intended to “clean” structural steel, castings, sheet metal, stone and concrete. They are used to remove rust, scale and paint.

### Brushing Pressure

1. Remember, the tips of a wire brush do the work. Operate the brush with the lightest pressure so only the tips of the wire come in contact with the work.
2. If heavier pressures are used, the wires will be overstressed, resulting in a wiping action; and if this is continued, the life of the brush will be shortened due to wire fatigue.
3. Apply the brush to the work in such a way that as much of the brush face as possible is in full contact with the work. Applying the side or edge of the brush to the work will result in wire breakage and shortened brush life.

WIRE WHEEL BRUSH	
<b>CORRECT:</b> Wire tips doing the work.	
<b>INCORRECT:</b> Excessive pressure can cause wire breakage.	

WIRE CUP BRUSH	
<b>CORRECT:</b> Wire tips doing the work.	
<b>INCORRECT:</b> Excessive pressure can cause wire breakage.	

## Maintenance

**⚠ WARNING** To avoid accidents, always disconnect the battery pack from tool before servicing or cleaning.

### Service

**⚠ WARNING** NO USER SERVICEABLE PARTS INSIDE. Preventive maintenance performed by unauthorized personnel may result in misplacing of internal wires and components which could cause serious hazard. We recommend that all tool service be performed by a Bosch Factory Service Center or Authorized Bosch Service Station.

### Batteries

Be alert for battery packs that are nearing their end of life. If you notice decreased tool performance or significantly shorter running time between charges then it is time to replace the battery pack. Failure to do so can cause the tool to operate improperly or damage the charger.

### Tool Lubrication

Your Bosch tool has been properly lubricated and is ready for use.

### Motors

The motor in your tool has been engineered for many hours of dependable service. To maintain peak efficiency of the motor, we recommend it be examined every six months. Only a genuine Bosch replacement motor specially designed for your tool should be used.

### Cleaning

**⚠ CAUTION** Certain cleaning agents and solvents damage plastic parts. Some of these are: gasoline, carbon tetrachloride, chlorinated cleaning solvents, ammonia and household detergents that contain ammonia.

Ventilation openings and switch levers must be kept clean and free of foreign matter. Do not attempt to clean by inserting pointed objects through opening.

### Accessory Storage and Maintenance

Store accessories in a cool dry place and avoid freezing. Before use check accessory for cracks and fractures, do not use if damage is suspected.

## Accessories





**⚠ WARNING** Do not use attachments/accessories other than those specified by Bosch. Use of attachments/accessories not specified for use with the tool described in this manual may result in damage to tool, property damage, and or personal injury.

**⚠ WARNING** Do not use Type 11 abrasive (cup) wheels with this tool. This tool is not designed for use with type 11 (cup) abrasive grinding wheels.

Standard equipment	Optional accessories and attachments
<ul style="list-style-type: none"><li>Type B (27) grinding wheel guard</li><li>Quick-clamping nut</li><li>Backing flange</li><li>Side handle</li><li>Lock nut wrench</li></ul>	<ul style="list-style-type: none"><li>Lock nut</li><li>Type A (1A/41) Cutting Wheel guard</li><li>Hand shield</li><li>Backing pad assembly</li><li>Type E concrete surface grinding shroud</li><li>Type F concrete and/or masonry cutting guards</li></ul>

## Symboles relatifs à la sécurité

Les définitions ci-dessous décrivent le niveau de gravité pour chaque terme signalant un danger.  
Veuillez lire le mode d'emploi et lire la signification de ces symboles.

	C'est le symbole d'alerte relatif à la sécurité. Il est utilisé pour vous avertir de l'existence possible d'un danger de lésion corporelle. Obéissez à tous les messages relatifs à la sécurité qui suivent ce symbole pour éviter tout risque de blessure ou même de mort.
	DANGER indique une situation dangereuse qui, si elle n'est pas évitée, causera la mort d'une personne ou une blessure grave.
	AVERTISSEMENT indique une situation dangereuse qui, si elle n'est pas évitée, causera la mort d'une personne ou une blessure grave.
	MISE EN GARDE indique une situation dangereuse qui, si elle n'est pas évitée, causera une blessure légère ou modérée.

## Table des matières

Symboles relatifs à la sécurité . . . . .	33
Consignes générales de sécurité du produit . . . . .	34
Consignes de sécurité additionnelles . . . . .	39
Utilisation prévue . . . . .	40
Symboles . . . . .	41
Familiarisez-vous avec votre meuleuse d'angle . . . . .	43
Spécifications . . . . .	45
Applications . . . . .	46
Descriptions fonctionnelles . . . . .	47
Embrayage électronique . . . . .	47
Protection contre les redémarrages automatiques . . . . .	47
Protection contre les surcharges . . . . .	47
Contrôle des chutes . . . . .	47
Opération de freinage . . . . .	47
Assemblage . . . . .	48
Installation du protecteur de meule . . . . .	48
Poignée latérale antivibrations . . . . .	49
Protège-main en option (accessoire en option) . . . . .	49
Écrou à fixation rapide . . . . .	49
Écrou de blocage et bride d'appui . . . . .	50
Ensemble de meule à disque . . . . .	50
Ensemble de meule abrasive de Type 41/1A et 27A/42 . . . . .	51
Meules abrasives droites de Type 1 . . . . .	51
Ensemble d'accessoires de ponçage . . . . .	52
Type E (dispositif de protection de meule abrasive à surface diamantée) avec attachement d'extraction de poussière de béton pour ensemble de meulage de surfaçage . . . . .	53
Montage du dispositif de protection pour un outil de coupe de maçonnerie . . . . .	54
Insertion et retrait du bloc-piles . . . . .	56
Opération . . . . .	57
Interrupteur coulissant avec LockON (verrouillage en position sous tension) . . . . .	57
Interrupteur à palette . . . . .	57
Meulage . . . . .	58
Travaux de coupe . . . . .	59
Travaux de ponçage . . . . .	61
Brosse métallique . . . . .	62
Entretien . . . . .	63
Service . . . . .	63
Piles . . . . .	63
Graissage de l'outil . . . . .	63
Moteurs . . . . .	63
Nettoyage . . . . .	63
Accessoires . . . . .	63

## Consignes générales de sécurité du produit

**⚠ AVERTISSEMENT** Lisez toutes les consignes de sécurité, instructions, illustrations et spécifications fournies avec cet outil électrique. Le non-respect de toutes les instructions figurant ci-après pourrait causer un choc électrique, un incendie et/ou des blessures graves.

### CONSERVEZ TOUS LES AVERTISSEMENTS ET TOUTES LES INSTRUCTIONS POUR RÉFÉRENCE FUTURE.

Dans les avertissements, le terme « outil électroportatif » se rapporte à votre outil branché sur le secteur (avec fil) ou à votre outil alimenté par piles (sans fil).

#### 1. Sécurité du lieu de travail

- a. **Maintenez le lieu de travail propre et bien éclairé.** Les risques d'accident sont plus élevés quand on travaille dans un endroit encombré ou sombre.
- b. **N'utilisez pas d'outils électroportatifs dans des atmosphères explosives, comme par exemple en présence de gaz, de poussières ou de liquides inflammables.** Les outils électroportatifs produisent des étincelles qui risquent d'enflammer les poussières ou les vapeurs.
- c. **Éloignez les enfants et les visiteurs quand vous vous servez d'un outil électroportatif.** Vous risquez une perte de contrôle si on vous distrait.

#### 2. Sécurité électrique

- a. **Les fiches des outils électroportatifs doivent correspondre à la prise. Il ne faut absolument jamais modifier la fiche. N'utilisez pas d'adaptateur de prise avec des outils électroportatifs munis d'une fiche de terre.** Le risque de choc électrique est moindre si on utilise une fiche non modifiée sur une prise qui lui correspond.
- b. **Évitez tout contact du corps avec des surfaces reliées à la terre tels que tuyaux, radiateurs, gazinières ou réfrigérateurs.** Le risque de choc électrique augmente si votre corps est relié à la terre.
- c. **N'exposez pas les outils électroportatifs à la pluie ou à l'humidité.** Si de l'eau pénètre dans un outil électroportatif, le risque de choc électrique augmente.
- d. **Ne maltraitez pas le cordon. Ne vous en servez jamais pour transporter l'outil électroportatif, pour le tirer ou pour le débrancher. Éloignez le cordon de la chaleur, des huiles, des arêtes coupantes ou des pièces mobiles.** Les cordons abîmés ou emmêlés augmentent les risques de choc électrique.
- e. **Si vous utilisez un outil électroportatif à l'extérieur, employez une rallonge conçue pour l'extérieur.** Ces rallonges sont faites pour l'extérieur et réduisent le risque de choc électrique.

- f. **S'il est absolument nécessaire d'utiliser l'outil électroportatif dans un endroit humide, utilisez une alimentation protégée par un disjoncteur de fuite de terre (GFCI).** L'utilisation d'un disjoncteur GFCI réduit les risques de choc électrique.

#### 3. Sécurité personnelle

- a. **Restez concentré, faites attention à ce que vous faites, et servez-vous de votre bon sens lorsque vous utilisez un outil électroportatif. N'employez pas d'outils électroportatifs quand vous êtes fatigué ou sous l'emprise de drogues, d'alcool ou de médicaments.** Quand on utilise des outils électroportatifs, il suffit d'un moment d'inattention pour causer des blessures corporelles graves.
- b. **Utilisez des équipements de sécurité personnelle.** Portez toujours une protection oculaire. Le port d'équipements de sécurité tels que des masques anti-poussières, des chaussures de sécurité antidérapantes, des casques de chantier et des protecteurs d'oreilles dans des conditions appropriées réduira le risque de blessure corporelle.
- c. **Évitez les démarrages intempestifs. Assurez-vous que l'interrupteur est dans la position arrêté (Off) avant de brancher l'outil dans une prise de courant et/ou un bloc-piles, de le ramasser ou de le transporter.** Le transport d'un outil électroportatif avec le doigt sur la gâchette ou le branchement de cet outil quand l'interrupteur est en position de marche (ON) est une invite aux accidents.
- d. **Enlevez toutes les clés de réglage avant de mettre l'outil électroportatif en marche.** Si on laisse une clé sur une pièce tournante de l'outil électroportatif, il y a un risque de blessure corporelle.
- e. **Ne vous penchez pas.** Conservez toujours une bonne assise et un bon équilibre. Ceci vous permettra de mieux maîtriser l'outil électroportatif dans des situations inattendues.

## Consignes générales de sécurité du produit

- f. **Habillez-vous de manière appropriée. Ne portez pas de vêtements amples ou de bijoux. Attachez les cheveux longs.** N'approchez pas les cheveux, les vêtements ou les gants des pièces en mouvement. Les vêtements amples, les bijoux ou les cheveux longs risquent d'être happés par les pièces en mouvement.
- g. **Si l'outil est muni de dispositifs permettant le raccordement d'un système d'aspiration et de collecte des poussières, assurez-vous que ces dispositifs sont raccordés et utilisés correctement.** L'utilisation d'un dépoussiéreur peut réduire les dangers associés à l'accumulation de poussière.
- h. **Ne laissez pas la familiarité résultant de l'utilisation fréquente des outils vous inciter à devenir complaisant(e) et à ignorer les principes de sécurité des outils.** Une action négligente pourrait causer des blessures graves en une fraction de seconde.

### 4. Utilisation et entretien des outils électroportatifs

- a. **Ne forcez pas sur l'outil électroportatif. Utilisez l'outil électroportatif qui convient à la tâche à effectuer.** L'outil qui convient à la tâche fait un meilleur travail et est plus sûr à la vitesse pour lequel il a été conçu.
- b. **Ne vous servez pas de l'outil électroportatif si son interrupteur ne parvient pas à le mettre en marche ou à l'arrêter.** Tout outil électroportatif qui ne peut pas être commandé par son interrupteur est dangereux et doit être réparé.
- c. **Débranchez la fiche de la prise secteur et/ou retirez le bloc-piles de l'outil électrique (s'il est amovible) avant d'y apporter de quelconques modifications, de changer d'accessoire ou de ranger l'outil électrique.** De telles mesures de sécurité préventive réduisent le risque de démarrage intempestif de l'outil électroportatif.
- d. **Rangez les outils électroportatifs dont vous ne vous servez pas hors de portée des enfants et ne permettez pas à des personnes qui ne connaissent pas l'outil électroportatif ou qui ignorent ces consignes de s'en servir.** Les outils électroportatifs sont dangereux dans les mains d'utilisateurs inexpérimentés.
- e. **Entretenez de façon appropriée les outils électriques et les accessoires. Assurez-vous que les pièces en mouvement sont bien alignées et qu'elles ne se coincent pas, qu'il n'y a pas de pièces cassées ou qu'il n'existe aucune situation pouvant affecter le fonctionnement de l'outil électrique. Si l'outil est abîmé, faites-le réparer avant de l'utiliser.** De nombreux accidents sont causés par des outils électroportatifs mal entretenus.
- f. **Maintenez les outils coupants affûtés et propres. Les outils coupants entretenus correctement et dotés de bords tranchants affûtés sont moins susceptibles de coincer et sont plus faciles à maîtriser.**
- g. **Utilisez l'outil électroportatif, les accessoires et les embouts d'outil, etc. conformément à ces instructions, en tenant compte des conditions de travail et des travaux à réaliser.** L'emploi d'outils électroportatifs pour des tâches différentes de celles pour lesquelles ils ont été prévus peut résulter en une situation dangereuse.
- h. **Gardez les poignées et les surfaces de préhension propres, sèches et exemptes de toute trace d'huile ou de graisse.** Les poignées et les surfaces de préhension glissantes ne permettent pas une manipulation et un contrôle sûrs de l'outil dans des situations inattendues.

### 5. Utilisation et entretien des outils à piles

- a. **Rechargez les piles uniquement avec le chargeur spécifié par le fabricant.** Un chargeur qui convient à un type de bloc-piles peut entraîner un risque d'incendie quand il est utilisé avec un autre bloc-piles.
- b. **Utilisez des outils électroportatifs uniquement avec les bloc-piles spécifiquement désignés pour eux.** L'utilisation de tout autre bloc-piles peut créer un risque de blessures et d'incendie.
- c. **Lorsque le bloc-piles n'est pas utilisé, gardez-le à distances d'autres objets métalliques tels que des trombones, des pièces de monnaie, des clés, des clous, des vis ou de tout autre objet métallique pouvant faire une connexion entre une borne et une autre.** Court-circuiter les bornes des piles peut causer des brûlures ou un incendie.
- d. **Dans des conditions abusives, du liquide peut être éjecté de la pile ; dans un tel cas, évitez tout contact avec ce liquide. Si un contact se produit accidentellement, rincez avec de l'eau. Si le liquide entre en contact avec les yeux, consultez un médecin.** Du liquide éjecté de la pile peut causer des irritations ou des brûlures.
- e. **N'utilisez pas un bloc-piles ou un outil qui est endommagé ou a été modifié.** Des piles endommagées ou modifiées peuvent se comporter de façon imprévisible et causer un incendie ou une explosion, ou entraîner des blessures.
- f. **N'exposez pas un bloc-piles ou un outil à un incendie ou à une température excessive.** L'exposition à un incendie ou à une température supérieure à 265° F (130° C) pourrait causer une explosion.

CONSERVEZ CES INSTRUCTIONS

## Consignes générales de sécurité du produit

- g. Suivez toutes les instructions relatives à la charge et ne chargez pas le bloc-piles ou l'outil en dehors de la plage de température indiquée dans les instructions.** Une charge dans des conditions appropriées ou à des températures en dehors de la plage spécifiée pourrait endommager les piles et augmenter le risque d'incendie.

### 6. Entretien

- a. Faites réparer votre outil électroportatif par un agent de service qualifié n'utilisant que des pièces**

**de rechange identiques.** Ceci assure que la sécurité de l'outil électroportatif est préservée.

- b. Ne tentez jamais de réparer des blocs-piles endommagés.** La réparation de blocs-piles ne doit être effectuée que par le fabricant ou un prestataire de services agréé.

## Règles relatives à la sécurité pour les meuleuses d'angles sans fil

### 1. Avertissements courants relatifs à la sécurité pour les opérations de meulage, de ponçage, de brossage métallique ou de tronçonnage

- a. Cet outil électroportatif a été conçu pour fonctionner comme un outil de rectification, de ponçage, de brossage métallique ou de tronçonnage.** Veuillez lire toute la documentation relative à la sécurité qui a été fournie avec cet outil électroportatif, notamment, les avertissements, les consignes, les illustrations et les spécifications. Si l'on n'observe pas toutes les consignes indiquées ci-dessous, il existe un risque de choc électrique, d'incendie et/ou de blessures corporelles graves.

- b. Il n'est pas recommandé de réaliser des opérations telles que le polissage avec cet outil électrique.**

L'usage de l'outil au cours de travaux pour lesquels il n'a pas été conçu risque de présenter un danger et de causer des blessures corporelles.

- c. Ne convertissez pas cet outil électrique de façon à ce qu'il fonctionne d'une manière qui n'est pas spécifiquement conçue et indiquée par le fabricant de l'outil.** Une telle conversion peut entraîner une perte de contrôle et causer des blessures graves.

- d. N'utilisez pas d'accessoires qui n'ont pas été spécifiquement conçus et recommandés par le fabricant de l'outil.** Le simple fait qu'un accessoire puisse être attaché à votre outil électroportatif ne garantit pas un fonctionnement sans danger.

- e. La vitesse nominale de l'accessoire doit être au moins égale à la vitesse maximum indiquée sur l'outil électroportatif.** Les accessoires que l'on fait tourner à une vitesse supérieure à leur vitesse nominale peuvent se casser et voler en éclats.

- f. Le diamètre externe et l'épaisseur de votre accessoire doivent être dans les limites de capacité de votre outil électroportatif.** Des accessoires de la mauvaise taille ne peuvent pas être adéquatement protégés ou contrôlés.

- g. Les dimensions du support de montage de l'accessoire doivent correspondre aux dimensions du matériel de fixation de l'outil électrique.** Les accessoires qui ne correspondent pas au petit matériel de montage de l'outil électrique fonctionneront de manière déséquilibrée, vibreront de façon excessive et risquent de causer une perte de contrôle de l'outil.

- h. N'utilisez pas d'accessoires endommagés. Inspectez vos accessoires avant chaque utilisation : vérifiez par exemple que votre meule abrasive n'est ni fêlée, ni ébréchée, que votre disque d'appui n'est ni fêlé, ni déchiré, ni trop usé et que votre brosse métallique ne contient pas de fils cassés ou détachés. Si vous laissez tomber l'outil ou l'accessoire, vérifiez que ce dernier n'est pas endommagé ou remplacez-le par un accessoire en bon état. Après l'inspection et l'installation d'un accessoire, tenez-vous à distance du plan de l'accessoire en mouvement et demandez à toute personne présente de faire de même, et faites fonctionner l'outil à sa vitesse à vide maximale pendant une minute.** Si un accessoire est endommagé, il se cassera habituellement en plusieurs morceaux pendant cette période de test.

- i. Portez des équipements de protection personnelle. Suivant le travail effectué, portez un masque de protection, des lunettes à coques ou des lunettes de sécurité. S'il y a lieu, portez un masque antipoussières, des dispositifs de protection de l'ouïe, des gants et un tablier d'atelier capable d'arrêter des petits fragments abrasifs ou des fragments de la pièce.** Les dispositifs de protection des yeux doivent

**CONSERVEZ CES INSTRUCTIONS**



# Règles relatives à la sécurité pour les meuleuses d'angles sans fil

pouvoir arrêter des débris volants produits par diverses opérations. Le masque antipoussière ou le respirateur doit être capable de filtrer des particules générées par votre travail. Une exposition prolongée à un bruit de haute intensité peut entraîner une perte de l'ouïe.

- j. Gardez toute personne présente à une distance sûre de l'aire de travail. Toute personne qui entre dans l'aire de travail doit porter des équipements de protection personnelle.** Des fragments d'une pièce ou d'un accessoire peuvent être projetés et causer des blessures au-delà de l'aire d'opération immédiate.
- k. Tenez l'outil électroportatif exclusivement au niveau de ses surfaces de préhension isolées quand vous réalisez une opération au cours de laquelle l'accessoire de coupe risque d'entrer en contact avec des fils électriques dissimulés. Quand un accessoire de coupe entre en contact avec un fil « sous tension », cela peut mettre des parties métalliques exposées de l'outil électroportatif « sous tension » et électrocuter l'utilisateur.**
- l. Ne posez jamais l'outil électroportatif tant que l'accessoire n'a pas complètement cessé de tourner.** L'accessoire en mouvement risque d'accrocher la surface sur laquelle il est posé et de vous faire perdre contrôle de l'outil.
- m. Ne laissez pas l'outil électroportatif en marche quand vous le portez sur le côté.** Un contact accidentel avec l'accessoire en mouvement risquerait d'accrocher vos vêtements et d'attirer l'accessoire vers votre corps.
- n. Nettoyez régulièrement les prises d'air de l'outil électroportatif.** Le ventilateur du moteur attirera de la poussière à l'intérieur du boîtier de l'outil et une accumulation excessive de poudre métallique risque de causer des dangers électriques.
- o. Ne faites pas fonctionner l'outil électroportatif à proximité de matériaux inflammables.** Des étincelles pourraient enflammer ces matériaux.
- p. N'utilisez pas d'accessoires qui exigent des liquides de refroidissement.** L'utilisation d'eau ou d'autres liquides de refroidissement peut entraîner une électrocution ou un choc électrique.

## 2. Avertissements sur les rebonds et effets associés

L'effet de rebond est une réaction soudaine au pincement ou à l'accrochage d'une meule, d'un disque d'appui, d'une brosse ou de tout autre accessoire pivotant. Un tel pincement ou accrochage fait rapidement caler l'accessoire en mouvement, ce qui force l'outil électroportatif hors de contrôle à aller dans

la direction opposée à celle de la rotation de l'accessoire à l'emplacement du blocage.

Par exemple, si une meule abrasive est accrochée ou pincée par la pièce, le bord de la meule à l'emplacement du pincage peut creuser la surface du matériau et forcer la meule à se « hisser » sur la pièce ou à être éjectée. La meule peut alors sauter soit en direction de l'utilisateur, soit dans la direction opposée, en fonction de la direction du mouvement de la meule à l'emplacement du pincement. Les meules abrasives peuvent également se briser dans de telles conditions.

Les rebonds résultent d'une mauvaise utilisation de l'outil électroportatif et/ou de procédures ou de conditions d'utilisation incorrectes, et ils peuvent être évités en prenant les précautions nécessaires indiquées ci-dessous :

- a. Maintenez une prise ferme sur l'outil électroportatif et positionnez votre bras et le reste de votre corps de façon à vous permettre de résister aux forces de rebond. Utilisez toujours la poignée auxiliaire, quand elle vous a été fournie, pour un contrôle maximum du rebond ou de la réaction de couple qui se produit pendant la mise en marche de l'outil.** L'utilisateur peut contrôler les réactions de couple ou les forces de rebond en prenant les précautions nécessaires.
- b. Ne placez jamais votre main à proximité de l'accessoire en mouvement.** L'accessoire risquerait de rebondir sur votre main.
- c. Ne vous placez jamais dans la zone où l'outil électroportatif se dirigerait si un rebond se produisait.** L'effet de rebond projetterait l'outil dans la direction opposée à celle du mouvement de la meule à l'emplacement de l'accrochage.
- d. Faites particulièrement attention quand vous travaillez des coins ou des arêtes tranchantes, etc. Évitez de faire rebondir ou d'accrocher l'accessoire.** Les coins, les arêtes tranchantes et les rebondissements ont tendance à faire accrocher l'accessoire en mouvement et à entraîner une perte de contrôle ou un rebond.
- e. N'attachez pas de chaîne de scie, de lame pour couper du bois ou de meule diamantée segmentée avec un écart périphérique supérieur à 10 mm / 13/32 po ou une lame de scie dentée.** De telles lames produisent souvent des rebonds et une perte de contrôle.

## 3. Avertissements spécifiques à la sécurité des opérations de rectification et de tronçonnage à la meule

- a. N'utilisez que des types de meules qui sont recommandées pour votre outil électroportatif et que des**

**CONSERVEZ CES INSTRUCTIONS**

## Règles relatives à la sécurité pour les meuleuses d'angles sans fil

### **protecteurs conçus pour la meule sélectionnée.**

Les meules pour lesquelles l'outil n'a pas été conçu ne peuvent pas être adéquatement protégées et sont par conséquent dangereuses.

**b. La surface de meulage des meules déprimées au centre doit être montée au-dessous du plan de la lèvres de protection.** Une meule montée de façon incorrecte qui dépasserait à travers le plan de la lèvres de protection ne peut pas être protégée de façon adéquate.

**c. Le protecteur doit être fermement fixé à l'outil électroportatif et positionné pour un maximum de sécurité en s'arrangeant pour que la plus petite portion possible de meule exposée soit tournée vers l'utilisateur.** Le protecteur aide à protéger l'utilisateur contre des fragments d'une meule cassée et contre un contact accidentel avec la meule.

**d. Les meules ne doivent être utilisées que pour des opérations pour lesquelles elles ont été conçues. Par exemple : ne meulez pas avec le côté de la meule à tronçonner.** Les meules à tronçonner sont conçues pour une rectification périphérique et l'application de forces latérales à ces meules peuvent les faire éclater.

**e. Utilisez toujours des brides non endommagées d'une taille et d'une forme qui conviennent à la meule sélectionnée.** Les brides de meule appropriées soutiennent la meule, réduisant ainsi la possibilité que la meule se casse. Les brides pour meules de tronçonnage peuvent être différentes des brides pour d'autres types de meules.

**f. N'utilisez pas de meules usées provenant d'outils électroportatifs de plus grande taille.** Une meule qui a été conçue pour un outil électroportatif de grande taille n'est pas compatible avec un outil plus petit qui tourne à une plus grande vitesse, et elle risque d'éclater si elle est posée sur ce dernier.

**g. Lors de l'utilisation de meules à double usage, utilisez toujours le dispositif de protection approprié pour l'application effectuée.** Si vous n'utilisez pas le dispositif de protection approprié, vous risquez de ne pas obtenir le niveau de protection souhaité, ce qui pourrait entraîner des blessures graves.

## **4. Avertissements supplémentaires spécifiques à la sécurité des opérations de tronçonnage à la meule abrasive**

**a. Ne bloquez pas la meule à tronçonner et n'appliquez pas une pression excessive sur celle-ci. Ne tentez pas de réaliser une coupe d'une profondeur excessive.** La surcharge de la meule augmente sa susceptibilité à la tor-

sion et au blocage pendant la coupe et la possibilité d'un effet de rebond ou d'une cassure de la meule.

**b. Ne positionnez pas votre corps de façon à ce qu'il soit aligné avec la meule pivotante et derrière celle-ci.**

Quand la meule, à l'emplacement de l'opération, se déplace dans la direction opposée à celle de votre corps, le rebond potentiel risque de projeter la meule en mouvement ainsi que l'outil électroportatif directement sur vous.

**c. Quand la meule se coince, ou quand vous interrompez une coupe pour une raison quelconque, mettez l'outil électroportatif à l'arrêt et tenez-le sans bouger jusqu'à ce que la meule s'arrête complètement. N'essayez jamais de retirer la meule de tronçonnage au milieu d'une coupe tant que la meule tourne toujours; cela risquerait de provoquer un effet de rebond.** Trouvez la cause du coincage de la meule et prenez les mesures nécessaires pour y remédier.

**d. Ne recommencez pas votre opération de coupe en plaçant l'outil directement dans la pièce. Permettez à la meule d'atteindre sa vitesse optimale avant de la réintroduire prudemment dans la pièce.** Si vous remettez l'outil en marche directement dans la pièce, la meule risque de se bloquer, de « grimper » sur la pièce ou de faire un rebond.

**e. Soutenez les panneaux ou toute pièce surdimensionnée afin de réduire le plus possible le risque de pincement ou de rebond de la meule.** Les pièces de grande taille ont tendance à fléchir sous leur propre poids. Des supports doivent être placés sous la pièce à proximité de la ligne de coupe et près du bord de la pièce des deux côtés de la meule.

**f. Faites particulièrement attention quand vous exécutez une coupe « en poche » dans des murs déjà en place ou dans d'autres endroits cachés.** Il se peut que la meule saillante coupe des tuyaux de gaz, des conduites d'eau, des fils électriques ou des objets qui risquent d'entraîner un rebond.

**g. Ne tentez pas d'effectuer des coupes de courbes.** Une contrainte excessive sur la meule accroît la charge et le risque de torsion ou de coincement de la meule pendant la coupe, ainsi que la possibilité d'effet de rebond ou de cassure de la meule, ce qui pourrait causer des blessures graves.

**h. N'utilisez pas de meules abrasives de type 1 conçues pour le meulage droit.**

**i. N'essayez pas de couper des feuilles de métal ou des pièces de grande taille avec cette machine, car elle**

**CONSERVEZ CES INSTRUCTIONS**

## Règles relatives à la sécurité pour les meuleuses d'angles sans fil

n'a pas été conçue pour servir de machine réservée au tronçonnage.

### 5. Avertissements spécifiques à la sécurité des opérations de ponçage

- a. **Utilisez un papier abrasif de taille appropriée pour le disque de ponçage.** Suivez les recommandations du fabricant lors du choix du papier abrasif. Un papier abrasif plus grand dépassant trop du patin de ponçage présente un risque de lacération et peut provoquer un accrochage, une déchirure du disque ou un choc en retour.

### 6. Avertissements spécifiques à la sécurité des opérations de broissage métallique

Soyez conscient du fait que la brosse éjecte des soies métalliques pendant son opération normale. **Ne surchargez pas les fils métalliques en appliquant une charge excessive sur la brosse.** Les soies métalliques peuvent facilement pénétrer dans des vêtements légers et/ou dans la peau.

**Bien qu'il soit recommandé d'utiliser un protecteur pour le broissage métallique, ne laissez pas la meule ou la brosse métallique interférer avec le protecteur.** Le diamètre de la meule ou de la brosse métallique risque d'augmenter à cause de la charge de travail et des forces centrifuges.

## Consignes de sécurité additionnelles

**N'utilisez pas un outil conçu uniquement pour le C.A.** sur une alimentation en C.C. Même si l'outil semble fonctionner, les composants électriques d'un outil prévu pour le C.A. tomberont probablement en panne et risquent de créer un danger pour l'utilisateur.

**Maintenez les poignées sèches et exemptes d'huile et de graisse.** On ne peut pas maîtriser un outil électroportatif en toute sécurité quand on a les mains glissantes.

**Utilisez des brides ou d'autres moyens pratiques de brider ou de supporter la pièce sur une plate-forme stable.** Tenir la pièce à la main ou contre le corps est instable et risque de résulter en une perte de contrôle.

**Créez un agenda d'entretien périodique pour votre outil. Quand vous nettoyez un outil, faites attention de n'en démonter aucune pièce car il est toujours possible de mal remonter ou de pincer les fils internes ou de remonter incorrectement les ressorts de rappel des capots de protection.** Certains agents de nettoyage tels que l'essence, le tétrachlorure de carbone, l'ammoniaque, etc. risquent d'abîmer les plastiques.

**N'utilisez pas d'aspirateur ou d'autre système de ramassage de la poussière lorsque vous coupez du métal.** Des étincelles provenant de la coupe du métal pourraient causer l'inflammation des poussières ainsi ramassées.

**⚠ AVERTISSEMENT** Les travaux à la machine tel que ponçage, sciage, meulage, perçage et autres travaux du bâtiment peuvent créer des poussières contenant des produits chimiques qui sont des causes reconnues de cancer, de malformation congénitale ou d'autres problèmes reproductifs. Ces produits chimiques sont, par exemple :

- Le plomb provenant des peintures à base de plomb,
- Les cristaux de silices provenant des briques et du ciment et d'autres produits de maçonnerie, et
- L'arsenic et le chrome provenant des bois traités chimiquement.

**Le niveau de risque dû à cette exposition varie avec la fréquence de ces types de travaux.** Pour réduire l'exposition à ces produits chimiques, il faut travailler dans un lieu bien ventilé et porter un équipement de sécurité approprié tel que certains masques à poussière conçus spécialement pour filtrer les particules microscopiques.

## Utilisation prévue

### **⚠ AVERTISSEMENT** Utilisez cette meuleuse uniquement comme prévu.

Une utilisation inappropriée pourrait causer des blessures et des dommages matériels.

Cette meuleuse est destinée à être utilisée sur des matériaux en métal, en béton ou en maçonnerie, pour éliminer les imperfections de surface telles que les soudures, les bavures, la rouille ou la peinture, ainsi que pour la préparation des surfaces en béton.








En utilisant les attachements en option appropriés, tels que le dispositif de protection pour la coupe de type A (1A/41), cette meuleuse peut être utilisée pour couper de petits tuyaux ou tiges métalliques. De plus, lorsque le dispositif de protection pour la coupe de type F (1A/41) avec plaque d'assise et dispositif d'aspiration des poussières est utilisé avec la meule diamantée, il est possible de couper la maçonnerie et le béton.

Un attachement d'extraction des poussières de type E spécialement conçu est disponible et doit être utilisé lorsque des meules boisseau diamantées sont montées sur cette meuleuse pour des opérations de surfacage du béton.

N'utilisez pas cette meuleuse pour couper, meuler ou sculpter du bois ou des matières plastiques.













# Symboles

**Important : Certains des symboles suivants peuvent être utilisés sur votre outil.** Veuillez les étudier et apprendre leur signification. L'interprétation correcte de ces symboles vous aidera à mieux utiliser votre outil et à vous en servir plus efficacement et en toute sécurité.

Symbole	Désignation / Explication
V	Volts (tension)
A	Ampères (courant)
Hz	Hertz (fréquence, cycles par seconde)
W	Watts (puissance)
kg	Kilogrammes (poids)
min	Minutes (temps)
s	Secondes (temps)
∅	Diamètre (taille des mèches, des meules, etc.)
$n_0$	Vitesse à vide (vitesse de rotation à vide)
n	Vitesse nominale (vitesse maximum possible)
.../min	Révolutions ou mouvements alternatifs par minute (révolutions, coups, vitesse de surface, orbites, etc. par minute)
0	Position d'arrêt (vitesse nulle, couple nul...)
1, 2, 3, ... I, II, III,	Réglages du sélecteur (réglages de vitesse, de couple ou de position. Un chiffre plus élevé signifie une plus grande vitesse)
0 	Sélecteur infiniment variable avec arrêt (la vitesse augmente à partir du réglage 0)
	Flèche (action dans le sens de la flèche)
	Courant alternatif (type ou caractéristique du courant)
	Courant continu (type ou caractéristique du courant)
	Courant alternatif ou continu (type ou caractéristique du courant)
	Construction de classe II (désigne des outils de construction à double isolation)
	Borne de mise à la terre (borne de mise à la masse)

## Symboles

**Important : Certains des symboles suivants peuvent être utilisés sur votre outil.** Veuillez les étudier et apprendre leur signification. L'interprétation correcte de ces symboles vous aidera à mieux utiliser votre outil et à vous en servir plus efficacement et en toute sécurité.

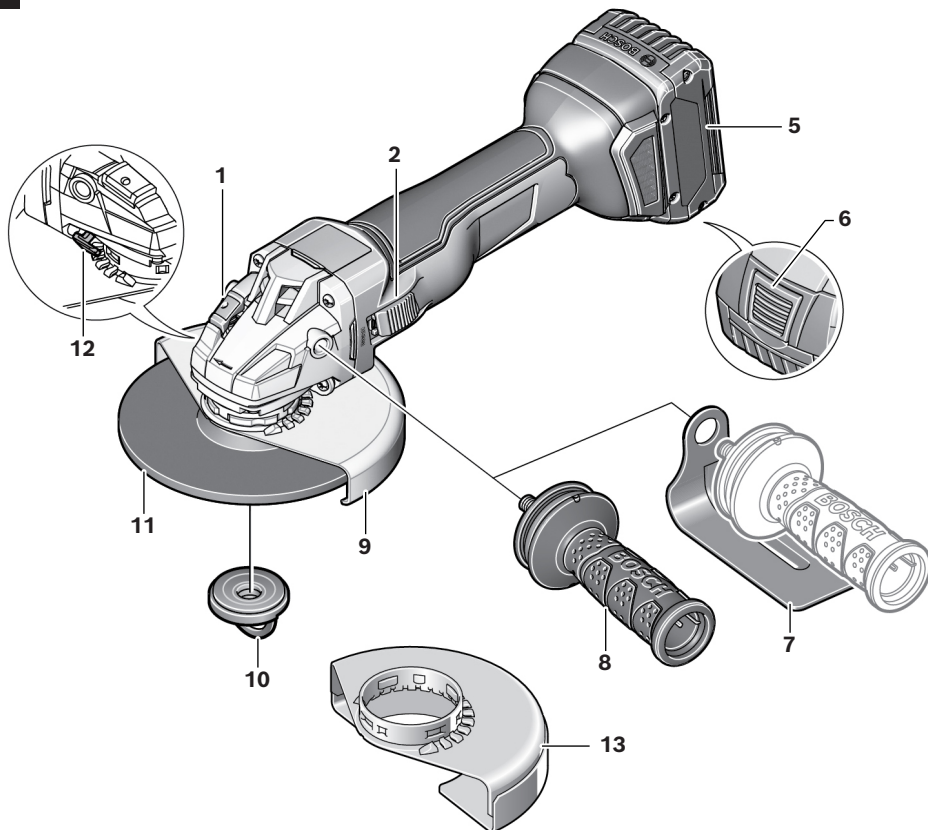
Symbole	Désignation / Explication
	Désigne un programme de recyclage des batteries Li-ion
	Alerte l'utilisateur pour qu'il lise le mode d'emploi
	Alerte l'utilisateur pour porter des lunettes de sécurité.
	Alerte l'utilisateur pour porter une protection respiratoire
	Alerte l'utilisateur pour porter des protecteurs d'oreilles
	Fait savoir à l'utilisateur qu'il doit porter des protections oculaires, respiratoires et auditives.
	Alerte l'utilisateur pour lui demander de tenir l'outil avec les deux mains.
	Le dispositif de protection de type B (27) ne doit pas être utilisé pour couper.
	Ce symbole indique que ce composant est reconnu par Underwriters Laboratories, et qu'il est conforme aux normes des États-Unis et du Canada.
	Ce symbole indique que cet outil est répertorié par la Canadian Standards Association.
	Ce symbole indique que cet outil est répertorié par la Canadian Standards Association, et qu'il est conforme aux normes des États-Unis et du Canada.
	Ce symbole indique que cet outil est homologué par les services d'essais Intertek, et qu'il est conforme aux normes des États-Unis et du Canada.

## Familiarisez-vous avec votre meuleuse d'angle

**AVERTISSEMENT** Débranchez le bloc-piles de l'outil avant d'effectuer tout assemblage ou réglage, ou de changer des accessoires. Ces mesures de sécurité préventives réduisent le risque d'une mise en marche accidentelle de l'outil.

### Meuleuse d'angle avec interrupteur coulissant GWS18V-10

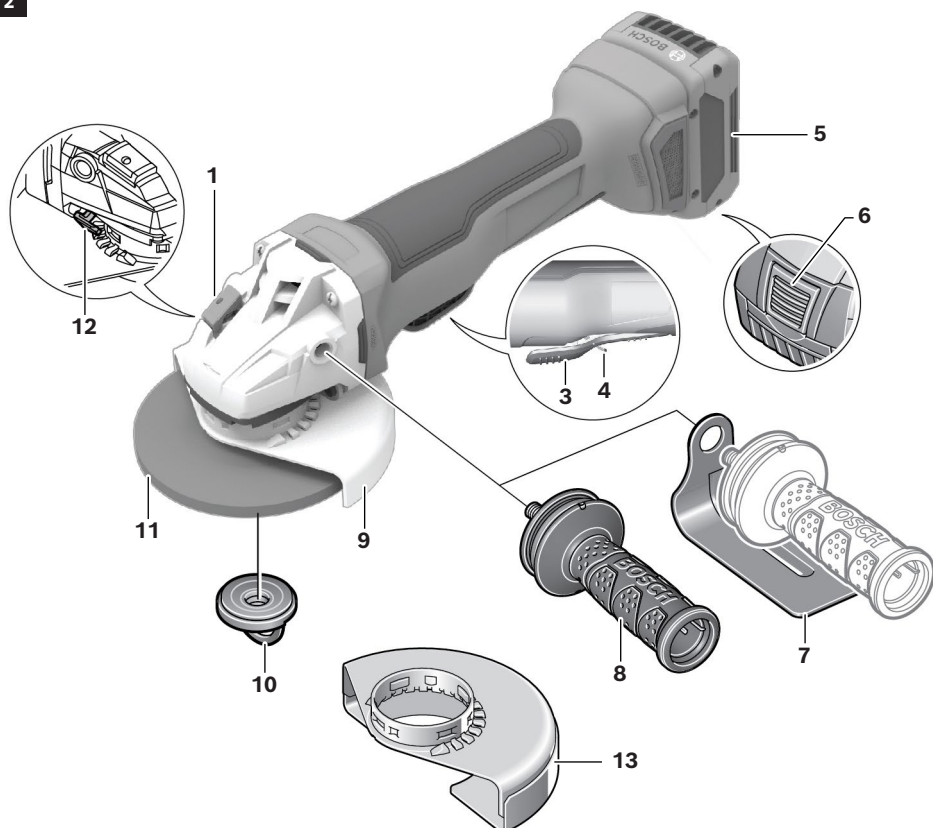
Fig. 1



## Familiarisez-vous avec votre meuleuse d'angle

### Meuleuse d'angle avec interrupteur à palette GWS18V-10P

Fig. 2



- |   |  |    |  |
|---|--|----|--|
| 1 | Blocage de l'arbre   | 8  | Poignée latérale antivibrations                                  |
| 2 | Interrupteur coulissant (GWS18V-10)  | 9  | Dispositif de protection de la meule abrasive de type B (27)     |
| 3 | Interrupteur à palette (GWS18V-10P)  | 10 | Écrou à fixation rapide  |
| 4 | Levier de relâchement de l'interrupteur de « verrouillage en position d'arrêt » (GWS18V-10P) | 11 | Meule de Type 27*  |
| 5 | Bloc-piles   | 12 | Levier de relâchement du dispositif de protection                |
| 6 | Bouton de déclenchement du bloc-piles  | 13 | Dispositif de protection de la meule de coupe de type A (1A/41)* |
| 7 | Protège-main*  |    |  |

\* vendu séparément



## Spécifications

Modèle N°	GWS18V-10	GWS18V-10P
Piles	18V (Bosch or AMPSHareSeries)	18V (Bosch or AMPSHareSeries)
Vitesse nominale	n 9,000/min	n 9,000/min
Interrupteur	Coulissant	Interrupteur à palette
Frein pour rotation excentrée	Inclus	Inclus
Filet d'arbre	5/8"-11 UNC	5/8"-11 UNC
Longueur max. de la broche	9/16" (14,3 mm)	9/16" (14,3 mm)
Ø max. de la meule de type 27	5" (125 mm)	5" (125 mm)
Épaisseur de la meule de type 27	0.25" (6mm)	0.25" (6mm)
Ø max. du disque de coupe de type 41/1A, 27A	5" (125 mm)	5" (125 mm)
Ø max. du disque à volets abrasifs	5" (125 mm)	5" (125 mm)
Ø max. du disque de ponçage	5" (125 mm)	5" (125 mm)
Ø max. de la brosse métallique circulaire	5" (125 mm)	5" (125 mm)
Largeur max. de la face de la meule métallique (épaisseur)	1/2" (12.7 mm)	1/2" (12.7 mm)
Ø max. de la brosse en coupe métallique	3" (76 mm)	3" (76 mm)
Température ambiante autorisée		
- pendant la charge :	0 °C...+35 °C (+32 °F...+95 °F)	
- pendant le fonctionnement :	-20 °C...+50 °C (-4 °F...+122 °F)	
- pendant le stockage :	-20 °C...+50 °C (-4 °F...+122 °F)	

## Applications

Modèle N°	GWS18V-10	GWS18V-10P
Meulage de métaux (Type 27)	X	X
Meulage de métaux (Type 11)	N	N
Meulage de métaux (Type 1)	O	O
Coupe de métaux (Type 41/1A)	O	O
Disque à volet de Type 29	O	O
Découpe du béton	O	O
Ponçage	X	X
Passage à la brosse métallique (meule)	O	O

X = L'outil est muni d'accessoires permettant d'exécuter cette application.

O = L'outil peut utiliser des accessoires en option permettant d'exécuter cette application.

N = L'outil n'est pas capable d'exécuter cette application.

La vitesse nominale de l'accessoire doit être égale ou supérieure à celle de l'outil. Il ne faut pas dépasser le diamètre de meule recommandé.

**⚠ AVERTISSEMENT** N'utilisez pas de meules abrasives de type 11 (boisseau) avec cet outil. Cet outil n'est pas conçu pour emploi avec des meules abrasives de type 11 (boisseau).

### **Bloc-piles/chargeurs:**

Veuillez vous référer à la liste des piles/chargeurs accompagnant votre outil.

**REMARQUE :** Pour spécifications de l'outil, reportez-vous à la plaque signalétique de votre outil.

## Descriptions fonctionnelles

### Embrayage électronique

L'électronique de l'outil électroporatif détecte les situations dans lesquelles la meule ou l'accessoire peut risquer de se coincer. Elle empêche la poursuite de la rotation de l'arbre d'entraînement en mettant l'outil hors tension (mais elle ne peut pas empêcher les effets de rebond). Pour recommencer à travailler, mettez l'interrupteur de marche/arrêt (on/off) dans la position de marche (on) et remettez l'outil en marche.

### Protection contre les redémarrages automatiques

Cette caractéristique contribue à empêcher les remises en marche automatiques après une mise hors tension accidentelle, p. ex. si l'outil a été débranché avec l'interrupteur verrouillé en position de marche. Pour recommencer à travailler, mettez l'interrupteur de marche/arrêt (on/off) dans la position d'arrêt (off) et remettez l'outil en marche.

### Protection contre les surcharges

Cette caractéristique contribue à protéger l'outil contre la chaleur excessive qui pourrait endommager le moteur. Si l'outil s'arrête ou ralentit en cours de fonctionnement, patientez

pendant 30 secondes jusqu'à ce que le moteur refroidisse en le laissant fonctionner à vide. Si la fonction de protection contre les surcharges arrête l'outil de façon répétée, cela signifie qu'une force excessive cause la surcharge de l'outil. Mettez fin à l'application de cette force excessive et réajustez l'ouvrage pour réduire la force appliquée.

### Contrôle des chutes

L'outil électrique est équipé de capteurs qui détectent les impacts sur la meuleuse. L'outil se met automatiquement hors tension s'il tombe sur la plupart des surfaces dures depuis une hauteur supérieure à 30 cm, ou s'il est frappé avec une force approximativement équivalente à une chute de 30 cm. Après un choc ou l'activation du dispositif de désactivation, inspectez toujours la meuleuse et la pile pour détecter des signes de dommages, et n'utilisez pas l'outil ou la pile si vous soupçonnez des dommages.

## Opération de freinage

**⚠ AVERTISSEMENT** Attendez que l'accessoire de la meuleuse s'arrête complètement avant de poser l'outil. L'action de freinage de cette meuleuse n'est pas conçue pour servir de fonction de sécurité. L'utilisation du dispositif de protection approprié lorsque vous utilisez la meuleuse est votre meilleure protection contre un contact accidentel avec un accessoire en train de tourner. Un contact accidentel avec un accessoire en train de tourner peut causer des dommages matériels et/ou des blessures.

**⚠ AVERTISSEMENT** Assurez-vous que vous connaissez l'état de charge de votre pile. L'action de freinage électrique n'est déclenchée QUE par le relâchement de l'interrupteur à gâchette, et seulement dans un outil pouvant être connecté à une source d'alimentation électrique. En cas de perte d'alimentation électrique en conséquence d'une pile déchargée ou pour toute autre cause, le frein électrique ne fonctionnera pas et le moteur ralentira progressivement. Un arrêt inattendu peut causer des dommages matériels et/ou des blessures.

Votre meuleuse est pourvue d'un frein électrique automatique qui est conçu pour empêcher rapidement l'accessoire de tourner après avoir relâché la gâchette. Cette fonctionnalité améliore la productivité sur le lieu de travail.

Le freinage commence dès que l'alimentation électrique est désactivée. Le frein nécessite une pile chargée pour pouvoir fonctionner. Le temps nécessaire pour causer l'arrêt de l'accessoire dépendra, entre autres facteurs, de l'accessoire utilisé et du nombre de mouvements d'actionnement du frein. Le frein électrique de votre meuleuse a été conçu pour être extrêmement fiable, mais des circonstances inattendues telles que de la contamination ou une défaillance de composants du moteur pourraient empêcher le frein de fonctionner. Si l'outil fonctionne mais que le frein n'arrête pas systématiquement l'accessoire, n'utilisez PAS la meuleuse et faites-la réparer par un centre de service usine Bosch ou par un centre de réparation Bosch agréé.

# Assemblage

**⚠ AVERTISSEMENT** Débranchez le bloc-piles de l'outil avant d'effectuer tout assemblage ou réglage, ou de changer des accessoires. Ces mesures de sécurité préventives réduisent le risque d'une mise en marche accidentelle de l'outil.

## Installation du protecteur de meule

**⚠ AVERTISSEMENT** Le protecteur de meule doit être attaché en cas d'utilisation de disques de coupe ou de meules abrasives. Veillez à ce que le protecteur de meule soit toujours placé entre votre ouvrage et vous pendant les opérations de coupe ou de meulage.

### Fixation du protecteur de meule

(Fig. 1, Fig. 2, Fig. 3, Fig. 4)

Débranchez le bloc-piles 5 de l'outil.

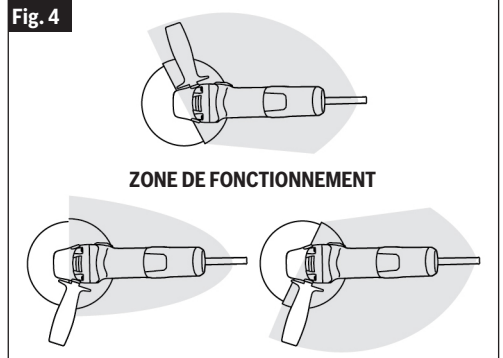
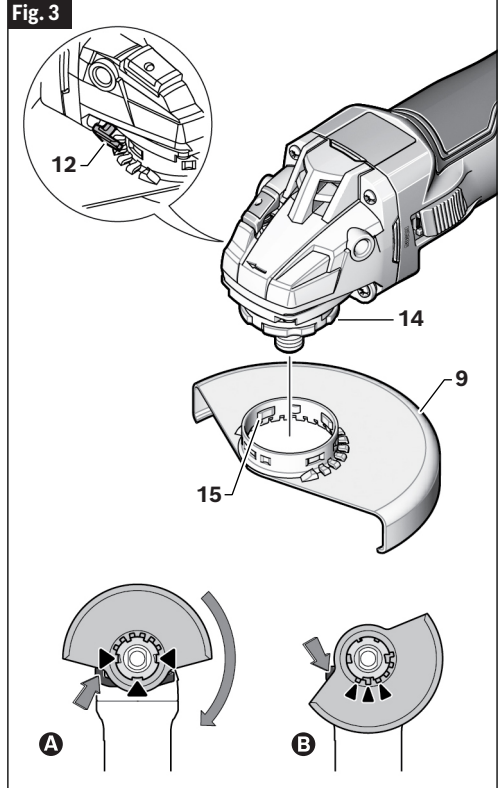
Placez le dispositif de protection 9 sur la bride de montage du dispositif de protection 14 jusqu'à ce que les clés du dispositif de protection 15 soient alignées sur les encoches de la bride de montage du dispositif de protection 14 **A**.

Appuyez sur le dispositif de protection 9 pour le placer contre la bride de fixation du dispositif de protection 14 jusqu'à ce que l'épaulement du dispositif de protection 9 repose contre le support de montage du dispositif de protection 14 de l'outil et faites tourner le dispositif de protection 9 jusqu'à ce que vous entendiez clairement un déclic indiquant son enclenchement.

Appuyez sur le levier de déverrouillage du dispositif de protection 12 et maintenez-le enfoncé, puis réglez la position du dispositif de protection 9 sur la zone de fonctionnement générale. Pour terminer le réglage, tenez la meuleuse en position de travail, appuyez sur le levier de déverrouillage du dispositif de protection 12 vers le haut et tournez le dispositif de protection 9 jusqu'à ce qu'il s'enclenche en place, puis ajustez selon les besoins.

- Ajustez toujours le dispositif de protection 9 de telle façon que toutes les trois cames rouges du levier de déverrouillage du dispositif de protection 12 soient enclenchées dans les encoches correspondantes du dispositif de protection 9 **B**.
- Positionnez toujours le dispositif de protection de la meule 9 entre l'opérateur et l'ouvrage, et dirigez les étincelles dans le sens opposé à celui de l'opérateur.
- Le dispositif de protection 9 ne doit pouvoir tourner que si le levier de déverrouillage du dispositif de protection 12 est actionné ! Sinon, l'outil ne pourra être utilisé dans aucune circonstance et devra être apporté à un agent du service après-vente.

**Remarque :** Les clés du dispositif de protection 15 assurent que seulement un dispositif de protection 9 compatible avec le type d'outil pourra être installé.



# Assemblage

## Retrait du protecteur

(Fig. 3)

Appuyez sur le levier de dégagement **12**, faites tourner le protecteur **9** jusqu'à ce que les clés sur le protecteur soient alignées sur les encoches sur la bride de fixation pour le montage du protecteur **14** et soulevez le protecteur pour le détacher de la bride de fixation **14**.

## Poignée latérale antivibrations

(Fig. 1, Fig. 2)

La poignée latérale sert à contrôler et à équilibrer l'outil. La poignée doit être vissée dans le boîtier avant, d'un côté ou de l'autre de l'outil, selon les préférences personnelles et pour le confort de l'utilisateur. Utilisez la poignée latérale pour un contrôle sûr et une opération plus facile (Fig. 1, 2).

## Protège-main en option (accessoire en option)

(Fig. 1, Fig. 2)

Le protège-main **7** doit être utilisé avec les disques d'appui, les disques de ponçage et les brosses métalliques pour garder les doigts et les mains à distance de la surface de la pièce, des bords tranchants, des barbes et des débris. Quand vous utilisez l'accessoire protège-main disponible en option **7**, insérez la poignée latérale dans l'orifice présent sur le protège-main **7**, puis vissez-la dans le boîtier.

Assurez-vous que le protège-main **7** est positionné entre la main et le disque d'appui, le disque de ponçage ou la brosse métallique.

## Écrou à fixation rapide

(Fig. 1, Fig. 2, Fig. 5, Fig. 6)

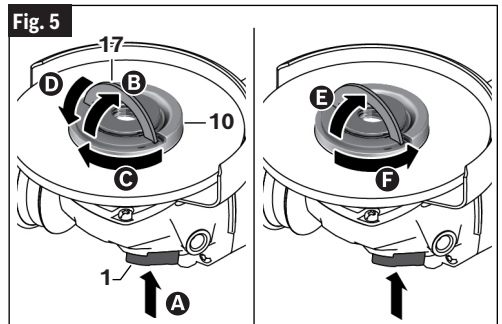
**⚠ AVERTISSEMENT** N'utilisez que des accessoires dont la vitesse de fonctionnement maximale est au moins égale à la vitesse maximale indiquée sur l'outil électrique. Cette vitesse est basée sur la robustesse de la meule. Elle n'est pas censée indiquer la meilleure vitesse ou la vitesse de fonctionnement la plus efficace. Ne dépassez pas la vitesse maximum pour un fonctionnement en toute sécurité.

Utilisez l'écrou à fixation rapide **10** pour sécuriser le disque de meulage/coupe sans avoir besoin d'outils supplémentaires. Utilisez seulement l'écrou à fixation rapide **10** pour les disques de meulage/coupe jusqu'à un diamètre de 5 po (125 mm).

- L'écrou à fixation rapide **10** ne peut être utilisé que pour des disques de meulage/coupe.
- Utilisez seulement des écrous à fixation rapide **10** qui sont en bon état de fonctionnement et qui ne sont pas endommagés.
- Lorsque vous vissez, assurez-vous que le côté imprimé de l'écrou à fixation rapide **10** n'est pas face au disque de meulage.

Appuyez sur le bouton de verrouillage **1** de la broche pour verrouiller la broche de meulage **18** **A**. Pour serrer l'écrou à fixation rapide **10**, repliez la barre **17** **B** vers le haut et faites tourner l'écrou à fixation rapide **10** fermement dans le sens des aiguilles d'une montre **C**. Puis repliez la barre vers le bas **17** **D** pour sécuriser l'écrou à fixation rapide **10**. Il ne suffit pas de serrer le disque contre le bord.

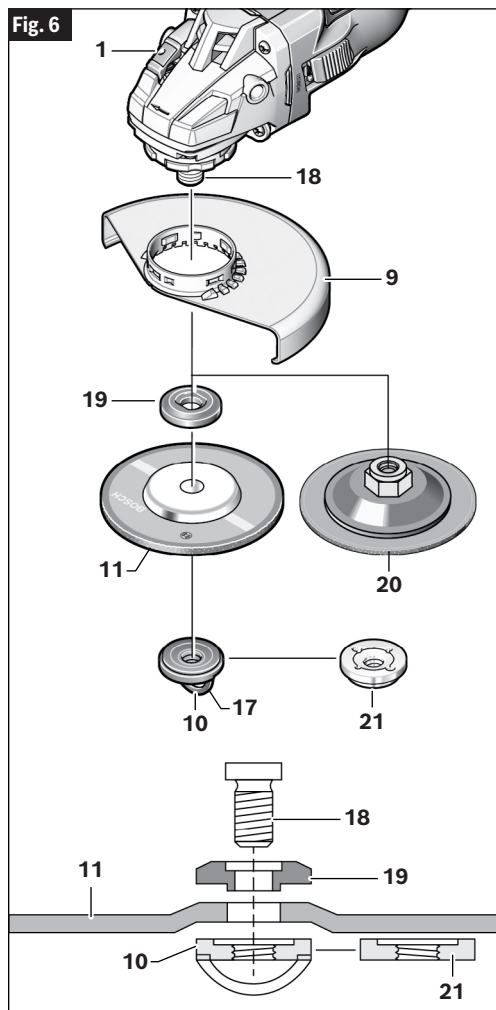
Un écrou à fixation rapide **10** non endommagé qui est sécurisé correctement peut être retiré à la main. Pour ce faire, repliez la barre **17** **E** vers le haut et faites tourner fermement dans le sens contraire des aiguilles d'une montre l'écrou à fixation rapide **10** **F**. Si l'écrou à fixation rapide **10** est coincé, ne tentez pas de le desserrer avec un outil – utilisez toujours une clé pour contre-écrous.



## Écrou de blocage et bride d'appui

(Fig. 6)

Votre outil est équipé d'un arbre fileté **18** sur lequel se montent les accessoires. Utilisez toujours l'écrou à fixation rapide **10** ou l'écrou de blocage BOSCH d'origine **21** (que vous pouvez acheter séparément), ainsi que la bride d'appui, dont le filet a la même taille que celui de l'arbre **18**. La bride d'appui **19** est fixée par une clavette à l'arbre de sortie **18**. Si vous utilisez le contre-écrou BOSCH **21** d'origine, assurez-vous toujours que le contre-écrou est serré correctement au moyen de la clé pour contre-écrous.



## Ensemble de meule à disque

**⚠ AVERTISSEMENT** N'utilisez pas d'accessoires qui tournent de façon excentrique. L'outil vibrera excessivement, ce qui pourrait causer une perte de contrôle et l'éclatement de l'accessoire.

### Fixation de la meule abrasive

(Fig. 1, Fig. 2, Fig. 6, Fig. 7)

1. Débranchez le bloc-piles **5** de l'outil.
2. Assurez-vous que le protecteur de meule de Type B (**27**) **9** est en place pour la rectification.
3. Placez la bride d'appui **19** et la meule abrasive **11** sur la broche **18**. Assurez-vous que la bride d'appui **19** s'enclenche dans la base de la broche **18**.
4. Enfilez l'écrou à serrage rapide **10** et serrez l'écrou à l'aide de la barre rabattable **17**, tout en continuant à appuyer sur le bouton de verrouillage de la broche **1**. (Vous pouvez également utiliser un contre-écrou d'origine BOSCH **21**, vendu séparément.)

POUR DÉPOSER : Inversez la procédure.

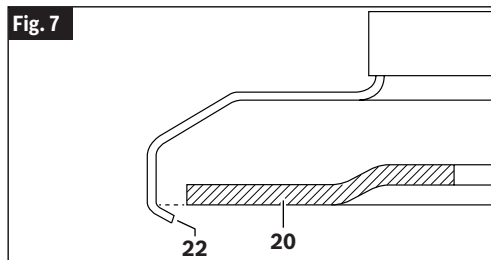
### En cas d'utilisation de meules rotatives

(Fig. 6, Fig. 7)

Suivez les étapes 1 et 2 de la section intitulée « Fixation de la meule abrasive », puis enfitez la meule abrasive rotative **20** de type 27 directement sur la broche **18** sans utiliser les brides fournies. Assurez-vous toujours que la meule rotative **20** est serrée correctement au moyen d'une clé à fourche (non fournie).

RETRAIT : inversez la procédure.

Toutes les pièces d'une meule abrasive rotative de type 27 **20** doivent se trouver à l'intérieur de la lèvres du dispositif de protection de la meule **22**. Si la meule abrasive rotative **20** dépasse la lèvres du dispositif de protection de la meule **22**, n'utilisez pas cette meule car elle ne convient pas à cette meuleuse.



## Assemblage

### Ensemble de meule abrasive de Type 41/1A et 27A/42

(Fig. 1, Fig. 2, Fig. 8)

**⚠ AVERTISSEMENT** Utilisez toujours un dispositif de protection de meule de coupe de type A (1A/41) pour la coupe.

En utilisant le dispositif de protection de meule de coupe de type A (1A/41) en option 13, il est possible d'effectuer des coupes limitées sur des petites pièces telles que des tubes métalliques, des tuyaux ou des barres d'armature.

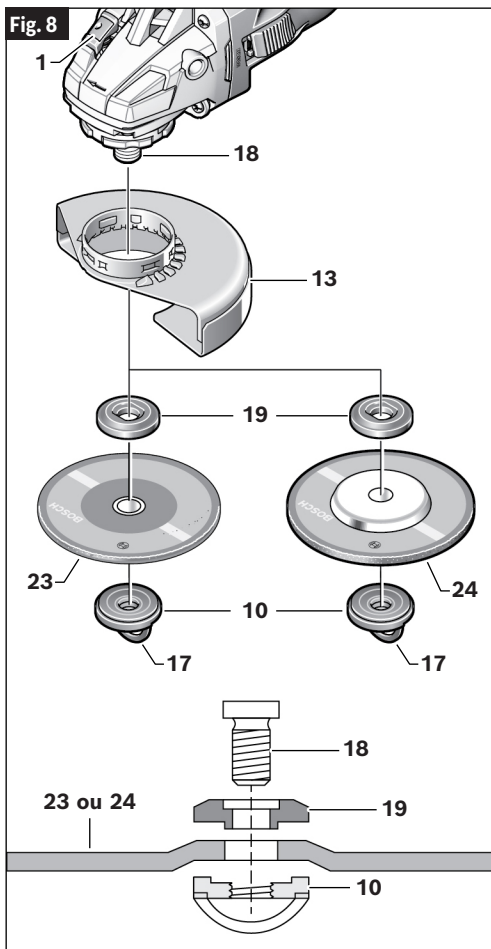
N'essayez pas de couper des pièces ou des feuilles métalliques de grande taille, car cet outil n'a pas été conçu pour servir d'outil de coupe spécialisé.

1. Débranchez le bloc-piles 5 de l'outil.
2. Veillez à ce que le dispositif de protection de meule de coupe de type A (1A/41) 13 soit en place pour la coupe.
3. En cas d'utilisation de roues de montage, enfiler la bride de support 19 sur la broche 18, puis placez la meule de coupe de type 41/1A 23 ou la meule de coupe de type 27A/42 24 sur la bride de support 19.
4. Enfilez l'écrou à serrage rapide 10 et serrez l'écrou 10 à l'aide de la barre rabattable 17, tout en continuant à appuyer sur le bouton de verrouillage de la broche 1.

POUR DÉPOSER : Inversez la procédure.

### Meules abrasives droites de Type 1

**⚠ AVERTISSEMENT** N'utilisez pas de meules abrasives de Type 41/1A conçues pour le meulage droit ou la rectification des matrices. Cet outil n'a pas été conçu pour être utilisé avec des meules abrasives droites ou des meules à rectifier les matrices.



# Assemblage

## Ensemble d'accessoires de ponçage

### Disque d'appui

**⚠ AVERTISSEMENT** Avant d'attacher un disque d'appui, assurez-vous que la vitesse maximale de rotation qu'il peut atteindre, sans compromettre la sécurité de fonctionnement, n'est pas inférieure à la vitesse en marche libre figurant sur la plaque em blématique de l'outil.

**⚠ AVERTISSEMENT** La plupart des travaux de ponçage s'effectuent sans le protecteur. Remettez toujours le protecteur en place sur l'outil avant de vous en servir pour le meulage.

**⚠ AVERTISSEMENT** N'utilisez pas l'écrou à fixation rapide avec un coussinet de soutien pour les accessoires de ponçage.

### Installation du plateau de support et du disque de ponçage (non inclus)

(Fig. 1, Fig. 2, Fig. 9)

Débranchez le bloc-piles 5 de l'outil.

Fixez le protège-main 7. Tournez-le sur le dos (arbre 18 orienté vers le haut). Placez le disque d'appui en caoutchouc 25 sur l'arbre 18. Centrez le disque de ponçage 26 sur le disque d'appui 25. Introduisez l'écrou de blocage 27 dans le disque 26 et vissez-le à fond sur l'arbre 18 avec les doigts. Enfoncez le verrou de la broche 1, puis serrez fermement le contre-écrou du plateau de support 27 à l'aide d'une clé pour contre-écrous.

POUR DÉPOSER : Inversez la procédure.

### Ensemble de brosse métallique

(Fig. 1, Fig. 2, Fig. 9)

Débranchez le bloc-piles 5 de l'outil. Fixez le protège-main 7. Les brosses métalliques 28 sont équipées de leur propre centre fileté, et il 28 suffit de les visser sur l'arbre 18. Assurez-vous de les asseoir 28 contre l'épaulement avant de mettre l'outil en marche (position ON).

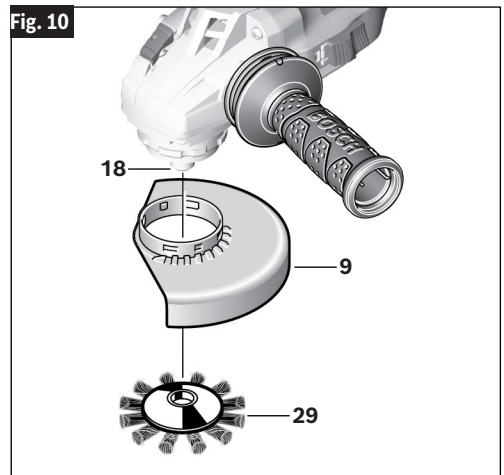
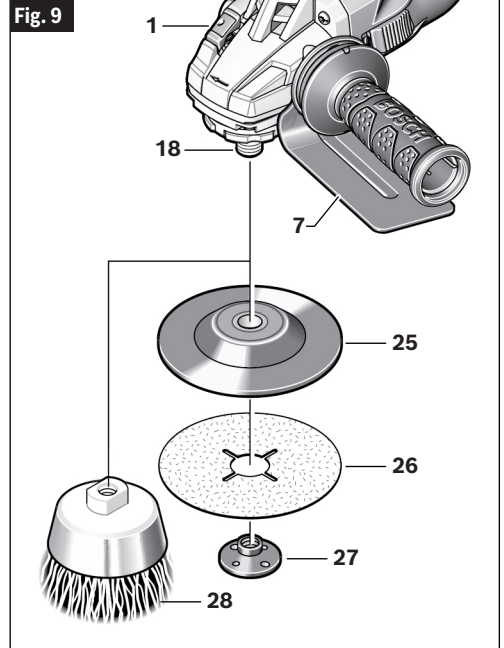
POUR DÉPOSER : Inversez la procédure.

### Ensemble de brosse métallique à touret

(Fig. 1, Fig. 2, Fig. 10)

Débranchez le bloc-piles 5 de l'outil. Installez le dispositif de protection de la meule de type B (27) 9. Les brosses métalliques 29 à touret sont équipées de leur propre centre fileté, et il 29 suffit de les visser sur l'arbre 18. Assurez-vous de les asseoir 29 contre l'épaulement avant de mettre l'outil en marche (position ON).

POUR DÉPOSER : Inversez la procédure.





## Type E (dispositif de protection de meule abrasive à surface diamantée) avec attachement d'extraction de poussière de béton pour ensemble de meulage de surfacage

**⚠ AVERTISSEMENT** Il n'est pas possible d'utiliser un protège-meule de Type B (27) pour toutes les opérations de l'outil. Ne jetez pas ce dispositif de protection si vous ne l'utilisez pas. Réinstallez toujours le protège-meule avant de réaliser de nouvelles opérations de meulage.

**⚠ AVERTISSEMENT** L'accessoire d'extraction de la poussière n'est pas un dispositif de protection. Ne l'utilisez pas avec des meules abrasives à surface agglomérée. L'accessoire d'extraction de la poussière ne protégera peut-être pas l'opérateur en cas d'éclatement de la meule.

### Installation de l'accessoire d'extraction de la poussière

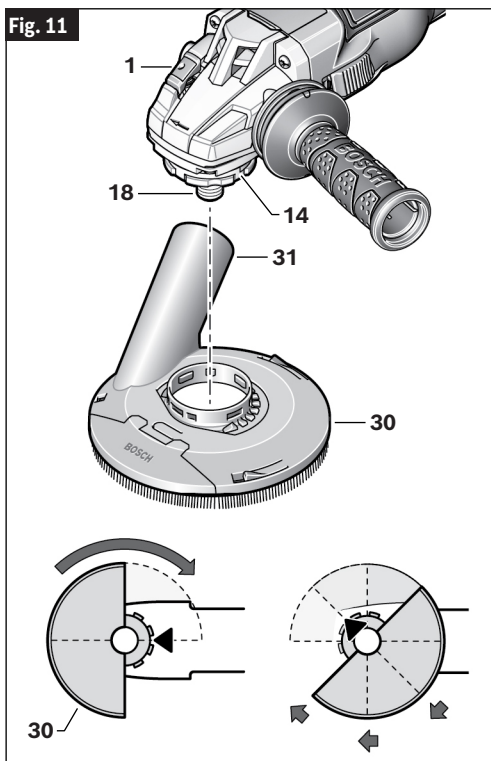
(Fig. 1, Fig. 2, Fig. 3, Fig. 5, Fig. 11)

1. Débranchez le bloc-piles 5 de l'outil.
2. Positionnez l'attachement d'extraction de la poussière de béton 30 sur la bride de montage du dispositif de protection 14, l'orifice d'aspiration de la poussière 31 étant orienté à l'opposé du corps de l'outil.
3. Faites tourner l'attachement d'extraction de la poussière de béton 30 à 90° dans le sens des aiguilles d'une montre jusqu'à ce qu'il s'enclenche en place.
4. Réglez l'attachement d'extraction de la poussière de béton 30 en appuyant sur le levier de déverrouillage du dispositif de protection de meule 12 et en faisant tourner l'attachement d'extraction de poussière de béton 30 dans la position souhaitée.
5. Laissez le levier de déverrouillage du dispositif de protection de meule 12 s'enclencher en place.
6. Placez la contre-bride 19 sur l'arbre 18.
7. Placez la meule boisseau diamantée sur l'arbre 18 et alignez-la sur la bride 19.
8. Enfilez l'écrou à serrage rapide 10 et serrez l'écrou 10 à l'aide de la barre rabattable 17, tout en continuant à appuyer sur le bouton de verrouillage de la broche 1.

En cas d'utilisation de meules rotatives, suivez les étapes 1 à 5, puis enfitez la meule directement sur l'arbre 18 sans utiliser les brides fournies.

RETRAIT : inversez la procédure.

Fig. 11



# Assemblage

## Montage du dispositif de protection pour un outil de coupe de maçonnerie

**⚠ AVERTISSEMENT** Il n'est pas possible d'utiliser un protège-meule de Type B (27) pour toutes les opérations de l'outil. Ne jetez pas ce dispositif de protection, même si vous ne l'utilisez pas. Réinstallez toujours le protège-meule avant de réaliser de nouvelles opérations de meulage.

Pour améliorer l'ergonomie de votre meuleuse lorsque vous coupez de la maçonnerie, il convient de faire tourner la boîte de vitesses par rapport à la position de l'interrupteur étant donné que l'outil avait été assemblé à l'usine.

### Rotation de la boîte de vitesses

(Fig. 1, Fig. 2, Fig. 12, Fig. 13)

1. Débranchez le bloc-piles 5 de l'outil.
2. Dévissez complètement les quatre vis qui attachent le carter d'engrenages 33 au boîtier du moteur 34 **A**.
3. Faites tourner le carter de la boîte de vitesse 33 pour le mettre dans l'orientation appropriée sans retirer le moteur du carter 34.
  - Pour les modèles à interrupteur coulissant, faites tourner le carter d'engrenages de 180 degrés de

telle sorte que l'interrupteur coulissant 2 soit à 90 degrés par rapport à la broche 18 **B C E**.

- Pour les modèles comportant un interrupteur à palette, faites tourner le carter 33 des engrenages de 90 degrés de telle sorte que l'interrupteur à palette 3 soit orienté face à l'ouvrage **B D E**.
4. Vissez et serrez les quatre vis que vous avez retirées **F**.
  5. La vis qui maintient le levier de déverrouillage du dispositif de protection 12 est plus longue que les autres vis **G**. Cette longue vis doit rester avec le levier de déverrouillage du dispositif de protection 12 lors du remontage du carter d'engrenages 33 pour que le levier de déverrouillage du dispositif de protection 12 fonctionne correctement.
  6. Attachez le dispositif de protection approprié pour le système de collecte de poussière avec le pied et l'accessoire.

Fig. 12

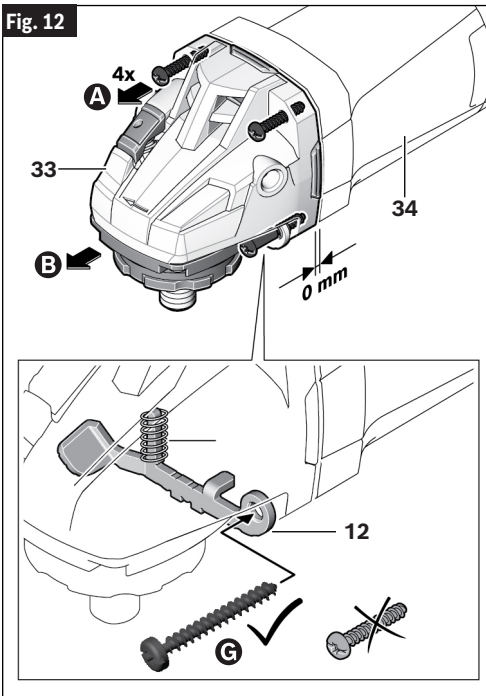
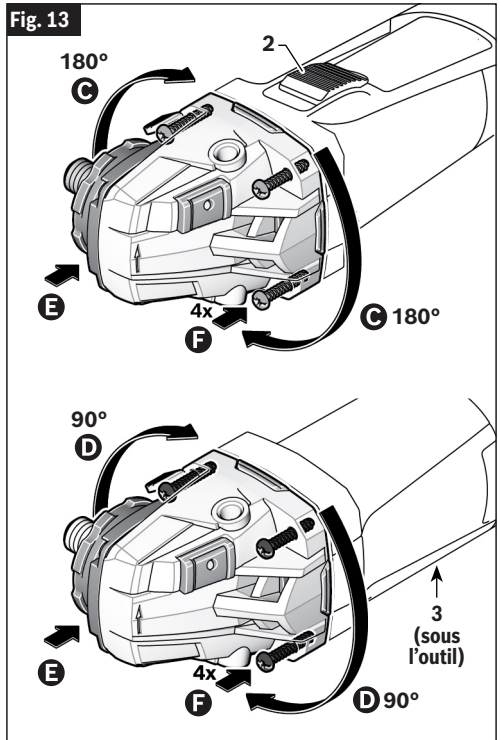


Fig. 13



## Assemblage

### **Installation d'un dispositif de protection pour la coupe de maçonnerie de type F (1A/41) avec plaque d'assise**

(Fig. 1, Fig. 2, Fig. 12, Fig. 13, Fig. 14)

1. Réglez l'outil comme illustré à la Fig. 12 et à la Fig. 13.
2. Débranchez le bloc-piles **5** de l'outil.
3. Dévissez la poignée latérale **8** et retirez-la.
4. Faites glisser le dispositif de protection pour la coupe de maçonnerie **36** sur la bride de montage du dispositif de protection **14**.
5. Faites pivoter le dispositif de protection pour la coupe de maçonnerie **36** jusqu'à ce que le support de stabilité et le trou de la poignée latérale soient alignés.
6. Vissez la poignée latérale **8** de façon à assujettir le support de stabilisation entre le logement de l'outil et la poignée **8**.
7. Réglez le dispositif de protection pour la coupe de maçonnerie **36** en fonction de la profondeur de coupe souhaitée.

RETRAIT : inversez la procédure.

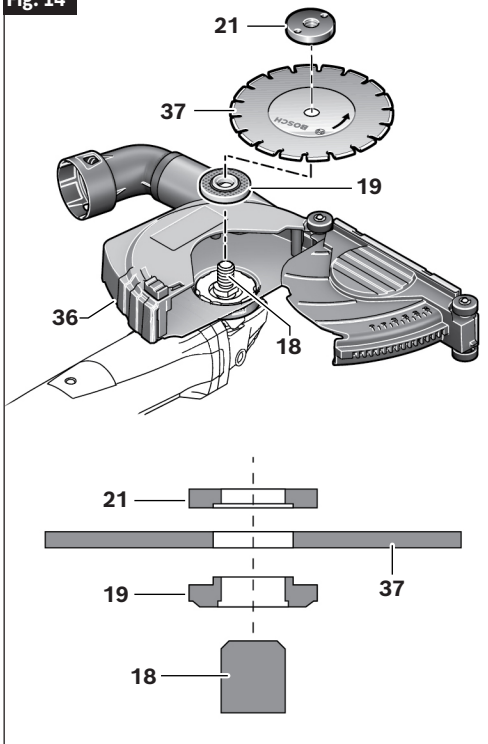
### **Installation de la meule diamantée sèche**

(Fig. 1, Fig. 2, Fig. 14)

1. Placez la contre-bride **19** sur l'arbre **18**. Faites tourner la bride **19** jusqu'à ce qu'elle soit verrouillée avec la base de l'arbre **18**.
2. Placez la meule diamantée sèche **37** sur la broche **18** et alignez le trou de l'arbre sur l'épaulement de la bride de support **19**.
3. Enfilez l'écrou à serrage rapide **10** et serrez l'écrou **10** à l'aide de la barre rabattable **17**, tout en continuant à appuyer sur le bouton de verrouillage de la broche **1**.

RETRAIT : inversez la procédure.

Fig. 14



## Insertion et retrait du bloc-piles

(Fig. 1, Fig. 12, Fig. 15)

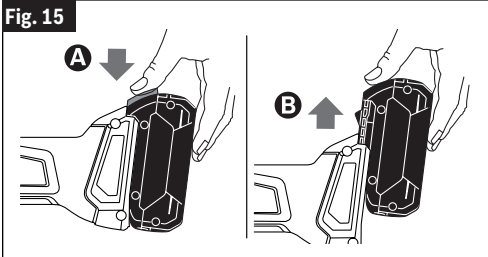
Cet outil est pourvu d'un mécanisme de protection contre les remises en marche automatiques. Cette fonction contribue à empêcher les démarrages accidentels après une coupure de courant, p. ex. si le bloc-piles **5** a été retiré avec l'interrupteur verrouillé **2** en position de marche. Pour redémarrer l'outil, faites glisser l'interrupteur coulissant **2** pour le mettre en position d'arrêt (OFF), puis remettez-le en position de marche (ON).

Assurez-vous que l'interrupteur coulissant **2** est dans la position hors tension avant d'insérer ou de retirer le bloc-piles **5**. Pour insérer le bloc-piles **5**, faites-le glisser dans le boîtier du moteur **34** jusqu'à ce que le bloc-piles **5** se verrouille en place dans la position **A**.

Pour retirer le bloc-piles **5**, appuyez sur le bouton de déclenchement du bloc-piles **6** et faites glisser le bloc-piles **5** vers l'avant.

Votre outil est muni d'un mécanisme de verrouillage secondaire pour empêcher le bloc-piles **5** de tomber complètement du boîtier du moteur **34** au cas il s'en détacherait en conséquence des vibrations.

Appuyez une fois de plus sur le bouton de déclenchement du bloc-piles **6** et faites glisser le bloc-piles **5** jusqu'à ce qu'il sorte complètement du bâti de l'outil **34** **B**.



## Opération

**⚠ AVERTISSEMENT** Ne laissez jamais la gâchette en position verrouillée (« ON »). Avant de brancher l'outil, assurez-vous que le dispositif de verrouillage de la gâchette est désactivé (« OFF »). Une mise en marche accidentelle pourrait causer des blessures.

**⚠ AVERTISSEMENT** Soyez au courant de l'emplacement et de la position du bouton de blocage en marche de la gâchette. Si l'interrupteur est bloqué en marche durant l'usage, soyez prêt, dans des cas d'urgence, à le mettre à l'arrêt en appuyant d'abord sur la gâchette, puis en la relâchant immédiatement sans appuyer sur le bouton de blocage en marche.

**⚠ AVERTISSEMENT** N'utilisez pas la fonction de verrouillage de l'interrupteur en position de marche (« Lock-ON ») dans des situations où des effets de rebond sont prévisibles, comme par exemple quand vous travaillez dans des coins. Lorsque la meule se coince, l'outil subit un choc en retour dans le sens opposé de la rotation de la meule, et il peut alors être difficile de désactiver la fonction de verrouillage en position de marche (« Lock-ON »).

**⚠ AVERTISSEMENT** Tenez l'outil des deux mains lorsque vous le mettez en marche. Le couple du moteur peut causer une torsion de l'outil.

Mettez l'outil en marche avant de le poser sur la pièce. De même, soulevez-le avant d'en relâcher l'interrupteur. Pour prolonger la durée de l'interrupteur, évitez de le mettre sous tension et hors tension pendant que l'outil est à l'oeuvre.

### Interrupteur coulissant avec LockON (verrouillage en position sous tension)

#### Pour mettre l'outil en marche (« ON »)

(Fig. 16)

Faites glisser l'interrupteur coulissant **2** vers le carter d'engrenages **33** jusqu'à ce qu'il s'arrête et que le moteur commence à tourner **A**.

Pour le verrouillage en position sous tension Lock-ON, lorsque l'interrupteur coulissant **2** est en position sous tension, appuyez sur l'avant de l'interrupteur coulissant **2 B** et relâchez-le. L'interrupteur coulissant **2** doit rester en position de verrouillage en position sous tension Lock-ON, et l'outil continue alors à fonctionner.

#### Pour arrêter l'outil (« OFF »)

(Fig. 16)

Appuyez sur la partie arrière de l'interrupteur **2 C**. Il s'agit d'un interrupteur **2** à ressort qui reviendra automatiquement dans la position d'arrêt (« OFF »).

### Interrupteur à palette

(Fig. 17)

L'interrupteur à palette **3** est muni d'une fonction de verrouillage en position d'arrêt qui empêche une mise en marche accidentelle.

#### Pour mettre l'outil en marche (« ON »)

(Fig. 17)

Poussez l'interrupteur de déverrouillage **4** vers l'avant **A** afin de relâcher l'interrupteur à palette **3**, puis comprimez l'interrupteur à palette **3 B**.

#### Pour arrêter l'outil (« OFF »)

(Fig. 17)

Relâchez la pression sur l'interrupteur à palette **3 C**. Il s'agit d'un interrupteur à ressort **3** qui reviendra automatiquement dans la position d'arrêt (« OFF »).

Fig. 16

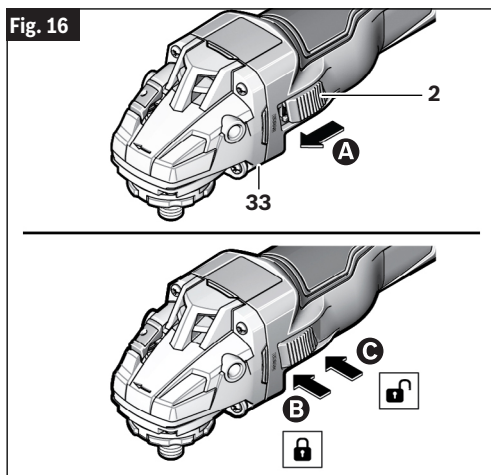
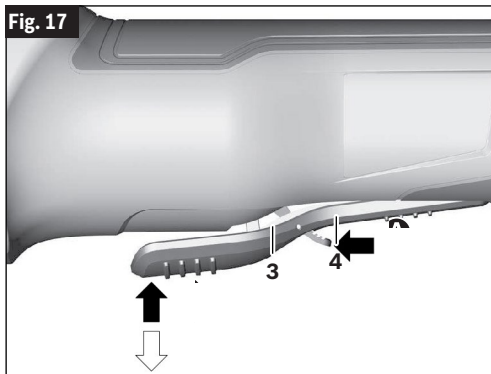


Fig. 17



## Meulage

### Choix des meules

**⚠ AVERTISSEMENT** Avant d'utiliser une meule, assurez-vous que la vitesse maximale de rotation qu'elle peut atteindre, sans compromettre la sécurité de fonctionnement, n'est pas inférieure à la vitesse en marche libre figurant sur la plaquette emblématique de l'outil. Ne choisissez pas des meules de diamètre supérieur à celui recommandé.

### MEULES

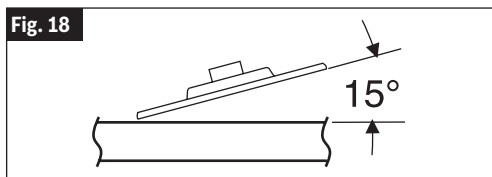
(Fig. 18)

Pour de meilleurs résultats, choisissez les meules soigneusement. Les meules diffèrent de plusieurs façons : granulométrie, composition, dureté, taille des particules et structure. Le choix de la meule est dicté par le type de travail à réaliser. Les meules sont recommandées pour le meulage rapide de l'acier de construction, des cordons de soudure prononcés, des pièces d'acier coulé, de l'acier inoxydable et d'autres métaux ferreux.

### Conseils pour le broyage

1. Laissez l'outil atteindre sa vitesse normale avant de le mettre en contact avec la surface de travail.
2. Appliquez le minimum de pression sur la surface de travail de façon à permettre à l'outil de fonctionner à grande vitesse. Plus la vitesse de l'outil sera élevée, plus le meulage sera rapide.
3. Maintenez un angle de 10 à 15 degrés entre l'outil et la surface de travail.

Fig. 18



**⚠ AVERTISSEMENT** La pression exagérée ou soudaine sur la meule ralentira le meulage et soumettra la meule à des contraintes dangereuses.

4. Déplacez continuellement l'outil à une vitesse modérée pour éviter de faire des rayures sur la surface de travail.
5. Éloignez l'outil de la surface de travail avant de l'arrêter. Laissez l'outil s'arrêter de tourner complètement avant de le poser sur une surface quelconque.

Lors du rodage d'une meule neuve, assurez-vous de meuler en tirant l'outil vers l'arrière jusqu'à ce que l'arête de la meule devienne arrondie. Les arêtes des meules neuves sont vives et ont tendance à « mordre » ou à trancher la pièce quand l'outil est poussé vers l'avant.

## Travaux de coupe

### Coupe de métaux

(Fig. 19)

**⚠ AVERTISSEMENT** Un dispositif de protection de la meule de coupe de type A (1A/41) peut ne pas être fourni avec cet outil, mais il est nécessaire lors de l'utilisation d'une meule de coupe.

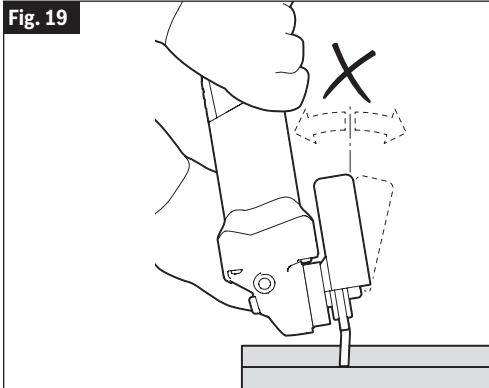
Un dispositif de protection de la meule de coupe de type A (1A/41) peut ne pas être fourni avec cet outil, mais il est nécessaire lors de l'utilisation d'une meule de coupe. L'utilisation d'un protège-meule de type 27 risque de ne pas fournir une protection suffisante à l'opérateur en cas d'éclatement d'une meule.

Avec cet outil, il est possible de couper des quantités limitées de matériaux, comme des tubes, des canalisations ou des barres d'armature. Lorsque vous coupez de tels matériaux, travaillez à une vitesse modérée, adaptée au matériau que vous êtes en train de couper. Lorsque vous coupez des profilés et des barres à section carrée, il est conseillé de commencer par la partie du matériau ayant la section transversale la plus petite.

Prenez toujours les précautions nécessaires pour éviter les chocs en retour.

1. Attendez que l'outil atteigne sa vitesse de fonctionnement normale avant de le mettre en contact avec la surface de travail.
2. L'outil doit toujours être utilisé de telle façon que les étincelles soient dirigées dans le sens opposé à celui de l'opérateur.
3. Appliquez le minimum de pression sur la surface de travail de façon à permettre à l'outil de fonctionner à grande vitesse. Plus la vitesse de l'outil sera élevée, plus la coupe sera rapide.

Fig. 19



4. N'exercez pas une pression latérale sur le disque de coupe. N'inclinez pas l'outil et ne le faites pas osciller car cela risquerait de faire éclater la roue (Fig. 17).
5. Retirez l'outil de la surface de travail avant de le mettre hors tension. Attendez que l'outil ait cessé de tourner complètement avant de le poser sur une surface quelconque.

### Coupe de maçonnerie/béton

(Fig. 20, Fig. 21)

Cette meule vous permet de couper des matériaux en béton et en maçonnerie. Lorsque vous coupez de tels matériaux, travaillez à une vitesse modérée, adaptée au matériau que vous êtes en train de couper.

Prenez toujours les précautions nécessaires pour éviter les chocs en retour.

Utilisez cet outil avec un système d'extraction de la poussière et un équipement de protection personnelle contre la poussière, comme un appareil respiratoire, un masque antipoussière, etc. L'aspirateur employé pour cette application doit être approuvé pour l'extraction de poussière de maçonnerie et de béton. Bosch vend des aspirateurs appropriés dans ce but.

Fig. 20

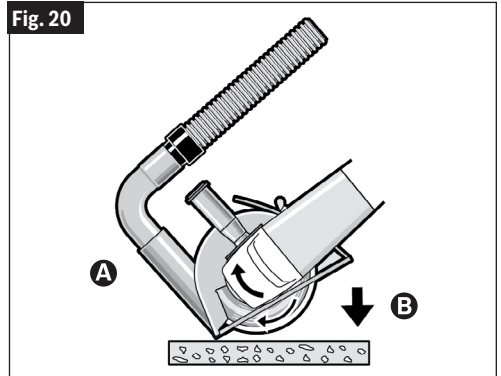
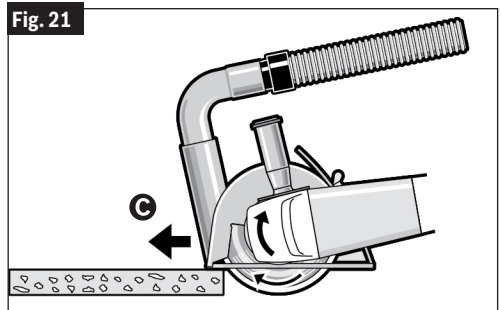


Fig. 21



## Opération

**⚠ AVERTISSEMENT** Ne tirez jamais cet outil vers l'arrière car la lame pourrait sortir de sa trajectoire et se détacherait du matériau, ce qui produirait un EFFET DE REBOND.

1. Attendez que l'outil atteigne sa vitesse de fonctionnement normale avant de le mettre en contact avec la surface de travail.
2. En cas de coupe en plongée :
  - Inclinez l'outil vers l'avant de façon que la meule soit alignée sur le trait de coupe, et tenez l'outil par le corps de la meule et la poignée auxiliaire **A**.
  - Abaissez progressivement la partie arrière de l'outil en utilisant l'extrémité avant du pied comme point d'articulation **B**.
  - Lorsque l'outil repose à plat sur la surface en train d'être coupée, coupez vers l'avant jusqu'à ce que vous ayez atteint le point final du trait de coupe.
3. Maintenez toujours un contact entre le pied du dispositif de protection et l'ouvrage.
4. Faites glisser l'outil vers l'avant à une vitesse modérée, adaptée au matériau en train d'être coupé. Coupez toujours en direction de l'orifice d'extraction de la poussière afin de maximiser l'extraction de poussière et de réduire le risque d'effet de rebond **C**.

5. Appliquez le minimum de pression sur la surface de travail de façon à permettre à l'outil de fonctionner à grande vitesse. Plus la vitesse de l'outil sera élevée, plus la coupe sera rapide.
6. Retirez l'outil de la surface de travail avant de le mettre hors tension. Attendez que l'outil ait cessé de tourner complètement avant de le poser sur une surface quelconque.

**Suggestion** : lorsque vous devez réaliser des coupes profondes, il est préférable de couper le matériau en plusieurs passes peu profondes. Aucune passe ne doit dépasser la profondeur du segment de la meule. La poussière de maçonnerie est abrasive, et elle risquerait d'affaiblir et d'user l'adhérence du segment.

Lorsque vous coupez un matériau particulièrement dur, p. ex. du béton avec une teneur en cailloux élevée, la meule diamantée sèche risque de surchauffer et d'être endommagée. Ceci est indiqué très clairement par les étincelles circulaires produites par la rotation de la meule diamantée sèche. Dans ce cas, interrompez l'opération de coupe et laissez refroidir la roue diamantée sèche pendant une brève période à la vitesse maximum à vide.

Un ralentissement notable de la progression de l'opération et la production d'étincelles circulaires indiquent qu'une meule diamantée sèche est devenue émoussée. Effectuez alors

quelques brèves coupes dans des matériaux abrasifs (p. ex., des briques) pour essayer de réaffûter la meule.

### Surfaçage du béton

Utilisez cet outil avec un système d'extraction de la poussière et un équipement de protection personnelle, p. ex., appareil respiratoire, un masque antipoussière, etc. L'aspirateur employé pour cette application doit être approuvé pour l'extraction de poussière de maçonnerie et de béton. Bosch vend des aspirateurs appropriés dans ce but.

Les meules abrasives doivent être sélectionnées soigneusement pour permettre l'utilisation la plus efficace possible. Il existe des types de meules différents en fonction des matériaux qu'elles sont conçues pour enlever et de leur niveau d'agressivité quand elles enlèvent ces matériaux. La meule la plus appropriée est choisie en fonction de l'application.

1. Attendez que l'outil atteigne sa vitesse de fonctionnement normale avant de le mettre en contact avec la surface de travail.
2. Tenez l'outil des deux mains et veillez à ce que la meule diamantée repose à plat sur la surface de travail.
3. Appliquez le minimum de pression sur la surface de travail de façon à permettre à l'outil de fonctionner à grande vitesse. Plus la vitesse de l'outil sera élevée, plus le surfaçage sera rapide.
4. Déplacez continuellement l'outil à une vitesse modérée pour éviter de faire des rayures sur la surface de travail.
5. Éloignez l'outil de la surface de travail avant de le mettre hors tension. Laissez l'outil s'arrêter de tourner complètement avant de le poser sur une surface quelconque.

**Suggestion** : pour effectuer une collecte optimale de la poussière, tous les côtés du dispositif de protection pour la collecte de poussière lors de l'opération de surfaçage doivent rester en contact avec la surface, et le dispositif de protection pour le surfaçage doit être raccordé à un aspirateur. Une meule diamantée émoussée peut être réaffûtée en surfaçant brièvement un matériau abrasif (p. ex., du grès).



## Travaux de ponçage

(Fig. 22)

### Choix des disques de ponçage

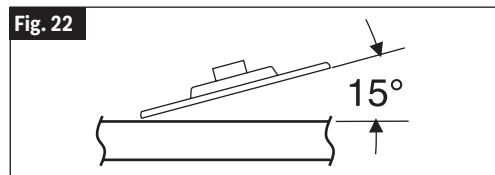
Les disques de ponçage sont fabriqués de particules abrasives d'alumine extrêmement dures et coupantes, fixées avec de la résine phénolique sur une robuste armature en fibres, ce qui leur permet de résister aux gros ponçages à haute vélocité. La granulométrie et l'espacement des particules abrasives varient selon les types de disques. Les disques à GRAIN OUVERT (type H) sont employés pour le ponçage des matériaux tendres et des surfaces peintes ou vernies. Les disques à GRAIN SERRÉ (type K) servent au ponçage des surfaces en métal, bois dur, pierre, marbre et autres matériaux dont le traitement produit des particules fines.

Les disques de ponçage sont fabriqués de particules abrasives allant du calibre 16 (très grossier) au calibre 180 (très fin). Vous obtiendrez de meilleurs résultats si vous choisissez avec soin vos disques de ponçage. De nombreux travaux nécessitent l'emploi de plusieurs calibres de particules abrasives et, dans certains cas, vous auriez intérêt à utiliser à la fois des disques à « grain ouvert » et à « grain serré » pour achever plus rapidement le travail. Voir les explications au tableau.

<b>OPÉRATION :</b> Refinition des surfaces en bois ou en métal peint.	
<b>REMARQUES</b>	<b>GRAIN</b>
Pour décaiper la peinture et aplanir les irrégularités de surface.	Gros 16-24-30
Pour adoucir les surfaces ayant subi un ponçage de dégrossissage.	Moyen 36-50-80
Pour enlever les égratignures laissées par un ponçage antérieur.	Fin 100-120
Pour adoucir une surface avant la peinture, le polissage ou le cirage.	Très Fin 150-180

### Conseils pratiques

Pour obtenir de meilleurs résultats, inclinez la ponceuse à disque à un angle de 10 à 15°, de sorte que la seule partie du disque qui est en contact avec la pièce soit une bande d'environ 2,5 cm de large depuis sa circonférence.



**⚠ AVERTISSEMENT** Si le disque (accessoire) est maintenu à plat contre la pièce ou si son bord arrière vient en contact avec elle, l'outil risque d'être projeté violemment de côté.

Guidez la ponceuse à disque en la déplaçant dans le sens transversal. Ne vous attardez pas trop longtemps au même endroit. Ne lui imprimez pas de mouvements circulaires car elle laisserait des tourbillons. Effectuez un ponçage d'essai sur une retaille avant d'entreprendre le travail.

Ne forcez pas et n'exercez pas de pression en ponçant. Faites pression uniquement avec le poids de l'outil. Une pression exagérée ralentit effectivement l'outil. Pour un ponçage plus rapide, utilisez un disque à particules de gros calibre.

Décapez la peinture gommée du métal à l'aide d'un disque à « grain ouvert ». Poncez jusqu'à apparition d'étincelles, puis arrêtez pour substituer un disque à « grain serré » et décapez le reste de la peinture.

### Ponçage du bois

Pour le ponçage du bois, le sens de déplacement du disque à partir du point de contact doit être parallèle aux fibres du bois autant que possible. L'abrasion rapide causée par les disques et les égratignures spiralées qu'ils produisent parfois sont les raisons pour lesquelles on évite généralement de les utiliser pour la finition.

Les égratignures et les traces circulaires sont généralement attribuables à l'emploi d'un disque à particules de trop gros calibre. Quand vous aurez substitué le disque à particules plus fines, effectuez des passes transversales croisant les lignes de ponçage laissées antérieurement par le disque plus grossier.

### Ponçage des métaux

Avant de poncer la tôlerie d'une carrosserie d'automobile ou d'un appareil ménager, nettoyez-la avec un solvant ininflammable ou un nettoyeur commercial pour enlever toute trace de cire ou de graisse. Si vous prenez cette précaution, les disques de ponçage produiront une surface plus douce et dureront davantage.

Pour les tâches plus exigeantes, utilisez d'abord un disque à particules de gros calibre. Servez-vous ensuite d'un abrasif moyen pour enlever les égratignures. Pour obtenir un fini bien lisse, employez un disque à particules fines.

# Opération

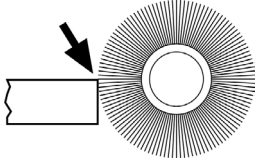
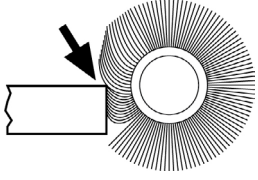
## Brosse métallique

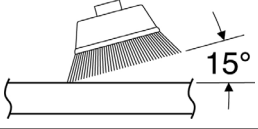
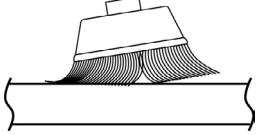
**⚠ AVERTISSEMENT** Évitez de faire rebondir et de heurter la brosse métallique, surtout en travaillant des coins, des arêtes vives, etc. Ceci peut causer une perte de contrôle et un rebond.

Les brosses métalliques servent à « nettoyer » l'acier de construction, les pièces d'acier coulé, la tôle, la pierre et le béton. Elles servent également à décaper la rouille, le tartre et la peinture.

### Pression de brossag

1. Souvenez-vous : ce sont les pointes d'une brosse métallique qui font le travail. N'appliquez qu'une pression très légère sur la brosse de sorte que seules les pointes des poils viennent en contact avec la pièce.
2. Si vous appliquez une pression trop importante, les poils seront surchargés, résultant en un balayage de la pièce. Si ceci se prolonge, la durée de vie de la brosse s'en trouvera écourtée à cause de la fatigue des poils.
3. Appliquez la brosse sur la pièce de manière à ce que la plus grande partie possible de sa tranche soit en contact total avec la pièce. Appliquer le côté ou le bord de la brosse sur la pièce résulterait en une cassure des poils et écourterait sa durée de vie.

BROSSE EN COUPE	
<b>CORRECT:</b> Les pointes des poils font le travail.	
<b>INCORRECT:</b> Pression excessive risquant de briser les poils.	

BROSSE MÉTALLIQUE CIRCULAIRE	
<b>CORRECT:</b> Les pointes des poils font le travail.	
<b>INCORRECT:</b> Pression excessive risquant de briser les poils.	

## Entretien

**⚠ AVERTISSEMENT** Pour éviter les accidents, débranchez toujours l'outil et/ou le chargeur de la source de courant avant de nettoyer.

### Service

**⚠ AVERTISSEMENT** IL N'EXISTE À L'INTÉRIEUR AUCUNE PIÈCE SUSCEPTIBLE D'ÊTRE ENTRE TENUE PAR L'UTILISATEUR. L'entretien préventif exécuté par des personnes non autorisés peut entraîner un positionnement erroné des composants et des fils internes, ce qui peut présenter de graves dangers. Nous recommandons de confier toute intervention d'entretien sur l'outil à un centre de service-usine Bosch ou à un centre de service après-vente Bosch agréé.

### Piles

Faire attention aux blocs-piles qui approchent la fin de leur vie. Si vous remarquez une diminution dans les performances de votre outil ou une durée de fonctionnement réduite de manière significative entre charges, il est temps de remplacer le bloc-piles. S'il n'est pas remplacé, il se peut qu'il endommage le chargeur ou que l'outil fonctionne incorrectement.

### Graissage de l'outil

Votre outil Bosch a été graissé de manière appropriée et il est prêt à l'usage.

### Moteurs

Le moteur de votre outil a été conçu pour de nombreuses heures d'utilisation fiable. Pour maintenir l'efficacité maximale du moteur, nous recommandons de l'examiner tous les six mois. Seul un moteur de remplacement Bosch authentique, conçu spécialement pour votre outil, doit être utilisé.

### Nettoyage

**⚠ MISE EN GARDE** Certains agents de nettoyage abiment les pièces en plastique. Parmi ceux-ci se trouvent: l'essence, le tétrachlorure de carbone, les dissolvants de nettoyage chlorés, l'ammoniaque ainsi que les détergents domestiques qui en contiennent.

Les prises d'air et les leviers de commutation doivent être gardés propres et exempts de corps étrangers. Ne tentez pas de nettoyer en insérant des objets pointus à travers l'ouverture.

Rangez les accessoires dans un endroit frais et sec, et évitez le gel. Avant de vous en servir, inspectez les accessoires pour vous assurer qu'ils ne sont pas fissurés ou fracturés ; ne les utilisez pas si vous suspectez qu'ils sont endommagés.

## Accessoires





**⚠ AVERTISSEMENT** N'utilisez pas d'attachements/d'accessoires autres que ceux qui sont spécifiés par Bosch. L'utilisation d'attachements/d'accessoires non spécifiés pour une utilisation avec l'outil décrit dans ce mode d'emploi peut entraîner des dommages à l'outil, des dommages matériels ou des blessures.

**⚠ AVERTISSEMENT** N'utilisez pas de meules abrasives de type 11 (boisseau) avec cet outil. Cet outil n'est pas conçu pour emploi avec des meules abrasives de type 11 (boisseau).

Équipement standard	Accessoires et attachements en option
<ul style="list-style-type: none"><li>Dispositif de protection de la meule abrasive de type B (27)</li><li>Écrou à fixation rapide</li><li>Bride d'appui</li><li>Poignée latérale</li><li>Clé de serrage</li></ul>	<ul style="list-style-type: none"><li>Écrou de blocage</li><li>Dispositif de protection de la meule de coupe de type A (1A/41)</li><li>Protège-main</li><li>Disque d'appui</li><li>Housse de meulage de surfaces en béton de type E</li><li>Dispositifs de protection pour la coupe de béton et/ou de maçonnerie de type F</li></ul>

## Símbolos de seguridad

Las definiciones que aparecen a continuación describen el nivel de gravedad de cada palabra de aviso. Por favor, lea el manual y preste atención a estos símbolos.

	Este es el símbolo de alerta de seguridad. Se utiliza para alertarle a usted de posibles peligros de lesiones corporales. Obedezca todos los mensajes de seguridad que sigan a este símbolo para evitar posibles lesiones o la muerte.
	PELIGRO indica una situación peligrosa que, si no se evita, causará la muerte o lesiones graves.
	ADVERTENCIA indica una situación peligrosa que, si no se evita, podría causar la muerte o lesiones graves.
	PRECAUCIÓN indica una situación peligrosa que, si no se evita, podría causar lesiones leves o moderadas.

## Tabla de contenido

Símbolos de seguridad . . . . .	64	Ensamblaje de la rueda abrasiva de tipo 41/1A y 27A/42 . . . . .	81
Advertencias generales de seguridad para el producto . . . . .	65	Ruedas abrasivas de tipo 1 para amoladoras rectas . . . . .	81
Normas de seguridad para amoladoras angulares inalámbricas . . . . .	67	Ensamblaje de los accesorios de lijar . . . . .	82
Normas de seguridad adicionales . . . . .	70	Tipo E (protector del disco de amolar con superficie de diamante) con aditamento de extracción de polvo de concreto para el ensamblaje de amolar para acabar superficies . . . . .	83
Uso previsto . . . . .	70	Ensamblaje del protector para cortar mampostería . . . . .	84
Símbolos . . . . .	71	Introducción y suelta del paquete de baterías . . . . .	86
Conociendo su amoladora angular . . . . .	73	Instrucciones de funcionamiento . . . . .	87
Conociendo su amoladora angular . . . . .	74	Interruptor deslizando con fijación en ENCENDIDO . . . . .	87
Specifications . . . . .	75	Interruptor de paleta . . . . .	87
Aplicaciones . . . . .	76	Amolado . . . . .	88
Descripciones funcionales . . . . .	77	Corte . . . . .	89
Control de retroceso . . . . .	77	Operaciones de lijado . . . . .	91
Protección automática contra re arranques . . . . .	77	Operaciones con cepillos de alambre . . . . .	92
Protección contra sobrecargas . . . . .	77	Mantenimiento . . . . .	93
Control de caídas . . . . .	77	Servicio . . . . .	93
Operación de freno . . . . .	77	Baterías . . . . .	93
Ensamblaje . . . . .	78	Lubricación de las herramientas . . . . .	93
Instalación del protector de la rueda . . . . .	78	Motores . . . . .	93
Mango lateral de control de la vibración . . . . .	79	Limpieza . . . . .	93
Protector de la mano opcional (accesorio opcional) . . . . .	79		
Tuerca de sujeción rápida . . . . .	79		
Tuerca de fijación y pestaña de soporte . . . . .	80		
Ensamblaje de la rueda de amolar de disco . . . . .	80		

# Tabla de contenido

Almacenamiento y mantenimiento de los accesorios ..... 93

Accesorios ..... 93

## Advertencias generales de seguridad para el producto

**⚠ ADVERTENCIA** Lea todas las advertencias de seguridad, instrucciones, ilustraciones y especificaciones suministradas con esta herramienta eléctrica. Si no se siguen todas las instrucciones que se indican a continuación, es posible que el resultado sea descargas eléctricas, incendio y/o lesiones graves.

### GUARDE TODAS LAS ADVERTENCIAS E INSTRUCCIONES PARA REFERENCIA FUTURA.

La expresión "herramienta eléctrica" que se incluye en las advertencias se refiere a su herramienta eléctrica alimentada por la red eléctrica (alámbrica) o su herramienta eléctrica alimentada por baterías (inalámbrica).

#### 1. Seguridad del área de trabajo

- a. **Mantenga el área de trabajo limpia y bien iluminada.** Las áreas desordenadas u oscuras invitan a que se produzcan accidentes.
- b. **No utilice herramientas mecánicas en atmósferas explosivas, como por ejemplo en presencia de líquidos, gases o polvos inflamables.** Las herramientas mecánicas generan chispas que pueden incendiar el polvo o los vapores.
- c. **Mantenga alejados a los niños y a las personas que estén presentes mientras esté utilizando una herramienta mecánica.** Las distracciones pueden hacerle perder el control de la herramienta.

#### 2. Seguridad eléctrica

- a. **Los enchufes de las herramientas mecánicas deben coincidir con el tomacorriente. No modifique nunca el enchufe de ningún modo. No use enchufes adaptadores con herramientas mecánicas conectadas a tierra (puestas a tierra).** Los enchufes no modificados y los tomacorrientes coincidentes reducirán el riesgo de sacudidas eléctricas.
- b. **Evite el contacto del cuerpo con las superficies conectadas o puestas a tierra, tales como tuberías, radiadores, estufas y refrigeradores.** Hay un aumento del riesgo de sacudidas eléctricas si el cuerpo del operador se conecta o pone a tierra.
- c. **No exponga las herramientas mecánicas a la lluvia o a condiciones mojadas.** La entrada de agua en una herramienta mecánica aumentará el riesgo de que se produzcan sacudidas eléctricas.
- d. **No maltrate el cordón de energía. No use nunca el cordón para transportar la herramienta mecánica, tirar de ella o desenchufarla. Mantenga el cordón**

**alejado del calor, el aceite, los bordes afilados o las piezas móviles.** Los cordones dañados o enganchados aumentan el riesgo de que se produzcan sacudidas eléctricas.

- e. **Cuando utilice una herramienta mecánica en el exterior, use un cordón de extensión adecuado para uso a la intemperie.** La utilización de un cordón adecuado para uso a la intemperie reduce el riesgo de que se produzcan sacudidas eléctricas.
- f. **Si es inevitable utilizar una herramienta mecánica en un lugar húmedo, utilice una fuente de energía protegida por un interruptor de circuito accionado por corriente de pérdida a tierra (GFCI).** El uso de un GFCI reduce el riesgo de sacudidas eléctricas.

#### 3. Seguridad personal

- a. **Manténgase alerta, fíjese en lo que está haciendo y use el sentido común cuando esté utilizando una herramienta mecánica. No use una herramienta mecánica cuando esté cansado o bajo la influencia de drogas, alcohol o medicamentos.** Un momento de distracción mientras esté utilizando herramientas mecánicas podría causar lesiones corporales graves.
- b. **Use equipo de protección personal.** Use siempre protección de los ojos. El equipo de protección, como por ejemplo una máscara antipolvo, calzado de seguridad antideslizante, casco o protección de oídos, utilizado para las condiciones apropiadas, reducirá las lesiones corporales.
- c. **Evite el arranque accidental. Asegúrese de que el interruptor esté en la posición de apagado antes de conectar la herramienta a la fuente de energía y / o al paquete de batería, levantar la herramienta o transportarla.** Transportar herramientas mecánicas con un dedo en el interruptor o encender herramientas

CONSERVE ESTAS INSTRUCCIONES

## Advertencias generales de seguridad para el producto

mecánicas que tengan el interruptor en la posición de encendido invita a que se produzcan accidentes.

- d. **Quite todas las llaves de ajuste o de tuerca antes de encender la herramienta mecánica.** Una llave de tuerca o de ajuste que se deje colocada en una pieza giratoria de la herramienta mecánica podría causar lesiones corporales.
- e. **No intente alcanzar demasiado lejos.** Mantenga un apoyo de los pies y un equilibrio apropiados en todo momento. Esto permite controlar mejor la herramienta mecánica en situaciones inesperadas.
- f. **Vístase adecuadamente. No use ropa holgada ni alhajas holgadas. Mantenga el pelo y la ropa de las piezas móviles.** La ropa holgada, las alhajas holgadas o el pelo largo pueden quedar atrapados en las piezas móviles.
- g. **Si se proporcionan dispositivos para la conexión de instalaciones de extracción y recolección de polvo, asegúrese de que dichas instalaciones estén conectadas y se usen correctamente.** El uso de dispositivos de recolección de polvo puede reducir los peligros relacionados con el polvo.
- h. **No deje que la familiaridad obtenida del uso frecuente de las herramientas le permita volverse complaciente e ignorar los principios de seguridad de las herramientas.** Una acción descuidada puede causar lesiones graves en una fracción de segundo.

### 4. Uso y cuidado de las herramientas mecánicas

- a. **No fuerce la herramienta mecánica. Use la herramienta mecánica correcta para la aplicación que desee realizar.** La herramienta mecánica correcta hará el trabajo mejor y con más seguridad a la capacidad nominal para la que fue diseñada.
- b. **No use la herramienta mecánica si el interruptor no la enciende y apaga.** Toda herramienta mecánica que no se pueda controlar con el interruptor es peligrosa y debe ser reparada.
- c. **Desconecte el enchufe de la fuente de alimentación y/o retire el paquete de batería de la herramienta eléctrica antes de hacer cualquier ajuste, cambiar accesorios o almacenar herramientas eléctricas.** Dichas medidas preventivas de seguridad reducen el riesgo de arrancar accidentalmente la herramienta mecánica.
- d. **Guarde las herramientas que no esté usando fuera del alcance de los niños y no deje que personas que no estén familiarizadas con la herramienta mecánica o con estas instrucciones utilicen la herramienta.** Las

herramientas mecánicas son peligrosas en manos de usuarios que no hayan recibido capacitación.

- e. **Mantenga las herramientas eléctricas y sus accesorios. Compruebe si hay piezas móviles desalineadas o atoradas, si hay piezas rotas y cualquier otra situación que pueda afectar al funcionamiento de la herramienta eléctrica. Si la herramienta eléctrica está dañada, haga que sea reparada antes de utilizarla.** Muchos accidentes son causados por herramientas mecánicas mantenidas deficientemente.
- f. **Mantenga las herramientas de corte afiladas y limpias.** Es menos probable que las herramientas de corte mantenidas apropiadamente, con bordes de corte afilados, se atoren, y dichas herramientas son más fáciles de controlar.
- g. **Utilice la herramienta mecánica, los accesorios, las brocas de la herramienta, etc., de acuerdo con estas instrucciones, teniendo en cuenta las condiciones de trabajo y el trabajo que se vaya a realizar.** El uso de la herramienta mecánica para operaciones distintas a aquéllas para las que fue diseñada podría causar una situación peligrosa.
- h. **Mantenga los mangos y las superficies de agarre secos, limpios y libres de aceite y grasa.** Los mangos resbalosos y las superficies de agarre resbalosas no permiten un manejo y un control seguros de la herramienta en situaciones inesperadas.

### 5. Uso y cuidado de las herramientas alimentadas por baterías

- a. **Recargue las baterías solamente con el cargador especificado por el fabricante.** Un cargador que es adecuado para un tipo de paquete de batería puede crear un riesgo de incendio cuando se utiliza con otro paquete de batería.
- b. **Utilice las herramientas mecánicas solamente con paquetes de batería designados específicamente.** El uso de cualquier otro paquete de batería puede crear un riesgo de lesiones e incendio.
- c. **Cuando el paquete de batería no se esté usando, manténgalo alejado de otros objetos metálicos, tales como sujetapapeles, monedas, llaves, clavos, tornillos u otros objetos metálicos pequeños que pueden hacer una conexión de un terminal a otro.** Si se cortocircuitan los terminales de la batería uno con otro, se pueden causar quemaduras o un incendio.
- d. **En condiciones abusivas, es posible que se eyecte líquido de la batería. Evite el contacto. Si se produce un contacto accidental, enjuáguese con agua. Si**

CONSERVE ESTAS INSTRUCCIONES

## Advertencias generales de seguridad para el producto

**el líquido entra en contacto con los ojos, obtenga además ayuda médica.** El líquido que salga eyectado de la batería puede causar irritación o quemaduras.

- e. **No utilice un paquete de batería o una herramienta que hayan sido dañados o modificados.** Es posible que las baterías dañadas o modificadas exhiban un comportamiento impredecible que cause un incendio, una explosión o riesgo de lesiones.
- f. **No exponga un paquete de batería o una herramienta a un fuego o una temperatura excesiva.** Es posible que la exposición a un fuego o una temperatura superior a 265 °F cause una explosión.
- g. **Siga todas las instrucciones de carga y no cargue el paquete de batería ni la herramienta fuera del intervalo de temperatura especificado en las instruccio-**

**nes.** Es posible que realizar una carga incorrectamente o a temperaturas que estén fuera del intervalo especificado dañe la batería y aumente el riesgo de incendio.

### 6. Servicio de ajustes y reparaciones

- a. **Haga que su herramienta mecánica reciba servicio de un técnico de reparaciones calificado, utilizando únicamente piezas de repuesto idénticas.** Esto asegurará que se mantenga la seguridad de la herramienta mecánica.
- b. **No haga nunca servicio de ajustes y reparaciones de paquetes de batería dañados.** El servicio de ajustes y reparaciones de los paquetes de batería deberá ser realizado únicamente por el fabricante o por proveedores de servicio autorizados.

## Normas de seguridad para amoladoras angulares inalámbricas

### 1. Advertencias de seguridad comunes para las operaciones de amolado, lijado, cepillado con cepillo de alambre o tronzado

- a. **Esta herramienta mecánica está diseñada para funcionar como amoladora, lijadora, cepillo de alambre o herramienta recortadora.** Lea todas las advertencias de seguridad, instrucciones, ilustraciones y especificaciones suministradas con esta herramienta mecánica. Si no se siguen todas las instrucciones que se indican a continuación, el resultado podría ser descargas eléctricas, incendio y/o lesiones graves.
- b. **No se recomienda realizar operaciones tales como pulir con esta herramienta eléctrica.** Las operaciones para las cuales la herramienta mecánica no fue diseñada pueden crear un peligro y causar lesiones corporales.
- c. **No convierta esta herramienta eléctrica para que funcione de una manera para la que no esté diseñada específicamente ni especificada por el fabricante de la herramienta.** Es posible que dicha conversión tenga como resultado pérdida de control y cause lesiones corporales graves.
- d. **No utilice accesorios que no estén diseñados y recomendados específicamente por el fabricante de la herramienta.** Sólo porque el accesorio se pueda instalar en su herramienta mecánica, eso no garantiza una operación segura.
- e. **La velocidad nominal del accesorio debe ser al menos igual a la velocidad marcada en la herramienta**

**mecánica.** Los accesorios que funcionen más rápidamente que su velocidad nominal se pueden romper y salir despedidos.

- f. **El diámetro exterior y el grosor de su accesorio deben estar dentro de la capacidad nominal de su herramienta mecánica.** Los accesorios de tamaño incorrecto no se pueden proteger ni controlar adecuadamente.
- g. **Las dimensiones de montaje del accesorio deben encajar con las dimensiones de los herrajes de montaje de la herramienta eléctrica.** Los accesorios que no coincidan con los herrajes de montaje de la herramienta eléctrica funcionarán desequilibrados, vibrarán excesivamente y es posible que causen pérdida de control.
- h. **No utilice un accesorio que esté dañado. Antes de cada uso, inspeccione el accesorio, como por ejemplo las ruedas abrasivas para comprobar si tienen picaduras y grietas, la zapata de soporte para comprobar si tiene grietas, desgarraduras o desgaste excesivo, y el cepillo de alambre para comprobar si hay alambres flojos o agrietados. Si la herramienta mecánica o el accesorio se cae, realice una inspección para comprobar si se ha dañado o instale un accesorio que no esté dañado. Después de inspeccionar e instalar un accesorio, posicione usted y posicione a las personas que estén presentes alejados del plano del accesorio que gira y haga funcionar la herramienta mecánica a la máxima velocidad sin carga durante un minuto.** Normalmente, los accesorios dañados seromperán en pedazos durante este tiempo de prueba.
- i. **Utilice equipo de protección personal. Dependiendo de la aplicación, use una careta, anteojos**

**CONSERVE ESTAS INSTRUCCIONES**



## Normas de seguridad para amoladoras angulares inalámbricas

**de seguridad o lentes de seguridad. Según sea apropiado, use una máscara antipolvo, protectores de la audición, guantes y un delantal de taller capaz de detener pequeños fragmentos de abrasivo o de la pieza de trabajo.** La protección de los ojos debe ser capaz de detener los residuos que salgan despedidos al ser generados por diversas operaciones. La máscara antipolvo o el respirador debe ser capaz de filtrar las partículas generadas por la operación que usted realice. La exposición prolongada a ruido de alta intensidad puede causar pérdida de audición.

- j. Mantenga a las personas presentes a una distancia segura del área de trabajo. Toda persona que entre al área de trabajo debe usar equipo de protección personal.** Los fragmentos de la pieza de trabajo o de un accesorio roto pueden salir despedidos y causar lesiones más allá del área inmediata de operación.
- k. Agarre la herramienta mecánica solamente por las superficies de agarre con aislamiento cuando realice una operación en la que el accesorio de corte pueda entrar en contacto con cables ocultos. Si un accesorio de corte entra en contacto con un cable “con corriente”, eso puede hacer que las partes metálicas de la herramienta mecánica que estén al descubierto “lleven corriente” y causen descargas eléctricas al operador.**
- l. No deje nunca la herramienta mecánica en ningún lugar hasta que el accesorio se haya detenido por completo.** El accesorio que gira se puede enganchar en la superficie y tirar de la herramienta mecánica hasta hacer que usted pierda el control.
- m. No haga funcionar la herramienta mecánica mientras la lleva a su lado.** El contacto accidental con el accesorio que gira podría enganchar la ropa del operador y tirar del accesorio hacia su cuerpo.
- n. Limpie regularmente las aberturas de ventilación de la herramienta mecánica.** El ventilador del motor absorberá el polvo al interior de la carcasa y la acumulación excesiva de metal en polvo puede causar peligros eléctricos.
- o. No utilice la herramienta mecánica cerca de materiales inflamables.** Las chispas podrían incendiar estos materiales.
- p. No utilice accesorios que requieran enfriadores líquidos.** La utilización de agua u otros enfriadores líquidos puede causar electrocución o descargas eléctricas.

### 2. Retroceso y advertencias relacionadas

El retroceso es una reacción repentina a una rueda que gira, una zapata de soporte, un cepillo o cualquier otro accesorio

que resulte pellizcado o enganchado. El pellizcamiento o el enganche causan una parada rápida del accesorio que gira, lo cual a su vez hace que la herramienta mecánica descontrolada sea forzada en sentido opuesto al de rotación del accesorio en el punto del atoramiento.

Por ejemplo, si la pieza de trabajo engancha o pellizca una rueda abrasiva, el borde de la rueda que esté entrando en el punto de pellizcamiento puede penetrar en la superficie del material, haciendo que la rueda se salga del corte o experimente retroceso. La rueda puede saltar hacia el operador o alejándose de éste, dependiendo del sentido de movimiento de dicha rueda en el punto de pellizcamiento. Las ruedas abrasivas también se pueden romper en estas condiciones.

El retroceso es el resultado de la utilización indebida de la herramienta mecánica y/o de procedimientos o condiciones de operación incorrectos, y se puede evitar tomando las precauciones apropiadas que se indican a continuación.

- a. Mantenga un agarre firme de la herramienta mecánica y posicione el cuerpo y el brazo para permitir que usted resista las fuerzas de retroceso. Utilice siempre el mango auxiliar, si se suministra, para tener el máximo control sobre el retroceso o la reacción de fuerza de torsión durante el arranque.** El operador puede controlar las reacciones de fuerza de torsión o las fuerzas de retroceso, si se toman las precauciones apropiadas.
- b. No coloque nunca la mano cerca del accesorio que gira.** El accesorio puede experimentar retroceso sobre la mano.
- c. No ubique el cuerpo en el área donde la herramienta mecánica se moverá si se produce retroceso.** El retroceso propulsará la herramienta en sentido contrario al del movimiento de la rueda en el punto de enganche.
- d. Tenga cuidado especial cuando trabaje en esquinas, bordes afilados, etc.** Evite hacer rebotar y enganchar el accesorio. Las esquinas, los bordes afilados o los rebotes tienen tendencia a enganchar el accesorio que gira y causar pérdida de control o retroceso.
- e. No instale una hoja de cadena de sierra para tallar madera, una rueda de diamante segmentada con una holgura periférica de más de 10 mm (13/32 de pulgada) o una hoja de sierra dentada.** Dichas hojas crean retroceso y pérdida de control frecuentes.

### 3. Advertencias de seguridad específicas para las operaciones de amolado y corte con ruedas abrasivas

- a. Utilice únicamente los tipos de rueda que estén recomendados para su herramienta mecánica y el protec-**



## Normas de seguridad para amoladoras angulares inalámbricas

**tor específico diseñado para la rueda seleccionada.**

Las ruedas para las cuales no se diseñó la herramienta mecánica no pueden ser protegidas adecuadamente y son inseguras.

- b. La superficie de amolado de las ruedas con depresión en el centro se debe montar de manera que esté debajo del plano del reborde del protector.** Una rueda montada incorrectamente que sobresalga a través del plano del reborde del protector no se puede proteger adecuadamente.
  - c. El protector se debe instalar firmemente en la herramienta mecánica y se debe posicionar de manera que brinde la máxima seguridad, para que la cantidad de rueda que esté expuesta hacia el operador sea mínima.** El protector ayuda a proteger al operador contra los fragmentos de rueda rota y el contacto accidental con la rueda.
  - d. Las ruedas se deben utilizar solamente para las aplicaciones recomendadas. Por ejemplo: no amuele con el lado de una rueda recortadora.** Las ruedas recortadoras abrasivas están diseñadas para realizar amolado periférico; las fuerzas laterales aplicadas a estas ruedas pueden hacer que se rompan en pedazos.
  - e. Utilice siempre pestañas de rueda no dañadas que tengan el tamaño y la forma correctos para la rueda que usted seleccione.** Las pestañas de rueda apropiadas soportan la rueda, con lo cual reducen la posibilidad de que la rueda se rompa. Las pestañas para las ruedas recortadoras pueden ser diferentes a las pestañas para las ruedas de amolar.
  - f. No utilice ruedas desgastadas de herramientas mecánicas más grandes.** La rueda diseñada para una herramienta mecánica más grande no es adecuada para la velocidad más alta de una herramienta más pequeña y puede reventar.
  - g. Cuando utilice ruedas de uso dual, use siempre el protector correcto para la aplicación que se esté realizando.** Si no se utiliza el protector correcto, es posible que no se proporcione el nivel de protección deseado, lo cual podría causar lesiones graves.
- b. No posicione el cuerpo en línea con la rueda que gira ni detrás de ella.** Cuando la rueda, en el punto de operación, se esté moviendo alejándose del cuerpo del operador, el posible retroceso podría propulsar la rueda que gira y la herramienta mecánica directamente hacia usted.
  - c. Cuando la rueda se esté atorando o cuando se interrumpa un corte por cualquier motivo, apague la herramienta mecánica y sujétela en posición inmóvil hasta que la rueda se detenga por completo. No intente nunca sacar del corte la rueda recortadora mientras dicha rueda esté en movimiento, ya que si lo hace podría ocurrir retroceso.** Investigue la causa del atoramiento de la rueda y tome medidas correctivas para eliminar dicha causa.
  - d. No reinicie la operación de corte en la pieza de trabajo. Deje que la rueda alcance su velocidad máxima y reente cuidadosamente en el corte.** La rueda se puede atorar, desviar o experimentar retroceso si la herramienta mecánica es rearrancada en la pieza de trabajo.
  - e. Soporte los paneles o cualquier pieza de trabajo muy grande para minimizar el riesgo de pellizcamiento y retroceso de la rueda.** Las piezas de trabajo grandes tienden a combarse bajo su propio peso. Se deben colocar soportes debajo de la pieza de trabajo cerca de la línea de corte y cerca del borde de la pieza de trabajo a ambos lados de la rueda.
  - f. Tenga precaución adicional cuando haga un “corte de bolsillo” en paredes existentes u otras áreas ciegas.** La rueda que sobresale podría cortar tuberías de gas o agua, cables eléctricos y objetos que pueden causar retroceso.
  - g. No intente realizar cortes curvos.** Si la rueda se somete a una tensión excesiva, se aumentan la carga y la susceptibilidad de la rueda a torcerse o atorarse en el corte, así como la posibilidad de retroceso o rotura de la rueda, lo cual puede causar lesiones graves.
  - h. No utilice ruedas abrasivas de tipo 1 diseñadas para amoladoras rectas.**
  - i. No intente cortar material grande ni chapas de metal, ya que esta máquina no está diseñada para ser una máquina recortadora dedicada.**

---

### 4. Advertencias de seguridad específicas para las operaciones de corte con ruedas abrasivas

- a. No “atore” la rueda recortadora ni ejerza una presión excesiva. No intente lograr una profundidad de corte excesiva.** Si se somete la rueda a una tensión excesiva, se aumenta la carga y la susceptibilidad de la rueda a torcerse o atorarse en el corte, así como la posibilidad de retroceso o rotura de la rueda.

---

### 5. Advertencias de seguridad específicas para las operaciones de lijado

- a. Utilice papel de disco de lijar de tamaño adecuado.** Siga las recomendaciones del fabricante cuando seleccione el papel de lija. Un papel de lija más grande que sobresalga demasiado de la almohadilla de lijar presenta un

**CONSERVE ESTAS INSTRUCCIONES**

## Normas de seguridad para amoladoras angulares inalámbricas

peligro de laceraciones y es posible que cause enganche, desgarramiento del disco o retroceso.

### 6. Advertencias de seguridad para las operaciones con cepillo de alambre

a. **Tenga presente que el cepillo lanza cerdas de alambre incluso durante la operación ordinaria. No someta los alambres a una tensión excesiva al aplicar una carga**

**excesiva al cepillo.** Las cerdas de alambre pueden penetrar fácilmente en la ropa ligera y/o la piel.

b. **Si se recomienda utilizar un protector para realizar operaciones con cepillo de alambre, no permita ninguna interferencia de la rueda con rayos de alambre o el cepillo de alambre con el protector.** La rueda con rayos de alambre o el cepillo de alambre se puede expandir en diámetro debido a la carga de trabajo y las fuerzas centrífugas.

## Normas de seguridad adicionales

**No use herramientas mecánicas con capacidad nominal solamente para CA con una fuente de energía de CC.** Aunque pueda parecer que la herramienta funciona correctamente, es probable que los componentes eléctricos de la herramienta con capacidad nominal para CA fallen y creen un peligro para el operador.

**Mantenga los mangos secos, limpios y libres de aceite y grasa.** Las manos resbalosas no pueden controlar de modo seguro la herramienta mecánica.

**Use abrazaderas u otro modo práctico de sujetar y soportar la pieza de trabajo en una plataforma estable.** Si se sujeta la pieza de trabajo con la mano o contra el cuerpo, se crea una situación inestable que podría causar pérdida de control.

**Desarrolle un programa de mantenimiento periódico de la herramienta. Cuando limpie una herramienta, tenga cuidado de no desmontar ninguna de sus partes, ya que los cables internos podrían reubicarse incorrectamente o pellizcarse, o los resortes de retorno de los protectores de seguridad podrían montarse incorrectamente.** Ciertos agentes de limpieza, tales como gasolina, tetracloruro de carbono, amoníaco, etc., podrían dañar las piezas de plástico.

**No utilice sistemas de aspiración u otro sistema de recolección de polvo al cortar metal.** Las chispas generadas al cortar metal pueden causar un incendio en el colector.

**⚠ ADVERTENCIA** **Cierto polvo generado por el lijado, aserrado, amolado y taladrado mecánicos, y por otras actividades de construcción, contiene agentes químicos que se sabe que causan cáncer, defectos de nacimiento u otros daños sobre la reproducción. Algunos ejemplos de estos agentes químicos son:**

- **Plomo de pinturas a base de plomo,**
- **Sílice cristalina de ladrillos y cemento y otros productos de mampostería, y**
- **Arsénico y cromo de madera tratada químicamente.**

**Su riesgo por causa de estas exposiciones varía, dependiendo de con cuánta frecuencia realice este tipo de trabajo.** Para reducir su exposición a estos agentes químicos: trabaje en un área bien ventilada y trabaje con equipo de seguridad aprobado, como por ejemplo máscaras antipolvo que estén diseñadas especialmente para impedir mediante filtración el paso de partículas microscópicas.

## Uso previsto

**⚠ ADVERTENCIA** **Utilice esta amoladora solo según está previsto.** Es posible que un uso no previsto cause lesiones corporales y daños materiales.

Esta amoladora está diseñada para utilizarse en materiales de metal, concreto o mampostería, para la remoción de imperfecciones superficiales, tales como soldaduras, rebabas, óxido o pintura, así como para la preparación de superficies de concreto.

Utilizando aditamentos opcionales adecuados, tales como un protector para cortar de Tipo A (1A/41), esta amoladora se

puede utilizar para cortar tuberías o varillas metálicas pequeñas. Además, cuando se utilice el protector para cortar de Tipo F (1A/41) con placa-base, junto con equipo de extracción de polvo, es posible cortar mampostería y concreto.








Hay disponible un aditamento de extracción de polvo de Tipo E diseñado especialmente, el cual se debe utilizar cuando se vayan a montar ruedas acopadas de diamante en esta amoladora para operaciones de acabado de superficies de concreto.

No utilice esta amoladora para cortar, amolar o tallar materiales de madera o de plástico.

**CONSERVE ESTAS INSTRUCCIONES**

## Símbolos

**⚠ ADVERTENCIA** **Importante: Es posible que se utilicen algunos de los siguientes símbolos en esta herramienta.** Por favor, estúdielos y aprenda su significado. La interpretación correcta de estos símbolos le permitirá utilizar la herramienta mejor y de manera más segura.

Símbolo	Designación / explicación
V	Voltios (tensión)
A	Amperios (corriente)
Hz	Hercios (frecuencia, ciclos por segundo)
W	Vatios (potencia)
kg	Kilogramos (peso)
min	Minutos (tiempo)
s	Segundos (tiempo)
∅	Diámetro (tamaño de las brocas taladradoras, los discos de amolar, etc.)
$n_0$	Velocidad sin carga (velocidad rotacional sin carga)
n	Velocidad nominal (velocidad máxima obtenible)
.../min	Revoluciones o reciprocaciones por minuto (revoluciones, carreras, velocidad superficial, órbitas, etc., por minuto)
0	Posición de apagado (velocidad cero, fuerza de torsión cero...)
1, 2, 3, ... I, II, III,	Ajustes del selector (ajustes de velocidad, fuerza de torsión o posición. Un número más alto significa mayor velocidad)
0 	Selector infinitamente variable con apagado (la velocidad aumenta desde el ajuste 0)
	Flecha (acción en el sentido de la flecha)
	Corriente alterna (tipo o característica de corriente)
	Corriente continua (tipo o una característica de corriente)
	Corriente alterna o continua (tipo o una característica de corriente)
	Construcción de Clase II (designa a herramientas de construcción con aislamiento doble)
	Terminal de puesta a tierra (terminal de conexión a tierra)

## Símbolos

**⚠ ADVERTENCIA** **Importante: Es posible que se utilicen algunos de los siguientes símbolos en esta herramienta.** Por favor, estúdielos y aprenda su significado. La interpretación correcta de estos símbolos le permitirá utilizar la herramienta mejor y de manera más segura.

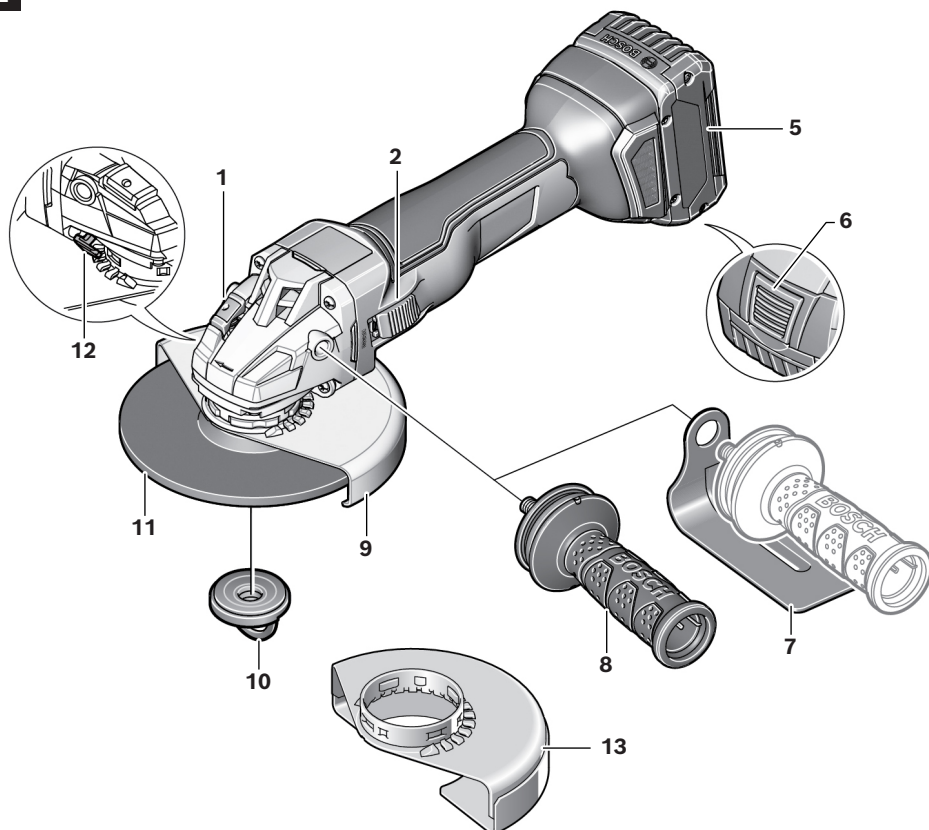
Symbole	Désignation / Explication
	Designa un programa de reciclaje de baterías de ion Li
	Alerta al usuario para que lea el manual
	Alerta al usuario para que use protección de los ojos.
	Alerta al usuario para que use protección respiratoria
	Alerta al usuario para que use protección de la audición
	Alerta al usuario para que use protección de los ojos, respiratoria y de la audición.
	Alerta al usuario para que agarre la herramienta con las dos manos.
	El protector para amolar de Tipo B (27) no se debe utilizar para cortar.
	Este símbolo indica que esta herramienta está homologada por Underwriters Laboratories, conforme a las normas estadounidenses y canadienses.
	Este símbolo indica que esta herramienta está homologada por la Canadian Standards Association.
	Este símbolo indica que esta herramienta está homologada por la Canadian Standards Association, conforme a las normas estadounidenses y canadienses.
	Este símbolo indica que esta herramienta está homologada por Intertek Testing Services, conforme a las normas estadounidenses y canadienses.

## Conociendo su amoladora angular

**⚠ ADVERTENCIA** Desconecte el paquete de batería de la herramienta o ponga el interruptor en la posición de fijación en apagado antes de hacer cualquier ensamblaje o ajuste, o cambiar accesorios. Dichas medidas preventivas de seguridad reducen el riesgo de arrancar accidentalmente la herramienta.

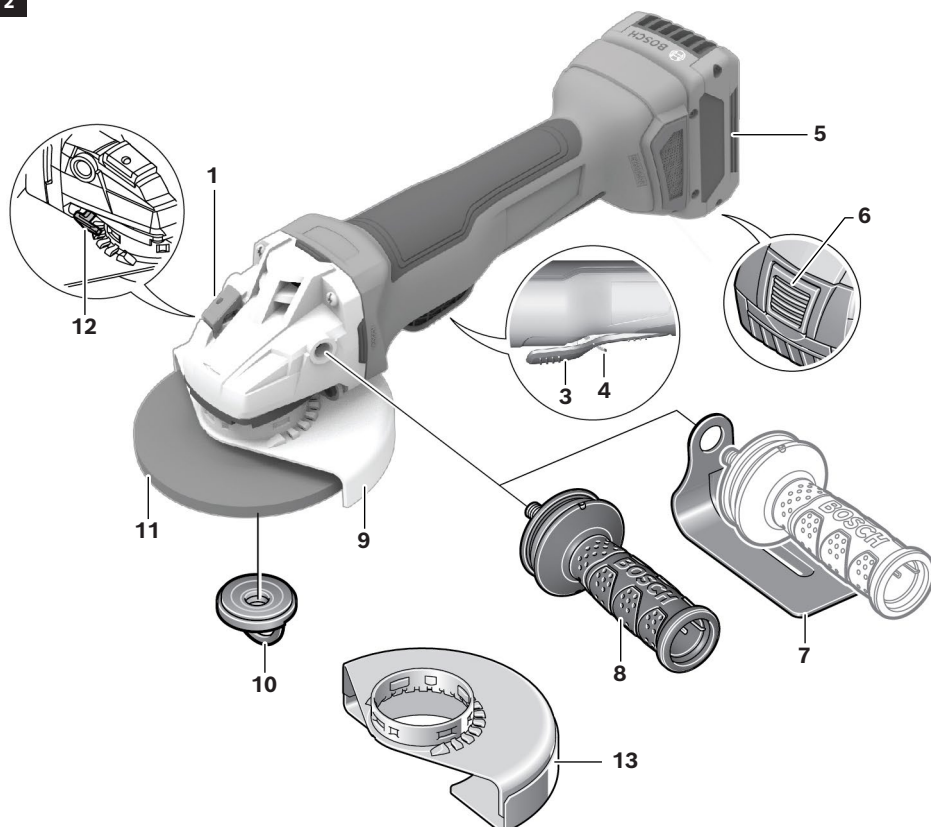
### Amoladora angular con interruptor deslizante GWS18V-10

Fig. 1



## Amoladora angular con interruptor de paleta GWS18V-10P

Fig. 2



- |   |   |    |  |
|---|---|----|--|
| 1 | Cierre del husillo  | 8  | Mango lateral de control de la vibración             |
| 2 | Interruptor deslizante (GWS18V-10)  | 9  | Protector de la rueda de amolar de Tipo B (27)       |
| 3 | Interruptor de paleta (GWS18V-10P)  | 10 | Tuerca de sujecion rapida                            |
| 4 | Palanca de liberación del interruptor de “fijación en apagado” (GWS18V-10P) | 11 | Rueda de amolar tipo 27*                             |
| 5 | Paquete de baterías   | 12 | Palanca de liberación del protector                  |
| 6 | Botón de liberación del paquete de baterías                                 | 13 | 11 Protector de la rueda de corte de Tipo A (1A/41)* |
| 7 | Protector de la mano*   |    |  |

\* vende por separado

## Specifications

Model Number	GWS18V-10	GWS18V-10P
Batería	18V (Bosch or AMPShareSeries)	18V (Bosch or AMPShareSeries)
Velocidad nominal	n 9,000/min	n 9,000/min
Interruptor	Deslizante	Interruptor de paleta
Freno de parada rápida del disco	Incluido	Incluido
Rosca del husillo	5/8"-11 UNC	5/8"-11 UNC
Longitud máxima del husillo	9/16" (14,3 mm)	9/16" (14,3 mm)
Ø máximo de la rueda de amolar Tipo 27	5" (125 mm)	5" (125 mm)
Grosor de la rueda de amolar Tipo 27	0.25" (6mm)	0.25" (6mm)
Ø máximo de la rueda de corte Tipo 41/1A, 27A	5" (125 mm)	5" (125 mm)
Ø máximo del disco de aletas	5" (125 mm)	5" (125 mm)
Ø máximo del disco de lijar	5" (125 mm)	5" (125 mm)
Ø máximo de la rueda de alambre	5" (125 mm)	5" (125 mm)
Anchura (grosor) máx. de la cara de la rueda de alambre	1/2" (12.7 mm)	1/2" (12.7 mm)
Ø máximo del cepillo acopado de alambre	3" (76 mm)	3" (76 mm)
Temperatura ambiente permitida		
- durante el proceso de carga:	+32 °F...+95 °F (0 °C...+35 °C)	
- durante la utilización:	-4 °F...+122 °F (-20 °C...+50 °C)	
- durante el almacenamiento:	-4 °F...+122 °F (-20 °C...+50 °C)	

## Aplicaciones

Model Number	GWS18V-10	GWS18V-10P
Amolado de metal (Tipo 27)	X	X
Amolado de metal (Tipo 11)	N	N
Corte de metal (Tipo 41/1A)	O	O
Acabado de superficies de concreto	O	O
Corte de concreto/mampostería	O	O
Lijado	O	O
Cepillado con alambre (rueda)	X	X
Cepillado con alambre (cepillo acopado)	O	O

X = La herramienta está provista con aditamentos para realizar esta aplicación.

O = La herramienta puede usar aditamentos opcionales para realizar esta aplicación.

N = La herramienta no es capaz de realizar esta aplicación.

La velocidad nominal del accesorio debe ser igual o mayor que la velocidad nominal de la herramienta. No exceda el diámetro recomendado para la rueda.

### ADVERTENCIA

**No utilice ruedas abrasivas (acopadas) de tipo 11 con esta herramienta.** Esta herramienta no está diseñada para utilizarse con ruedas de amolar abrasivas (acopadas) de tipo 11.

#### **Paquetes de batería/Cargadores de baterías:**

Sírvase consultar la lista de baterías/cargadores incluidas con su herramienta.

**NOTA:** Para obtener las especificaciones de la herramienta, consulte la placa del fabricante colocada en la herramienta.



## Descripciones funcionales

### Control de retroceso

El sistema electrónico de la herramienta eléctrica detecta las situaciones en las que es posible que la rueda o el accesorio corra el riesgo de atorarse. El sistema electrónico impide la rotación adicional del husillo de accionamiento, apagando la herramienta eléctrica (no previene el retroceso). Para reanudar el funcionamiento, ponga al interruptor de encendido y apagado en la posición de apagado y luego rearranque la herramienta.

### Protección automática contra rearranques

Ayuda a prevenir los arranques accidentales después de que se haya interrumpido el suministro eléctrico, por ejemplo, si se desenchufó la herramienta con el interruptor bloqueado en la posición de encendido. Para reanudar el funcionamiento, ponga al interruptor de encendido y apagado en la posición de apagado y luego rearranque la herramienta. Consulte el cuadro que se encuentra debajo de la Fig. 1 y de la Fig. 2 para averiguar qué amoladoras están equipadas con la "Protección automática contra rearranques".

### Protección contra sobrecargas

Ayuda a proteger la herramienta contra el calor excesivo que podría dañar el motor. Si la herramienta se detiene o pierde

velocidad durante la operación, deje que el motor se enfríe durante 30 segundos, haciendo funcionar la herramienta sin carga. Si la protección contra sobrecargas detiene repetidamente la herramienta, una fuerza excesiva está haciendo que la herramienta se sobrecargue. Pare la fuerza excesiva y reajuste la pieza de trabajo para reducir la fuerza aplicada.

### Control de caídas

La herramienta eléctrica está equipada con sensores que detectan los impactos a la amoladora. La herramienta se apagará si se cae sobre la mayoría de las superficies duras desde una altura de más de un pie o si recibe un golpe con una fuerza aproximadamente equivalente a una caída desde más de un pie. Después de cualquier impacto o activación de la función de apagado, inspeccione siempre la amoladora y la batería para determinar si hay señales de daños y no utilice la herramienta ni la batería si se sospecha cualquier daño.

## Operación de freno

**⚠ ADVERTENCIA** Deje que el accesorio de la amoladora se detenga por completo antes de dejar la herramienta en algún lugar. La acción del freno de esta amoladora no está diseñada como dispositivo de seguridad. El uso del protector adecuado cuando se utilice la amoladora es la mejor protección de la que usted dispone contra el contacto accidental con un accesorio que esté girando. Un contacto accidental con un accesorio que esté rotando puede causar daños materiales y/o lesiones corporales.

**⚠ ADVERTENCIA** Conozca el estado de carga de su batería. La acción de frenado eléctrico es iniciada SOLO por la liberación del interruptor gatillo y en una herramienta que tenga alimentación eléctrica disponible. Cuando se pierda la alimentación eléctrica debido a que la batería esté descargada u otras causas, el freno eléctrico no funcionará y el motor reducirá su velocidad gradualmente. Es posible que un tiempo inesperado de desaceleración hasta detenerse cause daños materiales y/o lesiones corporales.

La amoladora está equipada con un freno eléctrico automático que está diseñado para evitar que el accesorio gire rápida-

mente después de soltar el gatillo. Esta función ayuda a mejorar la productividad en el sitio de construcción.

El frenado comienza una vez que se apague la herramienta. Para que el freno funcione es necesario que la batería esté cargada. El tiempo de parada variará dependiendo, entre otros factores, del accesorio utilizado y del número de accionamientos. El freno eléctrico de la amoladora ha sido diseñado para ofrecer un alto grado de confiabilidad, pero las circunstancias inesperadas, tales como contaminación o una falla de los componentes del motor, pueden hacer que el freno no se active. Si la herramienta funciona pero el freno no detiene constantemente el accesorio, NO utilice la amoladora y haga que reciba servicio de ajustes y reparaciones por un Centro de Servicio de Fábrica Bosch o un centro de servicio autorizado Bosch.

## Ensamblaje

**⚠ ADVERTENCIA** Desconecte el paquete de batería de la herramienta o ponga el interruptor en la posición de fijación en apagado antes de hacer cualquier ensamblaje o ajuste, o cambiar accesorios. Dichas medidas preventivas de seguridad reducen el riesgo de arrancar accidentalmente la herramienta.

### Instalación del protector de la rueda

**⚠ ADVERTENCIA** Se debe instalar el protector de la rueda cuando se utilicen ruedas de amolar o cortar de disco. Mantenga siempre el protector de la rueda entre usted y la pieza de trabajo mientras esté amolando o cortando.

### Para instalar el protector de la rueda

(Fig. 1, Fig. 2, Fig. 3, Fig. 4)

Desconecte el paquete de baterías **5** de la herramienta.

Coloque el protector **9** sobre la pestaña de montaje del protector **14** hasta que las chavetas ubicadas en el protector **15** se alineen con las muescas ubicadas en la pestaña de montaje del protector **14** **A**.

Presione el protector **9** sobre la pestaña de montaje del protector **14** hasta que el hombro del protector **9** esté asentado contra la pestaña de montaje del protector **14** de la herramienta y gire el protector **9** hasta que se pueda escuchar claramente cómo se acopla.

Presione y mantenga presionada la palanca de liberación del protector **12** y ajuste la posición del protector **9** a la zona de utilización general. Para completar el ajuste, agarre la amoladora en una posición de trabajo, presione hacia arriba la palanca de liberación del protector **12**, gire el protector **9** hasta que se acople con un clic en la posición correcta y luego ajústelo según sea necesario.

- Ajuste siempre el protector **9** de manera que las tres levas rojas de la palanca de liberación del protector **12** se acoplen en las muescas correspondientes ubicadas en el protector **9** **B**.
- Posicione siempre el protector de la rueda **9** entre el operador y la pieza de trabajo, y dirija las chispas alejándolas del operador.
- ¡El protector **9** deberá girar solo cuando se accione la palanca de liberación del protector **12**! De lo contrario, la herramienta no se podrá seguir utilizando en ninguna circunstancia y debe ser llevada a un agente de servicio posventa.

**Nota:** Las chavetas ubicadas en el protector **15** aseguran que solo se pueda montar un protector **9** que sea compatible con el tipo de herramienta.

Fig. 3

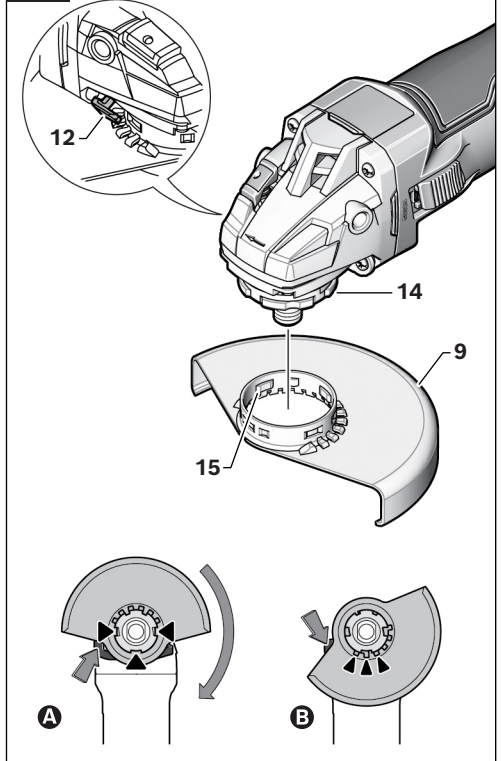
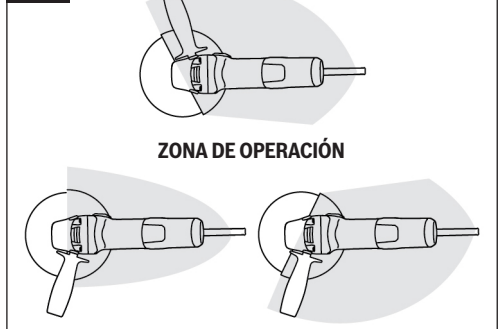


Fig. 4



## Para retirar el protector

(Fig. 3)

Presione la palanca de liberación **12**, rote el protector **9** hasta que las chavetas ubicadas en el mismo **15** se alineen con las muescas que se encuentran en la pestaña de montaje del protector **14** y levante el protector **9** hasta separarlo de la pestaña de montaje del protector **14**.

## Mango lateral de control de la vibración

(Fig. 1, Fig. 2)

El mango lateral se utiliza para controlar y equilibrar la herramienta. El mango se debe enroscar en la carcasa delantera en cualquiera de los dos lados de la herramienta, dependiendo de la preferencia personal y la comodidad. Utilice el mango lateral para lograr un control seguro y facilitar la operación.

## Protector de la mano opcional (accesorio opcional)

(Fig. 1, Fig. 2)

El protector de la mano **7** se debe utilizar con las zapatas de soporte, los discos de lijar y los cepillos de alambre para mantener los dedos y la mano alejados de la superficie de trabajo, los bordes afilados, las rebabas y los residuos. Cuando utilice el accesorio protector de la mano opcional **7**, inserte el mango lateral a través del agujero ubicado en el protector **7** y luego enrósquelo en la carcasa.

Asegúrese de que el protector de la mano **7** esté posicionado entre la mano y la zapata de soporte, el disco de lijar o el cepillo de alambre.

## Tuerca de sujeción rápida

(Fig. 1, Fig. 2, Fig. 5, Fig. 6)

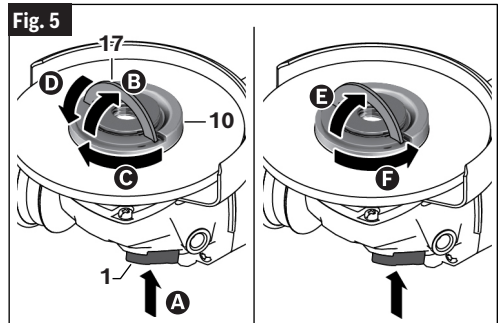
**⚠ ADVERTENCIA** Utilice únicamente accesorios con una velocidad nominal máxima de funcionamiento seguro que sea por lo menos igual a la velocidad máxima marcada en la herramienta eléctrica. Esta velocidad se basa en la resistencia de la rueda. No tiene como fin implicar una velocidad de funcionamiento óptima o más eficiente. No exceda la velocidad máxima de funcionamiento seguro.

Utilice la tuerca de sujeción rápida para asegurar el disco de amolar/cortar sin necesidad de herramientas adicionales. Utilice únicamente la tuerca de sujeción rápida para discos de amolar/cortar de hasta un diámetro máximo de 5 pulgadas (125 mm).

- La tuerca de sujeción rápida **10** se puede usar solamente para discos de amolar o cortar.
- Utilice únicamente tuercas de sujeción rápida **10** que estén en buenas condiciones de funcionamiento y no estén dañadas.
- Cuando enrosque, asegúrese de que el lado impreso de la tuerca de sujeción rápida **10** no esté orientado hacia el disco de amolar.

Presione el botón de fijación del husillo **1** para fijar el husillo de amolar **18** **A**. Para apretar la tuerca de sujeción rápida **10**, doble hacia arriba la barra **17** **B** y gire la tuerca de sujeción rápida **10** firmemente en el sentido de las agujas del reloj **C**. Luego, doble hacia abajo la barra **17** **D** para asegurar la tuerca de sujeción rápida **10**. No es suficiente apretar el disco a lo largo del borde.

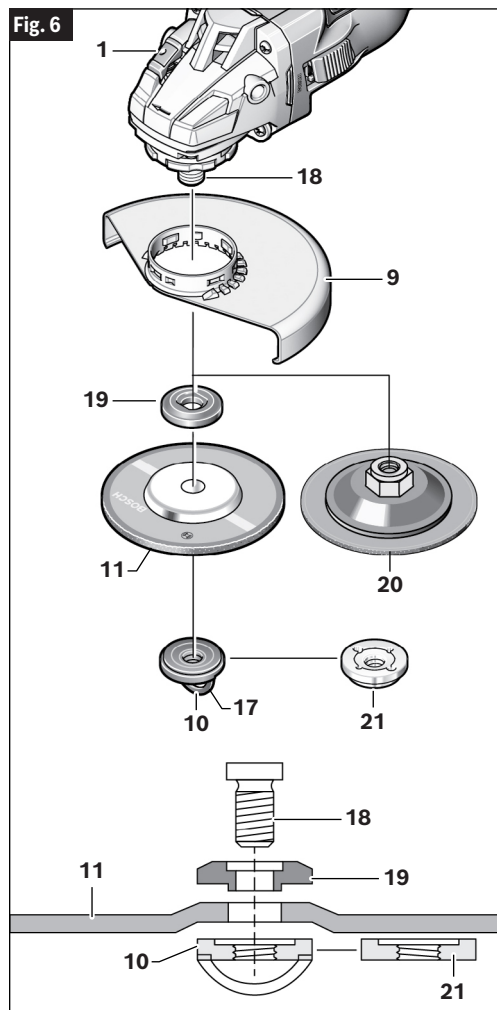
Una tuerca de sujeción rápida **10** asegurada adecuadamente y sin daños se puede quitar con la mano. Para hacer esto, doble hacia arriba la barra **17** **E** y gire la tuerca de sujeción rápida **10** firmemente en sentido contrario al de las agujas del reloj **F**. Si la tuerca de sujeción rápida **10** está atorada, no intente aflojarla con una herramienta, utilice siempre una llave de tuercas de fijación.



## Tuerca de fijación y pestaña de soporte

(Fig. 6)

La herramienta está equipada con un husillo roscado **18** para montar accesorios. Utilice siempre la tuerca de sujeción rápida **10** suministrada o la tuerca de fijación BOSCH original **21** (que puede comprar por separado), y la pestaña de soporte, que tiene el mismo tamaño de rosca que el husillo **18**. La pestaña de soporte **19** está enchavetada al eje de salida **18**. Si utiliza la tuerca de fijación BOSCH **21** original, asegúrese siempre de que dicha tuerca esté apretada correctamente con una llave de tuercas de fijación compatible.



## Ensamblaje de la rueda de amolar de disco

**⚠ ADVERTENCIA** No utilice accesorios que funcionen excéntricamente. La herramienta vibrará excesivamente y podrá causar pérdida de control, y es posible que el accesorio reviente.

### Para instalar el disco de amolar

(Fig. 1, Fig. 2, Fig. 6, Fig. 7)

1. Desconecte el paquete de baterías **5** de la herramienta.
2. Asegúrese de que el protector de la muela de Tipo B (27) **9** esté colocado en su sitio para amolar.
3. Coloque la pestaña de soporte **19** y el disco de amolar **11** en el husillo **18**. Asegúrese de que la pestaña de soporte **19** quede fija en la base del husillo **18**.
4. Enrosque la tuerca de fijación rápida **10** y apriétela utilizando la barra **17** plegable hacia arriba, a la vez que agarra el cierre del husillo **1**. (También puede utilizar una tuerca de fijación BOSCH **21** original, vendida por separado.)

PARA DESMONTAR: Invierta el procedimiento.

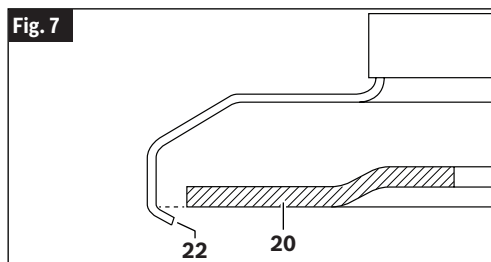
### Cuando utilice ruedas de instalación por giro

(Fig. 6, Fig. 7)

Siga los pasos 1 y 2 de "Para instalar el disco de amolar" y luego enrosque la rueda de amolar de instalación por giro de Tipo 27 **20** directamente en el husillo **18** sin utilizar las pestañas suministradas. Asegúrese siempre de que la rueda de amolar automontable **20** esté apretada correctamente con una llave de boca abierta (no suministrada).

PARA RETIRAR LA RUEDA: Invierta el procedimiento.

Todas las piezas de una rueda de amolar de instalación por giro de Tipo 27 **20** deben estar dentro del reborde del protector de la rueda **22**. Si la rueda de amolar de instalación por giro **20** sobrepasa el reborde del protector de la rueda **22**, no utilice esa rueda, ya que no es compatible con esta amoladora.



## Ensamblaje

### Ensamblaje de la rueda abrasiva de tipo 41/1A y 27A/42

(Fig. 1, Fig. 2, Fig. 8)

**⚠ ADVERTENCIA** Utilice siempre un protector de la rueda de corte de Tipo A (1A/41).

Utilizando el protector de la rueda de corte de Tipo A (1A/41) opcional **13**, es posible realizar cortes limitados en material pequeño, tal como tubos, tuberías o barras de refuerzo de metal.

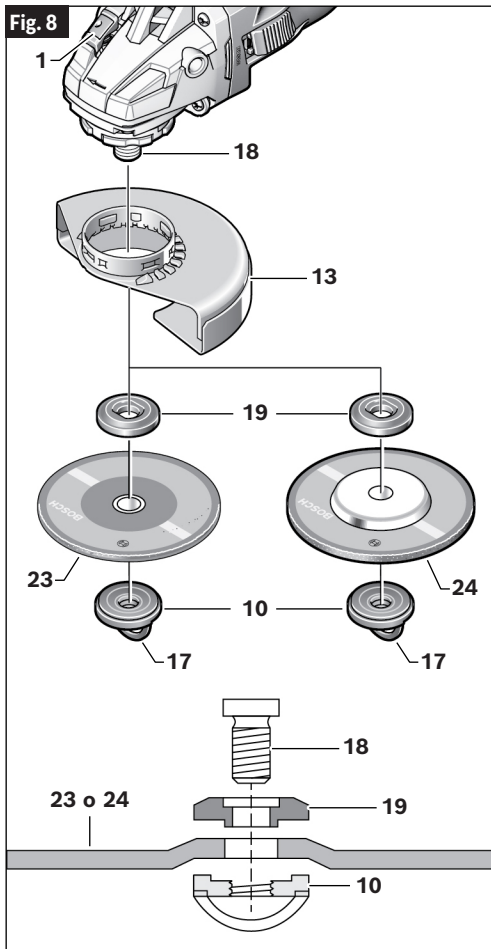
No intente cortar material grande ni chapas de metal, ya que esta herramienta no está diseñada para ser una herramienta de corte dedicada.

1. Desconecte el paquete de baterías **5** de la herramienta.
2. Asegúrese de que el protector de la rueda de corte de Tipo A (1A/41) **13** esté instalado en la posición correcta para cortar.
3. Cuando utilice ruedas de montaje, enrosque la pestaña de refuerzo **19** en el husillo **18** y luego coloque la rueda de corte de Tipo 41/1A **23** o la rueda de corte de Tipo 27A/42 **24** sobre la pestaña de refuerzo **19**.
4. Enrosque la tuerca de fijación rápida **10** y apriétela utilizando la barra plegable hacia arriba **17**, a la vez que agarra el cierre del husillo **1**.

PARA DESMONTAR: Invierta el procedimiento.

### Ruedas abrasivas de tipo 1 para amoladoras rectas

**⚠ ADVERTENCIA** No utilice ruedas abrasivas de Tipo 41/1A diseñadas amoladoras rectas / de troquel. Esta herramienta no está diseñada para utilizarse con ruedas abrasivas de Tipo 41/1A para amoladoras rectas / de troquel.



# Ensamblaje

## Ensamblaje de los accesorios de lijado

### Zapata de soporte

**⚠ ADVERTENCIA** Antes de colocar una zapata de soporte, asegúrese de que su velocidad máxima de funcionamiento con seguridad no es superada por la velocidad indicada en la placa del fabricante de la herramienta.

**⚠ ADVERTENCIA** El protector de la muela no se puede utilizar para la mayoría de las operaciones de lijado. Reinstale siempre el protector de la muela cuando realice la conversión a operaciones de amolado.

**⚠ ADVERTENCIA** No utilice la tuerca de sujeción rápida con la almohadilla de refuerzo para accesorios de lijado.

### Para instalar la almohadilla de refuerzo y el disco de lijado (no incluidos)

(Fig. 1, Fig. 2, Fig. 9)

Desconecte el paquete de baterías 5 de la herramienta.

Instale el protector de la mano 7. Apoye la herramienta sobre su lado superior (husillo 18 hacia arriba). Coloque la zapata de soporte 25 de caucho sobre el eje del husillo 18. Centre el disco de lijado 26 sobre la zapata de soporte 25. Introduzca la tuerca de fijación 27 a través del disco 26 y enrósquela en el husillo 18 hasta donde pueda con los dedos. Presione el cierre del husillo 1 y luego apriete firmemente la tuerca de fijación de la almohadilla de refuerzo 27 con una llave de tuercas de fijación.

PARA DESMONTAR: Invierta el procedimiento.

### Ensamblaje del cepillo de alambre

(Fig. 1, Fig. 2, Fig. 9)

Desconecte el paquete de baterías 5 de la herramienta. Instale el protector de la mano 7. Los cepillos de alambre 28 están equipados con su propio cubo roscado; simplemente enrosque dicho cubo 28 en el husillo 18. Asegúrese de que 28 quede asentado contra el hombro antes de "ENCENDER" la herramienta.

PARA DESMONTAR: Invierta el procedimiento.

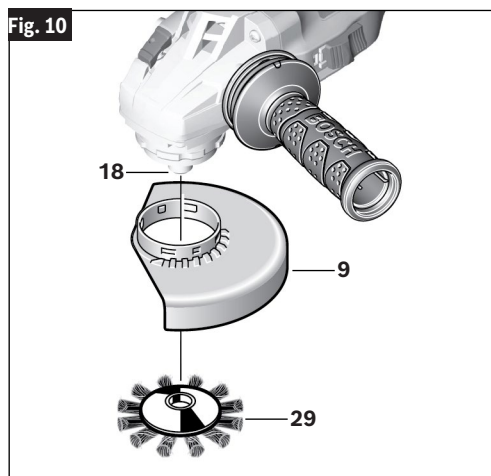
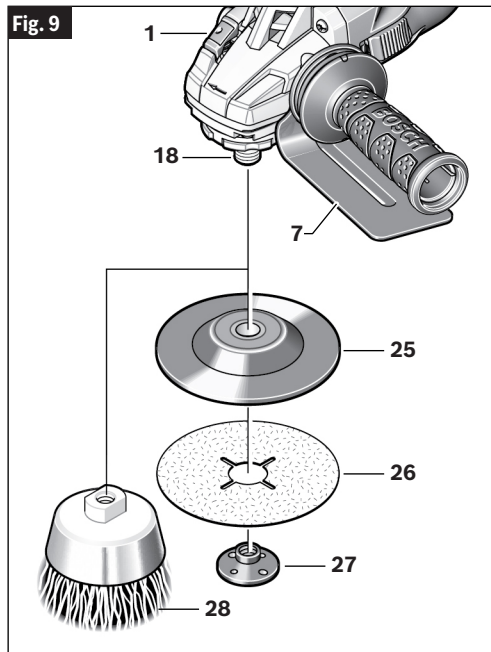
### Ensamblaje de la rueda con rayos de alambre

(Fig. 1, Fig. 2, Fig. 10)

Desconecte el paquete de baterías 5 de la herramienta. Instale el protector de la rueda de Tipo B (27) 9. Las ruedas con rayos de alambre 29 están equipadas con su propio cubo roscado; simplemente enrosque dicho cubo 29 en el husillo

18. Asegúrese de que 29 quede asentado contra el hombro antes de "ENCENDER" la herramienta.

PARA DESMONTAR: Invierta el procedimiento.



## Tipo E (protector del disco de amolar con superficie de diamante) con aditamento de extracción de polvo de concreto para el ensamblaje de amolar para acabar superficies

**⚠ ADVERTENCIA** No se puede utilizar un protector de la rueda de amolar de Tipo B (27) para todas las operaciones de la herramienta. No deseche el protector cuando no lo esté usando. Reinstale siempre el protector de la rueda cuando realice la conversión de vuelta para operaciones de amolado.

**⚠ ADVERTENCIA** El aditamento de extracción de polvo no es un protector. No lo utilice con ruedas abrasivas adheridas. Es posible que el aditamento de extracción de polvo no proteja al operador en el caso de que la rueda reviente.

### Para instalar el aditamento de extracción de polvo de concreto

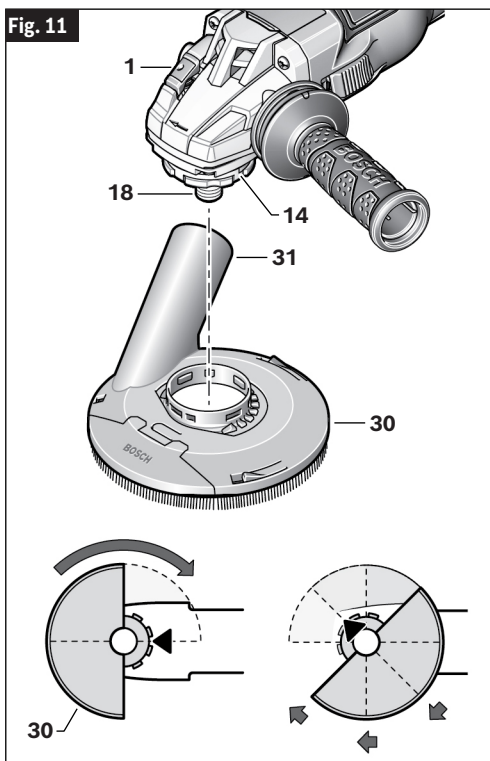
(Fig. 1, Fig. 2, Fig. 3, Fig. 5, Fig. 11)

1. Desconecte el paquete de baterías 5 de la herramienta.
2. Posicione el aditamento de extracción de polvo de concreto 30 sobre la pestaña de montaje del protector 14 con el puerto de extracción de polvo 31 apuntando de manera que se aleje del cuerpo de la herramienta.
3. Rote el aditamento de extracción de polvo de concreto 30 en el sentido de las agujas del reloj 90° hasta que se acople con un clic en la posición correcta.
4. Ajuste el aditamento de extracción de polvo de concreto 30 presionando la palanca de liberación del protector de la rueda 12 y rote el aditamento de extracción de polvo de concreto 30 hasta la posición deseada.
5. Deje que la palanca de liberación del protector de la rueda 12 se acople con un clic en la posición correcta.
6. Coloque la pestaña de refuerzo 19 en el husillo 18.
7. Coloque la rueda acopada de diamante en el husillo 18 y alinéela con la pestaña 19.
8. Enrosque la tuerca de fijación rápida 10 y apriétela utilizando la barra plegable hacia arriba 17, a la vez que agarra el cierre del husillo 1.

Cuando utilice ruedas de instalación por giro, siga los pasos 1 - 5 y luego enrosque la rueda directamente en el husillo 18 sin utilizar las pestañas suministradas.

PARA RETIRAR EL ADITAMENTO: Invierta el procedimiento.

Fig. 11





## Ensamblaje del protector para cortar mampostería

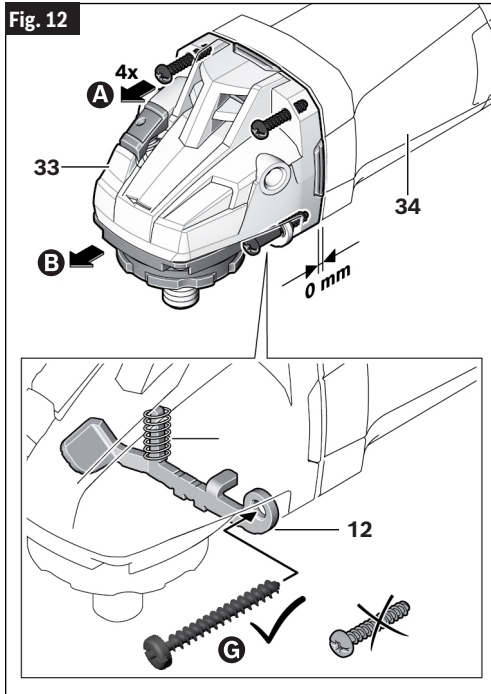
**⚠ ADVERTENCIA** No se puede utilizar un protector de la rueda de Type B (27) para todas las operaciones de la herramienta. No deseeche el protector cuando no lo esté usando. Reinstale siempre el protector de la rueda cuando realice la conversión de vuelta para operaciones de amolado.

Para mejorar la ergonomía de su amoladora cuando corte mampostería, la caja de engranajes se debe rotar respecto a la posición del interruptor con que la herramienta se ensambló en la fábrica.

### Rote la caja de engranajes

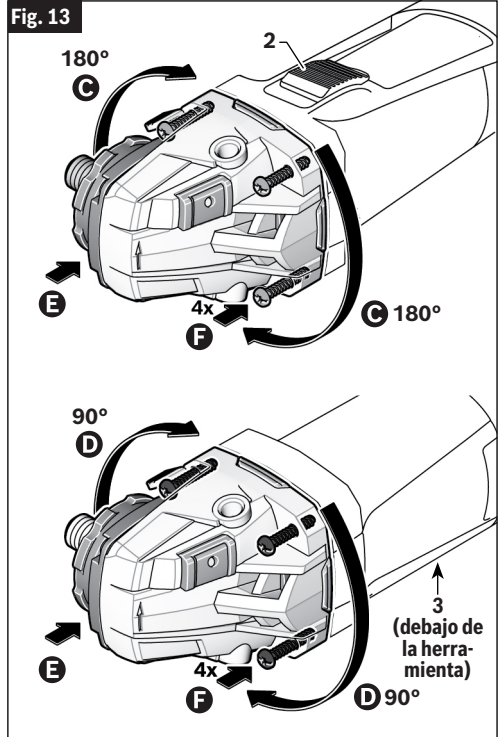
(Fig. 1, Fig. 2, Fig. 12, Fig. 13)

1. Desconecte el paquete de baterías **5** de la herramienta.
2. Desenrosque completamente los cuatro tornillos que sujetan la caja de engranajes **33** a la carcasa del motor **34** **A**.
3. Rote la caja de engranajes **33** hasta la orientación apropiada sin retirar el motor de la carcasa **34**.
  - Para los modelos con interruptor deslizante, rote la caja de engranajes 180 grados para que el interruptor



tor deslizante **2** esté a 90 grados respecto al husillo **18** **C** **E**.

- En el caso de los modelos con interruptor de paleta, rote la caja de engranajes **33** 90 grados, para que el interruptor de paleta **3** esté orientado hacia la pieza de trabajo **B** **D** **E**.
4. Enrosque y apriete los cuatro tornillos que retiró antes **F**.
  5. El tornillo que sujeta la palanca de liberación del protector **12** es más largo que los otros tornillos **G**. Este tornillo largo debe permanecer con la palanca de liberación del protector **12** cuando se reinstale la caja de engranajes **33** para que la palanca de liberación del protector **12** funcione correctamente.
  6. Instale el protector de recolección de polvo apropiado con el pie y el accesorio.





## Instalación de un protector para cortar mampostería de Tipo F (1A/41) con placa-base

(Fig. 1, Fig. 2, Fig. 12, Fig. 13, Fig. 14)

1. Ajuste la herramienta de la manera que se muestra en la Fig. 12 y la Fig. 13.
2. Desconecte el paquete de baterías **5** de la herramienta.
3. Desenrosque y retire el mango lateral **8**.
4. Deslice el protector para cortar mampostería **36** sobre la pestaña de montaje del protector **14**.
5. Rote el protector para cortar mampostería **36** hasta que el soporte de estabilidad y el agujero para el mango lateral estén alineados.
6. Enrosque el mango lateral **8** para asegurar el soporte de estabilidad entre la carcasa de la herramienta y el mango **8**.
7. Ajuste el protector para cortar mampostería **36** a la profundidad de corte deseada.

PARA RETIRAR EL PROTECTOR: Invierta el procedimiento.

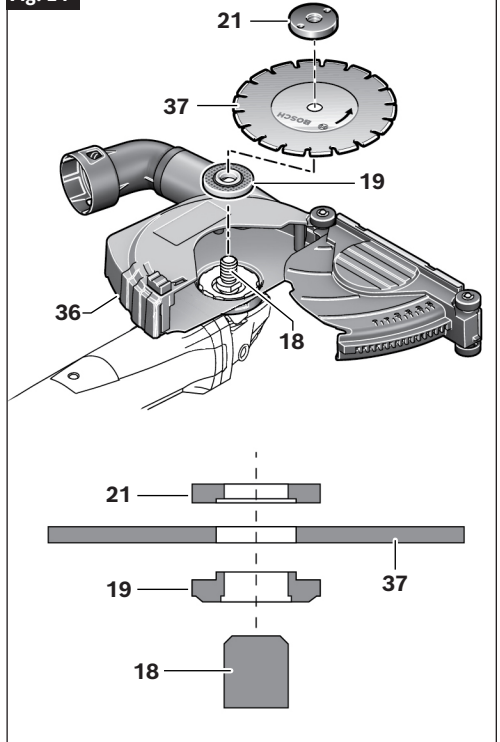
## Instalación de la rueda de diamante para cortar en seco

(Fig. 1, Fig. 2, Fig. 14)

1. Coloque la pestaña de refuerzo **19** en el husillo **18**. Gire la pestaña **19** hasta que se bloquee con la base del husillo **18**.
2. Coloque la rueda de diamante para cortar en seco **37** en el husillo **18** y alinee el agujero para el eje portaherramienta con el hombro de la pestaña de refuerzo **19**.
3. Enrosque la tuerca de fijación rápida **10** y apriétela utilizando la barra plegable hacia arriba **17**, a la vez que agarra el cierre del husillo **1**.

PARA RETIRAR LA RUEDA: Invierta el procedimiento.

Fig. 14



## Introducción y suelta del paquete de baterías

(Fig. 1, Fig. 12, Fig. 15)

Esta herramienta está equipada con "Protección automática contra re arranques". Esta característica ayuda a prevenir los arranques accidentales después de que se haya interrumpido la alimentación eléctrica, p. ej., cuando la batería **5** haya sido retirada con el interruptor bloqueado **2** en la posición de encendido. Para reanudar el funcionamiento, ponga el interruptor deslizable **2** en la posición de apagado y de vuelta en la posición de encendido para re arrancar la herramienta.

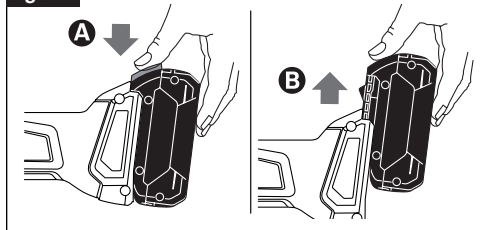
Asegúrese de que el interruptor deslizable **2** esté en la posición de APAGADO antes de insertar o retirar el paquete de baterías **5**. Para insertar el paquete de baterías **5**, deslice dicho paquete hacia el interior de la carcasa del motor **34** hasta que el paquete de baterías **5** esté fijo en la posición **A**.

Para quitar el paquete de baterías **5**, oprima el botón de liberación del paquete de baterías **6** y deslice dicho paquete **5** hacia delante.

Esta herramienta está equipada con un pestillo de fijación secundario para evitar que el paquete de baterías **5** se caiga completamente de la carcasa del motor **34**, en el caso de que se suelte debido a la vibración.

Oprima de nuevo el botón de liberación del paquete de baterías **6** y deslice dicho paquete **5** completamente hacia afuera hasta sacarlo de la carcasa de la herramienta **34** **B**.

Fig. 15



# Instrucciones de funcionamiento

**⚠ ADVERTENCIA** No deje nunca el gatillo bloqueado en la posición de “ENCENDIDO”. Antes de enchufar la herramienta, compruebe que el cierre del gatillo esté en la posición de “APAGADO”. Los arranques accidentales podrían causar lesiones.

**⚠ ADVERTENCIA** Conozca la ubicación y el ajuste del botón de “Fijación en ENCENDIDO” del interruptor. Si el interruptor está bloqueado en la posición de “ENCENDIDO” durante el uso, esté preparado para, en situaciones de emergencia, ponerlo en la posición de “APAGADO”.

**⚠ ADVERTENCIA** No utilice la función de “Fijación en ENCENDIDO” del interruptor en situaciones en las que el retroceso sea probable, como por ejemplo cuando se trabaje en una esquina. Cuando la rueda se atore, la herramienta experimentará retroceso en sentido opuesto al de la rotación de la rueda y puede que la liberación de la “Fijación en ENCENDIDO” del gatillo sea difícil.

**⚠ ADVERTENCIA** Agarre la herramienta con las dos manos mientras la esté arrancando. La fuerza de torsión procedente del motor puede hacer que la herramienta se tuerza.

Arranque la herramienta antes de aplicarla a la pieza de trabajo. Levante la herramienta de la pieza de trabajo antes de soltar el interruptor. No encienda y apague la herramienta con el interruptor mientras la herramienta está sometida a carga; esto acortará enormemente la vida del interruptor.

## Interruptor deslizante con fijación en ENCENDIDO

### Para encender la herramienta

(Fig. 16)

Deslice el interruptor deslizante **2** hacia delante, hacia la caja de engranajes **33**, hasta que se detenga y el motor comience a funcionar **A**.

Para realizar la fijación en ENCENDIDO, cuando el interruptor deslizante **2** esté en la posición de ENCENDIDO, presione la parte delantera del interruptor deslizante **2 B** y suéltela. El interruptor deslizante **2** debería permanecer en la posición de fijación en ENCENDIDO y la herramienta continuará funcionando.

### Para apagar la herramienta

(Fig. 16)

Presione la parte trasera del interruptor **2 C**. El interruptor **2** está accionado por resorte y regresará automáticamente a la posición de “apagado”.

## Interruptor de paleta

(Fig. 17)

El interruptor de paleta **3** tiene una función de fijación en apagado para ayudar a prevenir los arranques accidentales.

### Para encender la herramienta

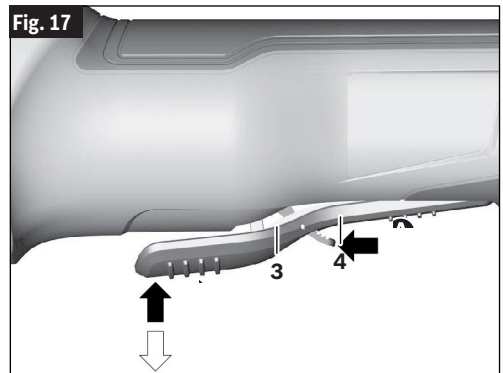
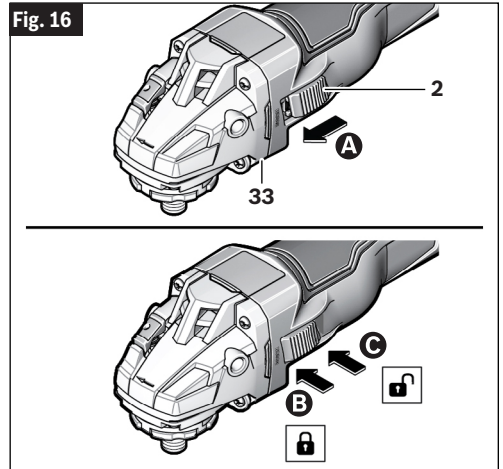
(Fig. 17)

Presione hacia delante el interruptor de fijación en apagado **4 A** para desbloquear el interruptor de paleta **3** y luego comprima el interruptor de paleta **3 B**.

### Para apagar la herramienta

(Fig. 17)

Reduzca la presión sobre el interruptor de paleta **3 C**. El interruptor **3** está accionado por resorte y regresará automáticamente a la posición de “apagado”.



# Instrucciones de funcionamiento

## Amolado

### Selección de ruedas de amolar

**⚠ ADVERTENCIA** Antes de utilizar una rueda de amolar, asegúrese de que su velocidad máxima de funcionamiento con seguridad no es superada por la velocidad indicada en la placa del fabricante de la amoladora. No exceda el diámetro de muela recomendado.

### Ruedas De Amolar De Disco

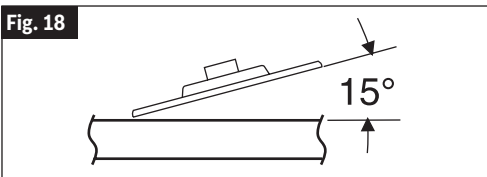
(Fig. 18)

Las ruedas de amolar se deben seleccionar cuidadosamente para utilizar la amoladora con una eficiencia máxima. Las muelas varían en cuanto a tipo de abrasivo, adhesivo, dureza, tamaño del grano y estructura. El tipo correcto de rueda de amolar que se debe utilizar es determinado por el trabajo. Utilice ruedas de amolar de disco para realizar amolado rápido de acero estructural, cordones de soldadura pesada y piezas fundidas de acero, así como acero inoxidable y otros metales ferrosos.

### Consejos para amolar

1. Deje que la herramienta alcance la máxima velocidad antes de tocar la superficie de trabajo con ella.
2. Aplique una presión mínima a la superficie de trabajo, dejando que la herramienta funcione a alta velocidad. La tasa de amolado es máxima cuando la herramienta funciona a alta velocidad.
3. Mantenga un ángulo de  $10^\circ$  a  $15^\circ$  entre la herramienta y la superficie de trabajo.

Fig. 18



**⚠ ADVERTENCIA** Una presión excesiva o repentina sobre la muela retrasará la acción de amolado y someterá a la muela a un esfuerzo peligroso.

4. Mueva continuamente la herramienta a una velocidad moderada para evitar crear surcos en la superficie de trabajo.
5. Retire la herramienta de la superficie de trabajo antes de apagarla. Deje que la herramienta pare de rotar antes de dejarla en algún sitio.

Al amolar con una muela nueva, asegúrese de amolar mientras que tira de la herramienta hacia atrás hasta que el borde de la muela quede redondeado. Las muelas nuevas tienen esquinas afiladas que tienden a "morder" o cortar la pieza de trabajo al empujar hacia adelante.

# Instrucciones de funcionamiento

## Corte

### Corte de metal

(Fig. 19)

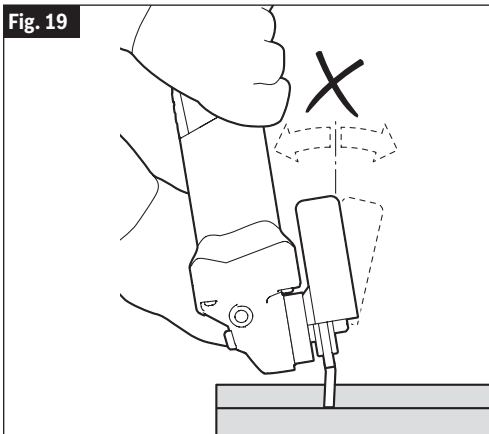
**⚠ ADVERTENCIA** Es posible que no se incluya un protector de la rueda de corte de Tipo A (1A/41) con esta herramienta, pero dicho protector se requerirá cuando se esté utilizando una rueda de corte. Puede que cortar con un protector de la rueda de tipo 27 no ofrezca al operador suficiente protección en el caso de que la rueda reviente.

Con esta amoladora es posible realizar corte de material pequeño limitado, como por ejemplo tubos, tuberías o barras de refuerzo de metal. Cuando corte, trabaje con una velocidad de avance moderada, adaptada al material que se esté cortando. Cuando corte perfiles y barra cuadrada, lo mejor es comenzar en la sección transversal más pequeña.

Siga siempre las precauciones para evitar el retroceso.

1. Deje que la herramienta alcance la máxima velocidad antes de tocar la superficie de trabajo con ella.
2. La herramienta se deberá usar siempre de manera que las chispas se dirijan alejándose del usuario.
3. Aplique una presión mínima a la superficie de trabajo, dejando que la herramienta funcione a alta velocidad. La tasa de corte es máxima cuando la herramienta funciona a alta velocidad.
4. No ejerza presión lateral sobre el disco de corte. No incline ni oscile la herramienta, ya que puede que la rueda reviente.
5. Retire la herramienta de la superficie de trabajo antes de apagarla. Deje que la herramienta pare de rotar antes de dejarla en algún sitio.

Fig. 19



### Masonry / Concrete Cutting

(Fig. 20, Fig. 21)

With this grinder it is possible to perform cutting of concrete and masonry materials. When cutting, work with moderate feed, adapted to the material being cut.

Always follow precautions for kickback.

Operate the tool with a dust extraction system and personal dust protection, e.g. respirator, dust mask, etc. The vacuum used for this application must be approved for the extraction of masonry and concrete dust. Bosch sells suitable vacuum cleaners.

**⚠ ADVERTENCIA** Never pull the tool backward since blade will climb out of the material and KICKBACK will occur.

1. Allow the tool to reach full speed before touching the tool to the work surface.
2. If plunge cutting:
  - Tilt tool forward with wheel lined up with the cut line and hold the tool by the grinder body and the auxiliary handle **A**.

Fig. 20

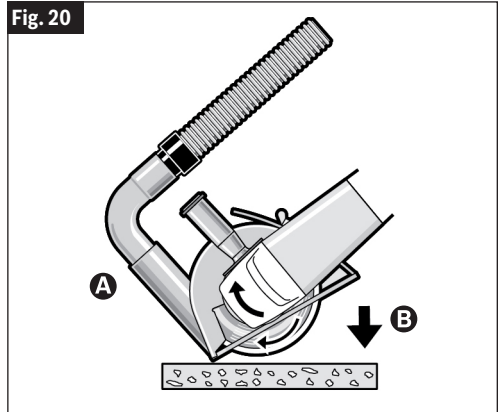
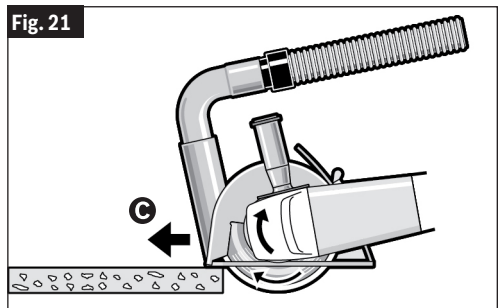


Fig. 21



## Instrucciones de funcionamiento

- Gradually lower the rear of tool using the front end of the foot as the hinge point **B**.
  - When the foot rests flat on the surface being cut, proceed cutting in forward direction to end of cut.
3. Always maintain contact between the guard foot and work piece.
  4. Slide the tool forward at a moderate speed adapted to the material being cut. Always cut towards the dust extraction port to maximize dust extraction and reduce likelihood of kickback **C**.
  5. Apply minimum pressure to the work surface, allowing the tool to operate at high speed. Cutting rate is greatest when the tool operates at high speed.
  6. When the cut is completed, remove tool from work piece before turning off. Allow wheel to stop rotating before setting tool down.

**Tip:** When performing deep cuts, it is best to cut in several shallow passes. Each pass should be only to the segment depth of the wheel. Masonry dust is abrasive and may wear and weaken the segment bond.

When cutting especially hard material, e. g., concrete with high pebble content, the dry diamond wheel can overheat and become damaged. This is clearly indicated by circular sparking of the rotating dry diamond wheel. In this case, interrupt the cutting process and allow the dry diamond wheel to cool by running the tool for a short period of time at the maximum speed with no-load.

Noticeable decreasing work progress and circular sparking are indications of a dry diamond wheel that has become dull. Briefly cutting into abrasive materials (e. g. brick) can resharpen the wheel.

### **Acabado de superficies de concreto**

Utilice la herramienta con un sistema de extracción de polvo y protección personal contra el polvo, como por ejemplo un respirador, una máscara antipolvo, etc. La aspiradora utilizada para esta aplicación debe estar aprobada para la extracción de polvo de mampostería y de concreto. Bosch vende aspiradoras adecuadas.

Las ruedas acopadas de diamante se deben seleccionar cuidadosamente para utilizar la amoladora de la manera más eficiente posible. La ruedas varían en el tipo de material que están diseñadas para retirar y qué tan agresivamente retirarán dicho material. La rueda correcta que se debe usar es determinada por el trabajo.

1. Deje que la herramienta alcance la máxima velocidad antes de tocar la superficie de trabajo con ella.
2. Sujete la herramienta con las dos manos y mantenga la rueda de diamante en posición plana sobre la superficie de trabajo.
3. Aplique una presión mínima, dejando que la herramienta funcione a alta velocidad. La tasa de remoción es máxima cuando la herramienta funciona a alta velocidad.
4. Mueva continuamente la herramienta a una velocidad moderada para evitar crear surcos en la superficie de trabajo.
5. Retire la herramienta de la superficie de trabajo antes de apagarla. Deje que la herramienta pare de rotar antes de dejarla en algún sitio.

**Consejo:** Para lograr una recolección de polvo óptima, todos los lados del protector de recolección de polvo para acabado de superficies deben permanecer en contacto con la superficie y el protector para acabado de superficies debe estar conectado a una aspiradora. Una rueda de diamante desafilada se puede afilar frotando con ella brevemente la superficie de un material abrasivo (por ejemplo, una piedra arenisca).

# Instrucciones de funcionamiento

## Operaciones de lijado

(Fig. 22)

### Selección del disco de lijar

Los discos de lijar están hechos de granos de óxido de aluminio extremadamente duros y afilados, adheridos con resinas fenólicas a un fuerte soporte de fibra para servicios pesados rápidos y larga duración. El disco varía en cuanto a tamaño y separación de los granos abrasivos. CAPA ABIERTA (tipo H) - utilizado para materiales blandos y sobre pintura o barniz. CAPA CERRADA (tipo K) - utilizado para metal, madera dura, piedra, mármol y otros materiales.

Los discos de lijar varían en grano desde 16 (muy grueso) hasta 180 (muy fino). Para obtener mejores resultados, seleccione los discos de lijar cuidadosamente. Muchos trabajos requieren la utilización de varios tamaños de grano y a veces se requieren tanto discos de "capa abierta" como de "capa cerrada" para realizar el trabajo más deprisa. Consulte el cuadro para ver ejemplos de aplicaciones.

<b>OPERACION:</b> Reacabado de superficies de madera o de metal pintadas.	
<b>Observaciones Grano</b>	<b>Grit</b>
Para quitar pintura y alisar irregularidades de la superficie.	Grueso 16-24-30
Para alisar el lijado basto.	Mediano 36-50-80
Para quitar arañazos dejados por discos anteriores	Fino 100-120
Para alisar superficies para pintar, pulir o encerar.	Muy fino 150-180

### Consejos para lijar

Para mejores resultados, incline la lijadora de disco hasta un ángulo de 10° a 15° mientras lija para que aproximadamente sólo 1 pulgada de la superficie alrededor del borde del disco esté en contacto con la superficie de trabajo.

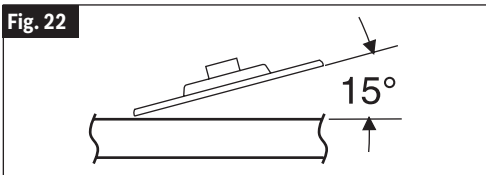


Fig. 22

**⚠ ADVERTENCIA** Si el disco (accesorio) se mantiene en posición horizontal o si el borde de atrás del disco entra en contacto con la pieza de trabajo, se puede producir un violento impulso hacia un lado.

Si la lijadora se inclina demasiado, la acción de lijado será demasiado grande y se producirá una superficie cortada bastante o acanalado y atasco.

Guíe la lijadora de disco con pasadas transversales. Tenga cuidado de no mantener la lijadora en el mismo sitio demasiado tiempo. No utilice un movimiento circular, ya que esto causa marcas de remolino. Antes de la utilización, haga una prueba sobre material de desecho.

No fuerce ni aplique presión al lijar. Utilice únicamente el peso de la herramienta como presión. Un exceso de presión en realidad entorpece el funcionamiento de la herramienta. Si se desea una remoción de material más rápida, cambie a un disco de grano más grueso.

Quite la pintura gomosa del metal con un disco de "capa abierta". Lije hasta que empiecen a saltar chispas y entonces pare y cambie a un disco de "capa cerrada" para quitar la pintura que quede.

### Lijado de madera

Al lijar madera, el sentido del movimiento del disco en el punto de contacto debe ser tan paralelo a la veta como sea posible. El corte rápido de los discos y la configuración de arañazos tipo remolino que crean de vez en cuando prohíben generalmente su utilización para producir el acabado final.

Los arañazos y las marcas circulares suelen producirse como resultado de la utilización de un grano demasiado grueso. Cuando cambie a un grano más fino, lije cruzando las líneas de lijado que fueron hechas por un disco más grueso utilizado anteriormente.

### Lijado de metal

Al lijar automóviles o electrodomésticos, limpie el metal con un disolvente ininflamable o con un limpiador comercial para quitar toda la cera y la grasa. Al hacer esto primero, los discos de lijar limpiarán mejor y durarán más.

Para trabajo pesado, utilice primero un disco de grano grueso. Siga con un grano mediano para quitar los arañazos. Para producir un acabado liso, utilice un disco de grano fino.

# Instrucciones de funcionamiento

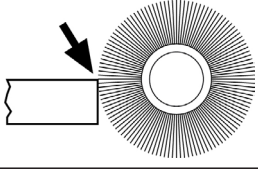
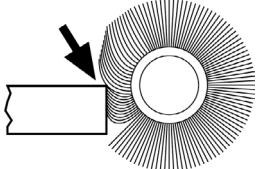
## Operaciones con cepillos de alambre

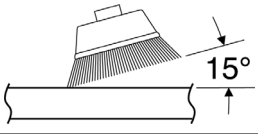
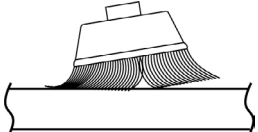
**⚠ ADVERTENCIA** Evite que el cepillo de alambre rebote y se atasque, especialmente al trabajar en esquinas, bordes afilados, etc. Eso puede causar pérdida de control y retroceso.

Los cepillos de alambre están diseñados para “limpiar” acero estructural, piezas fundidas, chapa metálica, piedra y concreto. Se utilizan para quitar herrumbre, costra y pintura.

### Presión de cepillado

1. Recuerde que las puntas de un cepillo de alambre hacen el trabajo. Utilice el cepillo con la presión más ligera para que solamente las puntas del alambre entren en contacto con la pieza de trabajo.
2. Si se utilizan presiones más grandes, se someterá a los alambres a una tensión excesiva, lo cual dará como resultado una acción de barrido, y si se continúa haciendo esto, podrá acortarse la duración del cepillo debido a la fatiga del alambre.
3. Aplique el cepillo a la pieza de trabajo de manera que tanta cara del cepillo como sea posible esté en contacto completo con la pieza de trabajo. La aplicación del lado o del borde del cepillo a la pieza de trabajo causará la rotura del alambre y acortará la duración del cepillo.

CEPILLO DE RUEDA DE ALAMBRE	
<b>CORRECTO:</b> Las puntas de alambre hacen el trabajo.	
<b>INCORRECTO:</b> Una presión excesiva puede causar la rotura del alambre.	

CEPILLO ACOPADO DE ALAMBRE	
<b>CORRECTO:</b> Las puntas de alambre hacen el trabajo.	
<b>INCORRECTO:</b> Una presión excesiva puede causar la rotura del alambre.	



## Mantenimiento

**⚠ ADVERTENCIA** Para evitar accidentes, desconecte siempre la herramienta y/o el cargador de la fuente de energía antes de la limpieza.

### Servicio

**⚠ ADVERTENCIA** **NO HAY PIEZAS EN EL INTERIOR QUE PUEDAN SER AJUSTADAS O REPARADAS POR EL USUARIO.** El mantenimiento preventivo realizado por personal no autorizado puede dar lugar a la colocación incorrecta de cables y componentes internos que podría constituir un peligro serio. Recomendamos que todo el servicio de las herramientas sea realizado en un Centro de servicio de fábrica Bosch o en una Estación de servicio Bosch autorizada.

### Baterías

Esté alerta a los paquetes de baterías que estén aproximándose al final de su vida útil. Si observa una disminución del rendimiento de la herramienta o un tiempo de funcionamiento significativamente más corto entre cargas, entonces ha llegado el momento de cambiar el paquete de baterías. Si no se hace esto, el resultado puede ser que la herramienta funcione incorrectamente o que el cargador se dañe.

### Lubricación de las herramientas

Su herramienta Bosch ha sido lubricada adecuadamente y está lista para la utilización.

### Motores

El motor de la herramienta ha sido diseñado para muchas horas de servicio fiable. Para mantener un rendimiento óptimo del motor, recomendamos que éste sea examinado cada seis meses. Sólo se debe usar un motor de repuesto Bosch genuino diseñado especialmente para la herramienta.

### Limpieza

**⚠ PRECAUCIÓN** **Ciertos agentes de limpieza y disolventes dañan las piezas de plástico.** Algunos de estos son: gasolina, tetracloruro de carbono, disolventes de limpieza clorados, amoníaco y detergentes domésticos que contienen amoníaco.

Las aberturas de ventilación y las palancas de interruptor deben mantenerse limpias y libres de materias extrañas. No intente limpiar introduciendo objetos puntiagudos a través de las aberturas.

### Almacenamiento y mantenimiento de los accesorios

Almacene los accesorios en un lugar fresco y seco y evite que se congelen. Antes de usarlos, compruebe si hay grietas y fracturas y no los use si se sospecha que están dañados.

## Accesorios

**⚠ ADVERTENCIA** **No utilice aditamentos/accesorios que no sean los especificados por Bosch.** Es posible que el uso de aditamentos/accesorios no especificados para utilizarse con la herramienta descrita en este manual cause daños a la herramienta, daños materiales y/o lesiones corporales.

**⚠ ADVERTENCIA** **No utilice ruedas abrasivas (acopadas) de tipo 11 con esta herramienta.** Esta herramienta no está diseñada para utilizarse con ruedas de amolar abrasivas (acopadas) de tipo 11.

Equipamiento estandar	Accesorios y complementos opcionales
<ul style="list-style-type: none"><li>• Protector de la rueda de amolar de Tipo B (27)</li><li>• Tuerca de sujeción rápida</li><li>• Pestaña de soporte</li><li>• Mango lateral</li><li>• Llave de tuercas de fijación</li></ul>	<ul style="list-style-type: none"><li>• Tuerca de fijación</li><li>• Protector de la rueda de corte de Tipo A (1A/41)</li><li>• Protector de la mano</li><li>• Zapata de soporte</li><li>• Cubierta para amolar superficies de concreto de Tipo E</li><li>• Protectores para cortar concreto y/o mampostería de Tipo F</li></ul>

**Copyright © 2012–2020 STMicroelectronics**

All rights reserved.

Redistribution and use in source and binary forms, with or without modification, are permitted provided that the following conditions are met:

Redistributions of source code must retain the above copyright notice, this list of conditions and the following disclaimer.

Redistributions in binary form must reproduce the above copyright notice, this list of conditions and the following disclaimer in the documentation and/or other materials provided with the distribution.

Neither the name of STMicroelectronics nor the names of its contributors may be used to endorse or promote products derived from this software without specific prior written permission.

THIS SOFTWARE IS PROVIDED BY THE COPYRIGHT HOLDERS AND CONTRIBUTORS "AS IS" AND ANY EXPRESS OR IMPLIED WARRANTIES, INCLUDING, BUT NOT LIMITED TO, THE IMPLIED WARRANTIES OF MERCHANTABILITY AND FITNESS FOR A PARTICULAR PURPOSE ARE DISCLAIMED. IN NO EVENT SHALL THE COPYRIGHT OWNER OR CONTRIBUTORS BE LIABLE FOR ANY DIRECT, INDIRECT, INCIDENTAL, SPECIAL, EXEMPLARY, OR CONSEQUENTIAL DAMAGES (INCLUDING, BUT NOT LIMITED TO, PROCUREMENT OF SUBSTITUTE GOODS OR SERVICES; LOSS OF USE, DATA, OR PROFITS; OR BUSINESS INTERRUPTION) HOWEVER CAUSED AND ON ANY THEORY OF LIABILITY, WHETHER IN CONTRACT, STRICT LIABILITY, OR TORT (INCLUDING NEGLIGENCE OR OTHERWISE) ARISING IN ANY WAY OUT OF THE USE OF THIS SOFTWARE, EVEN IF ADVISED OF THE POSSIBILITY OF SUCH DAMAGE.

**Copyright © 2009–2020 ARM LIMITED**

All rights reserved.

Redistribution and use in source and binary forms, with or without modification, are permitted provided that the following conditions are met:

Redistributions of source code must retain the above copyright notice, this list of conditions and the following disclaimer.

Redistributions in binary form must reproduce the above copyright notice, this list of conditions and the following disclaimer in the documentation and/or other materials provided with the distribution.

Neither the name of ARM nor the names of its contributors may be used to endorse or promote products derived from this software without specific prior written permission.

THIS SOFTWARE IS PROVIDED BY THE COPYRIGHT HOLDERS AND CONTRIBUTORS "AS IS" AND ANY EXPRESS OR IMPLIED WARRANTIES, INCLUDING, BUT NOT LIMITED TO, THE IMPLIED WARRANTIES OF MERCHANTABILITY AND FITNESS FOR A PARTICULAR PURPOSE ARE DISCLAIMED. IN NO EVENT SHALL THE COPYRIGHT OWNER OR CONTRIBUTORS BE LIABLE FOR ANY DIRECT, INDIRECT, INCIDENTAL, SPECIAL, EXEMPLARY, OR CONSEQUENTIAL DAMAGES (INCLUDING, BUT NOT LIMITED TO, PROCUREMENT OF SUBSTITUTE GOODS OR SERVICES; LOSS OF USE, DATA, OR PROFITS; OR BUSINESS INTERRUPTION) HOWEVER CAUSED AND ON ANY THEORY OF LIABILITY, WHETHER IN CONTRACT, STRICT LIABILITY, OR TORT (INCLUDING NEGLIGENCE OR OTHERWISE) ARISING IN ANY WAY OUT OF THE USE OF THIS SOFTWARE, EVEN IF ADVISED OF THE POSSIBILITY OF SUCH DAMAGE.

## Limited Warranty of Bosch Portable and Benchtop Power Tools ("Limited Warranty")

Robert Bosch Tool Corporation ("Bosch", "we" or "our") warrants to the original end-user purchaser only that each BOSCH®-branded portable and benchtop power tool and battery (each, a "Product") will be free from defects in material or workmanship for the period of time listed in the chart below for the "Product Category" applicable for such Product (as applicable, the "Warranty Period"):

Product Category	Warranty Period
18V Cordless Power Tools, 18V Benchtop Power Tools and 18V Chargers	Five (5) years from the date of purchase
18V Power Tool Batteries	Three (3) years from the date of purchase
12V Cordless Power Tools and 12V Chargers	One (1) year from the date of purchase
12V Power Tool Batteries	One (1) year from the date of purchase
Corded Portable Power Tools and Corded Benchtop Power Tools	One (1) year from the date of purchase

OUR SOLE OBLIGATION AND YOUR EXCLUSIVE REMEDY under this Limited Warranty and, to the extent permitted by law, under any warranty or condition implied by law, shall be the repair or replacement of parts, without charge, which are defective in material or workmanship and which have not been abused, misused, carelessly handled, or repaired by persons other than Bosch or a Bosch Authorized Service Center.

Normal wear and tear of your Product is not covered by this Limited Warranty. As a result, Product parts that may become worn or exhausted over time due to normal wear and tear (including, without limitation, air filters, blade clamps, brushes, bumpers, bumper cover washers, chucks, cords, driver belts, driver blades, isolators, lifters, o-rings, pistons, piston/driver assemblies, piston stops, saw shoes, seals, strikers, etc.), or any other service or repairs required due to normal wear and tear on a Product, are not covered by this Limited Warranty.

To make a claim under this Limited Warranty, you must return the complete Product, transportation prepaid, to any Bosch Factory Service Center or Bosch Authorized Service Center. Please include a dated proof of purchase with your Product so we can determine if your Product is within the Warranty Period. If you do not have the dated proof of purchase for the Product that is the subject of your claim, we will use the Product's production code to determine whether the Product is within the Warranty Period. For locations of nearby Bosch Factory Service Centers or Bosch Authorized Service Centers, please use our service locator at <https://www.boschtools.com/us/en/service/service-center-locator/>. For more information on Limited Warranty performance, please contact our customer service at 1-877-267-2499.

### THIS LIMITED WARRANTY DOES NOT APPLY TO BOSCH®-BRANDED:

- (i) MEASURING TOOLS,
- (ii) ACCESSORY ITEMS SUCH AS CIRCULAR SAW BLADES, DRILL BITS, ROUTER BITS, JIGSAW BLADES, SANDING BELTS, GRINDING WHEELS AND OTHER SIMILAR TYPES OF ITEMS; OR
- (iii) CARRYING CASES OR CARRYING BAGS.

ANY IMPLIED WARRANTIES FOR A PRODUCT SHALL BE LIMITED IN DURATION TO THE SHORTER OF (i) THE APPLICABLE WARRANTY PERIOD FOR SUCH PRODUCT/PRODUCT CATEGORY LISTED ABOVE, OR (ii) SUCH DURATION AS WOULD OTHERWISE APPLY UNDER APPLICABLE LAW IF THIS LIMITED WARRANTY WERE NOT OFFERED BY BOSCH. SOME STATES IN THE U.S., AND SOME CANADIAN PROVINCES, DO NOT ALLOW LIMITATIONS ON HOW LONG AN IMPLIED WARRANTY LASTS, SO THE ABOVE LIMITATION MAY NOT APPLY TO YOU.

IN NO EVENT SHALL BOSCH BE LIABLE FOR ANY INCIDENTAL OR CONSEQUENTIAL DAMAGES (INCLUDING BUT NOT LIMITED TO LIABILITY FOR LOSS OF PROFITS) ARISING FROM THE SALE OR USE OF THIS PRODUCT. SOME STATES IN THE U.S. AND SOME CANADIAN PROVINCES (INCLUDING, WITHOUT LIMITATION, QUEBEC) DO NOT ALLOW THE EXCLUSION OR LIMITATION OF INCIDENTAL OR CONSEQUENTIAL DAMAGES, SO THE ABOVE LIMITATION OR EXCLUSION MAY NOT APPLY TO YOU.

THIS LIMITED WARRANTY GIVES YOU SPECIFIC LEGAL RIGHTS, AND YOU MAY ALSO HAVE OTHER RIGHTS WHICH VARY FROM STATE TO STATE IN THE U.S., PROVINCE TO PROVINCE IN CANADA AND FROM COUNTRY TO COUNTRY.

THIS LIMITED WARRANTY APPLIES ONLY TO PRODUCTS SOLD WITHIN THE UNITED STATES OF AMERICA AND CANADA. FOR WARRANTY COVERAGE WITHIN OTHER COUNTRIES, CONTACT YOUR LOCAL BOSCH® BRAND TOOL DEALER OR IMPORTER.

V202211

## Garantía Limitada de herramientas eléctricas portátiles y de tablero de banco Bosch ("Garantía Limitada")

Robert Bosch Tool Corporation ("Bosch", "nosotros", "nuestro" o "nuestra") garantiza, únicamente al comprador usuario final original, que cada herramienta eléctrica portátil o de tablero de banco y cada batería de la marca BOSCH® (cada una de ellas, un "Producto") estará libre de defectos de material o de fabricación durante el periodo de tiempo indicado en el cuadro que aparece a continuación para la "Categoría de productos" aplicable a dicho Producto (según sea aplicable, el "Periodo de Garantía"):

Categoría de productos	Periodo de garantía
Herramientas eléctricas inalámbricas de 18 V, herramientas eléctricas de tablero de banco de 18 V y cargadores de 18 V	Cinco (5) años desde la fecha de compra
Baterías para herramientas eléctricas de 18 V	Tres (3) años desde la fecha de compra
Herramientas eléctricas inalámbricas de 12 V y cargadores de 12 V	Un (1) año desde la fecha de compra
Baterías para herramientas eléctricas de 12 V	Un (1) año desde la fecha de compra
Herramientas eléctricas portátiles alámbricas y herramientas eléctricas de banco alámbricas	Un (1) año desde la fecha de compra

NUESTRA ÚNICA OBLIGACIÓN Y EL REMEDIO EXCLUSIVO PARA USTED bajo esta Garantía Limitada y, en la medida en que la ley lo permita, bajo cualquier garantía o condición implícita por ley, será la reparación o el reemplazo de las piezas, sin cargo alguno, que presenten defectos de material o de fabricación y que no hayan sido sometidas a abuso ni utilizadas incorrectamente, manejadas descuidadamente o reparadas por personas que no sean Bosch o un Centro de Servicio Autorizado Bosch.

El desgaste de su Producto por el uso normal no está cubierto por esta Garantía Limitada. Como resultado de ello, las piezas de los Productos que se desgasten o se agoten con el paso del tiempo debido al desgaste por el uso normal (incluyendo, sin limitación, filtros de aire, abrazaderas para hojas, escobillas, amortiguadores, arandelas de cubiertas de amortiguadores, mandriles, cables de alimentación, correas de transmisión, hojas de impulsor, aisladores, elevadores, anillos tóricos, pistones, ensamblajes de pistón/impulsor, topes de pistón, zapatas de sierra, sellos, percutores, etc.), o cualquier otro servicio o reparación requeridos que se deban al desgaste por el uso normal de un Producto, no están cubiertos por esta Garantía Limitada.

Para presentar un reclamo bajo esta Garantía Limitada, usted debe devolver el Producto completo, con el transporte prepago, a cualquier Centro de Servicio de Fábrica Bosch o Centro de Servicio Autorizado Bosch. Por favor, incluya un comprobante de compra fechado con su Producto para que podamos determinar si su Producto está dentro del Periodo de Garantía. Si no tiene un comprobante fechado de la compra del Producto que sea el objeto de su reclamo, utilizaremos el código de producción del Producto para determinar si dicho Producto está dentro del Periodo de Garantía. Para obtener las ubicaciones de los Centros de Servicio de Fábrica Bosch o los Centros de Servicio Autorizado Bosch cercanos, sírvase usar nuestro localizador de servicio en <https://www.boschtools.com/us/en/service/service-center-locator/>. Para obtener más información sobre el funcionamiento de la Garantía Limitada, sírvase contactar a nuestro servicio al cliente llamando al 1-877-267-2499.

### ESTA GARANTÍA LIMITADA NO SE APLICA A LOS SIGUIENTES PRODUCTOS DE LA MARCA BOSCH®:

- (i) HERRAMIENTAS DE MEDICIÓN,

- (ii) (ARTÍCULOS ACCESORIOS TALES COMO HOJAS DE SIERRA CIRCULAR, BROCAS TALADRADORAS, BROCAS DE FRESADORA, HOJAS DE SIERRA CALADORA, CORREAS DE LIJAR, DISCOS DE AMOLAR Y OTROS TIPOS DE ARTÍCULOS SIMILARES;
- (iii) MALETINES DE TRANSPORTE O BOLSAS DE TRANSPORTE.

TODAS LAS GARANTÍAS IMPLÍCITAS DE UN PRODUCTO ESTARÁN LIMITADAS EN DURACIÓN A LO QUE SEA MÁS CORTO ENTRE (i) EL PERÍODO DE GARANTÍA APLICABLE PARA DICHO PRODUCTO O DICHA CATEGORÍA DE PRODUCTO, SEGÚN SE INDICA ANTERIORMENTE, O (ii) AQUELLA DURACIÓN QUE SE APLICARÍA DE OTRA MANERA BAJO LA LEY VIGENTE, SI ESTA GARANTÍA LIMITADA NO FUERA OFRECIDA POR BOSCH. ALGUNOS ESTADOS DE LOS EE.UU. Y ALGUNAS PROVINCIAS CANADIENSES NO PERMITEN LIMITACIONES EN CUANTO A LA DURACIÓN DE UNA GARANTÍA IMPLÍCITA, POR LO QUE ES POSIBLE QUE LA LIMITACIÓN QUE ANTECEDE NO TENGA APLICACIÓN EN EL CASO DE USTED.

BOSCH NO SERÁ RESPONSABLE EN NINGÚN CASO POR DAÑOS INCIDENTALES O EMERGENTES (INCLUYENDO PERO SIN ESTAR LIMITADOS A RESPONSABILIDAD POR PÉRDIDA DE UTILIDADES) QUE SURJAN DE LA VENTA O DEL USO DE ESTE PRODUCTO. ALGUNOS ESTADOS DE LOS EE.UU. Y ALGUNAS PROVINCIAS CANADIENSES (INCLUYENDO, SIN LIMITACIÓN, QUEBEC) NO PERMITEN LA EXCLUSIÓN O LIMITACIÓN DE LOS DAÑOS INCIDENTALES O EMERGENTES, POR LO QUE ES POSIBLE QUE LA LIMITACIÓN QUE ANTECEDE NO TENGA APLICACIÓN EN EL CASO DE USTED.

ESTA GARANTÍA LIMITADA LE CONFIERE A USTED DERECHOS LEGALES ESPECÍFICOS Y ES POSIBLE QUE USTED TENGA TAMBIÉN OTROS DERECHOS QUE VARIAN DE UN ESTADO A OTRO EN LOS EE.UU., DE UNA PROVINCIA A OTRA EN CANADÁ Y DE UN PAÍS A OTRO.

ESTA GARANTÍA LIMITADA SE APLICA SOLO A LOS PRODUCTOS VENDIDOS DENTRO DE LOS ESTADOS UNIDOS DE AMÉRICA Y CANADÁ. PARA OBTENER COBERTURA DE GARANTÍA EN OTROS PAÍSES, CONTACTE A SU DISTRIBUIDOR O IMPORTADOR LOCAL DE PRODUCTOS DE LA MARCA BOSCH®.

V202211

### Garantie limitée des outils électriques portatifs et de table Bosch (« Garantie limitée »)

Robert Bosch Tool Corporation (« Bosch », « nous » ou « notre ») garantit à l'acheteur utilisateur final original uniquement que chaque outil électrique portable et de table ainsi que chaque pile (chacun, un « Produit ») de marque BOSCH® sera exempt de défauts de matériaux ou de fabrication pendant la période indiquée dans le tableau ci-dessous pour la « Catégorie de produits » applicable à ce Produit (selon le cas, la « Période de garantie ») :

Catégorie de produits	Période de garantie
Outils électriques sans fil de 18 V, outils électriques de table de 18 V et chargeurs de 18 V	Cinq (5) ans à compter de la date d'achat
Piles pour outils électriques de 18 V	Trois (3) ans à compter de la date d'achat
Outils électriques sans fil de 12 V et chargeurs de 12 V	Un (1) an à compter de la date d'achat
Piles pour outils électriques de 12 V	Un (1) an à compter de la date d'achat
Outils électriques portatifs à cordon d'alimentation et outils électriques de table à cordon d'alimentation	Un (1) an à compter de la date d'achat

NOTRE SEULE OBLIGATION ET VOTRE SEUL REMÈDE en vertu de cette Garantie limitée et, dans la mesure où la loi le permet, de toute autre garantie ou condition légalement implicite, sera la réparation ou le remplacement à titre gratuit des pièces qui seront jugées défectueuses pour cause de vice de matériel ou de fabrication et qui n'auront pas été utilisées de façon abusive ou inappropriée, manipulées sans précautions ou réparées incorrectement par des personnes autres que des employés de Bosch ou d'un Centre de service après-vente agréé par Bosch.

L'usure normale de votre Produit n'est pas couverte par la présente Garantie limitée. Par conséquent, les pièces du Produit qui peuvent s'user ou s'épuiser avec le temps en raison d'une usure normale (y compris, sans s'y limiter, les filtres à air, les pinces de lame, les brosses, les pare-chocs, les rondelles de protection des pare-chocs, les mandrins, les cordons, les courroies d'entraînement, les lames d'entraînement, les isolateurs, les élévateurs, les joints toriques, les pistons, les ensembles piston/entraîneur, les butées de piston, les sabots de scie, les joints, les perceurs, etc.), ou tout autre service ou réparation requis en raison de l'usure normale d'un Produit, ne bénéficient pas de la couverture de la présente Garantie limitée.

Pour vous prévaloir de la présente Garantie limitée, vous devez retourner le Produit complet, en port payé, à un centre de service usine Bosch ou à un centre de service après-vente agréé par Bosch. Veuillez inclure un justificatif d'achat daté avec votre Produit afin que nous puissions déterminer si votre Produit est toujours dans la période de garantie. Si vous ne disposez pas d'un justificatif d'achat daté pour le Produit faisant l'objet de votre réclamation, nous utiliserons le code de fabrication du Produit pour déterminer si le Produit est toujours dans la période de garantie. Pour connaître l'emplacement des centres de service usine Bosch ou des centres de service après-vente agréés par Bosch les plus proches, veuillez utiliser notre localisateur de services à l'adresse suivante : <https://www.boschtools.com/us/en/service/service-center-locator/>. Pour plus d'informations sur la performance de la Garantie limitée, veuillez contacter notre service clientèle au 1-877-267-2499.

#### CETTE GARANTIE LIMITÉE NE S'APPLIQUE PAS AUX PRODUITS DE LA MARQUE BOSCH® SUIVANTS :

- (i) OUTILS DE MESURE.
- (ii) ARTICLES ACCESSOIRES TELS QUE DES LAMES DE SCIE CIRCULAIRE, DES MÊCHES DE PERÇAGE, DES FRAISES À DÉFONCER, DES LAMES DE SCIE SAUTEUSE, DES BANDES ABRASIVES, DES MEULES ET D'AUTRES TYPES D'ARTICLES SIMILAIRES ; OU
- (iii) DES MALETTES OU DES SACS DE TRANSPORT.

TOUTE GARANTIE IMPLÍCITE POUR UN PRODUIT SERA LIMITÉE À LA DURÉE LA PLUS COURTE ENTRE (i) LA PÉRIODE DE GARANTIE APLICABLE POUR CE PRODUIT/CETTE CATÉGORIE DE PRODUITS ÉNUMÉRÉS CI-DESSUS, OU (ii) LA DURÉE QUI SERAIT AUTREMENT APLICABLE EN VERTU DE LA LOI APLICABLE SI LA PRÉSENTE GARANTIE LIMITÉE N'ÉTAIT PAS OFFERTE PAR BOSCH. COMME CERTAINS ÉTATS AUX ÉTATS-UNIS ET CERTAINES PROVINCES AU CANADA NE PERMETTENT PAS DE LIMITATIONS SUR LA DURÉE D'UNE GARANTIE IMPLÍCITE, LA LIMITATION CI-DESSUS NE S'APPLIQUE PEUT-ÊTRE PAS À VOUS.

BOSCH NE SERA EN AUCUN CAS RESPONSABLE POUR TOUTS DOMMAGES INDIRECTES OU SECONDAIRES (Y COMPRIS, MAIS SANS LIMITATION, LA RESPONSABILITÉ AU TITRE DE LA PERTE DE BÉNÉFICES) RESULTANT DE LA VENTE OU DE L'EMPLOI DE CE PRODUIT. COMME CERTAINS ÉTATS AUX ÉTATS-UNIS ET CERTAINES PROVINCES AU CANADA (Y COMPRIS, ENTRE AUTRES, LA PROVINCE DU QUÉBEC) NE PERMETTENT PAS L'EXCLUSION OU LA LIMITATION DE LA RESPONSABILITÉ POUR LES DOMMAGES INDIRECTES OU SECONDAIRES, LA LIMITATION OU L'EXCLUSION CI-DESSUS NE S'APPLIQUE PEUT-ÊTRE PAS À VOUS.

CETTE GARANTIE LIMITÉE VOUS CONFÈRE DES GARANTIES JURIDIQUES PARTICULIÈRES, ET VOUS POUVEZ AUSSI AVOIR D'AUTRES DROITS, QUI VARIENT D'UN ÉTAT À L'AUTRE AUX ÉTATS-UNIS, D'UNE PROVINCE À L'AUTRE AU CANADA OU D'UN PAYS À L'AUTRE.

CETTE GARANTIE LIMITÉE NE S'APPLIQUE QU'ÀUX PRODUITS VENDUS AUX ÉTATS-UNIS D'AMÉRIQUE ET AU CANADA. CONTACTEZ VOTRE DISTRIBUTEUR OU IMPORTATEUR LOCAL D'OUTILS DE LA MARQUE BOSCH® POUR OBTENIR DES INFORMATIONS SUR LA COUVERTURE DE LA GARANTIE DANS LES AUTRES PAYS.

V202211



# BOSCH

© Robert Bosch Tool Corporation  
1800 W. Central Road  
Mt. Prospect, IL 60056-2230  
160992A831 01/2023



1 6 0 9 9 2 A 8 3 1