

IMPORTANT
Read Before Using

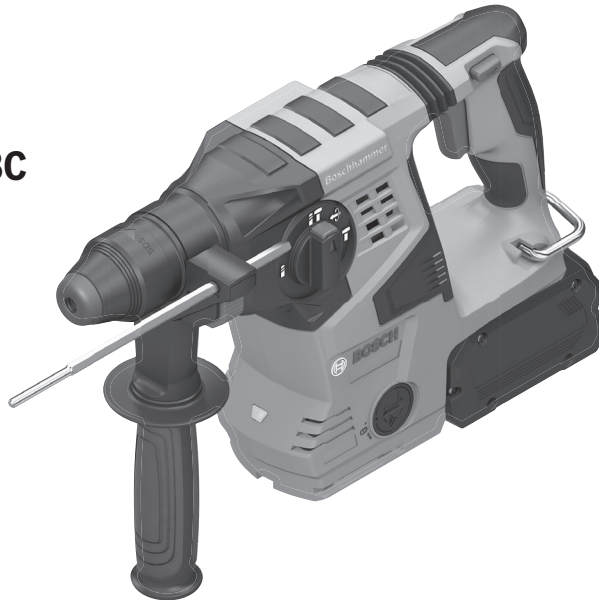
IMPORTANT
Lire avant usage

IMPORTANTE
Leer antes de usar



Operating / Safety Instructions
Consignes d'utilisation / de sécurité
Instrucciones de funcionamiento y seguridad

GBH18V-28C



BOSCH

Call Toll Free for Consumer Information & Service Locations

Pour obtenir des informations et les adresses de nos centres de service après-vente, appelez ce numéro gratuit

Llame gratis para obtener información para el consumidor y ubicaciones de servicio

1-877-BOSCH99 (1-877-267-2499) www.boschtools.com





For English Version
See page 2

Version française
Voir page 24

Versión en español
Ver la página 46

Safety Symbols

The definitions below describe the level of severity for each signal word.
Please read the manual and pay attention to these symbols.

	This is the safety alert symbol. It is used to alert you to potential personal injury hazards. Obey all safety messages that follow this symbol to avoid possible injury or death.
	DANGER indicates a hazardous situation which, if not avoided, will result in death or serious injury.
	WARNING indicates a hazardous situation which, if not avoided, could result in death or serious injury.
	CAUTION indicates a hazardous situation which, if not avoided, could result in minor or moderate injury.

General Power Tool Safety Warnings

WARNING Read all safety warnings, instructions, illustrations and specifications provided with this power tool. Failure to follow all instructions listed below may result in electric shock, fire and/or serious injury.

SAVE ALL WARNINGS AND INSTRUCTIONS FOR FUTURE REFERENCE

The term “power tool” in the warnings refers to your mains-operated (corded) power tool or battery-operated (cordless) power tool.

1. Work area safety

- Keep work area clean and well lit.** Cluttered or dark areas invite accidents.
- Do not operate power tools in explosive atmospheres, such as in the presence of flammable liquids, gases or dust.** Power tools create sparks which may ignite the dust or fumes.
- Keep children and bystanders away while operating a power tool.** Distractions can cause you to lose control.

2. Electrical safety

- Power tool plugs must match the outlet. Never modify the plug in any way. Do not use any adapter plugs with earthed (grounded) power tools.** Unmodified plugs and matching outlets will reduce risk of electric shock.
- Avoid body contact with earthed or grounded surfaces, such as pipes, radiators, ranges and refrigerators.** There is an increased risk of electric shock if your body is earthed or grounded.
- Do not expose power tools to rain or wet conditions.** Water entering a power tool will increase the risk of electric shock.

- Do not abuse the cord. Never use the cord for carrying, pulling or unplugging the power tool. Keep cord away from heat, oil, sharp edges or moving parts.** Damaged or entangled cords increase the risk of electric shock.
- When operating a power tool outdoors, use an extension cord suitable for outdoor use.** Use of a cord suitable for outdoor use reduces the risk of electric shock.
- If operating a power tool in a damp location is unavoidable, use a Ground Fault Circuit Interrupter (GFCI) protected supply.** Use of an GFCI reduces the risk of electric shock.

3. Personal safety

- Stay alert, watch what you are doing and use common sense when operating a power tool. Do not use a power tool while you are tired or under the influence of drugs, alcohol or medication.** A moment of inattention while operating power tools may result in serious personal injury.
- Use personal protective equipment. Always wear eye protection.** Protective equipment such as a dust mask, non-skid safety shoes, hard hat, or hearing protection used for appropriate conditions will reduce personal injuries.

General Power Tool Safety Warnings

- c. **Prevent unintentional starting. Ensure the switch is in the off-position before connecting to power source and / or battery pack, picking up or carrying the tool.** Carrying power tools with your finger on the switch or energizing power tools that have the switch on invites accidents.
- d. **Remove any adjusting key or wrench before turning the power tool on.** A wrench or a key left attached to a rotating part of the power tool may result in personal injury.
- e. **Do not overreach. Keep proper footing and balance at all times.** This enables better control of the power tool in unexpected situations.
- f. **Dress properly. Do not wear loose clothing or jewelry. Keep your hair and clothing away from moving parts.** Loose clothes, jewelry or long hair can be caught in moving parts.
- g. **If devices are provided for the connection of dust extraction and collection facilities, ensure these are connected and properly used.** Use of dust collection can reduce dust-related hazards.
- h. **Do not let familiarity gained from frequent use of tools allow you to become complacent and ignore tool safety principles.** A careless action can cause severe injury within a fraction of a second.
- e. **Maintain power tools and accessories. Check for misalignment or binding of moving parts, breakage of parts and any other condition that may affect the power tool's operation. If damaged, have the power tool repaired before use.** Many accidents are caused by poorly maintained power tools.
- f. **Keep cutting tools sharp and clean.** Properly maintained cutting tools with sharp cutting edges are less likely to bind and are easier to control.
- g. **Use the power tool, accessories and tool bits etc. in accordance with these instructions, taking into account the working conditions and the work to be performed.** Use of the power tool for operations different from those intended could result in a hazardous situation.
- h. **Keep handles and grasping surfaces dry, clean and free from oil and grease.** Slippery handles and grasping surfaces do not allow for safe handling and control of the tool in unexpected situations.

4. Power tool use and care

- a. **Do not force the power tool. Use the correct power tool for your application.** The correct power tool will do the job better and safer at the rate for which it was designed.
- b. **Do not use the power tool if the switch does not turn it on and off.** Any power tool that cannot be controlled with the switch is dangerous and must be repaired.
- c. **Disconnect the plug from the power source and/or remove the battery pack, if detachable, from the power tool before making any adjustments, changing accessories, or storing power tools.** Such preventive safety measures reduce the risk of starting the power tool accidentally.
- d. **Store idle power tools out of the reach of children and do not allow persons unfamiliar with the power tool or these instructions to operate the power tool.** Power tools are dangerous in the hands of untrained users.
- a. **Recharge only with the charger specified by the manufacturer.** A charger that is suitable for one type of battery pack may create a risk of fire when used with another battery pack.
- b. **Use power tools only with specifically designated battery packs.** Use of any other battery packs may create a risk of injury and fire.
- c. **When battery pack is not in use, keep it away from other metal objects like paper clips, coins, keys, nails, screws, or other small metal objects that can make a connection from one terminal to another.** Shorting the battery terminals together may cause burns or a fire.
- d. **Under abusive conditions, liquid may be ejected from the battery; avoid contact. If contact accidentally occurs, flush with water. If liquid contacts eyes, additionally seek medical help.** Liquid ejected from the battery may cause irritation or burns.
- e. **Do not use a battery pack or tool that is damaged or modified.** Damaged or modified batteries may exhibit unpredictable behaviour resulting in fire, explosion or risk of injury.
- f. **Do not expose a battery pack or tool to fire or excessive temperature.** Exposure to fire or

General Power Tool Safety Warnings

temperature above 265 °F may cause explosion.

- g. **Follow all charging instructions and do not charge the battery pack or tool outside the temperature range specified in the instructions.** Charging improperly or at temperatures outside the specified range may damage the battery and increase the risk of fire.

Hammer Safety Warnings

1. Safety instructions for all operations

- a. **Wear ear protectors.** Exposure to noise can cause hearing loss.
- b. **Use auxiliary handle(s), if supplied with the tool.** Loss of control can cause personal injury.
- c. **Brace the tool properly before use.** This tool produces a high output torque and without properly bracing the tool during operation, loss of control may occur resulting in personal injury.
- d. **Hold power tool by insulated gripping surfaces, when performing an operation where the cutting accessory may contact hidden wiring.** Cutting accessory contacting a “live” wire may make exposed metal parts of the power tool “live” and could give the operator an electric shock.
- e. **Do not drill, fasten or break into existing walls or other blind areas where electrical wiring may exist.** If this situation is unavoidable, disconnect all fuses or circuit breakers feeding this worksite.
- f. **Always wear safety goggles or eye protection when using this tool. Use a dust mask or respirator for applications which generate dust.**
- g. **Use a metal detector to determine if there are gas or water pipes hidden in the work area or call the local utility company for assistance before beginning the operation.** Striking or cutting into a gas line will result in explosion. Water entering an electrical device may cause electrocution.

6. Service

- a. **Have your power tool serviced by a qualified repair person using only identical replacement parts.** This will ensure that the safety of the power tool is maintained.
- b. **Never service damaged battery packs.** Service of battery packs should only be performed by the manufacturer or authorized service providers.
- h. **Always use the side handle for maximum control over torque reaction or kick-back. Never attempt to operate this tool with one hand.** The slip clutch engages if you firmly control the tool during a torque reaction or kickback.
- i. **Use thick cushioned gloves and limit the exposure time by taking frequent rest periods.** Vibration caused by hammer-drill action may be harmful to your hands and arms.
- j. **Secure the material being drilled. Never hold it in your hand or across legs.** Unstable support can cause the drill bit to bind causing loss of control and injury.
- k. **Disconnect battery pack from tool before making any assembly, adjustments or changing accessories.** Such preventive safety measures reduce the risk of starting the tool accidentally.
- l. **Position yourself to avoid being caught between the tool or side handle and walls or posts.** Should the bit become bound or jammed in the work, the reaction torque of the tool could crush your hand or leg.
- m. **If the bit becomes bound in the workpiece, release the trigger immediately, reverse the direction of rotation and slowly squeeze the trigger to back out the bit.** Be ready for a strong reaction torque. The drill body will tend to twist in the opposite direction as the drill bit is rotating.
- n. **Do not strike the bit with a handheld hammer or sledgehammer when attempting to dislodge a bound or jammed bit.** Fragments of metal from the bit could dislodge and strike you or bystanders.

Hammer Safety Warnings

- o. **Never place the tool down until the bit or accessory has come to a complete stop.**
- p. **Do not grasp the tool or place your hands too close to the spinning chuck or drill bit.** Your hand may be lacerated.
- q. **When installing a drill bit, insert the shank of the bit well within the jaws of the chuck.** If the bit is not inserted deep enough, the grip of the jaws over the bit is reduced and the loss of control is increased.
- r. **Do not use dull or damaged bits and accessories.** Dull or damaged bits have a greater tendency to bind in the workpiece.
- s. **When removing the bit from the tool avoid contact with skin and use proper protective gloves when grasping the bit or accessory.** Accessories may be hot after prolonged use.
- t. **Check to see that keys and adjusting wrenches are removed from the drill before switching the tool "ON".** Keys or wrenches can fly away at high velocity striking you or a bystander.
- u. **Do not run the tool while carrying it at your side.** A spinning drill bit could become entangled with clothing and injury may result.
- v. **If devices are provided for the connection of dust collection and extraction systems, empty the dust container before beginning work, frequently during work, after completion of work, and before storing the tool.** Be extremely careful of dust disposal, materials in fine particles form may be explosive.
- w. **Do not throw dust on an open fire.** Combustion from mixture of varnishes, lacquers, polyurethane, oil or water with dust particles can occur if there is a static discharge, electric spark, or excessive heat.
- x. **Do not use dust extraction for operations where dust may include burning, smoking or smoldering items like hot ashes or sparks.** Fire inside the vacuum tank or bag may occur. Dust may smolder and set vacuum on fire long after work is completed.
- y. **Do not use dust extraction with explosive dusts, varnish, polyurethane coatings, cleaners, or oil-based paints.** Electric motors create sparks which may ignite the dust or fumes.
- z. **Do not use dust extraction when working on metal.** Swarf from drilling metal may be hot and may spark which may melt plastic adaptors, vacuum hoses and may cause a fire inside the vacuum tank or bag.
 - aa. **Do not drill into metal with the dust extraction system mounted.** Hot metal chips can self-ignite or ignite parts of the dust extraction system.
 - ab. **Do not drill into wood with dust extraction system mounted.** Wood chips are typically too large and will clog the dust channel.
 - ac. **Your tool is equipped with a dust canister, empty it frequently, after completion of drilling and before storing the tool.** Be extremely careful of dust disposal, materials in fine particle form may be explosive.
 - ad. **Note: Do not use the dust extraction system when chiselling, screwdriving or cutting threads.**

2. Safety instructions when using long drill bits with rotary hammers

- a. **Always start drilling at low speed and with the bit tip in contact with the workpiece.** At higher speeds, the bit is likely to bend if allowed to rotate freely without contacting the workpiece, resulting in personal injury.
- b. **Apply pressure only in direct line with the bit and do not apply excessive pressure.** Bits can bend causing breakage or loss of control, resulting in personal injury.
- c. **Never operate at higher speed than the maximum speed rating of the drill bit.** At higher speeds, the bit is likely to bend if allowed to rotate freely without contacting the workpiece, resulting in personal injury.
- d. **Use clamps or another practical way to secure and support the workpiece to a stable platform.** Holding the work by hand or against your body leaves it unstable and may lead to loss of control.

Additional Safety Warnings

GFCI and personal protection devices like electrician's rubber gloves and footwear will further enhance your personal safety.

Do not use AC only rated tools with a DC power supply. While the tool may appear to work, the electrical components of the AC rated tool are likely to fail and create a hazard to the operator.

Keep handles dry, clean and free from oil and grease. Slippery hands cannot safely control the power tool.

Develop a periodic maintenance schedule for your tool. When cleaning a tool be careful not to disassemble any portion of the tool since internal wires may be misplaced or pinched or safety guard return springs may be improperly mounted. Certain cleaning agents such as gasoline, carbon tetrachloride, ammonia, etc. may damage plastic parts.

Ensure the switch is in the off position before inserting battery pack. Inserting the battery pack into power tools that have the switch on invites accidents.

⚠ WARNING Some dust created by power sanding, sawing, grinding, drilling, and other construction activities contains chemicals known to cause cancer, birth defects or other reproductive harm. Some examples of these chemicals are:

- Lead from lead-based paints,
- Crystalline silica from bricks and cement and other masonry products, and
- Arsenic and chromium from chemically-treated lumber.

Your risk from these exposures varies, depending on how often you do this type of work. To reduce your exposure to these chemicals: work in a well ventilated area, and work with approved safety equipment, such as those dust masks that are specially designed to filter out microscopic particles.

FCC Caution

The manufacturer is not responsible for radio interference caused by unauthorized modifications to this equipment. Such modifications could void the user's authority to operate the equipment.

This device complies with Part 15 of the FCC Rules. Operation is subject to the following two conditions:

- 1) This device may not cause harmful interference, and
- 2) This device must accept any interference received, including interference that may cause undesired operation.

NOTE! This equipment has been tested and found to comply with the limits for a Class B digital devices, pursuant to Part 15 of the FCC rules. These limits are designed to provide reasonable protection against harmful interference in a residential installation. This equipment generates, uses and can radiate radio frequency energy and, if not installed and used in accordance with the instructions, may cause harmful interference to radio communications. However, there is no guarantee that interference will not

occur in a particular installation. If this equipment does cause harmful interference to radio or television reception, which can be determined by turning the equipment off and on, the user is encouraged to try to correct the interference by one or more of the following measures:

- Reorient or relocate the receiving antenna.
- Increase the separation between the equipment and receiver.
- Connect the equipment into an outlet on a circuit different from that to which the receiver is connected.
- Consult the dealer or an experienced radio/TV technician for help.

“Exposure to Radio Frequency (RF) Signals: The wireless device is a radio transmitter and receiver. It is designed and manufactured not to exceed the emission limit for exposure to radio frequency (RF) energy set by the Ministry of Health (Canada), Safety Code 6. These limits are part of comprehensive guidelines and established permitted levels of RF energy for the general population.

FCC Caution

These guidelines are based on the safety standards previously set by international standard bodies. These standards include a substantial safety margin designed to assure the safety of all persons, regardless of age and health.

This device and its antenna must not be co-located or operating in conjunction with any other antenna or transmitter.

ISED Canada

This device complies with Industry Canada licence-exempt RSS standard(s). Operation is subject to the following two conditions:

(1) this device may not cause interference, and

(2) this device must accept any interference, including interference that may cause undesired operation of the device.

Specifications

Model Number	GBH18V-28C
Voltage rating	18 V
Shank style	SDS-plus®
Maximum Drilling Diameter in: Concrete Steel	1-1/8" (28mm) 1/2" (13mm)
Permitted battery temperature during charging	+32...+113°F (0...+45°C)
Permitted ambient temperature during operation and storage	+5...+122°F (-15...+50°C)
Recommended ambient temperature during charging	+32...+95°F (0...+35°C)

Battery Packs / Chargers:

Please refer to the battery/charger list, included with your tool.

NOTE: For tool specifications refer to the nameplate on your tool.






Intended Use

The power tool is intended for hammer drilling in concrete, brick and stone, as well as for light chiselling work. It is also suitable for drilling without impact in wood, metal, ceramic and plastic. Power tools with electronic control and right/left rotation are also suitable for screwdriving.

With the Bluetooth® Low Energy Module GCY 42 inserted, power tool data and settings can be transferred between the power tool and a mobile device by means of Bluetooth® wireless technology.

Symbols

Important: Some of the following symbols may be used on your tool. Please study them and learn their meaning. Proper interpretation of these symbols will allow you to operate the tool better and safer.

Symbol	Designation/Explanation
V	Volts (voltage)
A	Amperes (current)
Hz	Hertz (frequency, cycles per second)
W	Watt (power)
kg	Kilograms (weight)
min	Minutes (time)
s	Seconds (time)
∅	Diameter (size of drill bits, grinding wheels, etc.)
n_0	No load speed (rotational speed, at no load)
n	Rated speed (Maximum attainable speed)
.../min	Revolutions or reciprocation per minute (revolutions, strokes, surface speed, orbits etc. per minute)
0	Off position (zero speed, zero torque...)
1, 2, 3, ... I, II, III,	Selector settings (speed, torque or position settings. Higher number means greater speed)
0 	Infinitely variable selector with off (speed is increasing from 0 setting)
	Arrow (action in the direction of arrow)
~	Type or a characteristic of current
==	Type or a characteristic of current
	Type or a characteristic of current
	Designates Double Insulated Construction tools
	Grounding terminal

Symbols

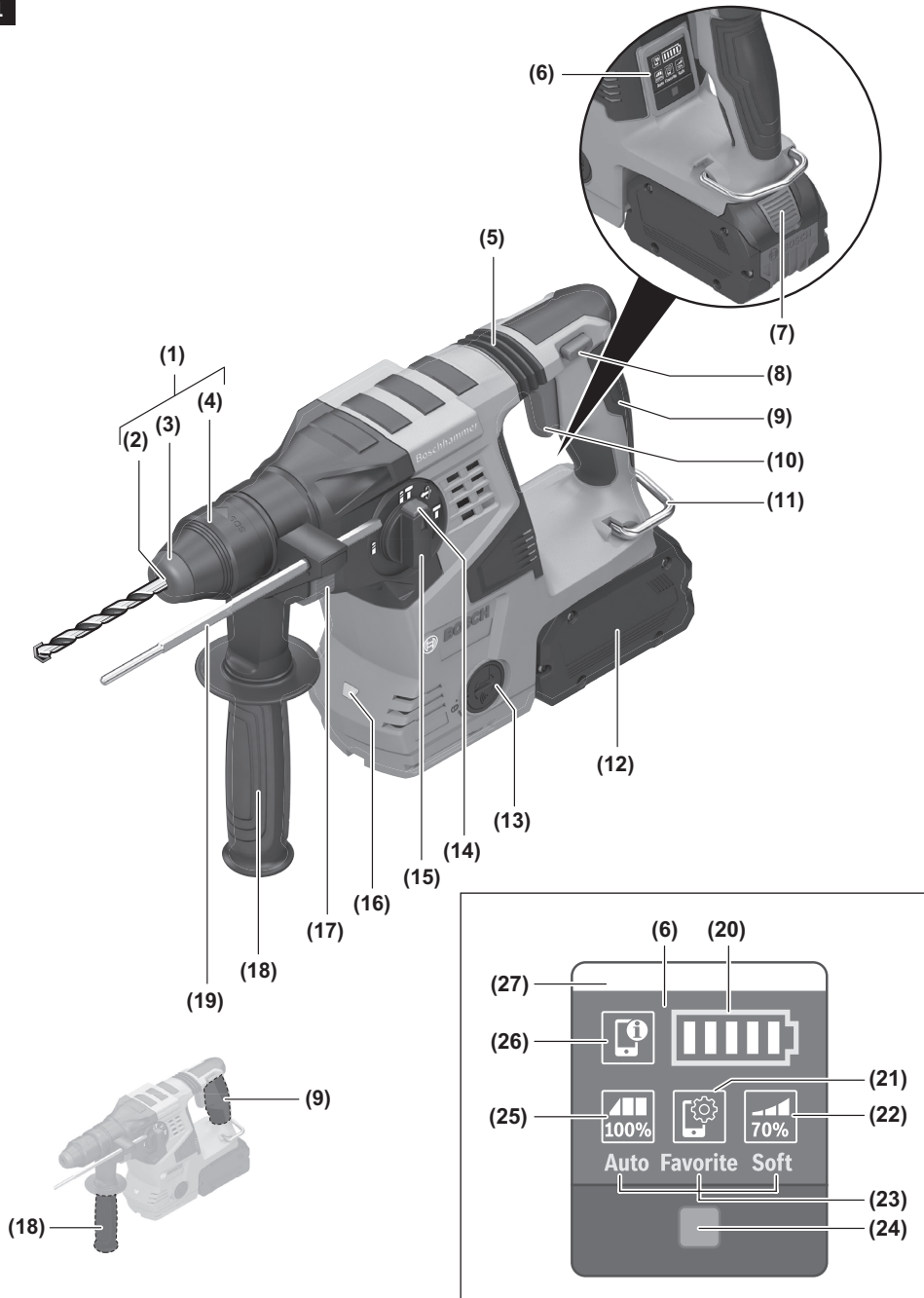
Important: Some of the following symbols may be used on your tool. Please study them and learn their meaning. Proper interpretation of these symbols will allow you to operate the tool better and safer.

Symbol	Designation/Explanation
	Alerts user to read manual.
	Alerts user to wear eye protection.
	Alerts user to wear respiratory protection.
	Alerts user to wear hearing protection.
	Alerts user to wear eye, respiratory, and hearing protection.
	This symbol designates that this tool is listed by Underwriters Laboratories, to United States and Canadian Standards.
	This symbol designates that this tool is listed by the Canadian Standards Association.
	This symbol designates that this tool is listed by the Canadian Standards Association, to United States and Canadian Standards.
	This symbol designates that this tool is listed by the Intertek Testing Services, to United States and Canadian Standards.
	Designates Li-ion battery recycling program.

Getting to Know Your Product

Bosch GBH18V-28C Cordless Hammer Drill

Fig. 1



Getting to Know Your Product

- 1 SDS plus quick-change chuck
- 2 SDS plus tool holder
- 3 Dust protection cap
- 4 Locking sleeve
- 5 Vibration damping
- 6 User Interface
- 7 Battery pack release button
- 8 Forward/reversing lever and trigger lock
- 9 Handle (insulated gripping surface)
- 10 On/off switch
- 11 Utility hook
- 12 Battery pack
- 13 Bluetooth cover
- 14 Release button for impact/mode selector switch
- 15 Impact/mode selector switch
- 16 Worklight
- 17 Button for depth stop adjustment
- 18 Auxiliary handle (insulated gripping surface)
- 19 Depth stop

User Interface

- 20 Battery charge indicator
- 21 Speed configuration via smartphone app
- 22 Reduced performance indicator
- 23 Working modes indicator
- 24 Button to select the working mode
- 25 Maximum performance indicator
- 26 Smartphone symbol
- 27 Power tool status indicator

Assembly

⚠ WARNING Disconnect battery pack from tool or place the switch in the locked or off position before making any assembly, adjustments or changing accessories. Such preventive safety measures reduce the risk of starting the tool accidentally.

Inserting and Removing Battery Pack

⚠ WARNING Use only Bosch or AMPShare batteries recommended in the battery/charger list, included with your tool. Use of any other types of batteries may result in personal injury or property damage.

⚠ WARNING Ensure the switch is in the off position before inserting battery pack. Inserting the battery pack into power tools that have the switch ON invites accidents.

(Fig. 1)

To insert the battery pack:

1. Set forward/reversing lever and trigger lock **8** to the locked position.

2. Slide charged Battery Pack **12** into the housing until the battery pack locks into position.

Your tool is equipped with a secondary locking latch to prevent the battery pack from completely falling out of the handle, should it become loose due to vibration.

To remove the battery pack:

1. Press the Battery Pack Release Button **7** and slide the Battery Pack **12** from the housing.
2. Press the Battery Pack Release Button **7** again and slide the Battery Pack **12** completely out of tool housing.

Assembly

Installing SDS-plus® Accessories

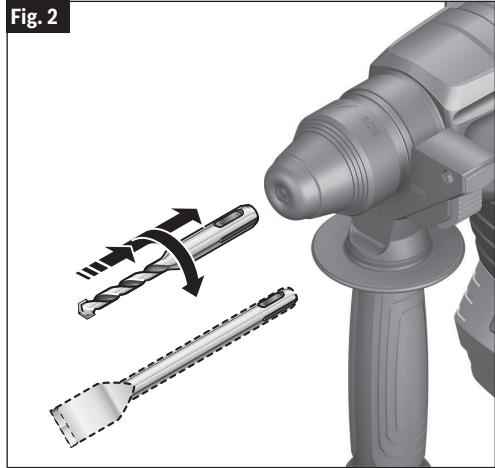
(Fig. 2)

Clean the insert shank end of the accessory to remove any debris, then lightly grease with a light oil or lubricant.

Insert accessory into the chuck through the dust shield, while twisting and pushing inward until it locks automatically into place. Pull outward on the accessory to be certain it is locked into the chuck.

Note: The high efficiency available from the rotary hammers can only be obtained if sharp and undamaged accessories are used. The “cost” to maintain sharp and undamaged accessories is more than offset by the “time saved” in operating the tool with sharp accessories.

Fig. 2



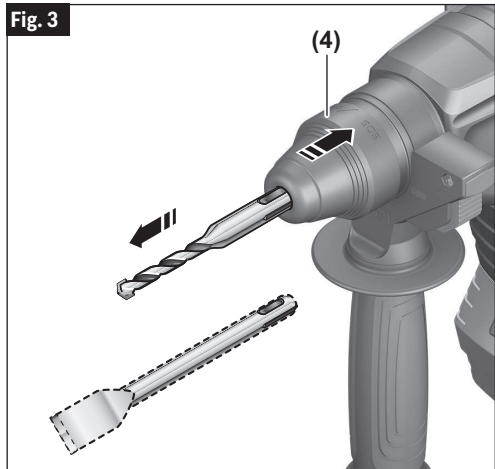
Removing SDS-plus® Accessories

⚠ WARNING Accessories may be hot after use. Avoid contact with skin and use proper protective gloves or cloth to remove.

(Fig. 3)

To remove an accessory, pull locking sleeve 4 backward and pull bit forward. All accessories should be wiped clean after removing.

Fig. 3



Assembly

Installing & Removing 3-Jaw Chuck (Not included, available as accessory)

(Fig. 4)

The 3 Jaw Chuck with SDS Shank can convert your tool for use with straight shank bits.

Clean the insert shank end of the accessory to remove any debris, then lightly grease with a light oil or lubricant

Insert accessory into the chuck through the dust shield, while twisting and pushing inward until it locks automatically into place. Pull outward on the accessory to be certain it is locked into the chuck (Fig. 4).

To remove the chuck, pull the locking sleeve backward (towards the rear of tool), while pulling the chuck forward.

A keyless version of the 3 Jaw Chuck is available for purchase. Please see Boschtools.com for details.

Fig. 4

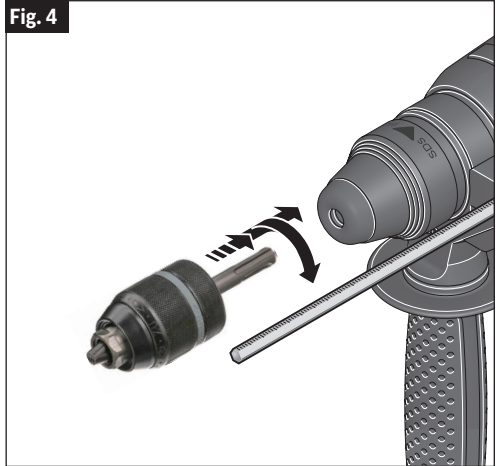


Fig. 5

Installing & Removing Accessories 3-Jaw Chuck

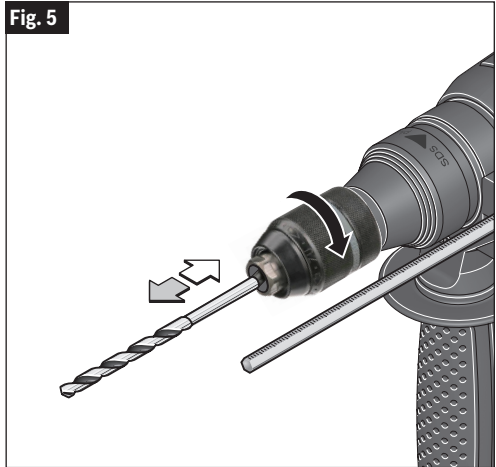
(Fig. 5)

For small bits, open jaws enough to insert the bit up to the flutes. For large bits, insert the bit as far as it will go. Center the bit as you close the jaws by hand. This positions the bit properly, giving maximum contact between the chuck jaws and the bit shank.

Hold the drill and turn the chuck clockwise to tighten. Hand crank the chuck tighter until you feel it ratchet down.

To remove bit, hold the drill and turn the chuck counterclockwise to loosen.

Note: The 3-Jaw Chuck is for use only in “Drill only” mode. The 3-Jaw Chuck is not for use when drilling with hammering action.



Assembly

Auxiliary Handle

(Fig. 6)

The tool must be supported with the auxiliary handle **18**, which can be swiveled 360°.

To reposition and/or swivel the handle, loosen the hand grip, move the handle to the desired position along the barrel and securely retighten the hand grip.

Depth Gauge

(Fig. 7)

Your drilling depth can be pre-set and/or repeated by using the depth gauge.

Setting depth: After the auxiliary handle is installed, make sure the accessory has been fully inserted into the tool holder **2** before setting the depth gauge **19**.

To adjust depth, push the depth gauge release button **17**, slide the depth gauge **19** to desired depth and release pressure on button to lock the depth gauge in place.

Inserting the Bluetooth® Low Energy Module GCY 42 (Accessory)

Read the corresponding operating instructions for information about the Bluetooth® Low Energy Module GCY 42.

Fig. 6

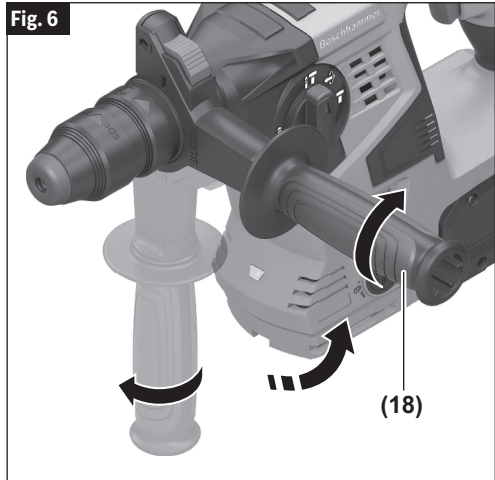
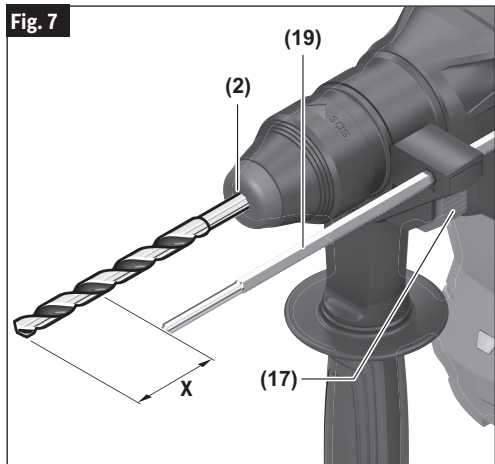


Fig. 7



Assembly

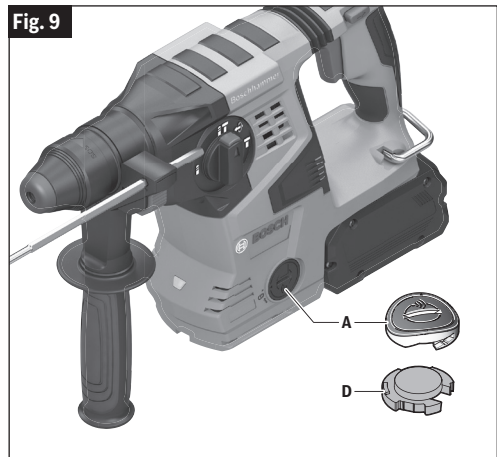
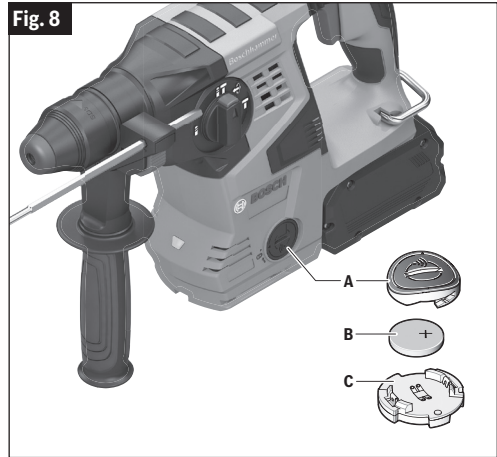
Connectivity Module Installation (sold separately)

⚠ WARNING To reduce the risk of injury read the operating instructions included with Bosch connectivity module. Operating instructions for connectivity module include important information not covered in this manual.

(Fig. 8, 9)

If connectivity module is not purchased with the tool, or if the replacement of the module or the battery becomes necessary, please follow this procedure (See Fig. 8):

- Using a flat screwdriver or a coin, remove the cover **A** from the side of the handle, by turning it 1/8 turn counter-clockwise (Fig. 8 or 9).
- If the tool is already equipped with the connectivity module, remove the battery **B**, but do not remove the connectivity module **C**.
- If the connectivity module is installed for the first time, remove the plastic placeholder **D** from the connectivity module compartment, and place the connectivity module **C** in the compartment observing correct orientation (Fig. 9). Note: Store the placeholder **D** in a safe place. Reinsert the placeholder again if the communications module is removed.
- Next place new battery **B** on the top of the connectivity module with the “+” polarity facing up (Fig. 8).
- Place the cover **A** over the battery and turn it 1/8-turn clockwise to lock using a flat screwdriver or a coin.



Operating Instructions

Variable Speed Controlled Trigger Switch

⚠ WARNING To reduce the risk of injury immediately discontinue use of the tool if the variable speed control ceases to function. Subsequent loss of on/off control of the trigger switch is likely.

(Fig. 1)

Your tool is equipped with a variable speed trigger switch. The tool can be turned “ON” or “OFF” by squeezing or releasing the trigger. The speed can be adjusted from the minimum to maximum nameplate RPM by the pressure you apply to the trigger. Apply more pressure to increase the speed and release pressure to decrease speed.

Forward/Reversing Lever and Trigger Lock

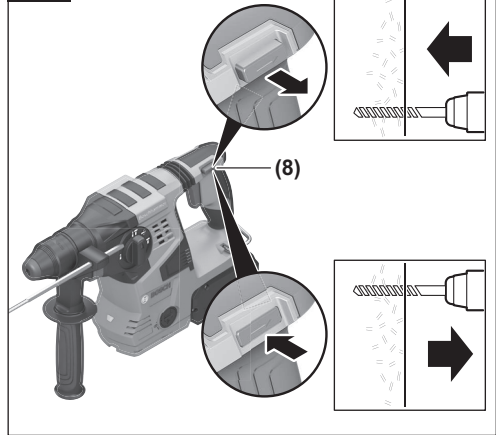
⚠ CAUTION Do not change direction of rotation until the tool comes to a complete stop. Shifting during rotation of the chuck can cause damage to the tool.

(Fig. 10)

Your tool is equipped with a forward/reversing lever and trigger lock 8 located above the trigger (Fig. 10). This lever was designed for changing rotation of the chuck, and for locking the trigger in an “OFF” position to help prevent accidental starts and accidental battery discharge.

For forward rotation, (with chuck pointed away from you) move the lever to the far left. For re-

Fig. 10



verse rotation move the lever to the far right. To activate trigger lock move lever to the center off position.

Mode Selector Dial

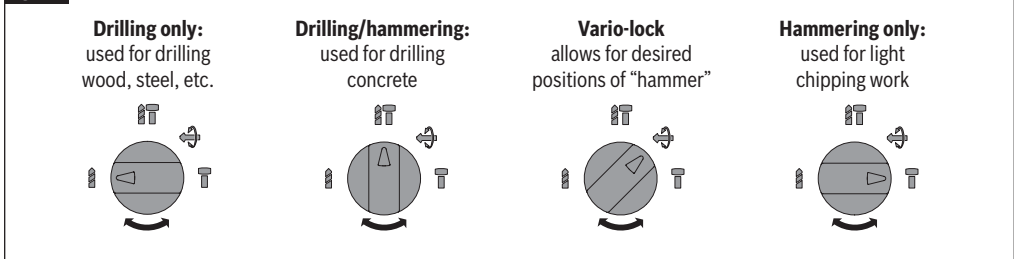
⚠ CAUTION Do not operate the selection dial until the tool comes to a complete stop. Shifting during rotation of the chuck can cause damage to the tool.

(Fig. 11)

The mode selector dial allows the tool to be set for various applications as listed in the following chart, (Fig. 11).

When using demolition or chipping bits such as bull points, chisels, spades, gouges, etc. the “Hammer Only” mode must be selected.

Fig. 11



Operating Instructions

“Vario-Lock”

(Fig. 12)

The Vario-Lock position is intended for use with chipping bits such as bull points, spades, gouges, etc. Choose a position which is best suited for your operation.

Turn the mode selector dial, to the “vario-lock” setting. Next, rotate the locking sleeve, along with the accessory, to the desired position. Then turn the mode selector dial to the “hammer only” setting and slightly turn the locking sleeve to have it automatically lock into a definite position.

Slip Clutch

The tool has an internal pre-set slip clutch. The output spindle will stop rotating if the accessory binds and overloads the tool.

Kickback Control

The rapid shut-off feature enables better control and improves user’s comfort. The power tool automatically shuts off in case of sudden and unexpected rotation of the power tool around the drilling axis (for example jamming of the drill bit in reinforcing steel or wedging application tool). To restart the machine, release the On/Off switch and then actuate again.

Kickback Control can activate only when the power tool is running at maximum operating speed and can rotate freely around the drill bit axis.

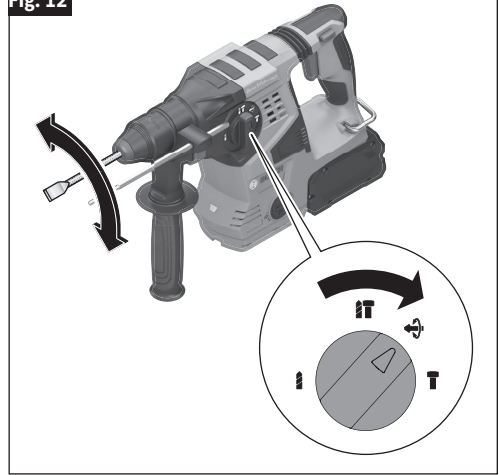
Tool Tips

Following a few simple tips will reduce wear on the tool and the chance of injury to the operator.

Note: The high efficiency available from the rotary hammers can only be obtained if sharp and undamaged accessories are used. The “cost” to maintain sharp and undamaged accessories is more than offset by the “time saved” in operating the tool with sharp accessories.

You will extend the life of your bits and do neater work if you always put the bit in contact with the workpiece BEFORE pulling the trigger. During operation, hold the drill firmly and exert moderate, steady pressure. Too much pressure at low speed will stall the hammer. Too little pressure

Fig. 12



will keep the bit from cutting and cause excess friction by sliding over the surface. This can be damaging to the drill and bit.

Shanks of all drill bits should be wiped clean prior to using and immediately after removing.

Recall these instructions for safe operation:

1. Some materials require slow drilling speeds; whereas, others require higher speed to produce the best results.
2. All work must be supported or secured before drilling and steady, even pressure applied in line with the drill bit.
3. As the drill bit cuts through the opposite side, reduce the pressure and continue running the drill as the bit is withdrawn.

Materials such as glass, porcelain, ceramics, tiles, plastics, etc., should be drilled at low speeds with specially designed drill bits and lubricants.

Drilling Masonry

Use carbide-tipped masonry bit for cinder block, mortar, common brick, soft stone and other materials. The amount of pressure to be used is dependent upon the type of material being drilled. Soft materials require less pressure while the hard materials need more pressure to prevent the drill bit from spinning.

Operating Instructions

Drilling Wood or Plastic

If backing block is not used, ease up on the pressure just before the bit breaks through the wood to avoid splintering. Complete the hole from the opposite side immediately after the point breaks through. If bit binds, reverse the drilling operation to help remove the bit from the work.

Drilling Metal

Center punch mark the center of the hole for easier starting. Use enough pressure to keep the bit cutting. If the bit is allowed to merely spin in the hole, it will become dull within a short time. When drilling a larger hole, it is faster and easier on your power pack to first make a smaller hole and enlarge it to the required size. Lubricate the tip of the bit occasionally with CUTTING OIL for easier metal drilling. If bit binds, reverse the drilling to help remove the bit from the work.

Hanging Up the Power Tool

(Fig. 13)

You can use the utility hook **11** to attach the power tool to a suitable suspension device.

- Briefly push the utility hook **11** towards the handle **9** to release the locking mechanism. The utility hook will extend backwards by itself.
- Turn the utility hook to the side.
- Check the utility hook **11** for damage or deformation.

Do not use the utility hook **11** if it is damaged, deformed or no longer firmly secured to the power tool.

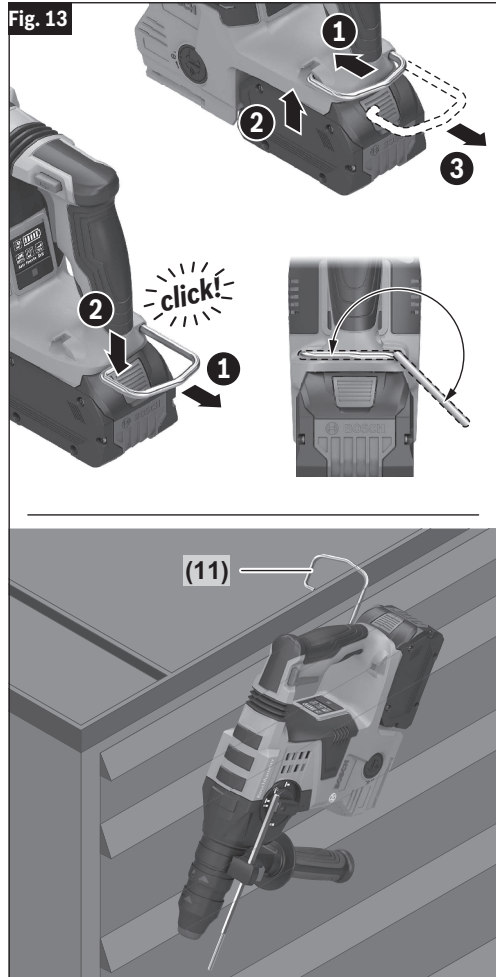
- Use the utility hook **11** to attach the power tool to a suspension device.

To avoid damage or injury, the suspension device must not be attached above walkways or immediate work areas.

The utility hook is intended solely for the purpose of hanging the power tool, including fitted accessories.

- Turn back the utility hook **11** and push it with light pressure forwards and downwards into the locking position when you are working with the power tool.

Fig. 13

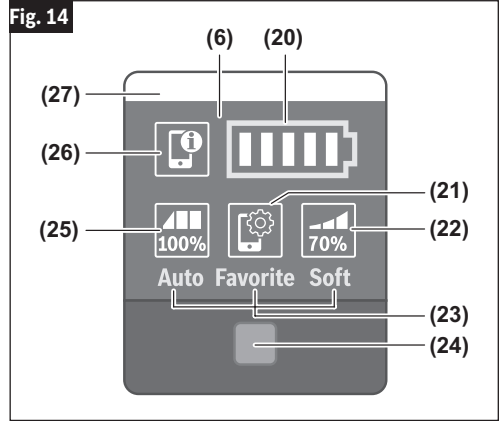


Operating Instructions

User Interface

(Fig. 14)

The user interface **6** is used to select the working mode and to indicate the status of the power tool.



Status Indications

Power tool status (27)	Meaning/cause	Solution
Green	Status OK	–
Yellow	Critical temperature has been reached or rechargeable battery is almost empty	Allow the power tool to cool down, or replace or charge the battery
Red	Power tool has overheated or rechargeable battery is empty	Allow the power tool to cool down, or replace or charge the battery
Red	Motor is jammed, battery too weak	Charge the battery or use the recommended battery type
	General error	– Turn the power tool off and on again, or remove the battery and reinsert it If the error persists: – Send the power tool to the after-sales service
Flashing red	Kickback control is triggered	Turn the power tool off and on again
Flashing blue	Power tool is connected to a mobile device via Bluetooth® or settings are being transferred	–
Battery charge indicator (user interface) (20)	Meaning/cause	Solution
Green (2 to 5 bars)	Battery charged	–
Yellow (1 bar)	Battery almost empty	Replace or charge battery soon
Red (1 bar)	Battery empty	Replace or charge battery

Operating Instructions

Smartphone symbol (26)	Meaning/cause	Solution
White	Important information available (e.g. temperature warning)	Read the message on the smartphone

Working Mode Button (24)

Selecting the working mode:

Press the **24** button for selecting the working mode repeatedly until the working mode you require lights up.

Note: In **Favorite** working mode, the functions are configured via the smartphone app, while the functions are preset in **Auto** and **Soft** working mode.

Working mode (23) indicator	Functions
Auto Maximum performance indicator 25 lights up	In Auto working mode, the power tool reaches maximum performance when hammer drilling at maximum ramp-up speed.
Soft Reduced performance indicator 22 lights up	In Soft working mode, the performance and ramp-up speed of the power tool are reduced when hammer drilling.
Favorite Speed configuration via smartphone app indicator 21 lights up	In Favorite working mode, the performance and ramp-up speed of the power tool can be individually configured via a smartphone app.

Connectivity

Bluetooth®

⚠ WARNING Always check tool settings before use. Settings may be different than when the tool was last used. The connectivity module enables transfer of data and settings based on Bluetooth® wireless technology. With module installed, select tool settings may be changed remotely by a paired Bluetooth® device and user installed app.

⚠ WARNING This tool is equipped with a radio interface. Local operating restrictions, e.g. in military sites or hospitals, are to be observed. Transmitters have demonstrated an ability to unintentionally interfere with other devices.

THINK SAFETY

SAFETY IS A COMBINATION OF OPERATOR COMMON SENSE AND ALERTNESS AT ALL TIMES WHEN THE TOOL IS BEING USED.

Connectivity functions

System Requirements for Using the App

System Requirements

Mobile device (tablet, smartphone)	Android 6.0 (and newer) iOS 11 (and newer)
------------------------------------	---

Installing and Setting up the App

You will need to install the device-specific app before you can use the connectivity functions.

- Download the app from the corresponding app store (Apple App Store, Google Play Store).

Note: You will need to have a user account with the relevant app store to do this.

App name	iOS	Android
Bosch Toolbox		

- Then select the **MyTools** or **Connectivity** sub-item in the app.

- The display of your mobile device shows you all of the subsequent steps required to connect the power tool to the mobile device.

In conjunction with the Bluetooth® Low Energy module **GCY 42**, the following connectivity functions are available with the Bosch Toolbox app for the power tool:

- Registration
- Personalisation of Favorite working mode (performance and behaviour)
- Tool settings (e.g. dust extraction runtime, worklight parameters)
- Status check, output of warning messages
- General information
- Management

Read the corresponding operating instructions for information about the Bluetooth® Low Energy Module **GCY 42**.

The smartphone symbol **26** lights up if the power tool sends information (e.g. a temperature warning) to a mobile device via Bluetooth® wireless technology.

Deactivating the connectivity function

- With the Bluetooth® Low Energy Module, the power tool is equipped with a radio interface. Local operating restrictions, e.g. in aircraft or hospitals, must be observed.

Note: The cover **13** can only be securely closed if the Bluetooth® Low Energy Module and the button cell are situated in the power tool.

- To deactivate the Bluetooth® Low Energy Module, rotate the button cell or place means of insulation between the button cell and Bluetooth® Low Energy Module.
- Close the cover **13** to prevent dirt from getting in.

Connectivity

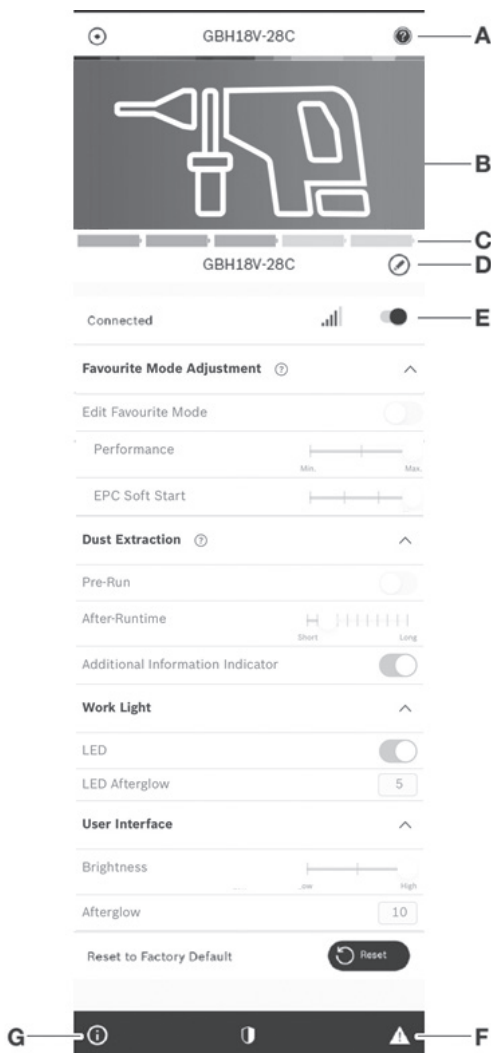
Using 'Bosch Toolbox' app

Install 'Bosch Toolbox' app on your mobile device or make sure you are running the latest version of the app.

Launch 'Bosch ToolBox' app on your mobile device and click on "My Tools" icon/tile. Follow the app directions to pair the tool with the mobile device.

After pairing your tool with a mobile device you can adjust certain functions or check the status of the power tool using Bosch Toolbox app.

- A. Help button** – tapping this button will bring up help screen.
- B. Tool photo** – tapping on the photo will let you customize the photograph of the tool.
- C. Power tool battery charge status** – the number of green 'batteries' indicates the estimated charge level for the battery pack.
- D. Power tool nickname** – tapping on the 'pencil' icon will let you customize the tool nickname. You can also do it when changing the tool photo.
- E. Connection status bar** – Here you can see the connection (signal) strength indicated by vertical bars. You can use toggle switch to disconnect the tool from you mobile device.
- F. Tool alerts** – tapping the 'alerts triangle' will display any alerts received from the tool.
- G. Info button** – displays tool information and specifications.



Dust Extraction

For selection of dust collection systems and operating instructions, see the Operating / Safety instructions for 'Dust Extraction Attachments for Hammers and hammer Drills' included with your tool or with the dust extraction attachment.

Bosch dust collector attachment, GDE18V-16 (sold separately), can be used with this rotary hammer. Please read the GDE18V-16 Operating / Safety instructions for detailed information.

Maintenance

⚠ WARNING To avoid accidents, always disconnect the battery pack from tool before servicing or cleaning.

Service

⚠ WARNING NO USER SERVICEABLE PARTS INSIDE. Preventive maintenance performed by unauthorized personnel may result in misplacing of internal wires and components which could cause serious hazard. We recommend that all tool service be performed by a Bosch Factory Service Center or Authorized Bosch Service Station. SERVICE MEN: Disconnect tool and/or charger from power source before servicing.

Batteries

Be alert for battery packs that are nearing their end of life. If you notice decreased tool performance or significantly shorter running time between charges then it is time to replace the battery pack. Failure to do so can cause the tool to operate improperly or damage the charger.

Tool Lubrication

Your Bosch tool has been properly lubricated and is ready for use.

Motors

The motor in your tool has been engineered for many hours of dependable service. To maintain

peak efficiency of the motor, we recommend it be examined every six months. Only a genuine Bosch replacement motor specially designed for your tool should be used.

Replacing the Built-in Coin Cell Battery

⚠ WARNING The coin cell battery must always be replaced with a coin cell battery of the same type. Using different coin cell battery may cause tool and property damage and injury.

You will be notified via the Bosch Toolbox app if the coin cell is too weak or if it is drained. The coin cell replacement must be performed by Bosch or by an after-sales service centre authorised to work with Bosch power tools.

Cleaning

⚠ CAUTION Certain cleaning agents and solvents damage plastic parts. Some of these are: gasoline, carbon tetrachloride, chlorinated cleaning solvents, ammonia and household detergents that contain ammonia.

Ventilation openings and switch levers must be kept clean and free of foreign matter. Do not attempt to clean by inserting pointed objects through opening.

Accessories

⚠ WARNING Do not use attachments / accessories other than those specified by Bosch. Use of attachments/accessories not specified for use with the tool described in this manual may result in damage to the tool, property damage, and or personal injury.

Store accessories in a dry and temperate environment to avoid corrosion and deterioration.

Standard Equipment	Accessories / Attachments (sold separately)
<ul style="list-style-type: none">- 360 Auxiliary Handle- Depth Gauge	<ul style="list-style-type: none">- Dust Attachments (see Boschtools.com for available dust collection attachments for hammers and hammer drills).- 3-Jaw Chuck



Symboles relatifs à la sécurité

Les définitions ci-dessous décrivent le niveau de gravité pour chaque terme signalant un danger. Veuillez lire le mode d'emploi et lire la signification de ces symboles.

	C'est le symbole d'alerte relatif à la sécurité. Il est utilisé pour vous avertir de l'existence possible d'un danger de lésion corporelle. Obéissez à tous les messages relatifs à la sécurité qui suivent ce symbole pour éviter tout risque de blessure ou même de mort.
	DANGER indique une situation dangereuse qui, si elle n'est pas évitée, causera la mort d'une personne ou une blessure grave.
	AVERTISSEMENT indique une situation dangereuse qui, si elle n'est pas évitée, pourrait causer la mort d'une personne ou une blessure grave.
	MISE EN GARDE indique une situation dangereuse qui, si elle n'est pas évitée, pourrait causer une blessure légère ou modérée.

Avertissements généraux concernant la sécurité des outils lectroportatifs

AVERTISSEMENT Lisez toutes les consignes de sécurité, instructions, illustrations et spécifications fournies avec cet outil électrique. Le non-respect de toutes les instructions figurant ci-après pourrait causer un choc électrique, un incendie et/ou des blessures graves.

CONSERVEZ TOUS LES AVERTISSEMENTS ET TOUTES LES CONSIGNES DE SÉCURITÉ POUR RÉFÉRENCE FUTURE.

Dans les avertissements, le terme « outil électroportatif » se rapporte à votre outil branché sur le secteur (avec fil) ou à votre outil alimenté par piles (sans fil).

1. Sécurité du lieu de travail

- Maintenez le lieu de travail propre et bien éclairé.** Les risques d'accident sont plus élevés quand on travaille dans un endroit encombré ou sombre.
- N'utilisez pas d'outils électroportatifs dans des atmosphères explosives, comme par exemple en présence de gaz, de poussières ou de liquides inflammables.** Les outils électroportatifs produisent des étincelles qui risquent d'enflammer les poussières ou les vapeurs.
- Éloignez les enfants et les visiteurs quand vous vous servez d'un outil électroportatif.** Vous risquez une perte de contrôle si on vous distrait.

2. Sécurité électrique

- Les fiches des outils électroportatifs doivent correspondre à la prise. Il ne faut absolument jamais modifier la fiche. N'utilisez pas d'adaptateur de prise avec des outils électroportatifs munis d'une fiche de terre.** Le risque de choc électrique est moindre si on utilise une fiche non modifiée sur une prise qui lui correspond.
- Évitez tout contact du corps avec des surfaces reliées à la terre tels que tuyaux, radiateurs, gazinières ou réfrigérateurs.** Le risque de choc électrique augmente si votre corps est relié à la terre.

- N'exposez pas les outils électroportatifs à la pluie ou à l'humidité.** Si de l'eau pénètre dans un outil électroportatif, le risque de choc électrique augmente.
- Ne maltraitez pas le cordon. Ne vous en servez jamais pour transporter l'outil électroportatif, pour le tirer ou pour le débrancher. Éloignez le cordon de la chaleur, des huiles, des arêtes coupantes ou des pièces mobiles.** Les cordons abîmés ou emmêlés augmentent les risques de choc électrique.
- Si vous utilisez un outil électroportatif à l'extérieur, employez une rallonge conçue pour l'extérieur.** Ces rallonges sont faites pour l'extérieur et réduisent le risque de choc électrique.
- S'il est absolument nécessaire d'utiliser l'outil électroportatif dans un endroit humide, utilisez une alimentation protégée par un disjoncteur de fuite de terre (GFCI).** L'utilisation d'un disjoncteur GFCI réduit les risques de choc électrique.

3. Sécurité personnelle

- Restez concentré, faites attention à ce que vous faites, et servez-vous de votre bon sens lorsque vous utilisez un outil électroportatif.** N'employez pas d'outils électroportatifs quand vous êtes fatigué ou sous l'emprise de drogues, d'alcool ou de médicaments. Quand on utilise des outils électroportatifs, il suffit d'un moment d'inattention pour causer des blessures corporelles graves.



Avertissements généraux concernant la sécurité des outils lectroportatifs

- b. **Utilisez des équipements de sécurité personnelle. Portez toujours une protection oculaire.** Le port d'équipements de sécurité tels que des masques anti-poussières, des chaussures de sécurité antidérapantes, des casques de chantier et des protecteurs d'oreilles dans des conditions appropriées réduira le risque de blessure corporelle.
- c. **Évitez les démarrages intempestifs. Assurez-vous que l'interrupteur est dans la position arrêt (Off) avant de brancher l'outil dans une prise de courant et/ou un bloc-piles, de le ramasser ou de le transporter.** Le transport d'un outil électroportatif avec le doigt sur la gâchette ou le branchement de cet outil quand l'interrupteur est en position de marche (ON) est une invite aux accidents.
- d. **Enlevez toutes les clés de réglage avant de mettre l'outil électroportatif en marche.** Si on laisse une clé sur une pièce tournante de l'outil électroportatif, il y a risque de blessure corporelle.
- e. **Ne vous penchez pas. Conservez toujours une bonne assise et un bon équilibre.** Ceci vous permettra de mieux maîtriser l'outil électroportatif dans des situations inattendues.
- f. **Habilitez-vous de manière appropriée. Ne portez pas de vêtements amples ou de bijoux. N'approchez pas les cheveux, les vêtements des pièces en mouvement.** Les vêtements amples, les bijoux ou les cheveux longs risquent d'être happés par les pièces en mouvement.
- g. **Si l'outil est muni de dispositifs permettant le raccordement d'un système d'aspiration et de collecte des poussières, assurez-vous que ces dispositifs sont raccordés et utilisés correctement.** L'utilisation d'un dépoussiéreur peut réduire les dangers associés à l'accumulation de poussière.
- h. **Ne laissez pas la familiarité résultant de l'utilisation fréquente des outils vous inciter à devenir complaisant(e) et à ignorer les principes de sécurité des outils.** Une action négligente pourrait causer des blessures graves en une fraction de seconde.
- c. **Débranchez la fiche de la prise secteur et/ou retirez le bloc-piles de l'outil électrique (s'il est amovible) avant d'y apporter de quelconques modifications, de changer d'accessoire ou de ranger l'outil électrique.** De telles mesures de sécurité préventive réduisent le risque de démarrage intempestif de l'outil électroportatif.
- d. **Rangez les outils électroportatifs dont vous ne servez pas hors de portée des enfants et ne permettez pas à des personnes qui ne connaissent pas l'outil électroportatif ou qui ignorent ces consignes de s'en servir.** Les outils électroportatifs sont dangereux dans les mains d'utilisateurs inexpérimentés.
- e. **Entretenez de façon appropriée les outils électriques et les accessoires. Assurez-vous que les pièces en mouvement sont bien alignées et qu'elles ne se coincent pas, qu'il n'y a pas de pièces cassées ou qu'il n'existe aucune situation pouvant affecter le fonctionnement de l'outil électrique. Si l'outil est abîmé, faites-le réparer avant de l'utiliser.** De nombreux accidents sont causés par des outils électroportatifs mal entretenus.
- f. **Maintenez les outils coupants affûtés et propres.** Les outils coupants entretenus correctement et dotés de bords tranchants affûtés sont moins susceptibles de coincer et sont plus faciles à maîtriser.
- g. **Utilisez l'outil électroportatif, les accessoires et les embouts d'outil, etc. conformément à ces instructions, en tenant compte des conditions de travail et des travaux à réaliser.** L'emploi d'outils électroportatifs pour des tâches différentes de celles pour lesquelles ils ont été prévus peut résulter en une situation dangereuse.
- h. **Gardez les poignées et les surfaces de préhension propres, sèches et exemptes de toute trace d'huile ou de graisse.** Les poignées et les surfaces de préhension glissantes ne permettent pas une manipulation et un contrôle sûrs de l'outil dans des situations inattendues.

4. Utilisation et entretien des outils électroportatifs

- a. **Ne forcez pas sur l'outil électroportatif. Utilisez l'outil électroportatif qui convient à la tâche à effectuer.** L'outil qui convient à la tâche fait un meilleur travail et est plus sûr à la vitesse pour lequel il a été conçu.
- b. **Ne vous servez pas de l'outil électroportatif si son interrupteur ne parvient pas à le mettre en marche ou à l'arrêter.** Tout outil électroportatif qui ne peut pas être commandé par son interrupteur est dangereux et doit être réparé.

5. Utilisation et entretien des outils à piles

- a. **Rechargez les piles uniquement avec le chargeur spécifié par le fabricant.** Un chargeur qui convient à un type de bloc-piles peut entraîner un risque d'incendie quand il est utilisé avec un autre bloc-piles.
- b. **Utilisez des outils électroportatifs uniquement avec les bloc-piles spécifiquement désignés pour eux.** L'utilisation de tout autre bloc-piles peut créer un risque de blessures et d'incendie.
- c. **Lorsque le bloc-piles n'est pas utilisé, gardez-le à distances d'autres objets métalliques tels que des trombones, des pièces de monnaie, des clés, des clous, des vis ou de tout autre objet métallique pouvant faire une connexion entre une borne et une autre.** Court-circuiter les bornes des piles peut causer des brûlures ou un incendie.



Avertissements généraux concernant la sécurité des outils lectroportatifs

- d. **Dans des conditions abusives, du liquide peut être éjecté de la pile ; dans un tel cas, évitez tout contact avec ce liquide.** Si un contact se produit accidentellement, rincez avec de l'eau. Si le liquide entre en contact avec les yeux, consultez un médecin. Du liquide éjecté de la pile peut causer des irritations ou des brûlures.
- e. **N'utilisez pas un bloc-piles ou un outil qui est endommagé ou a été modifié.** Des piles endommagées ou modifiées peuvent se comporter de façon imprévisible et causer un incendie ou une explosion, ou entraîner des blessures.
- f. **N'exposez pas un bloc-piles ou un outil à un incendie ou à une température excessive.** L'exposition à un incendie ou à une température supérieure à 265° F (130° C) pourrait causer une explosion.
- g. **Suivez toutes les instructions relatives à la charge et ne chargez pas le bloc-piles ou l'outil en dehors de la plage de température indiquée dans les instructions.** Une charge dans des conditions appropriées ou à des températures en dehors de la plage spécifiée pourrait endommager les piles et augmenter le risque d'incendie.

6. Entretien

- a. **Faites réparer votre outil électroportatif par un agent de service qualifié n'utilisant que des pièces de rechange identiques.** Ceci assure que la sécurité de l'outil électroportatif est préservée.
- b. **Ne tentez jamais de réparer des blocs-piles endommagés.** La réparation de blocs-piles ne doit être effectuée que par le fabricant ou un prestataire de services agréé.

Avertissements de sécurité pour le marteau

1. Consignes de sécurité pour toutes les opérations

- a. **Portez des protecteurs d'oreilles.** L'exposition au bruit peut causer une perte d'acuité auditive.
- b. **Utilisez la ou les poignée(s) auxiliaire(s) si elle est/elles sont fournie(s) avec l'outil.** Une perte de contrôle pourrait causer des blessures physiques.
- c. **Sécurisez l'outil de façon appropriée avant de l'utiliser.** Cet outil produit un couple de sortie élevé et, si l'outil n'est pas sécurisé correctement pendant le fonctionnement, une perte de contrôle peut se produire et entraîner des blessures corporelles.
- d. **Tenez l'outil électroportatif par ses surfaces de préhension isolées lorsque vous effectuez une opération à l'occasion de laquelle l'accessoire de coupe risque d'entrer en contact avec un fil caché.** Tout contact de l'accessoire de coupe avec un fil sous tension risque de mettre aussi sous tension les parties métalliques exposées de l'outil électroportatif, ce qui pourrait causer un choc électrique pour l'opérateur.
- e. **Utilisez des brides ou d'autres moyens pratiques de brider ou de supporter la pièce sur une plate-forme stable.** Tenir la pièce à la main ou contre le corps est instable et risque de résulter en une perte de contrôle.
- f. **Ne percez, fixez et ne rentrez pas dans des murs existants ou autres endroits aveuglés pouvant abriter des fils électriques.** Si cette situation est inévitable, débranchez tous les fusibles ou les disjoncteurs alimentant ce site.
- g. **Portez toujours des lunettes à coques latérales ou des lunettes de protection en utilisant cet outil. Utilisez un respirateur ou un masque anti-poussières pour les applications produisant de la poussière.**
- h. **Utilisez un détecteur de métaux afin d'établir s'il y a des tuyaux d'eau ou à gaz dissimulés dans l'aire de travail ou appelez la compagnie de service public locale pour assistance avant de commencer l'opération.** Le fait de frapper une conduite de gaz ou de couper dans celle-ci provoquera une explosion. L'eau pénétrant dans un appareil électrique peut entraîner une électrocution.
- i. **Utilisez toujours la poignée auxiliaire pour un contrôle maximal sur le rebond ou la réaction de couple. Ne tentez jamais d'utiliser cet outil d'une seule main.** L'embrayage à friction s'enclenche si vous tenez fermement l'outil quand celui-ci subit un couple de réaction ou un recul brutal.
- j. **Utilisez des gants rembourrés épais et limitez le temps d'exposition en prenant des pauses fréquentes.** Les vibrations causées par l'action du marteau-perceuse peuvent être nocives pour vos mains et vos bras.
- k. **Assujettissez l'ouvrage à percer. Ne le tenez jamais dans votre main ou par-dessus vos jambes.** Un support instable peut faire gripper le foret, provoquant ainsi une perte de contrôle et des blessures.
- l. **Débranchez le bloc-piles de l'outil avant d'effectuer tout assemblage ou réglage, ou de changer des accessoires.** Ces mesures de sécurité préventives réduisent le risque d'une mise en marche accidentelle de l'outil.
- m. **Placez-vous de manière à éviter d'être pris entre l'outil ou la poignée latérale et les murs ou les montants.** Si le



Avertissements de sécurité pour le marteau

- foret se coince ou grippe dans l'ouvrage, le couple de réaction de l'outil pourrait écraser votre main ou votre pied.
- n. **Si le foret grippe dans l'ouvrage, relâchez la gâchette immédiatement, inversez le sens de rotation et appuyez lentement sur la gâchette pour faire ressortir le foret.** Soyez prêt à un fort couple de réaction. Le corps de la perceuse aura tendance à tordre en sens opposé à mesure que le foret tourne.
 - o. **Ne frappez pas le foret avec un marteau à main ou un marteau de frappe en tentant de déloger un foret grippé ou coincé.** Des fragments métalliques pourraient se détacher du foret et vous frapper ou frapper des personnes présentes.
 - p. **Ne posez jamais l'outil jusqu'à ce que le foret ou l'accessoire se soit arrêté complètement.**
 - q. **Ne saisissez pas l'outil et ne placez vos mains trop près du foret ou du mandrin en rotation.** Votre main pourrait être lacérée.
 - r. **En installant un foret, insérez la tige du foret bien à l'intérieur des mâchoires du mandrin.** Si le foret n'est pas inséré assez profondément, la prise des mâchoires sur le foret est réduite et la perte de contrôle est accrue.
 - s. **N'utilisez pas de forets et d'accessoires émoussés ou endommagés.** Les forets émoussés ou endommagés ont tendance à gripper dans l'ouvrage.
 - t. **En retirant le foret de l'outil, évitez tout contact avec la peau et utilisez des gants protecteurs appropriés en saisissant le foret ou l'accessoire.** Les accessoires peuvent être chauds après une utilisation prolongée.
 - u. **Assurez-vous que les clés de serrage et de réglage sont retirées de la perceuse avant de mettre l'outil en marche.** Les clés de serrage ou de réglage peuvent être projetées à grande vitesse et frapper une personne présente ou vous-même.
 - v. **Ne faites pas fonctionner l'outil en la portant à votre côté.** Un foret en rotation pourrait s'em mêler à vos vêtements, ce qui pourrait causer des blessures.
 - w. **Si des dispositifs sont prévus pour le raccordement de systèmes de collecte et d'extraction des poussières, videz le récipient à poussières avant de commencer le travail, fréquemment pendant le travail, après la fin du travail et avant de ranger l'outil.** Faites preuve d'une prudence extrême quand vous jetez de la poussière étant donné que les matières sous forme de fines particules peuvent être explosives.
 - x. **Ne jetez pas de poussière dans un feu ouvert.** La combustion d'un mélange de vernis, de laques, de polyuréthane, d'huile ou d'eau avec des particules de poussière peut se produire en cas de décharge statique, d'étincelle électrique ou de chaleur excessive.
 - y. **Ne vous servez pas de l'accessoire d'extraction pour des opérations dans le cadre desquelles la poussière produite peut inclure des éléments en train de brûler, sous forme de fumée et faisant l'objet d'une combustion lente, comme des cendres très chaudes ou des étincelles.** Ceci risquerait de causer un incendie à l'intérieur de la boîte à poussière. Une combustion lente de la poussière risque de mettre le feu au dispositif longtemps après que vous aurez fini de vous en servir.
 - z. **N'utilisez pas l'accessoire d'extraction de la poussière avec des poussières explosives, du vernis, des enduits en polyuréthane, des détergents ou des peintures à base d'huile.** Les moteurs électriques produisent des étincelles qui pourraient mettre le feu à des poussières ou à de la fumée.
 - aa. **N'utilisez pas l'accessoire d'extraction lorsque vous travaillez sur du métal.** Les copeaux produits par le perçage de métal peuvent être très chauds et peuvent produire des étincelles capables de faire fondre des adaptateurs en plastique ou des tuyaux d'aspiration, et ils risquent de causer un incendie à l'intérieur du réservoir à poussière ou d'un sac à poussière.
 - ab. **Ne percez pas dans du métal lorsque le système d'extraction de poussière est installé.** Des copeaux de métal très chauds pourraient prendre feu spontanément ou mettre le feu à des parties du système d'extraction de poussière.
 - ac. **Ne percez pas dans du bois lorsque le système d'extraction de poussière est installé.** Les copeaux de bois sont généralement de trop grande taille, et ils causeraient des obstructions dans le canal d'évacuation de la poussière.
 - ad. **Votre outil est équipé d'un récipient pour la poussière ; videz-le fréquemment, après avoir terminé le perçage et avant de ranger l'outil.** Faites preuve d'une prudence extrême quand vous jetez de la poussière étant donné que les matières sous forme de fines particules peuvent être explosives.
 - ae. **Remarque : N'utilisez pas le système d'extraction de poussière lorsque vous cisez, vissez ou découpez des filets.**

2. Consignes de sécurité lors de l'utilisation de forets longs

- a. **Commencez à percer à faible vitesse en vous assurant que la pointe de la mèche est en contact avec l'ouvrage.** À des vitesses plus élevées, il est probable que la mèche se déformera si vous la laissez tourner librement sans qu'elle ne soit en contact avec l'ouvrage, ce qui risque de causer des blessures.

Avertissements de sécurité pour le marteau

- b. **N'exercez de pression que dans l'axe direct de la mèche, et ne faites pas pression excessivement.** Les mèches peuvent se déformer, casser l'équipement ou causer une perte de contrôle pouvant entraîner des blessures.
- c. **N'utilisez jamais à une vitesse plus élevée que la vitesse nominale maximum de la mèche de perçage.** À des vitesses plus élevées, il est probable que la mèche se déformera si vous la laissez tourner librement sans qu'elle ne soit en contact avec l'ouvrage, ce qui risque de causer des blessures.

Avertissements supplémentaires concernant la sécurité

L'emploi d'un GFCI et de dispositifs de protection personnelle tels que gants et chaussures d'électricien en caoutchouc améliorent votre sécurité personnelle.

N'utilisez pas un outil conçu uniquement pour le C.A. sur une alimentation en C.C. Même si l'outil semble fonctionner, les composants électriques d'un outil prévu pour le C.A. tomberont probablement en panne et risquent de créer un danger pour l'utilisateur.

Maintenez les poignées sèches et exemptes d'huile et de graisse. On ne peut maîtriser un outil électroportatif en toute sécurité quand on a les mains glissantes.

Créez un agenda d'entretien périodique pour votre outil. Quand vous nettoyez un outil, faites attention de n'en démonter aucune pièce car il est toujours possible de mal remonter ou de pincer les fils internes ou de remonter incorrectement les ressorts de rappel des capots de protection. Certains agents de nettoyage tels que l'essence, le tétrachlorure de carbone, l'ammoniaque, etc. risquent d'abîmer les plastiques.

Veillez à ce que l'interrupteur soit dans la position de fermeture avant d'insérer le bloc-piles. L'insertion d'un bloc-

piles dans un outil électroportatif dont l'interrupteur est dans la position de marche est une invite aux accidents.

⚠ AVERTISSEMENT Les travaux à la machine tel que ponçage, sciage, meulage, perçage et autres travaux du bâtiment peuvent créer des poussières contenant des produits chimiques qui sont des causes reconnues de cancer, de malformation congénitale ou d'autres problèmes reproductifs. Ces produits chimiques sont, par exemple :

- Le plomb provenant des peintures à base de plomb,
- Les cristaux de silices provenant des briques et du ciment et d'autres produits de maçonnerie, et
- L'arsenic et le chrome provenant des bois traités chimiquement.

Le niveau de risque dû à cette exposition varie avec la fréquence de ces types de travaux. Pour réduire l'exposition à ces produits chimiques, il faut travailler dans un lieu bien ventilé et porter un équipement de sécurité approprié tel que certains masques à poussière conçus spécialement pour filtrer les particules microscopiques.

Mise en garde de la FCC

Le fabricant n'est pas responsable de toute interférence radio à cause de modifications non autorisées apportées à ce matériel. De telles modifications pourraient annuler l'autorisation accordée à l'utilisateur pour utiliser ce matériel.

Cet appareil est conforme à la partie 15 des Règlements de la FCC. Son utilisation est autorisée moyennant le respect des deux conditions suivantes :

- 1) Cet appareil ne doit pas causer d'interférences nuisibles ; et
- 2) Cet appareil doit accepter toute interférence reçue, y compris les interférences qui risquent de causer un fonctionnement indésirable.

REMARQUE ! Cet équipement a été testé et jugé conforme aux limites pour un équipement numérique de Classe B en vertu de la Partie 15 des Règlements de la FCC. Ces limites sont conçues pour assurer une protection raisonnable contre

les interférences nuisibles dans une installation résidentielle. Cet équipement émet, utilise et peut rayonner de l'énergie de fréquence radio et, s'il n'est pas installé et utilisé conformément aux instructions, il pourrait causer des interférences nuisibles aux communications radio. Cependant, il n'existe aucune garantie qu'aucune interférence ne se produira dans une installation particulière. Si cet équipement cause des interférences nuisibles pour la réception de programmes à la radio ou à la télévision, ce qui peut être déterminé en allumant et en éteignant à plusieurs reprises l'équipement en question, l'utilisateur est encouragé à corriger l'interférence en prenant une ou plusieurs des mesures suivantes :

- Réorienter ou déplacer l'antenne de réception.
- Augmenter la distance entre l'équipement et le récepteur.
- Connecter l'équipement à une prise de courant raccordée à un circuit différent de celui auquel le récepteur est connecté.



Industrie Canada

• Consulter le détaillant ou un technicien radio ou télévision expérimenté pour lui demander conseil.

« Exposition à des signaux de radio fréquence (RF) : Le dispositif sans fil est un émetteur et récepteur radio. Il est conçu et fabriqué pour ne pas dépasser la limite d'émission pour l'exposition à l'énergie de radio fréquence (RF) fixée par le Ministère de la Santé (Canada), Code de sécurité 6. Ces limites font partie des directives globales et des niveaux permis établis d'énergie RF pour l'ensemble de la population.

Ces directives sont basées sur les normes de sécurité fixées antérieurement par les organismes internationaux de normalisation. Ces normes comprennent une marge de sécurité sub-

stantielle conçue pour assurer la sécurité de tout le monde, quels que soient l'âge et l'état de santé.

Ce dispositif et son antenne ne doivent pas être placés à proximité d'une autre antenne ou d'un autre émetteur, et ils ne doivent pas fonctionner conjointement avec eux.

Cette imprimante remplit les conditions d'exemption de licence des charges sur les normes radioélectriques (RSS/CNR) d'Industrie Canada. Son fonctionnement est soumis aux deux conditions suivantes :

(1) Cet appareil ne doit pas causer d'interférences ; et

Spécifications

Numéro de modèle	GBH18V-28C
Tension nominale	18 V
Style de tige	SDS-plus®
Diamètre de perçage maximum en : Béton Acier	1-1/8" (28mm) 1/2" (13mm)
Température admissible des piles pendant la charge	+32...+113°F (0...+45°C)
Température ambiante admissible pendant le fonctionnement et le stockage	+5...+122°F (-15...+50°C)
Température ambiante recommandée pendant la charge	+32...+95°F (0...+35°C)

Bloc-piles/chargeurs

Veuillez vous référer à la liste des piles/chargeurs accompagnant votre outil.

REMARQUE : Pour spécifications de l'outil, reportez-vous à la plaque signalétique de votre outil.

Utilisation prévue






Cet outil électrique est destiné au perçage au marteau dans le béton, la brique et la pierre, ainsi qu'aux travaux légers de burinage. Il convient également pour le perçage sans impact dans le bois, le métal, la céramique et le plastique. Les outils électriques à commande électronique et à rotation droite/gauche conviennent également pour le vissage.

Avec le module Bluetooth® à faible consommation d'énergie GCY 42 inséré, les données et les paramètres de l'outil électrique peuvent être transférés entre l'outil électrique et un dispositif mobile au moyen de la technologie sans fil Bluetooth®.










Symboles

IMPORTANT : Certains des symboles suivants peuvent être utilisés sur votre outil. Veuillez les étudier et apprendre leur signification. Une interprétation appropriée de ces symboles vous permettra d'utiliser l'outil de façon plus efficace et plus sûre.

Symbole	Désignation / Explication
V	Volts (voltage)
A	Ampères (courant)
Hz	Hertz (fréquence, cycles par seconde)
W	Watt (puissance)
kg	Kilogrammes (poids)
min	Minutes (temps)
s	Seconds (temps)
∅	Diamètre (taille des mèches de perceuse, meules, etc.)
n_0	Vitesse à vide (vitesse de rotation, à vide)
n	Vitesse nominale (vitesse maximum pouvant être atteinte)
.../min	Tours ou mouvement alternatif par minute (tours, coups, vitesse en surface, orbites, etc., par minute)
0	Position d'arrêt (vitesse zéro, couple zéro ...)
1, 2, 3, ... I, II, III,	Réglages du sélecteur (Réglages de vitesse, de couple ou de position. Un nombre plus élevé signifie une vitesse plus grande)
0 	Sélecteur variable à l'infini avec arrêt (La vitesse augmente depuis le réglage 0)
	Flèche (action dans la direction de la flèche)
~	Courant alternatif (type ou caractéristique du courant)
==	Courant continu (type ou caractéristique du courant)
	Courant alternatif ou continu (type ou caractéristique du courant)
	Construction classe II (désigne des outils construits avec double isolation)
	Borne de terre (borne de mise à la terre)

Symboles

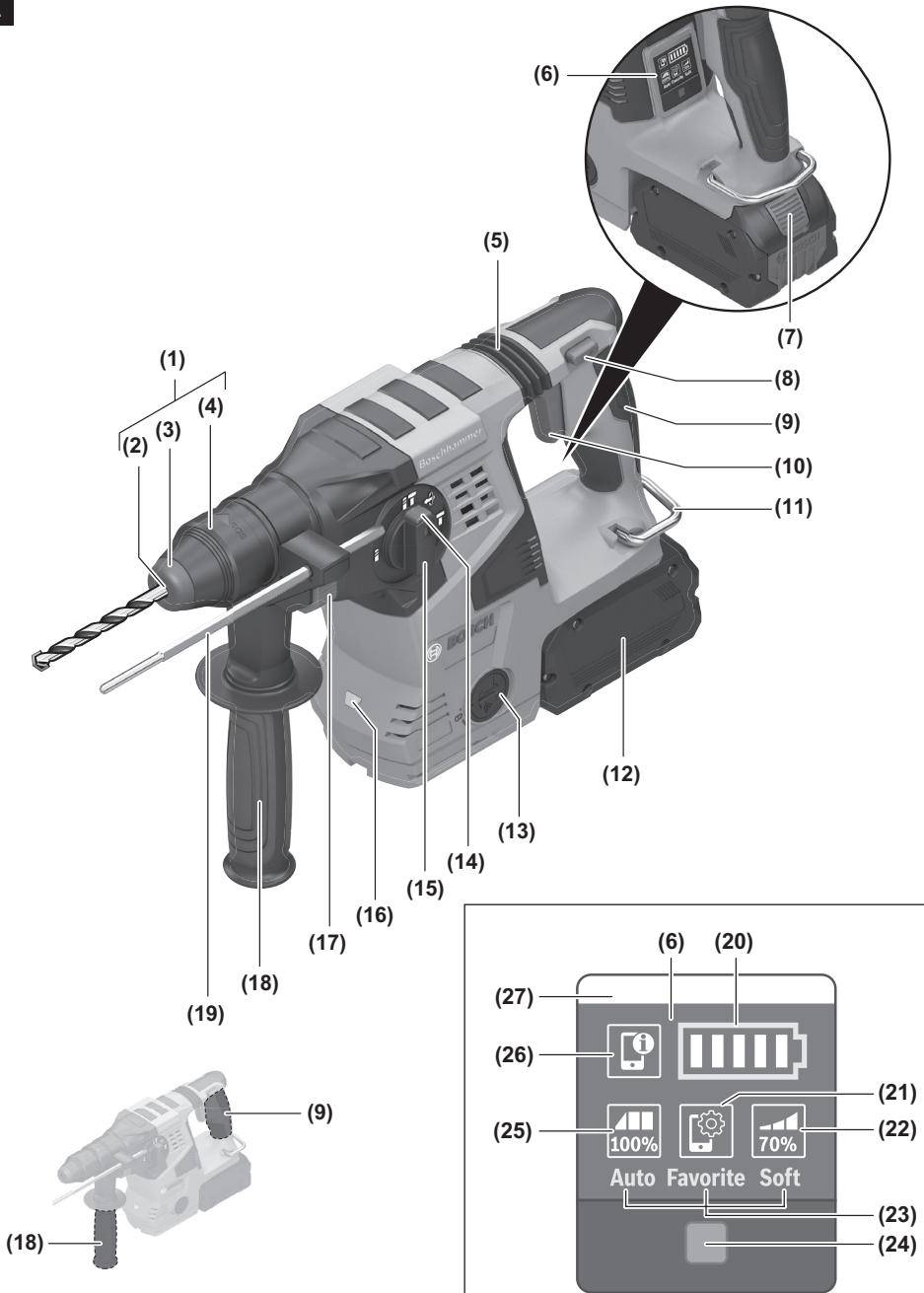
IMPORTANT : Certains des symboles suivants peuvent être utilisés sur votre outil. Veuillez les étudier et apprendre leur signification. Une interprétation appropriée de ces symboles vous permettra d'utiliser l'outil de façon plus efficace et plus sûre.

Symbole	Désignation / Explication
	Alerte l'utilisateur pour lire le mode d'emploi.
	Alerte l'utilisateur pour porter des lunettes de sécurité.
	Alerte l'utilisateur pour porter une protection respiratoire.
	Alerte l'utilisateur pour porter des protecteurs d'oreilles.
	Fait savoir à l'utilisateur qu'il doit porter des protections oculaires, respiratoires et auditives.
	Ce symbole signifie que cet outil est approuvé par Underwriters Laboratories selon les normes des États-Unis et du Canada.
	Ce symbole signifie que cet outil est approuvé par l'Association canadienne de normalisation.
	Ce symbole signifie que cet outil est approuvé par l'Association canadienne de normalisation selon les normes des États-Unis et du Canada.
	Ce symbole signifie que cet outil est approuvé par Intertek Testing Services selon les normes des États-Unis et du Canada.
	Désigne le programme de recyclage des piles Li-ion.

Familiarisez-vous avec votre produit

Perceuse à percussion sans fil GBH18V-28C

Fig. 1



Familiarisez-vous avec votre produit

- 1 Mandrin SDS plus à changement rapide
- 2 Porte-outil SDS Plus
- 3 Capuchon de protection contre la poussière
- 4 Manchon de verrouillage
- 5 Amortissement des vibrations
- 6 Interface utilisateur
- 7 Bouton de relâchement du bloc-piles
- 8 Levier de sélection de marche avant/arrière et verrou de la gâchette
- 9 Poignée (surface de préhension isolée)
- 10 Interrupteur de marche/arrêt
- 11 Crochet de suspension
- 12 Bloc-piles
- 13 Cache Bluetooth
- 14 Bouton de relâchement du sélecteur d'impact/de mode
- 15 Sélecteur d'impact/de mode
- 16 Lampe de travail
- 17 Bouton pour le réglage de la butée de profondeur
- 18 Poignée auxiliaire (surface de préhension isolée)
- 19 Butée de profondeur

Interface utilisateur

- 20 Témoin d'état de charge des piles
- 21 Configuration de la vitesse via l'application de téléphone intelligent
- 22 Indicateur de performance réduite
- 23 Indicateur de modes de travail
- 24 Bouton pour sélectionner le mode de travail
- 25 Indicateur de performance maximale
- 26 Symbole du téléphone intelligent
- 27 Indicateur d'état de fonctionnement de l'outil électrique

Assemblage

⚠ AVERTISSEMENT Débranchez le bloc-piles de l'outil avant d'effectuer tout assemblage ou réglage, ou de changer des accessoires. Ces mesures de sécurité préventives réduisent le risque d'une mise en marche accidentelle de l'outil.

Insertion et retrait du bloc-piles

⚠ AVERTISSEMENT Utilisez seulement des piles Bosch ou AMPShare recommandées sur la liste des piles/chargeurs accompagnant votre outil. L'utilisation d'autres types de piles pourrait causer des blessures ou des dommages matériels.

⚠ AVERTISSEMENT Assurez-vous que l'interrupteur est en position d'arrêt avant d'insérer la batterie. L'insertion de la batterie dans des outils électriques dont l'interrupteur est activé invite les accidents.

(Fig. 1)

Pour insérer le bloc-piles,

1. Mettez le levier de sélection de marche avant/arrière et le verrou de la gâchette **8** en position verrouillée.

2. Faites glisser le bloc-piles chargé **7** dans le bâti jusqu'à ce que le bloc-piles se bloque en position.

Votre outil est muni d'un loquet de verrouillage secondaire qui empêche le bloc-piles de se séparer complètement de la poignée et de tomber au cas où il viendrait à se décrocher à cause des vibrations.

Pour retirer le bloc-piles,

1. Appuyez sur le bouton de déclenchement du bloc-piles **12** et faites glisser le bloc-piles vers l'avant.
2. Appuyez une fois de plus sur le bouton de déclenchement du bloc-piles **12** et faites glisser le bloc-piles jusqu'à ce qu'il sorte complètement du bâti de l'outil.

Assemblage

Installation des accessoires SDS-plus®

(Fig. 2)

Nettoyez l'extrémité de la tige d'insertion de l'accessoire pour retirer tous débris éventuels, puis graissez légèrement en utilisant une huile ou un lubrifiant léger.

Insérez l'accessoire dans le mandrin à travers le pare-pousière tout en le faisant tourner et en le poussant vers l'intérieur jusqu'à ce qu'il se bloque automatiquement en place. Tirez l'accessoire vers l'extérieur pour vous assurer qu'il est bien verrouillé dans le mandrin.

REMARQUE : L'efficacité élevée des marteaux rotatifs ne peut être obtenue que si des accessoires tranchants et en bon état sont utilisés. Le "coût" de l'entretien d'accessoires tranchants en bon état est plus que compensé par le « gain de temps » résultant de l'emploi de l'outil avec des accessoires tranchants.

Retrait des accessoires SDS-plus®

⚠ AVERTISSEMENT Les accessoires peuvent être très chauds après l'emploi. Évitez tout contact avec la peau et utilisez un chiffon ou des gants de protection appropriés pour les retirer.

(Fig. 3)

Pour retirer un accessoire, tirez le manchon de verrouillage 4 vers l'arrière et tirez l'embout vers l'avant. Il faut essuyer tous les accessoires pour les nettoyer après les avoir retirés.

Fig. 2

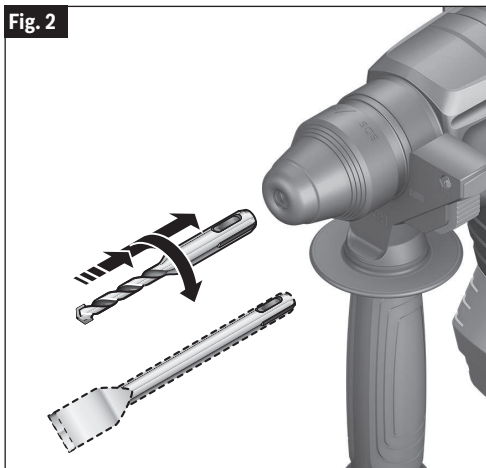
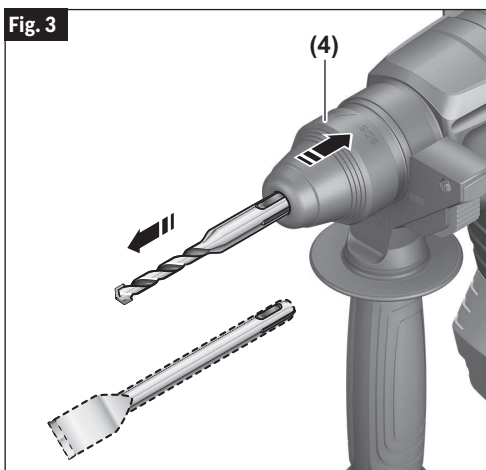


Fig. 3



Assemblage

Installation et retrait du mandrin à trois mâchoires (non inclus, disponible en tant qu'accessoire)

(Fig. 4)

Le mandrin à trois mâchoires avec la tige SDS peut convertir votre outil pour permettre son utilisation avec des embouts à tige droite.

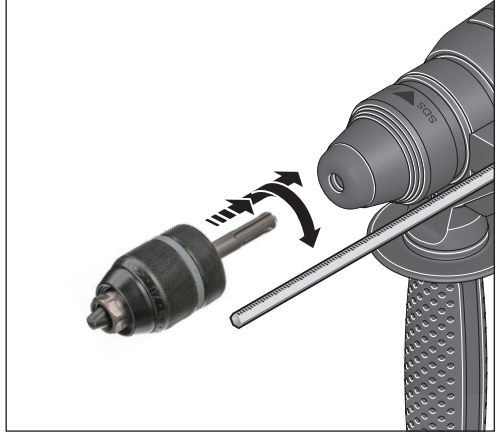
Nettoyez l'extrémité de la tige d'insertion de l'accessoire pour retirer tous débris éventuels, puis graissez légèrement en utilisant une huile ou un lubrifiant léger.

Insérez l'accessoire dans le mandrin à travers le pare-pousière tout en le faisant tourner et le poussant vers l'intérieur jusqu'à ce qu'il se bloque automatiquement en place. Tirez l'accessoire vers l'extérieur pour vous assurer qu'il est bien verrouillé dans le mandrin (Fig. 4).

Pour retirer le mandrin, tirez le manchon de verrouillage vers l'arrière (de l'outil) tout en tirant le mandrin vers l'avant.

Une version sans clé du mandrin à trois mâchoires est en vente. Voir Boschtools.com pour plus de détails.

Fig. 4



Installation et retrait des accessoires du mandrin à trois mâchoires

(Fig. 5)

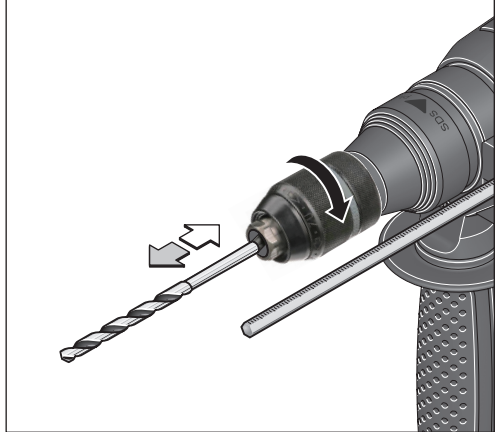
Pour les embouts de petite taille, ouvrez les mâchoires suffisamment pour insérer l'embout jusqu'aux goujures. Pour les embouts de grande taille, insérez les embouts aussi loin que possible. Centrez l'embout tout en fermant les mâchoires à la main. Ceci met l'embout dans la position appropriée, produisant le maximum de contact entre les mâchoires du mandrin et la tige de l'embout (Fig. 5).

Pour serrer le mandrin, insérez la clé dans chacun des trois trous de serrure en succession et serrez à fond dans le sens des aiguilles d'une montre.

Le mandrin peut être déverrouillé en utilisant seulement un trou.

Remarque : Le mandrin à trois mâchoires ne peut être utilisé que dans le mode de perçage. Le mandrin à trois mâchoires ne peut pas être utilisé pour percer avec une action de percussion.

Fig. 5



Assemblage

Poignée auxiliaire

(Fig. 6)

L'outil doit être supporté avec la poignée auxiliaire **18**, qui peut pivoter sur 360°.

Pour repositionner et/ou faire pivoter la poignée, desserrez la prise manuelle, mettez la poignée dans la position désirée le long du manche cylindrique et resserrez la prise manuelle de façon sécurisée.

Jauge de profondeur

(Fig. 7)

Votre profondeur de perçage peut être fixée à l'avance et/ou répétée en utilisant la jauge de profondeur.

Réglage de la profondeur : Après l'installation de la poignée auxiliaire, vérifiez que l'accessoire a été inséré complètement dans le porte-outil **2** avant de régler la jauge de profondeur **19**.

Pour régler la profondeur, appuyez sur le bouton de déverrouillage de la jauge de profondeur **17**, faites glisser la jauge de profondeur **19** à la profondeur désirée et relâchez la pression sur le bouton pour verrouiller la jauge de profondeur en place.

Insertion du module Bluetooth® à faible consommation d'énergie GCY 42 (Accessoire)

Lisez les instructions d'utilisation correspondantes pour toutes informations sur le module Bluetooth® à faible consommation d'énergie GCY 42.

Fig. 6

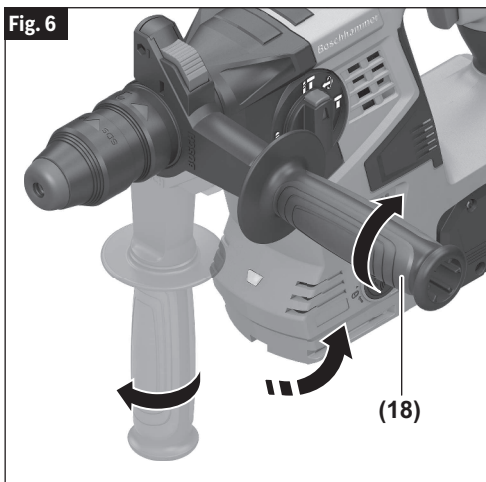
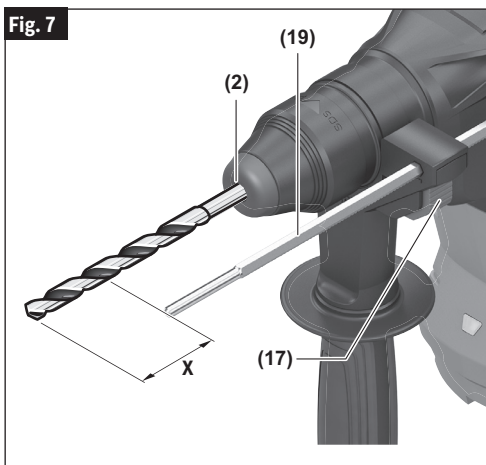


Fig. 7



Assemblage

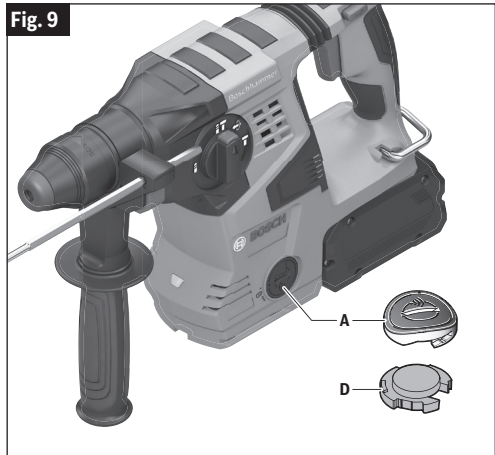
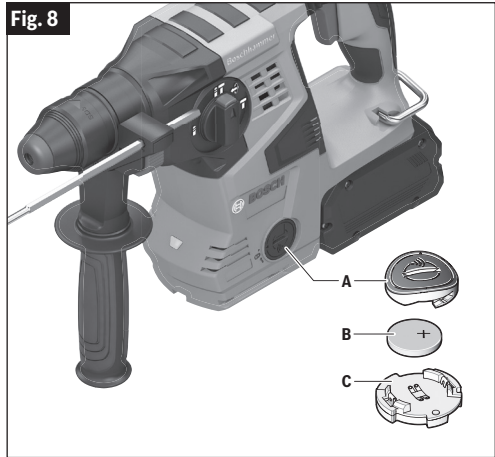
Installation du module de connectivité (vendue séparément)

⚠ AVERTISSEMENT Pour réduire le risque de blessure, lisez les instructions d'utilisation qui sont jointes au module de connectivité Bosch. Les instructions d'utilisation pour le module de connectivité contiennent des informations importantes qui ne sont pas couvertes dans ce mode d'emploi.

(Fig. 8, 9)

Si le module de connectivité n'est pas acheté avec l'outil, ou si le remplacement du module ou des piles devient nécessaire, veuillez suivre cette procédure (voir Fig. 8) :

- En utilisant un tournevis à lame plate ou une pièce de monnaie, retirez le couvercle **A** du côté de la poignée en tournant d'un huitième de tour dans le sens contraire des aiguilles d'une montre (Fig. 8 ou 9).
- Si l'outil est déjà muni du module de connectivité, retirez la pile **B** mais pas le module de connectivité **C**.
- Si le module de connectivité est installé pour la première fois, retirez le support de mise en place en plastique **D** du compartiment du module de connectivité et placez le module de connectivité **C** dans le compartiment en respectant l'orientation correcte (Fig. 9). **Remarque :** Rangez le support de mise en place **D** en lieu sûr. Réinsérez le support de mise en place si le module de communications est retiré.
- Puis placez la nouvelle pile **B** sur le module de connectivité avec la polarité « + » orientée vers le haut (Fig. 8).
- Placez le couvercle **A** sur la pile et tournez d'un huitième de tour dans le sens des aiguilles d'une montre pour verrouiller en utilisant un tournevis à lame plate ou une pièce de monnaie.



Consignes de fonctionnement

Commande de variation de la vitesse Interrupteur à gâchette

⚠ AVERTISSEMENT Pour réduire le risque de blessure, arrêtez immédiatement d'utiliser l'outil si la commande de variation de la vitesse cesse de fonctionner. Une perte ultérieure de contrôle sur l'activation/la désactivation de l'interrupteur à gâchette est vraisemblable.

(Fig. 1)

Votre outil est muni d'un interrupteur à gâchette pour la commande de variation de la vitesse. L'outil peut être activé (ON) ou désactivé (OFF) en comprimant ou relâchant l'interrupteur à gâchette. La vitesse peut être ajustée de la valeur minimum à la valeur maximum figurant sur la plaque signalétique en fonction de la pression que vous exercez sur la gâchette. Exercez plus de pression pour accroître la vitesse ou moins de pression pour réduire la vitesse.

Levier de marche avant/arrière et verrouillage de la gâchette

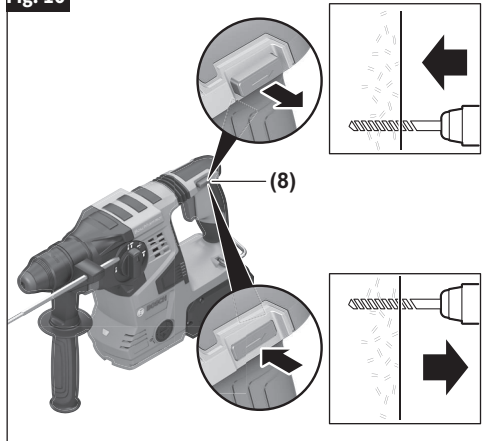
⚠ MISE EN GARDE Ne changez pas le sens de rotation avant que l'outil ne se soit arrêté complètement. Un déplacement pendant la rotation du mandrin peut endommager l'outil.

(Fig. 10)

Votre outil est équipé d'un levier pour régler le fonctionnement vers l'avant/en sens inverse et d'un verrou de gâchette 8 situé au-dessus de la gâchette (Fig. 10). Ce levier est conçu pour changer la rotation du mandrin et pour verrouiller la gâchette en position désactivée afin de prévenir tout risque de démarrage accidentel ou de décharge accidentelle des piles.

Pour une rotation vers l'avant, (avec le mandrin pointé à l'opposé de l'endroit où vous vous trouvez), déplacez le levier vers l'extrême gauche. Pour changer le sens de rotation, dé-

Fig. 10



placez le Levier à fond vers l'extrême droite. Pour activer le verrouillage de la gâchette, déplacez le levier et mettez-le dans la position centrale d'arrêt.

Cadran de sélection de mode

⚠ MISE EN GARDE Ne vous servez pas du cadran de sélection avant l'arrêt complet de l'outil. Un changement de mode intervenant pendant que le mandrin tourne risquerait d'endommager l'outil.

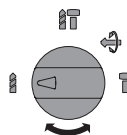
(Fig. 11)

Le cadran de sélection de mode permet de régler l'outil en fonction de diverses applications, conformément aux indications du tableau suivant (Fig. 11).

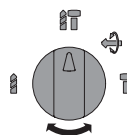
Lorsque vous utilisez des embouts de démolition ou de burinage tels que des pics, des burins, des bêches, des ciseaux, etc., le mode « Hammer Only / Marteau seulement » doit être sélectionné.

Fig. 11

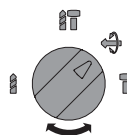
Perçage seulement :
servant à percer dans
le bois, l'acier, etc.



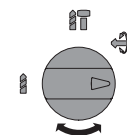
Perçage/martelage :
servant à percer le
béton



Vario-lock :
permet de régler le
martelage de façons



Martelage seulement :
servant au travail peu
exigeant de burinage



Consignes de fonctionnement

“Vario-Lock”

(Fig. 12)

La position Vario-Lock est conçue pour emploi avec des embouts burineurs tels que des pointes à tête hémisphérique, des forets plats, des embouts cannelés, etc. Choisissez la position qui est la plus appropriée pour votre activité.

Faites tourner le cadran de réglage du mode pour le mettre dans la position « vario-lock ». Puis faites tourner le manchon de verrouillage avec l'accessoire pour le mettre dans la position désirée. Ensuite, faites tourner le cadran de réglage du mode dans la position « percussion seulement » et faites tourner légèrement le manchon de verrouillage pour qu'il se verrouille automatiquement dans une position définie.

Embrayage de sécurité

L'outil est muni d'un embrayage de sécurité interne réglé en usine. La broche de sortie cessera de tourner si l'accessoire se coince et cause une surcharge pour l'outil.

Contrôle des risques de rebond

La fonctionnalité de fermeture rapide permet un meilleur contrôle et améliore le confort de l'utilisateur. L'outil électrique s'éteint automatiquement en cas de rotation soudaine et inattendue de l'outil autour de l'axe de perçage (par exemple, si la mèche se coince dans de l'acier renforcé ou se bloque dans un coin). Pour remettre la machine en marche, relâchez l'interrupteur de marche/arrêt, puis réactivez-le.

La fonction de contrôle des risques de rebond ne peut s'activer que lorsque l'outil électrique fonctionne à la vitesse maximum et quand il peut tourner librement autour de l'axe du foret de perçage.

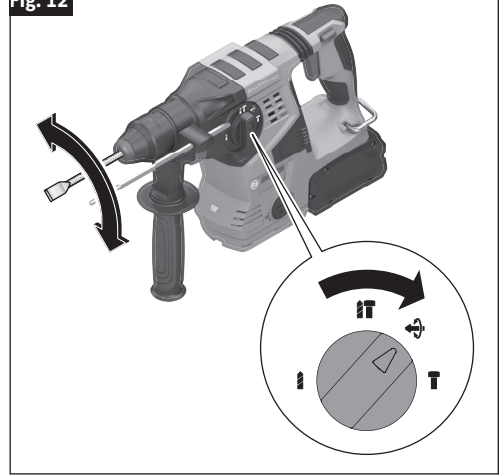
Conseil relatifs à l'utilisation de l'outil

Suivez ces quelques conseils très simples pour réduire l'usure de l'outil et les risques de blessure de l'opérateur.

REMARQUE : L'efficacité élevée des marteaux rotatifs ne peut être obtenue que si des accessoires tranchants et en bon état sont utilisés. Le “coût” de l'entretien d'accessoires tranchants en bon état est plus que compensé par le « gain de temps » résultant de l'emploi de l'outil avec des accessoires tranchants.

Vous prolongerez la durée de vie de vos embouts et vous ferez un travail plus soigné si vous mettez toujours l'embout en contact avec l'ouvrage AVANT de tirer sur la gâchette. Pendant le fonctionnement, tenez fermement la perceuse et exercez une pression constante, mais modérée. Une pression excessive à basse vitesse fera caler le marteau. Une pression insuffisante empêchera l'embout de couper et causera des frottements

Fig. 12



excessifs en glissant sur la surface. Ceci pourrait causer des dommages à la perceuse aussi bien qu'à la mèche.

Les tiges de tous les mèches de perçage doivent être nettoyées avant leur utilisation et tout de suite après leur retrait.

Souvenez-vous de ces instructions pour pouvoir utiliser l'outil en toute sécurité :

1. Certains matériaux nécessitent des vitesses de perçage lentes, tandis que d'autres nécessitent des vitesses plus rapides afin de produire les meilleurs résultats possibles.
2. Tous les ouvrages doivent être supportés ou sécurisés avant de commencer le perçage et une pression constante et uniforme doit être appliquée dans le sens du mouvement de la mèche de perçage.
3. Lorsque la mèche atteint le côté opposé, réduisez la pression et continuez à laisser tourner la mèche à vide pendant son retrait.

Des matériaux tels que le verre, la porcelaine, la céramique, les carreaux, les plastiques, etc. doivent être percés à faible vitesse, avec des embouts spécialement conçus et l'application de lubrifiants appropriés.

Consignes de fonctionnement

Perçage de maçonnerie

Utilisez un embout à pointe au carbure pour maçonnerie si vous devez couper des blocs de béton de mâchefer, du mortier, de pierre tendre et d'autres matériaux de ce genre. La pression à exercer dépend du type de matériau à percer. Les matériaux tendre nécessitent moins de pression que les matériaux durs pour éviter que la mèche de la perceuse ne tourne à vide.

Perçage de bois ou de plastique

Si vous n'utilisez pas de bloc de support, relâchez la pression juste avant que la mèche ne perce le côté opposé du bois pour éviter l'éclatement du matériau à proximité du trou. Effectuez la finition du trou depuis le côté opposé immédiatement après que la mèche aura fini de percer le trou. Si la mèche se coince, inversez le sens de rotation de la mèche afin de faciliter son retrait de l'ouvrage.

Perçage de métal

Le poinçon central marque le centre du trou pour faciliter le démarrage. Exercez suffisamment de pression pour permettre à la mèche de continuer à couper. Si vous laissez la mèche tourner à vide dans le trou, elle s'émoussera au bout de très peu de temps. Lorsque vous percez un trou de grand diamètre, faites un petit trou pour commencer et agrandissez-le progressivement pour atteindre la taille requise. Ceci sera plus rapide et consommera moins d'énergie. Lubrifiez occasionnellement la pointe de la mèche avec de l'HUILE DE COUPE pour pouvoir percer plus facilement le métal. Si la mèche se coince, inversez le sens de rotation de la mèche afin de faciliter son retrait de l'ouvrage.

Accrochage de l'outil électrique

(Fig. 13)

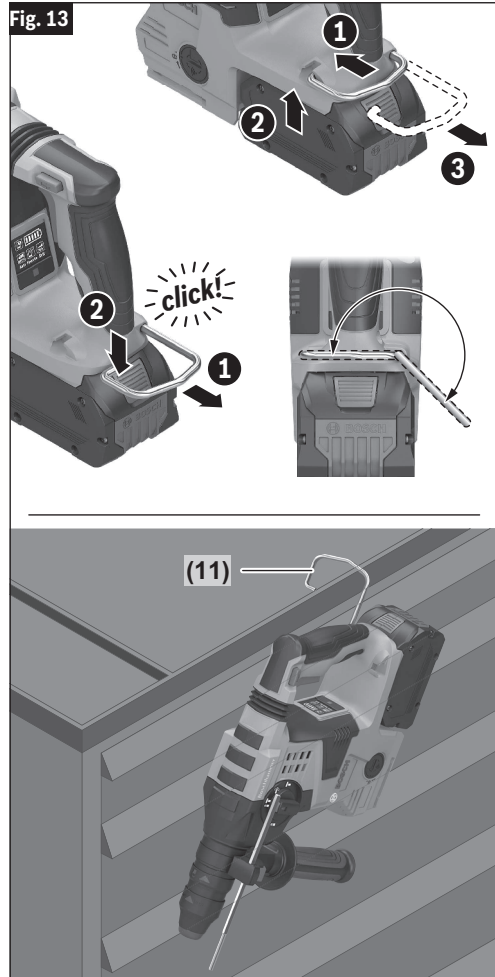
Vous pouvez utiliser le crochet de suspension **11** pour fixer l'outil électrique à un dispositif de suspension approprié.

- Poussez brièvement le crochet de suspension **11** vers la poignée **9** pour relâcher le mécanisme de verrouillage. Le crochet de suspension se déploiera tout seul vers l'arrière.
- Tournez le crochet de suspension sur le côté.
- Vérifiez que le crochet de suspension **11** n'est pas endommagé ou déformé.

N'utilisez pas le crochet de suspension **11** s'il est endommagé ou déformé, ou s'il n'est plus fermement fixé à l'outil électrique.

- Utilisez le crochet de suspension **11** pour fixer l'outil électrique à un dispositif de suspension.

Fig. 13



Pour éviter tout dommage ou blessure, le dispositif de suspension ne doit pas être fixé au-dessus de zones de passage ou de zones de travail immédiates.

Le crochet de suspension est destiné uniquement à suspendre l'outil électrique, y compris ses accessoires.

- Retournez le crochet de suspension **11** et poussez-le avec une légère pression vers l'avant et vers le bas pour le mettre dans la position de verrouillage lorsque vous travaillez avec l'outil électrique.

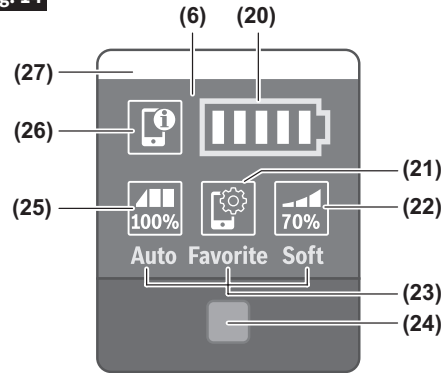
Consignes de fonctionnement

Interface utilisateur

(Fig. 14)

L'interface utilisateur **6** est utilisée pour sélectionner le mode de travail et pour indiquer le statut de l'outil électrique.

Fig. 14



Indications de fonctionnement

État de fonctionnement de l'outil électrique (27)	Signification/cause	Solution
Vert	Outil prêt à fonctionner	–
Juane	La température critique a été atteinte ou la pile rechargeable est presque complètement déchargée.	Laissez refroidir l'outil électrique, ou remplacez ou rechargez la pile
Rouge	L'outil a surchauffé ou la pile rechargeable est complètement déchargée.	Laissez refroidir l'outil électrique, ou remplacez ou rechargez la pile
Rouge	Le moteur est bloqué, la pile est insuffisamment chargée.	Chargez la pile ou utilisez le type de pile recommandé
	Erreur générale	– Éteignez et rallumez l'outil électrique, ou retirez la pile et remettez-la en place. Si l'erreur persiste : – Envoyez l'outil électrique au service après-vente.
Clignotant en rouge	Le contrôle du risque de choc en retour est déclenché.	Mettez l'outil électrique hors tension, puis à nouveau sous tension.
Clignotant en bleu	L'outil électrique est connecté à un appareil mobile via Bluetooth®. ou les paramètres sont en train d'être transférés	–

Consignes de fonctionnement

Témoin d'état de charge des piles (interface) (20)	Signification/cause	Solution
Vert (2 à 5 barres)	Pile chargée	–
Jaune (1 barre)	La pile est presque complètement déchargée	Remplacez la pile ou rechargez-la très bientôt.
Rouge (1 barre)	Pile déchargée	Remplacez la pile ou rechargez-la.

Indicateur d'état de fonctionnement du téléphone intelligent (26)	Signification/cause	Solution
Blanc	Informations importantes disponibles (par exemple, avertissement relatif à la température)	Lisez le message sur le téléphone intelligent.

Bouton de mode de travail (24)

Sélection du mode de travail :

Appuyez sur le bouton **(24)** pour sélectionner le mode de travail à plusieurs reprises jusqu'à ce que le mode de travail souhaité s'allume.

Remarque : En mode de travail Favori, les fonctions sont configurées via l'application du téléphone intelligent, tandis que les fonctions sont prédéfinies dans le mode de travail **Auto**.

Indicateur du mode de travail (23)	Fonctions
Auto L'indicateur de performance maximale 25 s'allume	En mode de travail Automatique , l'outil électrique atteint sa performance maximale lors du perçage au marteau à la vitesse de montée en puissance maximale.
Soft L'indicateur de performance réduite 22 s'allume	En mode de travail Doux , les performances et la vitesse de montée en puissance de l'outil électrique sont réduites lors du perçage au marteau.
Favorite L'indicateur de configuration de la vitesse via l'application de téléphone intelligent 21 s'allume	En mode de travail Favori , les performances et la vitesse de montée en puissance de l'outil électrique peuvent être configurées individuellement via une application de téléphone intelligent.

Connectivité

Bluetooth®

⚠ AVERTISSEMENT Contrôlez toujours le réglage des paramètres de l'outil avant de vous en servir. Ce réglage peut être différent de la dernière fois que l'outil a été utilisé. Le module de connectivité permet le transfert de données et de paramètres grâce à la technologie sans fil Bluetooth®. Après avoir installé le module, certains paramètres de réglage de l'outil peuvent être changés à distance par un dispositif Bluetooth® apparié, avec l'appli installée de l'utilisateur.

⚠ AVERTISSEMENT Cet outil est équipé d'une interface radio. Il faut observer les restrictions d'utilisation locales, p. ex., dans les établissements militaires ou les hôpitaux. Les émetteurs ont démontré une capacité d'interférence non intentionnelle avec d'autres dispositifs.

LA SÉCURITÉ AVANT TOUT!

POUR ASSURER SA SÉCURITÉ, L'UTILISATEUR DOIT FAIRE PREUVE DE BON SENS ET DE VIGILANCE PENDANT TOUT LE TEMPS DURANT LEQUEL IL SE SERT DE L'OUTIL.

Fonctions de connectivité

Configuration du système requise pour l'utilisation de l'application

Configuration du système requise

Dispositif mobile (tablette, téléphone intelligent)	Android 6.0 (and newer) iOS 11 (and newer)
---	---

Installation et configuration de l'appli

Vous devez installer l'application spécifique au dispositif avant de pouvoir utiliser les fonctions de connectivité.

- Téléchargez l'appli en vous rendant dans la boutique d'applications correspondante (Apple App Store, Google Play Store).

Remarque : Pour ce faire, vous devez disposer d'un compte utilisateur auprès de la boutique d'applications concernée.

App name	iOS	Android
Bosch Toolbox		

- Sélectionnez ensuite la sous-rubrique MyTools ou Connectivity dans l'application.
- L'écran de votre dispositif mobile affiche toutes les étapes à suivre ultérieurement pour connecter l'outil électrique au dispositif mobile.

En conjonction avec le module Bluetooth® à faible consommation d'énergie GCY 42, les fonctions de connectivité suivantes sont disponibles avec l'application Bosch Toolbox pour l'outil électrique :

- Enregistrement
- Personnalisation du mode de travail Favori (performance et comportement)
- Paramètres de l'outil (par exemple, durée de fonctionnement du système d'aspiration des poussières, paramètres de la lampe de travail)
- Contrôle de l'état de fonctionnement, production de messages d'avertissement
- Informations générales
- Gestion

Lisez les instructions d'utilisation correspondantes pour toutes informations sur le module Bluetooth® à faible consommation d'énergie GCY 42.

Le symbole du téléphone intelligent **26** s'allume si l'outil électrique envoie des informations (par exemple, un avertissement relatif à la température) à un appareil mobile par le biais de la technologie sans fil Bluetooth®.

Désactivation de la fonction de connectivité

- Avec le module Bluetooth® à faible consommation d'énergie, l'outil électrique est équipé d'une interface radio. Il faut observer les restrictions d'utilisation locales, p. ex., dans les avions ou dans les hôpitaux.

Remarque : Le cache **13** ne peut être fermé en toute sécurité que si le module Bluetooth® à faible consommation d'énergie et la pile en forme de bouton sont situés dans l'outil électrique.

- Pour désactiver le module Bluetooth® à faible consommation d'énergie, faites tourner la pile en forme de bouton ou placez un matériau isolant entre la pile en forme de bouton et le module Bluetooth® à faible consommation d'énergie.
- Fermez le cache **13** pour prévenir la pénétration de saleté.

Connectivité

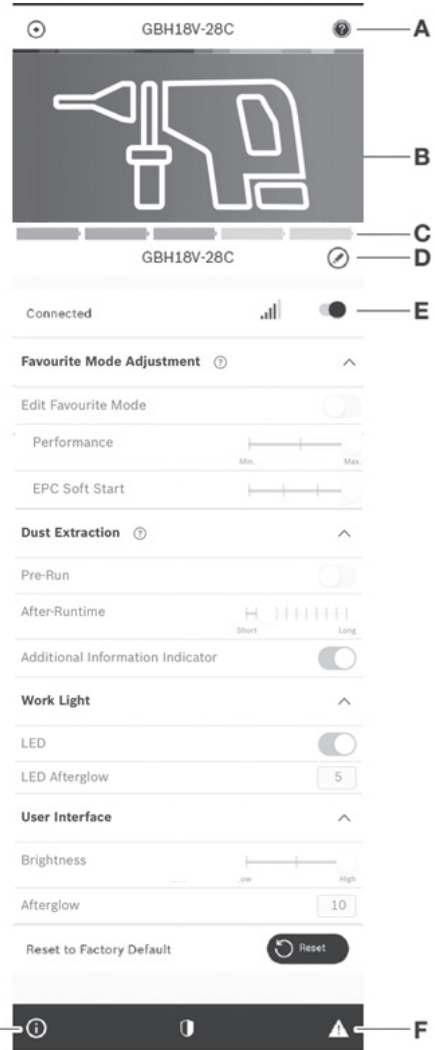
Utilisation de l'appli « Bosch Toolbox »

Installez l'application « Bosch Toolbox » sur votre appareil mobile ou assurez-vous que vous exécutez la dernière version de l'application.

Lancez l'application « Bosch ToolBox » sur votre dispositif mobile et cliquez sur l'icône/la tuile « My Tools ». Suivez les instructions de l'application pour appairer l'outil avec le dispositif mobile.

Après avoir apparié votre outil avec un dispositif mobile, vous pouvez ajuster certaines fonctions ou vérifier le statut de l'outil électrique en utilisant l'appli Bosch Toolbox.

- A. Bouton d'aide** – appuyez sur ce bouton pour afficher l'écran d'aide.
- B. Photo de l'outil** – appuyez sur la photo pour personnaliser la photographie de l'outil.
- C. Statut de charge des piles de l'outil électrique** – le nombre de « piles » vertes indique le niveau de charge estimé pour le bloc-piles.
- D. Surnom de l'outil électrique** – appuyez sur l'icône de crayon pour personnaliser le surnom de l'outil. Vous pouvez faire la même chose lorsque vous changez la photo de l'outil.
- E. Barre de statut de connexion** – Ici vous pouvez voir la force de la connexion (signal) indiquée par des barres verticales. Vous pouvez utiliser l'interrupteur à bascule pour déconnecter l'outil de votre dispositif mobile.
- F. Alertes relatives à l'outil** – Appuyez sur « triangle d'alertes » pour afficher toutes les alertes reçues par l'outil.
- G. Bouton Info** – Affiche les informations et spécifications de l'outil.



Extraction de la poussière

Pour la sélection des systèmes de collecte de la poussière et pour lire le mode d'emploi, consultez le document intitulé « Mode d'emploi / Consignes de sécurité » relatif aux « Attachements d'extraction de poussière pour marteaux ordinaires et marteaux perforateurs » accompagnant votre outil ou l'attachement d'extraction de poussière.

Un attachement de collecte de poussière Bosch GDE18V-16 (vendu séparément) peut être utilisé avec ce marteau rotatif. Veuillez lire les instructions d'utilisation/consignes de sécurité de l'attachement GDE18V-16 pour obtenir des informations détaillées.

Entretien

⚠ AVERTISSEMENT Pour éviter les accidents, débranchez toujours l'outil et/ou le chargeur de la source de courant avant de nettoyer.

Service

⚠ AVERTISSEMENT IL N'EXISTE À L'INTÉRIEUR AUCUNE PIÈCE SUSCEPTIBLE D'ÊTRE ENTRE TENUE PAR L'UTILISATEUR. L'entretien préventif exécuté par des personnes non autorisés peut entraîner un positionnement erroné des composants et des fils internes, ce qui peut présenter de graves dangers. Nous recommandons de confier toute intervention d'entretien sur l'outil à un centre de service-usine Bosch ou à un centre de service après-vente Bosch agréé. TECHNICIENS : Débranchez l'outil et/ou le chargeur de la source de courant avant d'entretenir.

Piles

Faire attention aux blocs-piles qui approchent la fin de leur vie. Si vous remarquez une diminution dans les performances de votre outil ou une durée de fonctionnement réduite de manière significative entre charges, il est temps de remplacer le bloc-piles. S'il n'est pas remplacé, il se peut qu'il endommage le chargeur ou que l'outil fonctionne incorrectement.

Graissage de l'outil

Votre outil Bosch a été graissé de manière appropriée et il est prêt à l'usage.

Moteurs

Le moteur de votre outil a été conçu pour de nombreuses heures d'utilisation fiable. Pour maintenir l'efficacité maximale du

moteur, nous recommandons de l'examiner tous les six mois. Seul un moteur de remplacement Bosch authentique, conçu spécialement pour votre outil, doit être utilisé.

Remplacement de la pile bouton intégrée

⚠ AVERTISSEMENT La pile bouton doit toujours être remplacée par une pile bouton du même type. L'utilisation d'une autre pile bouton peut endommager l'outil et entraîner d'autres dommages matériels et corporels.

Vous serez averti(e) via l'application Bosch Toolbox si la pile bouton est trop faible ou si elle est déchargée. Le remplacement de la pile bouton doit être effectué par Bosch ou par un centre de service après-vente autorisé à travailler avec les outils électriques Bosch.

Nettoyage

⚠ MISE EN GARDE Certains agents de nettoyage et certains dissolvants abîment les pièces en plastique. Parmi ceux-ci se trouvent: l'essence, le tétrachlorure de carbone, les dissolvants de nettoyage chlorés, l'ammoniaque ainsi que les détergents domestiques qui en contiennent.

Les prises d'air et les leviers de commutation doivent être gardés propres et exempts de corps étrangers. Ne tentez pas de nettoyer en insérant des objets pointus à travers l'ouverture.

Accessoires

⚠ AVERTISSEMENT N'utilisez pas d'attachements/d'accessoires autres que ceux qui sont spécifiés par Bosch. L'utilisation d'attachements/d'accessoires non spécifiés pour une utilisation avec l'outil décrit dans ce mode d'emploi peut entraîner des dommages à l'outil, des dommages matériels ou des blessures corporelles.

Ranger les accessoires dans un environnement sec et tempéré pour éviter les risques de corrosion et de détérioration.

Équipement standard	Accessoire en option
<ul style="list-style-type: none">- Poignée auxiliaire 360°- Guide de profondeur	<ul style="list-style-type: none">- Mandrin 3 mors- Attachements d'extraction de la poussière



Símbolos de seguridad

Las definiciones que aparecen a continuación describen el nivel de gravedad de cada palabra de señal de seguridad. Por favor, lea el manual y preste atención a estos símbolos.

	Éste es el símbolo de alerta de seguridad. Se utiliza para alertarle a usted de posibles peligros de lesiones corporales. Obedezca todos los mensajes de seguridad que sigan a este símbolo para evitar posibles lesiones o muerte.
	PELIGRO indica una situación peligrosa que, si no se evita, causará la muerte o lesiones graves.
	ADVERTENCIA indica una situación peligrosa que, si no se evita, podría causar la muerte o lesiones graves.
	PRECAUCIÓN indica una situación peligrosa que, si no se evita, podría causar lesiones leves o moderadas.

Advertencias generales de seguridad para herramientas mecánicas

ADVERTENCIA Lea todas las advertencias de seguridad, instrucciones, ilustraciones y especificaciones suministradas con esta herramienta eléctrica. Si no se siguen todas las instrucciones que se indican a continuación, es posible que el resultado sea descargas eléctricas, incendio y/o lesiones graves.

GUARDE TODAS LAS ADVERTENCIAS E INSTRUCCIONES PARA REFERENCIA FUTURA

La expresión "herramienta mecánica" en las advertencias se refiere a su herramienta mecánica alimentada por la red eléctrica (herramienta alámbrica) o su herramienta mecánica alimentada por baterías (herramienta inalámbrica).

1. Seguridad del área de trabajo

- a. **Mantenga el área de trabajo limpia y bien iluminada.** Las áreas desordenadas u oscuras invitan a que se produzcan accidentes.
- b. **No utilice herramientas mecánicas en atmósferas explosivas, como por ejemplo en presencia de líquidos, gases o polvos inflamables.** Las herramientas mecánicas generan chispas que pueden incendiar el polvo o los vapores.
- c. **Mantenga alejados a los niños y a las personas que estén presentes mientras esté utilizando una herramienta mecánica.** Las distracciones pueden hacerle perder el control de la herramienta.

2. Seguridad eléctrica

- a. **Los enchufes de las herramientas mecánicas deben coincidir con el tomacorriente. No modifique nunca el enchufe de ningún modo. No use enchufes adaptadores con herramientas mecánicas conectadas a tierra (puestas a tierra).** Los enchufes no modificados y los tomacorrientes coincidentes reducirán el riesgo de sacudidas eléctricas.
- b. **Evite el contacto del cuerpo con las superficies conectadas o puestas a tierra, tales como tuberías, radiadores, estufas y refrigeradores.** Hay un aumento del

riesgo de sacudidas eléctricas si el cuerpo del operador se conecta o pone a tierra.

- c. **No exponga las herramientas mecánicas a la lluvia o a condiciones mojadas.** La entrada de agua en una herramienta mecánica aumentará el riesgo de que se produzcan sacudidas eléctricas.
- d. **No maltrate el cordón de energía. No use nunca el cordón para transportar la herramienta mecánica, tirar de ella o desenchufarla. Mantenga el cordón alejado del calor, el aceite, los bordes afilados o las piezas móviles.** Los cordones dañados o enganchados aumentan el riesgo de que se produzcan sacudidas eléctricas.
- e. **Cuando utilice una herramienta mecánica en el exterior, use un cordón de extensión adecuado para uso a la intemperie.** La utilización de un cordón adecuado para uso a la intemperie reduce el riesgo de que se produzcan sacudidas eléctricas.
- f. **Si es inevitable utilizar una herramienta mecánica en un lugar húmedo, utilice una fuente de energía protegida por un interruptor de circuito accionado por corriente de pérdida a tierra (GFCI).** El uso de un GFCI reduce el riesgo de sacudidas eléctricas.

3. Seguridad personal

- a. **Manténgase alerta, fíjese en lo que está haciendo y use el sentido común cuando esté utilizando una herramienta mecánica. No use una herramienta mecánica**



Advertencias generales de seguridad para herramientas mecánicas

cuando esté cansado o bajo la influencia de drogas, alcohol o medicamentos. Un momento de distracción mientras esté utilizando herramientas mecánicas podría causar lesiones corporales graves.

- b. **Use equipo de protección personal. Use siempre protección de los ojos.** El equipo de protección, como por ejemplo una máscara antipolvo, calzado de seguridad antideslizante, casco o protección de oídos, utilizado para las condiciones apropiadas, reducirá las lesiones corporales.
- c. **Evite el arranque accidental. Asegúrese de que el interruptor esté en la posición de apagado antes de conectar la herramienta a la fuente de energía y / o al paquete de batería, levantar la herramienta o transportarla.** Transportar herramientas mecánicas con un dedo en el interruptor o encender herramientas mecánicas que tengan el interruptor en la posición de encendido invita a que se produzcan accidentes.
- d. **Quite todas las llaves de ajuste o de tuerca antes de encender la herramienta mecánica.** Una llave de tuerca o de ajuste que se deje colocada en una pieza giratoria de la herramienta mecánica podría causar lesiones corporales.
- e. **No intente alcanzar demasiado lejos. Mantenga un apoyo de los pies y un equilibrio apropiados en todo momento.** Esto permite controlar mejor la herramienta mecánica en situaciones inesperadas.
- f. **Vístase adecuadamente. No use ropa holgada ni alhajas holgadas. Mantenga el pelo y la ropa de las piezas móviles.** La ropa holgada, las alhajas holgadas o el pelo largo pueden quedar atrapados en las piezas móviles.
- g. **Si se proporcionan dispositivos para la conexión de instalaciones de extracción y recolección de polvo, asegúrese de que dichas instalaciones estén conectadas y se usen correctamente.** El uso de dispositivos de recolección de polvo puede reducir los peligros relacionados con el polvo.

4. Uso y cuidado de las herramientas mecánicas

- a. **No fuerce la herramienta mecánica. Use la herramienta mecánica correcta para la aplicación que desee realizar.** La herramienta mecánica correcta hará el trabajo mejor y con más seguridad a la capacidad nominal para la que fue diseñada.
- b. **No use la herramienta mecánica si el interruptor no la enciende y apaga.** Toda herramienta mecánica que no se pueda controlar con el interruptor es peligrosa y debe ser reparada.
- c. **Desconecte el enchufe de la fuente de alimentación y/o retire el paquete de batería de la herramienta eléctrica antes de hacer cualquier ajuste, cambiar accesorios**

o almacenar herramientas eléctricas. Dichas medidas preventivas de seguridad reducen el riesgo de arrancar accidentalmente la herramienta mecánica.

- d. **Guarde las herramientas que no esté usando fuera del alcance de los niños y no deje que personas que no estén familiarizadas con la herramienta mecánica o con estas instrucciones utilicen la herramienta.** Las herramientas mecánicas son peligrosas en manos de usuarios que no hayan recibido capacitación.
- e. **Mantenga las herramientas eléctricas y sus accesorios. Compruebe si hay piezas móviles desalineadas o atoradas, si hay piezas rotas y cualquier otra situación que pueda afectar al funcionamiento de la herramienta eléctrica. Si la herramienta eléctrica está dañada, haga que sea reparada antes de utilizarla.** Muchos accidentes son causados por herramientas mecánicas mantenidas deficientemente.
- f. **Mantenga las herramientas de corte afiladas y limpias.** Es menos probable que las herramientas de corte mantenidas apropiadamente, con bordes de corte afilados, se atoren, y dichas herramientas son más fáciles de controlar.
- g. **Utilice la herramienta mecánica, los accesorios, las brocas de la herramienta, etc., de acuerdo con estas instrucciones, teniendo en cuenta las condiciones de trabajo y el trabajo que se vaya a realizar.** El uso de la herramienta mecánica para operaciones distintas a aquéllas para las que fue diseñada podría causar una situación peligrosa.
- h. **Mantenga las manijas y las superficies de agarre secas, limpias y libres de aceite y grasa.** Los mangos resbaladizos y las superficies de agarre no permiten un manejo y control seguros de la herramienta en situaciones inesperadas.

5. Uso y cuidado de las herramientas alimentadas por baterías

- a. **Recargue las baterías solamente con el cargador especificado por el fabricante.** Un cargador que es adecuado para un tipo de paquete de batería puede crear un riesgo de incendio cuando se utiliza con otro paquete de batería.
- b. **Utilice las herramientas mecánicas solamente con paquetes de batería designados específicamente.** El uso de cualquier otro paquete de batería puede crear un riesgo de lesiones e incendio.
- c. **Cuando el paquete de batería no se esté usando, manténgalo alejado de otros objetos metálicos, tales como sujetapapeles, monedas, llaves, clavos, tornillos u otros objetos metálicos pequeños que pueden hacer una conexión de un terminal a otro.** Si se cortocircuitan los terminales de la batería uno con otro, se pueden causar quemaduras o un incendio.



Advertencias generales de seguridad para herramientas mecánicas

- d. **En condiciones abusivas, es posible que se eyecte líquido de la batería. Evite el contacto. Si se produce un contacto accidental, enjuáguese con agua. Si el líquido entra en contacto con los ojos, obtenga además ayuda médica.** El líquido que salga eyectado de la batería puede causar irritación o quemaduras.
- e. **No utilice un paquete de batería o una herramienta que hayan sido dañados o modificados.** Es posible que las baterías dañadas o modificadas exhiban un comportamiento impredecible que cause un incendio, una explosión o riesgo de lesiones.
- f. **No exponga un paquete de batería o una herramienta a un fuego o una temperatura excesiva.** Es posible que la exposición a un fuego o una temperatura superior a 265 °F cause una explosión.
- g. **Siga todas las instrucciones de carga y no cargue el paquete de batería ni la herramienta fuera del intervalo**

de temperatura especificado en las instrucciones. Es posible que realizar una carga incorrectamente o a temperaturas que estén fuera del intervalo especificado dañe la batería y aumente el riesgo de incendio.

6. Servicio de ajustes y reparaciones

- a. **Haga que su herramienta mecánica reciba servicio de un técnico de reparaciones calificado, utilizando únicamente piezas de repuesto idénticas.** Esto asegurará que se mantenga la seguridad de la herramienta mecánica.
- b. **No haga nunca servicio de ajustes y reparaciones de paquetes de batería dañados.** El servicio de ajustes y reparaciones de los paquetes de batería deberá ser realizado únicamente por el fabricante o por proveedores de servicio autorizados.

Advertencias de seguridad para martil

1. Instrucciones de seguridad para todas las operaciones

- a. **Use protectores de oídos.** La exposición al ruido puede causar pérdida de audición.
- b. **Utilice el mango o mangos auxiliares si se suministran con la herramienta.** La pérdida de control puede causar lesiones corporales.
- c. **Sujete firmemente la herramienta antes de utilizarla.** Esta herramienta produce una elevada fuerza de torsión de salida y si no se sujeta adecuadamente durante su utilización, es posible que ocurra una pérdida de control que cause lesiones personales.
- d. **Agarre la herramienta eléctrica por las superficies de agarre con aislamiento cuando realice una operación en la que el accesorio de corte pueda entrar en contacto con cables ocultos.** El accesorio de corte que entre en contacto con un cable que tenga corriente puede hacer que las partes metálicas de la herramienta eléctrica que estén al descubierto tengan corriente y podrían causar una descarga eléctrica al operador.
- e. **Use abrazaderas u otro modo práctico de sujetar y soportar la pieza de trabajo en una plataforma estable.** Si se sujeta la pieza de trabajo con la mano o contra el cuerpo, se crea una situación inestable que podría causar pérdida de control.
- f. **No taladre, rompa, ni haga trabajo de sujeción en paredes existentes ni en otras áreas ciegas donde pueda haber cables eléctricos.** Si esta situación es inevitable,

desconecte todos los fusibles o cortacircuitos que alimentan este sitio de trabajo.

- g. **Use siempre gafas de seguridad o protección de los ojos cuando utilice esta herramienta.** Use una máscara antipolvo o un respirador para aplicaciones que generan polvo.
- h. **Utilice un detector de metales para determinar si hay tuberías de gas o de agua ocultas en el área de trabajo o llame a la compañía local de servicios públicos para obtener asistencia antes de comenzar la operación.** Golpear o cortar una tubería de gas producirá una explosión. La entrada de agua en un dispositivo eléctrico puede causar electrocución.
- i. **Utilice siempre el mango auxiliar para tener un control máximo sobre la reacción de par motor o retroceso. Nunca intente manejar esta herramienta con una mano.** El embrague deslizante se acopla si usted controla firmemente la herramienta durante una reacción de par motor o retroceso.
- j. **Use guantes con almohadillado grueso y limite el tiempo de exposición tomando frecuentes períodos de descanso.** La vibración causada por la acción de percusión y taladrado puede ser perjudicial para las manos y los brazos.
- k. **Fije el material que se está taladrando.** Nunca lo tenga en las manos ni sobre las piernas. Un soporte inestable puede hacer que la broca taladradora se atasque, causando pérdida de control y lesiones.
- l. **Desconecte el paquete de batería de la herramienta antes de realizar cualquier ensamblaje, ajuste o cambio**





Advertencias de seguridad para martil

- de accesorios.** Dichas medidas preventivas de seguridad reducen el riesgo de arrancar la herramienta accidentalmente.
- m. **Sitúese de modo que evite ser atrapado entre la herramienta o el mango lateral y las paredes o los postes.** Si la broca se atasca o se engancha en la pieza de trabajo, el par motor de reacción de la herramienta podría aplastarle la mano o la pierna.
 - n. **Si la broca se atasca en la pieza de trabajo, suelte el gatillo inmediatamente, invierta el sentido de giro y apriete lentamente el gatillo para sacar la broca.** Está preparado para un fuerte par motor de reacción. El cuerpo del taladro tenderá a torcerse en sentido contrario al del giro de la broca.
 - o. **No golpee la broca con un martillo de mano ni con un mazo para intentar soltar una broca atorada o enganchada.** Se podrían soltar fragmentos de metal de la broca y golpearle a usted o golpear a las personas que se encuentren presentes.
 - p. **Nunca deje la herramienta en ningún lugar hasta que la broca o el accesorio se haya detenido por completo.**
 - q. **No agarre la herramienta ni ponga las manos demasiado cerca del mandril o la broca taladradora que gira.** Podría sufrir laceraciones en la mano.
 - r. **Al instalar una broca taladradora, introduzca el cuerpo de la broca bien a fondo entre las mordazas del mandril.** Si la broca no se introduce hasta una profundidad suficiente, se reduce el agarre de las mordazas sobre la broca y se aumenta la pérdida de control.
 - s. **No utilice brocas ni accesorios desafilados o dañados.** Las brocas o accesorios desafilados o dañados tienen mayor tendencia a atascarse en la pieza de trabajo.
 - t. **Al sacar la broca de la herramienta, evite el contacto con la piel y use guantes protectores adecuados al agarrar la broca o el accesorio.** Los accesorios pueden estar calientes después de un uso prolongado.
 - u. **Compruebe que las llaves de ajuste y de tuerca se hayan quitado del taladro antes de encender la herramienta.** Las llaves de ajuste o de tuerca pueden salir despedidas a gran velocidad y golpearle a usted o golpear a alguien que se esté presente.
 - v. **No tenga en marcha la herramienta mientras lo lleva a su lado.** Una broca taladradora que gira podría engancharse en la ropa y producir lesiones.
 - w. **Si se proporcionan dispositivos para la conexión de sistemas de recolección y extracción de polvo, vacíe el recipiente colector de polvo antes de comenzar el trabajo, frecuentemente durante el trabajo, después de completar el trabajo y antes de almacenar la herramienta.** Tenga sumo cuidado al desechar el polvo, ya que es posible que los materiales en forma de partículas finas sean explosivos.
 - x. **No arroje polvo a un fuego al descubierto.** Puede ocurrir combustión de la mezcla de barnices, lacas, poliuretano, aceite o agua con partículas de polvo si hay una descarga de electricidad estática, una chispa eléctrica o calor excesivo.
 - y. **No utilice extracción de polvo para operaciones en las que el polvo pueda incluir cosas que se estén quemando, que estén humeando o que estén ardiendo sin llama, como cenizas calientes o chispas.** Puede que ocurra un incendio dentro de la caja colectora de polvo. Es posible que el polvo arda sin llama e incendie el dispositivo mucho después de haber completado el trabajo.
 - z. **No utilice extracción de polvo con polvos explosivos, barniz, recubrimientos de poliuretano, limpiadores o pinturas a base de aceite.** Los motores eléctricos pueden generar chispas, que puede que prendan el polvo o los vapores.
 - aa. **No utilice extracción de polvo cuando trabaje en metal.** Es posible que las virutas producidas al taladrar metal estén calientes y generen chispas, lo cual puede derretir los adaptadores de plástico y las mangueras de aspiración, y puede que cause un incendio dentro del tanque o la bolsa.
 - ab. **No taladre en metal con el sistema de extracción de polvo montado.** Las virutas de metal calientes pueden autoincendiarse o prender las piezas del sistema de extracción de polvo.
 - ac. **No taladre en madera con el sistema de extracción de polvo montado.** Generalmente, las virutas de madera son demasiado grandes y obstruirán el canal de extracción de polvo.
 - ad. **Su herramienta está equipada con un recipiente colector de polvo; vacíelo frecuentemente, después de completar el taladrado y antes de almacenar la herramienta.** Tenga sumo cuidado al desechar el polvo, ya que es posible que los materiales en forma de partículas finas sean explosivos.
 - ae. **Nota: No utilice el sistema de extracción de polvo cuando cincele, apriete tornillos o corte roscas.**

2. Instrucciones de seguridad al usar brocas largas

- a. **Comience a taladrar siempre a velocidad baja y con la punta de la broca en contacto con la pieza de trabajo.** A velocidades más altas es probable que la broca se doble si se deja que rote libremente sin entrar en contacto con la pieza de trabajo, lo cual causará lesiones corporales.



Advertencias de seguridad para martil

- b. **Aplique presión solamente en línea directa con la broca y no aplique una presión excesiva.** Las brocas se pueden doblar y con ello causar rotura o pérdida de control, lo cual provocará lesiones corporales.
- c. **No utilice nunca la herramienta a una velocidad superior a la velocidad nominal máxima de la broca taladradora.** A velocidades más altas es probable que la broca se doble si se deja que rote libremente sin entrar en contacto con la pieza de trabajo, lo cual causará lesiones corporales.

Advertencias de seguridad adicionales

Un GFCI y los dispositivos de protección personal, como guantes de goma y calzado de goma de electricista, mejorarán más su seguridad personal.

No use herramientas mecánicas con capacidad nominal solamente para CA con una fuente de energía de CC. Aunque pueda parecer que la herramienta funciona correctamente, es probable que los componentes eléctricos de la herramienta con capacidad nominal para CA fallen y creen un peligro para el operador.

Mantenga los mangos secos, limpios y libres de aceite y grasa. Las manos resbalosas no pueden controlar de modo seguro la herramienta mecánica.

Desarrolle un programa de mantenimiento periódico de la herramienta. Cuando limpie una herramienta, tenga cuidado de no desmontar ninguna de sus partes, ya que los cables internos podrían reubicarse incorrectamente o pellizcarse, o los resortes de retorno de los protectores de seguridad podrían montarse incorrectamente. Ciertos agentes de limpieza, tales como gasolina, tetracloruro de carbono, amoníaco, etc., podrían dañar las piezas de plástico.

Asegúrese de que el interruptor esté en la posición de apagado antes de introducir el paquete de batería. Si se in-

trduce el paquete de batería en herramientas mecánicas que tengan el interruptor en la posición de encendido, se invita a que se produzcan accidentes.

⚠ ADVERTENCIA **Cierto polvo generado por el lijado, aserrado, amolado y taladrado mecánicos, y por otras actividades de construcción, contiene agentes químicos que se sabe que causan cáncer, defectos de nacimiento u otros daños sobre la reproducción.** Algunos ejemplos de estos agentes químicos son:

- Plomo de pinturas a base de plomo,
- Sílice cristalina de ladrillos y cemento y otros productos de mampostería, y
- Arsénico y cromo de madera tratada químicamente.

Su riesgo por causa de estas exposiciones varía, dependiendo de con cuánta frecuencia realice este tipo de trabajo. Para reducir su exposición a estos agentes químicos: trabaje en un área bien ventilada y trabaje con equipo de seguridad aprobado, como por ejemplo máscaras antipolvo que estén diseñadas especialmente para impedir mediante filtración el paso de partículas microscópicas.

Precaución de la FCC

El fabricante no es responsable de la interferencia radioeléctrica causada por modificaciones no autorizadas a este equipo. Dichas modificaciones podrían anular la autoridad del usuario para utilizar el equipo.

Este dispositivo cumple con la Parte 15 de las Reglas de la FCC. Su funcionamiento está sujeto a las dos condiciones siguientes:

- 1) Este dispositivo no podrá causar interferencia perjudicial y
- 2) Este dispositivo debe aceptar cualquier interferencia recibida, incluyendo interferencia que pueda causar un funcionamiento no deseado.

¡NOTA! Este equipo ha sido sometido a pruebas y se ha comprobado que cumple con los límites para dispositivos digitales de Clase B, conforme a la Parte 15 de las reglas de la FCC. Estos límites están diseñados para proporcionar una pro-

tección razonable contra la interferencia perjudicial en una instalación residencial. Este equipo genera, utiliza y puede emitir energía de radiofrecuencia y, si no se instala y utiliza de acuerdo con las instrucciones, es posible que cause interferencia perjudicial para las radiocomunicaciones. Sin embargo, no hay garantía de que no vaya a ocurrir interferencia en una instalación específica. Si este equipo causa interferencia perjudicial para la recepción de radio o televisión, lo cual se puede determinar apagando y encendiendo el equipo, se insta al usuario a intentar corregir la interferencia mediante una o más de las siguientes medidas:

- Reoriente o reubique la antena receptora.
- Aumente la separación entre el equipo y el receptor.
- Conecte el equipo en un tomacorriente de un circuito distinto al circuito al cual el receptor está conectado.



Industry Canada

- Consulte al distribuidor o a un técnico de radio/TV que tenga experiencia para obtener ayuda.

“Exposición a señales de radiofrecuencia (RF): El dispositivo inalámbrico es un radiotransmisor y radorreceptor. Está diseñado y fabricado para no exceder el límite de emisiones para la exposición a energía de radiofrecuencia (RF) establecido por el Ministerio de Salud (Canadá), Código de Seguridad 6. Estos límites son parte de las directrices exhaustivas y los niveles de energía de RF permitidos que se han establecido para la población general.

Estas directrices se basan en los estándares de seguridad establecidos previamente por los organismos de estándares internacionales. Estos estándares incluyen un margen de se-

guridad sustancial diseñado para garantizar la seguridad de todas las personas, independientemente de su edad o salud.

Este dispositivo y su antena no deben estar coubicados ni funcionando en combinación con ninguna otra antena o transmisor.

Este dispositivo cumple con el estándar o los estándares RSS exentos de licencia de Industry Canada. Su utilización está sujeta a las dos condiciones siguientes:

- (1) este dispositivo no podrá causar interferencia y
- (2) este dispositivo debe aceptar cualquier interferencia, incluyendo interferencia que pueda causar un funcionamiento no deseado del dispositivo.

Especificaciones

Número de modelo	GBH18V-28C
Tensión nominal	18 V
Estilo de vástago	SDS-plus®
Diámetro de taladrado máximo en: Concreto Acero	1-1/8" (28mm) 1/2" (13mm)
Temperatura permitida de la batería durante el proceso de carga	+32...+113°F (0...+45°C)
Temperatura ambiente permitida durante la utilización y el almacenamiento	+5...+122°F (-15...+50°C)
Temperatura ambiente recomendada durante el proceso de carga	+32...+95°F (0...+35°C)

Paquetes de batería/Cargadores de baterías:

Sírvase consultar la lista de baterías/cargadores incluidas con su herramienta.

NOTA: Para obtener las especificaciones de la herramienta, consulte la placa del fabricante colocada en la herramienta.

Extracción de polvo






La herramienta eléctrica está diseñada para realizar taladrado de percusión en concreto, ladrillo y piedra, así como para realizar trabajo de cincelado. También es adecuada para taladrar sin impacto en madera, metal, cerámica y plástico. Las herramientas eléctricas con control electrónico y rotación hacia la derecha/izquierda también son adecuadas para atornillar.

Con el módulo de baja energía Bluetooth® GCY 42 insertado, los datos y los ajustes de la herramienta eléctrica se pueden transferir entre la herramienta eléctrica y un dispositivo móvil por medio de tecnología inalámbrica Bluetooth®.



Símbolos

IMPORTANTE: Es posible que algunos de los símbolos siguientes se usen en su herramienta. Por favor, estúdielos y aprenda su significado. La interpretación adecuada de estos símbolos le permitirá utilizar la herramienta mejor y con más seguridad.

Símbolo	Désignación / Explicación
V	Volt (tensión)
A	Ampere (corriente)
Hz	Hertz (frecuencia, ciclos por segundo)
W	Watt (potencia)
kg	Kilogramo (peso)
min	Minuto (tiempo)
s	Segundo (tiempo)
∅	Diámetro (tamaño de las brocas taladradoras, muelas, etc)
n_0	Velocidad sin carga (velocidad rotacional sin carga)
n	Velocidad nominal (máxima velocidad obtenible)
.../min	Revoluciones o alternación por minuto (revoluciones, golpes, velocidad de superficie, órbitas, etc., por minuto)
0	Posición "off" (velocidad cero, par motor cero...)
1, 2, 3, ... I, II, III,	Graduaciones del selector (graduaciones de velocidad, par motor o posición. Un número más alto significa mayor velocidad)
0 	Selector infinitamente variable con apagado (la velocidad aumenta desde la graduación de 0)
	Flecha (Acción en la dirección de la flecha)
~	Corriente alterna (tipo o una característica de corriente)
==	Corriente continua (tipo o una característica de corriente)
	Corriente alterna o continua (tipo o una característica de corriente)
	Construcción de clase II (designa las herramientas de construcción con aislamiento doble)
	Terminal de toma de tierra (terminal de conexión a tierra)

Símbolos

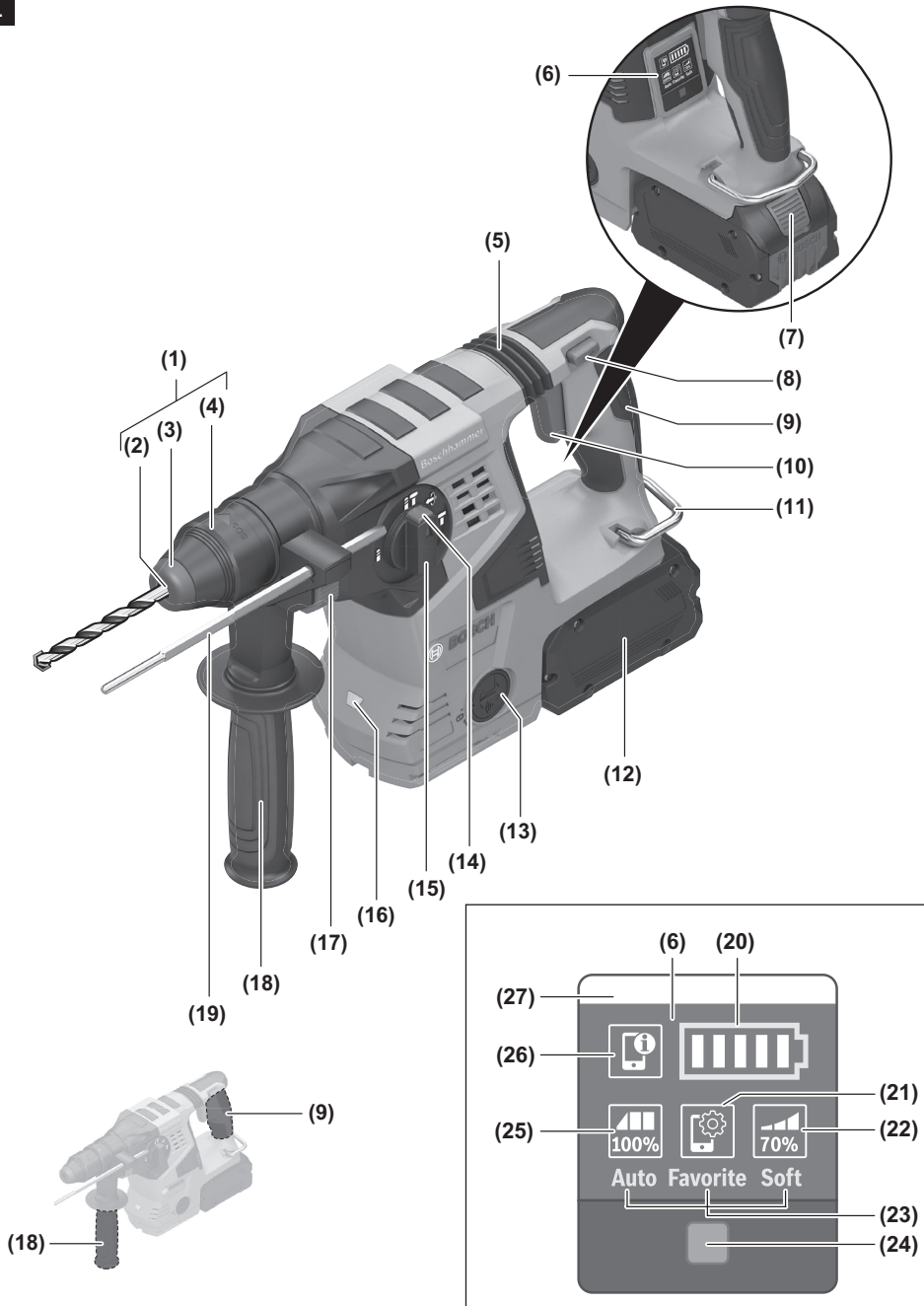
IMPORTANTE: Es posible que algunos de los símbolos siguientes se usen en su herramienta. Por favor, estúdielos y aprenda su significado. La interpretación adecuada de estos símbolos le permitirá utilizar la herramienta mejor y con más seguridad.

Símbolo	Désignación / Explicación
	Alerta al usuario para que lea el manual.
	Alerta al usuario para que use protección de los ojos.
	Alerta al usuario para que use protección respiratoria.
	Alerta al usuario para que use protección de la audición.
	Alerta al usuario para que use protección de los ojos, respiratoria y de la audición.
	Este símbolo indica que Underwriters Laboratories ha catalogado esta herramienta indicando que cumple con las normas estadounidenses y canadienses.
	Este símbolo indica que esta herramienta está catalogada por la Canadian Standards Association.
	Este símbolo indica que la Canadian Standards Association ha catalogado esta herramienta indicando que cumple con las normas estadounidenses y canadienses.
	Este símbolo indica que Intertek Testing Services ha catalogado esta herramienta indicando que cumple con las normas estadounidenses y canadienses.
	Designa el programa de reciclaje de baterías de Li-ion.

Conociendo su producto

Taladros de percusión sin cordón GBH18V-28C

Fig. 1



Conociendo su producto

- 1 Mandril de cambio rápido SDS plus
- 2 Portaherramienta SDS plus
- 3 Tapa de protección contra el polvo
- 4 Manguito de fijación
- 5 Amortiguación de la vibración
- 6 Interfaz del usuario
- 7 Botón de liberación del paquete de batería
- 8 Palanca de avance/inversión y cierre del gatillo
- 9 Mango (superficie de agarre con aislamiento)
- 10 Interruptor de encendido y apagado
- 11 Gancho utilitario
- 12 Paquete de batería
- 13 Cubierta Bluetooth
- 14 Botón de liberación del interruptor selector de impacto/modo
- 15 Interruptor selector de impacto/modo
- 16 Luz de trabajo
- 17 Botón de ajuste del tope de profundidad
- 18 Mango auxiliar (superficie de agarre con aislamiento)
- 19 Tope de profundidad

Interfaz del usuario

- 20 Indicador de carga de la batería
- 21 Configuración de la velocidad a través de la app del teléfono inteligente
- 22 Indicador de rendimiento reducido
- 23 Indicador de modo de trabajo
- 24 Botón de selección del modo de trabajo
- 25 Indicador de rendimiento máximo
- 26 Símbolo de teléfono inteligente
- 27 Indicador de estado de la herramienta eléctrica

Ensamblaje

⚠ ADVERTENCIA Desconecte el paquete de batería de la herramienta antes de realizar cualquier ensamblaje, ajuste o cambio de accesorios. Dichas medidas preventivas de seguridad reducen el riesgo de arrancar la herramienta accidentalmente.

Introducción y suelta de paquete de baterías

⚠ ADVERTENCIA Utilice solo las baterías Bosch o AMPShare recomendadas en la lista de baterías/cargadores incluida con su herramienta. Es posible que el uso de cualquier otro tipo de baterías tenga como resultado lesiones corporales o daños materiales.

⚠ ADVERTENCIA Asegúrese de que el interruptor esté en la posición de apagado antes de insertar el paquete de baterías. Insertar el paquete de baterías en herramientas eléctricas que tienen el interruptor encendido invita a los accidentes.

(Fig. 1)

Para insertar la batería,

1. Ponga la palanca de avance/inversión y el cierre del gatillo 8 en la posición de bloqueo.

2. Deslice el paquete de baterías cargado 7 al interior de la carcasa hasta que dicho paquete se acople en su sitio.

La herramienta está equipado con un pestillo de fijación secundario para impedir que dicho paquete se caiga y salga completamente del mango, en caso de que se afloje debido a la vibración.

Para quitar el paquete de baterías,

1. Oprima el botón de liberación del paquete de baterías 12 y deslice dicho paquete hacia delante.
2. Oprima de nuevo el botón de liberación del paquete de baterías 12 y deslice dicho paquete completamente hacia afuera hasta sacarlo de la carcasa de la herramienta.

Ensamblaje

Instalación de los accesorios SDS-Plus®

(Fig. 2)

Limpie el extremo del vástago de inserción para retirar cualquier residuo y luego engráselo ligeramente con un aceite o lubricante ligero.

Inserte el accesorio en el mandril a través del escudo anti-polvo, mientras lo gira y empuja hacia dentro hasta que quede fijo automáticamente en la posición correcta. Jale el accesorio hacia fuera para asegurarse de que esté fijo en el interior del mandril.

NOTA: La alta eficiencia ofrecida por los martillos rotativos sólo se puede obtener si se utilizan accesorios afilados y sin daños. El "costo" de mantener los accesorios afilados y sin daños es sobrecompensado ampliamente por el "tiempo ahorrado" al utilizar la herramienta con accesorios afilados.

Remoción de accesorios SDS-Plus®

⚠ ADVERTENCIA Puede que los accesorios estén calientes después de usarlos. Evite el contacto con la piel y use guantes protectores adecuados o un paño para retirarlos.

(Fig. 3)

Para retirar un accesorio, jale hacia atrás el manguito de fijación 4 y jale la broca hacia delante. Todos los accesorios se deberán limpiar con un paño después de retirarlos.

Fig. 2

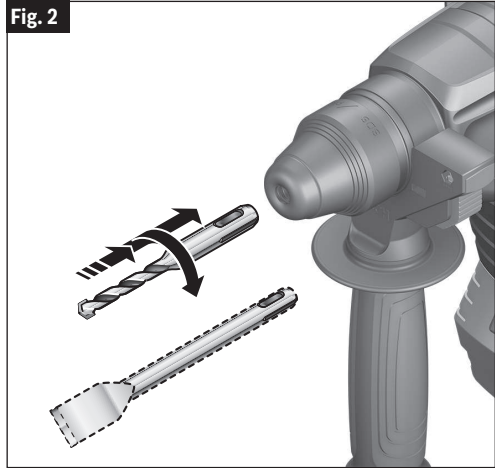
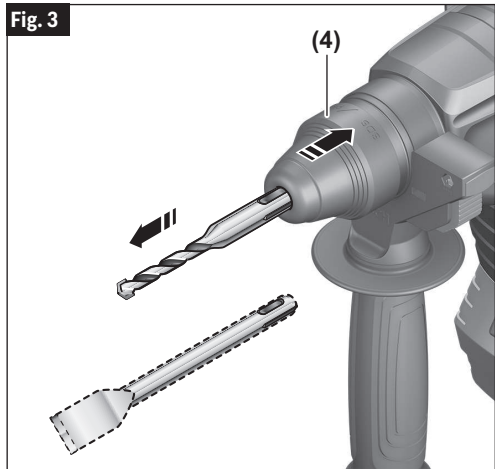


Fig. 3



Ensamblaje

Instalación y remoción del mandril de 3 mordazas (no incluido, disponible como accesorio)

(Fig. 4)

El mandril de 3 mordazas con vástago SDS puede convertir su herramienta para utilizarla con brocas de vástago recto.

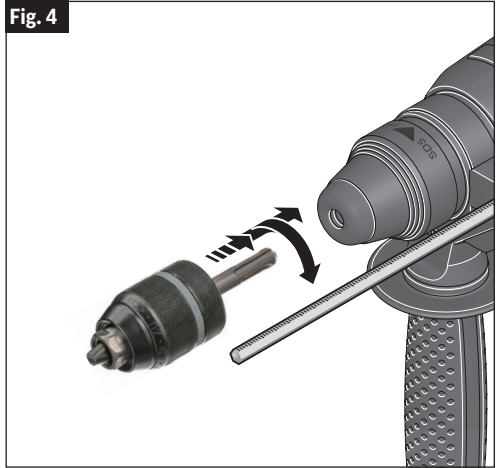
Limpie el extremo del vástago de inserción del accesorio para retirar cualquier residuo y luego engráselo ligeramente con un aceite o lubricante ligero.

Inserte el accesorio en el mandril a través del escudo anti-polvo, mientras gira y empuja el accesorio hacia dentro hasta que quede fijo automáticamente en la posición correcta. Jale hacia fuera el accesorio para asegurarse de que esté fijo en el interior del mandril (Fig. 4).

Para retirar el mandril, jale hacia atrás el manguito de fijación (hacia la parte trasera de la herramienta), mientras jala hacia delante el mandril.

Hay una versión de fijación sin llave del mandril de 3 mandíbulas disponible para su compra. Sírvase visitar Boschtools.com para obtener detalles.

Fig. 4



Instalación y remoción de accesorios mandril de 3 mordazas

(Fig. 5)

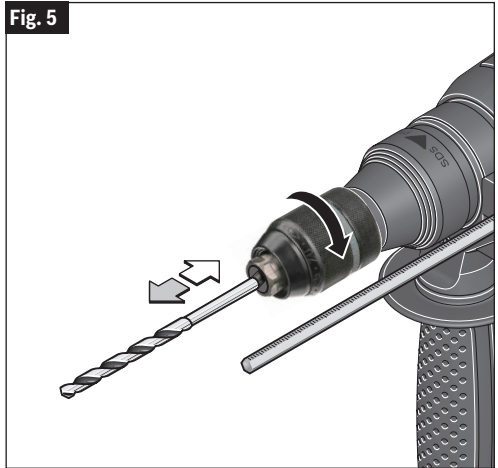
En el caso de brocas pequeñas, abra las mordazas lo suficiente como para poder insertar la broca hasta las estrías. En el caso de brocas grandes, inserte la broca tanto como se pueda. Centre la broca mientras cierra las mordazas con la mano. Esto posiciona apropiadamente la broca, brindando el máximo contacto entre las mordazas del mandril y el vástago de la broca (Fig. 5).

Para apretar el mandril, inserte la llave en cada uno de los tres agujeros para llave uno tras otro y apriételo firmemente en el sentido de las agujas del reloj.

El mandril se puede liberar usando sólo un agujero.

Nota: El mandril de 3 mordazas está diseñado para utilizarse sólo en el modo de "Taladro solamente". El mandril de 3 mordazas no está diseñado para utilizarse cuando se taladre con acción de percusión.

Fig. 5



Ensamblaje

Mango auxiliar

(Fig. 6)

La herramienta se debe soportar con el mango auxiliar **18**, que se puede girar 360°.

Para reposicionar y/o girar el mango, afloje la empuñadura, mueva el mango hasta la posición deseada a lo largo del cilindro y reapriete firmemente la empuñadura.

Calibre de profundidad

(Fig. 7)

La profundidad de taladrado se puede preajustar y/o repetir utilizando el calibre de profundidad.

Ajuste de la profundidad: Después de instalar el mango auxiliar, asegúrese de que el accesorio se haya insertado completamente en el portaherramienta **2** antes de ajustar el calibre de profundidad **19**.

Para ajustar la profundidad, presione el botón de liberación del calibre de profundidad **17**, deslice dicho calibre hasta la profundidad **19** deseada y reduzca la presión sobre el botón para bloquear el calibre de profundidad en la posición deseada.

Inserción del módulo de baja energía Bluetooth® GCY 42 (accesorio)

Lea las instrucciones de utilización correspondientes para obtener información sobre el módulo de baja energía Bluetooth® GCY 42.

Fig. 6

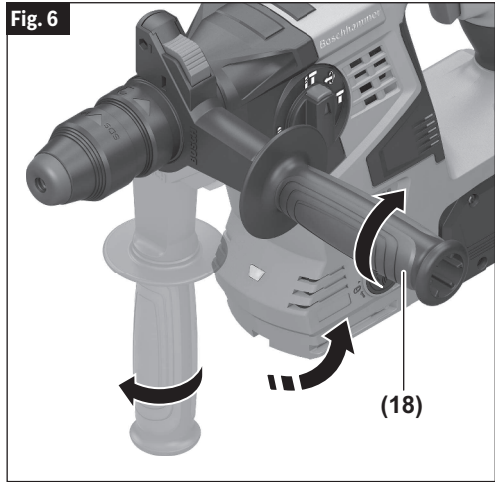
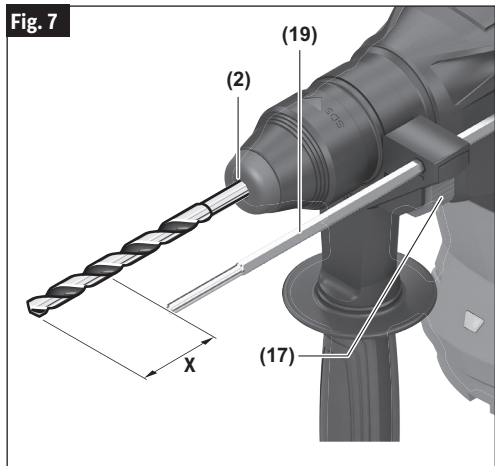


Fig. 7



Ensamblaje

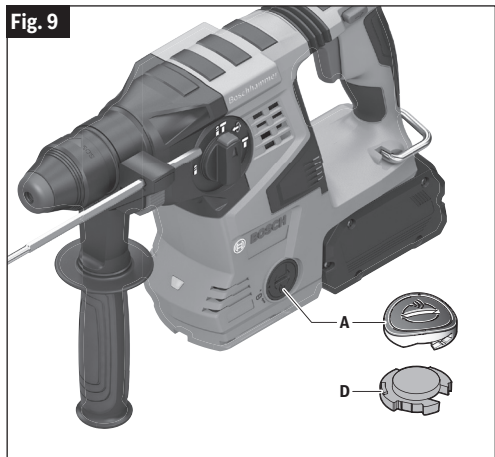
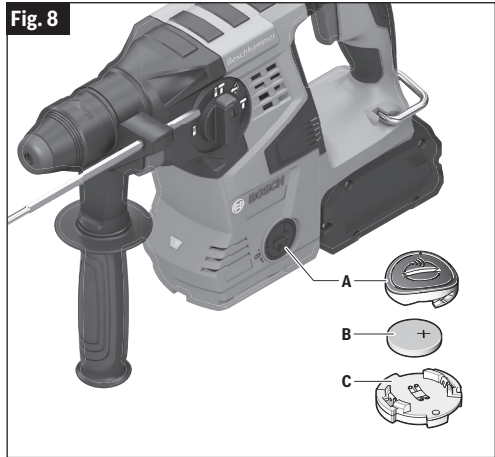
Instalación del módulo de conectividad (vendido por separado)

⚠ ADVERTENCIA Para reducir el riesgo de lesiones, lea las instrucciones de utilización incluidas con el módulo de conectividad Bosch. Las instrucciones de utilización del módulo de conectividad incluyen información importante que no se cubre en este manual.

(Fig. 8, 9)

Si el módulo de conectividad no se compra con la herramienta, o si se hace necesario reemplazar el módulo o la batería, por favor, siga este procedimiento (vea la Fig. 8):

- Utilizando un destornillador plano o una moneda, retire la cubierta **A** del lado del mango, girándola 1/8 de vuelta en sentido contrario al de las agujas del reloj (Fig. 8 o 9).
- Si la herramienta ya está equipada con el módulo de conectividad, retire la batería **B**, pero no retire el módulo de conectividad **C**.
- Si el módulo de conectividad se instala por primera vez, retire el marcador de posición de plástico **D** del compartimiento del módulo de conectividad y coloque el módulo de conectividad **C** en el compartimiento, prestando atención a la orientación correcta (Fig. 9). **Nota:** Guarde el marcador de posición **D** en un lugar seguro. Reinserte de nuevo el marcador de posición si se retira el módulo de comunicaciones.
- Seguidamente, coloque la batería nueva **B** en la parte de arriba del módulo de conectividad con la polaridad “+” orientada hacia arriba (Fig. 8).
- Coloque la cubierta **A** sobre la batería y gírela 1/8 de vuelta en el sentido de las agujas del reloj utilizando un destornillador plano o una moneda.



Instrucciones de funcionamiento

Interruptor gatillo de velocidad variable controlada

⚠ ADVERTENCIA Para reducir el riesgo de lesiones, suspenda inmediatamente el uso de la herramienta si el control de velocidad variable deja de funcionar. Es probable que haya una pérdida subsiguiente de control de encendido y apagado con el gatillo.

(Fig. 1)

La herramienta está equipada con un interruptor gatillo de velocidad variable. La herramienta se puede "ENCENDER" o "APAGAR" apretando o soltando el gatillo. La velocidad se puede ajustar desde las RPM mínimas hasta las RPM máximas indicadas en la placa de especificaciones por medio de la presión que se ejerza sobre el gatillo. Ejercer más presión para aumentar la velocidad y disminuir la presión para reducir la velocidad.

Palanca de avance/inversión y cierre del gatillo

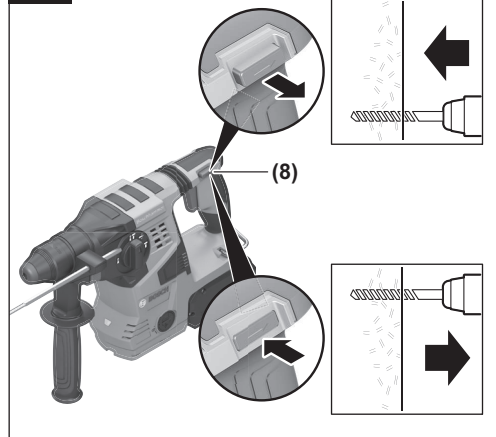
⚠ PRECAUCIÓN No cambie el sentido de rotación hasta que la herramienta se detenga por completo. Un cambio durante la rotación del mandril puede causar daños a la herramienta.

(Fig. 10)

Esta herramienta está equipada con una palanca de avance/inversión y un cierre del gatillo **8** ubicados encima del gatillo (Fig. 10). Esta palanca fue diseñada para cambiar la rotación del mandril y para fijar el gatillo en la posición de "APAGADO" con el fin de ayudar a prevenir arranques accidentales y una descarga accidental de la batería.

Para obtener rotación de avance (con el mandril apuntando de manera que se aleje de usted), mueva la palanca completamente hacia la izquierda. Para obtener rotación inversa,

Fig. 10



mueva la palanca completamente hacia la derecha. Para activar el cierre del gatillo, mueva la palanca hasta la posición de apagado central.

Dial selector de modo

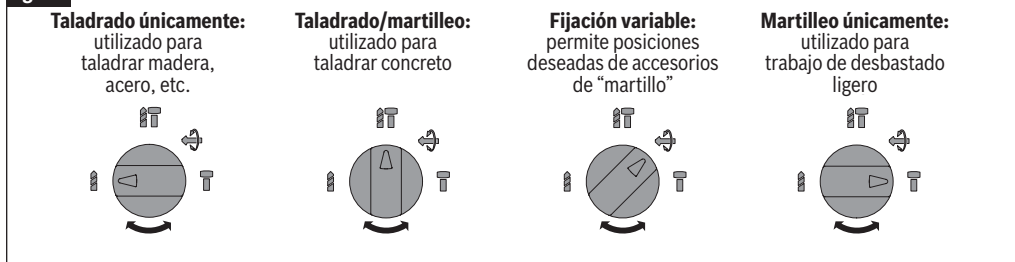
⚠ PRECAUCIÓN No utilice el dial de selección hasta que la herramienta se haya detenido por completo. La realización de cambios durante la rotación del mandril puede causar daños a la herramienta.

(Fig. 11)

El dial selector de modo permite ajustar la herramienta para diversas aplicaciones, tal y como se indica en el siguiente cuadro (Fig. 11).

Cuando utilice brocas de demolición o desbastadoras, tales como puntas de bala, cinceles, brocas planas, gubias, etc., se debe seleccionar el modo de "Martillo solamente".

Fig. 11



Instrucciones de funcionamiento

“Vario-Lock”

(Fig. 12)

La position Vario-Lock est conçue pour emploi avec des embouts burineurs tels que des pointes à tête hémisphérique, des forets plats, des embouts cannelés, etc. Choisissez la position qui est la plus appropriée pour votre activité.

Faites tourner le cadran de réglage du mode pour le mettre dans la position « vario-lock ». Puis faites tourner le manchon de verrouillage avec l'accessoire pour le mettre dans la position désirée. Ensuite, faites tourner le cadran de réglage du mode dans la position « percussion seulement » et faites tourner légèrement le manchon de verrouillage pour qu'il se verrouille automatiquement dans une position définie.

Embrayage de sécurité

L'outil est muni d'un embrayage de sécurité interne réglé en usine. La broche de sortie cessera de tourner si l'accessoire se coince et cause une surcharge pour l'outil.

Controlé des risques de rebond

La fonctionnalité de fermeture rapide permet un meilleur contrôle et améliore le confort de l'utilisateur. L'outil électrique s'éteint automatiquement en cas de rotation soudaine et inattendue de l'outil autour de l'axe de perçage (par exemple, si la mèche se coince dans de l'acier renforcé ou se bloque dans un coin). Pour remettre la machine en marche, relâchez l'interrupteur de marche/arrêt, puis réactivez-le.

La fonction de contrôle des risques de rebond ne peut s'activer que lorsque l'outil électrique fonctionne à la vitesse maximum et quand il peut tourner librement autour de l'axe du foret de perçage.

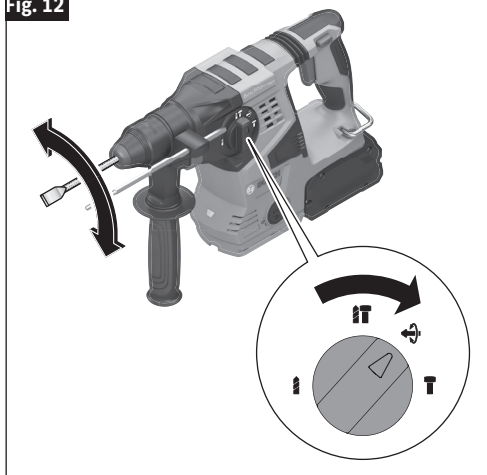
Conseil relatifs à l'utilisation de l'outil

Suivez ces quelques conseils très simples pour réduire l'usure de l'outil et les risques de blessure de l'opérateur.

REMARQUE : L'efficacité élevée des marteaux rotatifs ne peut être obtenue que si des accessoires tranchants et en bon état sont utilisés. Le "coût" de l'entretien d'accessoires tranchants en bon état est plus que compensé par le « gain de temps » résultant de l'emploi de l'outil avec des accessoires tranchants.

Vous prolongerez la durée de vie de vos embouts et vous ferez un travail plus soigné si vous mettez toujours l'embout en contact avec l'ouvrage AVANT de tirer sur la gâchette. Pendant le fonctionnement, tenez fermement la perceuse et exercez une

Fig. 12



pression constante, mais modérée. Une pression excessive à basse vitesse fera caler le marteau. Une pression insuffisante empêchera l'embout de couper et causera des frottements excessifs en glissant sur la surface. Ceci pourrait causer des dommages à la perceuse aussi bien qu'à la mèche.

Les tiges de tous les mèches de perçage doivent être nettoyées avant leur utilisation et tout de suite après leur retrait.

Souvenez-vous de ces instructions pour pouvoir utiliser l'outil en toute sécurité :

1. Certains matériaux nécessitent des vitesses de perçage lentes, tandis que d'autres nécessitent des vitesses plus rapides afin de produire les meilleurs résultats possibles.
2. Tous les ouvrages doivent être supportés ou sécurisés avant de commencer le perçage et une pression constante et uniforme doit être appliquée dans le sens du mouvement de la mèche de perçage.
3. Lorsque la mèche atteint le côté opposé, réduisez la pression et continuez à laisser tourner la mèche à vide pendant son retrait.

Des matériaux tels que le verre, la porcelaine, la céramique, les carreaux, les plastiques, etc. doivent être percés à faible vitesse, avec des embouts spécialement conçus et l'application de lubrifiants appropriés.

Instrucciones de funcionamiento

Perçage de maçonnerie

Utilisez un embout à pointe au carbure pour maçonnerie si vous devez couper des blocs de béton de mâchefer, du mortier, de pierre tendre et d'autres matériaux de ce genre. La pression à exercer dépend du type de matériau à percer. Les matériaux tendre nécessitent moins de pression que les matériaux durs pour éviter que la mèche de la perceuse ne tourne à vide.

Perçage de bois ou de plastique

Si vous n'utilisez pas de bloc de support, relâchez la pression juste avant que la mèche ne perce le côté opposé du bois pour éviter l'éclatement du matériau à proximité du trou. Effectuez la finition du trou depuis le côté opposé immédiatement après que la mèche aura fini de percer le trou. Si la mèche se coince, inversez le sens de rotation de la mèche afin de faciliter son retrait de l'ouvrage.

Perçage de métal

Marque con un punzón centrador el centro del agujero para facilitar el comienzo. Exercez suffisamment de pression pour permettre à la mèche de continuer à couper. Si vous laissez la mèche tourner à vide dans le trou, elle s'éroussera au bout de très peu de temps. Lorsque vous percez un trou de grand diamètre, faites un petit trou pour commencer et agrandissez-le progressivement pour atteindre la taille requise. Ceci sera plus rapide et consommera moins d'énergie. Lubrifiez occasionnellement la pointe de la mèche avec de l'HUILE DE COUPE pour pouvoir percer plus facilement le métal. Si la mèche se coince, inversez le sens de rotation de la mèche afin de faciliter son retrait de l'ouvrage.

Suspensión de la herramienta eléctrica

(Fig. 13)

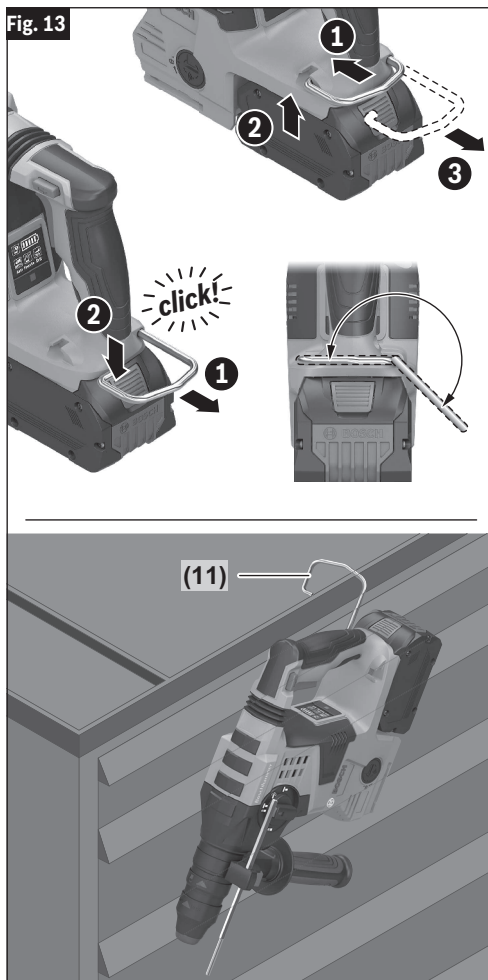
Usted puede utilizar el gancho utilitario **11** para sujetar la herramienta eléctrica a un dispositivo de suspensión adecuado.

- Empuje brevemente el gancho utilitario **11** hacia el mango **9** para liberar el mecanismo de fijación. El gancho utilitario se extenderá hacia atrás por sí mismo.
- Gire el gancho utilitario hacia un lado.
- Compruebe el gancho utilitario **11** para determinar si tiene daños o deformación.

No utilice el gancho utilitario **11** si está dañado o deformado, o si ya no está firmemente sujeto a la herramienta eléctrica.

- Utilice el gancho utilitario **11** para sujetar la herramienta eléctrica a un dispositivo de suspensión.

Fig. 13



Para evitar daños o lesiones, el dispositivo de suspensión no se debe instalar sobre pasarelas o áreas de trabajo muy cercanas.

El gancho utilitario está diseñado solamente para el propósito de colgar la herramienta eléctrica, incluyendo los accesorios instalados.

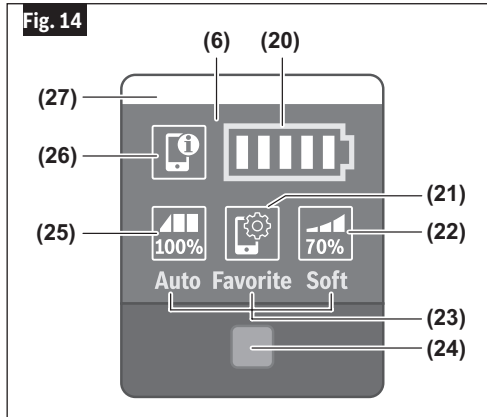
- Gire hacia atrás el gancho utilitario **11** y empújelo con una ligera presión hacia delante y hacia abajo hasta la posición de bloqueo cuando esté trabajando con la herramienta eléctrica.

Instrucciones de funcionamiento

Interfaz del usuario

(Fig. 14)

La interfaz del usuario **6** se utiliza para seleccionar el modo de trabajo y para indicar el estado de la herramienta eléctrica.



Indicaciones de estado

Estado de la herramienta eléctrica (27)	Significado/causa	Solución
Verde	Estado bueno	–
Amarillo	Se ha alcanzado la temperatura crítica o la batería recargable está casi vacía	Deje que la herramienta eléctrica se enfríe o reemplace o cargue la batería
Rojo	La herramienta eléctrica se ha sobrecalentado o la batería recargable está vacía	Deje que la herramienta eléctrica se enfríe o reemplace o cargue la batería
Rojo	El motor está atorado, la batería está demasiado débil	Cargue la batería o utilice el tipo de batería recomendado
	Error general	– Apague la herramienta eléctrica y enciéndala de nuevo, o retire el paquete de batería y reinsértelo Si el error persiste: – Envíe la herramienta eléctrica al servicio posventa
Parpadea en rojo	El control de antirretroceso está activado	Apague la herramienta eléctrica y enciéndala de nuevo
Parpadea en azul	La herramienta eléctrica está conectada a un dispositivo móvil a través de Bluetooth®	–
	o se está transfiriendo la configuración	

Instrucciones de funcionamiento

Indicador de carga de la batería (interfaz) (20)	Significado/causa	Solución
Verde (2 a 5 barras)	Batería cargada	–
Amarillo (1 barra)	Batería casi vacía	Reemplace o cargue la batería pronto
Rojo (1 barra)	Batería vacía	Reemplace o cargue la batería

Indicador de estado del teléfono inteligente (26)	Significado/causa	Solución
Blanco	Información importante disponible (p. ej., advertencia de temperatura)	Lea el mensaje en el teléfono inteligente

Botón de modo de trabajo (24)

Selección del modo de trabajo:

Presione repetidamente el botón (24) para seleccionar el modo de trabajo hasta que el modo de trabajo que usted requiera se ilumine.

Nota: En el modo de trabajo **Favorite**, las funciones se configuran a través de la app de del teléfono inteligente, mientras que las funciones están preajustadas en el modo de trabajo **Auto**.

Indicador de modo de trabajo (23)	Funciones
Auto El indicador de rendimiento máximo 25 se ilumina	En el modo de trabajo Auto , la herramienta eléctrica alcanza el rendimiento máximo cuando se realiza taladrado de percusión a la velocidad de aceleración máxima.
Soft El indicador de rendimiento reducido 22 se ilumina	En el modo de trabajo Soft (suave), el rendimiento y la velocidad de aceleración de la herramienta eléctrica se reducen al realizar taladrado de percusión.
Favorite La configuración de la velocidad a través de indicador de la app del teléfono inteligente 21 se ilumina	En el modo de trabajo Favorite , el rendimiento y la velocidad de aceleración de la herramienta eléctrica se pueden configurar individualmente a través de la app del teléfono inteligente.

Conectividad

Bluetooth®

⚠ ADVERTENCIA Compruebe siempre la configuración de la herramienta antes de utilizarla. Es posible que la configuración sea distinta que cuando la herramienta se utilizó por última vez. El módulo de conectividad permite transferir los datos y la configuración basándose en la tecnología inalámbrica Bluetooth®. Con el módulo instalado, ciertos ajustes selectos de la herramienta podrán ser cambiados remotamente por un dispositivo Bluetooth® apareado y una aplicación instalada por el usuario.

⚠ ADVERTENCIA Esta herramienta está equipada con una interfaz de radio. Se deberán acatar las restricciones de utilización locales, p. ej., bases militares u hospitales. Los transmisores han demostrado capacidad para interferir accidentalmente con otros dispositivos.

Piense en la seguridad

LA SEGURIDAD ES UNA COMBINACIÓN DE SENTIDO COMÚN Y ALERTA POR PARTE DEL OPERADOR EN TODO MOMENTO CUANDO SE ESTÉ USANDO LA HERRAMIENTA.

Funciones de conectividad

Requisitos del sistema para utilizar la app

Requisitos del sistema

Dispositivo móvil (tableta, teléfono inteligente)	Android 6.0 (and newer) iOS 11 (and newer)
---	---

Instalación y configuración de la app

Usted tendrá que instalar la app específica para el dispositivo antes de que pueda utilizar las funciones de conectividad.

- Descargue la app de la tienda de apps correspondiente (Apple App Store, Google Play Store).

Nota: Usted necesitará tener una cuenta de usuario con la tienda de apps relevante para hacer esto.

App name	iOS	Android
Bosch Toolbox		

- Luego, seleccione el subelemento MyTools (Mis herramientas) o Connectivity (Conectividad) en la app.
- La pantalla de su dispositivo móvil le mostrará todos los pasos subsiguientes requeridos para conectar la herramienta eléctrica al dispositivo móvil.

En combinación con el módulo de baja energía Bluetooth® GCY 42, las siguientes funciones de conectividad están disponibles con la app Bosch Toolbox para la herramienta eléctrica:

- Registro
- Personalización del modo de trabajo Favorite (rendimiento y comportamiento)
- Ajustes de la herramienta (p. ej., tiempo de funcionamiento de con extracción de polvo, parámetros de la luz de trabajo)
- Comprobación del estado, salida de mensajes de advertencia
- Información general
- Gestión

Lea las instrucciones de utilización correspondientes para obtener información sobre el módulo de baja energía Bluetooth® GCY 42.

El símbolo de teléfono inteligente **26** se ilumina si la herramienta eléctrica envía información (p. ej., una advertencia de temperatura) a un dispositivo móvil a través de la tecnología inalámbrica Bluetooth®.

Desactivación de la función de conectividad

- Con el módulo de baja energía Bluetooth®, la herramienta eléctrica está equipada con una interfaz de radio. Se debe cumplir con las restricciones de utilización locales, p. ej., en aeronaves u hospitales.

Nota: La cubierta **13** solo se puede cerrar firmemente si el módulo de baja energía Bluetooth® y la batería tipo botón están colocados en la herramienta eléctrica.

- Para desactivar el módulo de baja energía Bluetooth®, rote la batería tipo botón o coloque un medio de aislamiento entre dicha batería y el módulo de baja energía Bluetooth®.
- Cierre la cubierta **13** para impedir que entre suciedad.

Conectividad

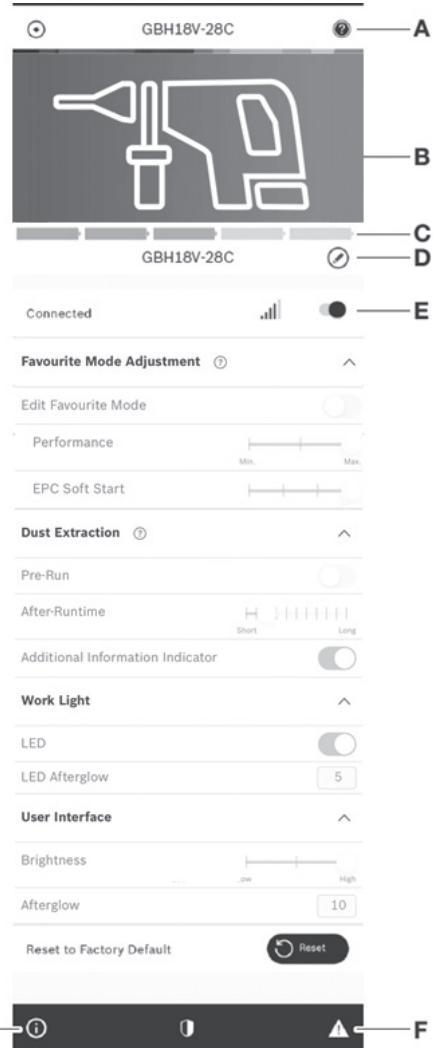
Using 'Bosch Toolbox' app

Instale la aplicación "Bosch Toolbox" en su dispositivo móvil o asegúrese de estar ejecutando la última versión de la aplicación.

Lance la aplicación "Bosch ToolBox" en su dispositivo móvil y haga clic en el ícono/mosaico "My Tools" (Mis herramientas). Siga las instrucciones de la aplicación para emparejar la herramienta con el dispositivo móvil.

Después de aparear su herramienta con un dispositivo móvil, puede ajustar ciertas funciones o comprobar el estado de la herramienta eléctrica utilizando la aplicación Bosch Toolbox.

- A. Botón de ayuda:** Al presionar suavemente este botón aparecerá la pantalla de ayuda.
- B. Foto de la herramienta:** Al presionar suavemente en la foto usted podrá personalizar la fotografía de la herramienta.
- C. Estado de carga de la batería de la herramienta eléctrica:** El número de "baterías" verdes indica el nivel de carga estimado del paquete de batería.
- D. Apodo de la herramienta eléctrica:** Al golpear suavemente en el ícono de "lápiz" se le permitirá personalizar el apodo de la herramienta. También podrá hacerlo cuando cambie la foto de la herramienta.
- E. Barra de estado de conexión:** Aquí usted puede ver la fuerza de (la señal de) conexión indicada por barras verticales. Puede usar el interruptor basculante para desconectar la herramienta de su dispositivo móvil.
- F. Alertas de la herramienta:** Al presionar suavemente el "triángulo de alertas" se mostrará cualquier alerta recibida de la herramienta.
- G. Botón de información:** Muestra la información y las especificaciones de la herramienta.



Extracción de polvo

Para obtener una selección de sistemas de recolección de polvo e instrucciones de utilización, consulte las instrucciones de utilización / seguridad para los "Aditamentos de extracción de polvo para martillos y taladros de percusión" incluidas con su herramienta o con el aditamento de extracción de polvo.

El aditamento colector de polvo GDE18V-16 (vendido por separado) se puede utilizar con este martillo rotativo. Sírvase leer las instrucciones de utilización/seguridad del GDE18V-16 para obtener información detallada.

Mantenimiento

⚠ ADVERTENCIA Para evitar accidentes, desconecte siempre la herramienta y/o el cargador de la fuente de energía antes de la limpieza.

Servicio

⚠ ADVERTENCIA NO HAY PIEZAS EN EL INTERIOR QUE PUEDAN SER AJUSTADAS O REPARADAS POR EL USUARIO. El mantenimiento preventivo realizado por personal no autorizado puede dar lugar a la colocación incorrecta de cables y componentes internos que podría constituir un peligro serio.

Recomendamos que todo el servicio de las herramientas sea realizado en un Centro de servicio de fábrica Bosch o en una Estación de servicio Bosch autorizada. **TECNICOS DE REPARACIONES:** Desconecten la herramienta y/o el cargador de la fuente de energía antes de realizar servicio de ajustes y reparaciones.

Baterías

Esté alerta a los paquetes de baterías que estén aproximándose al final de su vida útil. Si observa una disminución del rendimiento de la herramienta o un tiempo de funcionamiento significativamente más corto entre cargas, entonces ha llegado el momento de cambiar el paquete de baterías. Si no se hace esto, el resultado puede ser que la herramienta funcione incorrectamente o que el cargador se dañe.

Lubricación de las herramientas

Su herramienta Bosch ha sido lubricada adecuadamente y está lista para la utilización.

Motores

El motor de la herramienta ha sido diseñado para muchas horas de servicio fiable. Para mantener un rendimiento óptimo del motor, recomendamos que éste sea examinado cada seis meses. Sólo se debe usar un motor de repuesto Bosch genuino diseñado especialmente para la herramienta.

Reemplazo de la batería tipo moneda incorporada

⚠ ADVERTENCIA La batería tipo moneda se debe reemplazar siempre por una batería tipo moneda del mismo tipo. Es posible que la utilización de una batería tipo moneda diferente cause daños a la herramienta y daños materiales y lesiones.

Usted recibirá una notificación a través de la app Bosch Toolbox si la batería tipo moneda está demasiado débil o si está agotada. El reemplazo de la batería tipo moneda debe ser realizado por Bosch o por un centro de servicio posventa autorizado para trabajar con herramientas eléctricas Bosch.

Limpieza

⚠ PRECAUCION Ciertos agentes de limpieza y disolventes dañan las piezas de plástico. Algunos de estos son: gasolina, tetracloruro de carbono, disolventes de limpieza para clorados, amoníaco y detergentes domésticos que contienen amoníaco.

Las aberturas de ventilación y las palancas de interruptor deben mantenerse limpias y libres de materias extrañas. No intente limpiar introduciendo objetos puntiagudos a través de las aberturas.

Accesorios

⚠ ADVERTENCIA No utilice aditamentos/accesorios que no sean los especificados por Bosch. Es posible que el uso de aditamentos/accesorios no especificados para utilizarse con la herramienta descrita en este manual cause daños a la herramienta, daños materiales y/o lesiones corporales.

Almacene los accesorios en un ambiente seco y templado para evitar la corrosión y el deterioro.

Equipo estándar	Accesorios opcionales
- Mango auxiliar de 360° - Calibre de profundidad	- Mandril de 3 mordazas - Aditamentos de extracción de polvo

Licenses

Copyright © 2012-2015, Infineon Technologies AG

All rights reserved.

Redistribution and use in source and binary forms, with or without modification, are permitted provided that the following conditions are met:

- Redistributions of source code must retain the above copyright notice, this list of conditions and the following disclaimer.
- Redistributions in binary form must reproduce the above copyright notice, this list of conditions and the following disclaimer in the documentation and/or other materials provided with the distribution.
- Neither the name of the copyright holders nor the names of its contributors may be used to endorse or promote products derived from this software without specific prior written permission.

THIS SOFTWARE IS PROVIDED BY THE COPYRIGHT HOLDERS AND CONTRIBUTORS "AS IS" AND ANY EXPRESS OR IMPLIED WARRANTIES, INCLUDING, BUT NOT LIMITED TO, THE IMPLIED WARRANTIES OF MERCHANTABILITY AND FITNESS FOR A PARTICULAR PURPOSE ARE DISCLAIMED. IN NO EVENT SHALL THE COPYRIGHT OWNER OR CONTRIBUTORS BE LIABLE FOR ANY DIRECT, INDIRECT, INCIDENTAL, SPECIAL, EXEMPLARY, OR CONSEQUENTIAL DAMAGES (INCLUDING, BUT NOT LIMITED TO, PROCUREMENT OF SUBSTITUTE GOODS OR SERVICES; LOSS OF USE, DATA, OR PROFITS; OR BUSINESS INTERRUPTION) HOWEVER CAUSED AND ON ANY THEORY OF LIABILITY, WHETHER IN CONTRACT, STRICT LIABILITY, OR TORT (INCLUDING NEGLIGENCE OR OTHERWISE) ARISING IN ANY WAY OUT OF THE USE OF THIS SOFTWARE, EVEN IF ADVISED OF THE POSSIBILITY OF SUCH DAMAGE.

MIT License

Copyright © 2015 Grigori Goronzy <goronzy@kinoho.net>

Permission is hereby granted, free of charge, to any person obtaining a copy of this software and associated documentation files (the "Software"), to deal in the Software without restriction, including without limitation the rights to use, copy, modify, merge, publish, distribute, sublicense, and/or sell copies of the Software, and to permit persons to whom the Software is furnished to do so, subject to the following conditions:

The above copyright notice and this permission notice shall be included in all copies or substantial portions of the Software.

THE SOFTWARE IS PROVIDED "AS IS", WITHOUT WARRANTY OF ANY KIND, EXPRESS OR IMPLIED, INCLUDING BUT NOT LIMITED TO THE WARRANTIES OF MERCHANTABILITY, FITNESS FOR A PARTICULAR PURPOSE AND NONINFRINGEMENT. IN NO EVENT SHALL THE AUTHORS OR COPYRIGHT HOLDERS BE LIABLE FOR ANY CLAIM, DAMAGES OR OTHER LIABILITY, WHETHER IN AN ACTION OF CONTRACT, TORT OR OTHERWISE, ARISING FROM, OUT OF OR IN CONNECTION WITH THE SOFTWARE OR THE USE OR OTHER DEALINGS IN THE SOFTWARE.

Copyright © 2017–2018 STMicroelectronics

All rights reserved.

Redistribution and use in source and binary forms, with or without modification, are permitted provided that the following conditions are met:

- Redistributions of source code must retain the above copyright notice, this list of conditions and the following disclaimer.
- Redistributions in binary form must reproduce the above copyright notice, this list of conditions and the following disclaimer in the documentation and/or other materials provided with the distribution.

Licenses

- Neither the name of STMicroelectronics nor the names of its contributors may be used to endorse or promote products derived from this software without specific prior written permission.

THIS SOFTWARE IS PROVIDED BY THE COPYRIGHT HOLDERS AND CONTRIBUTORS “AS IS” AND ANY EXPRESS OR IMPLIED WARRANTIES, INCLUDING, BUT NOT LIMITED TO, THE IMPLIED WARRANTIES OF MERCHANTABILITY AND FITNESS FOR A PARTICULAR PURPOSE ARE DISCLAIMED. IN NO EVENT SHALL THE COPYRIGHT OWNER OR CONTRIBUTORS BE LIABLE FOR ANY DIRECT, INDIRECT, INCIDENTAL, SPECIAL, EXEMPLARY, OR CONSEQUENTIAL DAMAGES (INCLUDING, BUT NOT LIMITED TO, PROCUREMENT OF SUBSTITUTE GOODS OR SERVICES; LOSS OF USE, DATA, OR PROFITS; OR BUSINESS INTERRUPTION) HOWEVER CAUSED AND ON ANY THEORY OF LIABILITY, WHETHER IN CONTRACT, STRICT LIABILITY, OR TORT (INCLUDING NEGLIGENCE OR OTHERWISE) ARISING IN ANY WAY OUT OF THE USE OF THIS SOFTWARE, EVEN IF ADVISED OF THE POSSIBILITY OF SUCH DAMAGE.

Copyright (c) 2018 STMicroelectronics International N.V.

All rights reserved.

Redistribution and use in source and binary forms, with or without modification, are permitted, provided that the following conditions are met:

- Redistribution of source code must retain the above copyright notice, this list of conditions and the following disclaimer.
- Redistributions in binary form must reproduce the above copyright notice, this list of conditions and the following disclaimer in the documentation and/or other materials provided with the distribution.
- Neither the name of STMicroelectronics nor the names of other contributors to this software may be used to endorse or promote products derived from this software without specific written permission.
- This software, including modifications and/or derivative works of this software, must execute solely and exclusively on microcontroller or microprocessor devices manufactured by or for STMicroelectronics.
- Redistribution and use of this software other than as permitted under this license is void and will automatically terminate your rights under this license.

THIS SOFTWARE IS PROVIDED BY STMICROELECTRONICS AND CONTRIBUTORS “AS IS” AND ANY EXPRESS, IMPLIED OR STATUTORY WARRANTIES, INCLUDING, BUT NOT LIMITED TO, THE IMPLIED WARRANTIES OF MERCHANTABILITY, FITNESS FOR A PARTICULAR PURPOSE AND NON-INFRINGEMENT OF THIRD PARTY INTELLECTUAL PROPERTY RIGHTS ARE DISCLAIMED TO THE FULLEST EXTENT PERMITTED BY LAW. IN NO EVENT SHALL STMICROELECTRONICS OR CONTRIBUTORS BE LIABLE FOR ANY DIRECT, INDIRECT, INCIDENTAL, SPECIAL, EXEMPLARY, OR CONSEQUENTIAL DAMAGES (INCLUDING, BUT NOT LIMITED TO, PROCUREMENT OF SUBSTITUTE GOODS OR SERVICES; LOSS OF USE, DATA, OR PROFITS; OR BUSINESS INTERRUPTION) HOWEVER CAUSED AND ON ANY THEORY OF LIABILITY, WHETHER IN CONTRACT, STRICT LIABILITY, OR TORT (INCLUDING NEGLIGENCE OR OTHERWISE) ARISING IN ANY WAY OUT OF THE USE OF THIS SOFTWARE, EVEN IF ADVISED OF THE POSSIBILITY OF SUCH DAMAGE.

Notes / Remarques / Notas

This page was intentionally left blank
Cette page a été laissée vierge intentionnellement.
Esta página se dejó intencionalmente en blanco

Notes / Remarques / Notas

This page was intentionally left blank
Cette page a été laissée vierge intentionnellement.
Esta página se dejó intencionalmente en blanco

LIMITED WARRANTY

For details on the terms of the limited warranty for this product, go to <https://rb-pt.io/PowerToolWarranty> or call 1-877-BOSCH99.

GARANTIE LIMITÉE

Pour tous détails sur les conditions de la garantie limitée pour ce produit, allez sur le site <https://rb-pt.io/PowerToolWarranty> ou téléphonez au 1-877-BOSCH99

GARANTÍA LIMITADA

Para obtener detalles sobre los términos de la garantía limitada de este producto, visite <https://rb-pt.io/PowerToolWarranty> o llame al 1-877-BOSCH99



BOSCH

© Robert Bosch Tool Corporation
1800 W. Central Road
Mt. Prospect, IL 60056-2230
160992A8B9 03/2023



1 6 0 9 9 2 A 8 B 9