

IMPORTANT
Read Before Using

IMPORTANT
Lire avant usage

IMPORTANTE
Leer antes de usar



Operating / Safety Instructions
Consignes d'utilisation / de sécurité
Instrucciones de funcionamiento y seguridad

GRG18V-3600C



BOSCH

Call Toll Free for Consumer Information & Service Locations

Pour obtenir des informations et les adresses de nos centres de service après-vente, appelez ce numéro gratuit

Llame gratis para obtener información para el consumidor y ubicaciones de servicio

1-877-BOSCH99 (1-877-267-2499) www.boschtools.com

For English Version
See page 2

Version française
Voir page 19

Versión en español
Ver la página 37

Safety Symbols





<p>The definitions below describe the level of severity for each signal word. Please read the manual and pay attention to these symbols.</p>	
	<p>This is the safety alert symbol. It is used to alert you to potential personal injury hazards. Obey all safety messages that follow this symbol to avoid possible injury or death.</p>
	<p>DANGER indicates a hazardous situation which, if not avoided, will result in death or serious injury.</p>
	<p>WARNING indicates a hazardous situation which, if not avoided, could result in death or serious injury.</p>
	<p>CAUTION indicates a hazardous situation which, if not avoided, could result in minor or moderate injury.</p>

Table of Contents

Safety Symbols 2	Connectivity 16
General Power Tool Safety Warnings 3	Connectivity functions 16
Safety Rules for Cordless Rivet Tool 5	Functions in Conjunction with the Power Tool 16
Additional Safety Warnings 6	Maintenance 17
FCC Caution 6	Cleaning or Replacing the Jaws 17
Industry Canada 6	Accessories 18
Specifications 7	Service 18
Intended Use 7	Batteries 18
Symbols 8	Replacing the Built-in Coin Cell 18
Getting to Know Your Product 10	Tool Lubrication 18
Assembly 11	Motors 18
Inserting and Releasing Battery Pack 11	Cleaning 18
Changing the Nosepiece 11	Accessory Storage & Maintenance . . . 18
Empty the Mandrel Container 11	
Operation 12	
Suitable Blind Rivet/Nosepiece Combinations 12	
Setting a Blind Rivet 13	
User Interface 14	
Working Advice 15	
LED Worklight 15	
Suspension Device 15	
Belt clip 15	

General Power Tool Safety Warnings

⚠ WARNING Read all safety warnings, instructions, illustrations and specifications provided with this power tool. Failure to follow all instructions listed below may result in electric shock, fire and/or serious injury.

SAVE ALL WARNINGS AND INSTRUCTIONS FOR FUTURE REFERENCE

The term “power tool” in the warnings refers to your mains-operated (corded) power tool or battery-operated (cordless) power tool.

1. Work area safety

- a. **Keep work area clean and well lit.** Cluttered or dark areas invite accidents.
- b. **Do not operate power tools in explosive atmospheres, such as in the presence of flammable liquids, gases or dust.** Power tools create sparks which may ignite the dust or fumes.
- c. **Keep children and bystanders away while operating a power tool.** Distractions can cause you to lose control.

2. Electrical safety

- a. **Power tool plugs must match the outlet. Never modify the plug in any way.** Do not use any adapter plugs with earthed (grounded) power tools. Unmodified plugs and matching outlets will reduce risk of electric shock.
- b. **Avoid body contact with earthed or grounded surfaces, such as pipes, radiators, ranges and refrigerators.** There is an increased risk of electric shock if your body is earthed or grounded.
- c. **Do not expose power tools to rain or wet conditions.** Water entering a power tool will increase the risk of electric shock.
- d. **Do not abuse the cord. Never use the cord for carrying, pulling or unplugging the power tool. Keep cord away from heat, oil, sharp edges or moving parts.** Damaged or entangled cords increase the risk of electric shock.
- e. **When operating a power tool outdoors, use an extension cord suitable for outdoor use.** Use of a cord suitable for outdoor use reduces the risk of electric shock.
- f. **If operating a power tool in a damp location is unavoidable, use a Ground Fault Circuit Interrupter (GFCI) pro-**

ected supply. Use of an GFCI reduces the risk of electric shock.

3. Personal safety

- a. **Stay alert, watch what you are doing and use common sense when operating a power tool. Do not use a power tool while you are tired or under the influence of drugs, alcohol or medication.** A moment of inattention while operating power tools may result in serious personal injury.
- b. **Use personal protective equipment.** Always wear eye protection. Protective equipment such as a dust mask, non-skid safety shoes, hard hat, or hearing protection used for appropriate conditions will reduce personal injuries.
- c. **Prevent unintentional starting. Ensure the switch is in the off-position before connecting to power source and / or battery pack, picking up or carrying the tool.** Carrying power tools with your finger on the switch or energizing power tools that have the switch on invites accidents.
- d. **Remove any adjusting key or wrench before turning the power tool on.** A wrench or a key left attached to a rotating part of the power tool may result in personal injury.
- e. **Do not overreach.** Keep proper footing and balance at all times. This enables better control of the power tool in unexpected situations.
- f. **Dress properly. Do not wear loose clothing or jewelry. Keep your hair and clothing away from moving parts.** Loose clothes, jewelry or long hair can be caught in moving parts.
- g. **If devices are provided for the connection of dust extraction and collection facilities, ensure these are connected**

General Power Tool Safety Warnings

and properly used. Use of dust collection can reduce dust-related hazards.

- h. Do not let familiarity gained from frequent use of tools allow you to become complacent and ignore tool safety principles.** A careless action can cause severe injury within a fraction of a second.

4. Power tool use and care

- a. Do not force the power tool.** Use the correct power tool for your application. The correct power tool will do the job better and safer at the rate for which it was designed.
- b. Do not use the power tool if the switch does not turn it on and off.** Any power tool that cannot be controlled with the switch is dangerous and must be repaired.
- c. Disconnect the plug from the power source and/or remove the battery pack, if detachable, from the power tool before making any adjustments, changing accessories, or storing power tools.** Such preventive safety measures reduce the risk of starting the power tool accidentally.
- d. Store idle power tools out of the reach of children and do not allow persons unfamiliar with the power tool or these instructions to operate the power tool.** Power tools are dangerous in the hands of untrained users.
- e. Maintain power tools and accessories. Check for misalignment or binding of moving parts, breakage of parts and any other condition that may affect the power tool's operation. If damaged, have the power tool repaired before use.** Many accidents are caused by poorly maintained power tools.
- f. Keep cutting tools sharp and clean.** Properly maintained cutting tools with sharp cutting edges are less likely to bind and are easier to control.
- g. Use the power tool, accessories and tool bits etc. in accordance with these instructions, taking into account the working conditions and the work to be performed.** Use of the power tool for operations different from those intended could result in a hazardous situation.

- h. Keep handles and grasping surfaces dry, clean and free from oil and grease.** Slippery handles and grasping surfaces do not allow for safe handling and control of the tool in unexpected situations.

5. Battery tool use and care

- a. Recharge only with the charger specified by the manufacturer.** A charger that is suitable for one type of battery pack may create a risk of fire when used with another battery pack.
- b. Use power tools only with specifically designated battery packs.** Use of any other battery packs may create a risk of injury and fire.
- c. When battery pack is not in use, keep it away from other metal objects like paper clips, coins, keys, nails, screws, or other small metal objects that can make a connection from one terminal to another.** Shorting the battery terminals together may cause burns or a fire.
- d. Under abusive conditions, liquid may be ejected from the battery, avoid contact.** If contact accidentally occurs, flush with water. If liquid contacts eyes, additionally seek medical help. Liquid ejected from the battery may cause irritation or burns.
- e. Do not use a battery pack or tool that is damaged or modified.** Damaged or modified batteries may exhibit unpredictable behavior resulting in fire, explosion or risk of injury.
- f. Do not expose a battery pack or tool to fire or excessive temperature.** Exposure to fire or temperature above 265 °F may cause explosion.
- g. Follow all charging instructions and do not charge the battery pack or tool outside the temperature range specified in the instructions.** Charging improperly or at temperatures outside the specified range may damage the battery and increase the risk of fire.

6. Service

- a. Have your power tool serviced by a qualified repair person using only identical replacement parts.** This will ensure that the safety of the power tool is maintained.

General Power Tool Safety Warnings

b. Never service damaged battery packs.

Service of battery packs should only be performed by the manufacturer or authorized service providers.

Safety Rules for Cordless Rivet Tool

a. **Do not direct the rivet tool at yourself or other persons during use and do not work without the material to be riveted.** The blind rivet can be ejected from the rivet tool and cause injury.



b. **Do not work without a mandrel container.** Rivet mandrels are ejected from the back of the rivet tool and can cause injury.

c. **In case of damage and improper use of the battery, vapors may be emitted.** The battery can set alight or explode. Ensure the area is well ventilated and seek medical attention should you experience any adverse effects. The vapors may irritate the respiratory system.

d. **Do not open the battery.** There is a risk of short-circuiting.

e. **The battery can be damaged by pointed objects such as nails or screwdrivers or by force applied externally.** An internal short circuit may occur, causing the battery to burn, smoke, explode or overheat.

f. **Only use the battery with products from the manufacturer.** This is the only way in which you can protect the battery against dangerous overload.

g.  **Protect the battery against heat, e.g. against continuous intense sunlight, fire, dirt, water and moisture.** There is a risk of explosion and short-circuiting. 

h. **Caution!** When using the power tool with Bluetooth®, a fault may occur in other devices and systems, aeroplanes and medical devices (e.g. pacemakers, hearing aids). Also, damage to people and animals in the immediate vicinity cannot be completely excluded. Do not use the power tool with Bluetooth® in the vicinity of medical devices, gas stations, chemical plants, areas with a

potentially explosive atmosphere or in blasting areas. Do not use the power tool with Bluetooth® in aircraft. Avoid using the product near your body for extended periods.

i. **The Bluetooth® word mark and logos are registered trademarks owned by Bluetooth SIG, Inc.** and any use of such marks by Robert Bosch Power Tools GmbH is under license.

j. **Ensure that the coin cell is kept out of the reach of children.** Coin cells are dangerous.



k. **Coin cells must never be swallowed or inserted into any other part of the body.** If you suspect that someone has swallowed a coin cell or that a coin cell has entered the body in another way, seek medical attention immediately. Swallowing coin cells can result in severe internal burns and death within 2 hours.

l. **Ensure that coin cell replacement is carried out properly.** There is a risk of explosion.

m. **Only use the coin cells listed in this operating manual.** Do not use any other coin cells or other forms of electrical power supply.

n. **Do not attempt to recharge the coin cell and do not short circuit the coin cell.** The coin cell may leak, explode, catch fire and cause personal injury.

o. **Remove and dispose of drained coin cell correctly.** Drained coin cell may leak and damage the product or cause personal injury.

p. **Do not overheat the coin cell or throw it into fire.** The coin cell may leak,

Safety Rules for Cordless Rivet Tool

explode, catch fire and cause personal injury.

- q. Do not damage the coin cell and or take the coin cell apart.** The coin cell may leak, explode, catch fire and cause personal injury.

- r. Do not allow damaged coin cells to come into contact with water.** Leaking lithium may mix with water to create hydrogen, which could cause a fire, an explosion, or personal injury.

Additional Safety Warnings

GFCI and personal protection devices like electrician's rubber gloves and footwear will further enhance your personal safety.

Develop a periodic maintenance schedule for your tool. When cleaning a tool be careful not to disassemble any portion of the

tool since internal wires may be misplaced or pinched or safety guard return springs may be improperly mounted. Certain cleaning agents such as gasoline, carbon tetrachloride, ammonia, etc. may damage plastic parts.

FCC Caution

The manufacturer is not responsible for radio interference caused by unauthorized modifications to this equipment. Such modifications could void the user's authority to operate the equipment. This device complies with Part 15 of the FCC Rules. Operation is subject to the following two conditions:

1. This device may not cause harmful interference, and
2. This device must accept any interference received, including interference that may cause undesired operation.

NOTE! This equipment generates uses and can radiate radio frequency energy and, if not installed and used in accordance with the instructions, may cause harmful interference to radio communications. However, there is no guarantee that interference will

not occur in a particular installation. If this equipment does cause harmful interference to radio or television reception, which can be determined by turning the equipment off and on, the user is encouraged to try to correct the interference by one or more of the following measures:

- Reorient or relocate the receiving antenna.
- Increase the separation between the equipment and receiver.
- Connect the equipment into an outlet on a circuit different from that to which the receiver is connected.
- Consult the dealer or an experienced radio/TV technician for help.

Industry Canada

This device contains licence-exempt transmitter(s)/receiver(s) that comply with Innovation, Science and Economic Development Canada's licence-exempt RSS(s). Operation is subject to the following two conditions:

- (1) this device may not cause interference, and
- (2) this device must accept any interference, including interference that may cause undesired operation of the device.

Specifications

Model Number	GRG18V-3600C
Voltage rating	18 V
Stroke	1 in.
Pulling force	3,595 lbs.
Weight	4.4 to 6.6 lbs.
Permitted battery temperature during charging	+32...+113°F (0...+45°C)
Permitted ambient temperature during operation and storage	-4...+122°F (-20...+50°C)
Recommended ambient temperature during charging	+32...+95°F (0...+35°C)

Battery Packs / Chargers:

Please refer to the battery/charger list, included with your tool.






NOTE: For tool specifications refer to the nameplate on your tool.

Intended Use

The power tool is intended for setting blind rivets.





Symbols

Important: Some of the following symbols may be used on your tool. Please study them and learn their meaning. Proper interpretation of these symbols will allow you to operate the tool better and safer.

Symbol	Designation/Explanation
V	Volts (voltage)
A	Amperes (current)
Hz	Hertz (frequency, cycles per second)
W	Watt (power)
kg	Kilograms (weight)
lbs	Pounds (weight)
min	Minutes (time)
s	Seconds (time)
∅	Diameter
n_0	No load speed (rotational speed, at no load)
n	Rated speed (maximum attainable speed)
.../min	Revolutions or reciprocation per minute (revolutions, strokes, surface speed, orbits etc. per minute)
0	Off position (zero speed, zero torque...)
1, 2, 3, ... I, II, III,	Selector settings (Speed, torque or position settings. Higher number means greater speed.)
0 	Infinitely variable selector with off (Speed is increasing from 0 setting.)
	Arrow (action in the direction of arrow)
~	Alternating current (type or a characteristic of current)
==	Direct current (type or a characteristic of current)
	Alternating or direct current (type or a characteristic of current)
	Class II construction (Designates Double Insulated Construction tools.)
	Earthing terminal (grounding terminal)

Symbols

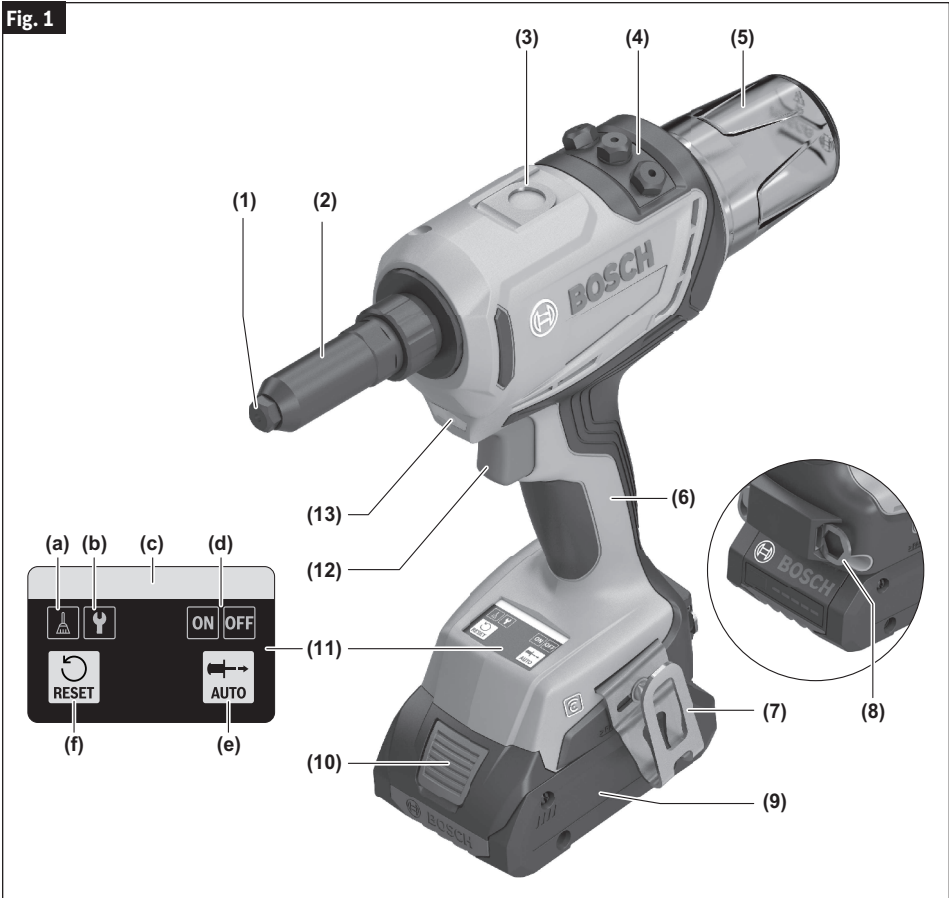
Important: Some of the following symbols may be used on your tool. Please study them and learn their meaning. Proper interpretation of these symbols will allow you to operate the tool better and safer.

Symbol	Designation/Explanation
	Alerts user to read manual.
	Alerts user to wear eye protection.
	Alerts user to wear respiratory protection.
	Alerts user to wear hearing protection.
	Alerts user to wear eye, respiratory, and hearing protection.
	This symbol designates that this tool is listed by Underwriters Laboratories, to United States and Canadian Standards.
	This symbol designates that this tool is listed by the Canadian Standards Association.
	This symbol designates that this tool is listed by the Canadian Standards Association, to United States and Canadian Standards.
	This symbol designates that this tool is listed by the Intertek Testing Services, to United States and Canadian Standards.
	Designates Li-ion battery recycling program.

Getting to Know Your Product

Bosch GRG18V-3600C Cordless Rivet Tool

Fig. 1



- | | | | |
|----|-------------------------------------|----|---|
| 1 | Nosepiece | a | Indicator: Jaw Maintenance Re-
minder |
| 2 | Cover Sleeve | b | Indicator: Jaw Maintenance Re-
minder |
| 3 | Hanging Ring | c | Power Tool Status Indicator |
| 4 | Nosepiece Magazine | d | Working Modes Indicator |
| 5 | Mandrel Container | e | AUTO Button to select the working
mode |
| 6 | Handle (insulated gripping surface) | f | RESET Button to reset the reminder |
| 7 | Belt Clip | | |
| 8 | Wrench | | |
| 9 | Battery Pack* | | |
| 10 | Battery Release Button* | 12 | On/Off Switch |
| 11 | User Interface | 13 | LED Worklight |
- *sold separately

Assembly

⚠ WARNING Disconnect battery pack from tool before making any assembly, adjustments or changing accessories. Such preventive safety measures reduce the risk of starting the tool accidentally.

Inserting and Releasing Battery Pack

(Fig. 1)

To insert the battery pack:

1. Slide charged Battery Pack **9** into the housing until the battery pack locks into position.

To check if the battery is locked in place, lightly pull the battery in the opposite direction. If the battery moves, do not use the tool and repeat the insertion procedure until the battery is locked in place and does not slide backwards.

Your tool is equipped with a secondary locking latch to prevent the battery pack from completely falling out of the handle, should it become loose due to vibration.

To remove the battery pack:

1. Press the Battery Pack Release Button **10** and slide the Battery Pack **9** forward.
2. Press the Battery Pack Release Button **10** again and slide the Battery Pack **9** completely out of tool housing.

Changing the Nosepiece

(Fig. 2)

The Nosepiece Magazine **4** contains nosepieces of three different sizes, enabling the user to exchange nosepieces quickly.

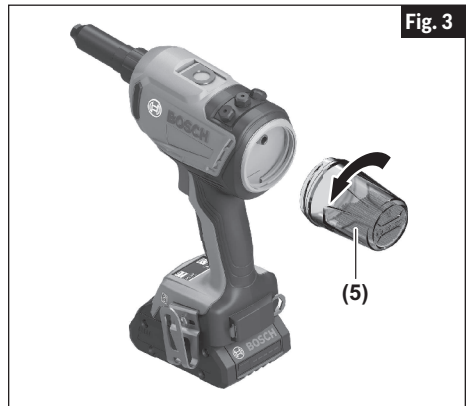
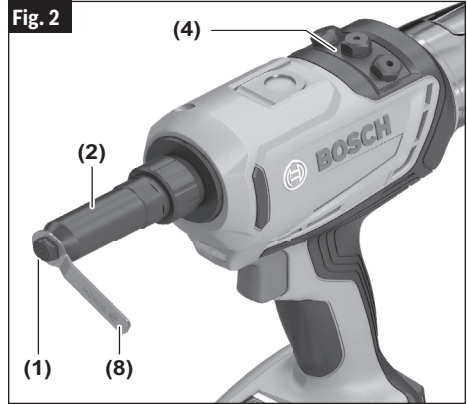
1. Use the Wrench **8** to unscrew the Nosepiece **1** from the Cover Sleeve **2**.
2. Screw the new Nosepiece **1** on and tighten it with the Wrench **9**.

Empty the Mandrel Container

(Fig. 3)

Always empty the Mandrel Container **5** for broken-off rivet mandrels before it is completely full in order to prevent blockages.

1. Unscrew the Mandrel Container **5** by turning it anticlockwise.
2. Empty the Mandrel Container **5** into a suitable recycling or waste bin.



3. Screw the Mandrel Container **5** back onto the power tool by turning it clockwise.

Operation

⚠ WARNING Disconnect battery pack from tool before making any assembly, adjustments or changing accessories. Such preventive safety measures reduce the risk of starting the tool accidentally.

Suitable Blind Rivet/Nosepiece Combinations

The use of a combination not listed in the table below may lead to poor fastening or a malfunction of the power tool.

Blind rivet	Nosepiece	
Size	Labelling	Hole diameter
Dia. 1/8" (3.0 mm) Dia. 1/8" (3.2 mm)	1/8" (3.0/3.2)	Dia. 0.09" (2.3-2.4 mm)
Dia. 5/32" (4.0 mm)	5/32" (4.0)	Dia. 0.11" (2.7-2.8 mm)
Dia. 3/16" (4.8 mm) Dia. 3/16" (5.0 mm)	3/16" (4.8/5.0)	Dia. 0.13" (3.3-3.4 mm)
Dia. 1/4" (6.0 mm) Dia. 1/4" (6.4 mm)	1/4" (6.4)	Dia. 0.18" (4.6-4.7 mm)

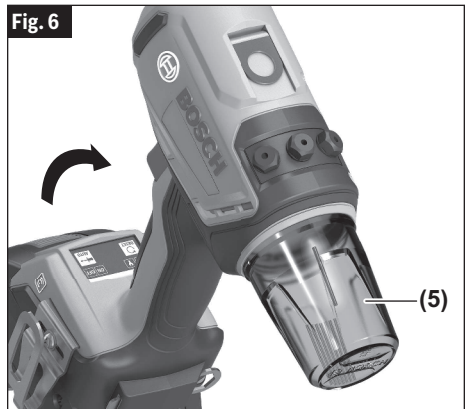
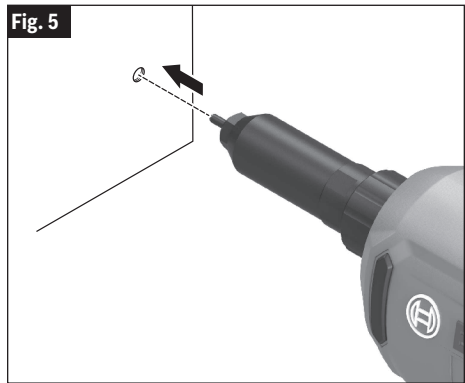
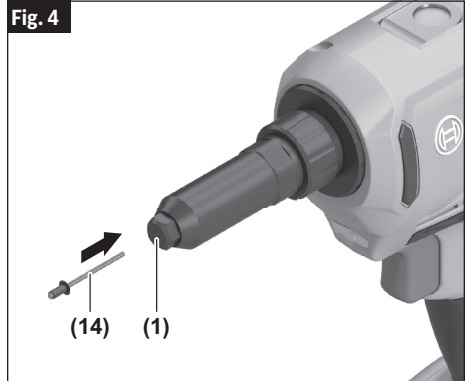
Operation

Setting a Blind Rivet

(Fig. 2, 4, 5, 6)

1. Prepare the workpieces to be connected. If no holes are yet available, pre-drill the workpieces.
2. Select a suitable Nosepiece **1**. Screw the nosepiece onto the Cover Sleeve **2** and tighten it with the Wrench **8** (Fig. 2).
3. Use the AUTO Button **11e** to select the required working mode (see “Selecting the Working Mode”, page 14).
4. Insert the rivet mandrel of the Blind Rivet **14** into the nosepiece **1** (Fig. 4).
5. Hold the power tool tightly and push the blind rivet into the pilot hole (Fig. 5).
6. Depending on the working mode, press the On/Off Switch **12** and wait until the rivet mandrel has broken off.
7. Tilt the power tool backwards so that the rivet mandrel can fall into the Mandrel Container **5** (Fig. 6).

Note: After setting the blind rivet, ensure that the broken-off rivet mandrel has fallen into the mandrel container before setting the next blind rivet.



Operation

User Interface

(Fig. 7)

The User Interface **11** is used to select the working mode and to indicate the status of the power tool.

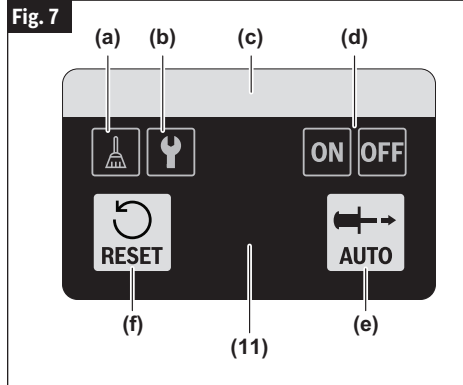
Indicator: Jaw Cleaning/Checking Reminder

If the reminder **11a** or **11b** lights up, you must check the Jaws **17**. If required, clean the jaws (see “Cleaning or Replacing the Jaws”, page 17).

Only reset the reminder once you have checked the jaws. To do so, press and hold the RESET Button **11f** for 2 seconds.

Status Indicator

Status indicator 11c	Meaning
–	Power tool switched off
Green	Power tool switched on and ready to use
Yellow	Warning message
Red	Error message
Blue (flashing)	Data transfer



Selecting the Working Mode

The AUTO Button **11e** can be used to choose between two working modes.

– AUTO ON working mode:

To set a blind rivet, press the On/Off Switch **12** briefly and then release it again. The riveting process is automatically completed.

Advantage: Convenient riveting

– AUTO OFF working mode:

To set a blind rivet, press and hold the On/Off Switch **12** until the blind rivet is fully set and the rivet mandrel has broken off. Then release the On/Off Switch **12** in order to complete the riveting process.










Advantage: Quick riveting (depending on the blind rivet/nosepiece combination that is used)

Alerts

Problem	Display (see Fig. 7)	Display Color	Cause	Corrective Measure
Warning Message		Yellow	Jaws 17 dirty	Clean the Jaws 17
		Yellow	Jaws 17 worn	Check and, if required, replace the Jaws 17

Problem	Toolbox App Display	Display Color	Cause	Corrective Measure
Warning Message		Yellow	Jaws 17 dirty	Clean the Jaws 17

Operation

Problem	Toolbox App Display	Display Color	Cause	Corrective Measure
Warning Message		Yellow	Jaws 17 worn	Check and, if required, replace the Jaws 17
		Yellow	Rechargeable battery 9 state of charge weak	Replace or charge the rechargeable battery 9
		Yellow	Rechargeable battery 9 almost overheated	Replace or charge the battery 9 or Switch off the power tool and allow it to cool down for 3–5 minutes until the status indicator 11c lights up green
		Yellow	Electronics almost over almost overheated	Switch off the power tool and allow it to cool down until the status indicator 16 lights up green
		Yellow	Jaws 17 not in working/neutral position	Press the on/off switch 12 so that the Jaws 17 return to the working/neutral position
Error message		Red	Rechargeable battery 9 state of charge critical	Replace or charge the rechargeable battery 9 immediately
		Red	Rechargeable battery 9 overheated	Replace the rechargeable battery 9 immediately or Switch off the power tool immediately and allow it to cool down for 3–5 minutes until the status indicator 11c lights up green
		Red	Electronics overheated	Switch off the power tool immediately and allow it to cool down until the status indicator 11c lights up green
		Red	Jaws 17 jammed	Clean the Jaws 17 and, if required, replace them

Working Advice

The power tool with built-in Bluetooth® Low Energy Module is equipped with a radio interface. Local operating restrictions, e.g. in aircraft or hospitals, must be observed.

In areas in which the Bluetooth® wireless technology must not be used, the Bluetooth® Low Energy Module must be switched off via the app.

LED Worklight

The LED Worklight **13** improves visibility in the immediate work area. It is automatically switched on when the On/Off Switch **12** is pressed.

Suspension Device

You can use the Hanging Ring **3** to attach the power tool to a suspension device (e.g. on a production line).

To do so, fold the Hanging Ring **3** upwards.

Regularly check the condition of the hanging ring and the catch in the suspension device.

Belt clip

You can use the Belt Clip **7** to conveniently secure the power tool to your belt.

Connectivity

Connectivity functions

System Requirements for Using the App

System Requirements	
Mobile device (tablet, smartphone)	Android 6 (and newer)
	iOS 11 (and newer)

Installing and Setting up the App

You will need to install the device-specific app before you can use the connectivity functions.

- Download the app from the corresponding app store (Apple App Store, Google Play Store).

Note: You will need to have a user account with the relevant app store to do this.

App name	iOS	Android
Bosch Toolbox		

- Then select the MyTools or Connectivity sub-item in the app.
- The display of your mobile device shows you all of the subsequent steps required to connect the power tool to the mobile device.

Data transfer via Bluetooth®

The built-in Bluetooth® Low Energy Module sends a signal at regular intervals. Depending on ambient conditions, multiple transmission intervals may be required before the power tool is detected. If the power tool is not detected, check the following:

- Is the distance to the mobile device too great? Reduce the distance between the mobile device and the power tool.
- Is the coin cell for the built-in Bluetooth® Low Energy Module weak or drained? Contact an authorised after-sales service centre for Bosch power tools to replace the coin cell.
- Switch Bluetooth® off and on again on your mobile device. Check whether the power tool has now been detected.

Functions in Conjunction with the Power Tool

In conjunction with the Bluetooth® Low Energy module, the following connectivity functions are available for the power tool:

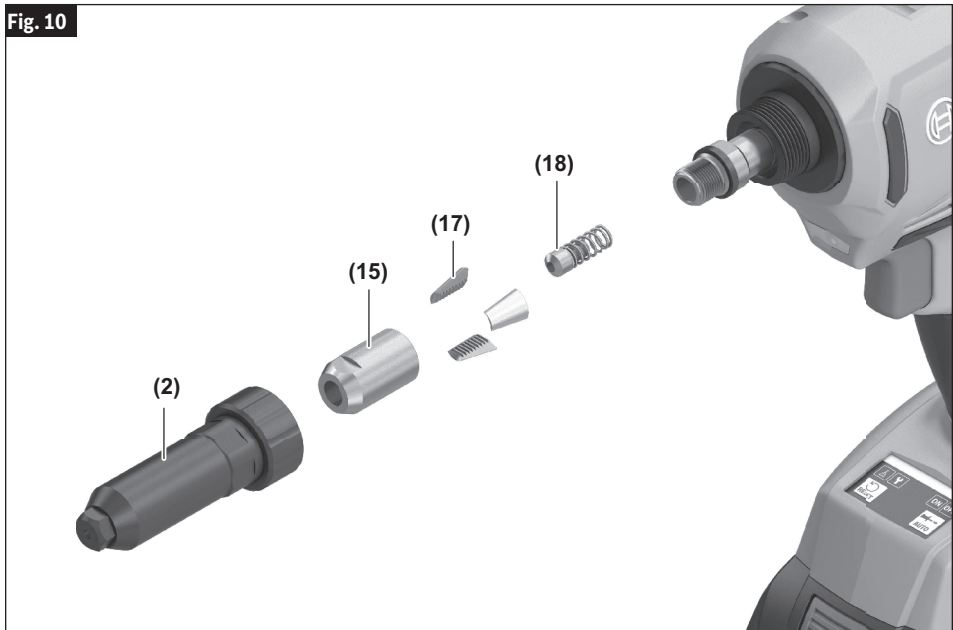
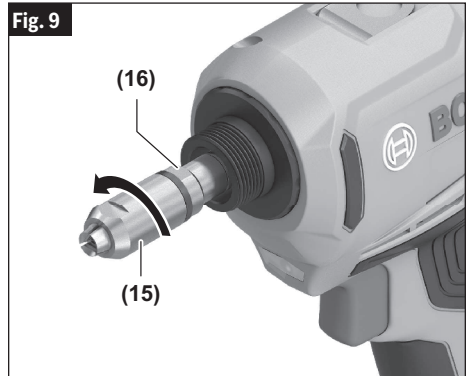
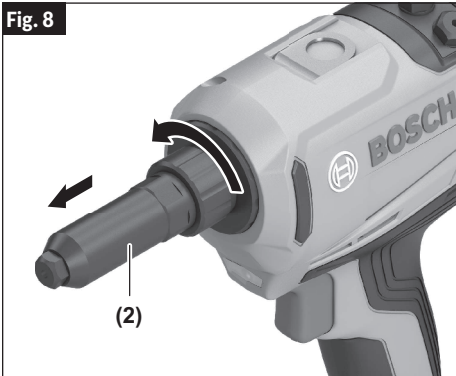
- Registration and personalisation
- Status check, output of warning and error messages
- General information and settings (e.g. reminder interval for checking the jaws)
- Management

Maintenance

Cleaning or Replacing the Jaws

(Fig. 8, 9, 10)

1. Remove the Cover Sleeve **2** from the power tool by turning it anticlockwise.
2. Use the Wrench **8** to provide resistance on the Joint **16** and loosen the Jaw Sleeve **15**.
3. Remove the Jaw Sleeve **15**. This allows access to the Jaws **17** and Pressure Spring **18**.
4. Clean the Jaws **17** and Pressure Spring **18** to remove dust and metal splinters.
5. If necessary, replace the jaws.
6. Reassemble all components in reverse order.



Maintenance

⚠ WARNING To avoid accidents, always disconnect the battery pack from tool before servicing or cleaning.

Service

⚠ WARNING NO USER SERVICEABLE PARTS INSIDE. Preventive maintenance performed by unauthorized personnel may result in misplacing of internal wires and components which could cause serious hazard. We recommend that all tool service be performed by a Bosch Factory Service Center or Authorized Bosch Service Station.

Batteries

Be alert for battery packs that are nearing their end of life. If you notice decreased tool performance or significantly shorter running time between charges then it is time to replace the battery pack. Failure to do so can cause the tool to operate improperly or damage the charger.

Replacing the Built-in Coin Cell

The Bluetooth® Low Energy Module is fitted with a coin cell. You will be notified via the Bosch Toolbox app if the coin cell is too weak or if it is drained. The coin cell replacement must be performed by Bosch or by an after-sales service centre authorised to work with Bosch power tools.

Caution: The coin cell must always be replaced with a coin cell of the same type. There is a risk of explosion.

Remove and dispose of drained coin cell correctly. Drained coin cell may leak and damage the product or cause personal injury.

Tool Lubrication

Your Bosch tool has been properly lubricated and is ready for use.

Motors

The motor in your tool has been engineered for many hours of dependable service. To maintain peak efficiency of the motor, we recommend it be examined every six months. Only a genuine Bosch replacement motor specially designed for your tool should be used.

Cleaning

⚠ CAUTION Certain cleaning agents and solvents damage plastic parts. Some of these are: gasoline, carbon tetrachloride, chlorinated cleaning solvents, ammonia and household detergents that contain ammonia.

Ventilation openings and switch levers must be kept clean and free of foreign matter. Do not attempt to clean by inserting pointed objects through opening.

Accessory Storage & Maintenance

Store accessories in a cool dry place and avoid freezing. Before use check accessory for cracks and fractures, do not use if damage is suspected.

Accessories

⚠ WARNING Do not use attachments/accessories other than those specified by Bosch. Use of attachments/accessories not specified for use with the tool described in this manual may result in damage to tool, property damage, and or personal injury.

Standard equipment	Optional accessories and attachments
<ul style="list-style-type: none">– Nosepieces (multiple sizes)– Mandrel Container– 5/8" (16 mm) Wrench– Belt Clip, Standard	<ul style="list-style-type: none">– Belt Clip, Large

Symboles relatifs à la sécurité





<p>Les définitions ci-dessous décrivent le niveau de gravité pour chaque terme signalant un danger. Veuillez lire le mode d'emploi et lire la signification de ces symboles.</p>	
	<p>C'est le symbole d'alerte relatif à la sécurité. Il est utilisé pour vous avertir de l'existence possible d'un danger de lésion corporelle. Obéissez à tous les messages relatifs à la sécurité qui suivent ce symbole pour éviter tout risque de blessure ou même de mort.</p>
	<p>DANGER indique une situation dangereuse qui, si elle n'est pas évitée, causera la mort d'une personne ou une blessure grave.</p>
	<p>AVERTISSEMENT indique une situation dangereuse qui, si elle n'est pas évitée, causera la mort d'une personne ou une blessure grave.</p>
	<p>MISE EN GARDE indique une situation dangereuse qui, si elle n'est pas évitée, causera une blessure légère ou modérée.</p>

Table des matières

Symboles relatifs à la sécurité	19	Connectivité	33
Consignes générales de sécurité du produit	20	Fonctions de connectivité	33
Règles de sécurité pour outil à riveter sans fil	22	Entretien	34
Avertissements supplémentaires concernant la sécurité	23	Nettoyage ou remplacement des mâchoires	34
Mise en garde de la FCC	23	Service	35
Industrie Canada	24	Piles	35
Spécifications	24	Remplacement de la pile en forme de pièce de monnaie intégrée	35
Utilisation prévue	24	Graissage de l'outil	35
Symboles	25	Moteurs	35
Familiarisez-vous avec votre produit	27	Nettoyage	35
Assemblage	28	Rangement & maintenance des accessoires	35
Insertion et retrait du bloc-piles	28	Accessoires	36
Changement de l'embout avant	28		
Videz le conteneur de mandrins	28		
Opération	29		
Combinaisons de rivets aveugles/embouts avant appropriées	29		
Pose d'un rivet aveugle	30		
Conseils pour l'utilisation	32		
Lampe de travail à DEL	32		
Dispositif de suspension	33		
Agrafe de ceinture	33		

Consignes générales de sécurité du produit

⚠ AVERTISSEMENT Lisez toutes les consignes de sécurité, instructions, illustrations et spécifications fournies avec cet outil électrique. Le non-respect de toutes les instructions figurant ci-après pourrait causer un choc électrique, un incendie et/ou des blessures graves.

CONSERVEZ TOUS LES AVERTISSEMENTS ET TOUTES LES INSTRUCTIONS POUR RÉFÉRENCE FUTURE.

Dans les avertissements, le terme « outil électroportatif » se rapporte à votre outil branché sur le secteur (avec fil) ou à votre outil alimenté par piles (sans fil).

1. Sécurité du lieu de travail

- Maintenez le lieu de travail propre et bien éclairé.** Les risques d'accident sont plus élevés quand on travaille dans un endroit encombré ou sombre.
- N'utilisez pas d'outils électroportatifs dans des atmosphères explosives, comme par exemple en présence de gaz, de poussières ou de liquides inflammables.** Les outils électroportatifs produisent des étincelles qui risquent d'enflammer les poussières ou les vapeurs.
- Éloignez les enfants et les visiteurs quand vous servez d'un outil électroportatif.** Vous risquez une perte de contrôle si on vous distrait.

2. Sécurité électrique

- Les fiches des outils électroportatifs doivent correspondre à la prise. Il ne faut absolument jamais modifier la fiche. N'utilisez pas d'adaptateur de prise avec des outils électroportatifs munis d'une fiche de terre.** Le risque de choc électrique est moindre si on utilise une fiche non modifiée sur une prise qui lui correspond.
- Évitez tout contact du corps avec des surfaces reliées à la terre tels que tuyaux, radiateurs, gazinières ou réfrigérateurs.** Le risque de choc électrique augmente si votre corps est relié à la terre.
- N'exposez pas les outils électroportatifs à la pluie ou à l'humidité.** Si de l'eau pénètre dans un outil électroportatif, le risque de choc électrique augmente.
- Ne maltraitez pas le cordon. Ne vous en servez jamais pour transporter l'outil électroportatif, pour le tirer ou pour le débrancher. Éloignez le cordon de la chaleur, des huiles, des arêtes coupantes ou des pièces mobiles.** Les cordons abîmés ou emmêlés augmentent les risques de choc électrique.
- Si vous utilisez un outil électroportatif à l'extérieur, employez une rallonge conçue pour l'extérieur.** Ces rallonges sont faites pour l'extérieur et réduisent le risque de choc électrique.
- S'il est absolument nécessaire d'utiliser l'outil électroportatif dans un endroit humide, utilisez**

une alimentation protégée par un disjoncteur de fuite de terre (GFCI). L'utilisation d'un disjoncteur GFCI réduit les risques de choc électrique.

3. Sécurité personnelle

- Restez concentré, faites attention à ce que vous faites, et servez-vous de votre bon sens lorsque vous utilisez un outil électroportatif. N'employez pas d'outils électroportatifs quand vous êtes fatigué ou sous l'emprise de drogues, d'alcool ou de médicaments.** Quand on utilise des outils électroportatifs, il suffit d'un moment d'inattention pour causer des blessures corporelles graves.
- Utilisez des équipements de sécurité personnelle.** Portez toujours une protection oculaire. Le port d'équipements de sécurité tels que des masques antipoussières, des chaussures de sécurité antidérapantes, des casques de chantier et des protecteurs d'oreilles dans des conditions appropriées réduira le risque de blessure corporelle.
- Évitez les démarrages intempestifs. Assurez-vous que l'interrupteur est dans la position arrêté (Off) avant de brancher l'outil dans une prise de courant et/ou un bloc-piles, de le ramasser ou de le transporter.** Le transport d'un outil électroportatif avec le doigt sur la gâchette ou le branchement de cet outil quand l'interrupteur est en position de marche (ON) est une invite aux accidents.
- Enlevez toutes les clés de réglage avant de mettre l'outil électroportatif en marche.** Si on laisse une clé sur une pièce tournante de l'outil électroportatif, il y a risque de blessure corporelle.
- Ne vous penchez pas.** Conservez toujours une bonne assise et un bon équilibre. Ceci vous permettra de mieux maîtriser l'outil électroportatif dans des situations inattendues.
- Habillez-vous de manière appropriée. Ne portez pas de vêtements amples ou de bijoux. Attachez les cheveux longs.** N'approchez pas les cheveux, les vêtements ou les gants des pièces en mouvement. Les vêtements amples, les bijoux ou les cheveux longs risquent d'être happés par les pièces en mouvement.

Consignes générales de sécurité du produit

- g. Si l'outil est muni de dispositifs permettant le raccordement d'un système d'aspiration et de collecte des poussières, assurez-vous que ces dispositifs sont raccordés et utilisés correctement. L'utilisation d'un dépoussiéreur peut réduire les dangers associés à l'accumulation de poussière.
- h. Ne laissez pas la familiarité résultant de l'utilisation fréquente des outils vous inciter à devenir complaisant(e) et à ignorer les principes de sécurité des outils. Une action négligente pourrait causer des blessures graves en une fraction de seconde.
- g. Utilisez l'outil électroportatif, les accessoires et les embouts d'outil, etc. conformément à ces instructions, en tenant compte des conditions de travail et des travaux à réaliser. L'emploi d'outils électroportatifs pour des tâches différentes de celles pour lesquelles ils ont été prévus peut résulter en une situation dangereuse.
- h. Gardez les poignées et les surfaces de préhension propres, sèches et exemptes de toute trace d'huile ou de graisse. Les poignées et les surfaces de préhension glissantes ne permettent pas une manipulation et un contrôle sûrs de l'outil dans des situations inattendues.

4. Utilisation et entretien des outils électroportatifs

- a. Ne forcez pas sur l'outil électroportatif. Utilisez l'outil électroportatif qui convient à la tâche à effectuer. L'outil qui convient à la tâche fait un meilleur travail et est plus sûr à la vitesse pour lequel il a été conçu.
- b. Ne vous servez pas de l'outil électroportatif si son interrupteur ne parvient pas à le mettre en marche ou à l'arrêter. Tout outil électroportatif qui ne peut pas être commandé par son interrupteur est dangereux et doit être réparé.
- c. Débranchez la fiche de la prise secteur et/ou retirez le bloc-piles de l'outil électrique (s'il est amovible) avant d'y apporter de quelconques modifications, de changer d'accessoire ou de ranger l'outil électrique. De telles mesures de sécurité préventive réduisent le risque de démarrage intempestif de l'outil électroportatif.
- d. Rangez les outils électroportatifs dont vous ne vous servez pas hors de portée des enfants et ne permettez pas à des personnes qui ne connaissent pas l'outil électroportatif ou qui ignorent ces consignes de s'en servir. Les outils électroportatifs sont dangereux dans les mains d'utilisateurs inexpérimentés.
- e. Entretenez de façon appropriée les outils électriques et les accessoires. Assurez-vous que les pièces en mouvement sont bien alignées et qu'elles ne se coincent pas, qu'il n'y a pas de pièces cassées ou qu'il n'existe aucune situation pouvant affecter le fonctionnement de l'outil électrique. Si l'outil est abîmé, faites-le réparer avant de l'utiliser. De nombreux accidents sont causés par des outils électroportatifs mal entretenus.
- f. Maintenez les outils coupants affûtés et propres. Les outils coupants entretenus correctement et dotés de bords tranchants affûtés sont moins susceptibles de coincer et sont plus faciles à maîtriser.

5. Utilisation et entretien des outils à piles

- a. Rechargez les piles uniquement avec le chargeur spécifié par le fabricant. Un chargeur qui convient à un type de bloc-piles peut entraîner un risque d'incendie quand il est utilisé avec un autre bloc-piles.
- b. Utilisez des outils électroportatifs uniquement avec les bloc-piles spécifiquement désignés pour eux. L'utilisation de tout autre bloc-piles peut créer un risque de blessures et d'incendie.
- c. Lorsque le bloc-piles n'est pas utilisé, gardez-le à distances d'autres objets métalliques tels que des trombones, des pièces de monnaie, des clés, des clous, des vis ou de tout autre objet métallique pouvant faire une connexion entre une borne et une autre. Court-circuiter les bornes des piles peut causer des brûlures ou un incendie.
- d. Dans des conditions abusives, du liquide peut être éjecté de la pile ; dans un tel cas, évitez tout contact avec ce liquide. Si un contact se produit accidentellement, rincez avec de l'eau. Si le liquide entre en contact avec les yeux, consultez un médecin. Du liquide éjecté de la pile peut causer des irritations ou des brûlures.
- e. N'utilisez pas un bloc-piles ou un outil qui est endommagé ou a été modifié. Des piles endommagées ou modifiées peuvent se comporter de façon imprévisible et causer un incendie ou une explosion, ou entraîner des blessures.
- f. N'exposez pas un bloc-piles ou un outil à un incendie ou à une température excessive. L'exposition à un incendie ou à une température supérieure à 265° F (130° C) pourrait causer une explosion.
- g. Suivez toutes les instructions relatives à la charge et ne chargez pas le bloc-piles ou l'outil en dehors de la plage de température indiquée dans les instructions. Une charge dans des conditions appropriées ou à des températures en dehors de

Consignes générales de sécurité du produit

la plage spécifiée pourrait endommager les piles et augmenter le risque d'incendie.

6. Entretien

- a. **Faites réparer votre outil électroportatif par un agent de service qualifié n'utilisant que des pièces de rechange identiques.** Ceci assure que la sécurité de l'outil électroportatif est préservée.

- b. **Ne tentez jamais de réparer des blocs-piles endommagés.** La réparation de blocs-piles ne doit être effectuée que par le fabricant ou un prestataire de services agréé.

Règles de sécurité pour outil à riveter sans fil

- a. **Ne dirigez pas le outil à riveter vers vous ou vers d'autres personnes pendant son utilisation, et ne le mettez sous tension que s'il est face au matériau à riveter.** Le rivet aveugle pourrait être éjecté du outil à riveter et causer des blessures.


- b. **Ne travaillez pas sans un conteneur de mandrins.** Les mandrins de rivets sont éjectés depuis l'arrière du outil à riveter et peuvent causer des blessures.

- c. **En cas d'endommagement et d'emploi inapproprié de la pile, des vapeurs pourront être émises.** La pile peut s'enflammer ou exploser. Veillez à ce que la zone soit bien ventilée, et consultez un médecin si vous ressentez des effets indésirables. Les vapeurs peuvent irriter l'appareil respiratoire.

- d. **N'ouvrez pas la pile.** Il existe un risque de court-circuit.

- e. **Une pile peut être endommagée par des objets pointus tels que des clous ou des tournevis, ou par une force appliquée depuis l'extérieur.** Un court-circuit interne peut se produire, et la pile risque alors brûler, de fumer, d'exploser ou de surchauffer.

- f. **N'utilisez la pile qu'avec des produits du fabricant.** C'est la seule façon de protéger la pile contre une surcharge dangereuse.

- g.  **Protégez la pile contre la chaleur, par exemple contre les rayons intenses et continus du soleil, le feu, les saletés, l'eau et l'humidité.** Il existe un risque d'explosion et de court-circuit.



- h. **Mise en garde !** Lorsque vous utilisez l'outil électrique avec Bluetooth®, des interférences avec d'autres dispositifs et systèmes, des avions et des dispositifs médicaux (p. ex., stimulateurs cardiaques, prothèses auditives) peuvent causer des problèmes à de tels équipements. De même, des lésions causées aux personnes et aux animaux se trouvant dans le voisinage immédiat ne peuvent être totalement exclues. N'utilisez pas l'outil électrique

avec Bluetooth® à proximité d'appareils médicaux, de stations-service, d'usines chimiques, de zones présentant une atmosphère potentiellement explosive ou de zones de dynamitage. N'utilisez pas l'outil électrique avec Bluetooth® dans un avion. Évitez d'utiliser le produit près de votre corps pendant des périodes prolongées.

- i. **La marque du mot Bluetooth® et les logos correspondants sont des marques déposées appartenant à Bluetooth SIG, Inc.,** et toute utilisation de ces marques par Robert Bosch Power Tools GmbH est effectuée sous licence.

- j. **Veillez à ce que la pile en forme de pièce de monnaie soit tenue hors de portée des enfants.** Les piles en forme de pièces de monnaie sont dangereuses.



- k. **Les piles en forme de pièces de monnaie ne doivent jamais être avalées ou insérées dans une autre partie du corps.**

Si vous pensez qu'une personne a avalé une pile en forme de pièce de monnaie ou qu'une pile en forme de pièce de monnaie a pénétré dans le corps d'une autre manière, consultez immédiatement un médecin. L'ingestion de piles en forme de pièces de monnaie peut entraîner de graves brûlures internes et la mort dans les deux heures qui suivent.

- l. **Assurez-vous que le remplacement des piles en forme de pièces de monnaie est effectué de façon appropriée.** Il existe un risque d'explosion.

- m. **N'utilisez que les piles en forme de pièces de monnaie indiquées dans ce mode d'emploi.** N'utilisez pas d'autres piles en forme de pièces de monnaie ou d'autres types d'alimentation électrique.

- n. **Ne tentez pas de recharger la pile en forme de pièce de monnaie et ne court-circuitiez pas la pile en forme de pièce de monnaie.** La pile en forme de pièce de monnaie risque de subir des

Règles de sécurité pour outil à riveter sans fil

- fuites, d'exploser, de prendre feu et de causer des blessures.
- o. Retirez et mettez au rebut correctement la pile en forme de pièce de monnaie déchargée.** Une pile en forme de pièce de monnaie déchargée peut subir des fuites et endommager le produit ou causer des blessures.
 - p. Ne surchauffez pas la pile en forme de pièce de monnaie et ne la jetez pas dans un feu.** La pile en forme de pièce de monnaie risque de subir des fuites, d'exploser, de prendre feu et de causer des blessures.
 - q. N'endommagez pas la pile en forme de pièce de monnaie et ne la démontez pas.** La pile en forme de pièce de monnaie risque de subir des fuites, d'exploser, de prendre feu et de causer des blessures.
 - r. Ne laissez pas les piles en forme de pièces de monnaie endommagées entrer en contact avec l'eau.** Une fuite de lithium peut se mélanger à l'eau et créer de l'hydrogène, ce qui pourrait provoquer un incendie, une explosion ou des blessures.

Avertissements supplémentaires concernant la sécurité

L'emploi d'un GFCI et de dispositifs de protection personnelle tels que gants et chaussures d'électricien en caoutchouc améliorent votre sécurité personnelle.

Créez un agenda d'entretien périodique pour votre outil. Quand vous nettoyez un outil, faites attention de n'en démonter aucune pièce car il est toujours pos-

sible de mal remonter ou de pincer les fils internes ou de remonter incorrectement les ressorts de rappel des capots de protection. Certains agents de nettoyage tels que l'essence, le tétrachlorure de carbone, l'ammoniaque, etc. risquent d'abîmer les plastiques.

Mise en garde de la FCC

Le fabricant n'est pas responsable de toute interférence radio à cause de modifications non autorisées apportées à ce matériel. De telles modifications pourraient annuler l'autorisation accordée à l'utilisateur pour utiliser ce matériel. Cet appareil est conforme à la partie 15 des Règlements de la FCC. Son utilisation est autorisée moyennant le respect des deux conditions suivantes :

1. Cet appareil ne doit pas causer d'interférences nuisibles ; et
2. Cet appareil doit accepter toute interférence reçue, y compris les interférences qui risquent de causer un fonctionnement indésirable.

REMARQUE ! Cet équipement a été testé et jugé conforme aux limites pour un équipement numérique de Classe B en vertu de la Partie 15 des Règlements de la FCC. Ces limites sont conçues pour assurer une protection raisonnable contre les interférences nuisibles dans une installation résidentielle. Cet équipement émet, utilise et peut rayonner de l'énergie de fréquence radio et, s'il n'est pas installé et utilisé conformément aux instructions, il pourrait causer des interférences nuisibles aux communications radio. Cependant, il n'existe aucune garantie qu'aucune interférence ne se produira dans une installation particulière. Si cet équipement cause des interférences nuisibles pour la réception de programmes à la radio ou à la télévision, ce qui peut être déterminé en allumant et en éteignant à

plusieurs reprises l'équipement en question, l'utilisateur est encouragé à corriger l'interférence en prenant une ou plusieurs des mesures suivantes :

- Réorienter ou déplacer l'antenne de réception.
- Augmenter la distance entre l'équipement et le récepteur.
- Connecter l'équipement à une prise de courant raccordée à un circuit différent de celui auquel le récepteur est connecté.
- Consulter le détaillant ou un technicien radio ou télévision expérimenté pour lui demander conseil.

Cet appareil contient un ou des émetteurs/récepteurs exempts de licence conformes aux RSS exempts de licence d'Innovation, Sciences et Développement économique Canada. Le fonctionnement est soumis aux deux conditions suivantes :

- (1) este dispositivo no podrá causar interferencia y
- (2) este dispositivo debe aceptar cualquier interferencia, incluyendo interferencia que pueda causar un funcionamiento no deseado del dispositivo.

Industrie Canada

Cet appareil contient un ou des émetteurs/récepteurs exempts de licence conformes aux RSS exempts de licence d'Innovation, Sciences et Développement économique Canada. Le fonctionnement est soumis aux deux conditions suivantes :

- (1) este dispositivo no podrá causar interferencia y
- (2) este dispositivo debe aceptar cualquier interferencia, incluyendo interferencia que pueda causar un funcionamiento no deseado del dispositivo.

Spécifications

Numéro de modèle	GRG18V-3600C
Tension nominale	18 V
Longueur de la course	1 in.
Force de traction	3,595 lbs.
Poids	4.4 to 6.6 lbs.
Température admissible des piles pendant la charge	+32...+113°F (0...+45°C)
Température ambiante admissible pendant le fonctionnement et le stockage	-4...+122°F (-20...+50°C)
Température ambiante recommandée pendant la charge	+32...+95°F (0...+35°C)

Bloc-piles/chargeurs

Veuillez vous référer à la liste des piles/chargeurs accompagnant votre outil.








REMARQUE : Pour spécifications de l'outil, reportez-vous à la plaque signalétique de votre outil.

Utilisation prévue

Cet outil électrique est destiné à la pose de rivets aveugles.











Symboles

Important : Certains des symboles suivants peuvent être utilisés sur votre outil. Veuillez les étudier et apprendre leur signification. L'interprétation correcte de ces symboles vous aidera à mieux utiliser votre outil et à vous en servir plus efficacement et en toute sécurité.

Symbole	Désignation / Explication
V	Volts (voltage)
A	Ampères (courant)
Hz	Hertz (fréquence, cycles par seconde)
W	Watt (puissance)
kg	Kilogrammes (poids)
lbs	Livres (poids)
min	Minutes (temps)
s	Seconds (temps)
∅	Diamètre (taille des mèches de perceuse, meules, etc.)
n_0	Vitesse à vide (vitesse de rotation, à vide)
n	Vitesse nominale (vitesse maximum pouvant être atteinte)
.../min	Tours ou mouvement alternatif par minute (tours, coups, vitesse en surface, orbites, etc., par minute)
0	Position d'arrêt (vitesse zéro, couple zéro ...)
1, 2, 3, ... I, II, III,	Réglages du sélecteur (Réglages de vitesse, de couple ou de position. Un nombre plus élevé signifie une vitesse plus grande)
	Sélecteur variable à l'infini avec arrêt (La vitesse augmente depuis le réglage 0)
	Flèche (action dans la direction de la flèche)
	Courant alternatif (type ou caractéristique du courant)
	Courant continu (type ou caractéristique du courant)
	Courant alternatif ou continu (type ou caractéristique du courant)
	Construction classe II (désigne des outils construits avec double isolation)
	Borne de terre (borne de mise à la terre)

Symboles

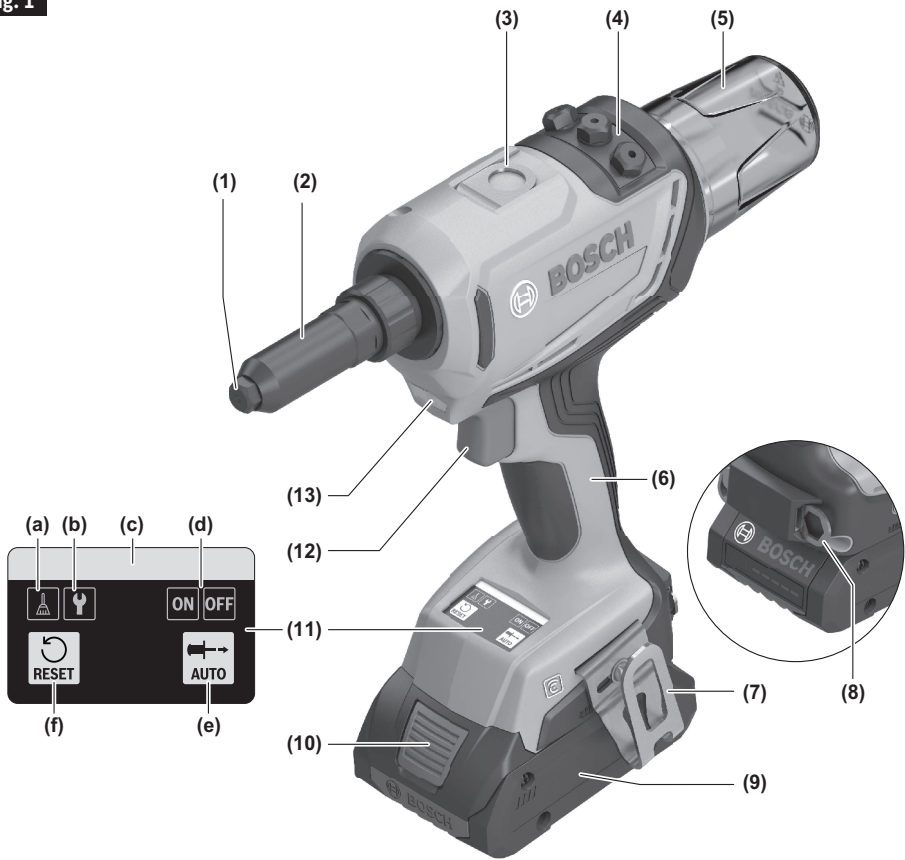
Important : Certains des symboles suivants peuvent être utilisés sur votre outil. Veuillez les étudier et apprendre leur signification. L'interprétation correcte de ces symboles vous aidera à mieux utiliser votre outil et à vous en servir plus efficacement et en toute sécurité.

Symbole	Désignation / Explication
	Alerte l'utilisateur pour lire le mode d'emploi.
	Alerte l'utilisateur pour porter des lunettes de sécurité.
	Alerte l'utilisateur pour porter une protection respiratoire.
	Alerte l'utilisateur pour porter des protecteurs d'oreilles.
	Fait savoir à l'utilisateur qu'il doit porter des protections oculaires, respiratoires et auditives.
	Ce symbole signifie que cet outil est approuvé par Underwriters Laboratories selon les normes des États-Unis et du Canada.
	Ce symbole signifie que cet outil est approuvé par l'Association canadienne de normalisation.
	Ce symbole signifie que cet outil est approuvé par l'Association canadienne de normalisation selon les normes des États-Unis et du Canada.
	Ce symbole signifie que cet outil est approuvé par Intertek Testing Services selon les normes des États-Unis et du Canada.
	Désigne le programme de recyclage des piles Li-ion.

Familiarisez-vous avec votre produit

Outil à riveter sans fil Bosch GRG18V-3600C

Fig. 1



- | | |
|---|--|
| 1 Embout avant | 11 Interface utilisateur |
| 2 Manchette de couverture | a Indicateur : Rappel pour nettoyer les mâchoires |
| 3 Anneau de suspension | b Indicateur : Rappel pour vérifier les mâchoires |
| 4 Chargeur d'embout avant | c Indicateur d'état de l'outil électrique |
| 5 Conteneur de mandrins | d Indicateur des modes de travail |
| 6 Poignée (surface de préhension isolée) | e Bouton AUTO pour sélectionner le mode de travail |
| 7 Agrafe de ceinture | f Bouton de RÉINITIALISATION pour réinitialiser le rappel |
| 8 Clé | 12 Interrupteur de marche/arrêt |
| 9 Bloc-piles* | 13 Lampe de travail à DEL |
| 10 Bouton d'éjection des piles* | |

* Vendu séparément

Assemblage

⚠ AVERTISSEMENT Débranchez le bloc-piles de l'outil avant d'effectuer tout assemblage ou réglage, ou de changer des accessoires. Ces mesures de sécurité préventives réduisent le risque d'une mise en marche accidentelle de l'outil.

Insertion et retrait du bloc-piles

(Fig. 1)

Pour insérer le bloc-piles :

1. Faites glisser le bloc-piles chargé **9** dans le bâti jusqu'à ce que le bloc-piles se bloque en position.

Pour vérifier si le bloc-piles est verrouillé en place, tirez légèrement sur le bloc-piles dans le sens opposé. Si le bloc-piles bouge, n'utilisez pas l'outil et répétez la procédure d'insertion jusqu'à ce que le bloc-piles soit verrouillé en place et ne glisse pas vers l'arrière.

Votre outil est muni d'un loquet de verrouillage secondaire qui empêche le bloc-piles de se séparer complètement de la poignée et de tomber au cas où il viendrait à se décrocher à cause des vibrations.

Pour retirer le bloc-piles :

1. Appuyez sur le bouton de déclenchement du bloc-piles **10** et faites glisser le bloc-piles vers l'avant.
2. Appuyez une fois de plus sur le bouton de déclenchement du bloc-piles **10** et faites glisser le bloc-piles jusqu'à ce qu'il sorte complètement du bâti de l'outil.

Changement de l'embout avant

(Fig. 2)

Le chargeur d'embout avant 4 contient des embouts de trois tailles différentes, ce qui permet à l'utilisateur de remplacer rapidement ces embouts.

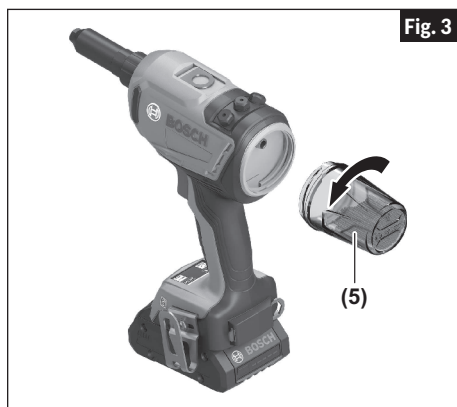
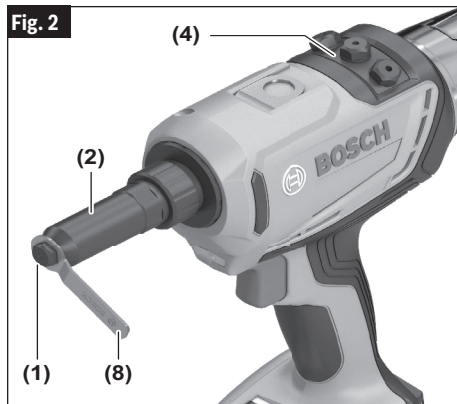
1. Utilisez la clé **8** pour dévisser l'embout avant **1** de la douille de protection **2**.
2. Vissez le nouvel embout avant **1** et serrez-le à l'aide de la clé **9**.

Videz le conteneur de mandrins

(Fig. 3)

Videz toujours le conteneur de mandrins **5** pour les mandrins de rivets cassés avant qu'il ne soit complètement plein afin d'éviter les blocages.

1. Dévissez le conteneur de mandrins **5** en le tournant dans le sens inverse des aiguilles d'une montre.
2. Videz le conteneur de mandrins **5** dans une poubelle de recyclage ou de déchets appropriée.
3. Vissez à nouveau le conteneur de mandrins **5** sur l'outil électrique en le tournant dans le sens des aiguilles d'une montre.



Opération

⚠ AVERTISSEMENT Débranchez le bloc-piles de l'outil avant d'effectuer tout assemblage ou réglage, ou de changer des accessoires. Ces mesures de sécurité préventives réduisent le risque d'une mise en marche accidentelle de l'outil.

Combinaisons de rivets aveugles/embouts avant appropriées

L'utilisation d'une combinaison ne figurant pas dans le tableau ci-dessous peut entraîner une mauvaise fixation ou un mauvais fonctionnement de l'outil électrique.

Rivet aveugle	Embout avant	
Taille	Étiquetage :	Diamètre du trou
Dia. 1/8" (3.0 mm) Dia. 1/8" (3.2 mm)	1/8" (3.0/3.2)	Dia. 0.09" (2.3-2.4 mm)
Dia. 5/32" (4.0 mm)	5/32" (4.0)	Dia. 0.11" (2.7-2.8 mm)
Dia. 3/16" (4.8 mm) Dia. 3/16" (5.0 mm)	3/16" (4.8/5.0)	Dia. 0.13" (3.3-3.4 mm)
Dia. 1/4" (6.0 mm) Dia. 1/4" (6.4 mm)	1/4" (6.4)	Dia. 0.18" (4.6-4.7 mm)

Opération

Pose d'un rivet aveugle

(Fig. 2, 4, 5, 6)

1. Préparez les pièces à raccorder. Si aucun trou n'est encore disponible, pré-percez les pièces.
2. Choisissez un embout avant approprié **1**. Vissez l'embout avant sur la douille de protection 2 et serrez-le avec la clé **8** (Fig. 2).
3. Utilisez le bouton AUTO **11e** pour sélectionner le mode de travail souhaité (voir la rubrique intitulée « Sélection du mode de travail », page 31).
4. Insérer le mandrin du rivet aveugle **14** dans l'embout avant **1** (Fig. 4).
5. Tenez fermement l'outil électrique et poussez le rivet aveugle pour l'enfoncer dans le trou pilote (Fig. 5).
6. En fonction du mode de travail, appuyez sur l'interrupteur de marche/arrêt **12** et attendez que le mandrin du rivet se soit détaché.
7. Inclinez l'outil électrique vers l'arrière de manière à ce que le mandrin du rivet puisse tomber dans le conteneur de mandrins **5** (Fig. 6).

Remarque : Après avoir posé le rivet aveugle, assurez-vous que le mandrin du rivet qui s'est détaché est tombé dans le conteneur de mandrins avant de poser le rivet aveugle suivant.

Fig. 4

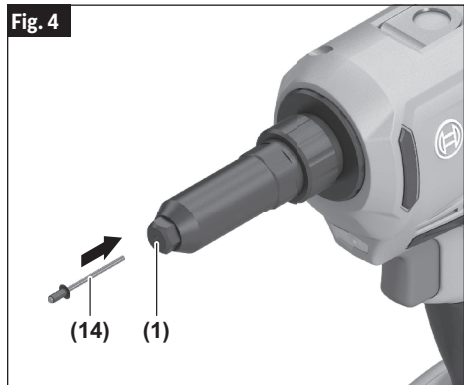


Fig. 5

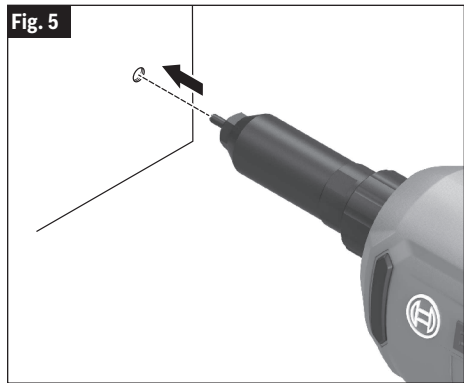
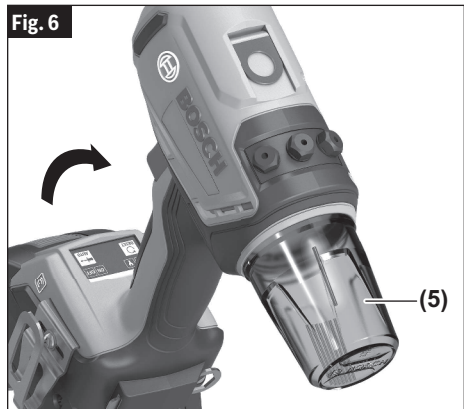


Fig. 6



Opération

Interface utilisateur

(Fig. 7)

L'interface utilisateur **11** est utilisée pour sélectionner le mode de travail et pour indiquer le statut de l'outil électrique.

Indicateur : Rappel pour nettoyer/contrôler les mâchoires



Si le rappel **11a** ou **11b** s'allume, vous devez vérifier les mâchoires **17**. Si nécessaire, nettoyez les mâchoires (voir la rubrique intitulée « Nettoyage ou remplacement des mâchoires », page 34).

Ne réinitialisez le rappel qu'après avoir vérifié les mâchoires. Pour ce faire, appuyez sur le bouton de RÉINITIALISATION **11f** et maintenez-le enfoncé pendant deux secondes.

Indicateur d'état de fonctionnement

Indicateur d'état de fonctionnement 11c Signification	Signification
—	L'interrupteur de l'outil électrique est en position hors tension.
Vert	Outil électrique mis sous tension et prêt à être utilisé
Jaune	Message d'avertissement
Rouge	Message d'erreur
Bleu (clignotant)	Transfert de données

Alerts

Problème	Affichage (voir Fig. 7)	Couleur d'affichage	Cause	Mesure corrective
Message d'alerte		Jaune	Jaws 17 dirty	Clean the Jaws 17
		Jaune	Jaws 17 worn	Check and, if required, replace the Jaws 17


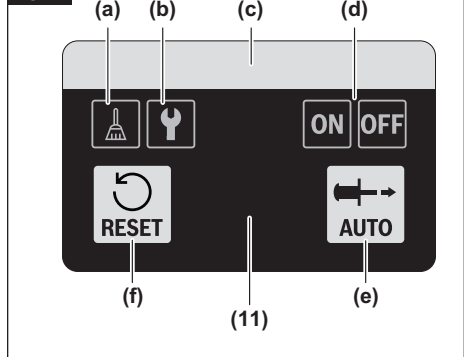
Problème	Affichage de l'application Toolbox	Couleur d'affichage	Cause	Mesure corrective
Message d'alerte		Jaune	Mâchoires 17 sales	Nettoyez les mâchoires 17

Fig. 7



Sélection du mode de travail

Le bouton AUTO **11e** peut être utilisé pour choisir entre deux modes de travail.

— Mode de travail AUTO ACTIVÉ :

Pour poser un rivet aveugle, appuyez brièvement sur l'interrupteur de marche/arrêt **12**, puis relâchez-le. Le processus de rivetage est réalisé automatiquement.










Avantage : Rivetage pratique

— Mode de travail AUTO DÉSACTIVÉ :

Pour poser un rivet aveugle, appuyez et maintenez l'interrupteur de marche/arrêt **12** jusqu'à ce que le mandrin du rivet se soit détaché. Relâchez ensuite l'interrupteur de marche/arrêt **12** afin de terminer le processus de rivetage.

Avantage : Rivetage rapide (en fonction de la combinaison rivet aveugle/embout avant qui est utilisée)

Opération

Problème	Affichage de l'application Toolbox	Couleur d'affichage	Cause	Mesure corrective
Message d'alerte		Jaune	Mâchoires 17 usées	Vérifiez et, si nécessaire, remplacez les mâchoires 17
		Jaune	État de charge de la pile rechargeable 9 faible	Remplacez ou chargez la pile rechargeable 9
		Jaune	Pile rechargeable 9 presque surchauffée	Remplacez la pile rechargeable 9 Ou Éteignez l'outil électrique et laissez-le refroidir pendant 3 à 5 minutes jusqu'à ce que l'indicateur d'état de fonctionnement 11c s'allume en vert.
		Jaune	Électronique presque surchauffée	Éteignez l'outil électrique et laissez-le refroidir jusqu'à ce que l'indicateur d'état de fonctionnement 16 s'allume en vert.
		Jaune	Mâchoires 17 non en position de travail/neutre	Appuyez sur l'interrupteur de marche/arrêt 12 pour que les mâchoires 17 reviennent en position de travail/neutre.
Message d'erreur		Rouge	État de charge critique de la pile rechargeable 9	Remplacez ou chargez immédiatement la pile rechargeable 9 .
		Rouge	Pile rechargeable 9 surchauffée	Remplacez immédiatement la pile rechargeable 9 . Ou Éteignez immédiatement l'outil électrique et laissez-le refroidir pendant 3 à 5 minutes jusqu'à ce que l'indicateur d'état de fonctionnement 11c s'allume en vert.
		Rouge	L'électronique a surchauffé.	Éteignez immédiatement l'outil électrique et laissez-le refroidir jusqu'à ce que l'indicateur d'état de fonctionnement 11c s'allume en vert.
		Rouge	Mâchoires 17 coincées	Nettoyez les mâchoires et, si nécessaire, remplacez-les.

Conseils pour l'utilisation

L'outil électrique avec un module Bluetooth® à faible consommation d'énergie intégré est équipé d'une interface radio. Il faut observer les restrictions d'utilisation locales, p. ex., dans les avions ou dans les hôpitaux.

Dans les zones où la technologie sans fil Bluetooth® ne doit pas être utilisée, le module Bluetooth® à faible consommation d'énergie doit être désactivé par le biais de l'application.

Lampe de travail à DEL

La lampe de travail à DEL 13 améliore la visibilité dans la zone de travail immédiate. Elle s'allume automatiquement quand on appuie sur l'interrupteur de marche/arrêt 12.

Opération

Dispositif de suspension

Vous pouvez utiliser l'anneau de suspension 3 pour fixer l'outil électrique à un dispositif de suspension (par exemple, sur une ligne de production).

Pour ce faire, pliez l'anneau de suspension 3 vers le haut.

Vérifiez régulièrement l'état de l'anneau de suspension et du crochet du dispositif de suspension.

Agrafe de ceinture

Vous pouvez utiliser l'agrafe de ceinture 7 pour attacher l'outil électrique à votre ceinture de manière pratique.

Connectivité

Fonctions de connectivité

Configuration du système requise pour l'utilisation de l'application


Configuration du système requise	
Dispositif mobile (tablette, téléphone intelligent)	Android 6 (et plus récent)
	iOS 11 (et plus récent)

Installation et configuration de l'appli

Vous devrez installer l'application spécifique au dispositif avant de pouvoir utiliser les fonctions de connectivité.

- Téléchargez l'appli en vous rendant dans la boutique d'applications correspondante (Apple App Store, Google Play Store).

Remarque : Pour ce faire, vous devez disposer d'un compte utilisateur auprès de la boutique d'applications concernée.

App name	iOS	Android
Bosch Toolbox		

- Sélectionnez ensuite la sous-rubrique MyTools ou Connectivity dans l'application.
- L'écran de votre dispositif mobile affiche toutes les étapes à suivre ultérieurement pour connecter l'outil électrique au dispositif mobile.

Transfert de données par le biais de Bluetooth®

Le module Bluetooth® à faible consommation d'énergie intégré envoie un signal à intervalles réguliers. En fonction des conditions ambiantes, de multiples intervalles de transmission peuvent être nécessaires avant que l'outil électrique puisse être détecté. Si l'outil électrique n'est pas détecté, vérifiez ce qui suit :

- La distance par rapport au dispositif mobile est-elle trop longue ? Réduisez la distance entre le dispositif mobile et l'outil électrique.
- La pile en forme de pièce de monnaie du module Bluetooth® à faible consommation d'énergie intégré est-elle trop faiblement chargée ou complètement déchargée ? Contactez un centre de service après-vente agréé pour les outils électriques Bosch afin de remplacer la pile en forme de pièce de monnaie.
- Désactivez et activez à nouveau l'interrupteur Bluetooth® sur votre dispositif mobile. Vérifiez si l'outil électrique est maintenant détecté.

Fonctions en conjonction avec l'outil électrique

En conjonction avec le module Bluetooth® à faible consommation d'énergie, les fonctions de connectivité suivantes sont disponibles pour l'outil électrique :

- Enregistrement et personnalisation
- Contrôle de l'état de fonctionnement, production de messages d'avertissement et de messages d'erreur
- Informations et réglages généraux (par exemple, intervalle de rappel pour le contrôle des mâchoires)
- Gestion

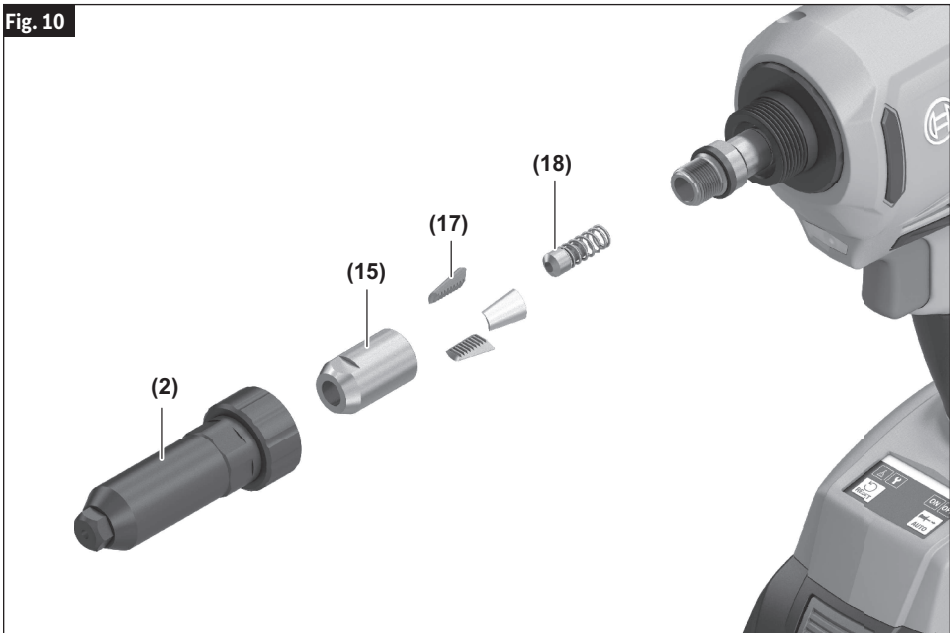
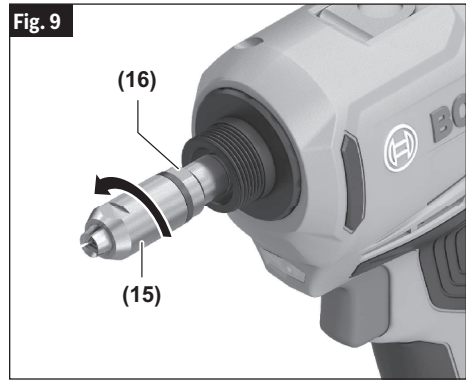
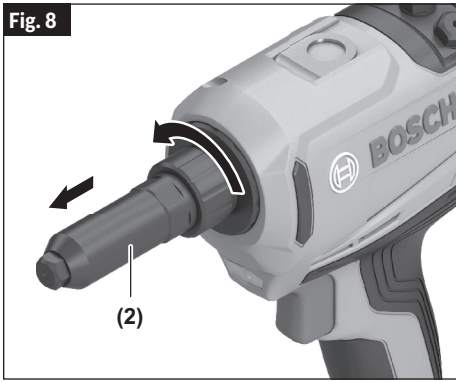
Entretien

Nettoyage ou remplacement des mâchoires

(Fig. 8, 9, 10)

1. Retirez le manchon de protection 2 de l'outil électrique en le tournant dans le sens inverse des aiguilles d'une montre.
2. Utilisez la clé 8 pour opposer une résistance au joint 16 et desserrer le manchon de la mâchoire 15.

3. Retirez le manchon de la mâchoire 15. Cela permet d'accéder aux mâchoires 17 et au ressort à pression 18.
4. Nettoyez les mâchoires 17 et le ressort à pression 18 pour éliminer la poussière et les éclats de métal.
5. Si nécessaire, remplacez les mâchoires.
6. Remontez tous les composants dans l'ordre inverse.



Entretien



AVERTISSEMENT

Pour éviter les accidents, débranchez toujours l'outil et/ou le chargeur de la source de courant avant de nettoyer.

Service



IL N'EXISTE À L'INTÉRIEUR AUCUNE PIÈCE

SUSCEPTIBLE D'ÊTRE ENTRE TENUE PAR L'UTILISATEUR. L'entretien préventif exécuté par des personnes non autorisés peut entraîner un positionnement erroné des composants et des fils internes, ce qui peut présenter de graves dangers. Nous recommandons de confier toute intervention d'entretien sur l'outil à un centre de service-usine Bosch ou à un centre de service après-vente Bosch agréé.

Piles

Faire attention aux blocs-piles qui approchent la fin de leur vie. Si vous remarquez une diminution dans les performances de votre outil ou une durée de fonctionnement réduite de manière significative entre charges, il est temps de remplacer le bloc-piles. S'il n'est pas remplacé, il se peut qu'il endommage le chargeur ou que l'outil fonctionne incorrectement.

Remplacement de la pile en forme de pièce de monnaie intégrée

Le module Bluetooth® à faible consommation d'énergie est équipé d'une pile en forme de pièce de monnaie. L'application Bosch Toolbox vous avertira si la pile en forme de pièce de monnaie a une charge trop faible ou si elle est complètement déchargée. Le remplacement de la pile en forme de pièce de monnaie doit être effectué par Bosch ou par un centre de service après-vente autorisé à travailler avec les outils électriques Bosch.

- Mise en garde : La pile en forme de pièce de monnaie doit toujours être remplacée par une pile en forme de pièce de monnaie de même type. Il existe un risque d'explosion.
- Retirez et mettez au rebut correctement la pile en forme de pièce de monnaie déchargée. Une pile en

forme de pièce de monnaie déchargée peut subir des fuites et endommager le produit ou causer des blessures.

Graissage de l'outil

Votre outil Bosch a été graissé de manière appropriée et il est prêt à l'usage.

Moteurs

Le moteur de votre outil a été conçu pour de nombreuses heures d'utilisation fiable. Pour maintenir l'efficacité maximale du moteur, nous recommandons de l'examiner tous les six mois. Seul un moteur de remplacement Bosch authentique, conçu spécialement pour votre outil, doit être utilisé.

Nettoyage



CERTAINS AGENTS DE NETTOYAGES ET CERTAINS DISSOLVANTS ABÎMENT LES PIÈCES EN PLASTIQUE.

Parmi ceux-ci se trouvent: l'essence, le tétrachlorure de carbone, les dissolvants de nettoyage chlorés, l'ammoniaque ainsi que les détergents domestiques qui en contiennent.

Les prises d'air et les leviers de commutation doivent être gardés propres et exempts de corps étrangers. Ne tentez pas de nettoyer en insérant des objets pointus à travers l'ouverture.

Rangement & maintenance des accessoires

Rangez les accessoires dans un endroit frais et sec, et évitez le gel. Avant de vous en servir, inspectez les accessoires pour vous assurer qu'ils ne sont pas fissurés ou fracturés ; ne les utilisez pas si vous suspectez qu'ils sont endommagés.

Accessoires

⚠ AVERTISSEMENT N'utilisez pas d'attache-ments/d'accessoires autres que ceux qui sont spécifiés par Bosch. L'utilisation d'attache-ments/d'accessoires non spécifiés pour une utilisation avec l'outil décrit dans ce mode d'emploi peut entraîner des dommages à l'outil, des dommages matériels ou des blessures.

Équipement standard	Accessoires et attachements en option
<ul style="list-style-type: none">- Embouts avant (plusieurs tailles)- Conteneur de mandrins- Clé de 16 mm- Agrafe de ceinture, standard	<ul style="list-style-type: none">- Agrafe de ceinture, grande

Símbolos de seguridad





Las definiciones que aparecen a continuación describen el nivel de gravedad de cada palabra de aviso. Por favor, lea el manual y preste atención a estos símbolos.	
	Este es el símbolo de alerta de seguridad. Se utiliza para alertarle a usted de posibles peligros de lesiones corporales. Obedezca todos los mensajes de seguridad que sigan a este símbolo para evitar posibles lesiones o la muerte.
	PELIGRO indica una situación peligrosa que, si no se evita, causará la muerte o lesiones graves.
	ADVERTENCIA indica una situación peligrosa que, si no se evita, podría causar la muerte o lesiones graves.
	PRECAUCIÓN indica una situación peligrosa que, si no se evita, podría causar lesiones leves o moderadas.

Tabla de contenido

Símbolos de seguridad	37	Mantenimiento	52
Advertencias generales de seguridad para el producto	38	Limpieza o reemplazo de las mandíbulas	52
Normas de seguridad para remachadora inalámbrica	40	Servicio	53
Advertencias de seguridad adicionales	41	Baterías	53
Precaución de la FCC	41	Reemplazo de la batería tipo moneda incorporada	53
Industry Canada	42	Lubricación de las herramientas	53
Especificaciones	42	Motores	53
Uso previsto	42	Limpieza	53
Símbolos	43	Almacenamiento y mantenimiento de los accesorios	53
Conociendo su producto	45		
Ensamblaje	46		
Introducción y suelta del paquete de baterías	46		
Cambio de la pieza frontal	46		
Vacíe el recipiente para mandriles	46		
Combinaciones adecuadas de remaches ciegos/piezas frontales	47		
Colocación de un remache ciego	48		
Interfaz del usuario	49		
Consejos de trabajo	50		
Luz de trabajo LED	51		
Clip de cinturón	51		
Conectividad	51		
Funciones de conectividad	51		

Advertencias generales de seguridad para el producto

⚠️ ADVERTENCIA Lea todas las advertencias de seguridad, instrucciones, ilustraciones y especificaciones suministradas con esta herramienta eléctrica. Si no se siguen todas las instrucciones que se indican a continuación, es posible que el resultado sea descargas eléctricas, incendio y/o lesiones graves.

GUARDE TODAS LAS ADVERTENCIAS E INSTRUCCIONES PARA REFERENCIA FUTURA.

La expresión "herramienta eléctrica" que se incluye en las advertencias se refiere a su herramienta eléctrica alimentada por la red eléctrica (alámbrica) o su herramienta eléctrica alimentada por baterías (inalámbrica).

1. Seguridad del área de trabajo

- Mantenga el área de trabajo limpia y bien iluminada.** Las áreas desordenadas u oscuras invitan a que se produzcan accidentes.
- No utilice herramientas mecánicas en atmósferas explosivas, como por ejemplo en presencia de líquidos, gases o polvos inflamables.** Las herramientas mecánicas generan chispas que pueden incendiar el polvo o los vapores.
- Mantenga alejados a los niños y a las personas que estén presentes mientras esté utilizando una herramienta mecánica.** Las distracciones pueden hacerle perder el control de la herramienta.

2. Seguridad eléctrica

- Los enchufes de las herramientas mecánicas deben coincidir con el tomacorriente. No modifique nunca el enchufe de ningún modo. No use enchufes adaptadores con herramientas mecánicas conectadas a tierra (puestas a tierra).** Los enchufes no modificados y los tomacorrientes coincidentes reducirán el riesgo de sacudidas eléctricas.
- Evite el contacto del cuerpo con las superficies conectadas o puestas a tierra, tales como tuberías, radiadores, estufas y refrigeradores.** Hay un aumento del riesgo de sacudidas eléctricas si el cuerpo del operador se conecta o pone a tierra.
- No exponga las herramientas mecánicas a la lluvia o a condiciones mojadas.** La entrada de agua en una herramienta mecánica aumentará el riesgo de que se produzcan sacudidas eléctricas.
- No maltrate el cordón de energía. No use nunca el cordón para transportar la herramienta mecánica, tirar de ella o desenchufarla. Mantenga el cordón alejado del calor, el aceite, los bordes afilados o las piezas móviles.** Los cordones dañados o enganchados aumentan el riesgo de que se produzcan sacudidas eléctricas.
- Cuando utilice una herramienta mecánica en el exterior, use un cordón de extensión adecuado para uso a la intemperie.** La utilización de un

cordón adecuado para uso a la intemperie reduce el riesgo de que se produzcan sacudidas eléctricas.

- Si es inevitable utilizar una herramienta mecánica en un lugar húmedo, utilice una fuente de energía protegida por un interruptor de circuito accionado por corriente de pérdida a tierra (GFCI).** El uso de un GFCI reduce el riesgo de sacudidas eléctricas.

3. Seguridad personal

- Manténgase alerta, fíjese en lo que está haciendo y use el sentido común cuando esté utilizando una herramienta mecánica. No use una herramienta mecánica cuando esté cansado o bajo la influencia de drogas, alcohol o medicamentos.** Un momento de distracción mientras esté utilizando herramientas mecánicas podría causar lesiones corporales graves.
- Use equipo de protección personal.** Use siempre protección de los ojos. El equipo de protección, como por ejemplo una máscara antipolvo, calzado de seguridad antideslizante, casco o protección de oídos, utilizado para las condiciones apropiadas, reducirá las lesiones corporales.
- Evite el arranque accidental. Asegúrese de que el interruptor esté en la posición de apagado antes de conectar la herramienta a la fuente de energía y / o al paquete de batería, levantar la herramienta o transportarla.** Transportar herramientas mecánicas con un dedo en el interruptor o encender herramientas mecánicas que tengan el interruptor en la posición de encendido invita a que se produzcan accidentes.
- Quite todas las llaves de ajuste o de tuerca antes de encender la herramienta mecánica.** Una llave de tuerca o de ajuste que se deje colocada en una pieza giratoria de la herramienta mecánica podría causar lesiones corporales.
- No intente alcanzar demasiado lejos.** Mantenga un apoyo de los pies y un equilibrio apropiados en todo momento. Esto permite controlar mejor la herramienta mecánica en situaciones inesperadas.
- Vístase adecuadamente. No use ropa holgada ni alhajas holgadas. Mantenga el pelo y la ropa**

Advertencias generales de seguridad para el producto

de las piezas móviles. La ropa holgada, las alhajas holgadas o el pelo largo pueden quedar atrapados en las piezas móviles.

- g. Si se proporcionan dispositivos para la conexión de instalaciones de extracción y recolección de polvo, asegúrese de que dichas instalaciones estén conectadas y se usen correctamente.** El uso de dispositivos de recolección de polvo puede reducir los peligros relacionados con el polvo.
- h. No deje que la familiaridad obtenida del uso frecuente de las herramientas le permita volverse complaciente e ignorar los principios de seguridad de las herramientas.** Una acción descuidada puede causar lesiones graves en una fracción de segundo.

4. Uso y cuidado de las herramientas mecánicas

- a. No fuerce la herramienta mecánica. Use la herramienta mecánica correcta para la aplicación que desee realizar.** La herramienta mecánica correcta hará el trabajo mejor y con más seguridad a la capacidad nominal para la que fue diseñada.
- b. No use la herramienta mecánica si el interruptor no la enciende y apaga.** Toda herramienta mecánica que no se pueda controlar con el interruptor es peligrosa y debe ser reparada.
- c. Desconecte el enchufe de la fuente de alimentación y/o retire el paquete de batería de la herramienta eléctrica antes de hacer cualquier ajuste, cambiar accesorios o almacenar herramientas eléctricas.** Dichas medidas preventivas de seguridad reducen el riesgo de arrancar accidentalmente la herramienta mecánica.
- d. Guarde las herramientas que no esté usando fuera del alcance de los niños y no deje que personas que no estén familiarizadas con la herramienta mecánica o con estas instrucciones utilicen la herramienta.** Las herramientas mecánicas son peligrosas en manos de usuarios que no hayan recibido capacitación.
- e. Mantenga las herramientas eléctricas y sus accesorios. Compruebe si hay piezas móviles desalineadas o atoradas, si hay piezas rotas y cualquier otra situación que pueda afectar al funcionamiento de la herramienta eléctrica. Si la herramienta eléctrica está dañada, haga que sea reparada antes de utilizarla.** Muchos accidentes son causados por herramientas mecánicas mantenidas deficientemente.
- f. Mantenga las herramientas de corte afiladas y limpias.** Es menos probable que las herramientas de corte mantenidas apropiadamente, con bordes de

corte afilados, se atoren, y dichas herramientas son más fáciles de controlar.

- g. Utilice la herramienta mecánica, los accesorios, las brocas de la herramienta, etc., de acuerdo con estas instrucciones, teniendo en cuenta las condiciones de trabajo y el trabajo que se vaya a realizar.** El uso de la herramienta mecánica para operaciones distintas a aquéllas para las que fue diseñada podría causar una situación peligrosa.
- h. Mantenga los mangos y las superficies de agarre secos, limpios y libres de aceite y grasa.** Los mangos resbalosos y las superficies de agarre resbalosas no permiten un manejo y un control seguros de la herramienta en situaciones inesperadas.

5. Uso y cuidado de las herramientas alimentadas por baterías

- a. Recargue las baterías solamente con el cargador especificado por el fabricante.** Un cargador que es adecuado para un tipo de paquete de batería puede crear un riesgo de incendio cuando se utiliza con otro paquete de batería.
- b. Utilice las herramientas mecánicas solamente con paquetes de batería designados específicamente.** El uso de cualquier otro paquete de batería puede crear un riesgo de lesiones e incendio.
- c. Cuando el paquete de batería no se esté usando, manténgalo alejado de otros objetos metálicos, tales como sujetapapeles, monedas, llaves, clavos, tornillos u otros objetos metálicos pequeños que pueden hacer una conexión de un terminal a otro.** Si se cortocircuitan los terminales de la batería uno con otro, se pueden causar quemaduras o un incendio.
- d. En condiciones abusivas, es posible que se eyecte líquido de la batería. Evite el contacto. Si se produce un contacto accidental, enjuáguese con agua. Si el líquido entra en contacto con los ojos, obtenga además ayuda médica.** El líquido que salga eyectado de la batería puede causar irritación o quemaduras.
- e. No utilice un paquete de batería o una herramienta que hayan sido dañados o modificados.** Es posible que las baterías dañadas o modificadas exhiban un comportamiento impredecible que cause un incendio, una explosión o riesgo de lesiones.
- f. No exponga un paquete de batería o una herramienta a un fuego o una temperatura excesiva.** Es posible que la exposición a un fuego o una temperatura superior a 265 °F cause una explosión.
- g. Siga todas las instrucciones de carga y no cargue el paquete de batería ni la herramienta fuera del**

Advertencias generales de seguridad para el producto

intervalo de temperatura especificado en las instrucciones. Es posible que realizar una carga incorrectamente o a temperaturas que estén fuera del intervalo especificado dañe la batería y aumente el riesgo de incendio.

6. Servicio de ajustes y reparaciones

a. **Haga que su herramienta mecánica reciba servicio de un técnico de reparaciones calificado, utilizando únicamente piezas de repuesto idénticas.** Esto asegurará que se mantenga la seguridad de la herramienta mecánica.

b. **No haga nunca servicio de ajustes y reparaciones de paquetes de batería dañados.** El servicio de ajustes y reparaciones de los paquetes de batería deberá ser realizado únicamente por el fabricante o por proveedores de servicio autorizados.

Normas de seguridad para remachadora inalámbrica

a. **No dirija la remachadora hacia usted ni hacia otras personas durante el uso y no trabaje sin el material en el que se vayan a colocar remaches.** El remache ciego puede ser expulsado de la remachadora y causar lesiones.


b. **No trabaje sin un recipiente para mandriles.** Los mandriles de los remaches son expulsados por la parte trasera de la remachadora y pueden causar lesiones.

c. **En caso de daños y un uso incorrecto de la batería, es posible que se emitan vapores.** La batería puede incendiarse o explotar. Asegúrese de que el área esté bien ventilada y obtenga atención médica en el caso de que sufra cualquier efecto adverso. Es posible que los vapores irriten el sistema respiratorio.

d. **No abra la batería.** Existe un riesgo de que se cortocircuite.

e. **La batería puede ser dañada por objetos puntiagudos, tales como clavos o destornilladores, o por una fuerza aplicada externamente.** Es posible que se produzca un cortocircuito interno, que hará que la batería arda, humee, explote o se sobrecaliente.

f. **Utilice solo la batería con productos del fabricante.** Esta es la única manera en que usted puede proteger la batería contra una sobrecarga peligrosa.

g.  **Proteja la batería contra el calor, p. ej.,** contra la luz solar intensa continua, el fuego, la suciedad, el agua y la humedad. Existe un riesgo de explosión y cortocircuitos.

h. **¡Precaución!** Cuando utilice la herramienta eléctrica con Bluetooth®, es posible que se produzca una falla en otros dispositivos y sistemas, aviones y dispositivos médicos (p. ej., marcapasos, audífonos).

Además, los daños a las personas y los animales que estén en las inmediaciones no se pueden excluir completamente. No utilice la herramienta eléctrica con Bluetooth® en las proximidades de dispositivos médicos, gasolineras, plantas químicas o áreas con una atmósfera potencialmente explosiva, ni en áreas de explosiones. No utilice la herramienta eléctrica con Bluetooth® en aeronaves. Evite utilizar el producto cerca del cuerpo durante períodos prolongados.

i. **La marca denominativa y los logotipos Bluetooth® son marcas registradas pertenecientes a Bluetooth SIG, Inc.,** y cualquier uso de dichas marcas por Robert Bosch Power Tools GmbH es bajo licencia.

j. **Asegúrese de que la batería tipo moneda se mantenga fuera del alcance de los niños.** Las baterías tipo moneda son peligrosas.



k. **Las baterías tipo moneda no deben tragarse nunca ni insertarse nunca en ninguna otra parte del cuerpo.** Si sospecha que alguien se ha tragado una batería tipo moneda o que una batería tipo moneda ha entrado en el cuerpo de otra manera, obtenga atención médica inmediatamente. Si se tragan baterías tipo moneda, el resultado puede ser quemaduras internas graves y la muerte en las 2 horas posteriores.

l. **Asegúrese de que el reemplazo de la batería tipo moneda se lleve a cabo correctamente.** Existe un riesgo de explosión.

m. **Utilice solo las baterías tipo moneda indicadas en este manual de utilización.** No utilice ninguna otra

Normas de seguridad para remachadora inalámbrica

batería tipo moneda ni otras formas de fuente de alimentación eléctrica.

- n. No intente recargar la batería tipo moneda ni la cortocircuite.** Es posible que la batería tipo moneda tenga fugas, explote, se incendie y cause lesiones corporales.
- o. Retire y deseche correctamente las baterías tipo moneda que estén agotadas.** Es posible que una batería tipo moneda que esté agotada tenga fugas y dañe el producto o cause lesiones corporales.
- p. No sobrecaliente la batería tipo moneda ni la arroje a un fuego.** Es posible que la batería tipo moneda tenga fugas, explote, se incendie y cause lesiones corporales.

- q. No dañe la batería tipo moneda ni la desarme.** Es posible que la batería tipo moneda tenga fugas, explote, se incendie y cause lesiones corporales.
- r. No deje que las baterías tipo moneda dañadas entren en contacto con agua.** Es posible que el litio que se fugue se mezcle con agua para producir hidrógeno, lo cual podría causar un incendio, una explosión o lesiones corporales.

Advertencias de seguridad adicionales

Un GFCI y los dispositivos de protección personal, como guantes de goma y calzado de goma de electricista, mejorarán más su seguridad personal.

Desarrolle un programa de mantenimiento periódico de la herramienta. Cuando limpie una herramienta, tenga cuidado de no desmontar ninguna de sus partes,

ya que los cables internos podrían reubicarse incorrectamente o pellizcarse, o los resortes de retorno de los protectores de seguridad podrían montarse incorrectamente. Ciertos agentes de limpieza, tales como gasolina, tetracloruro de carbono, amoníaco, etc., podrían dañar las piezas de plástico.

Precaución de la FCC

El fabricante no es responsable de la interferencia radioeléctrica causada por modificaciones no autorizadas a este equipo. Dichas modificaciones podrían anular la autoridad del usuario para utilizar el equipo. Este dispositivo cumple con la Parte 15 de las Reglas de la FCC. Su funcionamiento está sujeto a las dos condiciones siguientes:

1. Este dispositivo no podrá causar interferencia perjudicial y
2. Este dispositivo debe aceptar cualquier interferencia recibida, incluyendo interferencia que pueda causar un funcionamiento no deseado.

¡NOTA! Este equipo ha sido sometido a pruebas y se ha comprobado que cumple con los límites para dispositivos digitales de Clase B, conforme a la Parte 15 de las reglas de la FCC. Estos límites están diseñados para proporcionar una protección razonable contra la interferencia perjudicial en una instalación residencial. Este equipo

genera, utiliza y puede emitir energía de radiofrecuencia y, si no se instala y utiliza de acuerdo con las instrucciones, es posible que cause interferencia perjudicial para las radiocomunicaciones. Sin embargo, no hay garantía de que no vaya a ocurrir interferencia en una instalación específica. Si este equipo causa interferencia perjudicial para la recepción de radio o televisión, lo cual se puede determinar apagando y encendiendo el equipo, se insta al usuario a intentar corregir la interferencia mediante una o más de las siguientes medidas:

- Reoriente o reubique la antena receptora.
- Aumente la separación entre el equipo y el receptor.
- Conecte el equipo en un tomacorriente de un circuito distinto al circuito al cual el receptor está conectado.
- Consulte al distribuidor o a un técnico de radio/TV que tenga experiencia para obtener ayuda.

Industry Canada

Este dispositivo contiene transmisores/receptores exentos de licencia que cumplen con los RSS exentos de licencia de Innovación, Ciencia y Desarrollo Económico de Canadá. La operación está sujeta a las siguientes dos condiciones:

- (1) este dispositivo no podrá causar interferencia y
- (2) este dispositivo debe aceptar cualquier interferencia, incluyendo interferencia que pueda causar un funcionamiento no deseado del dispositivo.

Especificaciones

Numéro de modèle	GRG18V-3600C
Tensión nominal	18 V
Longitud de la carrera	1 in.
Fuerza de tracción	3,595 lbs.
Peso	4.4 to 6.6 lbs.
Temperatura permitida de la batería durante el proceso de carga	+32...+113°F (0...+45°C)
Temperatura ambiente permitida durante la utilización y el almacenamiento	-4...+122°F (-20...+50°C)
Temperatura ambiente recomendada durante el proceso de carga	+32...+95°F (0...+35°C)

Paquetes de batería/Cargadores de baterías:

Sírvase consultar la lista de baterías/cargadores incluidas con su herramienta.






NOTA: Para obtener las especificaciones de la herramienta, consulte la placa del fabricante colocada en la herramienta

Uso previsto

La herramienta eléctrica está diseñada para colocar remaches ciegos.

Símbolos

Importante: Es posible que se utilicen algunos de los siguientes símbolos en esta herramienta. Por favor, estúdielos y aprenda su significado. La interpretación correcta de estos símbolos le permitirá utilizar la herramienta mejor y de manera más segura.

Símbolo	Désignación / Explicación
V	Volt (tensión)
A	Ampere (corriente)
Hz	Hertz (frecuencia, ciclos por segundo)
W	Watt (potencia)
kg	Kilogramo (peso)
lbs	libras (peso)
min	Minuto (tiempo)
s	Segundo (tiempo)
∅	Diámetro (tamaño de las brocas taladradoras, muelas, etc)
n_0	Velocidad sin carga (velocidad rotacional sin carga)
n	Velocidad nominal (máxima velocidad obtenible)
.../min	Revoluciones o alternación por minuto (revoluciones, golpes, velocidad de superficie, órbitas, etc., por minuto)
0	Posición "off" (velocidad cero, par motor cero...)
1, 2, 3, ... I, II, III,	Graduaciones del selector (graduaciones de velocidad, par motor o posición. Un número más alto significa mayor velocidad)
	Selector infinitamente variable con apagado (la velocidad aumenta desde la graduación de 0)
	Flecha (Acción en la dirección de la flecha)
~	Corriente alterna (tipo o una característica de corriente)
==	Corriente continua (tipo o una característica de corriente)
	Corriente alterna o continua (tipo o una característica de corriente)
	Construcción de clase II (designa las herramientas de construcción con aislamiento doble)
	Terminal de toma de tierra (terminal de conexión a tierra)

Símbolos

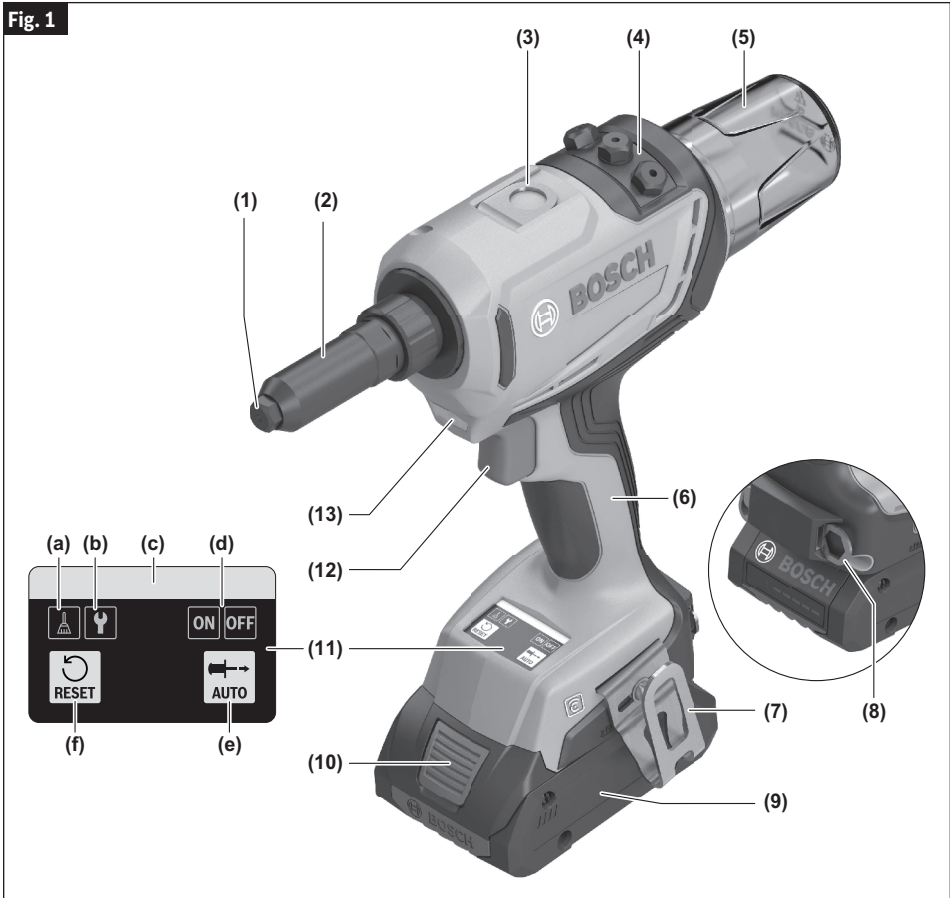
Importante: Es posible que se utilicen algunos de los siguientes símbolos en esta herramienta. Por favor, estúdielos y aprenda su significado. La interpretación correcta de estos símbolos le permitirá utilizar la herramienta mejor y de manera más segura.

Símbolo	Désignación / Explicación
	Alerta al usuario para que lea el manual.
	Alerta al usuario para que use protección de los ojos.
	Alerta al usuario para que use protección respiratoria.
	Alerta al usuario para que use protección de la audición.
	Alerta al usuario para que use protección de los ojos, respiratoria y de la audición.
	Este símbolo indica que Underwriters Laboratories ha catalogado esta herramienta indicando que cumple con las normas estadounidenses y canadienses.
	Este símbolo indica que esta herramienta está catalogada por la Canadian Standards Association.
	Este símbolo indica que la Canadian Standards Association ha catalogado esta herramienta indicando que cumple con las normas estadounidenses y canadienses.
	Este símbolo indica que Intertek Testing Services ha catalogado esta herramienta indicando que cumple con las normas estadounidenses y canadienses.
	Designa el programa de reciclaje de baterías de Li-ion.

Conociendo su producto

Remachadora inalámbrica Bosch GRG18V-3600C

Fig. 1



- | | | | |
|-----------|---|-----------|---|
| 1 | Pieza frontal | a | Indicador: Recordatorio de limpieza de las mandíbulas |
| 2 | Manguito de cubierta | b | Indicador: Recordatorio de comprobación de las mandíbulas |
| 3 | Anillo de suspensión | c | Indicador de estado de la herramienta eléctrica |
| 4 | Cargador de piezas frontales | d | Indicador de modos de trabajo |
| 5 | Recipiente para mandriles | e | Botón AUTO para seleccionar el modo de trabajo |
| 6 | Empuñadura (superficie de agarre con aislamiento) | f | Botón de REAJUSTE para reajustar el recordatorio |
| 7 | Clip de cinturón | 12 | Interruptor de encendido y apagado |
| 8 | Llave de tuerca | 13 | Luz de trabajo LED |
| 9 | Paquete de batería* | | |
| 10 | Botón de liberación de la batería* | | |
| 11 | Interfaz del usuario | | |

* Se vende por separado

Ensamblaje

⚠ ADVERTENCIA Desconecte el paquete de batería de la herramienta o ponga el interruptor en la posición de fijación en apagado antes de hacer cualquier ensamblaje o ajuste, o cambiar accesorios. Dichas medidas preventivas de seguridad reducen el riesgo de arrancar accidentalmente la herramienta.

Introducción y suelta del paquete de baterías

(Fig. 1)

Para insertar la batería:

1. Deslice el paquete de baterías cargado **9** al interior de la carcasa hasta que dicho paquete se acople en su sitio.

Para comprobar si la batería está fija en la posición correcta, jálela ligeramente en sentido opuesto. Si la batería se mueve, no utilice la herramienta y repita el procedimiento de inserción hasta que la batería esté fija en la posición correcta y no se deslice hacia atrás.

La herramienta está equipada con un pestillo de fijación secundario para impedir que dicho paquete se caiga y salga completamente del mango, en caso de que se afloje debido a la vibración.

Para quitar el paquete de baterías:

1. Oprima el botón de liberación del paquete de baterías **10** y deslice dicho paquete hacia delante.
2. Oprima de nuevo el botón de liberación del paquete de baterías **10** y deslice dicho paquete completamente hacia afuera hasta sacarlo de la carcasa de la herramienta.

Cambio de la pieza frontal

(Fig. 2)

El cargador de piezas frontales **4** contiene piezas frontales de tres tamaños diferentes, lo cual permite al usuario intercambiar rápidamente las piezas frontales.

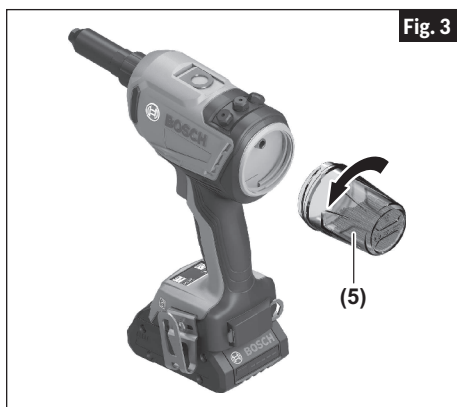
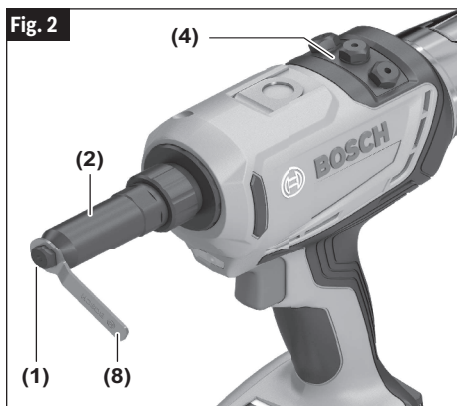
3. Utilice la llave de tuerca **8** para desenroscar la pieza frontal **1** del manguito de cubierta **2**.
4. Enrosque la pieza frontal nueva **1** y apriétela con la llave de tuerca **9**.

Vacíe el recipiente para mandriles

(Fig. 3)

Vacíe siempre el recipiente para mandriles **5** con el fin de sacar los mandriles separados de los remaches antes de que esté completamente lleno, para prevenir bloqueos.

1. Desenrosque el recipiente para mandriles **5** girándolo en sentido contrario al de las agujas del reloj.
2. Vacíe el recipiente para mandriles **5** en un recipiente de reciclaje o para residuos adecuado.



3. Enrosque el recipiente para mandriles **5** de vuelta en la herramienta eléctrica girándolo en el sentido de las agujas del reloj.

Instrucciones de funcionamiento

⚠ ADVERTENCIA Desconecte el paquete de batería de la herramienta o ponga el interruptor en la posición de fijación en apagado antes de hacer cualquier ensamblaje o ajuste, o cambiar accesorios. Dichas medidas preventivas de seguridad reducen el riesgo de arrancar accidentalmente la herramienta.

Combinaciones adecuadas de remaches ciegos/piezas frontales

Es posible que el uso de una combinación no indicada en la tabla que aparece a continuación cause una colocación deficiente de los remaches o un funcionamiento incorrecto de la herramienta eléctrica.

Remache ciego	Pieza frontal	
Tamaño	Etiquetado	Diámetro del agujero
Dia. 1/8" (3.0 mm) Dia. 1/8" (3.2 mm)	1/8" (3.0/3.2)	Dia. 0.09" (2.3-2.4 mm)
Dia. 5/32" (4.0 mm)	5/32" (4.0)	Dia. 0.11" (2.7-2.8 mm)
Dia. 3/16" (4.8 mm) Dia. 3/16" (5.0 mm)	3/16" (4.8/5.0)	Dia. 0.13" (3.3-3.4 mm)
Dia. 1/4" (6.0 mm) Dia. 1/4" (6.4 mm)	1/4" (6.4)	Dia. 0.18" (4.6-4.7 mm)

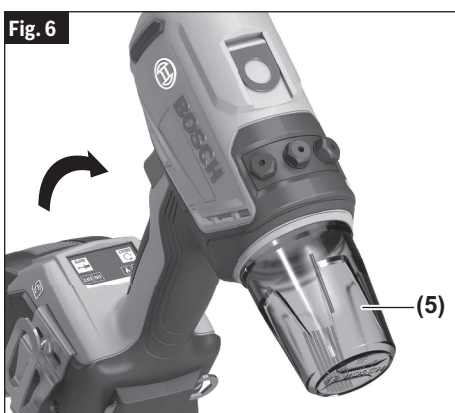
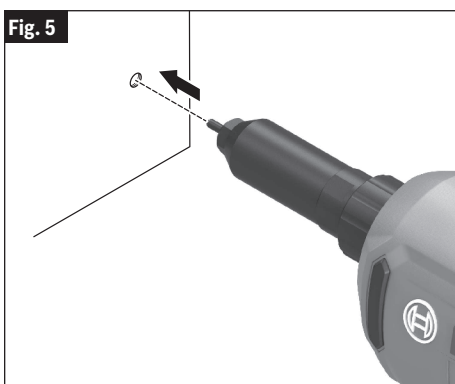
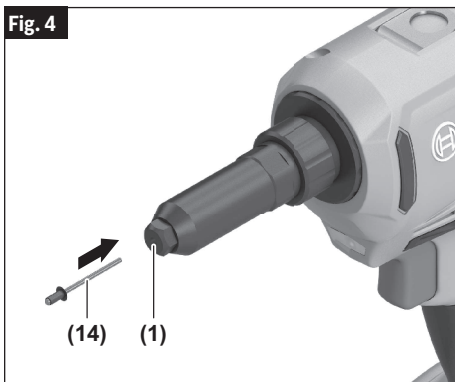
Instrucciones de funcionamiento

Colocación de un remache ciego

(Fig. 2, 4, 5, 6)

1. Prepare las piezas de trabajo que se vayan a conectar. Si aún no hay agujeros disponibles, pretaladre las piezas de trabajo.
2. Seleccione una pieza frontal **1** adecuada. Enrosque la pieza frontal en el manguito de cubierta **2** y apriétela con la llave de tuerca **8** (Fig. 2).
3. Utilice el botón AUTO **11e** para seleccionar el modo de trabajo requerido (consulte "Selección del modo de trabajo", página 49).
4. Inserte el mandril del remache ciego **14** en la pieza frontal **1** (Fig. 4).
5. Agarre firmemente la herramienta eléctrica y empuje el remache ciego hacia el interior del agujero piloto (Fig. 5).
6. Dependiendo del modo de trabajo, presione el interruptor de encendido y apagado **12** y espere hasta que el mandril del remache se haya separado.
7. Incline hacia atrás la herramienta eléctrica, de manera que el mandril del remache pueda caer al interior del recipiente para mandriles **5** (Fig. 6).

Nota: Después de colocar el remache ciego, asegúrese de que el mandril separado del remache haya caído al interior del recipiente para mandriles antes de colocar el siguiente remache ciego.



Instrucciones de funcionamiento

Interfaz del usuario

(Fig. 7)

La interfaz del usuario **11** se utiliza para seleccionar el modo de trabajo e indicar el estado de la herramienta eléctrica.

Indicador: Recordatorio de limpieza/comprobación de las mandíbulas



Si el recordatorio **11a** u **11b** se ilumina, usted debe comprobar las mandíbulas **17**. Si es necesario, limpie las mandíbulas (consulte “Limpieza o reemplazo de las mandíbulas”, página 52).

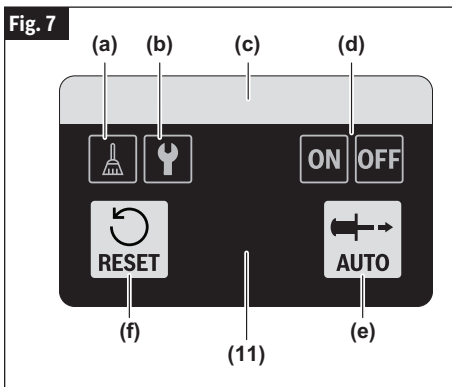
Reajuste el recordatorio solo una vez que haya comprobado las mandíbulas. Para hacerlo, presione y mantenga presionado el botón de REAJUSTE **11f** durante 2 segundos.

Indicador de estado

Indicador de estado 11c	Significado
—	La herramienta eléctrica está apagada
Verde	La herramienta eléctrica está encendida y lista para utilizarse
Amarillo	Mensaje de advertencia
Rojo	Mensaje de error
Azul (parpadeante)	Transferencia de datos

Alerts

Problema	Visualización (vea la Fig. 7)	Color de la visualización	Causa	Medida correctiva
Warning Message		Amarillo	Mandíbulas 17 sucias	Limpie las mandíbulas 17
		Amarillo	Mandíbulas 17 desgastadas	Compruebe y, si es necesario, reemplace las mandíbulas 17



Selección del modo de trabajo

El botón AUTO **11e** se puede utilizar para escoger entre dos modos de trabajo.

— Modo de trabajo AUTO ENCENDIDO:

Para colocar un remache ciego, presione brevemente el interruptor de encendido y apagado **12** y luego suéltelo de nuevo. El proceso de remachado se completa automáticamente.










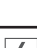
Ventaja: Remachado conveniente

— Modo de trabajo AUTO APAGADO:

Para colocar un remache ciego, presione y mantenga presionado el interruptor de encendido y apagado **12** hasta que el remache ciego esté completamente colocado y el mandril se haya separado de dicho remache. Luego, suelte el interruptor de encendido y apagado **12** para completar el proceso de remachado.

Ventaja: Remachado rápido (dependiendo de la combinación de remache ciego/pieza frontal que se utilice)

Instrucciones de funcionamiento

Problema	Visualización de la app Toolbox	Color de la visualización	Causa	Medida correctiva
Warning Message		Amarillo	Mandíbulas 17 sucias	Clean the Jaws 17
		Amarillo	Mandíbulas 17 desgastadas	Compruebe y, si es necesario, reemplace las mandíbulas 17
		Amarillo	Estado de carga de la batería recargable 9 débil	Reemplace o cargue la batería recargable 9
		Amarillo	Batería recargable 9 casi sobrecalentada	Reemplace la batería recargable 9 O Apague la herramienta eléctrica y deje que se enfríe durante 3-5 minutos hasta que el indicador de estado 11c se ilumine en verde
		Amarillo	Sistema electrónico casi sobrecalentado	Apague la herramienta eléctrica y deje que se enfríe hasta que el indicador de estado 16 se ilumine en verde
		Amarillo	Las mandíbulas 17 no están en posición de trabajo/neutral	Presione el interruptor de encendido y apagado 12 para que las mandíbulas 17 regresen a la posición de trabajo/neutral
Message d'erreur		Rojo	Estado de carga de la batería recargable 9 crítico	Reemplace o cargue inmediatamente la batería recargable 9
		Rojo	Batería recargable 9 sobrecalentada	Reemplace inmediatamente la batería recargable 9 O Apague inmediatamente la herramienta eléctrica y deje que se enfríe durante 3-5 minutos hasta que el indicador de estado 11c se ilumine en verde
		Rojo	Sistema electrónico sobrecalentado	Apague inmediatamente la herramienta eléctrica y deje que se enfríe hasta que el indicador de estado 11c se ilumine en verde
		Rojo	Mandíbulas 17 atoradas	Limpie las mandíbulas 17 y, si es necesario, reemplácelas

Consejos de trabajo

La herramienta eléctrica con módulo de baja energía Bluetooth® incorporado está equipada con una interfaz de radio. Se debe cumplir con las restricciones operativas locales, p. ej., en aeronaves u hospitales.

En áreas en las que no se deba utilizar la tecnología inalámbrica Bluetooth®, el módulo de baja energía Bluetooth® se debe apagar a través de la app.

Instrucciones de funcionamiento

Luz de trabajo LED

La luz de trabajo LED **13** mejora la visibilidad en el área de trabajo inmediata. Se enciende automáticamente cuando se presiona el interruptor de encendido y apagado **12**.

Dispositivo de suspensión

Usted puede utilizar el anillo de suspensión **3** para acoplar la herramienta eléctrica a un dispositivo de suspensión (p. ej., en una línea de producción).

Para hacer eso, despliegue el anillo de suspensión **3** hacia arriba.

Compruebe regularmente el estado del anillo de suspensión y el enganche del dispositivo de suspensión.

Clip de cinturón

Usted puede utilizar el clip de cinturón **7** para sujetar convenientemente la herramienta eléctrica a su cinturón.

Conectividad

Funciones de conectividad

Requisitos del sistema para utilizar la app


Requisitos del sistema	
Dispositivo móvil (tableta, teléfono inteligente)	Android 6 (y más nuevo)
	iOS 11 (y más nuevo)

Instalación y configuración de la app

Usted tendrá que instalar la app específica para el dispositivo antes de que pueda utilizar las funciones de conectividad.

- Descargue la app de la tienda de apps correspondiente (Apple App Store, Google Play Store).

Nota: Usted necesitará tener una cuenta de usuario con la tienda de apps relevante para hacer esto.

App name	iOS	Android
Bosch Toolbox		

- Luego, seleccione el subelemento MyTools (Mis herramientas) o Connectivity (Conectividad) en la app.
- La pantalla de su dispositivo móvil le mostrará todos los pasos subsiguientes requeridos para conectar la herramienta eléctrica al dispositivo móvil.

Transferencia de datos a través de Bluetooth®

El módulo de baja energía Bluetooth® incorporado envía una señal a intervalos regulares. Dependiendo de las condiciones ambientales, es posible que se requieran múltiples intervalos de transmisión antes de que la herramienta eléctrica sea detectada. Si la herramienta eléctrica no es detectada, compruebe lo siguiente:

- ¿Es la distancia al dispositivo móvil demasiado grande? Reduzca la distancia entre el dispositivo móvil y la herramienta eléctrica.
- ¿Está la batería tipo moneda para el módulo de baja energía Bluetooth® incorporado débil o agotada? Contacte a un centro de servicio posventa autorizado para herramientas eléctricas Bosch con el fin de reemplazar la batería tipo moneda.
- Apague el Bluetooth® y enciéndalo de nuevo en su dispositivo móvil. Compruebe si la herramienta eléctrica ha sido detectada ahora.

Funciones en combinación con la herramienta eléctrica

En combinación con el módulo de baja energía Bluetooth®, las siguientes funciones de conectividad están disponibles para la herramienta eléctrica:

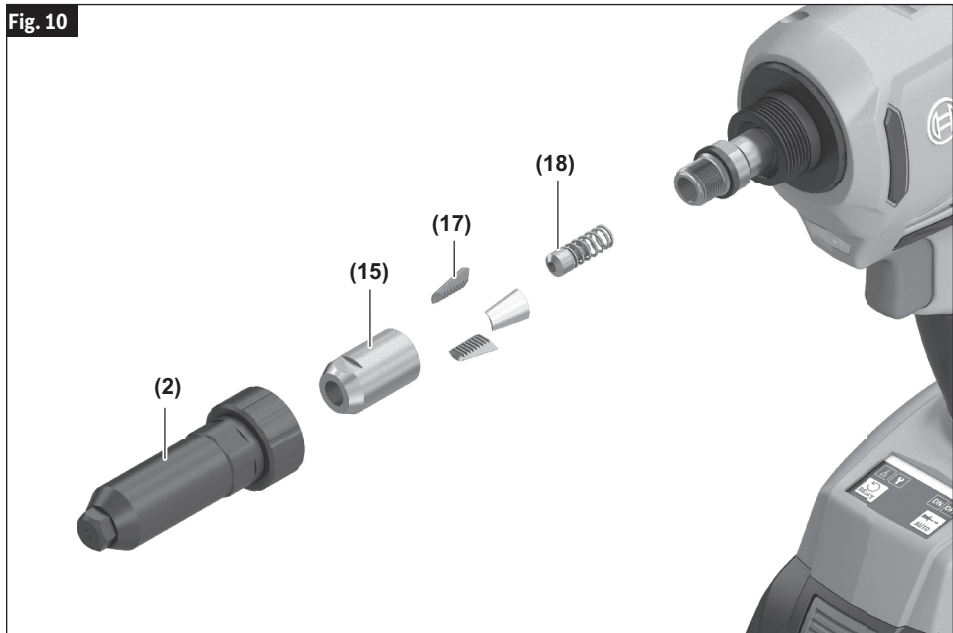
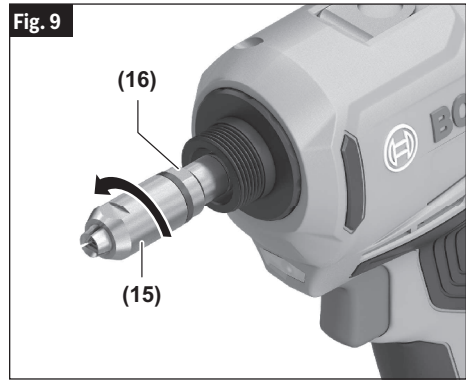
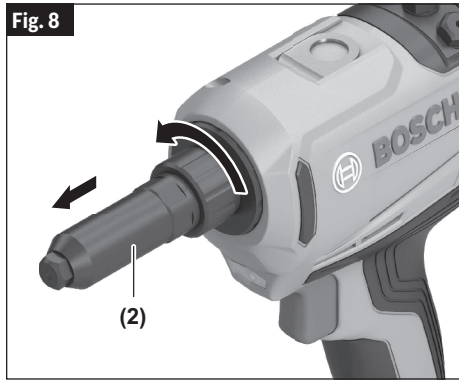
- Registro y personalización
- Comprobación de estado, salida de mensajes de advertencia y error
- Información general y configuración (p. ej., intervalo de recordatorios para comprobar las mandíbulas)
- Gestión

Mantenimiento

Limpeza o reemplazo de las mandíbulas

(Fig. 8, 9, 10)

1. Retire el manguito de cubierta **2** de la herramienta eléctrica girándolo en sentido contrario al de las agujas del reloj.
2. Utilice la llave de tuerca **8** para proporcionar resistencia en la junta **16** y afloje el manguito de las mandíbulas **15**.
3. Retire el manguito de las mandíbulas **15**. Esto permite el acceso a las mandíbulas **17** y al resorte de presión **18**.
4. Limpie las mandíbulas **17** y el resorte de presión **18** para eliminar el polvo y las astillas metálicas.
5. Si es necesario, reemplace las mandíbulas.
6. Reensamble todos los componentes en orden inverso.



Mantenimiento

⚠ ADVERTENCIA Para evitar accidentes, desconecte siempre la herramienta y/o el cargador de la fuente de energía antes de la limpieza.

Servicio

NO HAY PIEZAS EN EL INTERIOR QUE PUEDAN SER AJUSTADAS O REPARADAS POR EL USUARIO. El mantenimiento preventivo realizado por personal no autorizado puede dar lugar a la colocación incorrecta de cables y componentes internos que podría constituir un peligro serio. Recomendamos que todo el servicio de las herramientas sea realizado en un Centro de servicio de fábrica Bosch o en una Estación de servicio Bosch autorizada.

Baterías

Esté alerta a los paquetes de baterías que estén aproximándose al final de su vida útil. Si observa una disminución del rendimiento de la herramienta o un tiempo de funcionamiento significativamente más corto entre cargas, entonces ha llegado el momento de cambiar el paquete de baterías. Si no se hace esto, el resultado puede ser que la herramienta funcione incorrectamente o que el cargador se dañe.

Reemplazo de la batería tipo moneda incorporada

El módulo de baja energía Bluetooth® está equipado con una batería tipo moneda. Usted será notificado a través de la app Bosch Toolbox si la batería tipo moneda está demasiado débil o si está agotada. El reemplazo de la batería tipo moneda debe ser realizado por Bosch o por un centro de servicio posventa autorizado para trabajar con herramientas eléctricas Bosch.

Precaución: La batería tipo moneda debe ser reemplazada siempre por una batería tipo moneda del mismo tipo. Existe un riesgo de explosión.

Retire y deseche correctamente la batería tipo moneda agotada. Es posible que una batería tipo moneda que esté

agotada tenga fugas y dañe el producto o cause lesiones corporales.

Lubricación de las herramientas

Su herramienta Bosch ha sido lubricada adecuadamente y está lista para la utilización.

Motores

El motor de la herramienta ha sido diseñado para muchas horas de servicio fiable. Para mantener un rendimiento óptimo del motor, recomendamos que éste sea examinado cada seis meses. Sólo se debe usar un motor de repuesto Bosch genuino diseñado especialmente para la herramienta.

Limpieza

⚠ PRECAUCIÓN Ciertos agentes de limpieza y disolventes dañan las piezas de plástico. Algunos de estos son: gasolina, tetracloruro de carbono, disolventes de limpieza clorados, amoníaco y detergentes domésticos que contienen amoníaco.

Las aberturas de ventilación y las palancas de interruptor deben mantenerse limpias y libres de materias extrañas. No intente limpiar introduciendo objetos puntiagudos a través de las aberturas.

Almacenamiento y mantenimiento de los accesorios

Almacene los accesorios en un lugar fresco y seco y evite que se congelen. Antes de usarlos, compruebe si hay grietas y fracturas y no los use si se sospecha que están dañados.

Accesorios

⚠ AVERTISSEMENT N'utilisez pas d'accessoires autres que ceux qui sont spécifiés par Bosch. L'utilisation d'accessoires non spécifiés pour une utilisation avec l'outil décrit dans ce mode d'emploi peut entraîner des dommages à l'outil, des dommages matériels ou des blessures.

Équipement standard	Accessoires et attachements en option
<ul style="list-style-type: none">– Embouts avant (plusieurs tailles)– Conteneur de mandrins– Clé de 16 mm– Agrafe de ceinture, standard	<ul style="list-style-type: none">– Agrafe de ceinture, grande

Notes / Remarques / Notas

This page was intentionally left blank
Cette page a été laissée vierge intentionnellement.
Esta página se dejó intencionalmente en blanco.

Notes / Remarques / Notas

This page was intentionally left blank
Cette page a été laissée vierge intentionnellement.
Esta página se dejó intencionalmente en blanco.

LIMITED WARRANTY

For details on the terms of the limited warranty for this product, go to <https://rb-pt.io/PowerToolWarranty> or call 1-877-BOSCH99.

GARANTIE LIMITÉE

Pour tous détails sur les conditions de la garantie limitée pour ce produit, allez sur le site <https://rb-pt.io/PowerToolWarranty> ou téléphonez au 1-877-BOSCH99.

GARANTÍA LIMITADA

Para obtener detalles sobre los términos de la garantía limitada de este producto, visite <https://rb-pt.io/PowerToolWarranty> o llame al 1-877-BOSCH99.



BOSCH

© Robert Bosch Tool Corporation
1800 W. Central Road
Mt. Prospect, IL 60056-2230
160992A8AK 06/2023



1 6 0 9 9 2 A 8 A K