

**IMPORTANT**  
Read Before Using

**IMPORTANT**  
Lire avant usage

**IMPORTANTE**  
Leer antes de usar



**Operating/Safety Instructions**  
**Consignes d'utilisation/de sécurité**  
**Instrucciones de funcionamiento y seguridad**

**GIC5-27C**



**BOSCH**

Call Toll Free for Consumer Information & Service Locations

Pour obtenir des informations et les adresses de nos centres de service après-vente, appelez ce numéro gratuit

Llame gratis para obtener información para el consumidor y ubicaciones de servicio

**1-877-BOSCH99 (1-877-267-2499) [www.boschtools.com](http://www.boschtools.com)**





**For English Version**  
See page 2

**Version française**  
Voir page 18

**Versión en español**  
Ver la página 34

## Safety Symbols

The definitions below describe the level of severity for each signal word.  
Please read the manual and pay attention to these symbols.

	This is the safety alert symbol. It is used to alert you to potential personal injury hazards. Obey all safety messages that follow this symbol to avoid possible injury or death.
	DANGER indicates a hazardous situation which, if not avoided, will result in death or serious injury.
	WARNING indicates a hazardous situation which, if not avoided, could result in death or serious injury.
	CAUTION indicates a hazardous situation which, if not avoided, could result in minor or moderate injury.

## Table of Contents

General Safety Rules . . . . . 3	Maintenance and Service . . . . . 16
Safety Rules for Inspection Camera . . . . . 4	Maintenance and Cleaning . . . . . 16
FCC Caution . . . . . 5	Environment Protection . . . . . 16
Industry Canada (IC) . . . . . 6	Troubleshooting . . . . . 16
Intended Use . . . . . 6	Errors – Causes and Corrective
Symbols . . . . . 7	Measures . . . . . 16
Getting to Know Your GIC5-27C	Accessories . . . . . 17
Inspection Camera . . . . . 8	
Specifications . . . . . 9	
Assembly . . . . . 10	
Power Supply . . . . . 10	
Fitting the Camera Cable . . . . . 11	
Removing the Camera Cable . . . . . 11	
Fitting the Mirror, Magnet or	
Hook . . . . . 11	
Operation . . . . . 12	
Product Description . . . . . 12	
Using the Product . . . . . 12	
Starting Operation . . . . . 13	
Main Menu . . . . . 13	
Saving/Transferring the	
Recordings . . . . . 14	
Working Advice . . . . . 15	

# General Safety Rules

**⚠ WARNING** Read all safety warnings, instructions, illustrations and specifications provided with this tool. Failure to follow all instructions listed below may result in electric shock, fire and/or serious injury.

## SAVE ALL WARNINGS AND INSTRUCTIONS FOR FUTURE REFERENCE

The term “tool” in the warnings refers to your mains-operated (corded) tool or battery-operated (cordless) tool.

---

### 1. Work area safety

---

- a. **Keep work area clean and well lit.** Cluttered or dark areas invite accidents.
- b. **Do not operate the tool in explosive environments, such as in the presence of flammable liquids, gases or dusts.** Sparks can be created in the tool which may ignite the dust or fumes.
- c. **Keep children and bystanders away while operating a power tool.** Distractions can cause you to lose control.

---

### 2. Electrical safety

---

**⚠ WARNING** Batteries can explode or leak, cause injury or fire.

To reduce this risk, always follow all instructions and warnings on the battery label and package.

- a. **DO NOT expose the tool and battery to rain or wet conditions.** Water entering tool will increase the risk of fire and personal injury.
- b. **DO NOT short any battery terminals.**
- c. **DO NOT mix battery chemistries.**
- d. **Dispose of or recycle batteries per local code.**
- e. **DO NOT dispose of batteries in fire.**
- f. **Keep batteries out of reach of children.**
- g. **Remove batteries if the device will not be used for several months.**
- h. **Remove the batteries from the tool when not using it for extended periods.** When storing for extended periods, the batteries can corrode and self-discharge.
- i. **The tool is equipped with a radio interface.** Local operating restrictions, e.g. in airplanes or hospitals, are to be observed.

- j. **Prevent unintentional starting.** Ensure the switch is in the off-position before inserting batteries. Accidental energizing tool that have the switch on invites accidents.

---

### 3. Personal safety

---

- a. **Do not make any modifications to the tool and battery.**
- b. **Stay alert, watch what you are doing and use common sense when operating a tool. Do not use a tool while you are tired or under the influence of drugs, alcohol or medication.** A moment of inattention while operating a tool may result in serious personal injury or incorrect measurement results.
- c. **Use safety equipment. Always wear eye protection.** Safety equipment such as dust mask, non-skid safety shoes, hard hat, or hearing protection used for appropriate conditions will reduce personal injuries.
- d. **Use caution when using tools in the vicinity of electrical hazard**

---

### 4. Use and care

---

- a. **Use the correct tool for your application.** The correct tool will do the job better and safer.
- b. **Do not use the tool if the switch does not turn it on and off.** Any tool that cannot be controlled with the switch is dangerous and must be repaired.
- c. **Store idle tool out of the reach of children and do not allow persons unfamiliar with the tool or these instructions to operate the tool.** Tools are dangerous in the hands of untrained users.
- d. **Maintain tools.** Check for misalignment or binding of moving parts, breakage of parts and any other condition that may

SAVE THESE INSTRUCTIONS

## General Safety Rules

affect the operation. If damaged, repair tool before use. Many accidents are caused by poorly maintained tools.

- e. **Use the tool, accessories, etc., in accordance with these instructions and in the manner intended for the particular type of tool, taking into account the working conditions and the work to be performed.** Use of the tool for operations different from those intended could result in a hazardous situation.

---

### 5. Battery tool use and care

- a. **Recharge only with the charger specified by the manufacturer.** A charger that is suitable for one type of battery pack may create a risk of fire when used with another battery pack.
- b. **Use tool only with specifically designated battery packs.** Use of any other battery packs may create a risk of injury and fire.
- c. **When battery pack is not in use, keep it away from other metal objects like paper clips, coins, keys, nails, screws, or other small metal objects that can make a connection from one terminal to another.** Shorting the battery terminals together may cause burns or a fire.
- d. **Under abusive conditions, liquid may be ejected from the battery; avoid contact. If contact accidentally occurs, flush with water.** If liquid contacts eyes, additionally seek medical help. Liquid ejected from the battery may cause irritation or burns.
- e. **Do not use a battery pack or tool that is damaged or modified.** Damaged or modified batteries may exhibit unpredictable behaviour resulting in fire, EXPLOSION or risk of injury.

- f. **Do not expose a battery pack or tool to fire or excessive temperature.** Exposure to fire or temperature above 265 °F (130 °C) may cause explosion.
- g. **Follow all charging instructions and do not charge the battery pack or tool outside the temperature range specified in the instructions.** Charging improperly or at temperatures outside the specified range may damage the BATTERY and increase the risk of fire.
- h. **Disconnect the battery pack from the tool before making any adjustments, changing accessories, or storing the tool.** Such preventive safety measures reduce the risk of starting the tool accidentally.
- i. **Do not modify or attempt to repair the tool or the battery pack except as indicated in the instructions for use and care.**

---

### 6. Service

- a. **Have your tool serviced by a qualified repair person using only identical replacement parts.** This will ensure that the safety of the tool is maintained.
- b. **Develop a periodic maintenance schedule for tool. When cleaning a tool be careful not to disassemble any portion of the tool since internal wires may be misplaced or pinched or may be improperly mounted.** Certain cleaning agents such as gasoline, carbon tetrachloride, ammonia, etc. may damage plastic parts.

## Safety Rules for Inspection Camera



**WARNING** **Chemical Burn Hazard.** Keep batteries away from children.

**This product contains a lithium button/coin cell battery.** If a new or used lithium but-

ton/coin cell battery is swallowed or enters the body, it can cause severe internal burns and can lead to death in as little as 2 hours. Always completely secure the battery compartment. If the battery compartment does not close securely, stop using the product,

**SAVE THESE INSTRUCTIONS**

## Safety Rules for Inspection Camera

remove the batteries, and keep it away from children. If you think batteries might have been swallowed or placed inside any part of the body, seek immediate medical attention.

**All coin cell batteries, even used coin cells, may cause injury.** They should be disposed of properly, including keeping them away from children.

**Always check the work area before beginning a job. Do not allow cable to contact electrical, chemical, or moving hazards. Shut off circuit breakers to the entire area when probing behind walls.** These preventative measures will reduce the risk of explosion, electric shock and property damage.

**Do not use this device for personal inspection or medical use in any way. This is not a medical device.** Serious personal injury could result.

**Do not place the inspection camera anywhere that may contain moving parts.** This reduces the risk of entanglement injuries.

**Always use appropriate personal protective equipment while handling and using the inspection camera. Appropriate personal protective equipment always includes safety glasses and gloves and may include equipment such as latex or rubber gloves, face shields, goggles, protective clothing, respirators and steel toed footwear.** Drains and other areas may contain chemicals, bacteria and other substances that may be toxic, infectious, cause burns or other issues.

**Practice good hygiene. Use hot, soapy water to wash hands and other body parts exposed to drain contents after handling or using the inspection camera to inspect drains and other areas that may contain chemicals or bacteria. Do not eat or smoke while operating or handling the inspection camera.** This will help prevent contamination with toxic or infectious material.

**Do not operate the inspection camera if operator or device is standing in water.** Operating an electrical device while in water increases the risk of electrical shock.

**Do not use the cable to clear clogs or move obstructions.** This is not a drain cleaner.

**Do not immerse the handle or the display unit in water. The camera head and the cable are water resistant when the unit is fully assembled, but the video display is not.** Such measures reduce the risk of electric shock and damage.



**Keep the magnetic accessories away from implants and other medical devices, e.g. pacemakers or insulin pumps.** The magnets in the accessories generate a field that can impair the function of implants and medical devices.

**Keep the magnetic accessories away from magnetic data storage media and magnetically-sensitive devices.** The effect of the magnets in the accessories can lead to irreversible data loss.

## FCC Caution

**FC** The manufacturer is not responsible for radio interference caused by unauthorized modifications to this equipment. Such modifications could void the user's authority to operate the equipment.

This device complies with Part 15 of the FCC Rules. Operation is subject to the following two conditions:

1. This device may not cause harmful interference, and

2. This device must accept any interference received, including interference that may cause undesired operation.

**NOTE!** This equipment has been tested and found to comply with the limits for a Class B digital devices, pursuant to Part 15 of the FCC rules. These limits are designed to provide reasonable protection against harmful interference in a residential installation. This equipment generates uses and can radiate radio frequency energy and, if not installed and used in accordance with the instructions, may cause harmful interference to radio communications. To comply with FCC's

**SAVE THESE INSTRUCTIONS**

## FCC Caution

RF radiation exposure limits for general population/uncontrolled exposure, this device must not collect or operate in conjunction with any other antenna or transmitter. However, there is no guarantee that interference will not occur in a particular installation. If this equipment does cause harmful interference to radio or television reception, which can be determined by turning the equipment off and on, the user is encouraged to try to correct the interference by one or more of the following measures:

- Reorient or relocate the receiving antenna.
- Increase the separation between the equipment and receiver.
- Connect the equipment into an outlet on a circuit different from that to which the receiver is connected.
- Consult the dealer or an experienced radio/TV technician for help.

Exposure to Radio Frequency (RF) Signals: The wireless device is a radio transmitter and receiver. It is designed and manufactured not to exceed the emission limit for exposure to radio frequency (RF) energy set by the Ministry of Health (Canada), Safety Code 6. These limits are part of comprehensive guidelines and established permitted levels of RF energy for the general population.

To comply with FCC's RF radiation exposure limits for general population/uncontrolled exposure, this device must not be collocated or operating in conjunction with any other antenna or transmitter.

## Industry Canada (IC)

This device complies with Industry Canada's licence-exempt RSSs. Operation is subject to the following two conditions:

1. This device may not cause interference;  
and

2. This device must accept any interference, including interference that may cause undesired operation of the device.








## Intended Use

The digital inspection camera is suitable for inspecting areas that are dark or difficult to access. It is also suitable for moving and removing small and light objects (e.g. small screws) after fitting the supplied accessories on the camera head.

Digital inspection camera must not be used for medical purposes. It is likewise not intended for removing pipe blockages or installing cables.

## Symbols

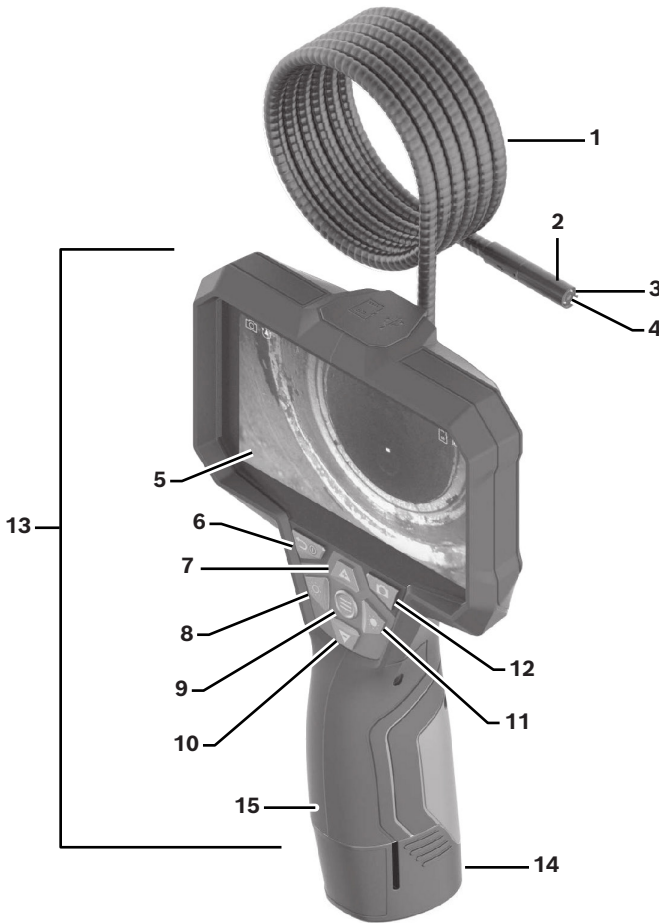
**Important:** Some of the following symbols may be used on your tool. Please study them and learn their meaning. Proper interpretation of these symbols will allow you to operate the tool better and safer.

Symbol	Designation/Explanation
V	Volts (voltage)
A	Amperes (current)
Hz	Hertz (frequency, cycles per second)
W	Watt (power)
lb	Pounds (weight)
kg	Kilograms (weight)
min	Minutes (time)
s	Seconds (time)
	Class II construction (Designates Double Insulated Construction tools.)
	Earthing terminal (grounding terminal)
	Designates Li-ion battery recycling program.
	Alerts user to read manual.
	Alerts user to wear eye protection.
	This symbol indicates magnetic field in place.
	This symbol designates that the tool complies with FCC Rules.

# Getting to Know Your GIC5-27C Inspection Camera

**⚠ WARNING** Remove detachable battery pack before making any assembly, adjustments or changing accessories. Such preventive safety measures reduce the risk of starting the tool accidentally.

Fig. 1



- |                      |                                 |
|----------------------|---------------------------------|
| 1 Camera Cable       | 9 Center Button                 |
| 2 Camera Head        | 10 Down Button                  |
| 3 Illumination Light | 11 Right-Hand Button            |
| 4 Camera Lens        | 12 Photo/Video Recording Button |
| 5 Display            | 13 Handheld Device              |
| 6 ON/OFF Button      | 14 Rechargeable Battery *       |
| 7 Up Button          | 15 Battery Compartment          |
| 8 Left-Hand Button   |                                 |

\* Not included with the product as standard. You can find the complete selection of accessories in our accessories range.



# Specifications

Model Number	GIC5-27C
Article number	3 601 B41 4..
Display size	5 inches (127 mm)
Display resolution	1280px × 720px
Camera resolution, photo and video files	1280px × 720px
Screenshot format	JPG
Video format	AVI
Video frame rate	– Video Frame rate without Up Indication: 20 fps – With Up Indication: 7 fps
Max. number of photos in internal memory	30
Field of view	75°
Focus distance	1.18-3.15 in. (30-80 mm)
Max. luminous intensity of the illumination light in the camera head (at 50 mm distance in a dark environment)	200 lx
Max. immersion time for camera head/cable in diesel, engine oil, ethyl alcohol, petrol or salt water (26.5 % salt content)	30 minutes
Battery / Charger list	– Rechargeable Batteries (Bosch 10.8 V/12 V Max lithium-ion pack): BAT414 (2.0Ah), BAT420 (4.0Ah), GBA12V30 (3.0Ah), GBA12V60 (6.0Ah)  – Chargers: BC330, BC430, GAX1218V-30, GAL12V-20
Backup power supply for saving the time:	– Coin cell: CR2450 (3V, lithium battery) – Battery life: approx. 3 years
Operating time, approx., with rechargeable battery (Li-ion) <sup>[1, 2]</sup> :	6h
Weight according to EPTA-Procedure 01:2014 with rechargeable battery (Li-ion) <sup>[3]</sup> :	1.61-2.07 lbs. (0.73-0.94 kg)
Dimensions (length × width × height) <sup>[1]</sup>	9.52 in. x 5.51 in. x 2.60 in. (242 mm × 140 mm × 66 mm)
Protection rating of handheld device (excluding battery compartment)	IP54
Protection rating of camera head and camera cable	IP67
Recommended ambient temperature during charging	32°F to +95°F (0°C to +35°C)
Permitted ambient temperature during operation	14°F to 122°F (-10°C to +50°C)
Permitted ambient temperature during storage	-4°F to 158°F (-20°C to +70°C)

**Notes:**

1. With BAT414 (2.0Ah) battery pack.
2. With camera display, average display brightness, illumination light with 50% brightness.

3. Depends on battery in use.

# Assembly

## Power Supply

The tool can be operated using a Bosch Li-ion rechargeable battery.

### Operation with Battery Pack

**⚠ WARNING** Use only Bosch rechargeable lithium-ion battery packs listed in the specifications section of this manual. Use of other battery packs may increase the risk of fire, personal injury and property damage.

**⚠ WARNING** Remove the batteries from the tool when not using it for extended periods. When storing for extended periods, the batteries can corrode and self-discharge.

**Note:** The battery pack is supplied partially charged. To ensure full capacity of the battery pack, completely charge the battery pack in the battery charger before using for the first time.

**⚠ WARNING** Use only Bosch chargers listed in the specifications section of this manual. Use of other chargers may increase the risk of fire, personal injury and property damage.

The lithium-ion battery pack can be charged at any time without reducing its service life. Interrupting the charging procedure does not damage the battery pack.

The lithium-ion battery is protected against deep discharge by the Electronic Cell Protection (ECP). A protective circuit switches the laser level off when the battery is drained.

- Following the automatic shut off of the tool, do not continue to press the On/Off button. The battery can be damaged.

### Inserting a Battery Pack

(Fig. 2)

**⚠ WARNING** If battery release tabs are cracked or otherwise damaged, do not insert into tool. Battery can fall out during operation.

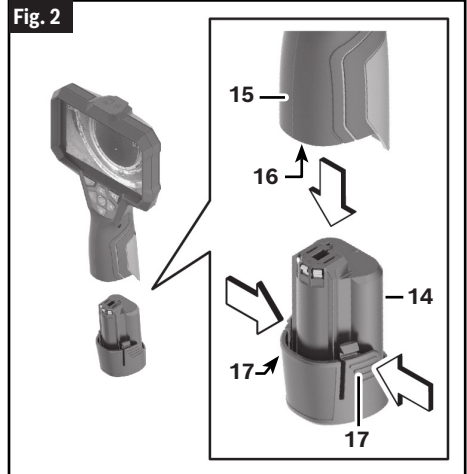
To insert the charged Battery **14**, slide it into the Battery Port **16** until you feel it lock into position. Do not use force.

### Removing a Battery Pack

(Fig. 2)

To remove the Rechargeable Battery **14**, press the Battery Release Tabs **17** and pull the Battery **14** out of the Battery Compartment **15**. Do not use force.

Fig. 2

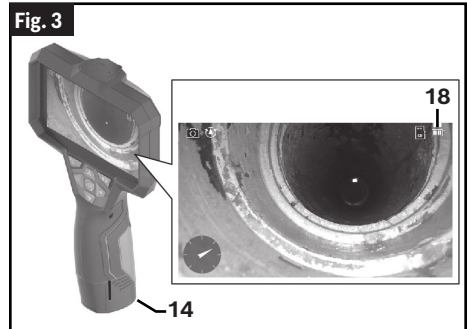


### Battery Charge Indicator






(Fig. 3)

The Battery Charge Indicator **18** on the Display **5** shows the charging state of the Battery **14**.

Fig. 3



## Assembly

Indicator	Charge
	100%
	75%
	50%
	25%
	Blinking 3 times: there is 15 minutes or less left.

### Recommendations for Optimal Handling of the Battery

Protect the Battery against moisture and water.

Only store the Battery within a temperature range of -4°F to 158°F (-20°C to +70°C). Do not leave the Battery in your car in the summer, for example.

A significantly reduced operating time after charging indicates that the Battery has deteriorated and must be replaced.

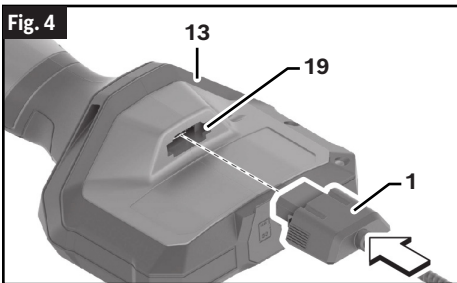
Follow the instructions on correct disposal.

### Fitting the Camera Cable

(Fig. 4)

For operation of the inspection camera, the Camera Cable **1** must be fitted on the Handheld Device **13**.

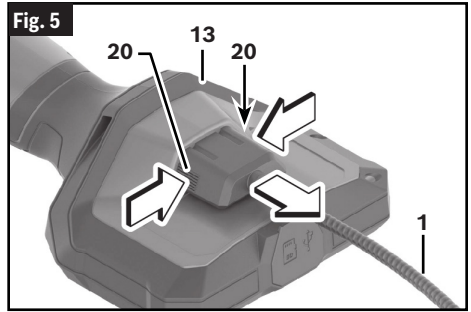
Push the connector of the Camera Cable **1** onto the Camera Connection **19** in the correct position until it clicks into place.



### Removing the Camera Cable

(Fig. 5)

To remove the Camera Cable **1**, press the Cable's Locking Mechanism **20** and pull the connector out of the Handheld Device **13**.



### Fitting the Mirror, Magnet or Hook

(Fig. 6)

The Mirror **21**, the Hook **22**, or the Magnet **23** can be fitted on the Camera Head **2** as accessories.

Push one of the three accessories all the way onto the Camera Head **2**.

**Note:** The Magnet **23** and the Hook **22** are only suitable for moving and removing loose, small and light objects. The inspection camera or the accessory can be damaged with too strong a pull.

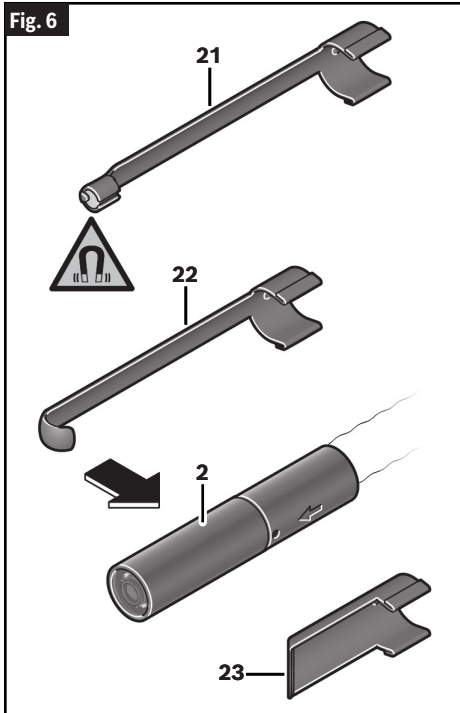
# Operation

## Product Description

### (Fig. 1, Fig. 6)

The Product is a hand-held optical inspection device designed to provide the user with the ability to view objects in otherwise inaccessible places. The image is displayed in full color on the viewing screen (the Display 5).

This device is equipped with an imaging and lighting source that features LED light adjustment allowing the user to optimize the lighting conditions for the viewing situation. These features ensure a detailed and accurate visual inspection. The Mirror 21, Hook 22, and Magnet 23 accessories can be attached to the Camera Head 2 to provide application flexibility.



## Using the Product

### (Fig. 1)

To turn the unit on, hold the viewer with the LCD screen facing you. Press the ON/OFF switch to turn on the unit.

Gently insert the camera head and cable into the environment containing the object to be viewed. The intensity of the illumination should be adjusted to give the best image on the viewing screen. In some circumstances less is best (especially if the object is highly reflective).

Protect the Handheld Device 13 and the Rechargeable Battery 14 from direct sunlight. Protect the Rechargeable Battery 14 against moisture. The Camera Cable 1 and Camera Head 2 are watertight if assembled correctly; the Handheld Device 13 is splash-proof. However, the Rechargeable Battery 14 is not protected against water. If it comes into contact with water, there is a risk of electric shock or damage.

Do not use the inspection camera if the lens on the Camera Head 2 has fogged up. Switch the inspection camera on only if the moisture has evaporated. The inspection camera may otherwise become damaged.

Do not use the cable or camera head to modify surroundings, clear pathways or clogged areas, or as anything other than an inspection device.

The hand-held display unit is not water-resistant. The camera head and its covering are water-resistant but are not acid-proof or fire-proof. Petroleum-based products will ruin the camera head's protective plastic covering over time. Avoid submersing the camera head into corrosive, oily places.

Do not insert the camera head and cable into any space containing live electric wiring or moving parts.

Do not use this device for medical inspections. This is not a medical device and personal injury could occur.

The Illumination Light 3 can become hot during operation. To avoid burns, do not touch the light.

Do not subject the inspection camera to extreme temperatures or variations in temperature. For example, do not leave it in a car for extended periods of time. In case of large variations in temperature, allow the inspection camera to adjust to the ambient temperature before putting it into operation.

# Operation

## Starting Operation

### Switching On and Off

(Fig. 1)

To **switch on** the inspection camera, press the ON/OFF Button **6** or the Center Button **9**.

**Note:** If the Camera Cable **1** is not fitted when switching on, the Display **5** will show an error message.

To **switch off** the inspection camera, press the ON/OFF Button **6** until the display switches off.

If no button on the inspection camera is pressed for a certain time, then the inspection camera will automatically switch itself off to preserve battery life. You can set the switchoff time in the main menu.

### Regulating the Illumination Light in the Camera Head

(Fig. 1)

To regulate the Illumination Light **3**, press the Left-Hand Button **8** or the Right-Hand Button **11** until it reaches the required brightness or the illumination light has switched off.

- **Do not look directly into the Illumination Light 3 and do not direct the Light 3 onto other people.** The light can blind your eyes.

### Zooming In/Out of the Image in the Display

(Fig. 1)

To set the magnification level on the Display **5**, press the Up Button **7** or the Down Button **10** until the required magnification level has been reached.


## Main Menu

(Fig. 1)

To access the **<Main menu>**, press the Center Button **9**.

### Navigating in the Menu

(Fig. 1)

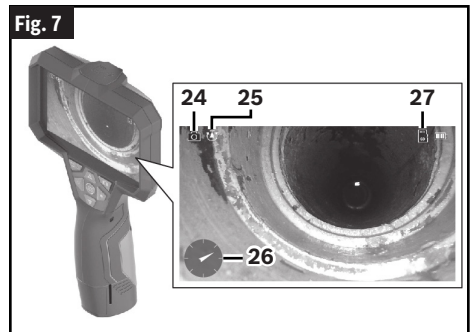
- To scroll through a menu, press the Up Button **7** or the Down Button **10**.
- To switch to a submenu, press the Center Button **9** or the Right-Hand Button **11**.
- To confirm a selected menu option, press the Center Button **9**.
- To switch a function with a virtual switch on or off , either press the Center Button **9**, the Right-Hand Button **11** or the Left-Hand Button **8**. This will also save the setting.
- To return to the previous, higher-level menu, briefly press the ON/OFF Button **6**.
- To exit the main menu and return to the camera display, briefly press the ON/OFF Button **6**.

## Menu Options

(Fig. 1, Fig. 6, Fig. 7, Fig. 8)

- **<Up Indication>**: Switch the function on or off.

When the Up Indication function is switched on, the Up Indication Status Indicator **25** displays, and the arrow of the Up Indication Direction Indicator **26** shows where "up" is in the image.



# Operation

**Note:** The function is limited if a Mirror **21** is fitted and/or with a vertically aligned Camera Cable **1**.

- **<Gallery>**: This is where recorded photos and videos can be accessed.

You can select the required file based on its date using the Down Button **10** or the Up Button **7**.

Press the Right-Hand Button **11** or the Center Button **9** to see a preview of the selected photo or video.

To open the selected file, press the Center Button **9**.

**Note:** If a Micro-SD Card **28** is inserted into the Micro-SD Card Slot **29** on the Handheld Device **13**, only files saved on this Micro-SD Card **28** are displayed. To open photos from the internal storage, you must first remove the Micro-SD Card **28** from the Micro-SD Card Slot **29** under the Top Flap **30**.

- **<Camera mode>**: Choose between **<Photo>** and **<Video>** for recordings.
- **<Display brightness>**: Set the required brightness for the display.
- **<Color>**: Switch between the color view and black/white view of the display.
- **<Device settings>**

**<Date & time>**: You can set the date and time for saving photos or videos and select the date and time format.

**Note:** If the date and time can no longer be saved, the built-in coin cell is drained.

Contact an authorised Bosch-after-sales service center if this happens.

**<Language>**: Select the language used in the display.

**<Switch off after ...>**: Choose the time interval after which the inspection camera will switch off automatically if no button is pressed.

- **<Device info>**: Here you will find device information, such as the installed software version and legal information.
- **<Factory reset>**: You can reset all of the menu options to factory settings. This also simultaneously and permanently deletes all of the saved files.

---

## Saving/Transferring the Recordings

---

### Taking Photos/Videos

(Fig. 1, Fig. 7, Fig. 8)

If a Micro-SD Card **28** is inserted into the Micro-SD Card Slot **29**, the photos and videos are saved on the card.

If no Micro-SD Card **28** is present, photos are stored on the internal storage on the inspection camera and it is not possible to take videos.

**Photo mode:** Press the Photo/Video Recording Button **12** to take a photo of the current display view.

**Video mode:** To start filming a video, press the Photo/Video Recording Button **12**. The the Recording Mode Symbol **24** will appear on the Display **5**.

To stop recording, press the Photo/Video Recording Button **12** again or the Center Button **9**.

You can switch between photo and video mode in the **<Main menu>**.

Fig. 8

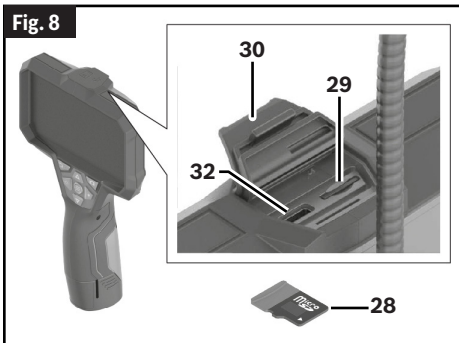
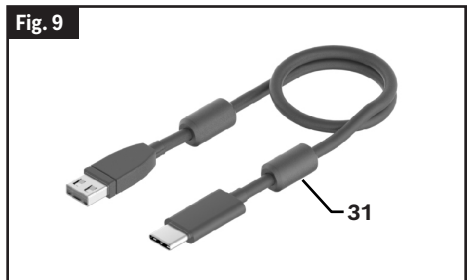


Fig. 9



## Data Transfer Overview

(Fig. 8, Fig. 9)

- Transferring photo files **from the internal storage to the Micro-SD Card 28**: When a Micro-SD Card 28 is inserted into the Micro-SD Card Slot 29, a request appears in the display asking whether the data saved on the inspection camera's internal storage should be transferred to the Micro-SD Card 28.
- Transferring photo files **from the internal storage via USB Type-C®**: Transfer is only possible if there is no Micro-SD Card 28 inserted in the inspection camera.
- Transferring files **from the Micro-SD Card 28**: You can transfer files from the inserted Micro-SD Card 28 either via USB Type-C® Cable 31\* or by removing the Micro-SD Card 28 and inserting it into another device.

\* USB Type-C® and USB-C® are trademarks of USB Implementers Forum.

## Inserting the Micro-SD Card

(Fig. 7, Fig. 8)

Open the Top Flap 30 and push the Micro-SD Card 28 all the way into the Micro-SD Card Slot 29, paying attention to the correct orientation. The Micro-SD Card Status Indicator 27 will appear on the Display 5. Carefully close the Top Flap 30 again.

## Data Transfer via the USB Type-C® Interface

(Fig. 8, Fig. 9)

Switch on the inspection camera to transfer data via the USB Type-C® interface. Open the Top Flap 30. Connect the USB Type-C® Port 32 to your PC via the USB Type-C® Cable 31\*.

\* USB Type-C® and USB-C® are trademarks of USB Implementers Forum.

Open the file browser on your PC and select the **Bosch\_GIC** drive. The saved files can be copied from the internal memory or the Micro-SD Card 28 of the inspection camera, moved to your PC or deleted.

As soon as you have completed the required operation, disconnect the drive following the standard procedure.

**Note:** Always disconnect the Micro-SD Card 28 from the operating system of the PC first (eject drive), as failure to do so may damage the internal memory of the inspection camera.

Then, switch off the inspection camera. Remove the USB Type-C® Cable 31 and close the Top Flap 30 for protection against dust and splashing water.

**Note:** Only use the USB Type-C® Port 32 to connect the inspection camera to a PC. The inspection camera may be damaged if connected to other devices.

**Note:** The USB Type-C® Port 32 can only be used for data transfer. Rechargeable batteries or other devices cannot be charged by this interface.

---

## Working Advice

(Fig. 1)

Check the environment that you want to inspect, paying particular attention to obstacles or hazardous areas.

Bend the Camera Cable 1 so that the Camera Head 2 can be easily introduced into the environment to be inspected. Carefully introduce the Camera Cable 1.

Adjust the brightness of the camera's Illumination Light 3 so that the image is easily recognizable.

When photographing highly reflective objects, for example, you can achieve better results in lower light or using black and white contrast setting.

If objects to be inspected look blurred, then reduce or increase the distance between the Camera Head 2 and the object.

# Maintenance and Service

## Maintenance and Cleaning

(Fig. 1)

**⚠ WARNING** Check the tool each time before use. In case of visible damage or loose components inside the measuring tool, safe function can no longer be ensured.

Keep the tool clean at all times. Clean the inspection camera and all accessories particularly thoroughly after you have worked in areas with substances harmful to health.

Wipe off any dirt using a damp, soft cloth. Do not use any detergents or solvents.

Clean the Camera Lens **4** in particular regularly and make sure to check for any lint.

Do not immerse the tool into water or other fluids.

If the tool should fail despite the care taken in manufacturing and testing procedures, repair should be carried out by an authorized after-sales service center for Bosch power tools. Do not open the measuring tool yourself.





In all correspondence and spare parts orders, please always include the 10-digit article number given on the type plate of the tool.

## Environment Protection

Recycle raw materials & batteries instead of disposing of waste. The unit, accessories, packaging & used batteries should be sorted for recycling in accordance with the latest regulations.

# Troubleshooting

## Errors – Causes and Corrective Measures

Error indicator in the display	Cause	Corrective Measure
 (yellow warning)	Internal memory almost full	Delete the files from the internal memory or insert a Micro-SD Card <b>28</b> (Fig. 8).
 (red warning)	Internal memory full	Delete the files from the internal memory or insert a Micro-SD Card <b>28</b> (Fig. 8).
	Error in the internal memory	Restart the inspection camera. If the problem persists, contact an authorised Bosch after-sales service center.
 (yellow warning)	Micro-SD card almost full	Delete the files from the Micro-SD Card <b>28</b> (Fig. 8).
 (red warning)	Micro-SD card full	Delete the files from the Micro-SD Card <b>28</b> (Fig. 8).
	Error in the micro-SD card	Remove the Micro-SD Card <b>28</b> (Fig. 8) and insert it again. Check the Micro-SD Card <b>28</b> (Fig. 8) in a different device.







## Accessories

Optional accessories and attachments that may or may not be include in the kit:

- Camera Cable 1 600 A02 R6M 4.9 ft (1.5 m) / 0.32 in (8.3 mm)
- Camera Cable 1 600 A02 R6P 11.5 ft (3.5 m) / 0.32 in 8.3 mm
- Camera Cable (Dual Camera) 1 600 A02 Z65 4.9 ft (1.5 m) / 0.32 in (8.3 mm)
- Camera Cable 1 600 A02 Z66 4.9 ft (1.5 m) / 0.15 in (3.9 mm)

## Symboles relatifs à la sécurité

Les définitions ci-dessous décrivent le niveau de gravité pour chaque terme concernant des précautions à prendre. Veuillez lire le mode d'emploi et lire la signification de ces symboles.

	C'est le symbole d'alerte relatif à la sécurité. Il est utilisé pour vous avertir de l'existence possible d'un risque de blessure. Obéissez à tous les messages relatifs à la sécurité qui suivent ce symbole pour éviter tout risque de blessure ou même de mort.
	DANGER indique une situation dangereuse qui, si elle n'est pas évitée, causera la mort d'une personne ou une blessure grave.
	AVERTISSEMENT indique une situation dangereuse qui, si elle n'est pas évitée, pourrait causer la mort d'une personne ou une blessure grave.
	MISE EN GARDE indique une situation dangereuse qui, si elle n'est pas évitée, pourrait causer une blessure légère ou modérée.

## Table des matières

Consignes générales de sécurité . . . . .	19	Maintenance et et service après-vente . . . . .	32
Consignes de sécurité pour la caméra d'inspection . . . . .	21	Maintenance et nettoyage . . . . .	32
Mise en garde de la FCC . . . . .	21	Protection de l'environnement . . . . .	32
Industrie Canada (IC) . . . . .	22	Recherche de la cause des problèmes . . . . .	32
Utilisation prévue . . . . .	22	Erreurs – Causes et remèdes . . . . .	32
Symboles . . . . .	23	Accessoires . . . . .	33
Familiarisez-vous avec votre caméra d'inspection GIC5-27C . . . . .	24		
Spécifications . . . . .	25		
Assemblage . . . . .	26		
Alimentation électrique . . . . .	26		
Mise en place du câble de la caméra . . . . .	27		
Retrait du câble de la caméra . . . . .	27		
Mise en place du miroir, de l'aimant ou du crochet . . . . .	27		
Fonctionnement . . . . .	28		
Description du produit . . . . .	28		
Utilisation du produit . . . . .	28		
Commencement de l'utilisation . . . . .	29		
Menu principal . . . . .	29		
Sauvegarde/transfert des enregistrements . . . . .	30		
Conseils pour l'utilisation . . . . .	31		

# Consignes générales de sécurité

**⚠ AVERTISSEMENT** Lisez toutes les consignes de sécurité, instructions, illustrations et spécifications fournies avec cet outil. Le non-respect de toutes les instructions figurant ci-après pourrait causer un choc électrique, un incendie et/ou des blessures graves.

## CONSERVEZ TOUS LES AVERTISSEMENTS ET TOUTES LES INSTRUCTIONS POUR RÉFÉRENCE FUTURE.

Dans les avertissements, le terme « outil » se rapporte à votre outil branché sur le secteur (avec fil) ou à votre outil alimenté par piles (sans fil).

### 1. Sécurité du lieu de travail

- a. **Maintenez le lieu de travail propre et bien éclairé.**  
Les risques d'accident sont plus élevés quand on travaille dans un endroit encombré ou sombre.
- b. **N'utilisez pas d'outils dans des atmosphères explosives, comme par exemple en présence de gaz, de poussières ou de liquides inflammables.**  
Les outils produisent des étincelles qui risquent d'enflammer les poussières ou les vapeurs.
- c. **Éloignez les enfants et les visiteurs quand vous servez d'un outil électrique.** Vous risquez une perte de contrôle si on vous distrait.

### 2. Sécurité électrique

**⚠ AVERTISSEMENT** Les piles risquent d'exploser ou de fuir, et de causer des blessures ou un incendie. Afin de réduire ce risque, suivez toujours toutes les instructions et tous les avertissements figurant sur l'étiquette des piles et sur l'emballage.

- a. **N'exposez PAS l'outil et la pile à la pluie ou à des conditions humides.** L'eau qui pénètre dans l'outil augmentera le risque d'incendie et de blessures.
- b. **NE COURT-CIRCUITEZ PAS de bornes des piles.**
- c. **NE MÉLANGEZ PAS des piles ayant des compositions chimiques différentes.**
- d. **Jetez ou recyclez les piles conformément aux règlements du code local.**
- e. **NE JETEZ PAS des piles dans un feu.**
- f. **Gardez les piles hors de la portée des enfants.**
- g. **Retirez les piles si vous ne pensez pas utiliser cet instrument pendant plusieurs mois.**
- h. **Retirez les piles de l'outil lorsque vous ne l'utilisez pas pendant des périodes prolongées.** Lors d'un stockage prolongé, les piles peuvent se corroder et se décharger automatiquement.

- i. **L'outil est équipé d'une interface radio.** Les restrictions d'exploitation locales, par ex. dans les avions ou les hôpitaux, doivent être observés.
- j. **Prévenez une mise en marche accidentelle.** Assurez-vous que l'interrupteur est dans la position d'arrêt avant d'insérer les piles. L'activation accidentelle d'un outil ayant l'interrupteur dans la position de marche invite les accidents.

### 3. Sécurité personnelle

- a. **N'apportez aucune modification à l'outil et à la pile.**
- b. **Restez alerte, surveillez ce que vous êtes en train de faire et faites preuve de bons sens lorsque vous utilisez un quelconque outil. N'utilisez pas un outil pendant que vous êtes fatigué(e) ou sous l'influence de drogues, d'alcool ou de médicaments.** Un moment d'inattention pendant que vous vous servez d'un outil risquerait de causer de graves blessures personnelles ou de produire des résultats de mesures imprécis.
- c. **Utilisez des équipements de sécurité. Portez toujours une protection des yeux.** Des équipements tels que des masques antipoussières, des chaussures de sécurité antidérapantes, un casque ou une protection des oreilles utilisés pour les conditions appropriées réduiront les blessures corporelles.
- d. **Prenez des précautions lorsque vous utilisez des outils à proximité de sources de dangers électriques.**

### 4. Utilisation et entretien

- a. **Utilisez l'outil correct pour votre application.** L'outil correct fera un meilleur travail avec une sécurité accrue.
- b. **Ne vous servez pas de l'outil si son interrupteur ne parvient pas à le mettre en marche ou à l'arrêter.** Tout outil qui ne peut pas être commandé par son interrupteur est dangereux et doit être réparé.

CONSERVEZ CES INSTRUCTIONS

## Consignes générales de sécurité

- c. **Rangez les outils dont vous ne vous servez pas hors de portée des enfants et ne permettez pas à des personnes qui ne connaissent pas l'outil ou qui ignorent ces consignes de s'en servir.** Les outils sont dangereux dans les mains d'utilisateurs inexpérimentés.
- d. **Entretenez les outils.** Assurez-vous que les pièces en mouvement sont bien alignées et qu'elles ne se coincent pas, qu'il n'y a pas de pièces cassées ou qu'il n'existe aucune situation pouvant affecter le fonctionnement. Si l'outil est abîmé, faites-le réparer avant de l'utiliser. De nombreux accidents sont causés par des outils mal entretenus.
- e. **Utilisez l'outil, les accessoires, etc. conformément à ces instructions, en tenant compte des conditions de travail et des travaux à réaliser.** L'emploi d'outils pour des tâches différentes de celles pour lesquelles ils ont été prévus pourrait résulter en une situation dangereuse.
- ou à une température supérieure à 265° F (130° C) pourrait causer une explosion.
- g. **Suivez toutes les instructions relatives à la charge et ne chargez pas le bloc-piles ou l'outil en dehors de la plage de température indiquée dans les instructions.** Une charge dans des conditions inappropriées ou à des températures en dehors de la plage spécifiée pourrait endommager les piles et augmenter le risque d'incendie.
- h. **Débranchez la pile de l'outil avant d'effectuer des réglages, de changer d'accessoires ou de ranger l'outil.** Ces mesures de sécurité préventives réduisent le risque d'une mise en marche accidentelle de l'outil.
- i. **Ne modifiez pas et n'essayez pas de réparer l'outil ou le bloc-piles, sauf conformément à ce qui est indiqué dans les instructions d'utilisation et d'entretien.**

---

### 5. Utilisation et entretien des outils à piles

- a. **Rechargez les piles uniquement avec le chargeur spécifié par le fabricant.** Un chargeur qui convient à un type de bloc-piles peut entraîner un risque d'incendie quand il est utilisé avec un autre bloc-piles.
- b. **Utilisez des outils uniquement avec les bloc-piles spécifiquement désignés pour eux.** L'utilisation de tout autre bloc-piles peut créer un risque de blessures et d'incendie.
- c. **Lorsque le bloc-piles n'est pas utilisé, gardez-le à distances d'autres objets métalliques tels que des trombones, des pièces de monnaie, des clés, des clous, des vis ou de tout autre objet métallique pouvant faire une connexion entre une borne et une autre.** Court-circuiter les bornes des piles peut causer des brûlures ou un incendie.
- d. **Dans des conditions abusives, du liquide peut être éjecté de la pile ; dans un tel cas, évitez tout contact avec ce liquide.** Si un contact se produit accidentellement, rincez avec de l'eau. Si le liquide entre en contact avec les yeux, consultez un médecin. Du liquide éjecté de la pile peut causer des irritations ou des brûlures.
- e. **N'utilisez pas un bloc-piles ou un outil qui est endommagé ou a été modifié.** Des piles endommagées ou modifiées peuvent se comporter de façon imprévisible et causer un incendie ou une explosion, ou entraîner des blessures.
- f. **N'exposez pas un bloc-piles ou un outil à un feu ou à une température excessive.** L'exposition à un feu

---

### 6. Entretien

- a. **Faites réparer votre outil par un agent de service qualifié n'utilisant que des pièces de rechange identiques.** Ceci assure que la sécurité de l'outil est préservée.
- b. **Préparez un calendrier de maintenance périodique pour l'instrument. Lorsque vous nettoyez un instrument, faites attention de ne pas démonter une partie quelconque de l'instrument étant donné que des fils internes risqueraient d'être déplacés ou pincés, ou qu'ils pourraient être remontés de façon incorrecte.** Certains produits de nettoyage tels que de l'essence, du tétrachlorure de carbone, de l'ammoniac, etc. risqueraient d'endommager les composants en plastique.

## Consignes de sécurité pour la caméra d'inspection

**⚠ AVERTISSEMENT** Risque de brûlure chimique. Gardez les piles au lithium en forme de bouton/pièce de monnaie hors de portée des enfants.

**Ce produit contient une pile au lithium en forme de bouton/pièce de monnaie.** Si une pile au lithium en forme de bouton/pièce de monnaie neuve ou usagée est avalée ou entre dans le corps, elle risque de causer de graves brûlures internes et de causer la mort en deux heures seulement. Sécurisez toujours complètement le compartiment des piles. Si le compartiment des piles n'est pas bien sécurisé, cessez d'utiliser le produit, retirez-en les piles et gardez hors de la portée des enfants. Si vous pensez que des piles ont pu avoir été avalées ou placées dans une partie quelconque du corps, consultez immédiatement un membre du corps médical.

**Toutes les piles en forme de pièces de monnaie, même les piles usagées, peuvent provoquer des blessures.** Elles doivent être mises au rebut de manière appropriée, notamment en les tenant hors de portée des enfants.

**Inspectez toujours la zone de travail avant de commencer un projet. Ne laissez pas un câble entrer en contact avec des sources de dangers électriques, chimiques ou mobiles. Coupez les disjoncteurs des circuits alimentant toute la zone lorsque vous sonder derrière des murs.** Ces mesures de prévention réduiront les risques d'explosion, de choc électrique et de dommages aux biens.

**N'utilisez pas cet appareil pour une inspection personnelle ou dans un but médical de quelque manière que ce soit. Cet appareil n'est pas un instrument médical.** Une telle utilisation pourrait causer des blessures graves.

**Ne placez pas la caméra d'inspection à un endroit où il peut y avoir des pièces mobiles.** Ceci réduit le risque de blessures causées par des enchevêtrements.

**Utilisez toujours des équipements de protection personnelle appropriés pendant que vous manipulez et utilisez la caméra d'inspection.** Les équipements de protection personnelle appropriés comprennent toujours des lunettes de sécurité et des gants, et ils peuvent comprendre des équipements tels que des

gants en caoutchouc ou en latex, des écrans faciaux, des lunettes à coques étanches, des vêtements de protection, des appareils respiratoires et des chaussures à coquille d'acier. Les drains et d'autres tuyaux d'évacuation peuvent contenir des produits chimiques, des bactéries et d'autres substances qui peuvent être toxiques ou infectieuses, qui risquent de causer des brûlures ou qui posent d'autres risques.

**Suivez de bonnes règles d'hygiène. Utilisez de l'eau savonneuse très chaude pour vous laver les mains et les autres parties de votre corps qui ont été exposées au contenu du drain après avoir manipulé ou utilisé la caméra d'inspection pour inspecter des drains ou d'autres tuyaux d'évacuation pouvant contenir des produits chimiques ou des bactéries. Ne mangez pas et ne fumez pas pendant que vous utilisez ou manipulez la caméra d'inspection.** Ceci contribuera à éviter la contamination par des matières toxiques ou infectieuses.

**N'utilisez pas la caméra d'inspection si l'opérateur ou l'appareil se trouve dans l'eau.** L'utilisation d'un appareil électrique en contact avec de l'eau augmente le risque de choc électrique.

**Ne vous servez pas du câble pour déboucher des tuyaux obstrués.** Cet appareil n'est pas un furet de plombier.

**N'immergez pas la poignée ou la partie de l'appareil comprenant l'écran d'affichage dans de l'eau. La tête de la caméra et le câble sont résistants à l'eau lorsque l'appareil est entièrement assemblé, mais l'écran vidéo ne l'est pas.** De telles mesures réduisent le risque de choc électrique et d'endommagement.



**Tenez les accessoires magnétiques éloignés des implants et autres dispositifs médicaux, par exemple les stimulateurs cardiaques ou les pompes à insuline.** Les aimants dans les accessoires produisent un champ qui peut nuire au fonctionnement des implants et des dispositifs médicaux.

**Maintenez les accessoires magnétiques à distance des supports de stockage des données magnétiques et des équipements sensibles au magnétisme.** L'effet des aimants dans les accessoires peut entraîner une perte de données irréversible.

## Mise en garde de la FCC

**FCC** Le fabricant n'est pas responsable des perturbations radioélectriques causées par des modifications non autorisées de ce matériel. De telles modifications pourraient annuler le droit de l'utilisateur de se servir de ce matériel.

Cet appareil est conforme à la Partie 15 des Règles de la FCC. Son exploitation est sujette au respect de deux conditions :

1. Cet appareil ne risque pas de causer des interférences nuisibles ; et

**CONSERVEZ CES INSTRUCTIONS**

## Mise en garde de la FCC

2. Cet appareil doit accepter toutes les interférences reçues, y compris les interférences qui peuvent causer un fonctionnement indésirable.

**REMARQUE :** Ce matériel a été testé et il a été démontré qu'il respecte les limites fixées pour un appareil numérique de Classe B, conformément à la Partie 15 des Règles de la FCC. Ces limites sont conçues de manière à assurer une protection raisonnable contre les perturbations nuisibles dans une installation résidentielle. Ce matériel produit, utilise et peut rayonner de l'énergie de fréquence radioélectrique et, s'il n'est pas installé et utilisé conformément aux instructions, il risque de causer des perturbations nuisibles aux communications radio. Pour être conforme aux limites d'exposition aux rayonnements RF de la FCC pour la population générale/exposition non contrôlée, cet appareil ne doit pas collecter ou fonctionner en conjonction avec une autre antenne ou un autre émetteur. Cependant, il n'est pas possible de garantir qu'aucune perturbation ne résultera d'une installation particulière. Si ce matériel cause des perturbations radioélectriques nuisibles affectant la réception de la radio ou de la télévision – ce qui peut être déterminé en mettant ce matériel sous tension et hors tension – l'utilisateur devrait essayer de remédier à de telles perturbations en prenant une ou plusieurs des mesures suivantes :

- Changer l'orientation de l'antenne de réception ou la placer à un autre endroit.
- Augmenter la distance entre le matériel et le récepteur.
- Brancher le matériel dans une prise de courant faisant partie d'un circuit différent de celui auquel le récepteur est connecté.
- Consulter le revendeur ou un technicien radio/télévision expérimenté pour obtenir de l'aide.

Exposition aux signaux de fréquences radioélectriques (RF) : L'appareil sans fil est un émetteur-récepteur radiophonique. Il est conçu et fabriqué pour ne pas dépasser les limites d'émission pour l'exposition aux fréquences radioélectriques (RF) déterminées par le Ministère de la Santé canadien dans le Code de sécurité 6. Ces limites entrent dans le cadre de directives détaillées et établissent les niveaux d'énergie RF autorisés pour la population générale.

Pour être conforme aux limites d'exposition aux rayonnements RF de la FCC pour la population générale/exposition non contrôlée, cet appareil ne doit pas fonctionner en conjonction avec une autre antenne ou un autre émetteur, ou être placé à proximité de celui-ci.

## Industrie Canada (IC)

Cet appareil remplit les conditions d'exemption de licence des charges sur les normes radioélectriques (RSS/CNR) d'Industrie Canada. Son fonctionnement est soumis aux deux conditions suivantes :

1. Cet appareil ne doit pas causer d'interférences ; et

2. Cet appareil doit accepter toutes les interférences, y compris celles qui sont susceptibles d'entraîner un fonctionnement indésirable de l'appareil.








## Utilisation prévue

La caméra d'inspection numérique convient à l'inspection des zones sombres ou difficiles d'accès. Elle convient également pour déplacer et retirer des objets petits et légers (par exemple, de petites vis) après avoir installé les accessoires fournis sur la tête de la caméra.

La caméra d'inspection numérique ne doit pas être utilisée à des fins médicales. Elle n'est pas non plus destinée à être utilisée pour éliminer les obstructions de tuyaux ou pour installer des câbles.

## Symboles

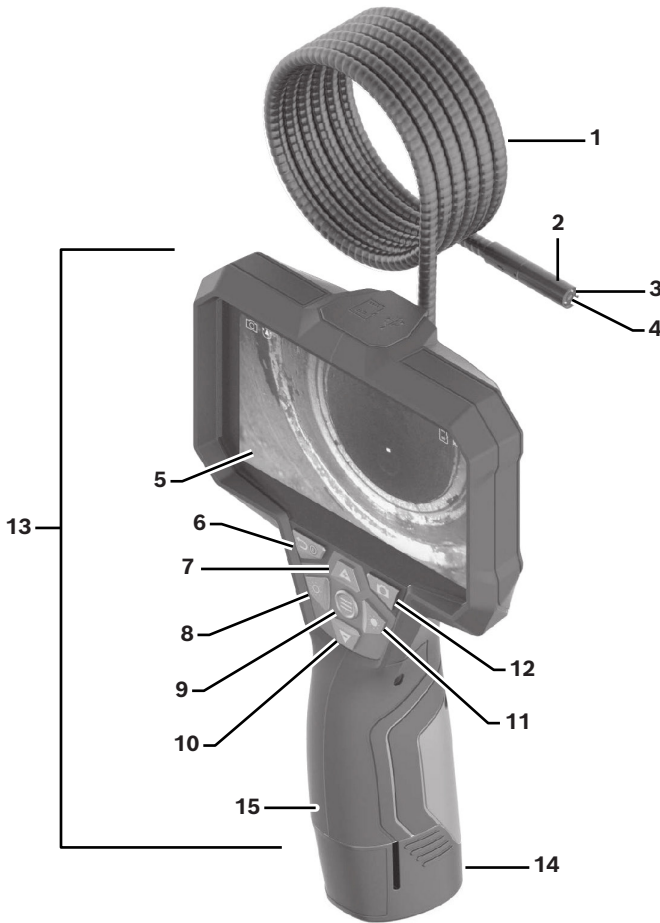
**Important :** Certains des symboles suivants peuvent être utilisés sur votre outil. Veuillez les étudier et apprendre leur signification. L'interprétation correcte de ces symboles vous aidera à mieux utiliser votre outil et à vous en servir plus efficacement et en toute sécurité.

Symbole	Désignation / Explication
V	Volts (tension)
A	Ampères (courant)
Hz	Hertz (fréquence, cycles par seconde)
W	Watts (puissance)
lb	Livres (poids)
kg	Kilogrammes (poids)
min	Minutes (temps)
s	Secondes (temps)
	Construction de classe II (désigne des outils de construction à double isolation)
	Borne de mise à la terre (borne de mise à la masse)
	Désigne un programme de recyclage des piles Li-ion
	Alerte l'utilisateur pour qu'il lise le mode d'emploi
	Alerte l'utilisateur pour lui demander de porter un dispositif de protection des yeux.
	Ce symbole indique la présence d'un champ magnétique.
	Ce symbole indique que l'appareil respecte les règles de la FCC.

## Familiarisez-vous avec votre caméra d'inspection GIC5-27C

**⚠ AVERTISSEMENT** Retirez le bloc-piles amovible avant de procéder à un assemblage, à des réglages ou à des changements d'accessoires. De telles mesures de sécurité préventives réduisent le risque de démarrage accidentel de l'outil.

Fig. 1



- |   |                        |    |                                     |
|---|------------------------|----|-------------------------------------|
| 1 | Câble de la caméra     | 9  | Bouton central                      |
| 2 | Tête de la caméra      | 10 | Bouton vers le bas                  |
| 3 | Lampe d'éclairage      | 11 | Bouton vers la droite               |
| 4 | Objectif de la caméra  | 12 | Bouton d'enregistrement photo/vidéo |
| 5 | Écran d'affichage      | 13 | Dispositif tenu à la main           |
| 6 | Bouton de Marche/Arrêt | 14 | Pile rechargeable *                 |
| 7 | Bouton vers le haut    | 15 | Compartiment de la pile             |
| 8 | Bouton vers la gauche  |    |                                     |

\* Non incluse dans le produit standard. Vous pouvez trouver la sélection complète des accessoires dans notre gamme d'accessoires.



## Spécifications

Numéro de modèle	GIC5-27C
Numéro de l'article	3 601 B41 4..
Taille d'affichage	5 po (127 mm)
Résolution d'affichage	1280px × 720px
Résolution de la caméra, fichiers photo et vidéo	1280px × 720px
Format des captures d'écran	JPG
Format vidéo	AVI
Cadence de prise de vues – Cadence de prise de vues sans indication de montée : – Avec l'indication de montée :	20 images par seconde 7 images par seconde
Nombre max. de photos dans la mémoire interne	30
Champ de vision	75°
Distance de mise au point	1,18-3,15 po (30-80 mm)
Intensité lumineuse maximale de la lampe d'éclairage dans la tête de la caméra (à une distance de 50 mm dans un environnement sombre)	200 lx
Durée max. d'immersion de la tête de la caméra/du câble dans du diesel, de l'huile de moteur, de l'alcool éthylique, de l'essence ou de l'eau salée (teneur en sel de 26,5 %)	30 minutes
Liste des piles / chargeurs – Piles rechargeables (bloc-piles au lithium-ion Bosch de 10,8 V/12 V Max.) : – Chargeurs:	BAT414 (2,0Ah), BAT420 (4,0Ah), GBA12V30 (3,0Ah), GBA12V60 (6,0Ah) BC330, BC430, GAX1218V-30, GAL12V-20
Alimentation de secours pour éviter les interruptions de fonctionnement : – Pile en forme de pièce de monnaie : – Durée de vie de la pile :	CR2450 (3V, pile au lithium) environ 3 ans
Autonomie de fonctionnement, approx., avec une pile rechargeable (Li-ion) [1, 2] :	6h
Poids selon la procédure EPTA 01:2014 avec une pile rechargeable (Li-ion) [3] :	1,61-2,07 lb (0,73-0,94 kg)
Dimensions (longueur × largeur × hauteur) [1]	9,52 po × 5,51 po × 2,60 po (242 mm × 140 mm × 66 mm)
Indice de protection de l'appareil portatif (à l'exclusion du compartiment de la pile)	IP54
Indice de protection de la tête de la caméra et du câble de la caméra	IP67
Température ambiante recommandée pendant la charge	32 °F à +95 °F (0 °C à +35 °C)
Température ambiante permise pendant le fonctionnement	14 °F à 122 °F (-10 °C à +50 °C)
Température ambiante permise pendant le stockage	-4 °F à 158 °F (-20 °C à +70 °C)

### Remarques :

1. Avec un bloc-piles BAT414 (2,0 Ah).
2. Avec l'écran d'affichage de la caméra, luminosité moyenne de l'écran, lampe d'éclairage avec une luminosité de 50 %.
3. Cela dépend de la pile utilisée.

## Alimentation électrique

L'outil peut être utilisé avec une pile Li-ion Bosch rechargeable.

## Fonctionnement avec le bloc-piles

**⚠ AVERTISSEMENT** N'utilisez que des blocs-piles au lithium-ion rechargeables Bosch recommandés dans la section de ce mode d'emploi contenant les spécifications. L'utilisation de tout autre bloc-piles peut augmenter le risque d'incendie, de blessure et de dommages matériels.

**⚠ AVERTISSEMENT** Retirez les piles de l'outil lorsque vous avez l'intention de ne plus vous en servir pendant une période prolongée. Quand elles sont laissées inutilisées pendant des périodes prolongées, les piles risquent de se corroder et de se décharger.

**Remarque :** Le bloc-piles est fourni partiellement chargé. Pour s'assurer que le bloc-piles est chargé à sa pleine capacité, chargez complètement le bloc-piles dans le chargeur de piles avant de vous en servir pour la première fois.

**⚠ AVERTISSEMENT** N'utilisez que des chargeurs Bosch recommandés dans la section de ce mode d'emploi contenant les spécifications. L'utilisation de tout autre chargeur peut augmenter le risque d'incendie, de blessure et de dommages matériels.

Le bloc-piles au lithium-ion peut être chargé à n'importe quel moment sans que cela ne risque de réduire sa durée de vie utile. L'interruption de la procédure de charge n'endommage pas le bloc-piles.

La pile au lithium-ion est protégée contre une décharge en profondeur par la technologie ECP (« Electronic Cell Protection »). Un circuit de protection désactive le niveau laser lorsque les piles sont déchargées.

- Si l'outil s'éteint automatiquement, ne continuez pas à appuyer sur le bouton de marche/arrêt. Ceci pourrait endommager les piles.

## Pour insérer le bloc-piles

(Fig. 2)

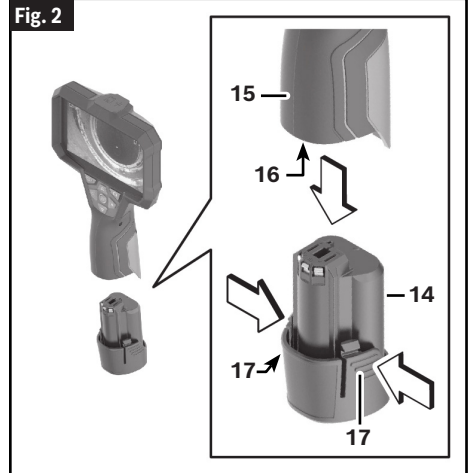
**⚠ AVERTISSEMENT** Si les languettes d'éjection de la pile sont fissurées ou endommagées de toute autre manière, n'insérez pas la pile dans l'outil. La pile pourrait en tomber pendant le fonctionnement.

Pour insérer la pile rechargeable 14, faites-le glisser dans l'orifice d'insertion des piles 16 jusqu'à ce qu'il se verrouille en place. Ne forcez pas.

## Pour retirer le bloc-piles

(Fig. 2)

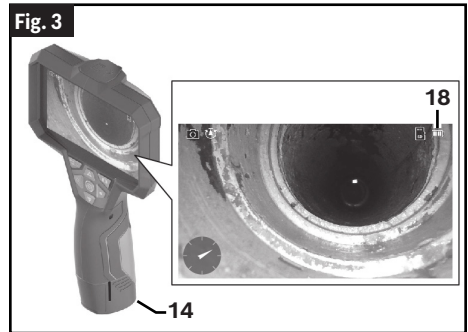
Pour retirer la pile rechargeable 14, appuyez sur les languettes d'éjection de la pile 17 et retirez la pile 14 du compartiment de la pile 15. Ne forcez pas.








## Indicateur d'état de charge de la pile

(Fig. 3)

L'indicateur d'état de charge de la pile 18 sur l'écran 5 montre le niveau de charge de la pile 14.



## Assemblage

Indication	Capacité
	100 %
	75 %
	50 %
	25 %
	Clignote trois fois ; il reste 15 minutes ou moins.

### Recommandations pour une manipulation optimale de la pile

Protégez la pile contre l'humidité et l'eau.

Ne rangez la pile que dans une plage de température comprise entre -20° C et +70° C / -4° F et 158° F. Ne laissez pas la pile dans votre voiture en été, par exemple.

Une autonomie de fonctionnement significativement réduite après une recharge indique que la pile est usée et doit être remplacée.

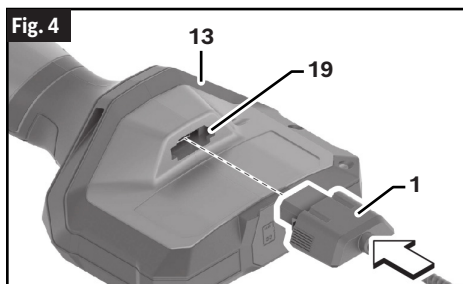
Suivez les instructions pour effectuer une mise au rebut correcte.

### Mise en place du câble de la caméra

#### (Fig. 4)

Pour faire fonctionner la caméra d'inspection, le câble de la caméra **1** doit être installé sur le dispositif tenu à la main **13**.

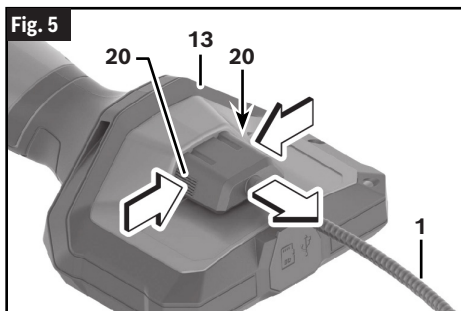
Poussez le connecteur du câble de la caméra **1** sur le raccord de connexion de la caméra **19** dans la position correcte jusqu'à ce qu'il s'enclenche.



### Retrait du câble de la caméra

#### (Fig. 5)

Pour retirer le câble de la caméra **1**, appuyez sur le mécanisme de verrouillage du câble **20** et tirez le connecteur hors du dispositif tenu à la main **13**.



### Mise en place du miroir, de l'aimant ou du crochet

#### (Fig. 6)

Le miroir **21**, le crochet **22** ou l'aimant **23** peut être monté sur la tête de la caméra **2** en tant qu'accessoire.

Poussez l'un des trois accessoires à fond sur la tête de la caméra **2**.

**Remarque :** L'aimant **23** et le crochet **22** ne conviennent que pour déplacer et enlever des objets petits et légers qui ne sont pas attachés. Une traction trop forte risque d'endommager la caméra d'inspection ou l'accessoire.

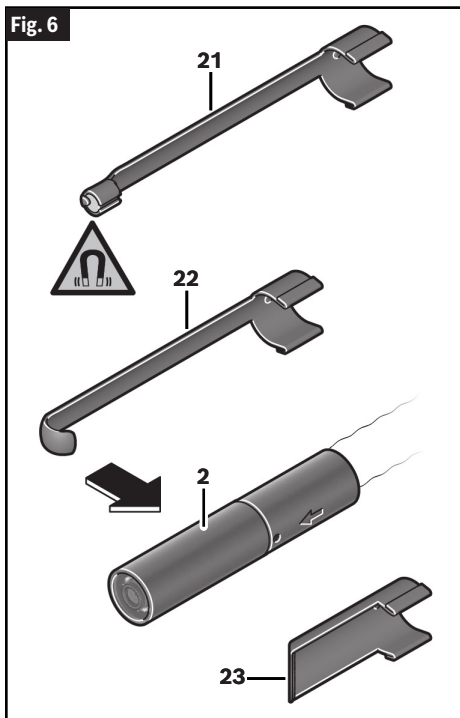
# Fonctionnement

## Description du produit

(Fig. 1, Fig. 6)

Le produit est un appareil d'inspection optique tenu à la main qui est conçu pour donner à l'utilisateur la possibilité de voir des objets à des endroits autrement inaccessibles. L'image est affichée en couleurs sur l'écran d'affichage 5.

Cet appareil est muni d'une source de production d'images et d'éclairage avec réglage possible de l'intensité d'éclairage par la DEL afin de permettre à l'utilisateur d'optimiser les conditions d'éclairage en fonction des circonstances pour le visionnement. Ces fonctionnalités rendent possible une inspection visuelle précise et détaillée. Les accessoires (miroir 21, crochet 22 et aimant 23) peuvent être connectés à la tête de la caméra 2 pour donner plus de flexibilité en fonction de l'application.



## Utilisation du produit

(Fig. 1)

Pour mettre l'appareil sous tension, tenez la partie visionnement de l'appareil de façon que l'écran ACL soit orienté face à vous. Appuyez sur l'interrupteur Marche/Arrêt pour activer l'appareil.

Insérez délicatement la tête de la caméra et le câble dans l'environnement contenant l'objet à visualiser. L'intensité de l'éclairage doit être ajustée afin de produire la meilleure image possible sur l'écran d'affichage. Dans certaines circonstances, il peut être préférable de réduire l'intensité de l'éclairage (en particulier si l'objet a une surface extrêmement réfléchissante).

Protégez le dispositif tenu à la main 13 et la pile rechargeable 14 de la lumière directe du soleil. Protégez la pile rechargeable 14 de l'humidité. Le câble de la caméra 1 et la tête de la caméra 2 sont étanches s'ils sont assemblés correctement ; le dispositif tenu à la main 13 est protégé contre les éclaboussures. Cependant, la pile rechargeable 14 n'est pas protégée contre l'eau. Si elle entre en contact avec de l'eau, il y a un risque de choc électrique ou d'endommagement.

N'utilisez pas la caméra d'inspection si l'objectif de la tête de la caméra 2 est embué. Ne mettez la caméra d'inspection en marche que si l'humidité s'est évaporée. Sinon, la caméra d'inspection risquerait d'être endommagée.

N'utilisez pas le câble ou la tête de la caméra pour modifier votre environnement, dégager des voies d'accès ou des zones obstruées, ou comme autre chose qu'un dispositif d'inspection.

L'écran d'affichage portable n'est pas résistant à l'eau. La tête de la caméra et son revêtement sont résistants à l'eau mais ne sont pas résistants à l'acide ou au feu. Les produits à base de pétrole détruisent progressivement le revêtement plastique protecteur de la tête de la caméra. Évitez d'immerger la tête de la caméra dans des endroits corrosifs et huileux.

N'insérez pas la tête de la caméra et le câble dans un espace contenant des fils électriques sous tension ou des pièces mobiles.

N'utilisez pas cette caméra pour des inspections médicales. Il ne s'agit pas d'un appareil médical, et des blessures peuvent survenir.

La lampe d'éclairage 3 peut devenir très chaude quand elle est allumée. Pour éviter les brûlures, ne touchez pas la lampe.

N'exposez pas la caméra d'inspection à des températures extrêmes ou à des variations considérables de la température. Par exemple, ne la laissez pas à l'intérieur d'une voiture pendant une période prolongée. En cas de variations importantes de la température, attendez que la caméra d'inspection s'ajuste à la température ambiante avant de la mettre en marche.

# Fonctionnement

## Commencement de l'utilisation

### Mise sous tension / hors tension

(Fig. 1)

Pour **mettre sous tension** la caméra d'inspection, appuyez sur le bouton de Marche/Arrêt **6** ou sur le bouton central **9**.

**Remarque :** Si le câble **1** de la caméra n'est pas installé lors de la mise sous tension, l'écran **5** affichera un message d'erreur.

Pour **mettre hors tension** la caméra d'inspection, appuyez sur le bouton de Marche/Arrêt **6** jusqu'à ce que l'écran s'éteigne.

Si aucun bouton de la caméra d'inspection n'est actionné pendant un certain temps, la caméra d'inspection s'éteint automatiquement pour préserver la durée de vie de la pile. Vous pouvez régler le délai avant l'extinction depuis le menu principal.

### Réglage de la lampe d'éclairage dans la tête de la caméra

(Fig. 1)

Pour régler la lampe d'éclairage **3**, appuyez sur le bouton vers la gauche **8** ou le bouton vers la droite **11** jusqu'à ce qu'elle atteigne la luminosité souhaitée ou que la lampe d'éclairage s'éteigne.

- **Ne regardez pas directement la lampe d'éclairage 3 et ne dirigez pas la lumière de cette lampe 3 vers d'autres personnes.** La lumière pourrait vous aveugler.

### Zoom avant/arrière de l'image sur l'écran

(Fig. 1)

Pour régler le niveau d'agrandissement sur l'écran d'affichage **5**, appuyez sur le bouton vers le haut **7** ou le bouton vers le bas **10** jusqu'à ce que le niveau d'agrandissement souhaité soit atteint.

## Menu principal


(Fig. 1)

Pour accéder au **<Menu principal>**, appuyez sur le bouton central **9**.

### Navigation dans le menu

(Fig. 1)

- Pour faire défiler un menu, appuyez sur le bouton vers le haut **7** ou le bouton vers le bas **10**.

- Pour passer à un sous-menu, appuyez sur le bouton central **9** ou sur le bouton vers la droite **11**.
- Pour confirmer une option de menu sélectionnée, appuyez sur le bouton central **9**.
- Pour activer ou désactiver une fonction à l'aide d'un commutateur virtuel , appuyez sur le bouton central **9**, sur le bouton vers la droite **11** ou sur le bouton vers la gauche **8**. Cette opération permet également d'enregistrer le réglage.
- Pour revenir au menu précédent de niveau supérieur, appuyez brièvement sur le bouton de Marche/Arrêt **6**.
- Pour quitter le menu principal et revenir à l'écran d'affichage de la caméra, appuyez brièvement sur le bouton de Marche/Arrêt **6**.

### Options du menu

(Fig. 1, Fig. 6, Fig. 7, Fig. 8)

- **<Indication vers le haut>** : Activez ou désactivez la fonction.

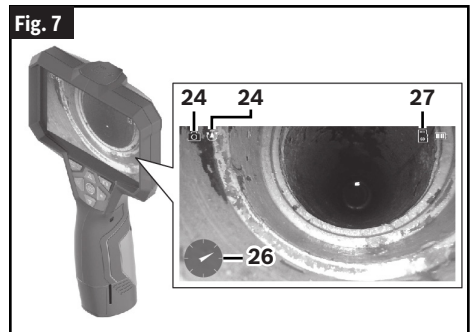
Lorsque la fonction d'indication vers le Haut est activée, l'indicateur d'état d'indication vers le Haut **25** est affiché, et la flèche de l'indicateur de direction d'indication vers le Haut **26** montre où « haut » est sur l'image.

**Remarque :** La fonction est limitée si un miroir **21** est installé et/ou si le câble de la caméra **1** est aligné verticalement.

- **<Galerie>** : C'est ici que l'on peut accéder aux photos et aux vidéos enregistrées.

Vous pouvez sélectionner le fichier souhaité en fonction de sa date à l'aide du bouton vers le bas **10** ou du bouton vers le haut **7**.

Appuyez sur le bouton vers la droite **11** ou sur le bouton central **9** pour afficher un aperçu de la photo ou de la vidéo sélectionnée.



# Fonctionnement

Pour ouvrir le fichier sélectionné, appuyez sur le bouton central **9**.

**Remarque :** Si une carte Micro-SD **28** est insérée dans le logement de la carte Micro-SD **29** du dispositif tenu à la main **13**, seuls les fichiers enregistrés sur cette carte Micro-SD **28** sont affichés. Pour ouvrir des photos du stockage interne, vous devez d'abord retirer la carte Micro-SD **28** du logement de la carte Micro-SD **29** située sous le rabat supérieur **30**.

- **<Mode Caméra>** : Choisissez entre **<Photo>** et **<Vidéo>** pour les enregistrements.
- **<Affichage de la luminosité>** : Pour régler la luminosité de l'écran d'affichage.
- **<Couleur>** : Permet d'alterner entre l'affichage en couleur et l'affichage en noir et blanc de l'écran.
- **<Paramètres de réglage de l'appareil>**
  - <Date & heure>** : Vous pouvez définir la date et l'heure d'enregistrement des photos ou des vidéos, et sélectionner le format de la date et de l'heure.

**Remarque :** Si la date et l'heure ne peuvent plus être enregistrées, cela signifie que la pile en forme de pièce de monnaie intégrée est complètement déchargée.

Dans ce cas, contactez un centre de service après-vente agréé de Bosch.

**<Langue>** : Sélectionnez la langue utilisée pour l'affichage.

**<Arrêter après ...>** : Choisissez l'intervalle de temps après lequel la caméra d'inspection s'éteindra automatiquement si aucun bouton n'est enfoncé.

- **<Informations sur l'appareil>** : Vous y trouverez des informations sur l'appareil, telles que la version du logiciel installé et les informations légales.
- **<Réinitialisation aux paramètres d'usine>** : Vous pouvez réinitialiser toutes les options du menu aux paramètres d'usine. Cette opération permet

également de supprimer simultanément et de manière permanente tous les fichiers sauvegardés.

## Sauvegarde/transfert des enregistrements

### Prise de photos/vidéos

(Fig. 1, Fig. 7, Fig. 8)

Si une carte Micro-SD **28** est insérée dans le logement de la carte Micro-SD **29**, les photos et les vidéos sont enregistrées sur la carte.

Si l'il n'y a pas de carte Micro-SD **28**, les photos sont stockées dans la mémoire interne de la caméra d'inspection, et il n'est pas possible de faire des vidéos.

**Mode photo** : Appuyez sur le bouton d'enregistrement photo/vidéo **12** pour prendre une photo de l'affichage actuel.

**Mode vidéo** : Pour commencer à filmer une vidéo, appuyez sur le bouton d'enregistrement photo/vidéo **12**. Le symbole du mode d'enregistrement **24** s'affiche sur l'écran **5**.

Pour arrêter l'enregistrement, appuyez à nouveau sur le bouton d'enregistrement photo/vidéo **12**, ou appuyez sur le bouton central **9**.

Vous pouvez alterner entre le mode photo et le mode vidéo sur l'écran d'accueil **<Menu principal>**.

### Aperçu du transfert de données

(Fig. 8, Fig. 9)

- Transfert de fichiers de photos **du stockage interne à la carte Micro-SD 28** : Quand une carte Micro-SD **28** est insérée dans le logement de la carte Micro-SD **29**, une demande apparaît sur l'écran d'affichage, pour savoir si les données enregistrées dans la mémoire interne de la caméra d'inspection doivent être transférées sur la carte Micro-SD **28**.
- Transfert de fichiers de photos **du stockage interne par le biais d'un câble USB Type-C®** : Le transfert n'est possible que si aucune carte Micro-SD **28** n'est insérée dans la caméra d'inspection.

Fig. 8

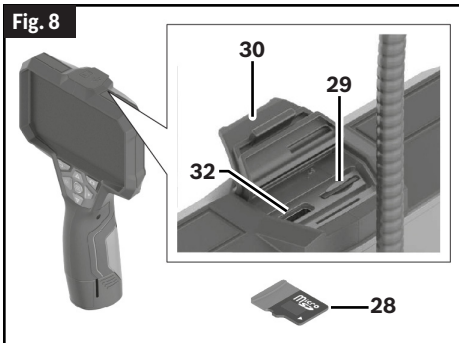
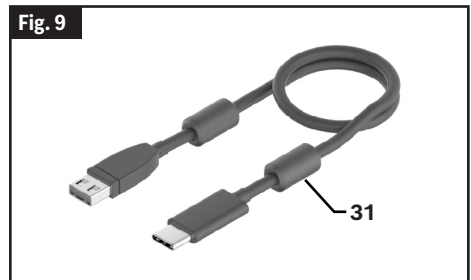


Fig. 9



# Fonctionnement

- Transfert de fichiers **depuis la carte Micro-SD 28** : Vous pouvez transférer des fichiers depuis la carte Micro-SD **28** insérée, soit via le câble USB Type-C® **31\***, soit en retirant la carte Micro-SD **28** et en l'insérant dans un autre appareil.

\* USB Type-C® et USB-C® sont des marques de commerce de l'USB Implementers Forum.

## ***Insertion de la carte Micro-SD***

(Fig. 7, Fig. 8)

Ouvrez le rabat supérieur **30** et insérez la carte Micro-SD **28** à fond dans le logement de la carte Micro-SD **29**, en veillant à l'orienter correctement. L'indicateur d'état de la carte Micro-SD **27** apparaîtra sur l'écran d'affichage **5**. Refermez soigneusement le rabat supérieur **30**.

## ***Transfert de données via l'interface USB Type-C®***

(Fig. 8, Fig. 9)

Allumez la caméra d'inspection pour transférer les données via l'interface USB Type-C®. Ouvrez le rabat supérieur **30**. Connectez le port USB Type-C® **32** à votre PC à l'aide du câble USB Type-C® **31\***.

\* USB Type-C® et USB-C® sont des marques de commerce de l'USB Implementers Forum.

Ouvrez le navigateur de fichiers sur votre PC et sélectionnez le lecteur **Bosch\_GIC**. Les fichiers enregistrés peuvent être copiés depuis la mémoire interne ou la carte Micro-SD **28** de la caméra d'inspection, déplacés vers votre PC ou supprimés.

Dès que vous avez terminé l'opération requise, déconnectez le lecteur en suivant la procédure standard.

**Remarque :** Déconnectez toujours la carte Micro-SD **28** du système d'exploitation de l'ordinateur en premier (éjectez le lecteur), faute de quoi vous risquez d'endommager la mémoire interne de la caméra d'inspection.

Ensuite, éteignez la caméra d'inspection. Retirez le câble USB Type-C® **31** et fermez le rabat supérieur **30** pour le protéger contre la poussière et les projections d'eau.

**Remarque :** Utilisez uniquement le port USB Type-C® **32** pour connecter la caméra d'inspection à un PC. La caméra d'inspection peut être endommagée si elle est connectée à d'autres appareils.

**Remarque :** Le port USB Type-C® **32** ne peut être utilisé que pour le transfert de données. Des piles rechargeables ou d'autres appareils ne peuvent pas être chargés par cette interface.

## **Conseils pour l'utilisation**

(Fig. 1)

Vérifiez l'environnement que vous souhaitez inspecter en accordant une attention particulière aux obstacles ou aux zones dangereuses.

Pliez le câble de la caméra **1** de manière à ce que la tête de la caméra **2** puisse être facilement introduite dans l'environnement à inspecter. Introduisez soigneusement le câble de la caméra **1**.

Réglez la luminosité de la lampe d'éclairage de la caméra **3** de manière à ce que l'image soit facilement reconnaissable.

Lorsque vous photographiez des objets très réfléchissants, par exemple, vous pouvez obtenir de meilleurs résultats avec une lumière plus faible ou en utilisant un réglage de contraste noir et blanc.

Si les objets à inspecter semblent flous, réduisez ou augmentez la distance entre la tête de la caméra **2** et l'objet.

## Maintenance et et service après-vente

### Maintenance et nettoyage

(Fig. 1)

**⚠ AVERTISSEMENT** Inspectez l'outil à chaque fois avant de vous en servir. En cas de dommage visible ou de pièces déconnectées à l'intérieur de l'outil, un fonctionnement sans danger ne peut plus être garanti.

Gardez l'outil propre à tout moment. Nettoyez particulièrement bien la caméra d'inspection et tous ses accessoires après avoir travaillé dans des zones contenant des substances toxiques.

Essayez toutes les saletés à l'aide d'un chiffon doux et humide. N'utilisez pas de solvants ou de détergents.

Nettoyez régulièrement l'objectif de la caméra 4 en particulier, et vérifiez qu'il n'y a pas de peluches.

N'immergez pas l'outil dans de l'eau ou dans d'autres liquides.

Si l'outil tombe en panne en dépit de toutes les précautions prises lors de la fabrication et des tests, faites-le réparer par un centre de service agréé pour les outils électriques Bosch. N'ouvrez pas l'outil vous-même.





Dans toute la correspondance et dans les commandes de pièces de rechange, incluez toujours le numéro d'article à 10 chiffres qui figure sur la plaque signalétique de l'outil.

### Protection de l'environnement

Recyclez les matières premières et les piles au lieu de les mettre au rebut. L'outil, les accessoires, l'emballage et les piles usagées doivent être triés en vue de participation à un programme de recyclage écologique conformément aux règlements en vigueur.

## Recherche de la cause des problèmes

### Erreurs – Causes et remèdes

Indicateur d'erreur sur l'écran d'affichage	Cause	Mesure corrective
 (avertissement jaune)	Mémoire interne presque pleine	Supprimez les fichiers de la mémoire interne ou insérez une carte Micro-SD 28 (Fig. 8).
 (avertissement rouge)	Mémoire interne pleine	Supprimez les fichiers de la mémoire interne ou insérez une carte Micro-SD 28 (Fig. 8).
	Erreur dans la mémoire interne	Redémarrez la caméra d'inspection. Si le problème persiste, contactez un centre de service après-vente Bosch.
 (avertissement jaune)	Carte Micro-SD presque pleine	Supprimez les fichiers de la carte Micro-SD 28 (Fig. 8).
 (avertissement rouge)	Carte Micro-SD pleine	Supprimez les fichiers de la carte Micro-SD 28 (Fig. 8).
	Erreur sur la carte micro-SD	Retirez la carte Micro-SD 28 (Fig. 8) et réinsérez-la. Vérifiez le fonctionnement de la carte Micro-SD 28 (Fig. 8) dans un autre appareil.







## Accessoires

Accessoires et attachements en option qui peuvent ou non être inclus dans le kit :

- Câble de caméra 1 600 A02 R6M de 1,5 m (4,9 pi) / 8,3 mm (0,32 po)
- Câble de caméra 1 600 A02 R6P de 3,5 m (11,5 pi) / 8,3 mm (0,32 po)
- Câble de caméra (caméra double) 1 600 A02 Z65 de 1,5 m (4,9 pi) / 8,3 mm (0,32 po)
- Câble de caméra 1 600 A02 Z66 de 1,5 m (4,9 pi) / 3,9 mm (0,15 po)

## Símbolos de seguridad

Las definiciones que aparecen a continuación describen el nivel de gravedad de cada palabra de aviso. Por favor, lea el manual y preste atención a estos símbolos.

	<p>Este es el símbolo de alerta de seguridad. Se utiliza para alertarle a usted de posibles peligros de lesiones corporales. Obedezca todos los mensajes de seguridad que sigan a este símbolo para evitar posibles lesiones o la muerte.</p>
	<p>PELIGRO indica una situación peligrosa que, si no se evita, causará la muerte o lesiones graves.</p>
	<p>ADVERTENCIA indica una situación peligrosa que, si no se evita, podría causar la muerte o lesiones graves.</p>
	<p>PRECAUCIÓN indica una situación peligrosa que, si no se evita, podría causar lesiones leves o moderadas.</p>

## Tabla de contenido

Normas generales de seguridad . . . . .	35	Mantenimiento y servicio . . . . .	48
Normas de seguridad para la cámara de inspección . . . . .	37	Mantenimiento y limpieza . . . . .	48
Aviso de precaución de la FCC . . . . .	37	Protección ambiental . . . . .	48
Industry Canada (IC) . . . . .	38	Resolución de problemas . . . . .	48
Uso previsto . . . . .	38	Errores: Causas y medidas correctivas . . . . .	48
Símbolos . . . . .	39	Accesorios . . . . .	49
Familiarización con su cámara de inspección GIC5-27C . . . . .	40		
Especificaciones . . . . .	41		
Ensamblaje . . . . .	42		
Fuente de alimentación . . . . .	42		
Ajuste del cable de la cámara . . . . .	43		
Retirada del cable de la cámara . . . . .	43		
Ajuste del espejo, el imán o el gancho . . . . .	43		
Utilización . . . . .	44		
Descripción del producto . . . . .	44		
Utilización del producto . . . . .	44		
Comienzo de la utilización . . . . .	45		
Menú principal . . . . .	45		
Almacenamiento/transferencia de las grabaciones . . . . .	46		
Consejos de trabajo . . . . .	47		

# Normas generales de seguridad

**⚠ ADVERTENCIA** Lea todas las advertencias de seguridad, instrucciones, ilustraciones y especificaciones suministradas con esta herramienta. Si no se siguen todas las instrucciones que se indican a continuación, es posible que el resultado sea descargas eléctricas, incendio y/o lesiones graves.

## GUARDE TODAS LAS ADVERTENCIAS E INSTRUCCIONES PARA REFERENCIA FUTURA

La palabra “herramienta” que se incluye en las advertencias se refiere a su herramienta alimentada por la red eléctrica (alámbrica) o su herramienta alimentada por baterías (inalámbrica).

### 1. Seguridad del área de trabajo

- a. **Mantenga el área de trabajo limpia y bien iluminada.** Las áreas desordenadas u oscuras invitan a que se produzcan accidentes.
- b. **No utilice la herramienta en atmósferas explosivas, como por ejemplo en presencia de líquidos, gases o polvos inflamables.** En la herramienta se pueden generar chispas que pueden incendiar el polvo o los vapores.
- c. **Mantenga alejados a los niños y a las personas que estén presentes mientras esté utilizando una herramienta eléctrica.** Las distracciones pueden hacerle perder el control de la herramienta.

### 2. Seguridad eléctrica

**⚠ ADVERTENCIA** Las baterías pueden explotar o tener fugas y causar lesiones o incendios. Para reducir este riesgo, siga siempre todas las instrucciones y advertencias que están en la etiqueta y en el paquete de las batería.

- a. **NO exponga la herramienta y la batería a la lluvia o condiciones húmedas.** La entrada de agua en la herramienta aumentará el riesgo de incendio y lesiones corporales.
- b. **NO haga cortocircuito en los terminales de las baterías.**
- c. **NO mezcle las químicas de las baterías.**
- d. **Deseche o recicle las baterías de acuerdo con el código local.**
- e. **NO deseche las baterías en un fuego.**
- f. **Mantenga las baterías fuera del alcance de los niños.**
- g. **Retire las baterías si el dispositivo no se va a usar durante varios meses.**
- h. **Retire las baterías de la herramienta cuando no la use durante períodos prolongados.** Cuando se almacenan por períodos prolongados, las baterías pueden corroerse y autodescargarse.

- i. **La herramienta está equipada con una interfaz de radio.** Se deberán respetar las restricciones operativas locales, p. ej., en aviones u hospitales.
- j. **Prevenga el arranque accidental.** Asegúrese de que el interruptor esté en la posición de apagado antes de insertar las baterías. Si se suministra corriente accidentalmente a una herramienta que tenga el interruptor en la posición de encendido se invita a que se produzcan accidentes.

### 3. Seguridad personal

- a. **No realice modificaciones a la herramienta ni a la batería.**
- b. **Manténgase alerta, fíjese en lo que está haciendo y use el sentido común cuando utilice una herramienta. No utilice una herramienta mientras esté cansado o bajo la influencia de drogas, alcohol o medicamentos.** Un momento de descuido mientras se utiliza una herramienta puede causar lesiones corporales graves o resultados de medición incorrectos.
- c. **Use equipo de seguridad. Use siempre protección de los ojos.** El equipo de seguridad, tal como una máscara antipolvo, zapatos de seguridad antideslizantes, casco o protección de la audición, utilizado para las condiciones apropiadas, reducirá las lesiones corporales.
- d. **Tenga precaución al utilizar herramientas en las proximidades de peligros eléctricos.**

### 4. Uso y cuidado

- a. **Use la herramienta correcta para la aplicación que vaya a realizar.** La herramienta correcta hará el trabajo mejor y de manera más segura.
- b. **No use la herramienta si el interruptor no la enciende y apaga.** Toda herramienta que no se pueda controlar con el interruptor es peligrosa y debe ser reparada.
- c. **Guarde la herramienta que no esté usando fuera del alcance de los niños y no deje que personas que no estén familiarizadas con la herramienta o con estas instrucciones utilicen la herramienta.**

CONSERVE ESTAS INSTRUCCIONES

## Normas generales de seguridad

Las herramientas son peligrosas en manos de usuarios que no hayan recibido capacitación.

- d. **Mantenga las herramientas.** Compruebe si hay piezas móviles desalineadas o atoradas, si hay piezas rotas y cualquier otra situación que pueda afectar al funcionamiento de la herramienta. Si la herramienta está dañada, haga que sea reparada antes de utilizarla. Muchos accidentes son causados por herramientas mantenidas deficientemente.
- e. **Utilice la herramienta, los accesorios, etc., de acuerdo con estas instrucciones y de la manera prevista para el tipo de herramienta en particular teniendo, en cuenta las condiciones de trabajo y el trabajo que se vaya a realizar.** El uso de la herramienta para operaciones distintas a aquéllas para las que fue diseñada podría causar una situación peligrosa.

---

### 5. Uso y cuidado de las herramientas alimentadas por baterías

- a. **Recargue las baterías solamente con el cargador especificado por el fabricante.** Un cargador que es adecuado para un tipo de paquete de batería puede crear un riesgo de incendio cuando se utiliza con otro paquete de batería.
- b. **Utilice la herramienta solamente con paquetes de batería designados específicamente.** El uso de cualquier otro paquete de batería puede crear un riesgo de lesiones e incendio.
- c. **Cuando el paquete de batería no se esté usando, manténgalo alejado de otros objetos metálicos, tales como sujetapapeles, monedas, llaves, clavos, tornillos u otros objetos metálicos pequeños que pueden hacer una conexión de un terminal a otro.** Si se cortocircuitan los terminales de la batería uno con otro, se pueden causar quemaduras o un incendio.
- d. **En condiciones abusivas, es posible que se eyecte líquido de la batería. Evite el contacto. Si se produce un contacto accidental, enjuáguese con agua.** Si el líquido entra en contacto con los ojos, obtenga además ayuda médica. El líquido que salga eyectado de la batería puede causar irritación o quemaduras.
- e. **No utilice un paquete de batería o una herramienta que hayan sido dañados o modificados.** Es posible que las baterías dañadas o modificadas exhiban un comportamiento impredecible que cause un incendio, una EXPLOSIÓN o riesgo de lesiones.

- f. **No exponga un paquete de batería o una herramienta a un fuego o una temperatura excesiva.** Es posible que la exposición a un fuego o una temperatura superior a 265 °F (130 °C) cause una explosión.
- g. **Siga todas las instrucciones de carga y no cargue el paquete de batería ni la herramienta fuera del intervalo de temperatura especificado en las instrucciones.** Es posible que realizar una carga incorrectamente o a temperaturas que estén fuera del intervalo especificado dañe la BATERÍA y aumente el riesgo de incendio.
- h. **Desconecte el paquete de batería de la herramienta antes de realizar cualquier ajuste, cambiar accesorios o almacenar la herramienta.** Dichas medidas preventivas de seguridad reducen el riesgo de arrancar la herramienta accidentalmente.
- i. **No modifique ni intente reparar la herramienta o el paquete de batería, excepto uso y cuidado.**

---

### 6. Servicio de ajustes y reparaciones

- a. **Haga que su herramienta reciba servicio de un técnico de reparaciones calificado, utilizando únicamente piezas de repuesto idénticas.** Esto garantizará que se mantenga la seguridad de la herramienta.
- b. **Desarrolle un programa de mantenimiento periódico para su herramienta. Cuando limpie una herramienta, tenga cuidado de no desarmar ninguna parte de la herramienta, ya que los cables internos se pueden descolocar o pellizcar, o se pueden montar incorrectamente.** Ciertos agentes de limpieza, tales como gasolina, tetracloruro de carbono, amoníaco, etc., pueden dañar las piezas de plástico.

## Normas de seguridad para la cámara de inspección

**⚠ ADVERTENCIA** Peligro de quemaduras químicas. Mantenga las baterías fuera del alcance de los niños.

**Este producto contiene una batería de litio tipo botón/moneda.** Si una batería de litio tipo botón/moneda nueva o usada se traga o entra en el cuerpo, puede causar quemaduras internas graves y puede provocar la muerte en tan poco tiempo como 2 horas. Cierre siempre firmemente por completo el compartimiento de las baterías. Si el compartimiento de las baterías no se cierra firmemente, deje de usar el producto, retire las baterías y mantenga el producto fuera del alcance de los niños. Si cree que es posible que alguien haya tragado baterías o puesto baterías dentro de cualquier parte del cuerpo, obtenga atención médica inmediata.

**Todas las baterías tipo moneda, incluso las baterías tipo moneda usadas, pueden causar lesiones.** Las baterías se deberán eliminar adecuadamente, lo cual incluye mantenerlas alejadas de los niños.

**Compruebe siempre el área de trabajo antes de comenzar una tarea. No deje que el cable entre en contacto con peligros eléctricos, químicos o móviles.** Desconecte los cortacircuitos a toda el área cuando sondee detrás de las paredes. Estas medidas preventivas reducirán el riesgo de explosión, descargas eléctricas y daños materiales.

**No utilice este dispositivo para inspección personal o uso médico de ninguna manera. Esta unidad no es un dispositivo médico.** El resultado de ese tipo de uso podría ser lesiones corporales graves.

**No coloque la cámara de inspección en ningún lugar que pueda contener piezas móviles.** Esto reduce el riesgo de lesiones por causa de un enredo.

**Utilice siempre equipo de protección personal apropiado mientras maneja y utiliza la cámara de inspección. El equipo de protección personal apropiado incluye siempre anteojos de seguridad y guante, y puede incluir equipo tal como guantes de látex o de goma, caretas completas, gafas, ropa**

**protectora, respiradores y calzado con punta de acero.** Los desagües y otras áreas pueden contener sustancias químicas, bacterias y otras sustancias que pueden ser tóxicas o infecciosas, producir quemaduras o causar otros problemas.

**Practique una buena higiene. Use agua jabonosa caliente para lavarse las manos y otras partes del cuerpo expuestas a los contenidos de un desagüe después de manejar o utilizar la cámara de inspección para inspeccionar desagües y otras áreas que puedan contener sustancias químicas o bacterias. No coma ni fume mientras esté utilizando o manejando la cámara de inspección.** Esto ayudará a evitar la contaminación con material tóxico o infeccioso.

**No utilice la cámara de inspección si el operador o el dispositivo están ubicados en agua.** La utilización de un dispositivo eléctrico mientras está en el agua aumenta el riesgo de descargas eléctricas.

**No utilice el cable para despejar atascos o mover obstrucciones.** Este dispositivo no es un limpiador de desagües.

**No sumerja el mango ni la unidad de visualización en agua. La cabeza de la cámara y el cable son resistentes al agua cuando la unidad está completamente ensamblada, pero la pantalla de video no lo es.** Dichas medidas reducen el riesgo de descargas eléctricas y daños.



**Mantenga los accesorios magnéticos alejados de implantes y otros dispositivos médicos, p. ej., marcapasos o bombas de insulina.** Los imanes ubicados en los accesorios generan un campo que puede alterar el funcionamiento de los implantes y los dispositivos médicos.

**Mantenga los accesorios magnéticos alejados de los medios de almacenamiento magnético de datos y los dispositivos magnéticamente sensibles.** El efecto de los imanes ubicados en los accesorios puede causar una pérdida irreversible de datos.

## Aviso de precaución de la FCC

**FCC** El fabricante no es responsable de la radiointerferencia causada por las modificaciones no autorizadas que se realicen en este equipo. Dichas modificaciones podrían anular la autoridad del usuario para utilizar el equipo.

Este dispositivo cumple con la Parte 15 de las Reglas de la FCC. El funcionamiento está sujeto a las dos condiciones siguientes:

1. Este dispositivo no puede causar interferencias nocivas y

## Aviso de precaución de la FCC

2. Este dispositivo debe aceptar cualquier interferencia recibida, incluyendo interferencia que pueda causar un funcionamiento no deseado.

**¡AVISO!** Este equipo ha sido sometido a pruebas y se ha comprobado que cumple con los límites para un dispositivo digital de Clase B, conforme a la parte 15 de las reglas de la FCC. Estos límites están diseñados para proporcionar protección razonable contra la interferencia perjudicial en una instalación residencial. Este equipo genera, usa y puede irradiar energía de radiofrecuencia y, si no se instala y utiliza de acuerdo con las instrucciones, puede causar interferencia perjudicial para las radiocomunicaciones. Para cumplir con los límites de exposición a radiación de RF de la FCC para exposición de la población general/exposición incontrolada, este dispositivo no debe captar ni funcionar en combinación con ninguna otra antena o transmisor. Sin embargo, no hay garantía de que no vaya a ocurrir interferencia en una instalación específica. Si este equipo causa interferencia perjudicial para la recepción de radio o televisión, lo cual se puede determinar apagando y encendiendo el equipo, se recomienda al usuario que intente corregir la interferencia tomando una o más de las medidas siguientes:

- Reoriente o reubique la antena receptora.
- Aumente la separación entre el equipo y el receptor.
- Conecte el equipo a un tomacorriente que esté en un circuito distinto al circuito al que el receptor esté conectado.
- Consulte al distribuidor o a un técnico experto en radio/TV para obtener ayuda.

Exposición a señales de radiofrecuencia (RF): El dispositivo inalámbrico es un radiotransmisor y radorreceptor. Está diseñado y fabricado para no exceder el límite de emisiones para la exposición a energía de radiofrecuencia (RF) establecido por el Ministerio de Salud (Canadá), Código de Seguridad 6. Estos límites son parte de las directrices exhaustivas y los niveles de energía de RF permitidos establecidos para la población general.

Para cumplir con los límites de exposición a radiación de RF de la FCC para la población general/exposición no controlada, este dispositivo no se debe colocar ni utilizar en combinación con ninguna otra antena o transmisor.

## Industry Canada (IC)

Este dispositivo cumple con los estándares RSS exentos de licencia de Industry Canada. Su utilización está sujeta a las dos condiciones siguientes:

1. Este dispositivo no podrá causar interferencia; y

2. Este dispositivo debe aceptar cualquier interferencia, incluyendo interferencia que pueda causar un funcionamiento no deseado del dispositivo.

## Uso previsto








La cámara de inspección digital es adecuada para inspeccionar áreas que son oscuras o de difícil acceso. También es adecuada para mover y retirar objetos pequeños y ligeros (p. ej., tornillos pequeños) después

de ajustar los accesorios suministrados en la cabeza de la cámara.

La cámara de inspección digital no se debe utilizar para propósitos médicos. Asimismo, no está diseñada para retirar bloqueos de tuberías ni instalar cables.

## Símbolos

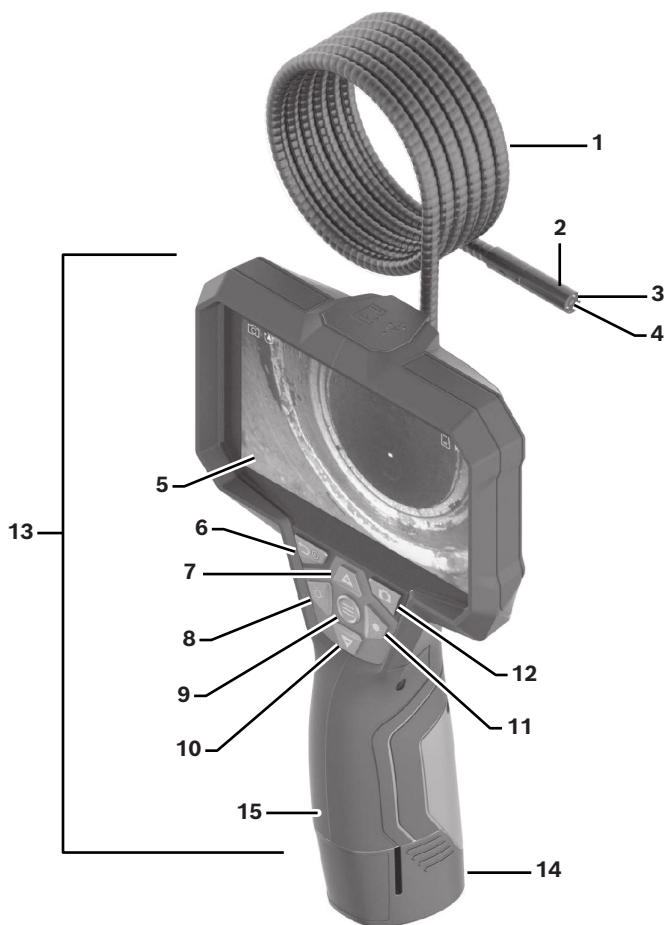
**Importante:** Es posible que se utilicen algunos de los siguientes símbolos en esta herramienta. Por favor, estúdielos y aprenda su significado. La interpretación correcta de estos símbolos le permitirá utilizar la herramienta mejor y de manera más segura.

Símbolo	Designación / explicación
V	Voltios (tension)
A	Amperios (corriente)
Hz	Hercios (frecuencia, ciclos por segundo)
W	Vatios (potencia)
lb	Libras (peso)
kg	Kilogramos (peso)
min	Minutos (tiempo)
	Construcción de Clase II (designa a herramientas de construcción con aislamiento doble)
	Terminal de puesta a tierra (terminal de conexión a tierra)
s	Segundos (tiempo)
	Designa un programa de reciclaje de baterías de ion Li.
	Alerta al usuario para que lea el manual.
	Alerta al usuario para que use protección ocular.
	Este símbolo indica que hay un campo magnético establecido.
	Este símbolo designa que la herramienta cumple con las Reglas de la FCC.

## Familiarización con su cámara de inspección GIC5-27C

**⚠ ADVERTENCIA** Retire el paquete de batería desmontable antes de hacer cualquier ensamblaje o ajuste, o cambiar accesorios. Dichas medidas preventivas de seguridad reducen el riesgo de arrancar accidentalmente la herramienta.

Fig. 1



- |   |                              |    |                                    |
|---|------------------------------|----|------------------------------------|
| 1 | Cable de la cámara           | 9  | Botón central                      |
| 2 | Cabeza de la cámara          | 10 | Botón hacia abajo                  |
| 3 | Luz de iluminación           | 11 | Botón derecho                      |
| 4 | Lente de la cámara           | 12 | Botón de grabación de fotos/videos |
| 5 | Pantalla                     | 13 | Dispositivo de mano                |
| 6 | Botón de ENCENDIDO y APAGADO | 14 | Batería recargable*                |
| 7 | Botón hacia arriba           | 15 | Compartimento de la batería        |
| 8 | Botón izquierdo              |    |                                    |

\* No incluida con el producto estándar. Puede encontrar una selección completa de accesorios en nuestra gama de accesorios.



## Especificaciones

<b>Número de modelo</b>	<b>GIC5-27C</b>
Número de artículo	3 601 B41 4..
Tamaño de la pantalla	5 pulgadas (127 mm)
Resolución de pantalla	1280px × 720px
Resolución de la cámara, archivos de fotos y videos	1280px × 720px
Formato de captura de pantalla	JPG
Formato de video	AVI
Velocidad de fotograma de video – Velocidad de fotograma de video sin indicación hacia arriba: – Con indicación hacia arriba:	20 fps 7fps
Número máx. de fotos en la memora interna	30
Campo de visión	75°
Distancia de enfoque	1,18-3,15 pulgadas (30-80 mm)
Intensidad luminosa máx. de la luz de iluminación en la cabeza de la cámara (a una distancia de 50 mm en un entorno oscuro)	200 lx
Tiempo de inmersión máx. para la cabeza/el cable de la cámara en diésel, aceite para motores, alcohol etílico, gasolina o agua salada (26,5 % de contenido de sal)	30 minutos
Lista de cargadores de batería – Baterías recargables (paquete de ion litio Bosch de 10,8 / 12 V máx.): – Cargadores:	BAT414 (2,0Ah), BAT420 (4,0Ah), GBA12V30 (3,0Ah), GBA12V60 (6,0Ah)  BC330, BC430, GAX1218V-30, GAL12V-20
Fuente de alimentación de reserva para ahorrar tiempo: – Batería tipo moneda: – Vida útil de la batería:	CR2450 (batería de litio de 3 V aproximadamente 3 años)
Tiempo de funcionamiento, aprox., con una batería recargable (de ion Li) [1, 2]:	6h
Peso de acuerdo con el procedimiento EPTA 01:2014 con batería recargable (de ion Li) [3]:	1,61-2,07 libras (0,73-0,94 kg)
Dimensiones (longitud × anchura × altura) [1]	9.52 x 5.51 x 2.60 pulgadas (242 × 140 × 66 mm)
Clasificación de protección del dispositivo de mano (excluyendo el compartimiento de la batería)	IP54
Clasificación de protección de la cabeza de la cámara y el cable de la cámara	IP67
Temperatura ambiente recomendada durante la carga	32 °F a +95 °F (0 °C a +35 °C)
Temperatura ambiente permitida durante la utilización	14 °F a 122 °F (-10 °C a +50 °C)
Temperatura ambiente permitida durante el almacenamiento	-4 °F a 158 °F (-20 °C a +70 °C)

### Notas:

1. Con paquete de batería BAT414 (2,0 Ah).
2. Con pantalla de cámara, luminosidad promedio de la pantalla, luz de iluminación con una luminosidad del 50%.
3. Depende de la batería que se esté usando.

## Fuente de alimentación

La herramienta se puede operar utilizando una batería recargable de ion Li Bosch.

### Utilización con un paquete de batería

**⚠ ADVERTENCIA** Utilice únicamente los paquetes de batería de ion litio recargables Bosch incluidos en la sección de especificaciones de este manual. Es posible que la utilización de otros paquetes de batería aumente el riesgo de incendio, lesiones corporales y daños materiales.

**⚠ ADVERTENCIA** Retire las baterías de la herramienta cuando no la esté utilizando durante períodos prolongados. Cuando se almacenan durante períodos prolongados, las baterías se pueden corroer y autodescargar.

**Nota:** El paquete de batería se suministra parcialmente cargado. Para asegurarse de utilizar la capacidad completa del paquete de batería, cargue completamente dicho paquete en el cargador de baterías antes de utilizarlo por primera vez.

**⚠ ADVERTENCIA** Utilice únicamente los cargadores Bosch incluidos en la sección de especificaciones de este manual. Es posible que la utilización de otros cargadores aumente el riesgo de incendio, lesiones corporales y daños materiales.

El paquete de batería de ion litio se puede cargar en cualquier momento sin reducir su vida de servicio. La interrupción del procedimiento de carga no daña el paquete de batería.

La batería de ion litio está protegida contra la descarga profunda por la protección electrónica de celda (ECP). Un circuito protector apaga el nivel láser cuando la batería se agota.

- Después del apagado automático de la herramienta, no continúe presionando el botón de encendido y apagado. La batería puede resultar dañada.

### Inserción de un paquete de batería

(Fig. 2)

**⚠ ADVERTENCIA** Si las lengüetas de liberación de la batería están agrietadas o dañadas de alguna otra manera, no inserte la batería en la herramienta. La batería se puede caer durante la utilización.

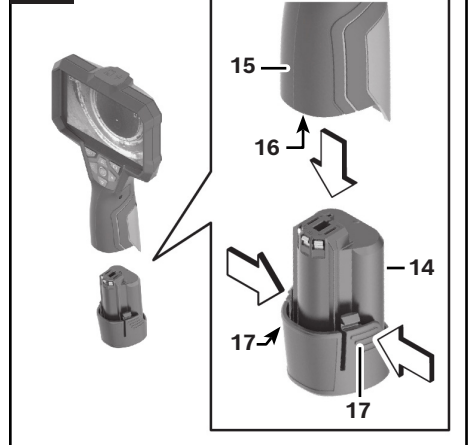
Para insertar la batería cargada **14**, deslícela hacia el interior del puerto para la batería **16** hasta que note que queda fija en la posición correcta. No utilice fuerza.

### Retirada de un paquete de batería

(Fig. 2)

Para extraer la batería **14**, presione las lengüetas de liberación de la batería **17** y jale la batería **14** hacia fuera del compartimiento de la batería **15**. No use fuerza.

Fig. 2

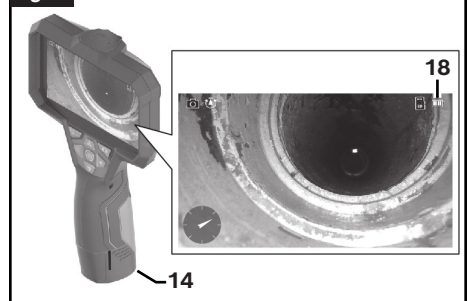


### Indicador de carga de la batería





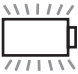
(Fig. 3)

El indicador de carga de la batería **18** ubicado en la pantalla **5** muestra el estado de carga de la batería **14**.

Fig. 3



## Ensamblaje

Indicador	Carga
	100%
	75%
	50%
	25%
	Parpadea 3 veces: quedan 15 minutos o menos.

### Recomendaciones para un manejo óptimo de la batería

Proteja la batería contra la humedad y el agua.

Almacene la batería solo dentro de un intervalo de temperatura de -4 a 158 °F (-20 a +70 °C). No deje la batería en su automóvil durante el verano, por ejemplo.

Un tiempo de funcionamiento significativamente reducido después de realizar la carga indica que la batería se ha deteriorado y debe ser reemplazada.

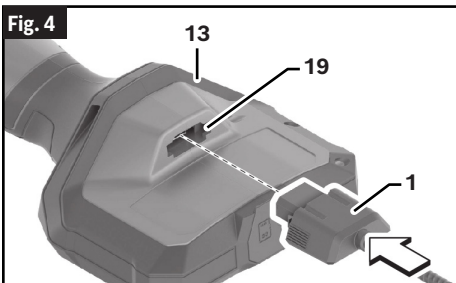
Siga las instrucciones sobre la eliminación correcta.

### Ajuste del cable de la cámara

(Fig. 4)

Para utilizar la cámara de inspección, el cable de la cámara **1** debe estar instalado en el dispositivo de mano **13**.

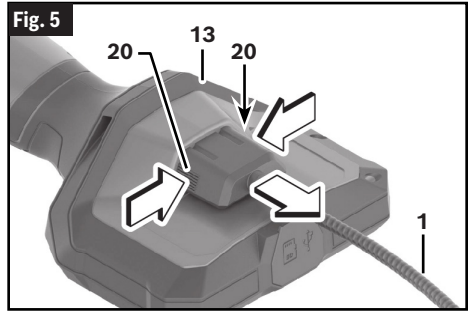
Empuje el conector del cable de la cámara **1** sobre la conexión de la cámara **19** en la posición correcta hasta que se acople con un clic en dicha posición.



### Retirada del cable de la cámara

(Fig. 5)

Para retirar el cable de la cámara **1**, presione el mecanismo de fijación del cable **20** y jale el conector hacia fuera del dispositivo de mano **13**.



### Ajuste del espejo, el imán o el gancho

(Fig. 6)

El espejo **21**, el gancho **22** o el imán **23** se pueden acoplar en la cabeza de la cámara **2** como accesorios.

Empuje uno de los tres accesorios por completo sobre la cabeza de la cámara **2**.

**Nota:** El imán **23** y el gancho **22** solo son adecuados para mover y retirar objetos sueltos, pequeños y ligeros. La cámara de inspección o el accesorio pueden resultar dañados si se jalan con demasiada fuerza.

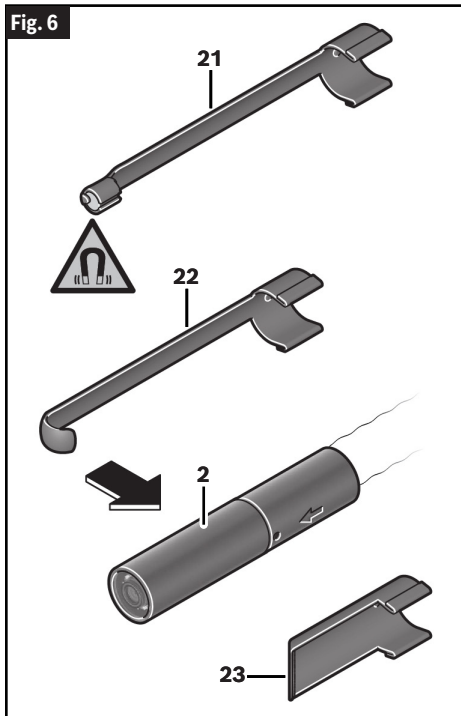
# Utilización

## Descripción del producto

(Fig. 1, Fig. 6)

El producto es un dispositivo de inspección óptica de mano diseñado para ofrecer al usuario la capacidad de ver objetos ubicados en lugares que de lo contrario serían inaccesibles. La imagen se muestra a todo color en la pantalla de visualización (la pantalla 5).

Este dispositivo está equipado con una fuente de captación de imagen e iluminación que cuenta con ajuste de luz LED, lo cual permite al usuario optimizar las condiciones de iluminación para la situación de visualización. Estas características aseguran una inspección visual detallada y precisa. El espejo 21, el gancho 22 y el imán 23 accesorios se pueden instalar en la cabeza de la cámara 2 para brindar flexibilidad de aplicación.



## Utilización del producto

(Fig. 1)

Para encender la unidad, sostenga el visor con la pantalla de LCD orientada hacia usted. Presione el interruptor de ENCENDIDO y APAGADO para encender la unidad.

Inserte suavemente la cabeza y el cable de la cámara en el entorno que contenga el objeto que se vaya a visualizar. La intensidad de la iluminación se debe ajustar para dar la mejor imagen en la pantalla de visualización. En algunas circunstancias menos es lo mejor (especialmente si el objeto es altamente reflectante).

Proteja el dispositivo de mano 13 y la batería recargable 14 contra la luz solar directa. Proteja la batería recargable 14 contra la humedad. El cable de la cámara 1 y la cabeza de la cámara 2 son herméticos al agua si se ensamblan correctamente; el dispositivo de mano 13 es a prueba de salpicaduras. Sin embargo, la batería recargable 14 no está protegida contra el agua. Si entra en contacto con agua, hay un riesgo de descargas eléctricas o daños.

No utilice la cámara de inspección si el lente ubicado en la cabeza de la cámara 2 se ha empañado. Encienda la cámara de inspección solo si la humedad se ha evaporado. De lo contrario, es posible que la cámara de inspección resulte dañada.

No utilice el cable ni la cabeza de la cámara para modificar los alrededores, despejar caminos o áreas obstruidas, o como cualquier otra cosa que no sea un dispositivo de inspección.

La pantalla de mano no es resistente al agua. La cabeza de la cámara y su cubierta son resistentes al agua, pero no son a prueba de ácidos ni de fuego. Con el tiempo, los productos a base de petróleo arruinarán la cubierta protectora de plástico de la cabeza de la cámara. Evite sumergir la cabeza de la cámara en lugares corrosivos y aceitosos.

No inserte la cabeza ni el cable de la cámara en ningún espacio que contenga cableado eléctrico con corriente o piezas móviles.

No utilice este dispositivo para inspecciones médicas. Esto no es un dispositivo médico y se podrían producir lesiones corporales.

La luz de iluminación 3 se puede poner caliente durante su utilización. Para evitar quemaduras, no toque la luz.

No someta la cámara de inspección a temperaturas extremas o variaciones extremas de temperatura. Por ejemplo, no la deje en un automóvil durante períodos de tiempo prolongados. En caso de grandes variaciones de temperatura, deje que la cámara de inspección se ajuste a la temperatura ambiente antes de ponerla en funcionamiento.

## Comienzo de la utilización

### Encendido y apagado

(Fig. 1)

Para **encender** la cámara de inspección, presione el botón de ENCENDIDO y APAGADO **6** o el botón central **9**.

**Nota:** Si el cable de la cámara **1** no está colocado al encender la cámara, la pantalla **5** mostrará un mensaje de error.

Para **apagar** la cámara de inspección, presione el botón de ENCENDIDO y APAGADO **6** hasta que la pantalla se apague.

Si no se presiona ningún botón de la cámara de inspección durante cierto tiempo, la cámara de inspección se apagará automáticamente a sí misma para preservar la vida útil de la batería. Usted puede ajustar el tiempo de apagado en el menú principal.

### Regulación de la luz de iluminación de la cabeza de la cámara

(Fig. 1)

Para regular la luz de iluminación **3**, presione el botón izquierdo **8** o el botón derecho **11** hasta que alcance la luminosidad requerida o la luz de iluminación se haya apagado.

- **No mire directamente a la luz de iluminación 3 y no dirija la luz 3 hacia otras personas.** La luz puede cegar los ojos.

### Acercamiento o alejamiento de la imagen de la pantalla

(Fig. 1)

Para ajustar el nivel de aumento de la pantalla **5**, presione el botón hacia arriba **7** o el botón hacia abajo **10** hasta que se alcance el nivel de aumento deseado.

## Menú principal


(Fig. 1)

Para acceder al **<Menú principal>**, presione el botón central **9**.

### Navegación por el menú

(Fig. 1)

- Para desplazarse por un menú, presione el botón hacia arriba **7** o el botón hacia abajo **10**.
- Para cambiar a un submenú, presione el botón central **9** o el botón derecho **11**.

- Para confirmar una opción de menú seleccionada, presione el botón central **9**.
- Para cambiar a una función con encendido o apagado virtual , presione el botón central **9**, el botón derecho **11** o el botón izquierdo **8**. Esto almacenará el ajuste.
- Para regresar al menú anterior de nivel más alto, presione brevemente el botón de ENCENDIDO y APAGADO **6**.
- Para salir del menú principal y regresar a la pantalla de la cámara, presione brevemente el botón de ENCENDIDO y APAGADO **6**.

### Opciones de menú

(Fig. 1, Fig. 6, Fig. 7, Fig. 8)

- **<Indicación hacia arriba>**: Enciende o apaga la función.

Cuando la función de indicación hacia arriba esté encendida, se mostrará el indicador de estado de la indicación hacia arriba **25** y la flecha del indicador de dirección de la indicación hacia arriba **26** mostrará donde es "arriba" en la imagen.

**Nota:** La función está limitada si un espejo **21** está instalado y/con un cable de cámara **1** alineado verticalmente.

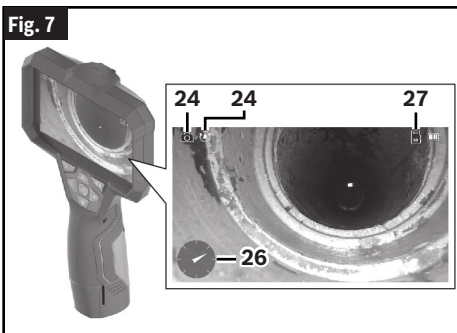
- **<Galería>**: Aquí es donde se puede acceder a las fotos y los videos grabados.

Usted puede seleccionar el archivo requerido basándose en su fecha utilizando el botón hacia abajo **10** o el botón hacia arriba **7**.

Presione el botón derecho **11** o el botón central **9** para ver una previsualización de la foto o el video seleccionado.

Para abrir el archivo seleccionado, presione el botón central **9**.

**Nota:** Si hay una tarjeta Micro-SD **28** insertada en la ranura para tarjetas Micro-SD **29** en el dispositivo



de mano **13**, solo se muestran los archivos almacenados en esta tarjeta Micro-SD **28**. Para abrir fotos del almacenamiento interno, usted debe primero sacar la tarjeta Micro-SD **28** de la ranura para tarjetas Micro-SD **29** debajo de la aleta superior **30**.

- **<Modo de cámara>**: Escoja entre **<Foto>** y **<Video>** para grabaciones.
- **<Luminosidad de la pantalla>**: Ajuste la luminosidad requerida para la pantalla.
- **<Color>**: Cambie entre la visualización en color y la visualización en blanco/negro de la pantalla.
- **<Ajustes del dispositivo>**
  - <Fecha y hora>**: Usted puede ajustar la fecha y la hora para almacenar fotos o videos y seleccionar el formato de fecha y hora.

**Nota:** Si la fecha y la hora ya no se pueden almacenar, la batería tipo moneda incorporada está agotada.

Contacte a un centro de servicio posventa de Bosch autorizado si esto sucede.

**<Idioma>**: Seleccione el idioma que se utiliza en la pantalla.

**<Apagar después de...>**: Seleccione el intervalo de tiempo después del cual la cámara de inspección se apagará automáticamente si no se presiona ningún botón.

- **<Información del dispositivo>**: Aquí encontrará información sobre el dispositivo, tal como la versión de software instalada e información legal.
- **<Reajuste de fábrica>**: Usted puede restablecer todas las opciones de menú a la configuración de fábrica. Esto también borra de manera simultánea y permanente todos los archivos almacenados.

## Almacenamiento/transferencia de las grabaciones

### Toma de fotos/videos

(Fig. 1, Fig. 8)

Si hay una tarjeta Micro-SD **28** insertada en la ranura para tarjetas Micro-SD **29**, las fotos y los videos se almacenan en la tarjeta.

Si no hay ninguna tarjeta Micro-SD **28** presente, las fotos se guardan en el almacenamiento interno de la cámara de inspección y no es posible tomar videos.

**Modo de foto:** Presione el botón de grabación de fotos/videos **12** para tomar una foto de la visualización actual de la pantalla.

**Modo de video:** Para comenzar a filmar un video, presione el botón de grabación de fotos/videos **12**. El símbolo de modo de grabación **24** se mostrará en la pantalla **5**.

Para detener la grabación, presione de nuevo el botón de grabación de fotos/videos **12** o el botón central **9**.

Usted puede cambiar entre el modo de foto y el modo de video en el **<Menú principal>**.

### Generalidades sobre la transferencia de datos

(Fig. 8, Fig. 9)

- Transferencia de archivos de fotos **del almacenamiento interno a la tarjeta Micro-SD 28**: Cuando haya una tarjeta Micro-SD **28** insertada en la ranura para tarjetas Micro-SD **29**, aparecerá una solicitud en la pantalla, preguntando si los datos almacenados en el almacenamiento interno de la cámara de inspección se deberán transferir a la tarjeta Micro-SD **28**.
- Transferencia de archivos **desde el almacenamiento interno a través del USB Tipo-C®**: La transferencia solo es posible si no hay una tarjeta Micro-SD **28** insertada en la cámara de inspección.
- Transferencia de archivos **desde la tarjeta Micro-SD 28**: Usted puede transferir archivos desde la tarjeta

Fig. 8

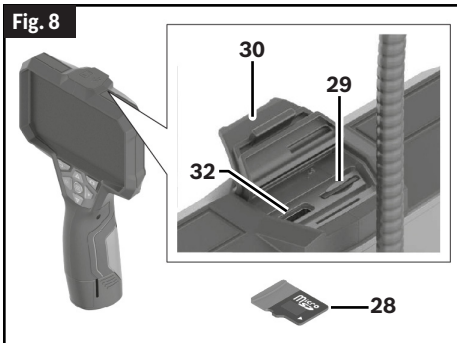
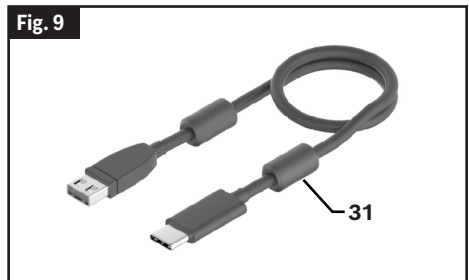


Fig. 9



Micro-SD **28** ya sea a través de un cable USB Tipo-C® **31\*** o sacando la tarjeta Micro-SD **28** e insertándola en otro dispositivo.

\* USB Tipo-C® y USB-C® son marcas registradas de USB Implementers Forum.

### ***Inserción de la tarjeta Micro-SD***

(Fig. 7, Fig. 8)

Abra la aleta superior **30** y empuje la tarjeta Micro-SD **28** completamente hacia dentro de la ranura para tarjetas Micro-SD **29**, prestando atención a la orientación correcta. El indicador de estado de la tarjeta Micro-SD **27** aparecerá en la pantalla **5**. Cierre de nuevo cuidadosamente la aleta superior **30**.

### ***Transferencia de datos a través de la interfaz USB Tipo-C®***

(Fig. 8, Fig. 9)

Encienda la cámara de inspección para transferir datos a través de la interfaz USB Tipo-C®. Abra la aleta superior **30**. Conecte el puerto USB Tipo-C® **32** a su PC a través del cable USB Tipo-C® **31\***.

\* USB Tipo-C® y USB-C® son marcas registradas de USB Implementers Forum.

Abra el navegador de archivos de su PC y seleccione la unidad **Bosch\_GIC**. Los archivos almacenados se pueden copiar de la memoria interna o de la tarjeta Micro-SD **28** de la cámara de inspección, trasladar a su PC o borrar.

En cuanto haya completado la operación requerida, desconecte la unidad siguiendo el procedimiento estándar.

**Nota:** Desconecte siempre primero la tarjeta Micro-SD **28** del sistema operativo del PC (expulse la unidad), ya que si no lo hace es posible que se dañe la memoria interna de la cámara de inspección.

Luego, apague la cámara de inspección. Retire el cable USB Tipo-C® **31** y cierre la aleta superior **30** para tener protección contra el polvo y las salpicaduras de agua.

**Nota:** Utilice el puerto USB Tipo-C® **32** solo para conectar la cámara de inspección a un PC. Es posible que la cámara de inspección resulte dañada si se conecta a otros dispositivos.

**Nota:** El puerto USB Tipo-C® **32** solo se puede usar para transferencia de datos. Las baterías recargables u otros dispositivos no se pueden cargar a través de esta interfaz.

### **Consejos de trabajo**

(Fig. 1)

Compruebe el entorno que desea inspeccionar, prestando atención particular a los obstáculos o las áreas peligrosas.

Curve el cable de la cámara **1** de manera que la cabeza de la cámara **2** se pueda introducir fácilmente en el entorno que se vaya a inspeccionar. Introduzca cuidadosamente el cable de la cámara **1**.

Ajuste la luminosidad de la luz de iluminación de la cámara **3** para que la imagen sea fácilmente reconocible.

Cuando fotografíe objetos altamente reflectantes, por ejemplo, puede lograr mejores resultados con poca luz o utilizando un ajuste de contraste de blanco y negro.

Si los objetos que se van a inspeccionar parecen borrosos, reduzca o aumente la distancia entre la cabeza de la cámara **2** y el objeto.

## Mantenimiento y servicio

### Mantenimiento y limpieza

(Fig. 1)

**⚠ ADVERTENCIA** Compruebe la herramienta cada vez antes de usarla.

En el caso de daños visibles o componentes flojos dentro de la herramienta, el funcionamiento seguro ya no se puede garantizar.

Mantenga la herramienta limpia en todo momento. Limpie la cámara de inspección y todos los accesorios de manera particularmente minuciosa después de haber trabajado en áreas con sustancias perjudiciales para la salud.

Elimine toda la suciedad usando un paño suave y húmedo. No utilice detergentes ni solventes.

Limpie el lente de la cámara **4** en particular de manera periódica y asegúrese de comprobar si tiene pelusa.

No sumerja la herramienta en agua ni otros líquidos.

Si la herramienta fallara a pesar del cuidado tomado en los procedimientos de fabricación y comprobación, la reparación debe ser realizada por un centro de servicio autorizado para herramientas eléctricas Bosch. No abra usted mismo la herramienta.





En toda la correspondencia y todos los pedidos de piezas de repuesto, sírvase incluir siempre el número de artículo de 10 dígitos dado en la placa de tipo de la herramienta.

### Protección ambiental

Recicle las materias primas y las baterías en lugar de desecharlas como desperdicios. La unidad, los accesorios, el embalaje y las baterías usadas se deben organizar por separado para su reciclaje de acuerdo con los reglamentos más recientes.

## Resolución de problemas

### Errores: Causas y medidas correctivas

Indicador de error en la pantalla	Causa	Medida correctiva
 (advertencia amarilla)	Memoria interna casi llena	Borre los archivos de la memoria interna o inserte una tarjeta Micro-SD <b>28</b> (Fig. 8).
 (advertencia roja)	Memoria interna llena	Borre los archivos de la memoria interna o inserte una tarjeta Micro-SD <b>28</b> (Fig. 8).
	Error en la memoria interna	Rearranque la cámara de inspección. Si el problema persiste, contacte a un centro de servicio posventa de Bosch autorizado.
 (advertencia amarilla)	Tarjeta Micro-SD casi llena	Borre los archivos de la tarjeta Micro-SD <b>28</b> (Fig. 8).
 (advertencia roja)	Tarjeta Micro-SD llena	Borre los archivos de la tarjeta Micro-SD <b>28</b> (Fig. 8).
	Error en la tarjeta micro-SD	Saque la tarjeta Micro-SD <b>28</b> (Fig. 8) e insértela de nuevo. Compruebe la tarjeta Micro-SD <b>26</b> (Fig. 8) en un dispositivo diferente.



## Accesorios

Accesorios y aditamentos opcionales que puede estar o no estar incluidos en el kit:

- Cable de la cámara 1 600 A02 R6M 4,9 pies (1,5 m) / 0,32 pulgadas (8,3 mm)
- Cable de la cámara 1 600 A02 R6P 11,5 pies (3,5 m) / 0,32 pulgadas 8,3 mm
- Cable de la cámara (Cámara dual) 1 600 A02 Z65 4,9 pies (1,5 m) / 0,32 pulgadas (8,3 mm)
- Cable de la cámara 1 600 A02 Z66 4,9 pies (1,5 m) / 0,15 pulgadas (3,9 mm)

This page was intentionally left blank  
Cette page a été laissée vierge intentionnellement.  
Esta página se dejó intencionalmente en blanco.

This page was intentionally left blank  
Cette page a été laissée vierge intentionnellement.  
Esta página se dejó intencionalmente en blanco.

### LIMITED WARRANTY

For details on the terms of the limited warranty for this product, go to <https://rb-pt.io/PowerToolWarranty> or call 1-877-BOSCH99.

### GARANTIE LIMITÉE

Pour tous détails sur les conditions de la garantie limitée pour ce produit, allez sur le site <https://rb-pt.io/PowerToolWarranty> ou téléphonez au 1-877-BOSCH99.

### GARANTÍA LIMITADA

Para obtener detalles sobre los términos de la garantía limitada de este producto, visite <https://rb-pt.io/PowerToolWarranty> o llame al 1-877-BOSCH99.



# BOSCH

© Robert Bosch Tool Corporation  
1800 W. Central Road  
Mt. Prospect, IL 60056-2230  
1605A00233 08/2023



1 6 0 5 A 0 0 2 3 3