

IMPORTANT
Read Before Using

IMPORTANT
Lire avant usage

IMPORTANTE
Leer antes de usar



Operating / Safety Instructions
Consignes d'utilisation / de sécurité
Instrucciones de funcionamiento y seguridad



GTH18V-18M



BOSCH

Call Toll Free for Consumer Information & Service Locations

Pour obtenir des informations et les adresses de nos centres de service après-vente, appelez ce numéro gratuit

Llame gratis para obtener información para el consumidor y ubicaciones de servicio

1-877-BOSCH99 (1-877-267-2499) www.boschtools.com

For English Version
See page 2

Version française
Voir page 25

Versión en español
Ver la página 49

Safety Symbols

The definitions below describe the level of severity for each signal word.
Please read the manual and pay attention to these symbols.





	This is the safety alert symbol. It is used to alert you to potential personal injury hazards. Obey all safety messages that follow this symbol to avoid possible injury or death.
	DANGER indicates a hazardous situation which, if not avoided, will result in death or serious injury.
	WARNING indicates a hazardous situation which, if not avoided, could result in death or serious injury.
	CAUTION indicates a hazardous situation which, if not avoided, could result in minor or moderate injury.

Table of Contents

General Power Tool Safety Warnings 3	Maintenance 21
Cordless Stapler Safety Warning 5	General Maintenance 21
Additional Safety Warnings 5	Service 21
Disposal. 7	Cleaning. 21
Intended Use 7	Repairs. 21
Symbols. 8	Troubleshooting. 22
Getting to Know Your GTH18V-18M	Jam Clearing 22
Narrow Crown Stapler 9	
Specifications 10	
Fastener Selection 11	
Assembly 12	
Inserting and Removing	
the Battery Pack 12	
Utility Hook 12	
No-Mar Pad 13	
Operation 14	
Daily Inspection and Testing. 14	
Loading and Unloading	
the Magazine. 14	
Dry Fire Lock Out 16	
On/Off Button 16	
User Interface. 17	
Depth of Drive Adjustment 18	
Built-in Work Light 18	
Stapler Actuation 18	

General Power Tool Safety Warnings

⚠ WARNING Read all safety warnings, instructions, illustrations and specifications provided with this power tool. Failure to follow all instructions listed below may result in electric shock, fire and/or serious injury.

SAVE ALL WARNINGS AND INSTRUCTIONS FOR FUTURE REFERENCE.

The term "power tool" in the warnings refers to your mains-operated (corded) power tool or battery operated (cordless) power tool

1. Work area safety

- a. **Keep work area clean and well lit.** Cluttered or dark areas invite accidents.
- b. **Do not operate power tools in explosive atmospheres, such as in the presence of flammable liquids, gases or dust.** Power tools create sparks which may ignite the dust or fumes.
- c. **Keep children and bystanders away while operating a power tool.** Distractions can cause you to lose control.

2. Electrical safety

- a. **Power tool plugs must match the outlet. Never modify the plug in any way. Do not use any adapter plugs with earthed (grounded) power tools.** Unmodified plugs and matching outlets will reduce risk of electric shock.
- b. **Avoid body contact with earthed or grounded surfaces, such as pipes, radiators, ranges and refrigerators.** There is an increased risk of electric shock if your body is earthed or grounded.
- c. **Do not expose power tools to rain or wet conditions.** Water entering a power tool will increase the risk of electric shock.
- d. **Do not abuse the cord. Never use the cord for carrying, pulling or unplugging the power tool. Keep cord away from heat, oil, sharp edges or moving parts.** Damaged or entangled cords increase the risk of electric shock.
- e. **When operating a power tool outdoors, use an extension cord suitable for outdoor use.** Use of a cord suitable for outdoor use reduces the risk of electric shock.
- f. **If operating a power tool in a damp location is unavoidable, use a Ground**

Fault Circuit Interrupter (GFCI) protected supply. Use of a GFCI reduces the risk of electric shock.

3. Personal safety

- a. **Stay alert, watch what you are doing and use common sense when operating a power tool. Do not use a power tool while you are tired or under the influence of drugs, alcohol or medication.** A moment of inattention while operating power tools may result in serious personal injury.
- b. **Use personal protective equipment. Always wear eye protection.** Protective equipment such as a dust mask, non-skid safety shoes, hard hat or hearing protection used for appropriate conditions will reduce personal injuries.
- c. **Prevent unintentional starting. Ensure the switch is in the off-position before connecting to power source and/or battery pack, picking up or carrying the tool.** Carrying power tools with your finger on the switch or energizing power tools that have the switch on invites accidents.
- d. **Remove any adjusting key or wrench before turning the power tool on.** A wrench or a key left attached to a rotating part of the power tool may result in personal injury.
- e. **Do not overreach. Keep proper footing and balance at all times.** This enables better control of the power tool in unexpected situations.
- f. **Dress properly. Do not wear loose clothing or jewelry. Keep your hair and clothing away from moving parts.** Loose clothes, jewelry or long hair can be caught in moving parts.
- g. **If devices are provided for the connection of dust extraction and collection**

General Power Tool Safety Warnings

facilities, ensure these are connected and properly used. Use of dust collection can reduce dust-related hazards.

- h. **Do not let familiarity gained from frequent use of tools allow you to become complacent and ignore tool safety principles.** A careless action can cause severe injury within a fraction of a second.

4. Power tool use and care

- a. **Do not force the power tool. Use the correct power tool for your application.** The correct power tool will do the job better and safer at the rate for which it was designed.
- b. **Do not use the power tool if the switch does not turn it on and off.** Any power tool that cannot be controlled with the switch is dangerous and must be repaired.
- c. **Disconnect the plug from the power source and/or remove the battery pack, if detachable, from the power tool before making any adjustments, changing accessories, or storing power tools.** Such preventive safety measures reduce the risk of starting the power tool accidentally.
- d. **Store idle power tools out of the reach of children and do not allow persons unfamiliar with the power tool or these instructions to operate the power tool.** Power tools are dangerous in the hands of untrained users.
- e. **Maintain power tools and accessories. Check for misalignment or binding of moving parts, breakage of parts and any other condition that may affect the power tool's operation. If damaged, have the power tool repaired before use.** Many accidents are caused by poorly maintained power tools.
- f. **Keep cutting tools sharp and clean.** Properly maintained cutting tools with sharp cutting edges are less likely to bind and are easier to control.
- g. **Use the power tool, accessories and tool bits etc. in accordance with these instructions, taking into account the working conditions and the work to be**

performed. Use of the power tool for operations different from those intended could result in a hazardous situation.

- h. **Keep handles and grasping surfaces dry, clean and free from oil and grease.** Slippery handles and grasping surfaces do not allow for safe handling and control of the tool in unexpected situations.

5. Battery tool use and care

- a. **Recharge only with the charger specified by the manufacturer.** A charger that is suitable for one type of battery pack may create a risk of fire when used with another battery pack.
- b. **Use power tools only with specifically designated battery packs.** Use of any other battery packs may create a risk of injury and fire.
- c. **When battery pack is not in use, keep it away from other metal objects, like paper clips, coins, keys, nails, screws or other small metal objects, that can make a connection from one terminal to another.** Shorting the battery terminals together may cause burns or a fire.
- d. **Under abusive conditions, liquid may be ejected from the battery; avoid contact. If contact accidentally occurs, flush with water. If liquid contacts eyes, additionally seek medical help.** Liquid ejected from the battery may cause irritation or burns.
- e. **Do not use a battery pack or tool that is damaged or modified.** Damaged or modified batteries may exhibit unpredictable behavior resulting in fire, EXPLOSION or risk of injury.
- f. **Do not expose a battery pack or tool to fire or excessive temperature.** Exposure to fire or temperature above 265°F (130°C) may cause explosion.
- g. **Follow all charging instructions and do not charge the battery pack or tool outside the temperature range specified in the instructions.** Charging improperly or at temperatures outside the specified range may damage the battery and increase the risk of fire.

General Power Tool Safety Warnings

6. Service

a. Have your power tool serviced by a qualified repair person using only identical replacement parts. This will ensure that the safety of the power tool is maintained.

b. Never service damaged battery packs. Service of battery packs should only be performed by the manufacturer or authorized service providers.

Cordless Stapler Safety Warning

a. Always assume that the tool contains fasteners. Careless handling of the tool can result in unexpected firing of fasteners and personal injury.

b. Do not point the tool towards yourself or anyone nearby. Unexpected triggering will discharge the fastener causing an injury.

c. Do not actuate the tool unless the tool is placed firmly against the workpiece. If the tool is not in contact with the workpiece, the fastener may be deflected away from your target.

d. Disconnect the tool from the power source when the fastener jams in the tool. While removing a jammed fastener,

the stapler may be accidentally activated if it is plugged in.

e. Use caution while removing a jammed fastener. The mechanism may be under compression and the fastener may be forcefully discharged while attempting to free a jammed condition.

f. Do not use this tacker for fastening electrical cables. It is not designed for electric cable installation and may damage the insulation of electric cables thereby causing electric shock or fire hazards.

Additional Safety Warnings

Do not fire fasteners into walls or floors without assuring the area on the opposite side is clear. A fastener could travel through the work surface, causing property damage or injury.

Do not drive fasteners into walls, floors, or other work areas without knowing what may be damaged by the driven fastener. Fasteners driven into live electrical wires, plumbing, gas piping, or other types of obstructions can result in electrocution, explosion, personal injury and/or property damage.

Hold the power tool by identified insulated gripping surfaces when performing an operation where the fastener may contact hidden wiring. Fasteners contacting a “live” wire may make exposed metal parts of the

power tool “live” and result in electric shock or electrocution.

Do not tamper with, remove, or cause stapler operating controls to become inoperable. Missing or improperly operating stapler controls can cause unexpected actuation and personal injury.

Never keep a finger on the trigger when not driving fasteners or carrying the tool. Carry the tool only by the handle. Keeping a finger on the trigger when carrying the tool, or when not driving fasteners can result in unintentional triggering and personal injury.

When loading fasteners ensure that the fastener heads align with the nosepiece of the tool. If fasteners are not aligned with the nosepiece, tool may jam or misfire causing property damage or injury.

Additional Safety Warnings

Use only the fasteners meeting the criteria listed in the “Specification” section of this manual. Fasteners not identified for use with this tool can cause the tool to malfunction and result in the risk of injury and/or tool damage.

Keep hands and feet at least 8 inches (200mm) away from the nosepiece of the tool during use. Fasteners may deflect and cause property damage or personal injury.

Do not drive a fastener on top of another fastener. This could cause the fastener to be deflected or the tool to react in an unexpected manner causing injury.

Do not engage in horseplay. The discharged fasteners are projectiles capable of causing serious injury.

Never actuate the stapler unless it is perpendicular to the workpiece surface and the workpiece surface is free of debris. The fastener may be deflected if the stapler is not in proper contact with the workpiece resulting in property damage or personal injury.

Do not drive fasteners into unsuitable materials. Materials that are too hard can cause the fastener to deflect. Brittle materials can crumble and allow the fastener to break through. Materials that are too soft can allow the fastener to break through. These conditions can result in property damage or serious personal injury.

Do not pull the trigger or depress the nosepiece when loading the stapler. Pulling the trigger or depressing the nosepiece may cause misfiring of the tool resulting in personal injury and property damage.

Do not use the utility hook or its mounting location for tether attachments. The utility hook and its mounting location are not intended to support tethering loads.

Do not use the utility hook if it appears damaged or deformed. A damaged or deformed utility hook may result in unstable hanging and the tool unexpectedly falling, causing property damages and personal injury.

Never wedge the nosepiece between two or more surfaces. Gap between the nosepiece and multiple work surfaces may allow

deflection of the fastener and property damage or personal injury.

Never hold back the nosepiece during operation. Holding the nosepiece back can result in unexpected actuation and may cause property damage or serious injury.

Never position your face or body over the stapler during operation. The stapler will recoil when driving a fastener.

⚠ WARNING Do not operate the stapler if it does not pass daily inspection and testing. Operating a stapler that does not pass the daily inspection and testing may result in property damage and personal injury.

⚠ WARNING To reduce the risk of injury, always wear safety goggles or glasses with side shields. The operator and other people in the work area must wear eye protection in accordance with ANSI Z87.1. Eye protection does not fit all operators in the same way. Make sure the eye protection chosen has side shields or provides protection from flying debris both from the front and sides. The employer is responsible for enforcing the use of eye protection by the operator and other people in the work area. When required, wear head protection in accordance with ANSI Z89.1.

⚠ WARNING Some dust created by power sanding, sawing, grinding, drilling, and other construction activities contains chemicals known to cause cancer, birth defects or other reproductive harm. Some examples of these chemicals are:

- Lead from lead-based paints,
- Crystalline silica from bricks and cement and other masonry products, and
- Arsenic and chromium from chemically-treated lumber.

Your risk from these exposures varies, depending on how often you do this type of work. To reduce your exposure to these chemicals: work in a well ventilated area, and work with approved safety equipment, such as those dust masks that are specially designed to filter out microscopic particles.

Additional Safety Warnings

Disposal

This section is part of Robert Bosch Tool Corporation's commitment to preserving our environment and conserving our natural resources.

Tool Disposal

Do not dispose of power tools and batteries/rechargeable batteries into household waste!

Battery Disposal

Do not attempt to disassemble the battery or remove any components projecting from the battery terminals. Fire or injury may result. Prior to disposal, protect exposed terminals with heavy insulating tape to prevent shorting.

Lithium-Ion Batteries

If equipped with a lithium-ion battery, the battery must be collected, recycled, or disposed of in an environmentally sound manner.

The EPA certified RBRC Battery Recycling Seal on the lithium-ion (Li-ion) battery indicates Robert Bosch Tool Corporation is voluntarily participating in an industry program to collect and recycle these batteries at the end of their useful life, when taken out of service in the United States or Canada. The RBRC program provides a convenient alternative to placing used Li-ion batteries into the trash or the municipal waste stream, which may be illegal in your area.



Please call 1-800-8-BATTERY for information on Li-ion battery recycling and disposal bans/restrictions in your area or return your batteries to a Bosch/Dremel Service Center for recycling. Robert Bosch Tool Corporation's involvement in this program is part of our commitment to preserving our environment and conserving our natural resources.

Intended Use

⚠ WARNING Use this stapler only as intended. Unintended use may result in personal injury or property damage.






This is a hand-held, cordless, single sequential or contact (bump) operated fastening tool. It is designed to drive specially manufactured fasteners into wood and wood products.

Use only approved fasteners in combination with their corresponding fastener guide. (See the sections headed "Specifications" on page 10 and "Fastener Selection" on page 11.)

This tool is not intended for electrical cable installation.

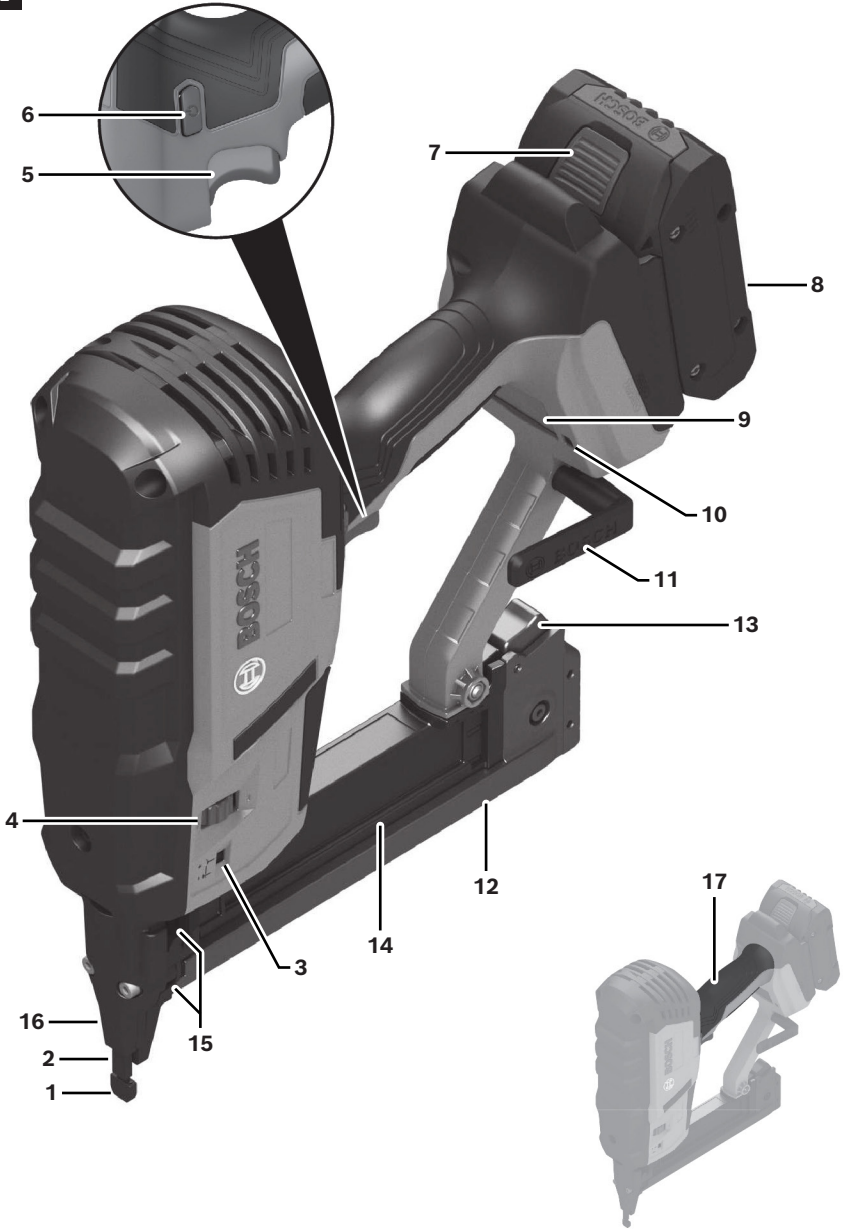
Symbols

Important: Some of the following symbols may be used on your tool. Please study them and learn their meaning. Proper interpretation of these symbols will allow you to operate the tool better and safer.

Symbol	Designation/Explanation
V	Volts (voltage)
A	Amperes (current)
Hz	Hertz (frequency, cycles per second)
W	Watt (power)
min	Minutes (time)
s	Seconds (time)
mm	Millimeters (dimension)
F	Fahrenheit (temperature)
C	Celsius (temperature)
===	Direct current (type or a characteristic of current)
	Alerts user to read manual.
	Alerts user to wear eye protection.
	Alerts user to puncture hazard.
	This symbol designates that this tool is listed by the Canadian Standards Association, to United States and Canadian Standards.
	Designates Li-ion battery recycling program.

Getting to Know Your GTH18V-18M Narrow Crown Stapler

Fig. 1



Getting to Know Your GTH18V-18M Narrow Crown Stapler

- | | |
|-------------------------------|-----------------------------|
| 1 No-Mar Pad | 10 LED Work Light |
| 2 Workpiece Contact | 11 Utility Hook |
| 3 Depth Setting Indicator | 12 Magazine |
| 4 Depth Setting Wheel | 13 Magazine Release Button |
| 5 Trigger | 14 Magazine Slider |
| 6 On/Off Button | 15 Magazine Capacity Window |
| 7 Battery Pack Release Button | 16 Nosepiece |
| 8 Battery Pack | 17 Handle (insulated grip) |
| 9 User Interface | |

Specifications

Model number	GTH18V-18M
Voltage rating	18 V ===
Motor type	DC Brushless
Collation angle	0°
Fastener crown width	1/4" (6.35 mm)
Fastener length range	3/8" - 1-1/2" (10 - 38 mm)
Fastener leg diameter	18 Gauge (1.2 mm)
Magazine capacity	105 Fasteners
Permitted battery temperature during charging	+32...+113°F (0...+45°C)
Permitted ambient battery temperature during charging	+32...+95°F (0...+35°C)
Permitted ambient temperature during operation** and storage	-4...+122°F (-20...+50°C)

* Using Core18V battery packs 4.0 Ah, 8.0 Ah, 12 Ah

** Performance is limited at temperatures below +32°F (0°C).

Battery Packs/Chargers

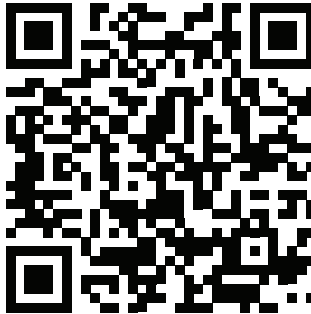
Please refer to the battery/charger list included with your tool.

Fastener Selection

For best performance, use the following Bosch fasteners for the intended application.

Designation	Length, inch (mm)	Crown Width, inch (mm)	Gauge (mm)	Col- lation Angle	Col- lation Material	Material	Point Type
GTH18G062GV	5/8 (16)	1/4 (6.35)	18 (1.2)	0°	Adhesive	Galvanized Steel	Chisel
GTH18G100GV	1 (25)						
GTH18G116GV	1-3/16 (30)						
GTH18G137GV	1-3/8 (35)						
GTH18G150GV	1-1/2 (38)						

Scan the QR Code to view the full selection of Bosch fasteners.



Assembly

⚠ WARNING Disconnect battery pack from tool before assembly, adjustments, troubleshooting or changing accessories. Such preventive safety measures reduce the risk of starting the tool accidentally, which may result in personal injury.

Inserting and Removing the Battery Pack

(Fig. 2)

To Insert the Battery Pack

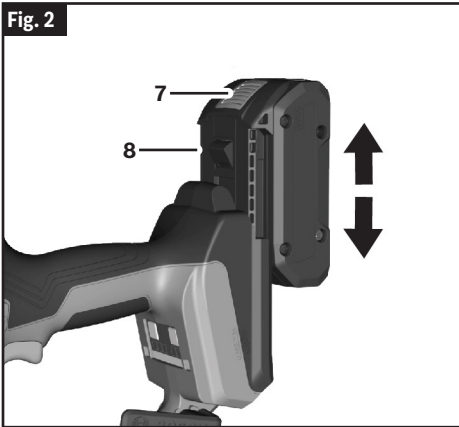
1. Slide charged Battery Pack **8** into the housing until the battery pack locks into position.

Your tool is equipped with a secondary locking latch to prevent the battery pack from completely falling out of the handle, should it become loose due to vibration.

To Remove the Battery Pack

2. Press the Battery Pack Release Button **7** and slide the Battery Pack **8** from the housing.
3. Press the Battery Pack Release Button **7** again and slide the Battery Pack **8** completely out of tool housing.

Fig. 2



Utility Hook

(Fig. 3)

⚠ WARNING Do not use the utility hook or its mounting location for tether attachments. The utility hook and its mounting location are not intended to support tethering loads.

⚠ WARNING Do not use the utility hook if it appears damaged or deformed. A damaged or deformed utility hook may result in unstable hanging and the tool unexpectedly falling, causing property damages and personal injury.

The stapler is equipped with a pre-installed Utility Hook **11** which may be removed then installed on the other side or removed completely from the stapler.

Removing the Utility Hook

Using a 4 mm hex key, remove the screw on the opposite side of the Utility Hook **11**. The Utility Hook **11** may now be reassembled on the other side of the stapler; ensure screw is properly tightened.

Fig. 3



Assembly

No-Mar Pad

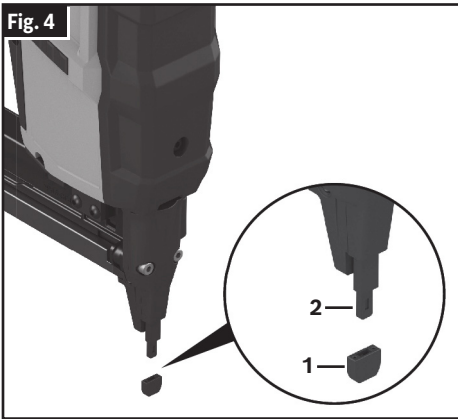
Replacing the No-Mar Pad

(Fig. 2, Fig. 4)

The stapler is equipped with a pre installed No-Mar Pad **1** which may be replaced once worn.

To replace the No-Mar Pad **1**:

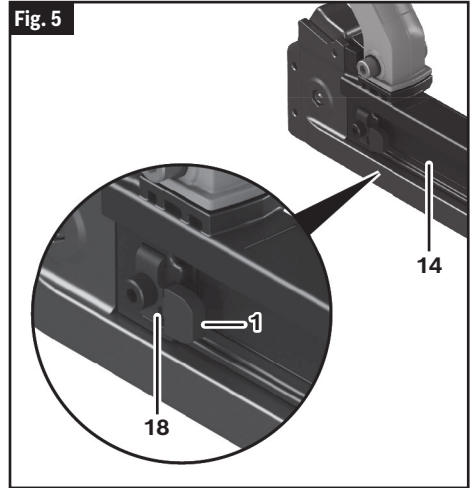
1. Remove the Battery Pack **8**.
2. Position stapler onto a flat stable surface and pointed away from yourself and bystanders.
3. Pull the No-Mar Pad **1** off the end of the Workpiece Contact **2**.
4. Install the new No-Mar Pad **1** onto the end of the Workpiece Contact **2**.



No-Mar Pad Storage

(Fig. 5)

A spare No-Mar Pad **1** can be stored on the tool for easy accessibility. Insert the No-Mar Pad **1** onto the No-Mar Pad Storage **18** location, found at the end of the Magazine Slider **14**.



Operation

⚠ WARNING Always observe the following safety precautions in addition to the safety instructions on pages 3 through 7. Failure to do so may result in equipment damage, property damage, or personal injury.

⚠ WARNING Disconnect battery pack from tool before assembly, adjustments, troubleshooting or changing accessories. Such preventive safety measures reduce the risk of starting the tool accidentally, which may result in personal injury.

⚠ WARNING Use personal protective equipment. Always wear eye protection. Protective equipment such as a dust mask, non-skid safety shoes, hard hat, or hearing protection used for appropriate conditions will reduce personal injuries.

not operate and the Status Indicator Display **20** will flash red.

10. If inspections confirm proper operation, the stapler is ready for use.

Daily Inspection and Testing

Loading and Unloading the Magazine

(Fig. 1, Fig. 2)

⚠ WARNING Do not operate the stapler if it does not pass daily inspection and testing. Operating a stapler that does not pass the daily inspection and testing may result in property damage and personal injury.

⚠ WARNING Do not pull the Trigger or depress the Workpiece Contact when loading or unloading the stapler. Pulling the Trigger or depressing the Workpiece Contact may cause misfiring of the tool, resulting in personal injury and property damage.

1. Remove the Battery Pack **8** and all fasteners from the Magazine **12**.
2. Inspect all screws, bolts, nuts, and pins on the stapler. Any loose fasteners must be tightened.
3. Press the Workpiece Contact **2** against a workpiece. It must move smoothly.
4. With the Workpiece Contact **2** pressed against the workpiece, pull the Trigger **5**. The stapler must not operate.
5. Insert the Battery Pack **8**, ensure there are no fasteners in the Magazine **12**, then turn on the stapler.
6. Without pulling the Trigger **5**, press the Workpiece Contact **2** against a workpiece. The stapler must not operate.
7. Pull the Workpiece Contact **2** away from the workpiece, allowing it to reset. Pull the Trigger **5**. The stapler must not operate, and the Status Indicator Display **20** will flash red.
8. La grapadora no debe funcionar y el visualizador del indicador de estado 20 parpadeará en rojo.
9. Continue to pull and hold the Trigger **5** and push the Workpiece Contact **2** against a workpiece. The stapler must

Loading the Magazine

(Fig. 2, Fig. 6, Fig. 7, Fig. 8)

When loading the Magazine **12**, check that the Magazine Slider **14** slides smoothly. If the Magazine Slider **14** does not slide smoothly, fasteners can be driven at irregular angles or the stapler may blank-fire.

Use Fastener Strips **19** that are unbroken and have fasteners of the same designation.

1. Remove the Battery Pack **8**.
2. Ensure that the Magazine **12** is free of debris, such as a build-up of saw dust.
3. Position stapler onto a flat stable surface and pointed away from yourself and bystanders.
4. Press the Magazine Release Button **13** **A** and pull the Magazine Slider **14** to the end of the Magazine **12** **B**.
5. Insert the collated Fastener Strip(s) **19** in through the front of the Magazine **12** so that the tip of staples are facing outward **C**.
6. Slowly push the Magazine Slider **14** into the Magazine **12** until it clicks in place **D**.

Operation

⚠ WARNING Guide the Magazine Slider by hand until it reaches its full forward position. Free recoil of the Magazine Slider can result in damage to the slider, magazine, or cause personal injury.

Note: For best performance use Bosch branded staples, as listed in "Fastener Selection" on page 11.

Fig. 6

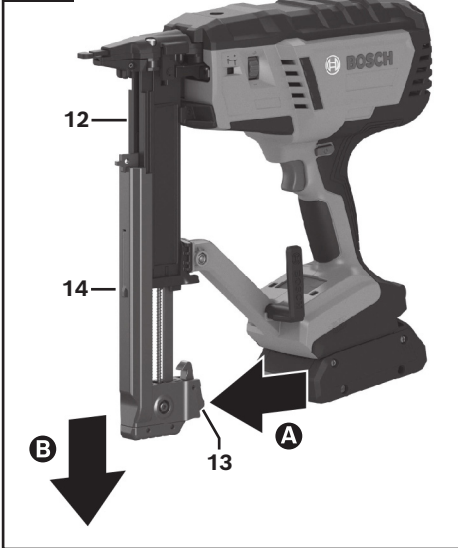


Fig. 7



Fig. 8



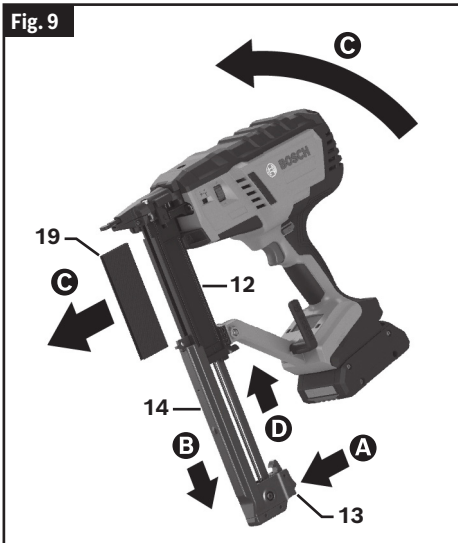
Operation

Unloading the Magazine

(Fig. 2, Fig. 6, Fig. 8, Fig. 9)

1. Remove the Battery Pack 8.
2. Position stapler onto a flat stable surface and pointed away from yourself and bystanders.
3. Press the Magazine Release Button 13 **A** and pull the Magazine Slider 14 to the end of the Magazine 12 **B**.
4. Tilt the stapler forward to remove the Fastener Strip(s) 19 from the Magazine 12 **C**.
5. Slowly push the Magazine Slider 14 into the Magazine 12 until it clicks in place **D**.

⚠ WARNING Guide the Magazine Slider by hand until it reaches its full forward position. Free recoil of the Magazine Slider can result in damage to the follower, magazine, or cause personal injury.



Dry Fire Lock Out

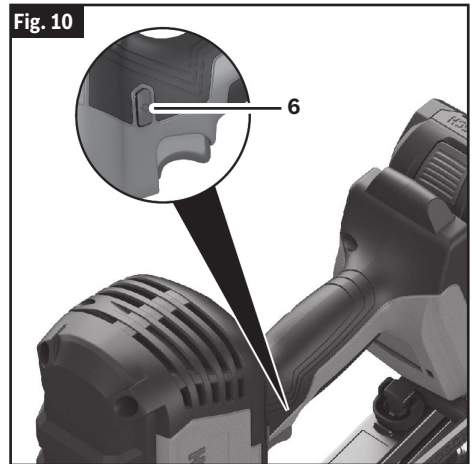
The stapler is equipped with a Dry Fire Lock Out. The Dry Fire Lock Out prevents firing when there are 5 fasteners remaining in the magazine.

On/Off Button

(Fig. 1, Fig. 10)

To switch on the stapler, press the On/Off Button 6, and the User Interface 9 will turn on.

To turn off the stapler, press the On/Off Button 6.

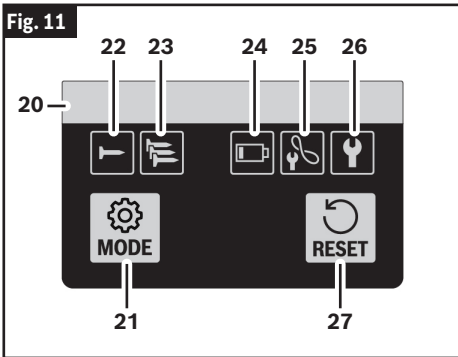


User Interface

(Fig. 1, Fig. 2, Fig. 11)

The User Interface **9** provides the following functions:

- Status Indicator **20**
- Mode Button **21**
- Single Actuation Indicator **22**
- Bump Actuation Indicator **23**
- Battery Low Indicator **24**
- Regular Service Due Indicator **25**
- Major Service Due Indicator **26**
- Reset Button **27**



Status Indicator

The Status Indicator **20** shows the status of the stapler. A green light indicates that the stapler is ready for operation. In case the Status Indicator **20** light color is not green, consult the "Troubleshooting" on page 22. for further information.

Mode Button

Use the Mode Button **21** to toggle between single actuation or bump actuation discharge modes. The selection will be indicated by either the Single Actuation Indicator **22** or Bump Actuation Indicator **23**.

Battery Low Indicator

The Battery Low Indicator **24** will only illuminate once the battery has reached 20% charge or below. A yellow Battery Low Indicator **24** signifies that the battery is 1-20%

full. A red Battery Low Indicator **24** signifies that the battery is 0-1% full.

Regular and Major Service Indicators

The Regular Service Due Indicator **25** or the Major Service Due Indicator **26** will illuminate once the stapler has reached a certain amount of discharges. It is recommended to return the stapler, battery pack and charger to a BOSCH service facility for inspection and/or service.

Reset Button

The Reset Button **27** is used to reset the stapler to a normal state after an abnormal condition is corrected. To reset the stapler, press and hold the Reset Button **27** for 3 seconds.

Consult the "Troubleshooting" on page 22. for further information on resetting the stapler.

Operation

Depth of Drive Adjustment

(Fig. 12)

The depth to which fasteners are driven into the work piece can be adjusted using the Depth Setting Wheel **4** on the side of the stapler. Use the Depth Setting Indicator **3** to determine the stapler's current depth setting.

Turn the Depth Setting Wheel **4** down to decrease the drive depth.

Turn the Depth Setting Wheel **4** up to increase drive depth.

Built-in Work Light

(Fig. 1, Fig. 2)

Your stapler is equipped with an LED Work Light **10** for better visibility when using the stapler.

The LED will stay on for 10 seconds after the Trigger **5** is pressed.

Stapler Actuation

⚠ WARNING Nosepiece must be in full contact with the work surface. Gap between the nosepiece and the work surface may result in deflection of the fastener and property damage or personal injury.

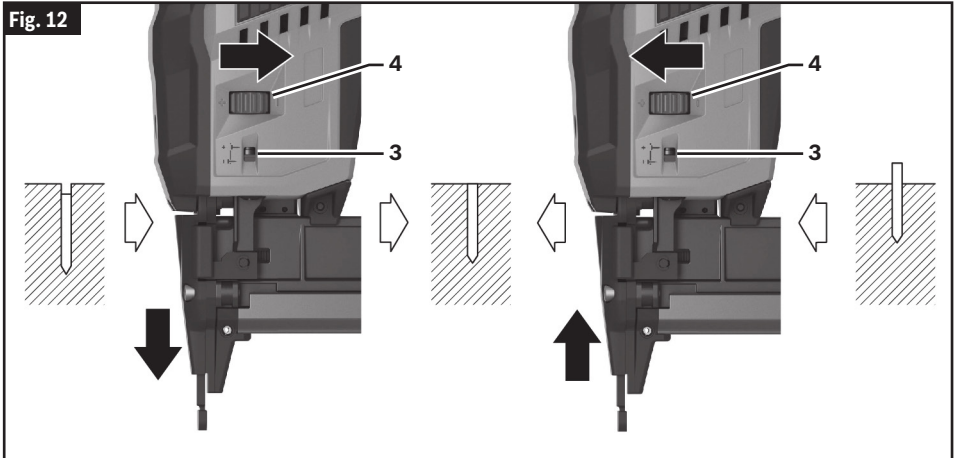
⚠ WARNING Never wedge the nosepiece between two or more surfaces. Gap between the nosepiece and multiple work surfaces may allow deflection of the fastener and property damage or personal injury.

⚠ WARNING Never hold back the Workpiece Contact during operation. Holding the Workpiece Contact back can result in unexpected actuation and may cause property damage or serious injury.

⚠ WARNING Never position your face or body over the stapler top cap during operation. Sudden recoil can result in impact to the body and injury.

This stapler can operate in a single sequential or contact (bump) actuation mode. Follow the corresponding section for the correct operational instructions.

Note: The stapler will switch off after 30 minutes of inactivity.



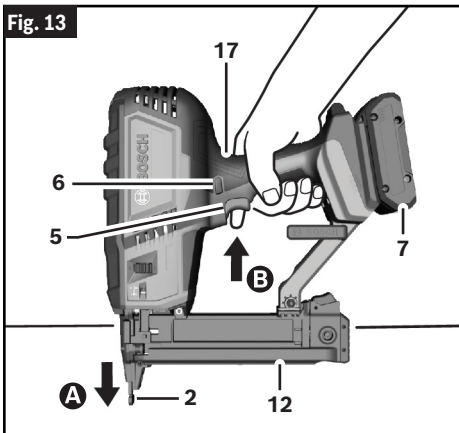
Operation

Single Sequential Actuation

(Fig. 1, Fig. 11, Fig. 13)

1. Load the Magazine **12**. See the "Loading and Unloading the Magazine" section on page 14.
2. Insert the Battery Pack **7**.
3. Press the On/Off Button **6** to activate the stapler.
4. Ensure that the stapler is in Single Actuation mode by checking the indicator on the User Interface **9**.
5. Firmly grip the Handle **17**, and hold the stapler to the work surface.
6. Depress the Workpiece Contact **2** fully against the work surface **A**. If the Workpiece Contact **2** is not fully depressed into the stapler, the stapler will not fire.
7. Pull the Trigger **5** **B** to drive the fastener into the work surface. The Trigger **5** must be pressed within 5 seconds after the Workpiece Contact **2** is fully depressed. If the Trigger **5** is pulled later, the stapler will revert to a SAFE mode and the actuation sequence will have to be repeated.
8. The stapler will recoil after the fastener is driven into the work surface. Use sufficient grip to maintain control and alignment of the stapler with the work surface during firing and recoil.
9. Release the Trigger **5**, and pull the stapler away from the work surface.

Fig. 13

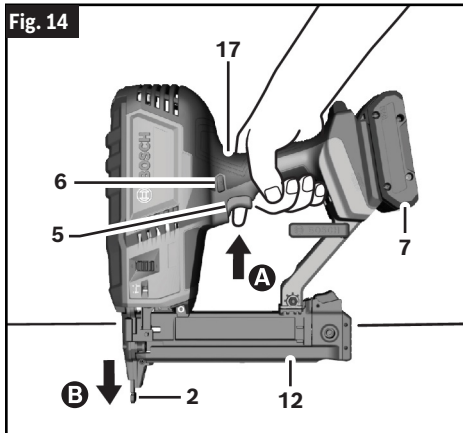


10. To fire another fastener, the Trigger **5** and Workpiece Contact **2** must be released and the firing sequence, steps 5-7, must be repeated.

Contact (Bump) Actuation

(Fig. 1, Fig. 11, Fig. 14)

1. Load the Magazine **12**. See the "Loading and Unloading the Magazine" section on page 14.
2. Insert the Battery Pack **7**.
3. Press the On/Off Button **6** to activate the stapler.
4. On the User Interface **9**, press the Mode Button **21** to toggle on Bump Actuation mode; the Bump Actuation Indicator **23** will illuminate.
5. Firmly grip the Handle **17** and pull the Trigger **5** to activate the stapler **A**.
6. Depress the Workpiece Contact **2** fully against the work surface **B** to drive the fastener; do not release the Trigger **5**. The Workpiece Contact **2** must be fully depressed within 5 seconds after the Trigger **5** is pressed. If the Workpiece Contact **2** is depressed later, the stapler will revert to a SAFE mode and the actuation sequence will have to be repeated. If the Workpiece Contact **2** is not fully depressed into the stapler, the stapler will not fire.
7. The stapler will recoil after the fastener is driven into the work surface. Use sufficient grip to maintain control and alignment of the stapler with the work surface during firing and recoil.
8. Continue to hold in the Trigger **5** and pull the stapler away from the work surface.
9. To fire another fastener, press the Workpiece Contact **2** at the next firing location; this step may be repeated as long as the Trigger **5** is continuously held in. Once the trigger is released, steps 5-8 must be repeated.



Maintenance

⚠ WARNING To avoid accidents, always disconnect the Battery Pack from the tool before cleaning or performing any maintenance.

⚠ WARNING Do not point the tool towards yourself or anyone nearby. Unexpected triggering will discharge the fastener causing an injury.

General Maintenance

Keep your stapler, battery pack and charger in good working order by adopting a regular maintenance program. Inspect your stapler for issues such as undue noise, misalignment or binding of moving parts, breakage of parts, or any other condition that may affect the stapler operation.

This stapler does not contain user-serviceable parts.

It is recommended after 6 months to a year, depending on use, to return the stapler, battery pack and charger to a BOSCH service facility for inspection.

If the stapler does not start or operate at full power with a fully charged battery pack, clean the contacts on the battery pack. If the stapler still does not work properly, return the stapler, charger and battery pack, to a BOSCH service facility for repairs.

Service

⚠ WARNING NO USER SERVICEABLE PARTS INSIDE. Maintenance performed by unauthorized personnel may result in misplacing of internal

wires and components which could cause serious hazard. We recommend that all tool service be performed by a Bosch Factory Service Center or Authorized Bosch Service location.

Cleaning

Clean dust and debris from any vents and fastener magazines. Keep stapler clean, dry and free of oil or grease. Use only mild soap and a damp cloth to clean housing, since certain cleaning agents and solvents are harmful to plastics and other insulated parts. Some of these include gasoline, turpentine, lacquer thinner, paint thinner, chlorinated cleaning solvents, ammonia and household detergents containing ammonia. Never use flammable or combustible solvents around tools.

Remove collation adhesive and clean accumulated dust from the magazine to allow the fasteners to feed smoothly.

Repairs

For repairs, return the stapler, battery pack and charger to the nearest Bosch service center, or Authorized Bosch Service location.

Troubleshooting

Jam Clearing

Follow the jam clearing procedure when a fastener is jammed:

1. Switch the stapler off by pressing the On/Off Button **6**.
2. Remove the Battery Pack **8** from the stapler.
3. Tilt the stapler forward to remove all fasteners from the Magazine **12**. See section "Loading and Unloading the Magazine" on page 14.

4. Remove the jammed fastener; use needlenose pliers if necessary.
5. Refill the Magazine **12**. See section "Loading and Unloading the Magazine" on page 14.
6. After successfully clearing the jam, follow the section "Daily Inspection and Testing" on page 14 to ensure normal operation of the stapler.

NOTE: If the driver blade does not return to its up position, remove the Battery Pack **8** and contact a Bosch service center or authorized Bosch service station.

LED Color	Indicator Status	Meaning	Solution
Green	Continuous light	Stapler is energized and operating. Conditions are normal.	Stapler is ready for use
Red	Continuous light	Battery pack and tool temperature too high/low.	Allow battery and/or stapler to reach permitted operating temperature. See "Specifications" section on page 10.
		Internal error.	Return to Bosch service center for service.
	Flashing light	Sequential operation has not been conducted correctly.	The status will automatically reset to ready and will display green after a moment. See "Stapler Actuation" section on page 18 for correct sequential operation.
		The trigger was not pressed within 5 seconds after the workpiece contact was depressed.	
Yellow	Continuous light	Battery not fully charged.	Charge battery or replace with full battery.
		Regular Service Due Indicator light is illuminated.	Return to Bosch service center for service.
		Major Service Due Indicator light is illuminated.	Return to Bosch service center for service.

Troubleshooting

Trouble	Cause	Action
Stapler does not operate. No actuation occurs.	No battery inserted, battery discharged.	Insert charged battery.
	Battery and tool temperature too low.	Allow battery and tool to warm up sufficiently to operating ambient temperature. See "Specifications" on page 10.
	Stapler not switched on.	Press On/Off Button 6 for 1.5 seconds. (See Fig. 1.)
	Sequential operation has not been conducted correctly.	See "Stapler Actuation" on page 18.
	Workpiece contact is not fully depressed.	See "Stapler Actuation" on page 18.
	Dry fire lock out activated, minimum amount of fasteners left in the magazine.	Refill the magazine. See "Loading the Magazine" on page 14.
	Fastener jammed.	See "Jam Clearing" on page 22.
	Fasteners used are not approved.	Only use approved fasteners. See "Fastener Selection" on page 11.
	Magazine is empty.	Refill the magazine. See "Loading the Magazine" on page 14.
Fastener jammed.	Debris, dirt, or jammed fastener in nosepiece and/or magazine.	See "Jam Clearing" on page 22.
Underdriven fasteners.	Depth of drive is not set deep enough.	Adjust depth setting wheel to increase drive depth. See "Depth of Drive Adjustment" on page 18.
	Fastener is too long.	Only use approved fasteners. See "Specifications" on page 10."Fastener Selection" on page 11.
	The battery is discharged or defective.	Insert charged battery. See "To Insert the Battery Pack" on page 12.
Overdriven fasteners.	Depth of drive is set too deep.	Adjust depth setting wheel to decrease drive depth. See "Depth of Drive Adjustment" on page 18.
	Fastener is too short.	Only use approved fasteners. See "Specifications" on page 10."Fastener Selection" on page 11.

Troubleshooting

Trouble	Cause	Action
The driven fasteners bend or break.	Fastener is too long.	Select shorter fastener per “Fastener Selection” table on page 11.
	Work surface too hard.	Use the stapler only on wood and wood products.
	The driver blade is damaged.	Return to Bosch service center for service.
The stapler skips fasteners or has a cycle feed that is too large.	Fasteners used are not approved.	Only use approved fasteners. See “Specifications” table on page 10.
Fastener are frequently jamming.	Fasteners used are not approved.	Only use approved fasteners. See “Specifications” table on page 10.
	The fasteners are old, adhesion between fasteners is worn.	Use new fastener strips.
Fasteners do not slide into magazine.	Dust or debris in magazine.	Inspect the magazine and clear any residual material build-up or any foreign matter.

Symboles relatifs à la sécurité

Les définitions ci-dessous décrivent le niveau de gravité pour chaque terme concernant des précautions à prendre. Veuillez lire le mode d'emploi et lire la signification de ces symboles.





	C'est le symbole d'alerte relatif à la sécurité. Il est utilisé pour vous avertir de l'existence possible d'un risque de blessure. Obéissez à tous les messages relatifs à la sécurité qui suivent ce symbole pour éviter tout risque de blessure ou même de mort.
	DANGER indique une situation dangereuse qui, si elle n'est pas évitée, causera la mort d'une personne ou une blessure grave.
	AVERTISSEMENT indique une situation dangereuse qui, si elle n'est pas évitée, pourrait causer la mort d'une personne ou une blessure grave.
	MISE EN GARDE indique une situation dangereuse qui, si elle n'est pas évitée, pourrait causer une blessure légère ou modérée.

Table des matières

Avertissements généraux relatifs à la sécurité pour les outils électriques	26	Entretien	45
Avertissement relatif à la sécurité pour les agrafeuses sans fil	28	Maintenance générale	45
Avertissements supplémentaires concernant la sécurité	28	Service	45
Mise au rebut	30	Nettoyage	45
Utilisation prévue	31	Réparations	45
Symboles	32	Recherche de la cause des problèmes	46
Familiarisez-vous avec l'agrafeuse à couronne étroite GTH18V-18M	33	Déblocage d'obstructions	46
Spécifications	34		
Sélection des dispositifs de fixation	35		
Assemblage	36		
Insertion et retrait du bloc-piles	36		
Crochet utilitaire	36		
Tampon ne laissant pas de marques	37		
Opération	38		
Inspections et tests quotidiens	38		
Chargement et déchargement du magasin	38		
Verrouillage de la fonction de tir à sec	40		
Bouton de mise sous tension/hors tension	40		
Interface utilisateur	41		
Commutateur de réglage de la profondeur	42		
Lampe de travail	42		
Actionnement de l'agrafeuse	42		

Avertissements généraux relatifs à la sécurité pour les outils électriques

⚠ AVERTISSEMENT Lisez toutes les consignes de sécurité, instructions, illustrations et spécifications fournies avec cet outil électrique. Le non-respect de toutes les instructions figurant ci-après pourrait causer un choc électrique, un incendie et/ou des blessures graves.

CONSERVEZ TOUS LES AVERTISSEMENTS ET TOUTES LES INSTRUCTIONS POUR RÉFÉRENCE FUTURE.

Le terme « outil électrique » dans les avertissements fait référence à votre outil électrique à cordon d'alimentation électrique branché dans une prise secteur ou à votre outil électrique à piles (sans fil).

1. Sécurité de la zone de travail

- a. **Gardez votre zone de travail propre et bien éclairée.** Des zones encombrées ou sombres sont propices aux accidents.
- b. **N'utilisez pas des outils électriques dans une atmosphère explosive, par exemple en présence de liquides, de gaz ou de poussières inflammables.** Les outils électriques
- c. **produisent des étincelles qui risquent de mettre feu aux poussières ou émanations de fumée.**
- d. **Gardez les enfants et les autres personnes présentes à une distance suffisante lorsque vous utilisez un outil électrique.** Des distractions risqueraient de vous faire perdre le contrôle.

2. Sécurité électrique

- a. **La fiche de l'outil électrique doit correspondre à la prise de courant. Ne modifiez jamais une fiche de quelque façon que ce soit. N'utilisez pas d'adaptateurs de fiches avec des outils électriques mis à la terre/à la masse.** L'emploi de fiches non modifiées et de prises de courant correspondant naturellement aux fiches réduira le risque de choc électrique.
- b. **Évitez tout contact de votre corps avec des surfaces mises à la terre ou à la masse telles que des surfaces de tuyaux, de radiateurs, de cuisinières et de réfrigérateurs.** Il existe un risque accru de choc électrique si votre corps est en contact avec la terre ou la masse.
- c. **N'exposez pas d'outils électriques à la pluie ou à un environnement humide.** La pénétration d'eau dans un outil électrique augmentera le risque de choc électrique.
- d. **N'utilisez pas le cordon de façon abusive. N'utilisez pas le cordon pour porter, tirer ou débrancher l'outil électrique. Tenez le cordon à distance de toute source de chaleur, d'huile, de bords tranchants ou de pièces mobiles.** Des

cordons endommagés ou entortillés augmentent le risque de choc électrique.

- e. **Lorsque vous utilisez un outil électrique à l'extérieur, employez un cordon de rallonge approprié pour un emploi à l'extérieur.** L'utilisation d'un cordon approprié pour une utilisation à l'extérieur réduit le risque de choc électrique.
- f. **Si l'utilisation d'un outil électrique dans un endroit humide est inévitable, utilisez une alimentation protégée par un disjoncteur de fuite à la terre.** L'utilisation d'un tel circuit réduit le risque de choc électrique.

3. Sécurité personnelle

- a. **Faites preuve de vigilance et de bon sens, et observez attentivement ce que vous faites lorsque vous utilisez un outil électrique. N'utilisez pas un outil électrique si vous êtes fatigué(e) ou sous l'influence de drogues, d'alcool ou de médicaments.** Un simple moment d'inattention pendant que vous utilisez un outil électrique pourrait causer une blessure grave.
- b. **Utilisez des équipements de protection individuelle. Portez toujours des équipements de protection des yeux.** Des équipements de protection tels qu'un masque de protection contre la poussière, des chaussures de sécurité anti-dérapantes, un casque ou un dispositif de protection de l'ouïe utilisés en fonction des conditions réduiront le nombre des blessures.
- c. **Prévenez tout risque de mise en marche accidentelle. Assurez-vous que l'interrupteur est dans la position d'arrêt (OFF) avant de connecter l'appareil à une source d'alimentation et/ou à un bloc-piles, de le soulever ou de le transporter.** Le fait de transporter des outils électriques avec le doigt sur l'interrupteur ou de mettre sous tension des outils électriques avec l'interrupteur en position de marche invite les accidents.
- d. **Retirez toute clé de réglage pouvant être attachée à l'outil avant de mettre l'outil électrique sous tension.** Une clé laissée attachée à une pièce

CONSERVEZ CES INSTRUCTIONS

Avertissements généraux relatifs à la sécurité pour les outils électriques

en rotation de l'outil électrique pourrait causer une blessure.

- e. **Ne vous penchez pas excessivement au-dessus de l'outil. Veillez à toujours garder un bon équilibre et un appui stable.** Ceci permet de mieux contrôler l'outil électrique dans des situations inattendues.
- f. **Portez des vêtements appropriés. Ne portez pas de bijoux ou de vêtements amples. Gardez vos cheveux et vos vêtements à une distance suffisante des pièces mobiles.** Vêtements amples, bijoux ou cheveux longs pourraient être attrapés par des pièces mobiles.
- g. **Si des dispositifs sont fournis pour le raccordement d'accessoires d'extraction et de collecte de la poussière, assurez-vous qu'ils sont connectés et utilisés de façon appropriée.** L'emploi correct des accessoires de collecte de la poussière peut réduire les dangers associés à la poussière.
- h. **Ne laissez pas la familiarité résultant de l'utilisation fréquente des outils vous inciter à devenir complaisant(e) et à ignorer les principes de sécurité relatifs aux outils.** Une action négligente pourrait causer des blessures graves en une fraction de seconde.

4. Utilisation et entretien de l'outil électrique

- a. **N'imposez pas de contraintes excessives à l'outil électrique. Utilisez l'outil électrique approprié pour votre application.** L'outil électrique correct fera le travail plus efficacement et avec plus de sécurité à la vitesse à laquelle il a été conçu pour fonctionner.
- b. **N'utilisez pas l'outil électrique si l'interrupteur de marche/arrêt ne permet pas de le mettre sous tension/hors tension.** Tout outil électrique qui ne peut pas être contrôlé par son interrupteur est dangereux et doit être réparé.
- c. **Débranchez la fiche de la source d'alimentation électrique et/ou retirez le bloc-piles de l'outil électrique (s'il est amovible) avant d'y apporter de quelconques modifications, de changer d'accessoire ou de ranger l'outil électrique.** De telles mesures de sécurité préventives réduisent le risque de déclenchement accidentel de l'outil électrique.
- d. **Rangez les outils électriques qui ne sont pas utilisés activement hors de portée des enfants, et ne laissez aucune personne n'ayant pas lu ces**

instructions et ne sachant pas comment utiliser un tel outil électrique se servir de cet outil. Les outils électriques sont dangereux quand ils sont entre les mains d'utilisateurs n'ayant pas reçu la formation nécessaire à leur utilisation.

- e. **Entretenez de façon appropriée les outils électriques et les accessoires. Assurez-vous que les pièces en mouvement sont bien alignées et qu'elles ne se coincent pas, qu'il n'y a pas de pièces cassées ou qu'il n'existe aucune situation pouvant affecter le fonctionnement de l'outil électrique. Si l'outil électrique est endommagé, faites-le réparer avant de vous en servir à nouveau.** De nombreux accidents sont causés par des outils électriques mal entretenus.
 - f. **Gardez les outils de coupe tranchants et propres.** Des outils de coupe entretenus de façon adéquate avec des bords de coupe tranchants sont moins susceptibles de se coincer et sont plus faciles à contrôler.
 - g. **Utilisez l'outil électrique, les accessoires, les embouts de l'outil, etc. conformément à ces instructions, en tenant compte des conditions de travail et de la tâche à accomplir.** L'utilisation de l'outil électrique pour des opérations différentes de celles pour lesquelles il est conçu pourrait causer une situation dangereuse.
 - h. **Gardez les poignées et les surfaces de préhension propres, sèches et exemptes de toute trace d'huile ou de graisse.** Les poignées et les surfaces de préhension glissantes ne permettent pas une manipulation et un contrôle sûrs de l'outil dans des situations inattendues.
-
- ## 5. Utilisation et entretien de l'outil électrique à pile

- a. **Ne rechargez l'outil qu'avec le chargeur indiqué par le fabricant.** Un chargeur qui est approprié pour un type de bloc-piles pourrait créer un risque d'incendie quand il est utilisé avec un autre bloc-piles.
- b. **Utilisez votre outil exclusivement avec des blocs-piles conçus spécifiquement pour celui-ci.** L'emploi de tout autre bloc-piles risquerait de causer des blessures et un incendie.
- c. **Lorsque le bloc-piles n'est pas utilisé, gardez-le à une distance suffisante des autres objets en métal, comme des trombones, pièces de monnaie, clés, clous, vis ou autres petits objets en métal qui pourraient faire une connexion entre une borne et une autre.** Le court-circuitage des

CONSERVEZ CES INSTRUCTIONS

Avertissements généraux relatifs à la sécurité pour les outils électriques

bornes d'une pile pourrait causer des brûlures ou un incendie.

- d. **Dans des conditions d'utilisation abusives, du liquide pourrait être éjecté de la pile, évitez tout contact avec celui-ci. En cas de contact accidentel, lavez avec de l'eau. En cas de contact de liquide avec les yeux, consultez un professionnel de santé.** Tout liquide éjecté d'une pile peut causer de l'irritation ou des brûlures.
- e. **N'utilisez pas un bloc-piles ou un outil qui est endommagé ou a été modifié.** Des piles endommagées ou modifiées peuvent se comporter de façon imprévisible et causer un incendie ou une EXPLOSION, ou entraîner des blessures.
- f. **N'exposez pas un bloc-piles ou un outil à un incendie ou à une température excessive.** L'exposition à un incendie ou à une température supérieure à 265 °F (130 °C) pourrait causer une explosion.

- g. **Suivez toutes les instructions relatives à la charge et ne chargez pas le bloc-piles ou l'outil en dehors de la plage de température indiquée dans les instructions.** Une charge dans des conditions appropriées ou à des températures en dehors de la plage spécifiée pourrait endommager les piles et augmenter le risque d'incendie.

6. Service après-vente

- a. **Faites entretenir votre outil électrique par un réparateur compétent n'utilisant que des pièces de rechange identiques.** Ceci assurera le maintien de la sécurité de l'outil électrique.
- b. **Ne tentez jamais de réparer des blocs-piles endommagés.** La réparation de blocs-piles ne doit être effectuée que par le fabricant ou un prestataire de services agréé.

Avertissement relatif à la sécurité pour les agrafeuses sans fil

- a. **Il faut toujours supposer que l'outil contient des éléments de fixation.** Une manipulation imprudente de l'outil peut entraîner une mise à feu inattendue des éléments de fixation et causer des blessures corporelles.
- b. **Ne dirigez pas l'outil vers vous-même ou vers une autre personne se trouvant à proximité.** Un déclenchement inattendu entraînera l'éjection de l'élément de fixation et causera des blessures.
- c. **N'actionnez pas l'outil si celui-ci n'est pas fermement placé contre la pièce à usiner.** Si l'outil n'est pas en contact avec la pièce à usiner, l'élément de fixation peut être dévié de celle-ci.
- d. **Débranchez l'outil de la source d'alimentation lorsque l'élément de fixation est coincé dans l'outil.** Lors du retrait d'un élément de fixation

coincé, l'agrafeuse peut être accidentellement activée si elle est branchée.

- e. **Faites preuve de prudence lorsque vous retirez un élément de fixation coincé.** Le mécanisme peut être soumis à une compression, et l'élément de fixation peut être éjecté avec force quand on essaie de résoudre un problème de coincement.
- f. **N'utilisez pas cette brocheuse-cloueuse pour attacher des câbles électriques.** Elle n'est pas conçue pour l'installation de câbles électriques et peut endommager l'isolation des câbles électriques, provoquant ainsi des risques de choc électrique ou d'incendie.

Avertissements supplémentaires concernant la sécurité

N'enfoncez pas d'éléments de fixation dans les murs ou les sols sans vous assurer à l'avance que la zone du côté opposé est dégagée. Un élément de fixation pourrait traverser la surface de travail et causer des dommages matériels ou des blessures.

N'enfoncez pas d'éléments de fixation dans les murs, les sols ou d'autres zones de travail sans savoir ce

qui pourrait être endommagé par l'enfoncement de l'élément de fixation. Les éléments de fixation enfoncés dans des fils électriques sous tension, la plomberie, la tuyauterie de gaz ou d'autres types d'obstructions peuvent entraîner une électrocution, une explosion, des blessures corporelles et/ou des dommages matériels.

CONSERVEZ CES INSTRUCTIONS

Consignes de sécurité additionnelles

Tenez l'outil électrique par ses surfaces de préhension identifiées isolées lorsque vous effectuez une opération dans le cadre de laquelle l'élément de fixation risque d'entrer en contact avec un fil caché.

L'entrée en contact d'un élément de fixation avec un fil sous tension pourrait rendre conductrices des parties en métal exposées de l'outil électrique et causer un choc électrique à l'opérateur.

Il ne faut pas altérer, retirer ou rendre inopérantes les commandes de l'agrafeuse. L'absence ou le mauvais fonctionnement de commandes de l'agrafeuse peut entraîner un déclenchement inattendu et causer des blessures.

Ne gardez jamais un doigt sur la gâchette lorsque vous n'enfoncez pas d'éléments de fixation ou lorsque vous ne transportez pas l'outil. Transportez l'outil uniquement par la poignée. Le fait de garder un doigt sur la gâchette lorsque vous transportez l'outil ou lorsque vous n'enfoncez pas d'éléments de fixation peut entraîner un déclenchement involontaire et causer des blessures corporelles.

Lors du chargement des éléments de fixation, veillez à ce que les têtes des éléments de fixation soient alignées sur l'embout avant de l'outil. Si les éléments de fixation ne sont pas alignés sur l'embout avant de l'outil, celui-ci peut se bloquer ou mal fonctionner, et causer des dommages matériels ou des blessures.

N'utilisez que les éléments de fixation répondant aux critères énumérés dans la section « Spécifications » de ce mode d'emploi. Les éléments de fixation non identifiés pour être utilisés avec cet outil peuvent entraîner un dysfonctionnement de l'outil et causer un risque de blessure et/ou d'endommagement de l'outil.

Gardez les mains et les pieds à une distance d'au moins 200 mm / 8 po de l'embout avant de l'outil pendant son utilisation. Des éléments de fixation pourraient être infléchis et causer des dommages matériels ou même des blessures.

N'enfoncez pas un élément de fixation dans un autre élément de fixation. Cela pourrait faire dévier l'élément de fixation ou faire réagir l'outil de manière inattendue et provoquer des blessures.

Ne vous livrez pas à des chahuts. Quand ils sont éjectés, les éléments de fixation peuvent être des projectiles capables de causer des blessures graves.

Il ne faut jamais actionner l'agrafeuse si elle n'est pas perpendiculaire à la surface de la pièce à travailler et si la surface de la pièce n'est pas exempte de débris. L'élément de fixation peut être dévié s'il n'est pas

correctement en contact avec la pièce à travailler, ce qui peut entraîner des dommages matériels ou des blessures.

N'enfoncez pas les éléments de fixation dans des matériaux inadaptés. Les matériaux trop durs peuvent faire dévier l'élément de fixation. Les matériaux fragiles peuvent s'effriter et permettre à l'élément de fixation de passer au travers. Les matériaux trop souples peuvent permettre à l'élément de fixation de passer au travers. Ces conditions peuvent entraîner des dommages matériels ou des blessures corporelles graves.

Il ne faut pas appuyer sur la gâchette ou sur la pointe de l'agrafeuse lors du chargement de l'agrafeuse. Le fait d'appuyer sur la gâchette ou d'enfoncer l'embout avant de l'outil peut provoquer des ratés et entraîner des blessures corporelles et des dommages matériels.

N'utilisez pas le crochet de suspension ou son emplacement de montage pour attacher des câbles. Le crochet de suspension et son emplacement de montage ne sont pas destinés à supporter des charges de fixation.

N'utilisez pas le crochet de suspension de la scie s'il semble endommagé ou déformé. Un crochet de suspension endommagé ou déformé peut entraîner une suspension instable et la chute inattendue de l'outil, ce qui peut causer des dommages matériels et des blessures corporelles.

Ne calez jamais l'embout avant de l'outil entre deux ou plusieurs surfaces. L'espace compris entre l'embout avant de l'outil et plusieurs surfaces de travail peut permettre la déviation de l'élément de fixation et causer des dommages matériels ou des blessures corporelles.

Ne retenez jamais l'embout avant de l'outil pendant l'opération. Le fait de retenir l'embout avant de l'outil peut entraîner un déclenchement inattendu et causer des dommages matériels ou des blessures graves.

Ne placez jamais votre visage ou votre corps au-dessus de l'agrafeuse pendant son fonctionnement. L'agrafeuse reculera lors de l'enfoncement d'un élément de fixation.

⚠ AVERTISSEMENT **Il ne faut pas utiliser l'agrafeuse si elle n'a pas été inspectée et testée quotidiennement, et si son fonctionnement n'a pas été jugé satisfaisant.** L'utilisation d'une agrafeuse qui n'a pas passé l'inspection et le test quotidiens de façon satisfaisante peut entraîner des dommages matériels et des blessures.

Consignes de sécurité additionnelles



Pour réduire le risque de blessure, portez toujours des lunettes de sécurité ou des lunettes avec écrans latéraux.

L'opérateur et les autres personnes dans la zone de

travail doivent porter des lunettes de protection conformément à la norme ANSI Z87.1. La protection oculaire ne convient pas à tous les opérateurs de la même manière. Assurez-vous que la protection oculaire choisie a des écrans latéraux ou offre une protection contre les débris volants à la fois de l'avant et des côtés. L'employeur est responsable de faire respecter l'utilisation de la protection oculaire par l'opérateur et les autres personnes dans la zone de travail. Au besoin, portez une protection de la tête conformément à la norme ANSI Z89.1.

AVERTISSEMENT Des travaux de ponçage, de sciage, de meulage et de perçage réalisés avec un outil électrique et d'autres travaux de construction peuvent produire des poussières contenant des produits chimiques qui sont des causes reconnues de cancer, de malformation congénitale ou d'autres problèmes reproductifs. Ces produits chimiques sont, par exemple :

- le plomb provenant de peinture au plomb,
- des cristaux de silice provenant des briques et du ciment, ainsi que d'autres produits de maçonnerie, et
- de l'arsenic et du chrome provenant de bois de construction traité par des produits chimiques.

Le niveau de risque causé par de telles expositions varie en fonction de la fréquence de ces types de travaux. Pour réduire l'exposition à ces produits chimiques, il est utile de travailler dans un lieu bien ventilé et de porter un équipement de sécurité approprié tel que certains masques à poussière conçus spécialement pour filtrer les particules microscopiques.

Mise au rebut

Cette section fait partie de l'engagement de Robert Bosch Tool Corporation à préserver notre environnement et à conserver nos ressources naturelles.

Mise au rebut de outil

Ne jetez pas les outils électriques et les piles/batteries rechargeables avec les ordures ménagères !

Mise au rebut des piles

Ne tentez pas de désassembler le bloc-piles ou d'enlever tout composant faisant saillie des bornes de piles, ce qui

peut provoquer un incendie ou des blessures. Avant la mise au rebut, protégez les bornes exposées à l'aide d'un ruban isolant épais pour prévenir le court-circuitage.

Piles lithium-ion

Si le produit est équipé d'une pile lithium-ion, la pile doit être ramassée, recyclée ou mise au rebut d'une manière qui ne soit pas nocive pour l'environnement.

“Le sceau RBRC de recyclage des piles, homologué par l'EPA (Agence pour la protection de l'environnement des États-Unis), qui se trouve sur les piles au lithium-ion (Li-ion) indique que Robert Bosch Tool Corporation participe volontairement à un programme industriel de ramassage et de recyclage de ces piles au terme de leur vie utile, pourvu qu'elles soient mises hors service aux États-Unis ou au Canada. Le programme du RBRC offre une alternative pratique à la mise des piles au Li-ion usées au rebut ou au ramassage d'ordures municipal, ce qui pourrait être interdit dans votre région.



Veillez appeler le 1-800-8-BATTERY pour obtenir de plus amples renseignements sur le recyclage des piles au Li-ion et sur les restrictions ou interdictions de mise au rebut qui s'appliquent à votre région ou renvoyez vos piles à un Centre de Service Bosch/Dremel pour recyclage. La participation de Robert Bosch Tool Corporation à ce programme s'insère dans le contexte de notre engagement à préserver notre environnement et à conserver nos ressources naturelles.”

CONSERVEZ CES INSTRUCTIONS

Utilisation prévue

⚠ AVERTISSEMENT Utilisez cette agrafeuse uniquement de la manière prévue. Une utilisation inappropriée pourrait causer des blessures ou des dommages matériels.

Il s'agit d'un outil de fixation manuel, sans fil, à séquence unique ou par contact (percussion). Il est conçu pour enfoncer des dispositifs de fixation spécialement fabriqués dans le bois et les produits en bois.






Utilisez uniquement des dispositifs de fixation approuvés en combinaison avec leur guide de fixation correspondant.

(Voir les sections intitulées « Specifications » à la page 34 et « Sélection des dispositifs de fixation » à la page Sélection des dispositifs de fixation » à la page 35).

Cet outil n'est pas conçu pour l'installation de câbles électriques.

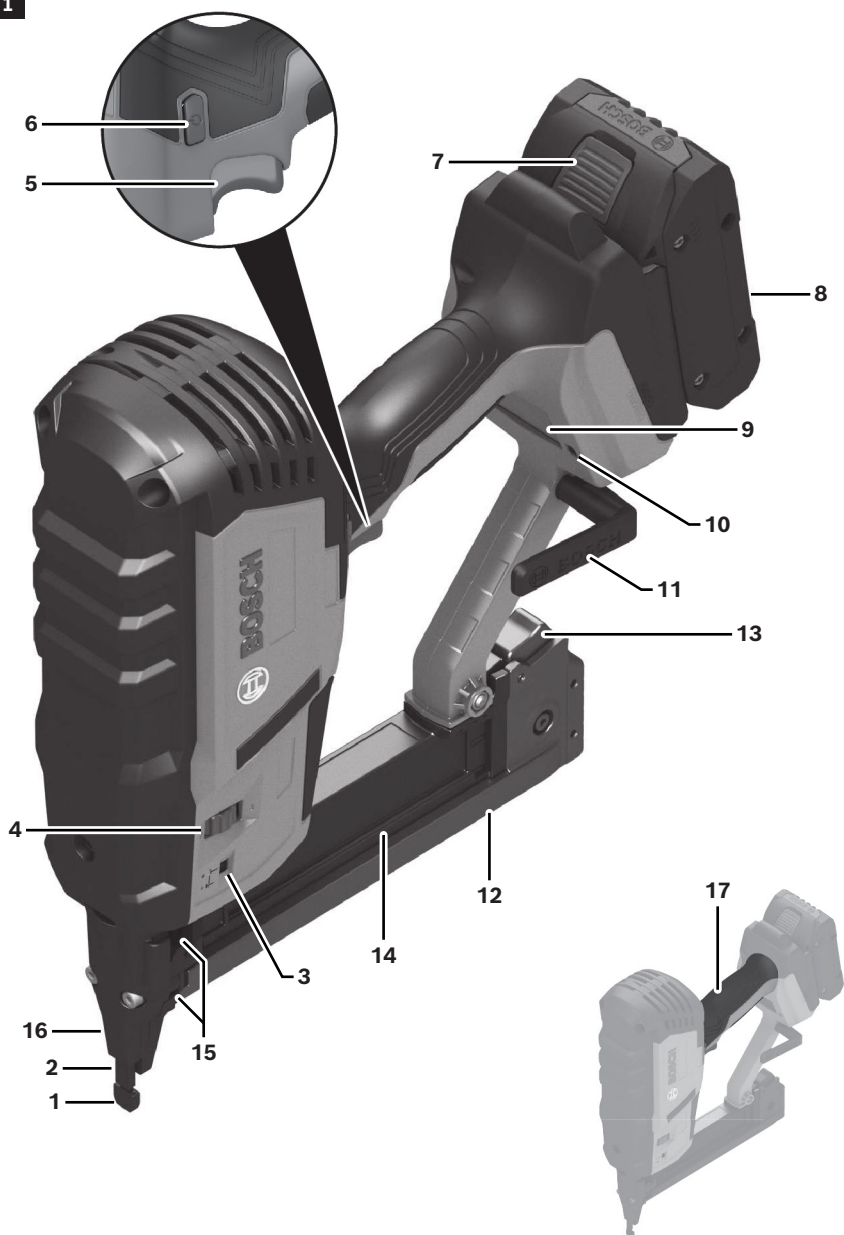
Symboles

Important : Certains des symboles suivants peuvent être utilisés sur votre outil. Veuillez les étudier et apprendre leur signification. L'interprétation correcte de ces symboles vous aidera à mieux utiliser votre outil et à vous en servir plus efficacement et en toute sécurité.

Symbole	Désignation/Explication
V	Volts (tension)
A	Ampères (courant)
Hz	Hertz (fréquence, cycles par seconde)
W	Watt (puissance)
min	Minutes (temps)
s	Secondes (temps)
mm	Millimètre (dimension)
F	Fahrenheit (température)
C	Celsius (température)
— — —	Courant continu (type ou caractéristique du courant)
	Alerte l'utilisateur pour lire le mode d'emploi.
	Alerte l'utilisateur pour lui demander de porter un dispositif de protection des yeux.
	Avertit l'utilisateur qu'il existe un risque de perforation.
	Ce symbole indique que ce composant est reconnu par Underwriters Laboratories, et qu'il est conforme aux normes des États-Unis et du Canada.
	Désigne un programme de recyclage des piles Li-ion.

Familiarisez-vous avec l'agrafeuse à couronne étroite GTH18V-18M

Fig. 1



Familiarisez-vous avec l'agrafeuse à couronne étroite GTH18V-18M

- | | | | |
|---|--|----|--|
| 1 | Tampon ne laissant pas de marques | 10 | Interface utilisateur |
| 2 | Contact avec la pièce à usiner | 11 | Lampe de travail à DEL |
| 3 | Loquet d'élimination des blocages | 12 | Crochet de suspension |
| 4 | Indicateur de réglage de la profondeur | 13 | Chargeur |
| 5 | Molette de réglage de la profondeur | 14 | Bouton d'éjection du magasin |
| 6 | Gâchette | 15 | Glissière du magasin |
| 7 | Bouton de mise sous tension/hors tension | 16 | Fenêtre indiquant la capacité du magasin |
| 8 | Bouton d'éjection du bloc-piles | 17 | Embout avant |
| 9 | Bloc-piles | 18 | Poignée (surface de préhension isolée) |

Specifications

Numéro de modèle	GNH18V-18M
Tension nominale	18 V ===
Type de moteur	c.c. sans balais
Angle de collationnement	0°
Largeur de la couronne de l'élément de fixation	1/4 po (6,35 mm)
Gamme de longueur des dispositifs de fixation	3/8 po - 1-1/2 po (10 - 38 mm)
Diamètre de la patte de l'élément de fixation	Calibre 18 (1,2 mm)
Capacité du magasin	105 dispositifs de fixation
Température autorisée pour les piles pendant la charge	+32...+113°F (0...+45°C)
Température ambiante autorisée pour les piles pendant la charge	+32...+95°F (0...+35°C)
Température ambiante autorisée pendant le fonctionnement** et le stockage	-4...+122°F (-20...+50°C)

* Utilisation de blocs-piles Core18V de 4,0 Ah, 8,0 Ah, 12 Ah

** La cloueuse ne fonctionnera pas en dessous de 23 °F (-5 °C) ou au-dessus de 122 °F (50 °C).

Blocs-piles/chargeurs

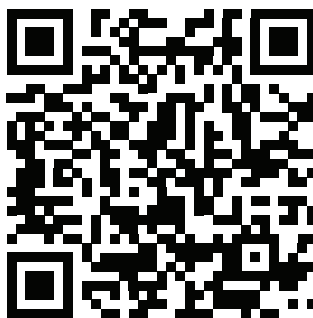
Veuillez consulter la liste des chargeurs/piles accompagnant l'outil.

Sélection des dispositifs de fixation

Pour obtenir la meilleure performance possible, utilisez les dispositifs de fixation Bosch suivants pour l'application prévue.

Désignation	Longueur po (mm)	Largeur de la couronne, mm / po	Calibre (mm)	Angle de colation	Matériau de collation	Matériau	Type de point
GTH18G062GV	5/8 (16)	1/4 (6,35)	18 (1,2)	0°	Adhésif	Acier galvanisé	Ciseau
GTH18G100GV	1 (25)						
GTH18G116GV	1-3/16 (30)						
GTH18G137GV	1-3/8 (35)						
GTH18G150GV	1-1/2 (38)						

Scannez le code QR pour voir la sélection complète des dispositifs de fixation Bosch.



Assemblage

⚠ AVERTISSEMENT Débranchez le bloc-piles de l'outil avant d'effectuer tout assemblage, ou réglage, ou recherche de la cause des problèmes, ou de changer des accessoires. Ces mesures de sécurité préventives réduisent le risque d'une mise en marche accidentelle de l'outil.

Insertion et retrait du bloc-piles

(Fig. 2)

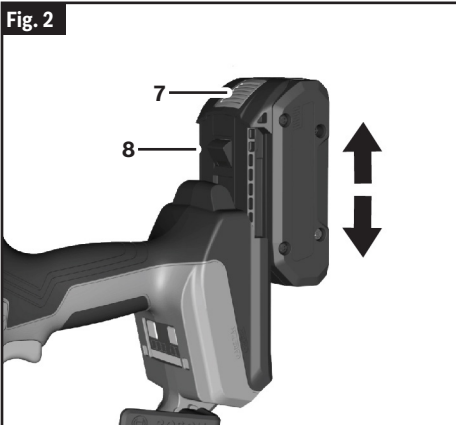
Pour insérer le bloc-piles

1. Faites glisser le bloc-piles **8** chargé dans le boîtier jusqu'à ce que le bloc-piles se verrouille en position.

Votre outil est équipé d'un loquet de verrouillage secondaire qui empêche le bloc-piles de se détacher complètement de la poignée si elle se desserrait sous l'effet des vibrations.

Pour retirer le bloc-piles

1. Appuyez sur le bouton d'éjection du bloc-piles **7** et faites glisser le bloc-piles **8** hors du boîtier.
2. Appuyez à nouveau sur le bouton d'éjection du bloc-piles **7** et faites glisser le bloc-piles **8** complètement hors du boîtier de l'outil.



Crochet utilitaire

(Fig. 3)

⚠ AVERTISSEMENT N'utilisez pas le crochet utilitaire ou son emplacement de montage pour y placer des attachements. Le crochet utilitaire et son emplacement de montage ne sont pas destinés à supporter des charges.

⚠ AVERTISSEMENT N'utilisez pas le crochet utilitaire s'il semble endommagé ou déformé. Un crochet utilitaire endommagé ou déformé peut entraîner une suspension instable et une chute inattendue de l'outil pouvant causer des dommages matériels et des blessures.

L'agrafeuse est équipée d'un crochet utilitaire **11** préinstallé qui peut être retiré, puis installé de l'autre côté de l'agrafeuse ; assurez-vous que la vis est correctement serrée.

Retrait du crochet utilitaire

À l'aide d'une clé hexagonale de 4 mm, retirez la vis située sur le côté opposé du crochet utilitaire **11**. Le crochet utilitaire **11** pourra alors être remonté de l'autre côté de l'agrafeuse ; assurez-vous que la vis est correctement serrée.



Assemblage

Tampon ne laissant pas de marques

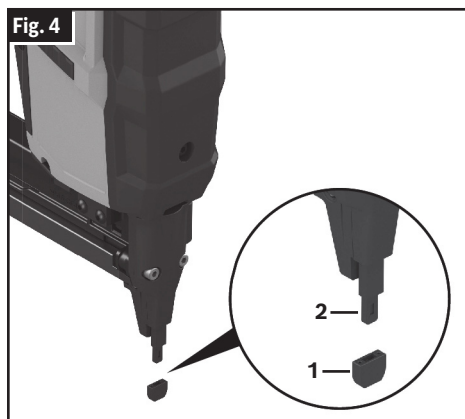
Remplacement du tampon ne laissant pas de marques

(Fig. 2, Fig. 4)

L'agrafeuse est équipée d'un tampon ne laissant pas de marques **1** préinstallé qui peut être remplacé lorsqu'il est utilisé.

Pour remplacer le tampon ne laissant pas de marques **1** :

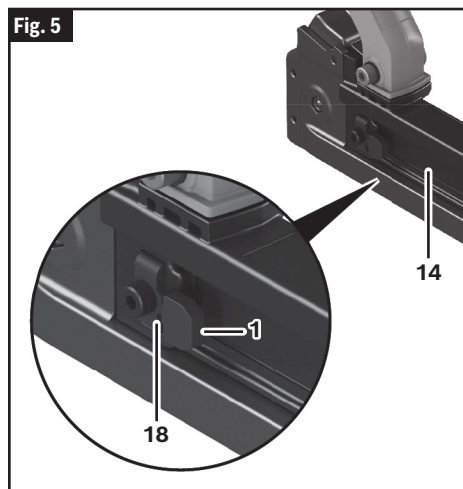
1. Retirez le bloc-piles **8**.
2. Placez l'agrafeuse sur une surface plane et stable, et dirigez-la dans le sens opposé à vous-même et aux autres personnes.
3. Retirez le tampon ne laissant pas de marques **1** de l'extrémité du contact avec la pièce à travailler **2**.
4. Installez le nouveau tampon ne laissant pas de marques **1** sur l'extrémité du contact avec la pièce à travailler **2**.



Stockage du tampon ne laissant pas de marques

(Fig. 5)

Un tampon ne laissant pas de marques de rechange **1** peut être rangé sur l'outil pour en faciliter l'accès. Insérez le tampon ne laissant pas de marques **1** dans l'emplacement de rangement du tampon ne laissant pas de marques **18**, qui est situé à l'extrémité de la glissière du magasin **14**.



Opération

⚠ AVERTISSEMENT En plus des consignes de sécurité des pages 26 à 30, respectez toujours les mesures de sécurité suivantes. Le non-respect de ces consignes pourrait entraîner des dommages matériels ou des blessures.

⚠ AVERTISSEMENT Débranchez le bloc-piles de l'outil avant d'effectuer tout assemblage ou réglage, ou de changer des accessoires. Ces mesures de sécurité préventives réduisent le risque d'une mise en marche accidentelle de l'outil.

⚠ AVERTISSEMENT Utilisez des équipements de sécurité personnelle. Portez toujours une protection oculaire. Le port d'équipements de sécurité tels que des masques antipoussières, des chaussures de sécurité antidérapantes, des casques de chantier et des protecteurs d'oreilles dans des conditions appropriées réduira le risque de blessure corporelle.

Inspections et tests quotidiens

(Fig. 1, Fig. 2)

⚠ AVERTISSEMENT Il ne faut pas utiliser l'agrafeuse si elle n'a pas été inspectée et testée quotidiennement, et si son fonctionnement n'a pas été jugé satisfaisant. L'utilisation d'une agrafeuse qui n'a pas passé l'inspection et le test quotidiens de façon satisfaisante peut entraîner des dommages matériels et des blessures.

1. Retirez le bloc-piles **8** et toutes les éléments de fixation du chargeur **12**.
2. Inspectez toutes les vis, tous les boulons, tous les écrous et toutes les goupilles de l'agrafeuse. Tous les éléments de fixation desserrés doivent être resserrés.
3. Appuyez le contact avec la pièce à usiner **2** contre une pièce à usiner. Il doit se déplacer en douceur.
4. Le contact avec la pièce à travailler **2** étant appuyé contre la pièce à travailler, appuyez sur la gâchette **5**. L'agrafeuse ne doit pas fonctionner alors.
5. Insérez le bloc-piles **8**, assurez-vous qu'il n'y a pas d'éléments de fixation dans le magasin **12**, puis mettez l'agrafeuse sous tension.
6. Sans tirer sur la gâchette **5**, appuyez le contact avec la pièce à travailler **2** contre une pièce à travailler. L'agrafeuse ne doit pas fonctionner alors.
7. Tirez le contact avec la pièce à usiner **2** pour l'éloigner de la pièce à usiner, afin qu'il se réinitialise. Tirez sur la gâchette **5**. L'agrafeuse ne doit pas fonctionner, et l'indicateur d'état de fonctionnement **20** clignote en rouge.
8. Continuez à tirer et à tenir la gâchette **5**, et poussez le contact avec la pièce à usiner **2** contre une pièce à usiner. L'agrafeuse ne doit pas fonctionner, et

l'indicateur d'état de fonctionnement **20** clignote en rouge.

9. Si les inspections confirment le bon fonctionnement, l'agrafeuse est prête à l'emploi.

Chargement et déchargement du magasin

⚠ AVERTISSEMENT Il ne faut pas tirer sur la gâchette ni appuyer sur le contact avec la pièce à travailler lors du chargement ou du déchargement de l'agrafeuse. Le fait de tirer sur la gâchette ou d'appuyer sur le contact avec la pièce à usiner peut entraîner une mauvaise mise en marche de l'outil et provoquer des blessures et des dommages matériels.

Chargement du magasin

(Fig. 2, Fig. 6, Fig. 7, Fig. 8)

Lors du chargement du magasin **12**, vérifiez que la glissière du magasin **14** coulisse facilement. Si la glissière du magasin **14** ne coulisse pas facilement, les éléments de fixation peuvent être enfoncés à des angles irréguliers, ou l'agrafeuse risque de tirer à vide.

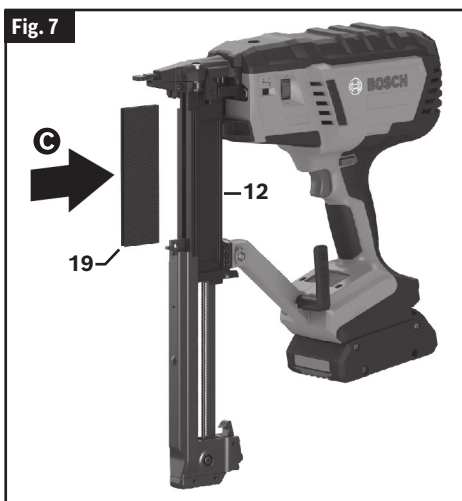
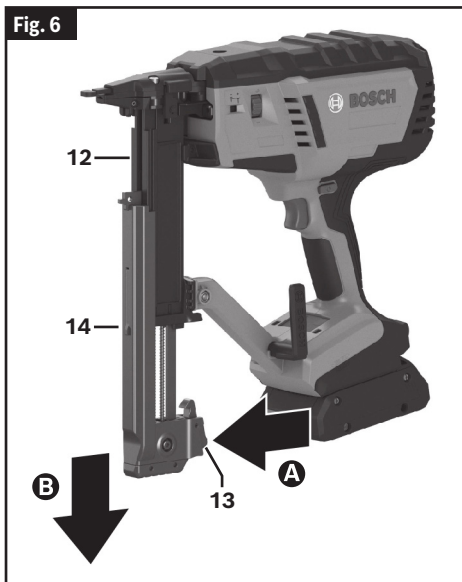
Utilisez des bandes de dispositifs de fixation **19** qui ne sont pas brisés et qui ont des dispositifs de fixation de la même désignation.

1. Retirez le bloc-piles **8**.
2. Veillez à ce que le magasin **12** ne comporte pas de débris, tels que de la poussière produite par le sciage.
3. Placez l'agrafeuse sur une surface plane et stable, et dirigez-la dans le sens opposé à vous-même et aux autres personnes.
4. Appuyez sur le bouton d'éjection du magasin **13** **A** et tirez la glissière du magasin **14** jusqu'à l'extrémité du magasin **12** **B**.
5. Insérer la ou les bandes de fixation **19** assemblées dans l'avant du magasin **12** de manière à ce que la pointe des agrafes soit orientée vers l'extérieur **C**.
6. Poussez lentement la glissière du magasin **14** dans le magasin **12** jusqu'à ce qu'elle s'enclenche en place **D**.

Opération

⚠ AVERTISSEMENT Guidez la glissière du magasin à la main jusqu'à ce qu'elle atteigne sa position la plus avancée. Le recul libre de la glissière du magasin peut endommager la glissière ou le magasin, ou causer des blessures.

Remarque : Pour obtenir les meilleures performances possibles, utilisez des agrafes de marque Bosch, comme indiqué dans la section « Sélection des dispositifs de fixation » à la page 35.

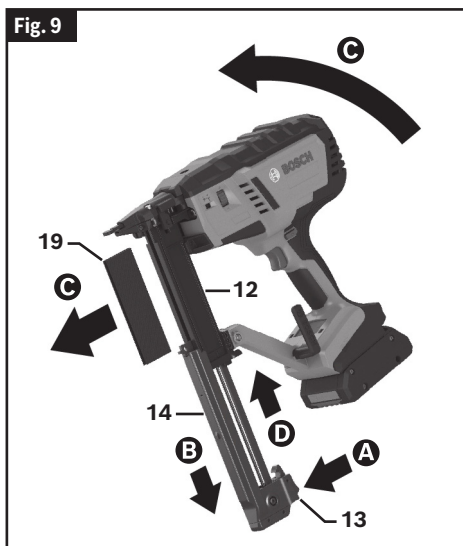


Déchargement du magasin

(Fig. 2, Fig. 6, Fig. 8, Fig. 9)

1. Retirez le bloc-piles **8**.
2. Placez l'agrafeuse sur une surface plane et stable, et dirigez-la dans le sens opposé à vous-même et aux autres personnes.
3. Appuyez sur le bouton d'éjection du magasin **13** **A** et tirez la glissière du magasin **14** jusqu'à l'extrémité du magasin **12** **B**.
4. Retirez la ou les bandes d'éléments de fixation **19** du magasin **12** **C**.
5. Poussez lentement la glissière du magasin **14** dans le magasin **12** jusqu'à ce qu'elle s'enclenche en place **D**.

⚠ AVERTISSEMENT Guidez la glissière du magasin à la main jusqu'à ce qu'elle atteigne sa position la plus avancée. Le recul libre de la glissière du magasin peut endommager la glissière ou le magasin, ou causer des blessures.



Verrouillage de la fonction de tir à sec

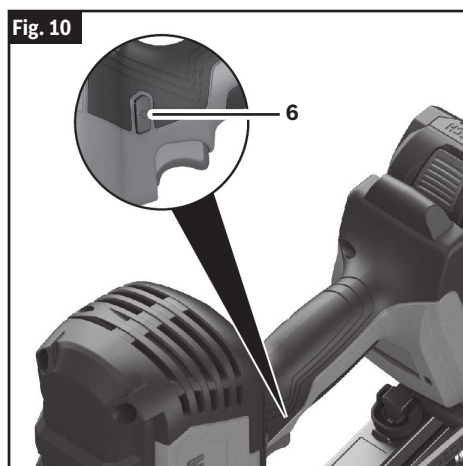
L'agrafeuse est équipée d'un dispositif de verrouillage de tir à vide. Le verrouillage de la fonction de tir à sec empêche le tir lorsqu'il ne reste que 5 éléments de fixation dans le chargeur assemblé.

Bouton de mise sous tension/hors tension

(Fig. 1, Fig. 10)

Pour mettre l'agrafeuse sous tension, appuyez sur le bouton de mise sous tension/hors tension **6**, et l'interface utilisateur **9** s'allumera.

Pour mettre l'agrafeuse hors tension, appuyez sur le bouton de mise sous tension **6**.

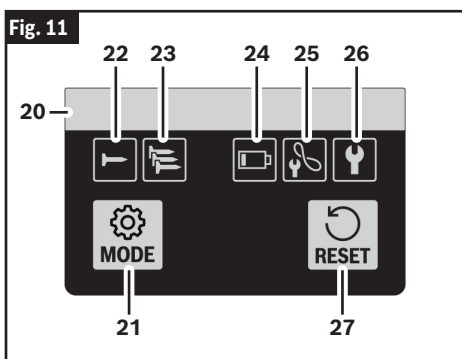


Interface utilisateur

(Fig. 1, Fig. 2, Fig. 11)

L'interface utilisateur 1 offre les fonctions suivantes :

- Indicateur d'état de fonctionnement **20**
- Bouton de mode **21**
- Indicateur d'actionnement unique **22**
- Indicateur d'actionnement à percussion **23**
- Indicateur de décharge partielle des piles **24**
- Indicateur d'échéance pour une opération d'entretien standard **25**
- Indicateur d'échéance pour une opération d'entretien ponctuelle importante **26**
- Bouton de réinitialisation **27**



Indicateur d'état de fonctionnement

Le voyant d'état de fonctionnement **20** indique l'état de fonctionnement de l'agrafeuse. Un voyant vert indique que l'agrafeuse est prête à fonctionner. Un voyant vert indique que la cloueuse est prête à fonctionner. Si la couleur du voyant de l'indicateur d'état de fonctionnement **20** n'est pas verte, consultez la section « Recherche de la cause des problèmes » à la page 46 pour plus d'informations.

Bouton de mode

Le bouton de mode **21** permet de basculer entre les modes d'actionnement unique et d'actionnement par percussion. La sélection sera indiquée par l'indicateur d'actionnement unique **22** ou l'indicateur d'actionnement par percussion **23**.

Indicateur de décharge partielle des piles

L'indicateur de décharge partielle des piles **24** ne s'allume que lorsque le niveau de charge des piles est de 20 % ou moins. Un voyant indicateur jaune de décharge partielle

des piles **24** signifie que les piles sont chargées à 1-20 % de leur capacité totale. Un voyant indicateur rouge de décharge partielle des piles **24** signifie que les piles sont chargées à 0-1 % de leur capacité totale.

Indicateurs d'échéances pour des opérations d'entretien standard et d'échéances pour des opérations d'entretien ponctuelles importantes

L'indicateur d'échéance pour une opération d'entretien standard **25** ou l'indicateur d'échéance pour une opération d'entretien ponctuelle importante **26** s'allume lorsque l'agrafeuse a atteint un certain nombre de décharges. Il est recommandé de rapporter l'agrafeuse, le bloc-piles et le chargeur à un centre de service après-vente BOSCH en vue d'inspection et/ou de réparation.

Bouton de réinitialisation

Le bouton de réinitialisation **27** est utilisé pour remettre l'agrafeuse dans un état normal après qu'une condition anormale a été corrigée. Pour réinitialiser l'agrafeuse, appuyez sur le bouton de réinitialisation **27** et maintenez-le enfoncé pendant trois secondes.

Consultez la section « Recherche de la cause des problèmes » à la page 46 pour plus d'informations sur la réinitialisation de l'agrafeuse.

Opération

Commutateur de réglage de la profondeur

(Fig. 12)

La profondeur à laquelle les éléments de fixation sont enfoncés dans la pièce à travailler peut être réglée à l'aide de la molette de réglage de la profondeur **4** qui est située sur le côté de l'agrafeuse. Utilisez l'indicateur de réglage de la profondeur **3** pour déterminer le réglage actuel de la profondeur de l'agrafeuse.

Tournez la molette de réglage de la profondeur **4** vers le bas pour diminuer la profondeur d'enfoncement.

Tournez la molette de réglage de la profondeur **4** vers le haut pour augmenter la profondeur d'enfoncement.

Lampe de travail

(Fig. 1, Fig. 2)

Votre agrafeuse est munie d'une lampe de travail à DEL **10** pour améliorer la visibilité lorsque vous utilisez l'agrafeuse.

La DEL restera allumée pendant 10 secondes après que l'interrupteur **5** aura été enfoncé.

Actionnement de l'agrafeuse

⚠ AVERTISSEMENT L'embout avant doit être en contact total avec la surface de travail. L'écart entre l'embout avant et la surface de travail peut entraîner une déviation de l'élément de fixation ainsi que des dommages matériels ou des blessures corporelles.

⚠ AVERTISSEMENT Ne coincez jamais le nez entre deux surfaces ou plus. Un espace entre le nez et plusieurs surfaces de travail peut permettre une déviation de la fixation et des dommages matériels ou des blessures.

⚠ AVERTISSEMENT Ne retenez jamais le nez pendant le fonctionnement. Retenir l'embout peut entraîner un actionnement inattendu et causer des dommages matériels ou des blessures graves.

⚠ AVERTISSEMENT Ne placez jamais votre visage ou votre corps au-dessus du capuchon supérieur de l'agrafeuse pendant son fonctionnement. Un recul soudain peut entraîner un impact sur le corps et des blessures.

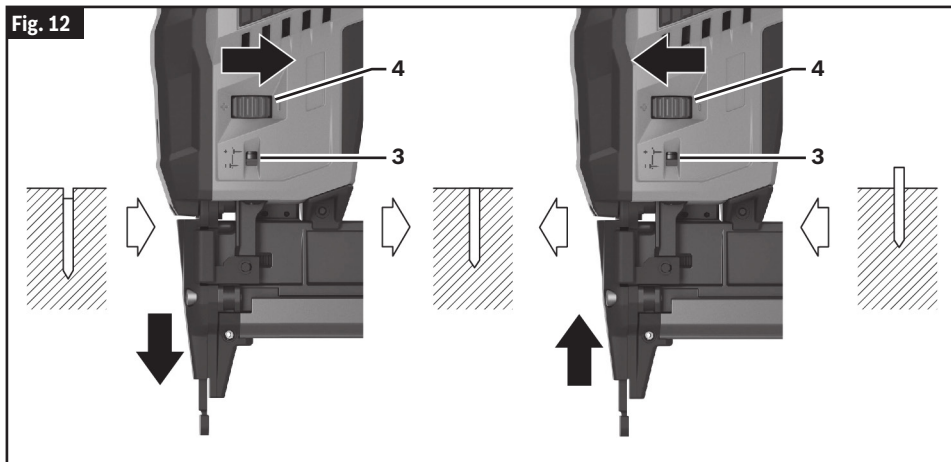
Cette cloueuse peut fonctionner en mode d'actionnement séquentiel unique ou par contact (percussion). Suivez la section correspondante afin d'obtenir les instructions correctes pour l'utilisation.

Remarque : L'agrafeuse s'éteint après 30 minutes d'inactivité.

Actionnement séquentiel unique

(Fig. 1, Fig. 11, Fig. 13)

1. Charger le magasin **12**. Voir la section « Chargement et déchargement du magasin » à la page 38.



Opération

2. Insérez le bloc-piles **7**.
3. Appuyez sur le bouton de mise sous tension/hors tension **6** pour activer l'agrafeuse.
4. Assurez-vous que l'agrafeuse est en mode d'actionnement unique en vérifiant l'indicateur sur l'interface utilisateur **9**.
5. Saisissez fermement la poignée **17** et maintenez l'agrafeuse sur la surface de travail.
6. Appuyez complètement le contact avec la pièce à usiner **2** contre la surface de travail **A**. Si le contact avec la pièce à travailler **2** n'est pas complètement enfoncé dans l'agrafeuse, celle-ci ne se déclenchera pas.
7. Tirez sur la gâchette **5** **B** pour enfoncer le dispositif de fixation dans la surface de travail. La gâchette **5** doit être actionnée dans les 5 secondes qui suivent l'enfoncement complet du contact avec la pièce à usiner **2**. Si la gâchette **5** est tirée plus tard, l'agrafeuse repassera dans un mode de SÉCURITÉ, et la séquence d'actionnement doit être répétée.
8. L'agrafeuse recule une fois que l'élément de fixation est enfoncé dans la surface de travail. Utilisez une prise suffisante pour maintenir le contrôle et l'alignement de l'agrafeuse sur la surface de travail pendant le tir et le recul.
9. Relâchez la gâchette **5** et tirez sur l'agrafeuse pour l'éloigner du plan de travail.
10. Pour enfoncer un autre dispositif de fixation, la gâchette **5** et le contact avec la pièce à usiner **2** doivent être relâchés, et la séquence de déclenchement, étapes 5 à 7, doit être répétée.

Actionnement par contact (percussion)

(Fig. 1, Fig. 11, Fig. 14)

1. Chargez le magasin **12**. Voir la section intitulée « Chargement et déchargement du magasin » à la page 38.
2. Insérez le bloc-piles **7**.
3. Appuyez sur le bouton de mise sous tension/hors tension **6** pour activer l'agrafeuse.
4. Sur l'interface utilisateur **9**, appuyez sur le bouton de mode **21** pour passer en mode d'activation par percussion ; l'indicateur d'activation du mode à percussion **23** s'allumera.
5. Saisissez fermement la poignée **17** et tirez sur la gâchette **5** pour activer l'agrafeuse **A**.
6. Appuyez complètement le contact avec la pièce à usiner **2** contre la surface de travail **B** pour enfoncer le dispositif de fixation ; ne relâchez pas la gâchette **5**. Le contact avec la pièce à usiner **2** doit être complètement enfoncé dans les 5 secondes qui suivent l'actionnement de la gâchette **5**. Si le contact avec la pièce à travailler **2** est enfoncé ultérieurement, l'agrafeuse repassera dans un mode de SÉCURITÉ, et la séquence d'actionnement devra être répétée. Si le contact avec la pièce à travailler **2** n'est pas complètement enfoncé dans l'agrafeuse, celle-ci ne se déclenchera pas.
7. L'agrafeuse recule une fois que l'élément de fixation est enfoncé dans la surface de travail. Utilisez une prise suffisante pour maintenir le contrôle et l'alignement de l'agrafeuse sur la surface de travail pendant le tir et le recul.
8. Continuez à maintenir la gâchette **5**, et tirez sur l'agrafeuse pour l'éloigner de la surface de travail.
9. Pour déclencher un autre dispositif de fixation, appuyez sur le contact avec la pièce à usiner **2** à l'emplacement de déclenchement suivant ; cette étape peut être répétée tant que la gâchette **5** est maintenue enfoncée en permanence. Une fois la gâchette relâchée, les étapes 5 à 8 doivent être répétées.

Fig. 13

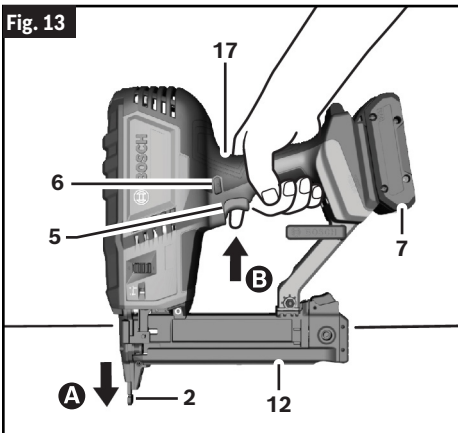
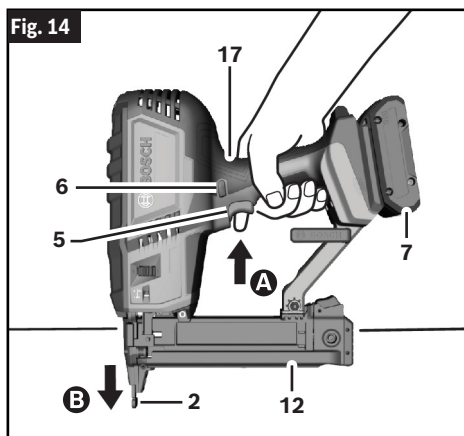


Fig. 14



⚠ AVERTISSEMENT Pour éviter le risque d'accidents, débranchez le bloc-piles de l'outil avant de procéder au nettoyage ou à l'entretien.

⚠ AVERTISSEMENT Ne dirigez pas l'outil vers vous-même ou vers une autre personne se trouvant à proximité. Un déclenchement inattendu entraînera l'éjection de l'élément de fixation et causera des blessures.

Maintenance générale

Maintenez votre agrafeuse, votre bloc-piles et votre chargeur en bon état de fonctionnement en adoptant un programme d'entretien régulier. Inspectez votre agrafeuse pour vous assurer que les pièces en mouvement sont bien alignées et qu'elles ne se coincent pas, qu'il n'y a pas de pièces cassées ou qu'il n'existe aucune situation pouvant affecter le fonctionnement de l'agrafeuse.

Cette agrafeuse ne contient pas de pièces pouvant être réparées par un utilisateur.

Il est recommandé, après six mois ou un an, en fonction de l'utilisation, de renvoyer l'agrafeuse, le bloc-piles et le chargeur à un centre de service après-vente BOSCH en vue d'inspection.

Si l'agrafeuse ne démarre pas ou ne fonctionne pas à pleine puissance avec un bloc-piles entièrement chargé, nettoyez les contacts du bloc-piles. Si l'agrafeuse ne fonctionne toujours pas correctement, renvoyez l'agrafeuse, le chargeur et le bloc-piles à un centre de service après-vente BOSCH pour les faire réparer.

Service

⚠ WARNING NIL N'EXISTE À L'INTÉRIEUR AUCUNE PIÈCE SUSCEPTIBLE D'ÊTRE ENTRETENUE PAR L'UTILISATEUR. L'entretien préventif exécuté par des personnes non autorisés peut entraîner un positionnement erroné des composants et des fils internes, ce qui peut présenter de graves dangers. Nous recommandons de confier toute intervention d'entretien sur l'outil à un centre de service-usine Bosch ou à un centre de service après-vente Bosch agréé.

Nettoyage

Nettoyez la poussière et les débris de tous les événements et chargeurs d'éléments de fixation. Maintenez l'agrafeuse propre, sèche et exempte d'huile ou de graisse. N'utilisez que du savon doux et un chiffon humide pour nettoyer le boîtier, car certains agents de nettoyage et solvants sont nocifs pour les plastiques et autres pièces isolées. Il s'agit notamment de l'essence, de la térébenthine, des diluants pour laque, des diluants pour peinture, des solvants de nettoyage chlorés, de l'ammoniac et des détergents ménagers contenant de l'ammoniac. N'utilisez jamais de solvants inflammables ou combustibles à proximité des outils.

Retirez l'adhésif de collationnement et nettoyez la poussière accumulée dans le magasin pour permettre aux éléments de fixation d'avancer en douceur.

Réparations

Pour les réparations, renvoyez l'agrafeuse, le bloc-piles et le chargeur au centre de service après-vente Bosch le plus proche ou à un point de service Bosch agréé.

Recherche de la cause des problèmes

Déblocage d'obstructions

Suivez la procédure d'élimination des coincements lorsqu'un dispositif de fixation est coincé :

1. Mettez l'agrafeuse hors tension en appuyant sur le bouton de mise sous tension/hors tension **6**.
2. Détachez le bloc-piles **8** de l'agrafeuse.
3. Inclinez l'agrafeuse vers l'avant pour retirer tous les éléments de fixation du magasin **12**. Voir la section « Chargement et déchargement du magasin » à la page 38.
4. Retirez l'élément de fixation coincé ; utilisez une pince à bec effilé si nécessaire.

5. Remplissez le magasin **12**. Voir la section intitulée « Chargement et déchargement du magasin » à la page 38.

6. Après avoir éliminé le coincement, suivez la section « Inspections et tests quotidiens » à la page 38 pour assurer le fonctionnement normal de l'agrafeuse.

REMARQUE : Si la lame de l'appareil ne revient pas en position haute, retirez le bloc-piles **8** et contactez un centre de service après-vente Bosch ou une station de réparation agréée par Bosch.

Couleur de la DEL	Statut de l'indicateur	Signification	Solution
Vert	Éclairage continu	L'agrafeuse est sous tension et fonctionne. Les conditions sont normales.	L'agrafeuse est prête à l'emploi
Rouge	Éclairage continu	La température du bloc-piles et de l'outil est trop élevée/basse.	Laissez la pile et/ou l'agrafeuse atteindre la température de fonctionnement autorisée. Voir la section intitulée « Specifications » à la page 34.
		Erreur interne.	Retournez l'outil au centre de service après-vente Bosch pour le faire réparer.
	Éclairage clignotant	L'opération séquentielle n'a pas été effectuée correctement.	L'état de fonctionnement se réinitialise automatiquement sur « prêt » et s'affichera en vert au bout d'un moment. Voir la section « Actionnement de l'agrafeuse » à la page 42 pour obtenir un fonctionnement séquentiel correct.
		La gâchette n'a pas été actionnée dans les 5 secondes qui ont suivi l'enfoncement du contact avec la pièce.	
Yellow	Éclairage continu	Le bloc-piles n'est pas complètement chargé.	Chargez le bloc-piles ou remplacez-le par un autre bloc-piles complètement chargé.
		L'indicateur d'échéance pour une opération d'entretien standard est allumé.	Retournez l'outil au centre de service après-vente Bosch pour le faire réparer.
		L'indicateur d'échéance pour une opération d'entretien ponctuelle importante est allumé.	Retournez l'outil au centre de service après-vente Bosch pour le faire réparer.

Recherche de la cause des problèmes

Problème	Cause	Action corrective
L'agrafeuse ne fonctionne pas. Il n'y a pas d'actionnement.	Pas de pile insérée, pile déchargée.	Insérez une pile chargée.
	Température de la pile et de l'outil trop basse.	Laissez la pile et l'outil se réchauffer suffisamment pour atteindre la température ambiante de fonctionnement.
	L'agrafeuse n'est pas sous tension.	Appuyez sur le bouton de marche/arrêt et maintenez-le enfoncé pendant 1,5 seconde.
	L'opération séquentielle ne s'est pas déroulée correctement.	Voir la section « Actionnement de l'agrafeuse » à la page 42.
	Le contact avec la pièce à usiner n'est pas complètement enfoncé.	Voir la section « Actionnement de l'agrafeuse » à la page 42.
	Le verrouillage de la fonctionnalité de tir à vide est activé, nombre minimum de dispositifs de fixation laissés dans le magasin.	Remplissez le magasin. Voir « Chargement du magasin » à la page 38.
	Le dispositif de fixation est coincé.	Voir « Déblocage d'obstructions » à la page 46.
	Fasteners used are not approved.	N'utilisez que des dispositifs de fixation approuvés. Voir « Sélection des dispositifs de fixation » à la page 35.
	Magazine is empty.	Remplissez le magasin. Voir « Chargement du magasin » à la page 38.
Le dispositif de fixation est coincé.	Présence de débris ou de saletés, ou coincement du dispositif de fixation dans la pointe de l'outil et/ou dans le magasin.	Voir la section intitulée « Déblocage d'obstructions » à la page 46.
Éléments de fixation insuffisamment enfoncés	La profondeur d'enfoncement sélectionnée n'est pas suffisante.	Réglez la molette de réglage de la profondeur pour augmenter la profondeur d'enfoncement. Voir « Commutateur de réglage de la profondeur » à la page 42.
	L'élément de fixation est trop long.	N'utilisez que des dispositifs de fixation approuvés. Voir « Specifications » à la page 34, « Sélection des dispositifs de fixation » à la page 35.
	La pile est déchargée ou défectueuse.	Insérer la pile chargée. Voir « Pour insérer le bloc-piles » à la page 36.

Recherche de la cause des problèmes

Problème	Cause	Action corrective
Éléments de fixation excessivement enfoncés	La profondeur d'enfoncement sélectionnée est excessive.	Ajustez la molette de réglage de la profondeur pour diminuer la profondeur d'enfoncement. Voir « Commutateur de réglage de la profondeur » à la page 42.
	L'élément de fixation est trop court.	N'utilisez que des dispositifs de fixation approuvés. Voir « Specifications » à la page 34, « Sélection des dispositifs de fixation » à la page 35.
Les dispositifs de fixation entraînés se plient ou se cassent.	L'élément de fixation est trop long.	Sélectionnez le dispositif de fixation le plus court selon le tableau « Sélection des dispositifs de fixation » à la page 35.
	La cloueuse saute des dispositifs de fixation ou a une avance de cycle trop importante.	Utilisez l'agrafeuse uniquement sur du bois et des produits en bois.
	La lame de l'outil est endommagée.	Retournez l'outil au centre de service après-vente Bosch pour le faire réparer.
L'agrafeuse saute des éléments de fixation ou a une avance de cycle trop importante.	Les dispositifs de fixation utilisés ne sont pas approuvés.	N'utilisez que des dispositifs de fixation approuvés. Voir le tableau « Specifications » à la page 34.
Fastener are frequently jamming.	Les dispositifs de fixation utilisés ne sont pas approuvés.	N'utilisez que des dispositifs de fixation approuvés. Voir le tableau « Specifications » à la page 34.
	Les dispositifs de fixation sont anciens ; l'adhérence entre les dispositifs de fixation est usée.	Utilisez de nouvelles bandes de dispositifs de fixation.
Les éléments de fixation ne glissent pas dans le chargeur.	Poussière ou débris dans le chargeur.	Inspectez le magasin et éliminez toute accumulation de matières résiduelles ou tout corps étranger.

Símbolos de seguridad

Las definiciones que aparecen a continuación describen el nivel de gravedad de cada palabra de aviso. Por favor, lea el manual y preste atención a estos símbolos.





	<p>Este es el símbolo de alerta de seguridad. Se utiliza para alertarle a usted de posibles peligros de lesiones corporales. Obedezca todos los mensajes de seguridad que sigan a este símbolo para evitar posibles lesiones o la muerte.</p>
	<p>PELIGRO indica una situación peligrosa que, si no se evita, causará la muerte o lesiones graves.</p>
	<p>ADVERTENCIA indica una situación peligrosa que, si no se evita, podría causar la muerte o lesiones graves.</p>
	<p>PRECAUCIÓN indica una situación peligrosa que, si no se evita, podría causar lesiones leves o moderadas.</p>

Tabla de contenido

Advertencias generales de seguridad para herramientas eléctricas	50	Mantenimiento	68
Advertencia de seguridad para grapadoras inalámbricas	52	Mantenimiento general	68
Advertencias de seguridad adicionales	52	Servicio de ajustes y reparaciones	68
Eliminación	54	Limpieza	68
Uso previsto	54	Reparaciones	68
Símbolos	55	Resolución de problemas	69
Familiarización con su grapadora de grapas de corona estrecha GTH18V-18M	56	Despeje de atoramientos	69
Especificaciones	57		
Selección de sujetadores	58		
Ensamblaje	59		
Inserción y remoción del paquete de batería ...	59		
Gancho utilitario	59		
Almohadilla antimarcas	60		
Operación	61		
Inspección y pruebas diarias	61		
Carga y descarga del cargador de sujetadores	61		
Bloqueo de disparos en seco	63		
Botón de encendido y apagado	63		
Interfaz del usuario	64		
Interruptor de ajuste de profundidad	65		
Luz de trabajo	65		
Accionamiento de la grapadora	65		

Advertencias generales de seguridad para herramientas eléctricas

⚠ ADVERTENCIA Lisez toutes les consignes de sécurité, instructions, illustrations et spécifications fournies avec cet outil électrique. Le non-respect de toutes les instructions figurant ci-après pourrait causer un choc électrique, un incendie et/ou des blessures graves.

CONSERVEZ TOUS LES AVERTISSEMENTS ET TOUTES LES INSTRUCTIONS POUR RÉFÉRENCE FUTURE.

Le terme « outil électrique » dans les avertissements fait référence à votre outil électrique à cordon d'alimentation électrique branché dans une prise secteur ou à votre outil électrique à piles (sans fil).

1. Seguridad en el área de trabajo

- a. **Mantenga el área de trabajo limpia y bien iluminada.** Las áreas desordenadas u oscuras invitan a que se produzcan accidentes.
- b. **No utilice herramientas eléctricas en atmósferas explosivas, tales como las existentes en presencia de líquidos, gases o polvos inflamables.** Las herramientas eléctricas generan chispas, las cuales es posible que incendien los polvos o los vapores.
- c. **Mantenga alejados a los niños y a los curiosos mientras esté utilizando una herramienta eléctrica.** Las distracciones pueden hacerle perder el control de la herramienta.

2. Seguridad eléctrica

- a. **Los enchufes de las herramientas eléctricas deben coincidir con el tomacorriente. No modifique nunca el enchufe de ninguna manera. No utilice enchufes adaptadores con herramientas eléctricas conectadas a tierra (puestas a masa).** Los enchufes sin modificar y los tomacorrientes coincidentes reducirán el riesgo de descargas eléctricas.
- b. **Evite el contacto del cuerpo con superficies conectadas a tierra o puestas a masa, tales como tuberías, radiadores, estufas de cocina y refrigeradores.** Hay un mayor riesgo de descargas eléctricas si el cuerpo del operador está conectado a tierra o puestas a masa.
- c. **No exponga las herramientas eléctricas a la lluvia ni a condiciones mojadas.** La entrada de agua en una herramienta eléctrica aumentará el riesgo de descargas eléctricas.
- d. **No maltrate el cable. No use nunca el cable para transportar, jalar o desenchufar la herramienta eléctrica. Mantenga el cable alejado del calor, el aceite, los bordes afilados o las piezas móviles.** Los cables dañados o enredados aumentan el riesgo de descargas eléctricas.

- e. **Cuando utilice una herramienta eléctrica a la intemperie, utilice un cable de extensión adecuado para uso a la intemperie.** La utilización de un cable adecuado para uso a la intemperie reduce el riesgo de descargas eléctricas.
- f. **Si es inevitable utilizar una herramienta eléctrica en un lugar húmedo, utilice una fuente de alimentación protegida por un interruptor de circuito accionado por corriente de pérdida a tierra (GFCI, por sus siglas en inglés).** El uso de un GFCI reduce el riesgo de descargas eléctricas.

3. Seguridad personal

- a. **Manténgase alerta, fíjese en lo que está haciendo y use el sentido común cuando utilice una herramienta eléctrica. No utilice una herramienta eléctrica mientras esté cansado o bajo la influencia de drogas, alcohol o medicamentos.** Es posible que un momento de desatención mientras se estén utilizando herramientas eléctricas cause lesiones corporales graves.
- b. **Utilice equipo de protección personal. Use siempre protección ocular.** Los equipos protectores, tales como una máscara antipolvo, calzado de seguridad antideslizante, casco o protección de la audición, utilizados según lo requieran las condiciones, reducirán las lesiones corporales.
- c. **Prevenga los arranques accidentales. Asegúrese de que el interruptor esté en la posición de apagado antes de conectar la herramienta eléctrica a la fuente de alimentación y/o al paquete de batería, levantar la herramienta eléctrica o transportarla.** Si se transportan herramientas eléctricas con el dedo en el interruptor o si se suministra corriente a herramientas eléctricas que tengan el interruptor en la posición de encendido se invita a que se produzcan accidentes.
- d. **Retire todas las llaves de ajuste o de tuerca antes de encender la herramienta eléctrica.** Es posible que una llave de tuerca o de ajuste que se deje sujeta

CONSERVE ESTAS INSTRUCCIONES

Advertencias generales de seguridad para herramientas eléctricas

a una pieza rotativa de la herramienta eléctrica cause lesiones corporales.

- e. **No intente alcanzar demasiado lejos. Mantenga un apoyo de los pies y un equilibrio adecuados en todo momento.** Esto permite un mejor control de la herramienta eléctrica en situaciones inesperadas.
- f. **Vístase adecuadamente. No se ponga ropa holgada ni joyas. Mantenga el pelo y la ropa alejados de las piezas móviles.** La ropa holgada, las joyas o el pelo largo pueden quedar atrapados en las piezas móviles.
- g. **Si se proporcionan dispositivos para la conexión de instalaciones de extracción y recolección de polvo, asegúrese de que estas estén conectadas y se utilicen correctamente.** El uso de recolección de polvo puede reducir los peligros relacionados con el polvo.
- h. **No deje que la familiaridad obtenida con el uso frecuente de las herramientas le haga volverse complaciente e ignorar los principios de seguridad de las herramientas.** Una acción descuidada puede causar lesiones graves en una fracción de Segundo.

4. Uso y cuidado de la herramienta eléctrica

- a. **No fuerce la herramienta eléctrica. Utilice la herramienta eléctrica correcta para la aplicación que vaya a realizar.** La herramienta eléctrica correcta hará el trabajo mejor y con más seguridad a la capacidad nominal para la que fue diseñada.
- b. **No utilice la herramienta eléctrica si el interruptor no la enciende y apaga.** Cualquier herramienta eléctrica que no se pueda controlar con el interruptor es peligrosa y debe ser reparada.
- c. **Desconecte el enchufe de la fuente de alimentación y/o retire el paquete de batería de la herramienta eléctrica, si es retirable, antes de hacer cualquier ajuste, cambiar accesorios o almacenar herramientas eléctricas.** Dichas medidas preventivas de seguridad reducen el riesgo de arrancar accidentalmente la herramienta eléctrica.
- d. **Guarde las herramientas eléctricas que no esté usando fuera del alcance de los niños y no deje que las personas que no estén familiarizadas con la herramienta eléctrica o estas instrucciones utilicen la herramienta eléctrica.** Las herramientas eléctricas son peligrosas en las manos de los usuarios no capacitados.

- e. **Realice mantenimiento de las herramientas eléctricas y los accesorios. Compruebe si hay desalineación o atoramiento de las piezas móviles, rotura de piezas y cualquier otra situación que pueda afectar al funcionamiento de la herramienta eléctrica. Si la herramienta eléctrica está dañada, haga que la reparen antes de utilizarla.** Muchos accidentes son causados por herramientas eléctricas que reciben un mantenimiento deficiente.
- f. **Mantenga las herramientas de corte afiladas y limpias.** Las herramientas de corte mantenidas adecuadamente, con bordes de corte afilados, tienen menos probabilidades de atorarse y son más fáciles de controlar.
- g. **Utilice la herramienta eléctrica, los accesorios y las brocas de la herramienta, etc., de acuerdo con estas instrucciones, teniendo en cuenta las condiciones de trabajo y el trabajo que se vaya a realizar.** El uso de la herramienta eléctrica para operaciones distintas a las previstas podría causar una situación peligrosa.
- h. **Mantenga los mangos y las superficies de agarre secos, limpios y libres de aceite y grasa.** Los mangos resbalosos y las superficies de agarre resbalosas no permiten un manejo y un control seguros de la herramienta en situaciones inesperadas.

5. Uso y cuidado de las herramientas a batería

- a. **Recargue el paquete de batería solo con el cargador especificado por el fabricante.** Es posible que un cargador que sea adecuado para un tipo de paquete de batería cree un riesgo de incendio cuando se utilice con otro paquete de batería.
- b. **Utilice las herramientas eléctricas solo con paquetes de batería designados específicamente.** Es posible que el uso de cualquier otro paquete de batería cree un riesgo de lesiones e incendio.
- c. **Cuando el paquete de batería no se esté utilizando, manténgalo alejado de otros objetos metálicos, tales como clips sujetapapeles, monedas, llaves, clavos, tornillos u otros objetos metálicos pequeños, que puedan hacer una conexión de un terminal al otro.** Si se cortocircuitan juntos los terminales de la batería, es posible que se causen quemaduras o un incendio.
- d. **En condiciones abusivas es posible que se expulse líquido de la batería; evite el contacto.**

CONSERVE ESTAS INSTRUCCIONES

Advertencias generales de seguridad para herramientas eléctricas

Si se produce contacto accidentalmente, enjuáguese con agua. Si el líquido entra en contacto con los ojos, obtenga además ayuda médica. Es posible que el líquido expulsado de la batería cause irritación o quemaduras.

- e. **No utilice un paquete de batería o una herramienta que estén dañados o modificados.** Es posible que las baterías dañadas o modificadas exhiban un comportamiento imprevisible que cause incendio, EXPLOSIÓN o riesgo de lesiones.
- f. **No exponga un paquete de batería o una herramienta a un fuego o a una temperatura excesiva.** Es posible que la exposición a un fuego o a una temperatura superior a 265 °F (130 °C) cause una explosión.
- g. **Siga todas las instrucciones de carga y no cargue el paquete de batería ni la herramienta fuera del intervalo de temperatura especificado en las instrucciones.** Es posible que la realización de la

carga de manera inadecuada o a temperaturas que estén fuera del intervalo especificado dañe la batería y aumente el riesgo de incendio.

- h. **Servicio de ajustes y reparaciones**
- i. **Haga que su herramienta eléctrica reciba servicio de ajustes y reparaciones por un técnico de reparaciones calificado que utilice únicamente piezas de repuesto idénticas.** Esto garantizará que se mantenga la seguridad de la herramienta eléctrica.
- j. **No haga nunca servicio de ajustes y reparaciones de paquetes de batería dañados.** El servicio de ajustes y reparaciones de los paquetes de batería deberá ser realizado solo por el fabricante o por proveedores de servicio autorizados.

Advertencia de seguridad para grapadoras inalámbricas

- a. **Suponga siempre que la herramienta contiene sujetadores.** Un manejo descuidado de la herramienta puede causar un disparo inesperado de sujetadores y lesiones corporales.
- b. **No apunte la herramienta hacia usted ni hacia ninguna otra persona que esté cerca.** Un accionamiento inesperado del gatillo descargará el sujetador y con ello causará una lesión.
- c. **No accione la herramienta a menos que esté colocada firmemente contra la pieza de trabajo.** Si la herramienta no está en contacto con la pieza de trabajo, es posible que el sujetador sea desviado alejándose de dicha pieza.
- d. **Desconecte la herramienta de la fuente de alimentación cuando el sujetador se atore en la herramienta.** Mientras se esté retirando un

sujetador atorado, es posible que la grapadora sea activada accidentalmente si está enchufada.

- e. **Tenga precaución cuando retire un sujetador atorado.** Es posible que el mecanismo esté bajo compresión y que el sujetador sea descargado con fuerza mientras se intenta solucionar una situación de atoramiento.
- f. **No utilice esta clavadora para fijar cables eléctricos.** No está diseñada para la instalación de cables eléctricos y es posible que dañe el aislamiento de los cables eléctricos y con ello cause peligros de descargas eléctricas o incendio.

Advertencias de seguridad adicionales

No dispare sujetadores hacia el interior de paredes o pisos sin asegurarse de que el área ubicada en lado opuesto esté despejada. Un sujetador podría desplazarse atravesando la superficie de trabajo y con ello causar daños materiales o lesiones.

No clave sujetadores en paredes, pisos u otras áreas de trabajo sin saber lo que pueda ser dañado por el sujetador que se esté clavando. Los sujetadores clavados en cables eléctricos que tengan corriente, plomería, tuberías de gas u otros tipos de obstrucciones pueden causar electrocución, explosión, lesiones corporales y/o daños materiales.

CONSERVE ESTAS INSTRUCCIONES

Advertencias de seguridad adicionales

Agarre la herramienta eléctrica por las superficies de agarre con aislamiento identificadas cuando realice una operación en la que es posible que el sujetador entre en contacto con cables ocultos. Es posible que los sujetadores que entren en contacto con un cable que tenga corriente hagan que las partes metálicas de la herramienta eléctrica que estén al descubierto tengan corriente y eso cause descargas eléctricas o electrocución.

No manipule indebidamente, ni retire o haga que los controles operativos de la grapadora se vuelvan inoperables. Los controles de la grapadora que falten o funcionen incorrectamente pueden causar un accionamiento inesperado y lesiones corporales.

No mantenga nunca un dedo en el gatillo cuando no esté clavando sujetadores o cuando esté transportando la herramienta. Transporte la herramienta solo por la empuñadura. Mantener un dedo en el gatillo cuando se transporte la herramienta, o cuando no se estén clavando sujetadores, puede causar un accionamiento accidental del gatillo y lesiones corporales.

Cuando cargue sujetadores, asegúrese de que las cabezas de los sujetadores se alineen con la pieza frontal de la herramienta. Si los sujetadores no están alineados con la pieza frontal, es posible que la herramienta se atore o dispare fallidamente, causando daños materiales o lesiones.

Utilice solo los sujetadores que cumplan con los criterios indicados en la sección “Especificaciones” de este manual. Los sujetadores no identificados para utilizarse con esta herramienta pueden hacer que la herramienta funcione incorrectamente y produzca un riesgo de lesiones y/o daños a la herramienta.

Mantenga las manos y los pies al menos a 8 pulgadas (200 mm) de distancia de la pieza frontal de la herramienta durante el uso. Es posible que los sujetadores se desvíen y causen daños materiales o lesiones corporales.

No clave un sujetador encima de otro sujetador. Esto podría hacer que el sujetador sea desviado o que la herramienta reaccione de manera inesperada y cause lesiones.

No haga payasadas. Los sujetadores descargados son proyectiles capaces de causar lesiones graves.

No accione nunca la grapadora, a menos que esté perpendicular a la superficie de la pieza de trabajo y que dicha superficie esté libre de residuos. Es posible que el sujetador sea desviado si la grapadora no está en contacto adecuado con la pieza de trabajo, lo cual tendrá como resultado daños materiales o lesiones corporales.

No clave sujetadores en materiales que no sean adecuados. Los materiales que sean demasiado duros pueden hacer que el sujetador se desvíe. Los materiales frágiles pueden desmoronarse y permitir que el sujetador los atraviese. Los materiales que sean demasiado blandos pueden permitir que el sujetador los atraviese. Estas condiciones pueden causar daños materiales o lesiones corporales graves.

No apriete el gatillo ni presione la pieza frontal cuando esté cargando la grapadora. Es posible que apretar el gatillo o presionar la pieza frontal cause un disparo fallido de la herramienta y eso tenga como resultado lesiones corporales y daños materiales.

No utilice el gancho utilitario ni su ubicación de montaje para aditamentos con cable de retención. El gancho utilitario y su ubicación de montaje no están diseñados para soportar cargas con cable de retención.

No utilice el gancho utilitario si parece estar dañado o deformado. Es posible que un gancho utilitario dañado o deformado tenga como resultado una suspensión inestable y que la herramienta se caiga inesperadamente, causando daños materiales y lesiones corporales.

No coloque nunca en cuña la pieza frontal entre dos o más superficies. Es posible que la holgura entre la pieza frontal y múltiples piezas de trabajo permita una desviación del sujetador y eso cause daños materiales o lesiones corporales.

No retenga nunca en posición hacia atrás la pieza frontal durante la utilización. Si se retiene en posición hacia atrás la pieza frontal, se puede causar un accionamiento inesperado y es posible que eso cause daños materiales o lesiones corporales.

No posicione nunca la cara o el cuerpo sobre la grapadora durante su utilización. La grapadora retrocederá cuando se esté clavando un sujetador.

ADVERTENCIA No utilice la grapadora si no pasa la inspección y las pruebas diarias. Es posible que la utilización de una grapadora que no pase la inspección y las pruebas diarias tenga como resultado daños materiales y lesiones corporales.

ADVERTENCIA Para reducir el riesgo de lesiones, use siempre gafas protectoras o anteojos con protectores laterales. El operador y otras personas en el área de trabajo deben usar protección para los ojos de acuerdo con ANSI Z87.1. La protección ocular no se adapta a todos los operadores de la misma manera.



CONSERVE ESTAS INSTRUCCIONES

Advertencias de seguridad adicionales

Asegúrese de que la protección para los ojos elegida tenga protectores laterales o brinde protección contra escombros voladores tanto desde el frente como desde los lados. El empleador es responsable de hacer cumplir el uso de protección ocular por parte del operador y otras personas en el área de trabajo. Cuando sea necesario, use protección para la cabeza de acuerdo con ANSI Z89.1.

⚠ ADVERTENCIA Cierta polvos generados por las operaciones de lijado, aserrado, amolado y taladrado con herramientas eléctricas, así como por otras actividades de construcción, contienen sustancias químicas que se sabe que causan cáncer, defectos de nacimiento u otros daños sobre la reproducción. Algunos ejemplos de estas sustancias químicas son:

- Plomo procedente de pinturas a base de plomo,
- Sílice cristalina procedente de ladrillos y cemento y otros productos de mampostería, y
- Arsénico y cromo procedentes de madera de construcción tratada químicamente.

El riesgo para usted por causa de estas exposiciones varía, dependiendo de qué tan a menudo realice este tipo de trabajo. Para reducir su exposición a estas sustancias químicas: trabaje en un área bien ventilada y trabaje con equipo de seguridad aprobado, tal como máscaras antipolvo que estén diseñadas especialmente para impedir mediante filtración el paso de partículas microscópicas.

Eliminación

Esta sección es parte del compromiso de Robert Bosch Tool Corporation de preservar nuestro medio ambiente y conservar nuestros recursos naturales.

Eliminación de herramientas

¡No deseche las herramientas eléctricas y las baterías/baterías recargables en la basura doméstica!

Eliminación de las baterías

No intente desarmar la batería ni quitar ninguno de los com ponentes que sobresalen de los terminales de la batería. Se pueden producir lesiones o un incendio. Antes de desecharla, proteja los terminales que están al descubierto con cinta adhesiva aislante gruesa para prevenir cortocircuitos.

Baterías de iones de litio

Si este producto está equipado con una batería de iones de litio, dicha batería debe recogerse, reciclarse o eliminarse de manera segura para el medio ambiente.



“El sello de reciclaje de baterías RBRC certificado por la EPA que se encuentra en la batería de iones de litio (ion Li) indica que Robert Bosch Tool Corporation está participando voluntariamente en un programa de la industria para recoger y reciclar estas baterías al final de su vida útil, cuando se retiran de servicio en los Estados Unidos y Canadá. El programa RBRC proporciona una alternativa conveniente a tirar las baterías de ion Li usadas a la basura o a la corriente municipal de aguas residuales, lo cual quizás sea ilegal en su área.

Tenga la amabilidad de llamar al 1-800-8-BATTERY para obtener información acerca de las prohibiciones/restricciones sobre el reciclaje y la eliminación de baterías de ion Li en su lugar o devuelva las baterías a un Centro de servicio Bosch/Dremel para reciclarlas. La participación de Robert Bosch Tool Corporation en este programa es parte de nuestro compromiso hacia preservar nuestro medio ambiente y conservar nuestros recursos naturales.”

Uso previsto

⚠ ADVERTENCIA Utilice esta grapadora solo tal como está previsto. Es posible que un uso no previsto tenga como resultado lesiones corporales o daños materiales.

Esta es una herramienta inalámbrica clavadora manual de sujetadores operada por accionamiento secuencial sencillo o por contacto (golpeo). Está diseñada para clavar sujetadores fabricados especialmente en madera y productos de madera.

Utilice solo sujetadores aprobados en combinación con su correspondiente guía de sujetadores (consulte las







secciones tituladas “Especificaciones” en la página 57 y “Selección de sujetadores” en la página 58).

Esta herramienta no está diseñada para la instalación de cables eléctricos.

CONSERVE ESTAS INSTRUCCIONES

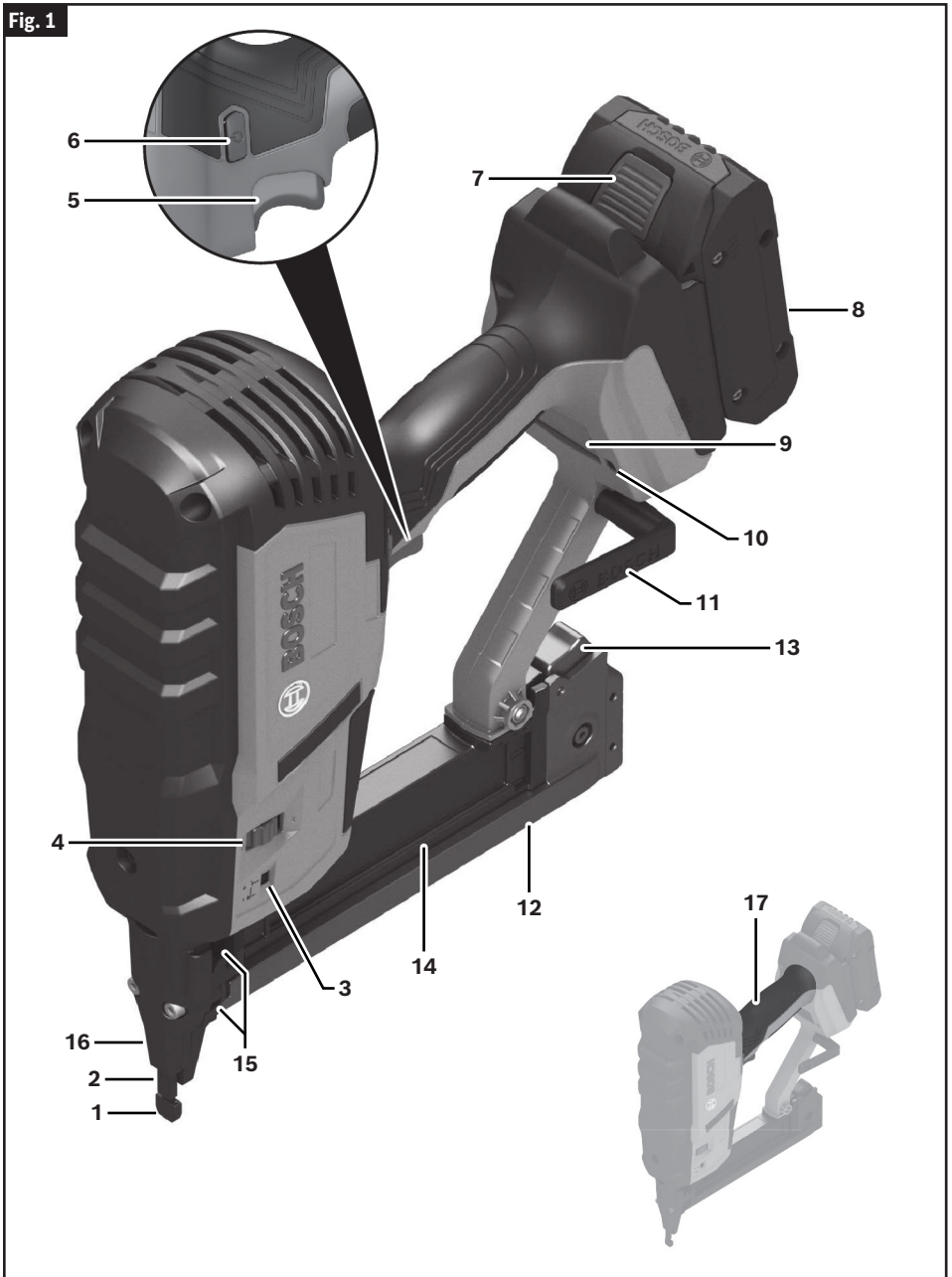
Símbolos

Importante: Es posible que se utilicen algunos de los siguientes símbolos en esta herramienta. Por favor, estúdielos y aprenda su significado. La interpretación correcta de estos símbolos le permitirá utilizar la herramienta mejor y de manera más segura.

Symbole	Désignation/Explication
V	Volts (tension)
A	Ampere (corriente)
Hz	Hertz (frecuencia, ciclos por segundo)
W	Watt (potencia)
min	Minutes (temps)
s	Secondes (temps)
mm	Millimètre (dimension)
F	Fahrenheit (température)
C	Celsius (température)
	Courant continu (type ou caractéristique du courant)
	Alerta al usuario para que lea el manual.
	Alerta al usuario para que use protección ocular.
	Alerta al usuario de un peligro de ponchadura.
	Este símbolo indica que esta herramienta está homologada por Underwriters Laboratories, conforme a las normas estadounidenses y canadienses.
	Designa un programa de reciclaje de baterías de ion Li.

Familiarización con su grapadora de grapas de corona estrecha GTH18V-18M

Fig. 1



Familiarización con su grapadora de grapas de corona estrecha GTH18V-18M

- | | |
|--|--|
| 1 Almohadilla antimarcas | 11 Luz de trabajo LED |
| 2 Contacto con la pieza de trabajo | 12 Gancho utilitario |
| 3 Pestillo de despeje de atoramientos | 13 Cargador |
| 4 Indicador de ajuste de profundidad | 14 Botón de liberación del cargador de sujetadores |
| 5 Rueda de ajuste de profundidad | 15 Deslizador del cargador de sujetadores |
| 6 Gatillo | 16 Ventana de capacidad del cargador de sujetadores |
| 7 Botón de ENCENDIDO y APAGADO | 17 Pieza frontal |
| 8 Botón de liberación del paquete de batería | 18 Empuñadura (superficie de agarre con aislamiento) |
| 9 Paquete de batería | |
| 10 Interfaz del usuario | |

Especificaciones

Número de modèle	GNH18V-15MA
Tensión nominal	18 V ===
Tipo de motor	CC sin escobillas
Ángulo de intercalación	0°
Anchura de la corona de los sujetadores	1/4 pulgadas (6,35 mm)
Intervalo de longitud de los sujetadores	3/8 pulgadas - 1-1/2 pulgadas (10 - 38 mm)
Diámetro de las patas de los sujetadores	Calibre 18 (1,2 mm)
Capacidad del cargador de sujetadores	105 sujetadores
Temperatura permitida de la batería durante el proceso de carga	+32...+113°F (0...+45°C)
Temperatura ambiente permitida de la batería durante el proceso de carga	+32...+95°F (0...+35°C)
Temperatura ambiente permitida durante la utilización** y el almacenamiento	-4...+122°F (-20...+50°C)

* Utilizando paquetes de batería Core de 18 V de 4,0, 8,0 y 12 Ah

** La clavadora no funcionará a menos de 23 °F (-5 °C) ni a más de 122 °F (50 °C).

Paquetes de batería/cargadores

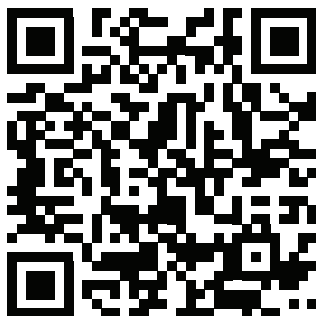
Sírvase consultar la lista de baterías/cargadores, incluida con su herramienta.

Selección de sujetadores

Para obtener el mejor rendimiento, utilice los siguientes sujetadores Bosch para la aplicación prevista.

Designación	Longitud pulgadas (mm)	Anchura de la corona, pulgadas (mm)	Calibre (mm)	Ángulo de intercalación	Material de intercalación	Material	Tipo de punta
GTH18G062GV	5/8 (16)	1/4 (6,35)	18 (1,2)	0°	Adhésif	Acier galvanisé	Cinzel
GTH18G100GV	1 (25)						
GTH18G116GV	1-3/16 (30)						
GTH18G137GV	1-3/8 (35)						
GTH18G150GV	1-1/2 (38)						

Escanee el código QR para ver la selección completa de sujetadores Bosch.



Ensamblaje

⚠ ADVERTENCIA Desconecte el paquete de batería de la herramienta antes de hacer realizar **ensamblaje, ajustes o resolución de problemas, o cambiar accesorios**. Dichas medidas preventivas de seguridad reducen el riesgo de arrancar accidentalmente la herramienta, lo cual puede que tenga como resultado lesiones corporales.

Inserción y remoción del paquete de batería

(Fig. 2)

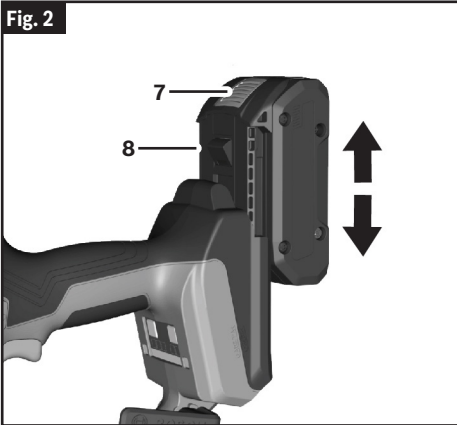
Para insertar el paquete de batería

1. Deslice el paquete de batería cargado **8** hacia el interior de la carcasa hasta que dicho paquete quede fijo en la posición correcta.

Esta herramienta está equipada con un pestillo de fijación secundario para impedir que el paquete de batería se salga y se caiga completamente de la empuñadura, en el caso de que se afloje debido a la vibración.

Para retirar el paquete de batería

1. Presione el botón de liberación del paquete de batería **7** y deslice el paquete de batería **8** para retirarlo de la carcasa.
2. Presione de nuevo el botón de liberación del paquete de batería **7** y deslice el paquete de batería **8** completamente hacia fuera de la carcasa de la herramienta.



Gancho utilitario

(Fig. 3)

⚠ ADVERTENCIA No utilice el gancho utilitario ni su ubicación de montaje para aditamentos con cable de retención. El gancho utilitario y su ubicación de montaje no están diseñados para soportar cargas con cable de retención.

⚠ ADVERTENCIA No utilice el gancho utilitario si parece estar dañado o deformado. Es posible que un gancho utilitario dañado o deformado tenga como resultado una suspensión inestable y que la herramienta se caiga inesperadamente, causando daños materiales y lesiones corporales.

La grapadora está equipada con un gancho utilitario **11** preinstalado que se puede desinstalar y luego instalar en el otro lado o desinstalar completamente de la grapadora.

Desinstalación del gancho utilitario

Utilizando una llave hexagonal de 4 mm, retire el tornillo ubicado en el lado opuesto del gancho utilitario **11**. El gancho utilitario **11** se podrá reensamblar ahora en el otro lado de la grapadora. Asegúrese de que el tornillo esté apretado correctamente.



Almohadilla antimarcas

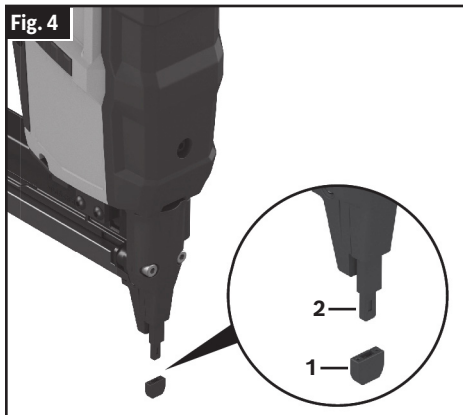
Reemplazo de la almohadilla antimarcas

(Fig. 2, Fig. 4)

La grapadora está equipada con una almohadilla antimarcas **1** preinstalada que se podrá reemplazar una vez que se haya desgastado.

Para reemplazar la almohadilla antimarcas **1**:

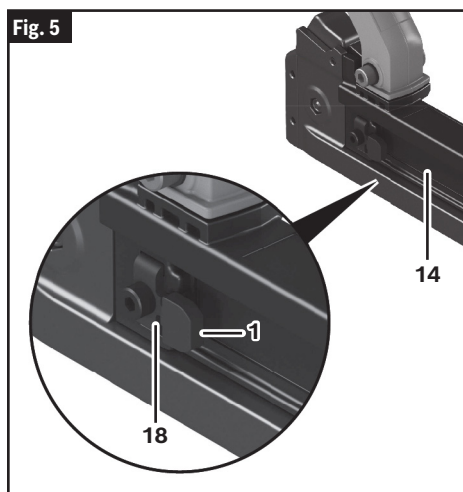
1. Retire el paquete de batería **8**.
2. Posicione la grapadora sobre una superficie plana y estable, apuntada de manera que se aleje de usted y de las personas que estén presentes.
3. Jale la almohadilla antimarcas **1** hasta separarla del extremo del contacto con la pieza de trabajo **2**.
4. Instale la almohadilla antimarcas **1** nueva en el extremo del contacto con la pieza de trabajo **2**.



Almacenamiento de la almohadilla antimarcas

(Fig. 5)

Se puede almacenar una almohadilla antimarcas **1** en la herramienta para facilitar la accesibilidad. Inserte la almohadilla antimarcas **1** en la ubicación de almacenamiento de la almohadilla antimarcas **18**, que se encuentra en el extremo del deslizador del cargador de sujetadores **14**.



⚠ ADVERTENCIA Haga caso siempre de las siguientes precauciones de seguridad, además de las instrucciones de seguridad incluidas en las páginas 50 a 54. Si no lo hace así, es posible que el resultado sea daños al equipo, daños materiales o lesiones corporales.

⚠ ADVERTENCIA Desconecte el paquete de batería de la herramienta antes de ensamblar, ajustar o cambiar accesorios. Dichas medidas preventivas de seguridad reducen el riesgo de arrancar la herramienta accidentalmente.

⚠ ADVERTENCIA No utilice la grapadora si no pasa la inspección y las pruebas diarias. Es posible que la utilización de una grapadora que no pase la inspección y las pruebas diarias tenga como resultado daños materiales y lesiones corporales.

Inspección y pruebas diarias

(Fig. 1, Fig. 2)

⚠ ADVERTENCIA No utilice la clavadora si no pasa la inspección y las pruebas diarias. Es posible que la utilización de una clavadora que no pase la inspección y las pruebas diarias cause daños materiales y lesiones corporales.

1. Retire el paquete de batería **8** y todos los sujetadores del cargador **12**.
2. Inspeccione todos los tornillos, pernos, tuercas y pasadores de la grapadora. Todos los sujetadores que estén flojos deben ser apretados.
3. Presione el contacto con la pieza de trabajo **2** contra una pieza de trabajo. Dicho contacto se debe mover suavemente.
4. Con el contacto con la pieza de trabajo **2** presionado contra la pieza de trabajo, apriete el gatillo **5**. La grapadora no debe funcionar.
5. Inserte el paquete de batería **8**, asegúrese de que no haya sujetadores en el cargador de sujetadores **12** y luego encienda la grapadora.
6. Sin jalar el gatillo **5**, presione el contacto con la pieza de trabajo **2** contra una pieza de trabajo. La grapadora no debe funcionar.
7. Jale el contacto con la pieza de trabajo **2** de manera que se aleje de la pieza de trabajo, permitiendo que se reajuste. Apriete el gatillo **5**. La grapadora no debe funcionar y el visualizador del indicador de estado **20** parpadeará en rojo.
8. Continúe apretando y mantenga apretado el gatillo **5** y empuje el contacto con la pieza de trabajo **2** contra una pieza de trabajo. La grapadora no debe funcionar y el visualizador del indicador de estado **20** parpadeará en rojo.
9. Si las inspecciones confirman que el funcionamiento es correcto, la grapadora está lista para utilizarse.

Carga y descarga del cargador de sujetadores

⚠ ADVERTENCIA No apriete el gatillo ni presione el contacto con la pieza de trabajo cuando esté cargando o descargando la grapadora. Es posible que apretar el gatillo o presionar el contacto con la pieza de trabajo cause un disparo fallido de la herramienta y eso tenga como resultado lesiones corporales y daños materiales.

Carga del cargador de sujetadores

(Fig. 2, Fig. 6, Fig. 7, Fig. 8)

Cuando cargue el cargador de sujetadores **12**, compruebe que el deslizador del cargador de sujetadores **14** se desliza suavemente. Si el seguidor del cargador de sujetadores **14** no se desliza suavemente, los sujetadores se pueden clavar con ángulos irregulares o es posible que la grapadora haga un disparo en vacío.

Utilice tiras de sujetadores **19** que no estén rotas y tengan sujetadores de la misma designación.

1. Retire el paquete de batería **8**.
2. Asegúrese de que el cargador de sujetadores **12** está libre de residuos, tales como una acumulación de aserrín.
3. Posicione la grapadora sobre una superficie plana y estable, apuntada alejándose de usted y de las personas que estén presentes.
4. Presione el botón de liberación del cargador de sujetadores **13** **A** y jale el deslizador del cargador de sujetadores **14** hasta el extremo del cargador de deslizadores **12** **B**.
5. Inserte la tira (las tiras) de sujetadores intercalados **19** a través de la parte delantera del cargador de sujetadores **12** de manera que la punta de las grapas esté orientada hacia fuera **C**.
6. Empuje lentamente el deslizador del cargador de sujetadores **14** hacia el interior del cargador de sujetadores **12** hasta que se acople con un clic en la posición correcta **D**.

Operación

⚠ ADVERTENCIA Guíe el deslizador del cargador de sujetadores a mano hasta que alcance su posición completamente hacia delante. Un retroceso libre del seguidor del cargador de sujetadores puede tener como resultado daños al seguidor o al cargador de sujetadores, o causar lesiones corporales.

Nota: Para obtener el mejor rendimiento, utilice grapas de la marca Bosch según se indica en la sección “Selección de sujetadores” de la página 58.

Fig. 6

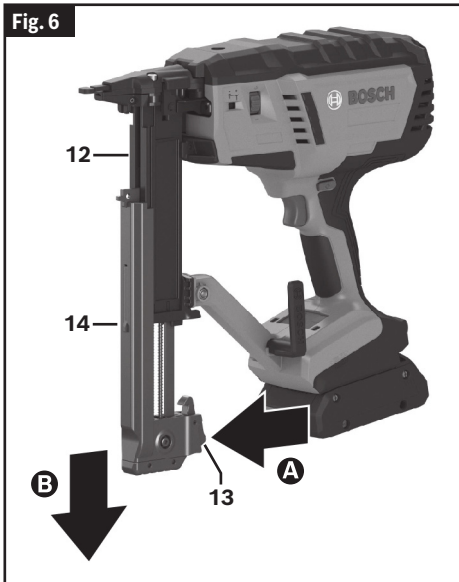


Fig. 8

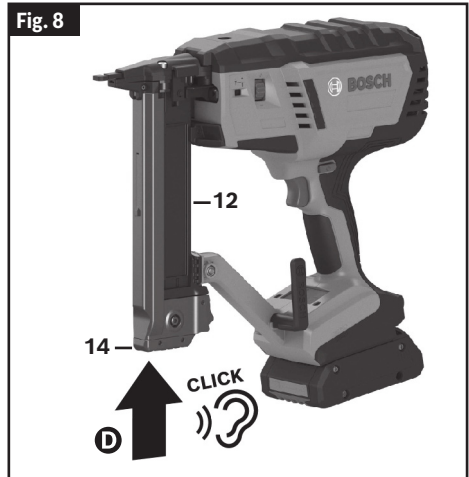
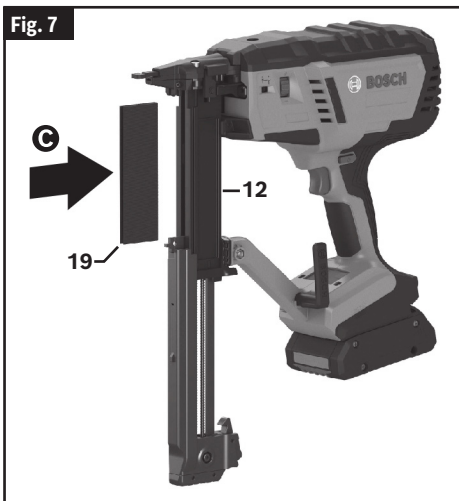


Fig. 7



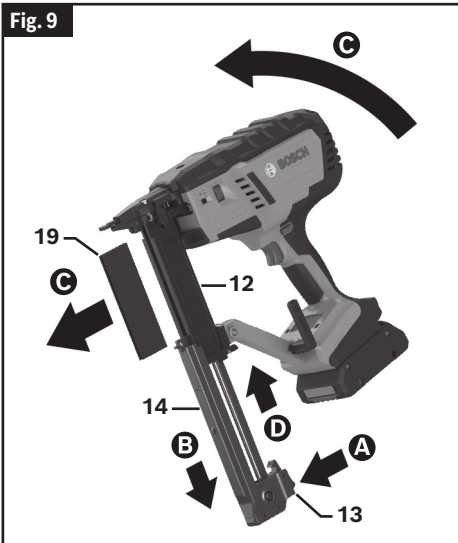
Descarga del cargador de sujetadores

(Fig. 2, Fig. 6, Fig. 8, Fig. 9)

1. Retire el paquete de batería **8**.
2. Posicione la grapadora sobre una superficie plana y estable, apuntada de manera que se aleje de usted y de las personas que estén presentes.
3. Presione el botón de liberación del cargador de sujetadores **13** **A** y jale el deslizador del cargador de sujetadores **14** hasta el extremo del cargador de sujetadores **12** **B**.
4. Incline hacia delante la grapadora para retirar la tira (las tiras) de sujetadores **19** del cargador de sujetadores **12** **C**.
5. Empuje lentamente el deslizador del cargador de sujetadores **14** hacia el interior del cargador de sujetadores **12** hasta que se acople con un clic en la posición correcta **D**.

⚠ ADVERTENCIA Guíe el deslizador del cargador de sujetadores a mano hasta que alcance su posición completamente hacia delante. Un retroceso libre del seguidor del cargador de sujetadores puede tener como resultado daños al seguidor o al cargador de sujetadores, o causar lesiones corporales.

Fig. 9



Bloqueo de disparos en seco

La grapadora está equipada con un bloqueo de disparos en seco. El bloqueo de disparos en seco previene los disparos cuando quedan 5 sujetadores en el cargador intercalado.

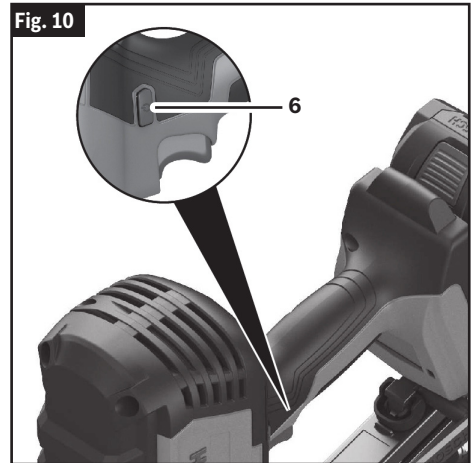
Botón de encendido y apagado

(Fig. 1, Fig. 10)

Para encender la grapadora, presione el botón de encendido y apagado **6** y la interfaz del usuario **9** se encenderá.

Para apagar la grapadora, presione el botón de encendido y apagado **6**.

Fig. 10

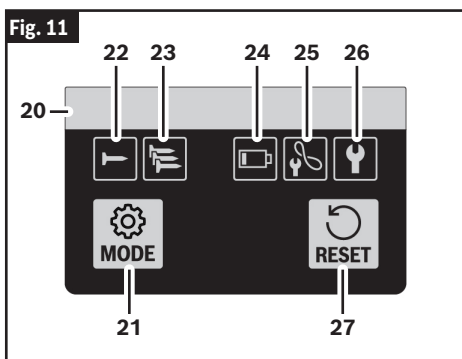


Interfaz del usuario

(Fig. 1, Fig. 2, Fig. 11)

La interfaz del usuario **9** proporciona las siguientes funciones:

- Indicador de estado **20**
- Botón de modo **21**
- Indicador de accionamiento sencillo **22**
- Indicador de accionamiento por golpeo **23**
- Indicador de batería baja **24**
- Indicador de servicio regular pendiente **25**
- Indicador de servicio importante pendiente **26**
- Botón de reajuste **27**



Indicador de estado

El indicador de estado **20** muestra el estado de la grapadora. Una luz verde indica que la grapadora está lista para utilizarse. En el caso de que el color de la luz del indicador de estado **20** no sea verde, consulte la sección "Resolución de problemas" en la página 69 para obtener información adicional.

Botón de modo

Utilice el botón de modo **21** para alternar entre los modos de descarga de accionamiento sencillo o accionamiento por golpeo. La selección será indicada ya sea por el indicador de accionamiento sencillo **22** o por el indicador de accionamiento por golpeo **23**.

Indicador de batería baja

El indicador de batería baja **24** solo se iluminará una vez que la batería haya alcanzado una carga del 20% o menos. Un indicador de batería baja **24** amarillo significa que la

batería está llena del 1 al 20%. Un indicador de batería baja **24** rojo significa que la batería está llena del 0 al 1%.

Indicadores de servicio regular pendiente y servicio importante pendiente

El indicador de servicio regular pendiente **25** o el indicador de servicio importante pendiente **26** se iluminarán una vez que la grapadora haya alcanzado una cierta cantidad de descargas. Se recomienda devolver la grapadora, el paquete de batería y el cargador de baterías a un centro de servicio BOSCH para hacer una inspección y/o servicio de ajustes y reparaciones.

Botón de reajuste

El botón de reajuste **27** se utiliza para reajustar la grapadora a un estado normal después de corregir una situación anormal. Para reajustar la grapadora, presione y mantenga presionado el botón de reajuste **27** durante 3 segundos.

Consulte la sección "Resolución de problemas" en la página 69 para obtener información adicional sobre el reajuste de la grapadora.

Interruptor de ajuste de profundidad

(Fig. 12)

La profundidad a la cual se clavan los sujetadores en la pieza de trabajo se puede ajustar utilizando la rueda de ajuste de profundidad **4** ubicada en un lado de la grapadora. Utilice el indicador de ajuste de profundidad **3** para determinar el ajuste de profundidad actual de la grapadora.

Gire hacia abajo la rueda de ajuste de profundidad **4** para reducir la profundidad de clavado.

Gire hacia arriba la rueda de ajuste de profundidad **4** para aumentar la profundidad de clavado.

Luz de trabajo

(Fig. 1, Fig. 2)

Esta grapadora está equipada con una luz de trabajo LED **10** para ofrecer una mejor visibilidad durante su utilización.

La luz LED permanecerá encendida durante 10 segundos después de presionar el gatillo **5**.

Accionamiento de la grapadora

⚠ ADVERTENCIA La pieza frontal debe estar en contacto completo con la superficie de trabajo. Es posible que la holgura entre la pieza frontal y la superficie de trabajo cause desviación del sujetador y daños materiales o lesiones corporales.

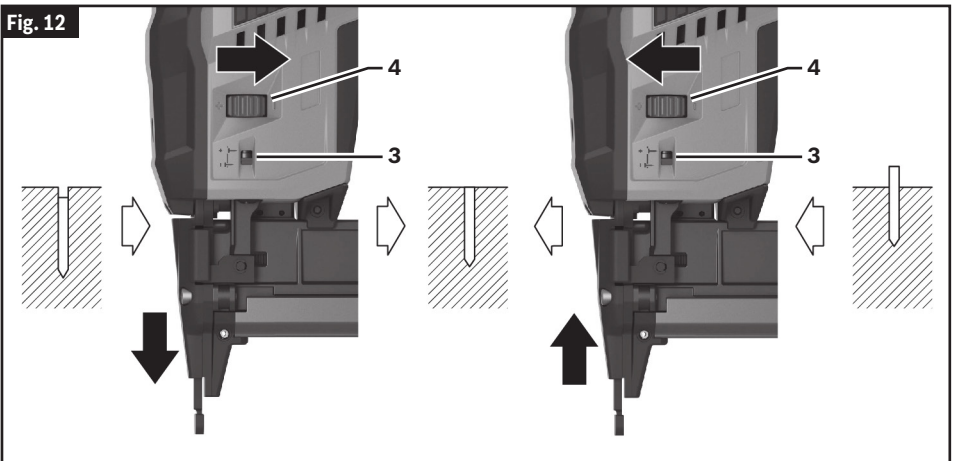
⚠ ADVERTENCIA No coloque nunca en cuña la pieza frontal entre dos o más superficies. Es posible que la holgura entre la pieza frontal y múltiples piezas de trabajo permita una desviación del sujetador y eso cause daños materiales o lesiones corporales.

⚠ ADVERTENCIA No retenga nunca en posición hacia atrás la pieza frontal durante la utilización. Si se retiene en posición hacia atrás la pieza frontal, se puede causar un accionamiento inesperado y es posible que eso cause daños materiales o lesiones corporales.

⚠ ADVERTENCIA No posicione nunca la cara o el cuerpo sobre la tapa superior de la grapadora durante su utilización. Un retroceso repentino puede tener como resultado un impacto en el cuerpo y lesiones.

Esta grapadora puede funcionar en modo de accionamiento secuencial sencillo o por contacto (golpeo). Siga la sección correspondiente para obtener las instrucciones de utilización correctas.

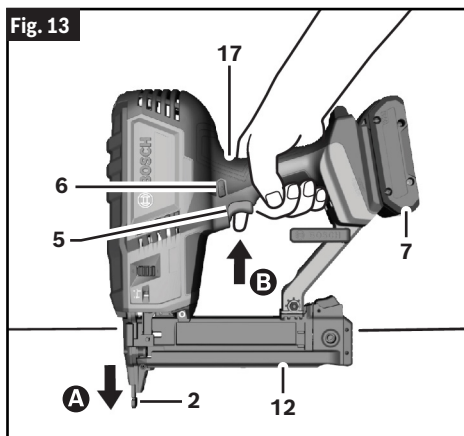
Nota: La grapadora se apagará después de 30 minutos de inactividad.



Accionamiento secuencial sencillo

(Fig. 1, Fig. 11, Fig. 13)

1. Cargue el cargador de sujetadores **12**. Consulte la sección "Carga y descarga del cargador de sujetadores" en la página 61.
2. Inserte el paquete de batería **7**.
3. Presione el botón de encendido y apagado **6** para activar la grapadora.
4. Asegúrese de que la grapadora esté en el modo de accionamiento sencillo consultando el indicador ubicado en la interfaz del usuario **9**.
5. Agarre firmemente la empuñadura **17** y sostenga la grapadora contra la superficie de trabajo.
6. Presione el contacto con la pieza de trabajo **2** completamente contra la superficie de trabajo **A**. Si el contacto con la pieza de trabajo **2** no se presiona completamente hacia el interior de la grapadora, esta no disparará.
7. Apriete el gatillo **5 B** para clavar el sujetador en la superficie de trabajo. El gatillo **5** debe ser presionado dentro del plazo de 5 segundos después de presionar completamente el contacto con la pieza de trabajo **2**. Si el gatillo **5** se aprieta más tarde, la grapadora revertirá a un modo SEGURO y habrá que repetir la secuencia de accionamiento.
8. La grapadora retrocederá después de que el sujetador se haya clavado en la superficie de trabajo. Use un agarre suficiente para mantener el control y la alineación de la grapadora con la superficie de trabajo durante el disparo y el retroceso.
9. Suelte el gatillo **5** y jale la grapadora alejándola de la superficie de trabajo.



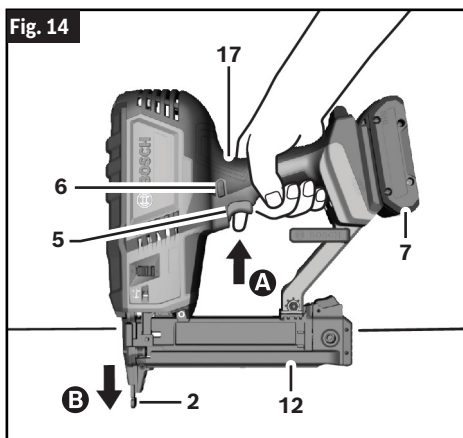
10. Para disparar otro sujetador, se deben soltar el gatillo **5** y el contacto con la pieza de trabajo **2** y se debe repetir la secuencia de disparo, pasos 5-7.

Accionamiento por contacto (golpeo)

(Fig. 1, Fig. 11, Fig. 14)

1. Cargue el cargador de sujetadores **12**. Consulte la sección "Carga y descarga del cargador de sujetadores" en la página 61.
2. Presione el botón de encendido y apagado **6** para activar la grapadora.
3. Presione el botón de encendido y apagado **6** para activar la clavadora.
4. En la interfaz del usuario **9**, presione el botón de modo **21** para encender el modo de activación por golpeo; el indicador de accionamiento por golpeo **23** se iluminará.
5. Agarre firmemente la empuñadura **17** y apriete el gatillo **5** para activar la grapadora **A**.
6. Presione el contacto con la pieza de trabajo **2** completamente contra la superficie de trabajo **B** para clavar el sujetador; no suelte el gatillo **5**. El contacto con la pieza de trabajo **2** debe ser presionado completamente dentro del plazo de 5 segundos después de presionar el gatillo **5**. Si el contacto con la pieza de trabajo **2** se presiona más tarde, la grapadora revertirá a un modo SEGURO y habrá que repetir la secuencia de accionamiento. Si el contacto con la pieza de trabajo **2** no se presiona completamente hacia el interior de la grapadora, esta no disparará.
7. La grapadora retrocederá después de que el sujetador se haya clavado en la superficie de trabajo. Use un agarre suficiente para mantener el control y la alineación de la grapadora con la superficie de trabajo durante el disparo y el retroceso.
8. Continúe manteniendo apretado el gatillo **5** y jale la grapadora alejándola de la superficie de trabajo.
9. Para disparar otro sujetador, presione el contacto con la pieza de trabajo **2** en la siguiente ubicación de disparo; este paso se podrá repetir siempre y cuando el gatillo **5** se mantenga presionado. Una vez que se suelte el gatillo, los pasos 5-8 se deben repetir.

Fig. 14



Mantenimiento

⚠ ADVERTENCIA Para evitar accidentes, siempre desconecte el paquete de baterías de la herramienta antes de limpiar o realizar cualquier mantenimiento.

⚠ ADVERTENCIA No apunte la herramienta hacia usted ni hacia ninguna otra persona que esté cerca. Un accionamiento inesperado del gatillo descargará el sujetador y con ello causará una lesión.

Mantenimiento general

Mantenga la grapadora, el paquete de batería y el cargador en buenas condiciones de funcionamiento, adoptando un programa de mantenimiento regular. Inspeccione la grapadora para determinar si hay problemas tales como ruido indebido, desalineación o atoramiento de las piezas móviles, rotura de piezas o cualquier otra situación que pueda afectar al funcionamiento de la grapadora.

Esta grapadora no contiene piezas reparables ni reemplazables por el usuario.

Se recomienda después de 6 meses a un año, dependiendo del uso, devolver la grapadora, el paquete de batería y el cargador de baterías a un centro de servicio BOSCH para que sean inspeccionados.

Si la grapadora no arranca ni funciona a su potencia máxima con un paquete de batería completamente cargado, limpie los contactos del paquete de batería. Si la grapadora sigue sin funcionar correctamente, devuelva la grapadora, el cargador de baterías y el paquete de batería a un centro de servicio BOSCH para que hagan reparaciones.

Servicio de ajustes y reparaciones

⚠ ADVERTENCIA NO HAY PIEZAS EN EL INTERIOR QUE PUEDAN SER AJUSTADAS O REPARADAS POR EL USUARIO. El mantenimiento preventivo realizado por personal no autorizado puede dar lugar a la colocación incorrecta de cables y componentes internos que podría constituir un peligro serio. Recomendamos que todo el servicio de las herramientas sea realizado en un Centro de servicio de fábrica Bosch o en una Estación de servicio Bosch autorizada.

Limpieza

Elimine el polvo y los residuos de todas las aberturas de ventilación y todos los cargadores de sujetadores. Mantenga la grapadora limpia, seca y libre de aceite o grasa. Use solo un jabón suave y un paño húmedo para limpiar la carcasa, ya que ciertos agentes de limpieza y solventes son dañinos para los plásticos y otras piezas con aislamiento. Algunos de estos incluyen gasolina, trementina, diluyente de laca, diluyente de pintura, solventes de limpieza clorados, amoníaco y detergentes domésticos que contienen amoníaco. No utilice

nunca solventes inflamables o combustibles cerca de herramientas.

Retire el adhesivo de intercalación y elimine el polvo acumulado en el cargador de sujetadores para permitir que los sujetadores avancen suavemente.

Reparaciones

Para hacer reparaciones, devuelva la grapadora, el paquete de batería y el cargador de baterías al centro de servicio Bosch más cercano o a una ubicación de Servicio Bosch Autorizada.

Resolución de problemas

Despeje de atoramientos

Siga el procedimiento de despeje de atoramientos cuando un sujetador esté atorado:

1. Apague la grapadora presionando el botón de encendido y apagado **6**.
2. Retire el paquete de batería **8** de la grapadora.
3. Inclíne hacia delante la grapadora para sacar todos los sujetadores del cargador de sujetadores **12**. Consulte la sección "Carga y descarga del cargador de sujetadores" en la página 61.
4. Retire el sujetador atorado; utilice unos alicates de punta fina en caso de que sea necesario.

5. Rellene el cargador de sujetadores **12**. Consulte la sección "Carga y descarga del cargador de sujetadores" en la página 61.

6. Después de despejar exitosamente el atoramiento, siga la sección "Inspección y pruebas diarias" en la página 61 para asegurarse de que la grapadora funcione de manera normal.

NOTA: Si la hoja impulsora no regresa a su posición hacia arriba, retire el paquete de batería **8** y contacte a un centro de servicio Bosch o una estación de servicio Bosch autorizada.

Color de la luz LED	Indicador de estado	Significado	Solución
Verde	Luz continua	La grapadora está con corriente y funcionando. Las condiciones son normales.	La grapadora está lista para utilizarse
Rojo	Luz continua	La temperatura del paquete de batería y de la herramienta es demasiado alta/baja.	Deje que la batería y/o la grapadora alcancen la temperatura de funcionamiento permitida. Consulte la sección "Especificaciones" en la página 57.
		Error interno.	Devuelva el producto a un centro de servicio Bosch para que reciba servicio de ajustes y reparaciones.
	Luz continua	El funcionamiento secuencial no se ha realizado correctamente. El gatillo no se presionó dentro del plazo de 5 segundos después de presionar el contacto con la pieza de trabajo.	El estado se reajustará automáticamente a listo y se mostrará en verde después de un momento. Consulte la sección "Accionamiento de la grapadora" en la página 65 para obtener información sobre el funcionamiento secuencial correcto.
Yellow	Luz continua	La batería no está completamente cargada.	Cargue la batería o reemplácela por una batería llena.
		La luz del indicador de servicio regular pendiente está iluminada.	Devuelva el producto a un centro de servicio Bosch para que reciba servicio de ajustes y reparaciones.
		La luz del indicador de servicio importante pendiente está iluminada.	Devuelva el producto a un centro de servicio Bosch para que reciba servicio de ajustes y reparaciones.

Resolución de problemas

Problema	Causa	Medida correctiva
La grapadora no funciona. No se produce accionamiento.	No hay batería insertada, la batería está descargada.	Inserte una batería cargada.
	La temperatura de la batería y de la herramienta es demasiado baja.	Deje que la batería y la herramienta se calienten lo suficiente para funcionar a temperatura ambiente.
	La grapadora no está encendida.	Presione el botón de ENCENDIDO y APAGADO durante 1,5 segundos.
	La operación secuencial no se ha realizado correctamente.	Consulte la sección "Accionamiento de la grapadora" en la página 65.
	El contacto con la pieza de trabajo no está completamente presionado.	Consulte la sección "Accionamiento de la grapadora" en la página 65.
	El bloqueo de disparos en seco está activado, queda una cantidad mínima de sujetadores en el cargador de sujetadores.	Rellene el cargador de sujetadores. Consulte "Carga del cargador de sujetadores" en la página 61.
	Sujetador atorado.	Consulte "Despeje de atoramientos" en la página 69.
	Los sujetadores utilizados no están aprobados.	Utilice solo sujetadores aprobados. Consulte "Selección de sujetadores" en la página 58.
Sujetador atorado.	El cargador de sujetadores está vacío.	Rellene el cargador de sujetadores. Consulte "Carga del cargador de sujetadores" en la página 61.
	Residuos, suciedad o sujetador atorado en la pieza de punta y/o el cargador de sujetadores.	Consulte la sección "Despeje de atoramientos" en la página 69.
Sujetadores clavados insuficientemente	La profundidad de clavado no está ajustada lo suficientemente profunda.	Ajuste la rueda de ajuste de profundidad para aumentar la profundidad de clavado. Consulte "Interruptor de ajuste de profundidad" en la página 65.
	El sujetador es demasiado largo.	Utilice solo sujetadores aprobados. Consulte "Especificaciones" en la página 57, "Selección de sujetadores" en la página 58.
	La batería está descargada o defectuosa.	Inserte una batería cargada. Consulte "Para insertar el paquete de batería" en la página 59.
Overdriven fasteners.	La profundidad de clavado está ajustada demasiado profundamente.	Ajuste la rueda de ajuste de profundidad para reducir la profundidad de clavado. Consulte "Interruptor de ajuste de profundidad" en la página 65.
	El sujetador es demasiado corto.	Utilice solo sujetadores aprobados. Consulte "Especificaciones" en la página 57, "Selección de sujetadores" en la página 58.

Resolución de problemas

Problema	Causa	Medida correctiva
Los sujetadores clavados se doblan o se rompen.	El sujetador es demasiado largo.	Seleccione un sujetador más corto de acuerdo con la tabla de "Selección de sujetadores" en la página 58.
	La clavadora se salta sujetadores o tiene un avance de ciclo que es demasiado grande.	Utilice la grapadora solo en madera y productos de madera.
	La hoja impulsora está dañada.	Devuelva el producto a un centro de servicio Bosch para que reciba servicio de ajustes y reparaciones.
La grapadora se salta sujetadores o tiene un avance de ciclo que es demasiado grande.	Los sujetadores utilizados no están aprobados.	Utilice solo sujetadores aprobados. Consulte la tabla "Especificaciones" en la página 57.
Fastener are frequently jamming.	Los sujetadores utilizados no están aprobados.	Utilice solo sujetadores aprobados. Consulte la tabla "Especificaciones" en la página 57.
	Los sujetadores son viejos, la adhesión entre los sujetadores está desgastada.	Utilice tiras de sujetadores nuevos.
Los sujetadores no se deslizan hacia el interior del cargador.	Polvo o residuos en el cargador.	Inspeccione el cargador de sujetadores y elimine toda acumulación de material residual o toda materia extraña.

Licenses

MIT

FreeRTOS, v10.3.1

Copyright (C) 2020 Amazon.com, Inc. or its affiliates. All Rights Reserved.

Permission is hereby granted, free of charge, to any person obtaining a copy of this software and associated documentation files (the "Software"), to deal in the Software without restriction, including without limitation the rights to use, copy, modify, merge, publish, distribute, sublicense, and/or sell copies of the Software, and to permit persons to whom the Software is furnished to do so, subject to the following conditions:

The above copyright notice and this permission notice shall be included in all copies or substantial portions of the Software.

THE SOFTWARE IS PROVIDED "AS IS", WITHOUT WARRANTY OF ANY KIND, EXPRESS OR IMPLIED, INCLUDING BUT NOT LIMITED TO THE WARRANTIES OF MERCHANTABILITY, FITNESS FOR A PARTICULAR PURPOSE AND NONINFRINGEMENT. IN NO EVENT SHALL THE AUTHORS OR COPYRIGHT HOLDERS BE LIABLE FOR ANY CLAIM, DAMAGES OR OTHER LIABILITY, WHETHER IN AN ACTION OF CONTRACT, TORT OR OTHERWISE, ARISING FROM, OUT OF OR IN CONNECTION WITH THE SOFTWARE OR THE USE OR OTHER DEALINGS IN THE SOFTWARE.

Apache-2.0

GCE-Math, Commit: 8422f5307b0498d09cf626f38acb03fe9f1efd94

Copyright 2016-2023 Keith O'Hara

Licensed under the Apache License, Version 2.0 (the "License"); you may not use this file except in compliance with the License.

You may obtain a copy of the License at <http://www.apache.org/licenses/LICENSE-2.0>

Unless required by applicable law or agreed to in writing, software distributed under the License is distributed on an "AS IS" BASIS, WITHOUT WARRANTIES OR CONDITIONS OF ANY KIND, either express or implied. See the License for the specific language governing permissions and limitations under the License.

Apache-2.0

CMSIS_5, v5.9.0

Copyright 2009-2020 Arm Limited. All rights reserved.

Licensed under the Apache License, Version 2.0 (the "License"); you may not use this file except in compliance with the License.

You may obtain a copy of the License at <http://www.apache.org/licenses/LICENSE-2.0>

Unless required by applicable law or agreed to in writing, software distributed under the License is distributed on an "AS IS" BASIS, WITHOUT WARRANTIES OR CONDITIONS OF ANY KIND, either express or implied. See the License for the specific language governing permissions and limitations under the License.

BSD-3-Clause

Infineon TLE987x DFP, v1.4.6

Copyright (c) 2015-2017, Infineon Technologies AG. All rights reserved.

Redistribution and use in source and binary forms, with or without modification, are permitted provided that the following conditions are met:

Redistributions of source code must retain the above copyright notice, this list of conditions and the following disclaimer.

Redistributions in binary form must reproduce the above copyright notice, this list of conditions and the following disclaimer in the documentation and/or other materials provided with the distribution. Neither the name of the copyright holders nor the names of its contributors may be used to endorse or promote products derived from this software without specific prior written permission.

THIS SOFTWARE IS PROVIDED BY THE COPYRIGHT HOLDERS AND CONTRIBUTORS "AS IS" AND ANY EXPRESS OR IMPLIED WARRANTIES, INCLUDING, BUT NOT LIMITED TO, THE IMPLIED WARRANTIES OF MERCHANTABILITY AND FITNESS FOR A PARTICULAR PURPOSE ARE DISCLAIMED. IN NO EVENT SHALL THE COPYRIGHT HOLDER OR CONTRIBUTORS BE LIABLE FOR ANY DIRECT, INDIRECT, INCIDENTAL, SPECIAL, EXEMPLARY, OR CONSEQUENTIAL DAMAGES (INCLUDING, BUT

NOT LIMITED TO, PROCUREMENT OF SUBSTITUTE GOODS OR SERVICES; LOSS OF USE, DATA, OR PROFITS; OR BUSINESS INTERRUPTION) HOWEVER CAUSED AND ON ANY THEORY OF LIABILITY, WHETHER IN CONTRACT, STRICT LIABILITY, OR TORT (INCLUDING NEGLIGENCE OR OTHERWISE) ARISING IN ANY WAY OUT OF THE USE OF THIS SOFTWARE, EVEN IF ADVISED OF THE POSSIBILITY OF SUCH DAMAGE.

BSD-3-Clause

cmsis_device_f0, v2.3.7

Copyright (c) 2016 STMicroelectronics. All rights reserved.

Redistribution and use in source and binary forms, with or without modification, are permitted provided that the following conditions are met:

1. Redistributions of source code must retain the above copyright notice, this list of conditions and the following disclaimer.
2. Redistributions in binary form must reproduce the above copyright notice, this list of conditions and the following disclaimer in the documentation and/or other materials provided with the distribution.
3. Neither the name of the copyright holder nor the names of its contributors may be used to endorse or promote products derived from this software without specific prior written permission.

THIS SOFTWARE IS PROVIDED BY THE COPYRIGHT HOLDERS AND CONTRIBUTORS "AS IS" AND ANY EXPRESS OR IMPLIED WARRANTIES, INCLUDING, BUT NOT LIMITED TO, THE IMPLIED WARRANTIES OF MERCHANTABILITY AND FITNESS FOR A PARTICULAR PURPOSE ARE DISCLAIMED. IN NO EVENT SHALL THE COPYRIGHT HOLDER OR CONTRIBUTORS BE LIABLE FOR ANY DIRECT, INDIRECT, INCIDENTAL, SPECIAL, EXEMPLARY, OR CONSEQUENTIAL DAMAGES (INCLUDING, BUT NOT LIMITED TO, PROCUREMENT OF SUBSTITUTE GOODS OR SERVICES; LOSS OF USE, DATA, OR PROFITS; OR BUSINESS INTERRUPTION) HOWEVER CAUSED AND ON ANY THEORY OF LIABILITY, WHETHER IN CONTRACT, STRICT LIABILITY, OR TORT (INCLUDING NEGLIGENCE OR OTHERWISE) ARISING IN ANY WAY OUT OF THE USE OF THIS SOFTWARE, EVEN IF ADVISED OF THE POSSIBILITY OF SUCH DAMAGE.

Apache-2.0

cmsis_device_g0, v1.4.0

Copyright (c) 2016 STMicroelectronics. All rights reserved.

Licensed under the Apache License, Version 2.0 (the "License"); you may not use this file except in compliance with the License.

You may obtain a copy of the License at <http://www.apache.org/licenses/LICENSE-2.0>

Unless required by applicable law or agreed to in writing, software distributed under the License is distributed on an "AS IS" BASIS, WITHOUT WARRANTIES OR CONDITIONS OF ANY KIND, either express or implied.

See the License for the specific language governing permissions and limitations under the License.

MIT

Libfixmath, Commit: 24488b16cc0359daada0682a9bd3a11a801d0a01

Copyright (c) 2011-2021 Flatmush <Flatmush@gmail.com>, Petteri Aimonen <Petteri.Aimonen@gmail.com>, & libfixmath AUTHORS libfixmath is Copyright (c) 2011-2021 Flatmush <Flatmush@gmail.com>, Petteri Aimonen <Petteri.Aimonen@gmail.com>, & libfixmath AUTHORS

Permission is hereby granted, free of charge, to any person obtaining a copy of this software and associated documentation files (the Software), to deal in the Software without restriction, including without limitation the rights to use, copy, modify, merge, publish, distribute, sublicense, and/or sell copies of the Software, and to permit persons to whom the Software is furnished to do so, subject to the following conditions:

The above copyright notice and this permission notice shall be included in all copies or substantial portions of the Software.

THE SOFTWARE IS PROVIDED AS IS, WITHOUT WARRANTY OF ANY KIND, EXPRESS OR IMPLIED, INCLUDING BUT NOT LIMITED TO THE WARRANTIES OF MERCHANTABILITY, FITNESS FOR A PARTICULAR PURPOSE AND NONINFRINGEMENT. IN NO EVENT SHALL THE AUTHORS OR COPYRIGHT HOLDERS BE LIABLE FOR ANY CLAIM, DAMAGES OR OTHER LIABILITY, WHETHER IN AN ACTION OF CONTRACT, TORT OR OTHERWISE, ARISING FROM, OUT OF OR IN CONNECTION WITH THE SOFTWARE OR THE USE OR OTHER DEALINGS IN THE SOFTWARE.

MIT

MFixedPoint, v8.0.2

Copyright 2018 Geoffrey Hunter

Permission is hereby granted, free of charge, to any person obtaining a copy of this software and associated documentation files (the "Software"), to deal in the Software without restriction, including without limitation the rights to use, copy, modify, merge, publish, distribute, sublicense, and/or sell copies of the Software, and to permit persons to whom the Software is furnished to do so, subject to the following conditions:

The above copyright notice and this permission notice shall be included in all copies or substantial portions of the Software.

THE SOFTWARE IS PROVIDED "AS IS", WITHOUT WARRANTY OF ANY KIND, EXPRESS OR IMPLIED, INCLUDING BUT NOT LIMITED TO THE WARRANTIES OF MERCHANTABILITY, FITNESS FOR A PARTICULAR PURPOSE AND NONINFRINGEMENT. IN NO EVENT SHALL THE AUTHORS OR COPYRIGHT HOLDERS BE LIABLE FOR ANY CLAIM, DAMAGES OR OTHER LIABILITY, WHETHER IN AN ACTION OF CONTRACT, TORT OR OTHERWISE, ARISING FROM, OUT OF OR IN CONNECTION WITH THE SOFTWARE OR THE USE OR OTHER DEALINGS IN THE SOFTWARE.

Zlib

NanoPb, v0.3.9.9

Copyright (c) 2011 Petteri Aimonen <jpa at nanopb.mail.kapsi.fi>

This software is provided 'as-is', without any express or implied warranty. In no event will the authors be held liable for any damages arising from the use of this software.

Permission is granted to anyone to use this software for any purpose, including commercial applications, and to alter it and redistribute it freely, subject to the following restrictions:

1. The origin of this software must not be misrepresented; you must not claim that you wrote the original software. If you use this software in a product, an acknowledgment in the product documentation would be appreciated but is not required.
2. Altered source versions must be plainly marked as such, and must not be misrepresented as being the original software.
3. This notice may not be removed or altered from any source distribution.

newlib

v3.3.0

(1) Red Hat Incorporated

Copyright (c) 1994-2009 Red Hat, Inc. All rights reserved.

This copyrighted material is made available to anyone wishing to use, modify, copy, or redistribute it subject to the terms and conditions of the BSD License. This program is distributed in the hope that it will be useful, but WITHOUT ANY WARRANTY expressed or implied, including the implied warranties of MERCHANTABILITY or FITNESS FOR A PARTICULAR PURPOSE. A copy of this license is available at <http://www.opensource.org/licenses>. Any Red Hat trademarks that are incorporated in the source code or documentation are not subject to the BSD License and may only be used or replicated with the express permission of Red Hat, Inc.

(2) University of California, Berkeley

Copyright (c) 1981-2000 The Regents of the University of California. All rights reserved.

Redistribution and use in source and binary forms, with or without modification, are permitted provided that the following conditions are met:

- Redistributions of source code must retain the above copyright notice, this list of conditions and the following disclaimer.
- Redistributions in binary form must reproduce the above copyright notice, this list of conditions and the following disclaimer in the documentation and/or other materials provided with the distribution.
- Neither the name of the University nor the names of its contributors may be used to endorse or promote products derived from this software without specific prior written permission.

THIS SOFTWARE IS PROVIDED BY THE COPYRIGHT HOLDERS AND CONTRIBUTORS "AS IS" AND ANY EXPRESS OR IMPLIED WARRANTIES, INCLUDING, BUT NOT LIMITED TO, THE IMPLIED WAR-

RANTIES OF MERCHANTABILITY AND FITNESS FOR A PARTICULAR PURPOSE ARE DISCLAIMED. IN NO EVENT SHALL THE COPYRIGHT OWNER OR CONTRIBUTORS BE LIABLE FOR ANY DIRECT, INDIRECT, INCIDENTAL, SPECIAL, EXEMPLARY, OR CONSEQUENTIAL DAMAGES (INCLUDING, BUT NOT LIMITED TO, PROCUREMENT OF SUBSTITUTE GOODS OR SERVICES; LOSS OF USE, DATA, OR PROFITS; OR BUSINESS INTERRUPTION) HOWEVER CAUSED AND ON ANY THEORY OF LIABILITY, WHETHER IN CONTRACT, STRICT LIABILITY, OR TORT (INCLUDING NEGLIGENCE OR OTHERWISE) ARISING IN ANY WAY OUT OF THE USE OF THIS SOFTWARE, EVEN IF ADVISED OF THE POSSIBILITY OF SUCH DAMAGE.

(3) David M. Gay (AT&T 1991, Lucent 1998)

David M. Gay, Copyright (c) 1991 by AT&T.

Permission to use, copy, modify, and distribute this software for any purpose without fee is hereby granted, provided that this entire notice is included in all copies of any software which is or includes a copy or modification of this software and in all copies of the supporting documentation for such software.

THIS SOFTWARE IS BEING PROVIDED "AS IS", WITHOUT ANY EXPRESS OR IMPLIED WARRANTY. IN PARTICULAR, NEITHER THE AUTHOR NOR AT&T MAKES ANY REPRESENTATION OR WARRANTY OF ANY KIND CONCERNING THE MERCHANTABILITY OF THIS SOFTWARE OR ITS FITNESS FOR ANY PARTICULAR PURPOSE.

(1003) David M. Gay (AT&T 1991, Lucent 1998)

David M. Gay, Copyright (C) 1998-2001 by Lucent Technologies. All Rights Reserved

Permission to use, copy, modify, and distribute this software and its documentation for any purpose and without fee is hereby granted, provided that the above copyright notice appear in all copies and that both that the copyright notice and this permission notice and warranty disclaimer appear in supporting documentation, and that the name of Lucent or any of its entities not be used in advertising or publicity pertaining to distribution of the software without specific, written prior permission.

LUCENT DISCLAIMS ALL WARRANTIES WITH REGARD TO THIS SOFTWARE, INCLUDING ALL IMPLIED WARRANTIES OF MERCHANTABILITY AND FITNESS. IN NO EVENT SHALL LUCENT OR ANY OF ITS ENTITIES BE LIABLE FOR ANY SPECIAL, INDIRECT OR CONSEQUENTIAL DAMAGES OR ANY DAMAGES WHATSOEVER RESULTING FROM LOSS OF USE, DATA OR PROFITS, WHETHER IN AN ACTION OF CONTRACT, NEGLIGENCE OR OTHER TORTIOUS ACTION, ARISING OUT OF OR IN CONNECTION WITH THE USE OR PERFORMANCE OF THIS SOFTWARE.

(4) Advanced Micro Devices

Copyright 1989, 1990 Advanced Micro Devices, Inc.

This software is the property of Advanced Micro Devices, Inc (AMD) which specifically grants the user the right to modify, use and distribute this software provided this notice is not removed or altered.

All other rights are reserved by AMD.

AMD MAKES NO WARRANTY OF ANY KIND, EXPRESS OR IMPLIED, WITH REGARD TO THIS SOFTWARE. IN NO EVENT SHALL AMD BE LIABLE FOR INCIDENTAL OR CONSEQUENTIAL DAMAGES IN CONNECTION WITH OR ARISING FROM THE FURNISHING, PERFORMANCE, OR USE OF THIS SOFTWARE.

So that all may benefit from your experience, please report any problems or suggestions about this software to the 29K Technical Support Center at 800-29-29-AMD (800-292-9263) in the USA, or 0800-89-1131 in the UK, or 0031-11-1129 in Japan, toll free. The direct dial number is 512-462-4118.

Advanced Micro Devices, Inc.

29K Support Products

Mail Stop 573

5900 E. Ben White Blvd.

Austin, TX 78741

800-292-9263

(7) Sun Microsystems

Copyright (C) 1993 by Sun Microsystems, Inc. All rights reserved.

Developed at SunPro, a Sun Microsystems, Inc. business.

Permission to use, copy, modify, and distribute this software is freely granted, provided that this notice is preserved.

(8) Hewlett Packard

(c) Copyright 1986 HEWLETT-PACKARD COMPANY

To anyone who acknowledges that this file is provided "AS IS" without any express or implied warranty:

permission to use, copy, modify, and distribute this file for any purpose is hereby granted without fee, provided that the above copyright notice and this notice appears in all copies, and that the name of Hewlett-Packard Company not be used in advertising or publicity pertaining to distribution of the software without specific, written prior permission. Hewlett-Packard Company makes no representations about the suitability of this software for any purpose.

(9) Hans-Peter Nilsson

Copyright (C) 2001 Hans-Peter Nilsson

Permission to use, copy, modify, and distribute this software is freely granted, provided that the above copyright notice, this notice and the following disclaimer are preserved with no changes. THIS SOFTWARE IS PROVIDED ``AS IS" AND WITHOUT ANY EXPRESS OR IMPLIED WARRANTIES, INCLUDING, WITHOUT LIMITATION, THE IMPLIED WARRANTIES OF MERCHANTABILITY AND FITNESS FOR A PARTICULAR PURPOSE.

(11) Christopher G. Demetriou

Copyright (c) 2001 Christopher G. Demetriou. All rights reserved.

Redistribution and use in source and binary forms, with or without modification, are permitted provided that the following conditions are met:

1. Redistributions of source code must retain the above copyright notice, this list of conditions and the following disclaimer.
2. Redistributions in binary form must reproduce the above copyright notice, this list of conditions and the following disclaimer in the documentation and/or other materials provided with the distribution.
3. The name of the author may not be used to endorse or promote products derived from this software without specific prior written permission.

THIS SOFTWARE IS PROVIDED BY THE AUTHOR ``AS IS" AND ANY EXPRESS OR IMPLIED WARRANTIES, INCLUDING, BUT NOT LIMITED TO, THE IMPLIED WARRANTIES OF MERCHANTABILITY AND FITNESS FOR A PARTICULAR PURPOSE ARE DISCLAIMED. IN NO EVENT SHALL THE AUTHOR BE LIABLE FOR ANY DIRECT, INDIRECT, INCIDENTAL, SPECIAL, EXEMPLARY, OR CONSEQUENTIAL DAMAGES (INCLUDING, BUT NOT LIMITED TO, PROCUREMENT OF SUBSTITUTE GOODS OR SERVICES; LOSS OF USE, DATA, OR PROFITS; OR BUSINESS INTERRUPTION) HOWEVER CAUSED AND ON ANY THEORY OF LIABILITY, WHETHER IN CONTRACT, STRICT LIABILITY, OR TORT (INCLUDING NEGLIGENCE OR OTHERWISE) ARISING IN ANY WAY OUT OF THE USE OF THIS SOFTWARE, EVEN IF ADVISED OF THE POSSIBILITY OF SUCH DAMAGE.

(12) SuperH, Inc.

Copyright 2002 SuperH, Inc. All rights reserved

This software is the property of SuperH, Inc (SuperH) which specifically grants the user the right to modify, use and distribute this software provided this notice is not removed or altered. All other rights are reserved by SuperH.

SUPERH MAKES NO WARRANTY OF ANY KIND, EXPRESS OR IMPLIED, WITH REGARD TO THIS SOFTWARE. IN NO EVENT SHALL SUPERH BE LIABLE FOR INDIRECT, SPECIAL, INCIDENTAL OR CONSEQUENTIAL DAMAGES IN CONNECTION WITH OR ARISING FROM THE FURNISHING, PERFORMANCE, OR USE OF THIS SOFTWARE.

So that all may benefit from your experience, please report any problems or suggestions about this software to the SuperH Support Center via e-mail at softwaresupport@superh.com .

SuperH, Inc.
405 River Oaks Parkway
San Jose
CA 95134
USA

(13) Royal Institute of Technology

Copyright (c) 1999 Kungliga Tekniska Högskolan (Royal Institute of Technology, Stockholm, Sweden)

All rights reserved.

Redistribution and use in source and binary forms, with or without modification, are permitted provided that the following conditions are met:

1. Redistributions of source code must retain the above copyright notice, this list of conditions and the following disclaimer.
2. Redistributions in binary form must reproduce the above copyright notice, this list of conditions and the following disclaimer in the documentation and/or other materials provided with the distribution.
3. Neither the name of KTH nor the names of its contributors may be used to endorse or promote products derived from this software without specific prior written permission.

THIS SOFTWARE IS PROVIDED BY KTH AND ITS CONTRIBUTORS ``AS IS" AND ANY EXPRESS OR IMPLIED WARRANTIES, INCLUDING, BUT NOT LIMITED TO, THE IMPLIED WARRANTIES OF MERCHANTABILITY AND FITNESS FOR A PARTICULAR PURPOSE ARE DISCLAIMED. IN NO EVENT SHALL KTH OR ITS CONTRIBUTORS BE LIABLE FOR ANY DIRECT, INDIRECT, INCIDENTAL, SPECIAL, EXEMPLARY, OR CONSEQUENTIAL DAMAGES (INCLUDING, BUT NOT LIMITED TO, PROCUREMENT OF SUBSTITUTE GOODS OR SERVICES; LOSS OF USE, DATA, OR PROFITS; OR BUSINESS INTERRUPTION) HOWEVER CAUSED AND ON ANY THEORY OF LIABILITY, WHETHER IN CONTRACT, STRICT LIABILITY, OR TORT (INCLUDING NEGLIGENCE OR OTHERWISE) ARISING IN ANY WAY OUT OF THE USE OF THIS SOFTWARE, EVEN IF ADVISED OF THE POSSIBILITY OF SUCH DAMAGE.

(14) Alexey Zelkin

Copyright (c) 2000, 2001 Alexey Zelkin <phantom@FreeBSD.org> All rights reserved.

Redistribution and use in source and binary forms, with or without modification, are permitted provided that the following conditions are met:

1. Redistributions of source code must retain the above copyright notice, this list of conditions and the following disclaimer.
2. Redistributions in binary form must reproduce the above copyright notice, this list of conditions and the following disclaimer in the documentation and/or other materials provided with the distribution.

THIS SOFTWARE IS PROVIDED BY THE AUTHOR AND CONTRIBUTORS ``AS IS" AND ANY EXPRESS OR IMPLIED WARRANTIES, INCLUDING, BUT NOT LIMITED TO, THE IMPLIED WARRANTIES OF MERCHANTABILITY AND FITNESS FOR A PARTICULAR PURPOSE ARE DISCLAIMED. IN NO EVENT SHALL THE AUTHOR OR CONTRIBUTORS BE LIABLE FOR ANY DIRECT, INDIRECT, INCIDENTAL, SPECIAL, EXEMPLARY, OR CONSEQUENTIAL DAMAGES (INCLUDING, BUT NOT LIMITED TO, PROCUREMENT OF SUBSTITUTE GOODS OR SERVICES; LOSS OF USE, DATA, OR PROFITS; OR BUSINESS INTERRUPTION) HOWEVER CAUSED AND ON ANY THEORY OF LIABILITY, WHETHER IN CONTRACT, STRICT LIABILITY, OR TORT (INCLUDING NEGLIGENCE OR OTHERWISE) ARISING IN ANY WAY OUT OF THE USE OF THIS SOFTWARE, EVEN IF ADVISED OF THE POSSIBILITY OF SUCH DAMAGE.

(15) Andrey A. Chernov

Copyright (C) 1997 by Andrey A. Chernov, Moscow, Russia. All rights reserved.

Redistribution and use in source and binary forms, with or without modification, are permitted provided that the following conditions are met:

1. Redistributions of source code must retain the above copyright notice, this list of conditions and the following disclaimer.
2. Redistributions in binary form must reproduce the above copyright notice, this list of conditions and the following disclaimer in the documentation and/or other materials provided with the distribution.

THIS SOFTWARE IS PROVIDED BY THE AUTHOR ``AS IS" AND ANY EXPRESS OR IMPLIED WARRANTIES, INCLUDING, BUT NOT LIMITED TO, THE IMPLIED WARRANTIES OF MERCHANTABILITY AND FITNESS FOR A PARTICULAR PURPOSE ARE DISCLAIMED. IN NO EVENT SHALL THE REGENTS OR CONTRIBUTORS BE LIABLE FOR ANY DIRECT, INDIRECT, INCIDENTAL, SPECIAL, EXEMPLARY, OR CONSEQUENTIAL DAMAGES (INCLUDING, BUT NOT LIMITED TO, PROCUREMENT OF SUBSTITUTE GOODS OR SERVICES; LOSS OF USE, DATA, OR PROFITS; OR BUSINESS INTERRUPTION) HOWEVER CAUSED AND ON ANY THEORY OF LIABILITY, WHETHER IN CONTRACT, STRICT LIABILITY, OR TORT (INCLUDING NEGLIGENCE OR OTHERWISE) ARISING IN ANY WAY OUT OF THE USE OF THIS SOFTWARE, EVEN IF ADVISED OF THE POSSIBILITY OF SUCH DAMAGE.

(16) FreeBSD

Copyright (c) 1997-2002 FreeBSD Project. All rights reserved.

Redistribution and use in source and binary forms, with or without modification, are permitted provided that the following conditions are met:

1. Redistributions of source code must retain the above copyright notice, this list of conditions and the following disclaimer.
2. Redistributions in binary form must reproduce the above copyright notice, this list of conditions and the following disclaimer in the documentation and/or other materials provided with the distribution.

THIS SOFTWARE IS PROVIDED BY THE AUTHOR AND CONTRIBUTORS ``AS IS'' AND ANY EXPRESS OR IMPLIED WARRANTIES, INCLUDING, BUT NOT LIMITED TO, THE IMPLIED WARRANTIES OF MERCHANTABILITY AND FITNESS FOR A PARTICULAR PURPOSE ARE DISCLAIMED. IN NO EVENT SHALL THE AUTHOR OR CONTRIBUTORS BE LIABLE FOR ANY DIRECT, INDIRECT, INCIDENTAL, SPECIAL, EXEMPLARY, OR CONSEQUENTIAL DAMAGES (INCLUDING, BUT NOT LIMITED TO, PROCUREMENT OF SUBSTITUTE GOODS OR SERVICES; LOSS OF USE, DATA, OR PROFITS; OR BUSINESS INTERRUPTION) HOWEVER CAUSED AND ON ANY THEORY OF LIABILITY, WHETHER IN CONTRACT, STRICT LIABILITY, OR TORT (INCLUDING NEGLIGENCE OR OTHERWISE) ARISING IN ANY WAY OUT OF THE USE OF THIS SOFTWARE, EVEN IF ADVISED OF THE POSSIBILITY OF SUCH DAMAGE.

(17) S. L. Moshier

Copyright (c) 1984,2000 S.L. Moshier

Permission to use, copy, modify, and distribute this software for any purpose without fee is hereby granted, provided that this entire notice is included in all copies of any software which is or includes a copy or modification of this software and in all copies of the supporting documentation for such software.

THIS SOFTWARE IS BEING PROVIDED "AS IS", WITHOUT ANY EXPRESS OR IMPLIED WARRANTY. IN PARTICULAR, THE AUTHOR MAKES NO REPRESENTATION OR WARRANTY OF ANY KIND CONCERNING THE MERCHANTABILITY OF THIS SOFTWARE OR ITS FITNESS FOR ANY PARTICULAR PURPOSE.

(18) Citrus Project

Copyright (c)1999 Citrus Project, All rights reserved.

Redistribution and use in source and binary forms, with or without modification, are permitted provided that the following conditions are met:

1. Redistributions of source code must retain the above copyright notice, this list of conditions and the following disclaimer.
2. Redistributions in binary form must reproduce the above copyright notice, this list of conditions and the following disclaimer in the documentation and/or other materials provided with the distribution.

THIS SOFTWARE IS PROVIDED BY THE AUTHOR AND CONTRIBUTORS ``AS IS'' AND ANY EXPRESS OR IMPLIED WARRANTIES, INCLUDING, BUT NOT LIMITED TO, THE IMPLIED WARRANTIES OF MERCHANTABILITY AND FITNESS FOR A PARTICULAR PURPOSE ARE DISCLAIMED. IN NO EVENT SHALL THE AUTHOR OR CONTRIBUTORS BE LIABLE FOR ANY DIRECT, INDIRECT, INCIDENTAL, SPECIAL, EXEMPLARY, OR CONSEQUENTIAL DAMAGES (INCLUDING, BUT NOT LIMITED TO, PROCUREMENT OF SUBSTITUTE GOODS OR SERVICES; LOSS OF USE, DATA, OR PROFITS; OR BUSINESS INTERRUPTION) HOWEVER CAUSED AND ON ANY THEORY OF LIABILITY, WHETHER IN CONTRACT, STRICT LIABILITY, OR TORT (INCLUDING NEGLIGENCE OR OTHERWISE) ARISING IN ANY WAY OUT OF THE USE OF THIS SOFTWARE, EVEN IF ADVISED OF THE POSSIBILITY OF SUCH DAMAGE.

(19) Todd C. Miller

Copyright (c) 1998 Todd C. Miller <Todd.Miller@courtesan.com> All rights reserved.

Redistribution and use in source and binary forms, with or without modification, are permitted provided that the following conditions are met:

1. Redistributions of source code must retain the above copyright notice, this list of conditions and the following disclaimer.
2. Redistributions in binary form must reproduce the above copyright notice, this list of conditions and the following disclaimer in the documentation and/or other materials provided with the distribution.
3. The name of the author may not be used to endorse or promote products derived from this software without specific prior written permission.

THIS SOFTWARE IS PROVIDED ``AS IS" AND ANY EXPRESS OR IMPLIED WARRANTIES, INCLUDING, BUT NOT LIMITED TO, THE IMPLIED WARRANTIES OF MERCHANTABILITY AND FITNESS FOR A PARTICULAR PURPOSE ARE DISCLAIMED. IN NO EVENT SHALL THE AUTHOR BE LIABLE FOR ANY DIRECT, INDIRECT, INCIDENTAL, SPECIAL, EXEMPLARY, OR CONSEQUENTIAL DAMAGES (INCLUDING, BUT NOT LIMITED TO, PROCUREMENT OF SUBSTITUTE GOODS OR SERVICES; LOSS OF USE, DATA, OR PROFITS; OR BUSINESS INTERRUPTION) HOWEVER CAUSED AND ON ANY THEORY OF LIABILITY, WHETHER IN CONTRACT, STRICT LIABILITY, OR TORT (INCLUDING NEGLIGENCE OR OTHERWISE) ARISING IN ANY WAY OUT OF THE USE OF THIS SOFTWARE, EVEN IF ADVISED OF THE POSSIBILITY OF SUCH DAMAGE.

(26) Mike Barcroft

Copyright (c) 2001 Mike Barcroft <mike@FreeBSD.org> All rights reserved.

Redistribution and use in source and binary forms, with or without modification, are permitted provided that the following conditions are met:

1. Redistributions of source code must retain the above copyright notice, this list of conditions and the following disclaimer.
2. Redistributions in binary form must reproduce the above copyright notice, this list of conditions and the following disclaimer in the documentation and/or other materials provided with the distribution.

THIS SOFTWARE IS PROVIDED BY THE AUTHOR AND CONTRIBUTORS ``AS IS" AND ANY EXPRESS OR IMPLIED WARRANTIES, INCLUDING, BUT NOT LIMITED TO, THE IMPLIED WARRANTIES OF MERCHANTABILITY AND FITNESS FOR A PARTICULAR PURPOSE ARE DISCLAIMED. IN NO EVENT SHALL THE AUTHOR OR CONTRIBUTORS BE LIABLE FOR ANY DIRECT, INDIRECT, INCIDENTAL, SPECIAL, EXEMPLARY, OR CONSEQUENTIAL DAMAGES (INCLUDING, BUT NOT LIMITED TO, PROCUREMENT OF SUBSTITUTE GOODS OR SERVICES; LOSS OF USE, DATA, OR PROFITS; OR BUSINESS INTERRUPTION) HOWEVER CAUSED AND ON ANY THEORY OF LIABILITY, WHETHER IN CONTRACT, STRICT LIABILITY, OR TORT (INCLUDING NEGLIGENCE OR OTHERWISE) ARISING IN ANY WAY OUT OF THE USE OF THIS SOFTWARE, EVEN IF ADVISED OF THE POSSIBILITY OF SUCH DAMAGE.

(35) - ARM Ltd (arm and thumb variant targets only)

Copyright (c) 2009-2015 ARM Ltd All rights reserved.

Redistribution and use in source and binary forms, with or without modification, are permitted provided that the following conditions are met:

1. Redistributions of source code must retain the above copyright notice, this list of conditions and the following disclaimer.
2. Redistributions in binary form must reproduce the above copyright notice, this list of conditions and the following disclaimer in the documentation and/or other materials provided with the distribution.
3. The name of the company may not be used to endorse or promote products derived from this software without specific prior written permission.

THIS SOFTWARE IS PROVIDED BY ARM LTD ``AS IS" AND ANY EXPRESS OR IMPLIED WARRANTIES, INCLUDING, BUT NOT LIMITED TO, THE IMPLIED WARRANTIES OF MERCHANTABILITY AND FITNESS FOR A PARTICULAR PURPOSE ARE DISCLAIMED. IN NO EVENT SHALL ARM LTD BE LIABLE FOR ANY DIRECT, INDIRECT, INCIDENTAL, SPECIAL, EXEMPLARY, OR CONSEQUENTIAL DAMAGES (INCLUDING, BUT NOT LIMITED TO, PROCUREMENT OF SUBSTITUTE GOODS OR SERVICES; LOSS OF USE, DATA, OR PROFITS; OR BUSINESS INTERRUPTION) HOWEVER CAUSED AND ON ANY THEORY OF LIABILITY, WHETHER IN CONTRACT, STRICT LIABILITY, OR TORT (INCLUDING NEGLIGENCE OR OTHERWISE) ARISING IN ANY WAY OUT OF THE USE OF THIS SOFTWARE, EVEN IF ADVISED OF THE POSSIBILITY OF SUCH DAMAGE.

(41) Ed Schouten - Free BSD

Copyright (c) 2008 Ed Schouten <ed@FreeBSD.org> All rights reserved.

Redistribution and use in source and binary forms, with or without modification, are permitted provided that the following conditions are met:

1. Redistributions of source code must retain the above copyright notice, this list of conditions and the following disclaimer.
2. Redistributions in binary form must reproduce the above copyright notice, this list of conditions and the following disclaimer in the documentation and/or other materials provided with the distribution.

THIS SOFTWARE IS PROVIDED BY THE AUTHOR AND CONTRIBUTORS ``AS IS" AND ANY EXPRESS OR IMPLIED WARRANTIES, INCLUDING, BUT NOT LIMITED TO, THE IMPLIED WARRANTIES OF MERCHANTABILITY AND FITNESS FOR A PARTICULAR PURPOSE ARE DISCLAIMED. IN NO EVENT SHALL THE AUTHOR OR CONTRIBUTORS BE LIABLE FOR ANY DIRECT, INDIRECT, INCIDENTAL, SPECIAL, EXEMPLARY, OR CONSEQUENTIAL DAMAGES (INCLUDING, BUT NOT LIMITED TO, PROCUREMENT OF SUBSTITUTE GOODS OR SERVICES; LOSS OF USE, DATA, OR PROFITS; OR BUSINESS INTERRUPTION) HOWEVER CAUSED AND ON ANY THEORY OF LIABILITY, WHETHER IN CONTRACT, STRICT LIABILITY, OR TORT (INCLUDING NEGLIGENCE OR OTHERWISE) ARISING IN ANY WAY OUT OF THE USE OF THIS SOFTWARE, EVEN IF ADVISED OF THE POSSIBILITY OF SUCH DAMAGE.

(46) Synopsis

Copyright (c) 2016, Synopsys, Inc. All rights reserved.

Redistribution and use in source and binary forms, with or without modification, are permitted provided that the following conditions are met:

1. Redistributions of source code must retain the above copyright notice, this list of conditions and the following disclaimer.
2. Redistributions in binary form must reproduce the above copyright notice, this list of conditions and the following disclaimer in the documentation and/or other materials provided with the distribution.
3. Neither the name of the Synopsys, Inc., nor the names of its contributors may be used to endorse or promote products derived from this software without specific prior written permission.

THIS SOFTWARE IS PROVIDED BY THE COPYRIGHT HOLDERS AND CONTRIBUTORS "AS IS" AND ANY EXPRESS OR IMPLIED WARRANTIES, INCLUDING, BUT NOT LIMITED TO, THE IMPLIED WARRANTIES OF MERCHANTABILITY AND FITNESS FOR A PARTICULAR PURPOSE ARE DISCLAIMED. IN NO EVENT SHALL THE COPYRIGHT HOLDER OR CONTRIBUTORS BE LIABLE FOR ANY DIRECT, INDIRECT, INCIDENTAL, SPECIAL, EXEMPLARY, OR CONSEQUENTIAL DAMAGES (INCLUDING, BUT NOT LIMITED TO, PROCUREMENT OF SUBSTITUTE GOODS OR SERVICES; LOSS OF USE, DATA, OR PROFITS; OR BUSINESS INTERRUPTION) HOWEVER CAUSED AND ON ANY THEORY OF LIABILITY, WHETHER IN CONTRACT, STRICT LIABILITY, OR TORT (INCLUDING NEGLIGENCE OR OTHERWISE) ARISING IN ANY WAY OUT OF THE USE OF THIS SOFTWARE, EVEN IF ADVISED OF THE POSSIBILITY OF SUCH DAMAGE.

(47) Joel Sherrill

Copyright (c) 2016 Joel Sherrill <joel@rtems.org>. All rights reserved.

Redistribution and use in source and binary forms, with or without modification, are permitted provided that the following conditions are met:

1. Redistributions of source code must retain the above copyright notice, this list of conditions and the following disclaimer.
2. Redistributions in binary form must reproduce the above copyright notice, this list of conditions and the following disclaimer in the documentation and/or other materials provided with the distribution.

THIS SOFTWARE IS PROVIDED BY THE AUTHOR AND CONTRIBUTORS ``AS IS" AND ANY EXPRESS OR IMPLIED WARRANTIES, INCLUDING, BUT NOT LIMITED TO, THE IMPLIED WARRANTIES OF MERCHANTABILITY AND FITNESS FOR A PARTICULAR PURPOSE ARE DISCLAIMED. IN NO EVENT SHALL THE AUTHOR OR CONTRIBUTORS BE LIABLE FOR ANY DIRECT, INDIRECT, INCIDENTAL, SPECIAL, EXEMPLARY, OR CONSEQUENTIAL DAMAGES (INCLUDING, BUT NOT LIMITED TO, PROCUREMENT OF SUBSTITUTE GOODS OR SERVICES; LOSS OF USE, DATA, OR PROFITS; OR BUSINESS INTERRUPTION) HOWEVER CAUSED AND ON ANY THEORY OF LIABILITY, WHETHER IN CONTRACT, STRICT LIABILITY, OR TORT (INCLUDING NEGLIGENCE OR OTHERWISE) ARISING IN ANY WAY OUT OF THE USE OF THIS SOFTWARE, EVEN IF ADVISED OF THE POSSIBILITY OF SUCH DAMAGE.

(48) From must include/elf.h

Copyright (c) 2005-2014 Rich Felker, et al.t

Permission is hereby granted, free of charge, to any person obtaining a copy of this software and associated documentation files (the "Software"), to deal in the Software without restriction, including without limitation the rights to use, copy, modify, merge, publish, distribute, sublicense, and/or sell copies of the Software, and to permit persons to whom the Software is furnished to do so, subject to the following conditions:

The above copyright notice and this permission notice shall be included in all copies or substantial portions of the Software.

THE SOFTWARE IS PROVIDED "AS IS", WITHOUT WARRANTY OF ANY KIND, EXPRESS OR IMPLIED, INCLUDING BUT NOT LIMITED TO THE WARRANTIES OF MERCHANTABILITY, FITNESS FOR A PARTICULAR PURPOSE AND NONINFRINGEMENT. IN NO EVENT SHALL THE AUTHORS OR COPYRIGHT HOLDERS BE LIABLE FOR ANY CLAIM, DAMAGES OR OTHER LIABILITY, WHETHER IN AN ACTION OF CONTRACT, TORT OR OTHERWISE, ARISING FROM, OUT OF OR IN CONNECTION WITH THE SOFTWARE OR THE USE OR OTHER DEALINGS IN THE SOFTWARE.

(49) Moerbeek

Copyright (c) 2008 Otto Moerbeek <otto@drijf.net>

Permission to use, copy, modify, and distribute this software for any purpose with or without fee is hereby granted, provided that the above copyright notice and this permission notice appear in all copies.

THE SOFTWARE IS PROVIDED "AS IS" AND THE AUTHOR DISCLAIMS ALL WARRANTIES WITH REGARD TO THIS SOFTWARE INCLUDING ALL IMPLIED WARRANTIES OF MERCHANTABILITY AND FITNESS. IN NO EVENT SHALL THE AUTHOR BE LIABLE FOR ANY SPECIAL, DIRECT, INDIRECT, OR CONSEQUENTIAL DAMAGES OR ANY DAMAGES WHATSOEVER RESULTING FROM LOSS OF USE, DATA OR PROFITS, WHETHER IN AN ACTION OF CONTRACT, NEGLIGENCE OR OTHER TORTIOUS ACTION, ARISING OUT OF OR IN CONNECTION WITH THE USE OR PERFORMANCE OF THIS SOFTWARE.

(50) embedded brains

Copyright (c) 2017 embedded brains GmbH All rights reserved.

Redistribution and use in source and binary forms, with or without modification, are permitted provided that the following conditions are met:

1. Redistributions of source code must retain the above copyright notice, this list of conditions and the following disclaimer.
2. Redistributions in binary form must reproduce the above copyright notice, this list of conditions and the following disclaimer in the documentation and/or other materials provided with the distribution.

THIS SOFTWARE IS PROVIDED BY THE AUTHOR AND CONTRIBUTORS ``AS IS'' AND ANY EXPRESS OR IMPLIED WARRANTIES, INCLUDING, BUT NOT LIMITED TO, THE IMPLIED WARRANTIES OF MERCHANTABILITY AND FITNESS FOR A PARTICULAR PURPOSE ARE DISCLAIMED. IN NO EVENT SHALL THE AUTHOR OR CONTRIBUTORS BE LIABLE FOR ANY DIRECT, INDIRECT, INCIDENTAL, SPECIAL, EXEMPLARY, OR CONSEQUENTIAL DAMAGES (INCLUDING, BUT NOT LIMITED TO, PROCUREMENT OF SUBSTITUTE GOODS OR SERVICES; LOSS OF USE, DATA, OR PROFITS; OR BUSINESS INTERRUPTION) HOWEVER CAUSED AND ON ANY THEORY OF LIABILITY, WHETHER IN CONTRACT, STRICT LIABILITY, OR TORT (INCLUDING NEGLIGENCE OR OTHERWISE) ARISING IN ANY WAY OUT OF THE USE OF THIS SOFTWARE, EVEN IF ADVISED OF THE POSSIBILITY OF SUCH DAMAGE.

(51) From musl src/string/strverscmp.c

Copyright (c) 2005-2014 Rich Felker, et al.

Permission is hereby granted, free of charge, to any person obtaining a copy of this software and associated documentation files (the "Software"), to deal in the Software without restriction, including without limitation the rights to use, copy, modify, merge, publish, distribute, sublicense, and/or sell copies of the Software, and to permit persons to whom the Software is furnished to do so, subject to the following conditions:

The above copyright notice and this permission notice shall be included in all copies or substantial portions of the Software.

THE SOFTWARE IS PROVIDED "AS IS", WITHOUT WARRANTY OF ANY KIND, EXPRESS OR IMPLIED, INCLUDING BUT NOT LIMITED TO THE WARRANTIES OF MERCHANTABILITY, FITNESS FOR A PARTICULAR PURPOSE AND NONINFRINGEMENT. IN NO EVENT SHALL THE AUTHORS OR COPYRIGHT HOLDERS BE LIABLE FOR ANY CLAIM, DAMAGES OR OTHER LIABILITY, WHETHER IN AN ACTION OF CONTRACT, TORT OR OTHERWISE, ARISING FROM, OUT OF OR IN CONNECTION WITH THE SOFTWARE OR THE USE OR OTHER DEALINGS IN THE SOFTWARE.

(52) ucla1

Copyright (c) 1983, 1993 The Regents of the University of California. All rights reserved.

Redistribution and use in source and binary forms, with or without modification, are permitted provided that the following conditions are met:

1. Redistributions of source code must retain the above copyright notice, this list of conditions and the following disclaimer.

2. Redistributions in binary form must reproduce the above copyright notice, this list of conditions and the following disclaimer in the documentation and/or other materials provided with the distribution.
3. Neither the name of the University nor the names of its contributors may be used to endorse or promote products derived from this software without specific prior written permission.

THIS SOFTWARE IS PROVIDED BY THE REGENTS AND CONTRIBUTORS ``AS IS'' AND ANY EXPRESS OR IMPLIED WARRANTIES, INCLUDING, BUT NOT LIMITED TO, THE IMPLIED WARRANTIES OF MERCHANTABILITY AND FITNESS FOR A PARTICULAR PURPOSE ARE DISCLAIMED. IN NO EVENT SHALL THE REGENTS OR CONTRIBUTORS BE LIABLE FOR ANY DIRECT, INDIRECT, INCIDENTAL, SPECIAL, EXEMPLARY, OR CONSEQUENTIAL DAMAGES (INCLUDING, BUT NOT LIMITED TO, PROCUREMENT OF SUBSTITUTE GOODS OR SERVICES; LOSS OF USE, DATA, OR PROFITS; OR BUSINESS INTERRUPTION) HOWEVER CAUSED AND ON ANY THEORY OF LIABILITY, WHETHER IN CONTRACT, STRICT LIABILITY, OR TORT (INCLUDING NEGLIGENCE OR OTHERWISE) ARISING IN ANY WAY OUT OF THE USE OF THIS SOFTWARE, EVEN IF ADVISED OF THE POSSIBILITY OF SUCH DAMAGE.

(1052) diged

Portions Copyright (c) 1993 by Digital Equipment Corporation.

Permission to use, copy, modify, and distribute this software for any purpose with or without fee is hereby granted, provided that the above copyright notice and this permission notice appear in all copies, and that the name of Digital Equipment Corporation not be used in advertising or publicity pertaining to distribution of the document or software without specific, written prior permission.

THE SOFTWARE IS PROVIDED "AS IS" AND DIGITAL EQUIPMENT CORP. DISCLAIMS ALL WARRANTIES WITH REGARD TO THIS SOFTWARE, INCLUDING ALL IMPLIED WARRANTIES OF MERCHANTABILITY AND FITNESS. IN NO EVENT SHALL DIGITAL EQUIPMENT CORPORATION BE LIABLE FOR ANY SPECIAL, DIRECT, INDIRECT, OR CONSEQUENTIAL DAMAGES OR ANY DAMAGES WHATSOEVER RESULTING FROM LOSS OF USE, DATA OR PROFITS, WHETHER IN AN ACTION OF CONTRACT, NEGLIGENCE OR OTHER TORTIOUS ACTION, ARISING OUT OF OR IN CONNECTION WITH THE USE OR PERFORMANCE OF THIS SOFTWARE.

(53) freebsd

Copyright (c) 2015 John Baldwin <jhb@FreeBSD.org>. All rights reserved.

Redistribution and use in source and binary forms, with or without modification, are permitted provided that the following conditions are met:

1. Redistributions of source code must retain the above copyright notice, this list of conditions and the following disclaimer.
2. Redistributions in binary form must reproduce the above copyright notice, this list of conditions and the following disclaimer in the documentation and/or other materials provided with the distribution.
3. Neither the name of the author nor the names of its contributors may be used to endorse or promote products derived from this software without specific prior written permission.

THIS SOFTWARE IS PROVIDED BY THE REGENTS AND CONTRIBUTORS ``AS IS'' AND ANY EXPRESS OR IMPLIED WARRANTIES, INCLUDING, BUT NOT LIMITED TO, THE IMPLIED WARRANTIES OF MERCHANTABILITY AND FITNESS FOR A PARTICULAR PURPOSE ARE DISCLAIMED. IN NO EVENT SHALL THE REGENTS OR CONTRIBUTORS BE LIABLE FOR ANY DIRECT, INDIRECT, INCIDENTAL, SPECIAL, EXEMPLARY, OR CONSEQUENTIAL DAMAGES (INCLUDING, BUT NOT LIMITED TO, PROCUREMENT OF SUBSTITUTE GOODS OR SERVICES; LOSS OF USE, DATA, OR PROFITS; OR BUSINESS INTERRUPTION) HOWEVER CAUSED AND ON ANY THEORY OF LIABILITY, WHETHER IN CONTRACT, STRICT LIABILITY, OR TORT (INCLUDING NEGLIGENCE OR OTHERWISE) ARISING IN ANY WAY OUT OF THE USE OF THIS SOFTWARE, EVEN IF ADVISED OF THE POSSIBILITY OF SUCH DAMAGE.

(54) WIDE

Copyright (C) 1995, 1996, 1997, and 1998 WIDE Project. All rights reserved.

Redistribution and use in source and binary forms, with or without modification, are permitted provided that the following conditions are met:

1. Redistributions of source code must retain the above copyright notice, this list of conditions and the following disclaimer.
2. Redistributions in binary form must reproduce the above copyright notice, this list of conditions and the following disclaimer in the documentation and/or other materials provided with the distribution.

3. Neither the name of the project nor the names of its contributors may be used to endorse or promote products derived from this software without specific prior written permission.

THIS SOFTWARE IS PROVIDED BY THE PROJECT AND CONTRIBUTORS ``AS IS" AND ANY EXPRESS OR IMPLIED WARRANTIES, INCLUDING, BUT NOT LIMITED TO, THE IMPLIED WARRANTIES OF MERCHANTABILITY AND FITNESS FOR A PARTICULAR PURPOSE ARE DISCLAIMED. IN NO EVENT SHALL THE PROJECT OR CONTRIBUTORS BE LIABLE FOR ANY DIRECT, INDIRECT, INCIDENTAL, SPECIAL, EXEMPLARY, OR CONSEQUENTIAL DAMAGES (INCLUDING, BUT NOT LIMITED TO, PROCUREMENT OF SUBSTITUTE GOODS OR SERVICES; LOSS OF USE, DATA, OR PROFITS; OR BUSINESS INTERRUPTION) HOWEVER CAUSED AND ON ANY THEORY OF LIABILITY, WHETHER IN CONTRACT, STRICT LIABILITY, OR TORT (INCLUDING NEGLIGENCE OR OTHERWISE) ARISING IN ANY WAY OUT OF THE USE OF THIS SOFTWARE, EVEN IF ADVISED OF THE POSSIBILITY OF SUCH DAMAGE.

(55) Roberson

Copyright (c) 2008, Jeffrey Roberson <jeff@freebsd.org> All rights reserved. Copyright (c) 2008 Nokia Corporation All rights reserved.

Redistribution and use in source and binary forms, with or without modification, are permitted provided that the following conditions are met:\

1. Redistributions of source code must retain the above copyright notice unmodified, this list of conditions, and the following disclaimer.
2. Redistributions in binary form must reproduce the above copyright notice, this list of conditions and the following disclaimer in the documentation and/or other materials provided with the distribution.

THIS SOFTWARE IS PROVIDED BY THE AUTHOR ``AS IS" AND ANY EXPRESS OR IMPLIED WARRANTIES, INCLUDING, BUT NOT LIMITED TO, THE IMPLIED WARRANTIES OF MERCHANTABILITY AND FITNESS FOR A PARTICULAR PURPOSE ARE DISCLAIMED. IN NO EVENT SHALL THE AUTHOR BE LIABLE FOR ANY DIRECT, INDIRECT, INCIDENTAL, SPECIAL, EXEMPLARY, OR CONSEQUENTIAL DAMAGES (INCLUDING, BUT NOT LIMITED TO, PROCUREMENT OF SUBSTITUTE GOODS OR SERVICES; LOSS OF USE, DATA, OR PROFITS; OR BUSINESS INTERRUPTION) HOWEVER CAUSED AND ON ANY THEORY OF LIABILITY, WHETHER IN CONTRACT, STRICT LIABILITY, OR TORT (INCLUDING NEGLIGENCE OR OTHERWISE) ARISING IN ANY WAY OUT OF THE USE OF THIS SOFTWARE, EVEN IF ADVISED OF THE POSSIBILITY OF SUCH DAMAGE.

(56) ucla3

Copyright (c) 1982, 1986, 1990, 1993, 1994 The Regents of the University of California. All rights reserved. (c) UNIX System Laboratories, Inc.

All or some portions of this file are derived from material licensed to the University of California by American Telephone and Telegraph Co. or Unix System Laboratories, Inc. and are reproduced herein with the permission of UNIX System Laboratories, Inc. Redistribution and use in source and binary forms, with or without modification, are permitted provided that the following conditions are met:

1. Redistributions of source code must retain the above copyright notice, this list of conditions and the following disclaimer.
2. Redistributions in binary form must reproduce the above copyright notice, this list of conditions and the following disclaimer in the documentation and/or other materials provided with the distribution.
3. Neither the name of the University nor the names of its contributors may be used to endorse or promote products derived from this software without specific prior written permission.

THIS SOFTWARE IS PROVIDED BY THE REGENTS AND CONTRIBUTORS ``AS IS" AND ANY EXPRESS OR IMPLIED WARRANTIES, INCLUDING, BUT NOT LIMITED TO, THE IMPLIED WARRANTIES OF MERCHANTABILITY AND FITNESS FOR A PARTICULAR PURPOSE ARE DISCLAIMED. IN NO EVENT SHALL THE REGENTS OR CONTRIBUTORS BE LIABLE FOR ANY DIRECT, INDIRECT, INCIDENTAL, SPECIAL, EXEMPLARY, OR CONSEQUENTIAL DAMAGES (INCLUDING, BUT NOT LIMITED TO, PROCUREMENT OF SUBSTITUTE GOODS OR SERVICES; LOSS OF USE, DATA, OR PROFITS; OR BUSINESS INTERRUPTION) HOWEVER CAUSED AND ON ANY THEORY OF LIABILITY, WHETHER IN CONTRACT, STRICT LIABILITY, OR TORT (INCLUDING NEGLIGENCE OR OTHERWISE) ARISING IN ANY WAY OUT OF THE USE OF THIS SOFTWARE, EVEN IF ADVISED OF THE POSSIBILITY OF SUCH DAMAGE.

(57) Configuration for math routines.

Copyright (c) 2017 ARM Ltd. All rights reserved.

Redistribution and use in source and binary forms, with or without modification, are permitted provided that the following conditions are met:

1. Redistributions of source code must retain the above copyright notice, this list of conditions and the following disclaimer.
2. Redistributions in binary form must reproduce the above copyright notice, this list of conditions and the following disclaimer in the documentation and/or other materials provided with the distribution.
3. The name of the company may not be used to endorse or promote products derived from this software without specific prior written permission.

THIS SOFTWARE IS PROVIDED BY ARM LTD ``AS IS AND ANY EXPRESS OR IMPLIED WARRANTIES, INCLUDING, BUT NOT LIMITED TO, THE IMPLIED WARRANTIES OF MERCHANTABILITY AND FITNESS FOR A PARTICULAR PURPOSE ARE DISCLAIMED. IN NO EVENT SHALL ARM LTD BE LIABLE FOR ANY DIRECT, INDIRECT, INCIDENTAL, SPECIAL, EXEMPLARY, OR CONSEQUENTIAL DAMAGES (INCLUDING, BUT NOT LIMITED TO, PROCUREMENT OF SUBSTITUTE GOODS OR SERVICES; LOSS OF USE, DATA, OR PROFITS; OR BUSINESS INTERRUPTION) HOWEVER CAUSED AND ON ANY THEORY OF LIABILITY, WHETHER IN CONTRACT, STRICT LIABILITY, OR TORT (INCLUDING NEGLIGENCE OR OTHERWISE) ARISING IN ANY WAY OUT OF THE USE OF THIS SOFTWARE, EVEN IF ADVISED OF THE POSSIBILITY OF SUCH DAMAGE.

(58) netbsd

Copyright (c) 2007 The NetBSD Foundation, Inc. All rights reserved.

This code is derived from software written by Stephen L. Moshier. It is redistributed by the NetBSD Foundation by permission of the author.

Redistribution and use in source and binary forms, with or without modification, are permitted provided that the following conditions are met:

1. Redistributions of source code must retain the above copyright notice, this list of conditions and the following disclaimer.
2. Redistributions in binary form must reproduce the above copyright notice, this list of conditions and the following disclaimer in the documentation and/or other materials provided with the distribution.

THIS SOFTWARE IS PROVIDED BY THE NETBSD FOUNDATION, INC. AND CONTRIBUTORS ``AS IS" AND ANY EXPRESS OR IMPLIED WARRANTIES, INCLUDING, BUT NOT LIMITED TO, THE IMPLIED WARRANTIES OF MERCHANTABILITY AND FITNESS FOR A PARTICULAR PURPOSE ARE DISCLAIMED. IN NO EVENT SHALL THE FOUNDATION OR CONTRIBUTORS BE LIABLE FOR ANY DIRECT, INDIRECT, INCIDENTAL, SPECIAL, EXEMPLARY, OR CONSEQUENTIAL DAMAGES (INCLUDING, BUT NOT LIMITED TO, PROCUREMENT OF SUBSTITUTE GOODS OR SERVICES; LOSS OF USE, DATA, OR PROFITS; OR BUSINESS INTERRUPTION) HOWEVER CAUSED AND ON ANY THEORY OF LIABILITY, WHETHER IN CONTRACT, STRICT LIABILITY, OR TORT (INCLUDING NEGLIGENCE OR OTHERWISE) ARISING IN ANY WAY OUT OF THE USE OF THIS SOFTWARE, EVEN IF ADVISED OF THE POSSIBILITY OF SUCH DAMAGE.

(59) neilly

(c) Copyright 2017 Michael R. Neilly All rights reserved.

Redistribution and use in source and binary forms, with or without modification, are permitted provided that the following conditions are met:

- Redistributions of source code must retain the above copyright notice, this list of conditions and the following disclaimer.
- Redistributions in binary form must reproduce the above copyright notice, this list of conditions and the following disclaimer in the documentation and/or other materials provided with the distribution.
- Neither the names of the copyright holders nor the names of their contributors may be used to endorse or promote products derived from this software without specific prior written permission.

THIS SOFTWARE IS PROVIDED BY THE COPYRIGHT HOLDERS AND CONTRIBUTORS "AS IS" AND ANY EXPRESS OR IMPLIED WARRANTIES, INCLUDING, BUT NOT LIMITED TO, THE IMPLIED WARRANTIES OF MERCHANTABILITY AND FITNESS FOR A PARTICULAR PURPOSE ARE DISCLAIMED. IN NO EVENT SHALL THE COPYRIGHT OWNER OR CONTRIBUTORS BE LIABLE FOR ANY DIRECT, INDIRECT, INCIDENTAL, SPECIAL, EXEMPLARY, OR CONSEQUENTIAL DAMAGES (INCLUDING, BUT NOT LIMITED TO, PROCUREMENT OF SUBSTITUTE GOODS OR SERVICES; LOSS OF USE, DATA, OR PROFITS; OR BUSINESS INTERRUPTION) HOWEVER CAUSED AND ON ANY THEORY OF LIABILITY, WHETHER IN CONTRACT, STRICT LIABILITY, OR TORT (INCLUDING NEGLIGENCE OR OTHERWISE) ARISING IN ANY WAY OUT OF THE USE OF THIS SOFTWARE, EVEN IF ADVISED OF THE POSSIBILITY OF SUCH DAMAGE.

(114) - National Semiconductor Corporation
Copyright (c) 2004 National Semiconductor Corporation

The authors hereby grant permission to use, copy, modify, distribute, and license this software and its documentation for any purpose, provided that existing copyright notices are retained in all copies and that this notice is included verbatim in any distributions. No written agreement, license, or royalty fee is required for any of the authorized uses. Modifications to this software may be copyrighted by their authors and need not follow the licensing terms described here, provided that the new terms are clearly indicated on the first page of each file where they apply.

Generic License Text
Apache 2.0 License

Apache License

Version 2.0, January 2004

<http://www.apache.org/licenses/>

TERMS AND CONDITIONS FOR USE, REPRODUCTION, AND DISTRIBUTION

1. Definitions.

"License" shall mean the terms and conditions for use, reproduction, and distribution as defined by Sections 1 through 9 of this document.

"Licensor" shall mean the copyright owner or entity authorized by the copyright owner that is granting the License.

"Legal Entity" shall mean the union of the acting entity and all other entities that control, are controlled by, or are under common control with that entity. For the purposes of this definition, **"control"** means (i) the power, direct or indirect, to cause the direction or management of such entity, whether by contract or otherwise, or (ii) ownership of fifty percent (50%) or more of the outstanding shares, or (iii) beneficial ownership of such entity.

"You" (or **"Your"**) shall mean an individual or Legal Entity exercising permissions granted by this License.

"Source" form shall mean the preferred form for making modifications, including but not limited to software source code, documentation source, and configuration files.

"Object" form shall mean any form resulting from mechanical transformation or translation of a Source form, including but not limited to compiled object code, generated documentation, and conversions to other media types.

"Work" shall mean the work of authorship, whether in Source or Object form, made available under the License, as indicated by a copyright notice that is included in or attached to the work (an example is provided in the Appendix below).

"Derivative Works" shall mean any work, whether in Source or Object form, that is based on (or derived from) the Work and for which the editorial revisions, annotations, elaborations, or other modifications represent, as a whole, an original work of authorship. For the purposes of this License, Derivative Works shall not include works that remain separable from, or merely link (or bind by name) to the interfaces of, the Work and Derivative Works thereof.

"Contribution" shall mean any work of authorship, including the original version of the Work and any modifications or additions to that Work or Derivative Works thereof, that is intentionally submitted to Licensor for inclusion in the Work by the copyright owner or by an individual or Legal Entity authorized to submit on behalf of the copyright owner. For the purposes of this definition, **"submitted"** means any form of electronic, verbal, or written communication sent to the Licensor or its representatives, including but not limited to communication on electronic mailing lists, source code control systems, and issue tracking systems that are managed by, or on behalf of, the Licensor for the purpose of discussing and improving the Work, but excluding communication that is conspicuously marked or otherwise designated in writing by the copyright owner as **"Not a Contribution."**

"Contributor" shall mean Licensor and any individual or Legal Entity on behalf of whom a Contribution has been received by Licensor and subsequently incorporated within the Work.

2. Grant of Copyright License. Subject to the terms and conditions of this License, each Contributor hereby grants to You a perpetual, worldwide, non-exclusive, no-charge, royalty-free, irrevocable copyright license to reproduce, prepare Derivative Works of, publicly display, publicly perform, sublicense, and distribute the Work and such Derivative Works in Source or Object form.

3. Grant of Patent License. Subject to the terms and conditions of this License, each Contributor hereby grants to You a perpetual, worldwide, non-exclusive, no-charge, royalty-free, irrevocable

(except as stated in this section) patent license to make, have made, use, offer to sell, sell, import, and otherwise transfer the Work, where such license applies only to those patent claims licensable by such Contributor that are necessarily infringed by their Contribution(s) alone or by combination of their Contribution(s) with the Work to which such Contribution(s) was submitted. If You institute patent litigation against any entity (including a cross-claim or counterclaim in a lawsuit) alleging that the Work or a Contribution incorporated within the Work constitutes direct or contributory patent infringement, then any patent licenses granted to You under this License for that Work shall terminate as of the date such litigation is filed.

4. Redistribution. You may reproduce and distribute copies of the Work or Derivative Works thereof in any medium, with or without modifications, and in Source or Object form, provided that You meet the following conditions:

- You must give any other recipients of the Work or Derivative Works a copy of this License; and
- You must cause any modified files to carry prominent notices stating that You changed the files; and
- You must retain, in the Source form of any Derivative Works that You distribute, all copyright, patent, trademark, and attribution notices from the Source form of the Work, excluding those notices that do not pertain to any part of the Derivative Works; and
- If the Work includes a **"NOTICE"** text file as part of its distribution, then any Derivative Works that You distribute must include a readable copy of the attribution notices contained within such NOTICE file, excluding those notices that do not pertain to any part of the Derivative Works, in at least one of the following places: within a NOTICE text file distributed as part of the Derivative Works; within the Source form or documentation, if provided along with the Derivative Works; or, within a display generated by the Derivative Works, if and wherever such third-party notices normally appear. The contents of the NOTICE file are for informational purposes only and do not modify the License. You may add Your own attribution notices within Derivative Works that You distribute, alongside or as an addendum to the NOTICE text from the Work, provided that such additional attribution notices cannot be construed as modifying the License. You may add Your own copyright statement to Your modifications and may provide additional or different license terms and conditions for use, reproduction, or distribution of Your modifications, or for any such Derivative Works as a whole, provided Your use, reproduction, and distribution of the Work otherwise complies with the conditions stated in this License.

5. Submission of Contributions. Unless You explicitly state otherwise, any Contribution intentionally submitted for inclusion in the Work by You to the Licensor shall be under the terms and conditions of this License, without any additional terms or conditions. Notwithstanding the above, nothing herein shall supersede or modify the terms of any separate license agreement you may have executed with Licensor regarding such Contributions.

6. Trademarks. This License does not grant permission to use the trade names, trademarks, service marks, or product names of the Licensor, except as required for reasonable and customary use in describing the origin of the Work and reproducing the content of the NOTICE file.

7. Disclaimer of Warranty. Unless required by applicable law or agreed to in writing, Licensor provides the Work (and each Contributor provides its Contributions) on an "AS IS" BASIS, WITHOUT WARRANTIES OR CONDITIONS OF ANY KIND, either express or implied, including, without limitation, any warranties or conditions of TITLE, NON-INFRINGEMENT, MERCHANTABILITY, or FITNESS FOR A PARTICULAR PURPOSE. You are solely responsible for determining the appropriateness of using or redistributing the Work and assume any risks associated with Your exercise of permissions under this License.

8. Limitation of Liability. In no event and under no legal theory, whether in tort (including negligence), contract, or otherwise, unless required by applicable law (such as deliberate and grossly negligent acts) or agreed to in writing, shall any Contributor be liable to You for damages, including any direct, indirect, special, incidental, or consequential damages of any character arising as a result of this License or out of the use or inability to use the Work (including but not limited to damages for loss of goodwill, work stoppage, computer failure or malfunction, or any and all other commercial damages or losses), even if such Contributor has been advised of the possibility of such damages.

9. Accepting Warranty or Additional Liability. While redistributing the Work or Derivative Works thereof, You may choose to offer, and charge a fee for, acceptance of support, warranty, indemnity, or other liability obligations and/or rights consistent with this License. However, in accepting such obligations, You may act only on Your own behalf and on Your sole responsibility, not on behalf of any other Contributor, and only if You agree to indemnify, defend, and hold each Contributor harmless

for any liability incurred by, or claims asserted against, such Contributor by reason of your accepting any such warranty or additional liability.

END OF TERMS AND CONDITIONS

Warranty Disclaimer

This product contains Open Source Software components which underly Open Source Software Licenses. Please note that Open Source Licenses contain disclaimer clauses. The text of the Open Source Licenses that apply are included in this manual under "Licenses".

LIMITED WARRANTY

For details on the terms of the limited warranty for this product, go to <https://rb-pt.io/PowerToolWarranty> or call 1-877-BOSCH99.

GARANTIE LIMITÉE

Pour tous détails sur les conditions de la garantie limitée pour ce produit, allez sur le site <https://rb-pt.io/PowerToolWarranty> ou téléphonez au 1-877-BOSCH99.

GARANTÍA LIMITADA

Para obtener detalles sobre los términos de la garantía limitada de este producto, visite <https://rb-pt.io/PowerToolWarranty> o llame al 1-877-BOSCH99.



BOSCH

© Robert Bosch Tool Corporation
1800 W. Central Road
Mt. Prospect, IL 60056-2230
1605A002E2 01/2024



1 6 0 5 A 0 0 2 E 2