

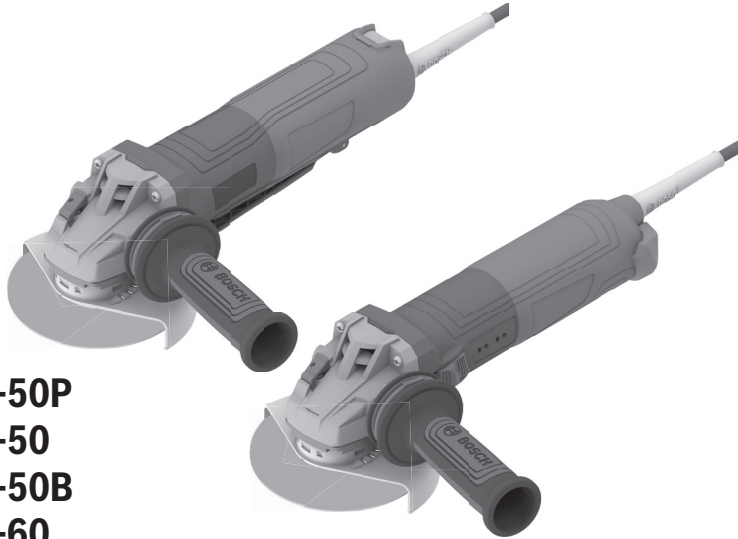
IMPORTANT
Read Before Using

IMPORTANT
Lire avant usage

IMPORTANTE
Leer antes de usar



Operating/Safety Instructions
Consignes d'utilisation/de sécurité
Instrucciones de funcionamiento y seguridad



GWS14-50P
GWS14-50
GWS14-50B
GWS14-60



BOSCH

Call Toll Free for Consumer Information & Service Locations

Pour obtenir des informations et les adresses de nos centres de service après-vente, appelez ce numéro gratuit

Llame gratis para obtener información para el consumidor y ubicaciones de servicio

1-877-BOSCH99 (1-877-267-2499) www.boschtools.com

For English Version
See page 2

Version française
Voir page 36

Versión en español
Ver la página 70



Safety Symbols

The definitions below describe the level of severity for each signal word. Please read the manual and pay attention to these symbols.

	This is the safety alert symbol. It is used to alert you to potential personal injury hazards. Obey all safety messages that follow this symbol to avoid possible injury or death.
	DANGER indicates a hazardous situation which, if not avoided, will result in death or serious injury.
	WARNING indicates a hazardous situation which, if not avoided, could result in death or serious injury.
	CAUTION indicates a hazardous situation which, if not avoided, could result in minor or moderate injury.

Table of Contents

General Power Tool Safety Warnings	3	Type E (Diamond Surface Grinding Wheel Guard) with Concrete Dust Extraction Attachment for Surface Grinding	25
Safety Rules for Corded Angle Grinders	5	Masonry Cutting Guard Assembly	26
Additional Safety Warnings	8	Installing Masonry Type F (1A/41) Cutting Guard with Footplate	27
Intended Use	10	Installing a Dry Diamond Wheel	27
Specifications	11	Operation	28
Application	12	Paddle Switch with Lock-ON	28
Symbols	13	Slide Switch with Lock-ON	28
Functional Descriptions	15	Speed Preselection	29
Brake Operation	15	Metal Grinding	30
Getting to Know Your Product	16	Metal Cutting	30
Assembly	19	Masonry / Concrete Cutting	31
Vibration Control Side Handle	19	Sanding	32
Hand Shield (Sold Separately)	19	Polishing Metal and Concrete	33
Lock Nut and Backing Flange	19	Wire Brush (Wheels and Cups)	33
Lock Nut and Backing Flange (GWS14-50B)	19	Maintenance	34
Wheel Guard Installation (Type 27 and Type 1A/41 Wheel Guards)	20	Service	34
Disc Grinding Wheel Assembly	21	Tool Lubrication	34
Type 1A/41 and 27A/42 Wheel Assembly	22	Carbon Brushes	34
Type 1 Abrasive Straight Grinding Wheels	22	Cleaning	34
Sanding Assembly	23	Accessory Storage and Maintenance	34
Wire Cup Brush Assembly	24	Extension Cords	35
Wire Wheel Assembly	24	Accessories	35



General Power Tool Safety Warnings

⚠️ WARNING Read all safety warnings, instructions, illustrations and specifications provided with this power tool. Failure to follow all instructions listed below may result in electric shock, fire, and/or serious injury.

SAVE ALL WARNINGS AND INSTRUCTIONS FOR FUTURE REFERENCE

The term “power tool” in the warnings refers to your mains-operated (corded) power tool or battery-operated (cordless) power tool.

1. Work area safety

- a. **Keep work area clean and well lit.** Cluttered or dark areas invite accidents.
- b. **Do not operate power tools in explosive atmospheres, such as in the presence of flammable liquids, gases or dust.** Power tools create sparks which may ignite the dust or fumes.
- c. **Keep children and bystanders away while operating a power tool.** Distractions can cause you to lose control.

2. Electrical safety

- a. **Power tool plugs must match the outlet. Never modify the plug in any way. Do not use any adapter plugs with earthed (grounded) power tools.** Unmodified plugs and matching outlets will reduce risk of electric shock.
- b. **Avoid body contact with earthed or grounded surfaces, such as pipes, radiators, ranges and refrigerators.** There is an increased risk of electric shock if your body is earthed or grounded.
- c. **Do not expose power tools to rain or wet conditions.** Water entering a power tool will increase the risk of electric shock.
- d. **Do not abuse the cord. Never use the cord for carrying, pulling or unplugging the power tool. Keep cord away from heat, oil, sharp edges or moving parts.** Damaged or entangled cords increase the risk of electric shock.
- e. **When operating a power tool outdoors, use an extension cord suitable for outdoor use.** Use of a cord suitable for outdoor use reduces the risk of electric shock.
- f. **If operating a power tool in a damp location is unavoidable, use a Ground Fault Circuit Interrupter (GFCI) protected supply.** Use of a GFCI reduces the risk of electric shock.

3. Personal safety

- a. **Stay alert, watch what you are doing and use common sense when operating a power tool. Do not use a power tool while you are tired or under the influence of drugs, alcohol or medication.** A moment of inattention while operating power tools may result in serious personal injury.
- b. **Use personal protective equipment. Always wear eye protection.** Protective equipment such as a dust mask, non-skid safety shoes, hard hat, or hearing protection used for appropriate conditions will reduce personal injuries.
- c. **Prevent unintentional starting. Ensure the switch is in the off-position before connecting to power source and/or battery pack, picking up or carrying the tool.** Carrying power tools with your finger on the switch or energizing power tools that have the switch on invites accidents.
- d. **Remove any adjusting key or wrench before turning the power tool on.** A wrench or a key left attached to a rotating part of the power tool may result in personal injury.
- e. **Do not overreach. Keep proper footing and balance at all times.** This enables better control of the power tool in unexpected situations.
- f. **Dress properly. Do not wear loose clothing or jewelry. Keep your hair and clothing away from moving parts.** Loose clothes, jewelry or long hair can be caught in moving parts.
- g. **If devices are provided for the connection of dust extraction and collection facilities, ensure these are connected and properly used.** Use of dust collection can reduce dust-related hazards.
- h. **Do not let familiarity gained from frequent use of tools allow you to become complacent and ignore tool safety principles.** A careless action can cause severe injury within a fraction of a second.

General Power Tool Safety Warnings

4. Power tool use and care

- a. **Do not force the power tool. Use the correct power tool for your application.** The correct power tool will do the job better and safer at the rate for which it was designed.
- b. **Do not use the power tool if the switch does not turn it on and off.** Any power tool that cannot be controlled with the switch is dangerous and must be repaired.
- c. **Disconnect the plug from the power source and/or remove the battery pack, if detachable, from the power tool before making any adjustments, changing accessories, or storing power tools.** Such preventive safety measures reduce the risk of starting the power tool accidentally.
- d. **Store idle power tools out of the reach of children and do not allow persons unfamiliar with the power tool or these instructions to operate the power tool.** Power tools are dangerous in the hands of untrained users.
- e. **Maintain power tools and accessories. Check for misalignment or binding of moving parts, breakage of parts and any other condition that may affect the power tool's operation. If damaged, have the power tool repaired before use.** Many accidents are caused by poorly maintained power tools.

- f. **Keep cutting tools sharp and clean.** Properly maintained cutting tools with sharp cutting edges are less likely to bind and are easier to control.
- g. **Use the power tool, accessories and tool bits etc. in accordance with these instructions, taking into account the working conditions and the work to be performed.** Use of the power tool for operations different from those intended could result in a hazardous situation.
- h. **Keep handles and grasping surfaces dry, clean and free from oil and grease.** Slippery handles and grasping surfaces do not allow for safe handling and control of the tool in unexpected situations.

5. Service

- a. **Have your power tool serviced by a qualified repair person using only identical replacement parts.** This will ensure that the safety of the power tool is maintained.

Safety Rules for Corded Angle Grinders

1. Safety warnings common for grinding, sanding, wire brushing, polishing or cutting-off operations

- a. **This power tool is intended to function as a grinder, sander, wire brush, polisher, or cut-off tool. Read all safety warnings, instructions, illustrations and specifications provided with this power tool.** Failure to follow all instructions listed below may result in electric shock, fire and/or serious injury.
- b. **Operations such as hole cutting are not recommended to be performed with this power tool.** Operations for which the power tool was not designed may create a hazard and cause personal injury.
- c. **Do not convert this power tool to operate in a way which is not specifically designed and specified by the tool manufacturer.** Such a conversion may result in a loss of control and cause serious personal injury.
- d. **Do not use accessories which are not specifically designed and specified by the tool manufacturer.** Just because the accessory can be attached to your power tool, it does not assure safe operation.
- e. **The rated speed of the accessory must be at least equal to the maximum speed marked on the power tool.** Accessories running faster than their rated speed can break and fly apart.
- f. **The outside diameter and the thickness of your accessory must be within the capacity rating of your power tool.** Incorrectly sized accessories cannot be adequately guarded or controlled.
- g. **The dimensions of the accessory mounting must fit the dimensions of the mounting hardware of the power tool.** Accessories that do not match the mounting hardware of the power tool will run out of balance, vibrate excessively and may cause loss of control.
- h. **Do not use a damaged accessory. Before each use inspect the accessory such as abrasive wheels for chips and cracks, backing pad for cracks, tear or excess wear, wire brush for loose or cracked wires. If power tool or accessory is dropped, inspect for damage or install an undamaged accessory. After inspecting and installing an accessory, position yourself and bystanders away from the plane of the rotating accessory and run the power tool at maximum no-load speed for one minute.** Damaged accessories will normally break apart during this test time.
- i. **Wear personal protective equipment. Depending on application, use face shield, safety goggles or safety glasses. As appropriate, wear dust mask, hearing protectors, gloves and workshop apron capable of stopping small abrasive or workpiece fragments.** The eye protection must be capable of stopping flying debris generated by various applications. The dust mask or respirator must be capable of filtering particles generated by the particular application. Prolonged exposure to high intensity noise may cause hearing loss.
- j. **Keep bystanders a safe distance away from work area. Anyone entering the work area must wear personal protective equipment.** Fragments of workpiece or of a broken accessory may fly away and cause injury beyond immediate area of operation.
- k. **Hold the power tool by insulated gripping surfaces only, when performing an operation where the cutting accessory may contact hidden wiring or its own cord.** Cutting accessory contacting a “live” wire may make exposed metal parts of the power tool “live” and could give the operator an electric shock.
- l. **Position the cord clear of the spinning accessory.** If you lose control, the cord may be cut or snagged and your hand or arm may be pulled into the spinning accessory.
- m. **Never lay the power tool down until the accessory has come to a complete stop.** The spinning accessory may grab the surface and pull the power tool out of your control.
- n. **Do not run the power tool while carrying it at your side.** Accidental contact with the spinning accessory could snag your clothing, pulling the accessory into your body.
- o. **Regularly clean the power tool’s air vents.** The motor’s fan will draw the dust inside the housing and excessive accumulation of powdered metal may cause electrical hazards.
- p. **Do not operate the power tool near flammable materials.** Sparks could ignite these materials.
- q. **Do not use accessories that require liquid coolants.** Using water or other liquid coolants may result in electrocution or shock.

Safety Rules for Corded Angle Grinders

2. Kickback and related warnings

Kickback is a sudden reaction to a pinched or snagged rotating wheel, backing pad, brush or any other accessory. Pinching or snagging causes rapid stalling of the rotating accessory which in turn causes the uncontrolled power tool to be forced in the direction opposite of the accessory's rotation at the point of the binding.

For example, if an abrasive wheel is snagged or pinched by the workpiece, the edge of the wheel that is entering into the pinch point can dig into the surface of the material causing the wheel to climb out or kick out. The wheel may either jump toward or away from the operator, depending on direction of the wheel's movement at the point of pinching. Abrasive wheels may also break under these conditions.

Kickback is the result of power tool misuse and/or incorrect operating procedures or conditions and can be avoided by taking proper precautions as given below.

- a. **Maintain a firm grip with both hands on the power tool and position your body and arms to allow you to resist kickback forces. Always use auxiliary handle, if provided, for maximum control over kickback or torque reaction during start-up.** The operator can control torque reactions or kickback forces, if proper precautions are taken.
- b. **Never place your hand near the rotating accessory.** Accessory may kickback over your hand.
- c. **Do not position your body in the area where power tool will move if kickback occurs.** Kickback will propel the tool in direction opposite to the wheel's movement at the point of snagging.
- d. **Use special care when working corners, sharp edges, etc. Avoid bouncing and snagging the accessory.** Corners, sharp edges or bouncing have a tendency to snag the rotating accessory and cause loss of control or kickback.
- e. **Do not attach a saw chain woodcarving blade, segmented diamond wheel with a peripheral gap greater than 10 mm (13/32") or toothed saw blade.** Such blades create frequent kickback and loss of control.

3. Safety warnings specific for grinding and cutting-off operations

- a. **Use only wheel types that are specified for your power tool and the specific guard designed for the selected wheel.** Wheels for which the power tool was not designed cannot be adequately guarded and are unsafe.
- b. **The grinding surface of center depressed wheels must be mounted below the plane of the guard lip.** An improperly mounted wheel that projects through the plane of the guard lip cannot be adequately protected.
- c. **The guard must be securely attached to the power tool and positioned for maximum safety, so the least amount of wheel is exposed towards the operator.** The guard helps to protect the operator from broken wheel fragments, accidental contact with wheel and sparks that could ignite clothing.
- d. **Wheels must be used only for specified applications. For example: do not grind with the side of cut-off wheel.** Abrasive cut-off wheels are intended for peripheral grinding, side forces applied to these wheels may cause them to shatter.
- e. **Always use undamaged wheel flanges that are of correct size and shape for your selected wheel.** Proper wheel flanges support the wheel thus reducing the possibility of wheel breakage. Flanges for cut-off wheels may be different from grinding wheel flanges.
- f. **Do not use worn down wheels from larger power tools.** A wheel intended for larger power tool is not suitable for the higher speed of a smaller tool and may burst.
- g. **When using dual purpose wheels always use the correct guard for the application being performed.** Failure to use the correct guard may not provide the desired level of guarding, which could lead to serious injury.

4. Additional safety warnings specific for cutting-off operations

- a. **Do not "jam" the cut-off wheel or apply excessive pressure. Do not attempt to make an excessive depth of cut.** Overstressing the wheel increases the loading and susceptibility to twisting or binding of the wheel in the

Safety Rules for Corded Angle Grinders

cut and the possibility of kickback or wheel breakage.

- b. Do not position your body in line with and behind the rotating wheel.** When the wheel, at the point of operation, is moving away from your body, the possible kickback may propel the spinning wheel and the power tool directly at you.
- c. When the wheel is binding or when interrupting a cut for any reason, switch off the power tool and hold it motionless until the wheel comes to a complete stop. Never attempt to remove the cutoff wheel from the cut while the wheel is in motion otherwise kickback may occur.** Investigate and take corrective action to eliminate the cause of wheel binding.
- d. Do not restart the cutting operation in the workpiece. Let the wheel reach full speed and carefully re-enter the cut.** The wheel may bind, walk up or kickback if the power tool is restarted in the workpiece.
- e. Support panels or any oversized workpiece to minimize the risk of wheel pinching and kickback.** Large workpieces tend to sag under their own weight. Supports must be placed under the workpiece near the line of cut and near the edge of the workpiece on both sides of the wheel.
- f. Use extra caution when making a “pocket cut” into existing walls or other blind areas.** The protruding wheel may cut gas or water pipes, electrical wiring or objects that can cause kickback.
- g. Do not attempt to do curved cutting.** Overstressing the wheel increases the loading and susceptibility to twisting or binding of the wheel in the cut and the possibility of kickback or wheel breakage, which can lead to serious injury.

- h. Do not use Type 1/41 abrasive wheels designed for straight grinding.**
- i. Do not attempt to cut large stock or sheets of metal as this machine is not designed to be a dedicated cut-off machine.**

5. Safety warnings specific for sanding operations

- a. Use proper sized sanding disc paper. Follow manufacturers recommendations, when selecting sanding paper.** Larger sanding paper extending too far beyond the sanding pad presents a laceration hazard and may cause snagging, tearing of the disc or kickback.

6. Safety warnings specific for polishing operations

- a. Do not allow any loose portion of the polishing bonnet or its attachment strings to spin freely. Tuck away or trim any loose attachment strings.** Loose and spinning attachment strings can entangle your fingers or snag on the workpiece.

7. Safety warnings specific for wire brushing operations

- a. Be aware that wire bristles are thrown by the brush even during ordinary operation. Do not overstress the wires by applying excessive load to the brush.** The wire bristles can easily penetrate light clothing and/or skin.
- b. If the use of a guard is specified for wire brushing, do not allow any interference of the wire wheel or brush with the guard.** Wire wheel or brush may expand in diameter due to work load and centrifugal forces.

Additional Safety Warnings

⚠ WARNING Use either Type A (Type 1A/41) cut-off or Type C (combination) WHEEL GUARD, when using dual purpose (combined grinding and cutting-off abrasive) flange mounted wheels.

Use Type B (Type 27) grinding WHEEL GUARD for facial grinding. When using a Type A (Type 1A/41) cut-off WHEEL GUARD for facial grinding, the WHEEL GUARD may interfere with the workpiece causing poor control;

Use Type A (Type 1A/41) cut-off or Type C (combination) WHEEL GUARD for cut-off operations. When using a Type B (Type 27) grinding WHEEL GUARD for cutting-off operations with bonded abrasive wheels, there is an increased risk of exposure to emitted sparks and particles, as well as exposure to wheel fragments in the event of wheel burst;

Use Type E (diamond surface grinding) WHEEL GUARD or Type F (masonry cut-off) WHEEL GUARD for cutting-off and facial operations in concrete or masonry. When using a Type A (Type 1A/41) cut-off, Type B (Type 27) grinding or Type C (combination) WHEEL GUARD for cutting-off and facial grinding operations in concrete or masonry, there is an increased risk of exposure to dust and loss of control resulting in kickback;

Use wheel-type wire brushes having thickness and diameter not greater than specified in this manual. When using a Type A (Type 1A/41) cut-off, Type B (Type 27) grinding or Type C (combination) WHEEL GUARD with a wheel-type wire brush with a thickness greater than the maximum thickness as specified the wires may catch on the guard leading to breaking off wires.

Do not use AC only rated tools with a DC power supply. While the tool may appear to work, the electrical components of the AC rated tool are likely to fail and create a hazard to the operator.

Keep handles dry, clean and free from oil and grease. Slippery hands cannot safely control the power tool.

Use clamps or other practical way to secure and support the workpiece to a stable platform. Holding the work by hand or against your body is unstable and may lead to loss of control.

Develop a periodic maintenance schedule for your tool. When cleaning a tool be careful not to disassemble any portion of the tool since internal wires may be misplaced or pinched or safety guard return springs may be improperly mounted. Certain cleaning agents such as gasoline, carbon tetrachloride, ammonia, etc. may damage plastic parts.

Do not use vacuum or other dust collection system when cutting metal. Sparks from metal cutting can cause fire in the collector.

⚠ WARNING Some dust created by power sanding, sawing, grinding, drilling, and other construction activities contains chemicals known to cause cancer, birth defects or other reproductive harm. Some examples of these chemicals are:

- Lead from lead-based paints,
- Crystalline silica from bricks and cement and other masonry products, and
- Arsenic and chromium from chemically-treated lumber.

Your risk from these exposures varies, depending on how often you do this type of work. To reduce your exposure to these chemicals: work in a well ventilated area, and work with approved safety equipment, such as those dust masks that are specially designed to filter out microscopic particles.

Additional Safety Warnings

⚠ WARNING Use this grinder only as intended. Unintended use may result in personal injury and property damage.

⚠ WARNING Do not use Type 11 abrasive (cup) wheels with this tool. This tool is not designed for use with Type 11 (cup) abrasive grinding wheels.

⚠ WARNING The brake action of this grinder is not intended as a safety feature. Do not set the tool down before the tool comes to a complete stop. Using the appropriate guard when operating the grinder is your best protection against unintentional contact with a spinning accessory. Unintended contact with a rotating accessory can cause property damage and/or personal injury.

⚠ WARNING Disconnect the plug from the power source before making any adjustments, changing accessories, or storing power tools. Such preventive safety measures reduce the risk of starting the power tool accidentally.

⚠ WARNING For grinders equipped with brakes only use specifically provided backing flanges. Do not use standard backing flanges on grinders with brakes. Using standard backing flanges may cause the wheel to loosen during braking and cause personal injury and property damage.

⚠ WARNING A Type 27 guard must be used with all grinding wheels, bonded body sanding flap discs, wire brushes and wheels. The tool may be used without a guard only when sanding with conventional sanding discs.

⚠ WARNING A Type 1A/41A guard must be used for all cutting operations.

⚠ WARNING Always use Type A (1A/41) cutting wheel guard for cutting.

⚠ WARNING Do not use Type 1 abrasive wheels designed for straight/die grinding. This tool is not designed for use with Type 1 abrasive straight/die grinding wheels.

⚠ WARNING The rated speed of the accessory must be at least equal to the maximum speed marked on the power tool. Accessories running faster than their rated speed can break and fly apart.

⚠ WARNING Wheel guard may not be used for most sanding operations. Always reinstall wheel guard when converting back to grinding operations.

⚠ WARNING Do not use the quick-clamping nut with backing pad for sanding accessories.

⚠ WARNING Always use Type B (27) grinding wheel guard with wire wheels (brushes). Not using wheel guard with wire wheels may cause injury.

⚠ WARNING A Type B (27) grinding wheel guard may not be used for all tool operations. Do not discard guard when not in use. Always reinstall wheel guard when converting back to grinding operations.

⚠ WARNING Dust Extraction Attachment is not a guard, do not use with bonded abrasive wheels. Dust extraction attachment may not protect operator in the event of a wheel burst.

⚠ WARNING Always use Type A (1A/41) cutting wheel guard for cutting. Cutting with a Type B (27) wheel guard may not provide the operator sufficient protection in the event of a wheel burst.

⚠ WARNING When cutting never pull the tool backward since blade will climb out of the material and KICKBACK will occur.

⚠ WARNING Do not use angle grinder for polishing painted surfaces or plastics. Using angle grinders for such applications may damage materials and surfaces.

⚠ WARNING To avoid accidents, always disconnect the tool and/or charger from the power supply before servicing or cleaning.

⚠ WARNING NO USER SERVICEABLE PARTS INSIDE. Maintenance performed by unauthorized personnel may result in misplacing of internal wires and components which could cause serious hazard. We recommend that all tool service be performed by a Bosch Factory Service Center or Authorized Bosch Service location.

Additional Safety Warnings

⚠ WARNING If an extension cord is necessary, a cord with adequate size conductors that is capable of carrying the current necessary for your tool must be used. This will prevent excessive voltage drop, loss of power or overheating. Grounded tools must use 3-wire extension cords that have 3-prong plugs and receptacles.

⚠ WARNING Do not use attachments/accessories other than those specified by Bosch. Use of attachments/accessories not specified for use with the tool described in this manual may result in damage to tool, property damage, and or personal injury.

Intended Use

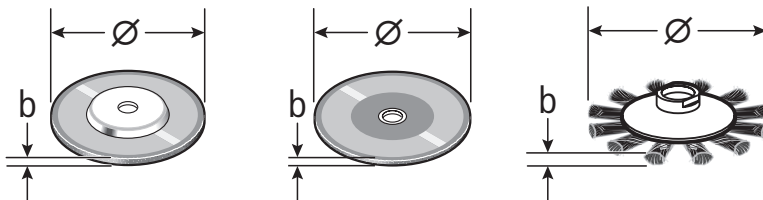
⚠ WARNING Use this grinder only as intended. Unintended use may result in personal injury and property damage.

The GWS14-50P, GWS14-50, GWS14-50B, and GWS14-60 small angle grinders are intended for professional grinding, cutting, sanding, wire brushing, and polishing applications described in this manual.

Specifications

Model Number	GWS14-50P	GWS14-50	GWS14-50B	GWS14-60
Amps	13	13	13	13
Volts AC	120	120	120	120
Rated Speed (RPM), /min	2800-11500	2800-11500	2800-11500	2400-9700
Switch type	Paddle	Slide	Slide	Slide
Max. grinding wheel \varnothing	5" (125mm)	5" (125mm)	5" (125mm)	6" (150mm)
Max. cutting wheel \varnothing	5" (125mm)	5" (125mm)	5" (125mm)	6" (150mm)
Max. sanding disc \varnothing	5" (125mm)	5" (125mm)	5" (125mm)	6" (150mm)
Max. flap disc \varnothing	5" (125mm)	5" (125mm)	5" (125mm)	6" (150mm)
Max. wire wheel \varnothing	4" (102mm)	4" (102mm)	4" (102mm)	4" (102mm)
Max. wire cup \varnothing	3" (76mm)	3" (76mm)	3" (76mm)	3" (76mm)
Grinding wheel thickness (b)	1/4" (6 mm)	1/4" (6 mm)	1/4" (6 mm)	1/4" (6 mm)
Type 1/41 cut off wheel thickness (b)	.045" (1.2 mm)	.045" (1.2 mm)	.045" (1.2 mm)	.045" (1.2 mm)
Type 27/42 cutting wheel thickness (b)	1/8" (3.0 mm)	1/8" (3.0 mm)	1/8" (3.0 mm)	1/8" (3.0 mm)
Max. wire wheel face width (thickness) (b)	1/2" (12.7 mm)	1/2" (12.7 mm)	1/2" (12.7 mm)	1/2" (12.7 mm)
Max. Type 1/41 segmented diamond cutting wheel peripheral gap	10 mm	10 mm	10 mm	10 mm
Type 1/41 segmented diamond cutting wheel rake angle				
Variable speed	•	•	•	•
Electronic clutch	•	•	•	•
Constant response circuitry	•	•	•	•
Restart protection	•	•	•	•
Overload protection	•	•	•	•
Soft start	•	•	•	•
Brake	—	—	•	—

• = Tool is provided with this feature. — = Tool is not provided with this feature.



\varnothing = Wheel diameter. b = Wheel thickness.

Application

Wheel Description	Model Number			
	GWS14-50P	GWS14-50	GWS14-50B	GWS14-60
Metal Grinding (Type 27)	X	X	X	X
Metal Grinding (Type 11)	N	N	N	N
Metal Cutting (Type 41/1A)	X	X	X	X
Flap Disc Type 29	O	O	O	O
Concrete Cutting	O	O	O	O
Sanding	O	O	O	O
Wire Brushing (Wheel)	O	O	O	O
Wire Brushing (Cup)	O	O	O	O

X = Tool is provided with attachments to perform this application.

O = Tool can use optional attachments to perform this application.





N = Tool is not capable of this application.

Accessory speed rating must be equal to or greater than the tool's speed rating. Do not exceed the recommended wheel diameter.

⚠ WARNING Do not use Type 11 abrasive (cup) wheels with this tool. This tool is not designed for use with Type 11 (cup) abrasive grinding wheels.











Symbols

Important: Some of the following symbols may be used on your tool. Please study them and learn their meaning. Proper interpretation of these symbols will allow you to operate the tool better and safer.

Symbol	Designation/Explanation
V	Volts (voltage)
lb	Pounds (weight)
kg	Kilograms (weight)
ft	Feet (dimension)
m	Meters (dimension)
in	Inches (dimension)
cm	Centimeter (dimension)
mm	Millimeter (dimension)
A	Amperes (current)
Hz	Hertz (frequency, cycles per second)
W	Watt (power)
min	Minutes (time)
s	Seconds (time)
∅	Diameter (size of drill bits, grinding wheels, etc.)
n_0	No load speed (rotational speed, at no load)
n	Rated speed (maximum attainable speed)
.../min	Revolutions or reciprocation per minute (revolutions, strokes, surface speed, orbits etc. per minute)
0	Off position (zero speed, zero torque...)
1, 2, 3, ... I, II, III,	Selector settings (speed, torque or position settings. Higher number means greater speed)
0 	Infinitely variable selector with off (speed is increasing from 0 setting)
	Arrow (action in the direction of arrow)
~	Type or a characteristic of current
==	Type or a characteristic of current
⌚	Type or a characteristic of current
	Designates double insulated construction tools
	Grounding terminal

Symbols

Important: Some of the following symbols may be used on your tool. Please study them and learn their meaning. Proper interpretation of these symbols will allow you to operate the tool better and safer.

Symbol	Designation/Explanation
	Alerts user to read manual.
	Alerts user to wear eye protection.
	Alerts user to wear respiratory protection.
	Alerts user to wear hearing protection.
	Alerts user to wear eye, respiratory, and hearing protection.
	Indicates kickback control in the tool.
	Indicates drop control in the tool.
	Indicates brake system in the tool.
	This symbol designates that this tool is listed by Underwriters Laboratories, to United States and Canadian Standards.
	This symbol designates that this tool is listed by the Canadian Standards Association, to United States and Canadian Standards.

Functional Descriptions

Kickback Control:

The electronics in the power tool detects situations where the wheel or accessory may be at risk to bind. The electronics prevents further rotation of the drive spindle by switching the power tool off (it does not prevent kickback). To resume operation, turn on/off switch to the off position, then restart tool.

Constant Response Circuitry:

Helps maintain near constant RPMs between no-load and load conditions.

Soft Start:

Helps reduce stress on the motor that occurs from a high torque start. Helps bring accessory smoothly up to speed.

Automatic Restart Protection:

Helps prevent accidental startups after power has been interrupted, e.g. the tool was unplugged with the switch locked in the on position. To resume operation, turn on/off switch to the off position, then restart the tool.

Overload Protection:

Helps protect tool from excessive heat that may damage motor. If tool stops or slows during operation, allow motor to cool for 30 seconds by running no-load. If the overload protection stops the tool repeatedly, excessive force is causing the tool to overload. Stop excessive force and readjust work piece to reduce force applied.

Drop Control:

The power tool is equipped with sensors that detect impact to the grinder. The tool will turn off if it is dropped on most hard surfaces from height greater than one foot, or hit with force approximately equivalent to more than a one foot drop. After any impact or activation of the shut off feature, always inspect the grinder and the battery for signs of damage and do not use the tool or the battery if any damage is suspected.

Brake Operation

⚠️ WARNING Let the grinder accessory come to a complete stop before setting the tool down. The brake action of this grinder is not intended as a safety feature.

Using the appropriate guard when operating the grinder is your best protection against unintentional contact with a spinning accessory. Unintended contact with a rotating accessory can cause property damage and/or personal injury.

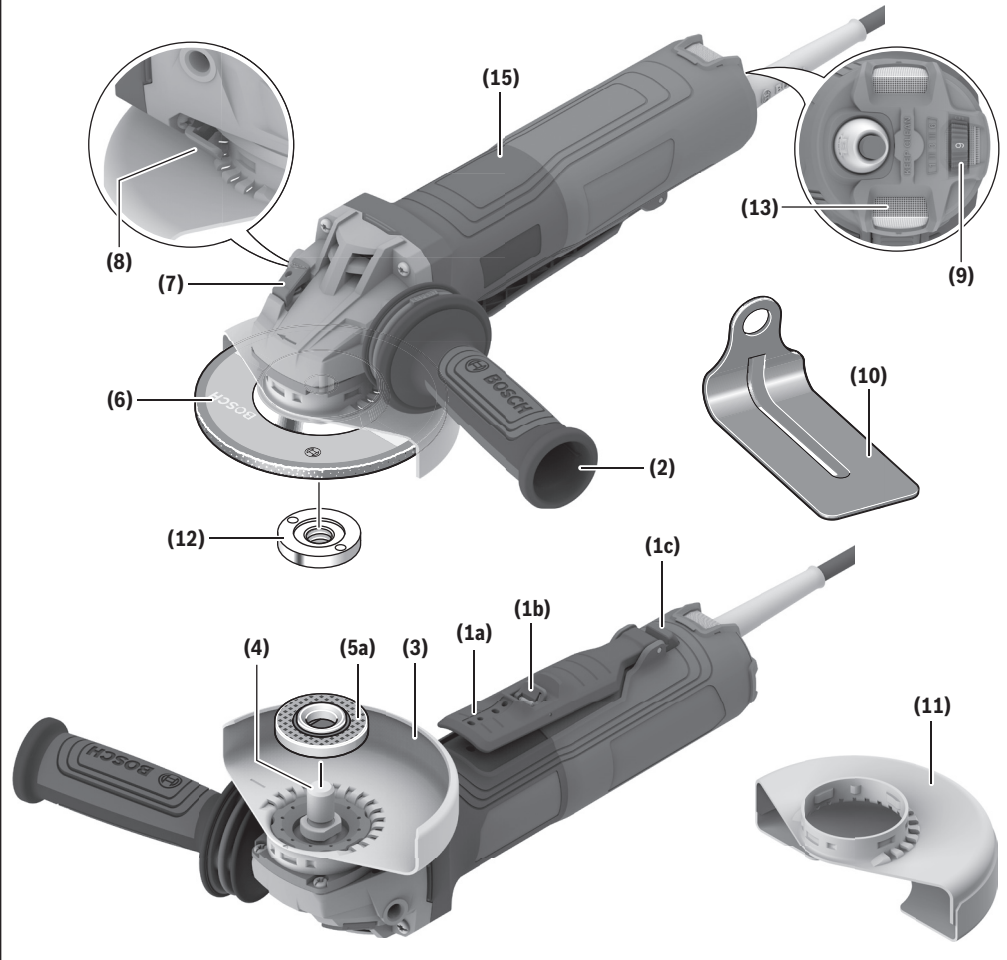
Your grinder is equipped with an automatic electric brake which is designed to help stop the accessory from spinning after you release the trigger switch.

Braking starts once the power is turned off. Stopping time will vary depending on, among other factors, type and size of accessory used, and number of actuations within a period of operating time. Factors such as contamination or failure of the motor's components can cause the brake not to activate. If the tool operates but the brake does not engage to help stop the accessory, DO NOT continue using the grinder, and have it serviced by a Bosch Factory Service Center or Bosch authorized service facility.

Getting to Know Your Product

Fig. 1

GWS14-50P Corded Angle Grinder with Paddle Switch

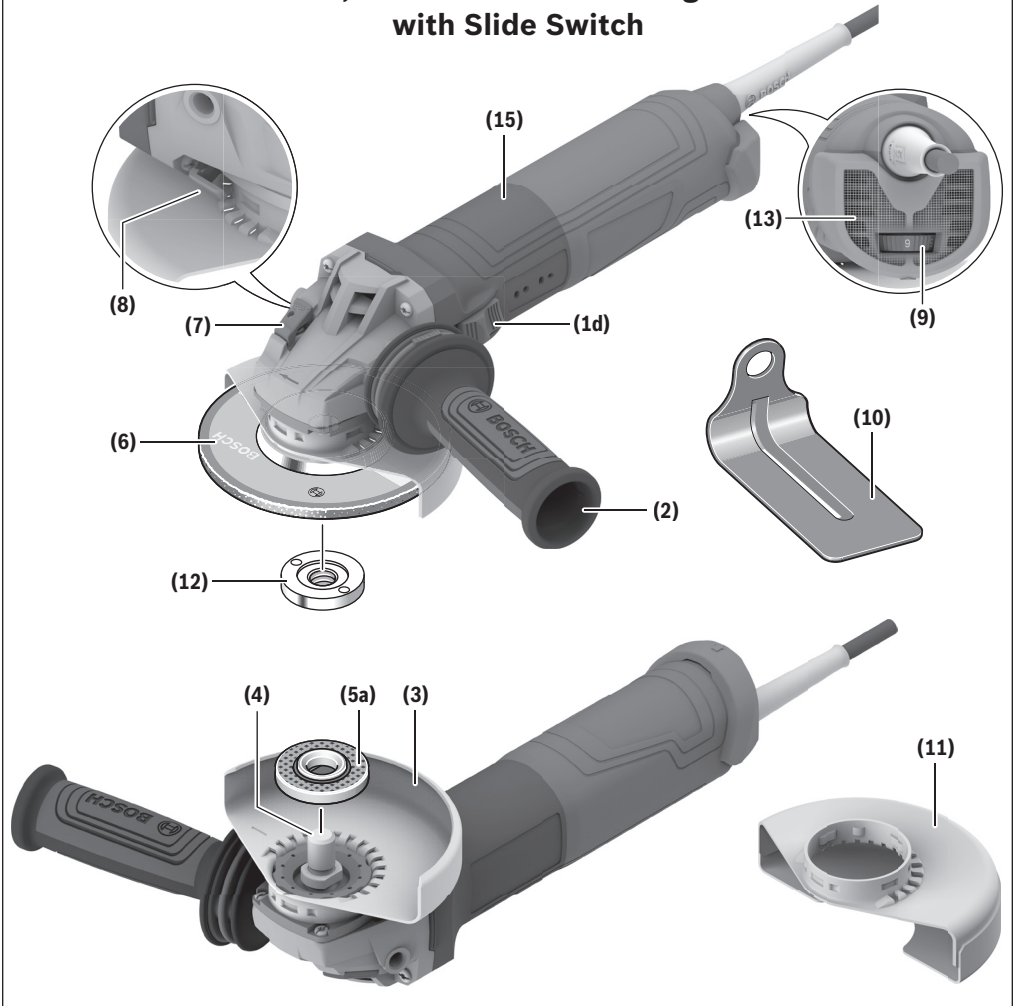


- | | |
|---|--|
| 1a Paddle Switch | 6 Grinding Wheel |
| 1b Lock-off Switch Release Lever | 7 Spindle Lock |
| 1c Lock-on Button | 8 Guard Release/Adjustment Lever |
| 2 Vibration Control Side Handle
(Insulated Gripping Surface) | 9 Variable Speed Dial (behind item 13) |
| 3 Type B (27) Grinding Wheel Guard | 10 Hand Shield (Sold Separately) |
| 4 Spindle | 11 Type A (1A/41) Cutting Wheel Guard |
| 5a Backing Flange (GWS14-50P, GWS14-50, GWS14-60) | 12 Lock Nut |
| | 13 Metal Mesh Filter |
| | 15 Insulated Gripping Surface |

Getting to Know Your Product

Fig. 2

GWS14-50, GWS14-60 Corded Angle Grinder with Slide Switch



1d Slide Switch

**2 Vibration Control Side Handle
(Insulated Gripping Surface)**

3 Type B (27) Grinding Wheel Guard

4 Spindle

5a Backing Flange (GWS14-50P, GWS14-50, GWS14-60)

6 Grinding Wheel

7 Spindle Lock

8 Guard Release/Adjustment Lever

9 Variable Speed Dial (behind item 13)

10 Hand Shield (Sold Separately)

11 Type A (1A/41) Cutting Wheel Guard

12 Lock Nut

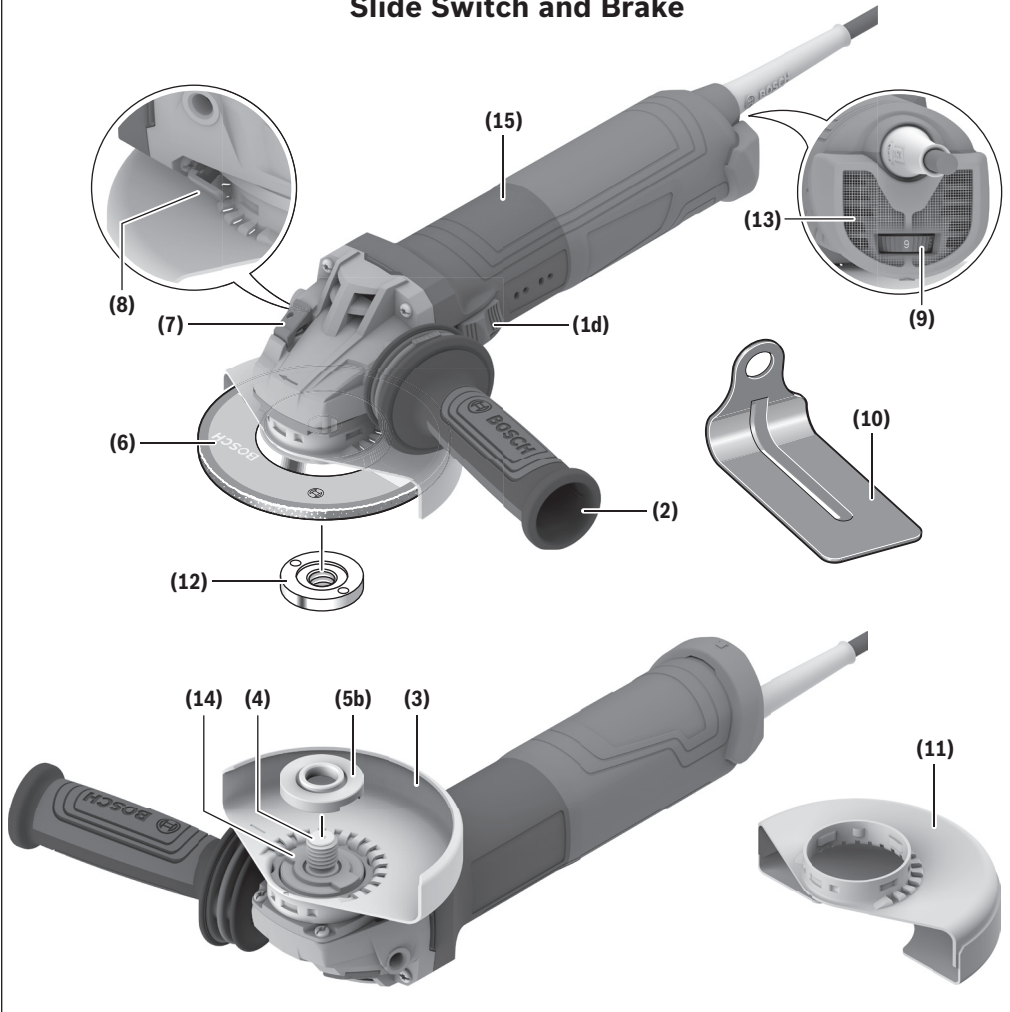
13 Metal Mesh Filter

15 Insulated Gripping Surface

Getting to Know Your Product

Fig. 3

GWS14-50B Corded Angle Grinder with Slide Switch and Brake



1d Slide Switch

2 Vibration Control Side Handle
(Insulated Gripping Surface)

3 Type B (27) Grinding Wheel Guard

4 Spindle

5b Backing Flange (GWS14-50B)

6 Grinding Wheel

7 Spindle Lock

8 Guard Release/Adjustment Lever

9 Variable Speed (behind item 13)

10 Hand Shield (Sold Separately)

11 Type A (1A/41) Cutting Wheel Guard

12 Lock Nut

13 Metal Mesh Filter

14 Backing Flange Subplate

15 Insulated Gripping Surface

Assembly

⚠️ WARNING Disconnect the plug from the power source before making any adjustments, changing accessories, or storing power tools. Such preventive safety measures reduce the risk of starting the power tool accidentally.

Vibration Control Side Handle

(Fig. 1, Fig. 2, Fig. 3)

The Vibration Control Side Handle **2** is used to control and balance the tool.

Securely thread Vibration Control Side Handle **2** into either side of gear housing, depending on personal preference, comfort, and operation being performed.

The Vibration Control Side Handle **2** should always be installed onto the guard protected side of the tool, see figure 6. Use the Vibration Control Side Handle **2** for safe control and ease of operation.

Hand Shield (Sold Separately)

(Fig. 1, Fig. 2, Fig. 3)

The Hand Shield **10** is to be used with backing pads, sanding discs, and wire brushes to keep fingers and hand away from work surface, sharp edges, burrs and debris.

When using the Hand Shield **10**, insert Vibration Control Side Handle **2** through hole in shield and then thread into housing. Ensure that Hand Shield **10** is positioned between hand and backing pad, sanding disc or wire brush.

Lock Nut and Backing Flange

(Fig. 1, Fig. 2)

Your tool is equipped with a threaded Spindle **4** for mounting non-threaded hub accessories. Always use the supplied Backing Flange **5a** with a Lock Nut **12**. The Backing Flange **5a** is keyed to Spindle **4**. Always ensure that arbor diameter matches accessory diameter. Accessories that run eccentrically may burst.

Lock Nut and Backing Flange (GWS14-50B)

⚠️ WARNING For grinders equipped with brakes only use specifically provided backing flanges. Do not use standard backing flanges on grinders with brakes. Using standard backing flanges may cause the wheel to loosen during braking and cause personal injury and property damage.

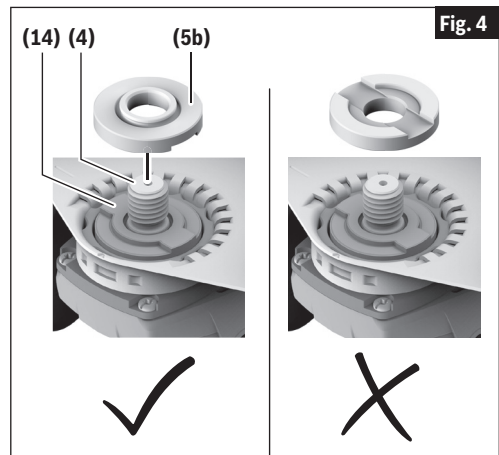
(Fig. 3, Fig. 4)

Grinder models having threaded Spindle **4** and equipped with brake use a specially designed Backing Flange **5b** and a non-removable Backing Flange Subplate **14** together with a locking nut to mount the wheel.

Before mounting accessory to the grinder, place the slotted Backing Flange **5b** over the Backing Flange Subplate **14**, making sure that the raised rectangular protrusion on the Backing Flange Subplate **14** is engaged in the slot on the bottom of the Backing Flange **5b**.

Non-threaded accessory should be placed over the Spindle **4** and be fully seated on the top of the Backing Flange **5b**.

Grinders with and without brake, having threaded Spindle **4**, use the same Locking Nut **12** to retain the accessory.



Assembly

Wheel Guard Installation (Type 27 and Type 1A/41 Wheel Guards)

(Fig. 5, Fig. 6)

⚠ WARNING A Type 27 guard must be used with all grinding wheels, bonded body sanding flap discs, wire brushes and wheels. The tool may be used without a guard only when sanding with conventional sanding discs.

⚠ WARNING A Type 1A/41A guard must be used for all cutting operations.

To Attach Wheel Guard

1. Unplug tool from power source.
2. Press and hold the Guard Release/Adjustment Lever **8** (Fig. 5), and place the guard on the guard mounting flange until the guard's keys line up with the notches in the spindle collar (Fig. 5A).
3. Press the guard onto the guard mounting flange until the shoulder of the guard is seated against the flange of the tool, and rotate the wheel guard clockwise until it clicks in place.
4. Adjust the position of the guard to the requirements of the work process. Press the Guard Release/Adjustment Lever **8** and turn the guard until it clicks into place then adjust as needed.

- Always position wheel guard between the operator and the work pieces and direct sparks away from the operator (Fig. 6)
- Ensure that the wheel guard is fully engaged with the Guard Release/Adjustment Lever **8**. The wheel guard should rotate only when the Guard Release/Adjustment Lever **8** is pressed. If the wheel guard rotates without pressing the Guard Release/Adjustment Lever **8** then stop using the grinder and have it serviced at a Bosch Authorized Service Center.

Note: The encoding keys on the guard ensure that only a guard that fits the tool type can be mounted.

To Remove Guard

1. Press Guard Release/Adjustment Lever **8**.

Fig. 5

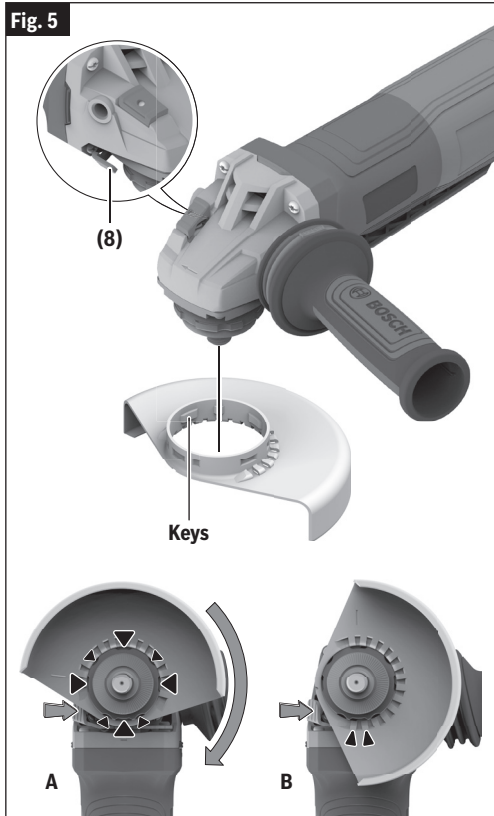
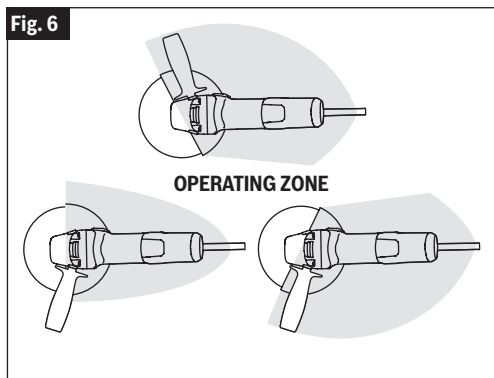


Fig. 6



2. Rotate guard until the keys on guard line up with the notches on the guard mounting flange.
3. Lift guard off the guard mounting flange.

Assembly

Disc Grinding Wheel Assembly

(Fig. 7, Fig. 8)

⚠ WARNING Do not use accessories that run eccentrically. The tool will vibrate excessively and may cause loss of control and the accessory may burst.

To Attach Grinding Wheel

1. Unplug tool from power source.
2. Be sure that Type B (27) Grinding Wheel Guard **3** is in place for grinding.
3. For **GWS14-50P, GWS14-50, GWS14-60**

Place Backing Flange **5a** and Type 27 Grinding Wheel **6** on the Spindle **4**. Make sure the Backing Flange **5a** locks into the base of the Spindle **4**.

For **GWS14-50B**

Place Backing Flange **5b** and Type 27 Grinding Wheel **6** on the Spindle **4**. Make sure the Backing Flange **5b** locks into the base of the Spindle **4**.

4. Thread on the Lock Nut **12** and tighten the Lock Nut **12** using the lock nut wrench, while holding the Spindle Lock **7**.

TO REMOVE: Reverse procedure.

When Using Spin-On Wheels

Follow steps 1 & 2, then thread wheel directly onto Spindle **4** without using the supplied flanges. Always make sure that the spin-on wheel is tightened correctly with an open-end wrench (not supplied).

TO REMOVE: Reverse procedure.

All parts of a spin-on wheel must be within the lip of Grinding Wheel Guard **3** (Fig. 8). If spin-on wheel is past the lip of the Grinding Wheel Guard **3**, do not use that wheel as it does not fit on this grinder.

Fig. 7

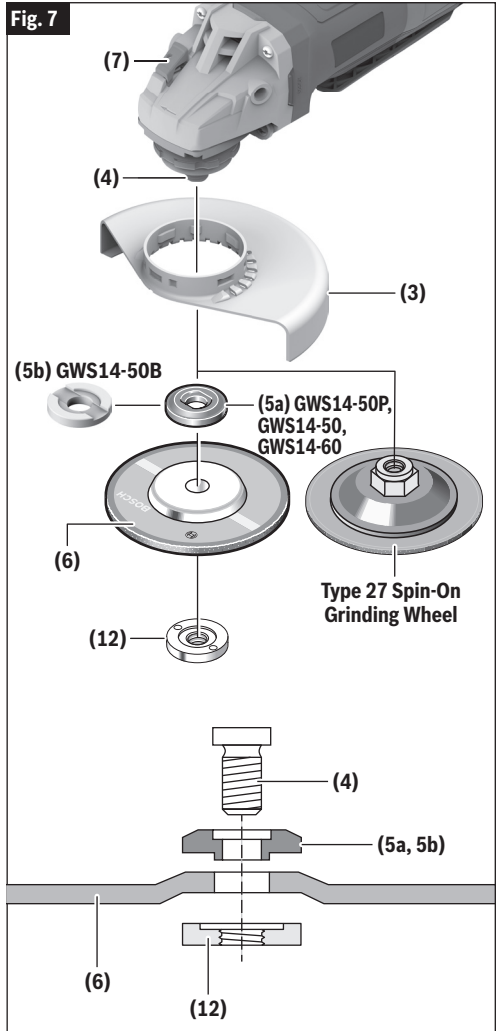
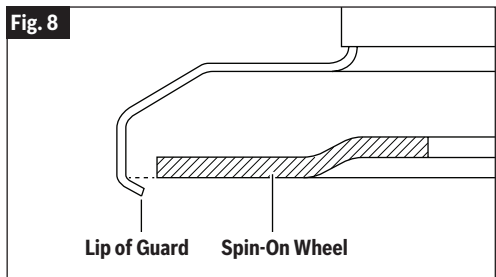


Fig. 8



Assembly

Type 1A/41 and 27A/42 Wheel Assembly

(Fig. 9)

⚠ WARNING Always use Type A (1A/41) cutting wheel guard for cutting.

Using the Type A (1A/41) Cutting Wheel Guard **11**, it is possible to perform limited cutting on small stock such as metal tubes, piping or rebar.

1. Unplug tool from power source.
2. Be sure that the Type A (1A/41) Cutting Wheel Guard **11** is in place for cutting.
3. For **GWS14-50P, GWS14-50, GWS14-60**

Place Backing Flange **5a** and Type 1A/41 Cutting Wheel or Type 27A/42 on the Spindle **4**. Make sure the Backing Flange **5a** locks into the base of the Spindle **4**.

For **GWS14-50B**

Place Backing Flange **5b** and Type 1A/41 Cutting Wheel or Type 27A/42 on the Spindle **4**. Make sure the Backing Flange **5b** locks into the base of the Spindle **4**.

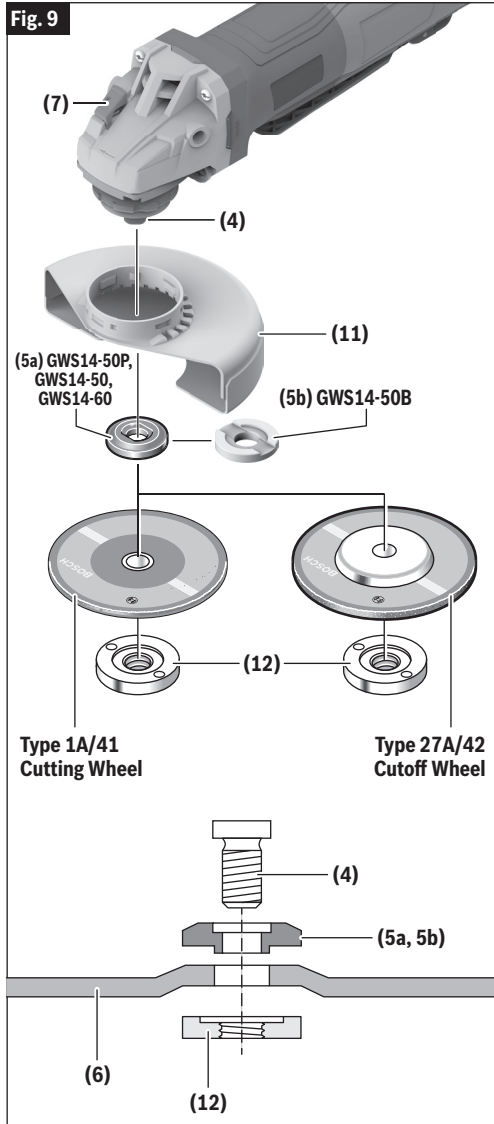
4. Thread on the Lock Nut **12** and tighten the Lock Nut **12** using the lock nut wrench, while holding the Spindle Lock **7**.

TO REMOVE: Reverse the procedure.

Type 1 Abrasive Straight Grinding Wheels

⚠ WARNING Do not use Type 1 abrasive wheels designed for straight/die grinding. This tool is not designed for use with Type 1 abrasive straight/die grinding wheels.

Fig. 9



Assembly

Sanding Assembly

⚠ WARNING The rated speed of the accessory must be at least equal to the maximum speed marked on the power tool. Accessories running faster than their rated speed can break and fly apart.

⚠ WARNING Wheel guard may not be used for most sanding operations. Always reinstall wheel guard when converting back to grinding operations.

⚠ WARNING Do not use the quick-clamping nut with backing pad for sanding accessories.

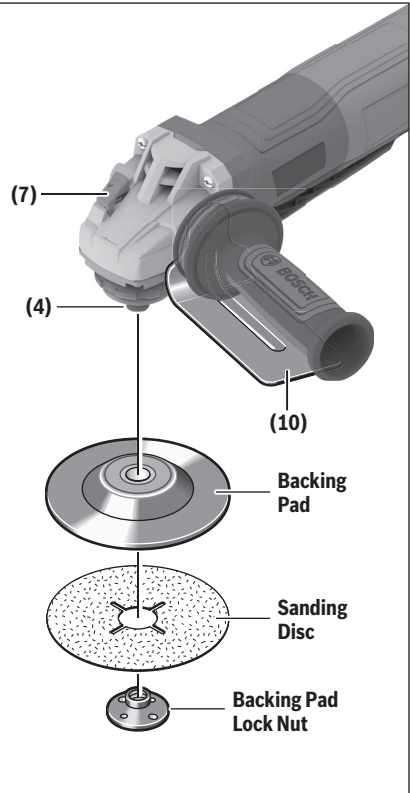
To Install Backing Pad and Sanding Disc

(Fig. 10)

1. Unplug tool from power source.
2. Attach the Hand Shield **10** (sold separately).
3. Set the tool on its top side (Spindle **4** up).
4. Place the rubber Backing Pad onto the Spindle **4** shaft.
5. Center the Sanding Disc on top of the Backing Pad.
6. Insert the Backing Pad Lock Nut through the Sanding Disc, and thread it onto the Spindle **4** as far as you can with your fingers.
7. Press in the Spindle Lock **7**, then tighten the Backing Pad Lock Nut securely with a lock nut wrench.

TO REMOVE: Reverse the procedure.

Fig. 10



Assembly

Wire Cup Brush Assembly

To Install Wire Cup Brush

(Fig. 11)

1. Unplug tool from power source.
2. Attach the Hand Shield **10** (sold separately).
3. Wire Cup Brushes are equipped with their own threaded hub. Simply thread the Wire Cup Brush onto the Spindle **4**. Be sure to seat the brush against the shoulder before turning the tool "ON."

TO REMOVE: Reverse procedure.

Wire Wheel Assembly

⚠ WARNING Always use Type B (27) grinding wheel guard with wire wheels (brushes). Not using wheel guard with wire wheels may cause injury.

To Install Wire Wheel

(Fig. 12)

1. Unplug tool from power source.
2. Install the Type B (27) Grinding Wheel Guard **3**.
3. Wire Wheels are equipped with their own threaded hub. Simply thread the Wire Wheel onto the Spindle **4**. Be sure to seat the Wire Wheel against shoulder before turning tool "ON."

TO REMOVE: Reverse the procedure.

Fig. 11

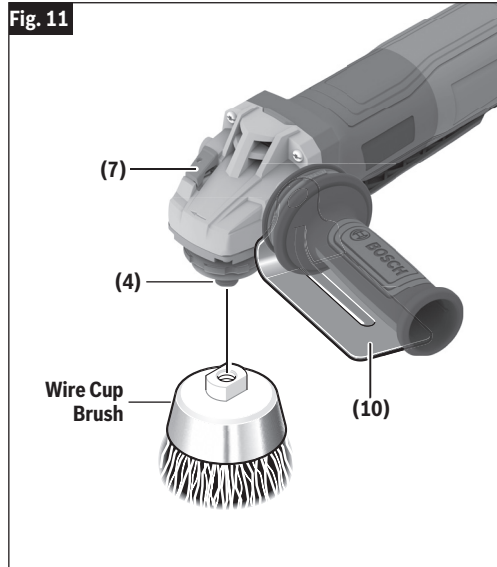
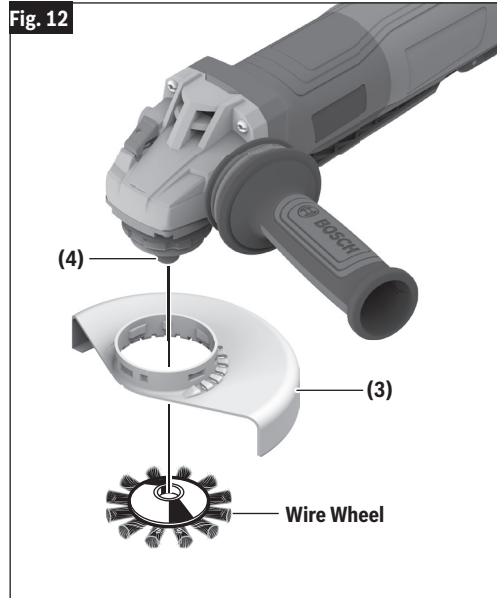


Fig. 12



Assembly

Type E (Diamond Surface Grinding Wheel Guard) with Concrete Dust Extraction Attachment for Surface Grinding

⚠ WARNING A Type B (27) grinding wheel guard may not be used for all tool operations. Do not discard guard when not in use. Always reinstall wheel guard when converting back to grinding operations.

⚠ WARNING Dust Extraction Attachment is not a guard, do not use with bonded abrasive wheels. Dust extraction attachment may not protect operator in the event of a wheel burst.

To Install Concrete Dust Extraction Attachment

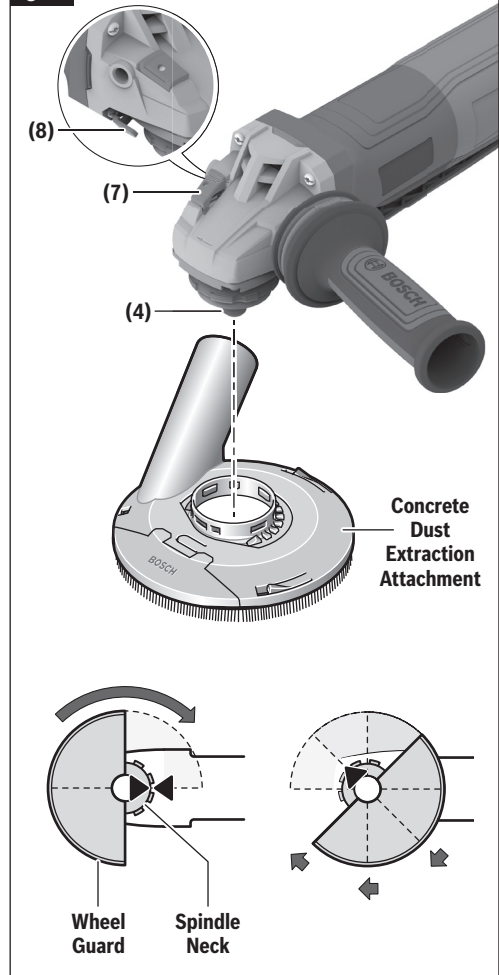
(Fig. 1, Fig. 2, Fig. 3, Fig. 13)

1. Unplug tool from power source.
2. Position the Concrete Dust Extraction Attachment on the Guard Mounting Flange with the dust port pointing away from the tool body.
3. Rotate the Concrete Dust Extraction Attachment clockwise 90° until it clicks in place.
4. Adjust the Concrete Dust Extraction Attachment by depressing the Guard Release/Adjustment Lever **8** and rotate the Concrete Dust Extraction Attachment to the desired position.
5. Allow the Guard Release/Adjustment Lever **8** to click in place.
6. Place the Backing Flange **5** on the Spindle **4**.
7. Place the diamond cup wheel onto the Spindle **4**, and align it with the Backing Flange **5**.
8. Thread on the Lock Nut **12** and tighten the Lock Nut **12** using the lock nut wrench, while holding the Spindle Lock **7**.

When using spin on wheels, follow steps 1 - 5, then thread the wheel directly onto the Spindle **4** without using the supplied flanges.

TO REMOVE: Reverse procedure.

Fig. 13



Assembly

Masonry Cutting Guard Assembly

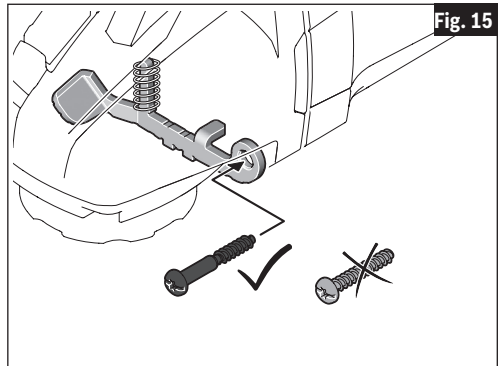
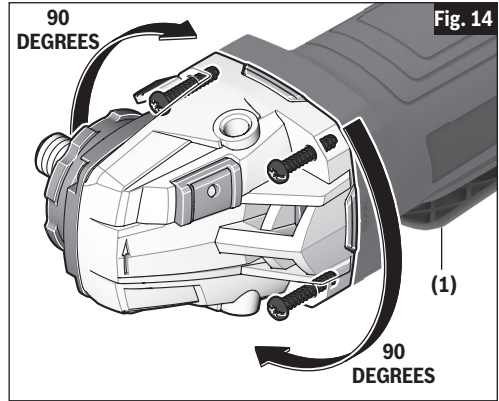
⚠ WARNING A Type B (27) grinding wheel guard may not be used for all tool operations. Do not discard guard when not in use. Always reinstall wheel guard when converting back to grinding operations.

To improve ergonomics of your grinder when cutting masonry, gearbox must be rotated relative to the position of the switch as the tool was assembled at the factory.

Rotate Gearbox

(Fig. 14, Fig. 15)

1. Unplug tool from power source.
2. Completely unscrew the four screws between the gear housing and motor body.
3. Rotate gear housing 90 degrees without removing motor from the housing (Fig. 14).
4. After adjusting the position of the gear housing, screw in and tighten the four screws.
5. The screw holding the guard release lever is longer than the other screws (Fig. 15), this long screw must stay with the guard release lever when re-attaching gear housing for the guard release button to operate properly.
6. To install proper guard follow instructions in the next section.



Assembly

Installing Masonry Type F (1A/41) Cutting Guard with Footplate

(Fig. 14, Fig. 15, Fig. 16, Fig. 17)

1. Unplug tool from power source.
2. Rotate the gearbox as shown in Fig. 14 and Fig. 15.
3. Unscrew and remove the Vibration Control Side Handle **2**.
4. Slide the Masonry Cutting Guard on the Guard Mounting Flange.
5. Rotate the Masonry Cutting Guard until the stability bracket and hole for the side handle are aligned.
6. Screw in the Vibration Control Side Handle **2** to secure the stability bracket between the tool housing and the Vibration Control Side Handle **2**.
7. Adjust the Masonry Cutting Guard to desired depth of cut.

TO REMOVE: Reverse procedure.

Installing a Dry Diamond Wheel

Follow all instructions provided with the masonry Type F (1A/41) cutting guard to prepare it for installation of compatible accessories and operation.

To Install Dry Diamond Wheel

(Fig. 16, Fig. 17)

1. For **GWS14-50P, GWS14-50, GWS14-60**

Place Backing Flange **5a** on the Spindle **4**. Make sure the Backing Flange **5a** locks into the base of the Spindle **4**, fig. 16.

For **GWS14-50B**

Place Backing Flange **5b** on the Spindle **4**. Make sure the Backing Flange **5b** locks into the base of the Spindle **4**, fig. 17.

2. Place the Dry Diamond Wheel over the Spindle **4** and align the arbor hole with the shoulder of the Backing Flange **5**.
3. Thread on the Lock Nut **12** and tighten with a lock nut wrench, while holding the Spindle Lock **7**.

TO REMOVE: Reverse procedure.

Fig. 16

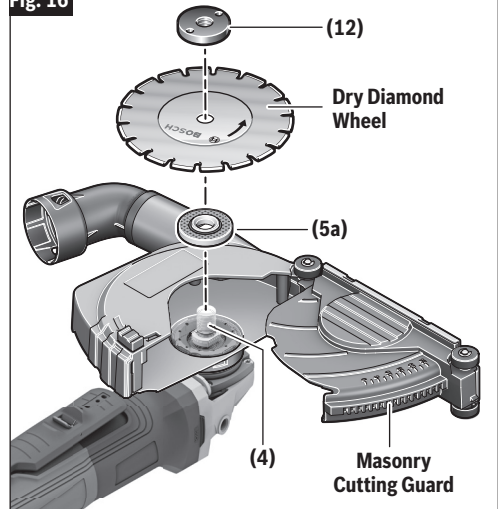
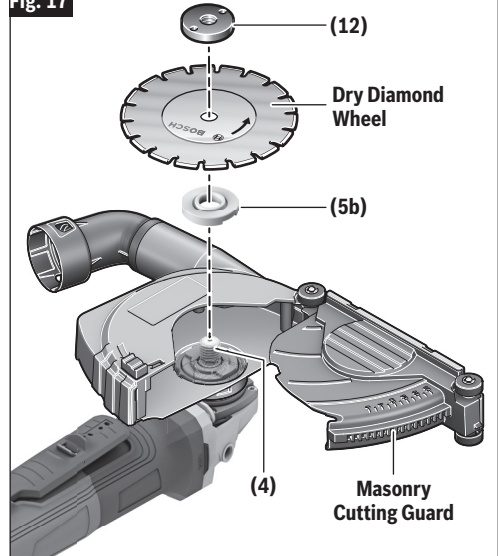
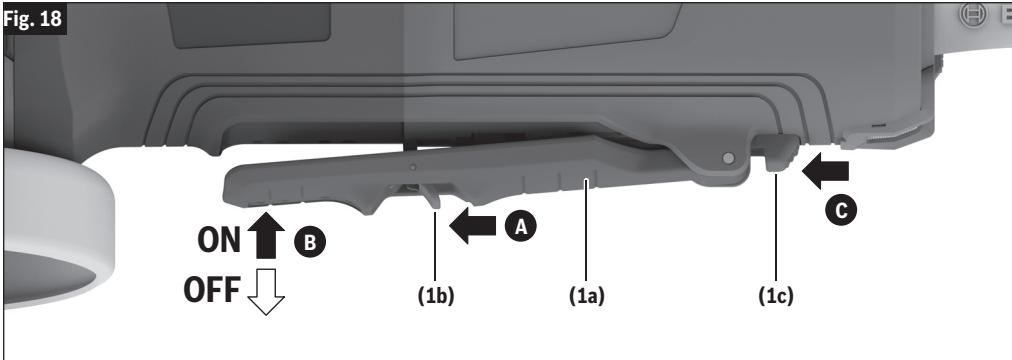


Fig. 17



Operation

Fig. 18



Paddle Switch with Lock-ON

(Fig. 18)

To Turn Tool ON

Push Lock-off Switch Release Lever **1b** forward to unlock the Paddle Switch **1a** **A**, then squeeze Paddle Switch **1a** **B**.

To engage Lock-ON, when the Paddle Switch **1a** is in the ON position, press the Lock-on Button **1c** **C** while simultaneously releasing the Paddle Switch **1a**. The Paddle Switch **1a** should remain in the Lock-ON position, and the tool will continue to run.

To Turn Tool OFF

Release Paddle Switch **1a**. The switch is spring loaded and will return to the "OFF" position automatically.

To turn the tool off when Lock-ON is engaged, first squeeze then release Paddle Switch **1a**.

Slide Switch with Lock-ON

To Turn the Tool ON

(Fig. 19)

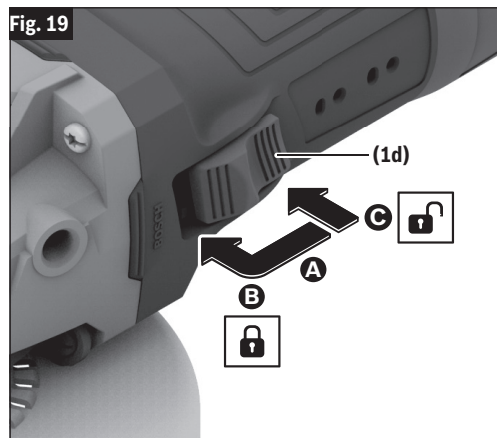
Slide the Slide Switch **1d** forward towards the Gear Housing until it comes to a stop and the motor starts running **A**.

For Lock-ON, when the Slide Switch **1d** is in the ON position, press the front of the Slide Switch **1d** **B**, and release it. The Slide Switch **1d** should remain in the Lock-ON position, and the tool will continue to run.

To Turn the Tool OFF

Press the rear portion of the Slide Switch **1d** **C**. The Slide Switch **1d** is spring loaded and will return to the OFF position automatically.

Fig. 19



Operation

Speed Preselection

⚠ WARNING The rated speed of the accessory must be at least equal to the maximum speed marked on the power tool. Accessories running faster than their rated speed can break and fly apart.

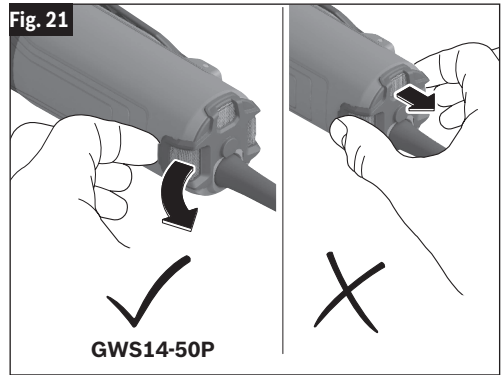
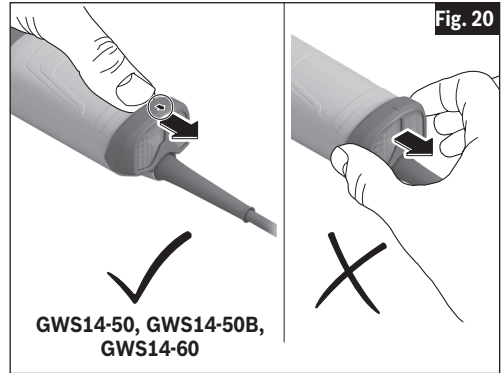
Variable Speed Dial Use

(Fig. 1, Fig. 2, Fig. 3, Fig. 20, Fig. 21)

The Variable Speed Dial **9** is located in the back of the grinder, next to the power cord. To minimize entry of dust particles and debris into the grinder, a Metal Mesh Filter **13** covers the Variable Speed Dial **9** and the intake vent openings.

To access the Variable Speed Dial **9** the Metal Mesh Filter **13** must be removed. Push firmly on the top edge of the Metal Mesh Filter **13** plastic rim towards the back of the grinder. To completely remove the Metal Mesh Filter **13**, it may also be necessary to push and slightly lift one of the filter sides. Do not discard the Metal Mesh Filter **13** cover.

Use the Variable Speed Dial **9** to select the proper speed for the application. Use the speed selector table below for reference. After making speed adjustments, reattach the Metal Mesh Filter **13** cover to the grinder by aligning the contour of the filter with the back end of the grinder housing.



Speed pre-selection level	GWS14-50P, GWS14-50, GWS14-50B [min ⁻¹]	GWS14-60 [min ⁻¹]
1	2800	2400
2	4500	4100
3	6300	5400
4	8200	6700
5	9800	8000
6	11,500	9700

The values specified for speed levels are guide values.

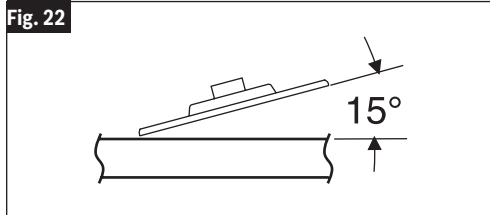
Operation

Metal Grinding

⚠ WARNING The rated speed of the accessory must be at least equal to the maximum speed marked on the power tool. Accessories running faster than their rated speed can break and fly apart.

Grinding wheels should be carefully selected in order to use the grinder most efficiently. Wheels vary in type of abrasive, bond, hardness, grit size and structure. The correct wheel to use is determined by the job. Use disc grinding wheels for fast grinding of structural steel, heavy weld beads, steel casting, stainless steel and other ferrous metals.

1. Allow the tool to reach full speed before touching the tool to the work surface.
2. Apply minimum pressure to the work surface, allowing the tool to operate at high speed. Grinding rate is greatest when the tool operates at high speed.
3. Maintain a 10° to 15° angle between the tool and work surface, (Fig. 22).



4. Continuously move the tool at a moderate speed to avoid creating gouges in the work surface.
5. Remove the tool from work surface before turning tool off. Allow the tool to stop rotating before laying it down.

Tip: When grinding with a new wheel be certain to grind while pulling tool backwards until the wheel becomes rounded on its edge. New wheels have sharp edges which tend to “bite” or cut into the work piece when pushed forward.

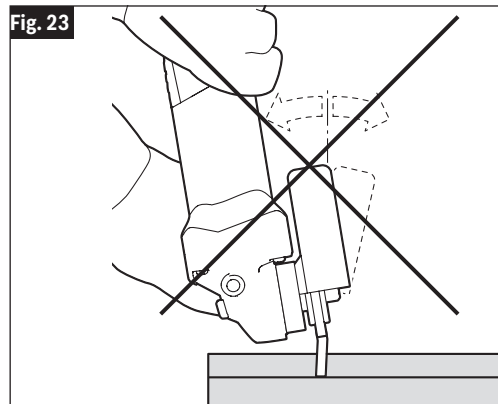
Metal Cutting

⚠ WARNING Always use Type A (1A/41) cutting wheel guard for cutting. Cutting with a Type B (27) wheel guard may not provide the operator sufficient protection in the event of a wheel burst.

With this grinder it is possible to perform cutting of limited small stock such as metal tubes, piping or rebar. When cutting, work with moderate feed, adapted to the material being cut. When cutting profiles and square bar, it is best to start at the smallest cross section.

Always follow precautions for kickback.

1. Allow the tool to reach full speed before touching the tool to the work surface.
2. The tool should always be used in such way that the sparks are directed away from user.
3. Apply minimum pressure to the work surface, allowing the tool to operate at high speed. Cutting rate is greatest when the tool operates at high speed.
4. Do not exert side pressure onto the cutting disc. Do not tilt or oscillate the tool as wheel may burst, (Fig. 23).



5. Remove the tool from the work surface before turning the tool off. Allow the tool to stop rotating before laying it down.

Operation

Masonry / Concrete Cutting

⚠WARNING When cutting never pull the tool backward since blade will climb out of the material and KICKBACK will occur.

With this grinder it is possible to perform cutting of concrete and masonry materials. When cutting, work with moderate feed, adapted to the material being cut.

Always follow precautions for kickback.

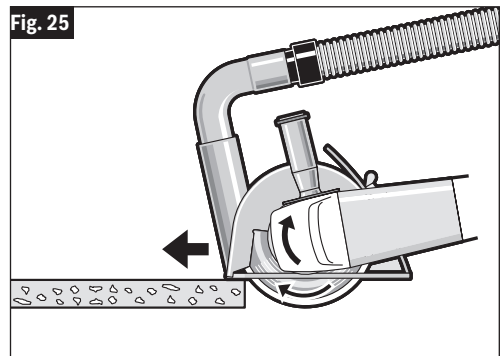
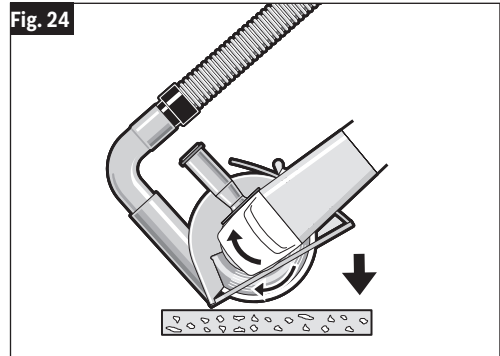
Operate the tool with a dust extraction system and personal dust protection, e.g. respirator, dust mask, etc. The vacuum used for this application must be approved for the extraction of masonry and concrete dust. Bosch sells suitable vacuum cleaners.

1. Allow the tool to reach full speed before touching the tool to the work surface.
2. If plunge cutting:
 - a. Tilt tool forward with wheel lined up with the cut line and hold the tool by the grinder body and the auxiliary handle (Fig. 24).
 - b. Gradually lower the rear of tool using the front end of the foot as the hinge point.
 - c. When the foot rests flat on the surface being cut, proceed cutting in forward direction to end of cut.
3. Always maintain contact between the guard foot and work piece.
4. Slide the tool forward at a moderate speed adapted to the material being cut. Always cut towards the dust extraction port to maximize dust extraction and reduce likelihood of kickback (Fig. 25).
5. Apply minimum pressure to the work surface, allowing the tool to operate at high speed. Cutting rate is greatest when the tool operates at high speed.
6. When the cut is completed, remove tool from work piece before turning off. Allow wheel to stop rotating before setting tool down.

Tip: When performing deep cuts, it is best to cut in several shallow passes. Each pass should be only to the segment depth of the wheel. Masonry dust is abrasive and may wear and weaken the segment bond.

When cutting especially hard material, e. g., concrete with large aggregate content, the dry diamond wheel can overheat and become damaged. This is clearly indicated by circular sparking of the rotating dry diamond wheel. In this case, interrupt the cutting process and allow the dry diamond wheel to cool by running the tool for a short period of time at the maximum speed with no-load.

Noticeable decreasing work progress and circular sparking are indications of a dry diamond wheel that has become dull. Briefly cutting into abrasive materials (e. g. brick) can resharpen the wheel.



Operation

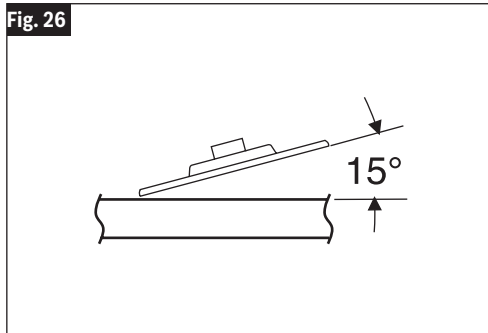
Sanding

Sanding discs range in grit from 16 (very course) to 180 (very fine). They also vary in size and spacing of grit.

Open coat (Type H) is used for soft materials and on paint and varnish. Closed coat (Type K) is used for metal, hardwood, stone, marble and other materials. To obtain best results, select sanding discs carefully. Many jobs require the use of several grit sizes and at times both open coat and closed coat discs are required to complete the job. See chart for application examples.

1. Allow the tool to reach full speed before touching the tool to the work surface.
2. Apply minimum pressure to the work surface, allowing the tool to operate at high speed. Sanding rate is greatest when the tool operates at high speed.
3. Maintain a 10° to 15° angle between the tool and work surface, (Fig. 26).

Fig. 26



4. Continuously move the tool at a moderate speed to avoid creating gouges in the work surface.
5. Remove the tool from work surface before turning tool off. Allow the tool to stop rotating before laying it down.

Tip: Guide the disc with crisscross strokes. Do not use a circular motion as this makes swirl marks.

Operation: Refinishing painted wood or metal surfaces.

REMARKS	GRIT
To remove paint and to smooth surface irregularities.	Coarse 16-24-30
To smooth the rough sanding.	Medium 36-50-80
To remove scratches left by previous discs.	Fine 100-120
To smooth surfaces for painting, polishing or waxing.	Very Fine 150-180

Operation

Polishing Metal and Concrete

⚠️ WARNING Do not use angle grinder for polishing painted surfaces or plastics. Using angle grinders for such applications may damage materials and surfaces.

Angle grinders may be used for some polishing operations such as creating smooth surfaces on metal, concrete, or stone. Polishing these materials requires certain skill and involves selection of proper accessories and grinder setting. All polishing operations begin with grinding to remove imperfections such as welds or burrs on metal, leveling uneven concrete areas, or making cuts in stone such as marble. Next step is to remove tool markings using backing pad with proper grit sanding disc, or polishing stones mounted on a Type 27 fiber/epoxy backing wheel, like a flap wheel having typical grit between 200-600.

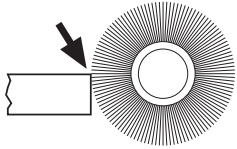
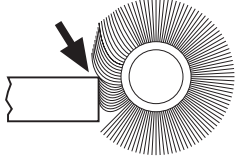
To create final smooth finish, a fine sanding disc or polishing stone having 1600 grit should be used. For best polishing results, grinder with variable speed is recommended and the speed should be set to approximately 4000 RPM. If available, felt wheel for angle grinders and polishing compound may also be used. When using a grinder without the variable speed adjustment, surface being worked on should be monitored carefully to avoid overheating due to friction.

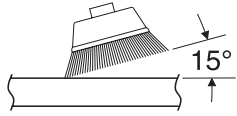
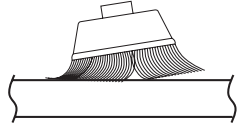
Wire Brush (Wheels and Cups)

Wire brushes are intended to “clean” structural steel, castings, sheet metal, stone, and concrete. They are used to remove rust, scale, and paint.

1. Allow the tool to reach full speed before touching the tool to the work surface.
2. Apply minimum pressure to the work surface, allowing the tool to operate at high speed.
3. Continuously move the tool at a moderate speed to avoid creating gouges in the work surface.
4. Remove the tool from work surface before turning tool off. Allow the tool to stop rotating before laying it down.

Tip: The tips of the brush do the work. Operate wire brushes with the lightest pressure so only the tips of the wire come in contact with the work piece. If heavier pressures are used, the wires will be overstressed, resulting in a wiping action and a shortened brush life due to wire fatigue. Applying the side or edge of the brush to the work piece will result in wire breakage and shortened brush life.

WIRE WHEEL BRUSH	
CORRECT: Wire tips doing the work.	
INCORRECT: Excessive pressure can cause wire breakage.	

WIRE CUP BRUSH	
CORRECT: Wire tips doing the work.	
INCORRECT: Excessive pressure can cause wire breakage.	

Maintenance

⚠ WARNING To avoid accidents, always disconnect the tool and/or charger from the power supply before servicing or cleaning.

Service

⚠ WARNING NO USER SERVICEABLE PARTS INSIDE. Maintenance performed by unauthorized personnel may result in misplacing of internal wires and components which could cause serious hazard. We recommend that all tool service be performed by a Bosch Factory Service Center or Authorized Bosch Service location.

Tool Lubrication

Your Bosch tool has been properly lubricated and is ready to use. It is recommended that tools with gears be regreased with a special gear lubricant at every brush change.

Carbon Brushes

The brushes and commutator in your tool have been engineered for many hours of dependable service. To maintain peak efficiency of the motor, we recommend every two to six months the brushes be examined. Only genuine Bosch replacement brushes specially designed for your tool should be used.

Cleaning

⚠ CAUTION Certain cleaning agents and solvents damage plastic parts. Some of these are: gasoline, carbon tetrachloride, chlorinated cleaning solvents, ammonia and household detergents that contain ammonia.

Ventilation openings, press jaw holder, and buttons must be kept clean and free of foreign matter. Do not attempt to clean by inserting pointed objects through opening.

Accessory Storage and Maintenance

Store accessories in a cool dry place and avoid freezing. Before use, check accessory for cracks and fractures, do not use if damage is suspected.

Extension Cords

⚠ WARNING If an extension cord is necessary, a cord with adequate size conductors that is capable of carrying the current necessary for your tool must be used. This will prevent excessive voltage drop, loss of power or overheating. Grounded tools must use 3-wire extension cords that have 3-prong plugs and receptacles.

NOTE: The smaller the gauge number, the heavier the cord.

RECOMMENDED SIZES OF EXTENSION CORDS 120 VOLT ALTERNATING CURRENT TOOLS

Tool's Ampere Rating	Cord Size in A.W.G.				Wire Sizes in mm ²			
	Cord length in feet				Cord length in Meters			
	25	50	100	150	15	30	60	120
3-6	18	16	16	14	0.75	0.75	1.5	2.5
6-8	18	16	14	12	0.75	1.0	2.5	4.0
8-10	18	16	14	12	0.75	1.0	2.5	4.0
10-12	16	16	14	12	1.0	2.5	4.0	–
12-16	14	12	–	–	–	–	–	–

Accessories

⚠ WARNING Do not use attachments/accessories other than those specified by Bosch. Use of attachments/accessories not specified for use with the tool described in this manual may result in damage to tool, property damage, and or personal injury.

⚠ WARNING Do not use Type 11 abrasive (cup) wheels with this tool. This tool is not designed for use with Type 11 (cup) abrasive grinding wheels.

Optional Accessories and Attachments	Catalog Number
Type F Concrete and/or Masonry Cutting Guards	18DC-5E
Concrete Dust Extraction Attachment	18SG-5E
Backing Pad Assembly	MG0450 or MG0500
Hand Shield	1601329013



Symboles relatifs à la sécurité

Les définitions ci-dessous décrivent le niveau de gravité pour chaque terme concernant des précautions à prendre. Veuillez lire le mode d'emploi et lire la signification de ces symboles.

	C'est le symbole d'alerte relatif à la sécurité. Il est utilisé pour vous avertir de l'existence possible d'un risque de blessure. Obéissez à tous les messages relatifs à la sécurité qui suivent ce symbole pour éviter tout risque de blessure ou même de mort.
	DANGER indique une situation dangereuse qui, si elle n'est pas évitée, causera la mort d'une personne ou une blessure grave.
	AVERTISSEMENT indique une situation dangereuse qui, si elle n'est pas évitée, pourrait causer la mort d'une personne ou une blessure grave.
	MISE EN GARDE indique une situation dangereuse qui, si elle n'est pas évitée, pourrait causer une blessure légère ou modérée.

Table des matières

Avertissements généraux concernant la sécurité des outils lectroportatifs	37	Ensemble de ponçage	57
Avertissements spécifiques à la sécurité des outils électroportatifs	39	Ensemble de brosse métallique	58
Avertissements supplémentaires concernant la sécurité	42	Ensemble de brosse métallique à touret	58
Utilisation prévue	44	Attachement d'extraction des poussières de béton pour le meulage de surfaces de Type E (dispositif de protection de meule abrasive à surface diamantée)	59
Spécifications	45	Montage du dispositif de protection pour un outil de coupe de maçonnerie	60
Applications	46	Installation d'un dispositif de protection pour la coupe de maçonnerie de Type F (1A/41) avec plaque de base	61
Symboles	47	Installation d'une meule diamantée pour coupe à sec	61
Descriptions fonctionnelles	49	Consignes de fonctionnement	62
Opération de freinage	49	Interrupteur à palette avec verrouillage en position activée	62
Familiarisez-vous avec votre produit	50	Interrupteur coulissant avec verrouillage en position activée	62
Assemblage	53	Présélection de la vitesse	63
Poignée latérale antivibrations	53	Meulage des métaux	64
Protège-main (accessoire en option)	53	Coupe de métal	64
Écrou de blocage et bride d'appui	53	Coupe de maçonnerie/béton	65
Écrou de blocage et bride d'appui (GWS14-50B)	53	Ponçage	66
Installation des dispositifs de protection de la meule (dispositifs de protection de meules de Type 27 et de Type 1A/41)	54	Polissage du métal et du béton	67
Ensemble de meule	55	Brosse métallique (meules et coupelles)	67
Ensemble de meule de Type 1A/41 et 27A/42	56		
Meules abrasives droites de Type 1	56		





Table des matières

Entretien	68	Rangement & maintenance des accessoires	68
Service	68	Cordons de rallonge	69
Graissage de l'outil	68	Accessories	69
Balais ou charbons.	68		
Nettoyage.	68		

Avertissements généraux concernant la sécurité des outils lectroportatifs

⚠ AVERTISSEMENT Lisez toutes les consignes de sécurité, instructions, illustrations et spécifications fournies avec cet outil électrique. Le non-respect de toutes les instructions figurant ci-après pourrait causer un choc électrique, un incendie et/ou des blessures graves.

CONSERVEZ TOUS LES AVERTISSEMENTS ET TOUTES LES CONSIGNES DE SÉCURITÉ POUR RÉFÉRENCE FUTURE.

Dans les avertissements, le terme « outil électroportatif » se rapporte à votre outil branché sur le secteur (avec fil) ou à votre outil alimenté par piles (sans fil).

1. Sécurité du lieu de travail

- a. **Maintenez le lieu de travail propre et bien éclairé.** Les risques d'accident sont plus élevés quand on travaille dans un endroit encombré ou sombre.
- b. **N'utilisez pas d'outils électroportatifs dans des atmosphères explosives, comme par exemple en présence de gaz, de poussières ou de liquides inflammables.** Les outils électroportatifs produisent des étincelles qui risquent d'enflammer les poussières ou les vapeurs.
- c. **Éloignez les enfants et les visiteurs quand vous vous servez d'un outil électroportatif.** Vous risquez une perte de contrôle si on vous distrait.

2. Sécurité électrique

- a. **Les fiches des outils électroportatifs doivent correspondre à la prise. Il ne faut absolument jamais modifier la fiche. N'utilisez pas d'adaptateur de prise avec des outils électroportatifs munis d'une fiche de terre.** Le risque de choc électrique est moindre si on utilise une fiche non modifiée sur une prise qui lui correspond.
- b. **Évitez tout contact du corps avec des surfaces reliées à la terre tels que tuyaux, radiateurs, gazinières ou réfrigérateurs.** Le risque de choc électrique augmente si votre corps est relié à la terre.
- c. **N'exposez pas les outils électroportatifs à la pluie ou à l'humidité.** Si de l'eau pénètre dans un outil électroportatif, le risque de choc électrique augmente.

- d. **Ne maltraitez pas le cordon. Ne vous en servez jamais pour transporter l'outil électroportatif, pour le tirer ou pour le débrancher. Éloignez le cordon de la chaleur, des huiles, des arêtes coupantes ou des pièces mobiles.** Les cordons abîmés ou emmêlés augmentent les risques de choc électrique.
- e. **Si vous utilisez un outil électroportatif à l'extérieur, employez une rallonge conçue pour l'extérieur.** Ces rallonges sont faites pour l'extérieur et réduisent le risque de choc électrique.
- f. **S'il est absolument nécessaire d'utiliser l'outil électroportatif dans un endroit humide, utilisez une alimentation protégée par un disjoncteur de fuite de terre (GFCI).** L'utilisation d'un disjoncteur GFCI réduit les risques de choc électrique.

3. Sécurité personnelle

- a. **Restez concentré, faites attention à ce que vous faites, et servez-vous de votre bon sens lorsque vous utilisez un outil électroportatif. N'employez pas d'outils électroportatifs quand vous êtes fatigué ou sous l'emprise de drogues, d'alcool ou de médicaments.** Quand on utilise des outils électroportatifs, il suffit d'un moment d'inattention pour causer des blessures corporelles graves.
- b. **Utilisez des équipements de sécurité personnelle. Portez toujours une protection oculaire.** Le port d'équipements de sécurité tels que des masques anti-poussières, des chaussures de sécurité antidérapantes, des casques de chantier et des protecteurs d'oreilles dans des conditions appropriées réduira le risque de blessure corporelle.



Avertissements généraux concernant la sécurité des outils lectroportatifs

- c. **Évitez les démarrages intempestifs. Assurez-vous que l'interrupteur est dans la position arrêt (Off) avant de brancher l'outil dans une prise de courant et/ou un bloc-piles, de le ramasser ou de le transporter.** Le transport d'un outil électroportatif avec le doigt sur la gâchette ou le branchement de cet outil quand l'interrupteur est en position de marche (ON) est une invite aux accidents.
- d. **Enlevez toutes les clés de réglage avant de mettre l'outil électroportatif en marche.** Si on laisse une clé sur une pièce tournante de l'outil électroportatif, il y a risque de blessure corporelle.
- e. **Ne vous penchez pas. Conservez toujours une bonne assise et un bon équilibre.** Ceci vous permettra de mieux maîtriser l'outil électroportatif dans des situations inattendues.
- f. **Habillez-vous de manière appropriée. Ne portez pas de vêtements amples ou de bijoux. Attachez les cheveux longs. N'approchez pas les cheveux, les vêtements ou les gants des pièces en mouvement.** Les vêtements amples, les bijoux ou les cheveux longs risquent d'être happés par les pièces en mouvement.
- g. **Si l'outil est muni de dispositifs permettant le raccordement d'un système d'aspiration et de collecte des poussières, assurez-vous que ces dispositifs sont raccordés et utilisés correctement.** L'utilisation d'un dépoussiéreur peut réduire les dangers associés à l'accumulation de poussière.
- h. **Ne laissez pas la familiarité résultant de l'utilisation fréquente des outils vous inciter à devenir complaisant(e) et à ignorer les principes de sécurité des outils.** Une action négligente pourrait causer des blessures graves en une fraction de seconde.
- d. **Rangez les outils électroportatifs dont vous ne vous servez pas hors de portée des enfants et ne permettez pas à des personnes qui ne connaissent pas l'outil électroportatif ou qui ignorent ces consignes de s'en servir.** Les outils électroportatifs sont dangereux dans les mains d'utilisateurs inexpérimentés.
- e. **Entretenez de façon appropriée les outils électriques et les accessoires. Assurez-vous que les pièces en mouvement sont bien alignées et qu'elles ne se coincent pas, qu'il n'y a pas de pièces cassées ou qu'il n'existe aucune situation pouvant affecter le fonctionnement de l'outil électrique. Si l'outil est abîmé, faites-le réparer avant de l'utiliser.** De nombreux accidents sont causés par des outils électroportatifs mal entretenus.
- f. **Maintenez les outils coupants affûtés et propres.** Les outils coupants entretenus correctement et dotés de bords tranchants affûtés sont moins susceptibles de coincer et sont plus faciles à maîtriser.
- g. **Utilisez l'outil électroportatif, les accessoires et les embouts d'outil, etc. conformément à ces instructions, en tenant compte des conditions de travail et des travaux à réaliser.** L'emploi d'outils électroportatifs pour des tâches différentes de celles pour lesquelles ils ont été prévus peut résulter en une situation dangereuse.
- h. **Gardez les poignées et les surfaces de préhension propres, sèches et exemptes de toute trace d'huile ou de graisse.** Les poignées et les surfaces de préhension glissantes ne permettent pas une manipulation et un contrôle sûrs de l'outil dans des situations inattendues.

5. Entretien

- a. **Faites réparer votre outil électroportatif par un agent de service qualifié n'utilisant que des pièces de rechange identiques.** Ceci assure que la sécurité de l'outil électroportatif est préservée.

4. Utilisation et entretien des outils électroportatifs

- a. **Ne forcez pas sur l'outil électroportatif. Utilisez l'outil électroportatif qui convient à la tâche à effectuer.** L'outil qui convient à la tâche fait un meilleur travail et est plus sûr à la vitesse pour lequel il a été conçu.
- b. **Ne vous servez pas de l'outil électroportatif si son interrupteur ne parvient pas à le mettre en marche ou à l'arrêter.** Tout outil électroportatif qui ne peut pas être commandé par son interrupteur est dangereux et doit être réparé.
- c. **Débranchez la fiche de la prise secteur et/ou retirez le bloc-piles de l'outil électrique (s'il est amovible) avant d'y apporter de quelconques modifications, de changer d'accessoire ou de ranger l'outil électrique.** De telles mesures de sécurité préventive réduisent le risque de démarrage intempestif de l'outil électroportatif.

Avertissements spécifiques à la sécurité des outils électroportatifs

1. Avertissements courants relatifs à la sécurité pour les opérations de meulage, de ponçage, de brossage avec un instrument métallique, de polissage ou de tronçonnage :

- a. **Cet outil électrique est conçu pour fonctionner comme une meuleuse, une ponceuse, une brosse métallique, une polisseuse, ou une tronçonneuse. Lisez tous les avertissements relatifs à la sécurité, ainsi que toutes les instructions, les illustrations et les spécifications fournies avec cet outil électrique.** Le non-respect de toutes les instructions figurant ci-après pourrait causer un choc électrique, un incendie et/ou des blessures graves.
- b. **Les opérations telles que la découpe de trous ne doivent pas être effectuées avec cet outil électrique.** Des opérations pour lesquelles l'outil électrique n'a pas été conçu peuvent créer des dangers et causer des blessures.
- c. **Ne convertissez pas cet outil électrique de façon à ce qu'il fonctionne d'une manière qui n'est pas spécifiquement conçue et indiquée par le fabricant de l'outil.** Une telle conversion peut entraîner une perte de contrôle et causer des blessures graves.
- d. **N'utilisez pas d'accessoires qui n'ont pas été conçus et spécifiés spécifiquement par le fabricant de l'outil.** Le simple fait qu'un accessoire puisse être attaché à votre outil électrique ne garantit pas qu'il pourra fonctionner sans danger.
- e. **La vitesse nominale des accessoires doit être au moins égale à la vitesse de fonctionnement maximum indiquée sur l'outil électrique.** Si des accessoires fonctionnent à une vitesse supérieure à leur vitesse nominale, ils risquent de se casser et d'être projetés dans l'air.
- f. **Le diamètre extérieur et l'épaisseur de votre accessoire doivent tenir compte de la capacité nominale de votre outil électrique.** Des accessoires de tailles incorrectes ne peuvent pas être gardés ou contrôlés de façon adéquate.
- g. **Les dimensions du support de montage de l'accessoire doivent correspondre aux dimensions du matériel de fixation de l'outil électrique.** Les accessoires qui ne correspondent pas au petit matériel de montage de l'outil électrique fonctionneront de manière déséquilibrée, vibreront de façon excessive et risquent de causer une perte de contrôle de l'outil.
- h. **N'utilisez pas un accessoire endommagé. Avant chaque utilisation inspectez les accessoires tel que les meules abrasives pour les copeaux et les fissures, le tampon de support pour les fissures, les déchirures ou l'usure excessive, ou la brosse métallique pour les fils lâches ou fissurés. Si l'outil électrique ou l'accessoire est tombé, inspectez-le pour vous assurer qu'il n'est pas endommagé ou installez un accessoire qui n'est pas endommagé.** Après l'inspection et l'installation d'un accessoire, positionnez-vous et demandez aux autres personnes présentes de se tenir à l'écart du plan de l'accessoire rotatif, et faites tourner l'outil électrique à la vitesse maximale à vide pendant une minute. S'ils sont endommagés, les accessoires se briseront normalement pendant cette période de test.
- i. **Utilisez des équipements de protection personnelle. En fonction de l'application, utilisez un masque, des lunettes de protection des yeux ou des lunettes de sécurité. Selon le cas, portez un masque anti-poussière, des protections auditives, des gants et un tablier d'atelier capable d'arrêter les petits fragments abrasifs ou autres éléments projetés. La protection oculaire doit être capable d'arrêter les débris volants générés par diverses applications.** Le masque anti-poussière ou le respirateur doit être capable de filtrer les particules générées par l'application particulière. Une exposition prolongée à un bruit de haute intensité peut causer une perte auditive.
- j. **Assurez-vous que toutes les personnes présentes se tiennent à une distance suffisante de la zone de travail. Toute personne entrant dans la zone de travail doit porter des équipements de protection individuelle.** Des fragments de l'ouvrage ou d'un accessoire cassé pourraient être projetés dans l'air et causer des blessures au-delà de la zone d'utilisation immédiate.
- k. **Tenez seulement l'outil électrique par ses surfaces de préhension isolées lorsque vous effectuez une opération dans le cadre de laquelle l'accessoire de coupe risque d'entrer en contact avec un fil caché ou avec son propre cordon d'alimentation.** L'entrée en contact d'un accessoire de coupe avec un fil sous tension pourrait rendre conductrices des parties en métal exposées de l'outil électrique et causer un choc électrique à l'opérateur.
- l. **Positionnez le cordon d'alimentation hors de portée de l'accessoire en train de tourner.** Si vous perdez contrôle, le cordon d'alimentation risque d'être coupé ou happé, et votre main ou votre bras pourrait être attiré par l'accessoire en train de tourner.
- m. **Ne posez jamais l'outil électrique avant que l'accessoire se soit arrêté complètement.** L'accessoire en train de tourner pourrait attraper la surface et attirer l'outil électrique, vous en faisant ainsi perdre le contrôle.
- n. **Ne laissez pas l'outil électrique en marche pendant que vous le portez à vos côtés.** Un contact accidentel avec l'accessoire en train de tourner pourrait attraper vos vêtements et attirer l'accessoire contre votre corps.
- o. **Nettoyez périodiquement les événements d'aération de l'outil électrique.** Le ventilateur du moteur va aspirer la poussière à l'intérieur du boîtier, et une accumulation ex-

Avertissements spécifiques à la sécurité des outils électroportatifs

cessive de poudre métallique peut entraîner des risques électriques.

- p. **N'utilisez pas l'outil électrique à proximité de matériaux inflammables.** Des étincelles pourraient mettre le feu à ces matériaux.
- q. **N'utilisez pas d'accessoires qui nécessitent des liquides de refroidissement.** L'utilisation d'eau ou d'autres liquides de refroidissement pourrait causer une électrocution ou un choc électrique.

2. Effet de rebond et avertissements associés :

L'effet de rebond est une réaction soudaine quand la meule en train de tourner ou un disque d'appui, une brosse ou un autre accessoire se coince ou est obstrué. Le pincement ou l'obstruction provoque un calage rapide de l'accessoire rotatif qui, à son tour, amène l'outil électrique non contrôlé à être forcé dans la direction opposée à la rotation de l'accessoire au point de coincement.

Par exemple, si une meule abrasive est coincée ou obstruée par l'ouvrage, le bord de la meule qui entre à l'endroit du pincement peut s'enfoncer dans la surface du matériau et faire grimper la meule ou l'éjecter. La meule peut alors sauter et se déplacer en direction de l'opérateur ou dans le sens contraire, en fonction du sens du mouvement de la meule au point de coincement. Une meule abrasive peut également se casser dans de telles conditions.

Le rebond est la conséquence d'une utilisation incorrecte de l'outil électrique et/ou de conditions de fonctionnement inappropriées ou de procédures opérationnelles incorrectes ; il peut être évité en prenant des précautions appropriées, comme cela est indiqué ci-dessous.

- a. **Maintenez une bonne prise des deux mains sur l'outil électrique, et positionnez votre corps et vos bras de façon à vous permettre de résister aux forces de l'effet de rebond. Utilisez toujours la poignée auxiliaire, si elle est fournie, pour assurer le contrôle maximum sur le rebond ou la réaction de couple lors de la mise en marche.** L'opérateur peut contrôler les forces de l'effet de rebond ou la réaction de couple s'il prend des précautions appropriées.
- b. **Ne placez jamais vos mains à proximité de l'accessoire en train de tourner.** L'accessoire pourrait rebondir et être projeté sur votre main.
- c. **Ne positionnez pas votre corps dans la zone où l'outil électrique risque d'être projeté en cas d'effet de rebond.** L'effet de rebond projettera l'outil dans le sens opposé au mouvement de la meule au point de coincement.

- d. **Évitez de faire rebondir ou de coincer l'accessoire, en particulier lorsque vous travaillez dans des coins, sur des bords tranchants, etc.** Les coins, les bords tranchants et les rebondissements ont tendance à coincer l'accessoire en train de tourner et causer une perte de contrôle ou un choc en retour.
- e. **N'attachez pas de chaîne de scie, de lame pour couper du bois ou de meule diamantée segmentée avec un écart périphérique supérieur à 10 mm / 13/32 po ou une lame de scie dentée.** De telles lames produisent souvent des rebonds et une perte de contrôle.

3. Avertissements spécifiques relatifs à la sécurité pour les travaux de meulage et de tronçonnage :

- a. **Utilisez seulement des types de meules qui sont spécifiées pour votre outil électrique avec le dispositif de protection spécifique conçu pour la meule sélectionnée.** Les meules pour lesquelles l'outil électrique n'a pas été conçu ne peuvent pas être protégées de façon adéquate et sont donc dangereuses.
- b. **La surface de meulage des meules déportées au centre doit être montée en dessous du plan de la lèvre du dispositif de protection.** Une meule montée de façon inappropriée qui dépasse le plan de la lèvre du dispositif de protection ne peut pas être protégée de manière adéquate.
- c. **Le dispositif de protection doit être attaché solidement à l'outil électrique et être positionné de façon à assurer le maximum de sécurité, pour que la partie la plus petite possible de la meule soit exposée vers l'opérateur.** Le dispositif de protection aide à protéger l'opérateur contre la projection de fragments de meules brisées, contre tout contact accidentel avec la meule et contre l'exposition à des étincelles qui pourraient mettre le feu à des vêtements.
- d. **Les meules ne doivent être utilisées que pour les applications spécifiées. Par exemple : ne faites pas de meulage avec le côté d'une meule à tronçonner.** Les meules à tronçonner abrasives sont conçues pour un meulage périphérique ; des forces appliquées latéralement sur ces meules pourraient causer leur éclatement.
- e. **Utilisez toujours des brides de fixation de meules non endommagées qui ont la forme et le diamètre correct pour la meule que vous avez sélectionnée.** De telles brides de fixation des meules supportent les meules en réduisant le risque de cassure de la meule. Les brides pour les meules de tronçonnage peuvent être différentes des brides pour les meules abrasives.

Avertissements spécifiques à la sécurité des outils électroportatifs

- f. **N'utilisez pas de meules usées provenant de grands outils électriques.** Une meule conçue pour un grand outil électrique n'est pas appropriée pour la vitesse plus élevée d'un outil plus petit et pourrait éclater.
- g. **Lors de l'utilisation de meules à double usage, utilisez toujours le dispositif de protection approprié pour l'application effectuée.** Si vous n'utilisez pas le dispositif de protection approprié, vous risquez de ne pas obtenir le niveau de protection souhaité, ce qui pourrait entraîner des blessures graves.

4. Avertissements complémentaires spécifiques relatifs à la sécurité pour les travaux de tronçonnage :

- a. **Ne « coincez » pas la meule de déchetage et n'appliquez pas une pression excessive. Ne tentez pas de faire une coupe de profondeur excessive.** Une contrainte excessive sur la meule accroît la charge et le risque de torsion ou de coincement de la meule pendant la coupe et la possibilité d'effet de rebond ou de cassure de la meule.
- b. **Ne positionnez pas votre corps dans l'alignement de la meule en train de tourner.** Lorsque la meule, au point de fonctionnement, se déplace dans le sens opposé à celui de votre corps, l'effet de rebond possible pourrait projeter la meule en train de tourner et l'outil électrique directement vers vous.
- c. **Lorsque la meule se coince ou quand vous interrompez une coupe pour quelque raison que ce soit, mettez l'outil électrique hors tension et immobilisez l'outil jusqu'à ce que la meule s'arrête complètement de tourner. Ne tentez jamais de retirer la meule de tronçonnage de la coupe pendant que la meule est en mouvement, car cela pourrait créer un risque d'effet de rebond.** Inspectez la meule et prenez les mesures qui s'imposent pour éliminer la cause du blocage de la meule.
- d. **Ne recommencez pas l'opération de coupe dans l'ouvrage. Attendez que la meule atteigne sa vitesse maximum et rentrez à nouveau délicatement dans la coupe.** La meule risquerait de se coincer, de grimper ou de causer un effet de rebond si l'outil électrique était engagé alors à nouveau dans l'ouvrage.
- e. **Supportez tout panneau ou ouvrage de très grande taille pour minimiser les risques de pincement de la meule et d'effet de rebond.** Les ouvrages de grande taille ont tendance à s'affaisser sous leur propre poids. Les supports doivent être placés au dessous de l'ouvrage, près de la ligne de coupe et près du bord de l'ouvrage des deux côtés de la meule.

- f. **Faites particulièrement attention lorsque vous effectuez une « coupe de poche » dans des murs existants ou d'autres structures sans visibilité.** La meule qui dépasse peut couper des canalisations d'eau ou des conduites de gaz, des fils électriques ou d'autres objets qui peuvent produire un choc en retour.
- g. **Ne tentez pas d'effectuer des coupes de courbes.** Une contrainte excessive sur la meule accroît la charge et le risque de torsion ou de coincement de la meule pendant la coupe, ainsi que la possibilité d'effet de rebond ou de cassure de la meule, ce qui pourrait causer des blessures graves.
- h. **N'utilisez pas de meules abrasives de Type 1/41 qui sont conçues pour le meulage droit.**
- i. **N'essayez pas de couper de grandes pièces ou des feuilles de métal, car cette machine n'est pas conçue pour être utilisée comme une machine de tronçonnage.**

5. Avertissements spécifiques relatifs à la sécurité pour les opérations de ponçage :

- a. **Utilisez un papier abrasif de taille appropriée pour le disque de ponçage. Suivez les recommandations du fabricant lors du choix du papier abrasif.** Un papier abrasif plus grand dépassant trop du patin de ponçage présente un risque de lacération et peut provoquer un accrochage, une déchirure du disque ou un choc en retour.

6. Avertissements spécifiques relatifs à la sécurité pour les opérations de polissage :

- a. **Ne laissez pas une quelconque partie mal assujettie du capuchon de polissage ou de ses courroies de fixation tourner librement. Rangez les courroies de fixation mal assujetties à l'intérieur ou coupez-les.** Des courroies de fixation mal assujetties et en rotation pourraient se prendre dans vos doigts ou coincer l'ouvrage.

7. Avertissements spécifiques relatifs à la sécurité pour les opérations utilisant la brosse métallique :

- a. **Sachez que des poils métalliques sont projetés par la brosse même lors d'un fonctionnement ordinaire. Ne surchargez pas les poils en appliquant une charge excessive à la brosse.** Les poils métalliques peuvent facilement pénétrer dans les vêtements légers et/ou la peau.
- b. **Si l'utilisation d'un dispositif de protection est spécifiée pour le brossage avec un instrument métallique, ne laissez pas la roue métallique ou la brosse interférer avec le dispositif de protection.** Le diamètre de la meule ou de la brosse métallique peut augmenter en raison de la charge de travail et des forces centrifuges.

Avertissements supplémentaires concernant la sécurité

⚠ AVERTISSEMENT Utilisez un DISPOSITIF DE PROTECTION DE MEULE de Type A (Type 1A/41) pour le tronçonnage ou de Type C (combinaison) lorsque vous utilisez des meules à double usage (pouvoir abrasif combiné pour le meulage et le tronçonnage) montées sur flasque.

Pour le ponçage avec façonnage, utilisez le DISPOSITIF DE PROTECTION DE MEULE à pouvoir abrasif de Type B (Type 27). Lors de l'utilisation d'un DISPOSITIF DE PROTECTION DE MEULE de Type A (Type 1A/41) pour le ponçage avec façonnage, le DISPOSITIF DE PROTECTION DE MEULE peut interférer avec la pièce à travailler et entraîner une réduction de la capacité de contrôle ;

Utilisez un DISPOSITIF DE PROTECTION DE MEULE de Type A (Type 1A/41) pour le tronçonnage ou de Type C (combinaison) pour les opérations de tronçonnage. L'utilisation d'un DISPOSITIF DE PROTECTION DE MEULE de Type B (Type 27) à pouvoir abrasif pour des opérations de tronçonnage avec des meules abrasives agglomérées augmente le risque d'exposition aux étincelles et aux particules émises, ainsi qu'aux fragments de meule en cas d'éclatement de la meule ;

Utilisez un DISPOSITIF DE PROTECTION DE MEULE de Type E (meulage à surface diamantée) ou un DISPOSITIF DE PROTECTION DE MEULE de Type F (tronçonnage de maçonnerie) pour les opérations de tronçonnage et de façonnage dans le béton ou la maçonnerie. Lors de l'utilisation d'un DISPOSITIF DE PROTECTION DE MEULE pour le tronçonnage de Type A (Type 1A/41), le meulage de Type B (Type 27) ou

les opérations de tronçonnage et de ponçage avec façonnage dans le béton ou la maçonnerie de Type C (combinaison), il existe un risque accru d'exposition à la poussière et de perte de contrôle pouvant entraîner un rebond ;

Utilisez des brosses métalliques en forme de meule dont l'épaisseur et le diamètre ne sont pas supérieurs à ceux qui sont spécifiés dans le présent mode d'emploi. Lors de l'utilisation d'un DISPOSITIF DE PROTECTION DE MEULE pour le tronçonnage de type A (Type 1A/41), pour le meulage de Type B (Type 27) ou de Type C (combinaison) avec une brosse métallique en forme de meule d'une épaisseur supérieure à l'épaisseur maximale spécifiée, les fils peuvent s'accrocher au dispositif de protection, ce qui pourrait entraîner la rupture des fils.

N'utilisez pas d'outils conçus pour le courant alternatif uniquement avec une alimentation en courant continu. Même si l'outil semble fonctionner, les composants électriques de l'outil à courant alternatif sont susceptibles de tomber en panne et de présenter un danger pour l'opérateur.

Maintenez les poignées sèches et exemptes d'huile et de graisse. On ne pas maîtriser un outil électroportatif en toute sécurité quand on a les mains glissantes.

Utilisez des brides ou d'autres moyens pratiques de brider ou de supporter la pièce sur une plate-forme stable. Tenir la pièce à la main ou contre le corps est instable et risque de résulter en une perte de contrôle.

Créez un agenda d'entretien périodique pour votre outil. Quand vous nettoyez un outil, faites attention de n'en démonter aucune pièce car il est toujours possible de mal remonter ou de pincer les fils internes ou de remonter incorrectement les ressorts de rappel des capots de protection. Certains agents de nettoyage tels que l'essence, le tétrachlorure de carbone, l'ammoniaque, etc. risquent d'abîmer les plastiques.

N'utilisez pas d'aspirateur ou d'autre système de ramassage de la poussière lorsque vous coupez du métal. Des étincelles provenant de la coupe du métal pourraient causer l'inflammation des poussières ainsi ramassées.

⚠ AVERTISSEMENT Les travaux à la machine tel que ponçage, sciage, meulage, perçage et autres travaux du bâtiment peuvent créer des poussières contenant des produits chimiques qui sont des causes reconnues de cancer, de malformation congénitale ou d'autres problèmes reproductifs. Ces produits chimiques sont, par exemple :

- Le plomb provenant des peintures à base de plomb,
- Les cristaux de silices provenant des briques et du ciment et d'autres produits de maçonnerie, et
- L'arsenic et le chrome provenant des bois traités chimiquement.

Le niveau de risque dû à cette exposition varie avec la fréquence de ces types de travaux. Pour réduire l'exposition à ces produits chimiques, il faut travailler dans un lieu bien ventilé et porter un équipement de sécurité approprié tel que certains masques à poussière conçus spécialement pour filtrer les particules microscopiques.

⚠ AVERTISSEMENT Utilisez cette meuleuse uniquement de la manière prévue. Une utilisation inappropriée pourrait causer des blessures et des dommages matériels.

⚠ AVERTISSEMENT N'utilisez pas de meules abrasives de Type 11 (boisseau) avec cet outil. Cet outil n'est pas conçu pour emploi avec des meules abrasives de Type 11 (boisseau).

⚠ AVERTISSEMENT L'action de freinage de cette meuleuse n'est pas conçue pour servir de fonction de sécurité. L'utilisation du dispositif de protection approprié lorsque vous utilisez la meuleuse est votre meilleure protection contre un contact accidentel avec un accessoire en train de tourner. Un

Avertissements supplémentaires concernant la sécurité

contact accidentel avec un accessoire en train de tourner peut causer des dommages matériels et/ou des blessures.

⚠ AVERTISSEMENT Débranchez la fiche de la prise de courant avant de procéder à des réglages ou des changements d'accessoires, ou avant de ranger des outils électriques. De telles mesures de sécurité préventives réduisent le risque de démarrage accidentel de l'outil électrique.

⚠ AVERTISSEMENT Pour les meuleuses équipées de freins, n'utilisez que les brides de support qui sont spécifiquement fournies pour ces meuleuses. N'utilisez pas de brides de support standard sur les meuleuses équipées de freins. L'utilisation de brides de support standard peut entraîner le desserrage de la meule lors du freinage et provoquer des blessures ainsi que des dommages matériels.

⚠ AVERTISSEMENT Un dispositif de protection de Type 27 doit être utilisé avec toutes les meules abrasives, avec les disques à lamelles pour le ponçage des carrosseries, avec les brosses métalliques et avec les meules. L'outil ne peut être utilisé sans dispositif de protection que pour le ponçage avec des disques de ponçage conventionnels.

⚠ AVERTISSEMENT Un dispositif de protection de Type 1A/41A doit être utilisé pour toutes les opérations de coupe.

⚠ AVERTISSEMENT Utilisez toujours un dispositif de protection de meule de coupe de Type A (1A/41) pour la coupe.

⚠ AVERTISSEMENT N'utilisez pas de meules abrasives de Type 1 conçues pour le meulage droit ou la rectification des matrices. Cet outil n'a pas été conçu pour être utilisé avec des meules abrasives droites ou des meules à rectifier les matrices.

⚠ AVERTISSEMENT La vitesse nominale des accessoires doit être au moins égale à la vitesse de fonctionnement maximum indiquée sur l'outil électrique. Si des accessoires fonctionnent à une vitesse supérieure à leur vitesse nominale, ils risquent de se casser et d'être projetés dans l'air.

⚠ AVERTISSEMENT La plupart des travaux de ponçage s'effectuent sans le protecteur. Remettez toujours le protecteur en place sur l'outil avant de vous en servir pour le meulage.

⚠ AVERTISSEMENT N'utilisez pas l'écrou à fixation rapide avec un coussinet de soutien pour les accessoires de ponçage.

⚠ AVERTISSEMENT Utilisez toujours un protège-meule de Type B (27) avec des meules métalliques (brosses). Ne pas utiliser le protège-roue avec les roues à rayons peut provoquer des blessures.

⚠ AVERTISSEMENT Il n'est pas possible d'utiliser un protège-meule de Type B (27) pour toutes les opérations de l'outil. Ne jetez pas ce dispositif de protection si vous ne l'utilisez pas. Réinstallez toujours le protège-meule avant de réaliser de nouvelles opérations de meulage.

⚠ AVERTISSEMENT L'accessoire d'extraction de la poussière n'est pas un dispositif de protection. Ne l'utilisez pas avec des meules abrasives à surface agglomérée. L'accessoire d'extraction de la poussière ne protégera peut-être pas l'opérateur en cas d'éclatement de la meule.

⚠ AVERTISSEMENT Utilisez toujours un dispositif de protection de meule de coupe de Type A (1A/41) pour la coupe. La coupe avec un dispositif de protection de meule de Type B (27) peut ne pas offrir à l'opérateur une protection suffisante en cas d'éclatement de la meule.

⚠ AVERTISSEMENT Par ailleurs, ne tirez jamais l'outil vers l'arrière car la lame sortirait alors du matériau et un CHOC EN RETOUR se produirait.

⚠ AVERTISSEMENT N'utilisez pas de meuleuse d'angle pour polir les surfaces peintes ou les plastiques. L'utilisation de meuleuses d'angle pour de telles applications peut endommager les matériaux et les surfaces.

⚠ AVERTISSEMENT Pour éviter les accidents, débranchez toujours l'outil et/ou le chargeur de sa source d'alimentation secteur avant toute opération de maintenance ou de nettoyage.

⚠ AVERTISSEMENT IL N'Y A AUCUN COMPOSANT POUVANT ÊTRE RÉPARÉ PAR L'UTILISATEUR À L'INTÉRIEUR. Une maintenance effectuée par une personne non autorisée pourrait entraîner un placement incorrect de fils et de composants internes, ce qui pourrait être très dangereux. Nous recommandons que toutes les réparations de cet outil soient effectuées par un centre de service après-vente usine de Bosch ou par un poste de service agréé par Bosch.



Avertissements supplémentaires concernant la sécurité

⚠ AVERTISSEMENT Si un cordon de rallonge s'avère nécessaire, vous devez utiliser un cordon avec conducteurs de dimension adéquate pouvant porter le courant nécessaire à votre outil. Ceci préviendra une chute excessive de tension, une perte de courant ou une surchauffe. Les outils mis à la terre doivent utiliser des cordons de rallonge trifilaires pourvus de fiches à trois broches ainsi que des prises à trois broches.

⚠ AVERTISSEMENT N'utilisez pas d'accessoires autres que ceux qui sont spécifiés par Bosch. L'utilisation d'accessoires/d'accessoires non spécifiés pour une utilisation avec l'outil décrit dans ce mode d'emploi peut entraîner des dommages à l'outil, des dommages matériels ou des blessures.





Utilisation prévue

⚠ AVERTISSEMENT Utilisez cette meuleuse uniquement de la manière prévue. Une utilisation inappropriée pourrait causer des blessures et des dommages matériels.

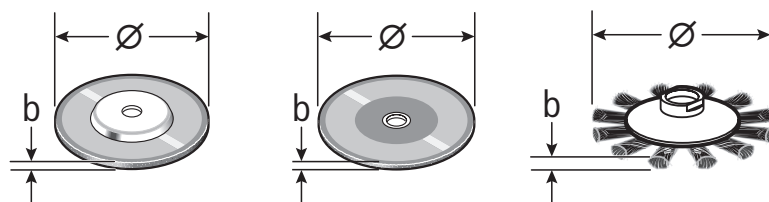
Les meuleuses à petit angle GWS14-50P, GWS14-50, GWS14-50B, et GWS14-60 sont conçues pour les applications professionnelles de meulage, de découpe, de ponçage, de broissage métallique et de polissage qui sont décrites dans ce mode d'emploi.



Spécifications

Número de modèle	GWS14-50P	GWS14-50	GWS14-50B	GWS14-60
Ampères	13	13	13	13
Volts CA	120	120	120	120
Vitesse nominale (tr/min)	2800-11500	2800-11500	2800-11500	2400-9700
Type de interrupteur	palette	coulissant	coulissant	coulissant
Ø max. de la meule	5" (125mm)	5" (125mm)	5" (125mm)	6" (150mm)
Ø max. du disque de coupe	5" (125mm)	5" (125mm)	5" (125mm)	6" (150mm)
Ø max. du disque de ponçage	5" (125mm)	5" (125mm)	5" (125mm)	6" (150mm)
Ø max. du disque à volets abrasifs	5" (125mm)	5" (125mm)	5" (125mm)	6" (150mm)
Ø max. de la brosse métallique circulaire	4" (102mm)	4" (102mm)	4" (102mm)	4" (102mm)
Ø max. de la brosse en coupe métallique	3" (76mm)	3" (76mm)	3" (76mm)	3" (76mm)
Épaisseur de la meule (b)	1/4" (6 mm)	1/4" (6 mm)	1/4" (6 mm)	1/4" (6 mm)
Épaisseur de la meules de coupe de Type 1/41 (b)	.045" (1.2 mm)	.045" (1.2 mm)	.045" (1.2 mm)	.045" (1.2 mm)
Épaisseur de la meule de tronçonnage de Type 27/42 (b)	1/8" (3.0 mm)	1/8" (3.0 mm)	1/8" (3.0 mm)	1/8" (3.0 mm)
Largeur maximale de la face de la meule métallique (épaisseur) (b)	1/2" (12.7 mm)	1/2" (12.7 mm)	1/2" (12.7 mm)	1/2" (12.7 mm)
Écart périphérique max. de la meule de coupe diamantée segmentée de Type 1/41	10 mm	10 mm	10 mm	10 mm
Angle d'inclinaison de la meule de coupe diamantée segmentée de Type 1/41	 NÉGATIF	 NÉGATIF	 NÉGATIF	 NÉGATIF
Vitesse variable	•	•	•	•
Embrayage électronique	•	•	•	•
Circuit à réponse constante	•	•	•	•
Protection contre le redémarrage	•	•	•	•
Protection contre les surcharges	•	•	•	•
Démarrage en douceur	•	•	•	•
Frein	—	—	•	—

• = L'outil est doté de cette fonction. – = L'outil n'est pas doté de cette fonction.



Ø = Diamètre de la meule. b = Épaisseur de la meule.

Applications

Description	Numéro de modèle			
	GWS14-50P	GWS14-50	GWS14-50B	GWS14-60
Meulage de métaux (Type 27)	X	X	X	X
Meulage de métaux (Type 11)	N	N	N	N
Coupe de métaux (Type 1A/41)	X	X	X	X
Surfaçage des sols en béton	O	O	O	O
Coupe de béton/maçonnerie	O	O	O	O
Ponçage	O	O	O	O
Passage à la brosse métallique (meule)	O	O	O	O
Passage à la brosse métallique (boisseau)	O	O	O	O

X = L'outil est muni d'accessoires permettant d'exécuter cette application.

O = L'outil peut utiliser des accessoires en option permettant d'exécuter cette application.






N = L'outil n'est pas capable d'exécuter cette application.

La vitesse nominale de l'accessoire doit être égale ou supérieure à celle de l'outil. Il ne faut pas dépasser le diamètre de meule recommandé.

⚠ AVERTISSEMENT N'utilisez pas de meules abrasives de Type 11 (boisseau) avec cet outil. Cet outil n'est pas conçu pour emploi avec des meules abrasives de Type 11 (boisseau).











Symboles

IMPORTANT : Certains des symboles suivants peuvent être utilisés sur votre outil. Veuillez les étudier et apprendre leur signification. Une interprétation appropriée de ces symboles vous permettra d'utiliser l'outil de façon plus efficace et plus sûre.

Symbole	Désignation / Explication
V	Volts (voltage)
lb	lb (poids)
kg	Kilogrammes (poids)
ft	Pieds (dimension)
m	Mètres (distance)
in	po (dimension)
cm	Centimètres (dimension)
mm	Millimètres (dimension)
A	Ampères (courant)
Hz	Hertz (fréquence, cycles par seconde)
W	Watt (puissance)
kg	Kilogrammes (poids)
min	Minutes (temps)
s	Seconds (temps)
∅	Diamètre (taille des mèches de perceuse, meules, etc.)
n_0	Vitesse à vide (vitesse de rotation, à vide)
n	Vitesse nominale (vitesse maximum pouvant être atteinte)
.../min	Tours ou mouvement alternatif par minute (tours, coups, vitesse en surface, orbites, etc., par minute)
0	Position d'arrêt (vitesse zéro, couple zéro ...)
1, 2, 3, ... I, II, III,	Réglages du sélecteur (Réglages de vitesse, de couple ou de position. Un nombre plus élevé signifie une vitesse plus grande)
	Sélecteur variable à l'infini avec arrêt (La vitesse augmente depuis le réglage 0)
	Flèche (action dans la direction de la flèche)
~	Courant alternatif (type ou caractéristique du courant)
==	Courant continu (type ou caractéristique du courant)
	Courant alternatif ou continu (type ou caractéristique du courant)
	Construction classe II (désigne des outils construits avec double isolation)
	Borne de terre (borne de mise à la terre)

Symboles

IMPORTANT : Certains des symboles suivants peuvent être utilisés sur votre outil. Veuillez les étudier et apprendre leur signification. Une interprétation appropriée de ces symboles vous permettra d'utiliser l'outil de façon plus efficace et plus sûre.

Symbole	Désignation / Explication
	Alerte l'utilisateur pour lire le mode d'emploi.
	Alerte l'utilisateur pour porter des lunettes de sécurité.
	Alerte l'utilisateur pour porter une protection respiratoire.
	Alerte l'utilisateur pour porter des protecteurs d'oreilles.
	Fait savoir à l'utilisateur qu'il doit porter des protections oculaires, respiratoires et auditives.
	Indique le contrôle d'un effet de rebond dans l'outil.
	Indique le contrôle d'une chute dans l'outil.
	Indique le système de freinage dans l'outil.
	Ce symbole signifie que cet outil est approuvé par Underwriters Laboratories selon les normes des États-Unis et du Canada.
	Ce symbole signifie que cet outil est approuvé par l'Association canadienne de normalisation selon les normes des États-Unis et du Canada.

Descriptions fonctionnelles

Embrayage électronique :

L'électronique de l'outil électroportatif détecte les situations dans lesquelles la meule ou l'accessoire peut risquer de se coincer. Elle empêche la poursuite de la rotation de l'arbre d'entraînement en mettant l'outil hors tension (mais elle ne peut pas empêcher les effets de rebond). Pour recommencer à travailler, mettez l'interrupteur de marche/arrêt (on/off) dans la position de marche (on) et remettez l'outil en marche.

Circuit « Constant Response » :

Ce circuit contribue à maintenir une vitesse presque constante entre les conditions de fonctionnement en charge et de fonctionnement à vide.

Démarrage progressif :

Cette caractéristique permet de réduire la fatigue du moteur qui est normalement causée par un démarrage à couple élevé. Elle contribue à mettre graduellement l'accessoire à la vitesse requise.

Protection contre les redémarrages automatiques :

Cette caractéristique contribue à empêcher les remises en marche automatiques après une mise hors tension accidentelle, p. ex. si l'outil a été débranché avec l'interrupteur verrouillé en position de marche. Pour recommencer à travailler, mettez l'interrupteur de marche/arrêt (on/off) dans la position d'arrêt (off) et remettez l'outil en marche.

Protection contre les surcharges :

Cette caractéristique contribue à protéger l'outil contre la chaleur excessive qui pourrait endommager le moteur. Si l'outil s'arrête ou ralentit en cours de fonctionnement, patientez pendant 30 secondes jusqu'à ce que le moteur refroidisse en le laissant fonctionner à vide. Si la fonction de protection contre les surcharges arrête l'outil de façon répétée, cela signifie qu'une force excessive cause la surcharge de l'outil. Mettez fin à l'application de cette force excessive et réajustez l'ouvrage pour réduire la force appliquée.

Contrôle des chutes :

L'outil électrique est équipé de capteurs qui détectent l'impact sur la meuleuse. L'outil s'éteindra s'il tombe sur la plupart des surfaces dures d'une hauteur supérieure à un pied, ou s'il est frappé avec une force approximativement équivalente à une chute de plus d'un pied. Après tout impact ou activation de la fonction d'arrêt, inspectez toujours la meuleuse et la batterie pour détecter tout signe de dommage et n'utilisez pas l'outil ou la batterie si vous soupçonnez un dommage.

Opération de freinage

⚠ AVERTISSEMENT L'action de freinage de cette meuleuse

n'est pas conçue pour servir de fonction de sécurité. L'utilisation du dispositif de protection approprié lorsque vous utilisez la meuleuse est votre meilleure protection contre un contact accidentel avec un accessoire en train de tourner. Un contact accidentel avec un accessoire en train de tourner peut causer des dommages matériels et/ou des blessures.

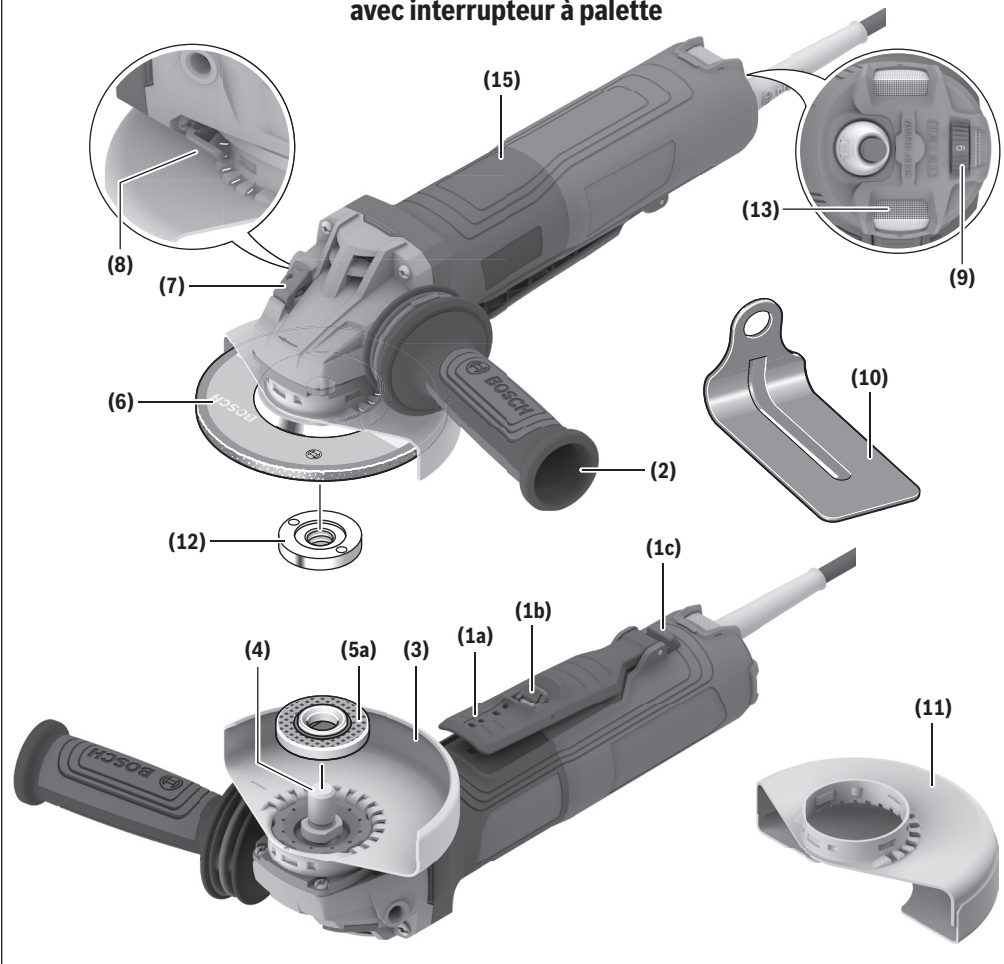
Votre meuleuse est pourvue d'un frein électrique automatique qui est conçu pour empêcher rapidement l'accessoire de tourner après avoir relâché la gâchette.

Le freinage commence dès que l'alimentation électrique est désactivée. Le temps d'arrêt du fonctionnement varie en fonction de facteurs tels que le type et la taille de l'accessoire utilisé et la fréquence de l'actionnement de l'interrupteur. Des facteurs tels que la contamination ou la défaillance des composants du moteur peuvent empêcher le frein de s'activer. Si l'outil fonctionne mais si le frein ne s'engage pas pour aider à arrêter l'accessoire, CESSEZ d'utiliser la meuleuse, et faites-la réparer par un centre de service usine Bosch ou par un centre de réparation Bosch agréé.

Familiarisez-vous avec votre produit

Fig. 1

Meuleuse d'angle filaire GWS14-50P avec interrupteur à palette

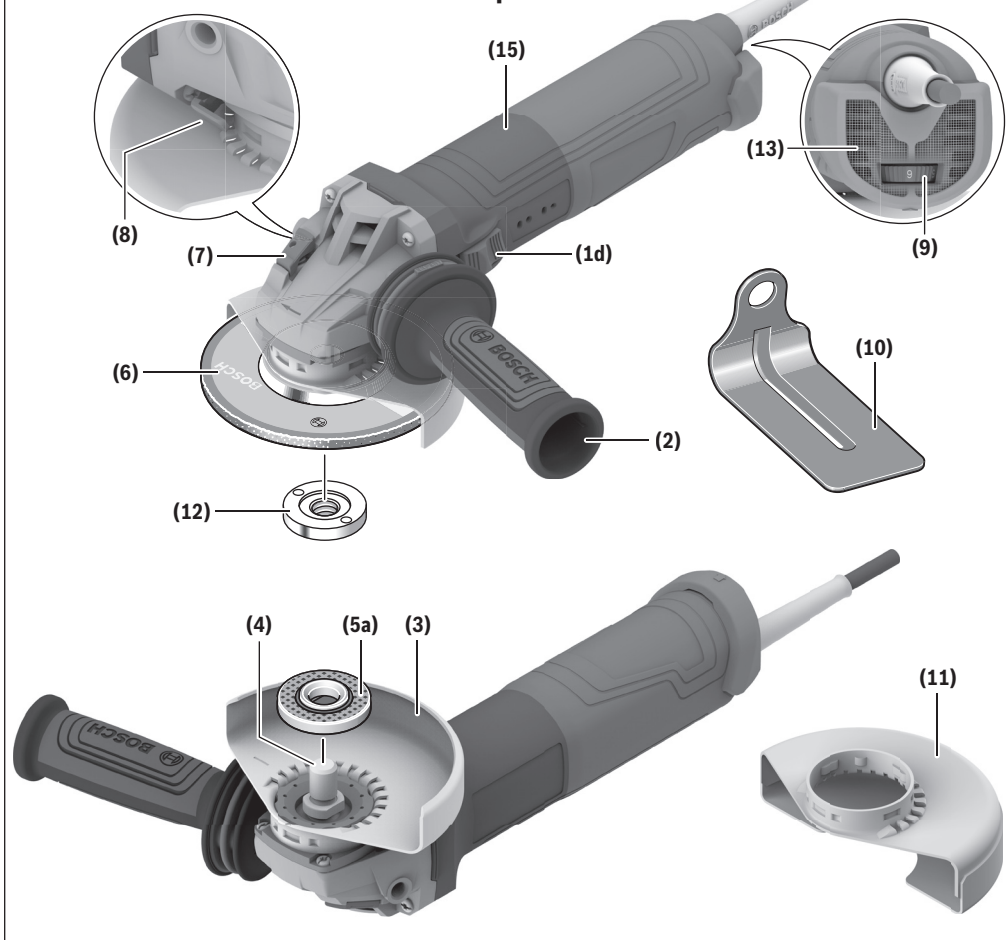


- | | |
|--|--|
| 1a Interrupteur à palette | 7 Verrouillage de la broche |
| 1b Levier de relâchement de l'interrupteur de verrouillage en position d'arrêt | 8 Levier de relâchement/réglage du dispositif de protection |
| 1c Bouton de verrouillage en position activée | 9 Cadran de réglage de la vitesse (derrière l'article 13) |
| 2 Poignée latérale de contrôle des vibrations (surface de préhension isolée) | 10 Protège-main (vendu séparément) |
| 3 Dispositif de protection de la meuleuse de Type B (27) | 11 Dispositif de protection de la meule de coupe de Type A (1A/41) |
| 4 Broche | 12 Écrou de verrouillage |
| 5a Bride de support (GWS14-50P, GWS14-50, GWS14-60) | 13 Filtre à mailles métalliques |
| 6 Meuleuse abrasive | 15 Surface de préhension isolée |

Familiarisez-vous avec votre produit

Fig. 2

Meuleuse d'angle filaire GWS14-50, GWS14-60 avec interrupteur coulissant

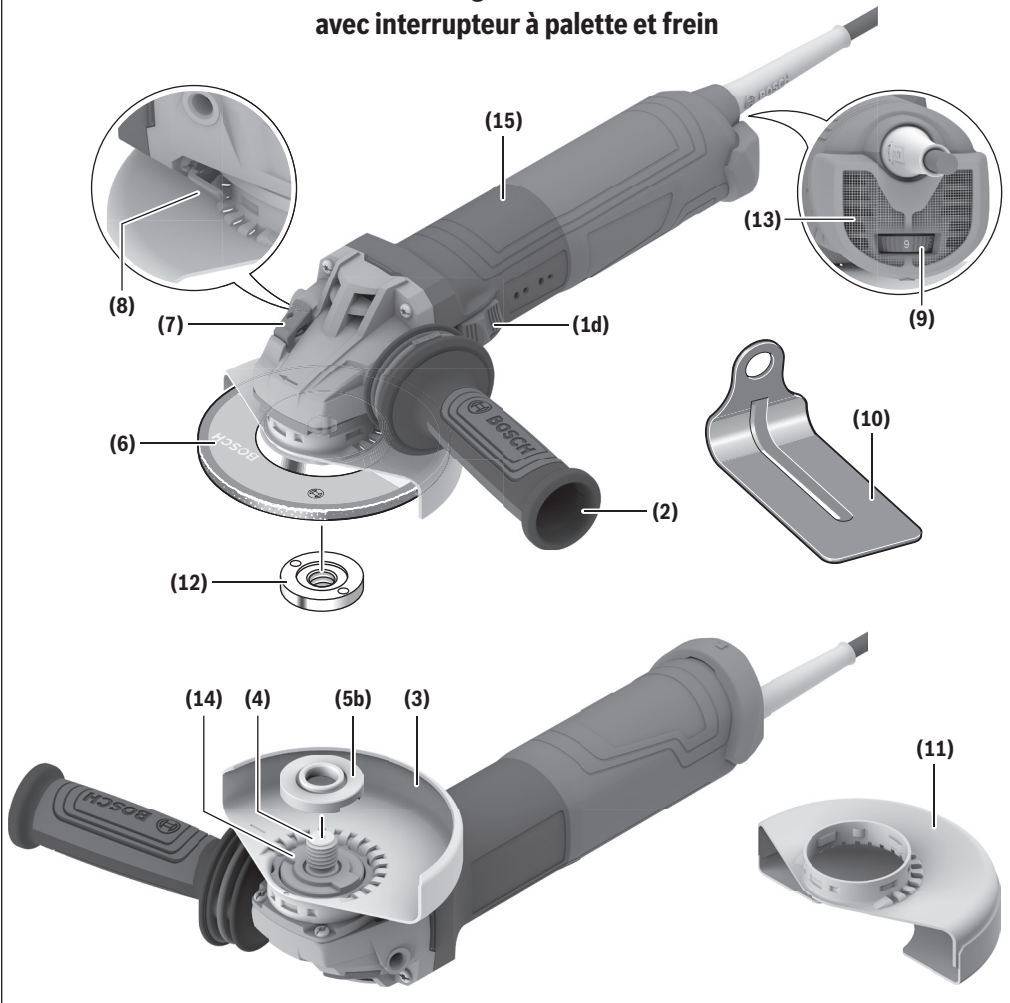


- | | |
|--|---|
| <p>1d Interrupteur coulissant</p> <p>2 Poignée latérale de contrôle des vibrations (surface de préhension isolée)</p> <p>3 Dispositif de protection de la meuleuse de Type B (27)</p> <p>4 Broche</p> <p>5a Bride de support (GWS14-50P, GWS14-50, GWS14-60)</p> <p>6 Meuleuse abrasive</p> <p>7 Verrouillage de la broche</p> | <p>8 Levier de relâchement/réglage du dispositif de protection</p> <p>9 Cadran de réglage de la vitesse (derrière l'article 13)</p> <p>10 Protège-main (vendu séparément)</p> <p>11 Dispositif de protection de la meule de coupe de Type A (1A/41)</p> <p>12 Écrou de verrouillage</p> <p>13 Filtre à mailles métalliques</p> <p>15 Surface de préhension isolée</p> |
|--|---|

Familiarisez-vous avec votre produit

Fig. 3

Meuleuse d'angle filaire GWS14-50B avec interrupteur à palette et frein



- | | |
|---|---|
| <p>1d Interrupteur coulissant</p> <p>2 Poignée latérale de contrôle des vibrations (surface de préhension isolée)</p> <p>3 Dispositif de protection de la meuleuse de Type B (27)</p> <p>4 Broche</p> <p>5b Bride de support (GWS14-50B)</p> <p>6 Meuleuse abrasive</p> <p>7 Verrouillage de la broche</p> | <p>8 Levier de relâchement/réglage du dispositif de protection</p> <p>9 Cadran de réglage de la vitesse (derrière l'article 13)</p> <p>10 Protège-main (vendu séparément)</p> <p>11 Dispositif de protection de la meule de coupe de Type A (1A/41)</p> <p>12 Écrou de verrouillage</p> <p>13 Filtre à mailles métalliques</p> <p>14 Embase de la bride de support</p> <p>15 Insulated Gripping Surface</p> |
|---|---|

Assemblage

⚠ AVERTISSEMENT Débranchez la fiche de la prise de courant avant de procéder à des réglages ou des changements d'accessoires, ou avant de ranger des outils électriques. De telles mesures de sécurité préventives réduisent le risque de démarrage accidentel de l'outil électrique.

Poignée latérale antivibrations

(Fig. 1, Fig. 2, Fig. 3)

La poignée latérale antivibrations **2** sert à contrôler et à équilibrer l'outil.

Enfilez solidement la poignée latérale de contrôle des vibrations **2** dans un côté quelconque du carter d'engrenages, en fonction de vos préférences personnelles, du confort et de l'opération effectuée.

La poignée latérale de contrôle des vibrations **2** doit toujours être installée sur le côté protégé de l'outil ; voir Figure 6. Utilisez la poignée de contrôle des vibrations **2** pour assurer un contrôle sécurisé et un fonctionnement facile.

Protège-main (accessoire en option)

(Fig. 1, Fig. 2, Fig. 3)

Le protège-main **10** doit être utilisé avec les disques d'appui, les disques de ponçage et les brosses métalliques pour garder les doigts et les mains à distance de la surface de la pièce, des bords tranchants, des barbes et des débris.

Quand vous utilisez l'accessoire protège-main **10** disponible en option, insérez la poignée latérale antivibrations **2** dans l'orifice présent sur le protège-main **10**, puis vissez-la dans le boîtier. Assurez-vous que le protège-main **10** est positionné entre la main et le disque d'appui, le disque de ponçage ou la brosse métallique.

Écrou de blocage et bride d'appui

(Fig. 1, Fig. 2)

Votre outil est équipé d'une broche fileté **4** pour le montage d'accessoires non filetés sur le moyeu. Utilisez toujours la bride de support **5a** fournie avec un contre-écrou **12**. La bride de support **5a** est clavetée sur la broche **4**. Veillez toujours à ce que le diamètre de l'arbre corresponde à celui de l'accessoire. Les accessoires qui fonctionnent de manière excentrique risquent d'éclater.

Écrou de blocage et bride d'appui (GWS14-50B)

⚠ AVERTISSEMENT Pour les meuleuses équipées de freins, n'utilisez que les brides de support qui sont spécifiquement fournies pour ces meuleuses. N'utilisez pas de brides de support standard sur les meuleuses équipées de freins. L'utilisation de brides de support standard peut entraîner le desserrage de la meule lors du freinage et provoquer des blessures ainsi que des dommages matériels.

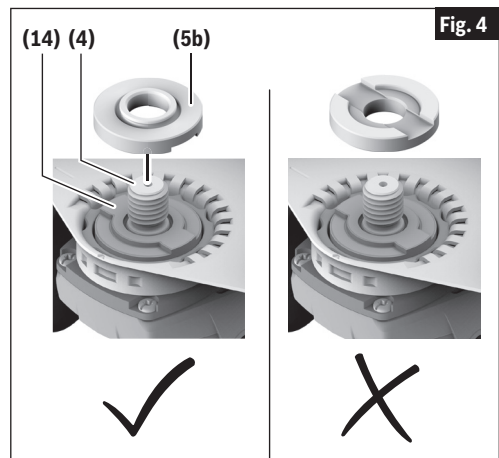
(Fig. 3, Fig. 4)

Les modèles de meuleuses dotées d'une broche fileté **4** et équipées d'un frein utilisent une bride de support **5b** spécialement conçue et une embase de bride de support **14** non amovible, ainsi qu'un contre-écrou pour monter la roue.

Avant de monter l'accessoire sur la meuleuse, placez la bride de support fendue **5b** sur l'embase de la bride de support **14**, en veillant à ce que la saillie rectangulaire surélevée de l'embase de la bride de support **14** soit engagée dans la fente située au bas de la bride de support **5b**.

L'accessoire non fileté doit être placé sur la broche **4** et reposer entièrement sur la partie supérieure de la bride de support **5b**.

Les meuleuses avec et sans frein ayant une broche fileté **4** utilisent le même contre-écrou **12** pour sécuriser l'accessoire.



Assemblage

Installation des dispositifs de protection de la meule (dispositifs de protection de meules de Type 27 et de Type 1A/41)

(Fig. 5, Fig. 6)

⚠ AVERTISSEMENT Un dispositif de protection de Type 27 doit être utilisé avec toutes les meules abrasives, avec les disques à lamelles pour le ponçage des carrosseries, avec les brosses métalliques et avec les meules. L'outil ne peut être utilisé sans dispositif de protection que pour le ponçage avec des disques de ponçage conventionnels.

⚠ AVERTISSEMENT Un dispositif de protection de Type 1A/41A doit être utilisé pour toutes les opérations de coupe.

Fixation du protecteur de meule

1. Débranchez l'outil de sa source d'alimentation électrique.
2. Appuyez sur le levier de relâchement/réglage du dispositif de protection **8** (Fig. 5) et placez le dispositif de protection sur la bride de fixation du dispositif de protection jusqu'à ce que les clés du dispositif de protection soient alignées sur les encoches du collier de la broche (Fig. 5A).
3. Continuez à appuyer sur le dispositif de protection contre la bride de fixation du dispositif de protection jusqu'à ce que l'épaulement du dispositif de protection repose contre la bride de fixation de l'outil, et faites tourner le dispositif de protection de la meule dans le sens des aiguilles d'une montre jusqu'à ce que vous entendiez un déclic.
4. Ajustez la position du dispositif de protection en fonction des besoins de votre activité. Appuyez sur le levier de relâchement/réglage du dispositif de protection **8**, et faites tourner le dispositif de protection jusqu'à ce que vous entendiez un déclic indiquant qu'il est bien en place, puis ajustez suivant les besoins.
 - Positionnez toujours le dispositif de protection de la meule entre l'opérateur et l'ouvrage, et dirigez les étincelles dans le sens opposé à celui de l'opérateur (Fig. 6).
 - Assurez-vous que le dispositif de protection de la meule est complètement engagé dans le levier de relâchement/réglage du dispositif de protection **8**. Le dispositif de protection de la meule ne doit tourner que lorsque le levier de relâchement/réglage du dispositif de protection **8** est enfoncé. Si le dispositif de protection de la meule tourne sans que vous appuyiez sur le levier de relâchement/réglage du dispositif de protection **8**, arrêtez d'utiliser la meuleuse et faites-la réparer par un centre de service agréé Bosch.

Fig. 5

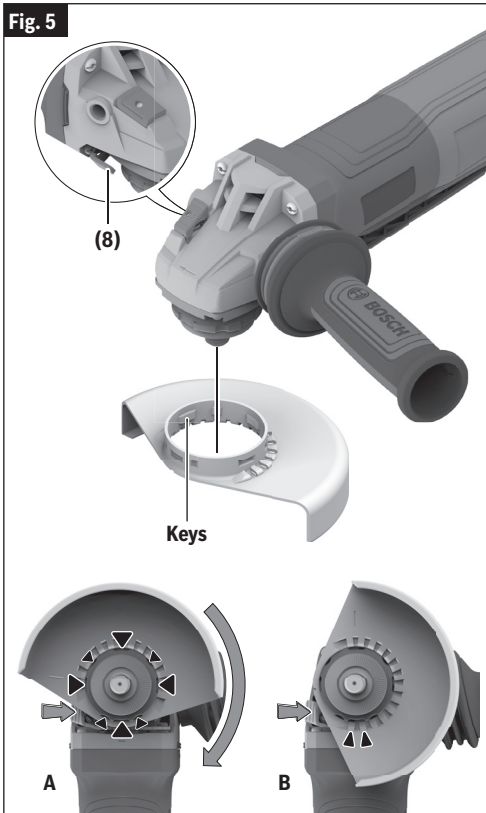
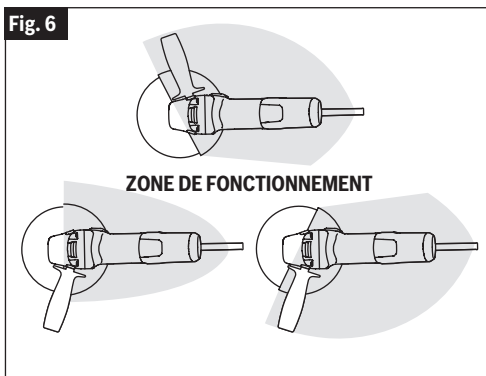


Fig. 6



Remarque : Les clés d'encodage sur le protecteur assurent que seulement un protecteur compatible avec l'outil pourra être installé.

Assemblage

Retrait du protecteur

1. Appuyez sur le levier de relâchement/réglage du dispositif de protection **8**.
2. Faites tourner le protecteur jusqu'à ce que les clés sur le protecteur soient alignées sur les encoches sur la bride de fixation pour le montage du protecteur.
3. Soulevez le protecteur pour le détacher de la bride de fixation.

Ensemble de meule

(Fig. 7, Fig. 8)

⚠ AVERTISSEMENT N'utilisez pas d'accessoires à fonctionnement excentrique. L'outil vibrera de manière excessive et pourra provoquer une perte de contrôle, et l'accessoire risquera alors d'éclater.

Fixation de la meule abrasive

1. Débranchez l'outil de sa source d'alimentation électrique.
2. Assurez-vous que le dispositif de protection **3** de la meuleuse abrasive de Type B (27) est en place pour le meulage.
3. Pour **GWS14-50P, GWS14-50, GWS14-60**

Placez la bride de support **5a** et la meuleuse abrasive **6** de Type 27 sur la broche **4**. Assurez-vous que la bride de support **5a** s'enclenche dans la base de la broche **4**.

Pour **GWS14-50B**

Placez la bride de support **5b** et la meuleuse abrasive **6** de Type 27 sur la broche **4**. Assurez-vous que la bride de support **5b** s'enclenche dans la base de la broche **4**.

4. Enfilez le contre-écrou **12** et serrez-le à l'aide de la clé pour contre-écrous **12** tout en tenant le dispositif de verrouillage de la broche **7**.

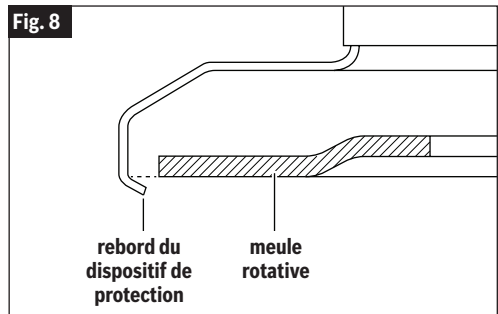
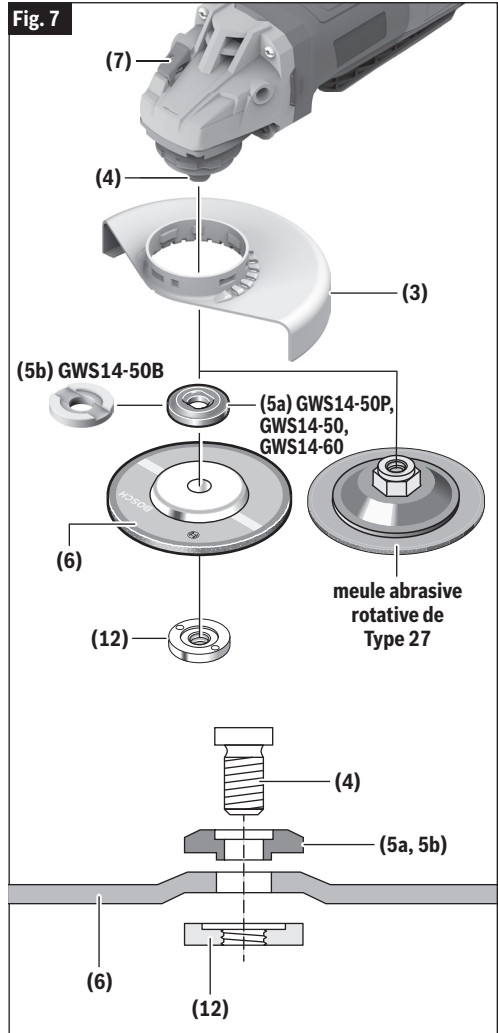
RETRAIT : inversez la procédure.

En cas d'utilisation de meules rotatives

Suivez les étapes 1 & 2, puis enfiler la meule directement sur l'arbre **4** sans utiliser les brides fournies. Assurez-vous toujours que la meule rotative est serrée correctement au moyen d'une clé à fourche (non fournie).

RETRAIT : inversez la procédure.

Toutes les parties d'une meule rotative doivent être couvertes par le rebord du dispositif de protection de la meule **3** (Fig. 8). Si la meule rotative dépasse du rebord du dispositif de protection **3**, n'utilisez pas cette meule car cela signifie qu'elle est trop grande pour cet agencement.



Assemblage

Ensemble de meule de Type 1A/41 et 27A/42

(Fig. 9)

⚠ AVERTISSEMENT Utilisez toujours un dispositif de protection de meule de coupe de Type A (1A/41) pour la coupe.

En utilisant le dispositif de protection de meule de coupe de Type A (1A/41) **11**, il est possible d'effectuer des coupes limitées sur de petites pièces telles que des tubes en métal, des tuyaux ou des barres d'armature.

1. Débranchez l'outil de sa source d'alimentation électrique.
2. Assurez-vous que le dispositif de protection **11** de la meule de coupe de Type A (1A/41) est en place pour la coupe.

3. Pour **GWS14-50P, GWS14-50, GWS14-60**

Placez la bride de support **5a** et la meule de coupe de Type 1A/41 ou de Type 27A/42 sur la broche **4**. Assurez-vous que la bride de support **5a** s'enclenche dans la base de la broche **4**.

Pour **GWS14-50B**

Placez la bride de support **5b** et la meule de coupe de Type 1A/41 ou de Type 27A/42 sur la broche **4**. Assurez-vous que la bride de support **5b** s'enclenche dans la base de la broche **4**.

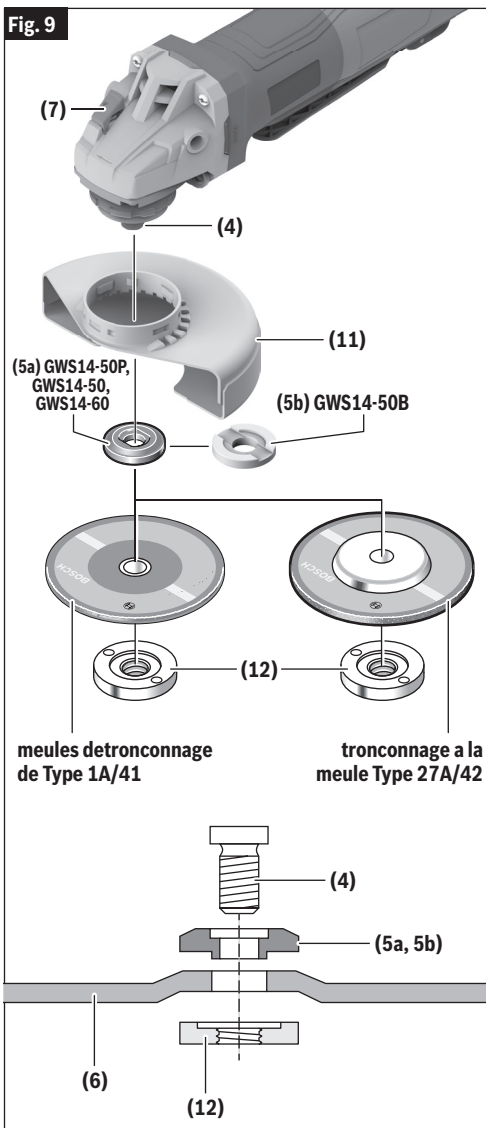
4. Enfilez le contre-écrou **12** et serrez-le à l'aide de la clé pour contre-écrous **12** tout en tenant le dispositif de verrouillage de la broche **7**.

RETRAIT : inversez la procédure.

Meules abrasives droites de Type 1

⚠ AVERTISSEMENT N'utilisez pas de meules abrasives de Type 1 conçues pour le meulage droit ou la rectification des matrices. Cet outil n'a pas été conçu pour être utilisé avec des meules abrasives droites ou des meules à rectifier les matrices.

Fig. 9



Assemblage

Ensemble de ponçage

⚠ AVERTISSEMENT La vitesse nominale des accessoires doit être au moins égale à la vitesse de fonctionnement maximum indiquée sur l'outil électrique. Si des accessoires fonctionnent à une vitesse supérieure à leur vitesse nominale, ils risquent de se casser et d'être projetés dans l'air.

⚠ AVERTISSEMENT La plupart des travaux de ponçage s'effectuent sans le protecteur. Remettez toujours le protecteur en place sur l'outil avant de vous en servir pour le meulage.

⚠ AVERTISSEMENT N'utilisez pas l'écrou à fixation rapide avec un coussinet de soutien pour les accessoires de ponçage.

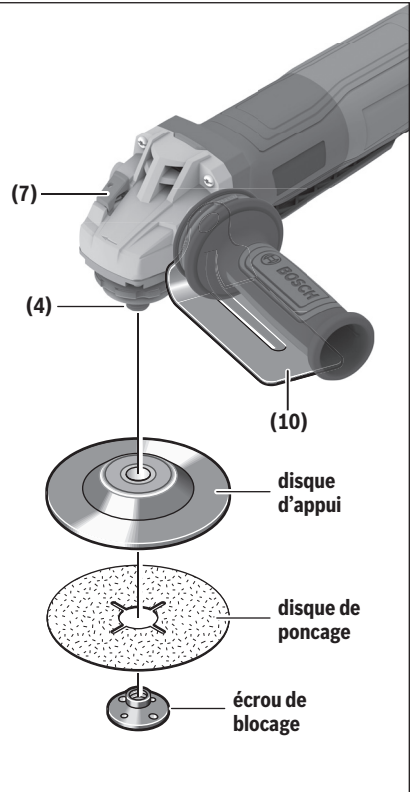
Pose des disques d'appui et de ponçage

(Fig. 10)

1. Débranchez l'outil de sa source d'alimentation électrique.
2. Fixez le protège-main **10** (vendu séparément).
3. Tournez-le sur le dos (arbre **4** orienté vers le haut).
4. Placez le disque d'appui en caoutchouc sur l'arbre **4**.
5. Centrez le disque de ponçage sur le disque d'appui.
6. Introduisez l'écrou de blocage dans le disque et vissez-le à fond sur l'arbre **4** avec les doigts.
7. Enfoncez le blocage d'arbre **7**, puis serrez le disque d'appui solidement à l'aide de la clé à écrous de blocage.

POUR DÉPOSER : Inversez la procédure.

Fig. 10



Assemblage

Ensemble de brosse métallique

Installation de la brosse à coupelle métallique

(Fig. 11)

1. Débranchez l'outil de sa source d'alimentation électrique.
2. Fixez le protège-main **10** (vendu séparément).
3. Les brosses à coupelles métalliques sont équipées de leur propre moyeu fileté. Il suffit d'enfiler la brosse à coupelle métallique sur la broche **4**. Veillez à placer la brosse contre l'épaulement avant de mettre l'outil en marche.

POUR DÉPOSER : Inversez la procédure.

Ensemble de brosse métallique à touret

⚠ AVERTISSEMENT Utilisez toujours un **protège-meule de Type B (27) avec des meules métalliques (brosses)**. Ne pas utiliser le protège-roue avec les roues à rayons peut provoquer des blessures.

Installation de la meule métallique

(Fig. 12)

1. Débranchez l'outil de sa source d'alimentation électrique.
2. Installez le dispositif de protection de la meule abrasive de Type B (27) **3**.
3. Les meules métalliques sont équipées de leur propre moyeu fileté. Il suffit d'enfiler la meule métallique sur la broche **4**. Veillez à placer la meule métallique contre l'épaulement avant de mettre l'outil en marche.

POUR DÉPOSER : Inversez la procédure.

Fig. 11

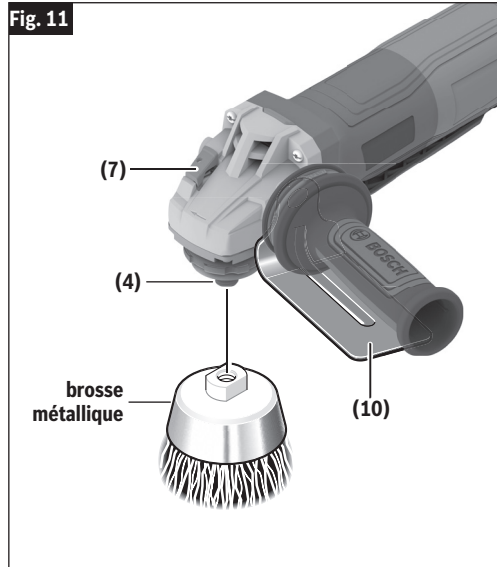
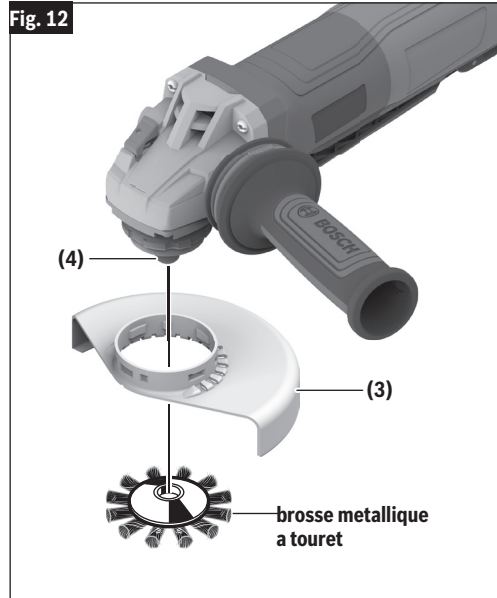


Fig. 12



Assemblage

Attachement d'extraction des poussières de béton pour le meulage de surfaces de Type E (dispositif de protection de meule abrasive à surface diamantée)

⚠ AVERTISSEMENT Il n'est pas possible d'utiliser un protège-meule de Type B (27) pour toutes les opérations de l'outil. Ne jetez pas ce dispositif de protection si vous ne l'utilisez pas. Réinstallez toujours le protège-meule avant de réaliser de nouvelles opérations de meulage.

⚠ AVERTISSEMENT L'accessoire d'extraction de la poussière n'est pas un dispositif de protection. Ne l'utilisez pas avec des meules abrasives à surface agglomérée. L'accessoire d'extraction de la poussière ne protégera peut-être pas l'opérateur en cas d'éclatement de la meule.

Installation de l'accessoire d'extraction de la poussière

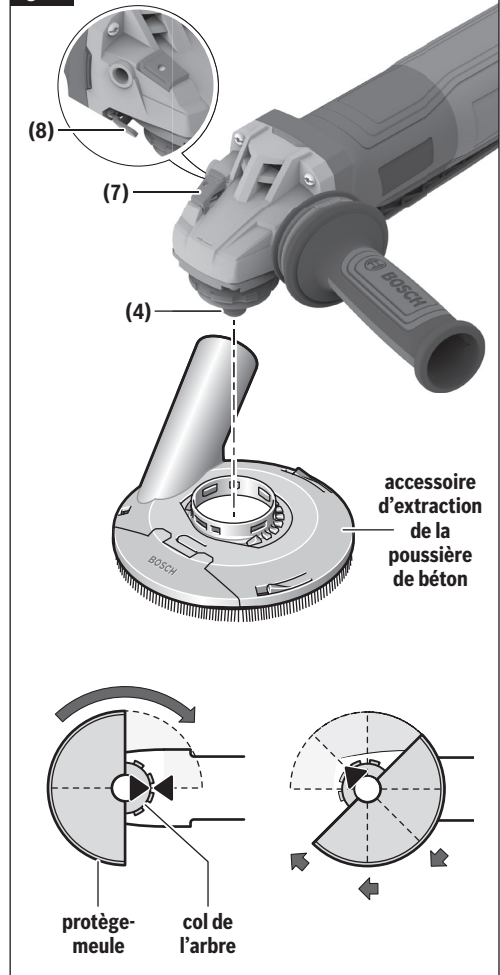
(Fig. 1, Fig. 2, Fig. 3, Fig. 13)

1. Débranchez l'outil de sa source d'alimentation électrique.
2. Positionnez l'attachement d'extraction des poussières de béton sur la bride de fixation du dispositif de protection, l'orifice d'aspiration des poussières étant orienté dans le sens opposé à celui du corps de l'outil.
3. Faites tourner l'attachement d'extraction des poussières de béton de 90° dans le sens des aiguilles d'une montre jusqu'à ce qu'il s'enclenche.
4. Réglez l'attachement d'extraction des poussières de béton en appuyant sur le levier de relâchement/réglage du dispositif de protection 8, et faites tourner l'attachement d'extraction des poussières de béton pour le mettre dans la position souhaitée.
5. Laissez le levier de relâchement/réglage du dispositif de protection 8 s'enclencher en place.
6. Placez la bride de support 5 sur la broche 4.
7. Placez la meule à coupelle à surface diamantée sur la broche 4, et alignez-la sur la bride de support 5.
8. Enfilez le contre-écrou 12 et serrez-le à l'aide de la clé pour contre-écrous 12 tout en tenant le dispositif de verrouillage de la broche 7.

En cas d'utilisation de meules rotatives, suivez les étapes 1 à 5, puis enfitez la meule directement sur l'arbre 4 sans utiliser les brides fournies.

POUR DÉPOSER : Inversez la procédure.

Fig. 13



Assemblage

Montage du dispositif de protection pour un outil de coupe de maçonnerie

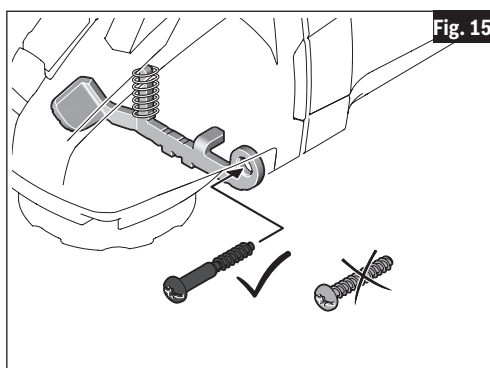
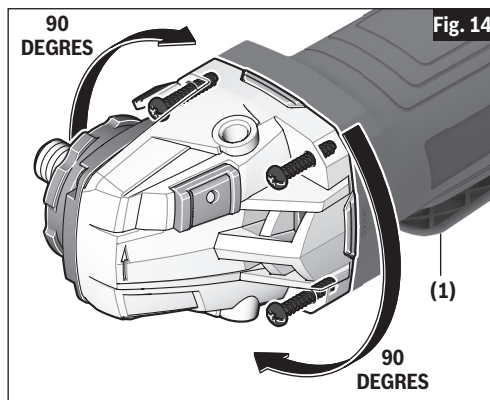
⚠ AVERTISSEMENT Il n'est pas possible d'utiliser un protège-meule de Type B (27) pour toutes les opérations de l'outil. Ne jetez pas ce dispositif de protection, même si vous ne l'utilisez pas. Réinstallez toujours le protège-meule avant de réaliser de nouvelles opérations de meulage.

Pour améliorer l'ergonomie de votre meuleuse lorsque vous coupez de la maçonnerie, il convient de faire tourner la boîte de vitesses par rapport à la position de l'interrupteur étant donné que l'outil avait été assemblé à l'usine.

Rotation de la boîte de vitesses

(Fig. 14, Fig. 15)

1. Débranchez l'outil de sa source d'alimentation électrique.
2. Dévissez complètement les quatre vis entre le carter de la boîte de vitesses et le corps du moteur.
3. Tournez le carter d'engrenages de 90 degrés sans retirer le moteur du carter (Fig. 14).
4. Après avoir ajusté la position du carter des engrenages, vissez et serrez les quatre vis.
5. La vis maintenant en place le levier de libération rapide est plus longue que les autres vis (Fig. 15). Cette vis longue doit rester sur le levier de libération rapide lorsque vous rattachez le carter de la boîte de vitesses pour que le bouton de libération rapide puisse fonctionner correctement.
6. Suivez les instructions de la section ci-dessous pour installer correctement le dispositif de protection.



Assemblage

Installation d'un dispositif de protection pour la coupe de maçonnerie de Type F (1A/41) avec plaque de base

(Fig. 14, Fig. 15, Fig. 16, Fig. 17)

1. Débranchez l'outil de sa source d'alimentation électrique.
2. Faites tourner la boîte de vitesses comme illustré sur les Figures 14 et 15.
3. Dévissez et retirez la poignée latérale de contrôle des vibrations **2**.
4. Faites glisser le dispositif de protection pour la coupe de maçonnerie sur la bride de fixation du dispositif de protection.
5. Faites pivoter le dispositif de protection pour la coupe de maçonnerie jusqu'à ce que le support de stabilisation et le trou pour la poignée latérale soient alignés.
6. Vissez la poignée latérale de contrôle des vibrations **2** pour fixer le support de stabilisation entre le boîtier de l'outil et la poignée latérale de contrôle des vibrations **2**.
7. Ajustez le dispositif de protection pour la coupe de maçonnerie en fonction de la profondeur de coupe souhaitée.

POUR DÉPOSER : Inversez la procédure.

Installation d'une meule diamantée pour coupe à sec

Suivez toutes les instructions fournies avec le dispositif de protection pour la coupe de maçonnerie de Type F (1A/41) pour le préparer en vue de l'installation d'accessoires compatibles et de sa mise en service.

Installation de la meule diamantée pour coupe à sec

(Fig. 16, Fig. 17)

1. Pour **GWS14-50P, GWS14-50, GWS14-60**
Placez la bride de support **5a** sur la broche **4**. Assurez-vous que la bride de support **5a** s'enclenche dans la base de la broche **4**, fig. 16.
2. Pour **GWS14-50B**
Placer la bride de support **5b** sur la broche **4**. Assurez-vous que la bride de support **5b** s'enclenche dans la base de la broche **4**, fig. 17.
2. Placez la meule diamantée pour coupe à sec sur la broche **4** et alignez le trou de l'arbre sur l'épaulement de la bride de support **5**.
3. Enfilez le contre-écrou **12** et serrez-le à l'aide de la clé pour contre-écrous **12** tout en tenant le dispositif de verrouillage de la broche **7**.

POUR DÉPOSER : Inversez la procédure.

Fig. 16

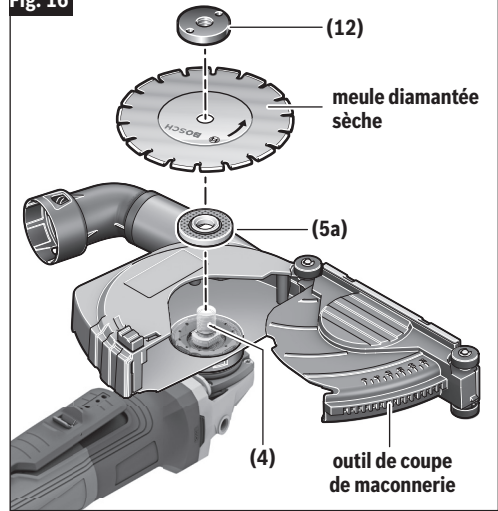
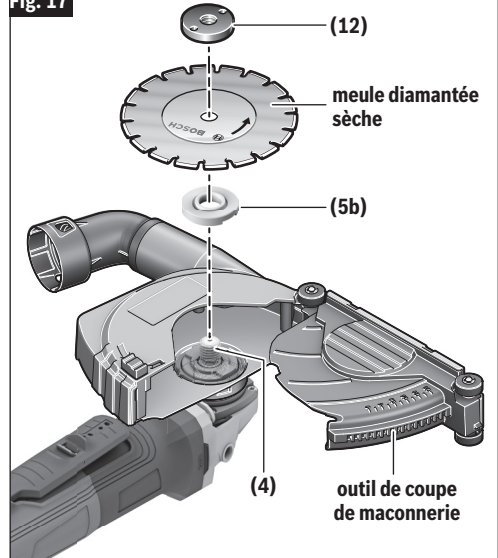
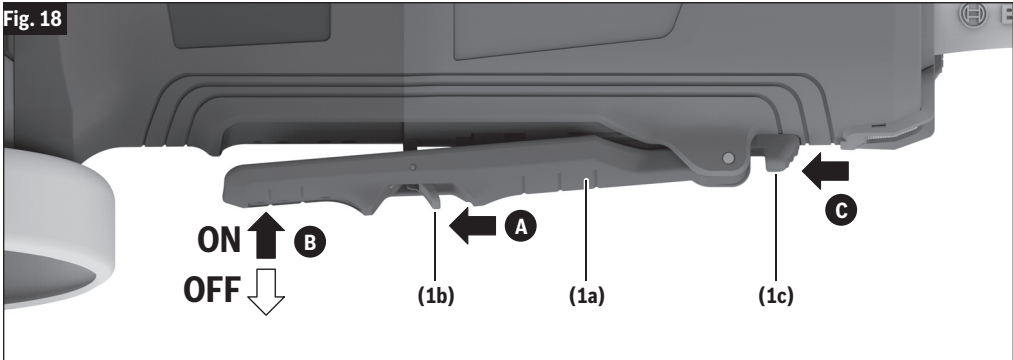


Fig. 17



Consignes de fonctionnement



Interrupteur à palette avec verrouillage en position activée

(Fig. 18)

Pour mettre l'outil sous tension

Poussez le levier de relâchement de l'interrupteur de verrouillage en position désactivée **1b** vers l'avant pour déverrouiller l'interrupteur à palette **1a** **A**, puis comprimez l'interrupteur à palette **1a** **B**.

Pour enclencher le verrouillage en position activée, lorsque l'interrupteur à palette **1a** est en position activée, appuyez sur le bouton de verrouillage en position activée **1c** **C** tout en relâchant simultanément l'interrupteur à palette **1a**. L'interrupteur à palette **1a** doit rester verrouillé en position activée pour que l'outil continue à fonctionner.

Pour mettre l'outil hors tension

Relâchez l'interrupteur à palette **1a**. Il s'agit d'un interrupteur à ressort qui retournera automatiquement dans la position désactivée.

Pour éteindre l'outil lorsque la fonction de verrouillage en position activée est engagée, appuyez d'abord sur l'interrupteur à palette **1a**, puis relâchez-le.

Interrupteur coulissant avec verrouillage en position activée

(Fig. 19)

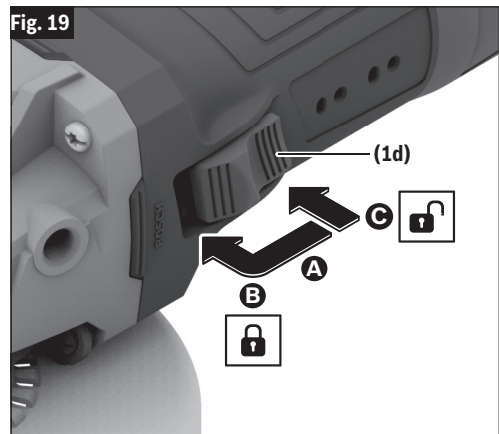
Pour mettre l'outil sous tension

Faites glisser l'interrupteur coulissant **1d** vers l'avant, en direction du carter d'engrenages, jusqu'à ce qu'il s'arrête et que le moteur commence à fonctionner **A**.

Pour le verrouillage en position activée, lorsque l'interrupteur coulissant **1d** est en position sous tension, appuyez sur l'avant de l'interrupteur coulissant **1d** **B**, puis relâchez-le. L'interrupteur coulissant **1d** doit rester verrouillé en position activée pour que l'outil continue à fonctionner.

Pour mettre l'outil hors tension

Appuyez sur la partie arrière de l'interrupteur coulissant **1d** **C**. L'interrupteur coulissant **1d** est un interrupteur à ressort qui retournera automatiquement dans la position désactivée.



Consignes de fonctionnement

Présélection de la vitesse

⚠ AVERTISSEMENT La vitesse nominale des accessoires doit être au moins égale à la vitesse de fonctionnement maximum indiquée sur l'outil électrique. Si des accessoires fonctionnent à une vitesse supérieure à leur vitesse nominale, ils risquent de se casser et d'être projetés dans l'air.

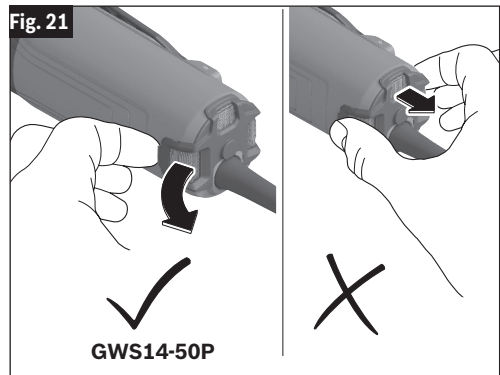
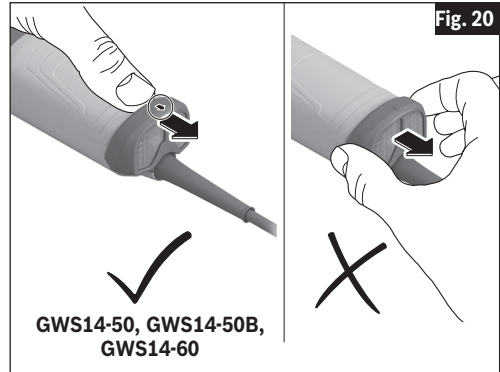
Utilisation de la molette de réglage de la vitesse

(Fig. 1, Fig. 2, Fig. 3, Fig. 20, Fig. 21)

La molette de réglage de la vitesse **9** est située à l'arrière de la meuleuse, à côté du cordon d'alimentation. Pour réduire au minimum l'entrée de particules de poussière et de débris dans la meuleuse, un filtre à mailles métalliques **13** recouvre la molette de réglage de la vitesse **9** et les ouvertures d'admission d'air.

Pour accéder à la molette de réglage de la vitesse **9**, le filtre métallique **13** doit être retiré. Poussez fermement le bord supérieur en plastique du filtre à mailles métalliques **13** vers l'arrière de la meuleuse. Pour retirer complètement le filtre à mailles métalliques **13**, il peut également être nécessaire de pousser et de soulever légèrement l'un des côtés du filtre. Ne jetez pas le cache du filtre à mailles métalliques **13**.

Utilisez la molette de réglage de la vitesse **9** pour sélectionner la vitesse appropriée en fonction de l'application. Utilisez le tableau de sélection de la vitesse comme référence. Après avoir effectué les réglages de vitesse, fixez à nouveau le cache du filtre à mailles métalliques **13** sur la meuleuse en alignant le contour du filtre sur l'extrémité arrière du boîtier de la meuleuse.



Niveau de présélection de la vitesse	GWS14-50P, GWS14-50, GWS14-50B [min ⁻¹]	GWS14-60 [min ⁻¹]
1	2800	2400
2	4500	4100
3	6300	5400
4	8200	6700
5	9800	8000
6	11,500	9700

Les valeurs spécifiées pour les niveaux de vitesse sont des valeurs indicatives.

Consignes de fonctionnement

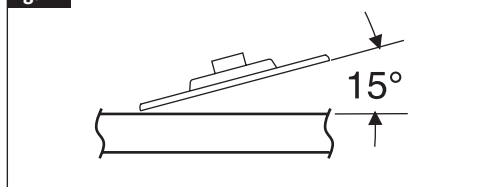
Meulage des métaux

⚠ AVERTISSEMENT La vitesse nominale des accessoires doit être au moins égale à la vitesse de fonctionnement maximum indiquée sur l'outil électrique. Si des accessoires fonctionnent à une vitesse supérieure à leur vitesse nominale, ils risquent de se casser et d'être projetés dans l'air.

Pour de meilleurs résultats, choisissez les meules soigneusement. Les meules diffèrent de plusieurs façons : granulométrie, composition, dureté, taille des particules et structure. Le choix de la meule est dicté par le type de travail à réaliser. Les meules sont recommandées pour le meulage rapide de l'acier de construction, des cordons de soudure prononcés, des pièces d'acier coulé, de l'acier inoxydable et d'autres métaux ferreux.

1. Laissez l'outil atteindre sa vitesse normale avant de le mettre en contact avec la surface de travail.
2. Appliquez le minimum de pression sur la surface de travail de façon à permettre à l'outil de fonctionner à grande vitesse. Plus la vitesse de l'outil sera élevée, plus le meulage sera rapide.
3. Maintenez un angle de 10 à 15 degrés entre l'outil et la surface de travail (Fig. 22).

Fig. 22



4. Déplacez continuellement l'outil à une vitesse modérée pour éviter de faire des rayures sur la surface de travail.
5. Éloignez l'outil de la surface de travail avant de l'arrêter. Laissez l'outil s'arrêter de tourner complètement avant de le poser sur une surface quelconque.

Suggestion : Lors du rodage d'une meule neuve, assurez-vous de meuler en tirant l'outil vers l'arrière jusqu'à ce que l'arête de la meule devienne arrondie. Les arêtes des meules neuves sont vives et ont tendance à « mordre » ou à trancher la pièce quand l'outil est poussé vers l'avant.

Coupe de métal

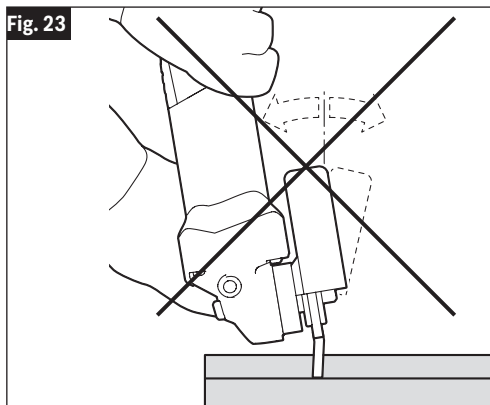
⚠ AVERTISSEMENT Utilisez toujours un dispositif de protection de meule de coupe de Type A (1A/41) pour la coupe. La coupe avec un dispositif de protection de meule de Type B (27) peut ne pas offrir à l'opérateur une protection suffisante en cas d'éclatement de la meule.

Avec cet outil, il est possible de couper des quantités limitées de matériaux, comme des tubes, des canalisations ou des barres d'armature. Lorsque vous coupez de tels matériaux, travaillez à une vitesse modérée, adaptée au matériau que vous êtes en train de couper. Lorsque vous coupez des profilés et des barres à section carrée, il est conseillé de commencer par la partie du matériau ayant la section transversale la plus petite.

Prenez toujours les précautions nécessaires pour éviter les chocs en retour.

1. Attendez que l'outil atteigne sa vitesse de fonctionnement normale avant de le mettre en contact avec la surface de travail.
2. L'outil doit toujours être utilisé de telle façon que les étincelles soient dirigées dans le sens opposé à celui de l'opérateur.
3. Appliquez le minimum de pression sur la surface de travail de façon à permettre à l'outil de fonctionner à grande vitesse. Plus la vitesse de l'outil sera élevée, plus la coupe sera rapide.
4. N'exercez pas une pression latérale sur le disque de coupe. N'inclinez pas l'outil et ne le faites pas osciller car cela risquerait de faire éclater la roue (Fig. 23).

Fig. 23



5. Retirez l'outil de la surface de travail avant de le mettre hors tension. Attendez que l'outil ait cessé de tourner complètement avant de le poser sur une surface quelconque.

Consignes de fonctionnement

Coupe de maçonnerie/béton

⚠ AVERTISSEMENT Par ailleurs, ne tirez jamais l'outil vers l'arrière car la lame sortirait alors du matériau et un **CHOC EN RETOUR** se produirait.

Cette meule vous permet de couper des matériaux en béton et en maçonnerie. Lorsque vous coupez de tels matériaux, travaillez à une vitesse modérée, adaptée au matériau que vous êtes en train de couper.

Prenez toujours les précautions nécessaires pour éviter les chocs en retour.

Utilisez cet outil avec un système d'extraction de la poussière et un équipement de protection personnelle contre la poussière, comme un appareil respiratoire, un masque antipoussière, etc. L'aspirateur employé pour cette application doit être approuvé pour l'extraction de poussière de maçonnerie et de béton. Bosch vend des aspirateurs appropriés dans ce but.

1. Attendez que l'outil atteigne sa vitesse de fonctionnement normale avant de le mettre en contact avec la surface de travail.
2. En cas de coupe en plongée :
 - a. Inclinez l'outil vers l'avant de façon que la meule soit alignée sur le trait de coupe, et tenez l'outil par le corps de la meule et la poignée auxiliaire (Fig. 24).
 - b. Abaissez progressivement la partie arrière de l'outil en utilisant l'extrémité avant du pied comme point d'articulation.
 - c. Lorsque l'outil repose à plat sur la surface en train d'être coupée, coupez vers l'avant jusqu'à ce que vous ayez atteint le point final du trait de coupe.
3. Maintenez toujours un contact entre le pied du dispositif de protection et l'ouvrage.
4. Faites glisser l'outil vers l'avant à une vitesse modérée, adaptée au matériau en train d'être coupé. Coupez toujours en direction de l'orifice d'extraction de la poussière afin de maximiser l'extraction de poussière et de réduire le risque d'effet de rebond (Fig. 25).
5. Appliquez le minimum de pression sur la surface de travail de façon à permettre à l'outil de fonctionner à grande vitesse. Plus la vitesse de l'outil sera élevée, plus la coupe sera rapide.
6. Retirez l'outil de la surface de travail avant de le mettre hors tension. Attendez que l'outil ait cessé de tourner complètement avant de le poser sur une surface quelconque.

Fig. 24

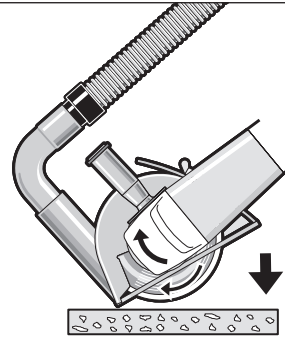
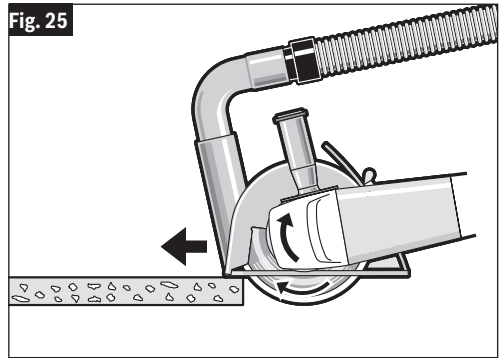


Fig. 25



Suggestion : lorsque vous devez réaliser des coupes profondes, il est préférable de couper le matériau en plusieurs passes peu profondes. Aucune passe ne doit dépasser la profondeur du segment de la meule. La poussière de maçonnerie est abrasive, et elle risquerait d'affaiblir et d'user l'adhérence du segment.

Lorsque vous coupez un matériau particulièrement dur, p. ex. du béton avec une teneur en cailloux élevée, la meule diamantée sèche risque de surchauffer et d'être endommagée. Ceci est indiqué très clairement par les étincelles circulaires produites par la rotation de la meule diamantée sèche. Dans ce cas, interrompez l'opération de coupe et laissez refroidir la roue diamantée sèche pendant une brève période à la vitesse maximum à vide.

Un ralentissement notable de la progression de l'opération et la production d'étincelles circulaires indiquent qu'une meule diamantée sèche est devenue émoussée. Effectuez alors quelques brèves coupes dans des matériaux abrasifs (p. ex., des briques) pour essayer de réaffûter la meule.

Consignes de fonctionnement

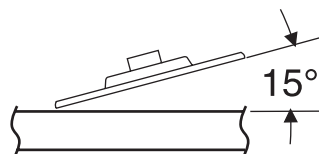
Ponçage

Les disques de ponçage peuvent avoir une densité de grains comprise entre 16 (très grossier) à 180 (très fin). Ils varient également en termes de taille et d'espacement des grains.

Le type de disque à COUCHE OUVERTE (Type H) est utilisé pour les matériaux doux, et sur la peinture et le vernis, alors que le type de disque à COUCHE FERMÉE (Type K) est utilisé pour le métal, le bois dur, la pierre, le marbre et d'autres matériaux. Sélectionnez soigneusement les disques de ponçage afin d'obtenir les meilleurs résultats possibles. De nombreuses applications nécessitent l'emploi de plusieurs tailles de grains, et il arrive qu'une application nécessite l'utilisation à la fois de disques à couche ouverte et de disques à couche fermée. Consultez le tableau pour des exemples d'applications.

1. Attendez que l'outil atteigne sa vitesse de fonctionnement normale avant de le mettre en contact avec la surface de travail.
2. Appliquez le minimum de pression sur la surface de travail de façon à permettre à l'outil de fonctionner à grande vitesse. Plus la vitesse de l'outil sera élevée, plus le ponçage sera rapide.
3. Maintenez un angle de 10 à 15 degrés entre l'outil et la surface de travail (Fig. 26).
4. Déplacez continuellement l'outil à une vitesse modérée pour éviter de faire des rayures sur la surface de travail.
5. Éloignez l'outil de la surface de travail avant de le mettre hors tension. Laissez l'outil s'arrêter de tourner complètement avant de le poser sur une surface quelconque.

Fig. 26



Suggestions : guidez le disque à l'aide de mouvements entrecroisés. Ne faites pas de mouvements circulaires car ceci laisserait des marques de tourbillonnement.

OPÉRATION : Refinition des surfaces en bois ou en métal peint.

REMARQUES	GRAIN
Pour décaper la peinture et aplanir les irrégularités de surface.	Gros 16-24-30
Pour adoucir les surfaces ayant subi un ponçage de dégrossissage.	Moyen 36-50-80
Pour enlever les égratignures laissées par un ponçage antérieur.	Fin 100-120
Pour adoucir une surface avant la peinture, le polissage ou le cirage.	Très Fin 150-180

Consignes de fonctionnement

Polissage du métal et du béton

⚠ AVERTISSEMENT N'utilisez pas de meuleuse d'angle pour polir les surfaces peintes ou les plastiques. L'utilisation de meuleuses d'angle pour de telles applications peut endommager les matériaux et les surfaces.

Les meuleuses d'angle peuvent être utilisées pour certaines opérations de polissage telles que la création de surfaces lisses sur le métal, le béton ou la pierre. Le polissage de ces matériaux nécessite certaines compétences, et il implique le choix d'accessoires appropriés ainsi que le réglage de la meuleuse. Toutes les opérations de polissage commencent par un ponçage destiné à éliminer les imperfections telles que les soudures ou les bavures sur le métal, à niveler les zones de béton irrégulières ou à effectuer des coupes dans la pierre, comme le marbre. L'étape suivante consiste à éliminer les marques laissées par les outils à l'aide d'un disque de ponçage à grain approprié ou de pierres de polissage montées sur un support en fibre/époxy de Type 27, comme une meule à lamelles ayant un grain abrasif typique compris entre 200 et 600.

Pour obtenir une finition lisse, il convient d'utiliser un disque de ponçage fin ou une pierre à polir à grain abrasif de 1 600. Pour obtenir les meilleurs résultats de polissage possibles, il est recommandé d'utiliser une meuleuse à vitesse variable, la vitesse devant être réglée sur environ 4 000 tr/min. Si possible, on peut également utiliser une meule en feutre pour meuleuse d'angle et un produit de polissage. Lors de l'utilisation d'une meuleuse sans réglage de vitesse variable, la surface travaillée doit être surveillée attentivement afin d'éviter une surchauffe pouvant être due au frottement.

Brosse métallique (meules et coupelles)

Les brosses métalliques servent à « nettoyer » l'acier de construction, les pièces d'acier coulé, la tôle, la pierre et le béton. Elles servent également à décaper la rouille, le tartre et la peinture.

1. Laissez l'outil atteindre sa vitesse de croisière avant de mettre l'outil en contact avec la surface de l'ouvrage.
2. Appliquez une pression minimale sur la surface de travail, ce qui permet à l'outil de fonctionner à grande vitesse.
3. Déplacez continuellement l'outil à une vitesse modérée afin d'éviter de créer des goujures sur la surface de travail.
4. Retirez l'outil de la surface de travail avant de l'éteindre. Attendez que l'outil cesse de tourner pour le poser.

Suggestion : Les pointes de la brosse font le travail. Utilisez les brosses métalliques en exerçant la pression la plus légère possible, de manière à ce que seules les pointes en métal entrent en contact avec la pièce à travailler. Si des pressions plus élevées sont utilisées, les pointes en métal seront surchargées, ce qui entraînera une action de frottement et une réduction de la durée de vie de la brosse en raison de l'usure des pointes. L'application du côté ou du bord de la brosse sur la pièce à travailler entraînera la rupture des pointes et réduira la durée de vie de la brosse.

BROSSE EN COUPE	
CORRECT: Les pointes des poils font le travail.	
INCORRECT: Pression excessive risquant de briser les poils.	

BROSSE MÉTALLIQUE CIRCULAIRE	
CORRECT: Les pointes des poils font le travail.	
INCORRECT: Pression excessive risquant de briser les poils.	

Entretien

AVERTISSEMENT

Pour éviter les accidents, débranchez toujours l'outil et/ou le chargeur de sa source d'alimentation secteur avant toute opération de maintenance ou de nettoyage.

Service

AVERTISSEMENT

IL N'Y A AUCUN COMPOSANT POUVANT ÊTRE RÉPARÉ PAR L'UTILISATEUR À L'INTÉRIEUR. Une maintenance effectuée par une personne non autorisée pourrait entraîner un placement incorrect de fils et de composants internes, ce qui pourrait être très dangereux.

Nous recommandons que toutes les réparations de cet outil soient effectuées par un centre de service après-vente usine de Bosch ou par un poste de service agréé par Bosch.

Graissage de l'outil

Votre outil Bosch a été graissé de manière appropriée et il est prêt à l'usage. Il est recommandé de regraisser les outils à engrenages avec un lubrifiant spécial pour engrenages à chaque changement de brosse.

Balais ou charbons

Les balais (ou charbons) et le collecteur de votre outil ont été conçus pour apporter de nombreuses heures de fonctionnement fiable. Pour maintenir le rendement optimal du moteur, nous recommandons de faire examiner les balais tous les deux à six mois par un centre de service après-vente usine de Bosch ou un poste de service agréé par Bosch. Il ne faut utiliser que des balais de rechange Bosch d'origine et conçus pour votre outil.

Nettoyage

MISE EN GARDE

Certains agents de nettoyages et certains dissolvants abiment les pièces en plastique. Parmi ceux-ci se trouvent: l'essence, le tétrachlorure de carbone, les dissolvants de nettoyage chlorés, l'ammoniaque ainsi que les détergents domestiques qui en contiennent.

Les prises d'air et les leviers de commutation doivent être gardés propres et exempts de corps étrangers. Ne tentez pas de nettoyer en insérant des objets pointus à travers l'ouverture.

Rangement & maintenance des accessoires

Rangez les accessoires dans un endroit frais et sec, et évitez le gel. Avant de vous en servir, inspectez les accessoires pour vous assurer qu'ils ne sont pas fissurés ou fracturés ; ne les utilisez pas si vous suspectez qu'ils sont endommagés.

Cordons de rallonge

⚠ AVERTISSEMENT Si un cordon de rallonge s'avère nécessaire, vous devez utiliser un cordon avec conducteurs de dimension adéquate pouvant porter le courant nécessaire à votre outil. Ceci préviendra une chute excessive de tension, une perte de courant ou une surchauffe. Les outils mis à la terre doivent utiliser des cordons de rallonge trifilaires pourvus de fiches à trois broches ainsi que des prises à trois broches.

REMARQUE : Plus le calibre du cordon est petit, plus sa capacité est élevée.

DIMENSIONS DE RALLONGES RECOMMANDÉES OUTILS 120 VOLTS COURANT ALTERNATIF

Intensité nominale de l'outil	Calibre A.W.G.				Calibre en mm ²			
	Longueur en pieds				Longueur en mètres			
	25	50	100	150	15	30	60	120
3-6	18	16	16	14	0.75	0.75	1.5	2.5
6-8	18	16	14	12	0.75	1.0	2.5	4.0
8-10	18	16	14	12	0.75	1.0	2.5	4.0
10-12	16	16	14	12	1.0	2.5	4.0	—
12-16	14	12	—	—	—	—	—	—

Accessories

⚠ AVERTISSEMENT N'utilisez pas d'attachements/d'accessoires autres que ceux qui sont spécifiés par Bosch. L'utilisation d'attachements/d'accessoires non spécifiés pour une utilisation avec l'outil décrit dans ce mode d'emploi peut entraîner des dommages à l'outil, des dommages matériels ou des blessures.

⚠ AVERTISSEMENT N'utilisez pas de meules abrasives de Type 11 (boisseau) avec cet outil. Cet outil n'est pas conçu pour emploi avec des meules abrasives de Type 11 (boisseau).

Accessoires et pièces jointes en option	Numéro de catalogue
Dispositifs de protection de Type F pour la coupe de béton et/ou de maçonnerie	18DC-5E
Attachement d'extraction de la poussière du béton	18SG-5E
Ensemble de plateau de support	MG0450 ou MG0500
Protège-main	1601329013



Símbolos de seguridad

Las definiciones que aparecen a continuación describen el nivel de gravedad de cada palabra de señal de seguridad. Por favor, lea el manual y preste atención a estos símbolos.

	Éste es el símbolo de alerta de seguridad. Se utiliza para alertarle a usted de posibles peligros de lesiones corporales. Obedezca todos los mensajes de seguridad que sigan a este símbolo para evitar posibles lesiones o muerte.
	PELIGRO indica una situación peligrosa que, si no se evita, causará la muerte o lesiones graves.
	ADVERTENCIA indica una situación peligrosa que, si no se evita, podría causar la muerte o lesiones graves.
	PRECAUCIÓN indica una situación peligrosa que, si no se evita, podría causar lesiones leves o moderadas.

Tabla de contenido

Advertencias generales de seguridad para herramientas mecánicas	71	Ruedas abrasivas de tipo 1 para amoladoras rectas	90
Advertencias de seguridad específicas para herramientas mecánicas	73	Ensamblaje de lijado	91
Advertencias de seguridad adicionales	76	Ensamblaje del cepillo de alambre	92
Uso previsto	78	Ensamblaje de la rueda con rayos de alambre	92
Especificaciones	79	Tipo E (protector de la rueda de diamante para amolar superficies) con aditamento de extracción de polvo de concreto para amolar superficies	93
Aplicaciones	80	Ensamblaje del protector para cortar mampostería	94
Símbolos	81	Instalación del protector para cortar mampostería de Tipo F (1A/41) con placa-base	95
Descripciones funcionales	83	Instalación de una rueda de diamante para cortar en seco	95
Operación de freno	83	Instrucciones de funcionamiento	96
Conociendo su producto	84	Interruptor de paleta con fijación en ENCENDIDO	96
Ensamblaje	87	Interruptor deslizante con fijación en ENCENDIDO	96
Mango lateral de control de la vibración	87	Preselección de velocidad	97
Protector de la mano (accesorio opcional)	87	Amolado de metales	98
Tuerca de fijación y pestaña de soporte	87	Corte de metal	98
Tuerca de fijación y pestaña de soporte (GWS14-50B)	87	Corte de mampostería / concreto	99
Instalación del protector de la rueda (protectores de la rueda de Tipo 27 y Tipo 1A/41)	88	De lijado	100
Ensamblaje de la rueda de amolar	89		
Ensamblaje de la rueda abrasiva de tipo 1A/41 y 27A/42	90		





Tabla de contenido

Pulido de metal y concreto	101	Limpieza.	102
Cepillo de alambre (ruedas y copas)	101	Almacenamiento y mantenimiento de los accesorios.	102
Mantenimiento.	102	Cordones de extensión	103
Servicio	102	Accesorios	103
Lubricación de las herramientas	102		
Escobillas de carbón	102		

Advertencias generales de seguridad para herramientas mecánicas

⚠ ADVERTENCIA Lea todas las advertencias de seguridad, instrucciones, ilustraciones y especificaciones suministradas con esta herramienta eléctrica. Si no se siguen todas las instrucciones que se indican a continuación, es posible que el resultado sea descargas eléctricas, incendio y/o lesiones graves.

GUARDE TODAS LAS ADVERTENCIAS E INSTRUCCIONES PARA REFERENCIA FUTURA

La expresión "herramienta mecánica" en las advertencias se refiere a su herramienta mecánica alimentada por la red eléctrica (herramienta alámbrica) o su herramienta mecánica alimentada por baterías (herramienta inalámbrica).

1. Seguridad del área de trabajo

- a. **Mantenga el área de trabajo limpia y bien iluminada.** Las áreas desordenadas u oscuras invitan a que se produzcan accidentes.
- b. **No utilice herramientas mecánicas en atmósferas explosivas, como por ejemplo en presencia de líquidos, gases o polvos inflamables.** Las herramientas mecánicas generan chispas que pueden incendiar el polvo o los vapores.
- c. **Mantenga alejados a los niños y a las personas que estén presentes mientras esté utilizando una herramienta mecánica.** Las distracciones pueden hacerle perder el control de la herramienta.

2. Seguridad eléctrica

- a. **Los enchufes de las herramientas mecánicas deben coincidir con el tomacorriente. No modifique nunca el enchufe de ningún modo. No use enchufes adaptadores con herramientas mecánicas conectadas a tierra (puestas a tierra).** Los enchufes no modificados y los tomacorrientes coincidentes reducirán el riesgo de sacudidas eléctricas.
- b. **Evite el contacto del cuerpo con las superficies conectadas o puestas a tierra, tales como tuberías, radiadores, estufas y refrigeradores.** Hay un aumento del riesgo de sacudidas eléctricas si el cuerpo del operador se conecta o pone a tierra.
- c. **No esponga las herramientas mecánicas a la lluvia o a condiciones mojadas.** La entrada de agua en una herramienta mecánica aumentará el riesgo de que se produzcan sacudidas eléctricas.

- d. **No maltrate el cordón de energía. No use nunca el cordón para transportar la herramienta mecánica, tirar de ella o desenchufarla. Mantenga el cordón alejado del calor, el aceite, los bordes afilados o las piezas móviles.** Los cordones dañados o enganchados aumentan el riesgo de que se produzcan sacudidas eléctricas.
- e. **Cuando utilice una herramienta mecánica en el exterior, use un cordón de extensión adecuado para uso a la intemperie.** La utilización de un cordón adecuado para uso a la intemperie reduce el riesgo de que se produzcan sacudidas eléctricas.
- f. **Si es inevitable utilizar una herramienta mecánica en un lugar húmedo, utilice una fuente de energía protegida por un interruptor de circuito accionado por corriente de pérdida a tierra (GFCI).** El uso de un GFCI reduce el riesgo de sacudidas eléctricas.

3. Seguridad personal

- a. **Manténgase alerta, fíjese en lo que está haciendo y use el sentido común cuando esté utilizando una herramienta mecánica. No use una herramienta mecánica cuando esté cansado o bajo la influencia de drogas, alcohol o medicamentos.** Un momento de distracción mientras esté utilizando herramientas mecánicas podría causar lesiones corporales graves.
- b. **Use equipo de protección personal. Use siempre protección de los ojos.** El equipo de protección, como por ejemplo una máscara antipolvo, calzado de seguridad antideslizante, casco o protección de oídos, utilizado para las condiciones apropiadas, reducirá las lesiones corporales.



Advertencias generales de seguridad para herramientas mecánicas

- c. **Evite el arranque accidental. Asegúrese de que el interruptor esté en la posición de apagado antes de conectar la herramienta a la fuente de energía y / o al paquete de batería, levantar la herramienta o transportarla.** Transportar herramientas mecánicas con un dedo en el interruptor o encender herramientas mecánicas que tengan el interruptor en la posición de encendido invita a que se produzcan accidentes.
- d. **Quite todas las llaves de ajuste o de tuerca antes de encender la herramienta mecánica.** Una llave de tuerca o de ajuste que se deje colocada en una pieza giratoria de la herramienta mecánica podría causar lesiones corporales.
- e. **No intente alcanzar demasiado lejos. Mantenga un apoyo de los pies y un equilibrio apropiados en todo momento.** Esto permite controlar mejor la herramienta mecánica en situaciones inesperadas.
- f. **Vístase adecuadamente. No use ropa holgada ni alhajas holgadas. Mantenga el pelo y la ropa de las piezas móviles.** La ropa holgada, las alhajas holgadas o el pelo largo pueden quedar atrapados en las piezas móviles.
- g. **Si se proporcionan dispositivos para la conexión de instalaciones de extracción y recolección de polvo, asegúrese de que dichas instalaciones estén conectadas y se usen correctamente.** El uso de dispositivos de recolección de polvo puede reducir los peligros relacionados con el polvo.
- h. **No deje que la familiaridad obtenida del uso frecuente de las herramientas le permita volverse complaciente e ignorar los principios de seguridad de las herramientas.** Una acción descuidada puede causar lesiones graves en una fracción de segundo.
- d. **Guarde las herramientas que no esté usando fuera del alcance de los niños y no deje que personas que no estén familiarizadas con la herramienta mecánica o con estas instrucciones utilicen la herramienta.** Las herramientas mecánicas son peligrosas en manos de usuarios que no hayan recibido capacitación.
- e. **Mantenga las herramientas eléctricas y sus accesorios. Compruebe si hay piezas móviles desalineadas o atoradas, si hay piezas rotas y cualquier otra situación que pueda afectar al funcionamiento de la herramienta eléctrica. Si la herramienta eléctrica está dañada, haga que sea reparada antes de utilizarla.** Muchos accidentes son causados por herramientas mecánicas mantenidas deficientemente.
- f. **Mantenga las herramientas de corte afiladas y limpias.** Es menos probable que las herramientas de corte mantenidas apropiadamente, con bordes de corte afilados, se atoren, y dichas herramientas son más fáciles de controlar.
- g. **Utilice la herramienta mecánica, los accesorios, las brocas de la herramienta, etc., de acuerdo con estas instrucciones, teniendo en cuenta las condiciones de trabajo y el trabajo que se vaya a realizar.** El uso de la herramienta mecánica para operaciones distintas a aquéllas para las que fue diseñada podría causar una situación peligrosa.
- h. **Mantenga los mangos y las superficies de agarre secos, limpios y libres de aceite y grasa.** Los mangos resbalosos y las superficies de agarre resbalosas no permiten un manejo y un control seguros de la herramienta en situaciones inesperadas.

4. Uso y cuidado de las herramientas mecánicas

- a. **No fuerce la herramienta mecánica. Use la herramienta mecánica correcta para la aplicación que desee realizar.** La herramienta mecánica correcta hará el trabajo mejor y con más seguridad a la capacidad nominal para la que fue diseñada.
- b. **No use la herramienta mecánica si el interruptor no la enciende y apaga.** Toda herramienta mecánica que no se pueda controlar con el interruptor es peligrosa y debe ser reparada.
- c. **Desconecte el enchufe de la fuente de alimentación y/o retire el paquete de batería de la herramienta eléctrica antes de hacer cualquier ajuste, cambiar accesorios o almacenar herramientas eléctricas.** Dichas medidas preventivas de seguridad reducen el riesgo de arrancar accidentalmente la herramienta mecánica.

5. Servicio de ajustes y reparaciones

- a. **Haga que su herramienta mecánica reciba servicio de un técnico de reparaciones calificado, utilizando únicamente piezas de repuesto idénticas.** Esto asegurará que se mantenga la seguridad de la herramienta mecánica.

Advertencias de seguridad específicas para herramientas mecánicas

1. Advertencias de seguridad comunes para las operaciones de amolado, lijado, cepillado con cepillo de alambre, pulido o tronzado abrasivo:

- a. Esta herramienta eléctrica está diseñada para funcionar como amoladora, lijadora, cepillo de alambre, pulidora, o herramienta tronzadora. Lea todas las advertencias de seguridad, instrucciones, ilustraciones y especificaciones suministradas con esta herramienta eléctrica. Si no se siguen todas las instrucciones que se indican a continuación, es posible que el resultado sea descargas eléctricas, incendio y/o lesiones graves
- b. No se recomienda realizar operaciones tales corte de agujeros con esta herramienta eléctrica. Es posible que las operaciones para las cuales no se diseñó la herramienta eléctrica creen un peligro y causen lesiones corporales.
- c. No convierta esta herramienta eléctrica para que funcione de una manera para la que no esté diseñada ni recomendada específicamente por el fabricante de la herramienta. Es posible que dicha conversión tenga como resultado pérdida de control y cause lesiones corporales graves.
- d. No utilice accesorios que no estén diseñados y recomendados específicamente por el fabricante de la herramienta. Solo porque el accesorio se pueda acoplar a su herramienta eléctrica, eso no garantiza un funcionamiento seguro.
- e. La velocidad nominal del accesorio debe ser por lo menos igual a la velocidad máxima marcada en la herramienta eléctrica. Los accesorios que funcionen más rápidamente que su velocidad nominal se pueden romper en pedazos y ser lanzados al aire.
- f. El diámetro exterior y el grosor de su accesorio deben estar dentro de los límites de la capacidad nominal de su herramienta eléctrica. Los accesorios de tamaño incorrecto no se pueden proteger con un protector ni controlar adecuadamente.
- g. Las dimensiones de montaje del accesorio deben ser compatibles con las dimensiones de los herrajes de montaje de la herramienta eléctrica. Los accesorios que no coincidan con los herrajes de montaje de la herramienta eléctrica funcionarán desequilibrados, vibrarán excesivamente y es posible que causen pérdida de control.
- h. No utilice un accesorio que esté dañado. Antes de cada uso, inspeccione el accesorio, como por ejemplo los discos abrasivos para determinar si tienen picaduras y grietas, la almohadilla de lijar para revisar si tiene grietas, desgarraduras o desgaste excesivo, y el cepillo de alambre para comprobar si hay alambres flojos o agrietados. Si la herramienta eléctrica o el accesorio se caen, realice una inspección para comprobar si se han dañado o instale un accesorio que no esté dañado. Después de inspeccionar e instalar un accesorio, posicione usted y posicione a los curiosos de manera que estén alejados del plano del accesorio rotativo y tenga en funcionamiento la herramienta eléctrica a la máxima velocidad sin carga durante un minuto. Normalmente, los accesorios dañados se romperán en pedazos durante este tiempo de prueba.
- i. Use equipo de protección personal. Dependiendo de la aplicación, use una careta, anteojos de seguridad o gafas de seguridad. Según sea apropiado, use una máscara antipolvo, protectores de la audición, guantes y un delantal de taller capaz de detener pequeños fragmentos abrasivos o de la pieza de trabajo. La protección de los ojos debe ser capaz de detener los residuos que sean lanzados al aire al ser generados por diversas operaciones. La máscara antipolvo o el respirador deben ser capaces de filtrar las partículas generadas por la operación que usted esté realizando. Es posible que la exposición prolongada a ruido de alta intensidad cause pérdida de audición.
- j. Mantenga a los curiosos a una distancia segura del área de trabajo. Toda persona que entre al área de trabajo debe usar equipo de protección personal. Los fragmentos de la pieza de trabajo o de un accesorio roto pueden ser lanzados al aire y causar lesiones más allá del área de operación inmediata.
- k. Agarre la herramienta eléctrica solo por las superficies de agarre con aislamiento cuando realice una operación en la que el accesorio de corte pueda entrar en contacto con cables ocultos o con su propio cable. Si el accesorio de corte entra en contacto con un cable que tenga corriente, eso hará que las partes metálicas de la herramienta eléctrica que estén al descubierto tengan corriente, lo cual podría causar una descarga eléctrica al operador.
- l. Posicione el cable de manera que esté alejado del accesorio que gira. Si usted pierde el control, es posible que el cable resulte cortado o se enganche, y puede que la mano o el brazo le sean jalados hacia el accesorio que gira.
- m. No deje nunca la herramienta eléctrica en ningún lugar hasta que el accesorio se haya detenido por completo. Es posible que el accesorio que gira se enganche en la superficie y jale la herramienta eléctrica hasta hacer que usted pierda el control de la misma.
- n. No tenga la herramienta eléctrica en funcionamiento mientras la lleve junto a usted. Un contacto accidental con el accesorio que gira podría engancharle la ropa y jalar el accesorio hasta su cuerpo.

Advertencias de seguridad específicas para herramientas mecánicas

- o. Limpie regularmente las aberturas de ventilación de la herramienta eléctrica.** El ventilador del motor absorberá el polvo en el interior de la carcasa y es posible que la acumulación excesiva de metal en polvo cause peligros eléctricos.
- p. No utilice la herramienta eléctrica cerca de materiales inflamables.** Las chispas podrían incendiar estos materiales.
- q. No utilice accesorios que requieran refrigerantes líquidos.** El uso de agua u otros refrigerantes líquidos podría causar electrocución o descargas eléctricas.

2. Retroceso y advertencias relacionadas:

El retroceso es una reacción repentina a un disco, una almohadilla de refuerzo, un cepillo o cualquier otro accesorio rotativo que resulte pellizcado o enganchado. El pellizcamiento o el enganche causan una parada rápida del accesorio que rota, lo cual a su vez hace que la herramienta eléctrica descontrolada sea forzada en dirección opuesta a la de rotación del accesorio en el punto de atoramiento.

Por ejemplo, si un disco abrasivo se engancha o se pellizca en la pieza de trabajo, el borde del disco que esté entrando en el punto de pellizcamiento puede penetrar en la superficie del material, haciendo que el disco se salga del corte o experimente retroceso. Es posible que el disco salte hacia el operador o alejándose del mismo, dependiendo del sentido de movimiento del disco en el punto de pellizcamiento. Es posible que los discos abrasivos también se rompan en estas condiciones.

El retroceso es el resultado de una utilización indebida de la herramienta eléctrica y/o de procedimientos o condiciones de operación incorrectos, y se puede evitar tomando las precauciones apropiadas que se indican a continuación.

- a. Mantenga un agarre firme con las dos manos en la herramienta eléctrica y posicione el cuerpo y los brazos para permitir que usted resista las fuerzas de retroceso. Utilice siempre un mango auxiliar, si se suministra, para tener el máximo control sobre la reacción de retroceso o fuerza de torsión durante el arranque.** El operador puede controlar las reacciones de fuerza de torsión o las fuerzas de retroceso, si se toman las precauciones apropiadas.
- b. No ponga nunca la mano cerca del accesorio que rota.** Es posible que el accesorio retroceda hasta la mano.
- c. No posicione el cuerpo en el área donde la herramienta eléctrica se moverá si ocurre retroceso.** El retroceso propulsará la herramienta en sentido opuesto al del movimiento del disco en el punto de enganche.

- d. Tenga cuidado especial cuando trabaje en esquinas, bordes afilados, etc. Evite rebotar y enganchar el accesorio.** Las esquinas, los bordes afilados o los rebotes tienen tendencia a enganchar el accesorio que rota y causar pérdida de control o retroceso.
- e. No instale una hoja de cadena de sierra para tallar madera, un disco de diamante segmentado con una holgura periférica superior a 10 mm (13/32 de pulgada) o una hoja de sierra dentada.** Dichas hojas generan retroceso y pérdida de control frecuentes.

3. Advertencias de seguridad comunes para las operaciones de amolado y de tronzado abrasivo:

- a. Utilice únicamente los tipos de disco que estén recomendados para su herramienta eléctrica y el protector específico diseñado para el disco seleccionado.** Los discos para los cuales la herramienta eléctrica no fue diseñada no pueden protegerse adecuadamente y son inseguros.
- b. La superficie de amolado de los discos con depresión en el centro se debe montar de manera que esté debajo del plano del reborde del protector.** Un disco montado incorrectamente que sobresalga a través del plano del reborde del protector no se puede proteger adecuadamente.
- c. El protector se debe instalar firmemente en la herramienta eléctrica y se debe posicionar para que ofrezca la máxima seguridad, de manera que la cantidad de disco que se exponga hacia el operador sea mínima.** El protector ayuda a proteger al operador contra los fragmentos de disco roto, el contacto accidental con el disco y las chispas que podrían incendiar la ropa.
- d. Los discos se deben utilizar solo para las aplicaciones especificadas. Por ejemplo: no amole con el lado de un disco recortador.** Los discos recortadores abrasivos están diseñados para realizar amolado periférico; es posible que la aplicación de fuerzas laterales a estos discos haga que se rompan en pedazos.
- e. Utilice siempre bridas de disco que no estén dañadas y que tengan el tamaño y la forma correctos para el disco que haya seleccionado.** Las bridas de disco adecuadas soportan el disco, por lo que reducen la posibilidad de rotura del mismo. Es posible que las bridas para discos recortadores sean distintas a las bridas para discos de amolar.
- f. No utilice discos cuyo tamaño se haya reducido al desgastarse que pertenezcan a herramientas eléctricas más grandes.** Un disco diseñado para una herramienta eléctrica más grande no es adecuado para la velocidad más alta de una herramienta más pequeña y es posible que reviente.

Advertencias de seguridad específicas para herramientas mecánicas

g. Cuando utilice discos de uso dual, use siempre el protector correcto para la aplicación que se esté realizando. Si no se utiliza el protector correcto, es posible que no se proporcione el nivel de protección deseado, lo cual podría causar lesiones graves.

4. Advertencias de seguridad adicionales específicas para las operaciones de tronzado abrasivo:

a. No "atore" el disco recortador ni aplique una presión excesiva. No intente hacer un corte de profundidad excesiva. Si el disco se somete a un esfuerzo excesivo, se aumentan la carga de trabajo y la susceptibilidad del disco a torcerse o atorarse en el corte, así como la posibilidad de retroceso o rotura del disco.

b. No posicione el cuerpo en línea con el disco que rota ni detrás del mismo. Cuando el disco, en el punto de operación, se esté moviendo alejándose del cuerpo del operador, puede que el posible retroceso propulse el disco que gira y la herramienta eléctrica directamente hacia el operador.

c. Cuando el disco se esté atorando o cuando se interrumpa un corte por cualquier motivo, apague la herramienta eléctrica y manténgala inmóvil hasta que el disco se detenga por completo. No intente nunca retirar del corte el disco tronzador mientras dicho disco esté en movimiento, ya que de lo contrario podría ocurrir retroceso. Investigue y tome medidas correctivas para eliminar la causa de que el disco se atore.

d. No reinicie la operación de corte en la pieza de trabajo. Deje que el disco alcance la velocidad máxima y reingrese cuidadosamente en el corte. Es posible que el disco se atore, se desvíe o experimente retroceso si la herramienta eléctrica es rearrancada en la pieza de trabajo.

e. Soporte los paneles o cualquier pieza de trabajo extragrande para minimizar el riesgo de que el disco se pellizque y experimente retroceso. Las piezas de trabajo grandes tienden a arquearse bajo su propio peso. Se deben colocar soportes debajo de la pieza de trabajo cerca de la línea de corte y cerca del borde de la pieza de trabajo a ambos lados del disco.

f. Tenga precaución adicional cuando haga un "corte de bolsillo" en paredes existentes u otras áreas ciegas. Es posible que el disco que sobresale corte tuberías de gas o agua, cables eléctricos u objetos que pueden causar retroceso.

g. No intente realizar cortes curvos. Si el disco se somete a una tensión excesiva, se aumentan la carga de trabajo y la susceptibilidad del disco a torcerse o atorarse en el corte, así como la posibilidad de retroceso o rotura del disco, lo cual puede causar lesiones graves.

h. No utilice ruedas abrasivas de tipo 1/41 diseñadas para amolado recto.

i. No intente cortar material grande ni láminas de metal, ya que esta máquina no está diseñada para ser una máquina de corte abrasivo dedicada.

5. Advertencias de seguridad específicas para las operaciones de lijado:

a. Utilice papel de disco de lijar de tamaño adecuado. Siga las recomendaciones del fabricante cuando seleccione el papel de lija. Un papel de lija más grande que sobresalga demasiado de la almohadilla de lijar presenta un peligro de laceraciones y es posible que cause enganche, desgarramiento del disco o retroceso.

6. Advertencias de seguridad específicas para las operaciones de pulido:

a. No deje que ninguna parte floja del bonete de pulir o sus cordeles de sujeción giren libremente. Meta por completo o recorte todo cordel de sujeción que esté flojo. Los cordeles de sujeción flojos y que giran pueden enredarse en los dedos del usuario o engancharse en la pieza de trabajo.

7. Advertencias de seguridad específicas para las operaciones de cepillado con cepillo de alambre:

a. Tenga presente que las cerdas de alambre son lanzadas por el cepillo incluso durante la utilización ordinaria. No someta los alambres a un esfuerzo excesivo aplicando una carga de trabajo excesiva al cepillo. Las cerdas de alambre pueden penetrar fácilmente en la ropa ligera y/o la piel.

b. Si se recomienda usar un protector para realizar operaciones con cepillo de alambre, no permita ninguna interferencia del disco de alambre o el cepillo de alambre con el protector. Es posible que el disco de alambre o el cepillo de alambre se expanda en diámetro debido a la carga de trabajo y las fuerzas centrífugas.

Advertencias de seguridad adicionales

⚠ ADVERTENCIA Utilice ya sea UN PROTECTOR DE LA RUEDA para tronzado abrasivo de Tipo A (Tipo 1A/41) o de Tipo C (de combinación) cuando se utilicen ruedas de propósito dual (de amolado y tronzado abrasivo combinados) montadas con pestañas.

Utilice un PROTECTOR DE LA RUEDA para amolar de Tipo B (Tipo 27) para realizar amolado facial. Cuando utilice un PROTECTOR DE LA RUEDA para tronzado abrasivo de Tipo A (Tipo 1A/41) para realizar amolado facial, es posible que el PROTECTOR DE LA RUEDA interfiera con la pieza de trabajo y con ello cause un control deficiente;

Utilice un PROTECTOR DE LA RUEDA para tronzado abrasivo de Tipo A (Tipo 1A/41) o de Tipo C (de combinación) para operaciones de tronzado abrasivo. Cuando se utilice un PROTECTOR DE LA RUEDA para amolar de Tipo B (Tipo 27) para operaciones de tronzado abrasivo con ruedas abrasivas adheridas, hay un mayor riesgo de exposición a las chispas y las partículas emitidas, así como de exposición a fragmentos de la rueda en caso de que ésta reviente;

Utilice un PROTECTOR DE LA RUEDA de Tipo E (de diamante para amolar superficies) o un PROTECTOR DE LA RUEDA de Tipo F (para tronzado abrasivo de mampostería) para operaciones de tronzado abrasivo y amolado facial en concreto o mampostería. Cuando se utilice un PROTECTOR DE LA RUEDA para tronzado abrasivo de Tipo A (Tipo 1A/41), para amolar de Tipo B (Tipo 27) o de Tipo C (combinación) para operaciones de tronzado abrasivo y amolado facial en concreto o mampostería, hay un mayor riesgo de exposición a polvo y pérdida de control que tendrá como resultado retroceso;

Utilice cepillos de alambre tipo rueda que tengan un grosor y un diámetro que no sean mayores que el grosor y el diámetro que se especifiquen en este manual. Cuando se utilice un PROTECTOR DE LA RUEDA para tronzado abrasivo de Tipo A (Tipo 1A/41), para amolar de Tipo B (Tipo 27) o de Tipo C (de combinación) con un cepillo de alambre tipo rueda con un grosor superior al grosor máximo que se especifique, es posible que los alambres se enganchen en el protector y el resultado sea rotura de los mismos.

No utilice herramientas especificadas solo para CA con una fuente de alimentación de CC. Aunque pueda parecer que la herramienta funciona, es probable que los componentes eléctricos de la herramienta especificada para CA fallen y creen un peligro para el operador.

Mantenga los mangos secos, limpios y libres de aceite y grasa. Las manos resbalosas no pueden controlar de modo seguro la herramienta mecánica.

Use abrazaderas u otro modo práctico de sujetar y soportar la pieza de trabajo en una plataforma estable. Si se sujeta la pieza de trabajo con la mano o contra el cuerpo, se crea una situación inestable que podría causar pérdida de control.

Desarrolle un programa de mantenimiento periódico de la herramienta. Cuando limpie una herramienta, tenga cuidado de no desmontar ninguna de sus partes, ya que los cables internos podrían reubicarse incorrectamente o pellizcarse, o los resortes de retorno de los protectores de seguridad podrían montarse incorrectamente. Ciertos agentes de limpieza, tales como gasolina, tetracloruro de carbono, amoníaco, etc., podrían dañar las piezas de plástico.

No utilice sistemas de aspiración u otro sistema de recolección de polvo al cortar metal. Las chispas generadas al cortar metal pueden causar un incendio en el colector.

⚠ ADVERTENCIA Cierta polvo generado por las operaciones de lijado, aserrado, amolado y taladrado con herramientas eléctricas, así como por otras actividades de construcción, contiene sustancias químicas que se sabe que causan cáncer, defectos de nacimiento u otros daños sobre la reproducción. Algunos ejemplos de estas sustancias químicas son:

- Plomo procedente de pinturas a base de plomo,
- Sílice cristalina procedente de ladrillos y cemento y otros productos de mampostería, y
- Arsénico y cromo procedentes de madera de construcción tratada químicamente.

El riesgo para usted por causa de estas exposiciones varía, dependiendo de qué tan a menudo realice este tipo de trabajo. Para reducir su exposición a estas sustancias químicas: trabaje en un área bien ventilada y trabaje con equipo de seguridad aprobado, tal como máscaras antipolvo que estén diseñadas especialmente para impedir mediante filtración el paso de partículas microscópicas.

⚠ ADVERTENCIA Utilice esta amoladora solo tal como está previsto. Es posible que un uso no previsto tenga como resultado lesiones corporales y daños materiales.

⚠ ADVERTENCIA No utilice ruedas abrasivas (acopadas) de tipo 11 con esta herramienta. Esta herramienta no está diseñada para utilizarse con ruedas de amolar abrasivas (acopadas) de tipo 11.

⚠ ADVERTENCIA La acción del freno de esta amoladora no está diseñada como dispositivo de seguridad. El uso del protector adecuado cuando se utilice la amoladora es la mejor protección de la que usted dispone contra el contacto accidental con un accesorio que esté girando. Un contacto accidental con un accesorio que esté rotando puede causar daños materiales y/o lesiones corporales.

Advertencias de seguridad adicionales

⚠ ADVERTENCIA Desconecte el enchufe de la fuente de alimentación antes de hacer cualquier ajuste, cambiar accesorios o almacenar herramientas eléctricas. Dichas medidas preventivas de seguridad reducen el riesgo de arrancar accidentalmente la herramienta eléctrica.

⚠ ADVERTENCIA Para amoladoras equipadas con frenos, utilice solo pestañas de soporte suministradas específicamente. No utilice pestañas de soporte estándar en amoladoras con frenos. Es posible que la utilización de pestañas de soporte estándar haga que la rueda se afloje durante el frenado y cause lesiones corporales y daños materiales.

⚠ ADVERTENCIA Se debe utilizar un protector de Tipo 27 con todas las ruedas de amolar, todos los discos de aletas de lijar con cuerpo adherido y todos los cepillos y ruedas de alambre. La herramienta se puede utilizar sin protector solo cuando se lije con discos de lijar convencionales.

⚠ ADVERTENCIA Se debe utilizar un protector de Tipo 1A/41A para todas las operaciones de corte.

⚠ ADVERTENCIA Utilice siempre un protector de la rueda de corte de Tipo A (1A/41) para cortar.

⚠ ADVERTENCIA No utilice ruedas abrasivas de Tipo 1 diseñadas amoladoras rectas / de troquel. Esta herramienta no está diseñada para utilizarse con ruedas abrasivas de Tipo 1 para amoladoras rectas / de troquel.

⚠ ADVERTENCIA La velocidad nominal del accesorio debe ser al menos igual a la velocidad máxima marcada en la herramienta eléctrica. Los accesorios que giren más rápidamente que su velocidad nominal pueden romperse y ser lanzados al aire.

⚠ ADVERTENCIA El protector de la muela no se puede utilizar para la mayoría de las operaciones de lijado. Reinstale siempre el protector de la muela cuando realice la conversión a operaciones de amolado.

⚠ ADVERTENCIA No utilice la tuerca de sujeción rápida con la almohadilla de refuerzo para accesorios de lijar.

⚠ ADVERTENCIA Utilice siempre un protector para muela abrasiva Tipo B (27) con muelas de alambre (cepillos). No utilizar el protector de ruedas con ruedas de alambre puede causar lesiones.

⚠ ADVERTENCIA No se puede utilizar un protector de la rueda de amolar de tipo B (27) para todas las operaciones de la herramienta. No deseche el protector cuando no lo esté usando. Reinstale siempre el protector de la rueda cuando realice la conversión de vuelta para operaciones de amolado.

⚠ ADVERTENCIA El aditamento de extracción de polvo no es un protector. No lo utilice con ruedas abrasivas adheridas. Es posible que el aditamento de extracción de polvo no proteja al operador en el caso de que la rueda reviente.

⚠ ADVERTENCIA Utilice siempre un protector de la rueda de corte de Tipo A (1A/41) para cortar. Si se realizan cortes con un protector de la rueda de Tipo B (27), es posible que no se proporcione una protección suficiente al operador en el caso de un reventón de la rueda.

⚠ ADVERTENCIA Cuando esté cortando, no jale nunca la herramienta hacia atrás, ya que la hoja preparará hasta salirse del material y se producirá RETROCESO.

⚠ ADVERTENCIA No utilice la amoladora angular para pulir superficies pintadas o plásticos. Es posible que la utilización de amoladoras angulares para tales tipos de aplicaciones dañe los materiales y las superficies.

⚠ ADVERTENCIA Para evitar accidentes, siempre desconecte el paquete de baterías de la herramienta antes de limpiar o realizar cualquier mantenimiento.

⚠ ADVERTENCIA NO HAY PIEZAS EN EL INTERIOR QUE PUEDAN SER AJUSTADAS O REPARADAS POR EL USUARIO. El mantenimiento preventivo realizado por personal no autorizado puede dar lugar a la colocación incorrecta de cables y componentes internos que podría constituir un peligro serio. Recomendamos que todo el servicio de las herramientas sea realizado en un Centro de servicio de fábrica Bosch o en una Estación de servicio Bosch autorizada.

⚠ ADVERTENCIA Si es necesario un cordón de extensión, se debe usar un cordón con conductores de tamaño adecuado que sea capaz de transportar la corriente necesaria para la herramienta. Esto evitará caídas de tensión excesivas, pérdida de potencia o recalentamiento. Las herramientas conectadas a tierra deben usar cordones de extensión de 3 hilos que tengan enchufes de 3 terminales y receptáculos para 3 terminales.

Advertencias de seguridad adicionales

⚠ ADVERTENCIA No utilice aditamentos/accesorios que no sean los especificados por Bosch. Es posible que el uso de aditamentos/accesorios no especificados para utilizarse con la herramienta descrita en este manual cause daños a la herramienta, daños materiales y/o lesiones corporales.

Uso previsto

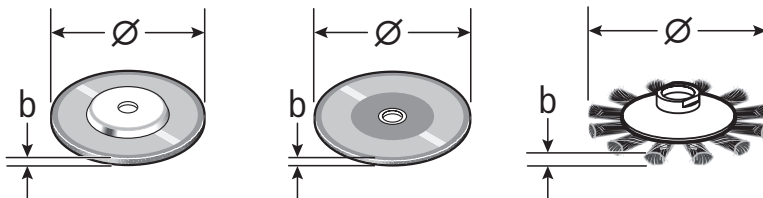
⚠ ADVERTENCIA Utilice esta amoladora solo tal como está previsto. Es posible que un uso no previsto tenga como resultado lesiones corporales y daños materiales.

Las amoladoras de ángulo pequeño GWS14-50P, GWS14-50, GWS14-50B, y GWS14-60 están diseñadas para realizar las aplicaciones profesionales de amolado, corte, lijado, cepillado con cepillo de alambre y pulido descritas en este manual.

Especificaciones

Número de modelo	GWS14-50P	GWS14-50	GWS14-50B	GWS14-60
Ampere	13	13	13	13
Voltios CA	120	120	120	120
Velocidad nominal (RPM) , /min	2800-11500	2800-11500	2800-11500	2400-9700
Tipo de interruptor	paleta	deslizante	deslizante	deslizante
Ø máximo de la rueda de amolar	5" (125mm)	5" (125mm)	5" (125mm)	6" (150mm)
Grosor de la rueda de amolar (b)	1/4" (6 mm)	1/4" (6 mm)	1/4" (6 mm)	1/4" (6 mm)
Ø máximo de la rueda de corte	5" (125mm)	5" (125mm)	5" (125mm)	6" (150mm)
Ø máximo del disco de lijar	5" (125mm)	5" (125mm)	5" (125mm)	6" (150mm)
Ø máximo del disco de aletas	5" (125mm)	5" (125mm)	5" (125mm)	6" (150mm)
Ø máximo de la rueda de alambre	4" (102mm)	4" (102mm)	4" (102mm)	4" (102mm)
Ø máximo del cepillo acopado de alambre	3" (76mm)	3" (76mm)	3" (76mm)	3" (76mm)
Grosor de la rueda de amolar (b)	1/4" (6 mm)	1/4" (6 mm)	1/4" (6 mm)	1/4" (6 mm)
Grosor del disco tronzador de Type 1/41 (b)	.045" (1.2 mm)	.045" (1.2 mm)	.045" (1.2 mm)	.045" (1.2 mm)
Grosor del disco de corte de Type 27/42 (b)	1/8" (3.0 mm)	1/8" (3.0 mm)	1/8" (3.0 mm)	1/8" (3.0 mm)
Anchura máx. de la cara de la rueda de alambre (grosor) (b)	1/2" (12.7 mm)	1/2" (12.7 mm)	1/2" (12.7 mm)	1/2" (12.7 mm)
Holgura periférica máx. del disco de corte de diamante segmentado de Tipo 1/41	10 mm	10 mm	10 mm	10 mm
Ángulo de inclinación del disco de corte de diamante segmentado de Tipo 1/41				
Velocidad variable	•	•	•	•
Embrague electrónico	•	•	•	•
Circuitería de respuesta constante	•	•	•	•
Protección contra re arranques	•	•	•	•
Protección contra sobrecargas	•	•	•	•
Arranque suave	•	•	•	•
Freno	—	—	•	—

• = La herramienta se suministra con esta característica. — = La herramienta no se suministra con esta característica.



Ø = Diámetro de la rueda. b = Grosor de la rueda.

Aplicaciones

Descripción	Número de modelo			
	GWS14-50P	GWS14-50	GWS14-50B	GWS14-60
Amolado de metal (Tipo 27)	X	X	X	X
Amolado de metal (Tipo 11)	N	N	N	N
Corte de metal (Tipo 41/1A)	X	X	X	X
Acabado de superficies de concreto	O	O	O	O
Corte de concreto/mampostería	O	O	O	O
Lijado	O	O	O	O
Cepillado con alambre (rueda)	O	O	O	O
Cepillado con alambre (cepillo acopado)	O	O	O	O

X = La herramienta está provista con aditamentos para realizar esta aplicación.

O = La herramienta puede usar aditamentos opcionales para realizar esta aplicación.






N = La herramienta no es capaz de realizar esta aplicación.

La velocidad nominal del accesorio debe ser igual o mayor que la velocidad nominal de la herramienta. No exceda el diámetro recomendado para la rueda.

⚠ ADVERTENCIA No utilice ruedas abrasivas (acopadas) de tipo 11 con esta herramienta. Esta herramienta no está diseñada para utilizarse con ruedas de amolar abrasivas (acopadas) de tipo 11.

Símbolos

IMPORTANTE: Es posible que algunos de los símbolos siguientes se usen en su herramienta. Por favor, estúdielos y aprenda su significado. La interpretación adecuada de estos símbolos le permitirá utilizar la herramienta mejor y con más seguridad.

Símbolo	Désignación / Explicación
V	Volt (tensión)
lb	Libras (peso)
kg	Kilogramo (peso)
ft	Pies (dimensión)
m	Metros (distancia)
in	Pulgadas (dimensión)
cm	Centímetro (dimensión)
mm	Milímetro (dimensión)
A	Ampere (corriente)
Hz	Hertz (frecuencia, ciclos por segundo)
W	Watt (potencia)
min	Minuto (tiempo)
s	Segundo (tiempo)
∅	Diámetro (tamaño de las brocas taladradoras, muelas, etc)
n_0	Velocidad sin carga (velocidad rotacional sin carga)
n	Velocidad nominal (máxima velocidad obtenible)
.../min	Revoluciones o alternación por minuto (revoluciones, golpes, velocidad de superficie, órbitas, etc., por minuto)
0	Posición "off" (velocidad cero, par motor cero...)
1, 2, 3, ... I, II, III,	Graduaciones del selector (graduaciones de velocidad, par motor o posición. Un número más alto significa mayor velocidad)
0 	Selector infinitamente variable con apagado (la velocidad aumenta desde la graduación de 0)
	Flecha (Acción en la dirección de la flecha)
~	Corriente alterna (tipo o una característica de corriente)
≡	Corriente continua (tipo o una característica de corriente)
	Corriente alterna o continua (tipo o una característica de corriente)
	Construcción de clase II (designa las herramientas de construcción con aislamiento doble)
	Terminal de toma de tierra (terminal de conexión a tierra)

Símbolos

IMPORTANTE: Es posible que algunos de los símbolos siguientes se usen en su herramienta. Por favor, estúdielos y aprenda su significado. La interpretación adecuada de estos símbolos le permitirá utilizar la herramienta mejor y con más seguridad.

Símbolo	Désignación / Explicación
	Alerta al usuario para que lea el manual.
	Alerta al usuario para que use protección de los ojos.
	Alerta al usuario para que use protección respiratoria.
	Alerta al usuario para que use protección de la audición.
	Alerta al usuario para que use protección de los ojos, respiratoria y de la audición.
	Indica control antirretroceso en la herramienta.
	Indica control de caídas en la herramienta.
	Indica sistema de freno en la herramienta.
	Este símbolo indica que Underwriters Laboratories ha catalogado esta herramienta indicando que cumple con las normas estadounidenses y canadienses.
	Este símbolo indica que la Canadian Standards Association ha catalogado esta herramienta indicando que cumple con las normas estadounidenses y canadienses.

Descripciones funcionales

Control de retroceso:

El sistema electrónico de la herramienta eléctrica detecta las situaciones en las que es posible que la rueda o el accesorio corra el riesgo de atorarse. El sistema electrónico impide la rotación adicional del husillo de accionamiento, apagando la herramienta eléctrica (no previene el retroceso). Para reanudar el funcionamiento, ponga al interruptor de encendido y apagado en la posición de apagado y luego re arranque la herramienta.

Circuitería de respuesta constante:

Ayuda a mantener unas RPM casi constantes entre las situaciones sin carga y con carga.

Arranque suave:

Ayuda a reducir el esfuerzo sobre el motor que ocurre como consecuencia de un arranque con alta fuerza de torsión. Ayuda a que el accesorio alcance suavemente la velocidad de funcionamiento.

Protección automática contra re arranques:

Ayuda a prevenir los arranques accidentales después de que se haya interrumpido el suministro eléctrico, por ejemplo, si se desenchufó la herramienta con el interruptor bloqueado en la posición de encendido. Para reanudar el funcionamiento, ponga al interruptor de encendido y apagado en la posición

de apagado y luego re arranque la herramienta. Consulte el cuadro que se encuentra debajo de la Fig. 1 y de la Fig. 2 para averiguar qué amoladoras están equipadas con la "Protección automática contra re arranques".

Protección contra sobrecargas:

Ayuda a proteger la herramienta contra el calor excesivo que podría dañar el motor. Si la herramienta se detiene o pierde velocidad durante la operación, deje que el motor se enfríe durante 30 segundos, haciendo funcionar la herramienta sin carga. Si la protección contra sobrecargas detiene repetidamente la herramienta, una fuerza excesiva está haciendo que la herramienta se sobrecargue. Pare la fuerza excesiva y reajuste la pieza de trabajo para reducir la fuerza aplicada.

Control de caídas:

Esta amoladora está equipada con sensores que detectan los impactos a la misma. La amoladora se apagará si se cae sobre la mayoría de las superficies duras desde una altura superior a un pie o si es golpeada con una fuerza equivalente aproximadamente a una caída de más de un pie. Después de cualquier impacto o activación de la función de apagado, inspeccione siempre la amoladora y la batería para determinar si presenta señales de daños, y no utilice la amoladora ni la batería si se sospecha cualquier daño.

Operación de freno

⚠ ADVERTENCIA La acción del freno de esta amoladora no está diseñada como dispositivo de seguridad. El uso del protector adecuado cuando se utilice la amoladora es la mejor protección de la que usted dispone contra el contacto accidental con un accesorio que esté girando. Un contacto accidental con un accesorio que esté rotando puede causar daños materiales y/o lesiones corporales.

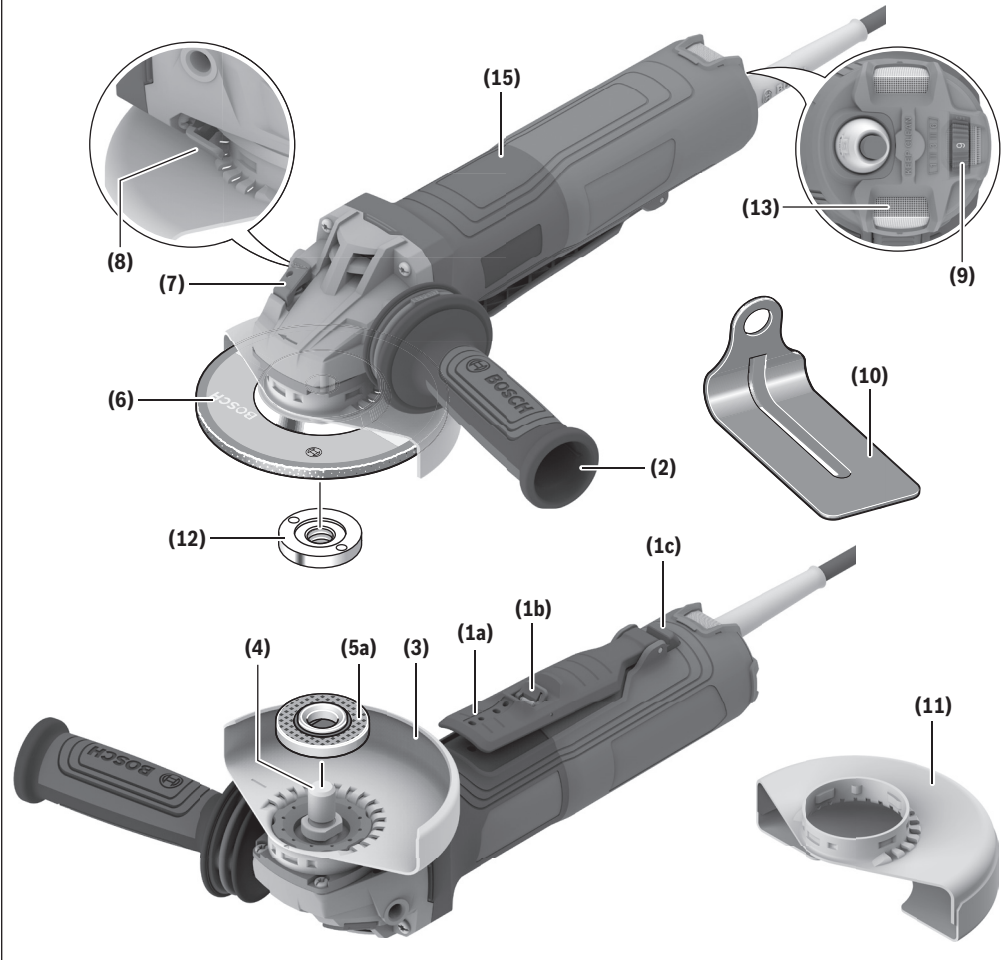
La amoladora está equipada con un freno eléctrico automático que está diseñado para evitar que el accesorio gire rápidamente después de soltar el gatillo.

El frenado comienza una vez que se apague la herramienta. El tiempo de parada variará, dependiendo de factores tales como el tipo y tamaño del accesorio utilizado y la frecuencia de los accionamientos del interruptor. Los factores como la contaminación o una falla de los componentes del motor pueden hacer que el freno no se active. Si la herramienta funciona, pero el freno no se activa para ayudar a detener el accesorio, NO continúe utilizando la amoladora y haga que reciba servicio de ajustes y reparaciones por un Centro de Servicio de Fábrica Bosch o un centro de servicio autorizado Bosch.

Conociendo su producto

Fig. 1

Amoladora angular alámbrica GWS14-50P con interruptor de paleta

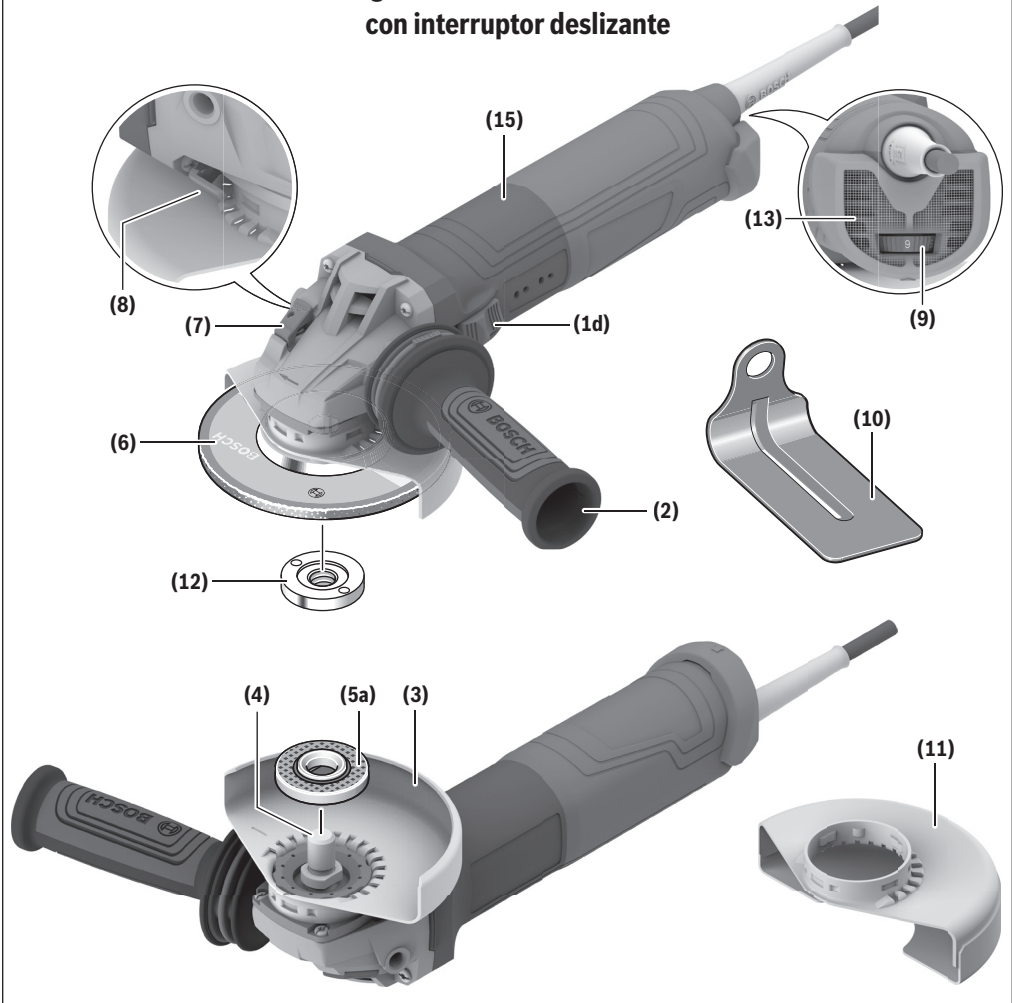


- | | |
|---|---|
| 1a Interruptor de paleta | 6 Rueda de amolar |
| 1b Palanca de liberación del interruptor de fijación en apagado | 7 Cierre del husillo |
| 1c Botón de fijación en encendido | 8 Palanca de liberación/ajuste del protector |
| 2 Mango lateral de control de la vibración (superficie de agarre con aislamiento) | 9 Dial de velocidad variable (detrás del elemento 13) |
| 3 Protector de la rueda de amolar de Tipo B (27) | 10 Escudo para la mano (vendido por separado) |
| 4 Husillo | 11 Protector de la rueda de corte de Tipo A (1A/41) |
| 5a Pestaña de soporte (GWS14-50P, GWS14-50, GWS14-60) | 12 Tuerca de fijación |
| | 13 Filtro de malla metálica |
| | 15 Superficie de agarre con aislamiento |

Conociendo su producto

Fig. 2

Amoladora angular alámbrica GWS14-50, GWS14-60 con interruptor deslizable

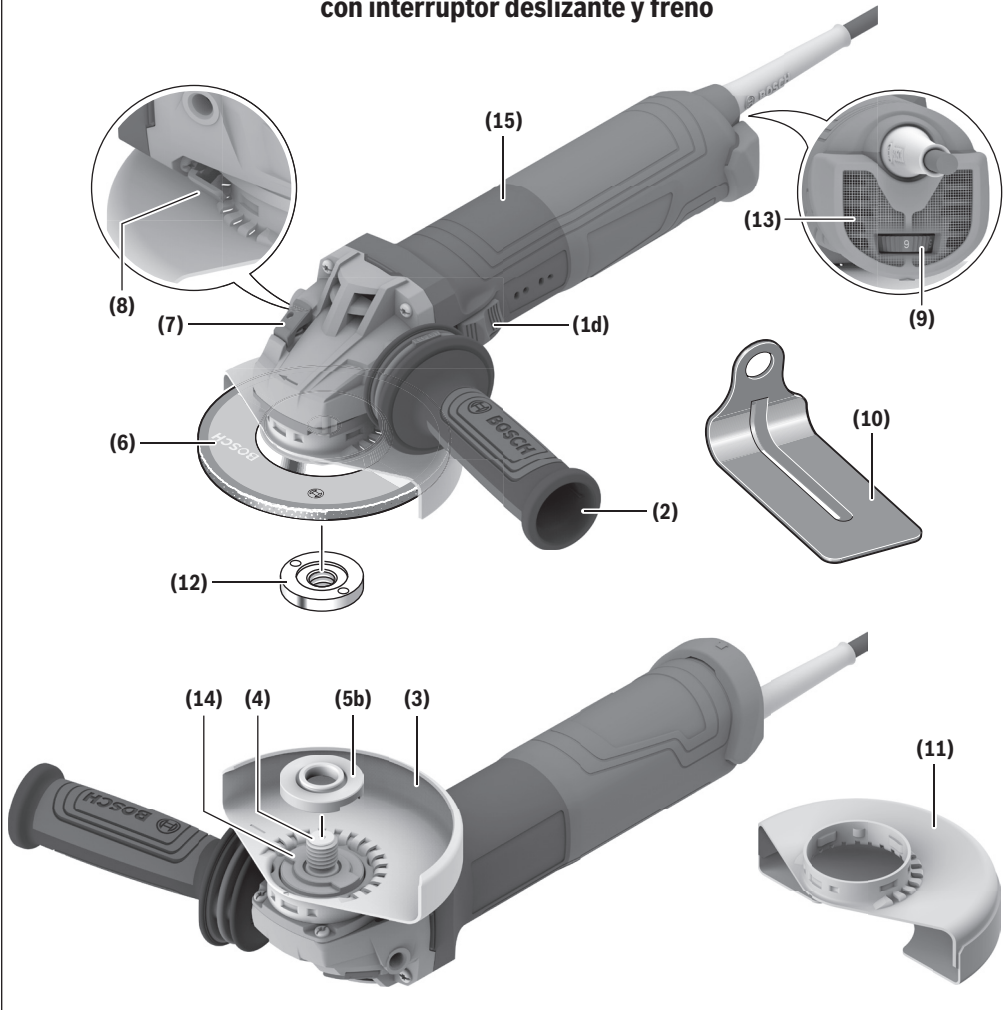


- | | |
|---|---|
| 1d Interruptor deslizable | 8 Palanca de liberación/ajuste del protector |
| 2 Mango lateral de control de la vibración (superficie de agarre con aislamiento) | 9 Dial de velocidad variable (detrás del elemento 13) |
| 3 Protector de la rueda de amolar de Tipo B (27) | 10 Escudo para la mano (vendido por separado) |
| 4 Husillo | 11 Protector de la rueda de corte de Tipo A (1A/41) |
| 5a Pestaña de soporte (GWS14-50P, GWS14-50, GWS14-60) | 12 Tuerca de fijación |
| 6 Rueda de amolar | 13 Filtro de malla metálica |
| 7 Cierre del husillo | 15 Superficie de agarre con aislamiento |

Conociendo su producto

Fig. 3

Amoladora angular alámbrica GWS14-50B con interruptor deslizante y freno



1d Interruptor deslizante

2 Mango lateral de control de la vibración
(superficie de agarre con aislamiento)

3 Protector de la rueda de amolar de Tipo B (27)

4 Husillo

5b Pestaña de soporte (GWS14-50B)

6 Rueda de amolar

7 Cierre del husillo

8 Palanca de liberación/ajuste del protector

9 Dial de velocidad variable (detrás del elemento 13)

10 Escudo para la mano (vendido por separado)

11 Protector de la rueda de corte de Tipo A (1A/41)

12 Tuerca de fijación

13 Filtro de malla metálica

14 Subplaca para la pestaña de soporte

15 Superficie de agarre con aislamiento

Ensamblaje

⚠ ADVERTENCIA Desconecte el enchufe de la fuente de alimentación antes de hacer cualquier ajuste, cambiar accesorios o almacenar herramientas eléctricas. Dichas medidas preventivas de seguridad reducen el riesgo de arrancar accidentalmente la herramienta eléctrica.

Mango lateral de control de la vibración

(Fig. 1, Fig. 2, Fig. 3)

El mango lateral de control de vibración **2** se utiliza para controlar y equilibrar la herramienta.

Enrosque firmemente el mango lateral de control de la vibración **2** en cualquiera de los dos lados de la caja de engranajes, dependiendo de su preferencia personal, su comodidad y la operación que se esté realizando.

El mango lateral de control de la vibración **2** deberá estar instalado siempre en el lado de la herramienta protegido por el protector, vea la figura 6. Utilice el mango lateral de control de la vibración **2** para lograr un control seguro y facilidad de utilización.

Protector de la mano (accesorio opcional)

(Fig. 1, Fig. 2, Fig. 3)

El protector de la mano **10** se debe utilizar con las zapatas de soporte, los discos de lijar y los cepillos de alambre para mantener los dedos y la mano alejados de la superficie de trabajo, los bordes afilados, las rebabas y los residuos.

Cuando utilice el accesorio protector de la mano **10**, inserte el mango lateral **2** a través del agujero ubicado en el protector **10** y luego enrósquelo en la carcasa. Asegúrese de que el protector de la mano **10** esté posicionado entre la mano y la zapata de soporte, el disco de lijar o el cepillo de alambre.

Tuerca de fijación y pestaña de soporte

(Fig. 2)

Esta herramienta está equipada con un husillo roscado **4** para montar accesorios con agujero de instalación no roscado. Utilice siempre la pestaña de soporte **5a** suministrada con una tuerca de fijación **12**. La pestaña de soporte **5a** está encajetada al husillo **4**. Asegúrese siempre de que el diámetro del eje portaherramienta coincida con el diámetro del accesorio.

Tuerca de fijación y pestaña de soporte (GWS14-50B)

⚠ ADVERTENCIA Para amoladoras equipadas con frenos, utilice solo pestañas de soporte suministradas específicamente. No utilice pestañas de soporte estándar en amoladoras con frenos. Es posible que la utilización de pestañas de soporte estándar haga que la rueda se afloje durante el frenado y cause lesiones corporales y daños materiales.

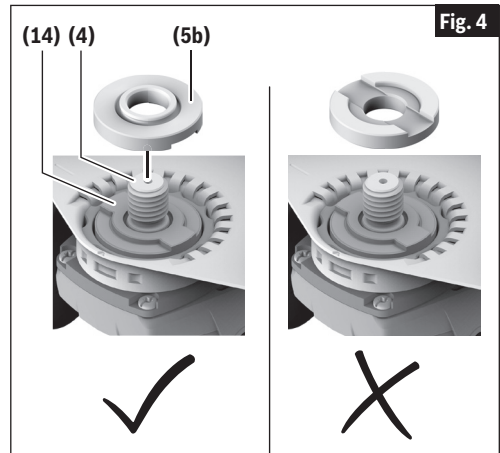
(Fig. 3, Fig. 4)

Los modelos de amoladora que tengan un husillo roscado **4** y estén equipadas con un freno utilizan una pestaña de soporte **6a** diseñada especialmente y una subplaca para la pestaña de soporte **14** no retirable junto con una tuerca de fijación para montar la rueda.

Antes de montar el accesorio en la amoladora, coloque la pestaña de soporte ranurada **5b** sobre la subplaca para la pestaña de soporte **14**, asegurándose de que el saliente rectangular en relieve ubicado en la subplaca para la pestaña de soporte **14** esté acoplada en la ranura ubicada en la parte inferior de la pestaña de soporte **5b**.

El accesorio no roscado se deberá colocar sobre el husillo **4** y se deberá asentar completamente en la parte superior de la pestaña de soporte **5b**.

Las amoladoras con y sin freno, que tengan un husillo roscado **4**, utilizan la misma tuerca de fijación **12** para retener el accesorio.



Ensamblaje

Instalación del protector de la rueda (protectores de la rueda de Tipo 27 y Tipo 1A/41)

(Fig. 5, Fig. 6)

⚠ ADVERTENCIA Se debe utilizar un protector de Tipo 27 con todas las ruedas de amolar, todos los discos de aletas de lijar con cuerpo adherido y todos los cepillos y ruedas de alambre. La herramienta se puede utilizar sin protector solo cuando se lije con discos de lijar convencionales.

⚠ ADVERTENCIA Se debe utilizar un protector de Tipo 1A/41 para todas las operaciones de corte.

Instalación del protector de la rueda

1. Desenchufe la herramienta de la fuente de alimentación.
2. Presione y mantenga presionada la palanca de liberación/ajuste del protector **8** (Fig. 5) y coloque el protector sobre la pestaña de montaje del protector hasta que las chavetas del protector se alineen con las muescas ubicadas en el collarín del husillo (Fig. 5A).
3. Presione el protector sobre la pestaña de montaje del protector hasta que el hombro del protector esté asentado contra la pestaña de la herramienta y rote el protector de la rueda en el sentido de las agujas del reloj hasta que se acople con un clic en la posición correcta.
4. Ajuste la posición del protector a los requisitos del proceso de trabajo. Presione la palanca de liberación/ajuste del protector **8**, gire el protector hasta que se acople con un clic en la posición correcta y luego ajústelo según sea necesario.

— Posicione siempre el protector de la rueda entre el operador y las piezas de trabajo, y dirija las chispas alejándolas del operador (Fig. 6).

— Asegúrese de que el protector de la rueda esté completamente acoplado con la palanca de liberación/ajuste del protector **8**. El protector de la rueda deberá rotar solo cuando la palanca de liberación/ajuste del protector **8** esté presionada. Si el protector de la rueda rota sin presionar la palanca de liberación/ajuste del protector **8**, entonces deje de utilizar la amoladora y haga que reciba servicio de ajustes y reparaciones en un Centro de Servicio Autorizado Bosch.

Nota: Las chavetas de codificación ubicadas en el protector aseguran que solamente se pueda montar un protector que sea compatible con el tipo de herramienta.

Para retirar el protector

1. Presione la palanca de liberación/ajuste del protector **8**.

Fig. 5

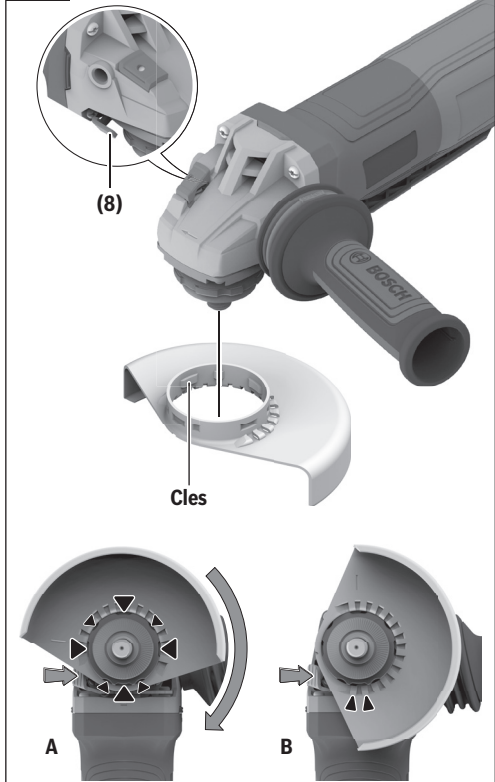
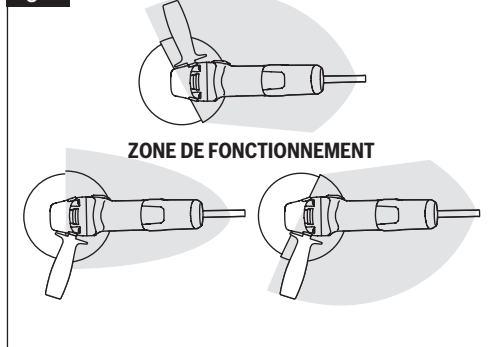


Fig. 6



2. Rote el protector hasta que las chavetas ubicadas en el mismo se alineen con las muescas que se encuentran en la pestaña de montaje del protector.
3. Levante el protector hasta separarlo de la pestaña de montaje del protector.

Ensamblaje

Ensamblaje de la rueda de amolar

(Fig. 7, Fig. 8)

⚠ ADVERTENCIA No utilice accesorios que giren excéntricamente. La herramienta vibrará excesivamente y es posible que cause pérdida de control y que el accesorio reviente.

Para instalar el rueda de amolar

1. Desenchufe la herramienta de la fuente de alimentación.
2. Asegúrese de que el protector de la rueda de amolar de Tipo B (27) **3** esté instalado en la posición correcta para amolar.
3. Para la **GWS14-50P, GWS14-50, GWS14-60**

Coloque la pestaña de soporte **5a** y la rueda de amolar de Tipo 27 **6** en el husillo **4**. Asegúrese de que la pestaña de soporte **5a** quede fija en la base del husillo **4**.

Para la **GWS14-50B**

Coloque la pestaña de soporte **5b** y la rueda de amolar de Tipo 27 **6** en el husillo **4**. Asegúrese de que la pestaña de soporte **5b** quede fija en la base del husillo **4**.

4. Enrosque la tuerca de fijación **12** y apriete dicha tuerca de fijación **12** utilizando la llave para tuercas de fijación, mientras sujeta el cierre del husillo **7**.

PARA DESMONTAR: Invierta el procedimiento.

Quando utilice ruedas de instalación por giro

Siga los pasos 1 y 2, y luego enrosque la rueda directamente en el husillo sin utilizar las pestañas suministradas. Asegúrese siempre de que la rueda de amolar automontable esté apretada correctamente con una llave de boca abierta (no suministrada).

PARA DESMONTAR: Invierta el procedimiento.

Todas las piezas de una rueda de instalación por giro deben estar dentro del reborde del protector para amolar (Fig. 8). Si la rueda de instalación por giro sobresale del reborde del protector, no utilice esa rueda, ya que no es compatible con esta amoladora.

Fig. 7

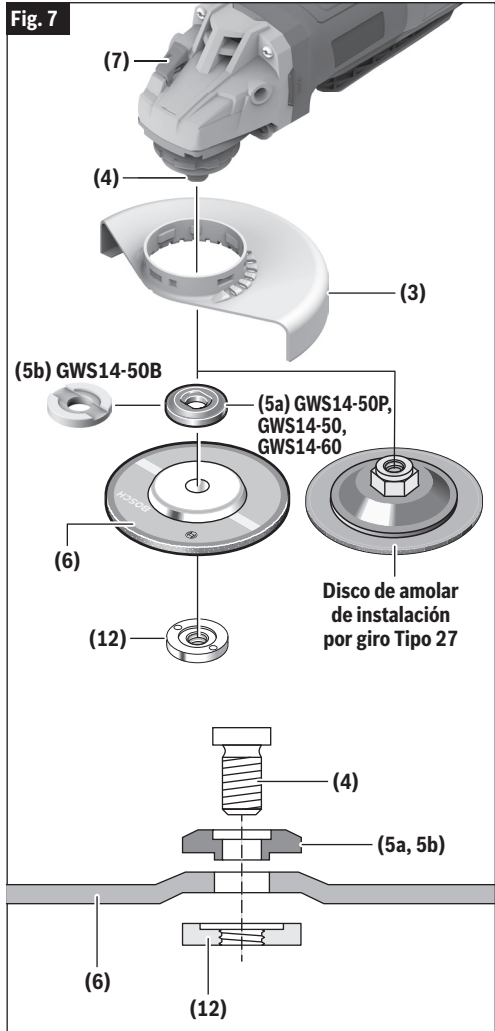
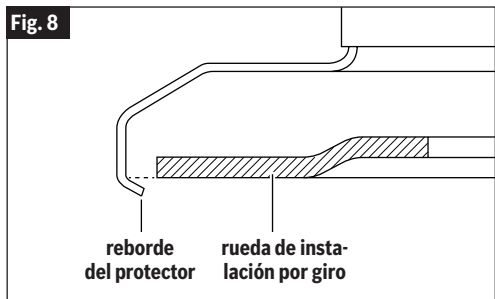


Fig. 8



Ensamblaje

Ensamblaje de la rueda abrasiva de tipo 1A/41 y 27A/42

(Fig. 9)

⚠ ADVERTENCIA Utilice siempre un protector de la rueda de corte de Tipo A (1A/41) para cortar.

Utilizando el protector de la rueda de corte de Tipo A (1A/41) **11**, es posible realizar cortes limitados en material pequeño, tal como tubos, tuberías o barra de refuerzo de metal.

1. Desenchufe la herramienta de la fuente de alimentación.
2. Asegúrese de que el protector de la rueda de corte de Tipo A (1A/41) **11** esté instalado en la posición correcta para cortar.
3. Para la **GWS14-50P, GWS14-50, GWS14-60**

Coloque la pestaña de soporte **5a** y la rueda de corte de Tipo 1A/41 o de Tipo 27A/42 en el husillo **4**. Asegúrese de que la pestaña de soporte **5a** quede fija en la base del husillo **4**.

Para la **GWS14-50B**

Coloque la pestaña de soporte **5b** y la rueda de corte de Tipo 1A/41 o de Tipo 27A/42 en el husillo **4**. Asegúrese de que la pestaña de soporte **5b** quede fija en la base del husillo **4**.

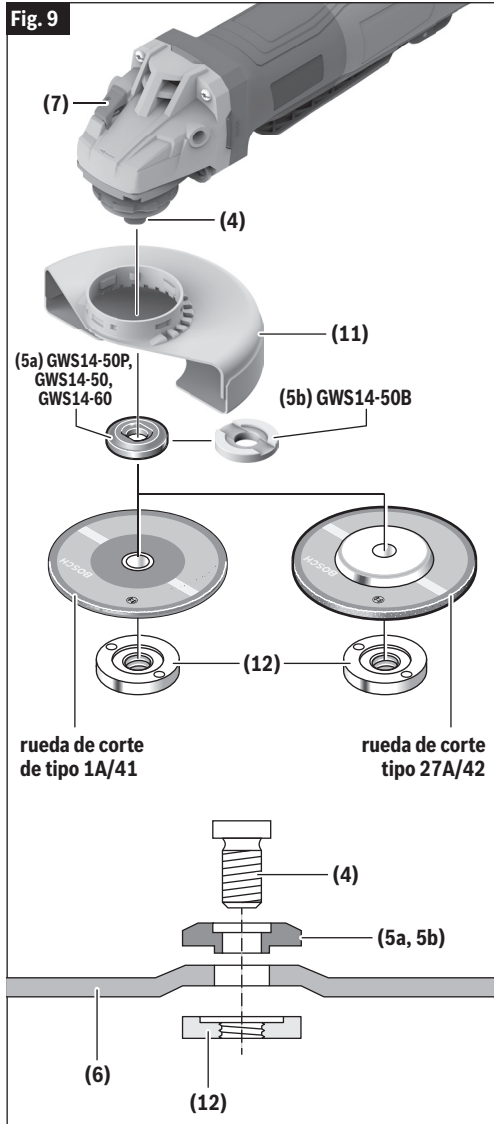
4. Enrosque la tuerca de fijación **12** y apriete dicha tuerca de fijación **12** utilizando la llave para tuercas de fijación, mientras sujeta el cierre del husillo **7**.

PARA DESMONTAR: Invierta el procedimiento.

Ruedas abrasivas de tipo 1 para amoladoras rectas

⚠ ADVERTENCIA No utilice ruedas abrasivas de Tipo 1 diseñadas amoladoras rectas / de troquel. Esta herramienta no está diseñada para utilizarse con ruedas abrasivas de Tipo 1 para amoladoras rectas / de troquel.

Fig. 9



Ensamblaje

Ensamblaje de lijado

⚠ ADVERTENCIA La velocidad nominal del accesorio debe ser al menos igual a la velocidad máxima marcada en la herramienta eléctrica. Los accesorios que giren más rápidamente que su velocidad nominal pueden romperse y ser lanzados al aire.

⚠ ADVERTENCIA El protector de la muela no se puede utilizar para la mayoría de las operaciones de lijado. Reinstale siempre el protector de la muela cuando realice la conversión a operaciones de amolado.

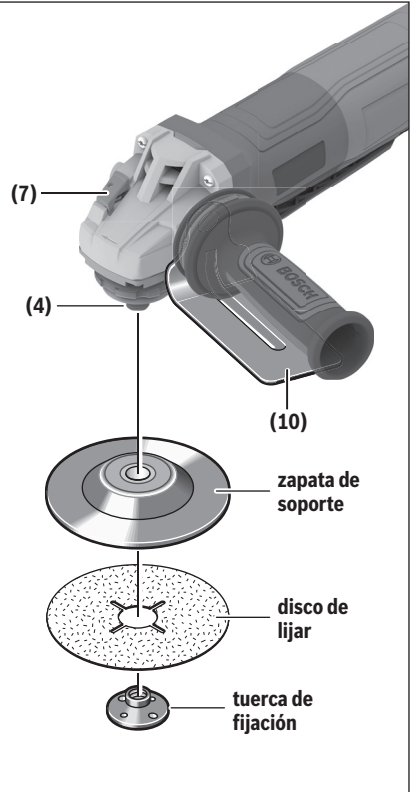
⚠ ADVERTENCIA No utilice la tuerca de sujeción rápida con la almohadilla de refuerzo para accesorios de lijado.

Para instalar la zapata de soporte y el disco de lijar (Fig. 10)

1. Desenchufe la herramienta de la fuente de alimentación.
2. Instale el protector de la mano **10** (se vende por separado).
3. Apoye la herramienta sobre su lado superior (husillo **4** hacia arriba).
4. Coloque la zapata de soporte de caucho sobre el eje del husillo **4**.
5. Centre el disco de lijar sobre la zapata de soporte.
6. Introduzca la tuerca de fijación a través del disco y enrósquela en el husillo **4** hasta donde pueda con los dedos.
7. Presione el cierre del husillo **7** y luego apriete firmemente la zapata de soporte con la llave de tuercas de fijación.

PARA DESMONTAR: Invierta el procedimiento.

Fig. 10



Ensamblaje

Ensamblaje del cepillo de alambre

Para instalar un cepillo acopado de alambre

(Fig. 11)

1. Desenchufe la herramienta de la fuente de alimentación.
2. Instale el protector de la mano **10** (se vende por separado).
3. Los cepillos acopados de alambre están equipados con su propio agujero de instalación roscado. Simplemente enrosque el cepillo acopado de alambre en el husillo **4**. Asegúrese de asentar el cepillo contra el hombro antes de "ENCENDER" la herramienta.

PARA DESMONTAR: Invierta el procedimiento.

Ensamblaje de la rueda con rayos de alambre

⚠ ADVERTENCIA Utilice siempre un protector para muela abrasiva Tipo B (27) con muelas de alambre (cepillos). No utilizar el protector de ruedas con ruedas de alambre puede causar lesiones.

Para instalar una rueda de alambre

(Fig. 12)

1. Desenchufe la herramienta de la fuente de alimentación.
2. Instale el protector de la rueda de amolar de Tipo B (27) **3**.
3. Las ruedas de alambre están equipadas con su propio agujero de instalación roscado. Simplemente enrosque la rueda de alambre en el husillo **4**. Asegúrese de asentar la rueda de alambre contra el hombro antes de "ENCENDER" la herramienta.

PARA DESMONTAR: Invierta el procedimiento.

Fig. 11

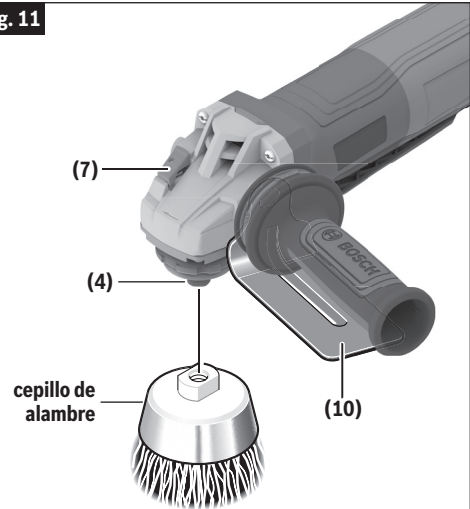
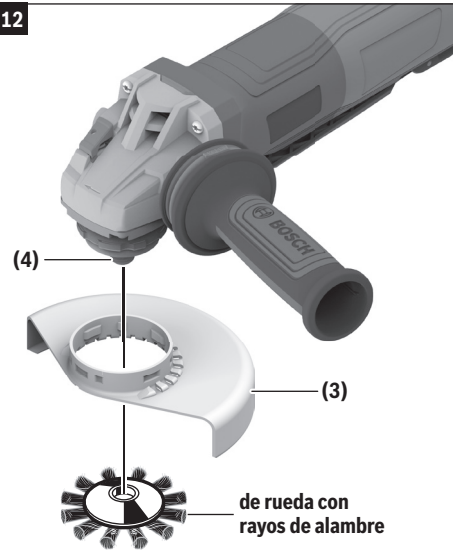


Fig. 12



Ensamblaje

Tipo E (protector de la rueda de diamante para amolar superficies) con aditamento de extracción de polvo de concreto para amolar superficies

⚠ ADVERTENCIA No se puede utilizar un protector de la rueda de amolar de tipo B (27) para todas las operaciones de la herramienta. No deseche el protector cuando no lo esté usando. Reinstale siempre el protector de la rueda cuando realice la conversión de vuelta para operaciones de amolado.

⚠ ADVERTENCIA El aditamento de extracción de polvo no es un protector. No lo utilice con ruedas abrasivas adheridas. Es posible que el aditamento de extracción de polvo no proteja al operador en el caso de que la rueda reviente.

To Install Concrete Dust Extraction Attachment

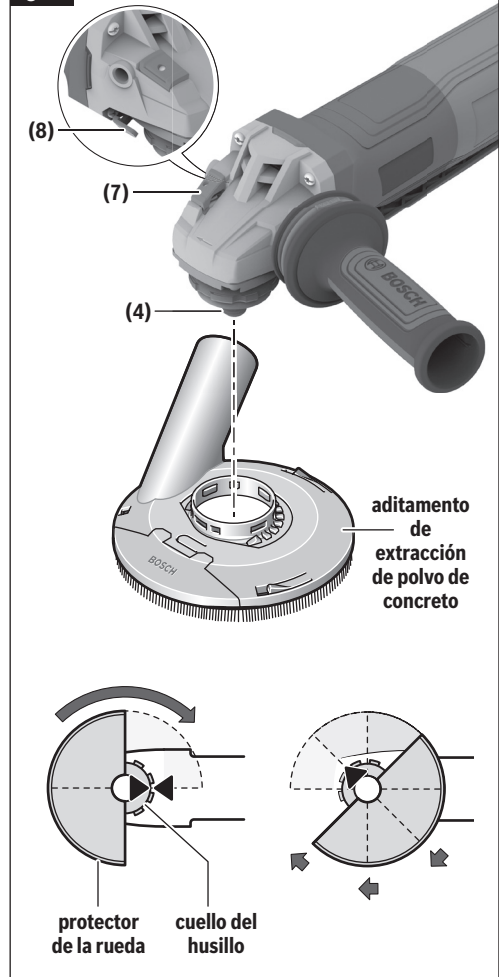
(Fig. 1, Fig. 2, Fig. 3, Fig. 13)

1. Desenchufe la herramienta de la fuente de alimentación.
2. Posicione el aditamento de extracción de polvo de concreto sobre la pestaña de montaje del protector con el puerto de extracción de polvo apuntando de manera que se aleje del cuerpo de la herramienta.
3. Rote el aditamento de extracción de polvo de concreto en el sentido de las agujas del reloj 90° hasta que se acople con un clic en la posición correcta.
4. Ajuste el aditamento de extracción de polvo de concreto presionando la palanca de liberación/ajuste del protector 8 y rote el aditamento de extracción de polvo de concreto hasta la posición deseada.
5. Deje que la palanca de liberación/ajuste del protector 8 se acople con un clic en la posición correcta.
6. Coloque la pestaña de soporte 5 en el husillo 4.
7. Coloque la rueda acopada de diamante en el husillo 4 y alinéela con la pestaña de soporte 5.
8. Enrosque la tuerca de fijación 12 y apriete dicha tuerca de fijación 12 utilizando la llave de tuercas de fijación, mientras sujeta el cierre del husillo 7.

Cuando utilice ruedas de instalación por giro, siga los pasos 1 - 5 y luego enrosque la rueda directamente en el husillo 4 sin utilizar las pestañas suministradas.

PARA DESMONTAR: Invierta el procedimiento.

Fig. 13



Ensamblaje

Ensamblaje del protector para cortar mampostería

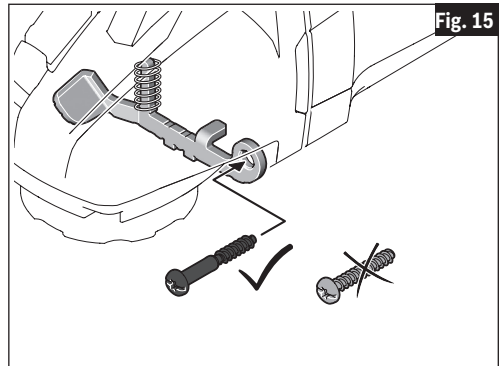
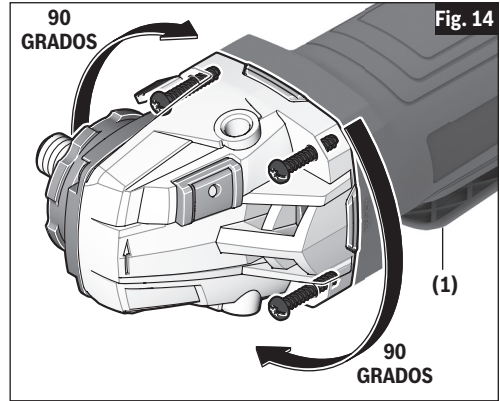
⚠ ADVERTENCIA No se puede utilizar un protector de la rueda de tipo 27 para todas las operaciones de la herramienta. No deseche el protector cuando no lo esté usando. Reinstale siempre el protector de la rueda cuando realice la conversión de vuelta para operaciones de amolado.

Para mejorar la ergonomía de su amoladora cuando corte mampostería, la caja de engranajes se debe rotar respecto a la posición del interruptor con que la herramienta se ensambló en la fábrica.

Rote la caja de engranajes

(Fig. 14, Fig. 15)

1. Desenchufe la herramienta de la fuente de alimentación.
2. Desenrosque completamente los cuatro tornillos ubicados entre la caja de engranajes y el cuerpo del motor.
3. Rote la caja de engranajes 90 grados sin retirar el motor de la carcasa (Fig. 14).
4. Después de ajustar la posición de la caja de engranajes, enrosque y apriete los cuatro tornillos.
5. El tornillo que sujeta la palanca de liberación rápida es más largo que los otros tornillos (Fig. 15); este tornillo largo debe permanecer con la palanca de liberación rápida cuando se reinstale la caja de engranajes, para que el botón de liberación rápida funcione apropiadamente.
6. Para instalar el protector adecuado, siga las instrucciones incluidas en la próxima sección.



Ensamblaje

Instalación del protector para cortar mampostería de Tipo F (1A/41) con placa-base

(Fig. 14, Fig. 15, Fig. 16, Fig. 17)

- Desenchufe la herramienta de la fuente de alimentación.
- Rote la caja de engranajes de la manera que se muestra en la Fig. 14 y la Fig. 15.
- Desenrosque y retire el mango lateral de control de la vibración **2**.
- Deslice el protector para cortar mampostería sobre la pestaña de montaje del protector.
- Rote el protector para cortar mampostería hasta que el soporte de estabilidad y el agujero para el mango lateral estén alineados.
- Enrosque el mango lateral de control de la vibración **2** para fijar el soporte de estabilidad entre la carcasa de la herramienta y el mango lateral de control de la vibración **2**.
- Ajuste el protector para cortar mampostería a la profundidad de corte deseada.

PARA DESMONTAR: Invierta el procedimiento.

Instalación de una rueda de diamante para cortar en seco

Siga todas las instrucciones suministradas con el protector para cortar mampostería de Tipo F (1A/41) con el fin de prepararlo para la instalación de accesorios compatibles y la utilización.

Para instalar una rueda de diamante para cortar en seco

(Fig. 16, Fig. 17)

- Para la **GWS14-50P, GWS14-50, GWS14-60**
Coloque la pestaña de soporte **5a** en el husillo **4**. Asegúrese de que la pestaña de soporte **5a** quede fija en la base del husillo **4**, fig. 16.
Para la **GWS14-50B**
Coloque la pestaña de soporte **5b** en el husillo **4**. Asegúrese de que la pestaña de soporte **5b** quede fija en la base del husillo **4**, fig. 17.
- Coloque la rueda de diamante para cortar en seco en el husillo **4** y alinee el agujero para el eje portaherramienta con el hombro de la pestaña de soporte **5**.
- Enrosque la tuerca de fijación **12** y apriete dicha tuerca de fijación **12** utilizando la llave para tuercas de fijación, mientras sujeta el cierre del husillo **7**.

PARA DESMONTAR: Invierta el procedimiento.

Fig. 16

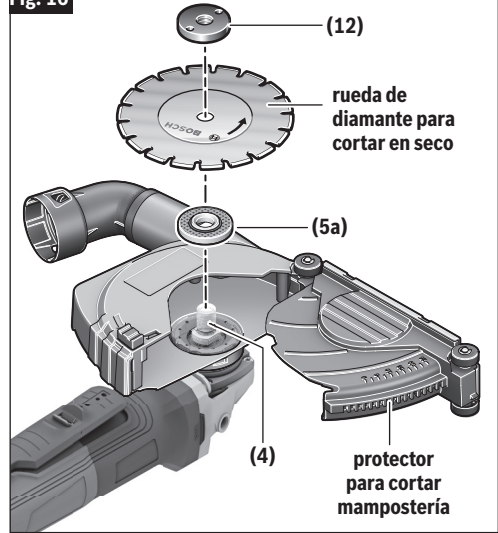
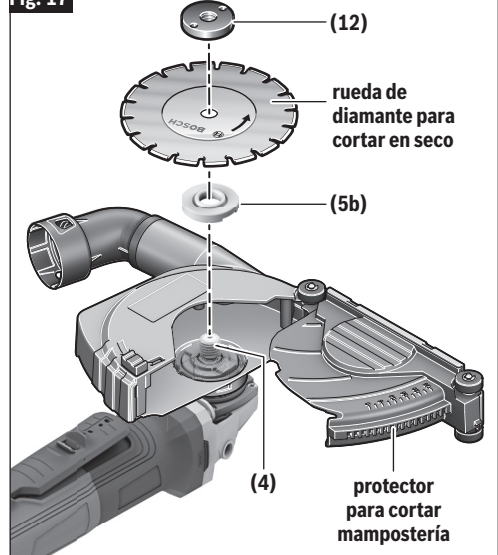
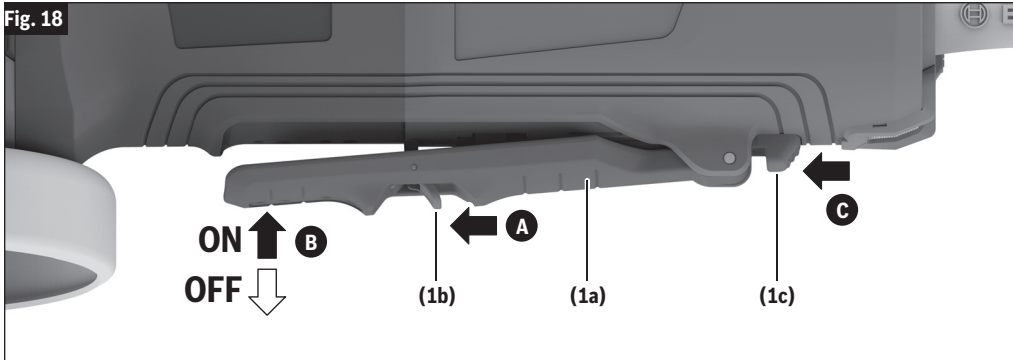


Fig. 17



Instrucciones de funcionamiento



Interruptor de paleta con fijación en ENCENDIDO

(Fig. 18)

Para ENCENDER la herramienta

Empuje la palanca de liberación del interruptor de fijación en apagado **1b** para desbloquear el interruptor de paleta **1a** **A** y luego comprima el interruptor de paleta **1a** **B**.

Para activar la fijación en ENCENDIDO, cuando el interruptor de paleta **1a** esté en la posición de ENCENDIDO, presione el botón de fijación en encendido **1c** **C** mientras suelta simultáneamente el interruptor de paleta **1a**. El interruptor de paleta **1a** deberá permanecer en la posición de fijación en ENCENDIDO y la herramienta continuará funcionando.

Para APAGAR la herramienta

Suelte el interruptor de paleta **1a**. El interruptor está accionado por resorte y regresará automáticamente a la posición de "APAGADO".

Para apagar la herramienta cuando la fijación en ENCENDIDO esté activada, comprima primero y suelte luego el interruptor de paleta **1a**.

Interruptor deslizante con fijación en ENCENDIDO

(Fig. 19)

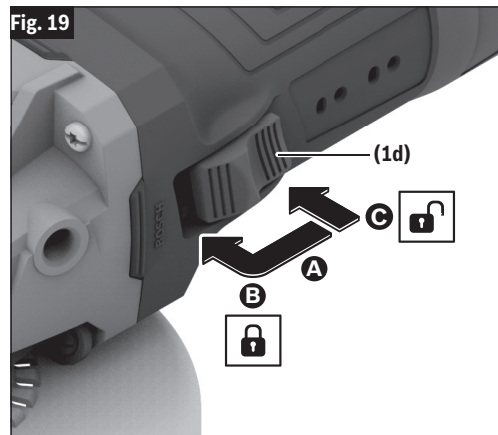
Para ENCENDER la herramienta

Deslice el interruptor deslizante **1d** hacia delante, hacia la caja de engranajes, hasta que se detenga por completo y el motor comience a funcionar **A**.

Para activar la fijación en ENCENDIDO, cuando el interruptor deslizante **1d** esté en la posición de ENCENDIDO, presione la parte delantera del interruptor deslizante **1d** **B** y suéltela. El interruptor deslizante **1d** deberá permanecer en la posición de fijación en ENCENDIDO y la herramienta continuará funcionando.

Para APAGAR la herramienta

Presione la porción trasera del interruptor deslizante **1d** **C**. El interruptor deslizante **1d** está accionado por resorte y regresará automáticamente a la posición de APAGADO.



Instrucciones de funcionamiento

Preselección de velocidad

⚠ ADVERTENCIA La velocidad nominal del accesorio debe ser al menos igual a la velocidad máxima marcada en la herramienta eléctrica. Los accesorios que giren más rápidamente que su velocidad nominal pueden romperse y ser lanzados al aire.

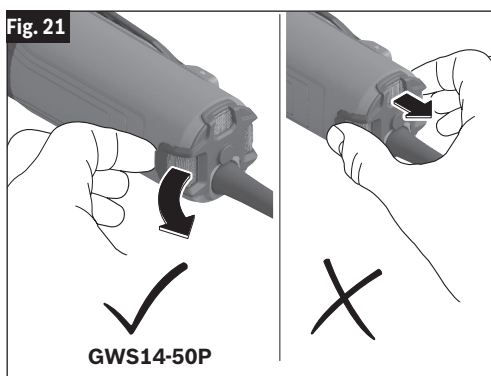
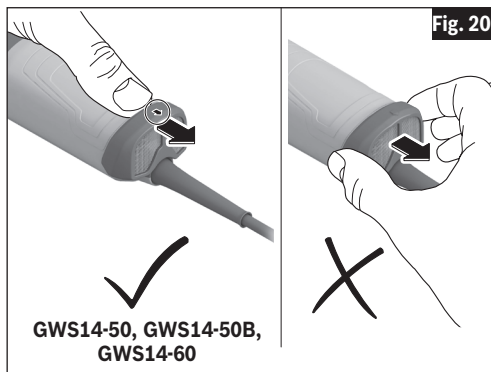
Uso del dial de velocidad variable

(Fig. 1, Fig. 2, Fig. 3, Fig. 20, Fig. 21)

El dial de velocidad variable **9** está ubicado en la parte trasera de la amoladora, junto al cable de alimentación. Para minimizar la entrada de partículas de polvo y residuos en la amoladora, un filtro de malla metálica **13** cubre el dial de velocidad variable **9** y las aberturas de ventilación de entrada.

Para acceder al dial de velocidad variable **9**, se debe retirar el filtro metálico **13**. Empuje firmemente sobre el borde superior del reborde de plástico del filtro de malla metálica **13** hacia la parte trasera de la amoladora. Para retirar completamente el filtro de malla metálica **13**, es posible que también sea necesario empujar y levantar ligeramente uno de los lados del filtro. No deseche la cubierta del filtro de malla metálica **13**.

Utilice el dial de velocidad variable **9** para seleccionar la velocidad adecuada para la aplicación. Utilice la tabla selectora de velocidades como referencia. Después de hacer ajustes de velocidad, reinstale la cubierta del filtro de malla metálica **13** en la amoladora alineando el contorno del filtro con el extremo trasero de la carcasa de la amoladora.



Nivel de preselección de velocidad	GWS14-50P, GWS14-50, GWS14-50B [min ⁻¹]	GWS14-60 [min ⁻¹]
1	2800	2400
2	4500	4100
3	6300	5400
4	8200	6700
5	9800	8000
6	11,500	9700

Los valores especificados para los niveles de velocidad son valores de guía.

Instrucciones de funcionamiento

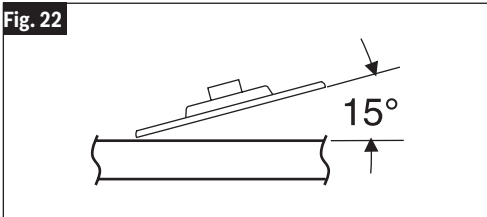
Amolado de metales

⚠ ADVERTENCIA La velocidad nominal del accesorio debe ser al menos igual a la velocidad máxima marcada en la herramienta eléctrica. Los accesorios que giren más rápidamente que su velocidad nominal pueden romperse y ser lanzados al aire.

Las ruedas de amolar se deben seleccionar cuidadosamente para utilizar la amoladora con una eficiencia máxima. Las muelas varían en cuanto a tipo de abrasivo, adhesivo, dureza, tamaño del grano y estructura. El tipo correcto de rueda de amolar que se debe utilizar es determinado por el trabajo. Utilice ruedas de amolar de disco para realizar amolado rápido de acero estructural, cordones de soldadura pesada y piezas fundidas de acero, así como acero inoxidable y otros metales ferrosos.

1. Deje que la herramienta alcance la máxima velocidad antes de tocar la superficie de trabajo con ella.
2. Aplique una presión mínima a la superficie de trabajo, dejando que la herramienta funcione a alta velocidad. La tasa de amolado es máxima cuando la herramienta funciona a alta velocidad.
3. Mantenga un ángulo de 10° a 15° entre la herramienta y la superficie de trabajo (Fig. 22).

Fig. 22



4. Mueva continuamente la herramienta a una velocidad moderada para evitar crear surcos en la superficie de trabajo.
5. Retire la herramienta de la superficie de trabajo antes de apagarla. Deje que la herramienta pare de rotar antes de dejarla en algún sitio.

Consejo: Al amolar con una muela nueva, asegúrese de amolar mientras que tira de la herramienta hacia atrás hasta que el borde de la muela quede redondeado. Las muelas nuevas tienen esquinas afiladas que tienden a “morder” o cortar la pieza de trabajo al empujar hacia adelante.

Corte de metal

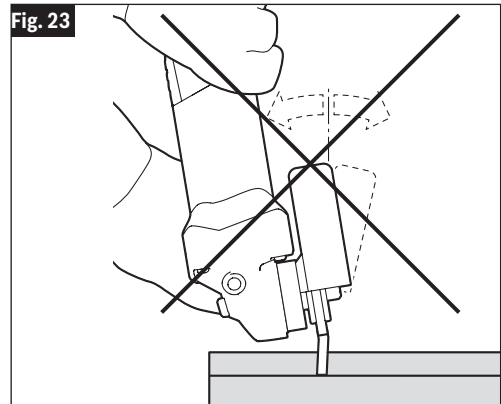
⚠ ADVERTENCIA Utilice siempre un protector de la rueda de corte de Tipo A (1A/41) para cortar. Si se realizan cortes con un protector de la rueda de Tipo B (27), es posible que no se proporcione una protección suficiente al operador en el caso de un reventón de la rueda.

Con esta amoladora es posible realizar corte de material pequeño limitado, como por ejemplo tubos, tuberías o barras de refuerzo de metal. Cuando corte, trabaje con una velocidad de avance moderada, adaptada al material que se esté cortando. Cuando corte perfiles y barra cuadrada, lo mejor es comenzar en la sección transversal más pequeña.

Siga siempre las precauciones para evitar el retroceso.

1. Deje que la herramienta alcance la máxima velocidad antes de tocar la superficie de trabajo con ella.
2. La herramienta se deberá usar siempre de manera que las chispas se dirijan alejándose del usuario.
3. Aplique una presión mínima a la superficie de trabajo, dejando que la herramienta funcione a alta velocidad. La tasa de corte es máxima cuando la herramienta funciona a alta velocidad.
4. No ejerza presión lateral sobre el disco de corte. No incline ni oscile la herramienta, ya que puede que la rueda reviente (Fig. 23).

Fig. 23



5. Retire la herramienta de la superficie de trabajo antes de apagarla. Deje que la herramienta pare de rotar antes de dejarla en algún sitio.

Instrucciones de funcionamiento

Corte de mampostería / concreto

⚠ ADVERTENCIA Cuando esté cortando, no jale nunca la herramienta hacia atrás, ya que la hoja trepará hasta salirse del material y se producirá RETROCESO.

Con esta amoladora es posible realizar corte de materiales de concreto y de mampostería. Cuando corte, trabaje con una velocidad de avance moderada, adaptada al material que se esté cortando.

Siga siempre las precauciones para evitar el retroceso.

Utilice la herramienta con un sistema de extracción de polvo y protección personal contra el polvo, como por ejemplo, un respirador, una máscara antipolvo, etc. La aspiradora utilizada para esta aplicación debe estar aprobada para la extracción de polvo de mampostería y de concreto. Bosch vende aspiradoras adecuadas.

1. Deje que la herramienta alcance la máxima velocidad antes de tocar la superficie de trabajo con ella.
2. Si realiza cortes de inmersión:
 - a. Incline la herramienta hacia delante con la rueda alineada con la línea de corte y sujete la herramienta por el cuerpo de la amoladora y el mango auxiliar (Fig. 24).
 - b. Baje gradualmente la parte trasera de la herramienta, utilizando el extremo delantero del pie como punto de bisagra.
 - c. Cuando el pie descanse en posición plana sobre la superficie que se esté cortando, proceda a cortar en dirección hacia delante hasta el final del corte.
3. Mantenga siempre el contacto entre el pie del protector y la pieza de trabajo.
4. Deslice la herramienta hacia delante a una velocidad moderada, adaptada al material que se esté cortando. Corte siempre hacia el puerto de extracción de polvo para maximizar la extracción de polvo y reducir las probabilidades de retroceso (Fig. 25).
5. Aplique una presión mínima a la superficie de trabajo, dejando que la herramienta funcione a alta velocidad. La tasa de corte es máxima cuando la herramienta funciona a alta velocidad.
6. Cuando se haya completado el corte, retire la herramienta de la pieza de trabajo antes de apagarla. Deje que la rueda pare de rotar antes de dejar la herramienta en algún sitio.

Consejo: Cuando realice cortes profundos, lo mejor es cortar en varias pasadas poco profundas. Cada pasada debería ser sólo hasta la profundidad del segmento de la rueda. El polvo de mampostería es abrasivo y es posible que desgaste y debilita la adhesión del segmento.

Cuando corte material especialmente duro, como por ejemplo concreto con un alto contenido de grava, la rueda de diamante para cortar en seco se puede recalentar y resultar dañada. Esto es indicado claramente por la generación circular de chispas por la rueda de diamante para cortar en seco durante su rotación. En este caso, interrumpa el proceso de corte y deje que la rueda de diamante para cortar en seco se enfríe, haciendo funcionar la herramienta durante un corto periodo de tiempo a la máxima velocidad sin carga.

Una disminución notable del progreso del trabajo y la generación circular de chispas son indicaciones de que la rueda de diamante para cortar en seco se ha desafilado. Cortar brevemente en materiales abrasivos (por ejemplo, ladrillo) puede reafilar la rueda.

Fig. 24

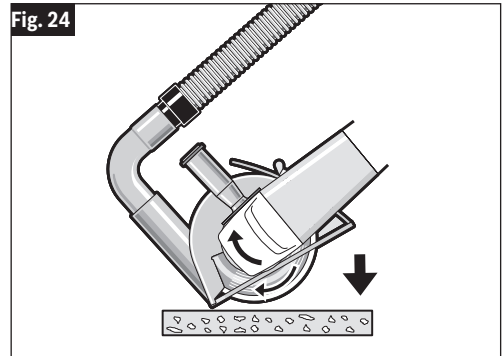
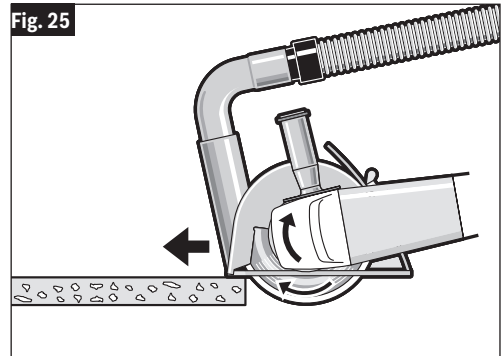


Fig. 25



Instrucciones de funcionamiento

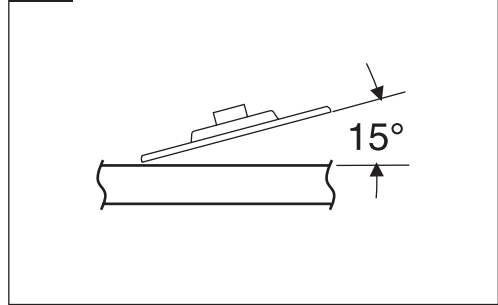
De lijado

Los discos de lijar oscilan en grano desde 16 (muy grueso) hasta 180 (muy fino). También varían en tamaño y separación del grano.

Los discos de CAPA ABIERTA (tipo H) se utilizan para materiales blandos y sobre pintura y barniz. Los discos de CAPA CERRADA (tipo K) se utilizan para metal, madera dura, piedra, mármol y otros materiales. Para obtener los mejores resultados, seleccione cuidadosamente los discos de lijar. Muchos trabajos requieren el uso de varios tamaños de grano y a veces se requieren discos tanto de capa abierta como de capa cerrada para completar el trabajo.

1. Deje que la herramienta alcance la máxima velocidad antes de tocar la superficie de trabajo con ella.
2. Aplique una presión mínima a la superficie de trabajo, dejando que la herramienta funcione a alta velocidad. La tasa de lijado es máxima cuando la herramienta funciona a alta velocidad.
3. Mantenga un ángulo de 10° a 15° entre la herramienta y la superficie de trabajo (Fig. 26).

Fig. 26



4. Mueva continuamente la herramienta a una velocidad moderada para evitar crear surcos en la superficie de trabajo.
5. Retire la herramienta de la superficie de trabajo antes de apagarla. Deje que la herramienta pare de rotar antes de dejarla en algún sitio.

Consejos: Guíe el disco con pasadas entrecruzadas. No utilice un movimiento circular, ya que esto produce marcas de espiral.

OPERACION: Reacabado de superficies de madera o de metal pintadas.

OBSERVACIONES	GRANO
Para quitar pintura y alisar irregularidades de la superficie.	Grueso 16-24-30
Para alisar el lijado basto.	Mediano 36-50-80
Para quitar arañazos dejados por discos anteriores.	Fino 100-120
Para alisar superficies para pintar, pulir o encerar.	Muy fino 150-180

Instrucciones de funcionamiento

Pulido de metal y concreto

⚠️ ADVERTENCIA No utilice la amoladora angular para pulir superficies pintadas o plásticas. Es posible que la utilización de amoladoras angulares para tales tipos de aplicaciones dañe los materiales y las superficies.

Las amoladoras angulares se podrán utilizar para algunas operaciones de pulido, tales como la creación de superficies lisas en metal, concreto o piedra. El pulido de estos materiales requiere cierta destreza e involucra la selección de los accesorios adecuados y un ajuste de amoladora adecuado. Todas las operaciones de pulido comienzan con un amolado para eliminar las imperfecciones, tales como soldaduras o rebabas en metal, una nivelación de las áreas de concreto desiguales o la realización de cortes en piedra, tal como mármol. El próximo paso es eliminar las marcas de la herramienta utilizando una almohadilla de refuerzo con un disco de lijar de grano adecuado o piedras de pulido montadas en un disco de soporte de fibra/epoxi de Tipo 27, como por ejemplo una rueda de aletas que tenga un grano típico entre 200 y 600.

Para crear un acabado final liso, se deberá utilizar un disco de lijado fino o una piedra de pulido que tenga un grano de 1600. Para obtener los mejores resultados de pulido, se recomienda una amoladora con velocidad variable y la velocidad se deberá ajustar aproximadamente a 4000 RPM. Si están disponibles, también se podrán utilizar una rueda de fieltro para amoladoras angulares y compuesto de pulido. Cuando utilice una amoladora sin el ajuste de velocidad variable, la superficie en la que se esté trabajando deberá ser monitoreada minuciosamente para evitar su sobrecalentamiento debido a la fricción.

Cepillo de alambre (ruedas y copas)

Los cepillos de alambre están diseñados para "limpiar" acero estructural, piezas fundidas, chapa metálica, piedra y concreto. Se utilizan para quitar herrumbre, costra y pintura.

1. Deje que la herramienta alcance su velocidad máxima antes de tocar la superficie de trabajo con ella.
2. Aplique una presión mínima a la superficie de trabajo, permitiendo que la herramienta funcione a alta velocidad.
3. Mueva continuamente la herramienta a una velocidad moderada para evitar crear surcos en la superficie de trabajo.
4. Retire la herramienta de la superficie de trabajo antes de apagarla. Deje que la herramienta pare de rotar antes de dejarla en algún lugar.

Consejo: Las puntas del cepillo hacen el trabajo. Utilice los cepillos de alambre con la presión más ligera posible para que solo las puntas del alambre entren en contacto con la pieza de trabajo. Si se usan presiones más elevadas, los alambres serán sometidos a sobre esfuerzo, lo cual causará una acción de barrido y acortará la vida útil del cepillo debido a la fatiga del alambre. La aplicación del lado o el borde del cepillo a la pieza de trabajo tendrá como resultado rotura del alambre y una vida útil más corta del cepillo.

CEPILLO DE RUEDA DE ALAMBRE	
CORRECTO: Las puntas de alambre hacen el trabajo.	
INCORRECTO: Una presión excesiva puede causar la rotura del alambre.	

CEPILLO ACOPADO DE ALAMBRE	
CORRECTO: Las puntas de alambre hacen el trabajo.	
INCORRECTO: Una presión excesiva puede causar la rotura del alambre.	



Mantenimiento

⚠ ADVERTENCIA Para evitar accidentes, siempre desconecte el paquete de baterías de la herramienta antes de limpiar o realizar cualquier mantenimiento.

Servicio

⚠ ADVERTENCIA NO HAY PIEZAS EN EL INTERIOR QUE PUEDAN SER AJUSTADAS O REPARADAS POR EL USUARIO. El mantenimiento preventivo realizado por personal no autorizado puede dar lugar a la colocación incorrecta de cables y componentes internos que podría constituir un peligro serio. Recomendamos que todo el servicio de las herramientas sea realizado en un Centro de servicio de fábrica Bosch o en una Estación de servicio Bosch autorizada.

Lubricación de las herramientas

Su herramienta Bosch ha sido lubricada adecuadamente y está lista para la utilización. Se recomienda volver a engrasar las herramientas con engranajes con un lubricante especial para engranajes en cada cambio de cepillo.

Escobillas de carbón

Las escobillas y el conmutador de la herramienta han sido diseñados para muchas horas de servicio fiable. Para mantener un rendimiento óptimo del motor, recomendamos que cada dos a seis meses se examinen las escobillas. Sólo se deben usar escobillas de repuesto Bosch genuinas de señadas específicamente para su herramienta.

Limpieza

⚠ PRECAUCION Ciertos agentes de limpieza y disolventes dañan las piezas de plástico. Algunos de estos son: gasolina, tetracloruro de carbono, disolventes de limpieza para clorados, amoníaco y detergentes domésticos que contienen amoníaco.

Las aberturas de ventilación y las palancas de interruptor deben mantenerse limpias y libres de materias extrañas. No intente limpiar introduciendo objetos puntiagudos a través de las aberturas.

Almacenamiento y mantenimiento de los accesorios

Almacene los accesorios en un lugar fresco y seco y evite que se congelen. Antes de usarlos, compruebe si hay grietas y fracturas y no los use si se sospecha que están dañados.



Cordones de extensión

⚠ ADVERTENCIA Si es necesario un cordón de extensión, se debe usar un cordón con conductores de tamaño adecuado que sea capaz de transportar la corriente necesaria para la herramienta. Esto evitará caídas de tensión excesivas, pérdida de potencia o recalentamiento. Las herramientas conectadas a tierra deben usar cordones de extensión de 3 hilos que tengan enchufes de 3 terminales y receptáculos para 3 terminales.

NOTA: Cuanto más pequeño sea el número de calibre, más alta será la capacidad del cordón.

TAMAÑOS RECOMENDADOS DE CORDONES DE EXTENSION HERRAMIENTAS DE 120 V CORRIENTE ALTERNA

Capacidad nominal en amperes de la herramienta	Tamaño del cordón en A.W.G.				Tamaños del cable en mm ²			
	Longitud del cordón en pies				Longitud del cordón en metros			
	25	50	100	150	15	30	60	120
3-6	18	16	16	14	0.75	0.75	1.5	2.5
6-8	18	16	14	12	0.75	1.0	2.5	4.0
8-10	18	16	14	12	0.75	1.0	2.5	4.0
10-12	16	16	14	12	1.0	2.5	4.0	—
12-16	14	12	—	—	—	—	—	—

Accesorios

⚠ ADVERTENCIA No utilice aditamentos/accesorios que no sean los especificados por Bosch. Es posible que el uso de aditamentos/accesorios no especificados para utilizarse con la herramienta descrita en este manual cause daños a la herramienta, daños materiales y/o lesiones corporales.

⚠ ADVERTENCIA No utilice ruedas abrasivas (acopadas) de tipo 11 con esta herramienta. Esta herramienta no está diseñada para utilizarse con ruedas de amolar abrasivas (acopadas) de tipo 11.

Accesorios y complementos opcionales	Numero de catalogo
Protectores para cortar concreto y/o mampostería de Tipo F	18DC-5E
Aditamento de extracción de polvo de concreto	18SG-5E
Ensamblaje de la almohadilla de refuerzo	MG0450 o MG0500
Protector de la mano	1601329013

Notes / Remarques / Notas

This page was intentionally left blank
Cette page a été laissée vierge intentionnellement.
Esta página se dejó intencionalmente en blanco

Notes / Remarques / Notas

This page was intentionally left blank
Cette page a été laissée vierge intentionnellement.
Esta página se dejó intencionalmente en blanco

Notes / Remarques / Notas

This page was intentionally left blank
Cette page a été laissée vierge intentionnellement.
Esta página se dejó intencionalmente en blanco

Licenses

Copyright © 2020, Microchip Technology Inc. and its subsidiaries (“Microchip”)

All rights reserved.

This software is developed by Microchip Technology Inc. **and its subsidiaries (“Microchip”)**.

Redistribution and use in source and binary forms, with or without modification, are permitted provided that the following conditions are met:

- Redistributions of source code must retain the above copyright notice, this list of conditions and the following disclaimer.
- Redistributions in binary form must reproduce the above copyright notice, this list of conditions and the following disclaimer in the documentation and/or other materials provided with the distribution.
- Microchip’s name may not be used to endorse or promote products derived from this software without specific prior written permission.

THIS SOFTWARE IS PROVIDED BY MICROCHIP “AS IS” AND ANY EXPRESS OR IMPLIED WARRANTIES, INCLUDING, BUT NOT LIMITED TO, THE IMPLIED WARRANTIES OF MERCHANTABILITY AND FITNESS FOR PURPOSE ARE DISCLAIMED. **IN NO** EVENT SHALL MICROCHIP BE LIABLE FOR ANY DIRECT, INDIRECT, INCIDENTAL, SPECIAL, EXEMPLARY, OR CONSEQUENTIAL DAMAGES (INCLUDING BUT NOT LIMITED TO PROCUREMENT OF SUBSTITUTE GOODS OR SERVICES; LOSS OF USE, DATA OR PROFITS; OR BUSINESS INTERRUPTION) HOWSOEVER CAUSED AND ON ANY THEORY OF LIABILITY, WHETHER IN CONTRACT, STRICT LIABILITY, OR TORT (INCLUDING NEGLIGENCE OR OTHERWISE) ARISING IN ANY WAY OUT OF THE USE OF THIS SOFTWARE, EVEN IF ADVISED OF THE POSSIBILITY OF SUCH DAMAGE.

LIMITED WARRANTY

For details on the terms of the limited warranty for this product, go to <https://rb-pt.io/PowerToolWarranty> or call 1-877-BOSCH99.

GARANTIE LIMITÉE

Pour tous détails sur les conditions de la garantie limitée pour ce produit, allez sur le site <https://rb-pt.io/PowerToolWarranty> ou téléphonez au 1-877-BOSCH99

GARANTÍA LIMITADA

Para obtener detalles sobre los términos de la garantía limitada de este producto, visite <https://rb-pt.io/PowerToolWarranty> o llame al 1-877-BOSCH99



© Robert Bosch Tool Corporation
1800 W. Central Road
Mt. Prospect, IL 60056-2230
160992A91P 04/2024

