

**IMPORTANT:**  
Read Before Using

**IMPORTANT :**  
Lire avant usage

**IMPORTANTE:**  
Leer antes de usar



**Operating/Safety Instructions**  
**Consignes de fonctionnement/sécurité**  
**Instrucciones de funcionamiento y seguridad**

**LR2**



**BOSCH**

**Call Toll Free for  
Consumer  
Information &  
Service Locations**

**Pour obtenir des  
informations et les adresses  
de nos centres de service  
après-vente, appelez ce  
numéro gratuit**

**Llame gratis para  
obtener información  
para el consumidor  
y ubicaciones  
de servicio**

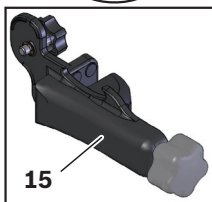
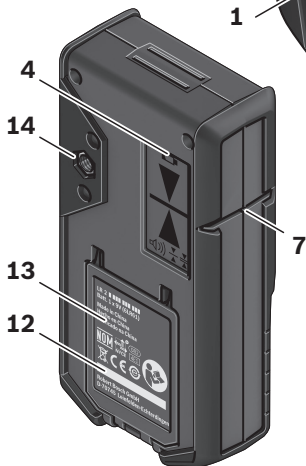
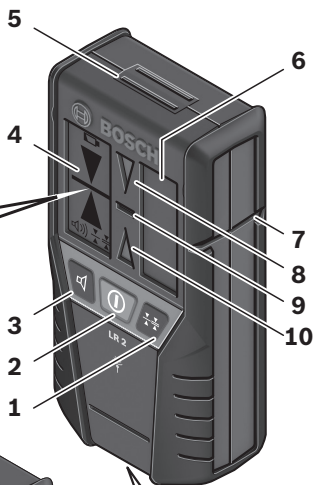
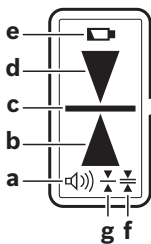
**1-877-BOSCH99 (1-877-267-2499) [www.boschtools.com](http://www.boschtools.com)**

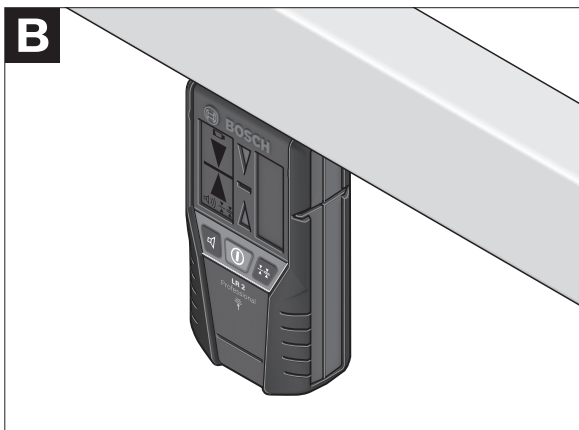
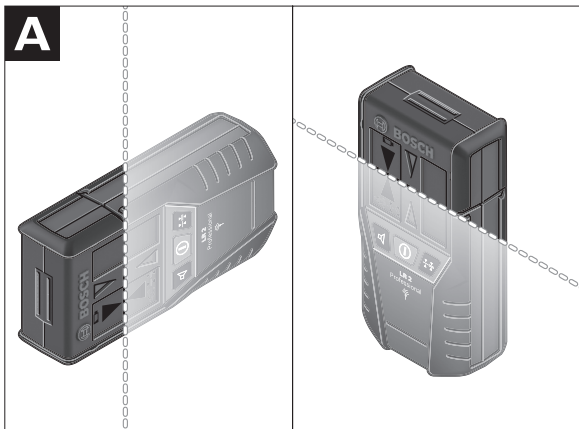
**For English Version  
See page 5**

**Version française  
Voir page 13**

**Versión en español  
Ver la página 23**







# General Safety Rules



**Read all instructions.** Failure to follow all instructions listed below may result in electric shock, fire and/or serious injury.

## SAVE THESE INSTRUCTIONS

### Work area safety

**Keep work area clean and well lit.** Cluttered or dark areas invite accidents.

**DO NOT operate the laser tool around children or allow children to operate the laser tool. Serious eye injury could result.**

### Electrical safety

**⚠ WARNING** **Batteries can explode or leak, cause injury or fire.** To reduce this risk, always follow all instructions and warnings on the battery label and package.  
DO NOT short any battery terminals.  
DO NOT charge alkaline batteries.  
DO NOT mix old and new batteries. Replace all of them at the same time with new batteries of the same brand and type.  
DO NOT mix battery chemistries. Dispose of or recycle batteries per local code.  
DO NOT dispose of batteries in fire.  
Keep batteries out of reach of children.  
Remove batteries if the device will not be used for several months.

### FCC Statement

**⚠ WARNING** Changes or modifications to this unit not expressly approved by the party responsible for compliance could void the user's authority to operate the equipment.

Note: This product has been tested and found to comply with the limits for a Class B Digital device, pursuant to Part 15 of the FCC Rules. These limits are designed to provide reasonable protection against harmful interference in a residential installation. This equipment generates, uses, and can radiate radio frequency energy and, if not installed and used in accordance with the instructions, may cause harmful interference to radio communications. However, there is no guarantee that interference will not occur in a particular installation. If this equipment does cause harmful interference to

radio or television reception, which can be determined by turning the equipment off and on, the user is encouraged to try to correct the interference by one or more of the following measures:

- Reorient or relocate the receiving antenna.
- Increase the separation between the equipment and receiver.
- Connect the equipment into an outlet on a circuit different from that to which the receiver is connected.
- Consult the dealer or an experienced radio TV technician for help.

### Personal safety

**Stay alert, watch what you are doing and use common sense when operating a tool. Do not use a tool while you are tired or under the influence of drugs, alcohol or medication.** A moment of inattention while operating a tool may result in serious personal injury or incorrect measurement results.

**Use safety equipment. Always wear eye protection.** Safety equipment such as dust mask, non-skid safety shoes, hard hat, or hearing protection used for appropriate conditions will reduce personal injuries.



**Keep the measuring tool away from cardiac pacemakers.** The magnet plate 5 generates a field that can impair the function of cardiac pacemakers.

**Keep the measuring tool away from magnetic data medium and magnetically-sensitive equipment.** The effect of the magnet plate 5 can lead to irreversible data loss.

### Noise Information

The A-weighted sound pressure level of the audio signal at one meter distance is 85 dB(A).

**Do not hold the tool close to your ear!**

### Use and care

**Use the correct tool for your application.** The correct tool will do the job better and safer.

**Do not use the tool if the switch does not turn it on and off.** Any tool that cannot be controlled with the switch is dangerous and must be repaired.

**Store idle tool out of the reach of children and do not allow persons unfamiliar with the tool or these instructions to operate the tool.** Tools are dangerous in the hands of untrained users.

**Maintain tools. Check for misalignment or binding of moving parts, breakage of parts and any other condition that may affect the operation. If damaged, tool repaired before use.** Many accidents are caused by poorly maintained tools.

**Use the tool, accessories, etc., in accordance with these instructions and in the manner intended for the particular type of tool, taking into account the working conditions and the work to be performed.** Use of the tool for operations different from those intended could result in a hazardous situation.

### Service

**Have your tool serviced by a qualified repair person using only identical replacement parts.** This will ensure that the safety of the tool is maintained.

**Develop a periodic maintenance schedule for tool. When cleaning a tool be careful not to disassemble any portion of the tool since internal wires may be misplaced or pinched or may be improperly mounted.** Certain cleaning agents such as gasoline, carbon tetrachloride, ammonia, etc. may damage plastic parts.

**SAVE THESE INSTRUCTIONS.**

## Intended Use

The tool is intended for detecting pulsating line lasers.

## Preparation

### Inserting/Replacing the Battery

Alkaline batteries are recommended for the tool.

Pull the latch **11** of battery lid outward and open the battery lid **13**.

When inserting batteries, pay attention to the correct polarity.

When the battery indication **e** appears for the first time on the display **4**, the tool can still be operated for approx. 2 h.

- **Remove the batteries from the tool when not using it for extended periods.** When storing for extended periods, the batteries can corrode and discharge themselves.

# Features

The numbering of the product features shown refers to the illustration of the tool on the graphic page.

- 1 Button for adjustment of the measuring accuracy
- 2 On/Off switch
- 3 Audio signal button
- 4 Display
- 5 Magnet plate
- 6 Reception area for the laser beam
- 7 Center mark
- 8 Direction LED "move downward"
- 9 Center-indication LED
- 10 Direction LED "move upward"
- 11 Latch of battery lid
- 12 Serial number
- 13 Battery lid
- 14 Mounting hole for M6 thread
- 15 Mounting Bracket (actual bracket may be different from the diagram)

Accessories shown or described are not part of the standard delivery scope of the product. A complete overview of accessories can be found in our accessories program.

## Display Elements

- a Audio signal indicator
- b Direction indicator "move upward"
- c Center indicator
- d Direction indicator "move downward"
- e Battery indication
- f "Medium" adjustment indicator
- g "Fine" adjustment indicator

# Technical Data

Working range (typical)	17-165 ft (5-50m)
Receiving angle	90°
Measuring accuracy	
- "Fine" adjustment	±1mm
- "Medium" adjustment	±3mm
Operating temperature	14 °F... 122 °F (-10 °C ... +50 °C)
Storage temperature	-4 °F... 158 °F (-20 °C ... +70 °C)
Battery	1 x 9 V 6LR61
Operating lifetime, approx.	30hrs



Weight	0.44lb (0.2 kg)
Dimensions	5.9" x 2.9" x 1.6" (150x 74 x 41mm)

- 1) The working range can be decreased by unfavourable environmental conditions (e.g. direct sun irradiation).
- 2) The angular accuracy between the 45° laser line and the 90° laser line is max.  $\pm 0.4$  mm/m.

Please observe the article number on the type plate of your tool. The trade names of the individual tools may vary.

The tool can be clearly identified with the serial number **12** on the type plate.

## Operation

### Initial Operation

- **Protect the tool against moisture.**
- **Do not subject the tool to extreme temperatures or variations in temperature.**  
As an example, do not leave it in vehicles for longer periods. In case of large variations in temperature, allow the tool to adjust to the ambient temperature before putting it into operation. In case of extreme temperatures or variations in temperature, the accuracy of the tool can be impaired.

### Setting Up the Tool (see figure A)

Position the tool at least 17ft (5m) away from the cross-line laser. Switch on the pulsating function on the cross-line laser, and select horizontal or vertical operation.

**Note:** Do not select cross-line operation, as otherwise faulty indications on the height of the laser beam can occur.

Position the tool in such a manner that the laser beam can reach the reception area **6**. Align the tool in such a manner that the laser beam runs laterally through the reception area (as shown in the figure).

### Switching On and Off

- A loud audio signal sounds when switching on the tool. Therefore, keep the tool away from your ear or other person when switching on. The loud audio signal can cause hearing defects.

To **switch on** the tool, press the On/Off button **2**. All display indicators as well as all LEDs light up briefly and an audio signal sounds.

To **switch off** the tool, press the On/Off button **2** again. Before switching off, all LEDs briefly light up.

When no button is pressed on the tool for approx. 20 minutes and when no laser beam reaches the reception area **6** for 20 minutes, the tool automatically switches off in order to save the battery. The switching off is indicated by brief lighting up of all LEDs.

### **Selecting the Setting of the Center Indicator**

With button **1**, you can specify with which accuracy the position of the laser beam is indicated as central on the reception area:

- “Fine” adjustment (indication **g** on the display),
- “Medium” adjustment (indication **f** on the display).

Whenever switching on the tool, the accuracy level “Medium” is set.

### **Direction Indicators**

The position of the laser beam on the reception area **6** is indicated:

- via the direction indicators “move downward” **d**, “move upward” **b** or the center indicator **c** on the display **4** on the front and back side of the tool,
- via the LEDs “move downward” **8**, “move upward” **10** or the center-indication LED **9** on the front side of the tool,
- optionally via the audio signal (see “Audio Signal for Indication of the Laser Beam”).

**Tool too low:** When the laser beam runs through the top half of the reception area **6**, the direction indicator **b** on the display and the corresponding direction LED **10** light up. When the audio signal is switched on, a slow-beat signal sounds. Move the tool upward in the direction of the arrow.

**Tool too high:** When the laser beam runs through the bottom half of the reception area **6**, the direction indicator **d** on the display and the corresponding direction LED **8** light up.

When the audio signal is switched on, a fast-beat signal sounds. Move the tool downward in the direction of the arrow.

**Tool in center position:** When the laser beam runs through the reception area **6** at the center mark **7**, the centre indicator **c** on the display and the corresponding center-indication LED **9** light up.

When the audio signal is switched on, a continuous signal sounds.

### **Audio Signal for Indication of the Laser Beam**

The position of the laser beam on the reception area **6** can be indicated via an audio signal.

After the tool has been switched on, the audio signal is always set to the low volume level.

The volume level can be increased or switched off.

To change the volume level or switch off the audio signal, push the acoustic signal button **3** until the requested volume level is indicated on the display. At low volume level, the audio signal indicator **a** appears on the display with one bar; at high volume level, the indicator appears with three bars. When the audio signal is set to off, the indicator goes out.

Independent of the audio signal setting, a short beep sounds at low volume level each time a button is pressed on the tool.

## **Working Advice**

---

### **Marking**

When the laser beam runs through the center of the reception area **6**, its height can be marked at the center mark **7** right and left on the tool.

When marking, take care to align the tool exactly vertical (for horizontal laser beam), or horizontal (for vertical laser beam), as otherwise the marks are offset with respect to the laser beam.

### **Attaching with the Magnet (see figure B)**

When a positive-lock attachment is not absolutely required, the tool can be attached to steel parts via the face side using the magnet plate **5**.

## **Maintenance and Service**

Keep the tool clean at all times.

Do not immerse the tool into water or other fluids.

Wipe off debris using a moist and soft cloth. Do not use any cleaning agents or solvents.

If the tool should fail despite the care taken in manufacturing and testing procedures, repair should be carried out by an authorized after-sales service center for Bosch power tools.

In all correspondence and spare parts orders, please always include the 10-digit article number given on the type plate of the tool.

### **ENVIRONMENT PROTECTION**

Recycle raw materials & batteries instead of disposing of waste. The unit, accessories, packaging & used batteries should be sorted for environmentally friendly recycling in accordance with the latest regulations.



## LIMITED WARRANTY OF BOSCH LASER AND MEASURING TOOL PRODUCTS

Robert Bosch Tool Corporation ("Seller") warrants to the original purchaser only, that all BOSCH laser and measuring tool products will be free from defects in material or workmanship for a period of three (3) years from date of purchase.

SELLER'S SOLE OBLIGATION AND YOUR EXCLUSIVE REMEDY under this Limited Warranty and, to the extent permitted by law, any warranty or condition implied by law, shall be the repair or replacement of laser and measuring tool products, which are defective in material or workmanship and which have not been misused, carelessly handled, or misrepaired by persons other than Seller or Seller Authorized Service providers.

SELLER'S OBLIGATION AND YOUR REMEDY ARE FURTHER LIMITED AS FOLLOWS:

- **30-Day Money Back Refund or Replacement.** If you are not completely satisfied with the performance of your laser or measuring tool product, for any reason, you can return it to BOSCH within 30 days of the date of purchase for a full refund or replacement. To obtain this 30-Day Refund or Replacement, your return must be accompanied by the original receipt for purchase of the laser or measuring tool product. A maximum of 2 returns per customer will be permitted.
- **First Year- OTC Warranty.** BOSCH will replace your laser or measuring tool product that has failed when used in conformance with product instructions and warnings, with a new laser or measuring tool product of comparable features, for free, any time during the first year after purchase. This warranty does not apply if your laser or measuring tool product fails solely due to the need for recalibration.
- **2- and 3-Year Exchange.** BOSCH will replace your laser or measuring tool product that has failed when used in conformance with product instructions and warnings, with a new or reconditioned laser or measuring tool product of comparable features, for an exchange cost. This warranty does not apply if your laser or measuring tool product fails solely due to the need for recalibration.

For details to make a claim under this Limited Warranty please visit [www.boschtools.com](http://www.boschtools.com) or call 1-877-267-2499.

ANY IMPLIED WARRANTIES SHALL BE LIMITED IN DURATION TO ONE YEAR FROM DATE OF PURCHASE. SOME STATES IN THE U.S., AND SOME CANADIAN PROVINCES DO NOT ALLOW LIMITATIONS ON HOW LONG AN IMPLIED WARRANTY LASTS, SO THE ABOVE LIMITATION MAY NOT APPLY TO YOU.

IN NO EVENT SHALL SELLER BE LIABLE FOR ANY INCIDENTAL OR CONSEQUENTIAL DAMAGES (INCLUDING BUT NOT LIMITED TO LIABILITY FOR LOSS OF PROFITS) ARISING FROM THE SALE OR USE OF THIS PRODUCT. SOME STATES IN THE U.S., AND SOME CANADIAN PROVINCES DO NOT ALLOW THE EXCLUSION OR LIMITATION OF INCIDENTAL OR CONSEQUENTIAL DAMAGES, SO THE ABOVE LIMITATION MAY NOT APPLY TO YOU.

THIS LIMITED WARRANTY GIVES YOU SPECIFIC LEGAL RIGHTS, AND YOU MAY ALSO HAVE OTHER RIGHTS WHICH VARY FROM STATE TO STATE IN THE U.S., OR PROVINCE TO PROVINCE IN CANADA AND FROM COUNTRY TO COUNTRY.

THIS LIMITED WARRANTY APPLIES ONLY TO PRODUCTS SOLD WITHIN THE UNITED STATES OF AMERICA, CANADA AND THE COMMONWEALTH OF PUERTO RICO. FOR WARRANTY COVERAGE WITHIN OTHER COUNTRIES, CONTACT YOUR LOCAL BOSCH DEALER OR IMPORTER.

# Consignes générales de sécurité



**Lisez toutes les instructions.** Le non-respect de toutes les instructions figurant ci-dessous risquerait de causer une exposition dangereuse aux rayonnements, un choc électrique, un incendie et/ou des blessures graves.

L'expression « instrument de topologies » dans tous les avertissements figurant plus bas fait référence à votre instrument de mesure, de détection et de tracé de topologies branché sur le secteur (avec cordon) ou à votre instrument de mesure, de détection et de tracé de topologies à piles (sans fil).

## CONSERVEZ CES INSTRUCTIONS.

### Sécurité sur le lieu de travail

Maintenez votre lieu de travail propre et bien éclairé. Les lieux de travail encombrés ou sombres invitent les accidents.

**N'UTILISEZ PAS** l'instrument laser à proximité d'enfants, et ne laissez pas des enfants se servir de l'instrument laser. Cela risquerait de produire des blessures graves aux yeux.

### Sécurité électrique

**⚠ AVERTISSEMENT** Les piles risquent d'exploser ou de fuir, et de causer des blessures ou un incendie.

Afin de réduire ce risque, suivez toujours toutes les instructions et tous les avertissements figurant sur l'étiquette des piles et sur l'emballage.

**NE COURT-CIRCUITEZ PAS** de bornes des piles.

**NE RECHARGEZ PAS** des piles alcalines.

**NE MÉLANGEZ PAS** des piles neuves et des piles usagées. Remplacez toutes les piles en même temps par des piles neuves de la même marque et du même type.

**NE MÉLANGEZ PAS** des piles ayant des compositions chimiques différentes.

Jetez ou recyclez les piles conformément aux règlements du code local.

**NE JETEZ PAS** des piles dans un feu.

Gardez les piles hors de la portée des enfants.

Retirez les piles si vous ne pensez pas utiliser cet instrument pendant plusieurs mois.

### Déclaration de la FCC

**⚠ AVERTISSEMENT** Ce produit a été testé et déclaré conforme aux limites autorisées pour un appareil numérique de Classe B, conformément à la Partie 15 des règles de la FCC. Ces limites sont conçues pour fournir une protection raisonnable contre toute interférence nuisible dans une installation résidentielle. Cet équipement génère, utilise et peut émettre une énergie de fréquence

radio et, s'il n'est pas installé et utilisé conformément aux instructions, il peut causer des interférences nuisibles avec les communications radio. Toutefois, il n'existe aucune garantie qu'aucune interférence ne surviendra dans une installation particulière. Si cet équipement se révèle causer une interférence nuisible à la réception radio ou de télévision, qui peut être déterminée en mettant l'équipement hors et sous tension, on encourage l'utilisateur à essayer de corriger l'interférence par l'une ou plusieurs des mesures suivantes:

- Réorientation ou déplacement de l'antenne de réception.
- Augmentation de la distance de séparation entre l'équipement et le récepteur.
- Connecter l'équipement dans une sortie sur un circuit différent de cela à lequel le récepteur est connecté.
- Consultation auprès du revendeur ou d'un technicien radio/TV expérimenté pour assistance.

### Sécurité personnelle

**Restez alerte, surveillez ce que vous êtes en train de faire et faites preuve de bons sens lorsque vous utilisez un quelconque outil.**

N'utilisez pas un outil pendant que vous êtes fatigué(e) ou sous l'influence de drogues, d'alcool ou de médicaments. Un moment d'inattention pendant que vous vous servez d'un outil risquerait de causer de graves blessures personnelles ou de produire des résultats de mesures imprécis.

**Utilisez des équipements de sécurité. Portez toujours une protection des yeux.** Des équipements tels que des masques antipoussières, des chaussures de sécurité antidérapantes, un casque ou une protection des oreilles utilisés pour les conditions appropriées réduiront les blessures corporelles.



**Ne pas mettre l'appareil de mesure dans la proximité de stimulateurs cardiaques.** Les disques magnétiques 5 génèrent un champ qui peut entraver le fonctionnement de stimulateurs cardiaques.

- **Maintenir l'appareil de mesure éloigné des supports de données magnétiques et des appareils réagissant aux sources magnétiques.** L'effet du disque magnétique 5 peut entraîner des pertes de données irréversibles.

### Informations concernant les bruits

La mesure réelle (A) du niveau de pression acoustique du signal sonore à un mètre de distance est de 85 dB(A).

**Ne pas tenir l'appareil de mesure près de l'oreille !**

## Utilisation et entretien

Utilisez l'outil correct pour votre application. L'instrument de mesure, de détection et de tracé de topologies correct vous permettra de faire un meilleur travail et avec plus de sécurité à la vitesse pour laquelle il a été conçu.

N'utilisez pas cet instrument si l'interrupteur ne s'allume pas ou ne s'éteint pas. Un instrument qui ne peut pas être contrôlé par son interrupteur est dangereux et doit être réparé.

Rangez l'instrument hors de la portée des enfants lorsque vous ne vous en servez pas, et ne laissez pas de personnes ne connaissant pas bien cet instrument ou n'ayant pas lu ce mode d'emploi mettre l'outil en marche. De tels instruments pourraient être dangereux entre les mains d'utilisateurs n'ayant pas reçu la formation nécessaire à leur utilisation.

Entretenez vos instruments. Assurez-vous que les pièces sont alignées correctement et que les pièces mobiles ne se coincent pas, qu'il n'y a pas de pièces brisées ou d'autres conditions pouvant affecter le fonctionnement. Réparez tout instrument endommagé avant de vous en servir. De nombreux accidents par des instruments de mesure, de détection et de tracé de topologies mal entretenus.

Utilisez l'outil, les accessoires, etc. conformément à ce mode d'emploi et de la manière prévue pour le type particulier d'instrument, en tenant compte des conditions de travail à réaliser. L'emploi de cet instrument pour des opérations différentes de celles qui sont indiqués dans le mode d'emploi risquerait de causer une situation dangereuse.

### Service après-vente

Faites réparer votre instrument par un réparateur agréé n'utilisant que des pièces de rechange identiques. Ceci assurera le respect des prescriptions de sécurité pour l'instrument. Préparez un calendrier de maintenance périodique pour l'instrument. Lorsque vous nettoyez un instrument, faites attention de ne pas démonter une partie quelconque de l'instrument étant donné que des fils internes risqueraient d'être déplacés ou pincés, ou qu'ils pourraient être remontés de façon incorrecte. Certains produits de nettoyage tels que de l'essence, du tétrachlorure de carbone, de l'ammoniac, etc. risqueraient d'endommager les composants en plastique.

Il n'est possible de travailler en toute sécurité avec cet instrument qu'après avoir lu toutes les informations relatives à son utilisation et à la sécurité, et à condition de respecter rigoureusement toutes les instructions contenues dans le mode d'emploi. Ne rendez jamais illisibles les étiquettes d'avertissement se trouvant sur l'instrument.

**CONSERVEZ CES INSTRUCTIONS.**

## Emploi prévu

L'appareil de mesure est conçu pour la détection rapide de faisceaux laser en rotation.

# Préparation

## Mise en place/changement des piles

Pour le fonctionnement de l'appareil de mesure, nous recommandons d'utiliser des piles alcalines au manganèse.

Tirez vers l'extérieur le blocage **11** du compartiment à piles et relevez le couvercle du compartiment à piles **13**.

Faites attention à insérer les piles en respectant la polarité.

Si l'affichage des piles apparaît pour la première fois sur l'écran 4, il est possible de continuer à utiliser l'appareil de mesure pendant 2 h environ.

- **Sortir les piles de l'appareil de mesure au cas où l'appareil ne serait pas utilisé pour une période assez longue. En cas de stockage long, les piles peuvent corroder et se décharger.**

## Features

La numérotation des éléments de l'appareil se réfère à la représentation de l'appareil de mesure sur la page graphique.

- 1 Touche réglage de la précision de mesure
- 2 Interrupteur Marche/Arrêt
- 3 Touche signal sonore
- 4 Afficheur
- 5 Plaque aimantée
- 6 Zone de réception pour faisceau laser
- 7 Repère central
- 8 LED Affichage de direction « Bouger vers le bas »
- 9 LED Marquage central
- 10 LED Affichage de direction « Bouger vers le haut »
- 11 Blocage du couvercle du compartiment à piles
- 12 Numéro de série
- 13 Couvercle du compartiment à piles
- 14 Logement de la fixation Taraudage M6
- 15 Support de montage

Les accessoires décrits ou montrés ne sont pas compris dans l'emballage standard. Vous trouverez les accessoires complets dans notre programme d'accessoires.

- a Affichage Signal sonore



- b Affichage de direction « Bouger vers le haut »
- c Affichage central
- d Affichage de direction « Bouger vers le bas »
- e Indicateur de charge de la pile
- f Affichage du réglage « Moyenne »
- g Affichage réglage « fin »

## Données techniques

Zone de travail typique	5-50 m
Angle de réception	90°
Précision de mesure	
– Réglage « fin »	±1 mm
– Réglage « Moyenne »	±3 mm
Température de service	-10°C+50 °C
Température de stockage	-20°C+70 °C
Piles	1 x 9V (6LR61)
Durée de service env	30 h
Poids suivant EPTA-Procédure 01/2003	0,2 kg
Dimensions	150 x 74 x 41 mm

- 1) La zone de travail peut, dans des conditions défavorables, être réduite (par ex. exposition directe au soleil).
- 2) En fonction de la distance entre récepteur de faisceau laser et laser à lignes croisées

Faire attention au numéro d'article se trouvant sur la plaque signalétique de l'appareil de mesure. Les désignations commerciales des différents appareils peuvent varier.

Pour permettre une identification précise de votre appareil de mesure, le numéro de série **12** est marqué sur la plaque signalétique.

## Consignes d'utilisation

### Mise en service

- **Protéger l'appareil de mesure contre la pluie !**
- **Ne pas exposer l'appareil de mesure à des températures extrêmes ou de forts changements de température.** Ne le laissez pas traîner longtemps dans la voiture par ex. En cas d'importants changements de

température, laissez l'appareil de mesure prendre la température ambiante avant de le mettre en service. Des températures extrêmes ou de forts changements de température peuvent entraver la précision de l'appareil de mesure.

### Montage de l'appareil de mesure (voir figure A)

Placez l'appareil de mesure à au moins 5 m du laser à lignes croisées. Activez la fonction pulsation du laser à lignes croisées et choisissez le mode horizontal ou vertical.

**Note:** Ne choisissez pas le mode lignes croisées, parce que sinon il y a risque d'affichages erronés quant à la hauteur du faisceau laser.

Placez l'appareil de mesure de manière à ce que le faisceau laser puisse atteindre la zone de réception **6**. Ajustez-le de façon à ce que le faisceau laser traverse transversalement la zone de réception (conformément à la figure).

### Mise en Marche/Arrêt

---

- **Lors de la mise en marche de l'appareil de mesure, un fort signal sonore se fait entendre. Maintenir alors l'appareil de mesure à l'écart de l'oreille ou d'autres personnes lors de la mise en marche.** Le bruit fort peut provoquer des séquelles auditives.

Pour **mettre en marche** l'appareil de mesure, appuyez sur la touche Marche/Arrêt **2**. Tous les affichages s'allument brièvement ainsi que tous les voyants LED et un signal sonore se fait entendre.

Pour **arrêter** l'appareil de mesure, appuyez à nouveau sur la touche Marche/Arrêt **2**. Tous les voyants LEDs s'allument brièvement avant que l'appareil ne s'éteigne.

Si aucune touche n'est appuyée sur l'appareil de mesure pendant env. 20 min et si aucun faisceau laser n'atteint la zone de réception **6** pendant 20 min, l'appareil s'éteint automatiquement pour ménager les piles. La mise hors service de l'appareil est indiquée par l'allumage bref de tous les voyants LED.

### Sélection du réglage de l'affichage central

A l'aide de la touche **1**, vous pouvez déterminer la précision avec laquelle la position du faisceau laser sera indiquée comme « centrale » sur la zone de réception.

- Réglage « fin » (affichage **g** sur l'afficheur),
- Réglage « Moyenne » (affichage **f** sur l'afficheur).

Après la mise en marche, l'appareil de mesure est toujours réglé sur le réglage de précision « Moyenne ».

### Affichages de direction

La position du faisceau laser dans la zone de réception **6** est affichée :

- par les affichages de direction « Bouger vers le bas » **d**, « Bouger vers le haut » **b** ou centrale **c** sur l'afficheur **4** se trouvant au dos ou sur

l'avant de l'appareil de mesure,

- par le voyant LED « Bouger vers le bas » **8**, « Bouger vers le haut » **10** ou central **9** à l'avant de l'appareil de mesure,
- en option par le signal sonore (voir « Signal sonore pour indiquer le faisceau laser »).

**L'appareil de mesure est trop bas** : Si le faisceau laser passe la moitié supérieure de la zone de réception **6**, les indicateurs de direction s'allument **b** sur l'afficheur ainsi que la LED **10** correspondante.

Si le signal sonore est activé, un signal au rythme lent se fait entendre.

Déplacez l'outil de mesure vers le haut en direction de la flèche.

**L'appareil de mesure est trop haut** : Si le faisceau laser traverse la partie inférieure de la zone de réception **6**, les indicateurs de direction s'allument **d** sur l'afficheur ainsi que la LED **8** correspondante. Si le signal sonore est activé, un signal au rythme rapide se fait entendre.

Déplacez l'outil de mesure vers le bas en direction de la flèche.

**L'appareil de mesure est au milieu** : Si le faisceau laser passe la zone de réception **6** à hauteur du marquage central **7**, l'affichage central s'allume **c** sur l'afficheur ainsi que la LED correspondante du milieu **9**. Si la fonction signal sonore est activée, un signal acoustique continu se fait entendre.

### **Signal sonore pour indiquer le faisceau laser**

La position du faisceau laser sur la zone de réception **6** peut être indiquée par un signal sonore.

Après chaque mise en service de l'appareil de mesure, le signal sonore est toujours sur un volume très bas.

Vous pouvez monter le son ou éteindre le signal sonore.

Pour modifier le signal sonore ou l'éteindre, appuyez sur la touche signal sonore **3** jusqu'à ce que le volume souhaité soit affiché sur l'afficheur. Pour un volume bas, l'affichage du signal sonore a sur l'afficheur apparaît comme une barre, pour un volume très fort avec trois barres, l'affichage s'éteint quand le signal sonore est éteint.

Indépendamment du réglage du signal sonore, un son court et bas se fait entendre à chaque fois qu'on appuie sur une touche de l'appareil de mesure.

## **Instructions d'utilisation**

---

### **Marquage**

Sur le marquage central **7** se trouvant à gauche et à droite de l'appareil de mesure, vous pouvez marquer la hauteur du faisceau laser, quand il passe le centre de la zone de réception **6**.

Lors du marquage, veillez à ajuster l'appareil de mesure verticalement (pour un faisceau laser horizontal) ou bien horizontalement (pour un faisceau laser vertical), sinon les marquages sont déplacés par rapport au faisceau laser.

### **Fixation par aimant (voir figure B)**

Si une fixation sûre n'est pas absolument nécessaire, vous pouvez fixer l'appareil de mesure à l'aide de la plaque aimantée **5** côté face à des pièces métalliques.

## **Maintenance et service**

### **Nettoyage et entretien**

---

Ne transporter et ranger l'appareil de mesure que dans son étui de protection fourni avec l'appareil.

Maintenir l'appareil de mesure propre.

Ne jamais plonger l'appareil de mesure dans l'eau ou dans d'autres liquides.

Nettoyer l'appareil à l'aide d'un chiffon doux et humide. Ne pas utiliser de détergents ou de solvants.

Nettoyer régulièrement en particulier les surfaces se trouvant près de l'ouverture de sortie du laser en veillant à éliminer les poussières.

Si, malgré tous les soins apportés à la fabrication et au contrôle de l'appareil de mesure, celui-ci devait avoir un défaut, la réparation ne doit être confiée qu'à une station de service après-vente agréée pour outillage Bosch.

Pour toute demande de renseignement ou commande de pièces de rechange, nous préciser impérativement le numéro d'article à dix chiffres de l'appareil de mesure indiqué sur la plaque signalétique.

### **PROTECTION DE L'ENVIRONNEMENT**

Recyclez les matières premières et les piles au lieu de les mettre au rebut. L'instrument, ses accessoires, son conditionnement et les piles usées doivent être triés en vue d'un recyclage écologique conforme aux lois les plus récentes.



# GARANTIE LIMITÉE DES PRODUITS LASER ET AUTRES INSTRUMENTS DE MESURE BOSCH

Robert Bosch Tool Corporation (le « Vendeur ») garantit à l'acheteur original seulement que tous les produits laser et autres instruments de mesure BOSCH ne comporteront pas de défauts de matériau ou de façon pendant une période de trois (3) ans à compter de la date de l'achat.

LA SEULE OBLIGATION DU VENDEUR ET VOTRE REMÈDE EXCLUSIF en vertu de cette Garantie limitée et, dans la mesure autorisée par la loi, de toute garantie ou condition implicite de par l'opération de la loi, seront la réparation ou le remplacement du produit laser et des autres instruments de mesure ayant des défauts de matériau ou de façon, à condition qu'ils n'aient pas été utilisés abusivement, manipulés sans prendre les précautions nécessaires ou réparés de façon incorrecte par des personnes autres que le Vendeur ou des prestataires de services agréés par le Vendeur.

L'OBLIGATION DU VENDEUR ET VOTRE REMÈDE SONT ÉGALEMENT LIMITÉS PAR LES DISPOSITIONS SUIVANTES :

- Le retour du produit pour un remboursement du prix d'achat dans les 30 jours doit être accompagné par l'original du reçu de la vente du produit laser ou de l'instrument de mesure. Deux retours de produits au maximum sont autorisés pour chaque client.
- Première année – garantie de remplacement instantané. BOSCH remplacera gratuitement votre produit laser ou votre instrument de mesure qui est devenu défectueux, malgré le fait qu'il a été utilisé conformément aux instructions et aux avertissements accompagnant le produit ou l'instrument, par un produit laser ou un instrument de mesure neuf ayant des caractéristiques comparables, à n'importe quel moment pendant l'année suivant l'achat. Cette garantie ne s'appliquera pas si votre produit laser ou instrument de mesure est défectueux seulement en conséquence du besoin de réétalonnage.
- Deuxième et troisième année – échange. BOSCH remplacera votre produit laser ou votre instrument de mesure qui est devenu défectueux, malgré le fait qu'il a été utilisé conformément aux instructions et aux avertissements accompagnant le produit ou l'instrument, par un produit laser ou un instrument de mesure neuf ou remis en état ayant des caractéristiques comparables moyennant un coût d'échange. Cette garantie ne s'appliquera pas si votre produit laser ou instrument de mesure est défectueux seulement en conséquence du besoin de réétalonnage.

Pour obtenir tous les détails nécessaires à une réclamation en vertu de la présente Garantie limitée, veuillez visiter [www.boschtools.com](http://www.boschtools.com) ou téléphoner au 1-877-267-2499.

TOUTES LES GARANTIES IMPLICITES AURONT UNE DURÉE LIMITÉE À UN AN À COMPTER DE LA DATE DE L'ACHAT. COMME CERTAINS ÉTATS AUX ÉTATS-UNIS ET CERTAINES PROVINCES AU CANADA NE PERMETTENT PAS LA LIMITATION DE LA DURÉE DES GARANTIES IMPLICITES, LA LIMITATION QUI PRÉCÈDE NE S'APPLIQUE PEUT-ÊTRE PAS À VOUS.

LE VENDEUR NE SERA EN AUCUN CAS RESPONSABLE POUR DE QUELCONQUES DOMMAGES INDIRECTS OU SECONDAIRES (Y COMPRIS, MAIS SANS LIMITATION, LA RESPONSABILITÉ POUR PERTE DE BÉNÉFICES) RÉSULTANT DE LA VENTE OU DE

L'UTILISATION DE CE PRODUIT. COMME CERTAINS ÉTATS AUX ÉTATS-UNIS ET CERTAINES PROVINCES AU CANADA NE PERMETTENT PAS L'EXCLUSION OU LA LIMITATION DES DOMMAGES INDIRECTS OU SECONDAIRES, LA LIMITATION QUI PRÉCÈDE NE S'APPLIQUE PEUT-ÊTRE PAS À VOUS.

CETTE GARANTIE LIMITÉE VOUS CONFÈRE DES DROITS LÉGAUX SPÉCIFIQUES, ET VOUS POUVEZ AVOIR D'AUTRES DROITS, QUI VARIENT D'UN ÉTAT À L'AUTRE AUX ÉTATS-UNIS, D'UNE PROVINCE À L'AUTRE AU CANADA ET D'UN PAYS À L'AUTRE.

CETTE GARANTIE LIMITÉE NE S'APPLIQUE QU'AUX PRODUITS VENDUS AUX ÉTATS-UNIS D'AMÉRIQUE, AU CANADA ET À PORTO RICO. POUR CONNAÎTRE LA COUVERTURE DE LA GARANTIE DANS D'AUTRES PAYS, VEUILLEZ CONTACTER VOTRE DISTRIBUTEUR OU IMPORTATEUR BOSCH.

# Nomas generales de seguridad



**Lea todas las instrucciones. Si no se siguen todas las instrucciones que aparecen a continuación, el resultado podría ser exposición a radiación peligrosa, descargas eléctricas, incendio y/o lesiones graves.** La expresión “herramienta de medición, detección y disposición” en todas las advertencias que aparecen a continuación se refiere a su herramienta de medición, detección y disposición alimentada por la red eléctrica (alámbrica) o su herramienta de medición, detección y disposición alimentada por baterías (inalámbrica).

## GUARDE ESTAS INSTRUCCIONES

### Seguridad en el área de trabajo

Mantenga el área de trabajo limpia y bien iluminada. Las áreas desordenadas u oscuras invitan a que se produzcan accidentes.

**NO utilice la herramienta láser cerca de niños ni deje que los niños utilicen la herramienta láser. El resultado podría ser lesiones graves en los ojos.**

### Seguridad eléctrica

**⚠ ADVERTENCIA** Las baterías pueden explotar o tener fugas y causar lesiones o incendios. Para reducir este riesgo, siga siempre todas las instrucciones y advertencias que están en la etiqueta y en el paquete de las baterías.

NO haga cortocircuito en los terminales de las baterías.

NO cargue baterías alcalinas.

NO mezcle baterías viejas y nuevas. Reemplace todas las baterías al mismo tiempo con baterías nuevas de la misma marca y el mismo tipo.

NO mezcle las químicas de las baterías.

Deseche o recicle las baterías de acuerdo con el código local.

NO deseche las baterías en un fuego.

Mantenga las baterías fuera del alcance de los niños.

Retire las baterías si el dispositivo no se va a usar durante varios meses.

## Declaración de FCC

**⚠ ADVERTENCIA** Este producto ha sido testado y hallado en cumplimiento con las limitaciones para un dispositivo digital Clase B, de conformidad con la Parte 15 de las reglas FCC. Estos límites han sido diseñados para brindar una protección razonable contra interferencias perjudiciales en una instalación residencial. Este equipo genera, utiliza y puede irradiar energía de radiofrecuencia y, de no estar instalado y usado de acuerdo con las

instrucciones, puede causar interferencias perjudiciales a las comunicaciones de radio. Sin embargo, no hay garantía alguna de que no habrá interferencias en una instalación en particular. Si este equipo causa interferencias perjudiciales en la recepción de radio o televisión que pudieren determinarse encendiendo o apagando el equipo, se insta al usuario a intentar corregirlas siguiendo una o varias de las siguientes medidas:

- Reorientar o reubicar la antena receptora.
- Aumentar la separación entre el equipo y el receptor.
- Conectar el equipo a un enchufe de distinto circuito a el que se encuentra conectado el receptor.
- Solicitar asistencia al distribuidor o a un técnico de radio/TV con experiencia.

### Seguridad personal

**Manténgase alerta, fíjese en lo que está haciendo y use el sentido común cuando utilice una herramienta. No utilice una herramienta mientras esté cansado o bajo la influencia de drogas, alcohol o medicamentos.** Un momento de descuido mientras se utiliza una herramienta puede causar lesiones personales graves o resultados de medición incorrectos.

**Use equipo de seguridad. Use siempre protección de los ojos.** El equipo de seguridad, tal como una máscara antipolvo, zapatos de seguridad antideslizantes, casco o protección de la audición, utilizado para las condiciones apropiadas, reducirá las lesiones corporales.



**No coloque el aparato de medición cerca de personas que utilicen un marcapasos. El campo que produce la base magnética 5 puede perturbar el funcionamiento de los marcapasos.**

- **Mantenga el aparato de medición alejado de soportes de datos magnéticos y de aparatos sensibles a los campos magnéticos.** La base magnética 5 puede provocar una pérdida de datos irreversible.

### Información sobre el ruido

El nivel de presión sonora de la señal acústica evaluado con un filtro A a una distancia de un metro es de 85 dB(A).

**¡No coloque el aparato de medición demasiado cerca de sus oídos!**

### Uso y cuidado

**Use la herramienta correcta para la aplicación que vaya a realizar.** La herramienta correcta de medición, detección y disposición hará el trabajo mejor y de manera más segura a la capacidad nominal para la que fue diseñada.

**No utilice la herramienta si el interruptor no la enciende y apaga.** Cualquier herramienta que no se pueda controlar con el interruptor es peligrosa y debe ser reparada.



**Cuando no esté utilizando la herramienta, almacénela fuera del alcance de los niños y no deje que las personas que no estén familiarizadas con ella o con estas instrucciones utilicen la herramienta.** Las herramientas son peligrosas en las manos de los usuarios que no hayan recibido capacitación.

**Mantenga las herramientas. Compruebe si hay piezas desalineadas o que se atoren, si hay piezas rotas y si existe cualquier otra situación que pueda afectar al funcionamiento. Si la herramienta está dañada, se debe reparar antes de utilizarla.** Muchos accidentes son causados por herramientas de medición, detección y disposición mal mantenidas.

**Utilice la herramienta, los accesorios, etc., de acuerdo con estas instrucciones y de la manera prevista para el tipo específico de herramienta, teniendo en cuenta las condiciones de trabajo y el trabajo que se vaya a realizar.** El uso de la herramienta para realizar operaciones distintas a las previstas podría causar una situación peligrosa.

### **Servicio**

**Haga que su herramienta reciba servicio de ajustes y reparaciones por un técnico de reparaciones calificado, utilizando únicamente piezas de repuesto idénticas.** Esto asegurará que se mantenga la seguridad de la herramienta.

**Desarrolle un programa de mantenimiento periódico para su herramienta. Cuando limpie una herramienta, tenga cuidado de no desarmar ninguna parte de la herramienta, ya que los cables internos se pueden descolocar o pellizcar, o se pueden montar incorrectamente.** Ciertos agentes de limpieza, tales como gasolina, tetracloruro de carbono, amoníaco, etc., pueden dañar las piezas de plástico.

**GUARDE ESTAS INSTRUCCIONES.**

## **Uso previsto**

El aparato de medición ha sido diseñado para detectar rápidamente rayos láser pulsantes.

## **Preparación**

### **Inserción y cambio de la pila**

Se recomienda utilizar pilas alcalinas de manganeso en el aparato de medición.

### **Mise en place/changement des piles**

Tire del clip de enclavamiento **11** del alojamiento de la pila y abra la tapa **13**.

Respete la polaridad al insertar las pilas.

Desde el momento en que aparece por primera vez el símbolo de estado

de carga e en el display **4**, el aparato de medición puede seguirse utilizando 2 h, aprox.

- **Saque las pilas del aparato de medida si pretende no utilizarlo durante largo tiempo.** Tras un tiempo de almacenaje prolongado, las pilas se puede llegar a corroer y autodescargar.

## Características

La numeración de los componentes está referida a la imagen del aparato de medición en la página ilustrada.

- 1 Tecla para ajuste de la exactitud de medida
- 2 Tecla de conexión/desconexión
- 3 Tecla de señal acústica
- 4 Display
- 5 Base magnética
- 6 Ventana receptora del rayo láser
- 7 Marca central
- 8 LED indicador de dirección “Mover hacia abajo”
- 9 LED indicador del centro
- 10 LED indicador de dirección “Mover hacia arriba”
- 11 Enclavamiento de la tapa del alojamiento de la pila
- 12 Número de serie
- 13 Tapa del alojamiento de la pila
- 14 Alojamiento con rosca M6 para soporte
- 15 Soporte de montaje

**\*Los accesorios descritos e ilustrados no corresponden al material que se adjunta de serie. La gama completa de accesorios opcionales se detalla en nuestro programa de accesorios..**

### Elementos de indicación

- a Indicador de señal acústica
- b Indicador de dirección “Mover hacia arriba”
- c Indicador del centro
- d Indicador de dirección “Mover hacia abajo”
- e Símbolo de estado de carga
- f Indicador de ajuste “Mediana”
- g Indicador de ajuste “fino”

## Datos Técnicos

Alcance (tipico) .....	(5-50m)
Ángulo de recepción .....	90°
Precisión de medición	
– Ajuste “fino” .....	±1 mm
– Ajuste “Mediana ” .....	±3 mm

Temperatura de operación .....	(-10 °C ... +50 °C)
Temperatura de almacenamiento .....	( -20 °C ... +70 °C)
Pilas .....	1 x 9 V (6LR61)
Autonomía aprox. ....	30 h
Peso según EPTA-Procedure 01/2003 .....	0,2kg
Dimensiones .....	150x 74x 41mm
Grado de protección .....	IP 54

- 1) El trabajo bajo unas condiciones ambientales desfavorables (p.ej. en caso de una exposición directa al sol) puede llegar a mermar el alcance del aparato.
- 2) dependiente de la separación entre el receptor y el láser de línea en cruz

Preste atención al nº de artículo que figura en la placa de características de su aparato de medición, ya que pueden variar las denominaciones comerciales en ciertos aparatos de medición.

El número de serie **12** grabado en la placa de características permite identificar de forma unívoca el aparato de medición.

## Operación

### Puesta en marcha

- **Proteja el aparato de medición de la humedad.**
- **No exponga el aparato de medición ni a temperaturas extremas ni a cambios bruscos de temperatura.** No lo deje, p.ej., en el coche durante un largo tiempo. Si el aparato de medición ha quedado sometido a un cambio fuerte de temperatura, antes de ponerlo en servicio, esperar primero a que se atempere. Las temperaturas extremas o los cambios bruscos de temperatura pueden afectar a la precisión del aparato de medición.

### Colocación del aparato de medición (ver figura A)

Coloque el aparato de medición a una distancia mínima de 5 m respecto al láser de línea en cruz. Conecte la función de ráfagas en el láser de línea en cruz y seleccione la modalidad horizontal o vertical.

**Observación:** No seleccione la modalidad de línea en cruz, ya que entonces podría ser errónea la indicación de altura del rayo láser.

Coloque el aparato de medición de manera que el rayo láser pueda incidir contra la ventana receptora **6**. Oriéntelo de manera que el rayo láser

atraviase a lo ancho la ventana receptora (ver figura).

### Conexión/desconexión

- **Al conectar el aparato de medición se emite una fuerte señal acústica. Por ello, al conectar el aparato de medición, manténgalo alejado de su oído o de otras personas.** La fuerte señal acústica puede causar daños auditivos.

Para **conectar** el aparato de medición pulse la tecla de conexión/desconexión **2**. Todos los indicadores del display así como los LED se iluminan brevemente y se emite una señal acústica.

Para **desconectar** el aparato de medición pulse nuevamente la tecla de conexión/desconexión **2**. Antes de desconectarse el aparato se iluminan brevemente todos los LED.

Si durante aprox. 20 min no se pulsa ninguna de las teclas del aparato de medición, y si en la ventana receptora **6** no incide ningún rayo láser en el transcurso de 20 min, el aparato de medición se desconecta entonces automáticamente para proteger la pila. La desconexión se señala al encenderse brevemente todos los LED.

Selección del ajuste del indicador del centro La tecla **1** le permite definir la precisión con la que debe quedar “centrado” el rayo láser respecto a la ventana receptora:

- Ajuste “fino” (en el display se representa g).
- Ajuste “Mediana” (en el display se representa f).

Tras conectar el aparato de medición la precisión seleccionada corresponde siempre al ajuste “Mediana”.

### Indicadores de dirección

La posición del rayo láser respecto a la ventana receptora **6** se indica:

- Con los indicadores de dirección “Mover hacia abajo” **d**, “Mover hacia arriba” **b** o Centrado **c** del display **4** en la parte delantera y posterior de aparato de medición.
- Con los LED “Mover hacia abajo” **8**, “Mover hacia arriba” **10** o Centrado **9** en la parte delantera del aparato de medición.
- Opcionalmente con una señal acústica (ver “Señal acústica indicadora de la posición del rayo láser”).

**Aparato de medición demasiado bajo:** Si el rayo láser incidiese contra la mitad superior de la ventana receptora **6**, aparece entonces el indicador de dirección **b** en el display y el respectivo LED **10** se ilumina.

Si se ha activado la señal acústica se emite un tono en lenta secuencia.

Desplace el aparato de medición hacia arriba en dirección de la flecha.

**Aparato de medición demasiado alto:** Si el rayo láser incidiese contra la mitad inferior de la ventana receptora **6**, aparece entonces el indicador de dirección **d** en el display y el respectivo LED **8** se ilumina.

Si se ha activado la señal acústica se emite un tono en rápida secuencia.

Desplace el aparato de medición hacia abajo en dirección de la flecha.

**Aparato de medición centrado:** Si el rayo láser incide contra la ventana receptora **6** a la altura de la marca central **7**, se enciende entonces el indicador del centro **c** y el LED central correspondiente **9**. Si estuviese activada la señal acústica se emite un tono permanente.

### **Señal acústica indicadora de la posición del rayo láser**

La posición de incidencia del rayo láser contra la ventana receptora **6** puede indicarse mediante una señal acústica.

Al conectar el aparato de medición, la señal acústica es ajustada siempre al volumen bajo.

Ud. puede aumentar el volumen de la señal acústica, o bien, desactivarla.

Para cambiar de volumen o desactivar la señal acústica pulse la tecla de la señal acústica **3** hasta que se muestre el volumen deseado en el display. Si se ha ajustado el volumen bajo, en el indicador de la señal acústica **a** del display se muestra una barra, si se trata del volumen alto se muestran tres barras, y si la señal acústica estuviese inactiva, éste desaparece.

Independientemente del volumen que haya ajustado para la señal acústica, siempre que pulse una tecla del aparato de medición, se emite un breve tono con bajo volumen para confirmar dicha pulsación.

## **Instrucciones para la operación**

---

### **Marcado**

La marca central **7** situada al lado derecho e izquierdo del aparato de medición le permite trazar la posición del rayo láser al incidir éste contra el centro de la ventana receptora **6**.

Al marcar, preste atención a que el aparato de medición se encuentre perfectamente vertical (si utiliza el rayo láser horizontal) u horizontal (si utiliza el rayo láser vertical) para evitar que queden desplazadas las marcas respecto al rayo láser.

### **Sujeción magnética (ver figura B)**

Si el trabajo a realizar no exigiese una sujeción demasiado firme del aparato de medición, éste puede fijarse por su cara frontal a piezas de acero empleando la base magnética **5**.

## **Mantenimiento y servicio**

### **Mantenimiento y limpieza**

Mantenga limpio siempre el aparato de medición.

No sumerja el aparato de medición en agua ni en otros líquidos.

Limpie el aparato con un paño húmedo y suave. No usar detergentes ni disolventes.

Si a pesar de los esmerados procesos de fabricación y control, el aparato de medición llegase a averiarse, la reparación deberá encargarse a un taller de servicio autorizado para herramientas eléctricas Bosch.

Al realizar consultas o solicitar piezas de repuesto, es imprescindible indicar siempre el n° de artículo de 10 dígitos que figura en la placa de características del aparato de medición.



## PROTECCIÓN AMBIENTAL

Recicle las materias primas y las baterías en lugar de desecharlas como desperdicios. La unidad, los accesorios, el empaquetamiento y las baterías usadas se deben separar para reciclarlos de manera respetuosa con el medio ambiente, de acuerdo con los reglamentos más recientes.

## GARANTÍA LIMITADA PARA PRODUCTOS DE HERRAMIENTAS LÁSER Y DE MEDICIÓN BOSCH

Robert Bosch Tool Corporation (el "Vendedor") garantiza, únicamente al comprador original, que todos los productos de herramientas láser y de medición BOSCH estarán libres de defectos de material o de fabricación durante un período de tres (3) años a partir de la fecha de compra.

LA ÚNICA OBLIGACIÓN DEL VENDEDOR Y EL RECURSO EXCLUSIVO QUE USTED TIENE bajo esta Garantía Limitada y, hasta donde la ley lo permita, cualquier garantía o condición implícita por ley, consistirán en la reparación o el reemplazo de los productos de herramientas láser y de medición que presenten defectos de material o de fabricación y que no hayan sido utilizados incorrectamente, manejados descuidadamente o reparados incorrectamente por personas que no sean el Vendedor o proveedores de Servicio Autorizados por el Vendedor.

LA OBLIGACIÓN DEL VENDEDOR Y EL RECURSO QUE USTED TIENEN ESTÁN LIMITADOS ADICIONALMENTE DE LA MANERA SIGUIENTE:

- **Reembolso de devolución del dinero o reemplazo durante 30 días.** Si no está completamente satisfecho con el rendimiento de su producto de herramienta láser o de medición, por cualquier motivo, puede devolverlo a BOSCH dentro del plazo de 30 días a partir de la fecha de compra para obtener un reembolso completo o un reemplazo. Para obtener este reembolso o reemplazo dentro del plazo de 30 días, su devolución debe estar acompañada por el recibo de compra original del producto de herramienta láser o de medición. Se permitirá un máximo de 2 devoluciones por cliente.
- **Garantía OTC durante el primer año.** BOSCH reemplazará su producto de herramienta láser o de medición que haya fallado cuando se haya utilizado de acuerdo con las instrucciones y advertencias del producto, con un producto de herramienta láser o de medición nuevo de características comparables, gratuitamente, en cualquier momento durante el primer año después de la compra. Esta garantía no se aplica si su producto de herramienta láser o de medición falla solamente debido a la necesidad de calibración.
- **Intercambio dentro del plazo de 2 y 3 años.** BOSCH reemplazará su producto de herramienta láser o de medición que haya fallado cuando se haya utilizado de acuerdo con las instrucciones y advertencias del producto, con un producto de herramienta láser o de

medición nuevo o reacondicionado de características comparables, por un costo de intercambio. Esta garantía no tiene aplicación si su producto de herramienta láser o de medición falla solamente debido a la necesidad de recalibración.

Para obtener detalles con el fin de presentar un reclamo bajo esta Garantía Limitada, sírvase visitar [www.boschtools.com](http://www.boschtools.com) o llamar al 1-877-267-2499.

TODAS LAS GARANTÍAS IMPLÍCITAS TENDRÁN UNA DURACIÓN LIMITADA A UN AÑO A PARTIR DE LA FECHA DE COMPRA. ALGUNOS ESTADOS DE LOS EE.UU. Y ALGUNAS PROVINCIAS CANADIENSES NO PERMITEN LIMITACIONES EN CUANTO A LA DURACIÓN DE UNA GARANTÍA IMPLÍCITA, POR LO QUE ES POSIBLE QUE LA LIMITACIÓN QUE ANTECEDE NO TENGA APLICACIÓN EN EL CASO DE USTED.

EL VENDEDOR NO SERÁ RESPONSABLE EN NINGÚN CASO POR DAÑOS INCIDENTALES O EMERGENTES (INCLUYENDO PERO SIN ESTAR LIMITADOS A RESPONSABILIDAD POR PÉRDIDA DE GANANCIAS) QUE SURJAN DE LA VENTA O UTILIZACIÓN DE ESTE PRODUCTO. ALGUNOS ESTADOS DE LOS EE.UU. Y ALGUNAS PROVINCIAS CANADIENSES NO PERMITEN LA EXCLUSIÓN O LIMITACIÓN DE LOS DAÑOS INCIDENTALES O EMERGENTES, POR LO QUE ES POSIBLE QUE LA LIMITACIÓN QUE ANTECEDE NO TENGA APLICACIÓN EN EL CASO DE USTED.

ESTA GARANTÍA LIMITADA LE CONFIERE A USTED DERECHOS LEGALES ESPECÍFICOS Y ES POSIBLE QUE USTED TENGA TAMBIÉN OTROS DERECHOS QUE VARÍAN DE UN ESTADO A OTRO EN LOS EE.UU. O DE UNA PROVINCIA A OTRA EN CANADÁ Y DE UN PAÍS A OTRO.

ESTA GARANTÍA LIMITADA SE APLICA SÓLO A LOS PRODUCTOS VENDIDOS EN LOS ESTADOS UNIDOS DE AMÉRICA, CANADÁ Y EL ESTADO LIBRE ASOCIADO DE PUERTO RICO. PARA OBTENER COBERTURA DE GARANTÍA EN OTROS PAÍSES, PÓNGASE EN CONTACTO CON SU DISTRIBUIDOR O IMPORTADOR BOSCH LOCAL

© Robert Bosch Tool Corporation 1800 W. Central Road Mt. Prospect, IL 60056-2230  
Exportado por: Robert Bosch Tool Corporation Mt. Prospect, IL 60056-2230, E.U.A.  
Importado en México por: Robert Bosch, S.A. de C.V., Calle Robert Bosch No. 405,  
Zona Industrial, Toluca, Edo. de México, C.P. 50070, Tel. (722) 2792300