

**IMPORTANT**  
Read Before Using

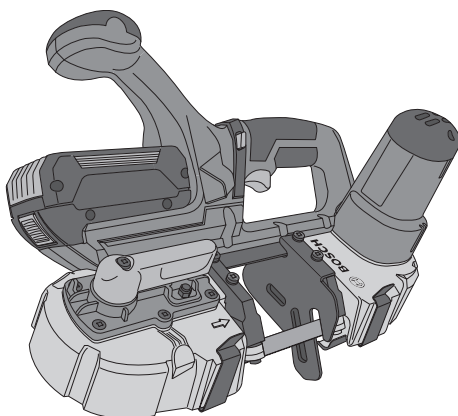
**IMPORTANT**  
Lire avant usage

**IMPORTANTE**  
Leer antes de usar



**Operating / Safety Instructions**  
**Consignes d'utilisation/de sécurité**  
**Instrucciones de funcionamiento y seguridad**

**GCB18V-2**



**BOSCH**

Call Toll Free for Consumer Information & Service Locations

Pour obtenir des informations et les adresses de nos centres de service après-vente, appelez ce numéro gratuit

Llame gratis para obtener información para el consumidor y ubicaciones de servicio

**1-877-BOSCH99 (1-877-267-2499) [www.boschtools.com](http://www.boschtools.com)**





For English Version  
See page 2

Version française  
Voir page 12


Versión en español  
Ver la página 23

## Safety Symbols

The definitions below describe the level of severity for each signal word. Please read the manual and pay attention to these symbols.

	This is the safety alert symbol. It is used to alert you to potential personal injury hazards. Obey all safety messages that follow this symbol to avoid possible injury or death.
	DANGER indicates a hazardous situation which, if not avoided, will result in death or serious injury.
	WARNING indicates a hazardous situation which, if not avoided, could result in death or serious injury.
	CAUTION indicates a hazardous situation which, if not avoided, could result in minor or moderate injury.

## General Power Tool Safety Warnings

 **Read all safety warnings and all instructions.** Failure to follow the warnings and instructions may result in electric shock, fire and/or serious injury.

### SAVE ALL WARNINGS AND INSTRUCTIONS FOR FUTURE REFERENCE

The term “power tool” in the warnings refers to your mains-operated (corded) power tool or battery-operated (cordless) power tool.

### ► Work area safety

**Keep work area clean and well lit.** Cluttered or dark areas invite accidents.

**Do not operate power tools in explosive atmospheres, such as in the presence of flammable liquids, gases or dust.** Power tools create sparks which may ignite the dust or fumes.

**Keep children and bystanders away while operating a power tool.** Distractions can cause you to lose control.

### ► Electrical safety

**Power tool plugs must match the outlet. Never modify the plug in any way. Do not use any adapter plugs with earthed (grounded) power tools.** Unmodified plugs and matching outlets will reduce risk of electric shock.

**Avoid body contact with earthed or grounded surfaces such as pipes, radiators, ranges and refrigerators.** There is an increased risk of electric shock if your body is earthed or grounded.

**Do not expose power tools to rain or wet conditions.** Water entering a power tool will increase the risk of electric shock.

**Do not abuse the cord. Never use the cord**

**for carrying, pulling or unplugging the power tool. Keep cord away from heat, oil, sharp edges or moving parts.** Damaged or entangled cords increase the risk of electric shock.

**When operating a power tool outdoors, use an extension cord suitable for outdoor use.** Use of a cord suitable for outdoor use reduces the risk of electric shock.

**If operating a power tool in a damp location is unavoidable, use a Ground Fault Circuit Interrupter (GFCI) protected supply.** Use of an GFCI reduces the risk of electric shock.

### ► Personal safety

**Stay alert, watch what you are doing and use common sense when operating a power tool. Do not use a power tool while you are tired or under the influence of drugs, alcohol or medication.** A moment of inattention while operating power tools may result in serious personal injury.

**Use personal protective equipment. Always wear eye protection.** Protective equipment such as dust mask, non-skid safety shoes, hard hat, or hearing protection used for appropriate conditions will reduce personal injuries.

## General Power Tool Safety Warnings

**Prevent unintentional starting.** Ensure the switch is in the off-position before connecting to power source and / or battery pack, picking up or carrying the tool. Carrying power tools with your finger on the switch or energizing power tools that have the switch on invites accidents.

**Remove any adjusting key or wrench before turning the power tool on.** A wrench or a key left attached to a rotating part of the power tool may result in personal injury.

**Do not overreach. Keep proper footing and balance at all times.** This enables better control of the power tool in unexpected situations.

**Dress properly. Do not wear loose clothing or jewelry. Keep your hair, clothing and gloves away from moving parts.** Loose clothes, jewelry or long hair can be caught in moving parts.

**If devices are provided for the connection of dust extraction and collection facilities, ensure these are connected and properly used.** Use of dust collection can reduce dust-related hazards.

### ► Power tool use and care

**Do not force the power tool. Use the correct power tool for your application.** The correct power tool will do the job better and safer at the rate for which it was designed.

**Do not use the power tool if the switch does not turn it on and off.** Any power tool that cannot be controlled with the switch is dangerous and must be repaired.

**Disconnect the plug from the power source and/or the battery pack from the power tool before making any adjustments, changing accessories, or storing power tools.** Such preventive safety measures reduce the risk of starting the power tool accidentally.

**Store idle power tools out of the reach of children and do not allow persons unfamiliar with the power tool or these instructions to operate the power tool.** Power tools are dangerous in the hands of untrained users.

**Maintain power tools. Check for misalignment or binding of moving parts, breakage of parts and any other condition that may affect the power tool's operation. If damaged, have the power tool repaired before use.** Many accidents are caused by poorly maintained power tools.

**Keep cutting tools sharp and clean.** Properly maintained cutting tools with sharp cutting edges are less likely to bind and are easier to control.

**Use the power tool, accessories and tool bits etc. in accordance with these instructions, taking into account the working conditions and the work to be performed.** Use of the power tool for operations different from those intended could result in a hazardous situation.

### ► Battery tool use and care

**Recharge only with the charger specified by the manufacturer.** A charger that is suitable for one type of battery pack may create a risk of fire when used with another battery pack.

**Use power tools only with specifically designated battery packs.** Use of any other battery packs may create a risk of injury and fire.

**When battery pack is not in use, keep it away from other metal objects like paper clips, coins, keys, nails, screws, or other small metal objects that can make a connection from one terminal to another.** Shorting the battery terminals together may cause burns or a fire.

**Under abusive conditions, liquid may be ejected from the battery, avoid contact. If contact accidentally occurs, flush with water. If liquid contacts eyes, additionally seek medical help.** Liquid ejected from the battery may cause irritation or burns.

### ► Service

**Have your power tool serviced by a qualified repair person using only identical replacement parts.** This will ensure that the safety of the power tool is maintained.

## Safety Rules for Cordless Band Saws

**Hold power tool by insulated gripping surfaces, when performing an operation where the cutting accessory may contact hidden wiring.** Cutting accessory contacting a "live" wire may make exposed metal parts of the power tool "live" and could give the operator an electric shock.

**Use clamps or another practical way to secure and support the workpiece to a stable platform.** Holding the work by hand or against your body leaves it unstable and may lead to loss of control.

**Secure material before cutting. Never hold it in your hand or across legs.** Small or thin material may flex or vibrate with the blade, causing loss of control.

**Do not use a damaged blade.** Before each use inspect the blade for cracks, chips or other damage. Replace a damaged blade immediately.

**Do not apply cutting lubricants or oil to the blade of this tool.** Lubrication will cause blade to slip within tool.

**Wipe excess oil from workpiece before cutting.** Lubrication will cause blade to slip within tool.

**Hold the saw firmly to prevent loss of control.** Figures in this manual illustrate typical hand support of the saw.

**Keep hands away from cutting area.** Do not reach under the material being cut. The proximity of the blade to your hand is hidden from your sight.

**Keep hands from between the blade and material guide.** Always start cut with workpiece on the material guide. When tool starts work will be pulled to the material guide and can pinch your fingers.

**Before starting to cut, turn tool "ON" and allow the blade to come to full speed.** Tool can chatter or vibrate if blade speed is too slow at beginning of cut.

**Do not touch the blade or the workpiece immediately after operation.** Blade and workpiece will be hot.

**When removing the blade from the tool avoid contact with skin and use proper protective gloves when grasping the blade or accessory.** Accessories may be hot after prolonged use.

**Do not "jam" the blade or apply excessive pressure to the tool when cutting.** Overstressing the blade increases the loading and susceptibility to twisting or binding of the blade in the cut and the possibility of blade breakage.

**Do not operate saw without cover plate secured on the saw.** Contact with moving parts may result in serious personal injury.

## Additional Safety Warnings

GFCI and personal protection devices like electrician's rubber gloves and footwear will further enhance your personal safety.

**Keep handles dry, clean and free from oil and grease.** Slippery hands cannot safely control the power tool.

**Develop a periodic maintenance schedule for your tool. When cleaning a tool be careful not to disassemble any portion of the tool since internal wires may be misplaced or pinched or safety guard return springs may be improperly mounted.** Certain cleaning agents such as gasoline, carbon tetrachloride, ammonia, etc. may damage plastic parts.

**Ensure the switch is in the off position before inserting battery pack.** Inserting the battery pack into power tools that have the switch on invites accidents.





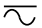


**⚠ WARNING** Some dust created by power sanding, sawing, grinding, drilling, and other construction activities contains chemicals known to cause cancer, birth defects or other reproductive harm. Some examples of these chemicals are:

- Lead from lead-based paints,
- Crystalline silica from bricks and cement and other masonry products, and
- Arsenic and chromium from chemically-treated lumber.

Your risk from these exposures varies, depending on how often you do this type of work. To reduce your exposure to these chemicals: work in a well ventilated area, and work with approved safety equipment, such as those dust masks that are specially designed to filter out microscopic particles.

## Symbols

**Important:** Some of the following symbols may be used on your tool. Please study them and learn their meaning. Proper interpretation of these symbols will allow you to operate the tool better and safer.

Symbol	Designation / Explanation
V	Volts (voltage)
Ah	Amp hour (measurement of battery capacity)
A	Amperes (current)
Hz	Hertz (frequency, cycles per second)
W	Watt (power)
kg	Kilograms (weight)
min	Minutes (time)
s	Seconds (time)
∅	Diameter (size of drill bits, grinding wheels, etc.)
$n_0$	No load speed (rotational speed at no load)
$n$	Rated speed (maximum attainable speed)
.../min	Revolutions or reciprocation per minute (revolutions, strokes, surface speed, orbits etc. per minute)
0	Off position (zero speed, zero torque...)
1, 2, 3, ... I, II, III,	Selector settings (speed, torque or position settings. Higher number means greater speed)
	Infinitely variable selector with off (speed is increasing from 0 setting)
	Arrow (action in the direction of arrow)
	Alternating current (type or a characteristic of current)
	Direct current (type or a characteristic of current)
	Alternating or direct current (type or a characteristic of current)
	Class II construction (designates double insulated construction tools)
	Earthing terminal (grounding terminal)

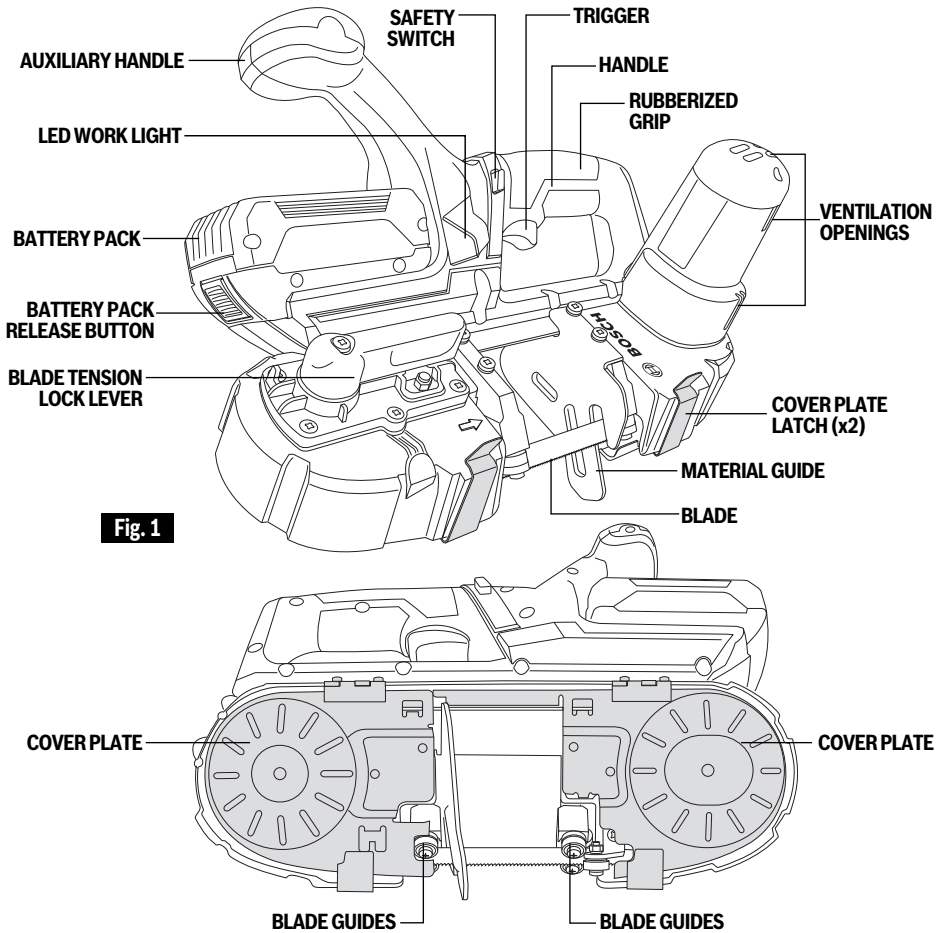
## Symbols

**Important:** Some of the following symbols may be used on your tool. Please study them and learn their meaning. Proper interpretation of these symbols will allow you to operate the tool better and safer.

Symbol	Designation / Explanation
	Alerts user to read manual
	Alerts user to wear eye protection
	This symbol designates that this tool is listed by Underwriters Laboratories.
	This symbol designates that this component is recognized by Underwriters Laboratories.
	This symbol designates that this tool is listed by Underwriters Laboratories, to United States and Canadian Standards.
	This symbol designates that this tool is listed by the Canadian Standards Association.
	This symbol designates that this tool is listed by the Canadian Standards Association, to United States and Canadian Standards.
	This symbol designates that this tool is listed by the Intertek Testing Services, to United States and Canadian Standards.
	This symbol designates that this tool complies to NOM Mexican Standards.
	Designates Li-ion battery recycling program
	Designates Ni-Cad battery recycling program

## Functional Description and Specifications

**⚠ WARNING** Disconnect battery pack from tool before making any assembly, adjustments or changing accessories. Such preventive safety measures reduce the risk of starting the tool accidentally.



<b>Cordless Band Saw GCB18V-2</b>	
	Voltage 18 V <sup>Li-Ion</sup>
	No load speed ( $n_0$ ) 530/min (SFPM)
	Blade Size 28-7/8" x 1/2" x .020"
<b>Capacities</b>	Round stock 2-1/2"
	Rectangular 2-1/2" x 2-1/2"
<b>Allowed ambient temperature</b>	- during charging 32...113 °F (0...+45 °C)
	- during operation -4...122 °F (-20...+50 °C)
	- during storage 32...122 °F (0...+50 °C)

### Battery Packs/Chargers

Please refer to the battery/charger list, included with your tool.

## Assembly

**⚠ WARNING** Disconnect battery pack from tool before making any assembly, adjustments or changing accessories. Such preventive safety measures reduce the risk of starting the tool accidentally.

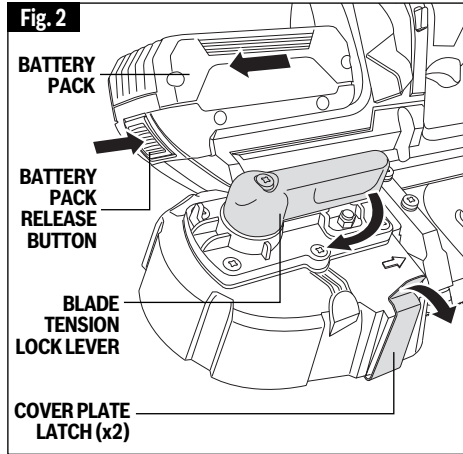
### ► Inserting and Releasing Battery Pack

Your tool is equipped with a secondary locking latch to prevent the battery pack from completely falling out of the handle, should it become loose due to vibration.

To remove the battery pack, press the battery pack release button and slide the battery pack forward.

Press the battery pack release button again and slide the battery pack completely out of tool housing (Fig. 2).

remove blade from the pulleys (Fig. 3).

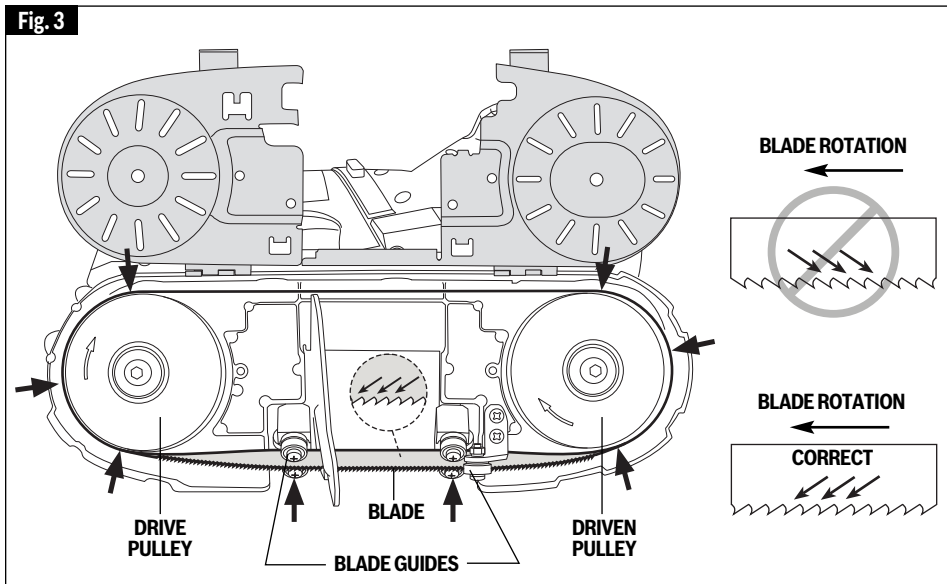


### ► Removing Blade

1. Place the saw on a flat sturdy surface. Turn the blade tension lock lever 180° clockwise to release blade tension (Fig. 2).
2. Release the cover plate latches and open the cover plate completely. (Fig. 2 and 3).
3. Pull blade out of the guides and

### ► Installing Blade

1. Firmly press the blade between the guides and route the blade around the pulleys. **Note:** be sure teeth face up and point in the same direction as the rotation arrow. (Fig. 3).
2. Turn blade tension lock lever 180° counter-clockwise to tighten the blade on the pulleys (Fig. 2).
3. Be sure the blade lies freely within





## Assembly

the blade track before starting the saw.

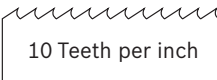
4. Close the cover plate.

### ► Blades And Blade Selection

The blade dimensions required for this saw is: .020" thickness, 1/2" wide and 28-3/4" in length. The .020" thickness reduces blade fatigue and provide maximum tooth life. To maximum cutting life, use a blade with correct pitch (teeth per inch) for the specific cutting job.

Blade are available in several pitches. To select the proper blade, three factors should be considered: The size, shape, and type of material to be cut.

The following suggestions are for selecting the right blade for various cutting operations. Keep in mind that these are broad guide lines and that blade requirement vary depending upon specific size, shape and type of material to be cut.



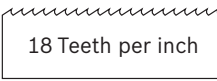
10 Teeth per inch

For tough stock 3/16" up to 3-1/4" in diameter or width.



14 Teeth per inch

For tough stock 5/32" up to 3/4" in diameter or width.



18 Teeth per inch

For thin-wall tubing and thin sheets heavier than 21 gauge.



24 Teeth per inch

For thin-wall tubing and thin sheets heavier than 21 gauge.

Generally, soft materials require coarse pitch blade and hard materials require fine pitch blades. Use coarse pitch blades for thick wood and fine pitch blades for thin work. It is important to keep at least three teeth in the cut (see "Typical Application".)

## Operating Instructions

**⚠ WARNING** Disconnect battery pack from tool before making any assembly, adjustments or changing accessories. Such preventive safety measures reduce the risk of starting the tool accidentally.

### ► Auxiliary Handle

The tool must be supported with the auxiliary handle (Fig. 1).

### ► LED Work Light

Your tool is equipped with a light that turns on automatically when the switch is activated for better visibility during operation.

The light is maintenance free and was designed to last the life of your tool (Fig. 1).

### ► Safety Switch

The safety switch is designed to prevent accidental starts. To operate safety switch, press the release button with your thumb on either side of handle to disengage the lock, then pull the trigger (Fig. 1). When the trigger is released the button will engage the safety switch automatically, and the trigger will no longer operate.

### ► Switch

**⚠ WARNING** When starting the tool, hold it with both hands. The torque from the motor can cause the tool to twist.

To turn tool "ON", squeeze the trigger switch. To turn the tool "OFF", release the trigger switch, which is spring loaded and will return to the off position automatically.

Your saw should be running at full speed BEFORE starting the cut, and turned off only AFTER completing the cut. To increase switch life, do not turn switch on and off while cutting.

### ► General Cuts

Always hold the saw handle with one hand and the auxiliary handle with the other (Fig. 4).

Maintain a firm grip and operate the

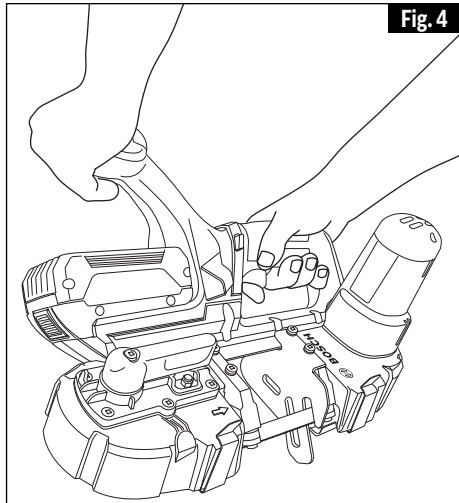


Fig. 4

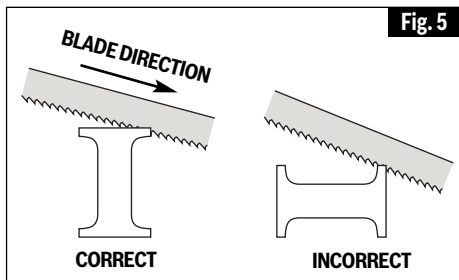


Fig. 5

switch with a decisive action. Never force the saw. Use light and continuous pressure.

### ► Typical Application

1. Keep the blade off the workpiece until the motor has reached full speed.
2. Start cutting on a surface where the greatest number of teeth will be in contact with the workpiece at one time (Fig. 5).
3. Place the material guide against the workpiece and lower the moving saw blade into the cut.
4. Do not apply pressure when cutting. The weight of the tool will supply adequate pressure for the fastest cutting.
5. When completing a cut, hold the tool firmly so it will not fall against the workpiece.

## Maintenance

**⚠ WARNING** To avoid accidents, always disconnect the battery pack from tool before servicing or cleaning.

### ► Storage

When storing the tool for a long period of time, turn the blade tension lock lever 90° clockwise to release blade tension (Chapter "REMOVING BLADE"). This will extend the life of the blade.

When returning the saw to operating mode, remember to turn blade tension lock lever 90° counter-clockwise to tighten the blade on the pulleys. Open the cover plate to inspect and make sure that the blade lies freely within the blade track before starting the saw. Close the cover plate. See chapter "INSTALLING BLADE" for more information.

### ► Service

**⚠ WARNING** NO USER SERVICE-ABLE PARTS INSIDE. Preventive maintenance performed by unauthorized personnel may result in misplacing of internal wires and components which could cause serious hazard. We recommend that all tool service be performed by a Bosch Factory Service Center or Authorized Bosch Service Station.

### ► Batteries

**Be alert for battery packs that are nearing their end of life.** If you notice decreased tool performance or significantly shorter running time between charges then it is time to replace the battery pack. Failure to do so can cause the tool to operate improperly or damage the charger.

### ► Tool Lubrication

Your Bosch tool has been properly lubricated and is ready for use.

### ► D.C. Motors

The motor in your tool has been engineered for many hours of dependable service. To maintain peak efficiency of the motor, we recommend it be examined every six months. Only a genuine Bosch replacement motor specially designed for your tool should be used.





### ► Cleaning

Ventilation openings and switch levers must be kept clean and free of foreign matter. Do not attempt to clean by inserting pointed objects through opening.

**⚠ CAUTION** Certain cleaning agents and solvents damage plastic parts. Some of these are: gasoline, carbon tetrachloride, chlorinated cleaning solvents, ammonia and household detergents that contain ammonia.

## Symboles relatifs à la sécurité

Les définitions ci-dessous décrivent le niveau de gravité pour chaque terme signalant un danger. Veuillez lire le mode d'emploi et lire la signification de ces symboles.

	C'est le symbole d'alerte relatif à la sécurité. Il est utilisé pour vous avertir de l'existence possible d'un danger de lésion corporelle. Obéissez à tous les messages relatifs à la sécurité qui suivent ce symbole pour éviter tout risque de blessure ou même de mort.
	DANGER indique une situation dangereuse qui, si elle n'est pas évitée, causera la mort d'une personne ou une blessure grave.
	AVERTISSEMENT indique une situation dangereuse qui, si elle n'est pas évitée, pourrait causer la mort d'une personne ou une blessure grave.
	MISE EN GARDE indique une situation dangereuse qui, si elle n'est pas évitée, causera une blessure légère ou modérée.

## Avertissements généraux concernant la sécurité des outils électroportatifs

**AVERTISSEMENT** Veuillez lire tous les avertissements et toutes les consignes de sécurité. Si l'on n'observe pas ces avertissements et ces consignes de sécurité, il existe un risque de choc électrique, d'incendie et/ou de blessures corporelles graves.

### CONSERVEZ TOUS LES AVERTISSEMENTS ET TOUTES LES CONSIGNES DE SÉCURITÉ POUR RÉFÉRENCE FUTURE.

Dans les avertissements, le terme « outil électroportatif » se rapporte à votre outil branché sur le secteur (avec fil) ou à votre outil alimenté par piles (sans fil).

### ► Sécurité du lieu de travail

**Maintenez le lieu de travail propre et bien éclairé.** Les risques d'accident sont plus élevés quand on travaille dans un endroit encombré ou sombre.

**N'utilisez pas d'outils électroportatifs dans des atmosphères explosives, comme par exemple en présence de gaz, de poussières ou de liquides inflammables.** Les outils électroportatifs produisent des étincelles qui risquent d'enflammer les poussières ou les vapeurs.

**Éloignez les enfants et les visiteurs quand vous vous servez d'un outil électroportatif.** Vous risquez une perte de contrôle si on vous distrait.

### ► Sécurité électrique

**Les fiches des outils électroportatifs doivent correspondre à la prise. Il ne faut absolument jamais modifier la fiche. N'utilisez pas d'adaptateur de prise avec des outils électroportatifs munis d'une fiche de terre.** Le risque de choc électrique est moindre si on utilise une fiche non modifiée

sur une prise qui lui correspond.

**Évitez tout contact du corps avec des surfaces reliées à la terre tels que tuyaux, radiateurs, gazinières ou réfrigérateurs.** Le risque de choc électrique augmente si votre corps est relié à la terre.

**N'exposez pas les outils électroportatifs à la pluie ou à l'humidité.** Si de l'eau pénètre dans un outil électroportatif, le risque de choc électrique augmente.

**Ne maltraitez pas le cordon. Ne vous en servez jamais pour transporter l'outil électroportatif, pour le tirer ou pour le débrancher.** Éloignez le cordon de la chaleur, des huiles, des arêtes coupantes ou des pièces mobiles. Les cordons abîmés ou emmêlés augmentent les risques de choc électrique.

**Si vous utilisez un outil électroportatif à l'extérieur, employez une rallonge conçue pour l'extérieur.** Ces rallonges sont faites pour l'extérieur et réduisent le risque de choc électrique.

**S'il est absolument nécessaire d'utiliser l'outil électroportatif dans un endroit humide, utilisez une alimentation protégée par un disjoncteur de fuite de terre (GFCI).**

## Avertissements généraux concernant la sécurité des outils électroportatifs

L'utilisation d'un disjoncteur GFCI réduit les risques de choc électrique.

### ► Sécurité personnelle

**Restez concentré, faites attention à ce que vous faites, et servez-vous de votre bon sens lorsque vous utilisez un outil électroportatif. N'employez pas d'outils électroportatifs quand vous êtes fatigué ou sous l'emprise de drogues, d'alcool ou de médicaments.** Quand on utilise des outils électroportatifs, il suffit d'un moment d'inattention pour causer des blessures corporelles graves.

**Utilisez des équipements de sécurité personnelle. Portez toujours une protection oculaire.** Le port d'équipements de sécurité tels que des masques antipoussières, des chaussures de sécurité antidérapantes, des casques de chantier et des protecteurs d'oreilles dans des conditions appropriées réduira le risque de blessure corporelle.

**Évitez les démarrages intempestifs. Assurez-vous que l'interrupteur est dans la position arrêt (Off) avant de brancher l'outil dans une prise de courant et/ou un bloc-piles, de le ramasser ou de le transporter.** Le transport d'un outil électroportatif avec le doigt sur la gâchette ou le branchement de cet outil quand l'interrupteur est en position de marche (ON) est une invite aux accidents.

**Enlevez toutes les clés de réglage avant de mettre l'outil électroportatif en marche.** Si on laisse une clé sur une pièce tournante de l'outil électroportatif, il y a risque de blessure corporelle.

**Ne vous penchez pas. Conservez toujours une bonne assise et un bon équilibre.** Ceci vous permettra de mieux maîtriser l'outil électroportatif dans des situations inattendues.

**Habilitez-vous de manière appropriée. Ne portez pas de vêtements amples ou de bijoux. Attachez les cheveux longs. N'approchez pas les cheveux, les vêtements ou les gants des pièces en mouvement.** Les vêtements amples, les bijoux ou les cheveux longs risquent d'être happés par les pièces en mouvement.

**Si l'outil est muni de dispositifs permettant le raccordement d'un système d'aspiration et de collecte des poussières, assurez-vous que ces dispositifs sont raccordés et utilisés correctement.** L'utilisation d'un dépoussiéreur peut réduire les dangers associés à l'accumulation de poussière.

### ► Utilisation et entretien des outils électroportatifs

**Ne forcez pas sur l'outil électroportatif. Utilisez l'outil électroportatif qui convient à la tâche à effectuer.** L'outil qui convient à la tâche fait un meilleur travail et est plus sûr à la vitesse pour lequel il a été conçu.

**Ne vous servez pas de l'outil électroportatif si son interrupteur ne parvient pas à le mettre en marche ou à l'arrêter.** Tout outil électroportatif qui ne peut pas être commandé par son interrupteur est dangereux et doit être réparé.

**Débranchez la fiche de la prise ou enlevez le bloc-pile de l'outil électroportatif avant tout réglage, changement d'accessoires ou avant de ranger l'outil électroportatif.** De telles mesures de sécurité préventive réduisent le risque de démarrage intempestif de l'outil électroportatif.

**Rangez les outils électroportatifs dont vous ne vous servez pas hors de portée des enfants et ne permettez pas à des personnes qui ne connaissent pas l'outil électroportatif ou qui ignorent ces consignes de s'en servir.** Les outils électroportatifs sont dangereux dans les mains d'utilisateurs inexpérimentés.

**Entretenez les outils électroportatifs. Vérifiez que les pièces mobiles sont alignées correctement et ne coïncent pas. Vérifiez qu'il n'y a pas de pièces cassées ou d'autre circonstance qui risquent d'affecter le fonctionnement de l'outil électroportatif. Si l'outil est abîmé, faites-le réparer avant de l'utiliser.** De nombreux accidents sont causés par des outils électroportatifs mal entretenus.

**Maintenez les outils coupants affûtés et propres.** Les outils coupants entretenus correctement et dotés de bords tranchants affûtés sont moins susceptibles de coincer et sont plus faciles à maîtriser.

**Utilisez l'outil électroportatif, les accessoires et les embouts d'outil, etc. conformément à ces instructions, en tenant compte des conditions de travail et des travaux à réaliser.** L'emploi d'outils électroportatifs pour des tâches différentes de celles pour lesquelles ils ont été prévus peut résulter en une situation dangereuse.

### ► Utilisation et entretien des outils à piles

**Rechargez les piles uniquement avec le chargeur spécifié par le fabricant. Un**

## Avertissements généraux concernant la sécurité des outils électroportatifs

chargeur qui convient à un type de bloc-piles peut entraîner un risque d'incendie quand il est utilisé avec un autre bloc-piles.

**Utilisez des outils électroportatifs uniquement avec les bloc-piles spécifiquement désignés pour eux.** L'utilisation de tout autre bloc-piles peut créer un risque de blessures et d'incendie.

**Lorsque le bloc-piles n'est pas utilisé, gardez-le à distances d'autres objets métalliques tels que des trombones, des pièces de monnaie, des clés, des clous, des vis ou de tout autre objet métallique pouvant faire une connexion entre une borne et une autre.** Court-circuiter les bornes des piles peut causer des brûlures ou un incendie.

**Dans des conditions abusives, du liquide peut être éjecté de la pile ; dans un tel cas, évitez tout contact avec ce liquide. Si un contact se produit accidentellement, rincez avec de l'eau. Si le liquide entre en contact avec les yeux, consultez un médecin.** Du liquide éjecté de la pile peut causer des irritations ou des brûlures.

### ► Entretien

**Faites réparer votre outil électroportatif par un agent de service qualifié n'utilisant que des pièces de rechange identiques.** Ceci assure que la sécurité de l'outil électroportatif est préservée.

## Consignes de sécurité pour les scies à ruban sans fil

**Tenez l'outil électroportatif par ses surfaces de préhension isolées lorsque vous effectuez une opération à l'occasion de laquelle l'accessoire de coupe risque d'entrer en contact avec un fil caché.** Tout contact de l'accessoire de coupe avec un fil sous tension risque de mettre aussi sous tension les parties métalliques exposées de l'outil électroportatif, ce qui pourrait causer un choc électrique pour l'opérateur.

**Utilisez des brides ou d'autres moyens pratiques de brider ou de supporter la pièce sur une plate-forme stable.** Tenir la pièce à la main ou contre le corps est instable et risque de résulter en une perte de contrôle.

**Il importe de bien assujettir la pièce sur laquelle vous travaillez. Ne la tenez jamais dans votre main ou sur vos jambes.** Les pièces minces et plus petites peuvent fléchir ou vibrer avec la lame, risquant ainsi de vous faire perdre le contrôle.

**N'utilisez pas une lame endommagée.** Avant chaque emploi, inspectez la lame pour vous assurer qu'elle n'est pas fissurée, ébréchée ou endommagée d'une quelconque autre façon.

**N'appliquez pas de lubrifiants ou d'huile de coupe sur la lame de cet outil.** La lubrification causerait le glissement de la lame à l'intérieur de l'outil.

**Essuyez tout excédent d'huile pouvant se trouver sur l'ouvrage avant de couper.** La lubrification causerait le glissement de la lame à l'intérieur de l'outil.

**Tenez la scie fermement pour éviter toute perte de contrôle.** Les figures de ce manuel illustrent un support manuel type de la scie.

**Gardez les mains à l'écart de la zone de**

**coupe. Ne placez surtout pas la main sous le matériau que vous coupez.** Il est impossible de déterminer exactement la proximité de la lame de votre main.

**Ne mettez pas les mains entre la lame et le guide du matériau.** Commencez toujours à couper avec l'ouvrage placé sur le guide du matériau. Lorsque l'outil commence à fonctionner, l'ouvrage est attiré par le guide du matériau et il risquerait alors de vous pincer les doigts.

**Avant de commencer à couper, mettez l'outil en marche et laissez la lame atteindre sa vitesse de fonctionnement normale.** L'outil risque de trembler ou de vibrer si la vitesse de la lame est trop lente au début de l'opération de coupe.

**Ne touchez pas la lame ou l'ouvrage immédiatement après l'opération.** La lame et l'ouvrage seront très chauds.

**En retirant la lame de l'outil, évitez le contact avec la peau et utilisez des gants protecteurs appropriés en saisissant la lame ou l'accessoire.** Les accessoires peuvent être chauds après un usage prolongé.

**Ne laissez pas la lame se coincer et n'appliquez pas une pression excessive sur l'outil lorsque vous coupez.** Une pression excessive sur la lame accroît la charge et augmente le risque que la lame se torde ou se bloque dans l'orifice de coupe, ce qui produit un risque plus élevé de rupture de la lame.

**N'utilisez pas la scie si la plaque de recouvrement n'est pas sécurisée sur la scie.** Tout contact avec une pièce en mouvement pourrait entraîner une blessure grave.

## Avertissements supplémentaires concernant la sécurité

L'emploi d'un GFCI et de dispositifs de protection personnelle tels que gants et chaussures d'électricien en caoutchouc améliorent votre sécurité personnelle.

**Maintenez les poignées sèches et exemptes d'huile et de graisse.** On ne peut pas maîtriser un outil électroportatif en toute sécurité quand on a les mains glissantes.

**Créez un agenda d'entretien périodique pour votre outil. Quand vous nettoyez un outil, faites attention de n'en démonter aucune pièce car il est toujours possible de mal remonter ou de pincer les fils internes ou de remonter incorrectement les ressorts de rappel des capots de protection.** Certains agents de nettoyage tels que l'essence, le tétrachlorure de carbone, l'ammoniaque, etc. risquent d'abîmer les plastiques.

**Veillez à ce que l'interrupteur soit dans la position de fermeture avant d'insérer le bloc-piles.** L'insertion d'un bloc-piles dans un outil électroportatif dont l'interrupteur est dans la position de marche est une invite aux accidents.





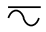


**⚠ AVERTISSEMENT** Les travaux à la machine tel que ponçage, sciage, meulage, perçage et autres travaux du bâtiment peuvent créer des poussières contenant des produits chimiques qui sont des causes reconnues de cancer, de malformation congénitale ou d'autres problèmes reproductifs. Ces produits chimiques sont, par exemple :

- Le plomb provenant des peintures à base de plomb,
- Les cristaux de silices provenant des briques et du ciment et d'autres produits de maçonnerie, et
- L'arsenic et le chrome provenant des bois traités chimiquement.

Le niveau de risque dû à cette exposition varie avec la fréquence de ces types de travaux. Pour réduire l'exposition à ces produits chimiques, il faut travailler dans un lieu bien ventilé et porter un équipement de sécurité approprié tel que certains masques à poussière conçus spécialement pour filtrer les particules microscopiques.

## Symboles












**Important :** Certains des symboles suivants peuvent être utilisés sur votre outil. Veuillez les étudier et apprendre leur signification. Une interprétation appropriée de ces symboles vous permettra d'utiliser l'outil de façon plus efficace et plus sûre.

Symbole	Désignation / Explication
V	Volts (tension)
Ah	Ampères/heure (mesure de la capacité de la pile)
A	Ampères (courant)
Hz	Hertz (fréquence, cycles par seconde)
W	Watt (puissance)
kg	Kilogrammes (poids)
min	Minutes (temps)
s	Secondes (temps)
∅	Diamètre (taille des mèches de perceuse, meules, etc.)
$n_0$	Vitesse à vide (vitesse de rotation, à vide)
$n$	Vitesse nominale (vitesse maximum pouvant être atteinte)
.../min	Tours ou mouvement alternatif par minute (tours, coups, vitesse en surface, orbites, etc., par minute)
0	Position d'arrêt (vitesse zéro, couple zéro ...)
1, 2, 3, ... I, II, III,	Réglages du sélecteur (Réglages de vitesse, de couple ou de position. Un nombre plus élevé signifie une vitesse plus grande)
	Sélecteur variable à l'infini avec arrêt (La vitesse augmente depuis le réglage 0)
	Flèche (action dans la direction de la flèche)
	Courant alternatif (type ou caractéristique du courant)
	Courant continu (type ou caractéristique du courant)
	Courant alternatif ou continu (type ou caractéristique du courant)
	Construction classe II (désigne des outils construits avec double isolation)
	Borne de terre (borne de mise à la terre)



## Symboles

**Important :** Certains des symboles suivants peuvent être utilisés sur votre outil. Veuillez les étudier et apprendre leur signification. Une interprétation appropriée de ces symboles vous permettra d'utiliser l'outil de façon plus efficace et plus sûre.

Symbole	Désignation / Explication
	Alerte l'utilisateur pour lire le mode d'emploi
	Alerte l'utilisateur pour porter des lunettes de sécurité
	Ce symbole signifie que cet outil est approuvé par Underwriters Laboratories.
	Ce symbole indique que ce composant est reconnu par Underwriters Laboratories.
	Ce symbole signifie que cet outil est approuvé par Underwriters Laboratories selon les normes des États-Unis et du Canada.
	Ce symbole signifie que cet outil est approuvé par l'Association canadienne de normalisation.
	Ce symbole signifie que cet outil est approuvé par l'Association canadienne de normalisation selon les normes des États-Unis et du Canada.
	Ce symbole signifie que cet outil est approuvé par Intertek Testing Services selon les normes des États-Unis et du Canada
	Ce symbole signifie que cet outil se conforme aux normes mexicaines NOM.
	Désigne le programme de recyclage des piles Li-ion.
	Désigne le programme de recyclage des piles Ni-Cad.

## Description fonctionnelle et spécifications

**AVERTISSEMENT** Débranchez le bloc-piles de l'outil avant d'effectuer tout assemblage ou réglage, ou de changer des accessoires. Ces mesures de sécurité préventives réduisent le risque d'une mise en marche accidentelle de l'outil.

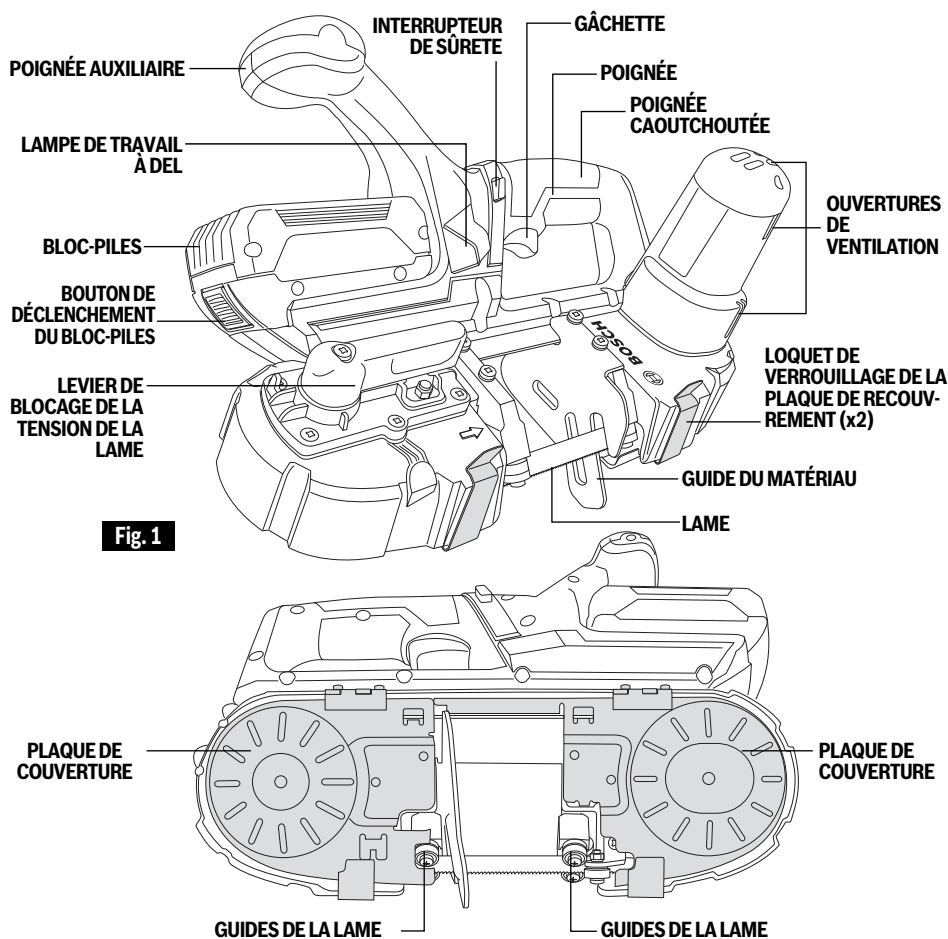


Fig. 1

Scie à ruban sans fil GCB18V-2	
	Tension nominale 18 V
	Régime à vide ( $n_0$ ) 530/min (piéd de surface par minute)
	Taille de la lame 28-7/8 po x 1/2 po x .020 po
Capacités	Modèle rond 2-1/2 po
	Rectangulaire 2-1/2 x 2-1/2 po
Température ambiante autorisée	- pendant la charge 32...113 °F (0...+45 °C)
	- pendant le fonctionnement -4...122 °F (-20...+50 °C)
	- pendant le stockage 32...122 °F (0...+50 °C)

### Bloc-piles/chargeurs

Veillez vous référer à la liste des piles/chargeurs accompagnant votre outil.

## Assemblage

**⚠ AVERTISSEMENT** Débranchez le bloc-piles de l'outil avant d'effectuer tout assemblage ou réglage, ou de changer des accessoires. Ces mesures de sécurité préventives réduisent le risque d'une mise en marche accidentelle de l'outil.

### ► Insertion et retrait du bloc-piles

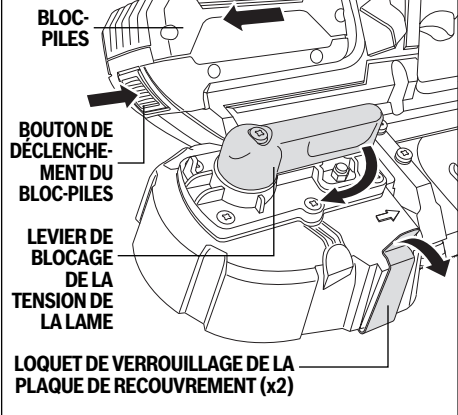
Votre outil est muni d'un loquet de verrouillage secondaire qui empêche le bloc-piles de se séparer complètement de la poignée et de tomber au cas où il viendrait à se décrocher à cause des vibrations.

Pour retirer le bloc-piles, appuyez sur le bouton de déclenchement du bloc-piles et faites glisser le bloc-piles vers l'avant. Appuyez une fois de plus sur le bouton de déclenchement du bloc-piles et faites glisser le bloc-piles jusqu'à ce qu'il sorte complètement du bâti de l'outil (Fig. 2).

### ► Retrait de la lame

1. Placez la scie sur une surface plate et robuste. Faites tourner le levier de verrouillage de la tension de la lame de 180° dans le sens des aiguilles

Fig. 2

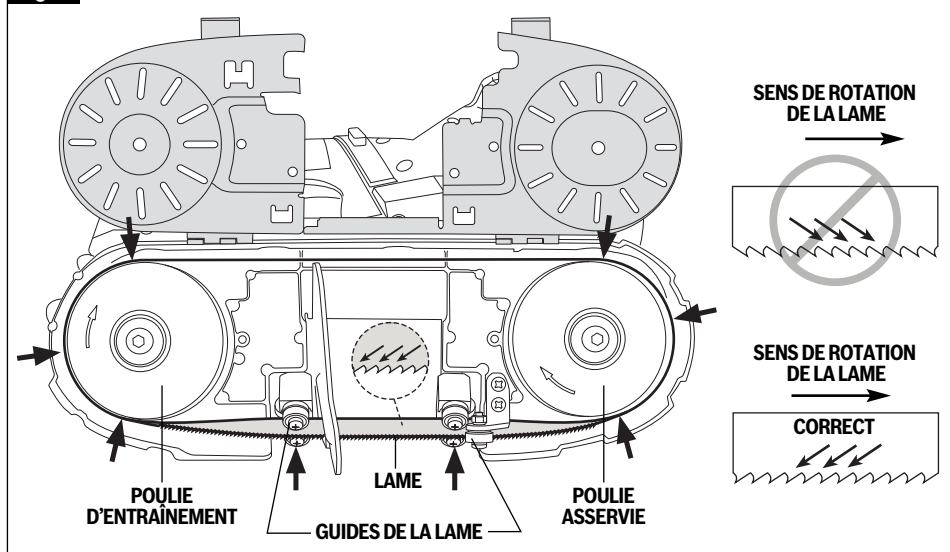


d'une montre pour réduire la tension de la lame (Fig. 2).

2. Relâchez les loquets de verrouillage de la plaque de recouvrement et ouvrez complètement cette dernière. (Fig. 2 et 3).
3. Tirez sur la lame pour la faire sortir des dispositifs de guidage et retirez la lame des poulies (Fig. 3).

### ► Installation de la lame

Fig. 3



## Assemblage

1. Appuyez fermement sur la lame pour l'installer entre les dispositifs de guidage et acheminez la lame autour des poulies. **Remarque** : assurez-vous que les dents sont orientées vers le haut et pointent dans la même direction que la flèche de sens de rotation (Fig. 3).
2. Faites tourner le levier de verrouillage de la tension de la lame de 180° dans le sens contraire des aiguilles d'une montre pour serrer la lame sur les poulies (Fig. 2).
3. Assurez-vous que la lame repose librement sur la piste prévue pour la lame avant de mettre la scie en marche.
4. Fermez la plaque de recouvrement.

### ► Lames et sélection des lames

Les dimensions de la lame qui sont requises pour cette scie sont les suivantes : 0,20 po d'épaisseur, 1/2 po de large et 28 3/4 po de long. L'épaisseur de 0,20 po réduit la fatigue de la lame et assure la durée de vie maximum des dents. Pour assurer la durée de coupe maximum, utilisez une lame avec le pas (nombre de dents par pouce ou unité de longueur) approprié en fonction de l'opération de coupe.

Les lames sont disponibles en plusieurs pas. Il faut tenir compte de trois facteurs pour sélectionner la lame

appropriée : la taille, la forme et le type de matériau à couper.

Voici quelques suggestions pour sélectionner la lame correcte en fonction de l'opération de coupe désirée. N'oubliez pas qu'il s'agit de suggestions très générales et que les spécifications idéales pour la lame varient selon la taille, la forme et le type spécifiques des matériaux à couper.

10 dents par pouce

Pour les matériaux difficiles de 3/16 po à 3 1/4 po de diamètre ou de largeur

14 dents par pouce

Pour les matériaux difficiles de 5/32 po à 3/4 po de diamètre ou de largeur

18 dents par pouce

Pour les tubes à paroi mince et les feuilles minces de calibre supérieur à 21

24 dents par pouce

Pour les tubes à paroi mince et les feuilles minces supérieur à 21

En règle générale, les matériaux souples nécessitent une lame avec peu de dents par unité de longueur alors que les matériaux durs nécessitent une lame avec des dents serrées. Utilisez des lames du premier type pour couper du bois épais et des lames du second type pour couper du bois de faible épaisseur. Il est important qu'il y ait au moins trois dents dans la coupe (voir « Application type »).

## Consignes de fonctionnement

**⚠ AVERTISSEMENT** **Débranchez le bloc-piles de l'outil avant d'effectuer tout assemblage ou réglage, ou de changer des accessoires.** Ces mesures de sécurité préventives réduisent le risque d'une mise en marche accidentelle de l'outil.

### ► Poignée auxiliaire

L'outil doit être soutenu au moyen de la poignée auxiliaire (Fig. 1).

### ► Lampe de travail à del

Votre outil est muni d'une lampe qui s'allume automatiquement quand l'interrupteur est activé pour assurer une meilleure visibilité pendant l'opération de coupe.

Cette lampe ne nécessite aucune maintenance et a été conçue pour durer aussi longtemps que votre outil (Fig. 1).

### ► Interrupteur de sûreté

L'interrupteur de sûreté est conçu de manière à prévenir les démarrages accidentels. Pour actionner l'interrupteur de sûreté, appuyez sur le

## Consignes de fonctionnement

bouton de relâchement avec votre pouce d'un côté ou de l'autre de la poignée afin de déverrouiller, puis tirez la gâchette (Fig. 1). Lorsque la gâchette est relâchée, le bouton engage automatiquement l'interrupteur de sûreté, et la gâchette n'est plus en fonction.

### ► Interrupteur

**⚠ AVERTISSEMENT** À la mise en marche, tenez l'outil à deux mains. Le couple du moteur risque de le renverser.

Appuyez sur la gâchette pour mettre l'outil en marche ; relâchez-la pour l'arrêter. La gâchette retourne automatiquement à la position d'arrêt.

La scie devrait tourner à plein régime AVANT de commencer à scier et elle ne devrait être arrêtée qu'APRÈS avoir terminé la coupe. Pour prolonger la durée utile de l'interrupteur, évitez de mettre le moteur en marche et de l'arrêter en sciant.

### ► Coupes régulières

Tenez toujours la poignée de la scie d'une main et la poignée auxiliaire ou le logement de l'autre main (Fig. 4).

Serrez-la fermement et actionnez l'interrupteur énergiquement. Ne forcez jamais la scie outre mesure. Exercez une pression modérée et soutenue.

### ► Application type

1. Ne mettez pas la lame en contact avec l'ouvrage avant que le moteur n'ait atteint sa vitesse de fonctionnement normale.
2. Commencez à couper sur une surface où le nombre de dents le plus élevé sera en contact avec l'ouvrage à un moment donné (Fig. 5).
3. Placez le guide du matériau contre l'ouvrage et abaissez la lame de scie en mouvement pour commencer à couper.
4. N'appliquez pas de pression pendant que vous coupez. Le poids de l'outil sera suffisant pour faire pression adéquatement afin d'assurer la coupe la plus rapide possible.

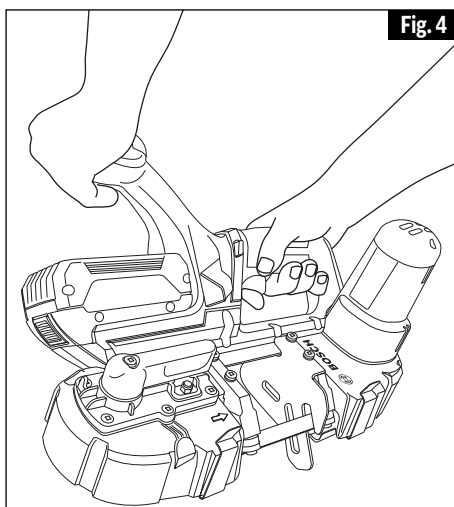


Fig. 4

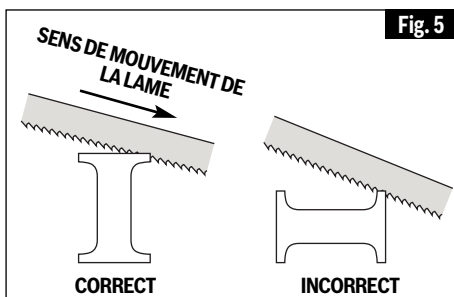


Fig. 5

5. Après que vous avez terminé une opération de coupe, tenez fermement l'outil pour qu'il ne retombe pas sur l'ouvrage.

## Entretien

**⚠ AVERTISSEMENT** Pour éviter les accidents, débranchez toujours le bloc-piles de l'outil avant toute opération de maintenance ou de nettoyage.

### ► Stockage

Après une période d'inutilisation prolongée de l'outil, faites tourner le levier de verrouillage de la tension de la lame de 90° dans le sens des aiguilles d'une montre pour réduire la tension de la lame (Chapitre « RETRAIT DE LA LAME »). Ceci prolongera la durée de vie de la lame.

Lorsque vous remettez la scie dans le mode de fonctionnement, souvenez-vous de faire tourner le levier de verrouillage de la tension de la lame de 90° dans le sens contraire des aiguilles d'une montre pour serrer la lame sur les poulies. Ouvrez la plaque de recouvrement pour effectuer une inspection et vous assurer que la lame repose librement sur la piste prévue pour la lame avant de mettre la scie en marche. Fermez la plaque de recouvrement. Référez-vous au chapitre « INSTALLATION DE LA LAME » pour plus d'informations.

### ► Service

**⚠ AVERTISSEMENT** IL N'EXISTE AUCUNE PIÈCE SUSCEPTIBLE D'ÊTRE ENTRETENUE PAR L'UTILISATEUR. L'entretien préventif exécuté par des personnes non autorisées peut entraîner un positionnement erroné des composants et des fils internes, ce qui peut présenter de graves dangers. Nous recommandons de confier toute intervention d'entretien sur l'outil à un centre de service-usine Bosch ou à un centre de service après-vente Bosch agréé.

### ► Piles

**Faire attention aux blocs-piles qui approchent la fin de leur vie.** Si vous remarquez une diminution dans les performances de votre outil ou une durée de fonctionnement réduite de manière significative entre charges, il

est temps de remplacer le bloc-piles. S'il n'est pas remplacé, il se peut qu'il endommage le chargeur ou que l'outil fonctionne incorrectement.

### ► Graissage de l'outil

Votre outil Bosch a été graissé de manière appropriée et il est prêt à l'usage.

### ► Moteurs C.C.

Le moteur de votre outil a été conçu pour de nombreuses heures d'utilisation fiable. Pour maintenir l'efficacité maximale du moteur, nous recommandons de l'examiner tous les six mois. Seul un moteur de remplacement Bosch authentique, conçu spécialement pour votre outil, doit être utilisé.





### ► Nettoyage

**⚠ MISE EN GARDE** Certains agents de nettoyage et certains dissolvants abîment les pièces en plastique. Parmi ceux-ci se trouvent: l'essence, le tétrachlorure de carbone, les dissolvants de nettoyage chlorés, l'ammoniaque ainsi que les détergents domestiques qui en contiennent.

Les prises d'air et les leviers de commutation doivent être gardés propres et exempts de corps étrangers. Ne tentez pas de nettoyer en insérant des objets pointus à travers l'ouverture.

## Símbolos de seguridad

Las definiciones que aparecen a continuación describen el nivel de gravedad de cada palabra de señal de seguridad. Por favor, lea el manual y preste atención a estos símbolos.

	Éste es el símbolo de alerta de seguridad. Se utiliza para alertarle a usted de posibles peligros de lesiones corporales. Obedezca todos los mensajes de seguridad que sigan a este símbolo para evitar posibles lesiones o muerte.
	PELIGRO indica una situación peligrosa que, si no se evita, causará la muerte o lesiones graves.
	ADVERTENCIA indica una situación peligrosa que, si no se evita, podría causar la muerte o lesiones graves.
	PRECAUCIÓN indica una situación peligrosa que, si no se evita, podría causar lesiones leves o moderadas.

## Advertencias generales de seguridad para herramientas mecánicas

**ADVERTENCIA** Lea todas las advertencias de seguridad y todas las instrucciones. Si no se siguen las advertencias e instrucciones, el resultado podría ser sacudidas eléctricas, incendio y/o lesiones graves.

### GUARDE TODAS LAS ADVERTENCIAS E INSTRUCCIONES PARA REFERENCIA FUTURA

La expresión “herramienta mecánica” en las advertencias se refiere a su herramienta mecánica alimentada por la red eléctrica (herramienta alámbrica) o su herramienta mecánica alimentada por baterías (herramienta inalámbrica).

#### ► Seguridad del área de trabajo

**Mantenga el área de trabajo limpia y bien iluminada.** Las áreas desordenadas u oscuras invitan a que se produzcan accidentes.

**No utilice herramientas mecánicas en atmósferas explosivas, como por ejemplo en presencia de líquidos, gases o polvos inflamables.** Las herramientas mecánicas generan chispas que pueden incendiar el polvo o los vapores.

**Mantenga alejados a los niños y a las personas que estén presentes mientras esté utilizando una herramienta mecánica.** Las distracciones pueden hacerle perder el control de la herramienta.

#### ► Seguridad eléctrica

**Los enchufes de las herramientas mecánicas deben coincidir con el tomacorriente. No modifique nunca el enchufe de ningún modo. No use enchufes adaptadores con herramientas mecánicas conectadas a tierra (puestas a tierra).** Los enchufes no modificados y los tomacorrientes coincidentes reducirán el riesgo de sacudidas eléctricas.

**Evite el contacto del cuerpo con las**

**superficies conectadas o puestas a tierra, tales como tuberías, radiadores, estufas y refrigeradores.** Hay un aumento del riesgo de sacudidas eléctricas si el cuerpo del operador se conecta o pone a tierra.

**No exponga las herramientas mecánicas a la lluvia o a condiciones mojadas.** La entrada de agua en una herramienta mecánica aumentará el riesgo de que se produzcan sacudidas eléctricas.

**No maltrate el cordón de energía. No use nunca el cordón para transportar la herramienta mecánica, tirar de ella o desenchufarla. Mantenga el cordón alejado del calor, el aceite, los bordes afilados o las piezas móviles.** Los bordes dañados o enganchados aumentan el riesgo de que se produzcan sacudidas eléctricas.

**Cuando utilice una herramienta mecánica en el exterior, use un cordón de extensión adecuado para uso a la intemperie.** La utilización de un cordón adecuado para uso a la intemperie reduce el riesgo de que se produzcan sacudidas eléctricas.

**Si es inevitable utilizar una herramienta mecánica en un lugar húmedo, utilice una fuente de energía protegida por un interruptor de circuito accionado por corriente de pérdida a tierra (GFCI).** El uso

## Advertencias generales de seguridad para herramientas mecánicas

de un GFCI reduce el riesgo de sacudidas eléctricas.

### ► Seguridad personal

**Manténgase alerta, fíjese en lo que está haciendo y use el sentido común cuando esté utilizando una herramienta mecánica. No use una herramienta mecánica cuando esté cansado o bajo la influencia de drogas, alcohol o medicamentos.** Un momento de distracción mientras esté utilizando herramientas mecánicas podría causar lesiones corporales graves.

**Use equipo de protección personal. Use siempre protección de los ojos.** El equipo de protección, como por ejemplo una máscara antipolvo, calzado de seguridad antideslizante, casco o protección de oídos, utilizado para las condiciones apropiadas, reducirá las lesiones corporales.

**Evite el arranque accidental. Asegúrese de que el interruptor esté en la posición de apagado antes de conectar la herramienta a la fuente de energía y / o al paquete de batería, levantar la herramienta o transportarla.** Transportar herramientas mecánicas con un dedo en el interruptor o encender herramientas mecánicas que tengan el interruptor en la posición de encendido invita a que se produzcan accidentes.

**Quite todas las llaves de ajuste o de tuerca antes de encender la herramienta mecánica.** Una llave de tuerca o de ajuste que se deje colocada en una pieza giratoria de la herramienta mecánica podría causar lesiones corporales.

**No intente alcanzar demasiado lejos. Mantenga un apoyo de los pies y un equilibrio apropiados en todo momento.** Esto permite controlar mejor la herramienta mecánica en situaciones inesperadas.

**Vístase adecuadamente. No use ropa holgada ni alhajas holgadas. Mantenga el pelo, la ropa y los guantes alejados de las piezas móviles.** La ropa holgada, las alhajas holgadas o el pelo largo pueden quedar atrapados en las piezas móviles.

**Si se proporcionan dispositivos para la conexión de instalaciones de extracción y recolección de polvo, asegúrese de que dichas instalaciones estén conectadas y se usen correctamente.** El uso de dispositivos de recolección de polvo puede reducir los peligros relacionados con el polvo.

### ► Uso y cuidado de las herramientas mecánicas

**No fuerce la herramienta mecánica. Use la herramienta mecánica correcta para la aplicación que desee realizar.** La herramienta mecánica correcta hará el trabajo mejor y con más seguridad a la capacidad nominal para la que fue diseñada.

**No use la herramienta mecánica si el interruptor no la enciende y apaga.** Toda herramienta mecánica que no se pueda controlar con el interruptor es peligrosa y debe ser reparada.

**Desconecte el enchufe de la fuente de energía y/o el paquete de batería de la herramienta mecánica antes de hacer cualquier ajuste, cambiar accesorios o almacenar herramientas mecánicas.** Dichas medidas preventivas de seguridad reducen el riesgo de arrancar accidentalmente la herramienta mecánica.

**Guarde las herramientas que no esté usando fuera del alcance de los niños y no deje que personas que no estén familiarizadas con la herramienta mecánica o con estas instrucciones utilicen la herramienta.** Las herramientas mecánicas son peligrosas en manos de usuarios que no hayan recibido capacitación.

**Mantenga las herramientas mecánicas. Compruebe si hay piezas móviles desalineadas o que se atoran, si hay piezas rotas y si existe cualquier otra situación que podría afectar el funcionamiento de la herramienta mecánica. Si la herramienta mecánica está dañada, haga que la reparen antes de usarla.** Muchos accidentes son causados por herramientas mecánicas mantenidas deficientemente.

**Mantenga las herramientas de corte afiladas y limpias.** Es menos probable que las herramientas de corte mantenidas apropiadamente, con bordes de corte afilados, se atoren, y dichas herramientas son más fáciles de controlar.

**Utilice la herramienta mecánica, los accesorios, las brocas de la herramienta, etc., de acuerdo con estas instrucciones, teniendo en cuenta las condiciones de trabajo y el trabajo que se vaya a realizar.** El uso de la herramienta mecánica para operaciones distintas a aquéllas para las que fue diseñada podría causar una situación peligrosa.



## Advertencias generales de seguridad para herramientas mecánicas

### ► Uso y cuidado de las herramientas alimentadas por baterías

**Recargue las baterías solamente con el cargador especificado por el fabricante.** Un cargador que es adecuado para un tipo de paquete de batería puede crear un riesgo de incendio cuando se utiliza con otro paquete de batería.

**Utilice las herramientas mecánicas solamente con paquetes de batería designados específicamente.** El uso de cualquier otro paquete de batería puede crear un riesgo de lesiones e incendio.

**Cuando el paquete de batería no se esté usando, manténgalo alejado de otros objetos metálicos, tales como sujetapapeles, monedas, llaves, clavos, tornillos u otros objetos metálicos pequeños que pueden hacer una conexión de un terminal a otro.** Si

se cortocircuitan los terminales de la batería uno con otro, se pueden causar quemaduras o un incendio.

**En condiciones abusivas, es posible que se eyecte líquido de la batería. Evite el contacto. Si se produce un contacto accidental, enjuáguese con agua. Si el líquido entra en contacto con los ojos, obtenga además ayuda médica.** El líquido que salga eyectado de la batería puede causar irritación o quemaduras.

### ► Servicio de ajustes y reparaciones

**Haga que su herramienta mecánica reciba servicio de un técnico de reparaciones calificado, utilizando únicamente piezas de repuesto idénticas.** Esto asegurará que se mantenga la seguridad de la herramienta mecánica.

## Normas de seguridad para sierras de cinta inalámbricas

**Agarre la herramienta eléctrica por las superficies de agarre con aislamiento cuando realice una operación en la que el accesorio de corte pueda entrar en contacto con cables ocultos.** El accesorio de corte que entre en contacto con un cable que tenga corriente puede hacer que las partes metálicas de la herramienta eléctrica que estén al descubierto tengan corriente y podrían causar una descarga eléctrica al operador.

**Use abrazaderas u otro modo práctico de sujetar y soportar la pieza de trabajo en una plataforma estable.** Si se sujeta la pieza de trabajo con la mano o contra el cuerpo, se crea una situación inestable que podría causar pérdida de control.

**Fije el material antes de cortar. Nunca lo tenga en la mano ni sobre las piernas.** El material pequeño o delgado puede curvarse o vibrar con la hoja, causando pérdida de control.

**No utilice una hoja dañada.** Antes de cada uso inspeccione la hoja para determinar si tiene grietas, está astillada o presenta otros daños. Reemplace de inmediato una hoja si está dañada.

**No aplique lubricantes de corte ni aceite a la hoja de esta herramienta.** La lubricación hará que la hoja resbale dentro de la herramienta.

**Quite con un paño el exceso de aceite de la pieza de trabajo antes de cortarla.** La

lubricación hará que la hoja resbale dentro de la herramienta.

**Sostenga la sierra firmemente para evitar perder el control.** Las figuras de este manual ilustran la forma típica de sostener la sierra.

**Mantenga las manos alejadas del área de corte. No ponga la mano debajo del material que se está cortando.** La proximidad de la hoja a la mano queda oculta a la vista.

**Mantenga las manos alejadas de entre la hoja y la guía para el material.** Comience siempre el corte con la pieza de trabajo sobre la guía para el material. Cuando la herramienta se ponga en marcha, la pieza de trabajo será jalada hacia la guía para el material y puede pellizcar los dedos del operador.

**Antes de comenzar el corte, encienda la herramienta y deje que la hoja alcance toda su velocidad.** La herramienta puede chirriar o vibrar si la velocidad de la hoja es demasiado lenta al comienzo del corte.

**No toque la hoja ni la pieza de trabajo inmediatamente después de la operación.** La hoja y la pieza de trabajo estarán calientes.

**Al quitar la hoja de la herramienta, evite el contacto con la piel y use guantes protectores adecuados al agarrar la hoja o el accesorio.** Los accesorios pueden estar calientes después del uso prolongado.

## Normas de seguridad para sierras de cinta inalámbricas

**No “atore” la hoja ni aplique una presión excesiva a la herramienta cuando corte.** Si se aplica una presión excesiva a la hoja se aumenta la carga y la susceptibilidad de girar o atorar la hoja en el corte, así como y

la posibilidad de rotura de la misma.

**No utilice la sierra sin la placa de cubierta sujeta a ella.** Es posible que el contacto con las piezas móviles cause lesiones corporales graves.

## Advertencias de seguridad adicionales

Un GFCI y los dispositivos de protección personal, como guantes de goma y calzado de goma de electricista, mejorarán más su seguridad personal.

**Mantenga los mangos secos, limpios y libres de aceite y grasa.** Las manos resbalosas no pueden controlar de modo seguro la herramienta mecánica.

**Desarrolle un programa de mantenimiento periódico de la herramienta. Cuando limpie una herramienta, tenga cuidado de no desmontar ninguna de sus partes, ya que los cables internos podrían reubicarse incorrectamente o pellizcarse, o los resortes de retorno de los protectores de seguridad podrían montarse incorrectamente.** Ciertos agentes de limpieza, tales como gasolina, tetracloruro de carbono, amoníaco, etc., podrían dañar las piezas de plástico.

**Asegúrese de que el interruptor esté en la posición de apagado antes de introducir el paquete de batería.** Si se introduce el paquete de batería en herramientas mecánicas que tengan el interruptor en la posición de encendido, se invita a que se produzcan accidentes.





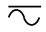


**⚠ ADVERTENCIA** Cierta **polvo generado por el lijado, aserrado, amolado y taladrado mecánicos, y por otras actividades de construcción, contiene agentes químicos que se sabe que causan cáncer, defectos de nacimiento u otros daños sobre la reproducción. Algunos ejemplos de estos agentes químicos son:**

- Plomo de pinturas a base de plomo,
- Sílice cristalina de ladrillos y cemento y otros productos de mampostería, y
- Arsénico y cromo de madera tratada químicamente.

Su riesgo por causa de estas exposiciones varía, dependiendo de con cuánta frecuencia realice este tipo de trabajo. Para reducir su exposición a estos agentes químicos: trabaje en un área bien ventilada y trabaje con equipo de seguridad aprobado, como por ejemplo máscaras antipolvo que estén diseñadas especialmente para impedir mediante filtración el paso de partículas microscópicas.

## Símbolos

**Importante:** Es posible que algunos de los símbolos siguientes se usen en su herramienta. Por favor, estúdielos y aprenda su significado. La interpretación adecuada de estos símbolos le permitirá utilizar la herramienta mejor y con más seguridad.

Símbolo	Désignación / Explicación
V	Volt (tensión)
Ah	Amperios-hora (medición de la capacidad de la batería)
A	Ampere (corriente)
Hz	Hertz (frecuencia, ciclos por segundo)
W	Watt (potencia)
kg	Kilogramo (peso)
min	Minuto (tiempo)
s	Segundo (tiempo)
∅	Diámetro (tamaño de las brocas taladradoras, muelas, etc)
$n_0$	Velocidad sin carga (velocidad rotacional sin carga)
n	Velocidad nominal (máxima velocidad obtenible)
.../min	Revoluciones o alternación por minuto (revoluciones, golpes, velocidad de superficie, órbitas, etc., por minuto)
0	Posición "off" (velocidad cero, par motor cero...)
1, 2, 3, ... I, II, III,	Graduaciones del selector (graduaciones de velocidad, par motor o posición. Un número más alto significa mayor velocidad)
	Selector infinitamente variable con apagado (la velocidad aumenta desde la graduación de 0)
	Flecha (Acción en la dirección de la flecha)
	Corriente alterna (tipo o una característica de corriente)
	Corriente continua (tipo o una característica de corriente)
	Corriente alterna o continua (tipo o una característica de corriente)
	Construcción de clase II (designa las herramientas de construcción con aislamiento doble)
	Terminal de toma de tierra (terminal de conexión a tierra)

## Símbolos

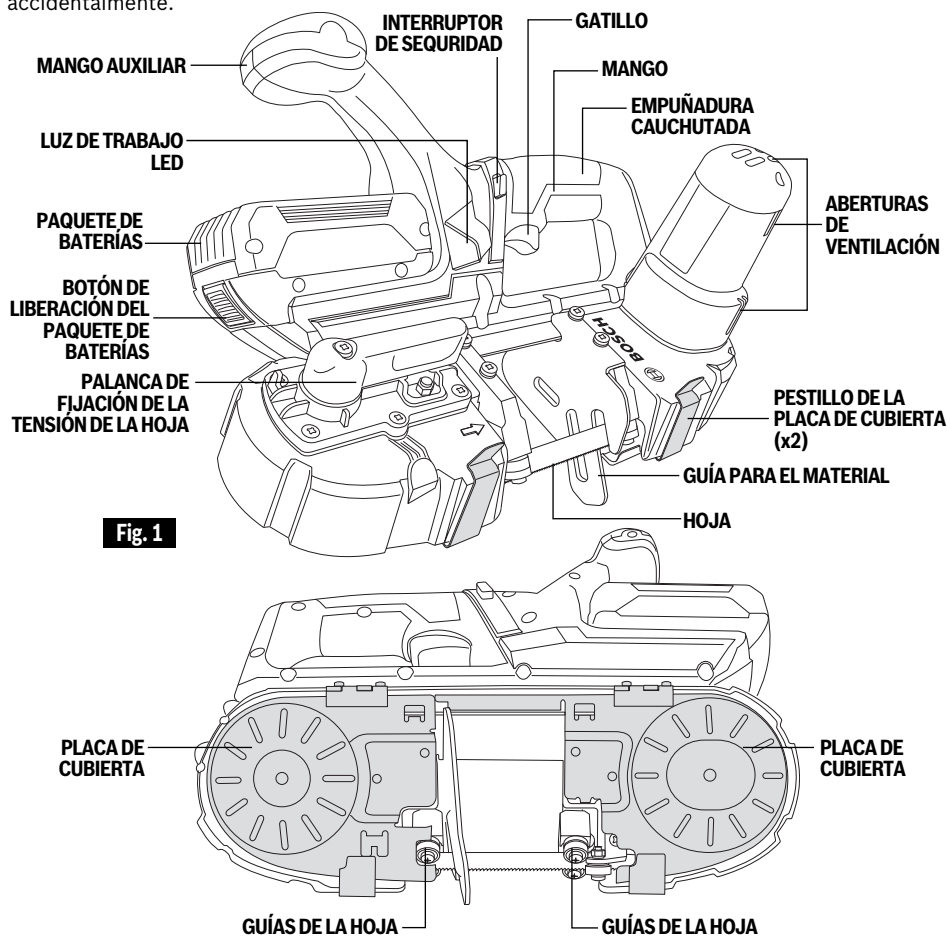
**Importante:** Es posible que algunos de los símbolos siguientes se usen en su herramienta. Por favor, estúdielos y aprenda su significado. La interpretación adecuada de estos símbolos le permitirá utilizar la herramienta mejor y con más seguridad.

Símbolo	Désignación / Explicación
	Alerta al usuario para que lea el manual.
	Alerta al usuario para que use protección de los ojos.
	Este símbolo indica que esta herramienta está catalogada por Underwriters Laboratories.
	Este símbolo indica que este componente está reconocido por Underwriters Laboratories.
	Este símbolo indica que Underwriters Laboratories ha catalogado esta herramienta indicando que cumple con las normas estadounidenses y canadienses.
	Este símbolo indica que esta herramienta está catalogada por la Canadian Standards Association.
	Este símbolo indica que la Canadian Standards Association ha catalogado esta herramienta indicando que cumple con las normas estadounidenses y canadienses.
	Este símbolo indica que Intertek Testing Services ha catalogado esta herramienta indicando que cumple con las normas estadounidenses y canadienses.
	Este símbolo indica que esta herramienta cumple con la norma mexicana oficial (NOM).
	Designa el programa de reciclaje de baterías de Li-ion.
	Designa el programa de reciclaje de baterías de Ni-Cd.

## Descripción funcional y especificaciones

**⚠ ADVERTENCIA** Desconecte el paquete de batería de la herramienta antes de realizar cualquier ensamblaje, ajuste o cambio de accesorios.

Dichas medidas preventivas de seguridad reducen el riesgo de arrancar la herramienta accidentalmente.



Sierra de cinta inalámbrica GCB18V-2	
	Tensión nominal 18 V <sup>---</sup>
	Velocidad sin carga ( $n_0$ ) 530/min (PSPM)
	Tamaño de la hoja 28-7/8 x 1/2 x .020 pulg.
Capacidades	Material redondo 2-1/2 pulg.
	Rectangular 2-1/2 x 2-1/2 pulg.
Temperatura ambiente permitida	- durante el proceso de carga 32...113 °F (0...+45 °C)
	- durante la utilización -4...122 °F (-20...+50 °C)
	- durante la almacenamiento 32...122 °F (0...+50 °C)

### Paquetes de batería/Cargadores de baterías

Sírvase consultar la lista de baterías/cargadores incluidas con su herramienta.

## Ensamblaje

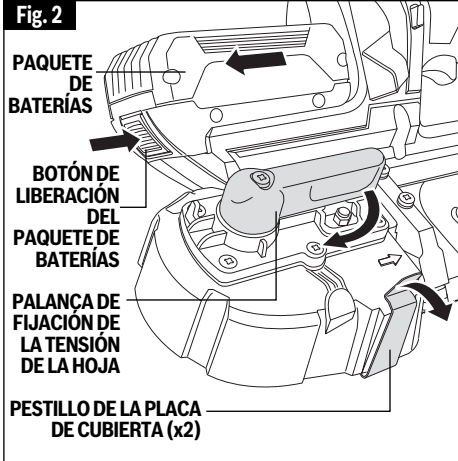
**⚠ ADVERTENCIA** Desconecte el paquete de batería de la herramienta antes de realizar cualquier ensamblaje, ajuste o cambio de accesorios. Dichas medidas preventivas de seguridad reducen el riesgo de arrancar la herramienta accidentalmente.

### ► Introducción y suelta del paquete de baterías

La herramienta está equipada con un pestillo de fijación secundario para impedir que dicho paquete se caiga y salga completamente del mango, en caso de que se afloje debido a la vibración.

Para quitar el paquete de baterías, oprima el botón de liberación del paquete de baterías y deslice dicho paquete hacia delante.

Oprima de nuevo el botón de liberación del paquete de baterías y deslice dicho paquete completamente hacia afuera hasta sacarlo de la carcasa de la herramienta (Fig. 2).



en el sentido de las agujas del reloj para aflojar la tensión de la hoja (Fig. 2).

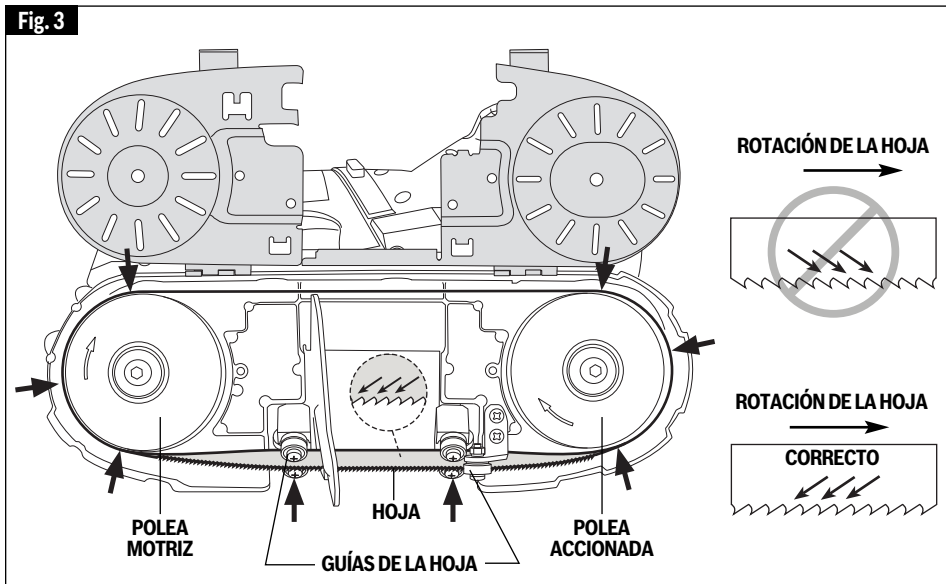
- Libere los pestillos de la placa de cubierta y abra completamente dicha placa. (Fig. 2 y 3).
- Jale la hoja hacia fuera de las guías y retírela de las poleas (Fig. 3).

### ► Remoción de la hoja

- Coloque la sierra en una superficie plana y resistente. Gire la palanca de fijación de la tensión de la hoja 180°

### ► Instalación de la hoja

- Presione firmemente la hoja entre las guías y encámínela alrededor de las



## Ensamblaje

- poleas. **Nota:** asegúrese de que los dientes estén orientados hacia arriba y apuntando en el mismo sentido que la flecha de rotación (Fig. 3).
2. Gire la palanca de fijación de la tensión de la hoja 180° en sentido contrario al de las agujas del reloj para apretar la hoja sobre las poleas (Fig. 2).
  3. Asegúrese de que la hoja quede ubicada libremente dentro de la pista para la hoja antes de arrancar la sierra.
  4. Cierre la placa de cubierta.

### ► Hojas y selección de la hoja

Las dimensiones de la hoja requeridas para esta sierra son: 0.020 pulgadas de grosor, 1/2 pulgada de ancho y 28-3/4 pulgadas de longitud. El grosor de 0.020 pulgadas reduce la fatiga de la hoja y brinda la máxima vida útil de los dientes. Para prolongar al máximo la vida útil de corte, utilice una hoja con el triscado (pies por pulgada) correcto para el trabajo de corte específico.

Las hojas están disponibles en varios triscados. Para seleccionar la hoja adecuada se deben considerar tres factores: El tamaño, la forma y el tipo de material que se va a cortar.

Las siguientes sugerencias tienen como fin seleccionar la hoja adecuada para diversas operaciones de corte. Tenga presente que estas sugerencias son pautas generales y que los requisitos de la hoja varían dependiendo del tamaño, la forma y el tipo específicos de material que se va a cortar.

10 dientes por pulgada

Para material resistente desde 3/16 de pulgada hasta 3-1/4 pulg. de diámetro o anchura.

14 dientes por pulgada

Para material resistente desde 5/32 de pulgada hasta 3/4 de pulg. de diámetro o anchura.

18 dientes por pulgada

Para tubo de pared delgada y láminas delgadas con un grosor superior al calibre 21.

24 dientes por pulgada

Para tubo de pared delgada y láminas delgadas con un grosor superior al calibre 21.

Generalmente, los materiales blandos requieren una hoja de triscado grueso y los materiales blandos requieren hojas de triscado fino. Utilice hojas de triscado grueso para madera gruesa y hojas de triscado delgado para piezas de trabajo delgadas. Es importante mantener al menos tres dientes en el corte (consulte "Aplicación típica").

## Instrucciones de funcionamiento

**⚠ ADVERTENCIA** Desconecte el paquete de batería de la herramienta antes de realizar cualquier ensamblaje, ajuste o cambio de accesorios. Dichas medidas preventivas de seguridad reducen el riesgo de arrancar la herramienta accidentalmente.

### ► Mango auxiliar

La herramienta debe ser soportada con el mango auxiliar (Fig. 1).

### ► Luz de trabajo led

Esta herramienta está equipada con una luz que se enciende automáticamente al activar interruptor, para brindar mejor visibilidad durante la operación.

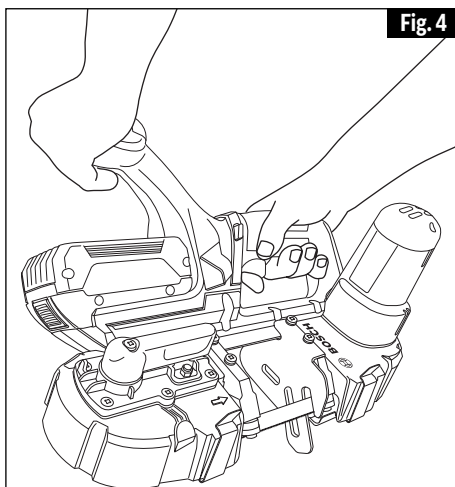


Fig. 4

## Instrucciones de funcionamiento

La luz no requiere mantenimiento y fue diseñada para durar toda la vida útil de la herramienta (Fig. 1).

### ► Interruptor de seguridad

El interruptor de seguridad está diseñado para prevenir arranques accidentales. Para accionar el interruptor de seguridad, oprima el botón de liberación con el dedo pulgar en cualquiera de los dos lados del mango para desacoplar el cierre y luego apriete el gatillo (Fig. 1). Al soltar el gatillo, el botón acoplará el interruptor de seguridad automáticamente y el gatillo dejará de funcionar.

### ► Guía de interruptor

**▲ ADVERTENCIA** Al arrancar la herramienta, sujétela con las dos manos. El par de fuerzas del motor puede hacer que la herramienta se tuerza.

Para encender la herramienta (posición "ON"), apriete el interruptor gatillo. Para apagar la herramienta (posición "OFF"), suelte el interruptor gatillo, que está accionado por muelle, y volverá a la posición "off" automáticamente.

La sierra debe funcionar a toda velocidad ANTES de comenzar el corte y se debe apagar únicamente DESPUES que se haya terminado el corte. Para aumentar la vida del interruptor, no apague y encienda el interruptor mientras esté cortando.

### ► Cortes generales

Sujete siempre el mango de la sierra con una mano y el mango auxiliar o la caja protectora con la otra (Fig. 4).

Agarre firmemente y accione el interruptor con una acción decidida. Nunca fuerce la sierra. Utilice una presión ligera y continua.

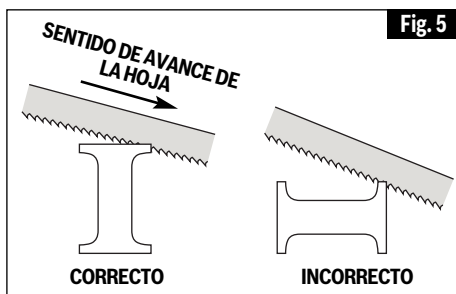


Fig. 5

### ► Aplicación típica

1. Mantenga la hoja separada de la pieza de trabajo hasta que el motor haya alcanzado toda su velocidad.
2. Comience a cortar en una superficie donde el mayor número de dientes vaya a estar en contacto a la vez con la pieza de trabajo (Fig. 5).
3. Coloque la guía para el material contra la pieza de trabajo y baje la hoja de sierra, que está en movimiento, hacia el interior del corte.
4. No aplique presión cuando corte. El peso de la herramienta suministrará la presión adecuada para realizar el corte más rápido posible.
5. Cuando esté completando un corte, sujete firmemente la herramienta para que no caiga contra la pieza de trabajo.



## Mantenimiento

**⚠ ADVERTENCIA** Para evitar accidentes, desconecte siempre el paquete de batería de la herramienta antes de realizar servicio de ajustes y reparaciones o limpieza.

### ► Almacenamiento

Cuando almacene la herramienta por un largo período de tiempo, gire la palanca de fijación de la tensión de la hoja 90° en el sentido de las agujas del reloj para aflojar la tensión de la hoja (Capítulo “REMOCIÓN DE LA HOJA”). Esto extenderá la vida útil de la hoja.

Cuando retorne la sierra al modo de funcionamiento, recuerde girar la palanca de fijación de la tensión de la hoja 90° en sentido contrario al de las agujas del reloj para apretar la hoja sobre las poleas. Abra la placa de cubierta para realizar una inspección y asegurarse de que la hoja esté ubicada libremente dentro de la pista para la hoja antes de arrancar la sierra. Cierre la placa de cubierta. Consulte el capítulo “INSTALACIÓN DE LA HOJA” para obtener más información.

### ► Servicio

**⚠ ADVERTENCIA** NO HAY PIEZAS EN EL INTERIOR QUE PUEDAN SER AJUSTADAS O REPARADAS POR EL USUARIO. El mantenimiento preventivo realizado por personal no autorizado puede dar lugar a la colocación incorrecta de cables y componentes internos que podría constituir un peligro serio. Recomendamos que todo el servicio de las herramientas sea realizado en un Centro de servicio de fábrica Bosch o en una Estación de servicio Bosch autorizada.

### ► Baterías

**Esté alerta a los paquetes de baterías que estén aproximándose al final de su vida útil.** Si observa una disminución del rendimiento de la herramienta o un tiempo de funcionamiento significativamente más corto entre cargas, entonces ha llegado el momento de cambiar el paquete de baterías. Si no se hace esto, el resultado puede ser que la herramienta funcione incorrectamente o que el cargador se dañe.

### ► Lubricación de las herramientas

Su herramienta Bosch ha sido lubricada adecuadamente y está lista para la utilización.

### ► Motores “corriente directa”

El motor de la herramienta ha sido diseñado para muchas horas de servicio fiable. Para mantener un rendimiento óptimo del motor, recomendamos que éste sea examinado cada seis meses. Sólo se debe usar un motor de repuesto Bosch genuino diseñado especialmente para la herramienta.

### ► Limpieza

**⚠ PRECAUCIÓN** Ciertos agentes de limpieza y disolventes dañan las piezas de plástico. Algunos de estos son: gasolina, tetracloruro de carbono, disolventes de limpieza clorados, amoníaco y detergentes domésticos que contienen amoníaco.

Las aberturas de ventilación y las palancas de interruptor deben mantenerse limpias y libres de materias extrañas. No intente limpiar introduciendo objetos puntiagudos a través de las aberturas.

## Notes / Remarques / Notas

This page was intentionally left blank  
Cette page a été laissée vierge intentionnellement.  
Esta página se dejó intencionalmente en blanco

## Notes / Remarques / Notas

This page was intentionally left blank  
Cette page a été laissée vierge intentionnellement.  
Esta página se dejó intencionalmente en blanco

**LIMITED WARRANTY OF BOSCH PORTABLE AND BENCHTOP POWER TOOLS**

Robert Bosch Tool Corporation ("Seller") warrants to the original purchaser only, that all BOSCH portable and benchtop power tools will be free from defects in material or workmanship for a period of one year from date of purchase. SELLER'S SOLE OBLIGATION AND YOUR EXCLUSIVE REMEDY under this Limited Warranty and, to the extent permitted by law, any warranty or condition implied by law, shall be the repair or replacement of parts, without charge, which are defective in material or workmanship and which have not been misused, carelessly handled, or misrepaired by persons other than Seller or Authorized Service Station. To make a claim under this Limited Warranty, you must return the complete portable or benchtop power tool product, transportation prepaid, to any BOSCH Factory Service Center or Authorized Service Station. For Authorized BOSCH Power Tool Service Stations, please refer to your phone directory.

THIS LIMITED WARRANTY DOES NOT APPLY TO ACCESSORY ITEMS SUCH AS CIRCULAR SAW BLADES, DRILL BITS, ROUTER BITS, JIGSAW BLADES, SANDING BELTS, GRINDING WHEELS AND OTHER RELATED ITEMS.

ANY IMPLIED WARRANTIES SHALL BE LIMITED IN DURATION TO ONE YEAR FROM DATE OF PURCHASE. SOME STATES IN THE U.S., SOME CANADIAN PROVINCES DO NOT ALLOW LIMITATIONS ON HOW LONG AN IMPLIED WARRANTY LASTS, SO THE ABOVE LIMITATION MAY NOT APPLY TO YOU.

IN NO EVENT SHALL SELLER BE LIABLE FOR ANY INCIDENTAL OR CONSEQUENTIAL DAMAGES (INCLUDING BUT NOT LIMITED TO LIABILITY FOR LOSS OF PROFITS) ARISING FROM THE SALE OR USE OF THIS PRODUCT. SOME STATES IN THE U.S. AND SOME CANADIAN PROVINCES DO NOT ALLOW THE EXCLUSION OR LIMITATION OF INCIDENTAL OR CONSEQUENTIAL DAMAGES, SO THE ABOVE LIMITATION OR EXCLUSION MAY NOT APPLY TO YOU.

THIS LIMITED WARRANTY GIVES YOU SPECIFIC LEGAL RIGHTS, AND YOU MAY ALSO HAVE OTHER RIGHTS WHICH VARY FROM STATE TO STATE IN THE U.S., PROVINCE TO PROVINCE IN CANADA AND FROM COUNTRY TO COUNTRY.

THIS LIMITED WARRANTY APPLIES ONLY TO PORTABLE AND BENCHTOP ELECTRIC TOOLS SOLD WITHIN THE UNITED STATES OF AMERICA, CANADA AND THE COMMONWEALTH OF PUERTO RICO. FOR WARRANTY COVERAGE WITHIN OTHER COUNTRIES, CONTACT YOUR LOCAL BOSCH DEALER OR IMPORTER.

**GARANTIE LIMITÉE DES OUTILS ÉLECTRIQUES PORTATIFS ET D'ÉTABLI BOSCH**

Robert Bosch Tool Corporation (le « vendeur ») garantit à l'acheteur initial seulement que tous les outils électriques portatifs et d'établi BOSCH seront exempts de vices de matériaux ou d'exécution pendant une période d'un an depuis la date d'achat. LA SEULE OBLIGATION DU VENDEUR ET LE SEUL RECOURS DE L'ACHETEUR sous la présente garantie limitée, et en autant que la loi le permette sous toute garantie ou condition implicite qui en découlerait, sera l'obligation de remplacer ou réparer gratuitement les pièces défectueuses matériellement ou comme fabrication, pourvu que lesdites défectosités ne soient pas attribuables à un usage abusif ou à quelque réparation bricolée par quelqu'un d'autre que le vendeur ou le personnel d'une station-service agréée. Pour présenter une réclamation en vertu de cette garantie limitée, vous devez renvoyer l'outil électrique portatif ou d'établi complet, port payé, à tout centre de service agréé ou centre de service usine. Veuillez consulter votre annuaire téléphonique pour les adresses.

LA PRÉSENTE GARANTIE NE S'APPLIQUE PAS AUX ACCESSOIRES TELS QUE LAMES DE SCIES CIRCULAIRES, MÊCHES DE PERCEUSES, FERS DE TOUPIES, LAMES DE SCIES SAUTEUSES, COURROIES DE PONÇAGE, MEULES ET AUTRES ARTICLES DU GENRE.

TOUTE GARANTIE IMPLICITE SERA LIMITÉE COMME DURÉE À UN AN À COMPTER DE LA DATE D'ACHAT. CERTAINS ÉTATS AMÉRICAINS, CERTAINES PROVINCES CANADIENNES N'ADMETTANT PAS LE PRINCIPE DE LA LIMITATION DE LA DURÉE DES GARANTIES IMPLICITES, IL EST POSSIBLE QUE LES LIMITATIONS CI-DESSUS NE S'APPLIQUENT PAS À VOTRE CAS.

EN AUCUN CAS LE VENDEUR NE SAURAIT ÊTRE TENU POUR RESPONSABLE DES INCIDENTS OU DOMMAGES INDIRECTS (INCLUANT, MAIS NE SE LIMITANT PAS AUX PERTES DE PROFITS) CONSÉCUTIFS À LA VENTE OU L'USAGE DE CE PRODUIT. CERTAINS ÉTATS AMÉRICAINS ET CERTAINES PROVINCES CANADIENNES N'ADMETTANT PAS LE PRINCIPE DE LA LIMITATION NI L'EXCLUSION DES DOMMAGES INDIRECTS ET CONSÉQUENTIELS, IL EST POSSIBLE QUE LES LIMITATIONS OU EXCLUSIONS CI-DESSUS NE S'APPLIQUENT PAS À VOTRE CAS.

LA PRÉSENTE GARANTIE VOUS ACCORDE DES DROITS BIEN DÉTERMINÉS, Y COMPRIS POSSIBLEMENT CERTAINS DROITS VARIABLES DANS LES DIFFÉRENTS ÉTATS AMÉRICAINS, PROVINCES CANADIENNE ET DE PAYS À PAYS.

CETTE GARANTIE LIMITÉE NE S'APPLIQUE QU'AUX OUTILS ÉLECTRIQUES PORTATIFS ET D'ÉTABLI VENDUS AUX ÉTATS-UNIS D'AMÉRIQUE, AU CANADA ET AU COMMONWEALTH DE PORTO RICO. POUR COUVERTURE DE GARANTIE DANS LES AUTRES PAYS, CONTACTEZ VOTRE IMPORTATEUR OU REVENDEUR BOSCH LOCAL.

**GARANTIA LIMITADA PARA HERRAMIENTAS MECANICAS PORTATILES Y PARA TABLERO DE BANCO BOSCH**

Robert Bosch Tool Corporation ("el Vendedor") garantiza, únicamente al comprador original, que todas las herramientas mecánicas portátiles y para tablero de banco BOSCH estarán libres de defectos de material o de fabricación durante un periodo de un año a partir de la fecha de compra. LA ÚNICA OBLIGACION DEL VENDEADOR Y EL RECURSO EXCLUSIVO QUE USTED TIENE bajo esta Garantía Limitada y, hasta donde la ley lo permita, bajo cualquier garantía o condición implícita por ley, consistirá en la reparación o sustitución sin costo de las piezas que presenten defectos de material o de fabricación y que no hayan sido utilizadas incorrectamente, manejadas descuidadamente o reparadas incorrectamente por personas que no sean el Vendedor o una Estación de servicio autorizada. Para efectuar una reclamación bajo esta Garantía Limitada, usted debe devolver el producto, que consiste en la herramienta mecánica portátil o para tablero de banco completa, con el transporte pagado, a cualquier Centro de servicio de fábrica o Estación de servicio autorizada. Para Estaciones de servicio autorizadas de herramientas mecánicas BOSCH, por favor, consulte el directorio telefónico.

ESTA GARANTIA LIMITADA NO SE APLICA A ARTICULOS ACCESORIOS TALES COMO HOJAS PARA SIERRAS CIRCULARES, BROCAS PARA TALADROS, BROCAS PARA FRESADORAS, HOJAS PARA SIERRAS DE VAIVEN, CORREAS PARA LIJAR, RUEDAS DE AMOLAR Y OTROS ARTICULOS RELACIONADOS.

TODAS LAS GARANTIAS IMPLICITAS TENDRAN UNA DURACION LIMITADA A UN AÑO A PARTIR DE LA FECHA DE COMPRA. ALGUNOS ESTADOS DE LOS EE.UU. Y ALGUNAS PROVINCIAS CANADIENSES NO PERMITEN LIMITACIONES EN CUANTO A LA DURACION DE UNA GARANTIA IMPLICITA, POR LO QUE ES POSIBLE QUE LA LIMITACION ANTERIOR NO SEA APLICABLE EN EL CASO DE USTED.

EL VENDEADOR NO SERA RESPONSABLE EN NINGUN CASO DE NINGUN DAÑO INCIDENTAL O EMERGENTE (INCLUYENDO PERO NO LIMITADO A RESPONSABILIDAD POR PERDIDA DE BENEFICIOS) QUE SE PRODUZCA COMO CONSECUENCIA DE LA VENTA O UTILIZACION DE ESTE PRODUCTO. ALGUNOS ESTADOS DE LOS EE.UU. Y ALGUNAS PROVINCIAS CANADIENSES NO PERMITEN LA EXCLUSION O LIMITACION DE LOS DAÑOS INCIDENTALES O EMERGENTES, POR LO QUE ES POSIBLE QUE LA LIMITACION O EXCLUSION ANTERIOR NO SEA APLICABLE EN EL CASO DE USTED.

ESTA GARANTIA LIMITADA LE CONFIERE A USTED DERECHOS LEGALES ESPECIFICOS Y ES POSIBLE QUE USTED TAMBIEN TENGA OTROS DERECHOS QUE VARIAN DE ESTADO A ESTADO EN LOS EE.UU., DE PROVINCIA A PROVINCIA EN CANADA Y DE UN PAIS A OTRO.

ESTA GARANTIA LIMITADA SE APLICA SOLAMENTE A HERRAMIENTAS ELECTRICAS PORTATILES Y PARA TABLERO DE BANCO VENDIDAS EN LOS ESTADOS UNIDOS DE AMERICA, CANADA Y EL ESTADO LIBRE ASOCIADO DE PUERTO RICO. PARA COBERTURA DE GARANTIA EN OTROS PAISES, PONGASE EN CONTACTO CON SU DISTRIBUIDOR O IMPORTADOR LOCAL DE BOSCH.

© Robert Bosch Tool Corporation 1800 W. Central Road Mt. Prospect, IL 60056-2230

Exportado por: Robert Bosch Tool Corporation Mt. Prospect, IL 60056-2230, E.U.A.

Importado en México por: Robert Bosch, S.A. de C.V., Calle Robert Bosch No. 405, Zona Industrial, Toluca, Edo. de México, C.P. 50070, Tel. (722) 2792300



2 6 1 0 0 5 2 9 6 6

2610052966 08/19